

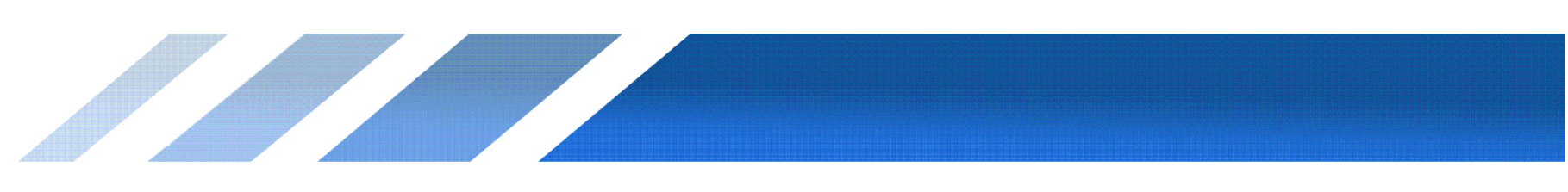
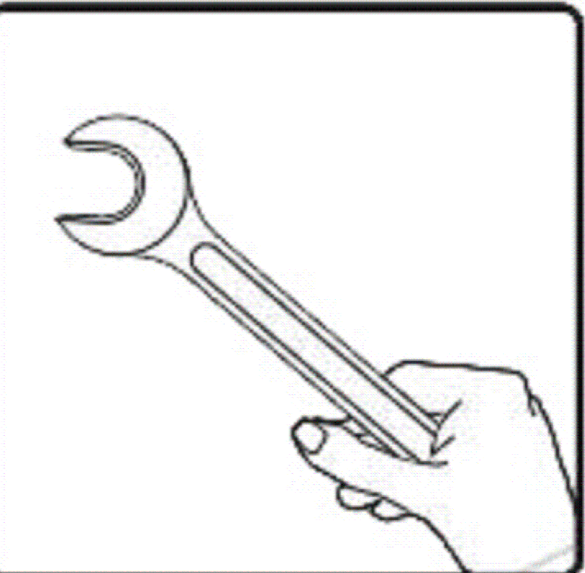
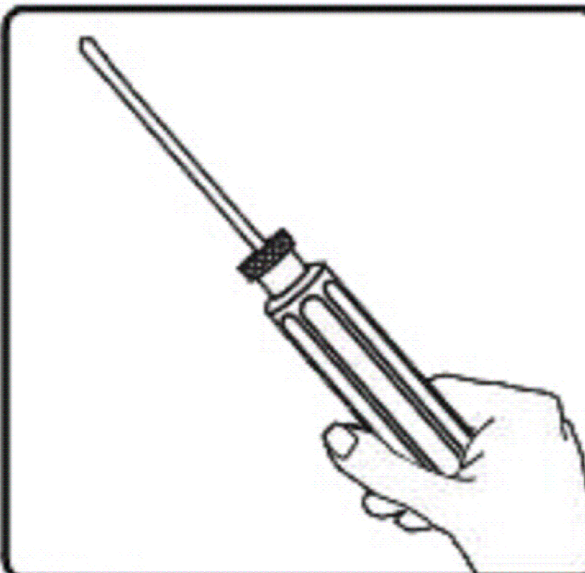
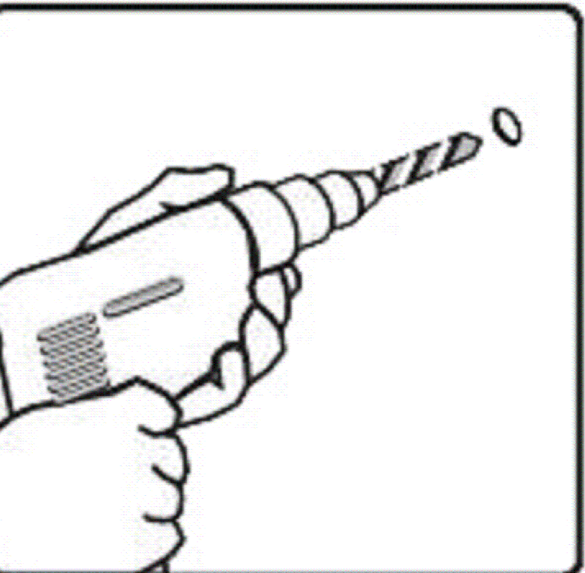
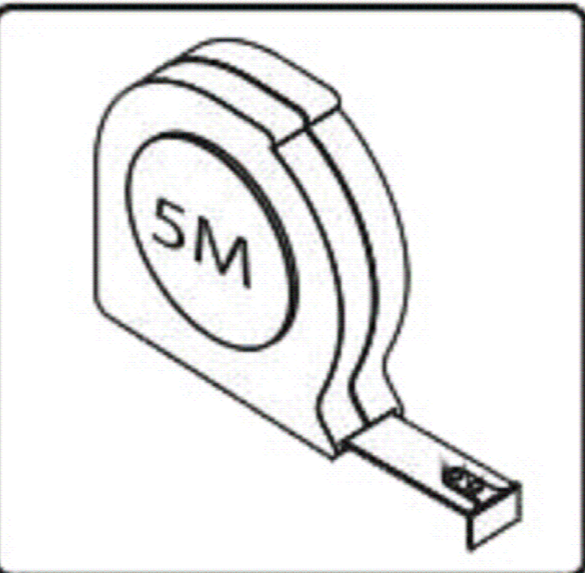
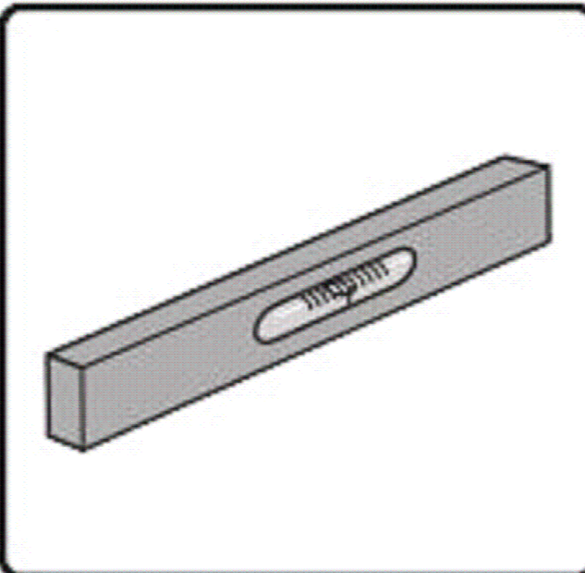
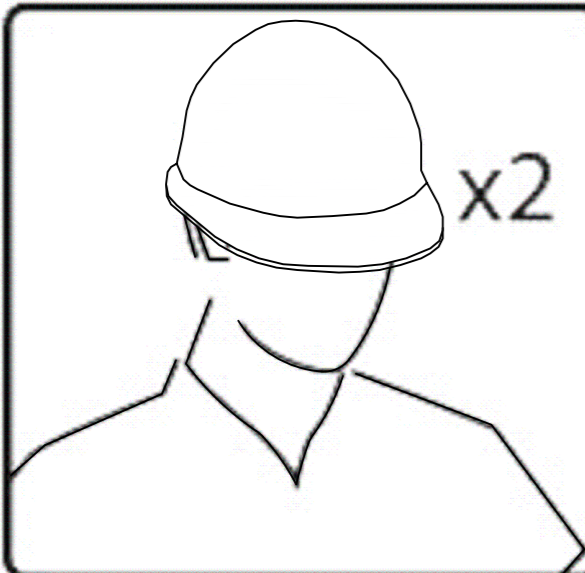
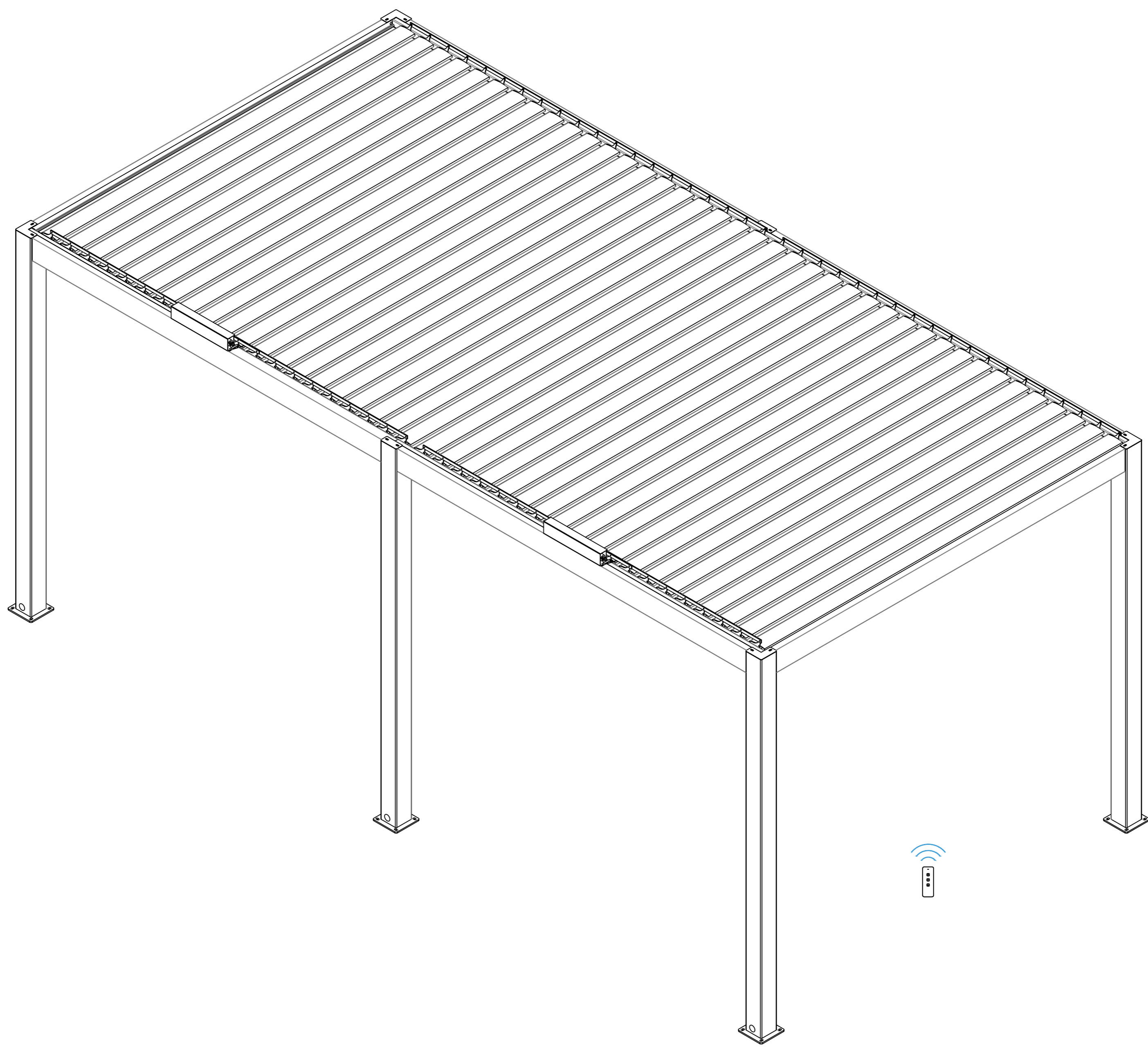


LIVING CULTURE

BIOCLIMATIC PERGOLA FREE STANDING 6 POSTS

**MOTORIZED 7×3m**

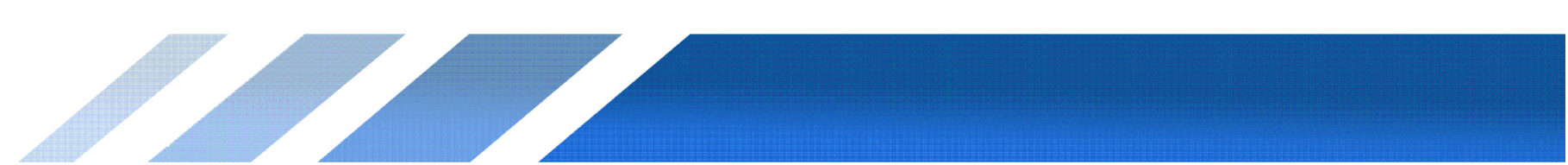




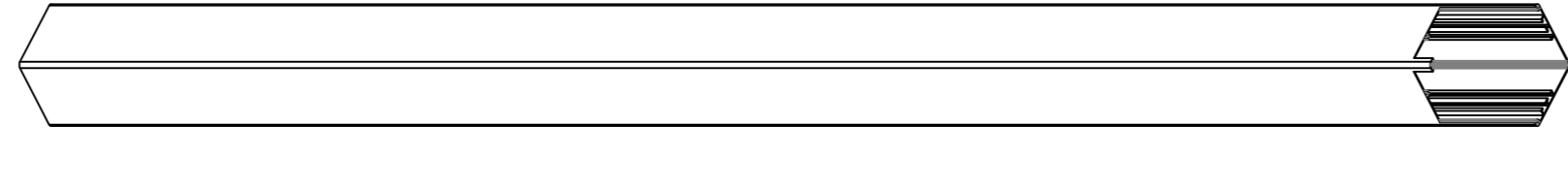
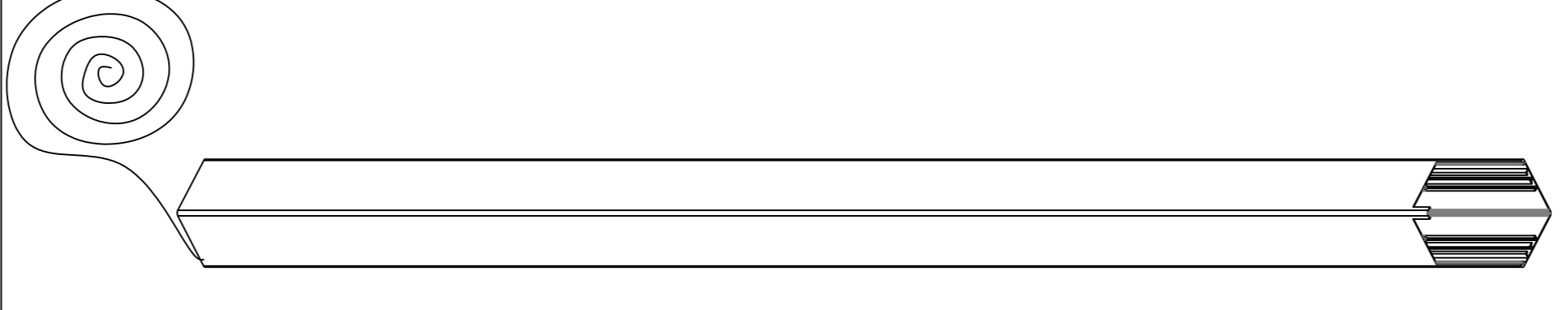
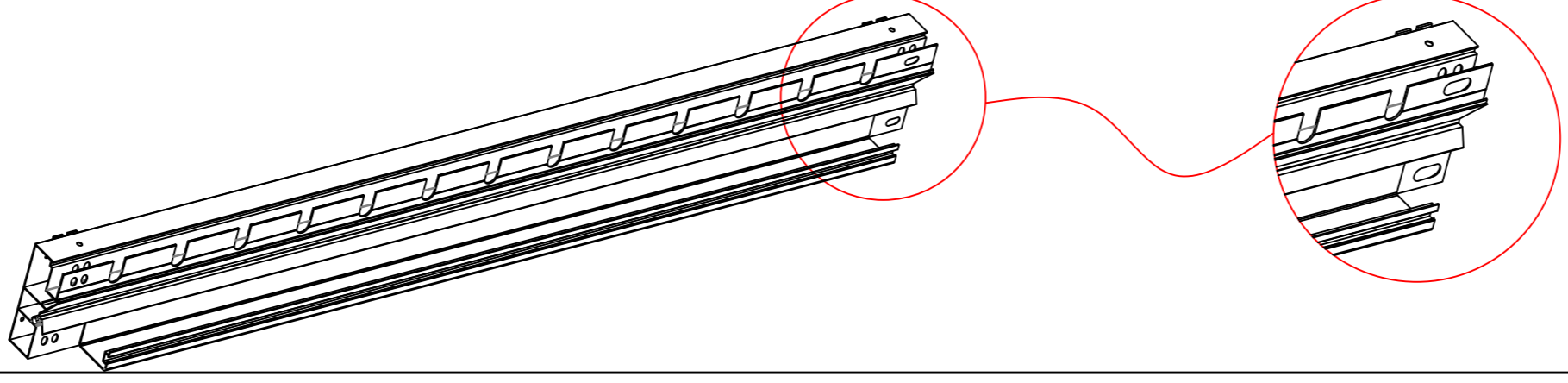
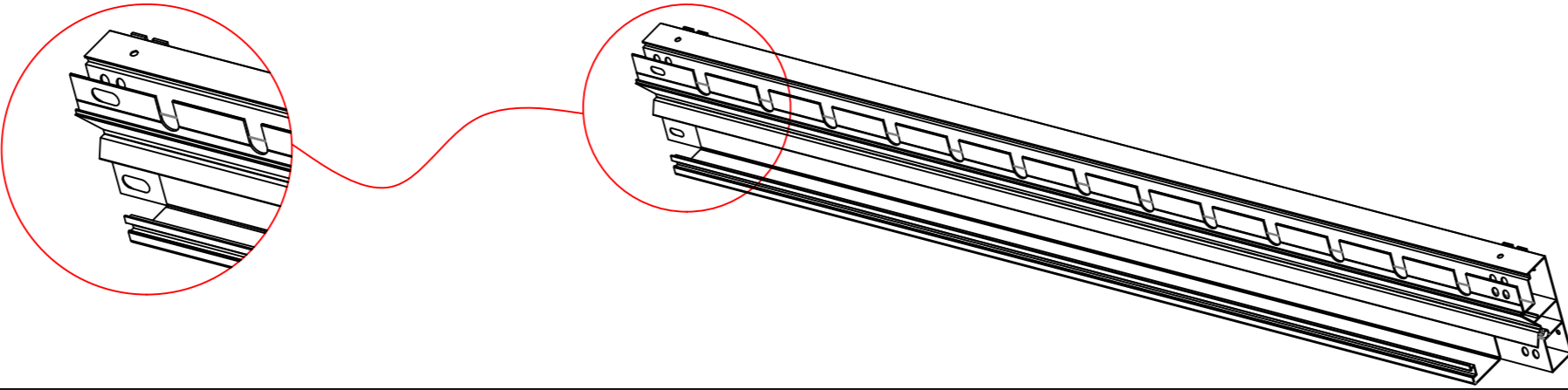
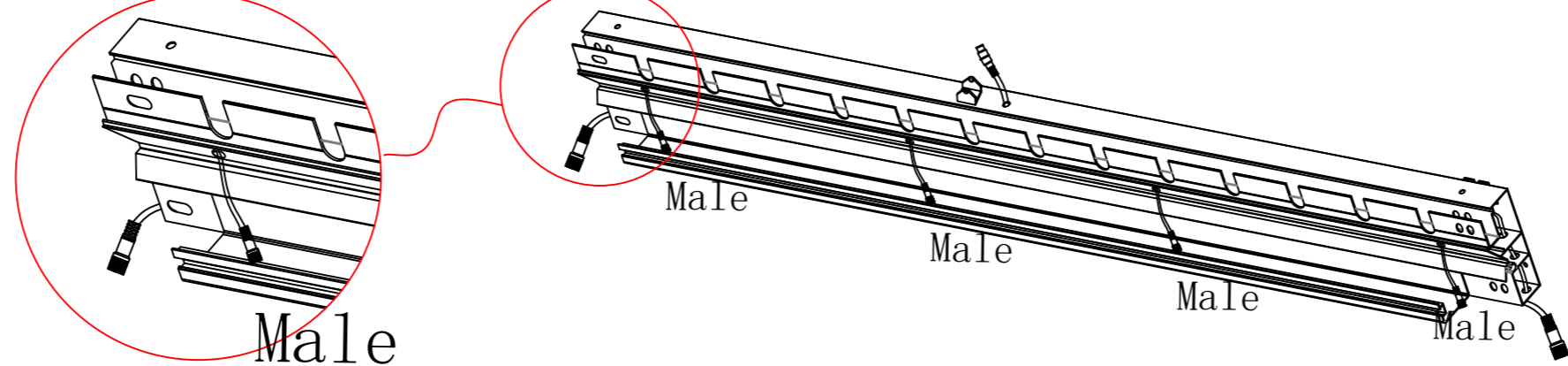
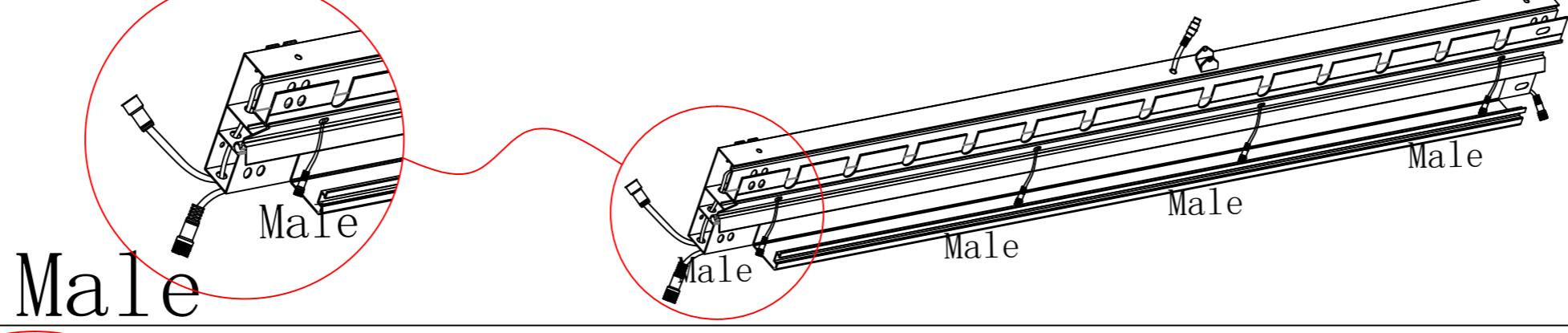
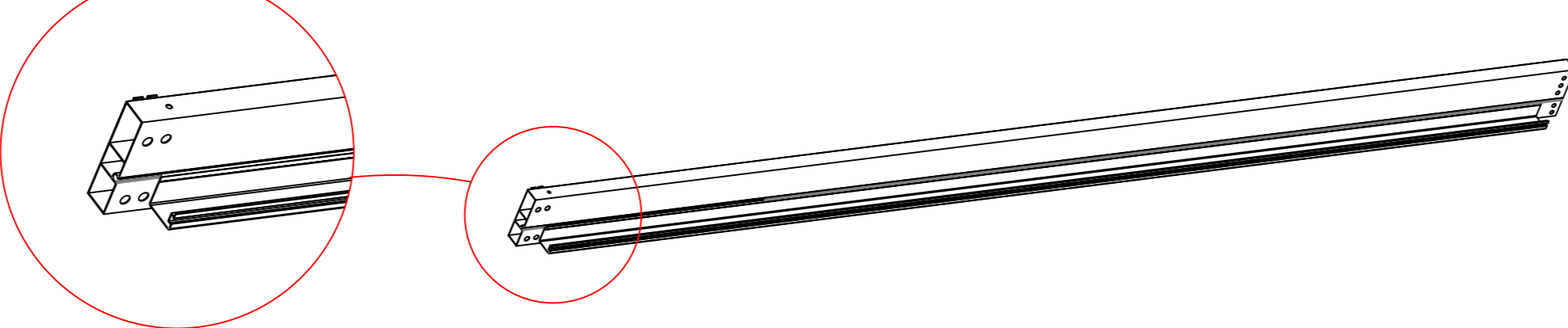
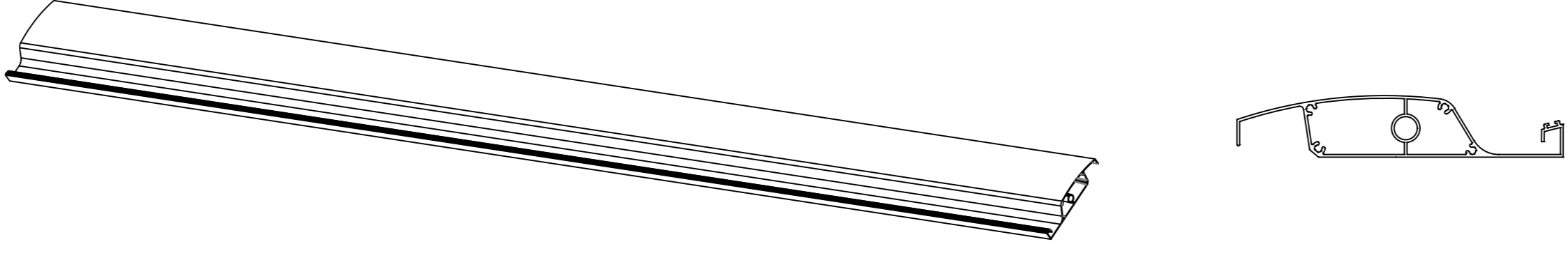
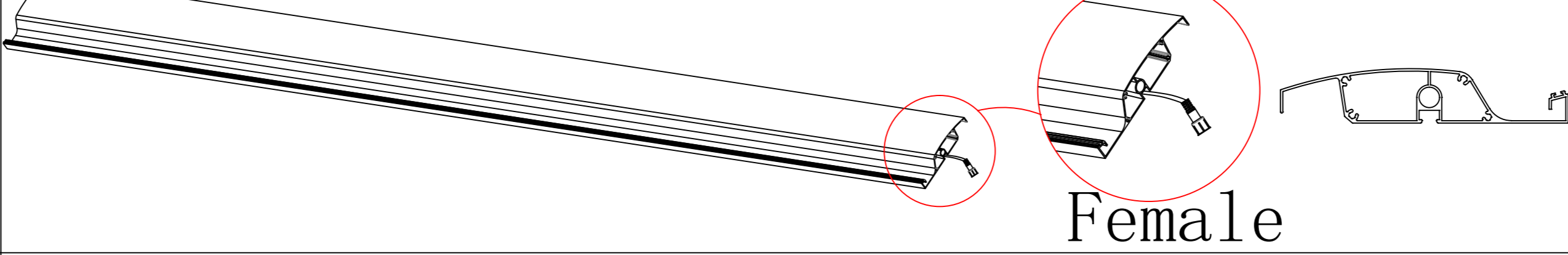


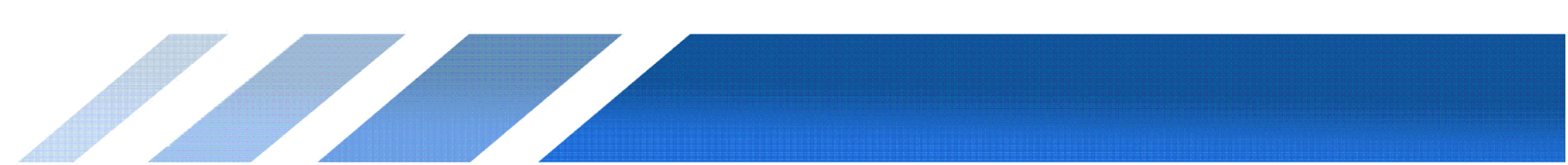
# 7×3m

	Item	Qty	Item	Qty	Item	Qty	Item	Qty
Carton 1/5	3B-01/ 01B	4	3B-60	2	3B-11	4	3B-12	4
	3B-13	6	3B-14	2	3B-18	1	3B-19	12
	3B-20	84	3B-20B	8	3B-21	24	3B-22	36
	3B-23	20	3B-24	1	3B-26	2	3B-30	2
	3B-31	2	3B-32	2	3B-33	2	3B-45	8
	3B-45B	8	3B-46a	2	3B-46b	4	3B-48	38
	3B-48B	8	3B-49	38	3B-49B	8	3B-51	368
	3B-57	8	3B-58	1	3B-59	2		
Carton 2/5	3B-02	1	3B-02-2	1	3B-03	1	3B-03-2	1
	3B-08A /B/C/D	4	3B-09	4	3B-06	9		
Carton 3/5	3B-07	8	3B-06	10				
Carton 4/5	3B-06	18						
Carton 5/5	3B-04	2	3B-27	2	3B-06	1		

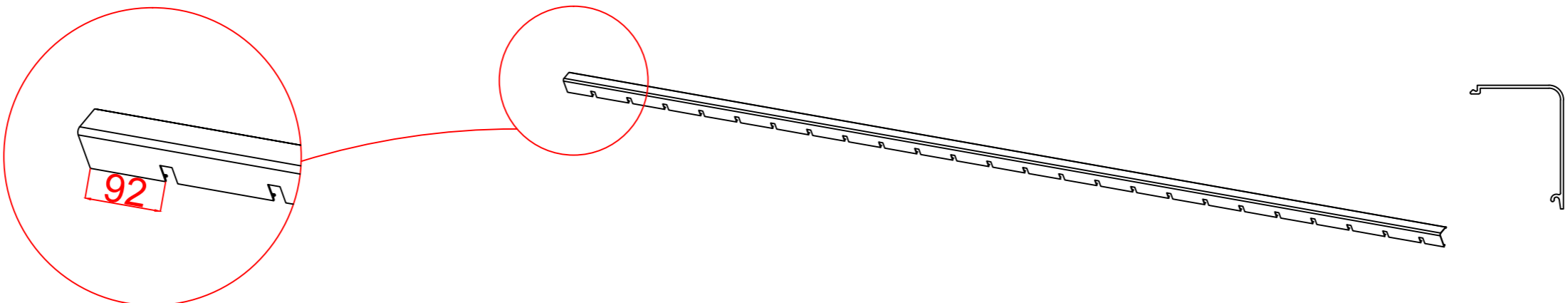
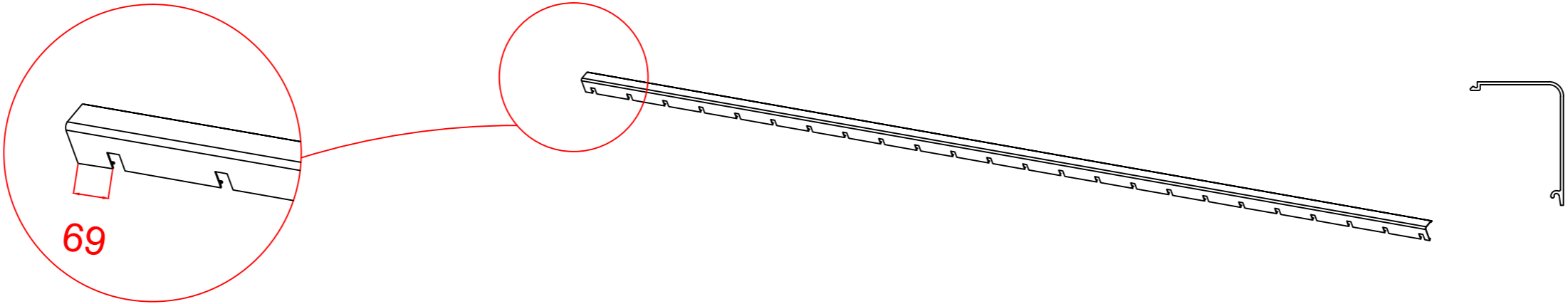
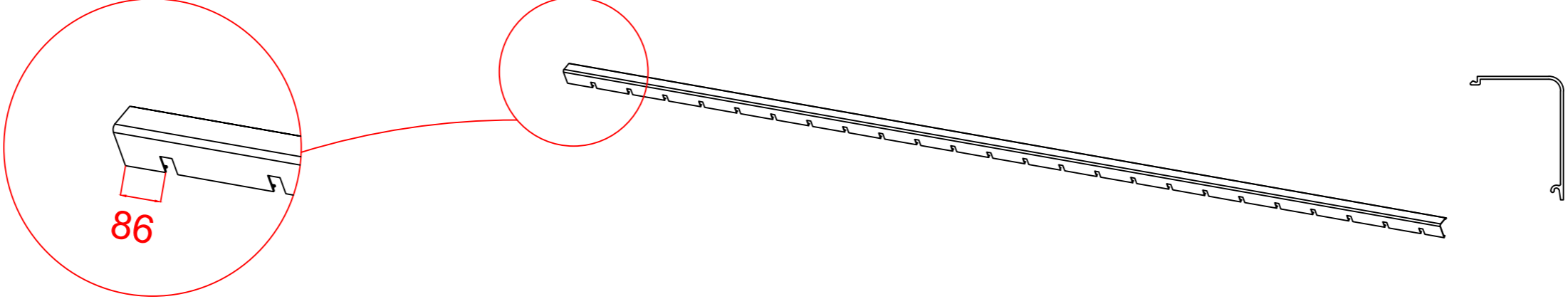
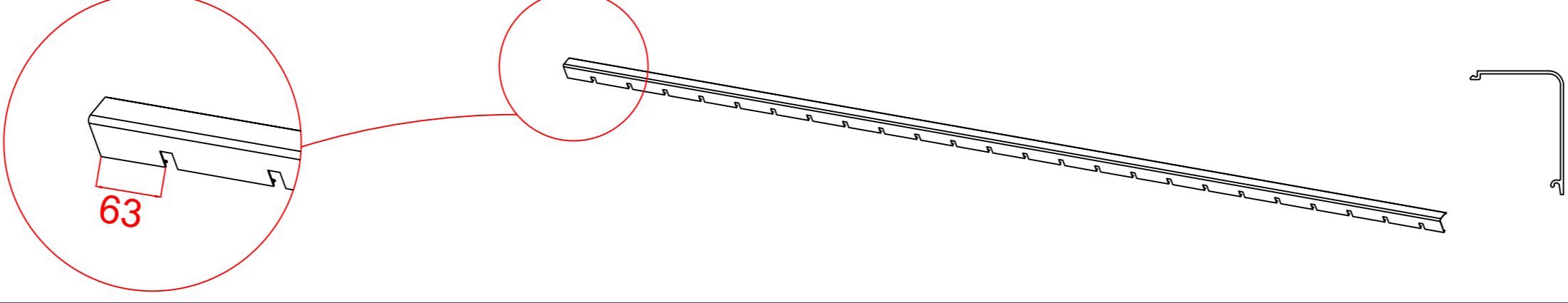
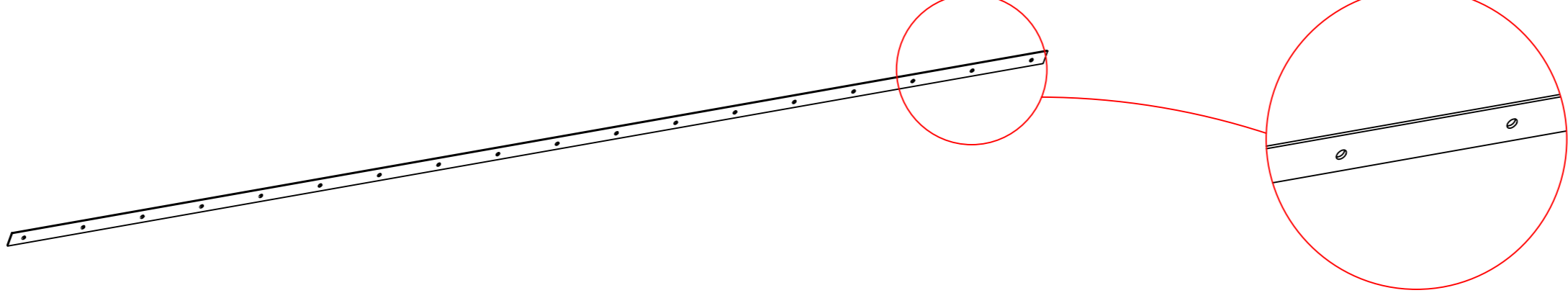
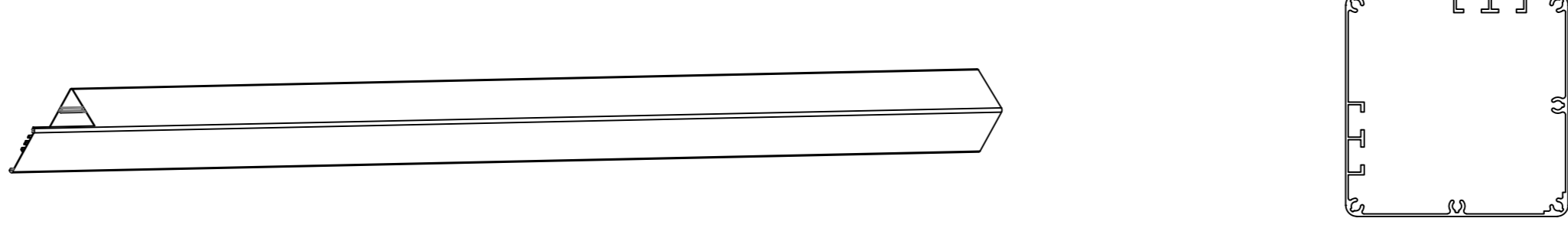


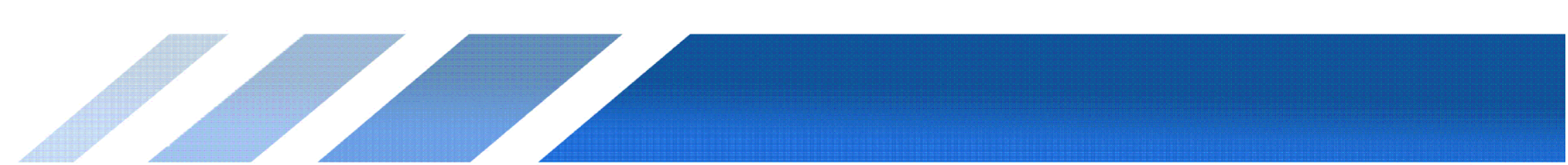


Item	Drawings	Qty
3B-01		2
3B-01B		2
3B-02		1
3B-02-2		1
3B-03		1
3B-03-2		1
3B-04		2
3B-06		38
3B-07		8





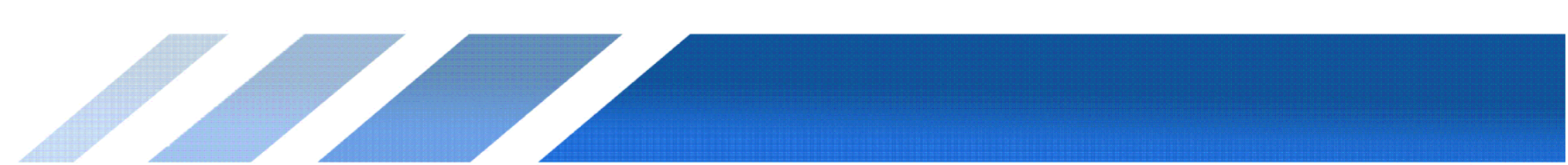
Item	Drawings	Qty
3B-08A		1
3B-08B		1
3B-08C		1
3B-08D		1
3B-09		4
3B-27		2

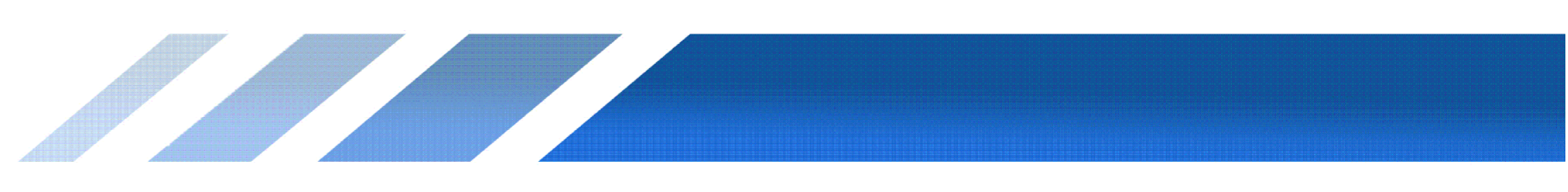
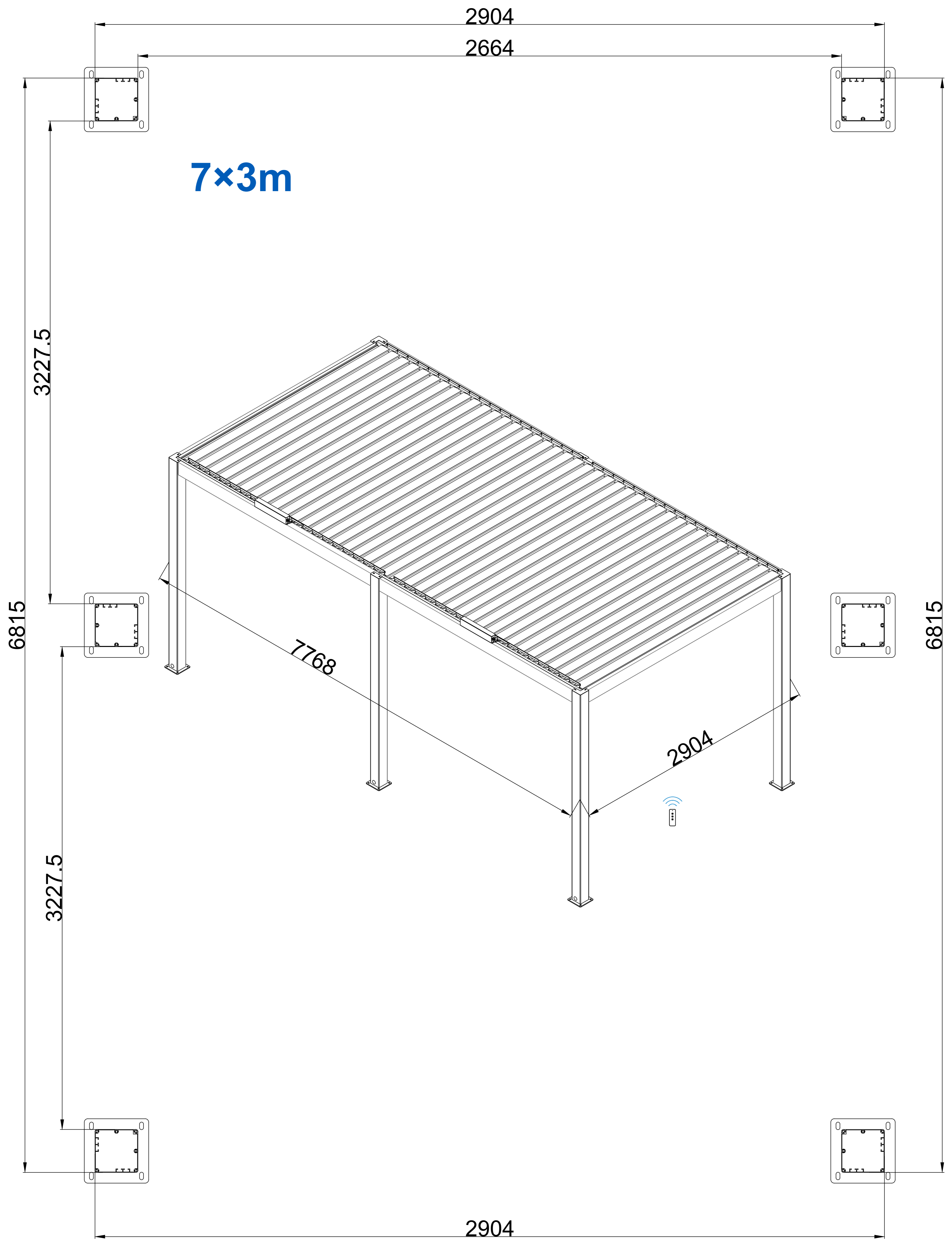


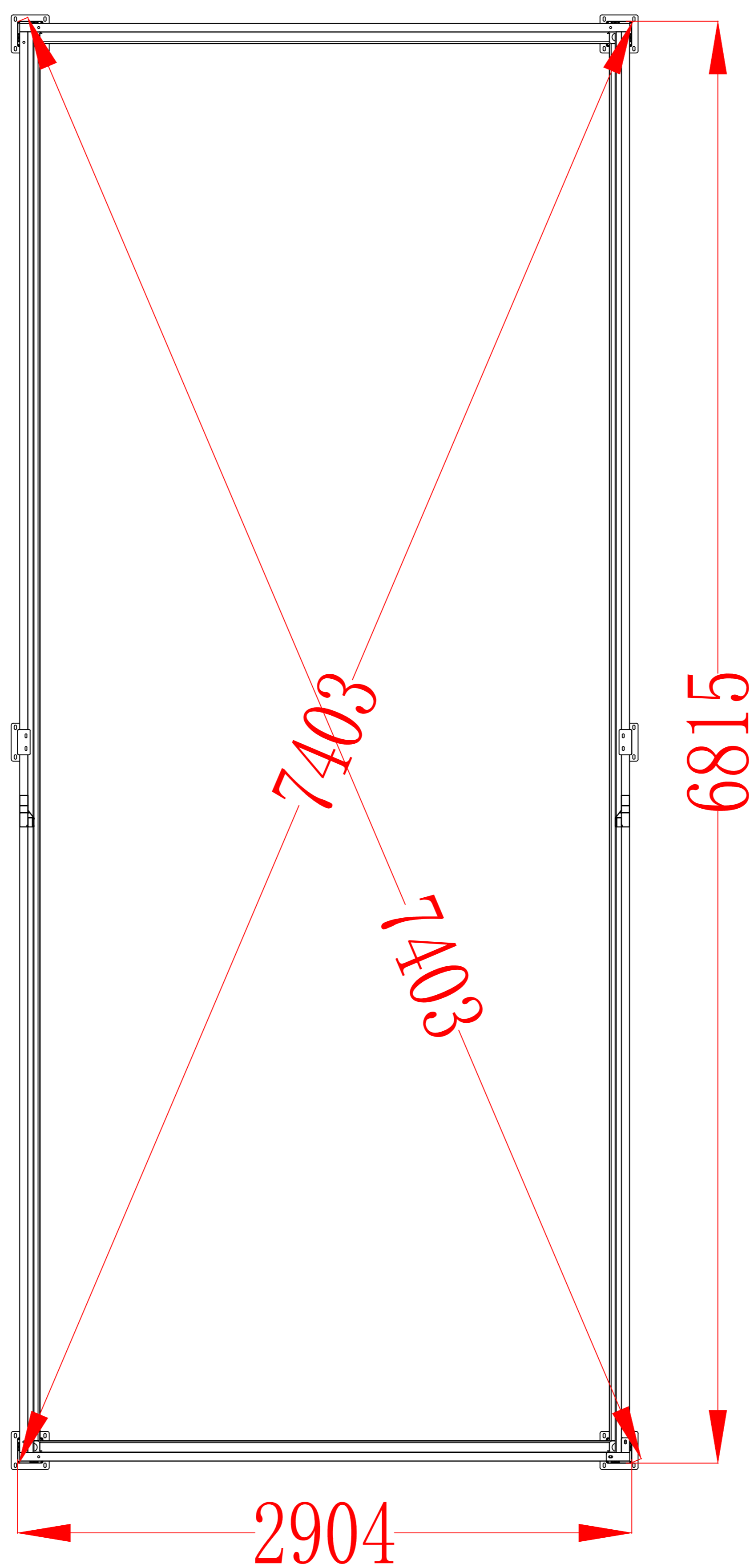


Item	Drawings	Qty
3B-11		4
3B-12		4
3B-13		6
3B-14		2
3B-18		1
3B-19	 M8*20	12+2
3B-20	 5-12-M4	84+2
3B-20B	 5-16-M4	8+2
3B-21	 M10*80	24
3B-22		36+2
3B-23	 M4.2*19	20+2
3B-24		1
3B-26		2
3B-30		2
3B-31		2
3B-32		2

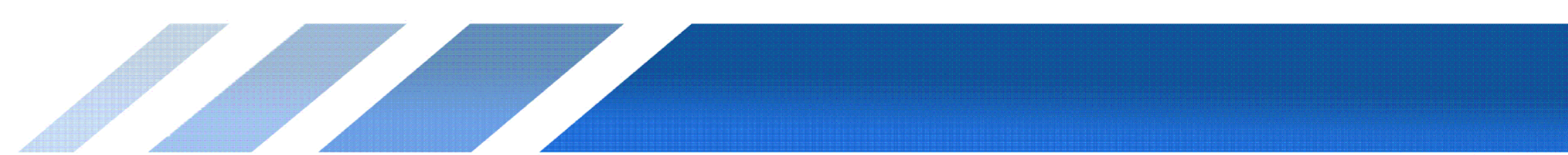
Item	Drawings	Qty
3B-33		2
3B-45	 M8*12	8
3B-45B		8
3B-46a		2
3B-46b		4
3B-48		38
3B-48B		8
3B-49		38
3B-49B		8
3B-51	 M4.2*25	368+4
3B-57		8
3B-58		1
3B-59	 M5*20	2
3B-60	 M4.2*19/8pcs	2







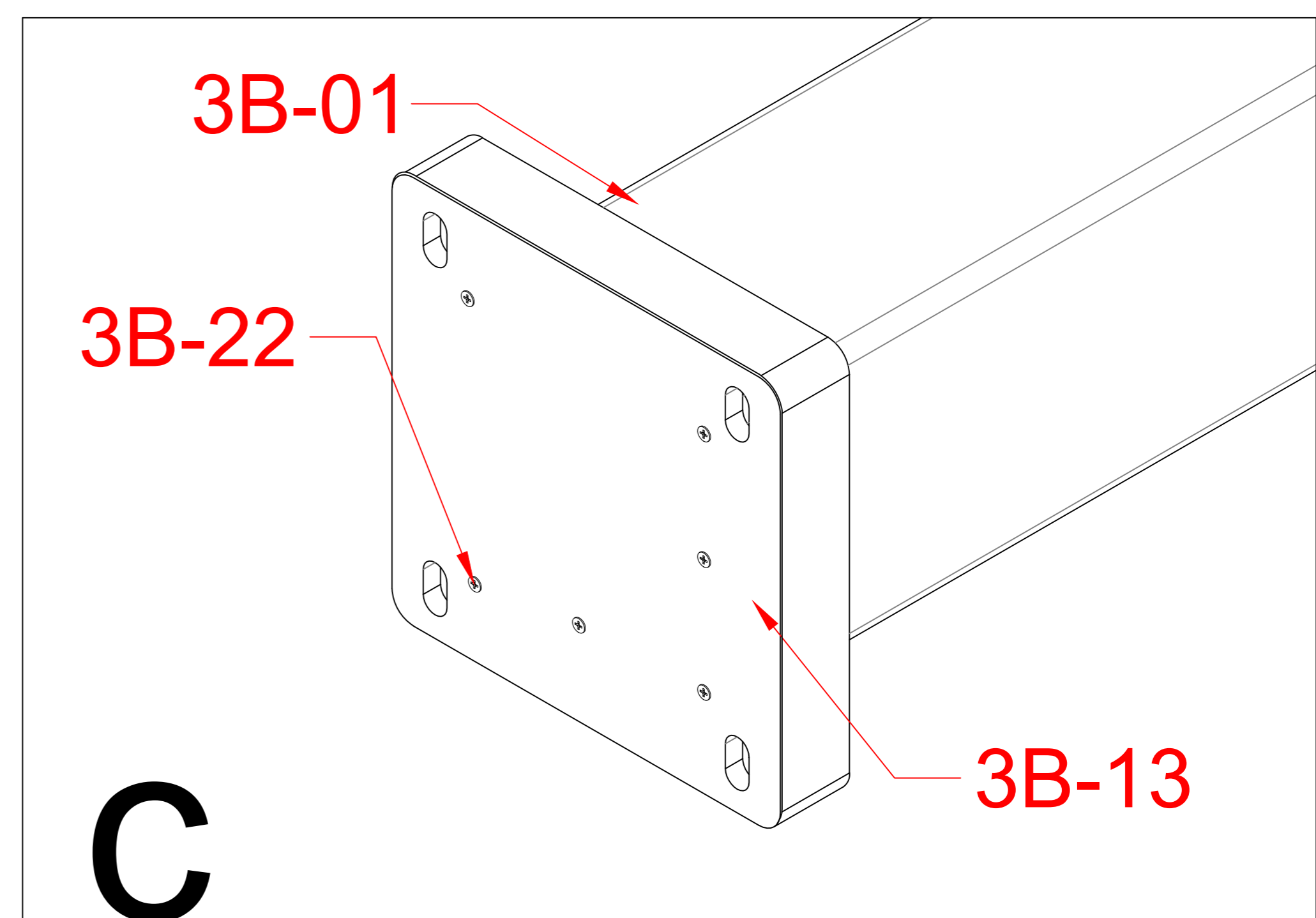
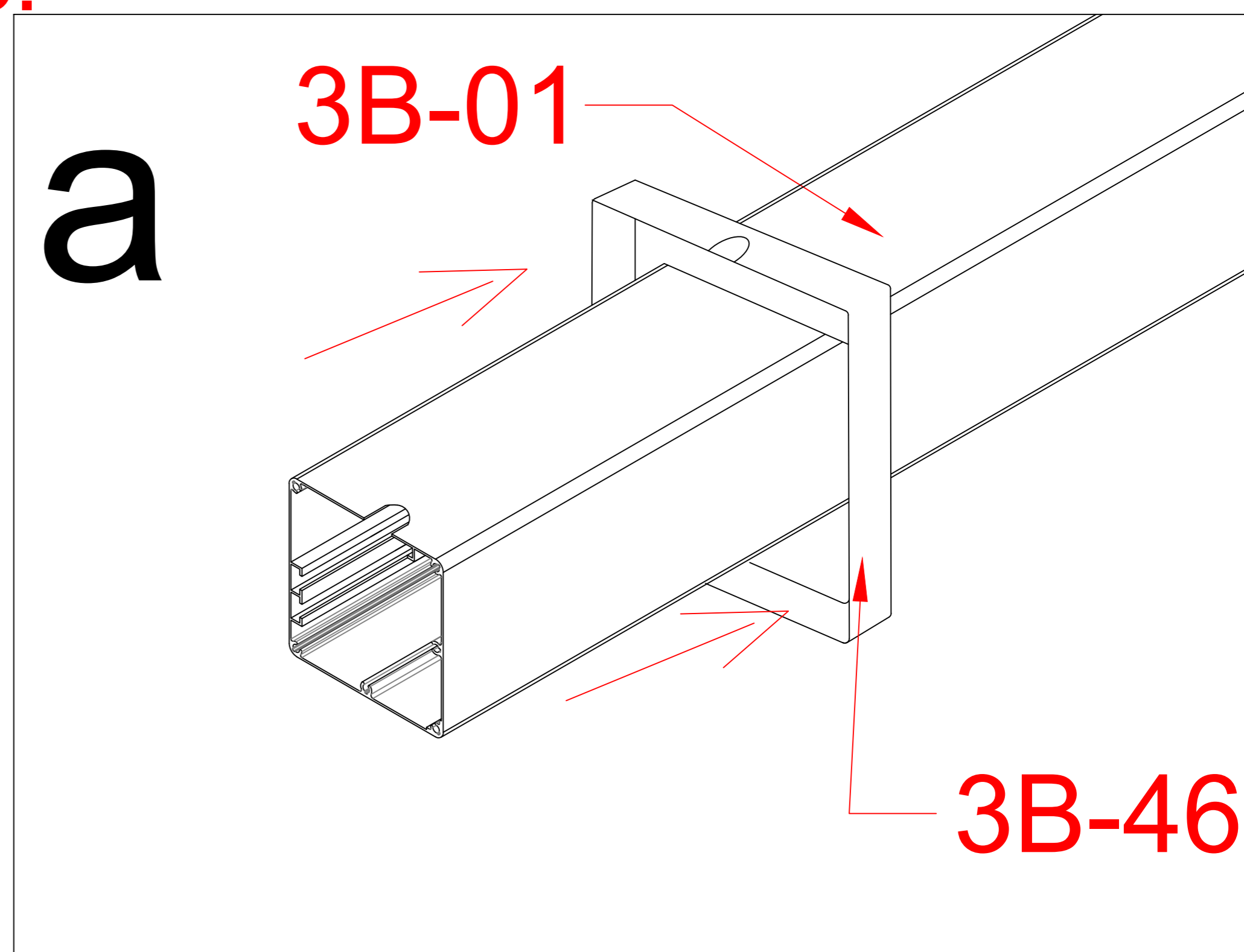
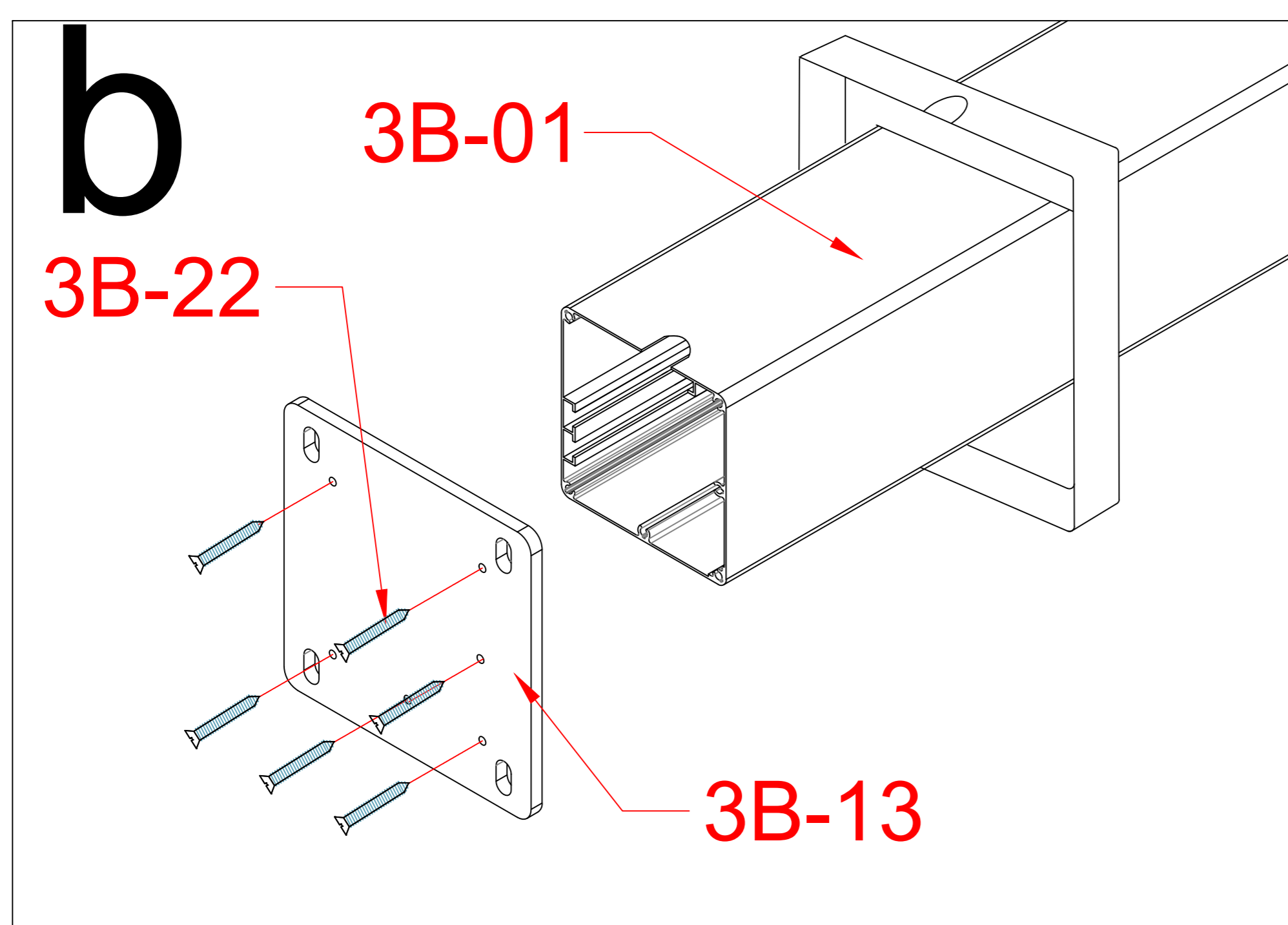
Before installing the bottom expansion screws, please be sure to correct the frame size





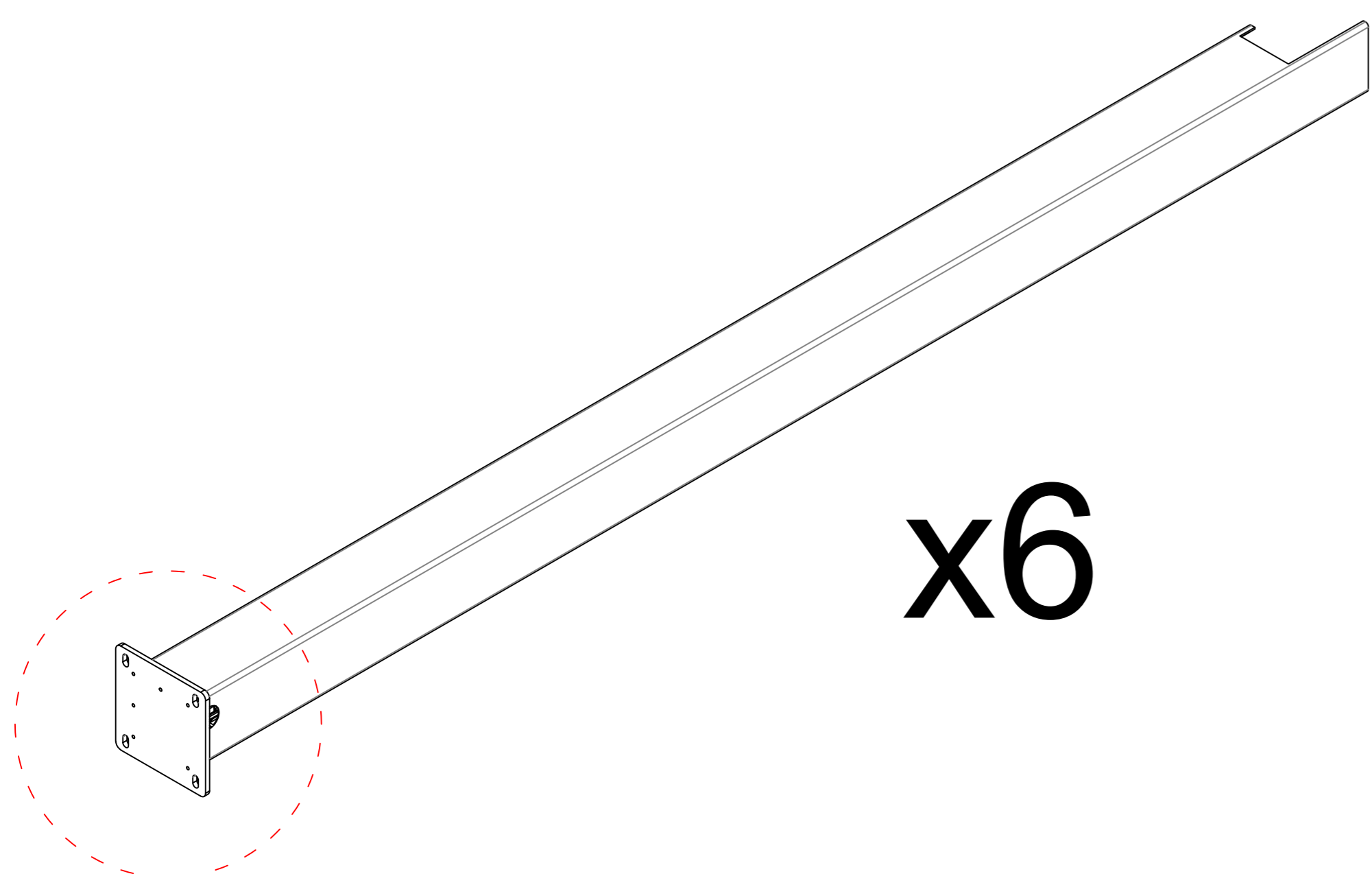


During the installation process, if you encounter any uncertainties, please refer to the installation instructions on the product page of the website.

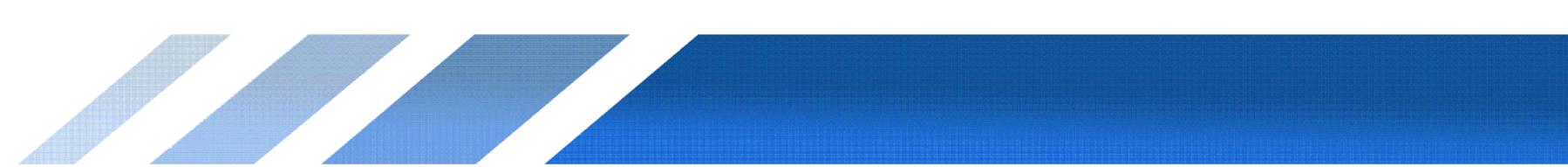


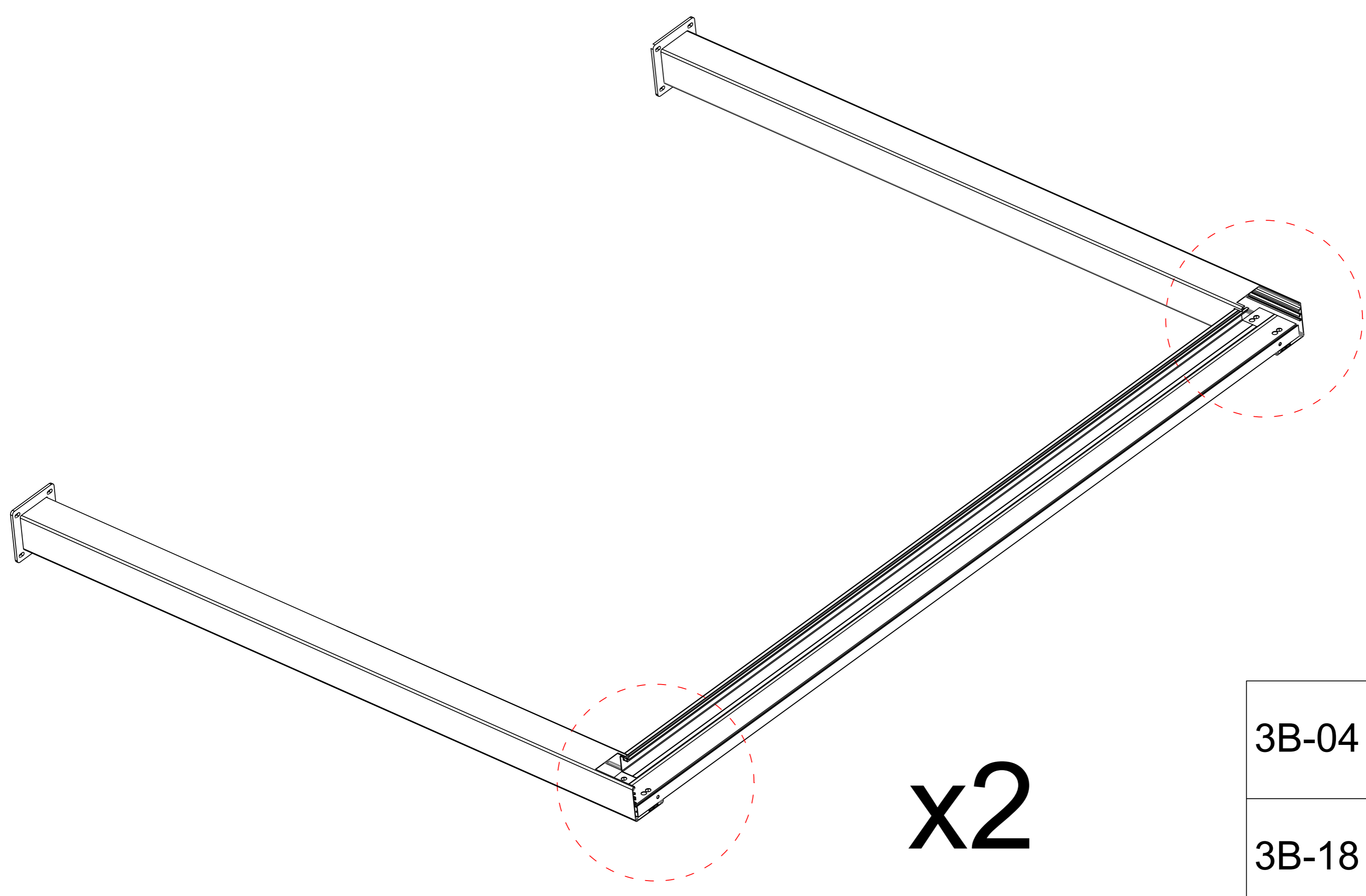
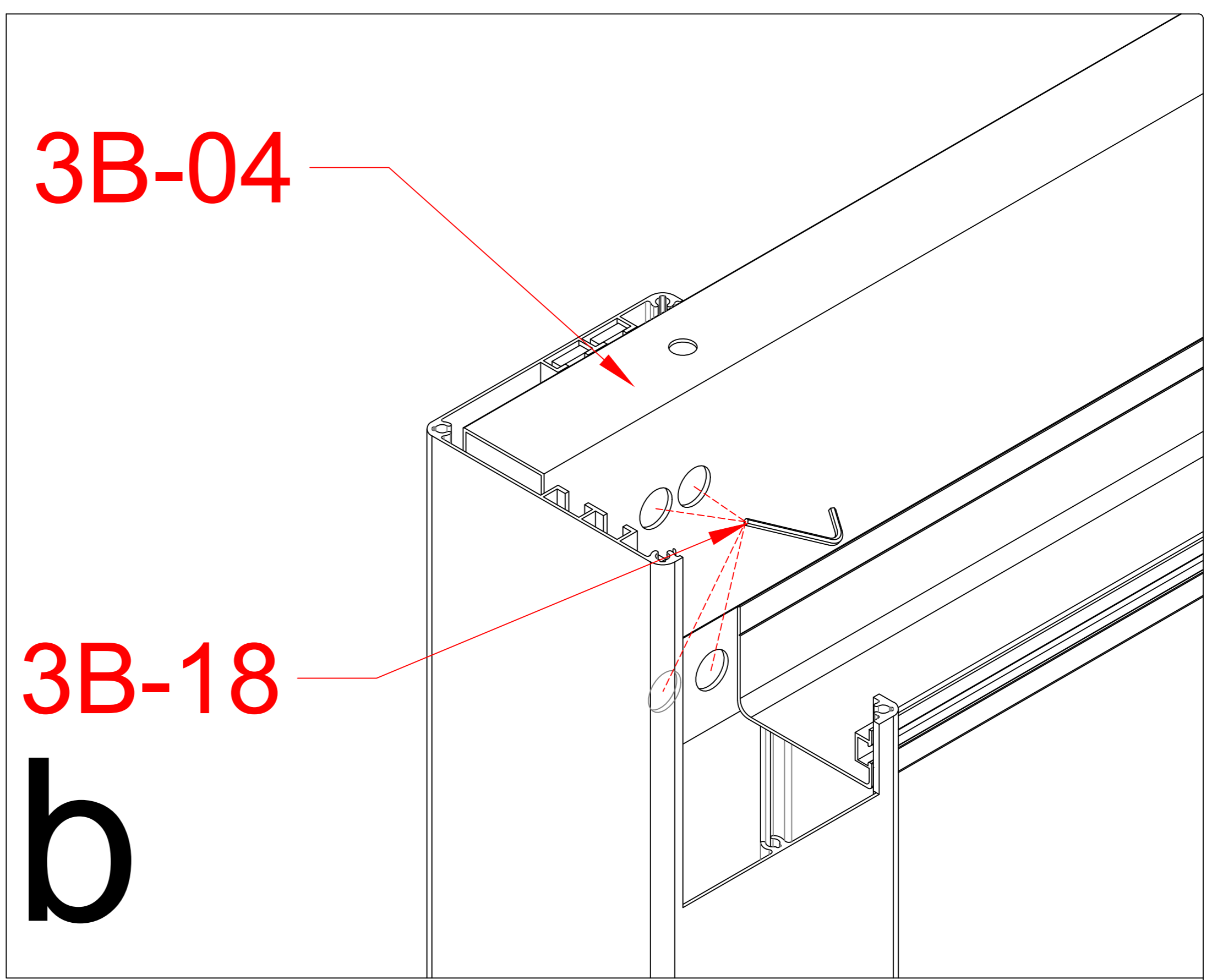
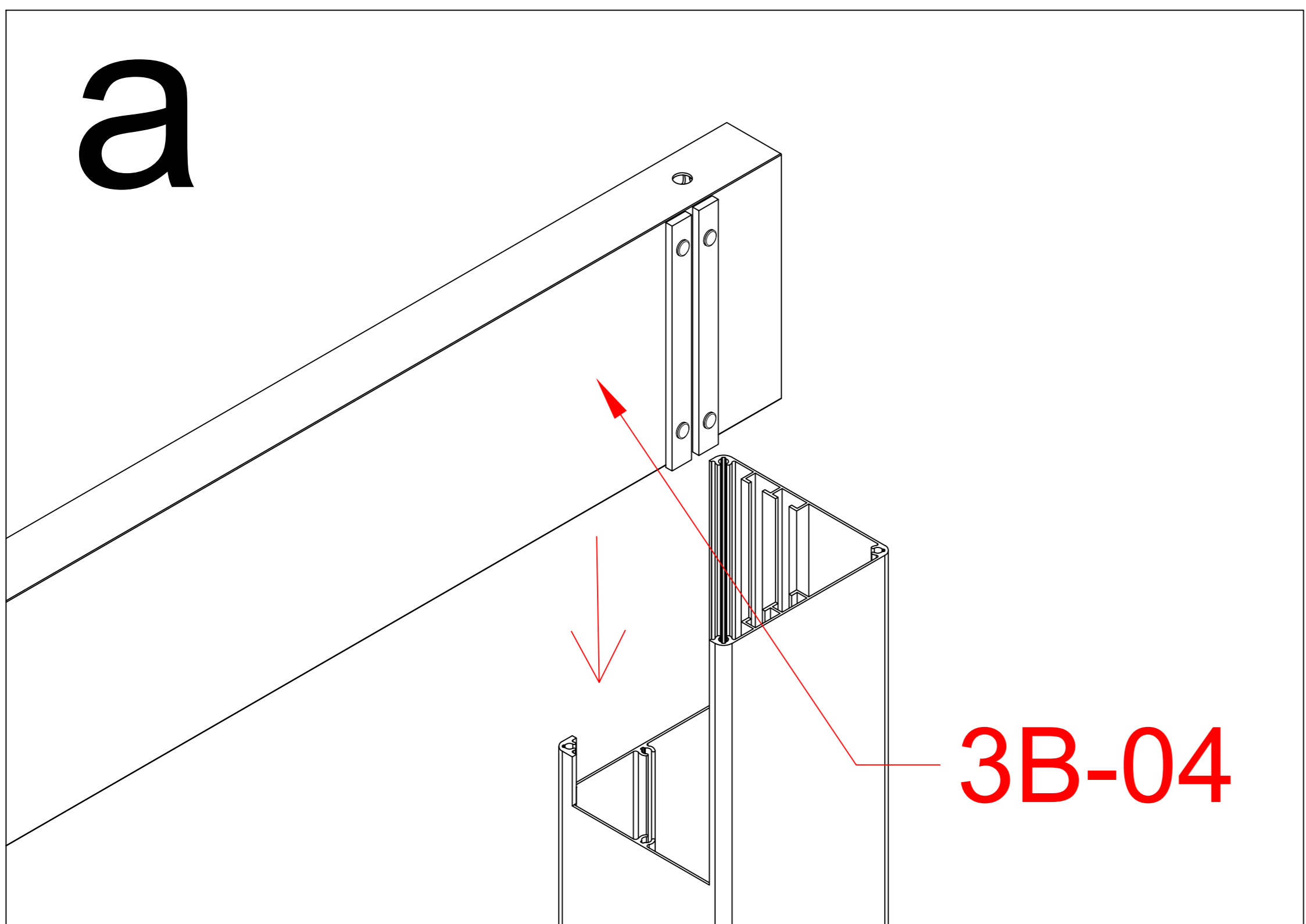
Before installing the base plate, please connect the wires first

Post containing electrical wires, please use base plate 3B-46A.

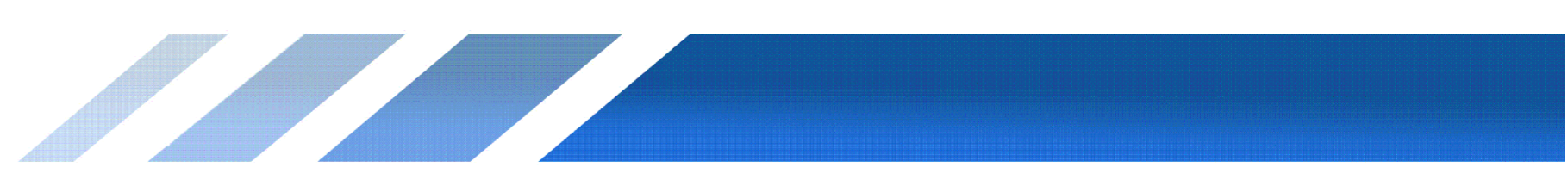


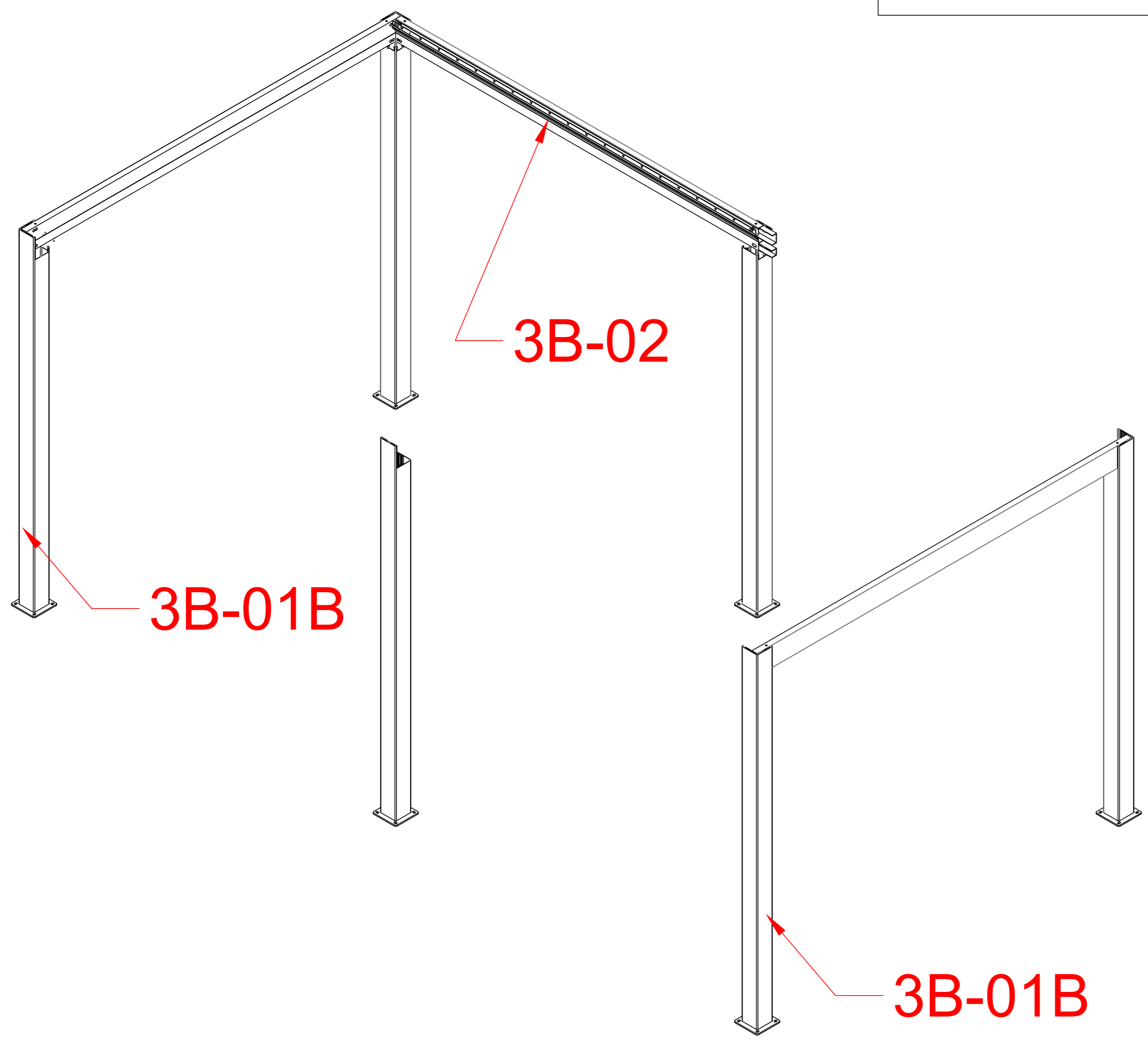
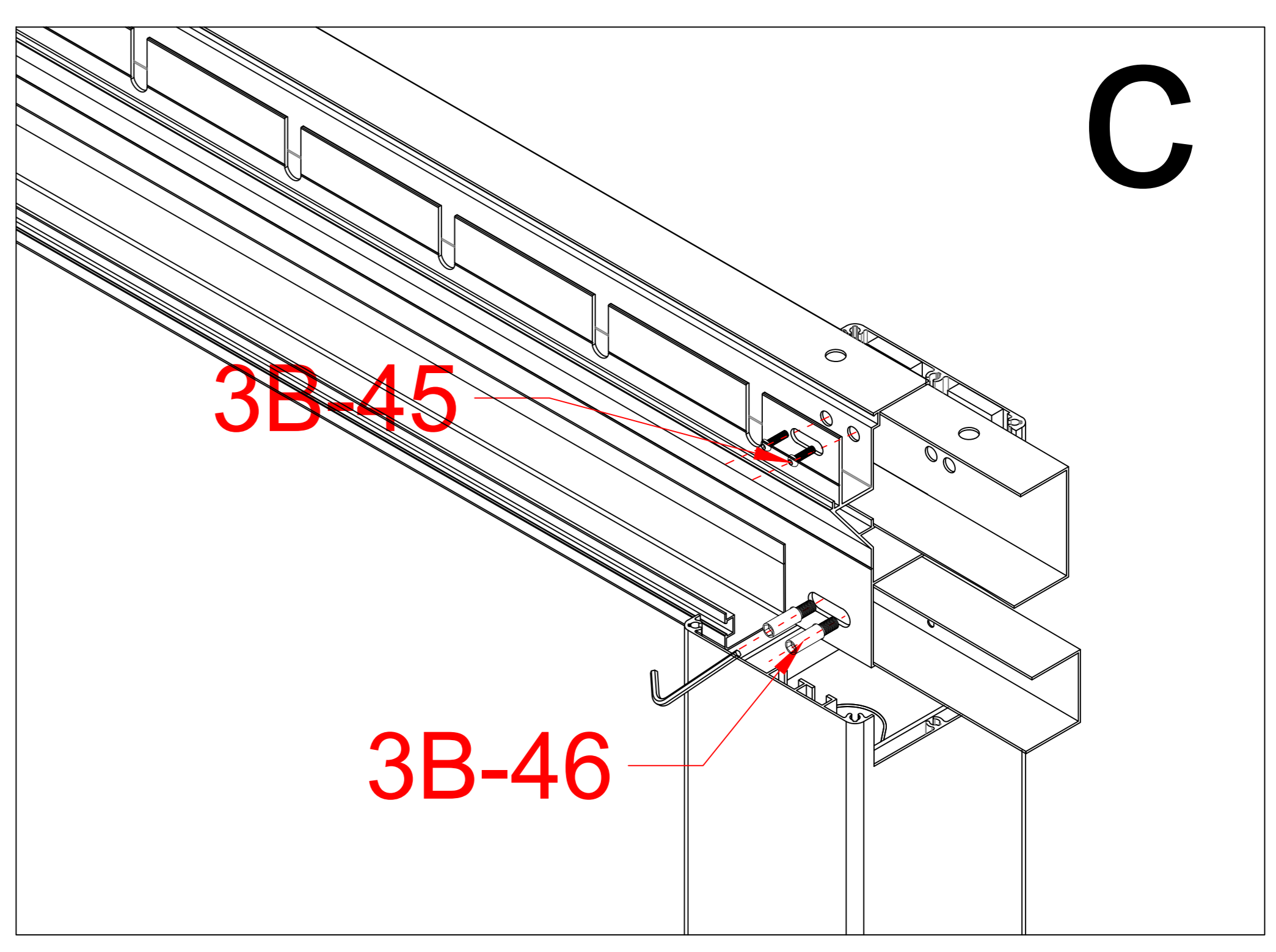
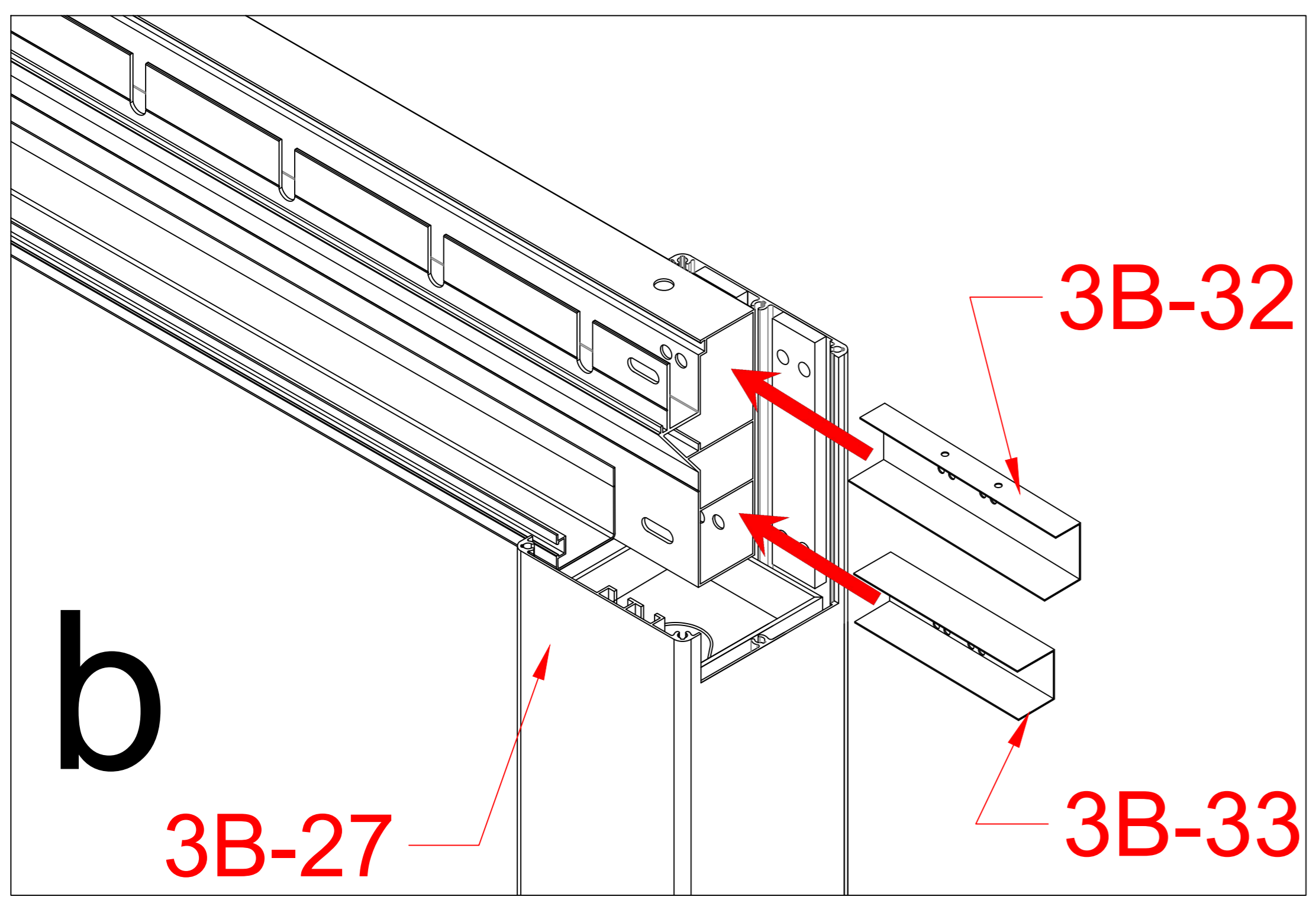
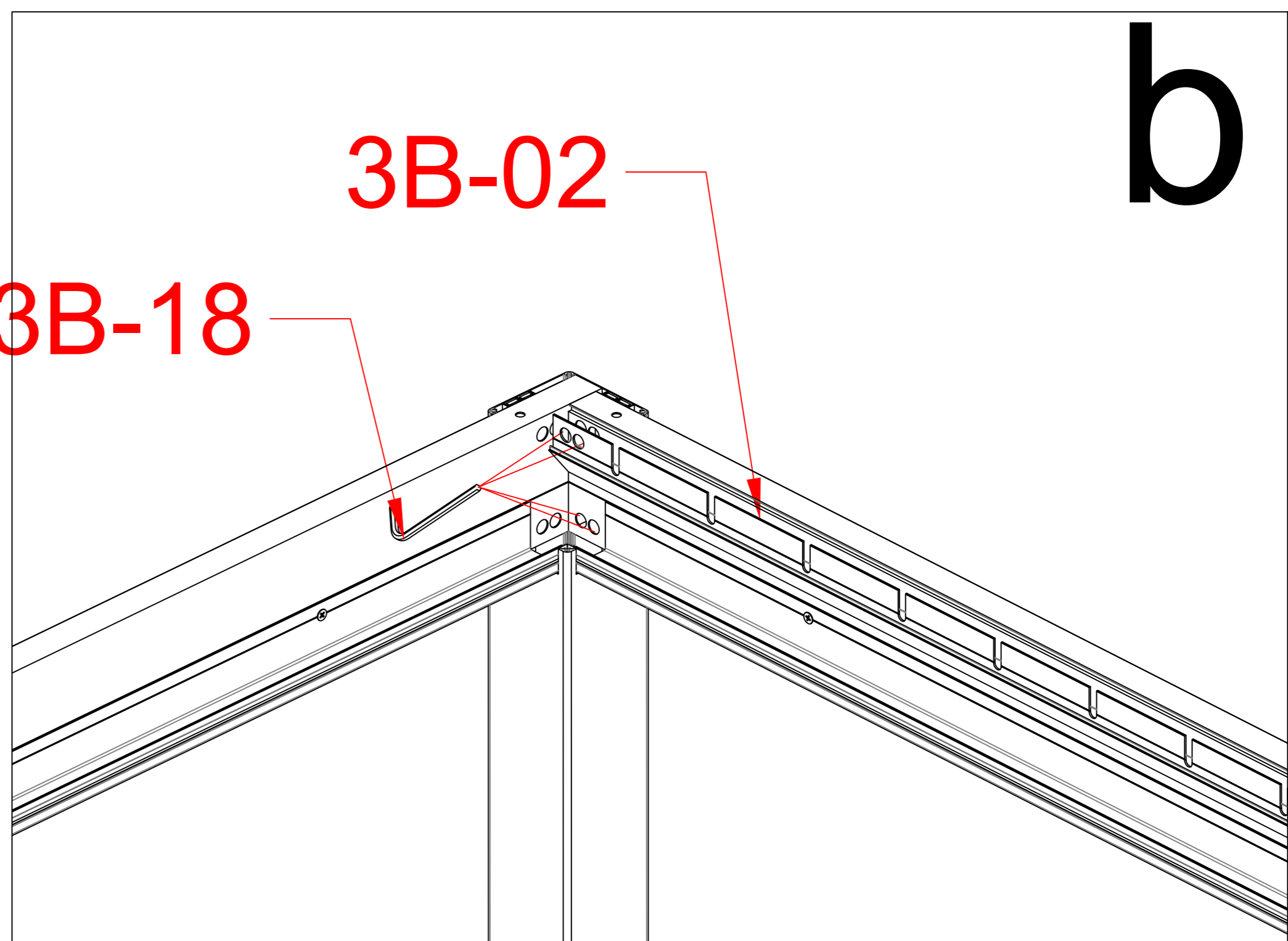
3B-46		6
3B-27		2
3B-01/ 01B		4
3B-13		6
3B-22		36



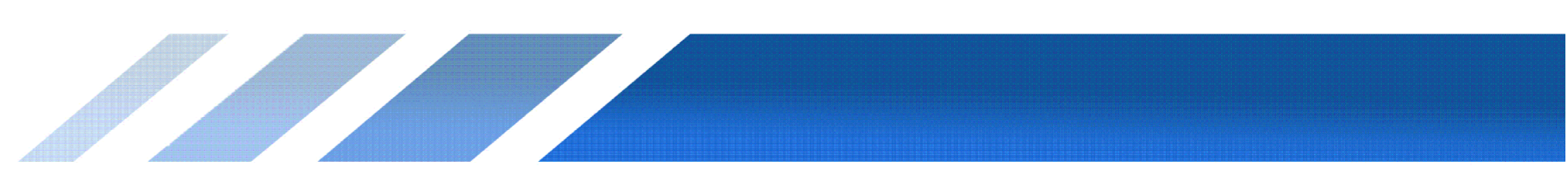


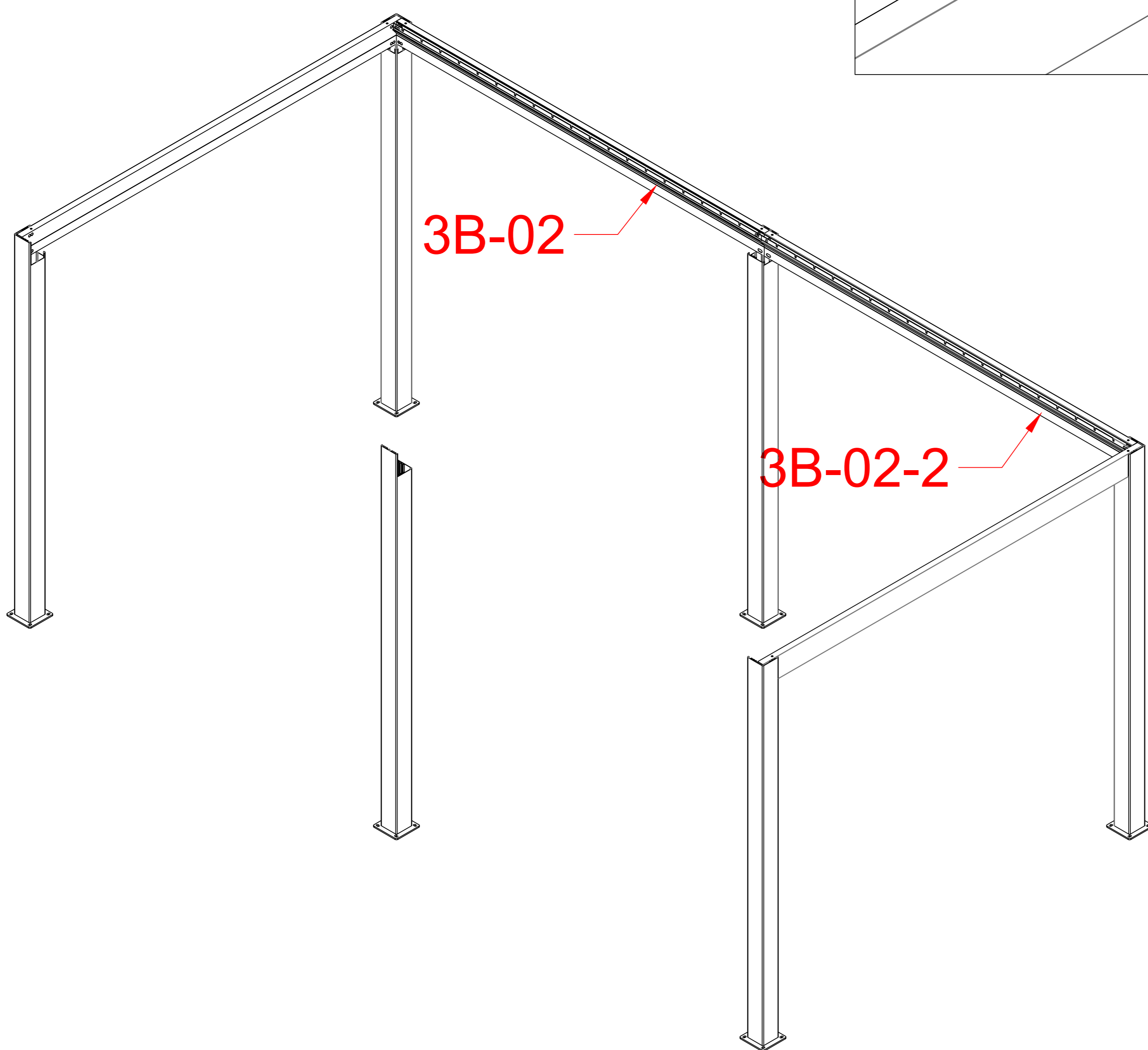
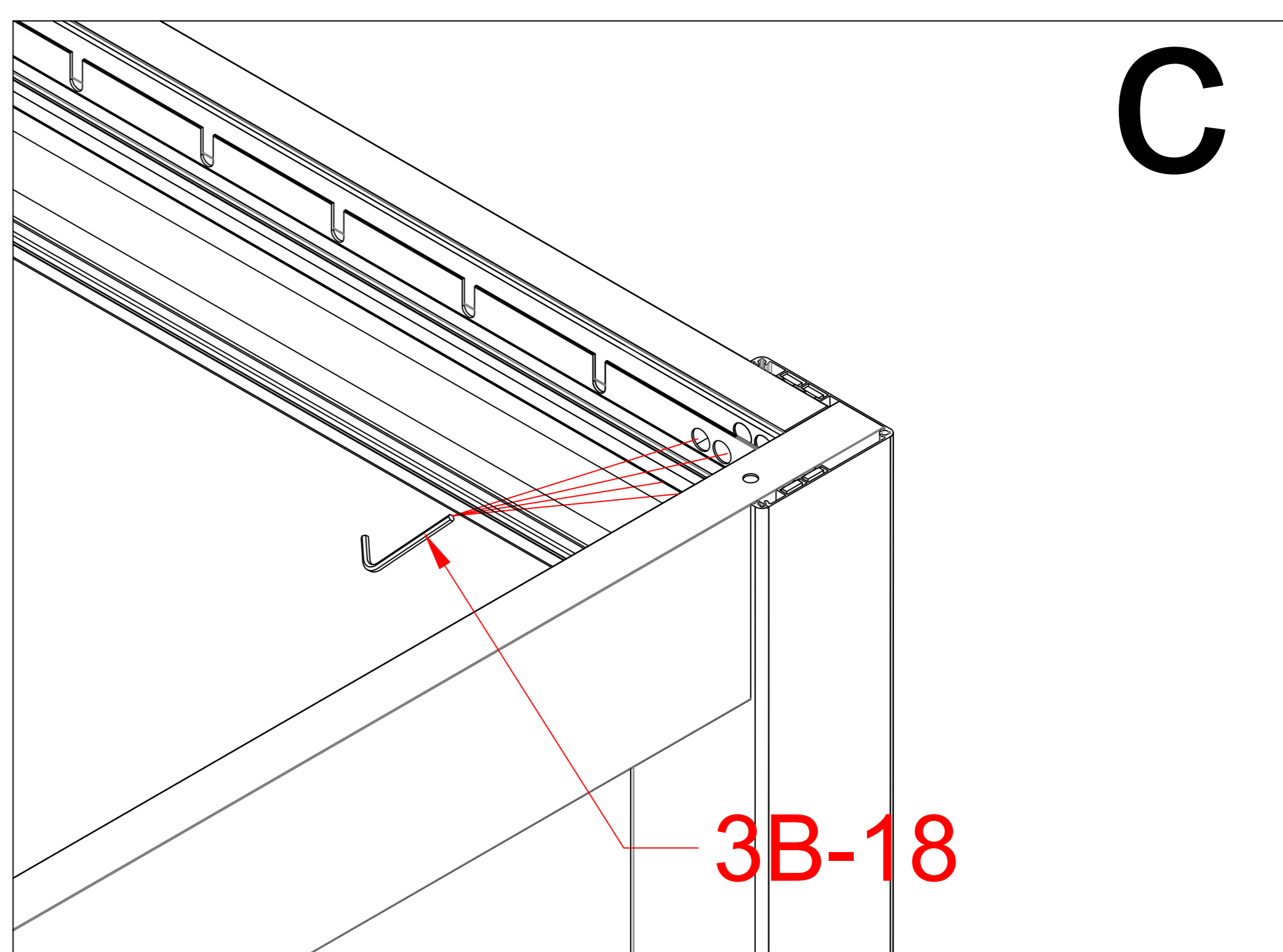
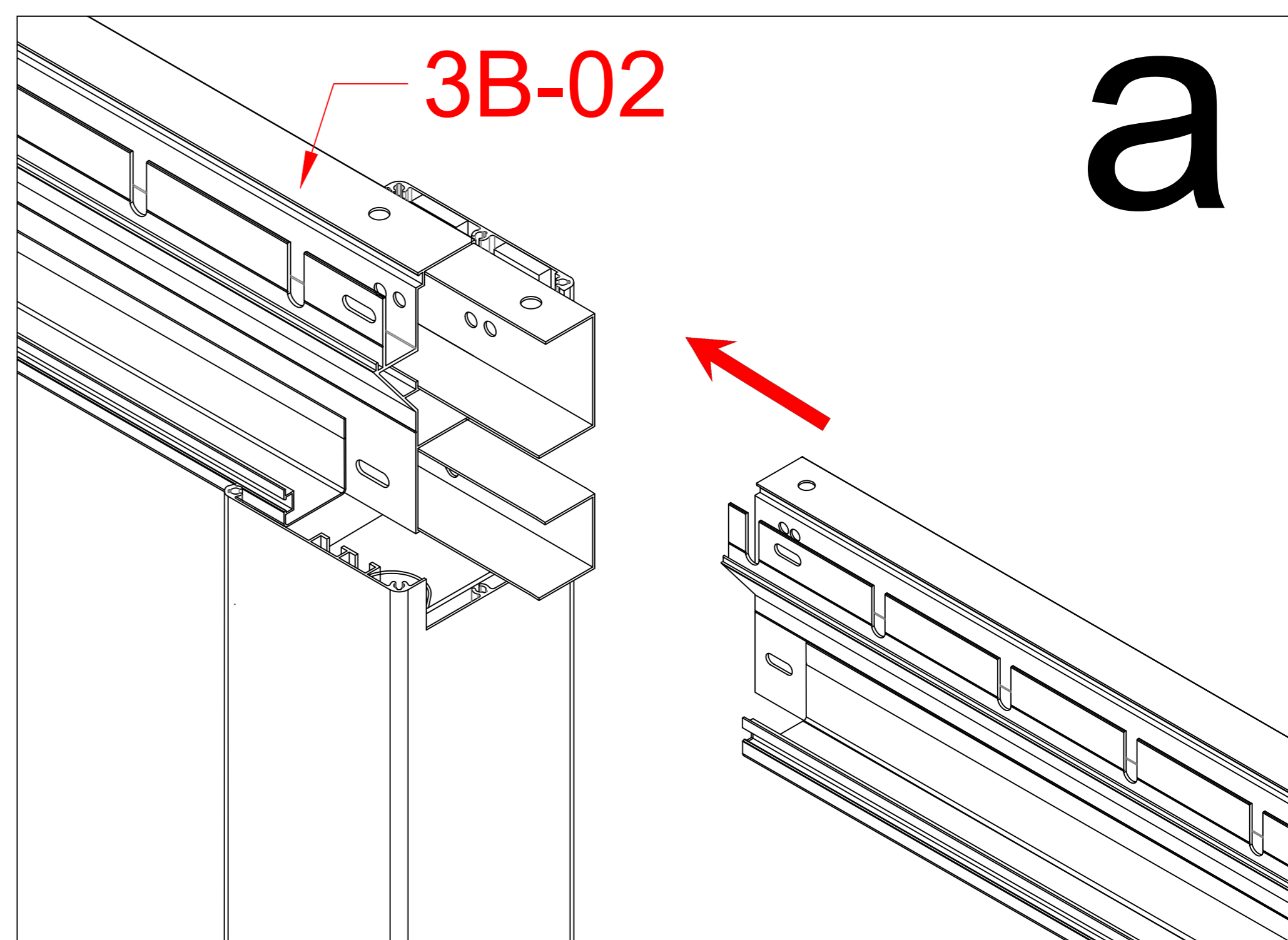
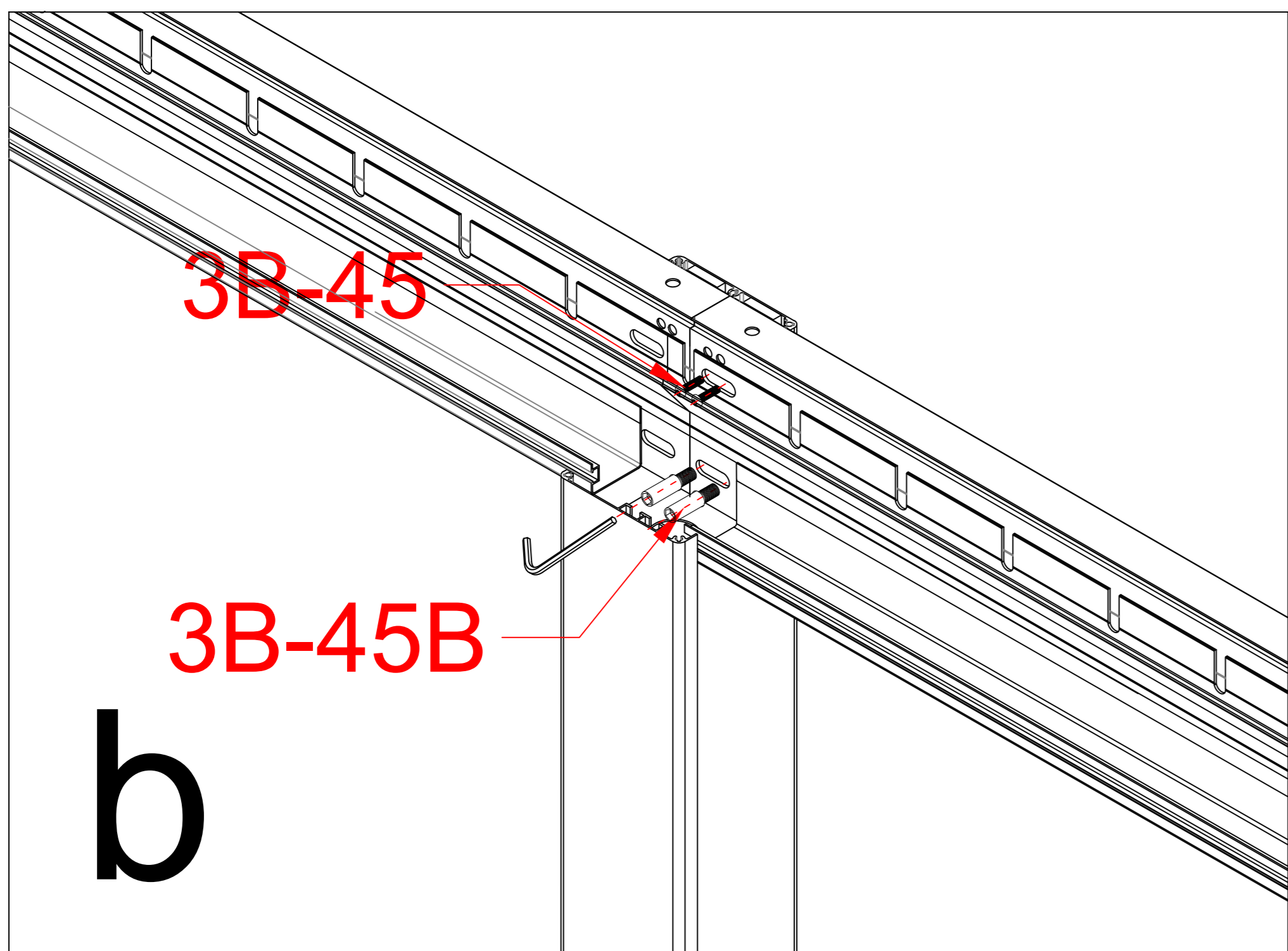
3B-04		2
3B-18		1



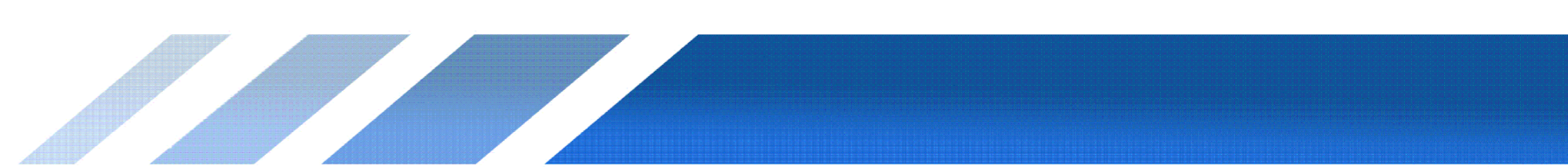


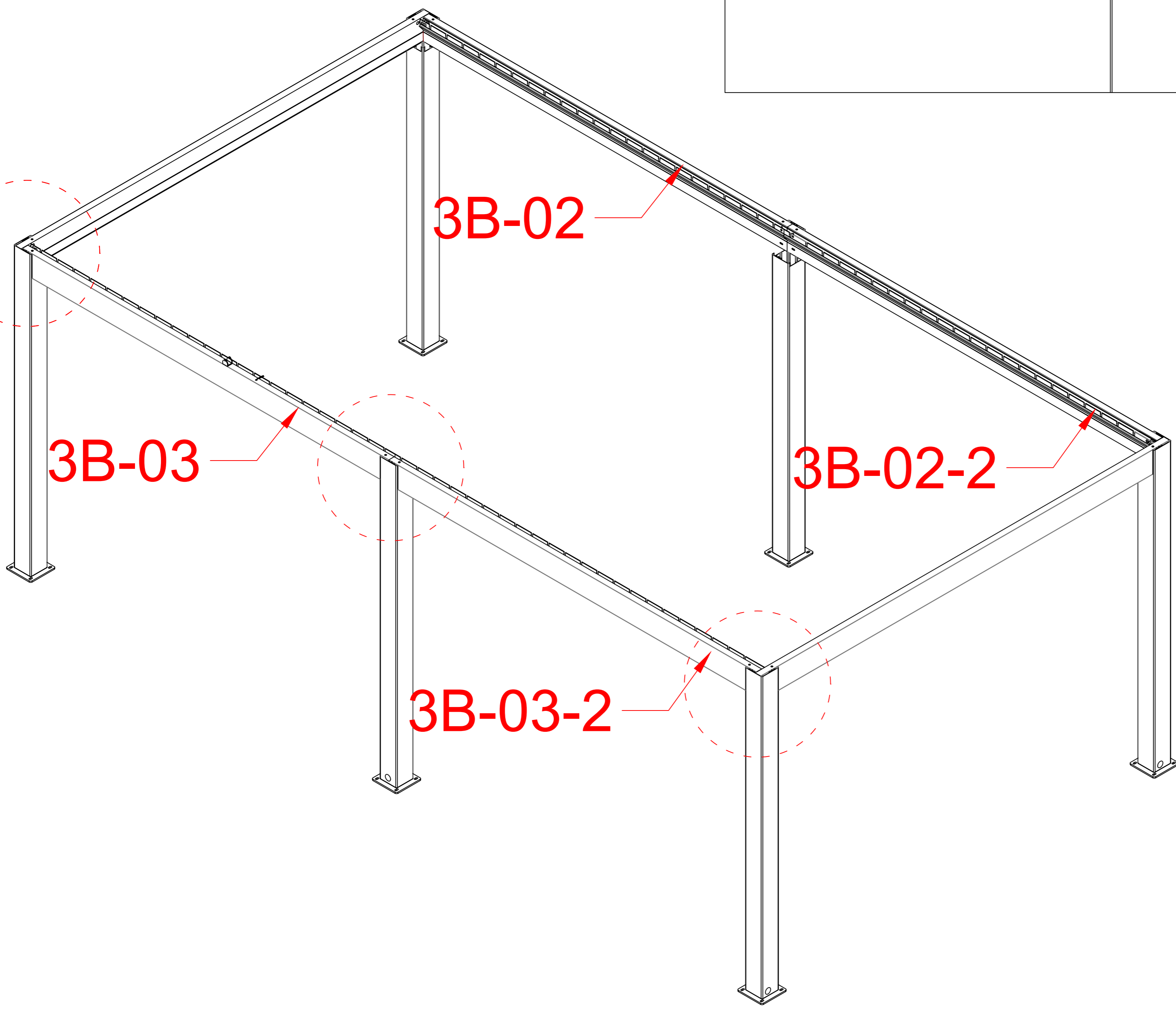
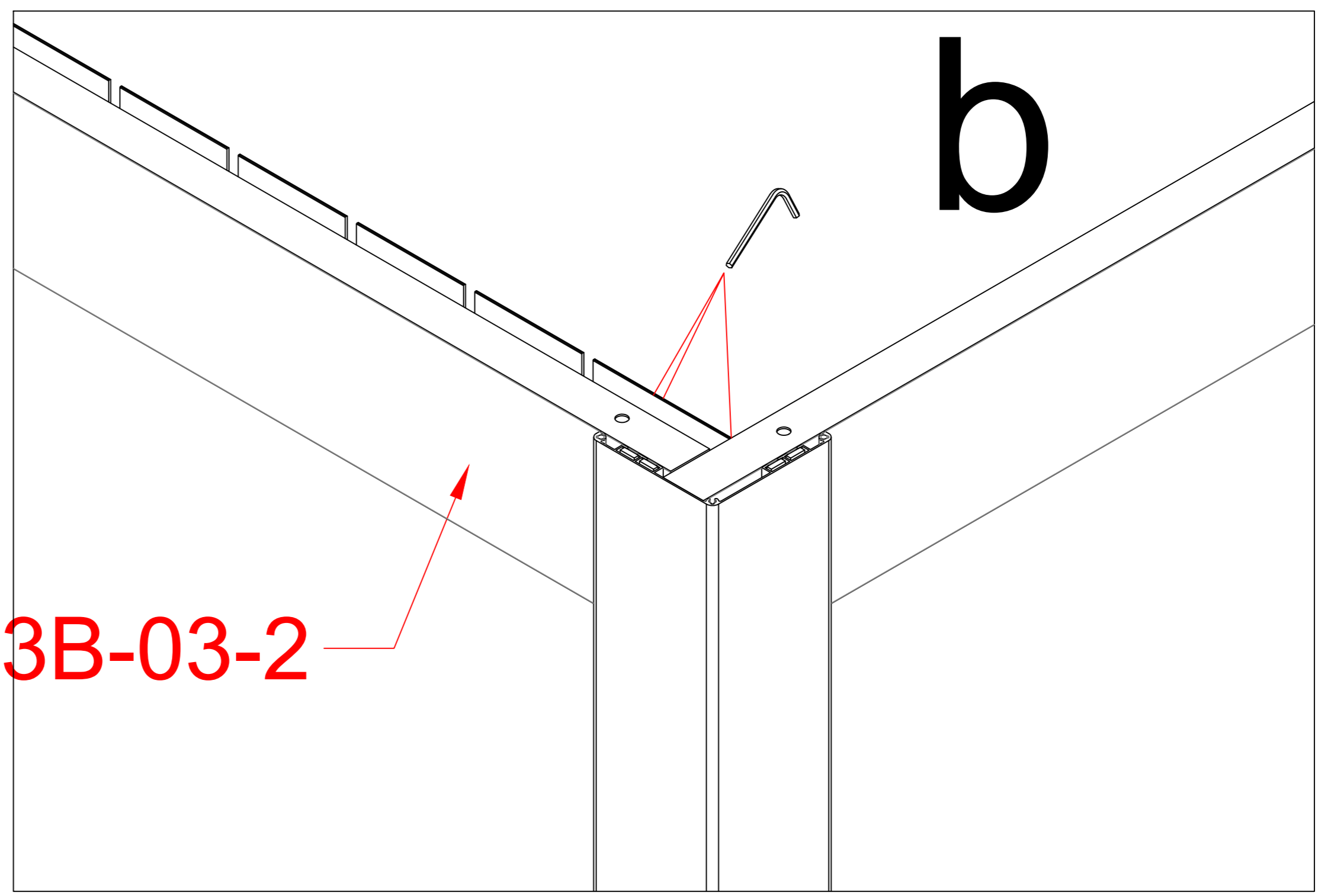
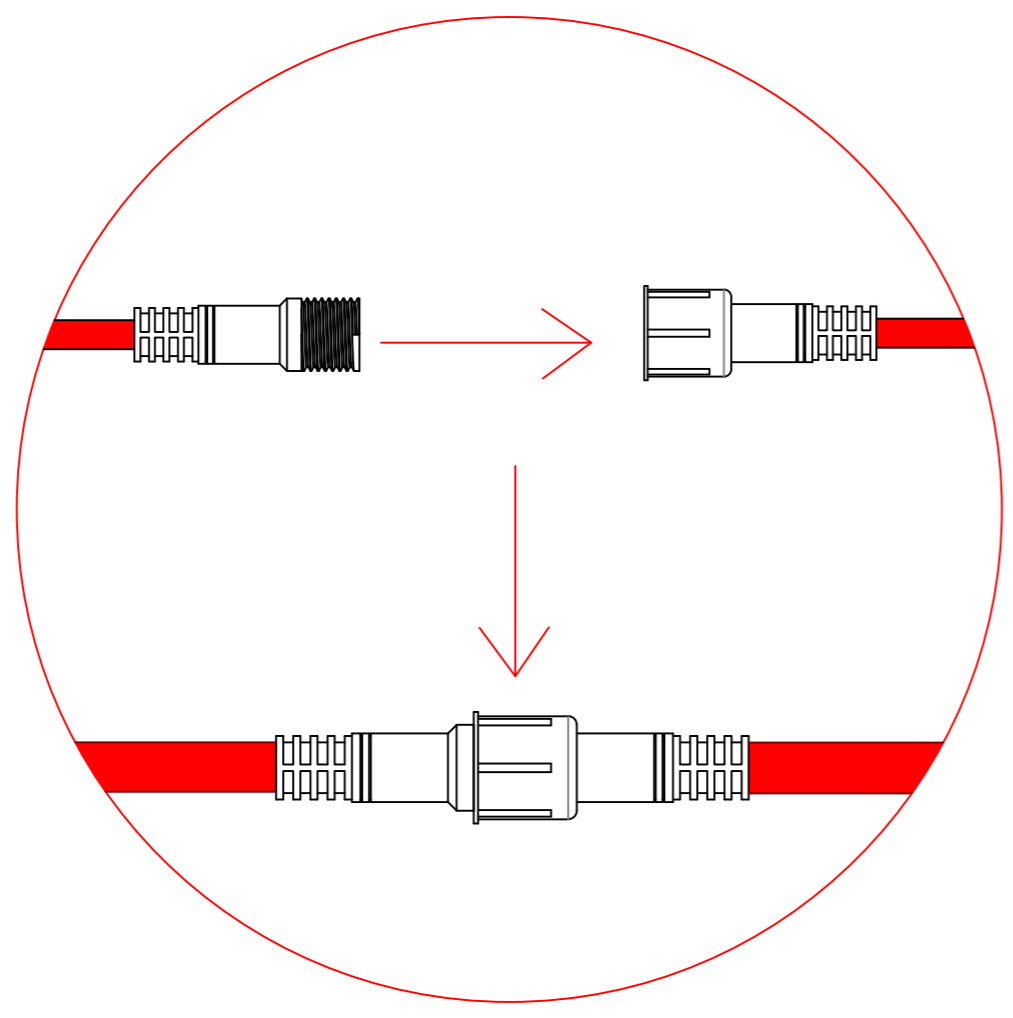
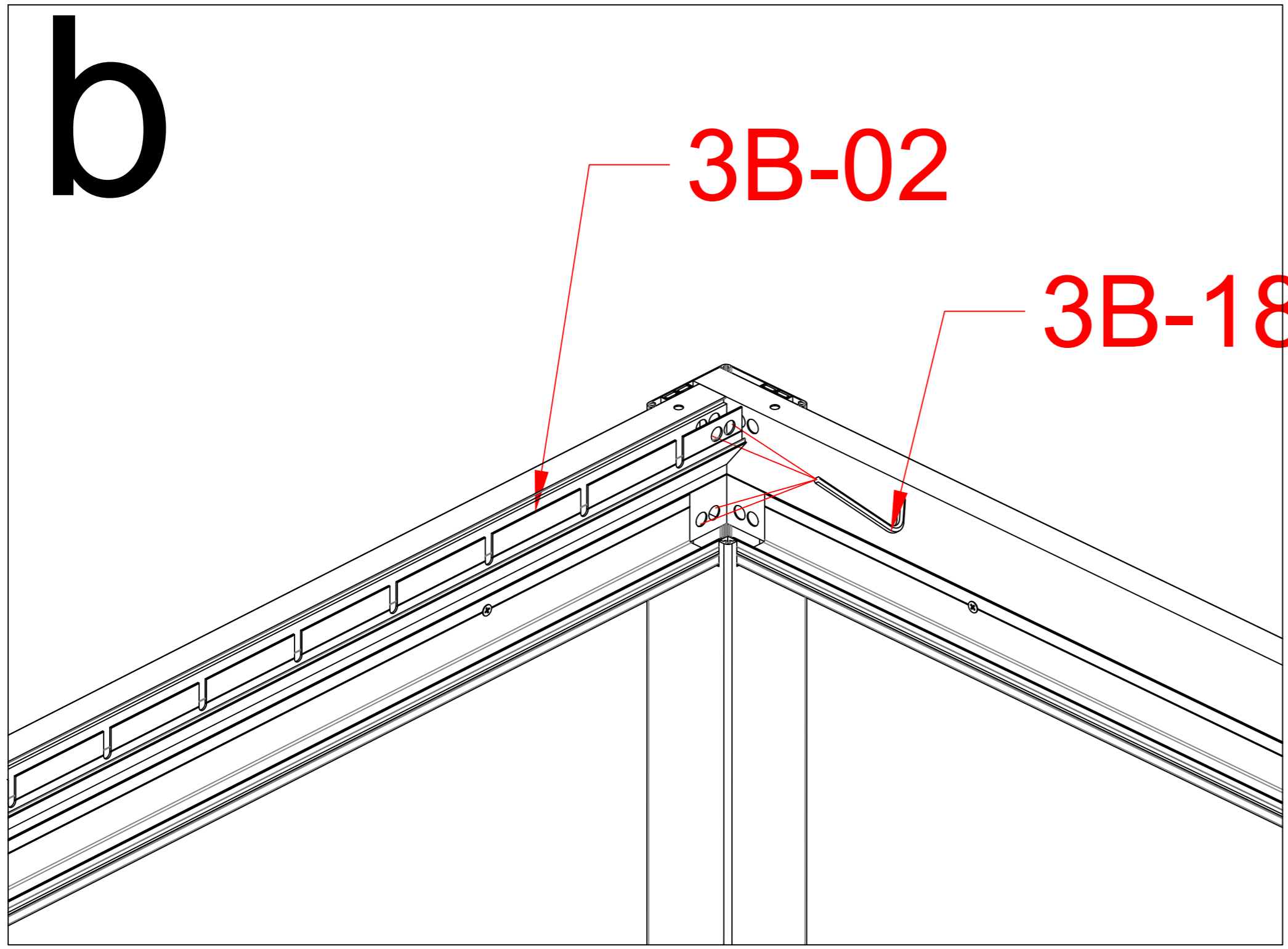
3B-45B			2
3B-45			2
3B-32			1
3B-33			1
3B-27			1
3B-02			1



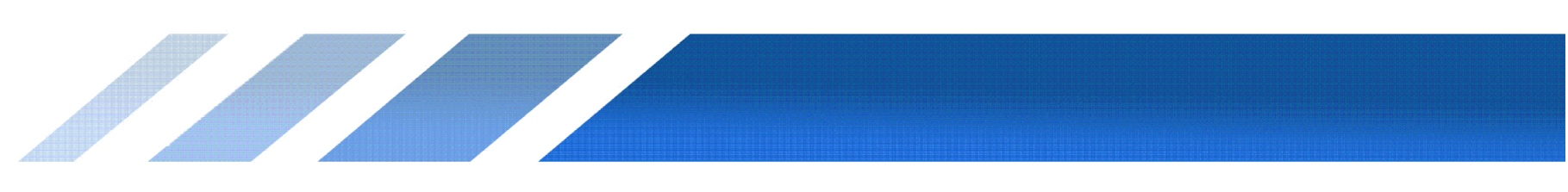


3B-45B		2
3B-18		1
3B-45		2
3B-02-2		1





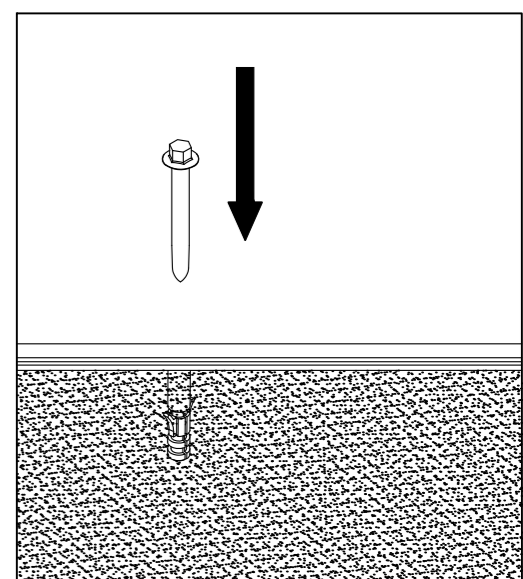
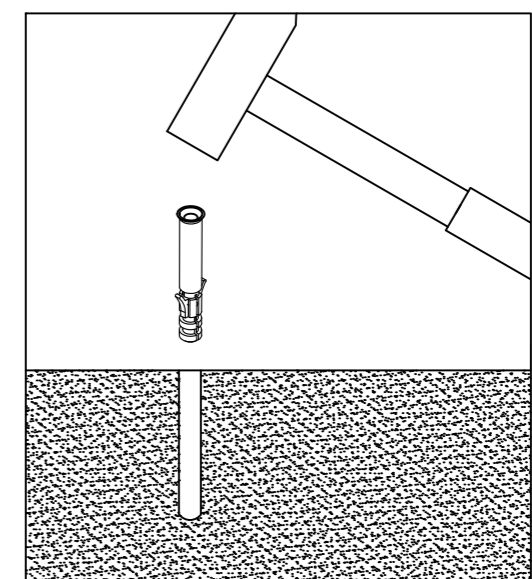
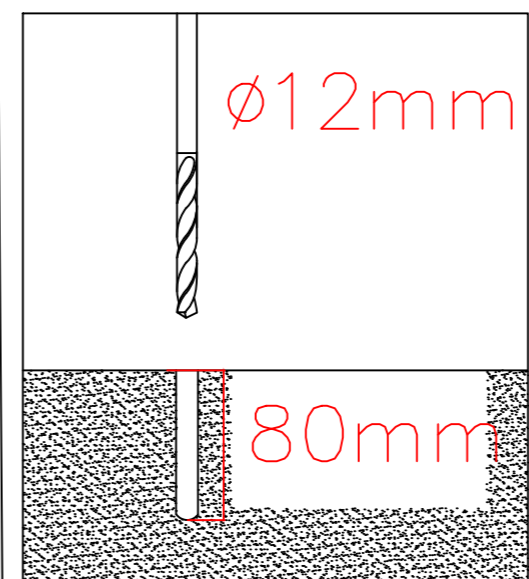
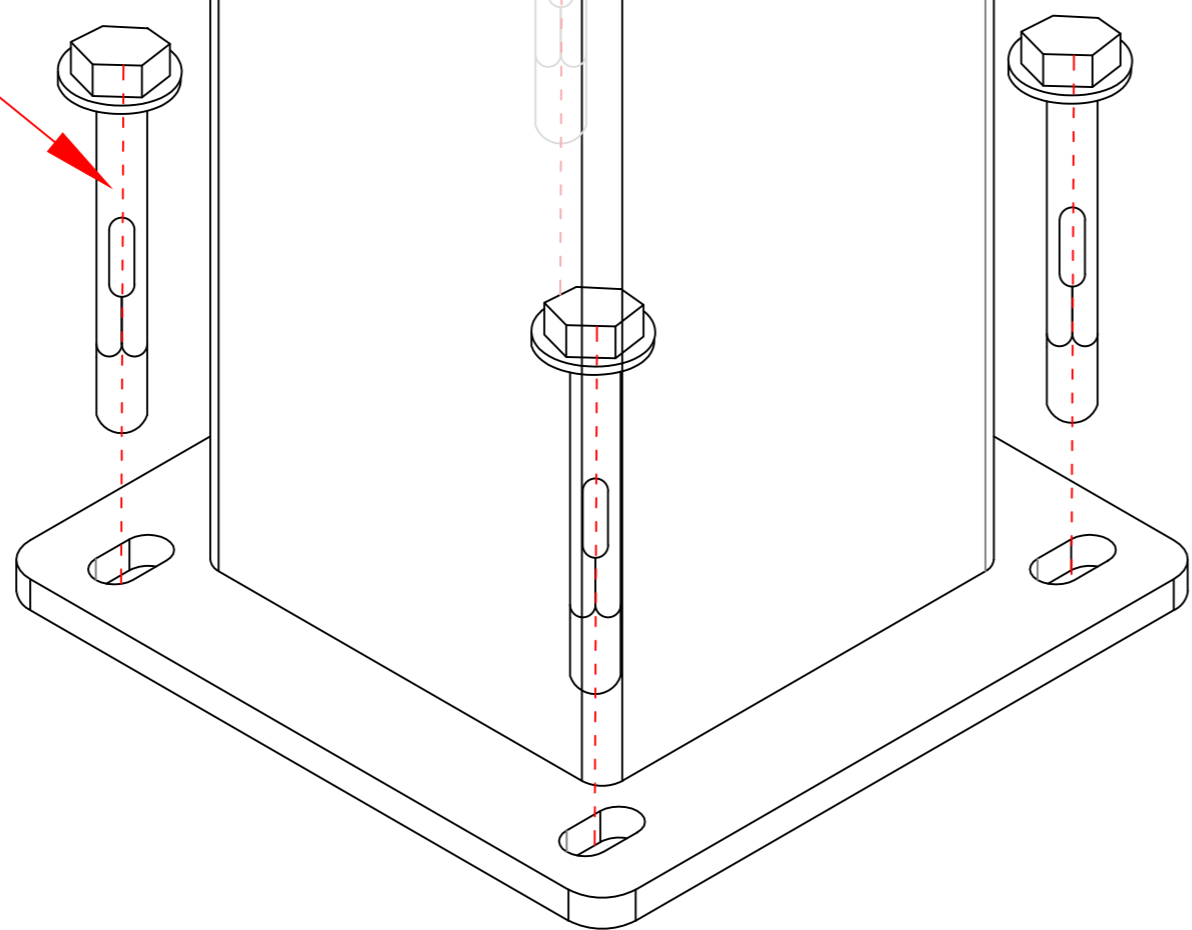
3B-46		4
3B-32		1
3B-33		1
3B-03		1
3B-03-2		1
3B-45		4
3B-18		1



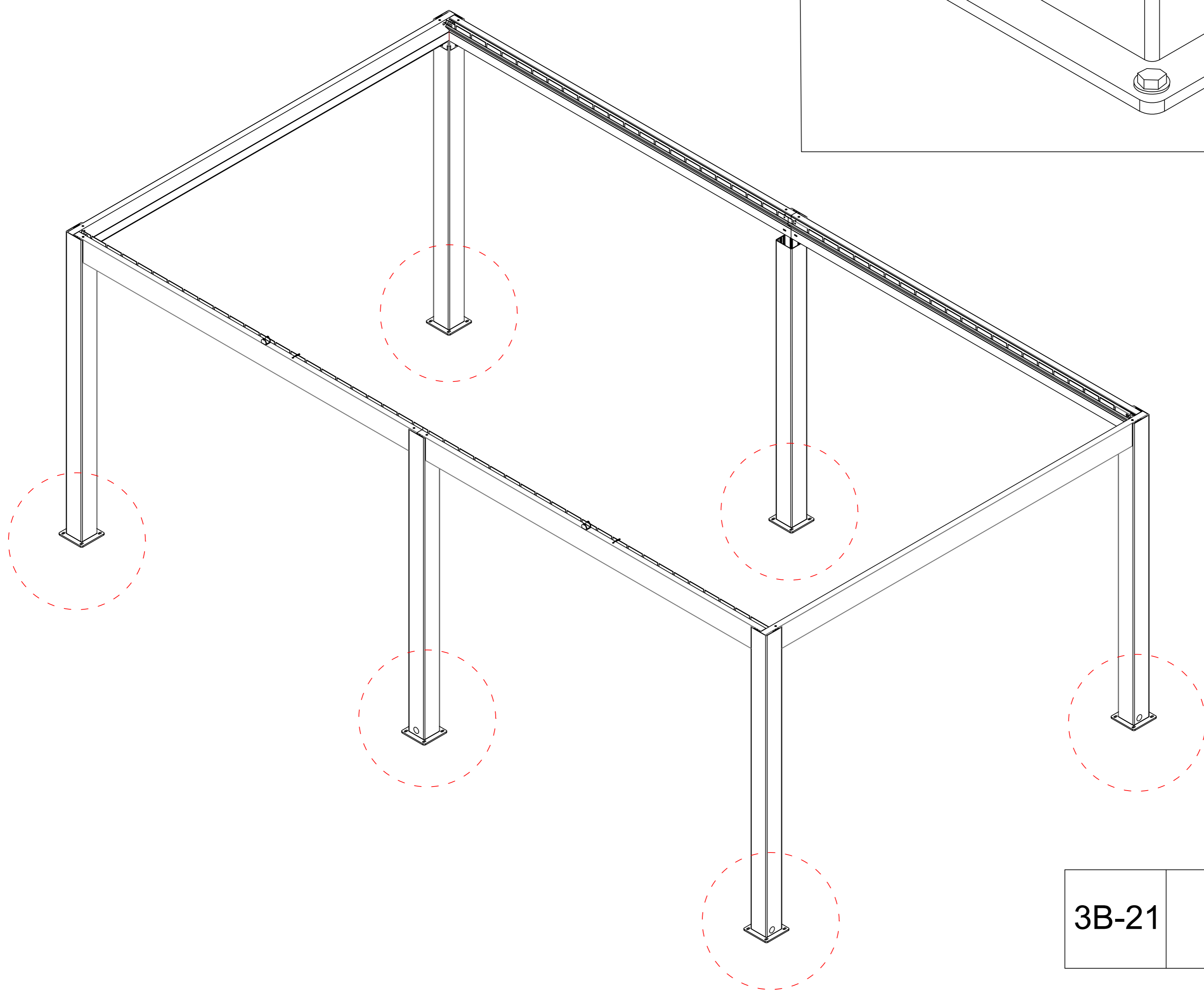
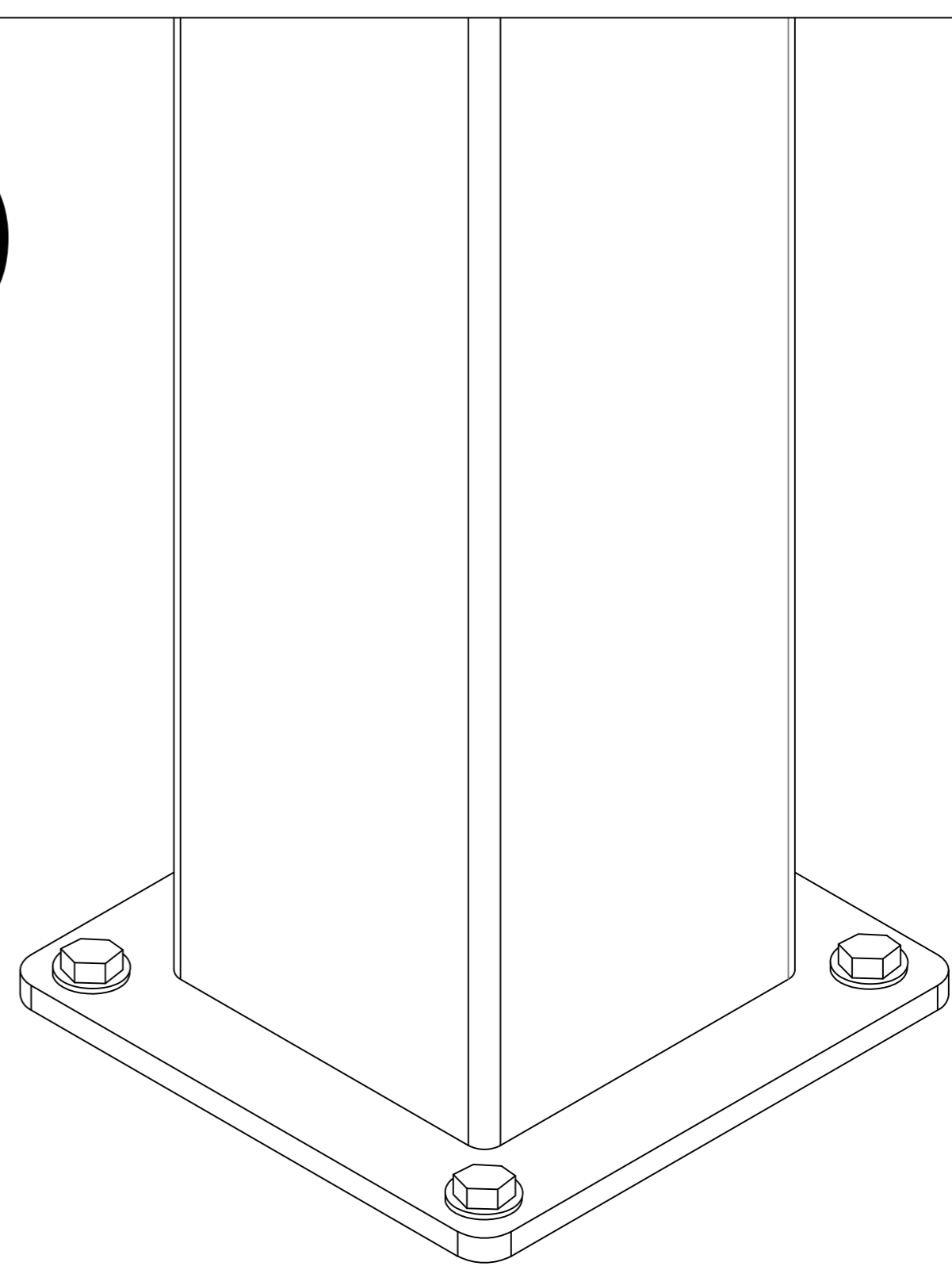


**a**

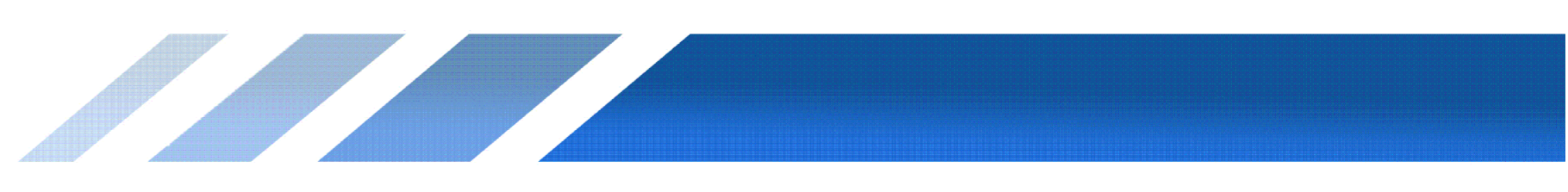
**3B-21**

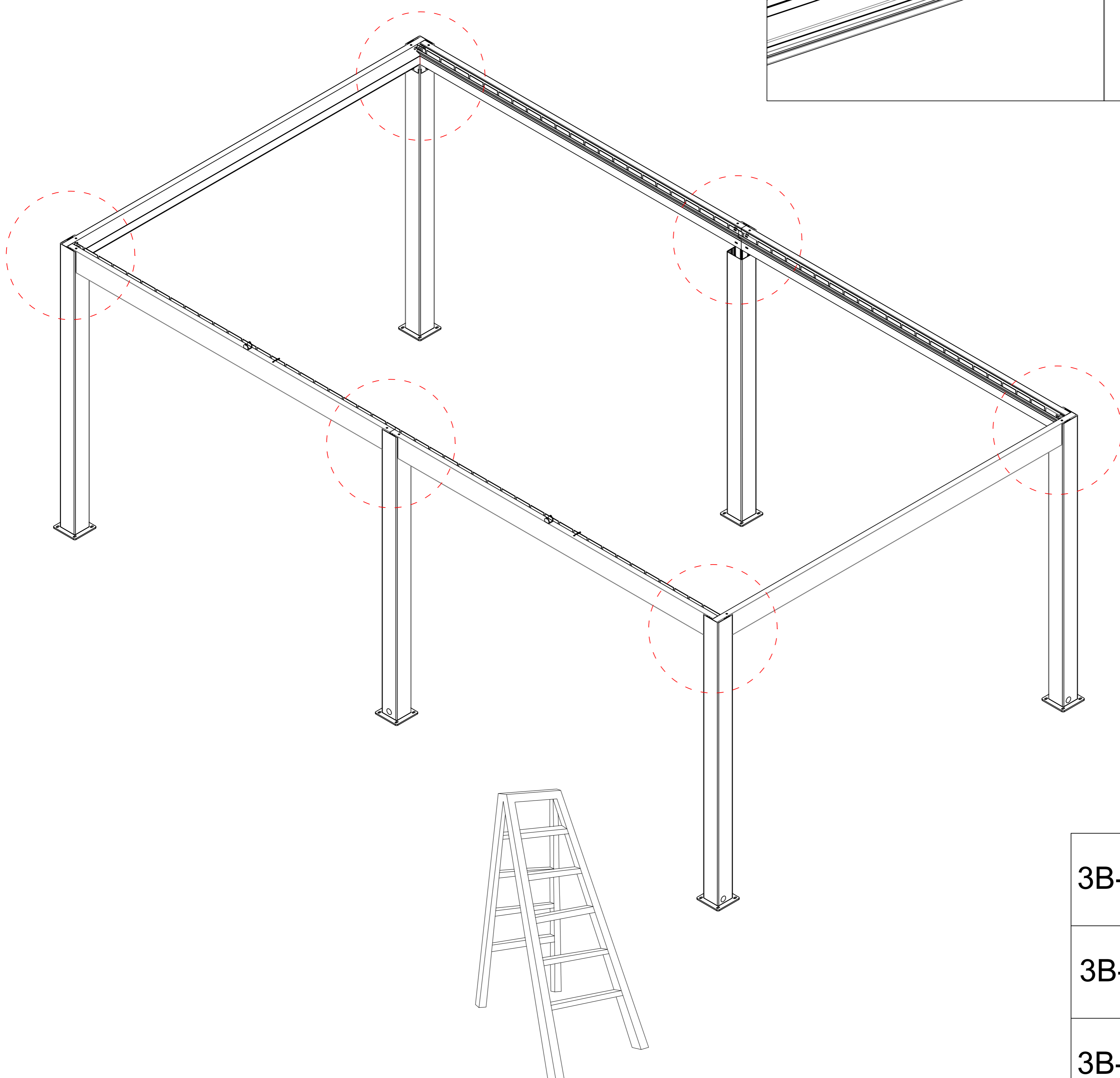
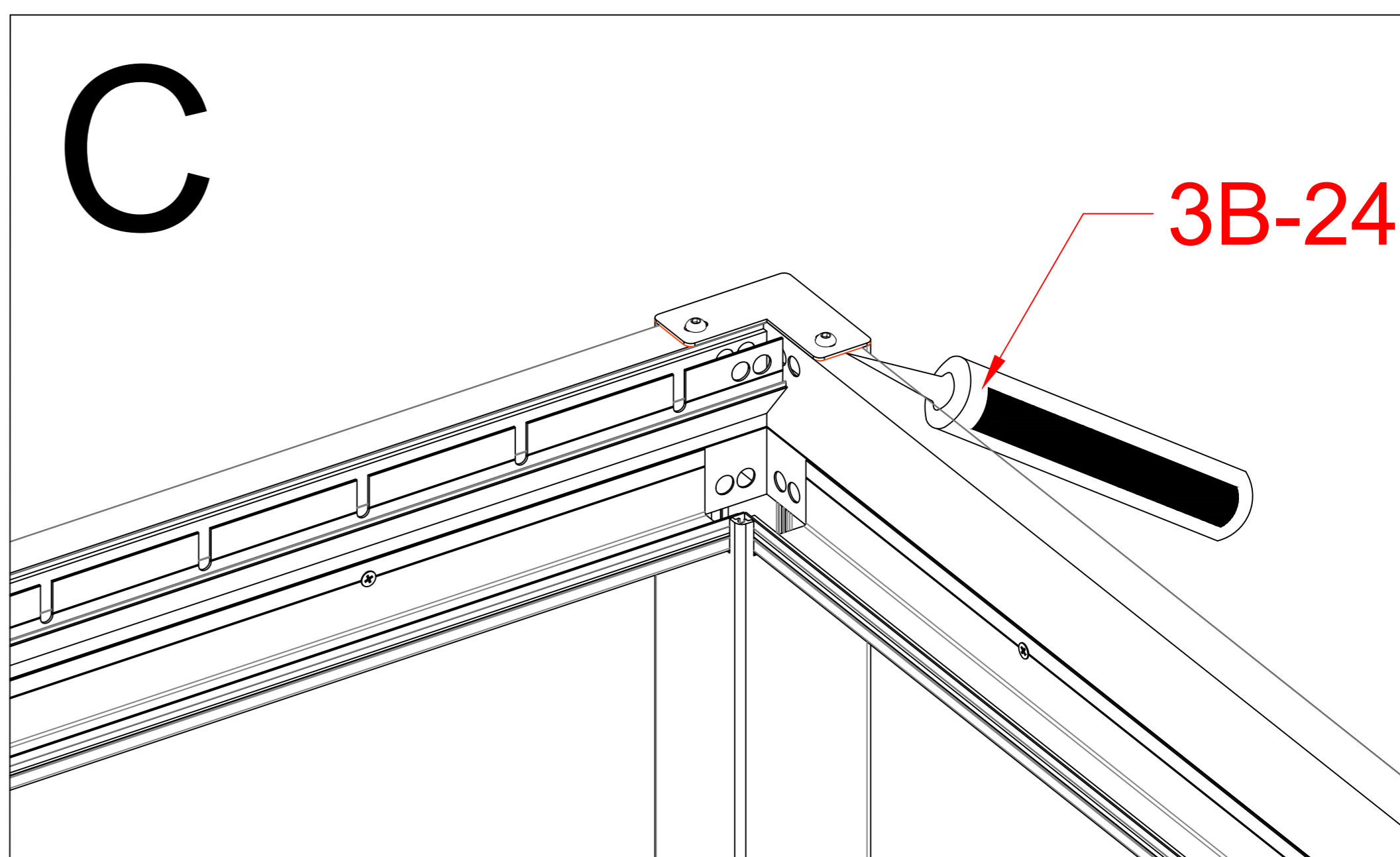
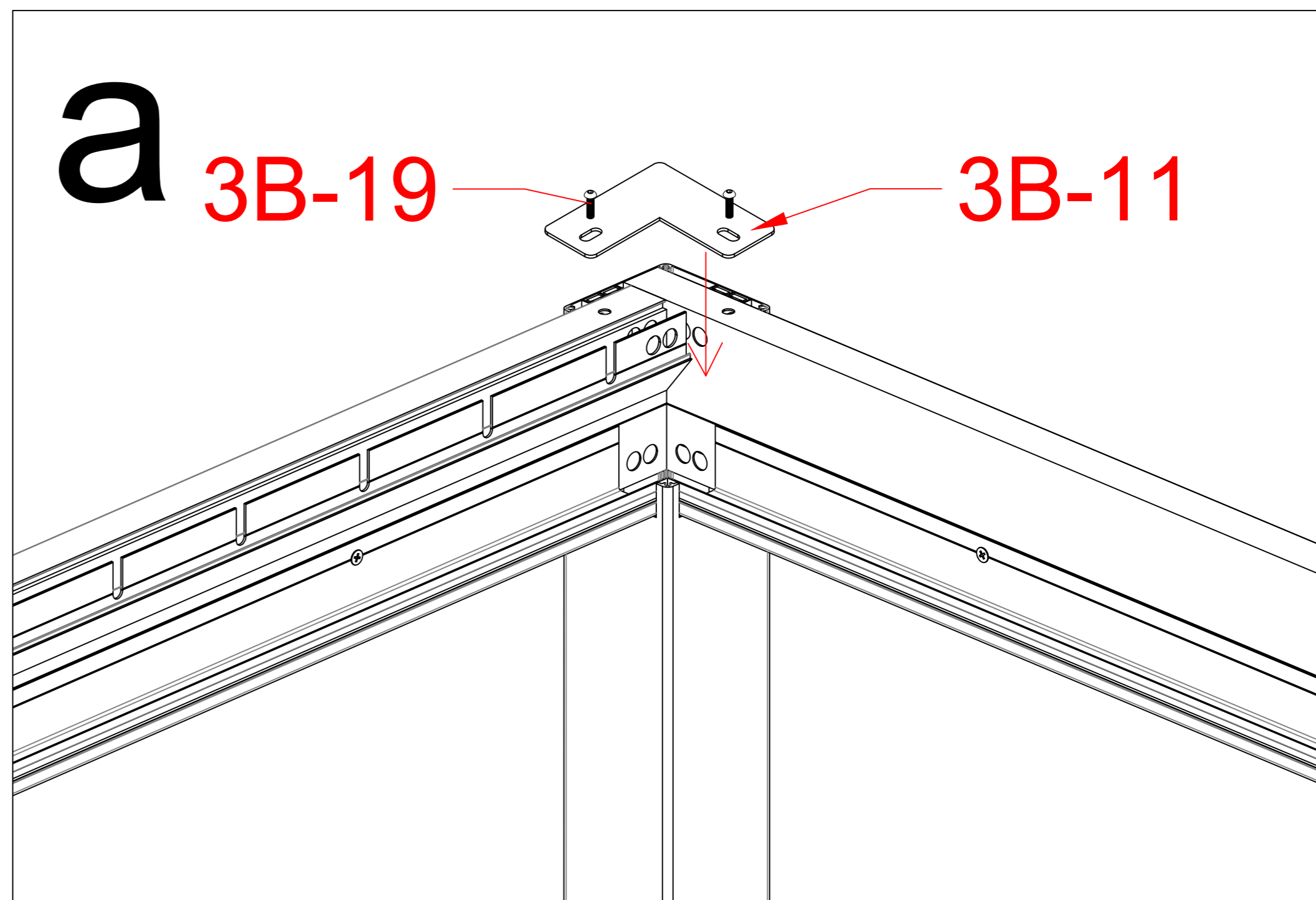
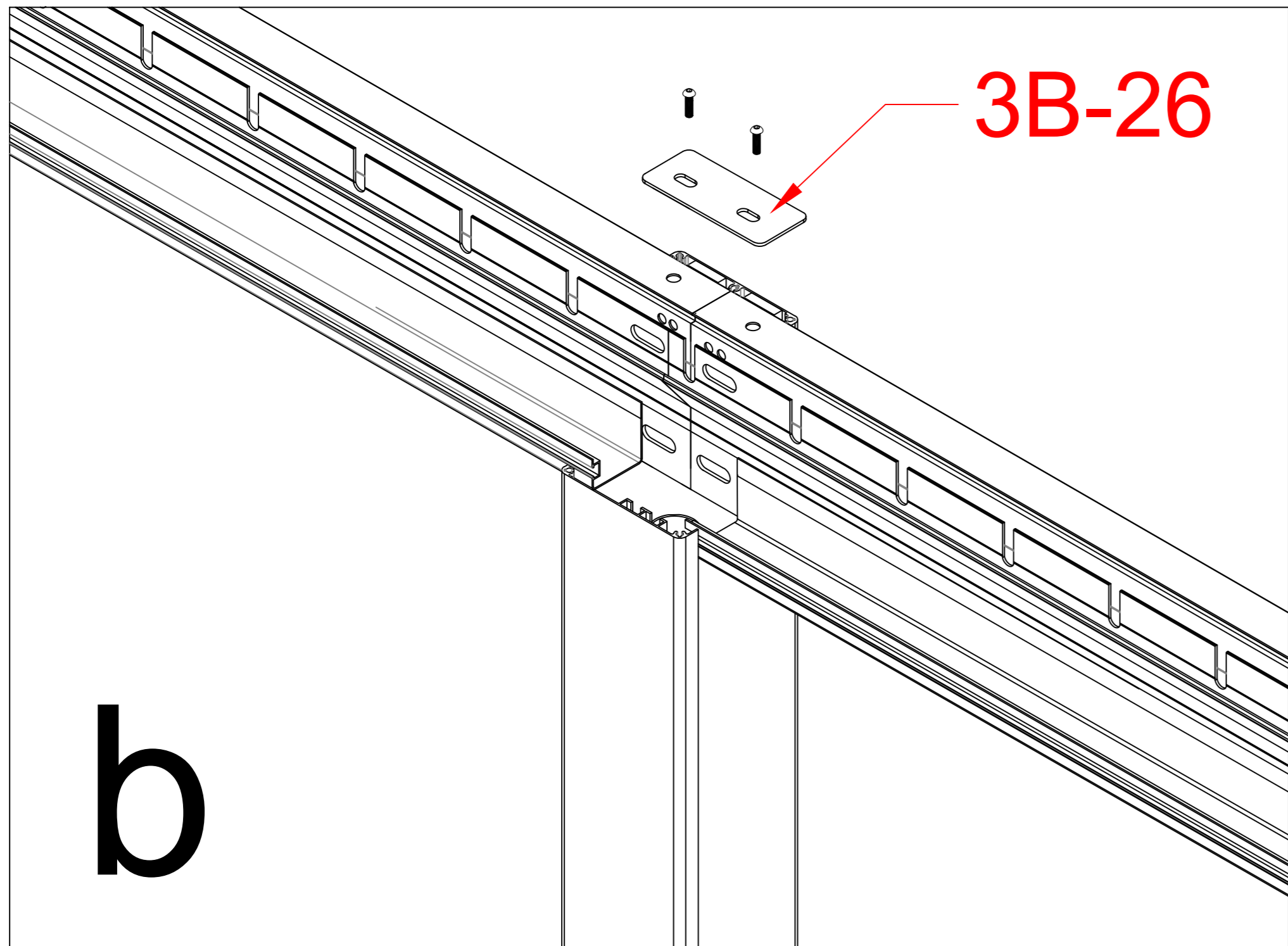


**b**

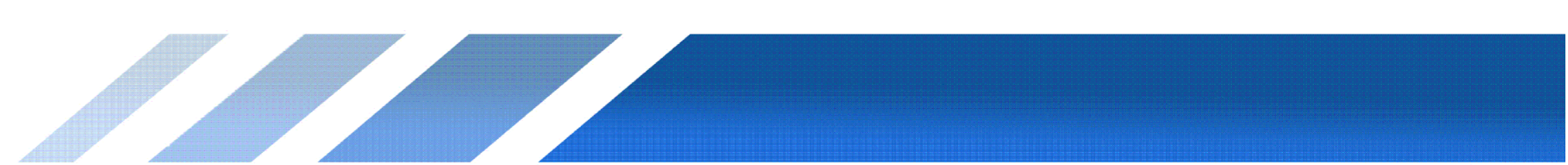


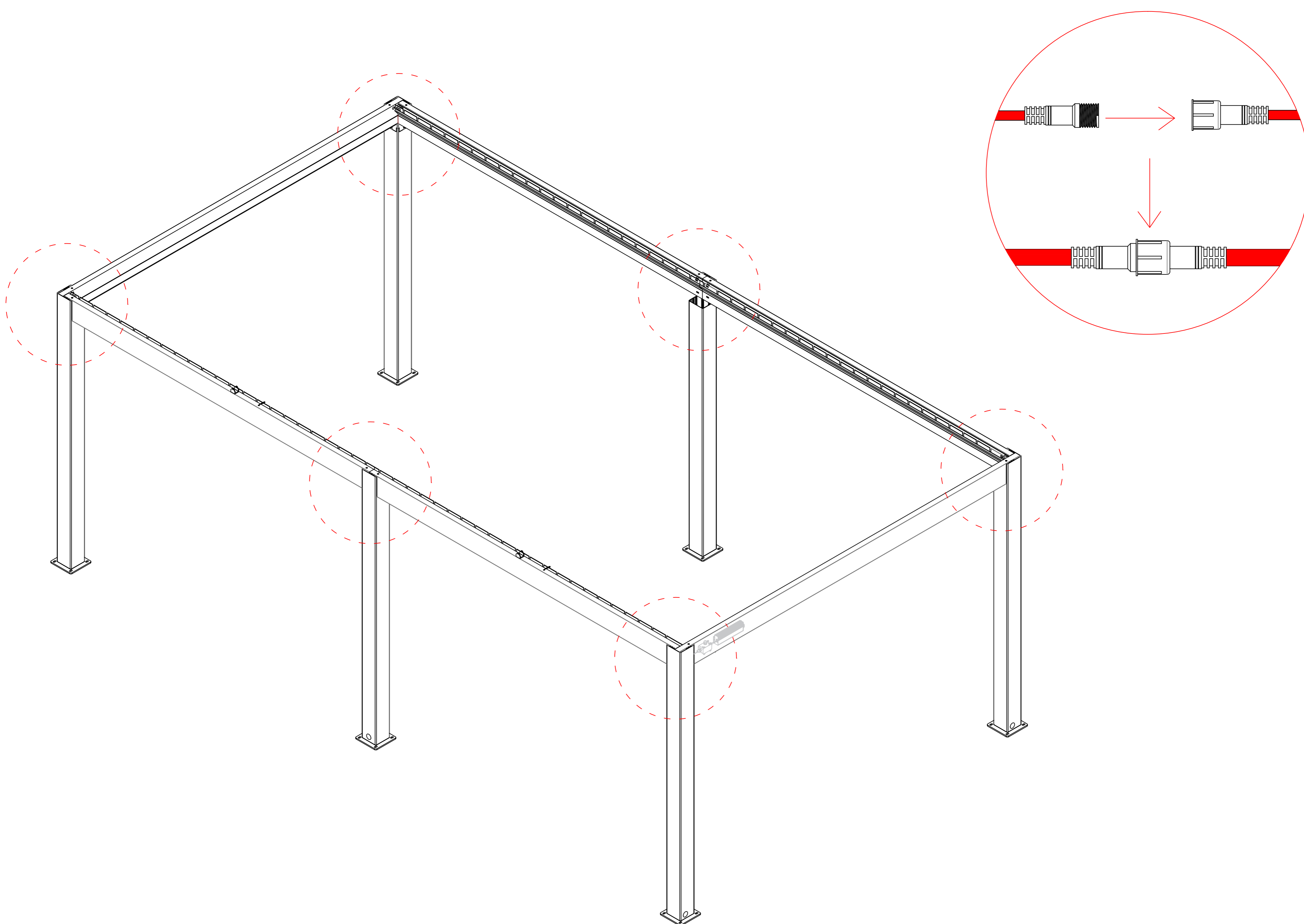
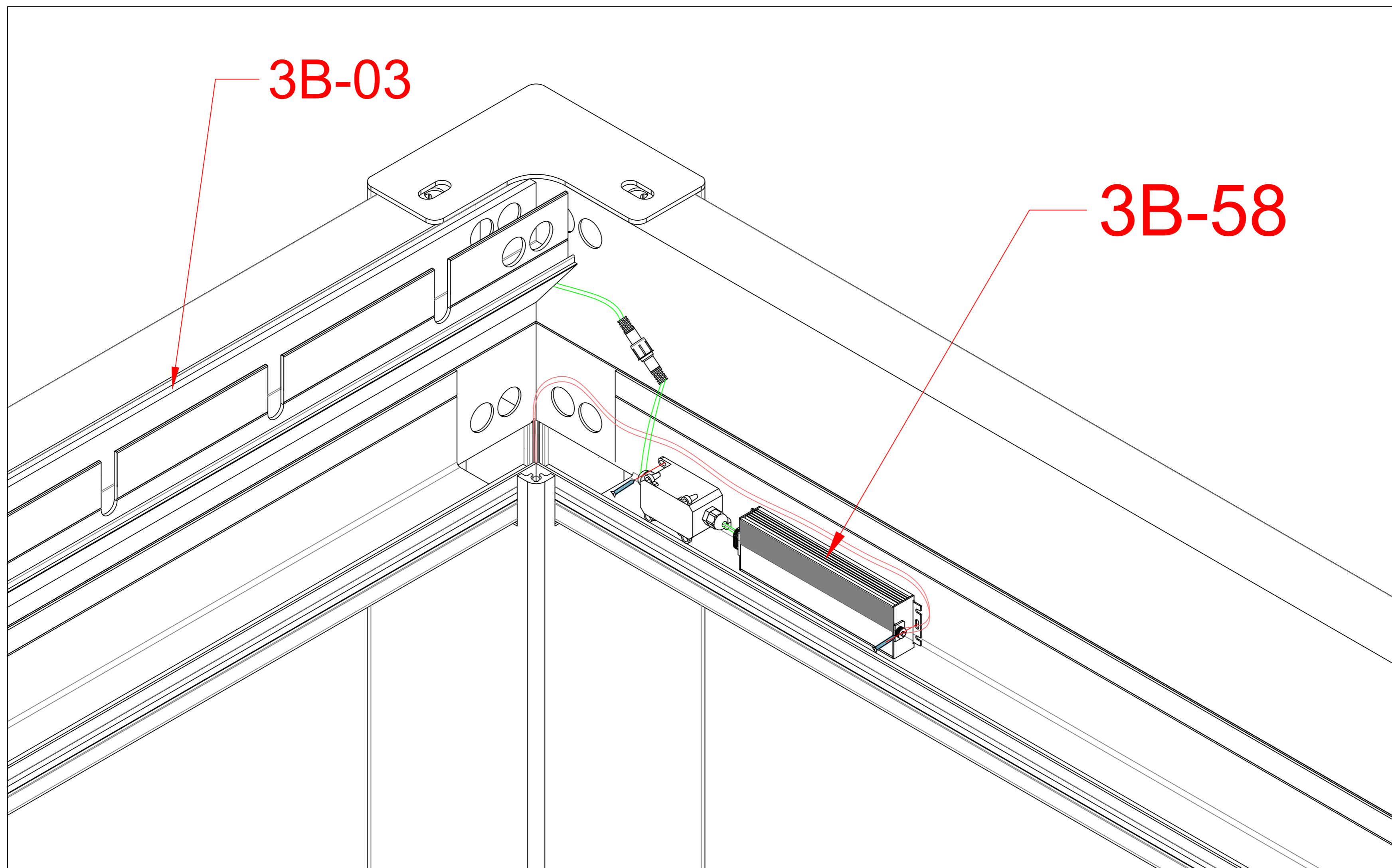
3B-21		24
-------	--	----

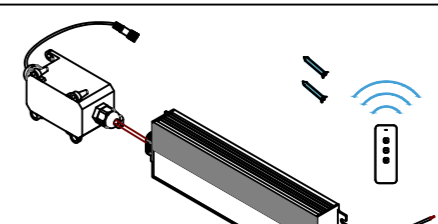


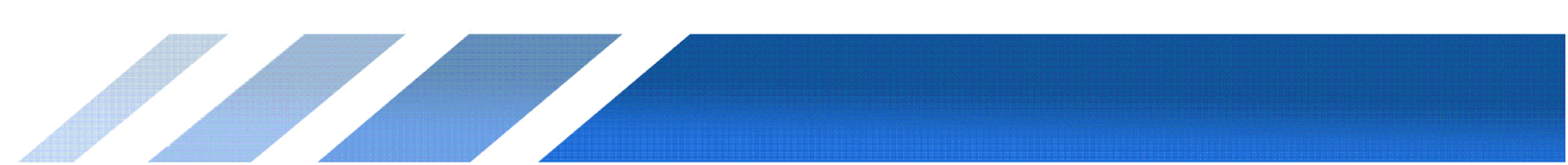


3B-26		2
3B-11		4
3B-19		16





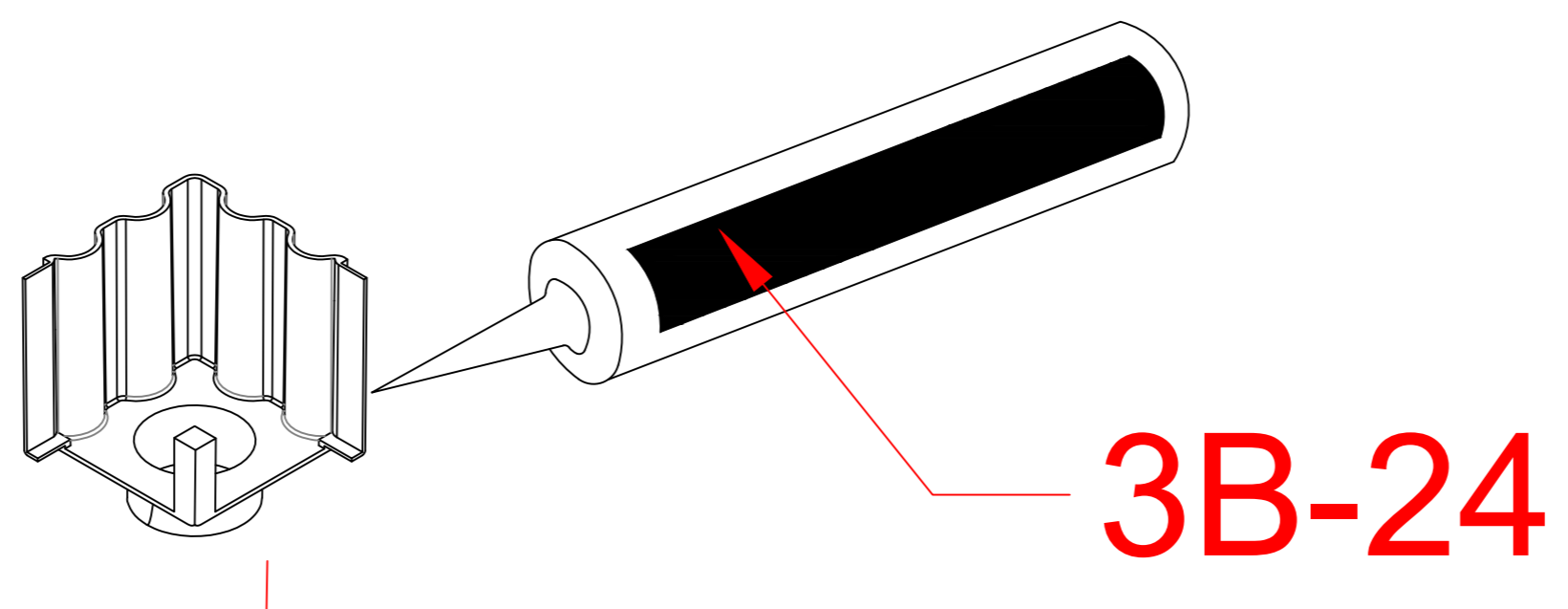
3B-58		1
-------	---	---



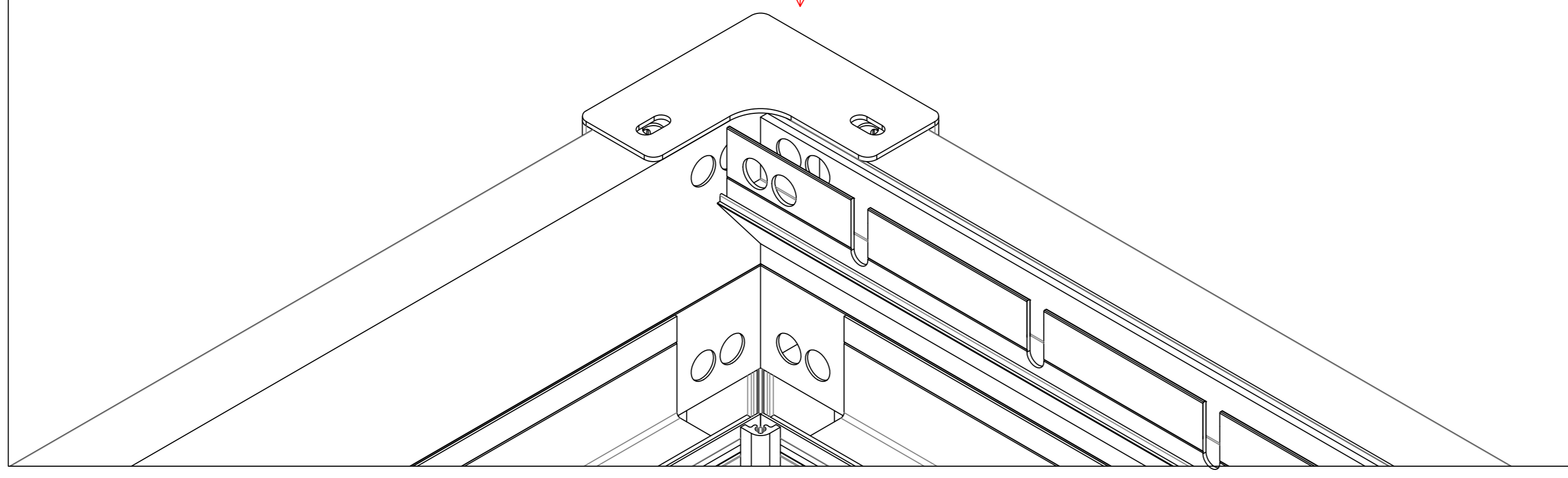




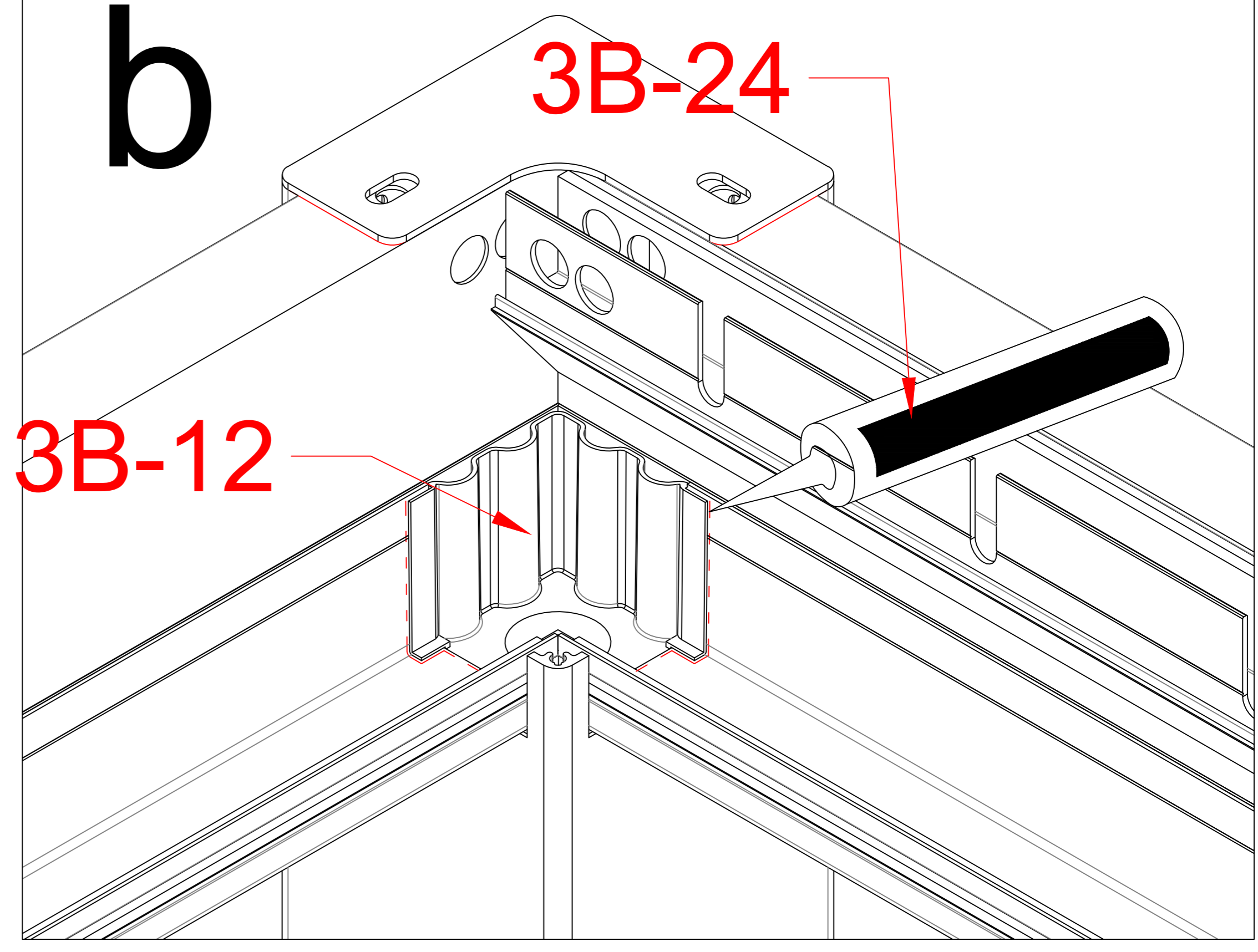
a



3B-24

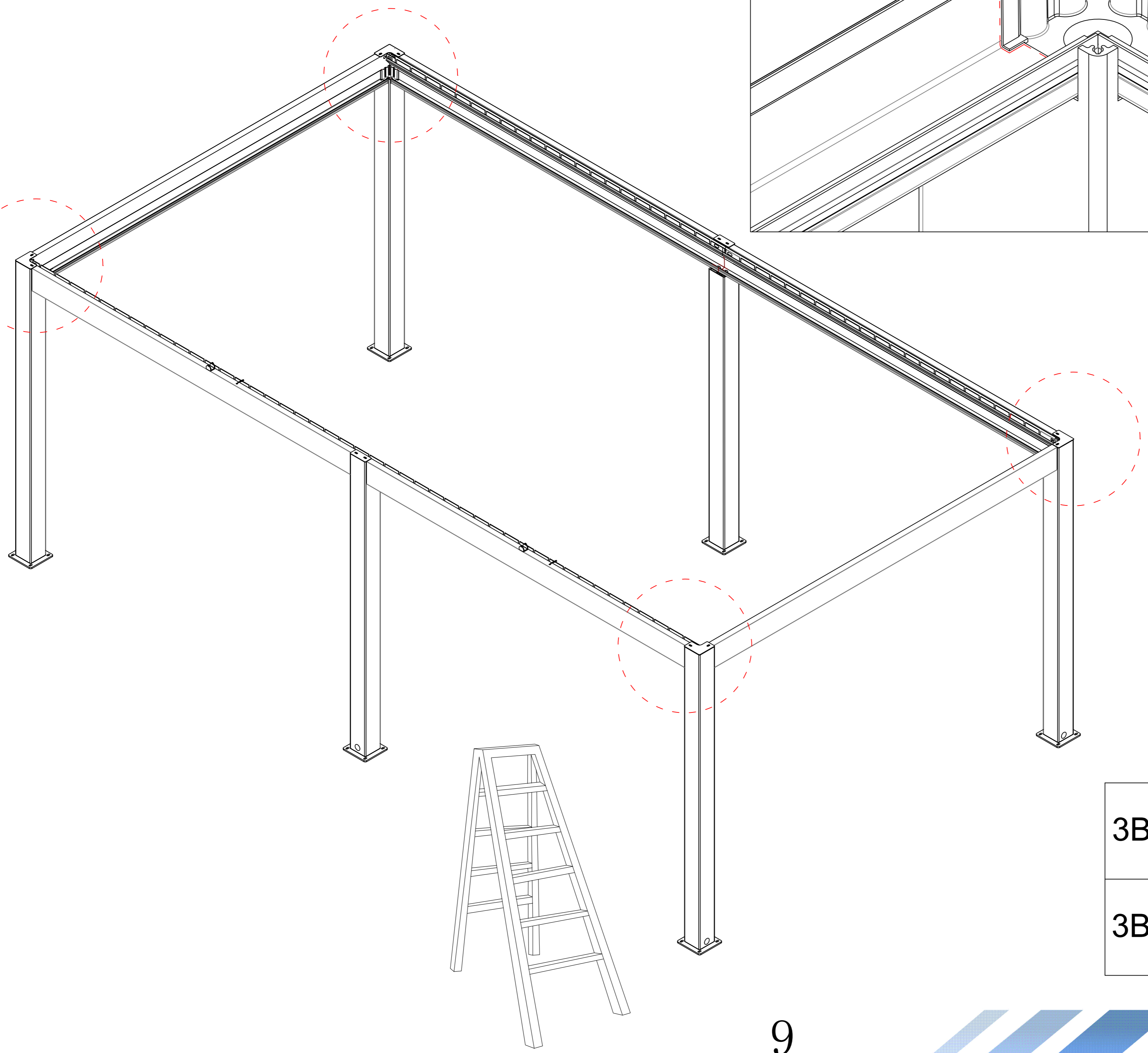


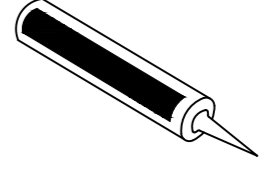
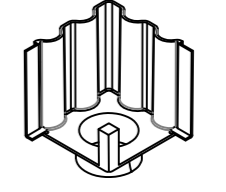
b

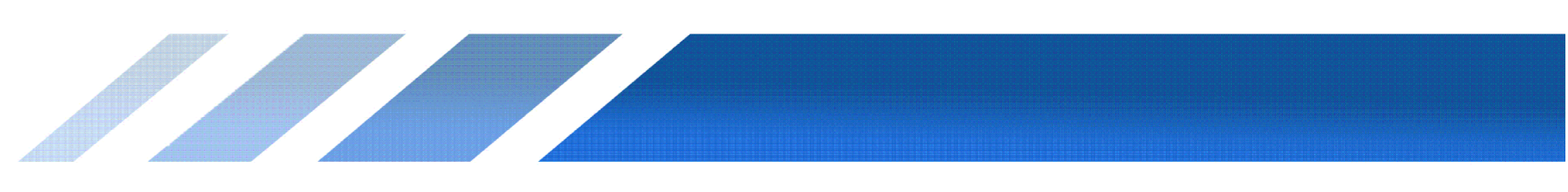


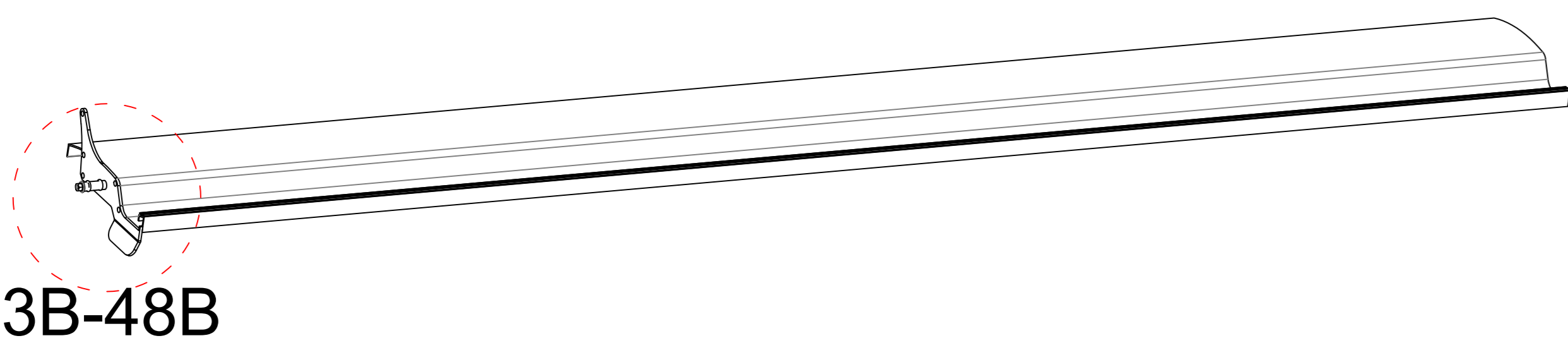
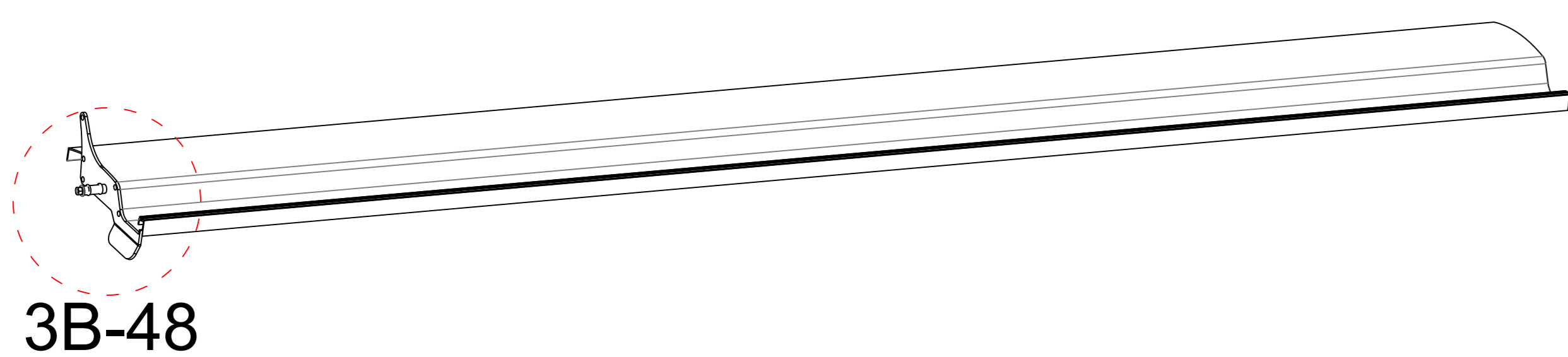
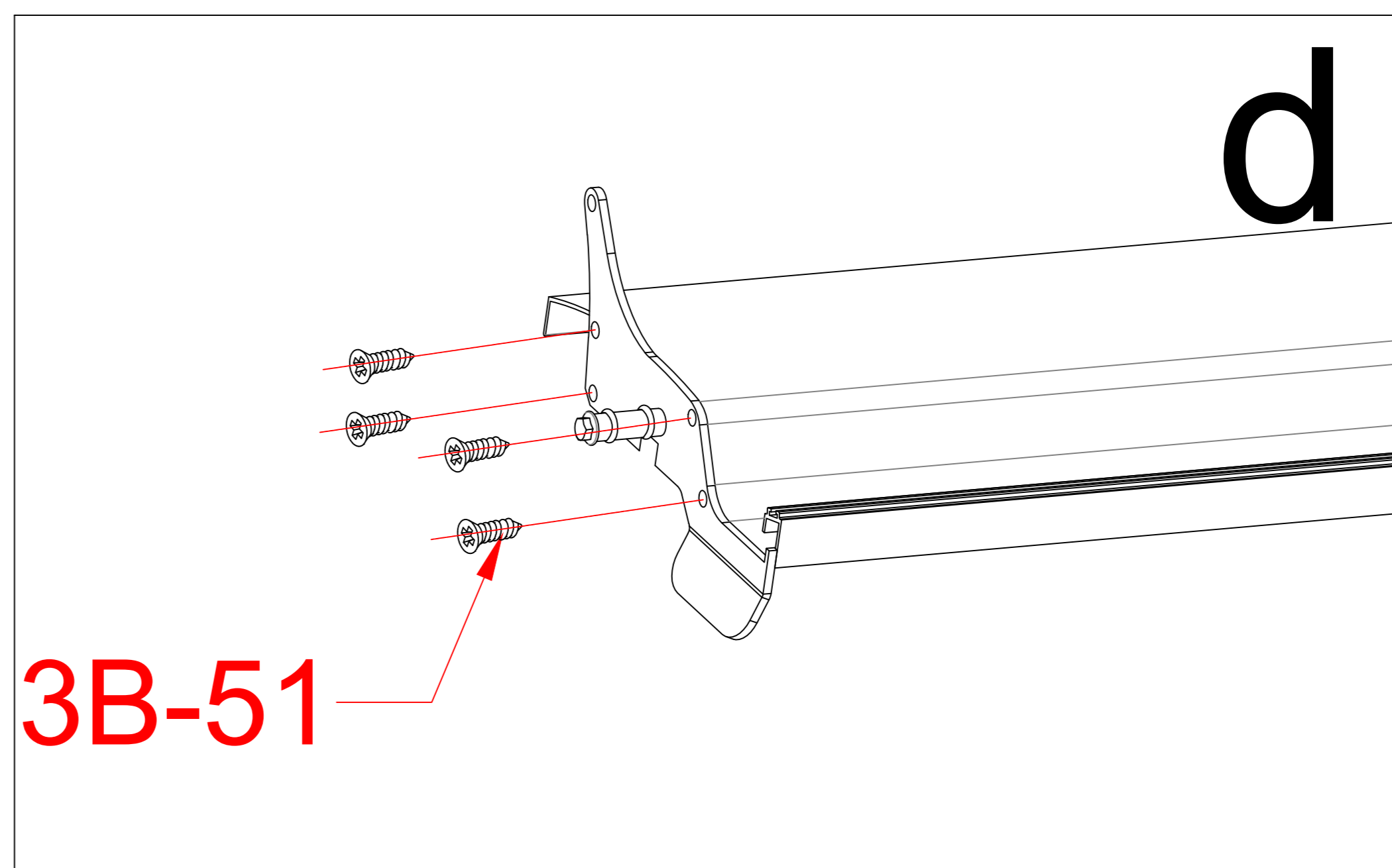
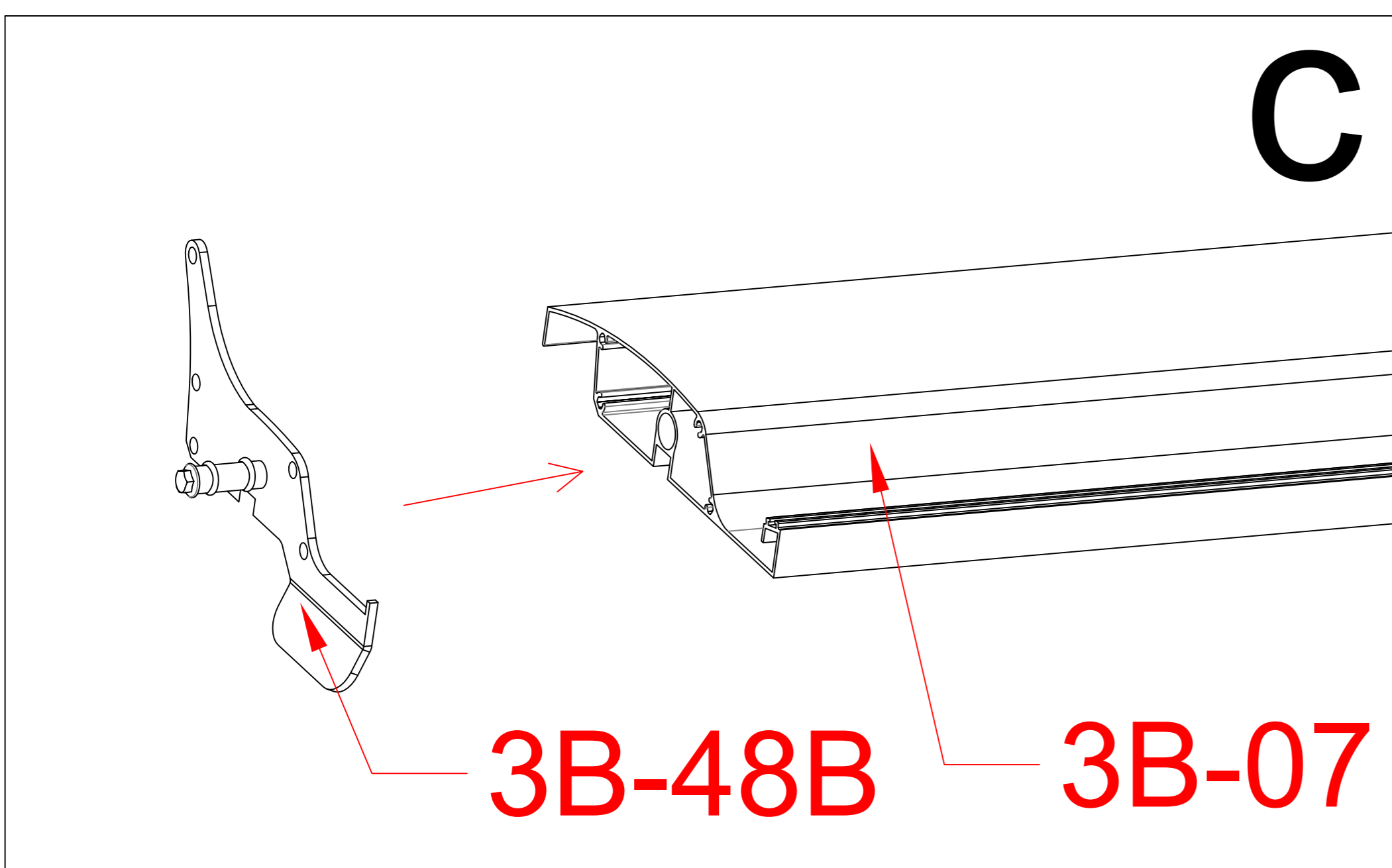
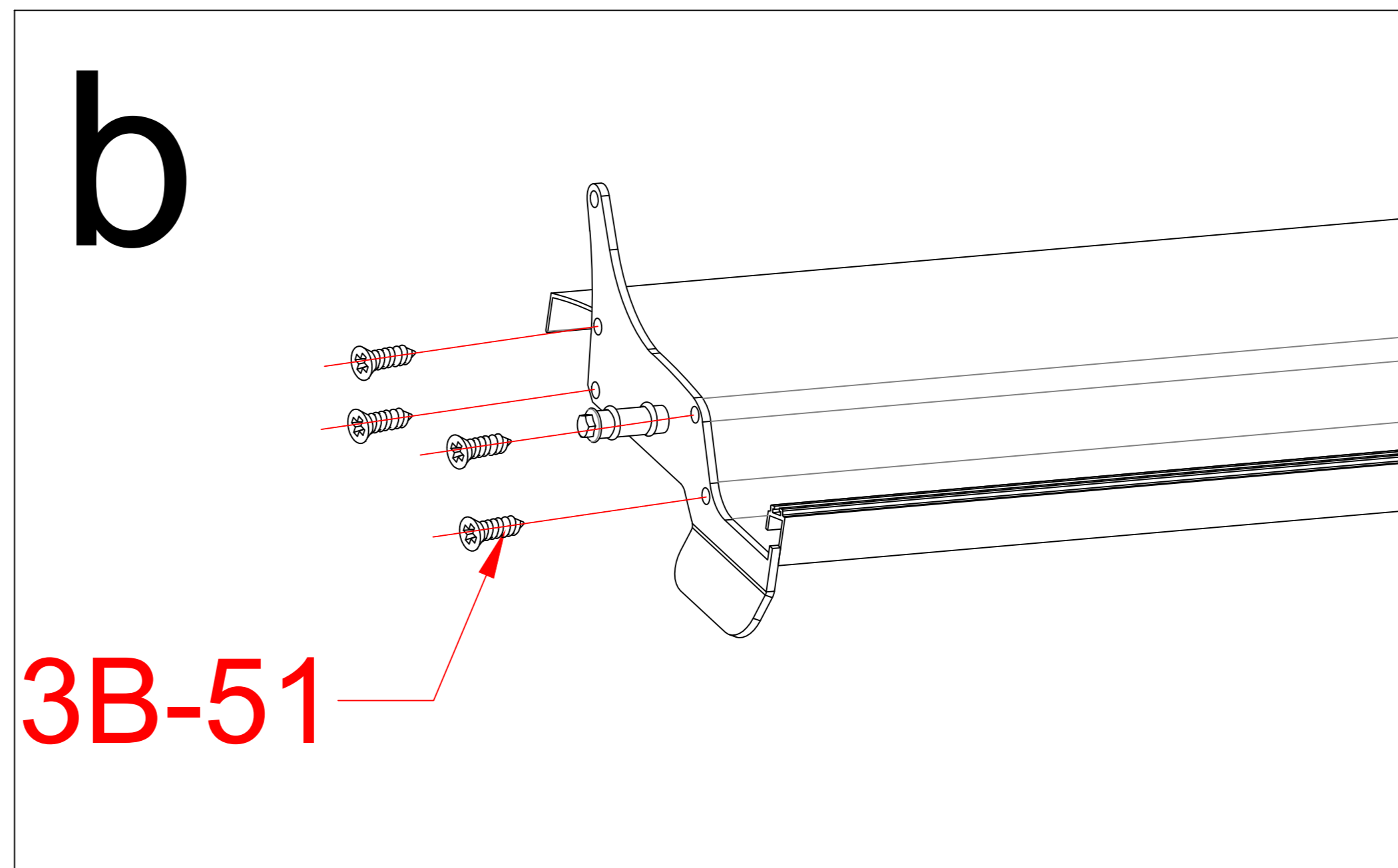
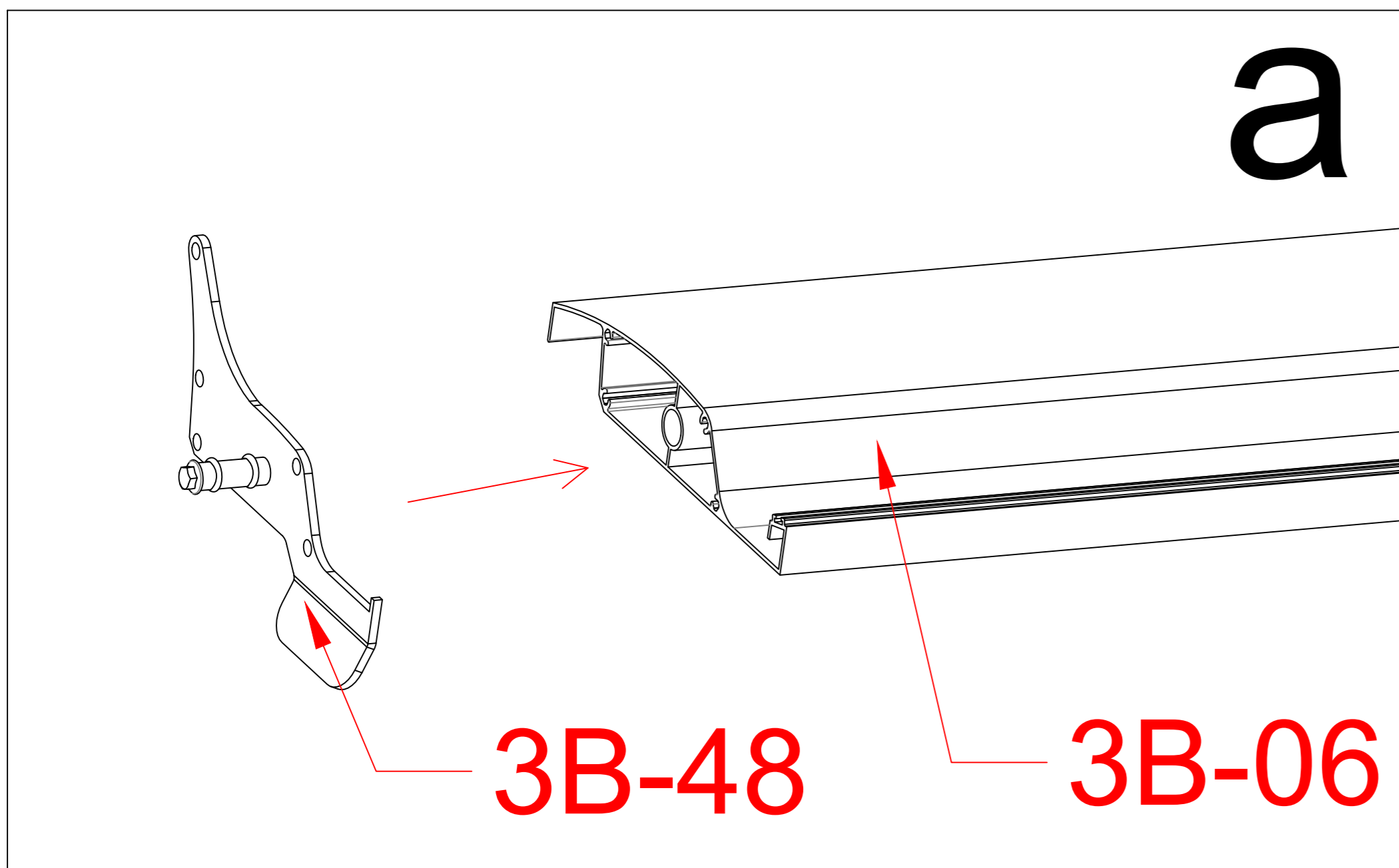
3B-24



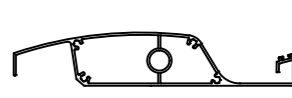
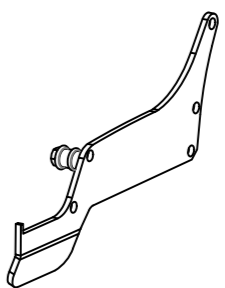

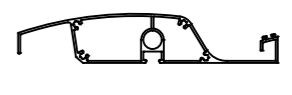
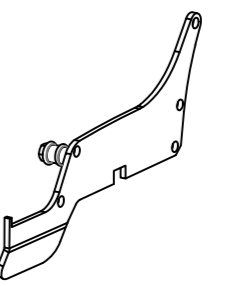
3B-12

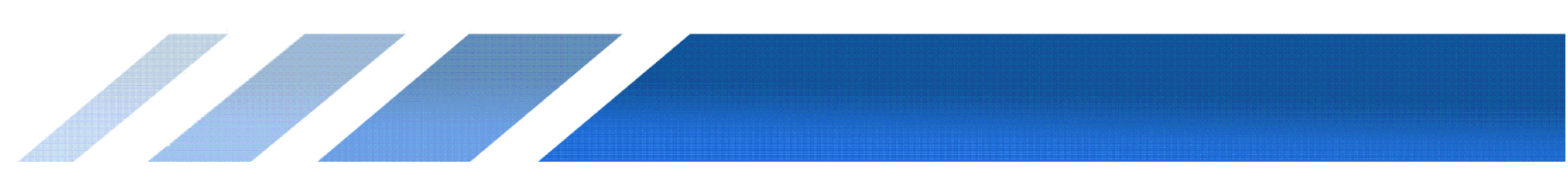


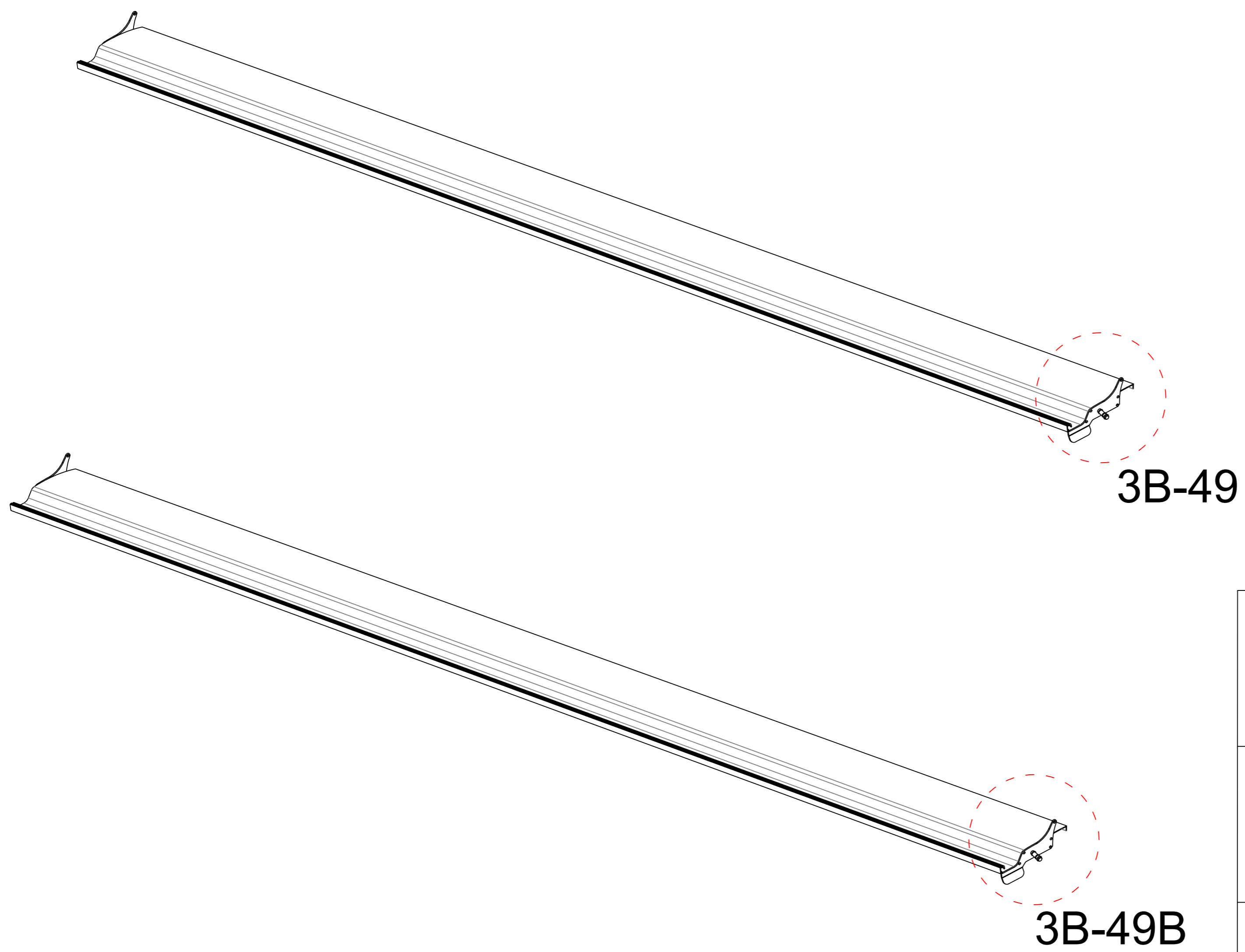
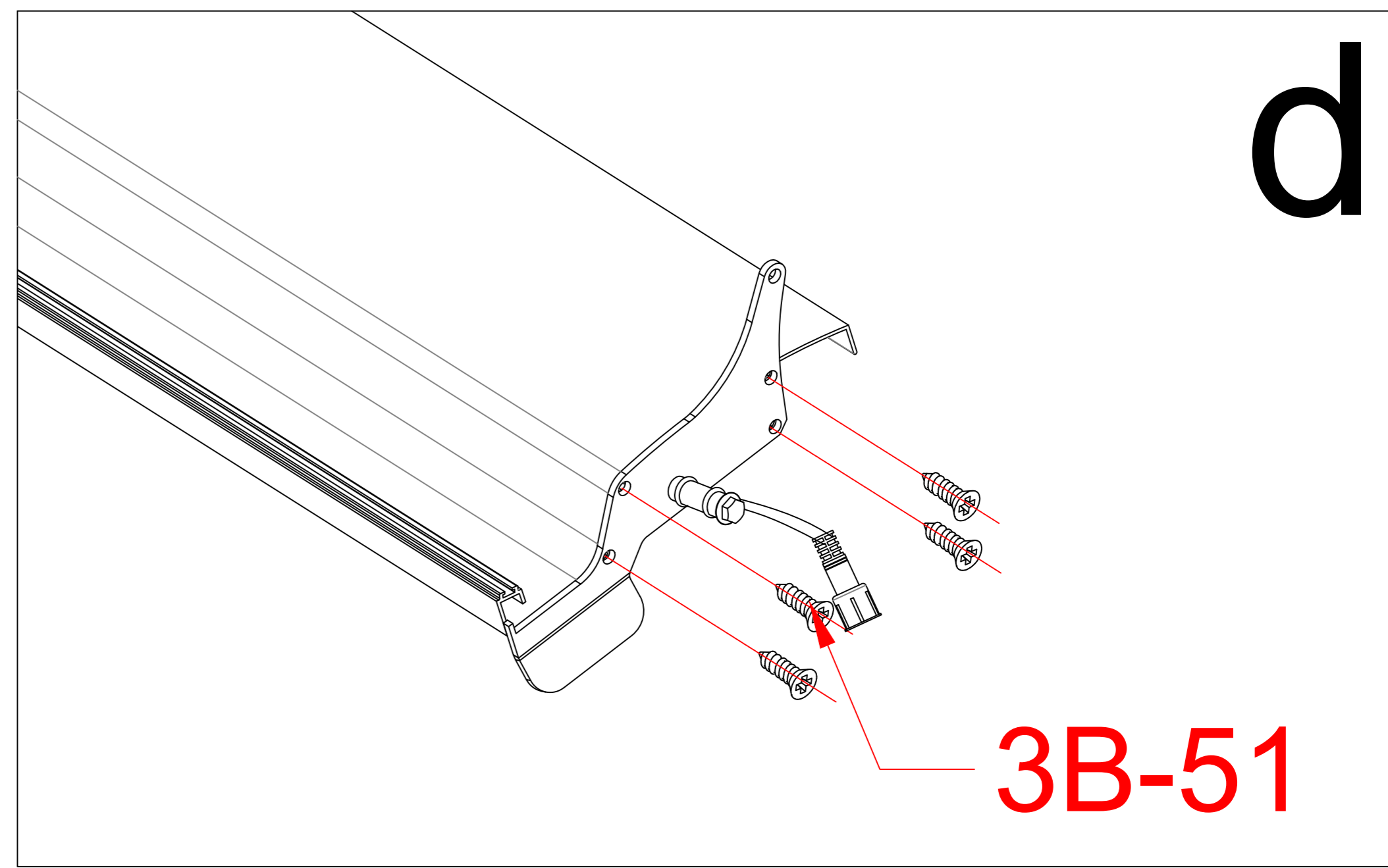
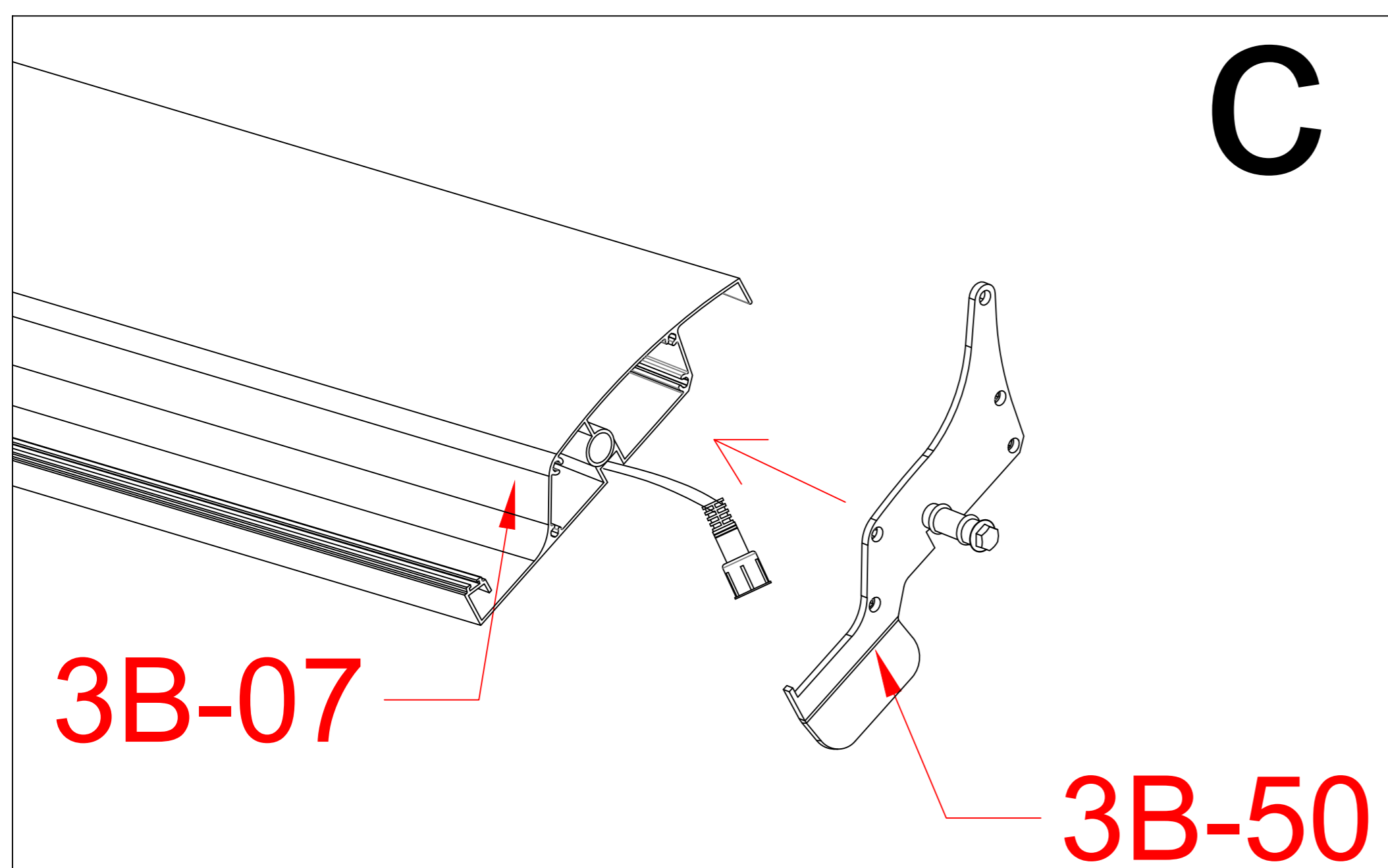
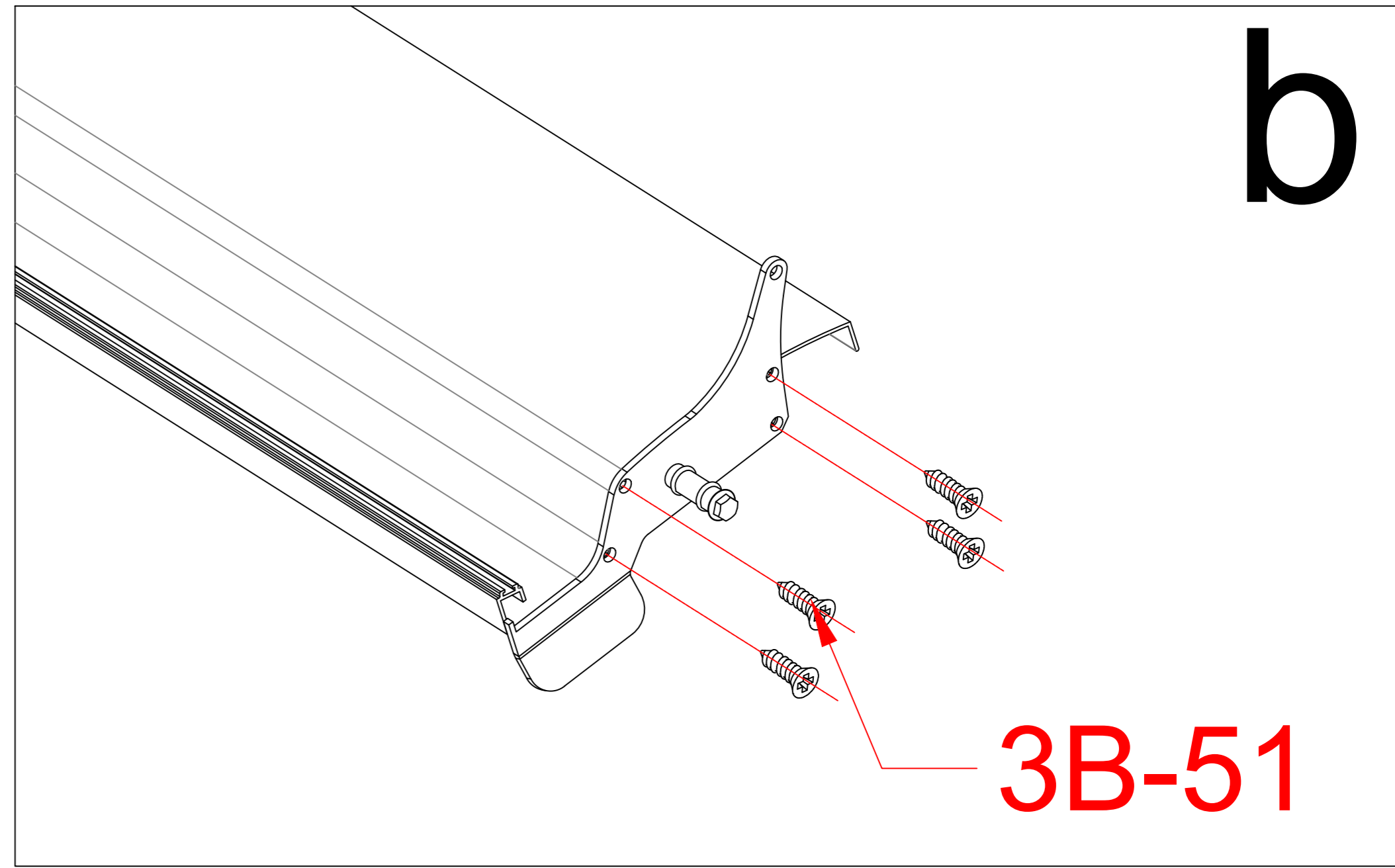
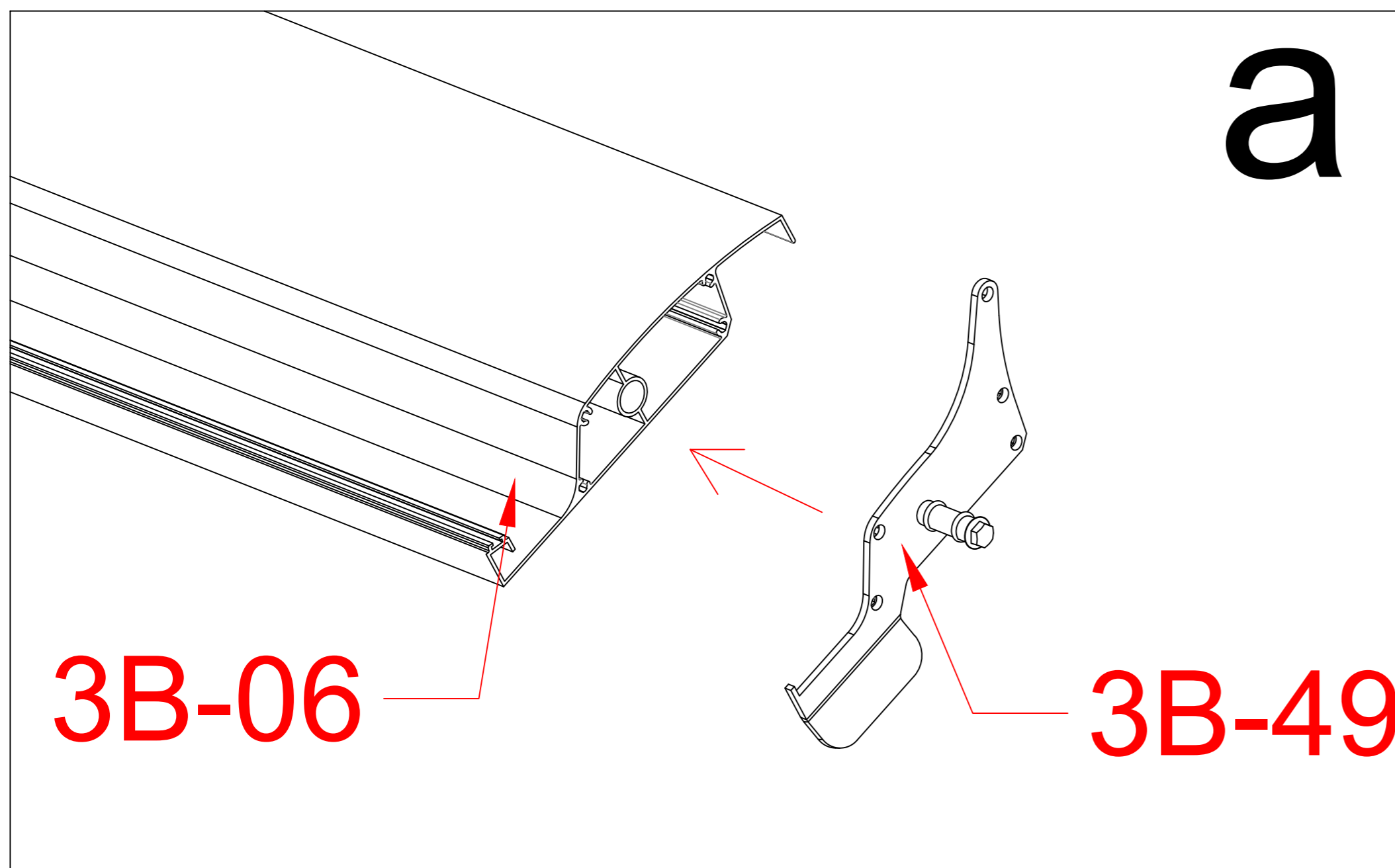
3B-24		1
3B-12		4



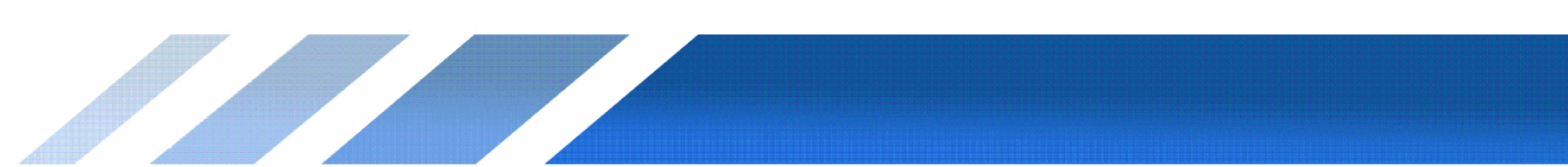


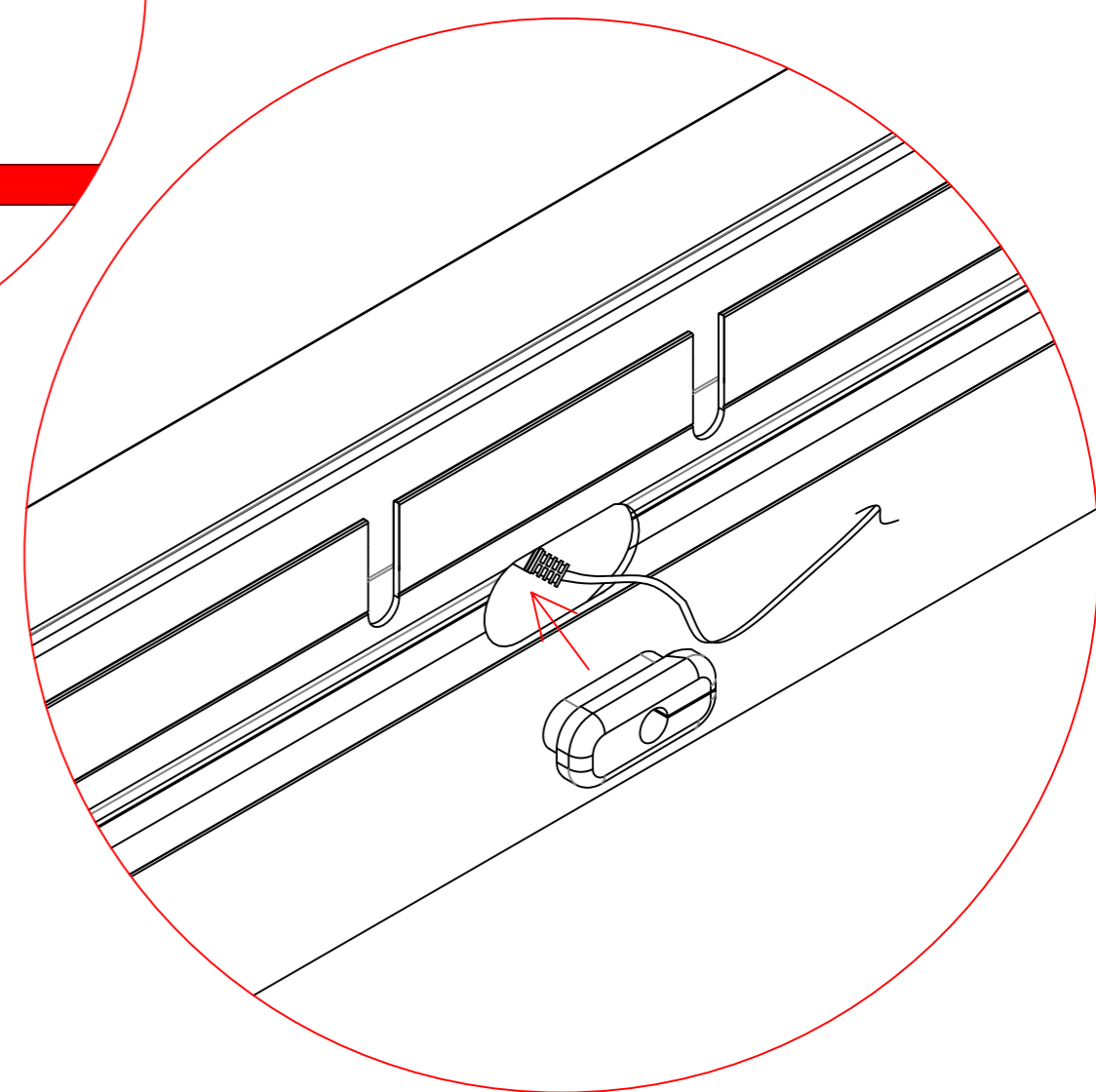
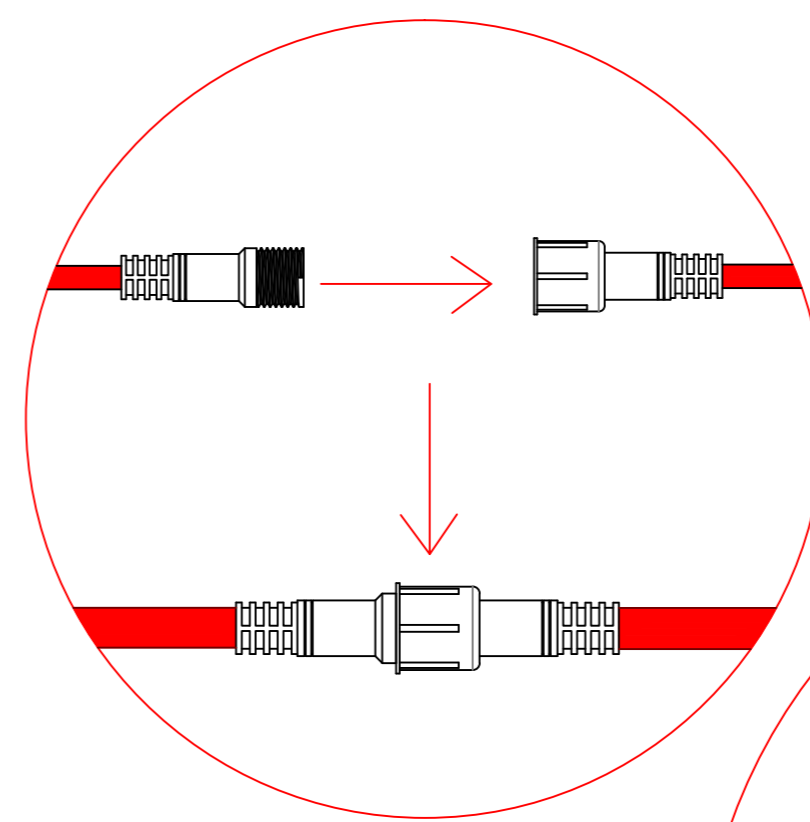
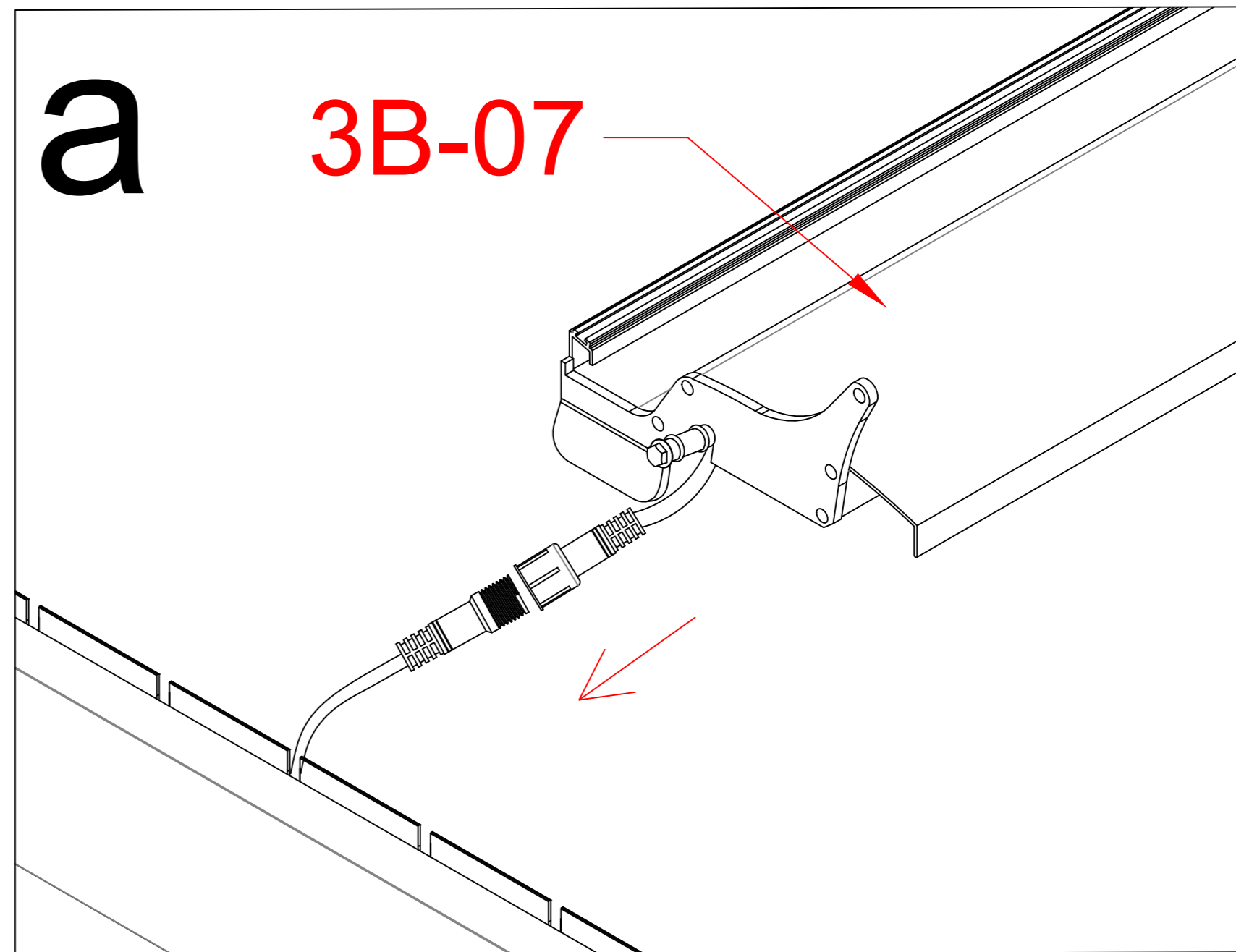
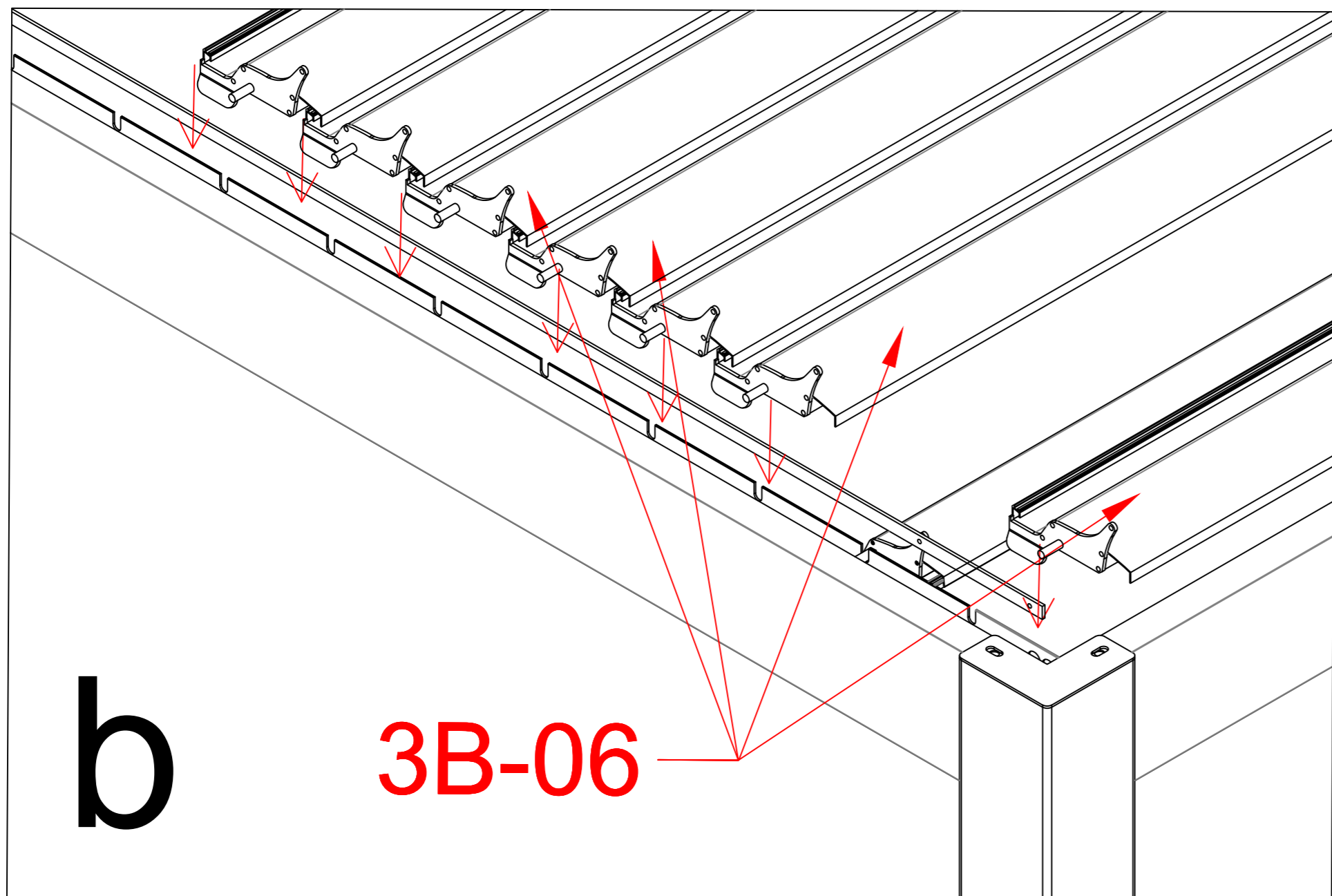
3B-51		184
3B-06	 	38
3B-48		38
3B-07	 	8
3B-48B		8



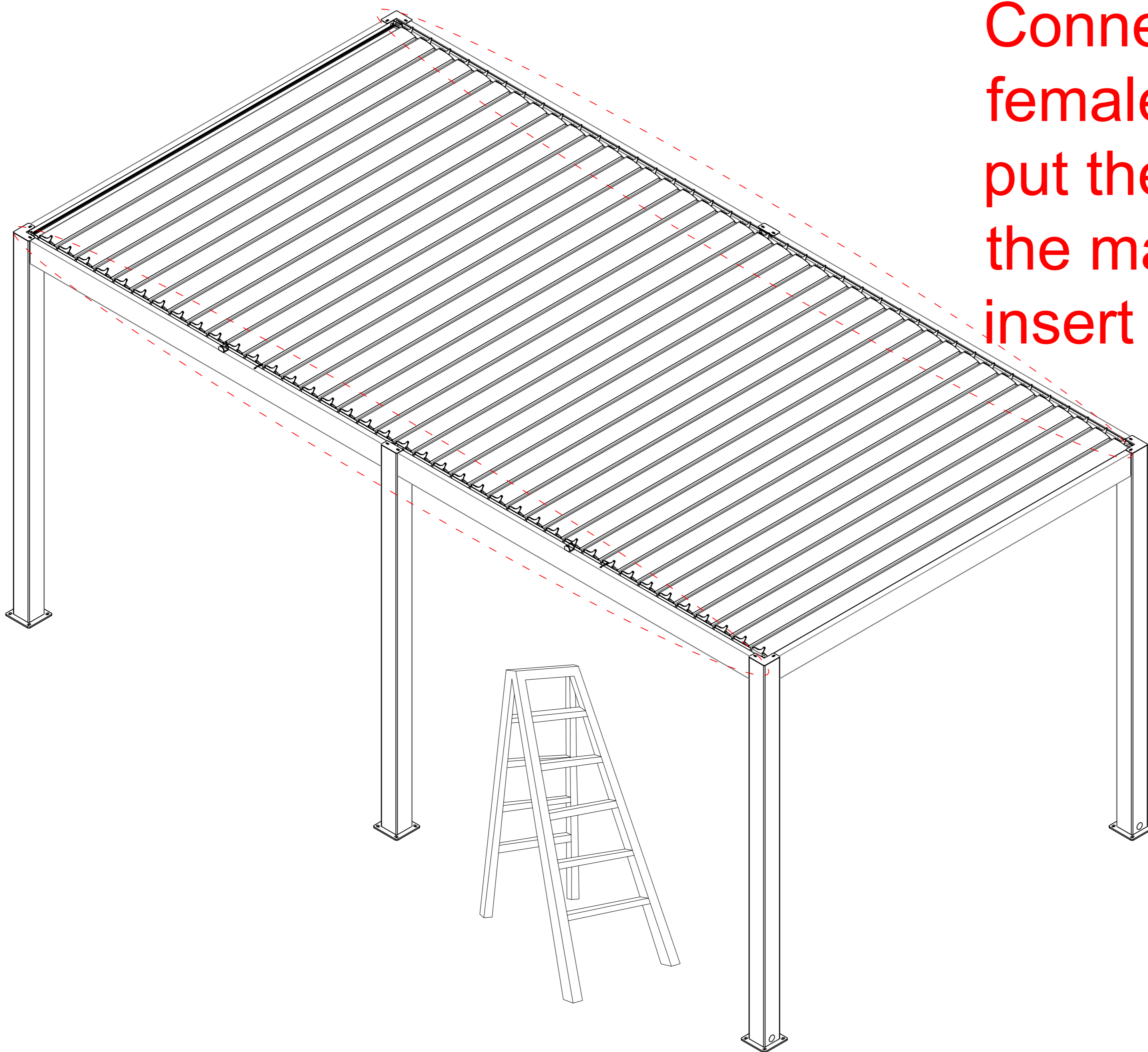


3B-49		38
3B-49B		8
3B-51		184

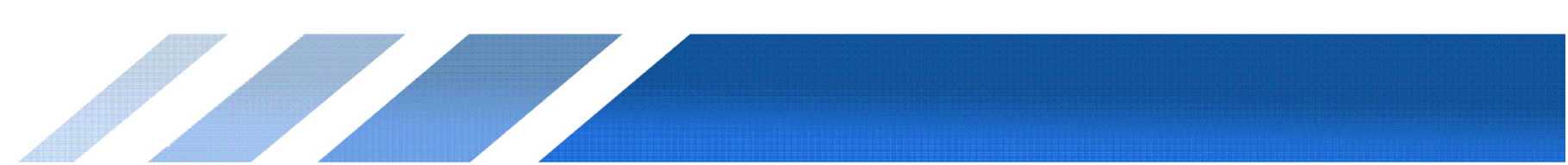


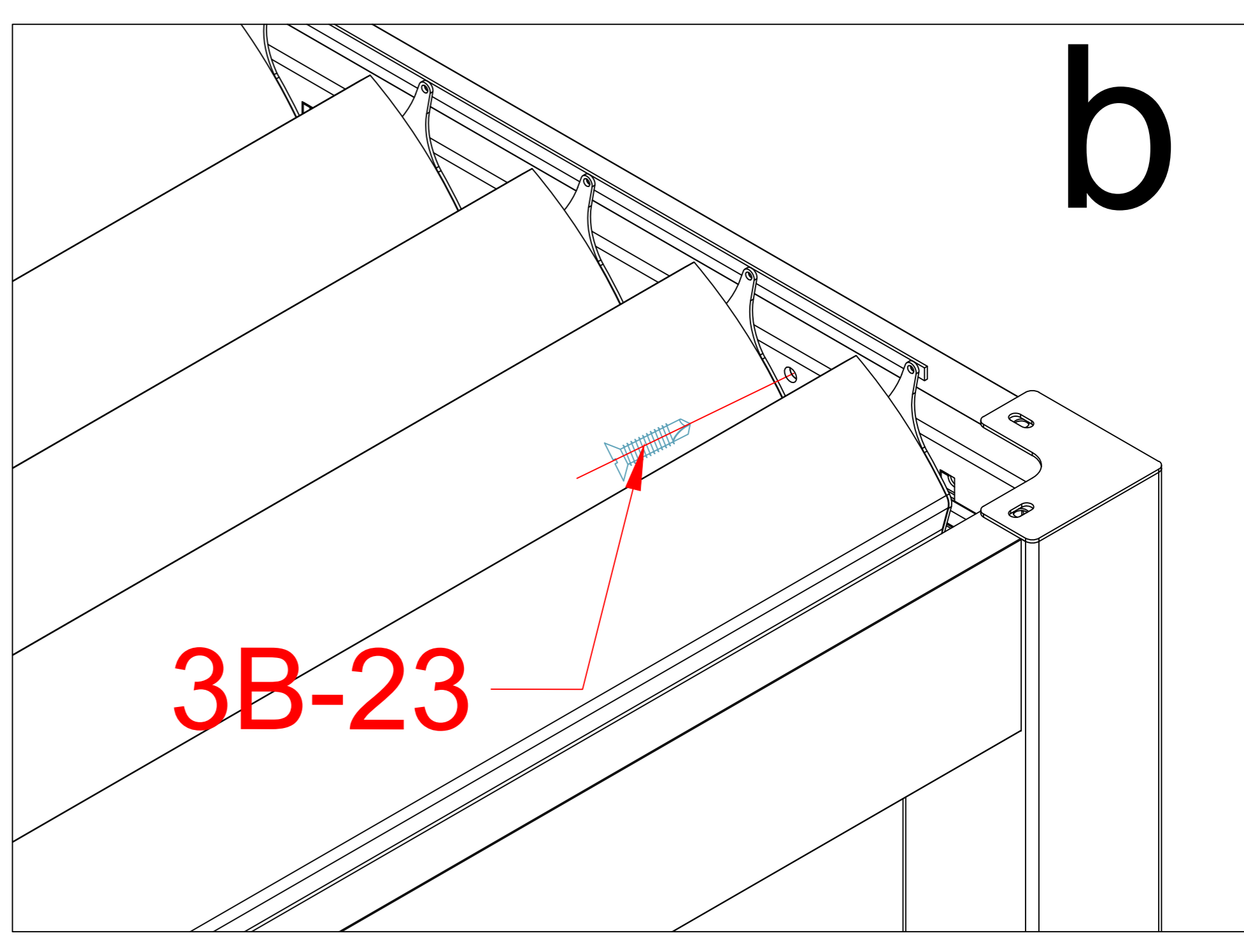
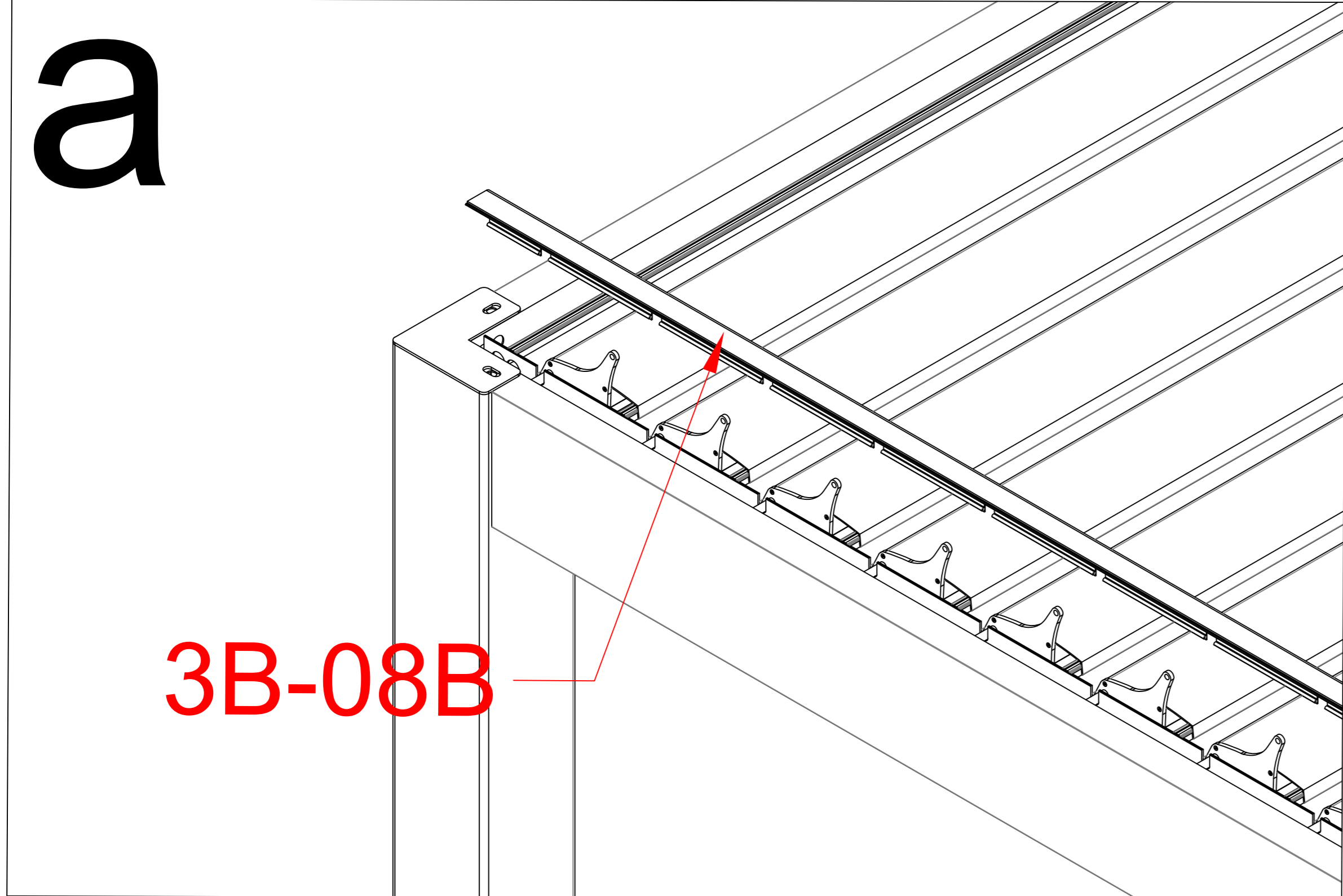


Connecting the male and female connectors, then put them into the holes in the main beam, and finally insert the plugs.

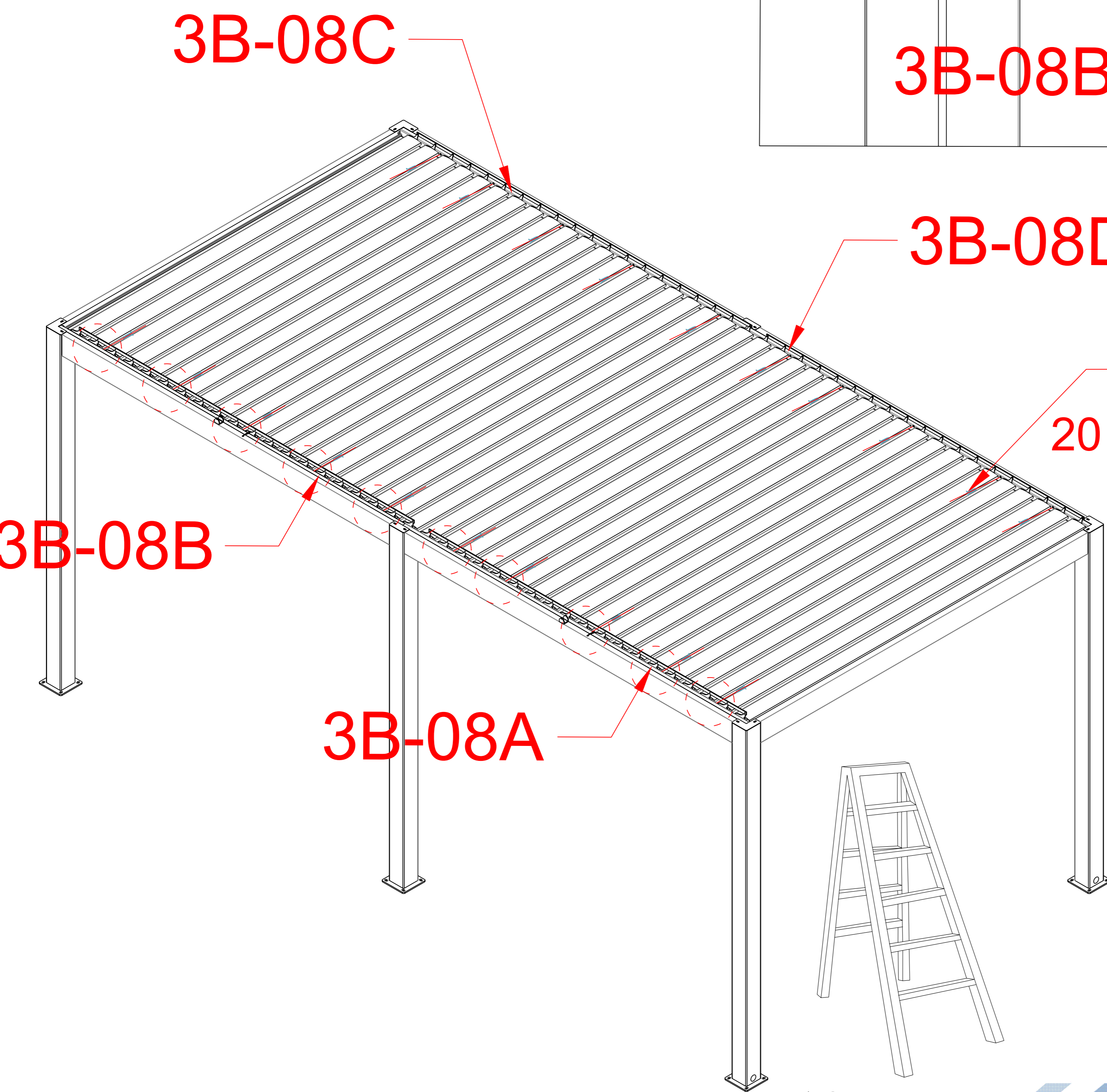
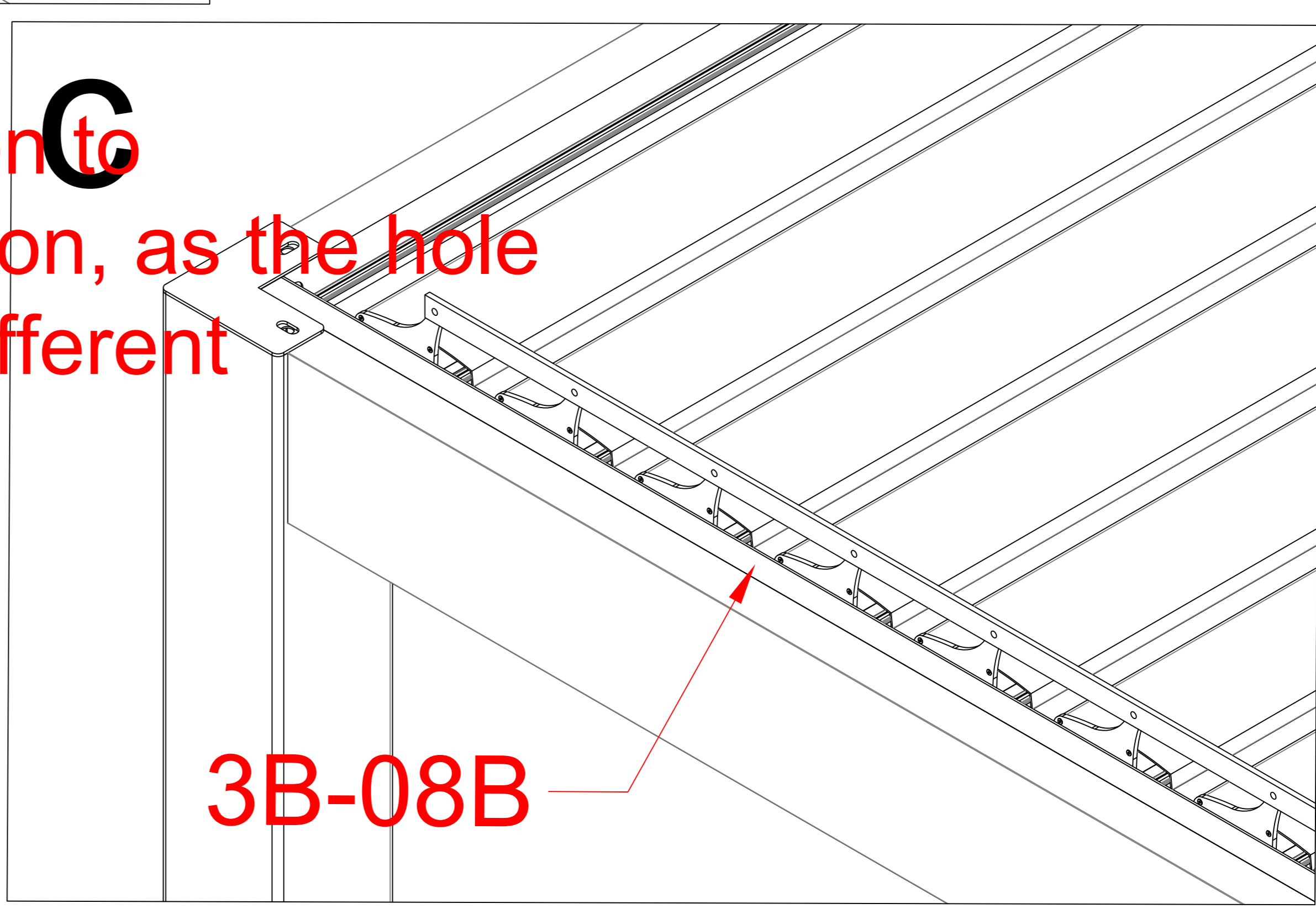


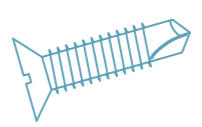
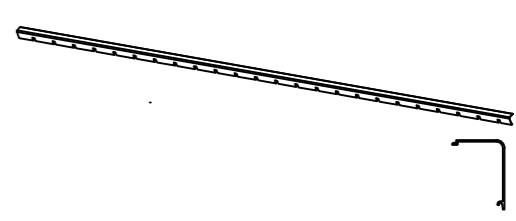
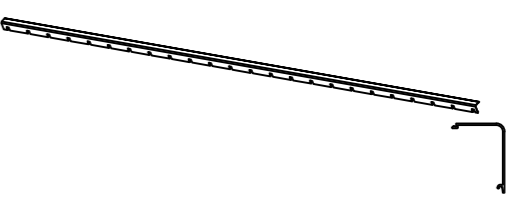
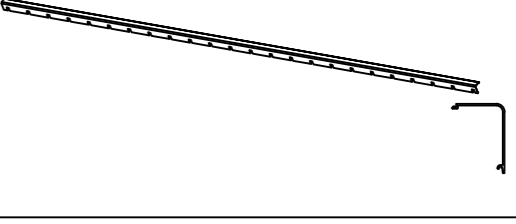
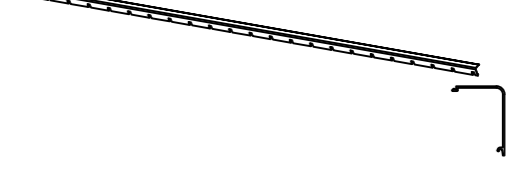
3B-06		X-2
-------	--	-----

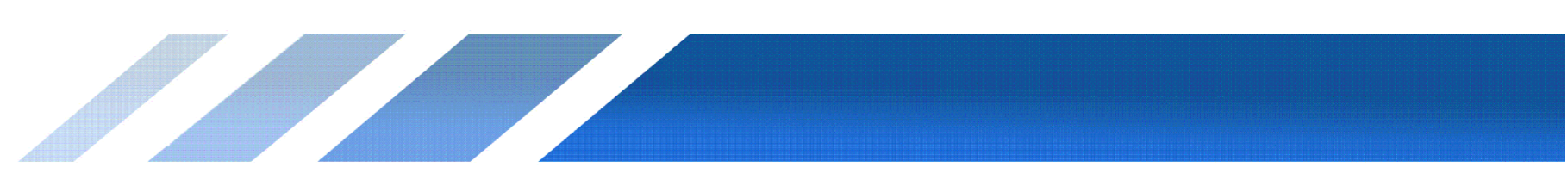


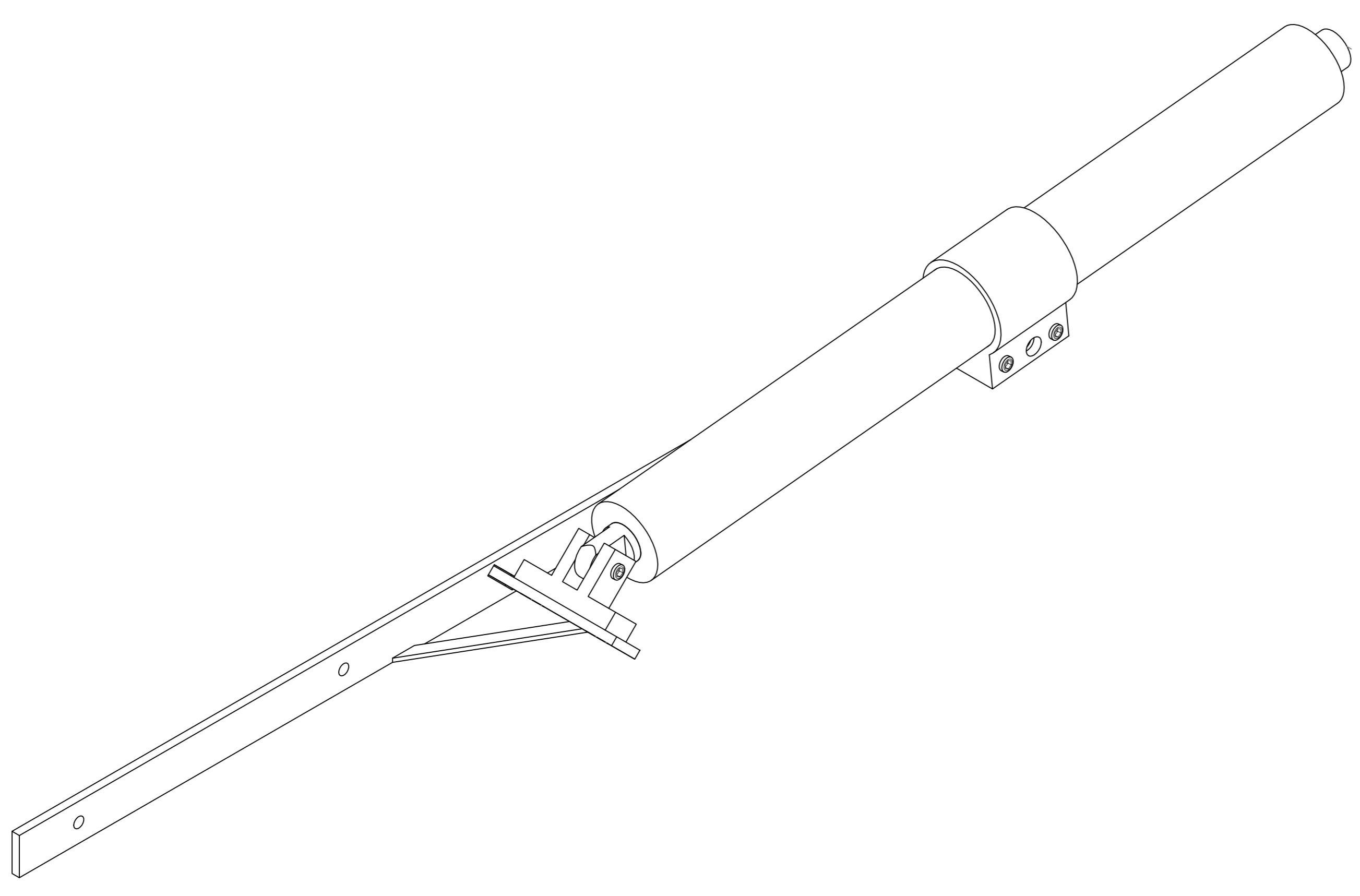
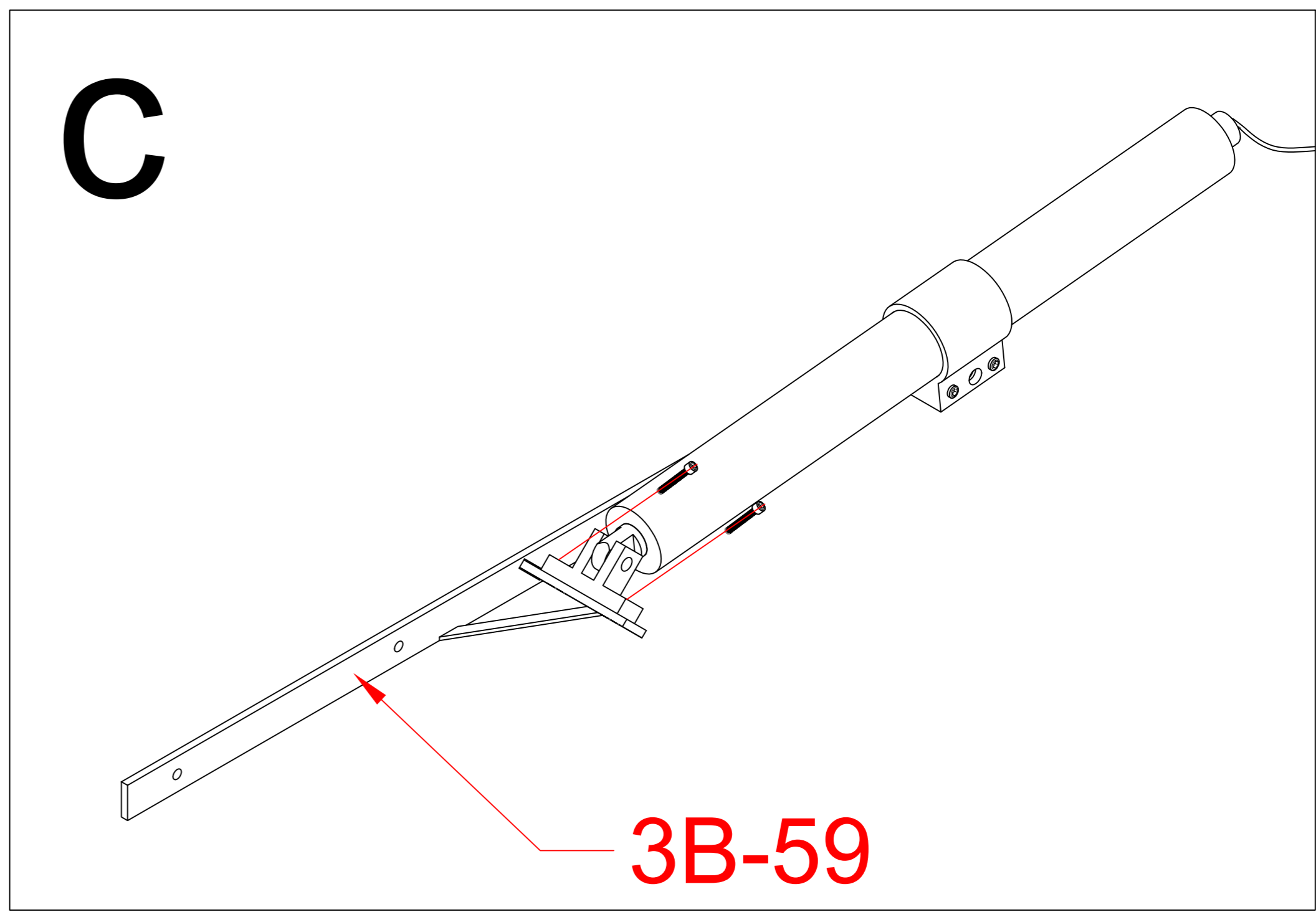
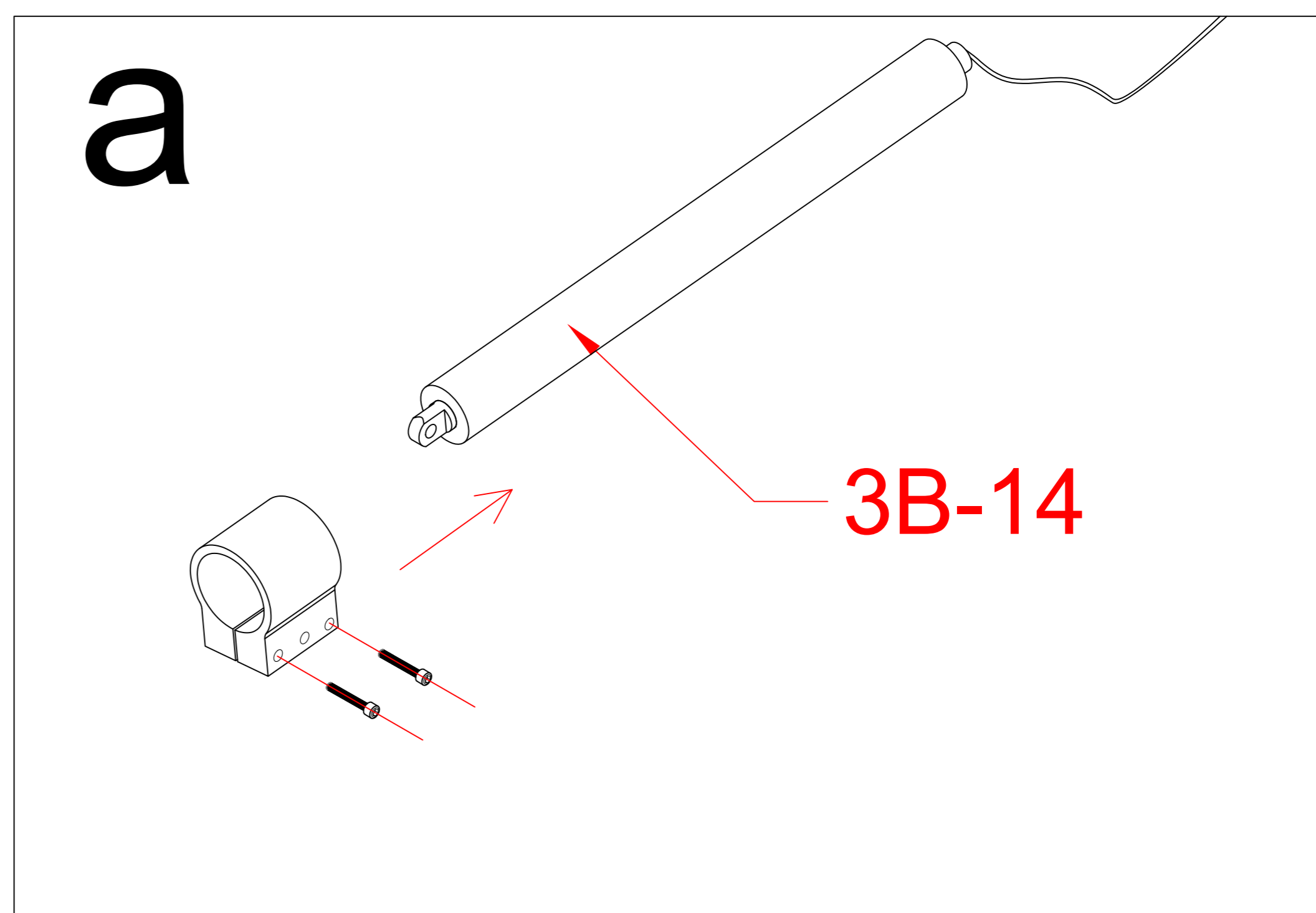
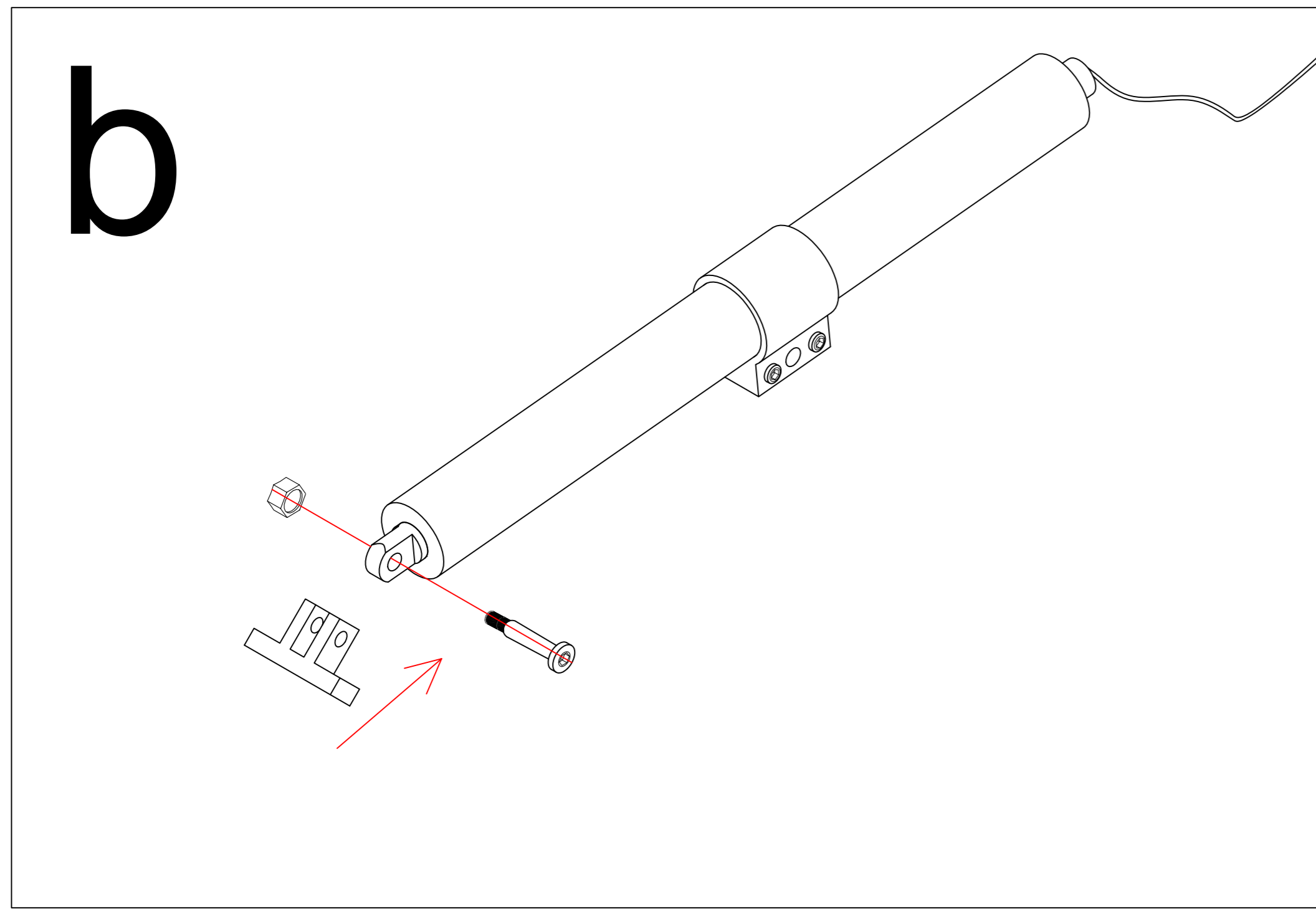


Attention: Please pay attention to differentiation during installation, as the hole positions on both sides are different

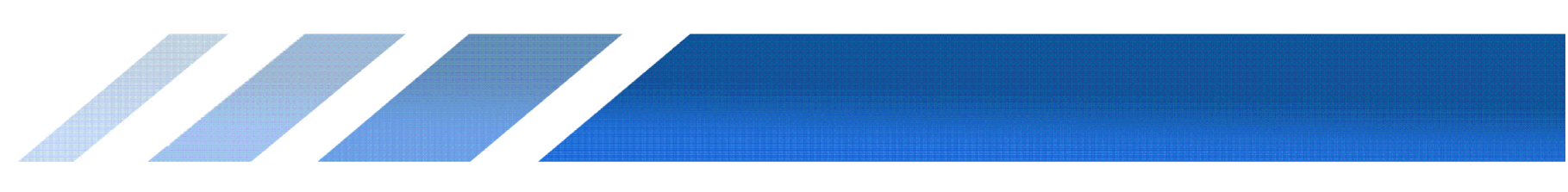


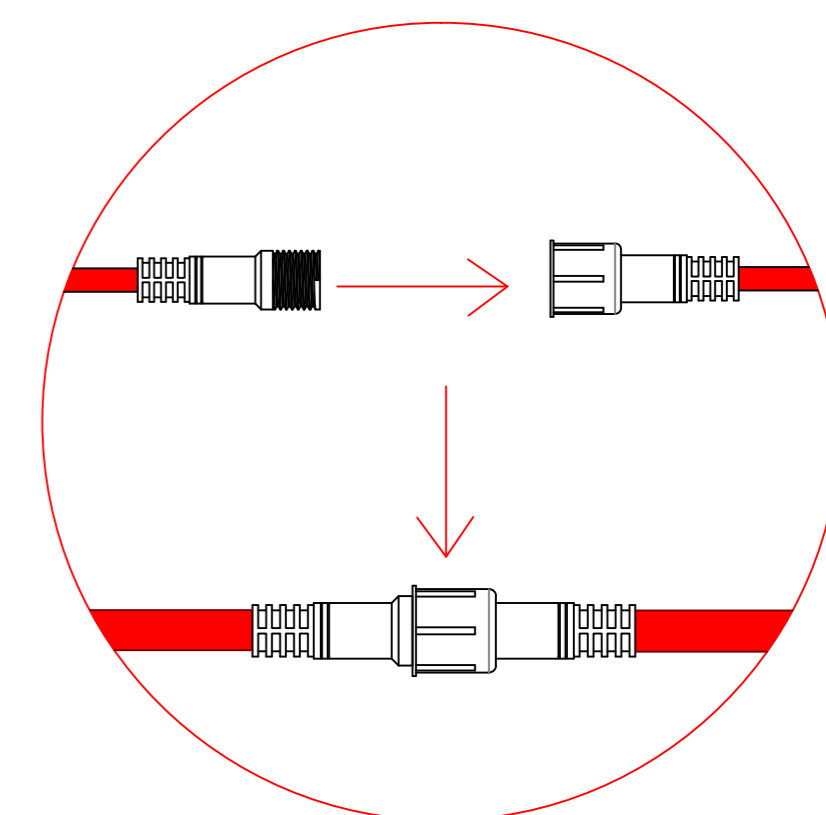
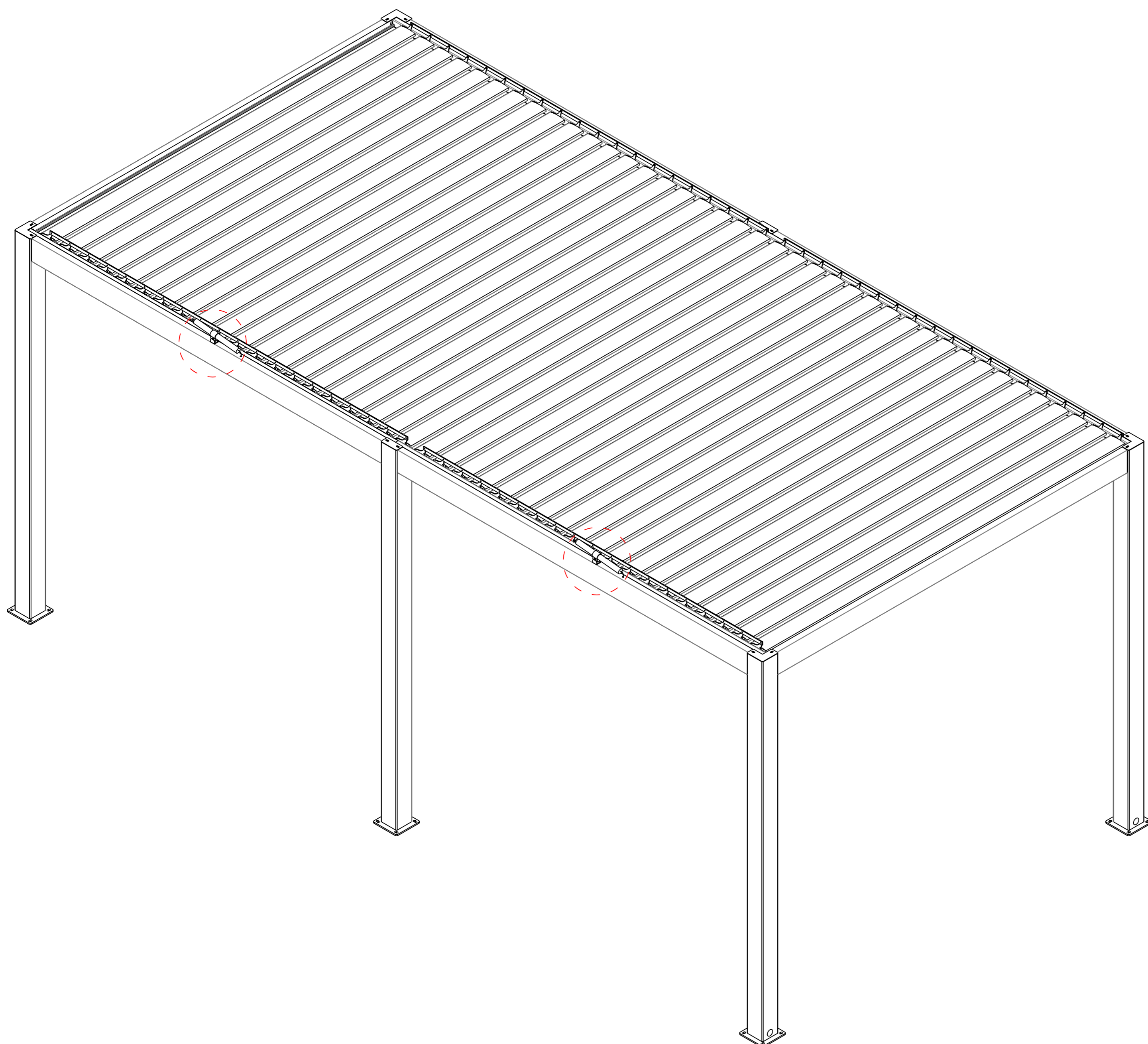
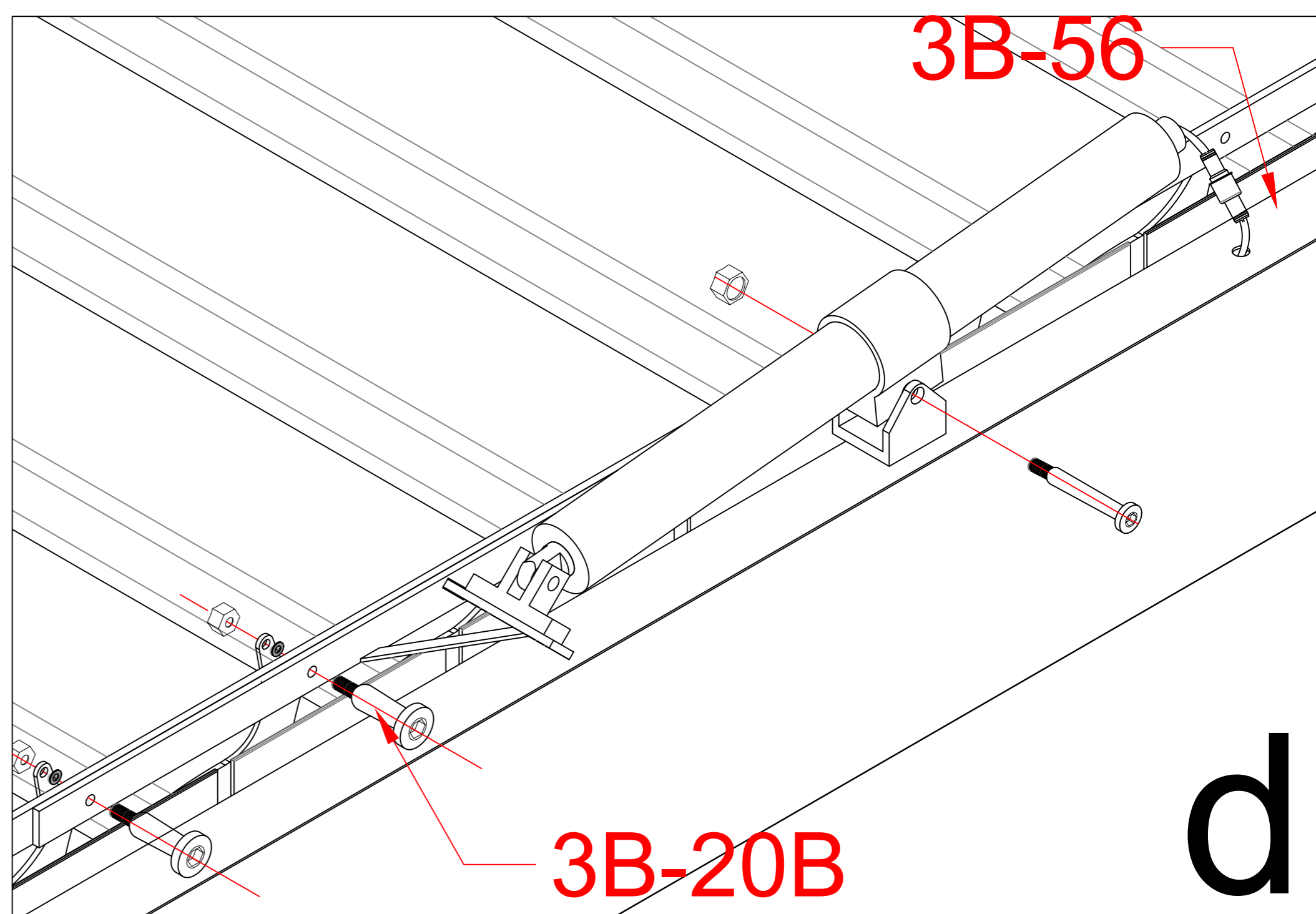
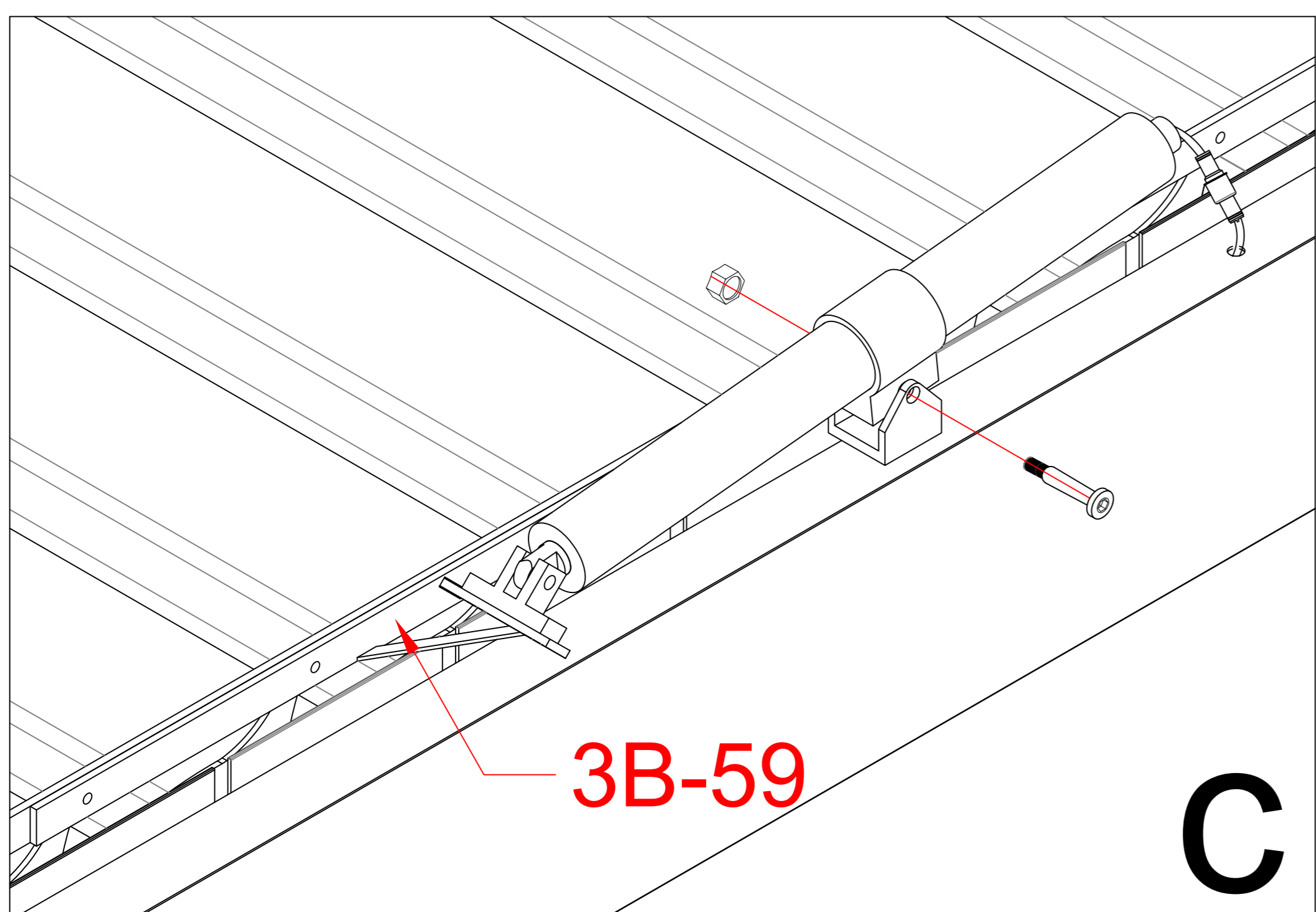
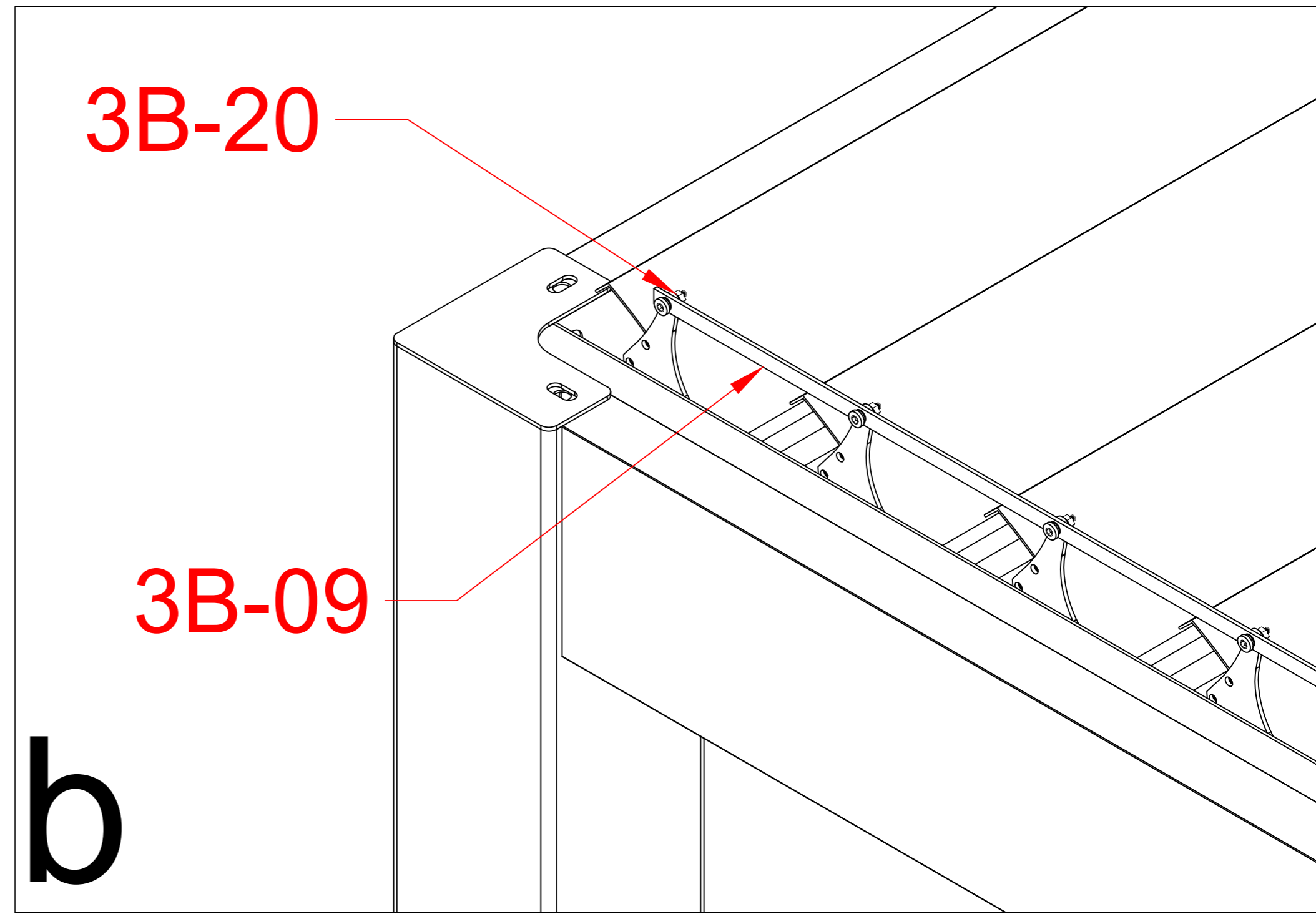
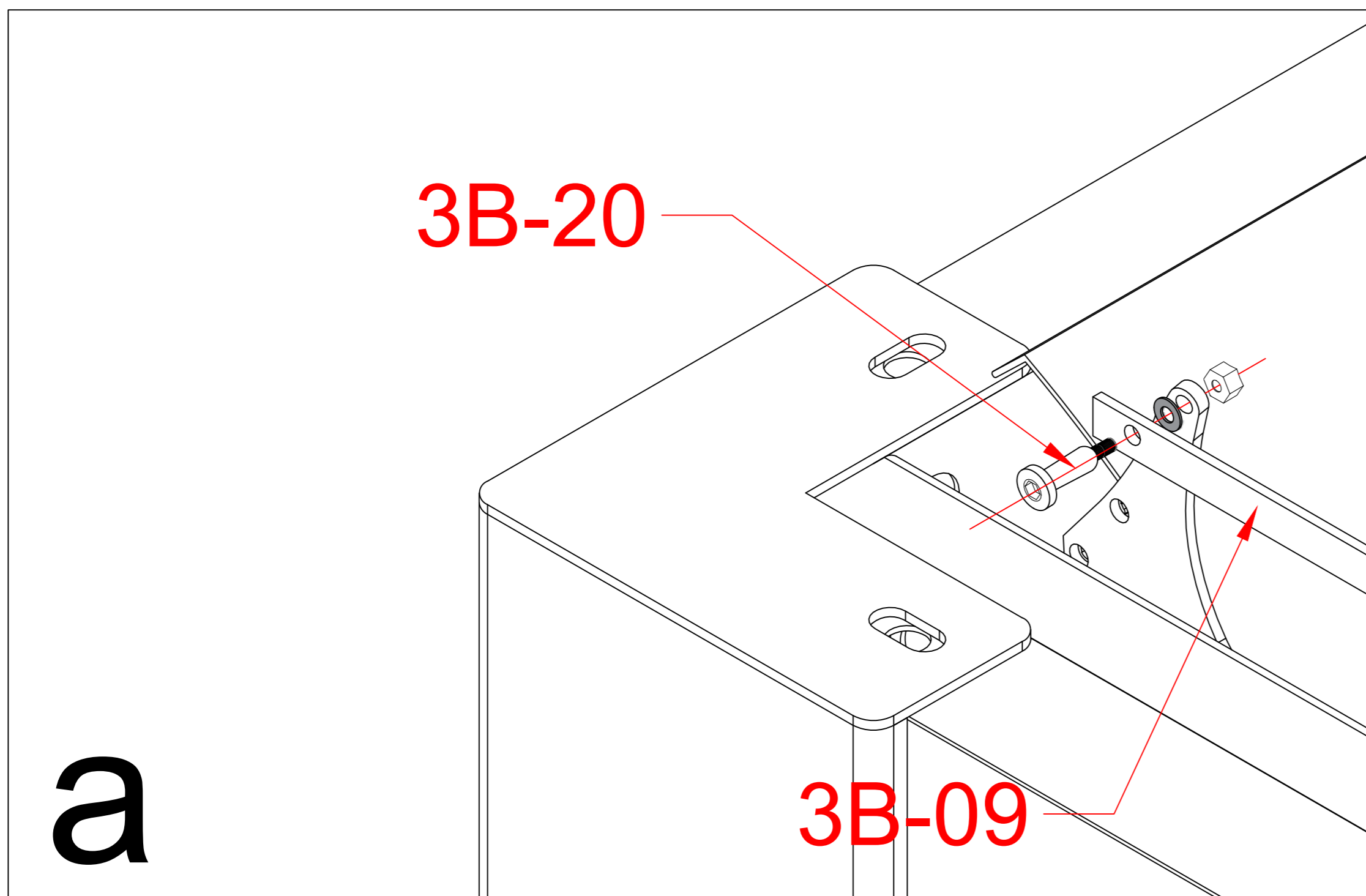
3B-23		20
3B-08A		1
3B-08B		1
3B-08C		1
3B-08D		1



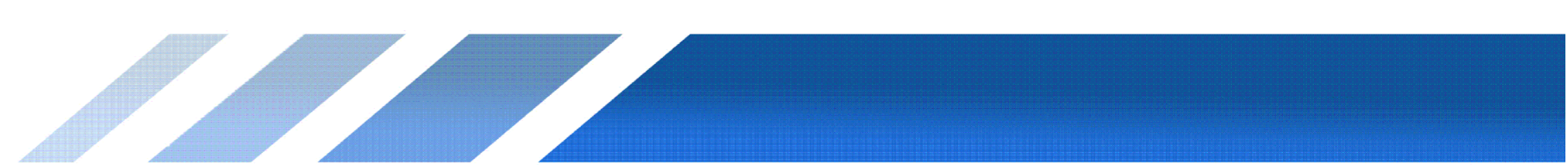


3B-14		2
3B-59		2



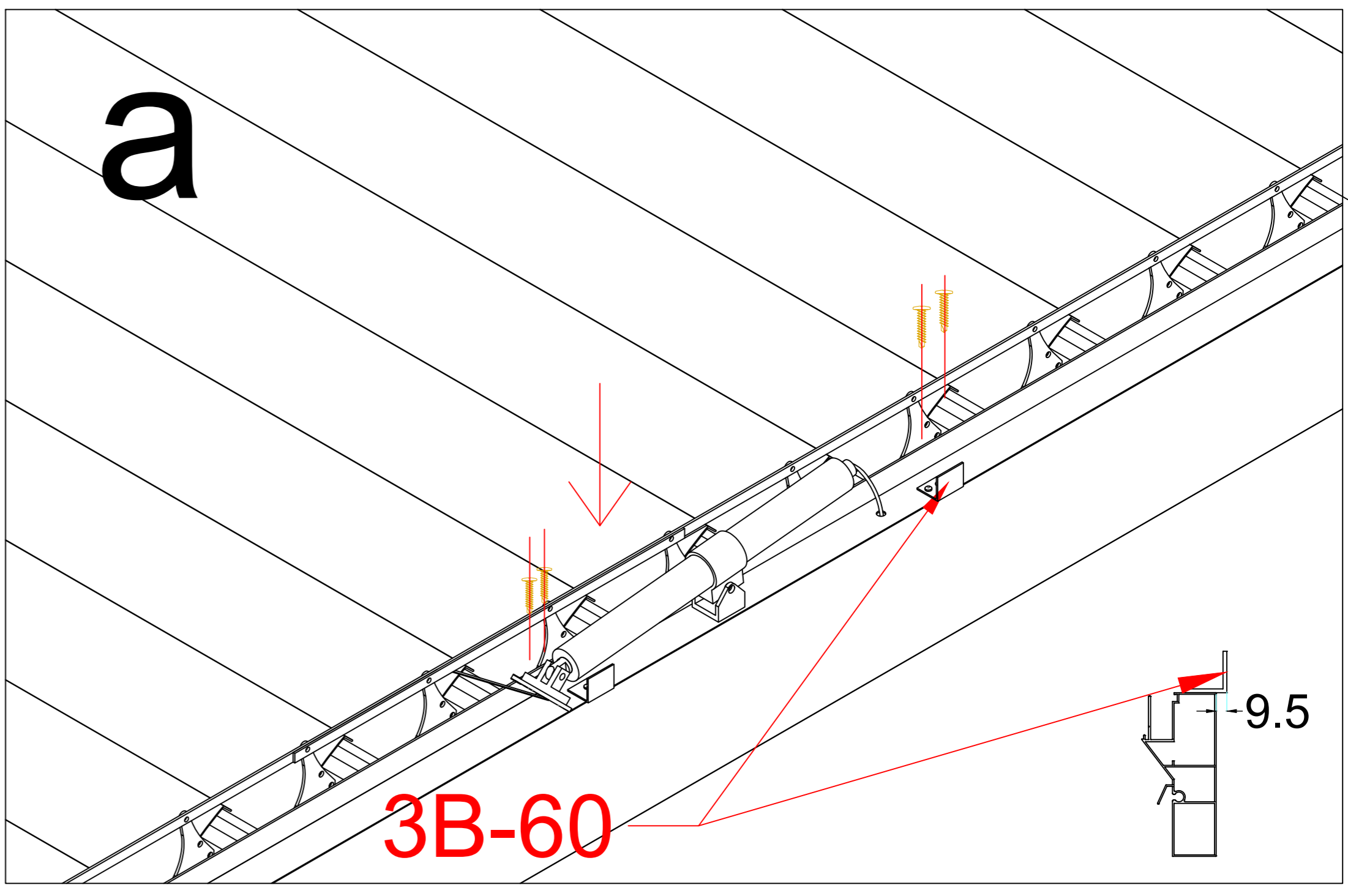


3B-09		4
3B-20	 5-12-M4	x
3B-20B	 5-16-M4	4





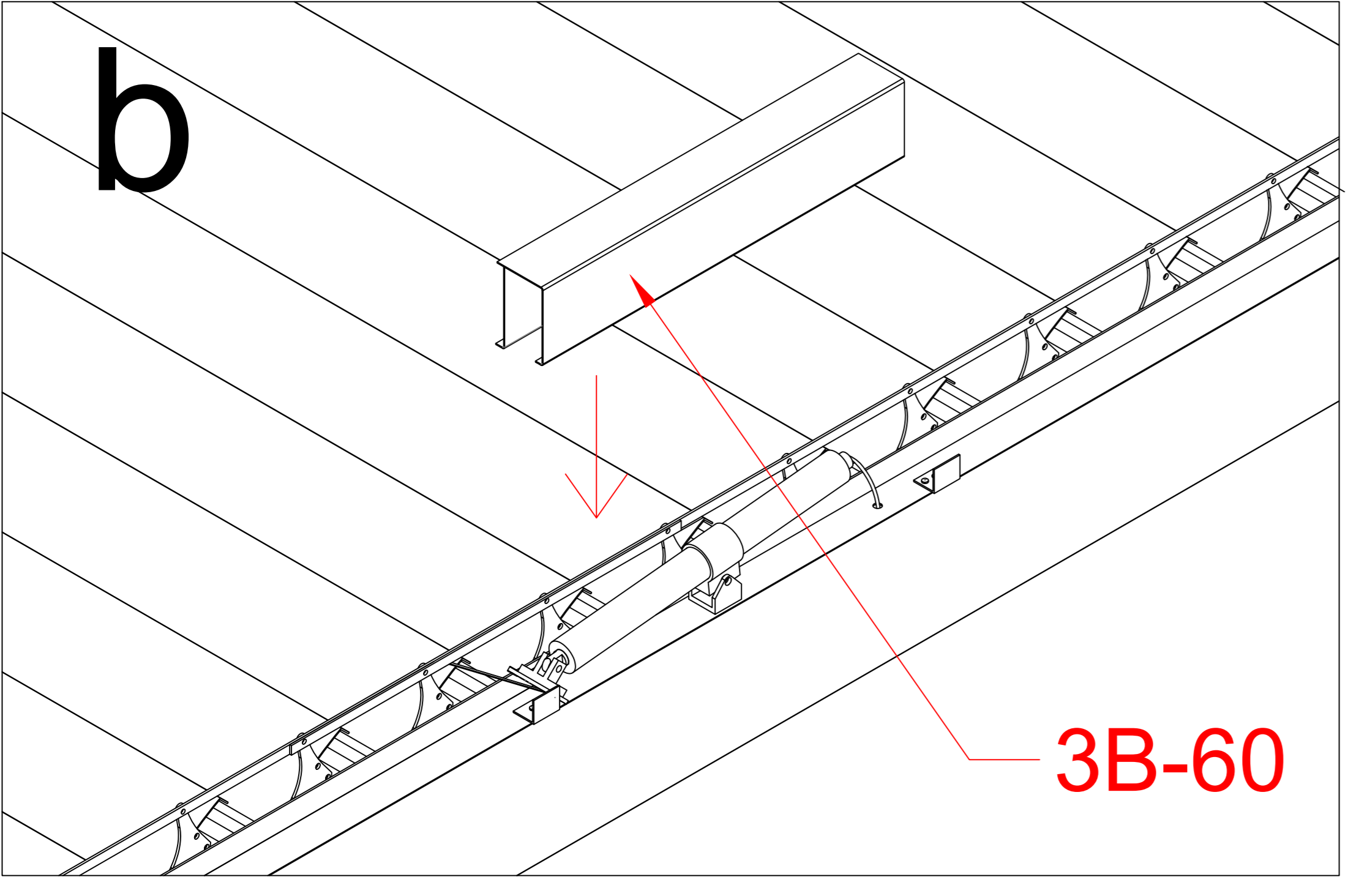
a



3B-60

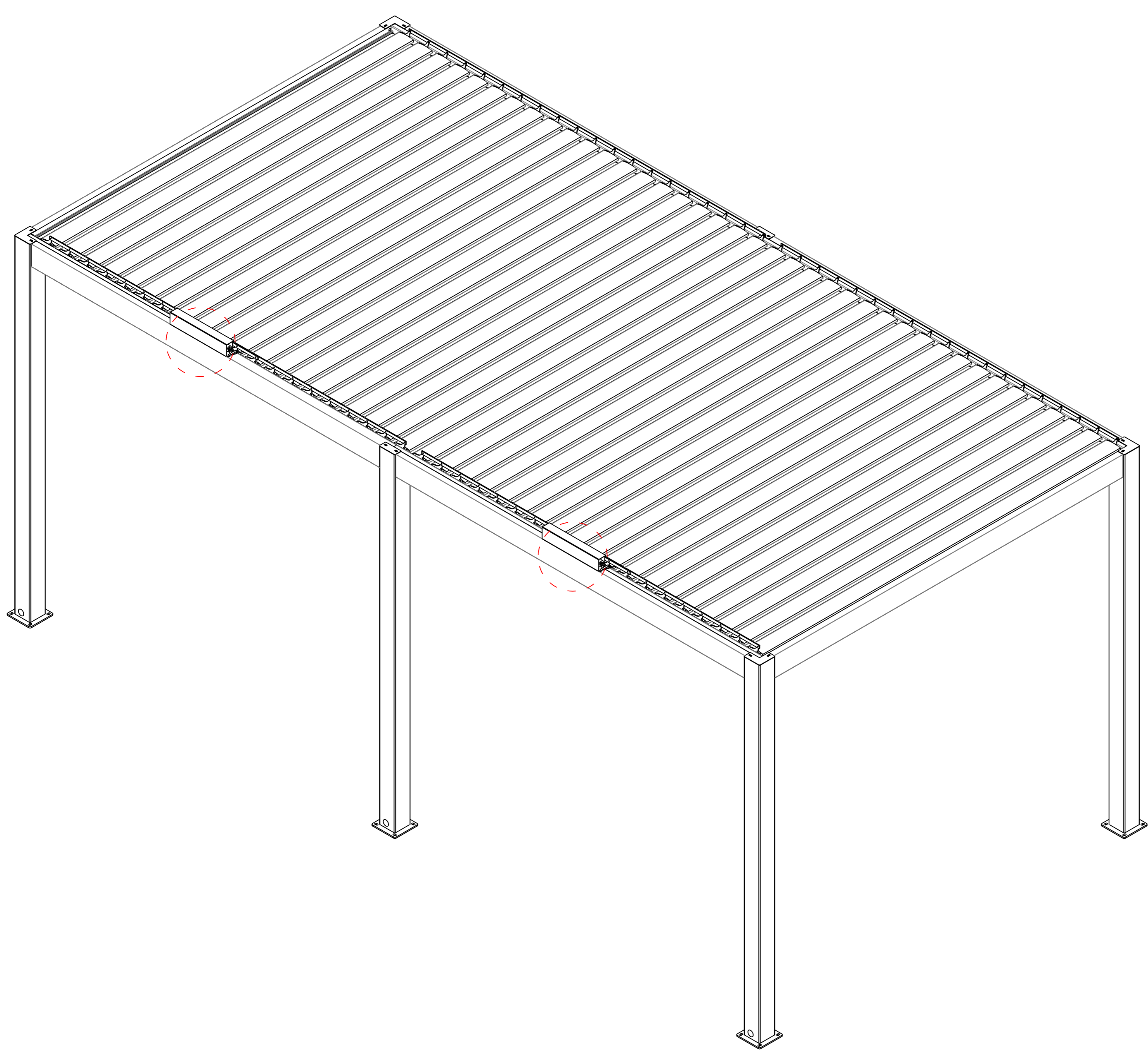
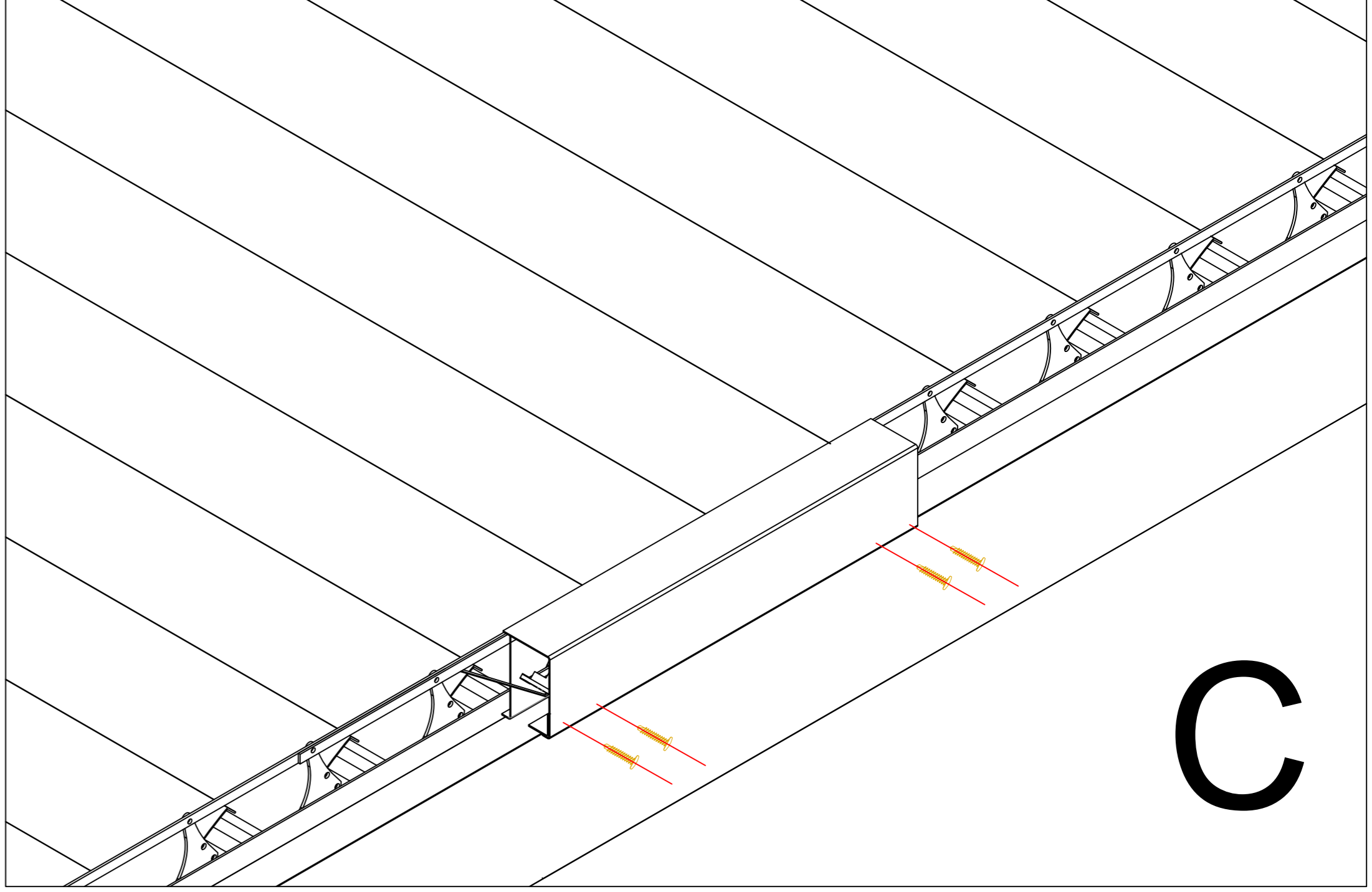
9.5


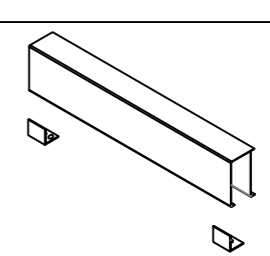
b

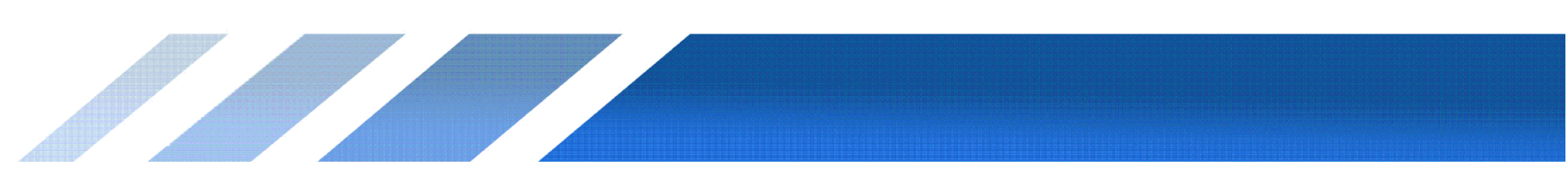


3B-60

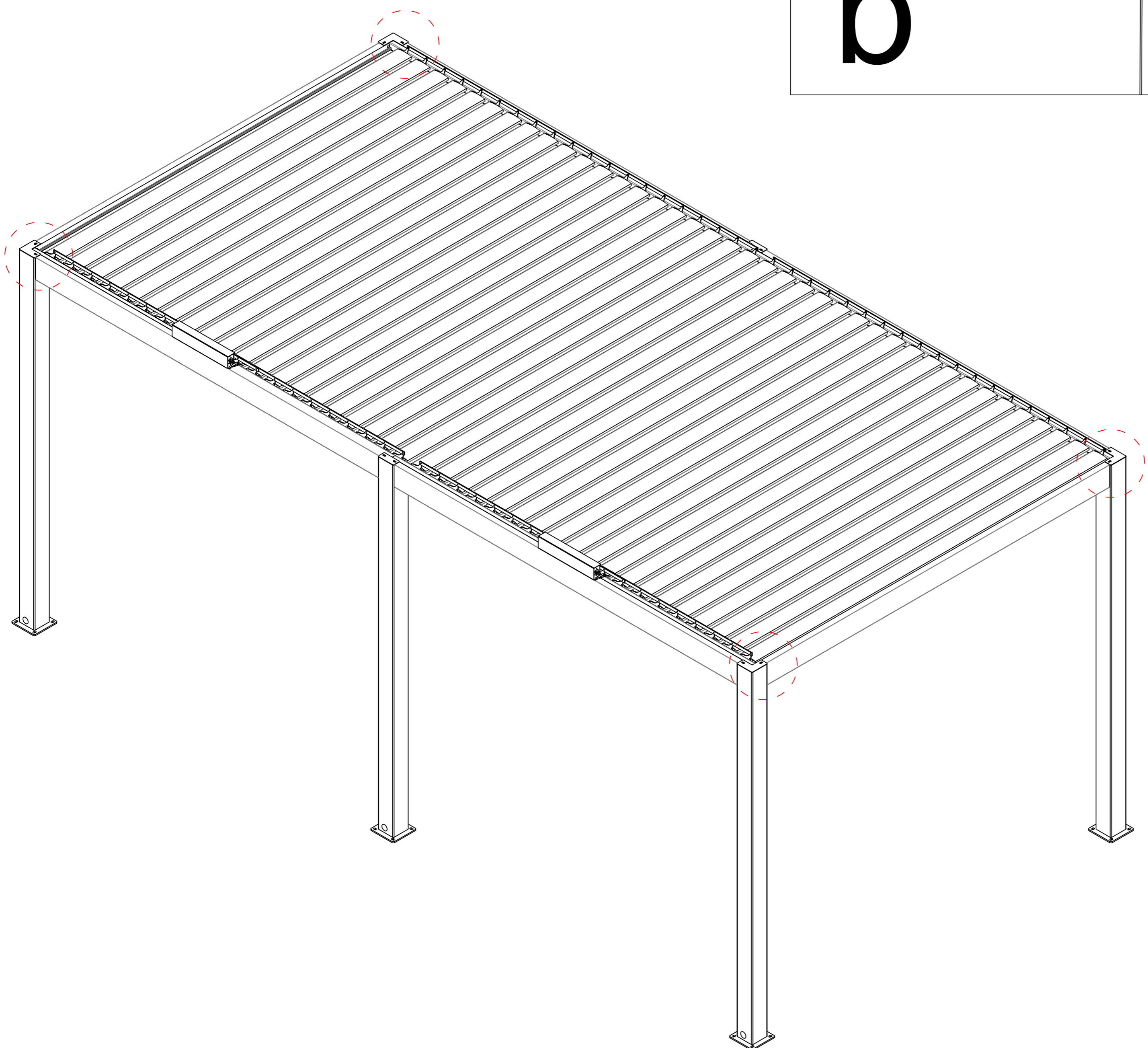
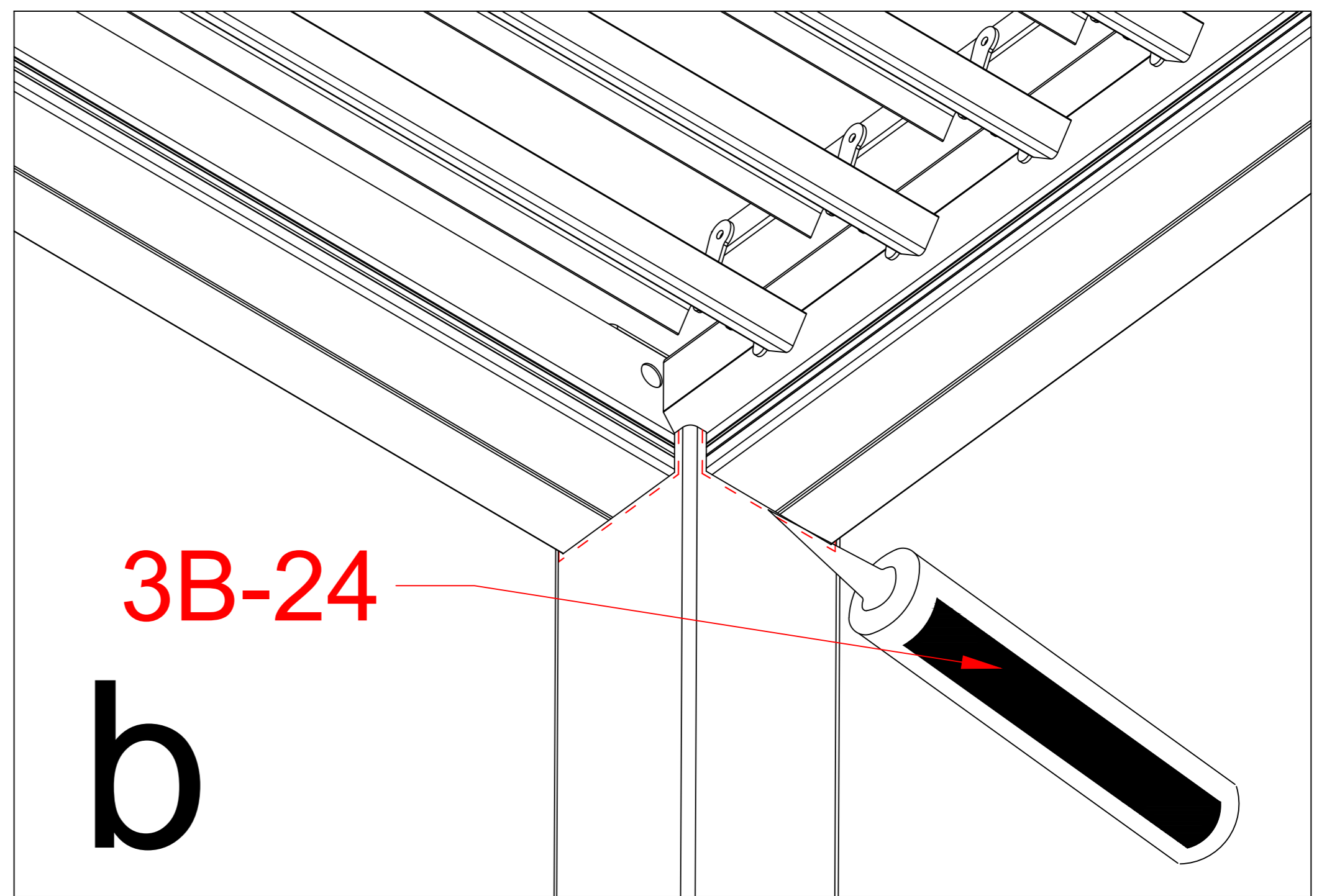
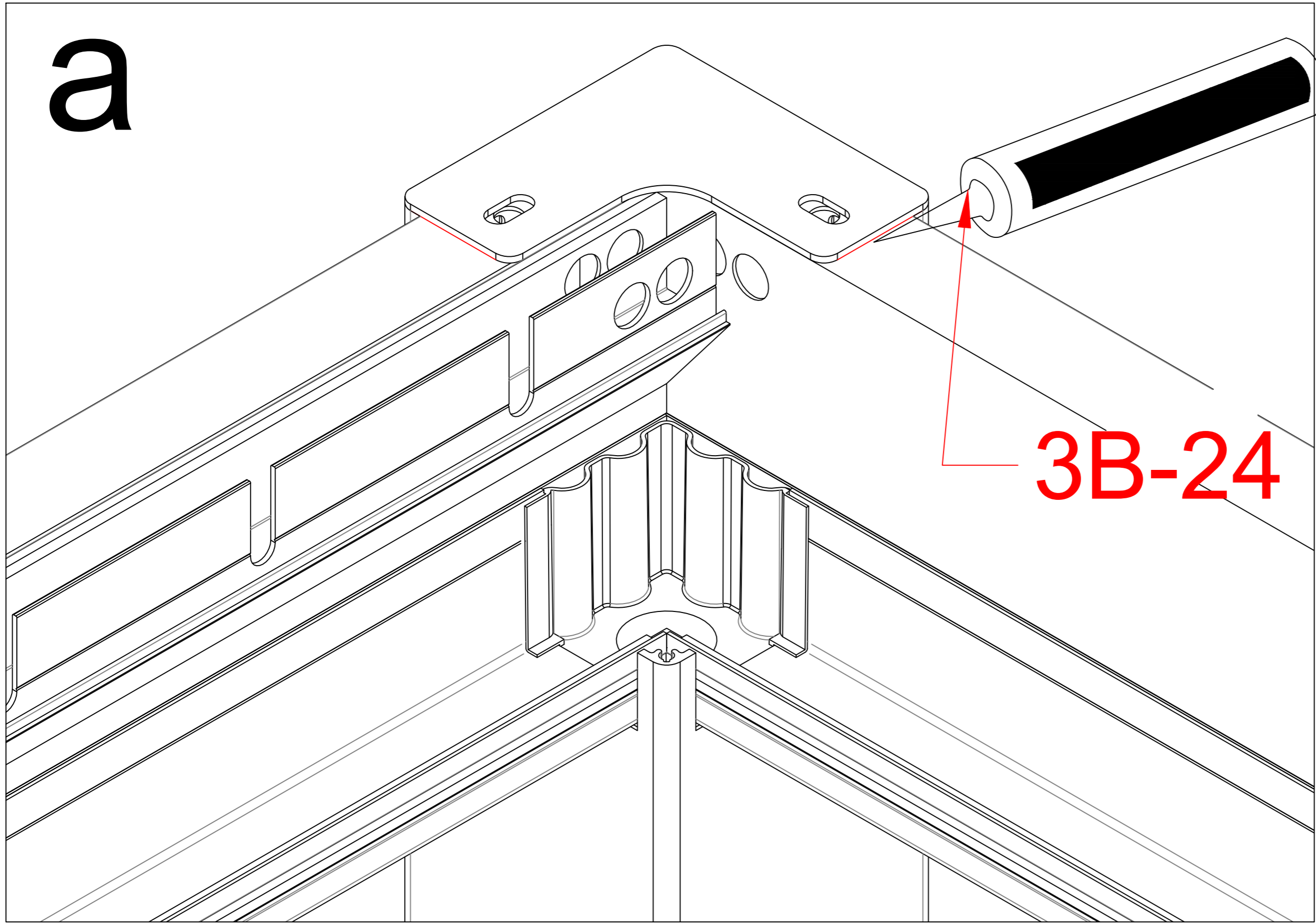
c

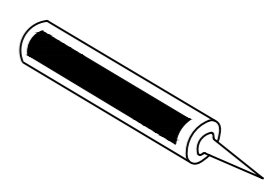


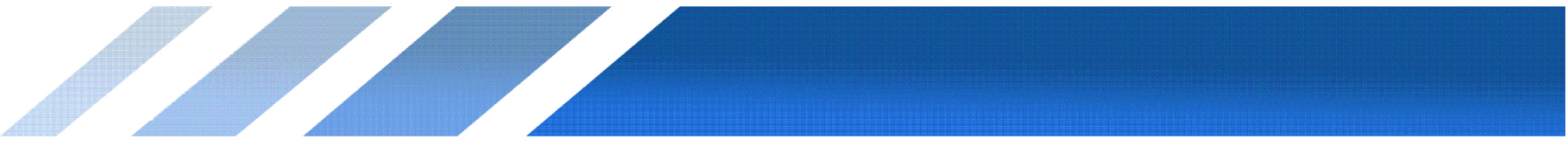
3B-60	 M4.2*19/8pcs	
		2

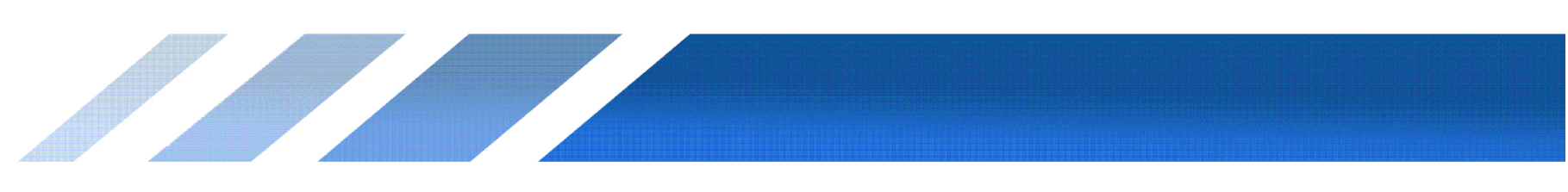
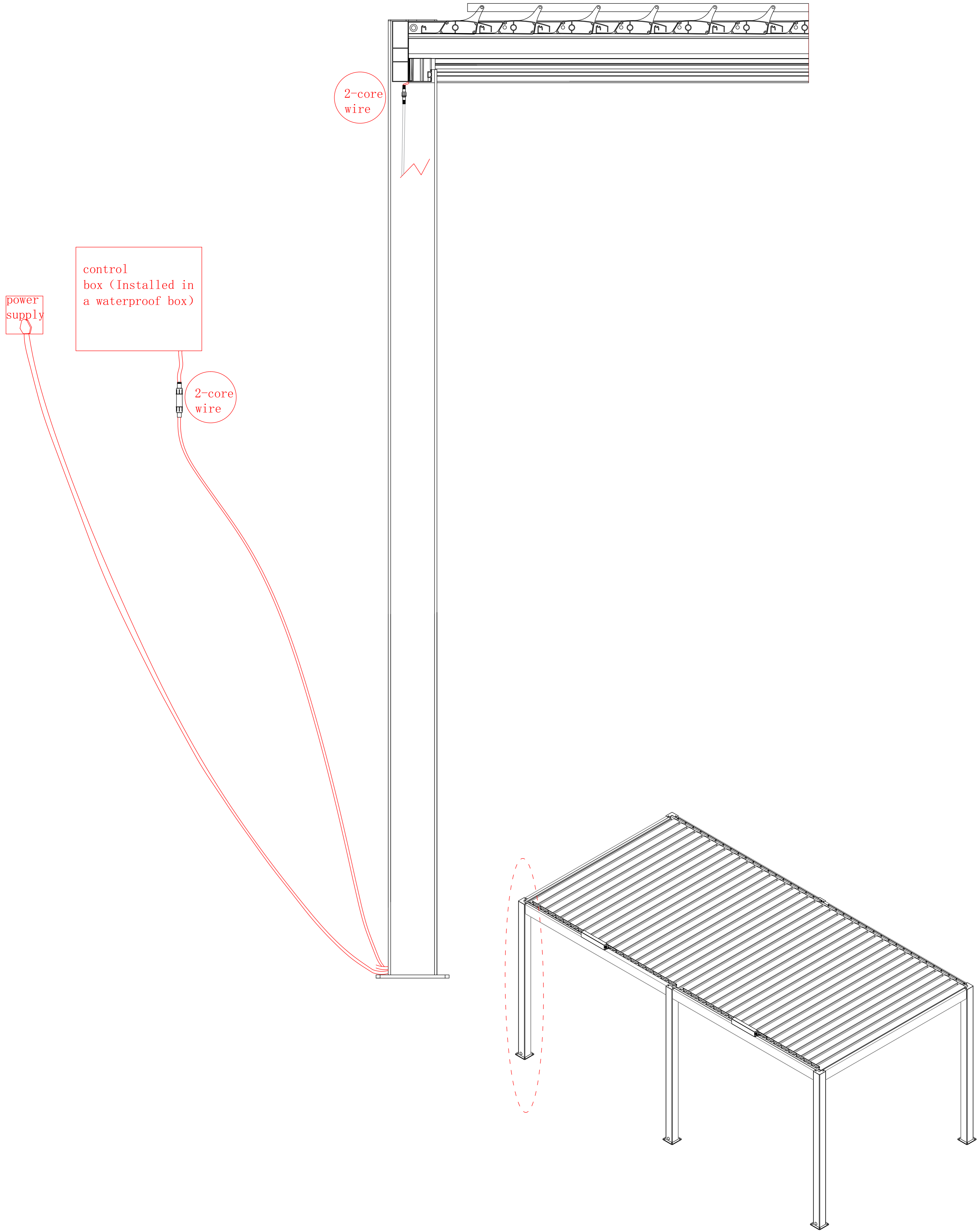


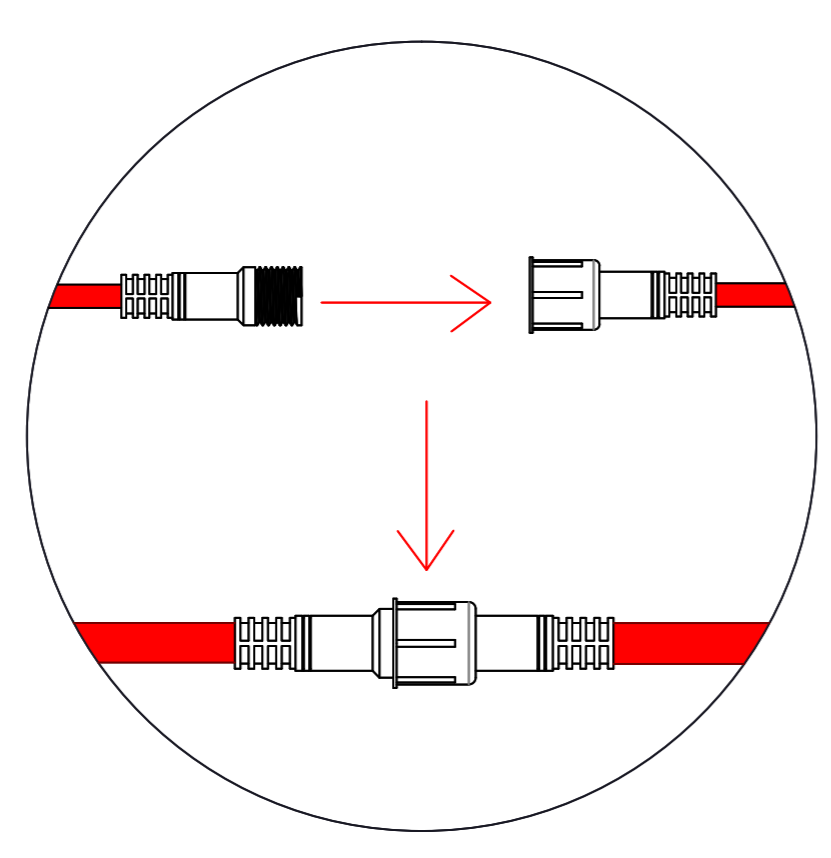
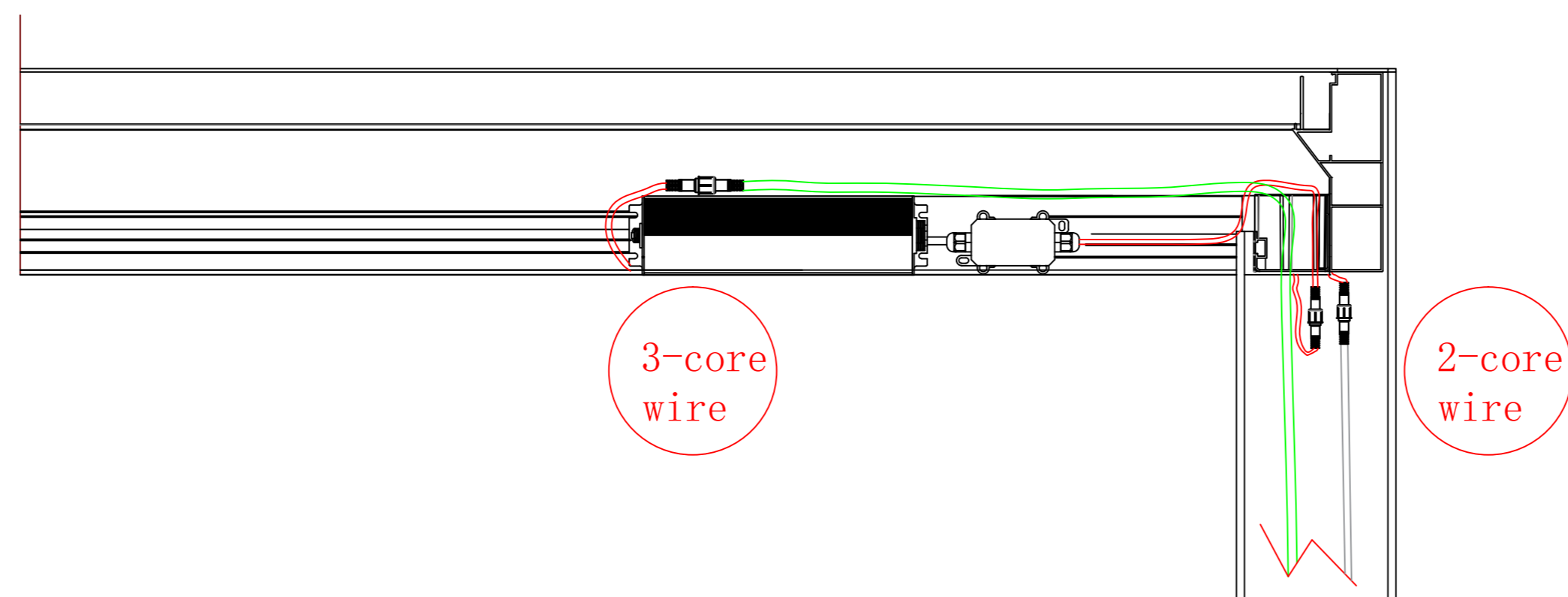




3B-24		1
-------	---	---







# Wires Diagram

Power in: 220V  
Power Out To  
Motor: DC24V

