

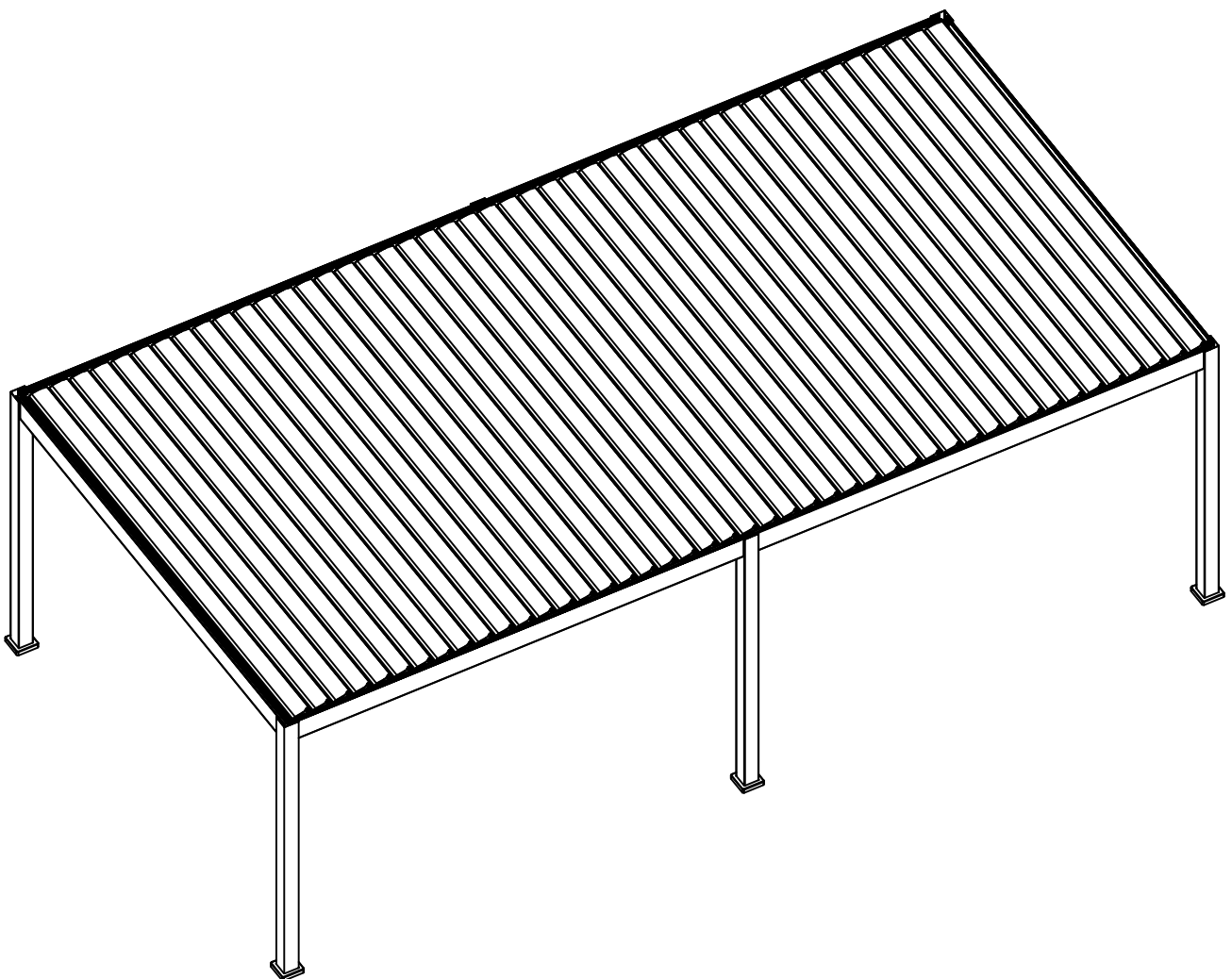


LIVING CULTURE

Matiatia Motorised Wall Mounted Louvre Roof Aluminium Pergola

SIZE: 5X4 6X4 7X4 8X3.6

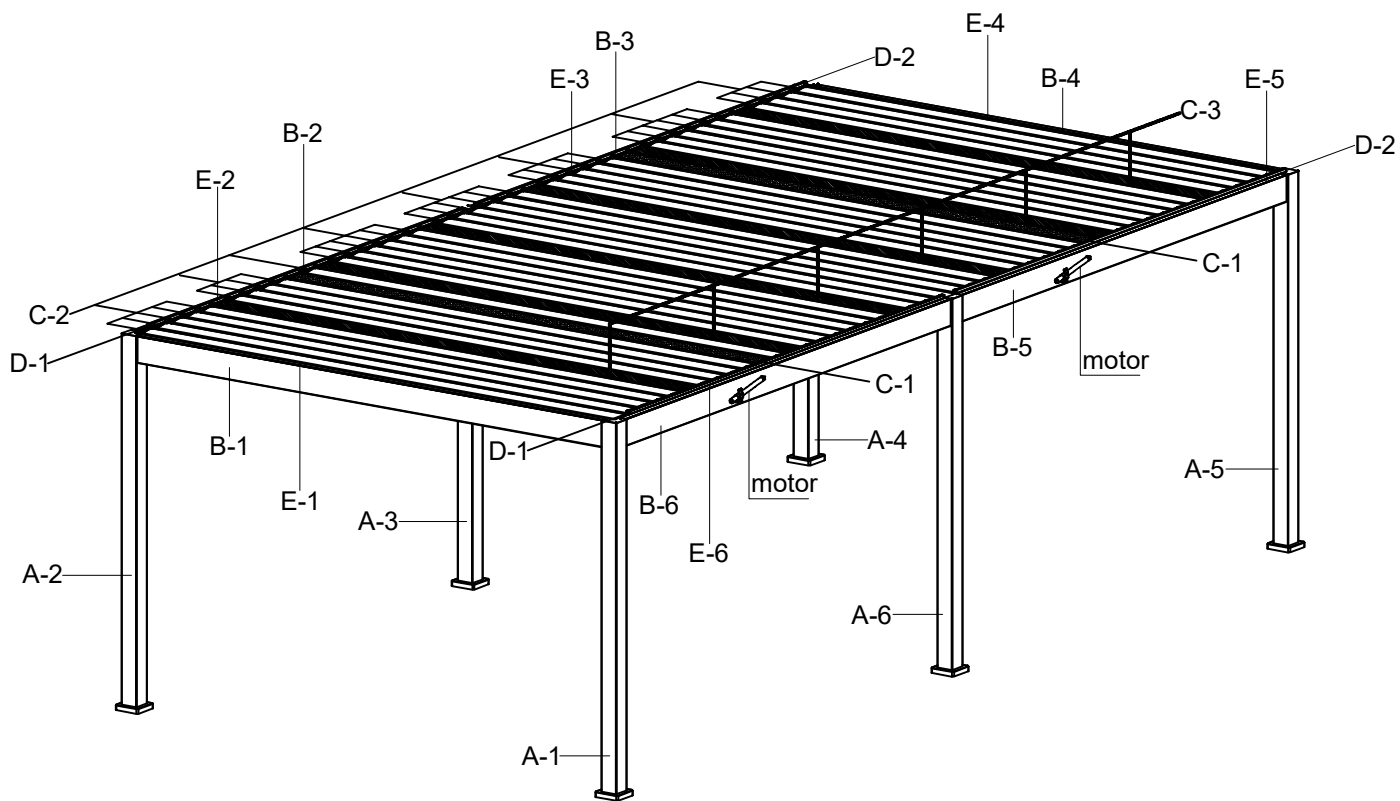
MANUAL



INSTALLATION NOTES

Before you start to install products ,please read below notes:

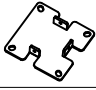


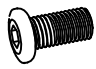


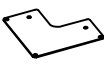
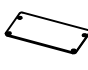




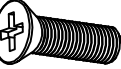



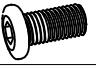

- 1.This is a general versioan manual .make sure tht you review the design when placing an order and read this manual several times before you start to assemble pergola ,this installation steps can be referred to in this manual ,However ,other specific details such as motor position ,drainage direction ect. should be accord to the drawing of the order placed
- 2.Check the package list and confirm all items on the list ! Do not throw away any package until the pergola is installed successfully
- 3.Minimum 3 people are required during the installation
- 4.It needs 2 people to lift the product parts from the package ,please put the products very gentle , it is better to cover a carpet or hard paper box on the flooring to protect it from scratching
- 5.You should better to screw the pergola on a flat concrete floor or do pre-embedded into the floor when its height up to 2800mm.
- 6.You should remove the film coated on the products entirely during the installation ,because it is difficult to remove them after explosion under hot temperature
- 7.Please do not DIY our product and take use of the other alternative accessories when you change the original design ,which will void your warranty
- 8.We hold no responsibility for any damage caused due to human factor , especially incorrect assembly
- 9.During the installation process, if you encounter any uncertainties, please refer to the installation instructions on the product page of the website.

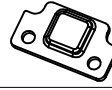



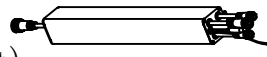

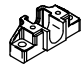



code	name	section	photo
A-1	post		
A-2	post		
A-3	post		
A-4	post		
A-5	post		
A-6	post		
B-1	gutter		
B-2	gutter		
B-3	gutter		
B-4	gutter		
B-5	gutter		
B-6	gutter		

code	name	section	photo
C-1	driven blade		
C-2	blade		
C-3	led light blade		
D-1	driven rod		
D-2	driven rod		
E-1	gutter cover		
E-2	gutter cover		
E-3	gutter cover		
E-4	gutter cover		
E-5	gutter cover		
E-6	gutter cover		

HARDWARE

code	name	photo
①	base plate	
②	decoration cover	
③	Al post decoration cover	
④	SUS hex screw (M8*12)	
⑤	M8 washer	
⑥	M8*80 SUS hex expansion bolt	
⑦	post end cover	
⑧	middle post end cover	
⑨	4.2*16 cross tapping screw	
⑩	4.2*19 cross drilling screw	
⑪	driven blade cover (R)	
⑫	cross tapping screw(4*20)	
⑬	M5*16 cross screw	
⑭	M5 hex blot nut	
⑮	corner connector	
⑯	2-bay stengthing accessory	
⑰	hex screw (M8*20)	
⑱	6*20 cross drilling screw	

code	name	photo
⑲	blade pivot cover	
⑳	4*14 cross drilling screw	
㉑	∅8*M6*5 shoulder screw	
㉒	allen wrench(5mm)	
㉓	control system (2motor and 2 led light)	
㉔	remote	
㉕	blade pivot holder	
㉖	cross tapping screw (5*20)	

Note:

The silicone sealant is not allowed to ship, we don't offer this item. please purchase it in local

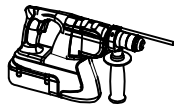
Tools



hand drill



cross bar



electrical drill



Ø14mm
drill bar



hammer



rubber hammer



marker



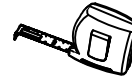
16mm wrench



ladderX3



security hat



tape

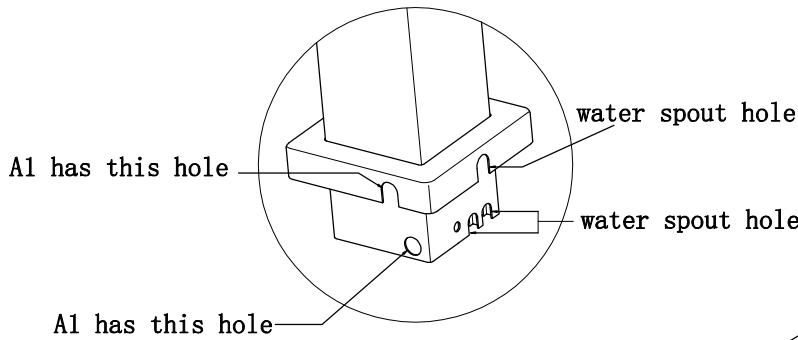


electric spirit
level

INSTALLATION

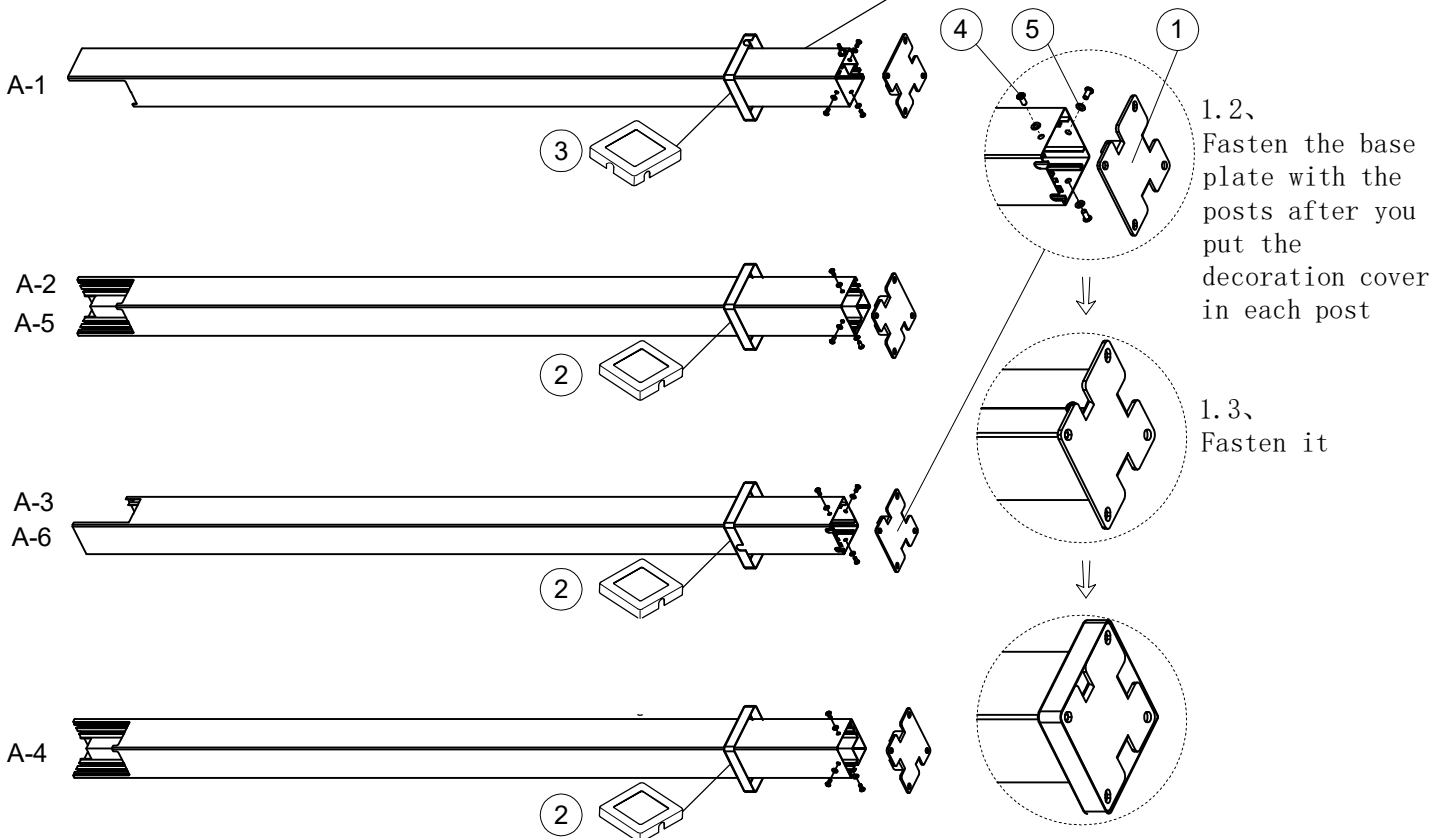
STEP 1: Assemble the post with base plate

- 1.1 put the base plate decorative cover into the post before you screw them.
please note the decoration cover of wire post is different .



⚠ Tip:
The water spout holes should be overlap to ensure the water can spout out rapidly

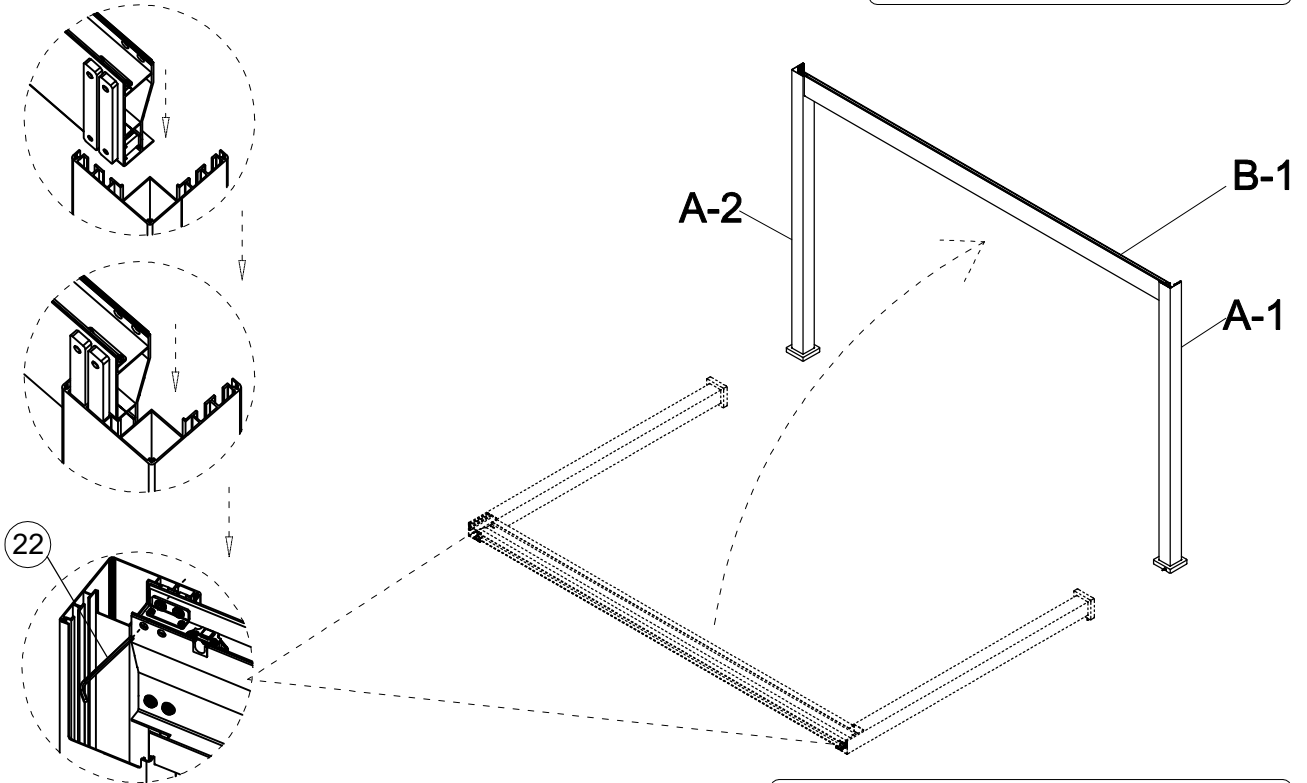
⚠ Tip:
Al is essential post , the cable go through inside and don't break the cable to cause power leakage



STEP 2: Assemble the pergola frame :do assemble roller gutter with posts first

2.1 Inset the gutter into the groove of post

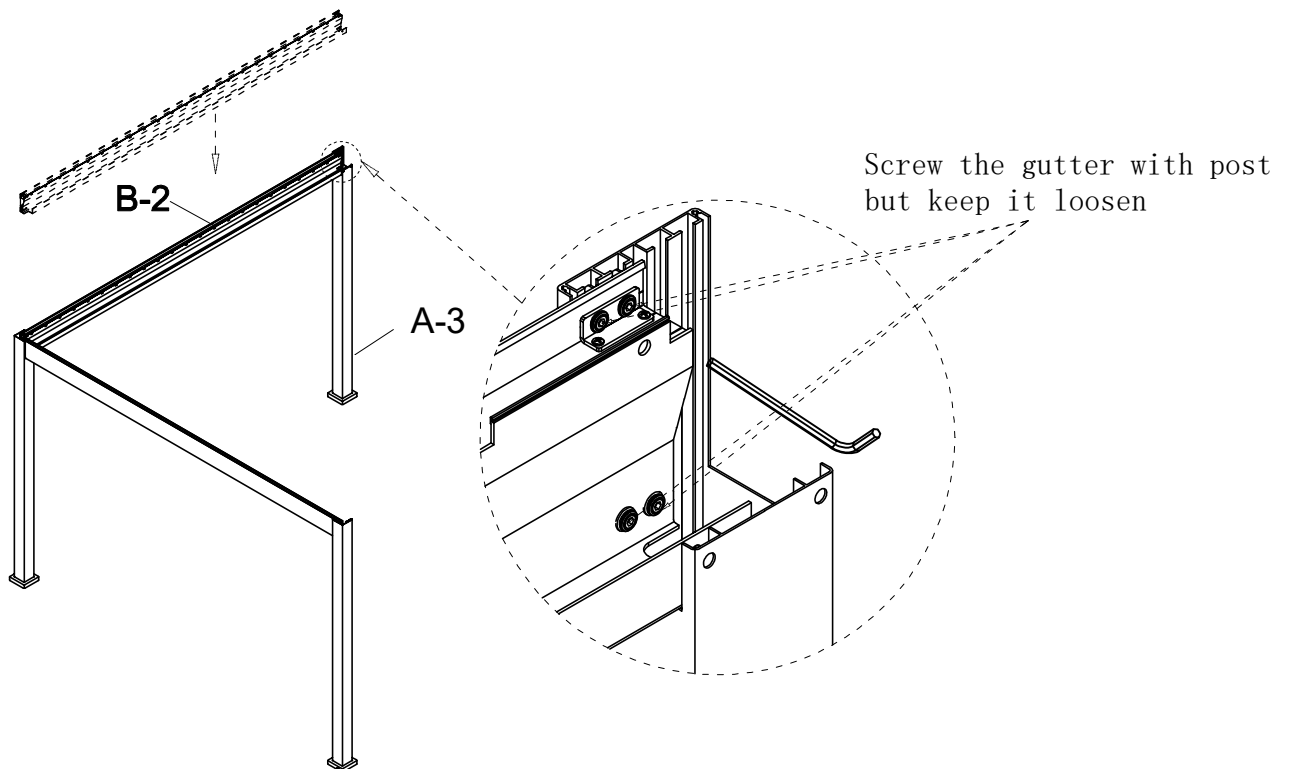
⚠ Tip:
Assemble the pergola frame on the floor and make it stand



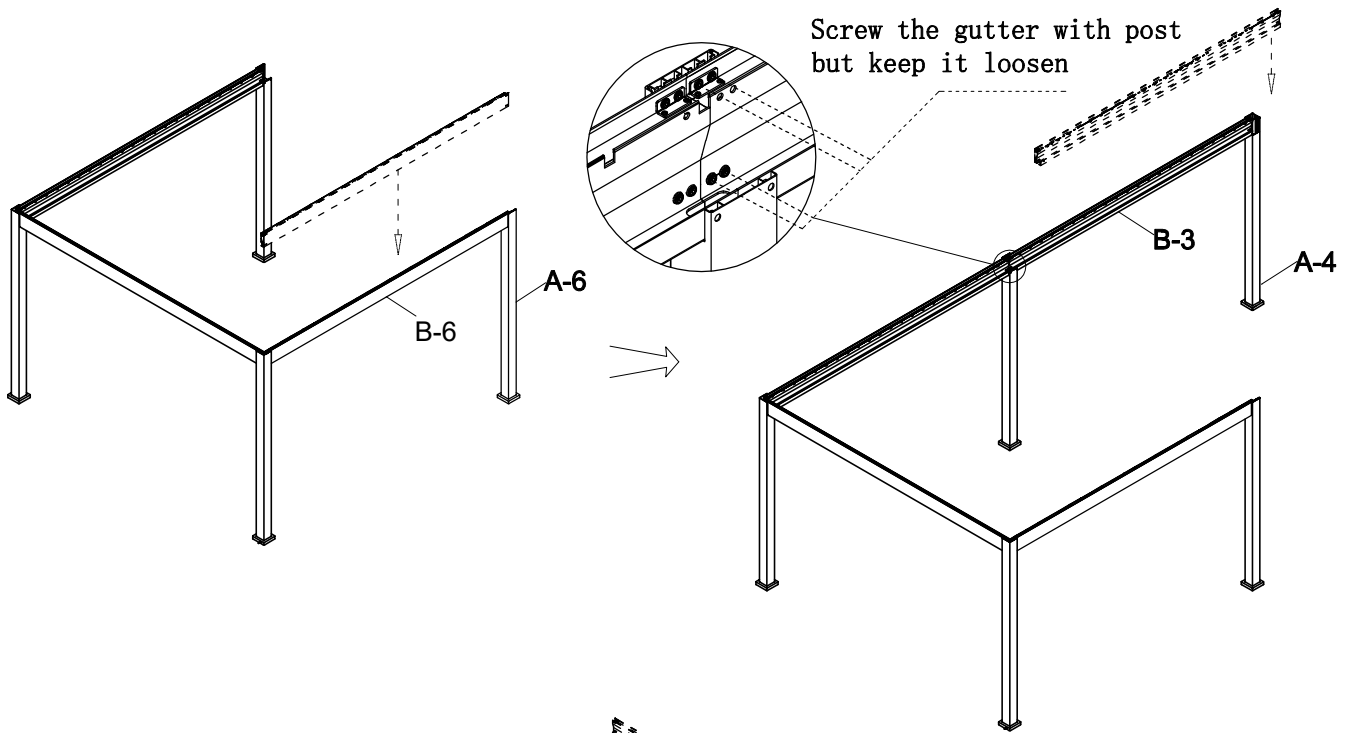
fasten it tight

⚠ Tips:
1. Please ensure the pergola frame is correct before you assemble
2. It needs at least 2 people to make the post stand

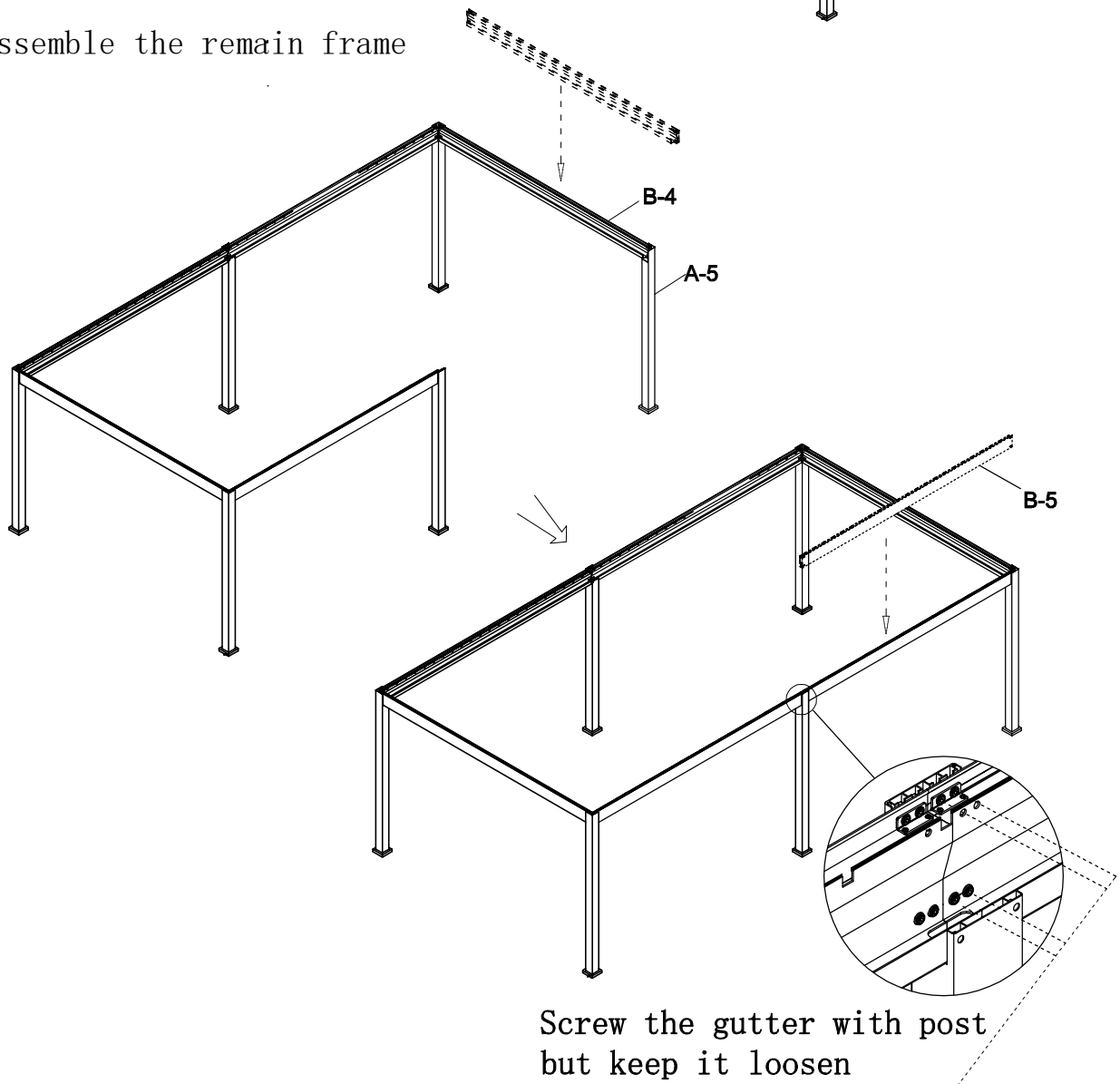
2.2 Stand the middle post and assemble one side frame



2.3 Assemble the remain pergola frame



2.4 Assemble the remain frame

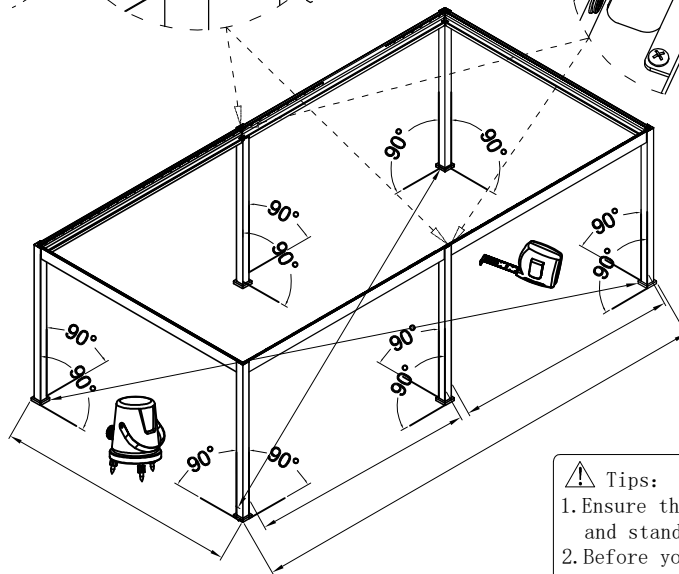
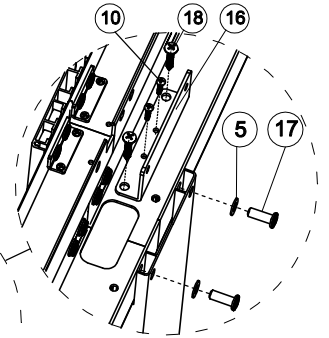
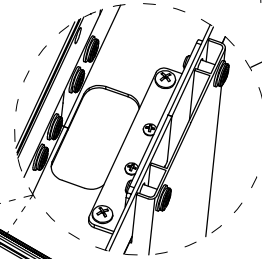
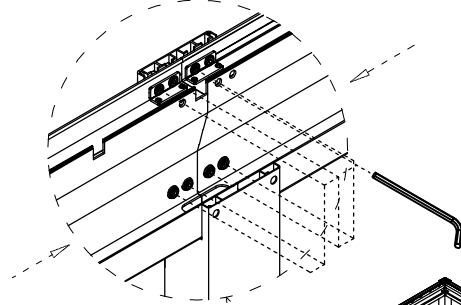
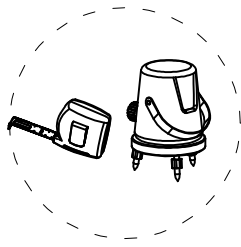


STEP 3: Adjust the pergola position and fix the posts on the floor

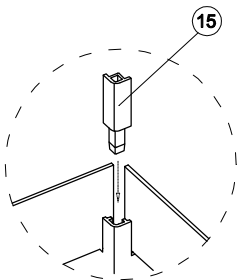
3.1 Adjust the position .measure the diagonal lines and ensure the diagonal are equal.

3.2 It needs two workers to install the middle gutter connect accessory . one man push gutters to ensure min gap the other man screw it .don't forget to do silicone sealant when installation finished

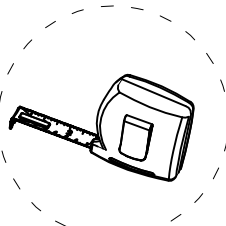
3.3 Install the L shape strengthening accessory



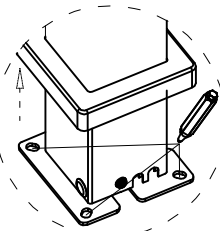
⚠ Tips:
1.Ensure the post in correct position , and stand 90 degree with floor.
2.Before you fasten the screws ,you should double check the pergola position .



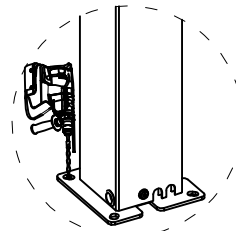
3.4 Put the connector at four corners of gutter



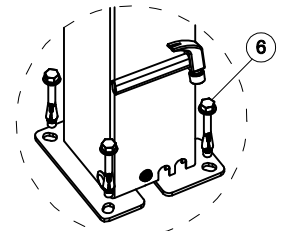
3.5 Adjust the position measure the diagonal lines and ensure the diagonal are equal.



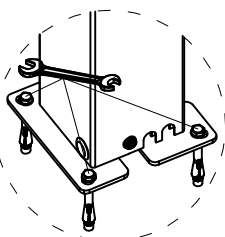
3.6 Mark the drill holes on the ground



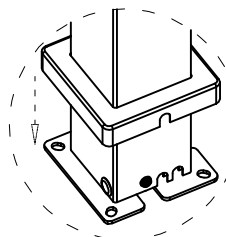
3.7 Drill holes



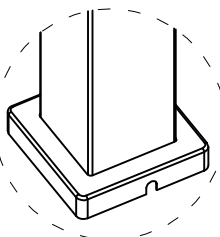
3.8 Stuff the expansion bolt into concrete



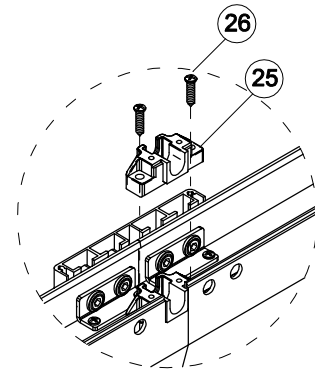
3.9 Fasten the base plate on the floor



3.10 Fasten the base plate on the floor



3.11 Finished

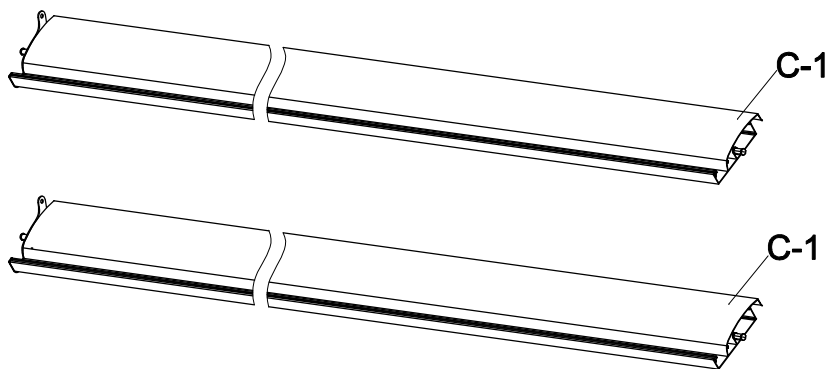


3.12 Fix the 2 bay gutter connection blade pivot holder

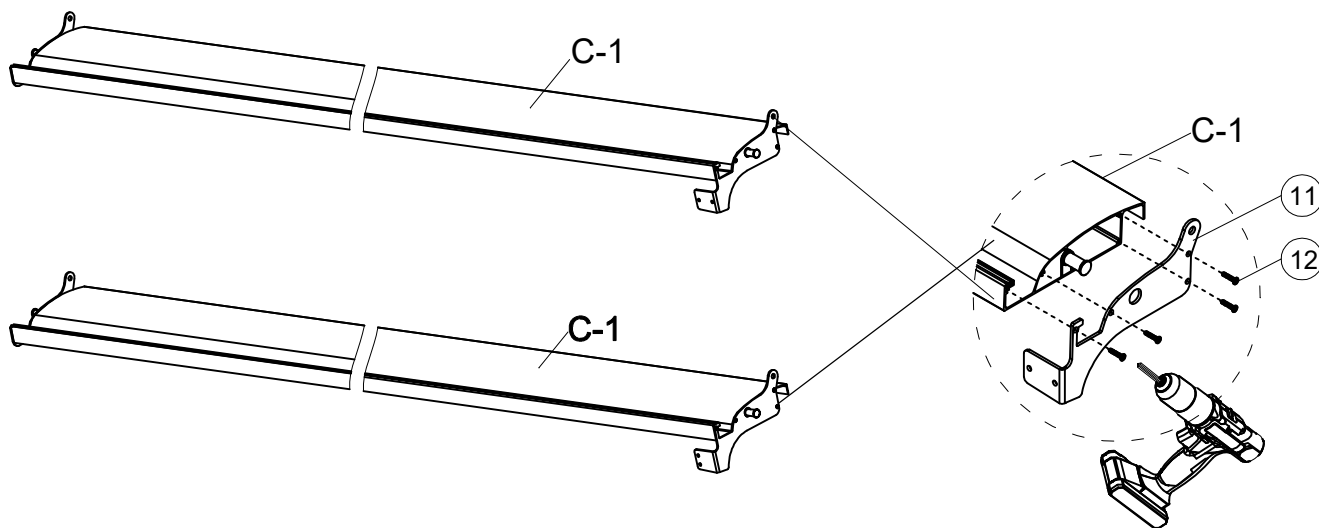
Note:
If you find the holder at connection was installed in advance ,then ignore this step .because sometime the roller has risk to broken .So we need to pack it separately .

STEP 4 :Settle the blades

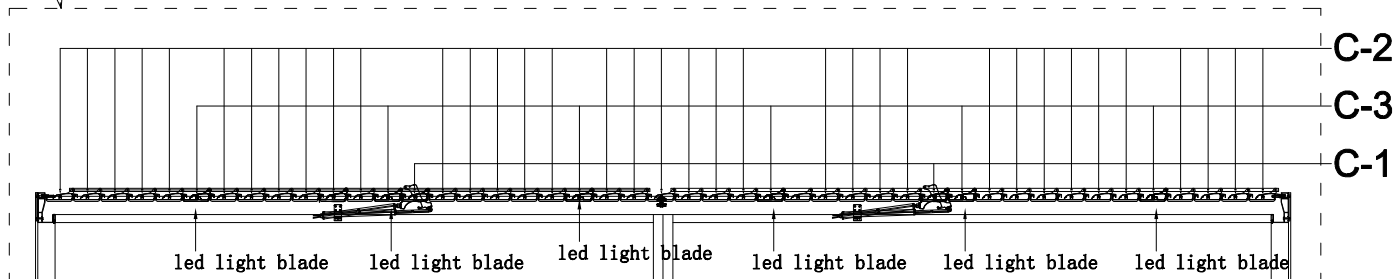
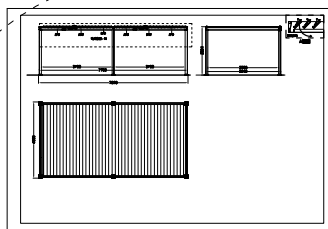
4.1 Take out the blade without driven cover from the package , there are 2 pieces



4.2 Screw the driven blade cover with driven blade

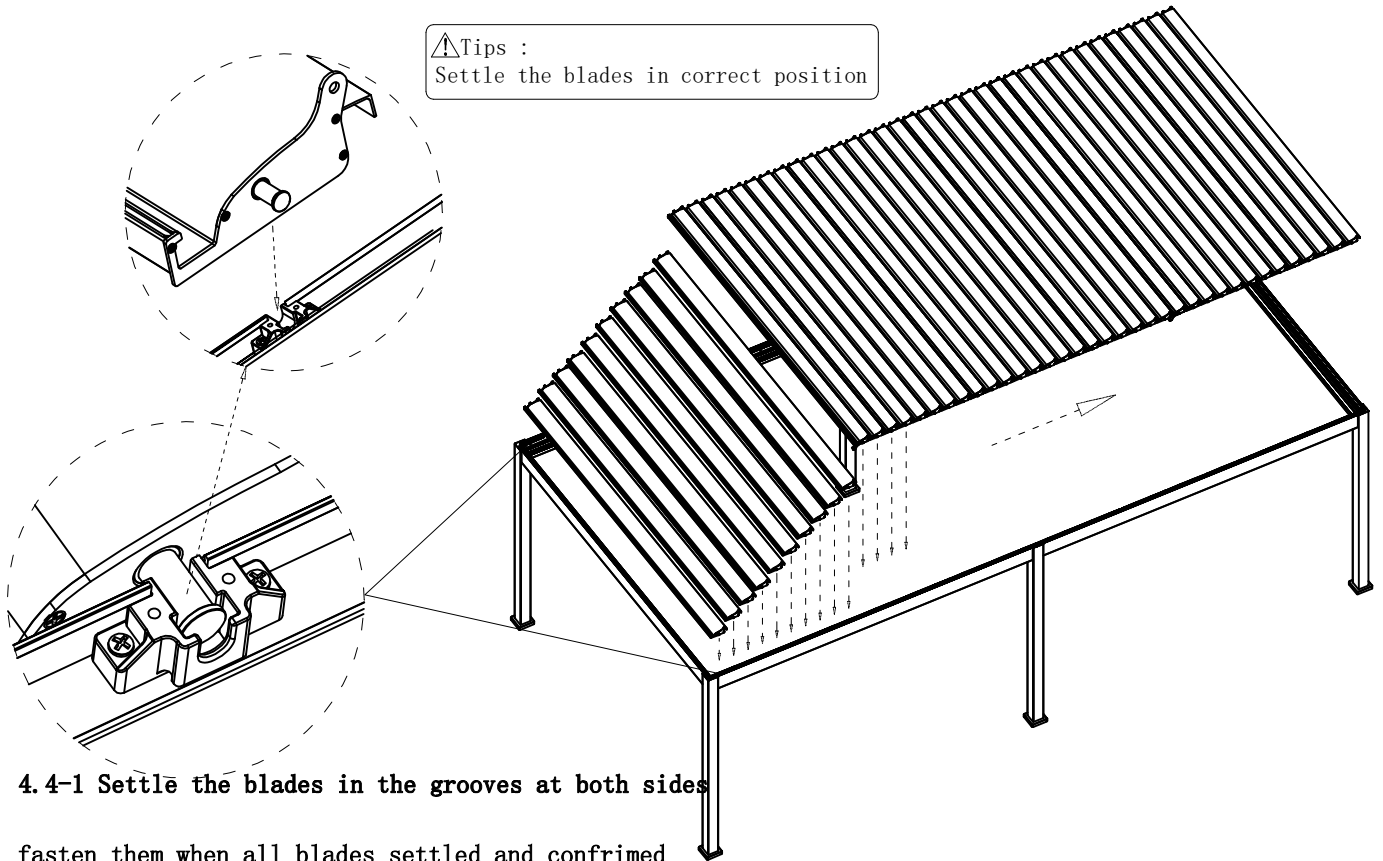


4.3 Check the drawing ,and mark the positions of led light blades and driven blade on the gutter



4.4 Ensure the blades direction and position ,start to settle blades on the roof

⚠ Tips :
Settle the blades in correct position



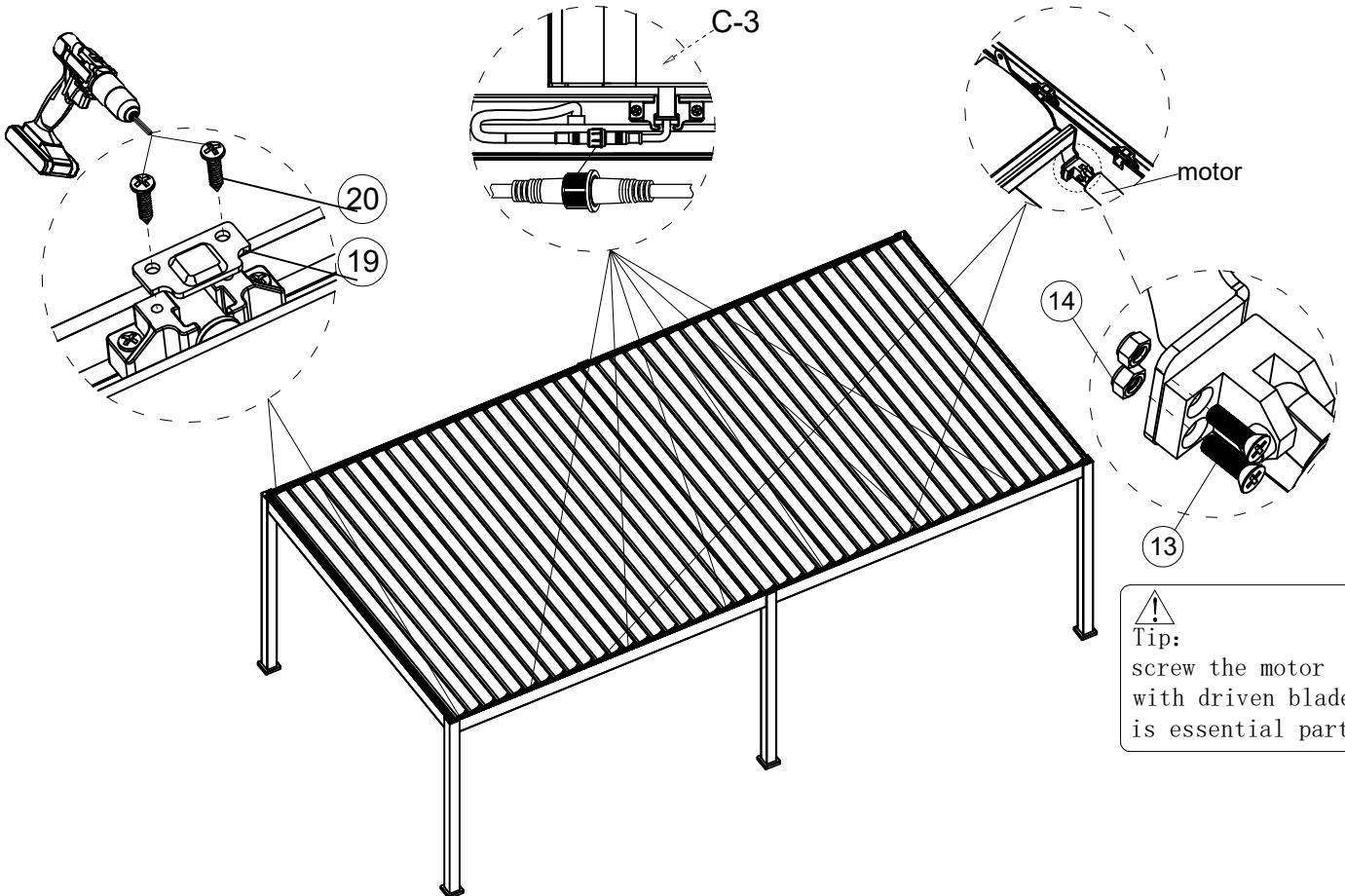
4.4-1 Settle the blades in the grooves at both sides

fasten them when all blades settled and confirmed there is no fault

4.4-2 When all blades settles ,then fasten the covers

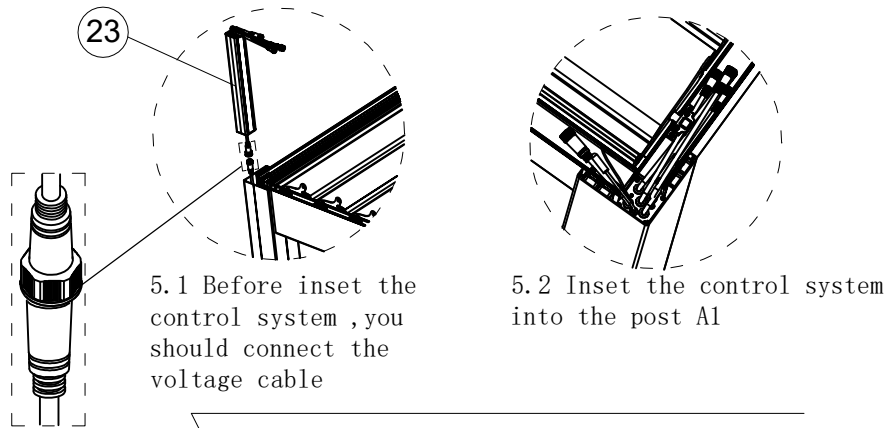
4.4-3 Connect the LED light blade cable with electric cable in gutter

4.4-4 Fasten the driven blade with motor



⚠ Tip:
screw the motor with driven blade is essential part

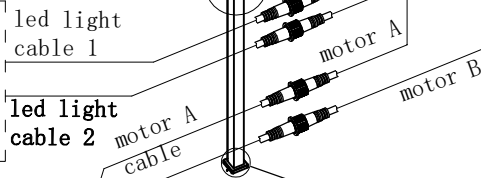
STEP 5: Connect to the power



tree plugs are LED light blade cable

note:
there are two cable for led light ,please link them base on labels .

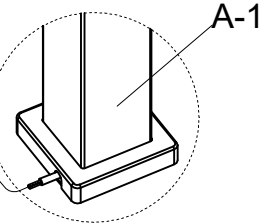
⚠Tips:
Seal the needless plug by electric worker .



two plug are motor cable

Note :
there are two motor cables please connect them accord to lables.

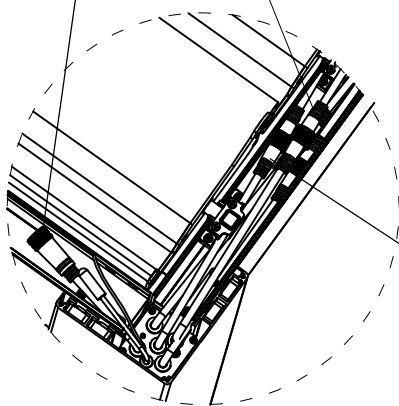
brown: live line (L)
blue: neatural line (N)
yellow: earth line (E)



5.4、
Connect the cable with domestic voltage cable , you should prepare a local standard plug

⚠Tips:
1、 connect the cable as design
2、 earth line is essential
3、 RCCB is essential when you install this product

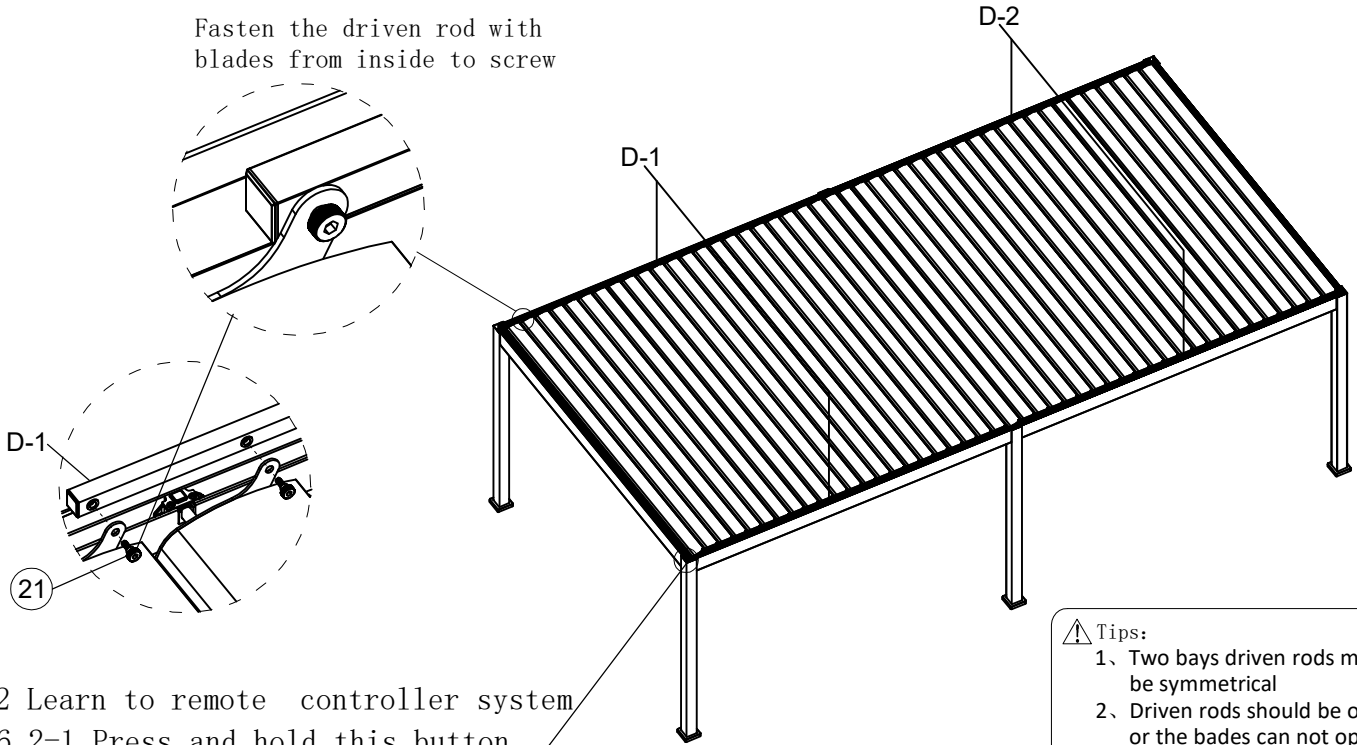
5.3、 Connect the cables



STEP 6: Install the driven rod and check the electric cables

6.1 Install the driven rod

Fasten the driven rod with blades from inside to screw



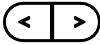
- ⚠ Tips:
- 1、 Two bays driven rods must be symmetrical
 - 2、 Driven rods should be outside , or the bades can not open

6.2 Learn to remote controller system

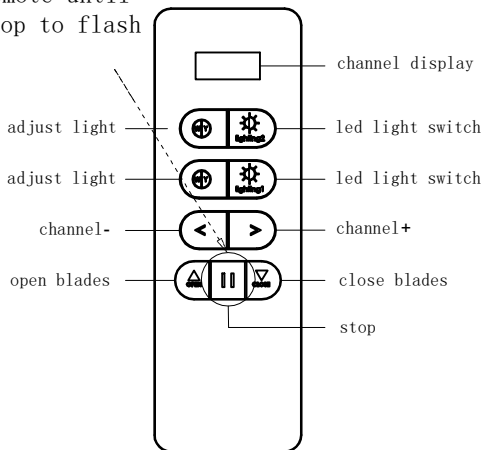
6.2-1 Press and hold this button until the light next to it starts to flash



6.2-3 Check the remote function

There are two types of remote , one is simple type without any zip screen ,the other is type 2 , you can remote the pergola and zip screen at one remote .The remote was pre-seted type 1 .and press channel  to exchange to type 2 by yourself

6.2-2 Press and hold the stop button on remote until led light stop to flash



Type 1

- Channel 01: motor 1
- Channel 02: motor 2

Type 2

- channel 01: motor 1
- channel 02: motor 2
- channel 03:zip screen 1
- channel 04:zip screen 2
- channel 05:zip screen 3
- channel 06:zip screen 4
- channel 07:zip screen 5
- channel 08:zip screen 6

- channel C1: control all motors
- channel C2: controll all zip screens
- channel C3: control all devices

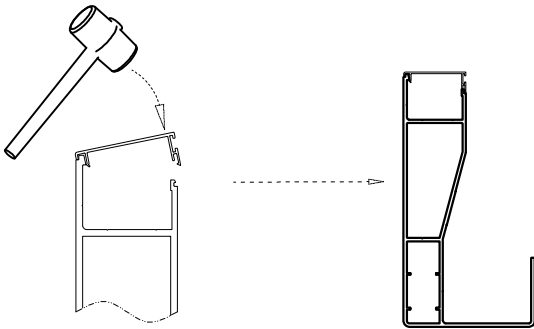
6.2-4 Remote system logics

channel 01: (motor A)
 press open button, motor A open
 press stop button, motor A stop
 press close button , motor B close
 two seconds fastthan motor A
 press stop button, motor A stopped
 Tip: motor A can oepn indepently, but when it close ,the motor B should close first

channel 02: (motor B)
 press open button , motor A open one second fast then motor B
 press the stop button ,both motors are stopped
 press close button, motor B can close indepently
 Tip: the motor B open after motor A but you can close motor B indepently

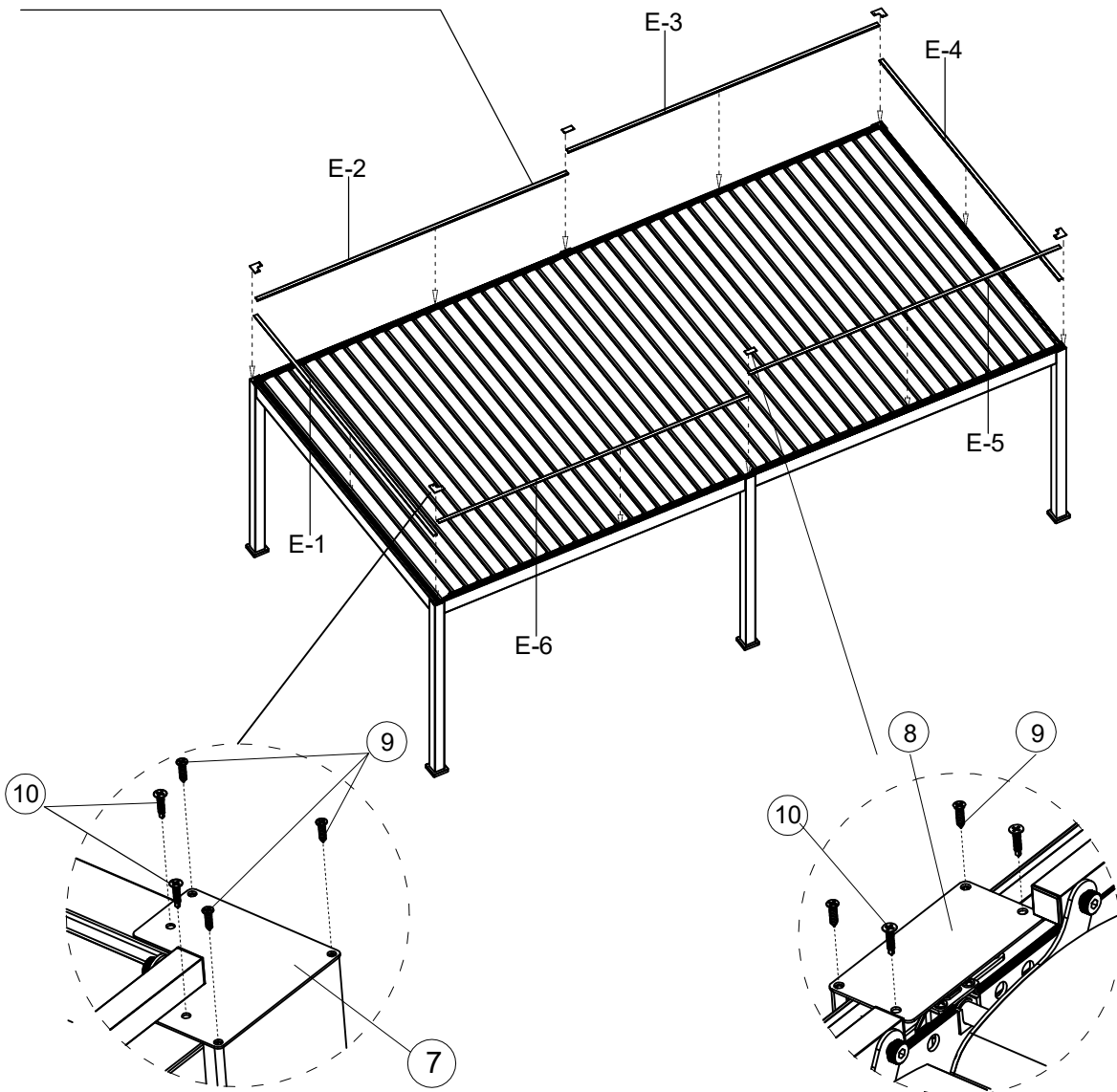
STEP 7: If there is zip screen device on the pergola, please install zip screen before STEP 8

STEP 8: Install the gutter cover and post end cover



⚠ Tips:
1. Ensure the pergola function is well before you install the cover
2. Settle all cable in the gutter groove and knock the cover gently or broken the cables to cause electric leakage

8.1 Use rubber hammer to knock the gutter cover into groove, note width edge is inner side



8.2 Install the L shape post covers

8.3 Install the middle post post covers

COMPLETE

STEP 9 : Check the pergola function

9.1、 the PCCB is essential during installation

9.2、 check the motor function

9.3、 check the remote function

9.3、 check the louver movement and noise

9.4、 check the led light function

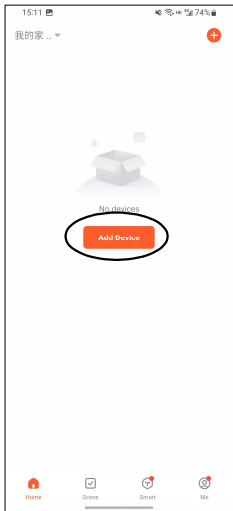
9.5、 check the other device function

HOW TO USE TUYA APP

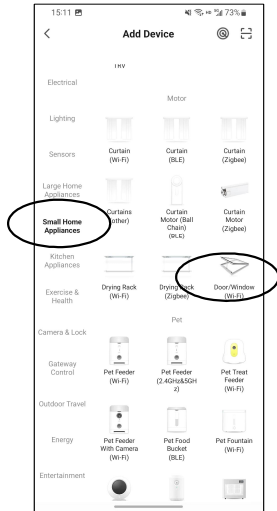
STEP1 :Open tuyu app

1. Prepare a public wifi for the pergola
2. Open the phone bluetooth and TUYA app

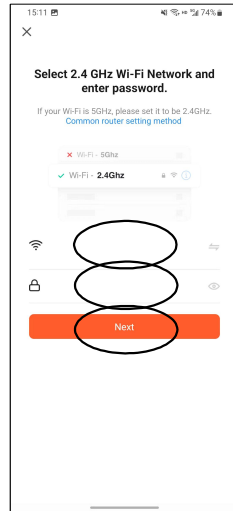
⚠️Tip:
it needs 2.4GHz wifi



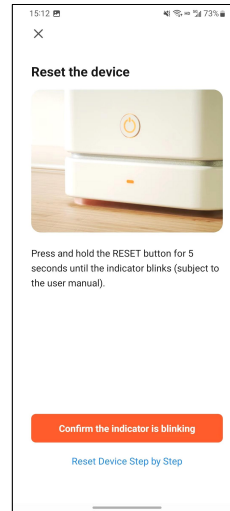
1. Open tuyu app and click add device



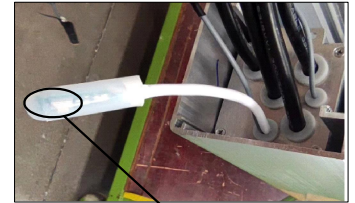
2. Search door window (WIFI) in the catagory



3. input the wifi password



4. start to link

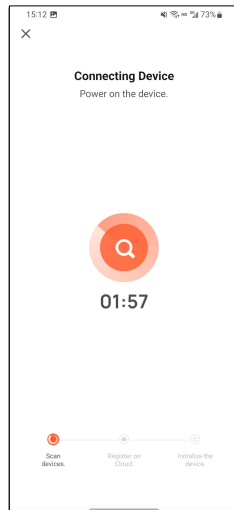


5. press and hole the button until the blue indicate light flash

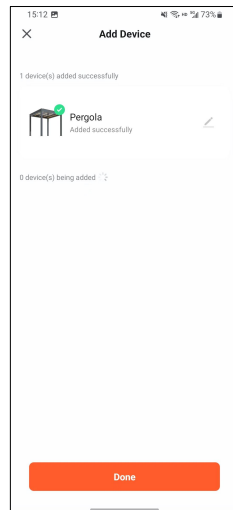
6. click confirm



7. select quick flash



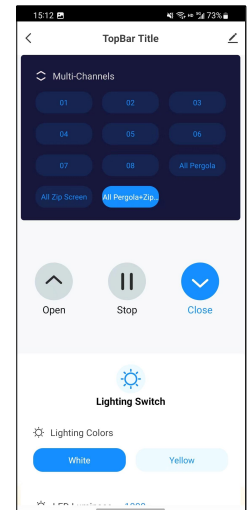
8. wait for link



9. success



10. select pergola to control it

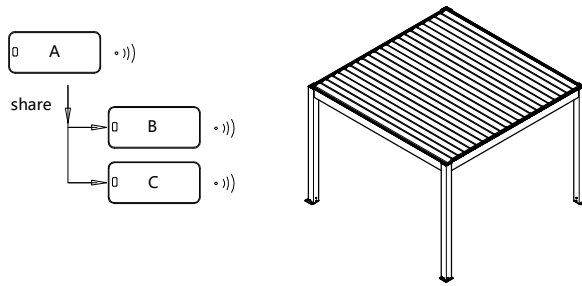


11. operation panel to control it

How to authorize account to family members

一、 TUYA APP

When you connect to tuya app successfully ,you can share the account to your family members



TIPS:

- 1.the owner's phone (A) connect to pergola , he can operate the pergola by his phone A,
- 2.the other family members also download TUYA app and sign in in

1. Create a family group in the phone A



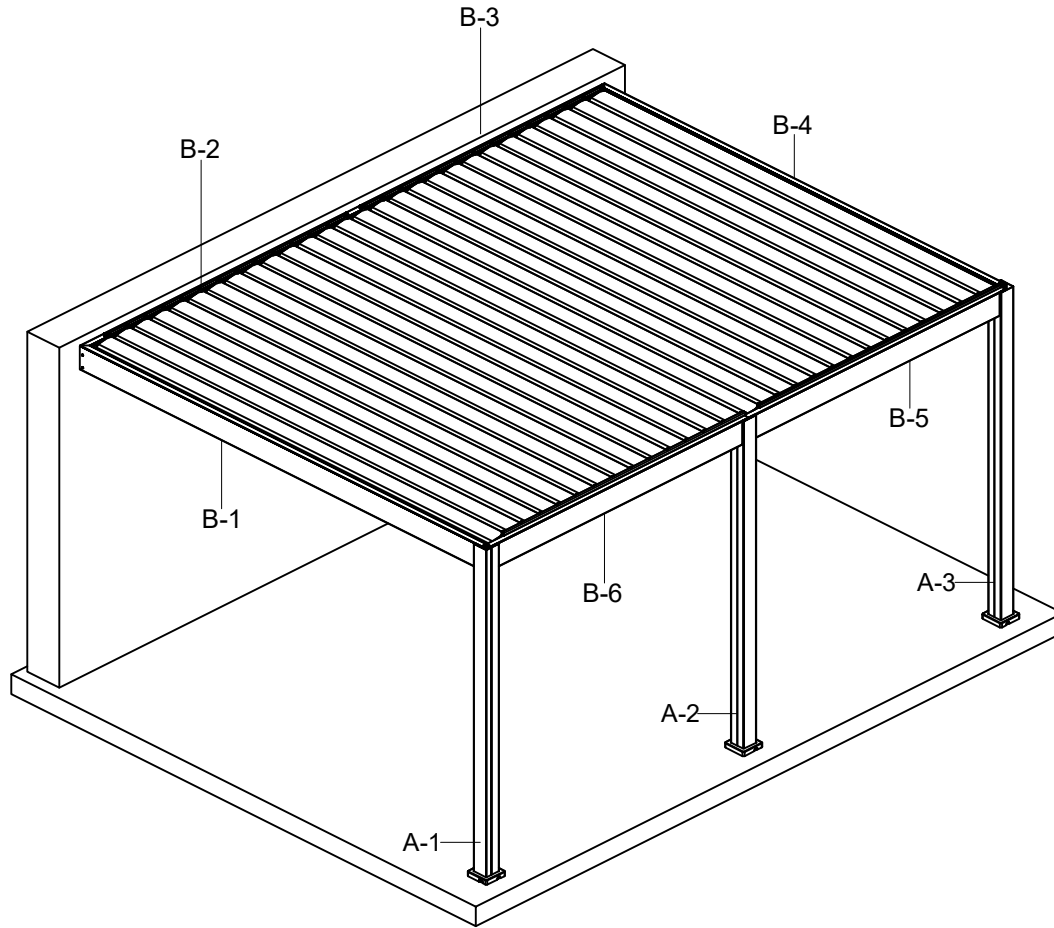
- 1、 creat a family group
- 2、 click my family
- 3、 name the faily group
- 4、 click into the goup and link to pergola as before
- 5、 share to the other family members






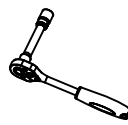
- 6、 click into family group
7. join this family goup
8. input the invite code
9. confirm and successly join
10. you can try to operate the pergola on the phone



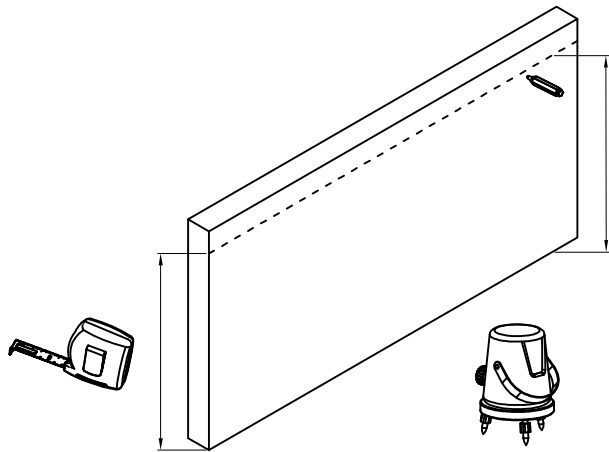
WALL-MOUNTED MANUAL



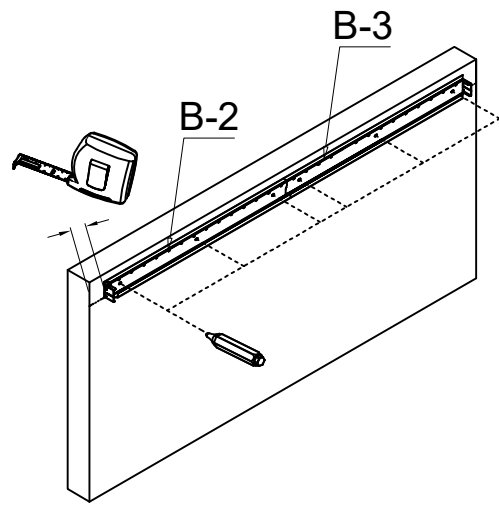
Hardware list

(27)	expansion plug (M14*75)	
(28)	wood screw (M10*100)	
(29)	30mm cap	
	17mm wrench	

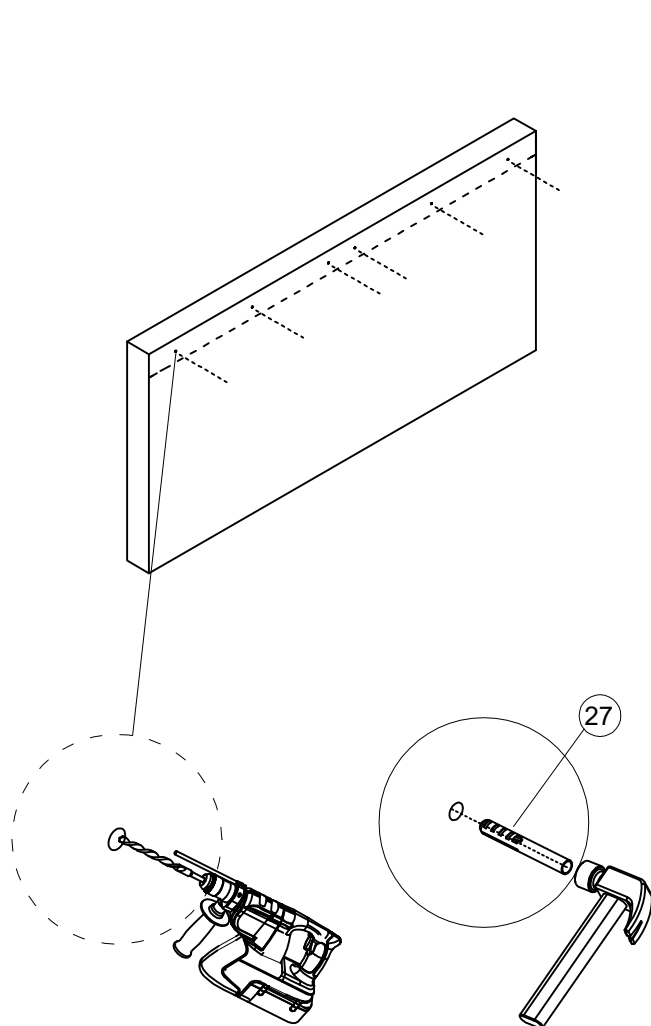
STEP 1: Install the wall-mounted gutter first



2.1 Take use of electric spirit level to mark the gutter position

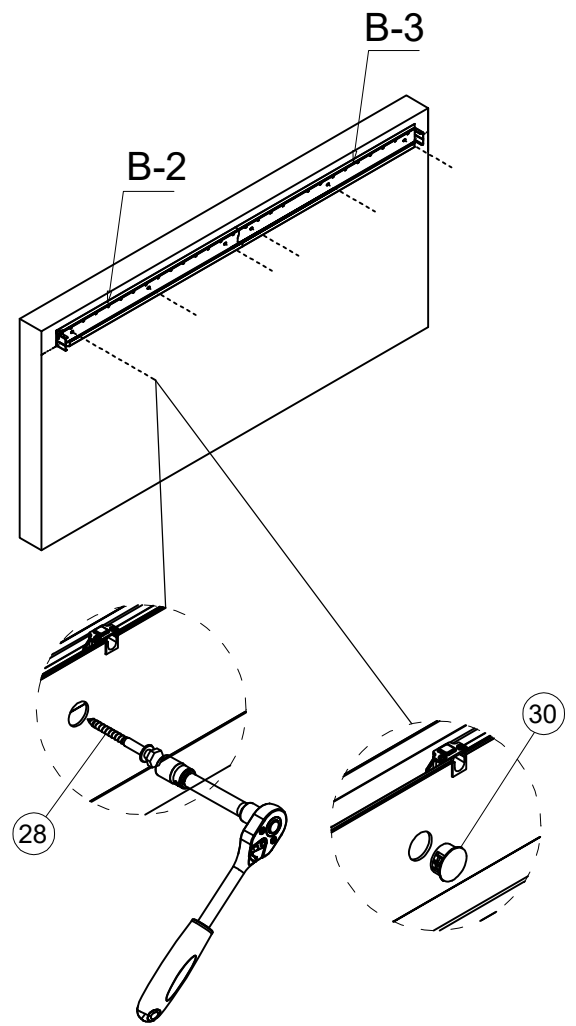


2.2 Mark the holes position through the pre-drill holes on the gutter



2.3 Drill $\phi 14$ mm holes on the wall

2.4 Stuff the expansion plug into the holes



2.5 Use wrench to screw the gutter on the wall

2.6 Stuff the cap

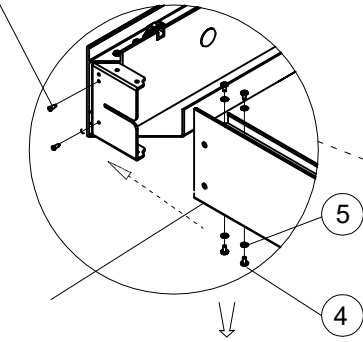
⚠ Tip:
check the gutter position
before you fasten the screw

STEP 2 : Assemble the pergola frame

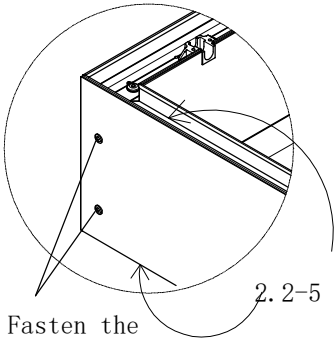
2.1 Assemble one bay pergola frame

2.1-1 Fasten the gutter with post

2.2-2 Loosen these two screws

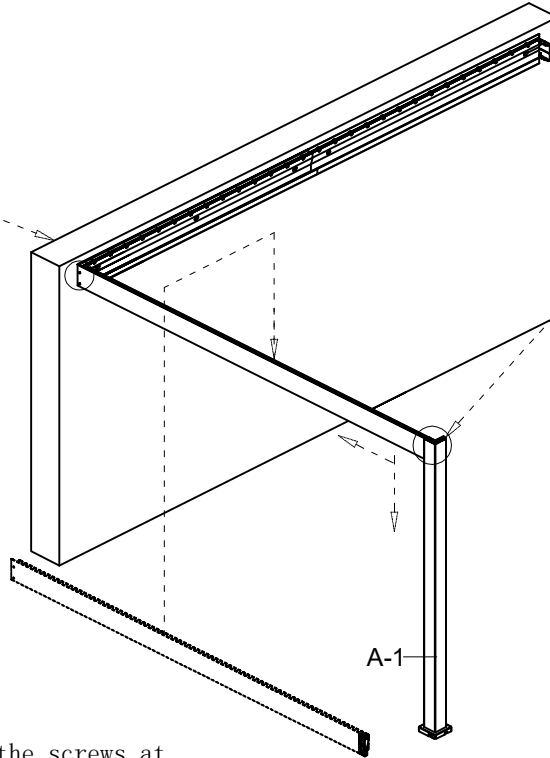
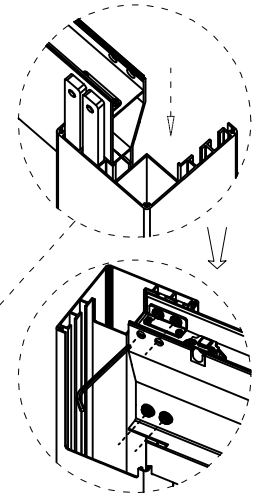


2.2-3 Inset the gutter into the junction

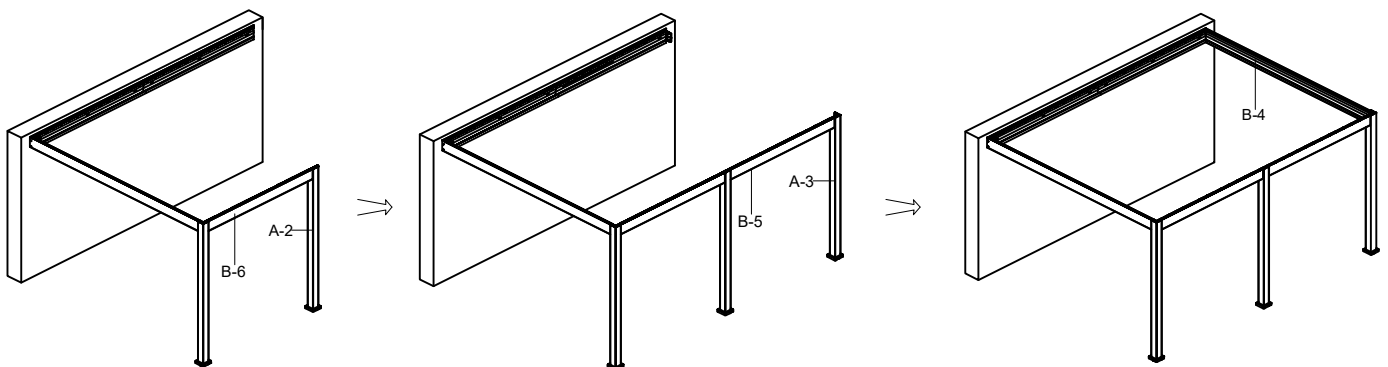


2.2-4 Fasten the screw first

2.2-5 Fasten the screws at up and bottom of gutter



2.2. Assemble the other bay frame as same as step 2

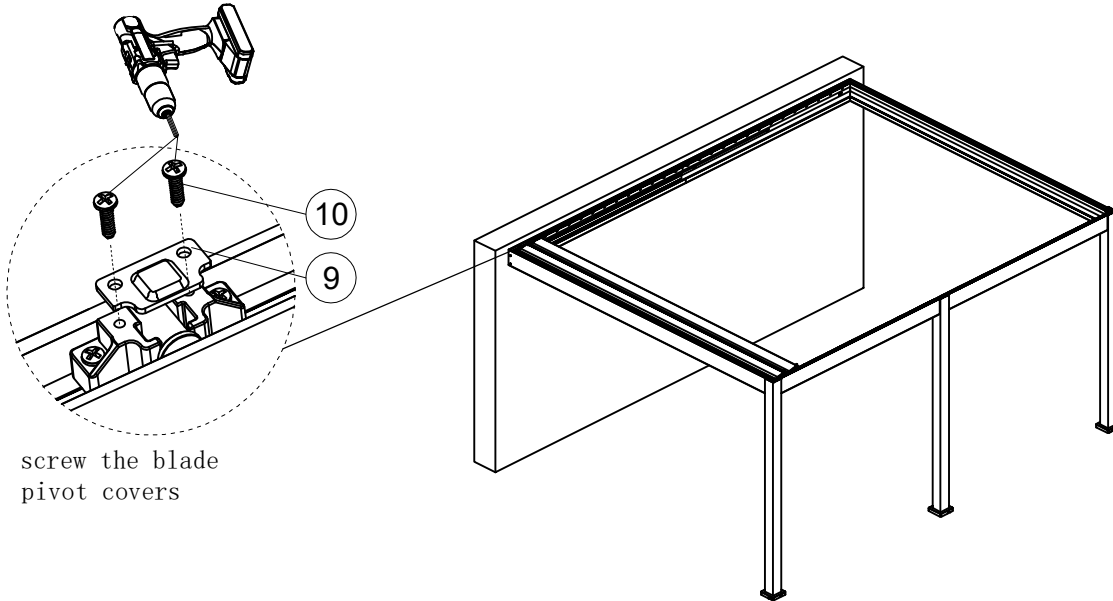


⚠ 注意：
框架安装好后，在打孔安装立柱底座与地面固定的拉爆螺丝前，
务必按图复核尺寸

Install the remain work as same as previous steps

Tips:

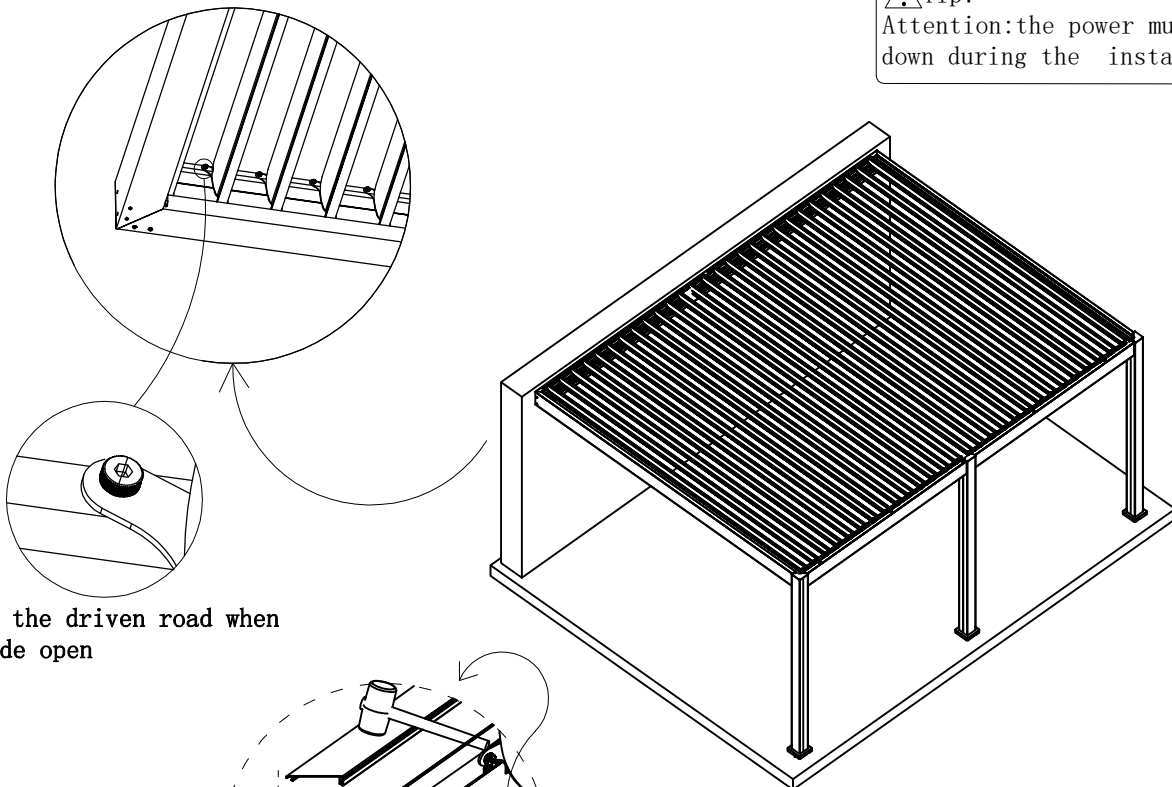
1. When you settle the blades ,you should fasten the blade pivot covers when each 3 pcs of blades settled



screw the blade pivot covers

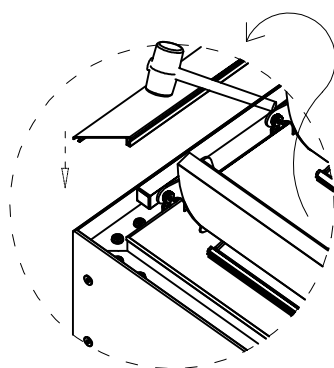
2. When the blade vertical to wall ,you should install the again wall side driven rod first. and input power to open the blades to fix the wall mounted side driven rod through blade gaps

⚠ Tip:
Attention:the power must be cut down during the installation



- 2.2 Install the driven road when the blade open

- 2.3 Install the cover through the blade gap



Trouble shooting

malfunction	solutions
motor and led lights don't work	<ol style="list-style-type: none"> 1. check the cables connect if correct 2. check if there is an available voltage for pergola : 110V or 220V 3. check the remote if learn to match the control system 4. check the remote battery is work or not 5. check the control system has power output or not
can not open the blades	<ol style="list-style-type: none"> 1. check the motor is working or not 2. check the driven rod if installed successfully 3. check the driven blade connected the motor or not
water leak at fan beam position	<ol style="list-style-type: none"> 1. check the connection if do silicone sealant dealing
remote doesn't work	<ol style="list-style-type: none"> 1. press the learn button within 5 seconds when the motor input power 2. check the remote battery is available
can not link to APP	<ol style="list-style-type: none"> 1. ensure you read the manual of tuya app link 2. you should remove the previous phone record then you can connect again

Care and Maintenance

CARING FOR YOUR PERGOLA

Structure surface coated with the thermosetting powder coating must be cleaned once a year to maintain their original appearance

Thermosetting powders are sensitive to :

1. Physical friction ,hard impact ,extrusion ,chemicals including alkaline solvent and acidic solvent.
2. Natural elements such wind,rain ,snow ,and prolonged sunlight .The exterior of the pergola may deteriorate over time and this will not be covered under the warranty.

CLEANING YOUR PERGOLA

1. Do not use a scouring pad ,cream cleaner ,abrasive sponge ,iron wire ball ,or colored cloths.
2. Recommended : soft sponge , soft sand-free cloth ,cotton wool , cotton ,or-non-woven paper (white only)
3. Do not use corrosive products such as acidic or alkaline cleaners , It is recommended to wash with neatral PH detergent water and then wipw it with a cloth to keep it try.
4. When cleaning with high -pressure equipment, the same precautions must be taken when cleaning the car body :distance ,nozzle type ,water temperature ,and pressure should all be considered.

USE REMINDER

After the installation is complete ,check that the screw are tight, Remember to check the screws at least once per year

1. Regularly check the sealing consitions to ensure the seals or other companents don not leak.
2. Regularly cean up debris sich as fallen leaves on the pergola to prevent blockage of the drain.
3. Restrictions on use :Watertigh systes ,although effective ,are not designed to ensure complete water proofing ,Heavy rain and strong winds may damage the pergola ,Any damage incurred will not be covered under the warranty.

Letter of thanks

Dear Customer :

We appreciate your recent purchase .We really hope you can enjoy the happy time with your loved ones and friends under our stylish aluminum pergola .

We know that you could have bought from any one of our competitors ,but you choose us .For that ,and all of your previous purchases ,we wanted to say thank you ,You are a valued customer and we'll continue to strive for the best customer service we can offer .If you care to share any future stories from the road ,we [love to hear them .Thanks again !

Gratefully

LIVING CULTURE