

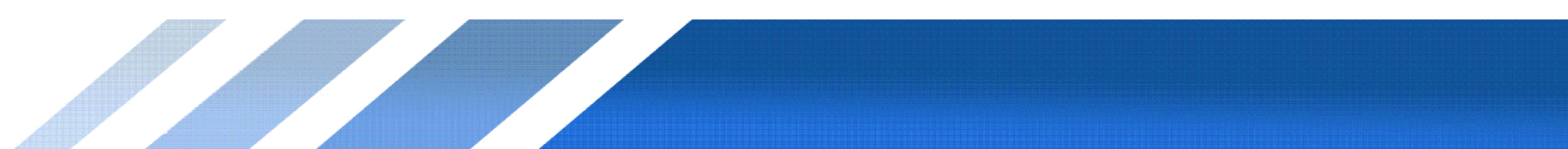
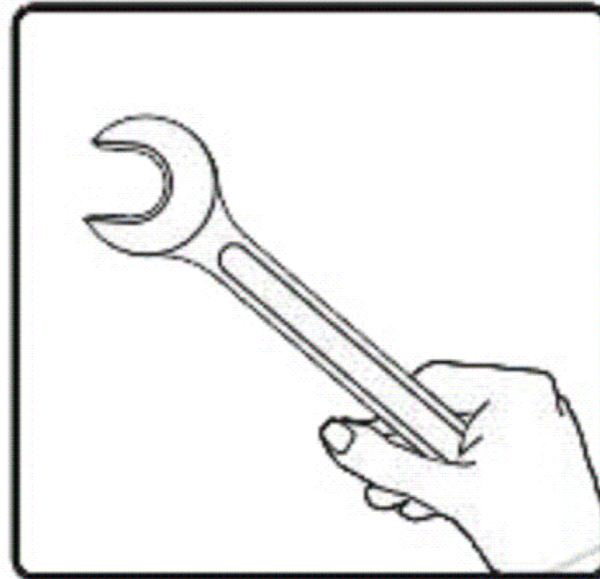
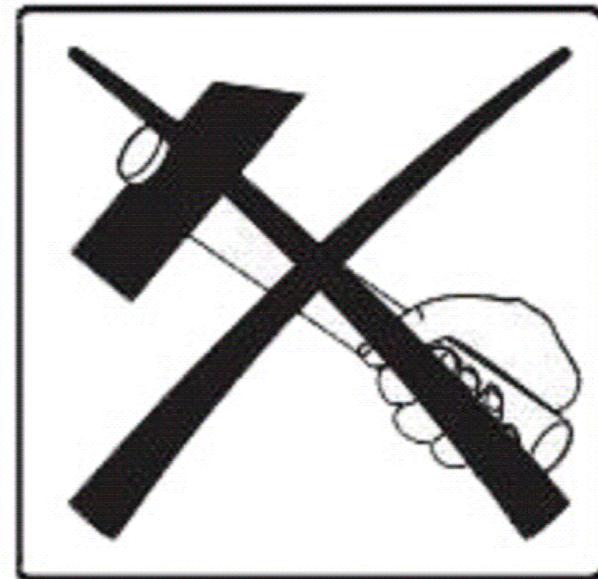
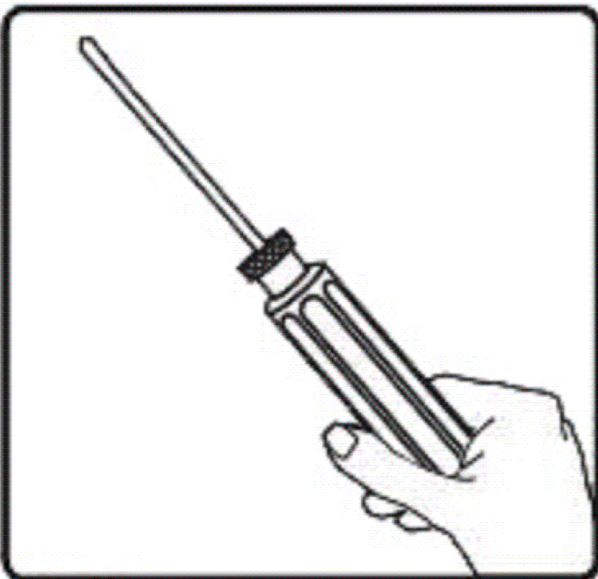
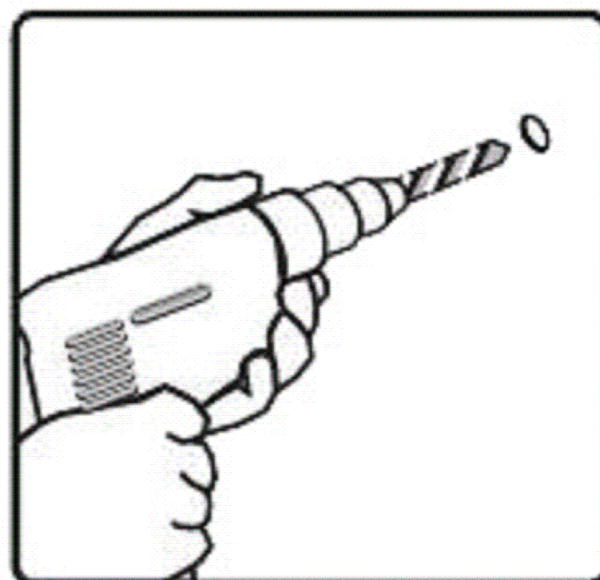
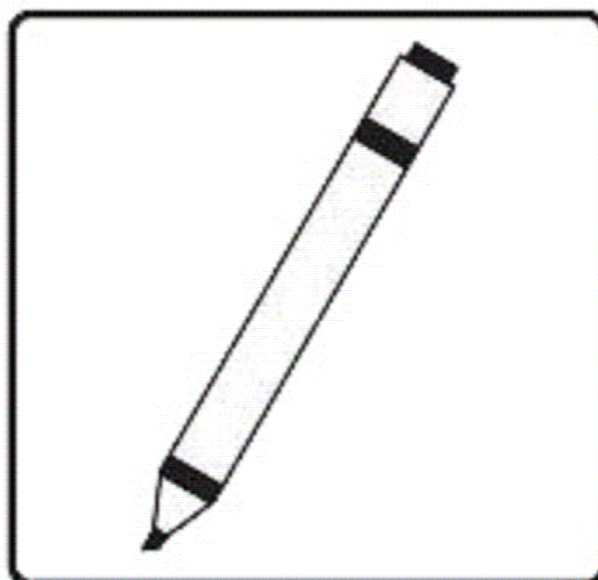
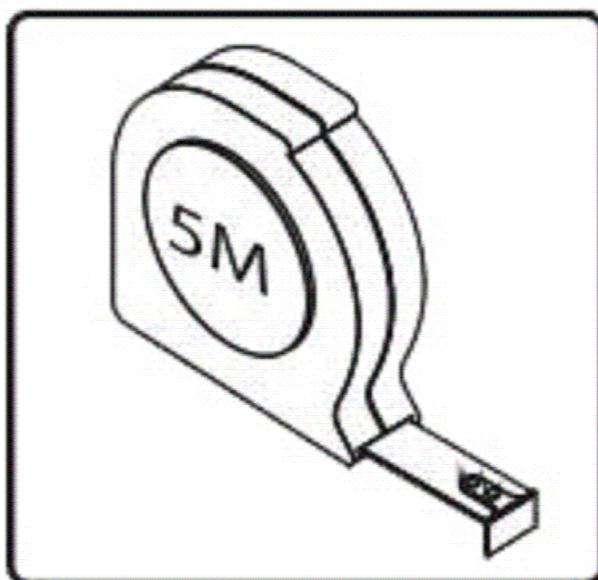
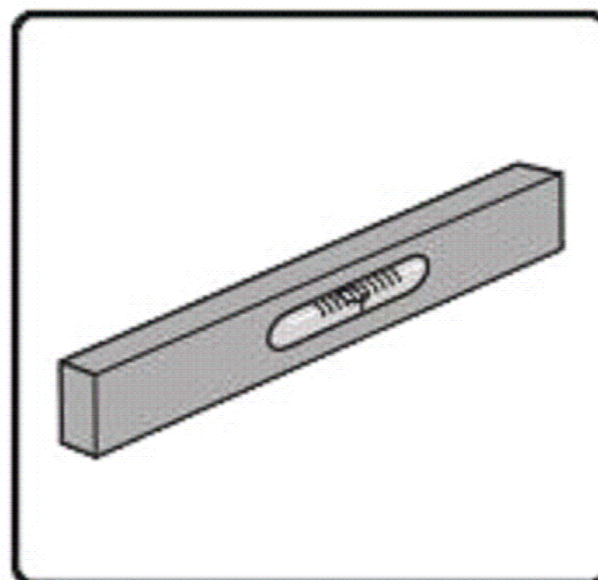
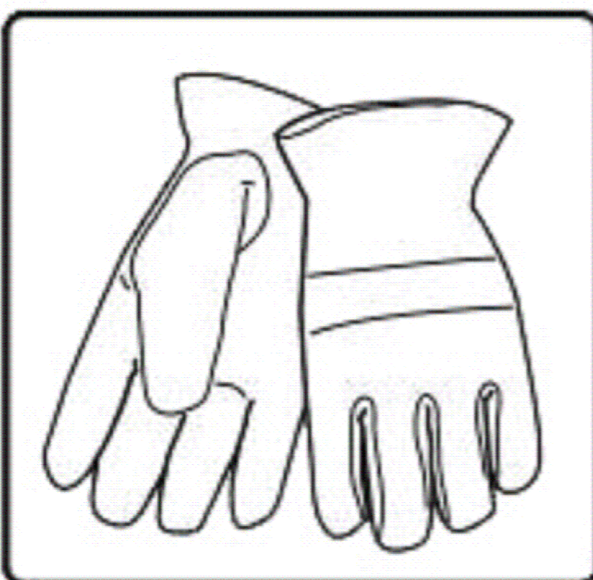
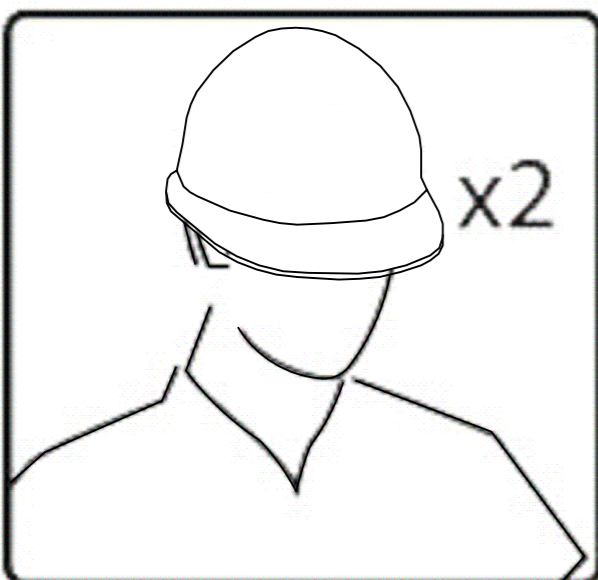
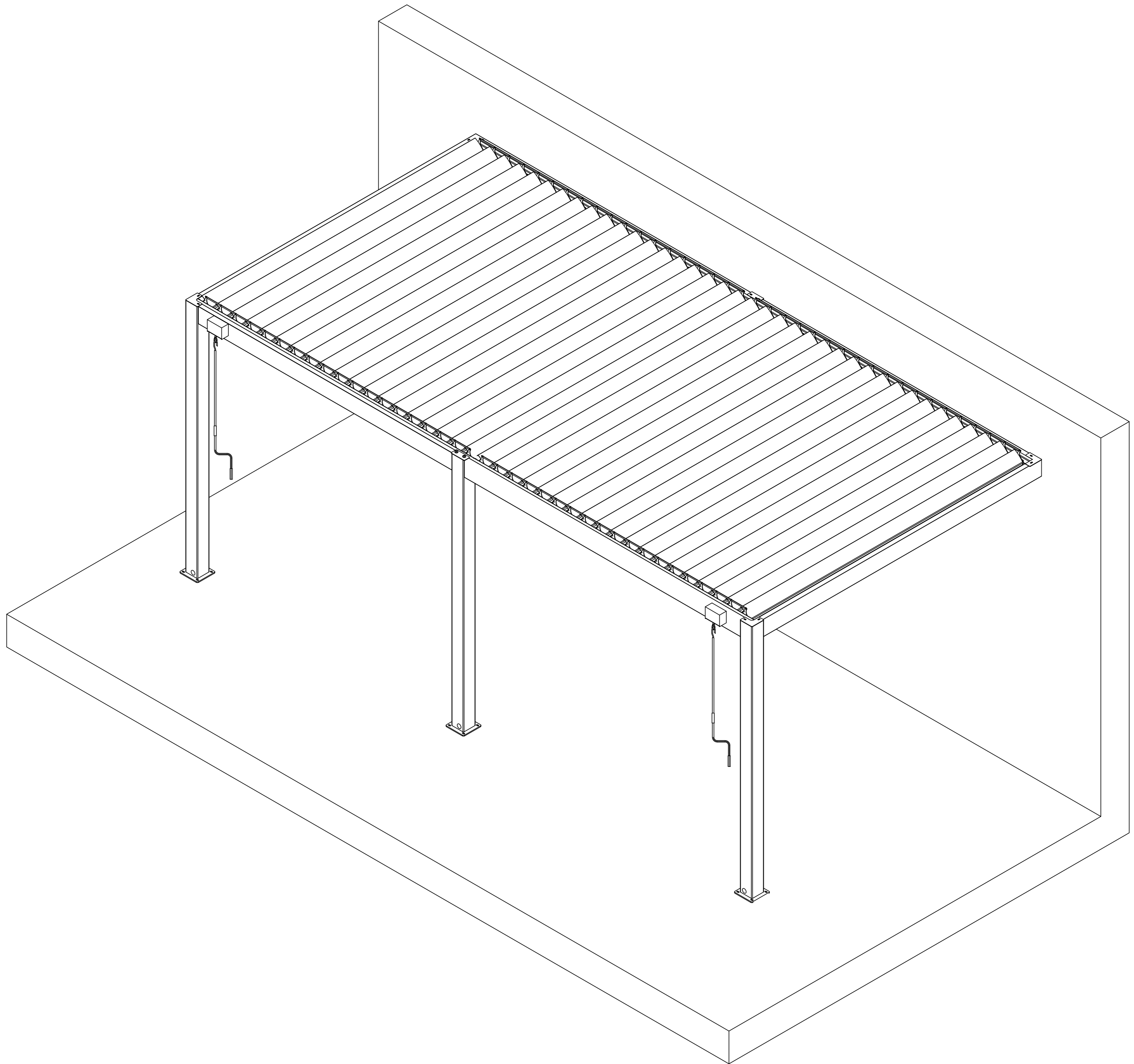


LIVING CULTURE

MANUAL PERGOLA WALL MOUNTED 3 POSTS

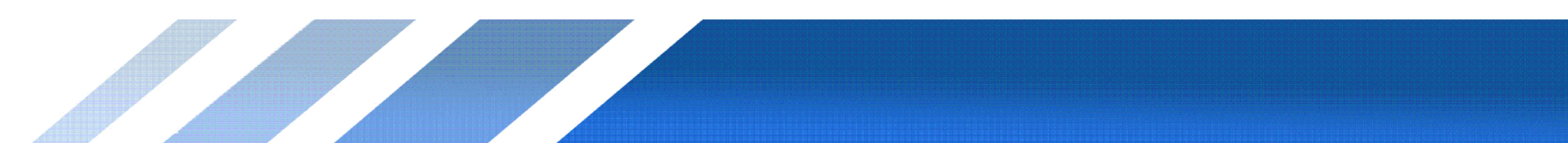
5x3m



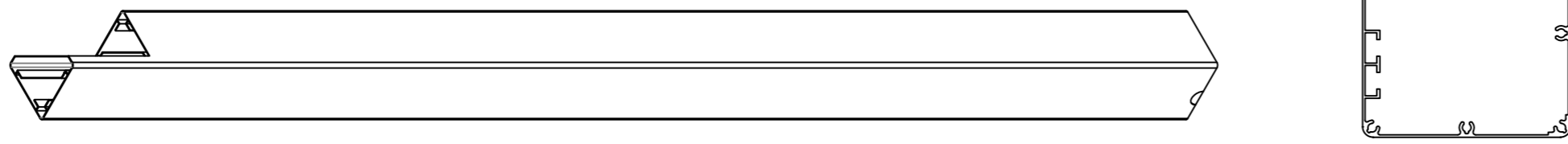
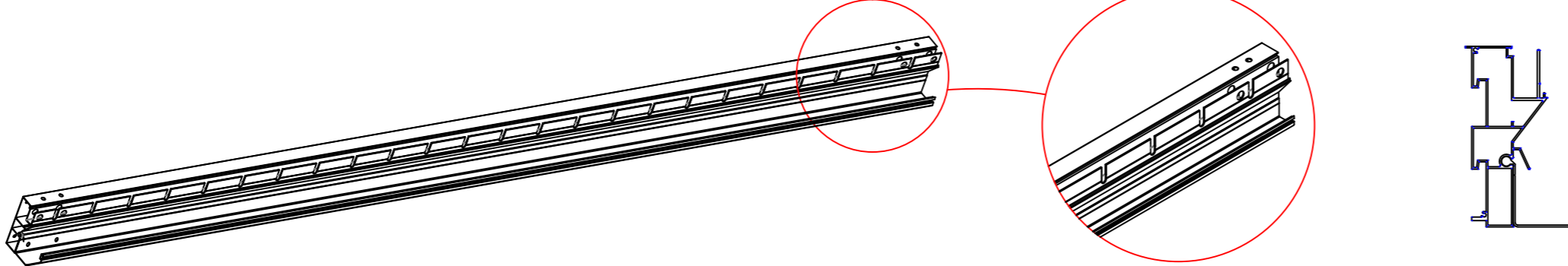
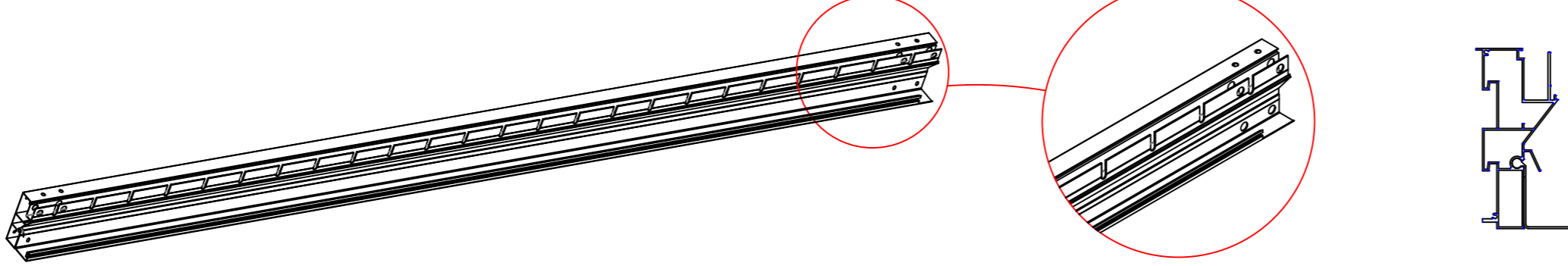
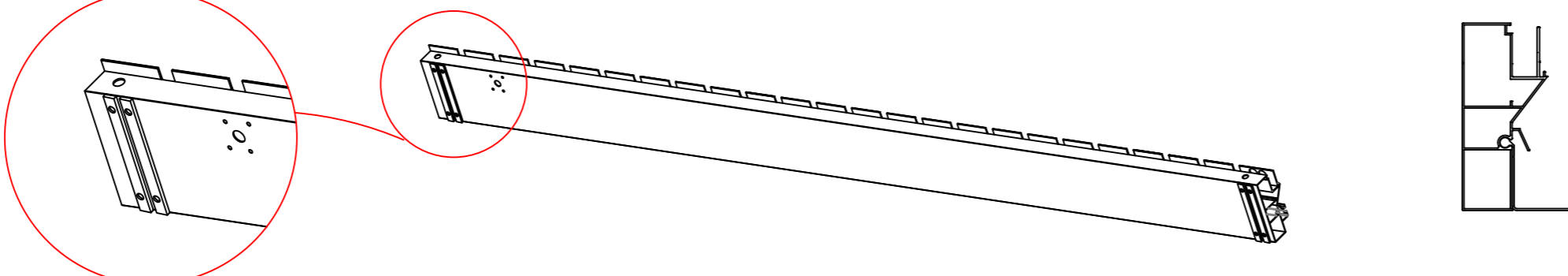
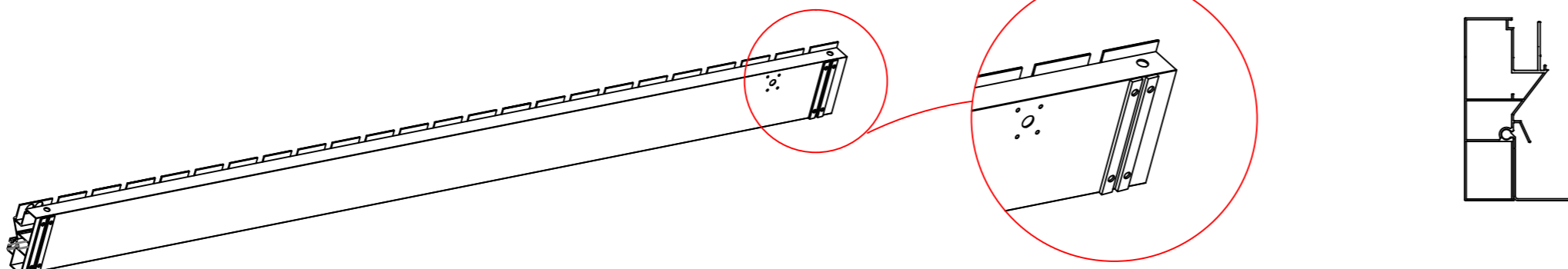
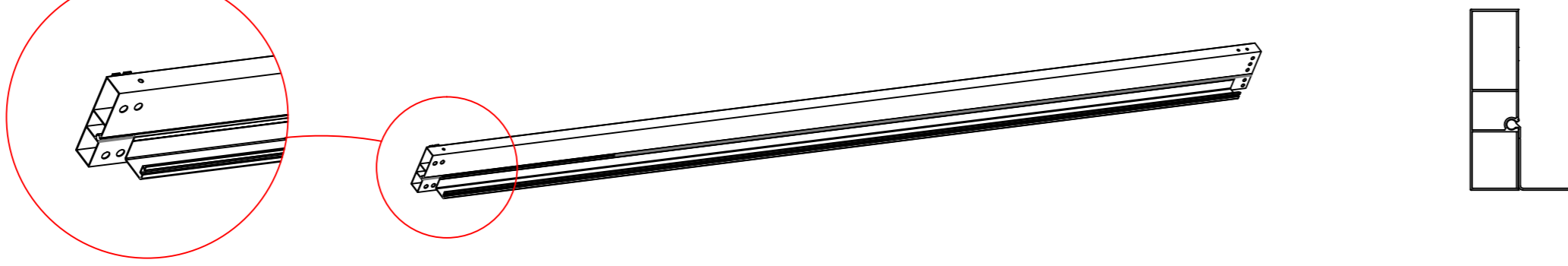
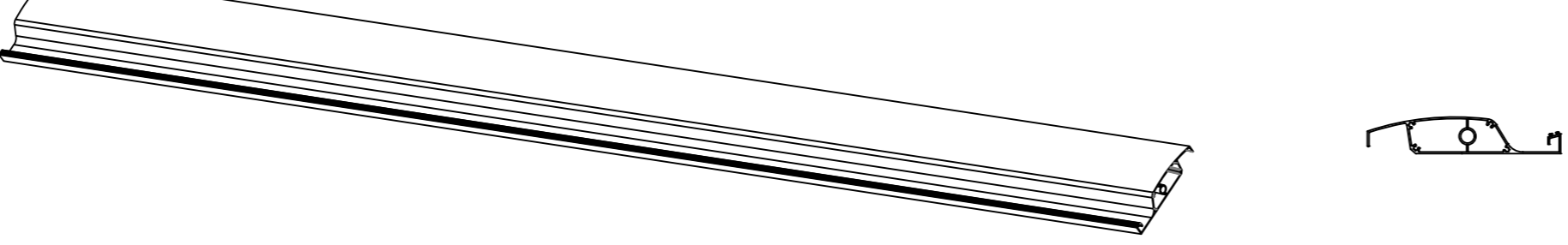
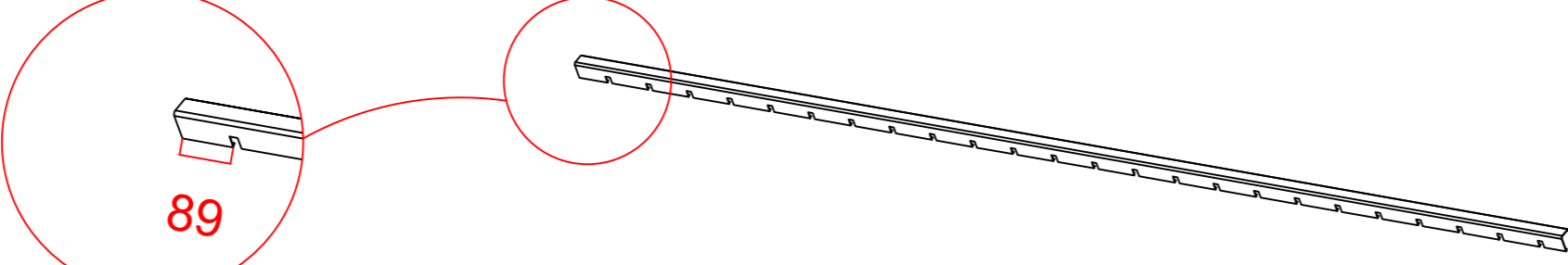
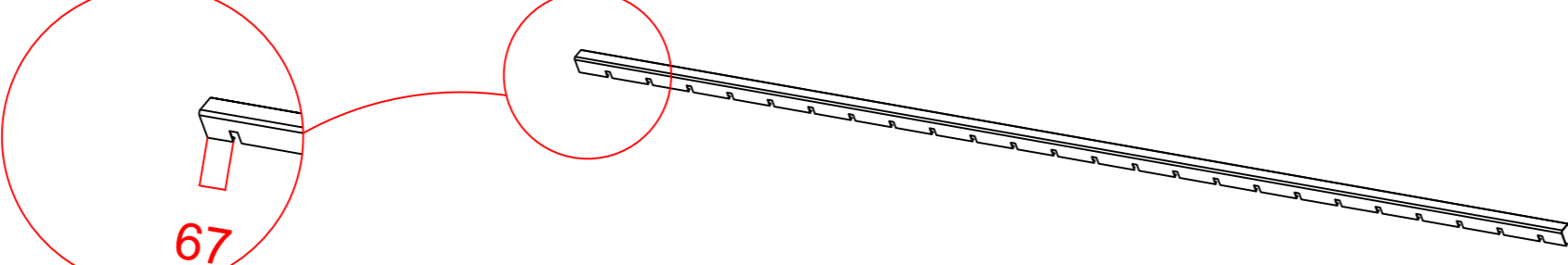
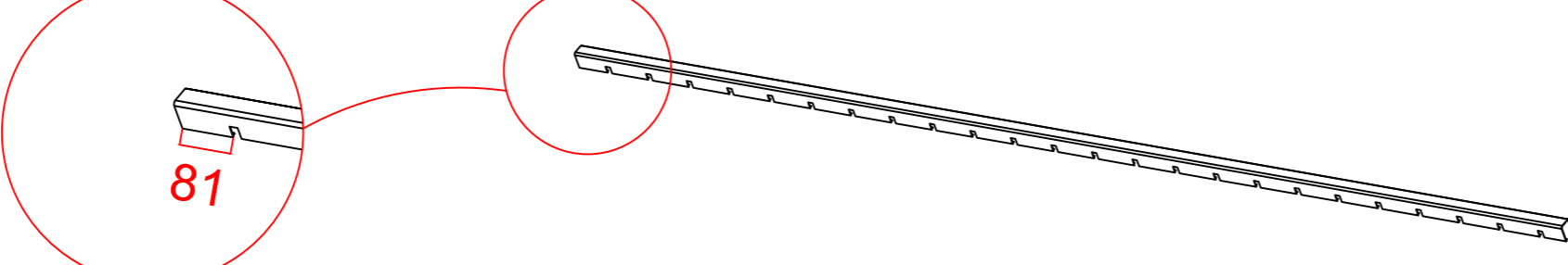
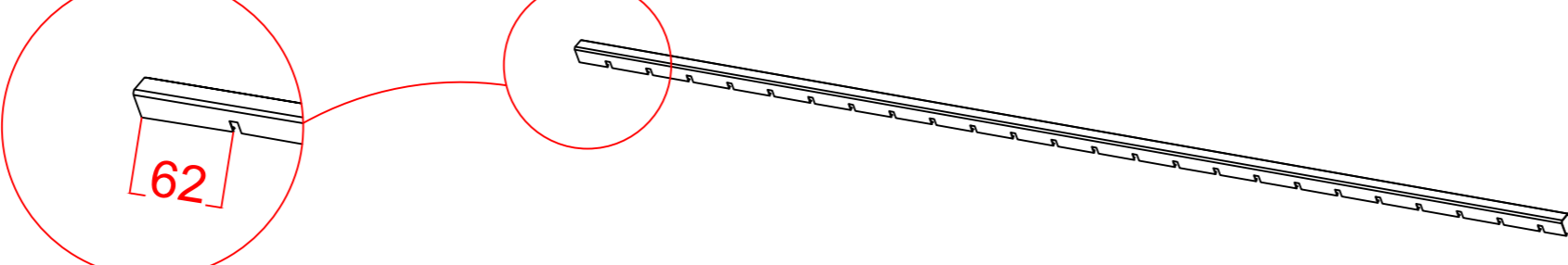
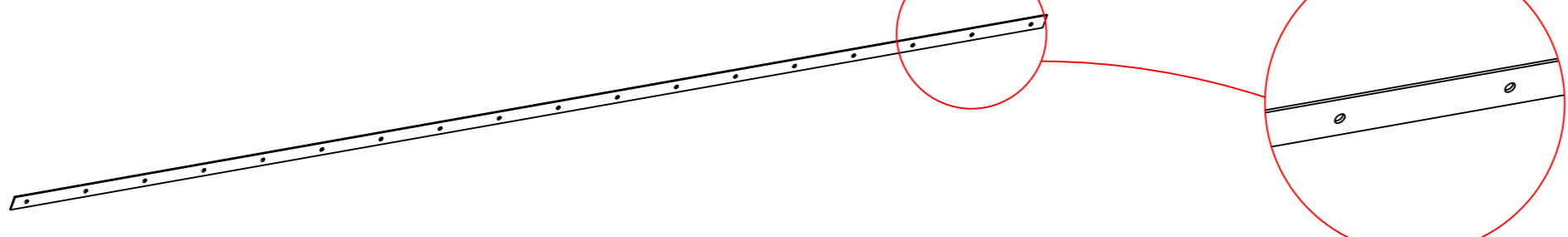




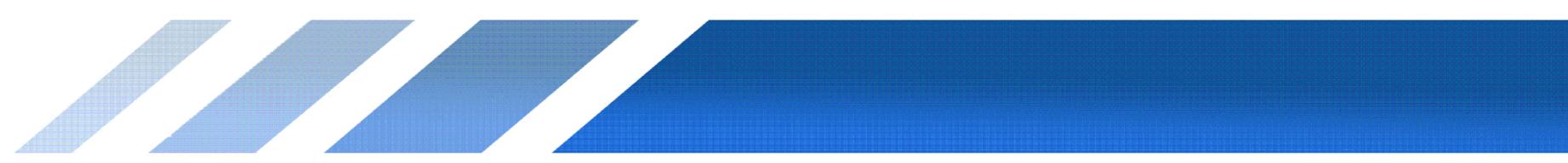


| | Item | Qty | Item | Qty | Item | Qty | Item | Qty |
|---------------|---------|-----|---------|-----|---------|-----|---------|-----|
| Carton 1/4 | 3B-01 | 2 | 3B-11 | 2 | 3B-12 | 2 | 3B-13 | 3 |
| | 3B-14 | 2 | 3B-15 | 2 | 3B-16 | 2 | 3B-18 | 1 |
| | 3B-19 | 16 | 3B-20 | 68 | 3B-21 | 12 | 3B-23 | 34 |
| | 3B-24 | 1 | 3B-26 | 2 | 3B-32 | 1 | 3B-33 | 1 |
| | 3B-35 | 2 | 3B-36 | 4 | 3B-39 | 12 | 3B-40 | 2 |
| | 3B-41 | 2 | 3B-42a | 10 | 3B-42b | 8 | 3B-45 | 12 |
| | 3B-45B | 4 | 3B-46 | 4 | 3B-48 | 34 | 3B-49 | 32 |
| | 3B-50 | 2 | 3B-51 | 272 | 3B-52B | 1 | 3B-53 | 4 |
| | 3B-54 | 9 | 3B-55 | 2 | 3B-62 | 12 | 3B-27 | 1 |
| | 3B-22 | 18 | | | | | | |
| Carton 2/4 | 3B-02 | 1 | 3B-02-2 | 1 | 3B-03 | 1 | 3B-03-2 | 1 |
| | 3B-08-a | 1 | 3B-08-b | 1 | 3B-08-c | 1 | 3B-08-d | 1 |
| | 3B-09 | 4 | 3B-56 | 2 | 3B-04 | 2 | | |
| Carton 3/4 | 3B-06 | 18 | | | | | | |
| Carton 4/4 | 3B-06 | 16 | | | | | | |





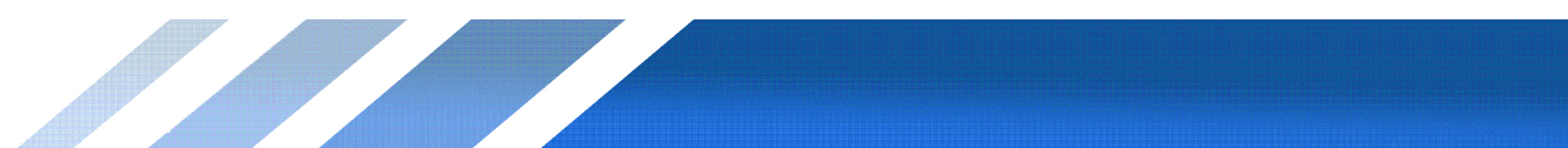
| Item | Drawings | Qty |
|---------|--|-----|
| 3B-01 |  | 2 |
| 3B-02 |  | 1 |
| 3B-02-2 |  | 1 |
| 3B-03 |  | 1 |
| 3B-03-2 |  | 1 |
| 3B-04 |  | 2 |
| 3B-06 |  | 34 |
| 3B-08-a |  | 1 |
| 3B-08-b |  | 1 |
| 3B-08-c |  | 1 |
| 3B-08-d |  | 1 |
| 3B-09 |  | 4 |
| 3B-56 |  | 2 |
| 3B-27 |  | 1 |

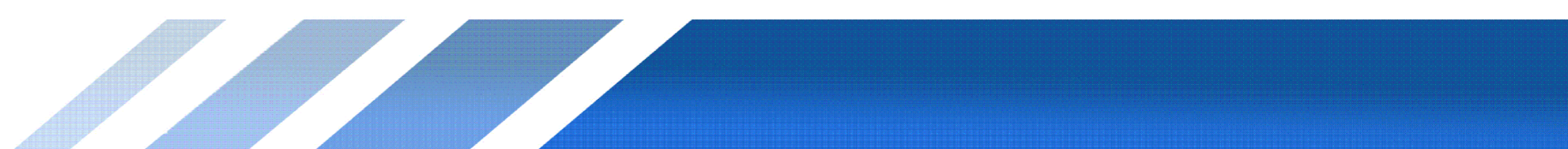
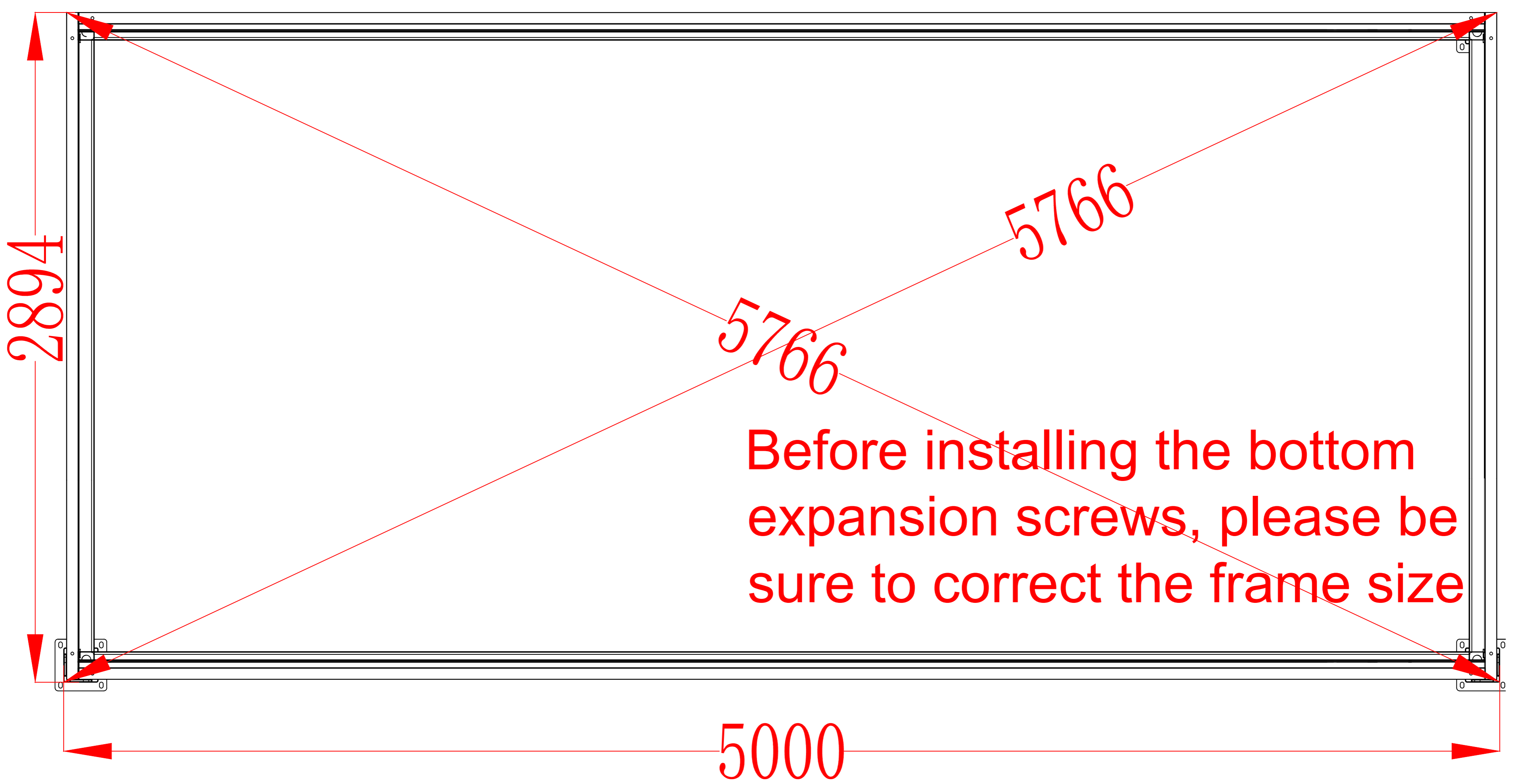
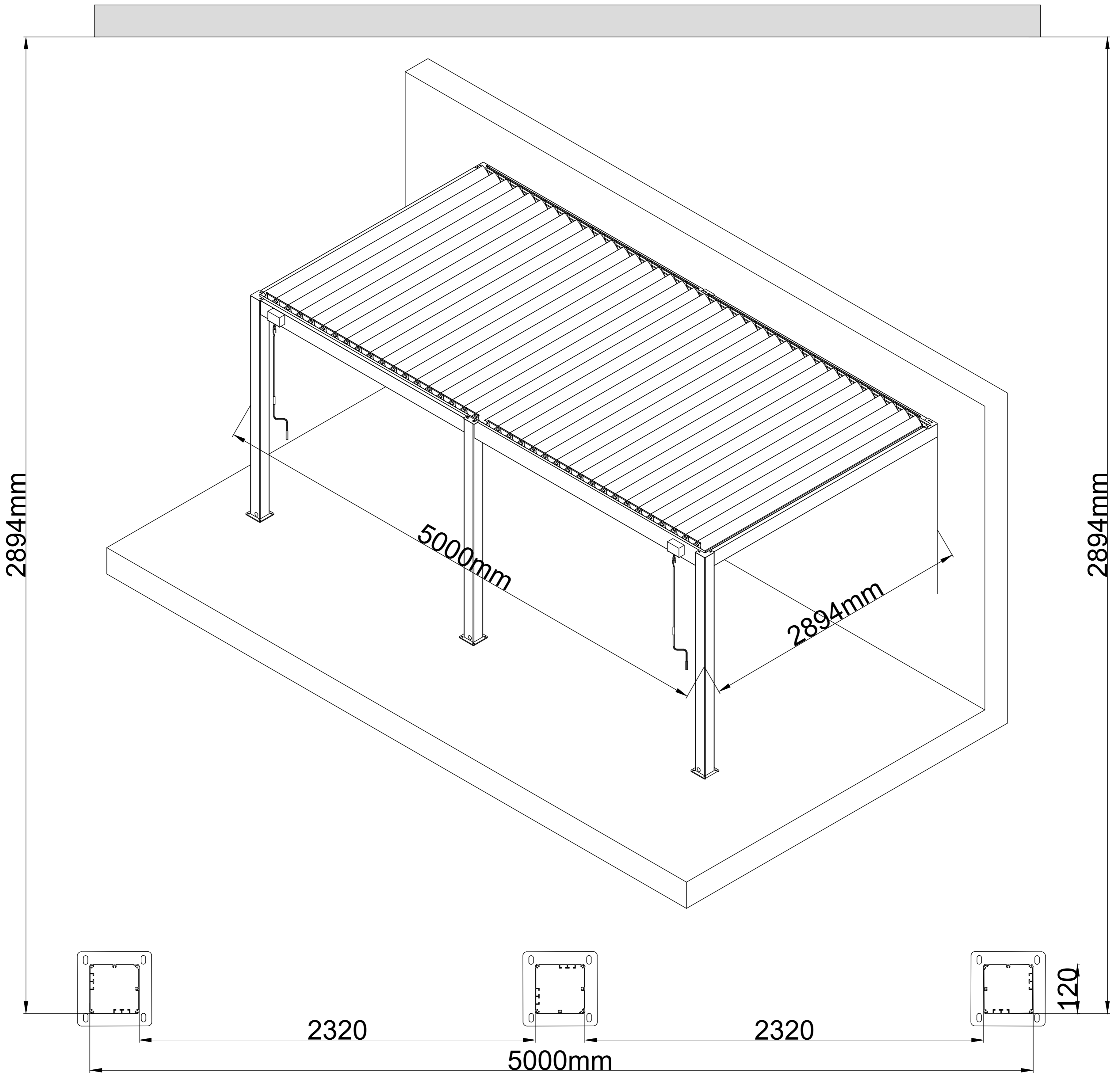




| Item | Drawings | Qty |
|-------|---|------|
| 3B-11 | | 2 |
| 3B-12 | | 2 |
| 3B-13 | | 3 |
| 3B-14 | | 2 |
| 3B-15 | | 2 |
| 3B-16 | | 2 |
| 3B-18 | | 1 |
| 3B-19 | M8*20 | 16+2 |
| 3B-20 | M8*20 | 68+2 |
| 3B-21 | M10*80 | 12 |
| 3B-23 | M4.2*19 | 34+2 |
| 3B-24 | | 1 |
| 3B-26 | | 2 |
| 3B-32 | | 1 |
| 3B-33 | | 1 |
| 3B-35 | | 2 |
| 3B-36 | M8*80 M8*60 M8*20 Additional accessories | 4 |
| 3B-39 | M8*100 | 12 |

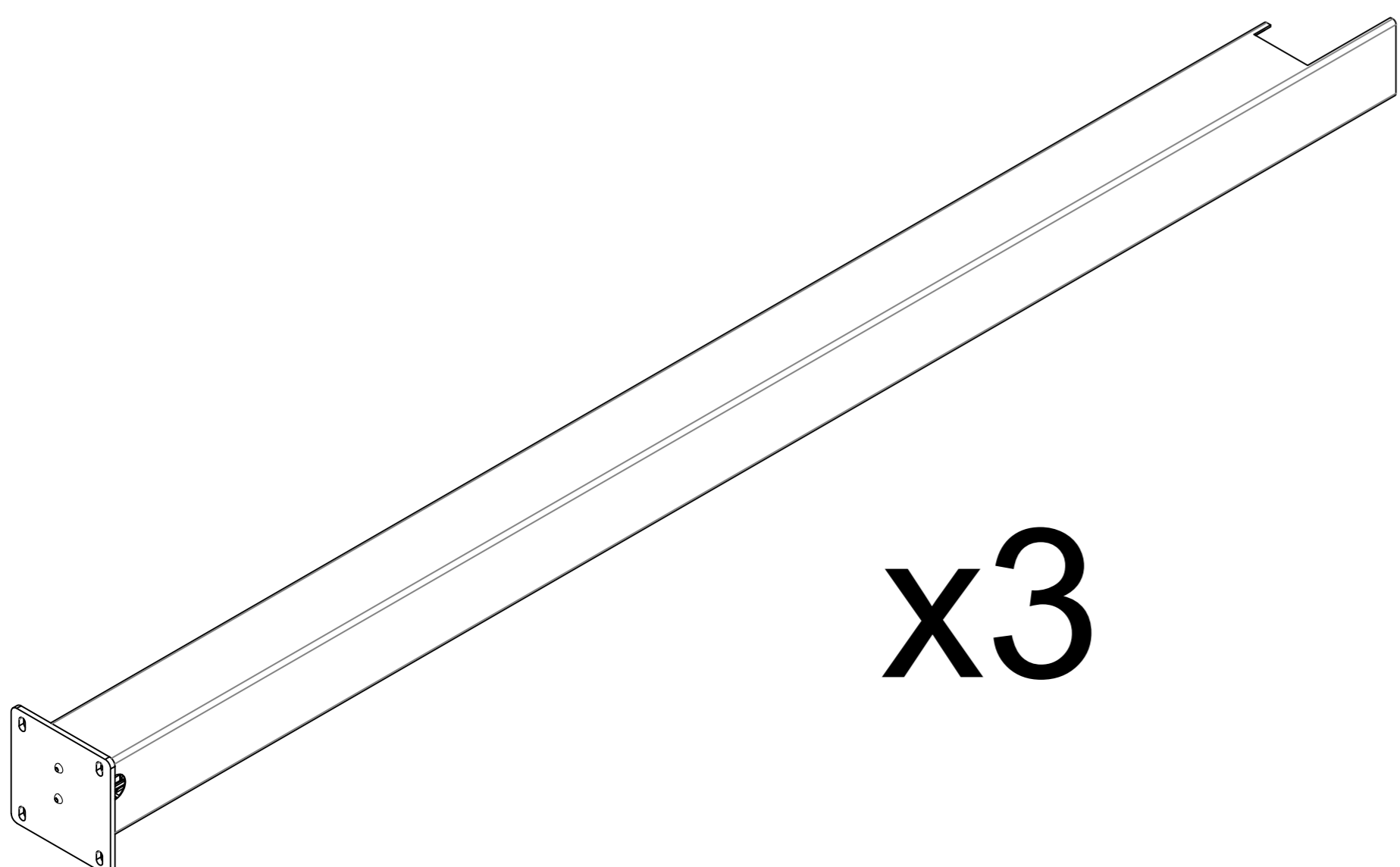
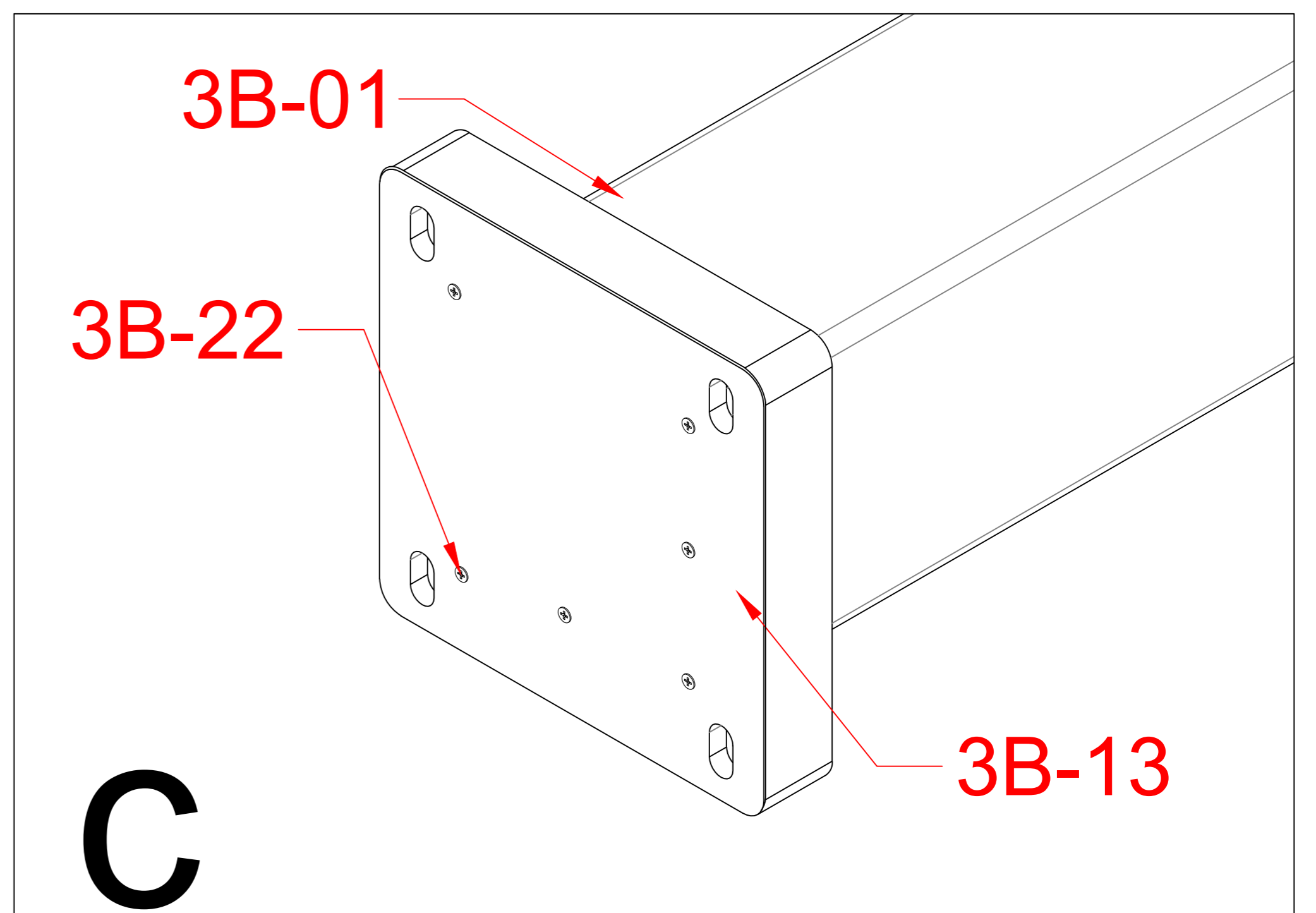
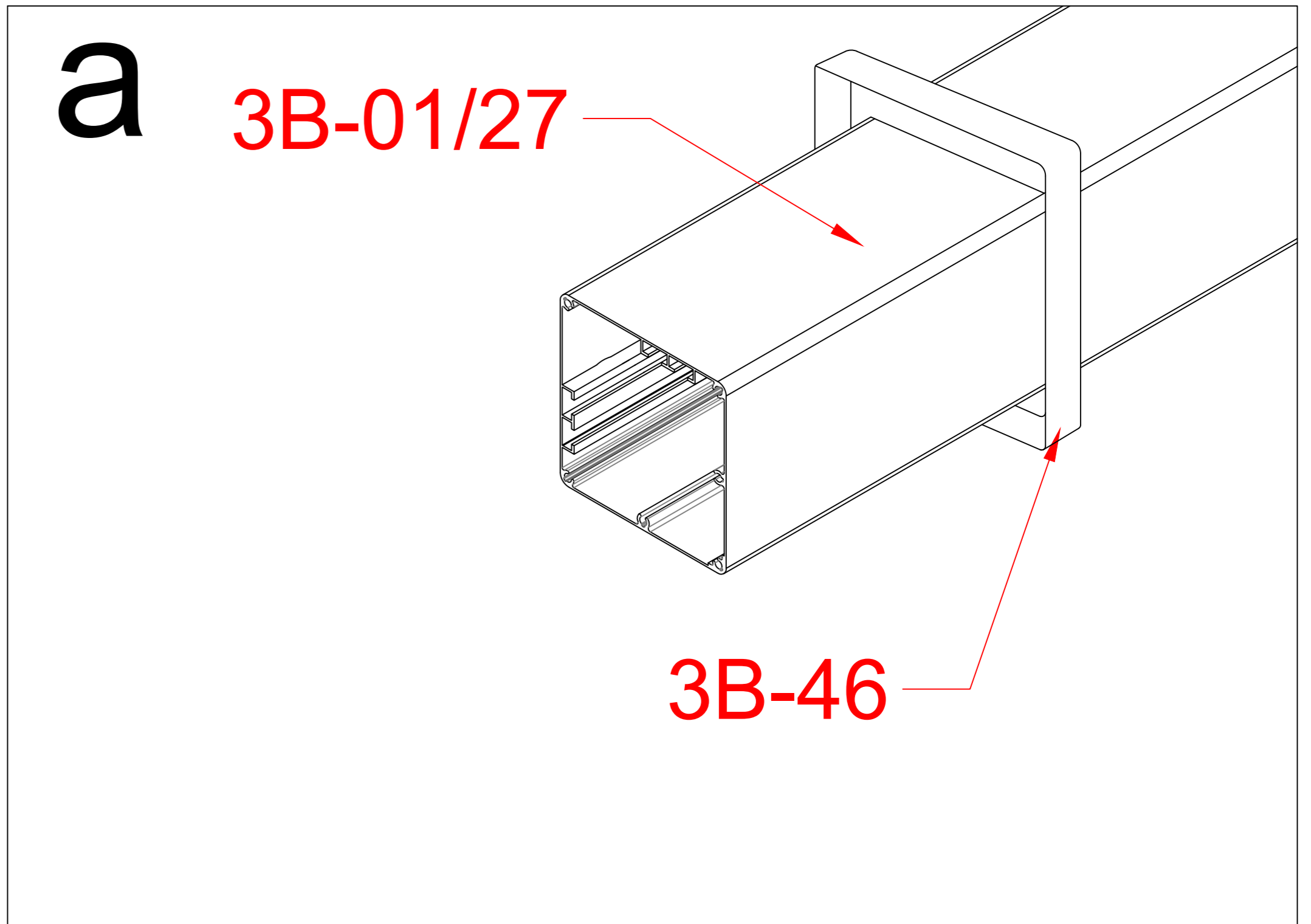
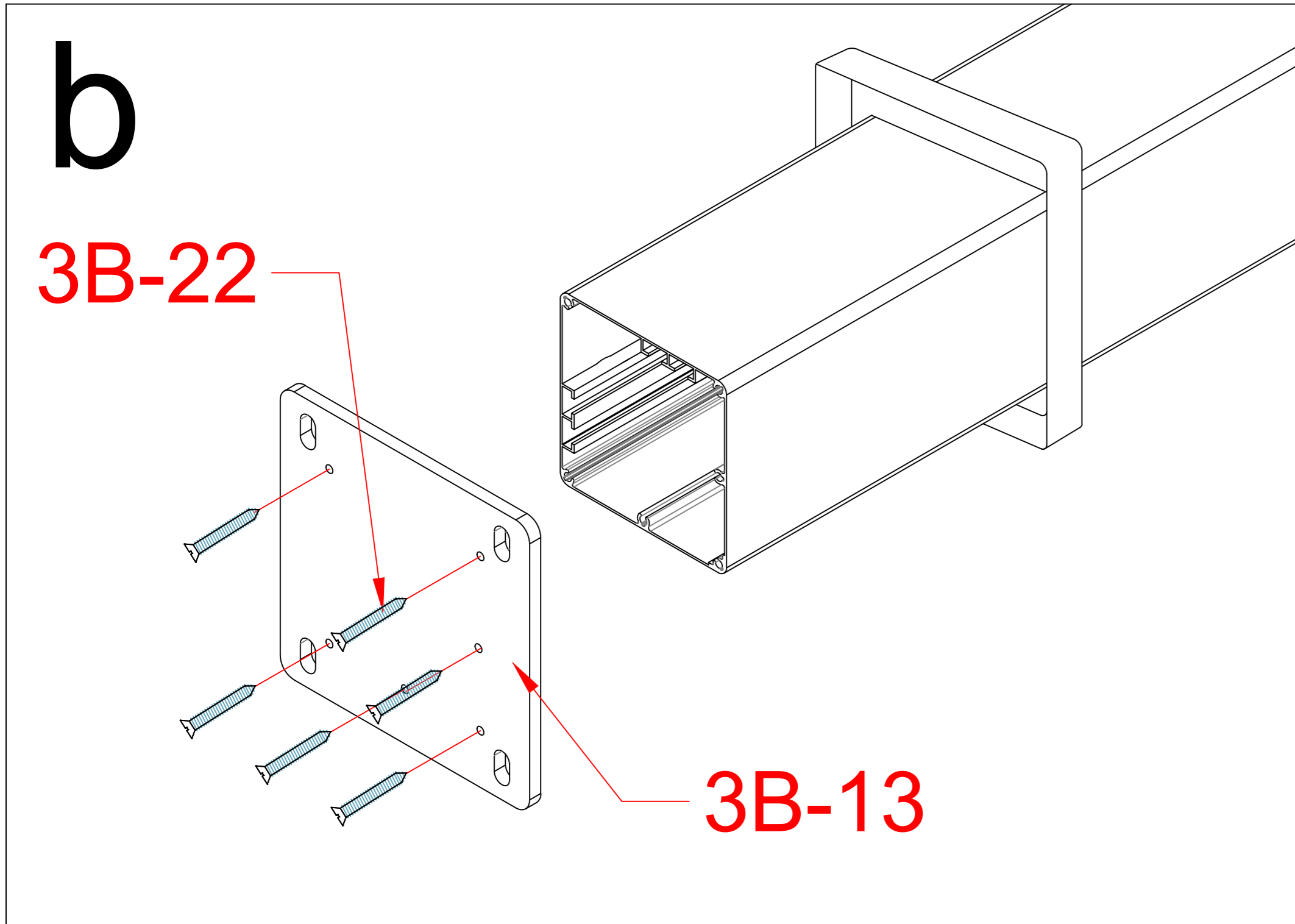
| Item | Drawings | Qty |
|--------|------------------------|-------|
| 3B-40 | | 2 |
| 3B-41 | | 2 |
| 3B-42a | M6*16 | 10 |
| 3B-42b | M6*16 ^P | 8 |
| 3B-45 | M8*10 | 12 |
| 3B-45B | | 4 |
| 3B-46 | | 3 |
| 3B-48 | | 34 |
| 3B-49 | | 32 |
| 3B-50 | | 2 |
| 3B-51 | M4.2*25 | 272+4 |
| 3B-52B | | 1 |
| 3B-53 | | 4 |
| 3B-54 | M4.2*25 | 9+2 |
| 3B-55 | | 2 |
| 3B-62 | M14*75 M10*100 | 12 |
| 3B-22 | M5.5*60 | 18 |



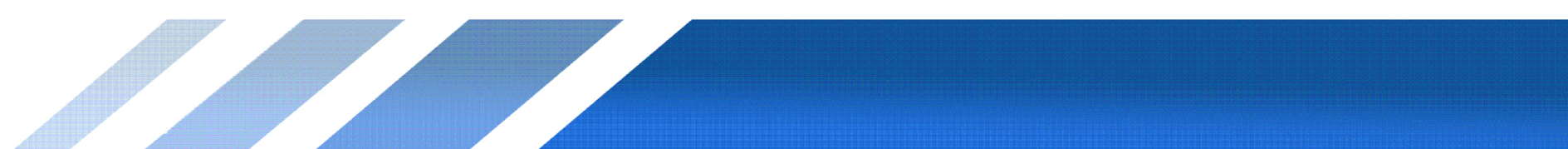


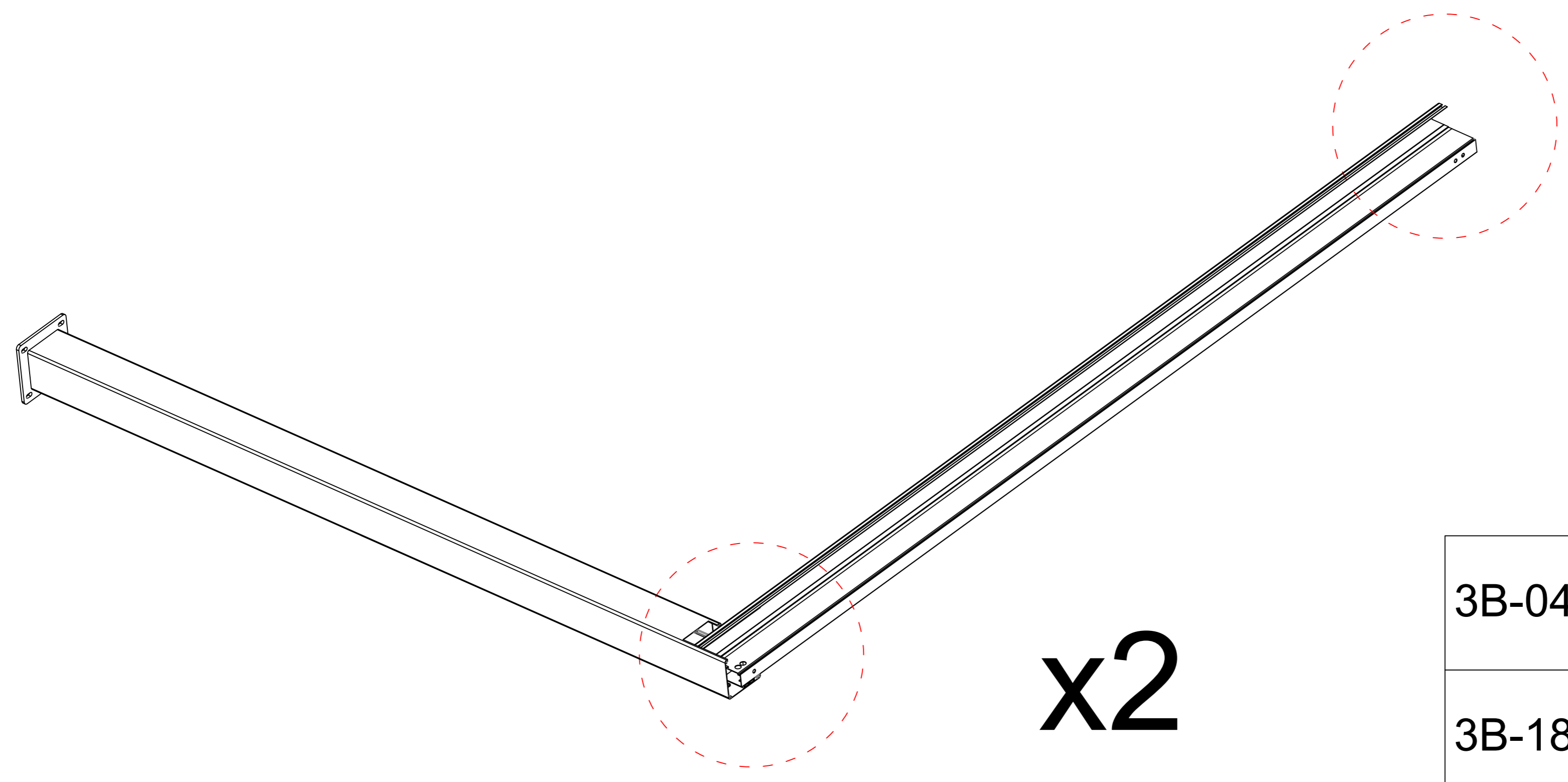
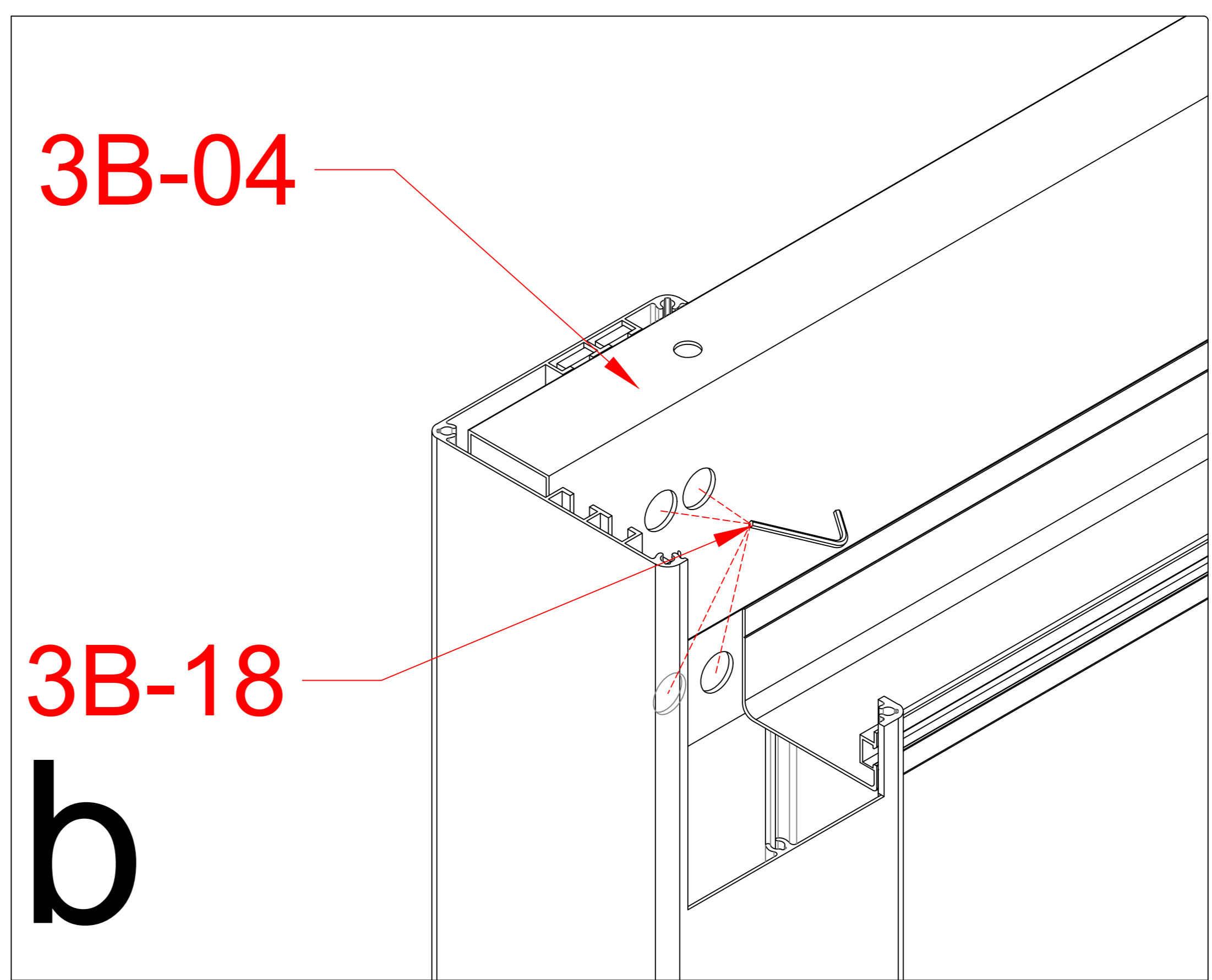
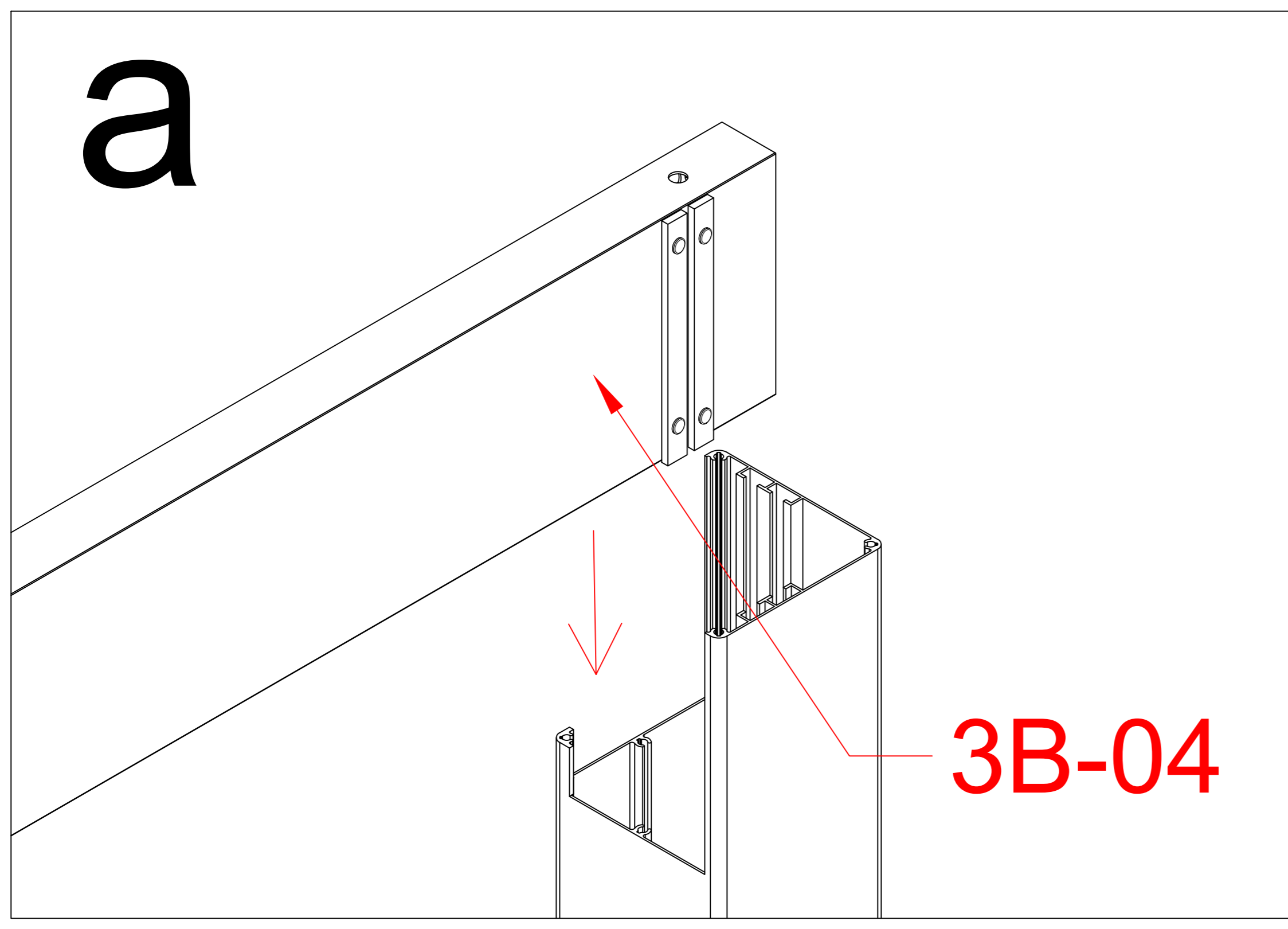


During the installation process, if you encounter any uncertainties, please refer to the installation instructions on the product page of the website.

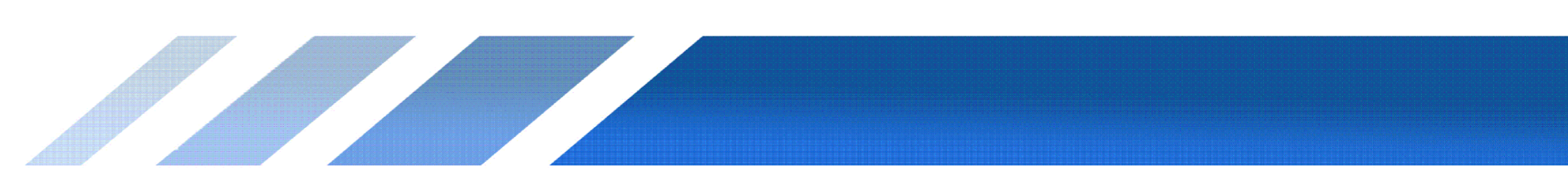


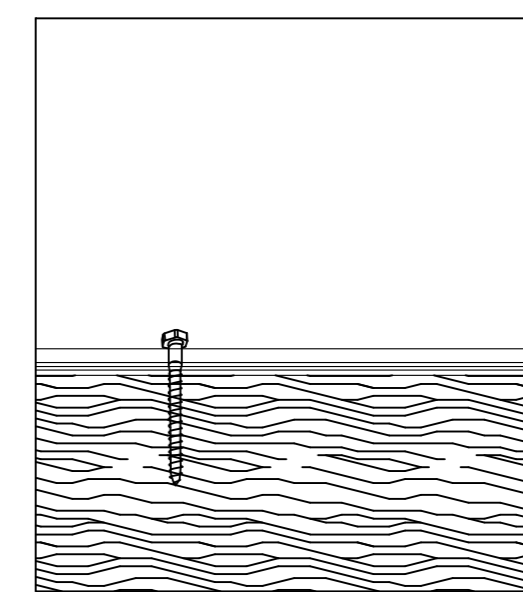
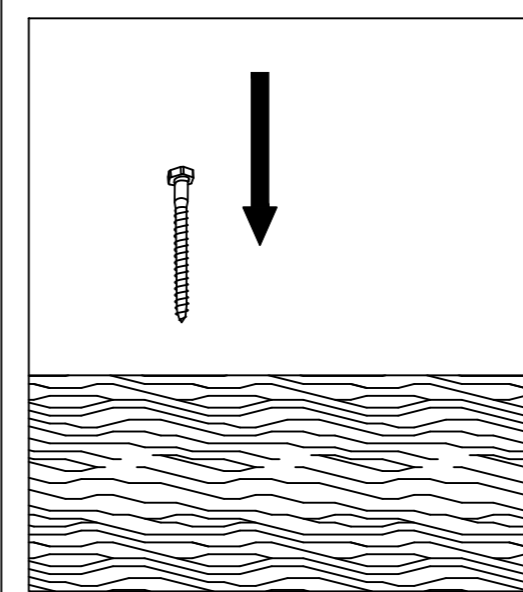
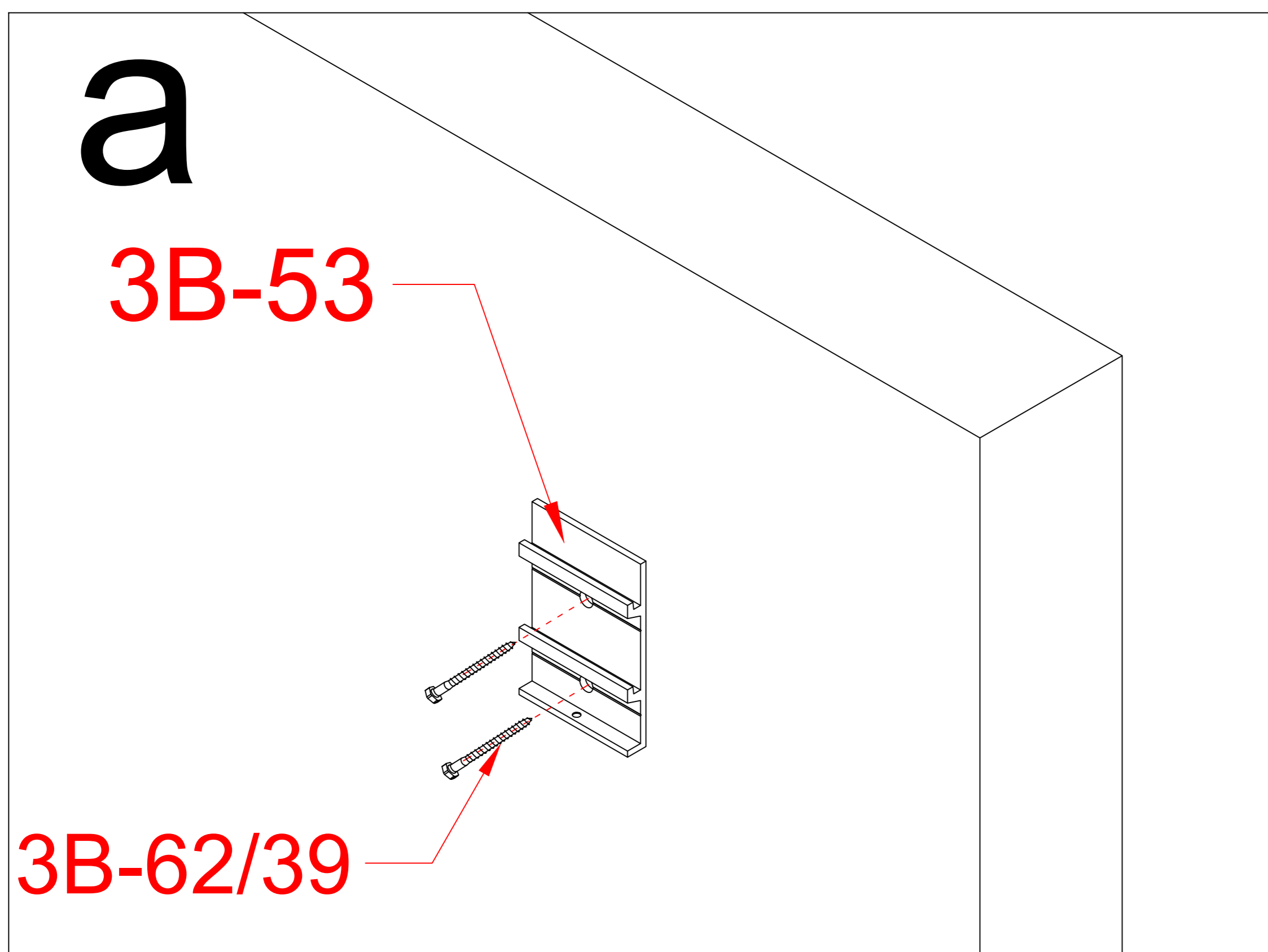
| | | |
|-------|-------------|----|
| 3B-27 | | 1 |
| 3B-46 | | 3 |
| 3B-01 | | 2 |
| 3B-13 | | 3 |
| 3B-22 | M5.5*60 | 18 |



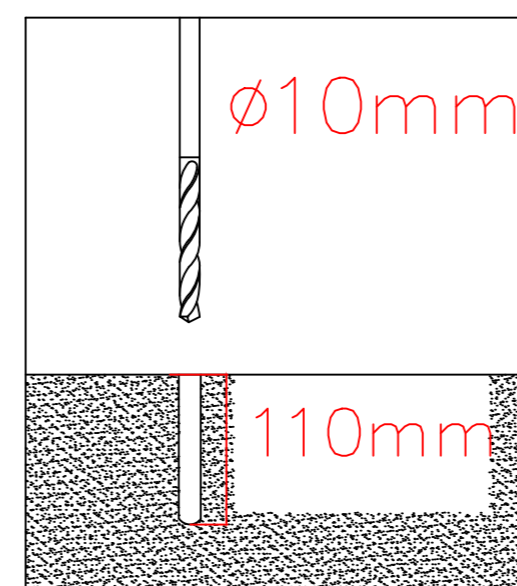


| | | |
|-------|--|---|
| 3B-04 | | 2 |
| 3B-18 | | 1 |



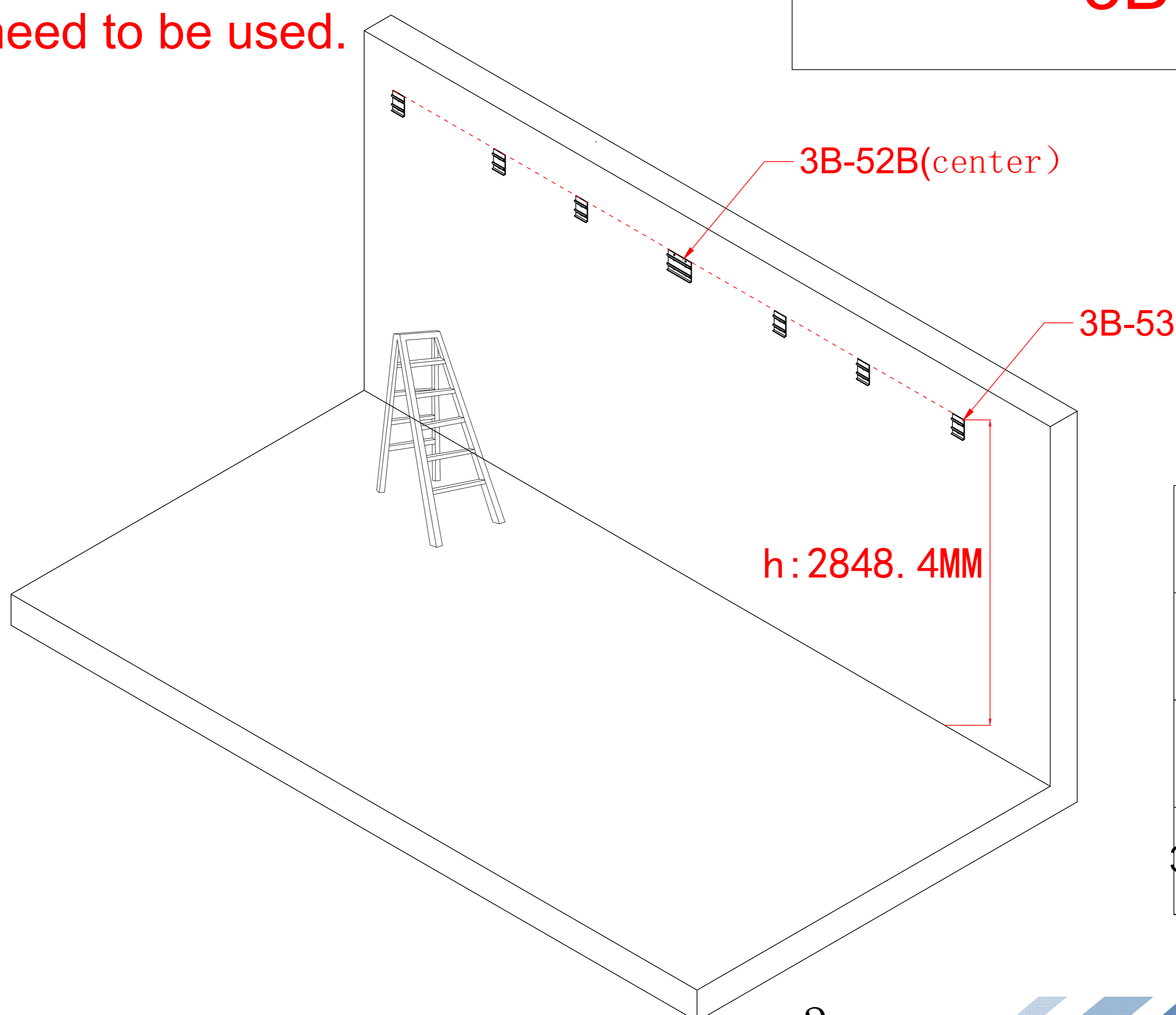
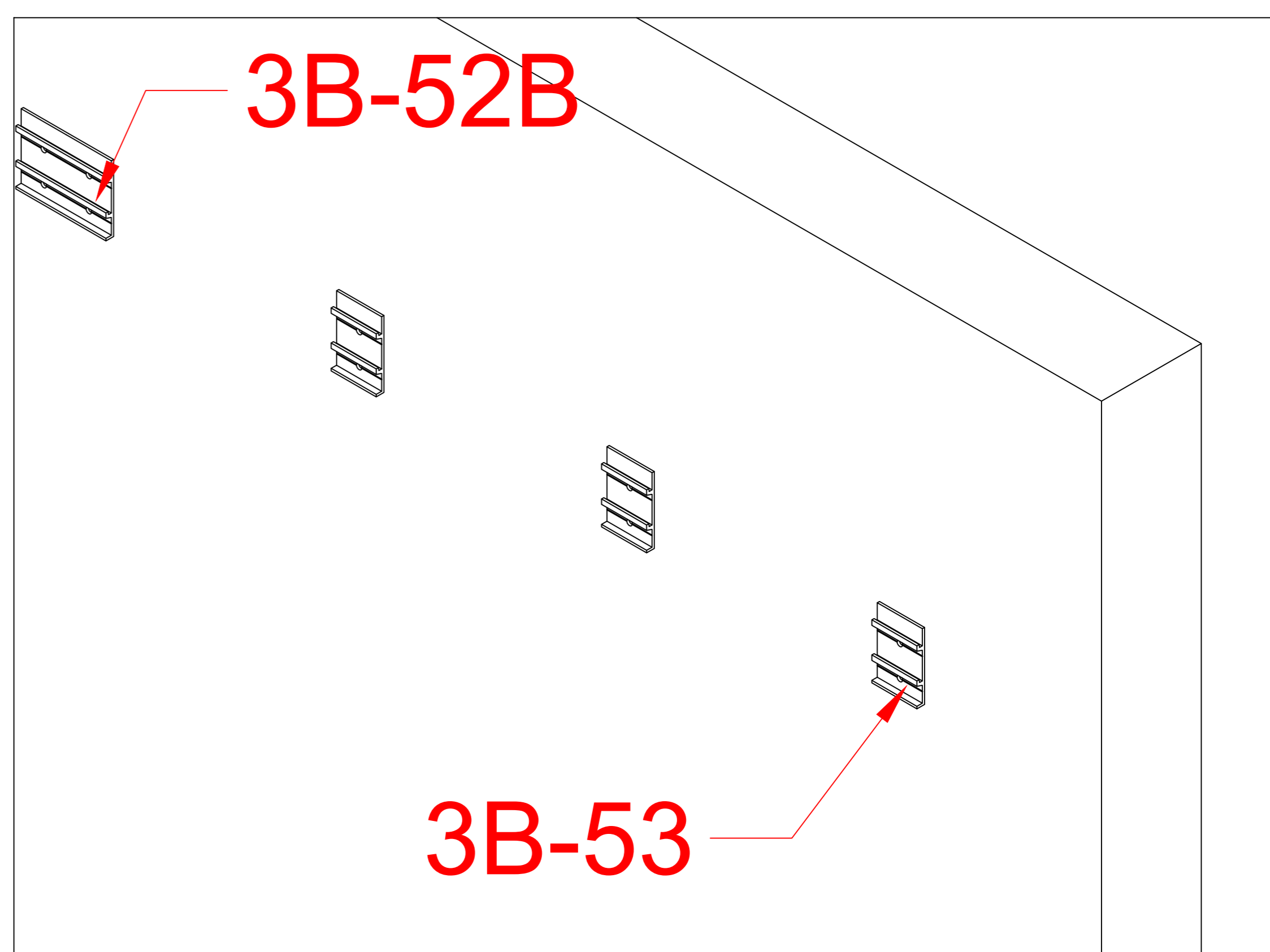


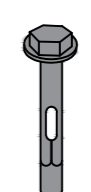
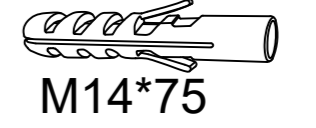
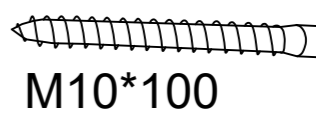
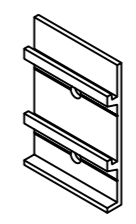
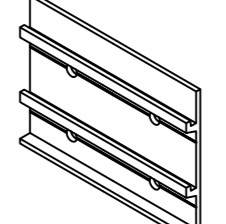
3B-39:



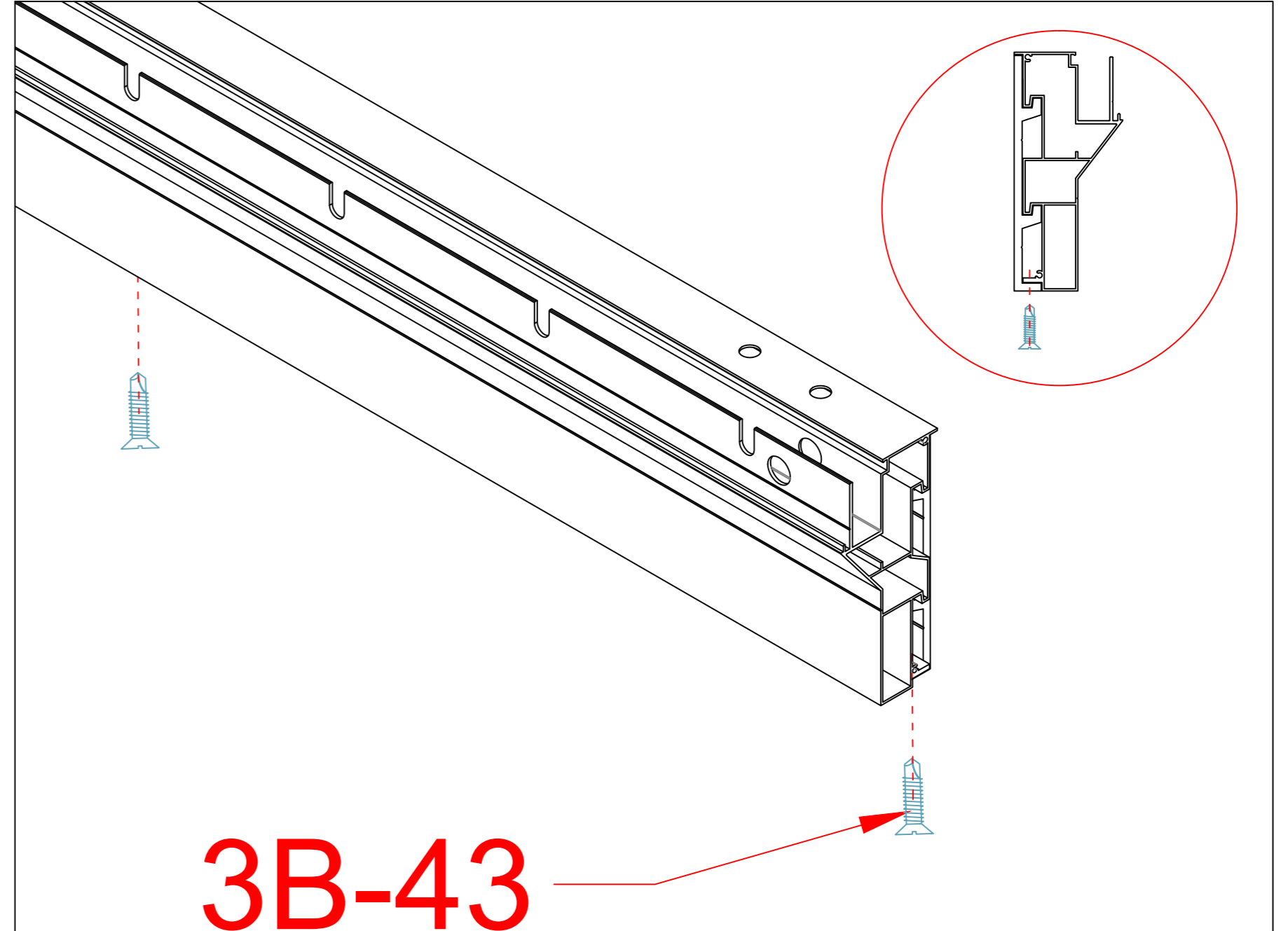
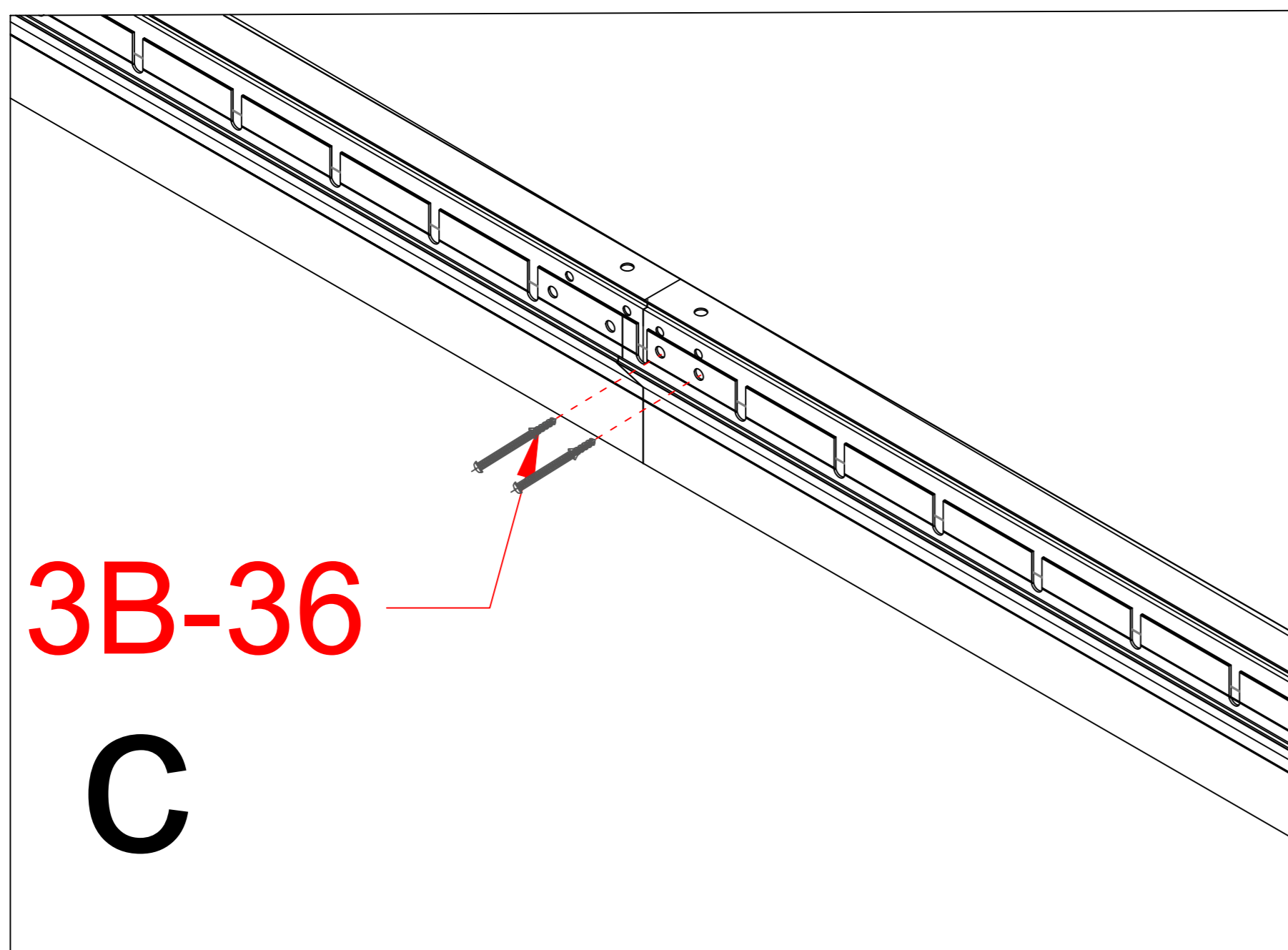
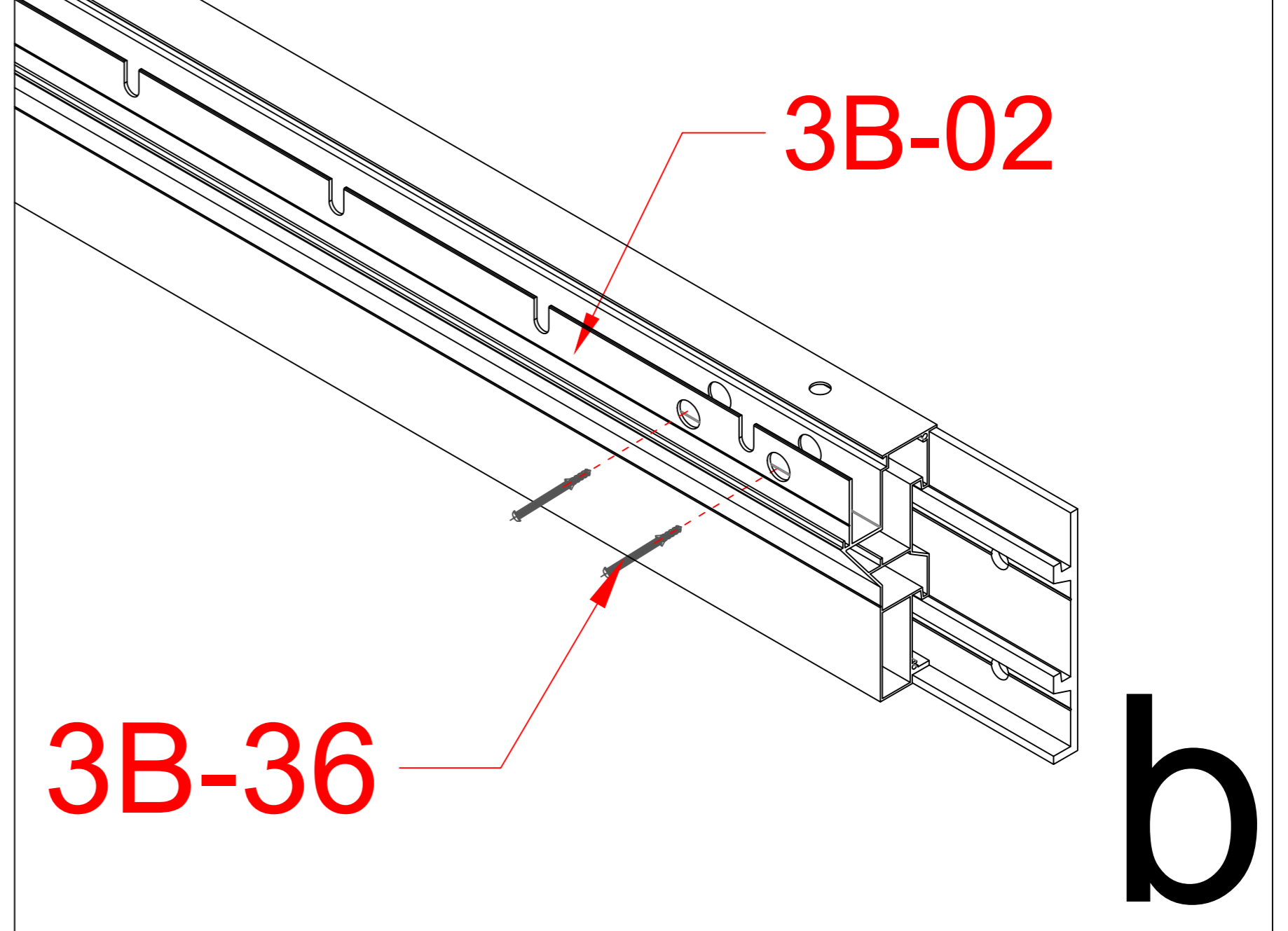
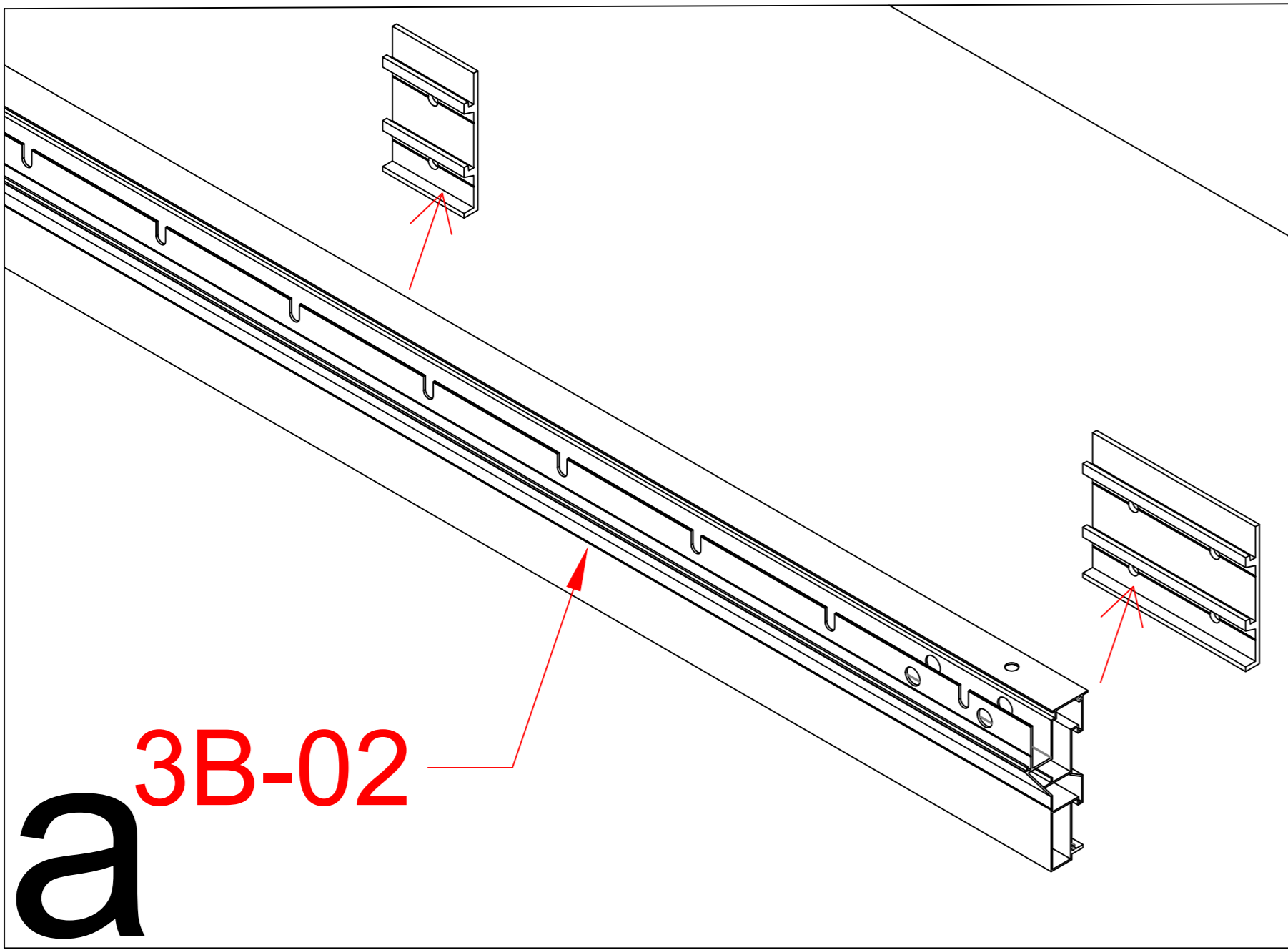
Attention:

1. Before installing here, please ensure that the wall is flat
2. If it is a wooden wall, please use 3B-62, and if it is the Cement wall, please use 3B-39
3. When installing on wooden walls, cap for expansion bolt does not need to be used.

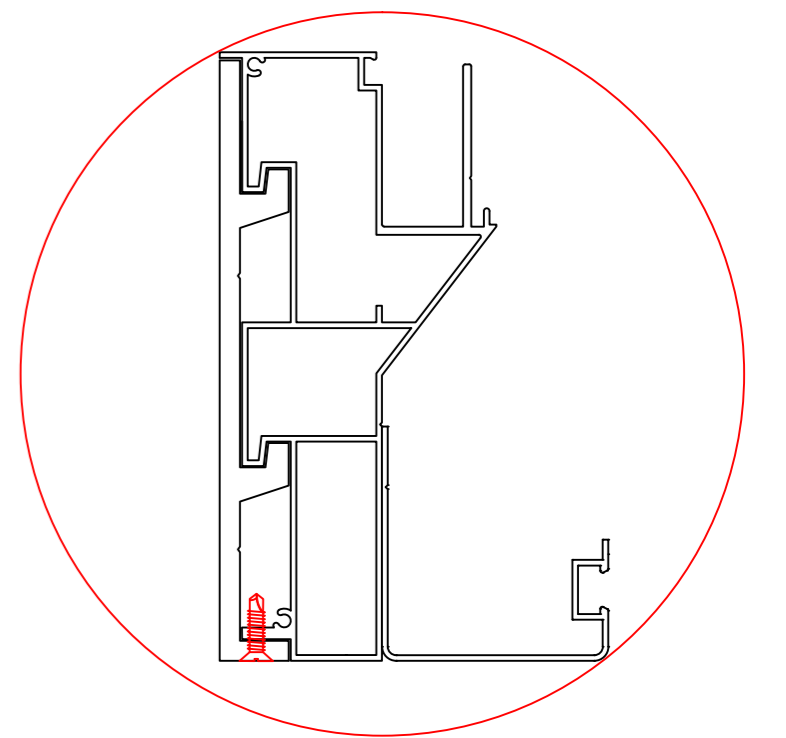
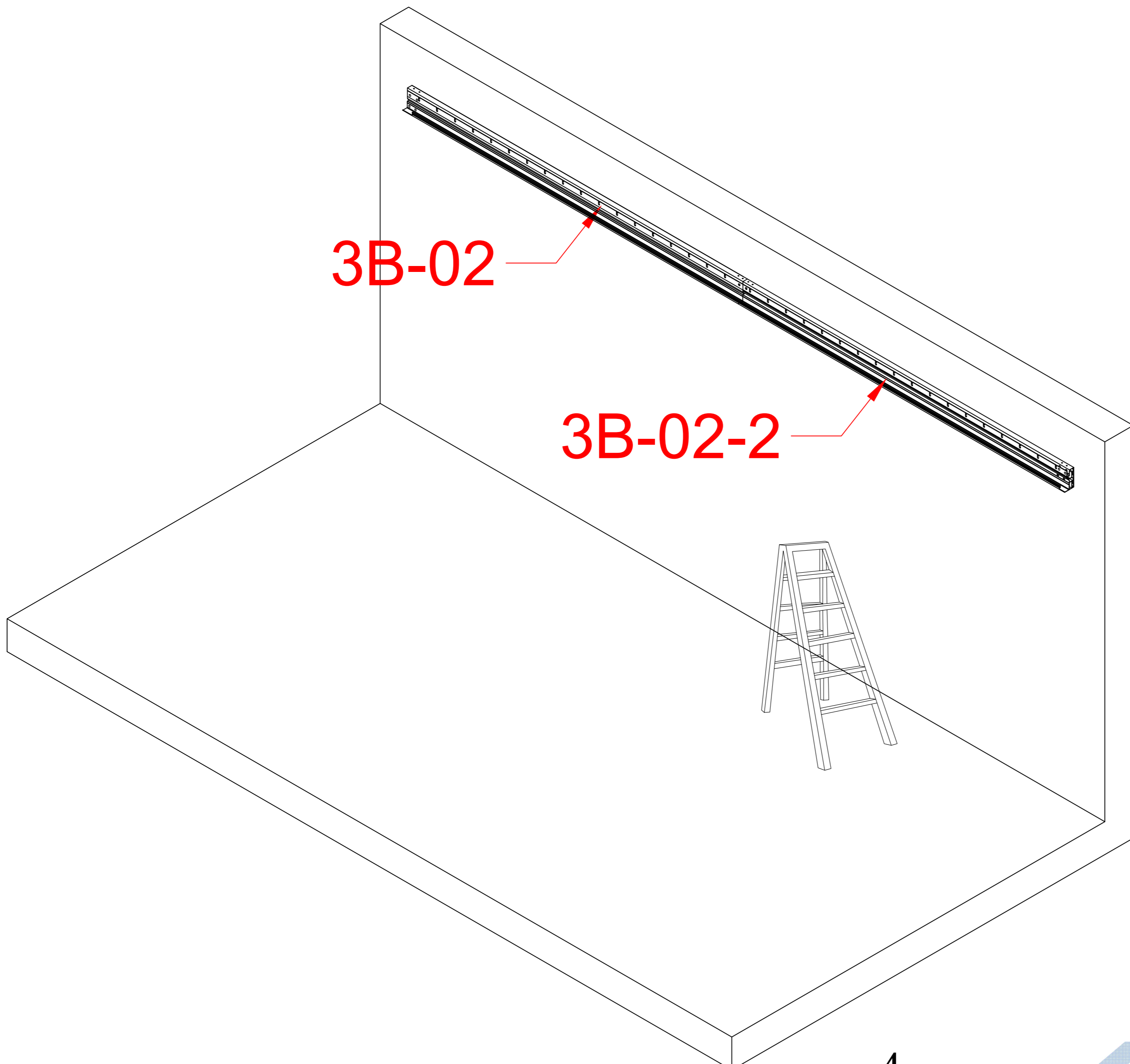


| | | |
|--------|---|----|
| 3B-39 |  M8*100 | 16 |
| 3B-62 |  M14*75  M10*100 | 16 |
| 3B-53 |  | 4 |
| 3B-52B |  | 1 |

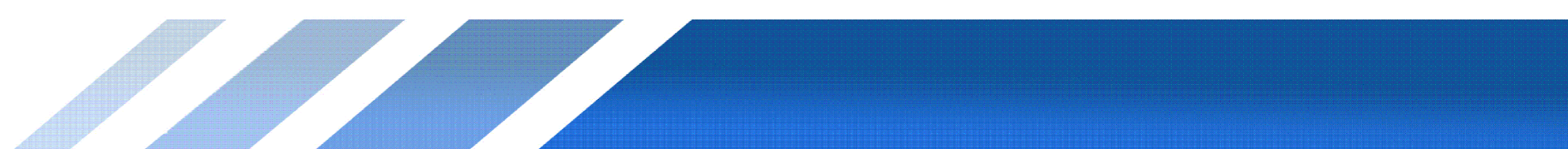


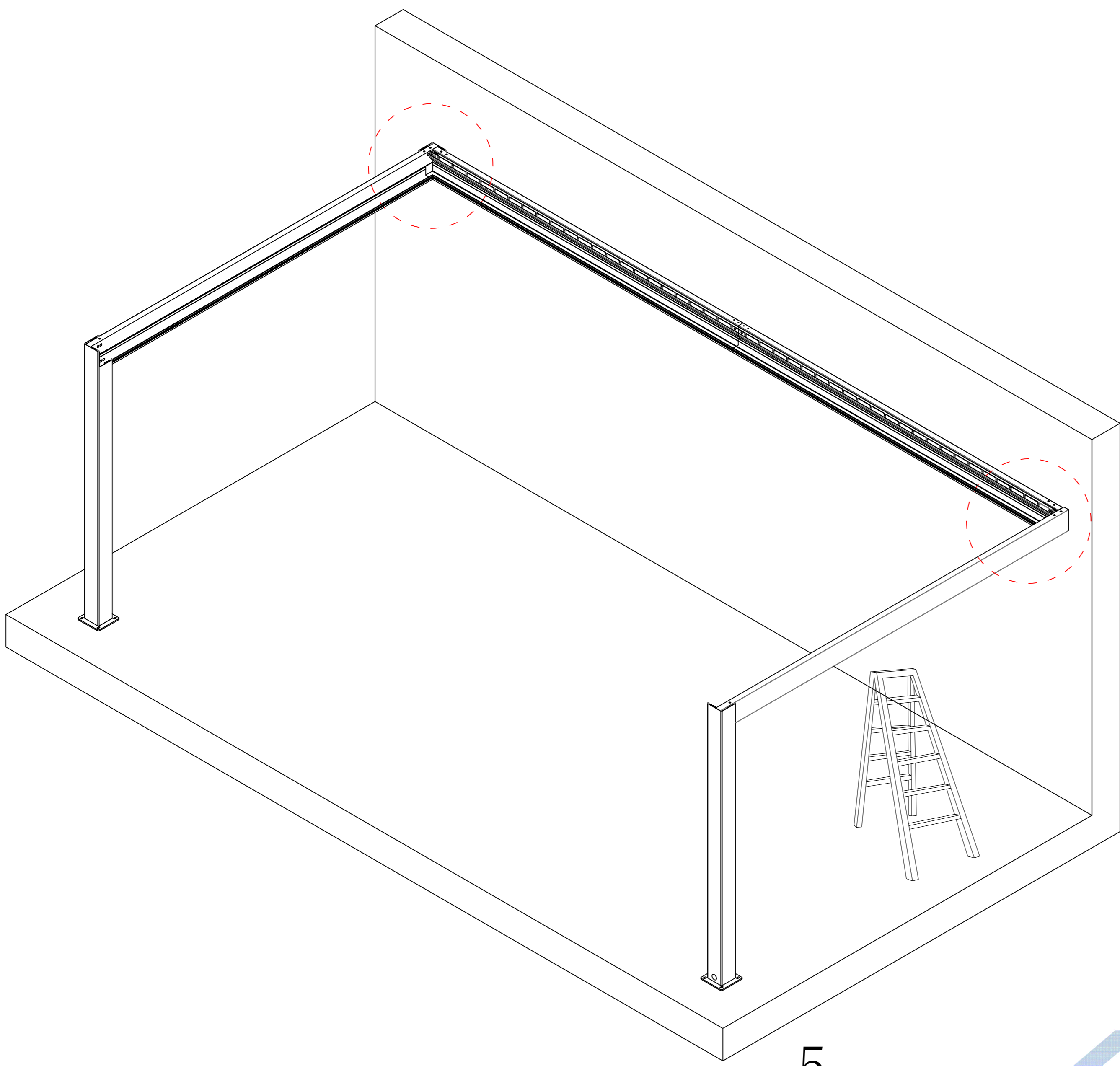
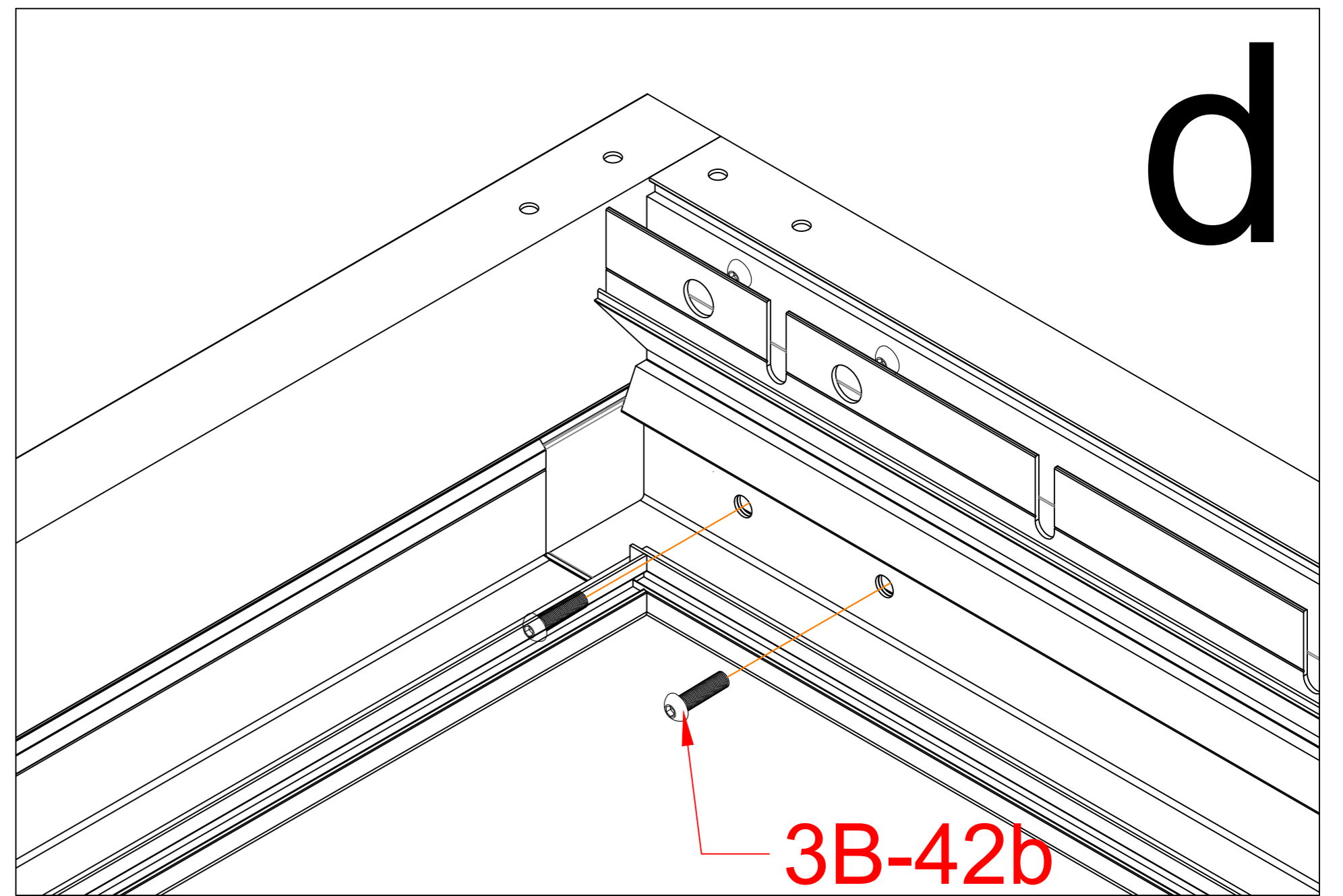
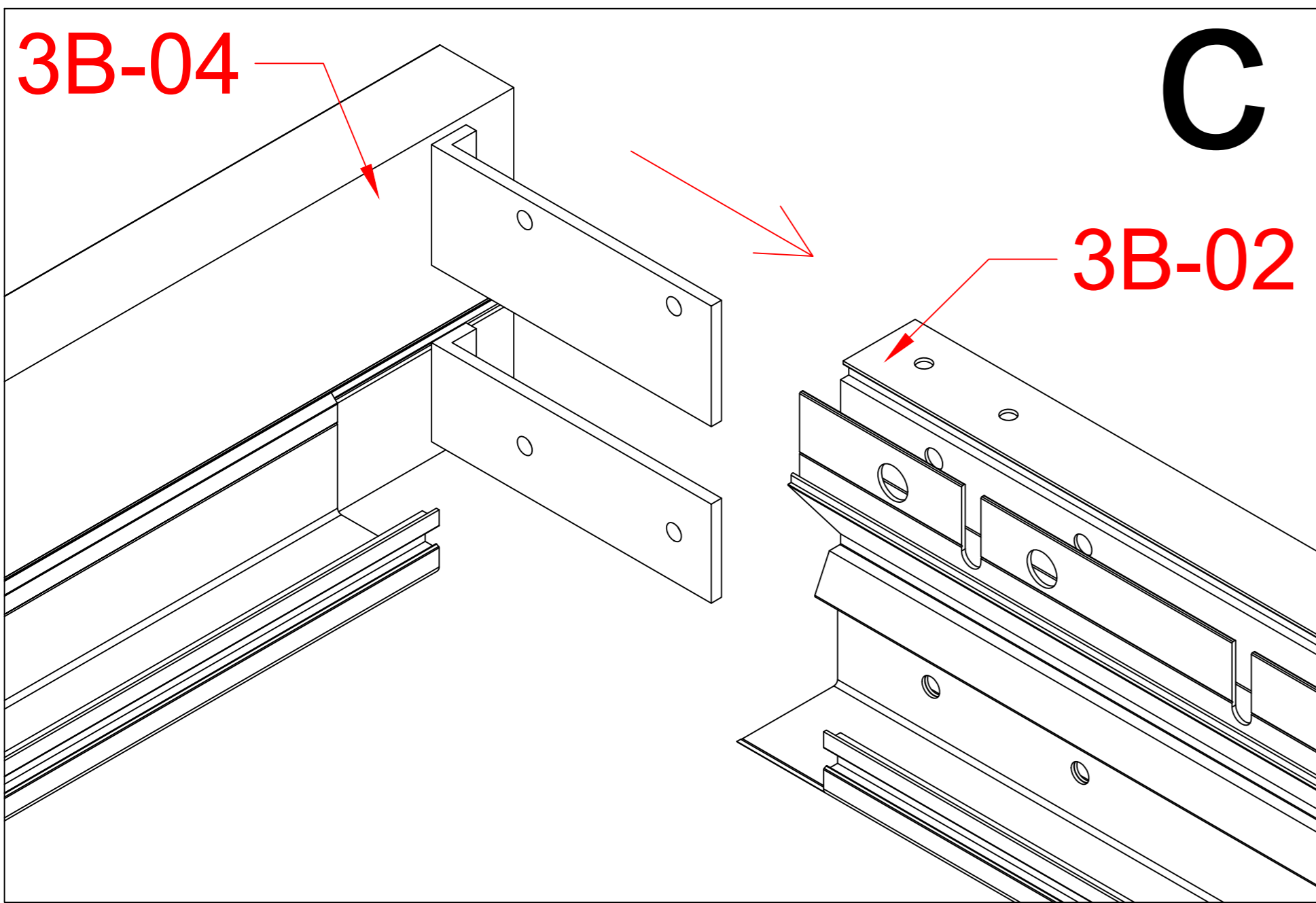
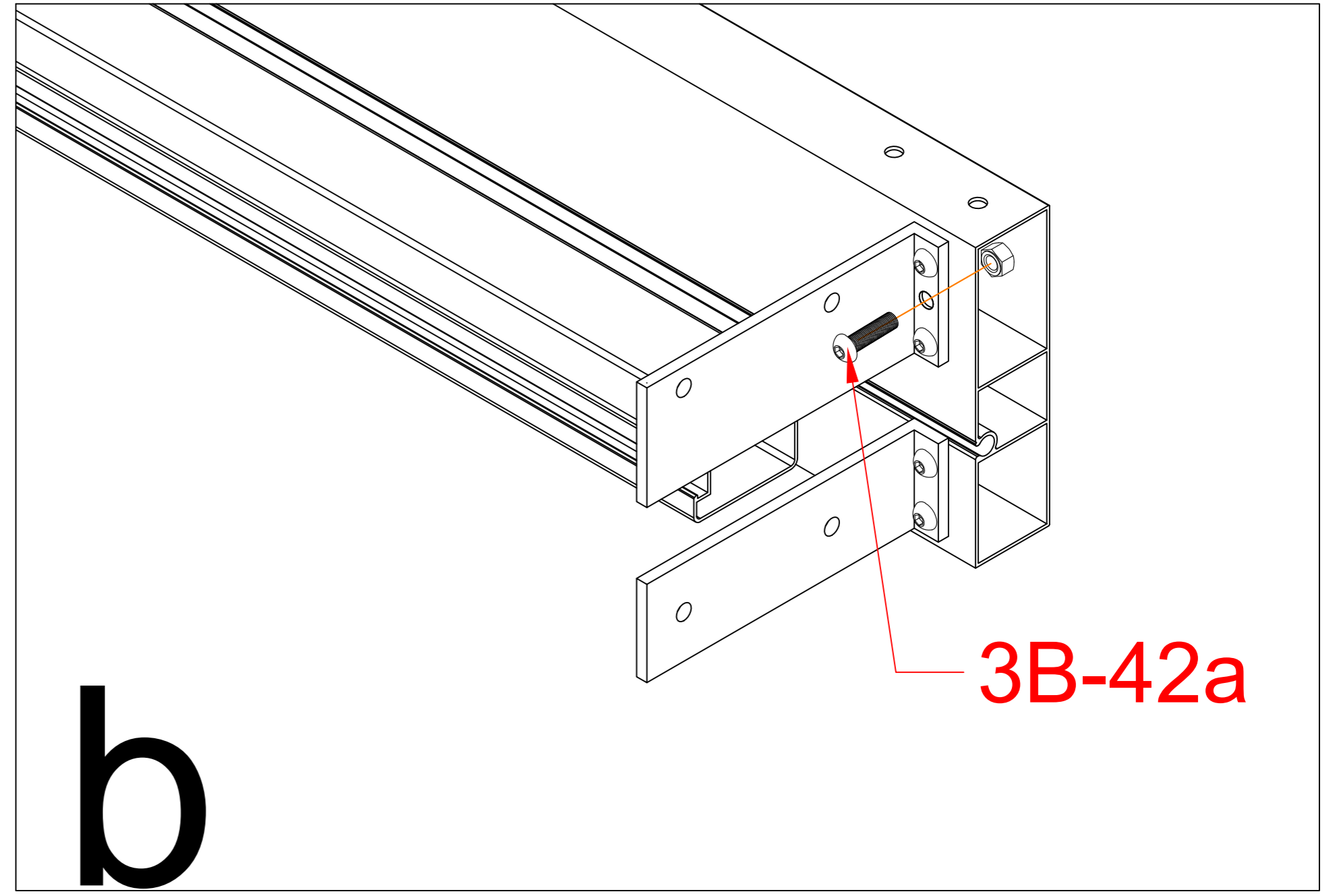
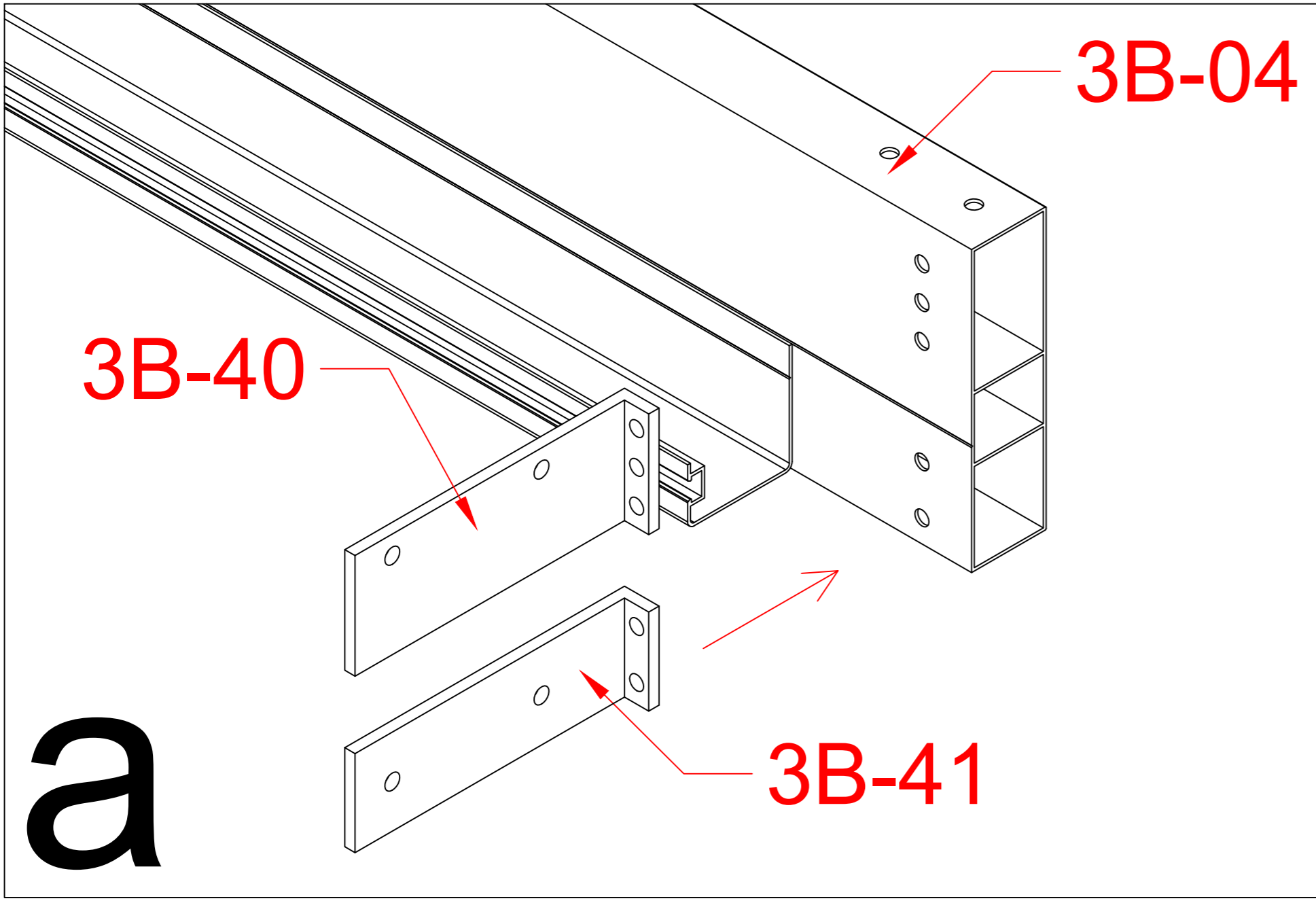


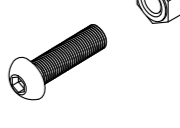
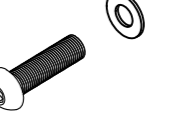
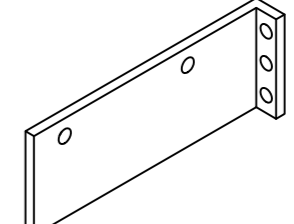
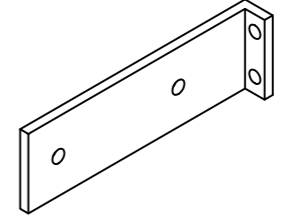
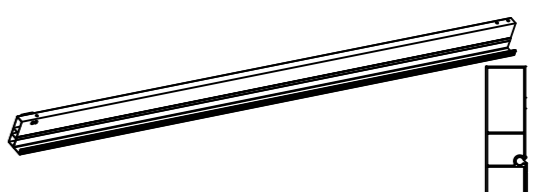
If your wooden wall does not have a wooden frame here, please use Wood screen-2: M8 * 20

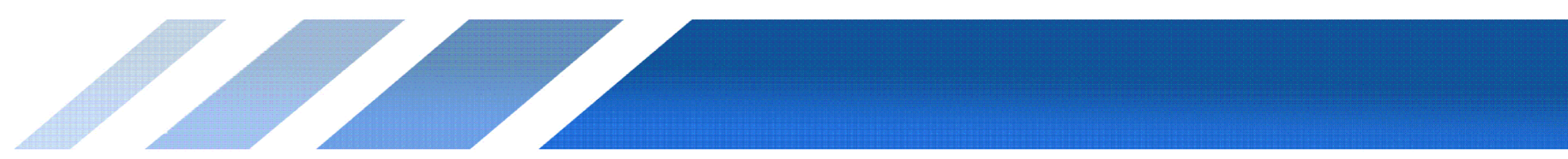


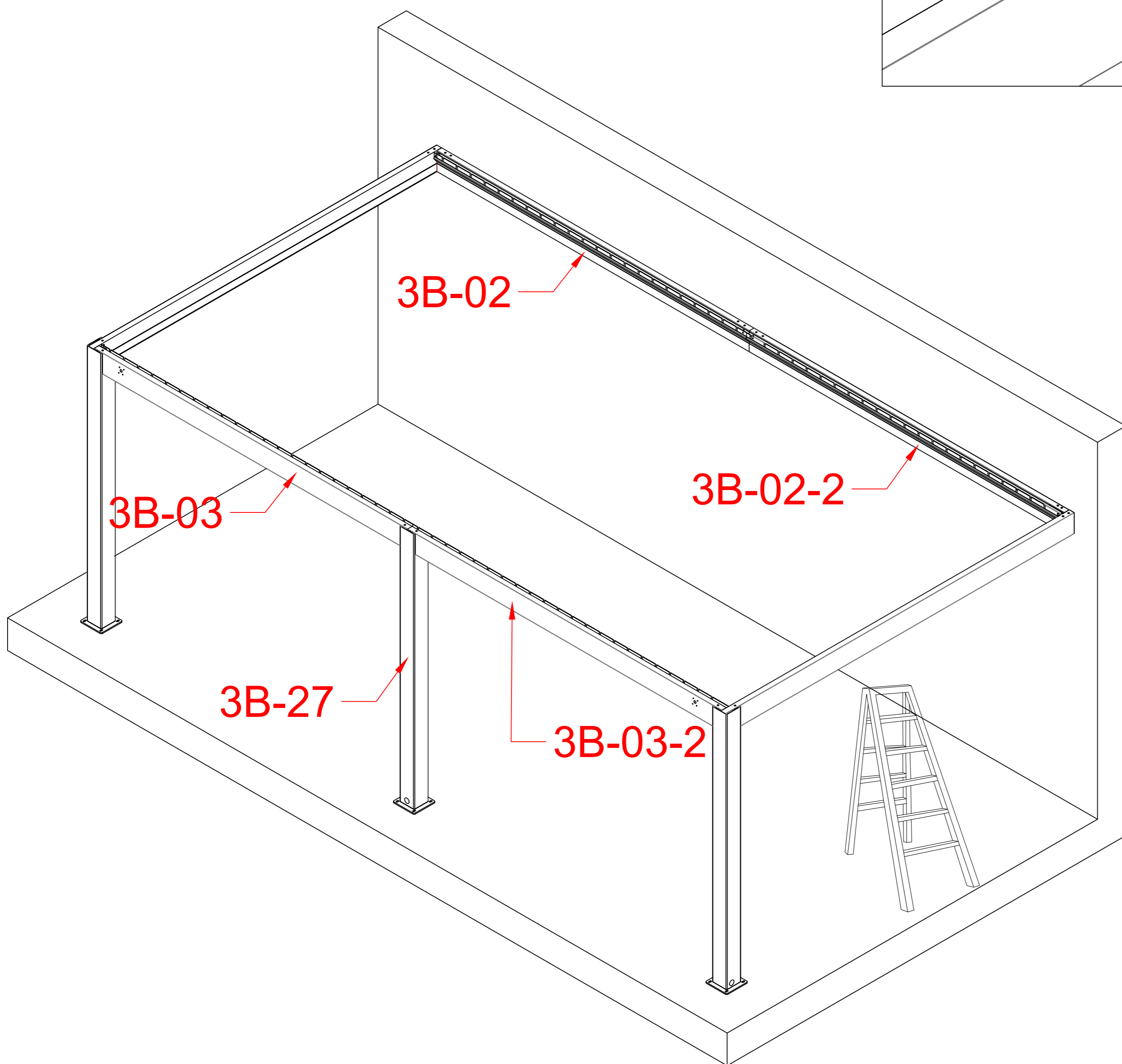
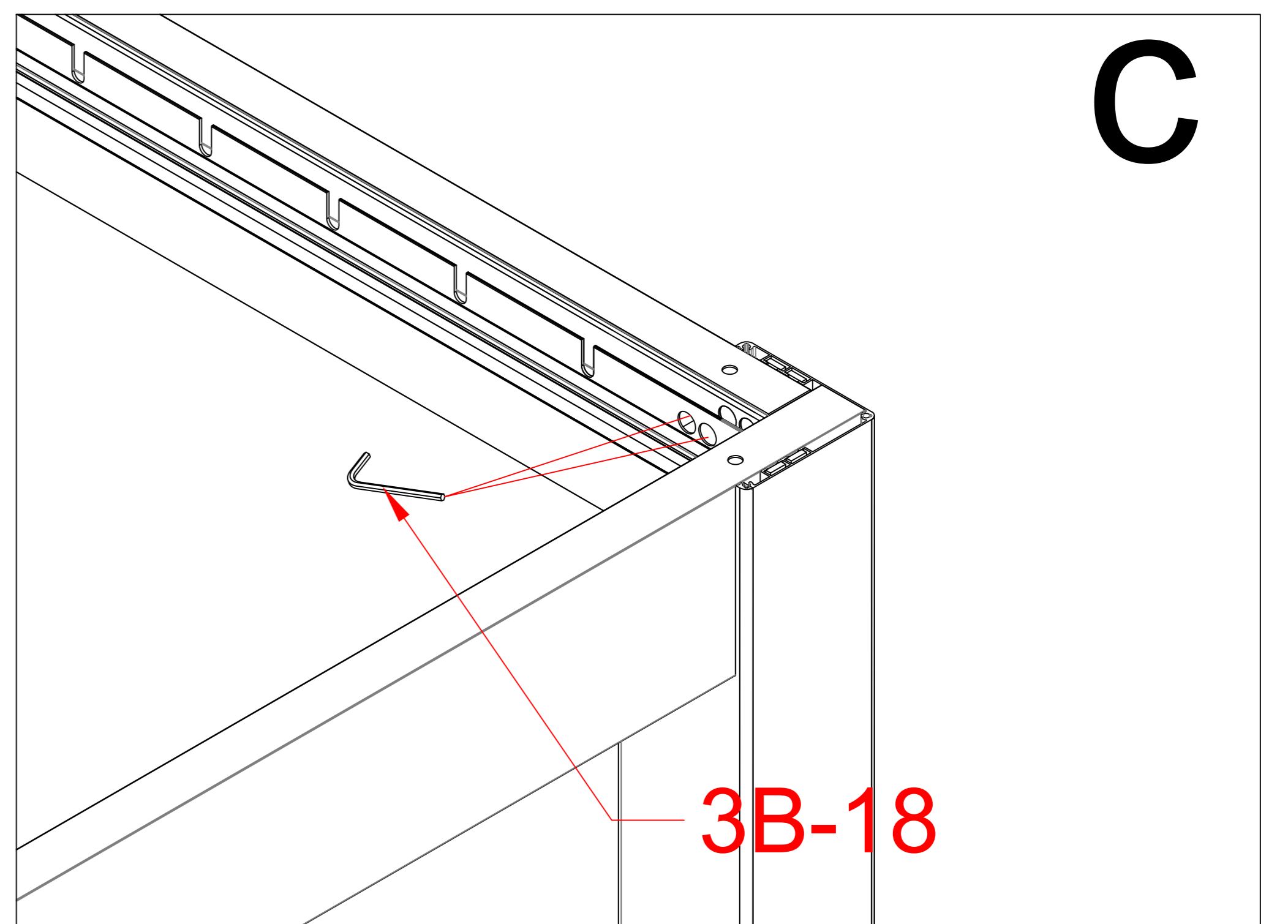
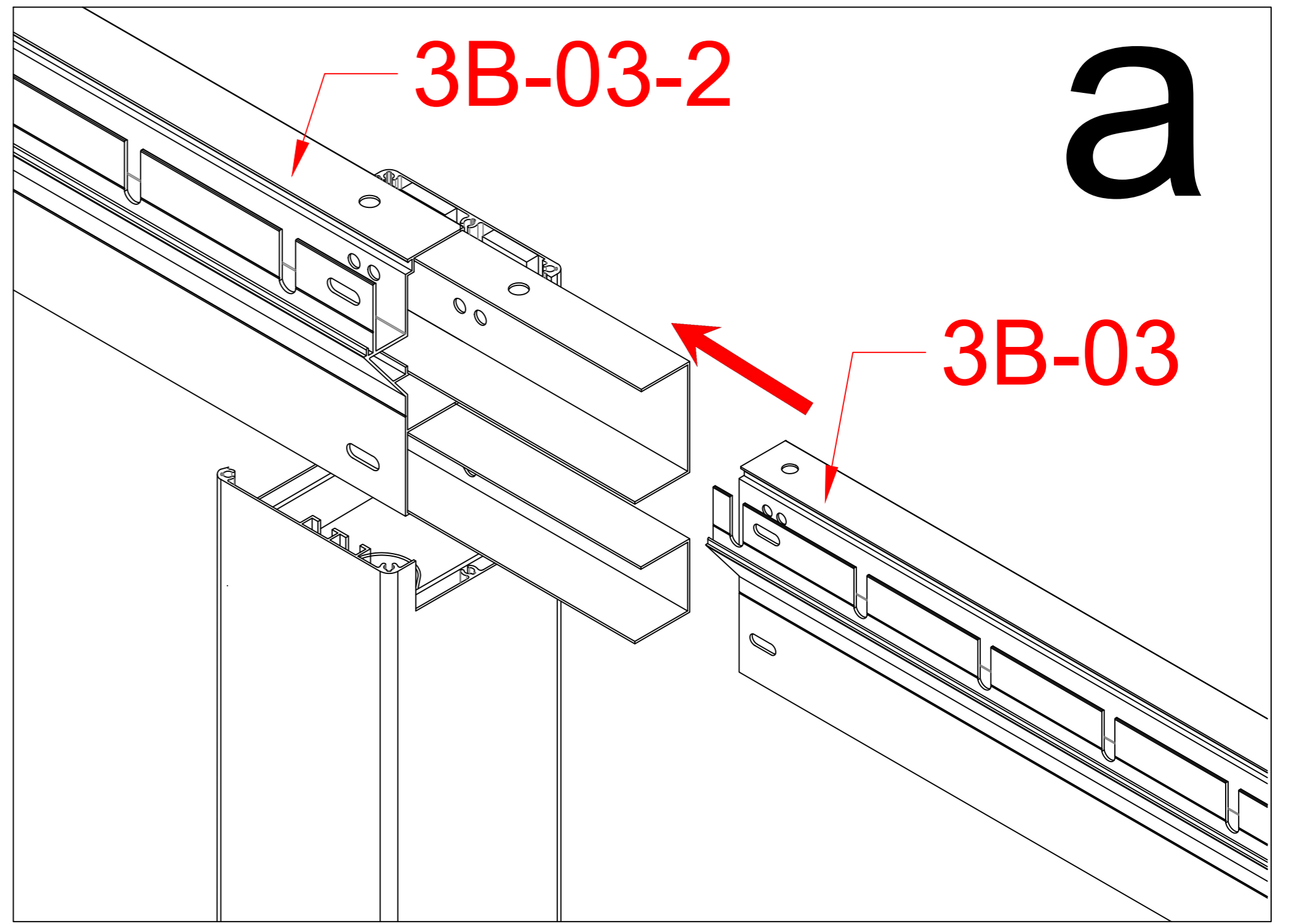
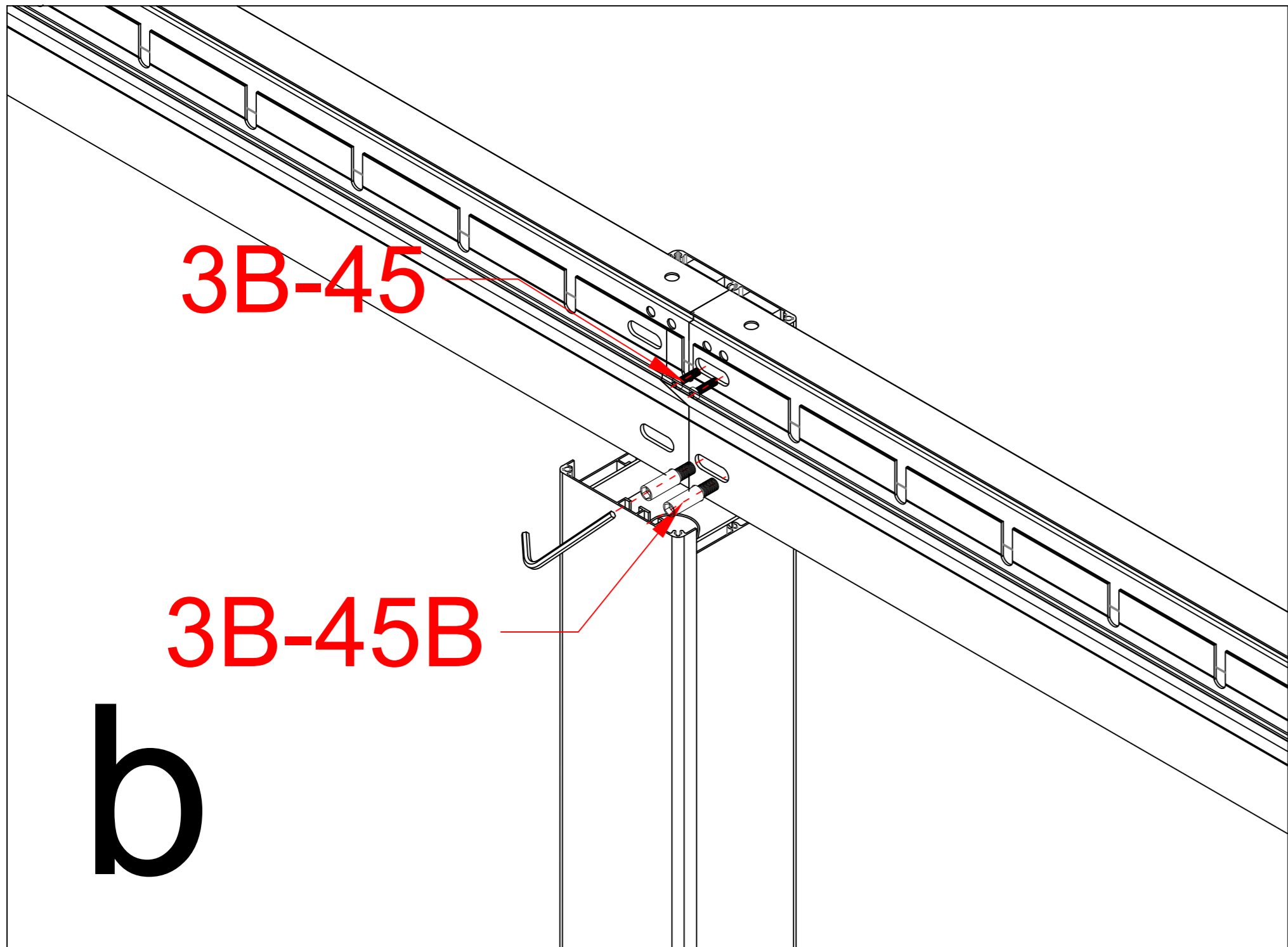
| | Cement wall screw | Wood screw-1 | Wood screw-2 | |
|---------|-------------------|--------------|---------------------------------|---|
| 3B-36 | M8*80 | M8*60 | M8*20 Additional accessories | 4 |
| 3B-02 | | | | 1 |
| 3B-02-2 | | | | 1 |
| 3B-54 | M4.2*25 | | | 9 |

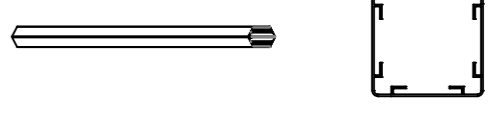
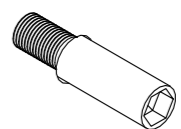
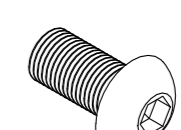
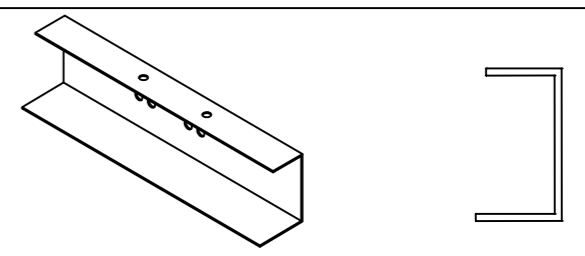
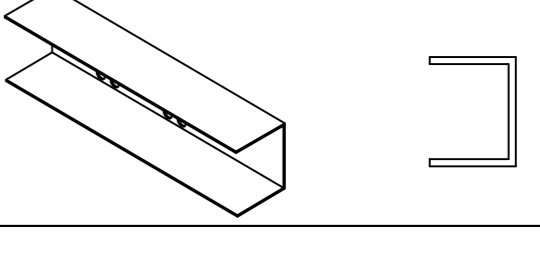
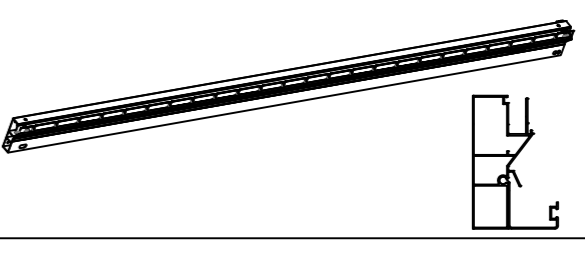
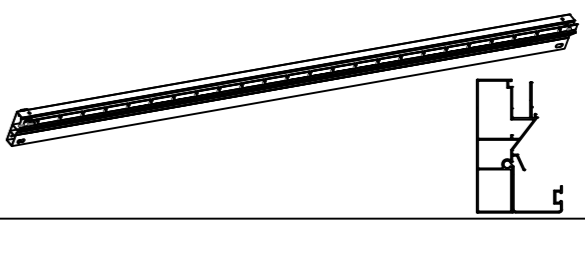



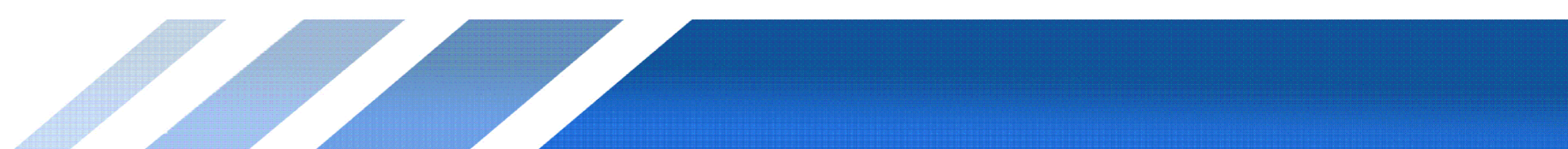


| | | |
|--------|--|----|
| 3B-42a |  M6*16 | 10 |
| 3B-42b |  M6*16 P | 8 |
| 3B-40 |  | 2 |
| 3B-41 |  | 2 |
| 3B-04 |  | 2 |





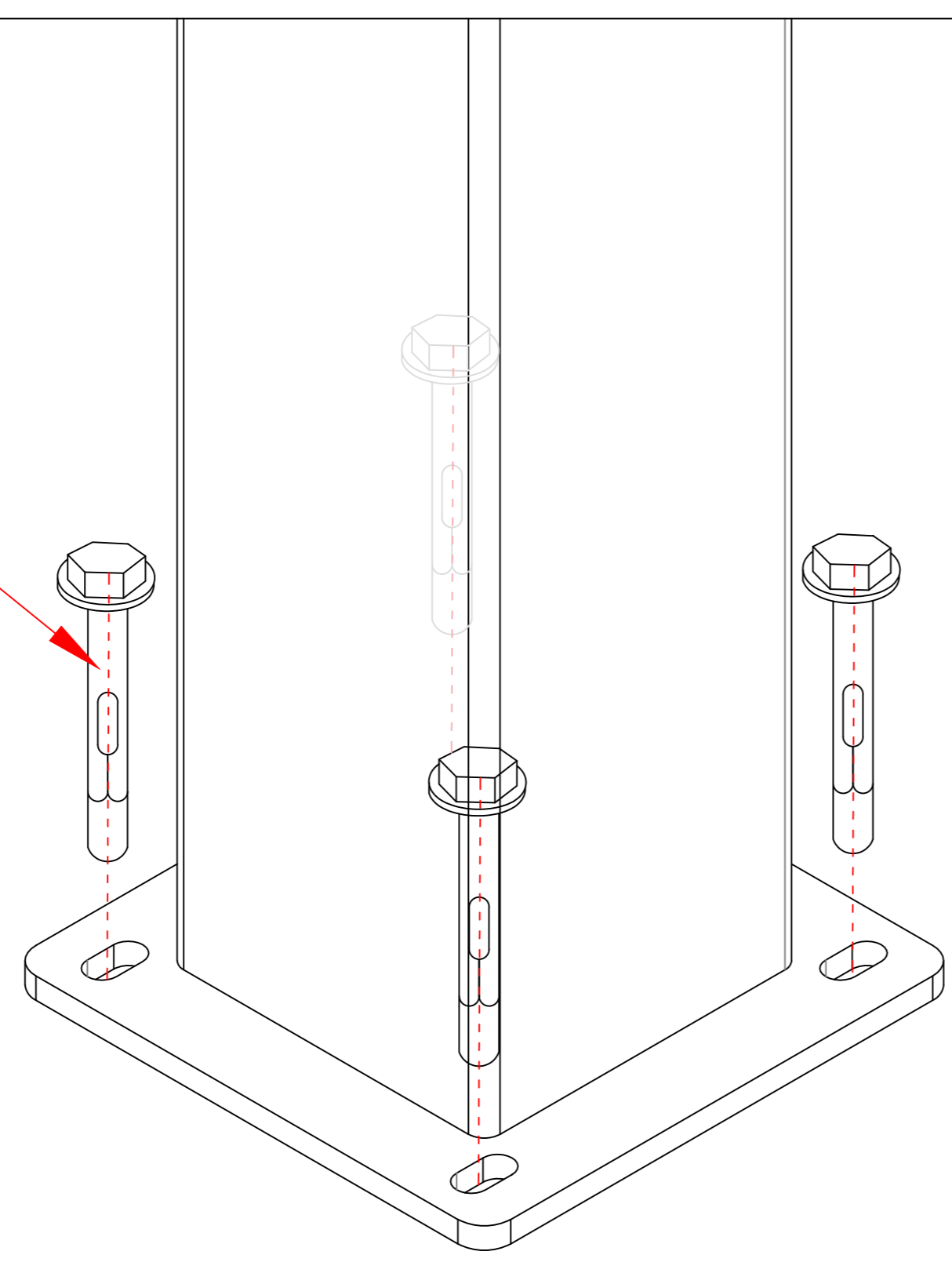
| | | |
|---------|--|---|
| 3B-27 |  | 1 |
| 3B-45B |  | 4 |
| 3B-45 |  M8*10 | 4 |
| 3B-32 |  | 1 |
| 3B-33 |  | 1 |
| 3B-03 |  | 1 |
| 3B-03-2 |  | 1 |
| 3B-18 |  | 1 |



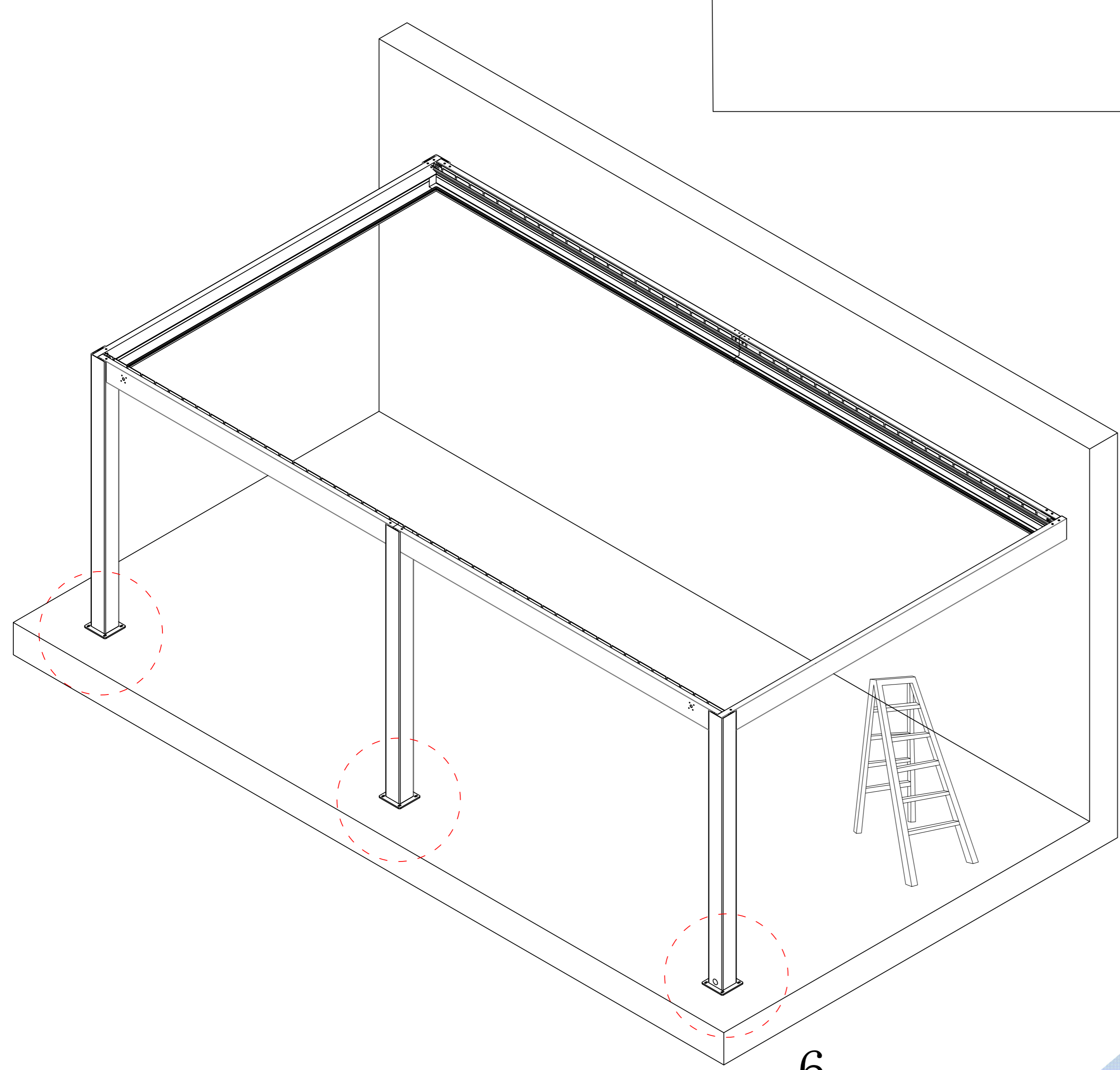
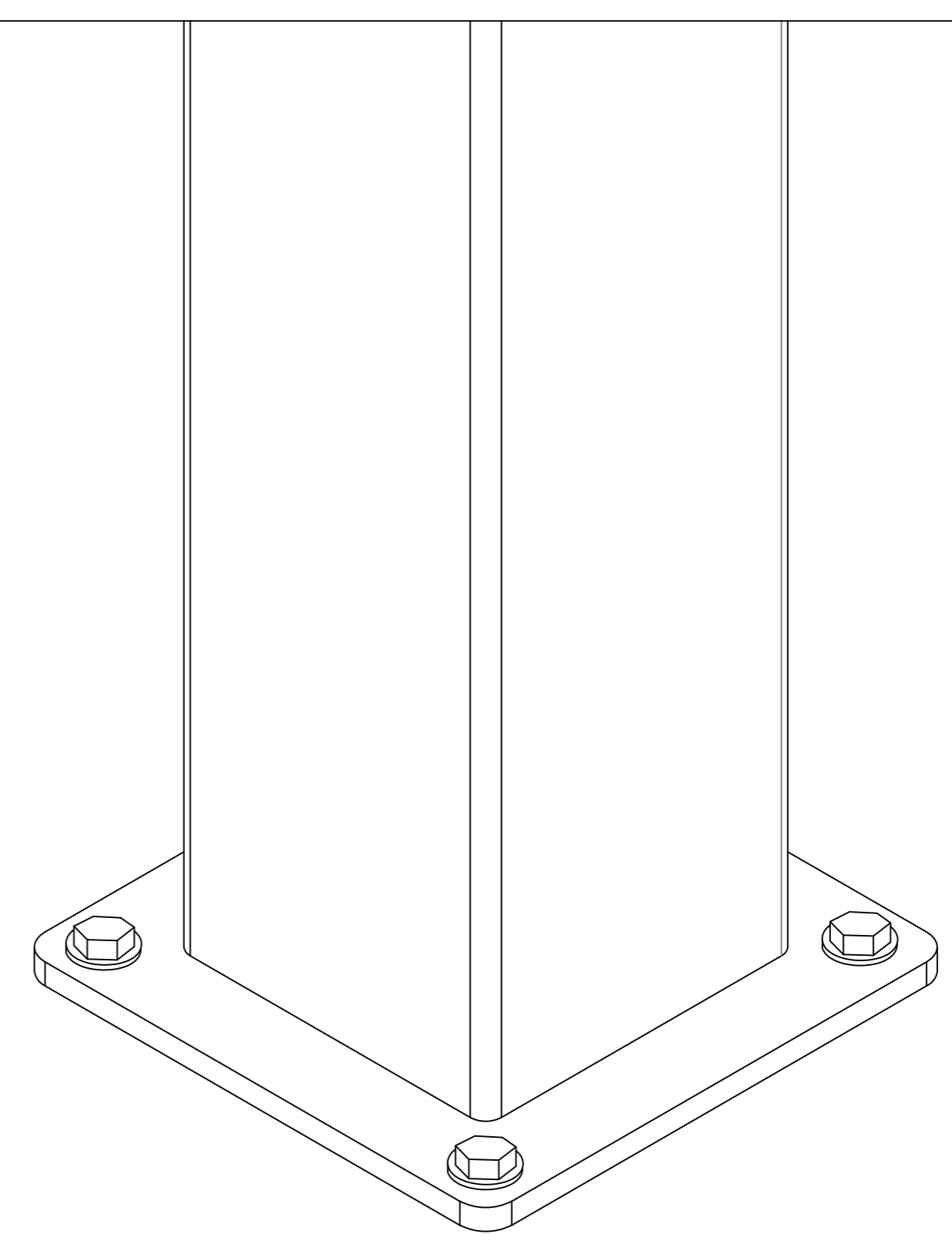


a

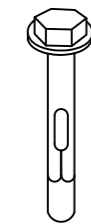
3B-21

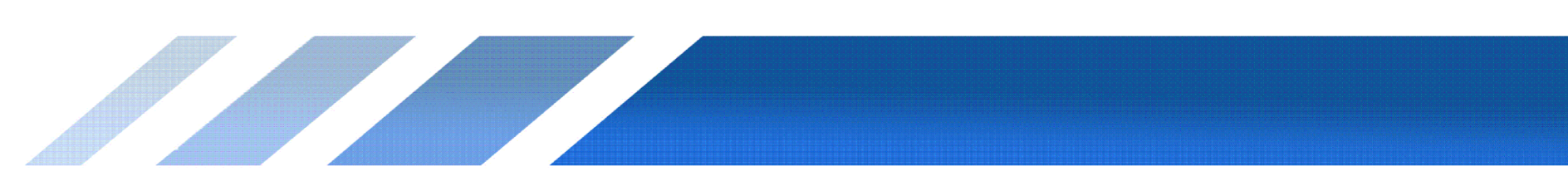


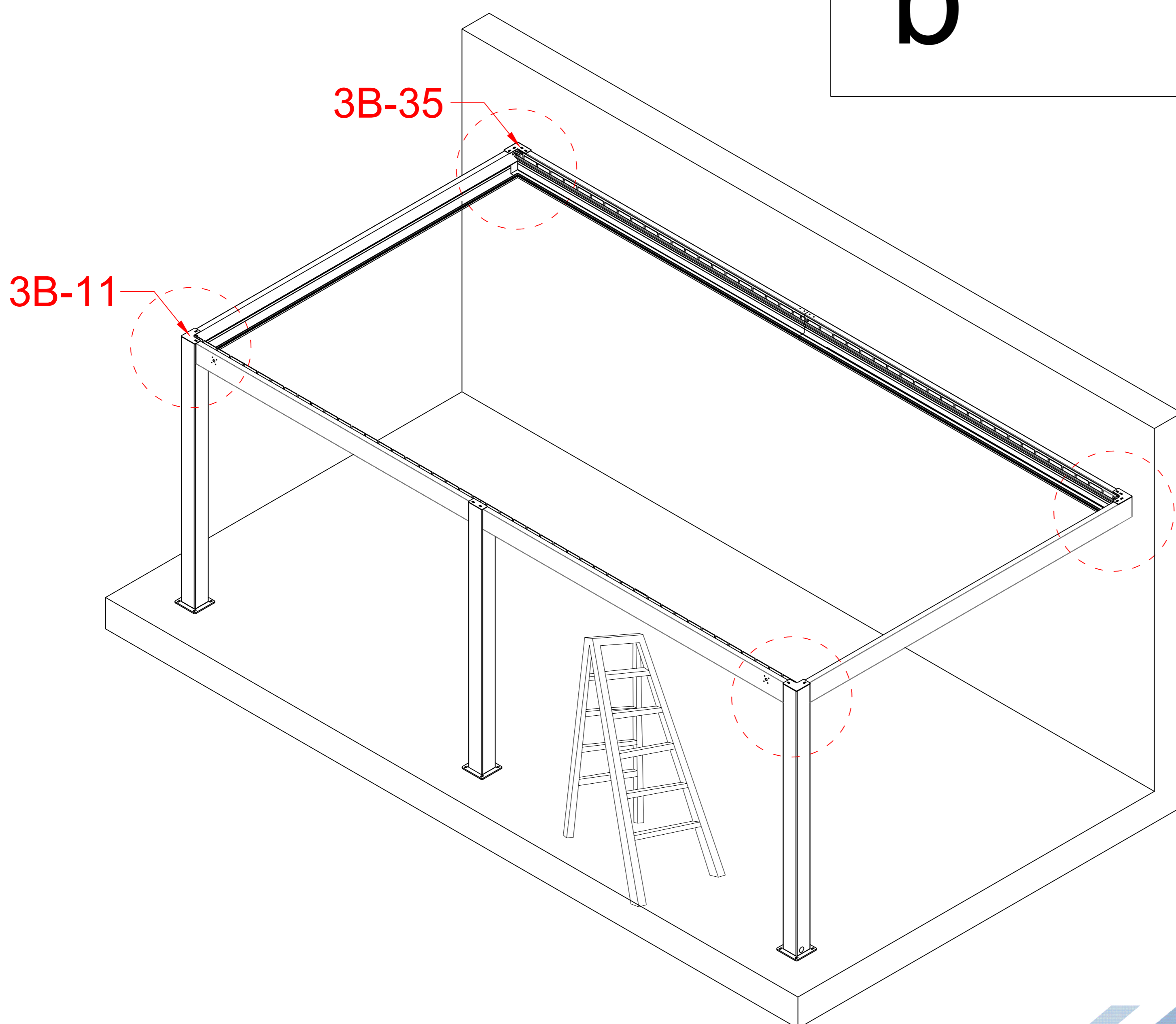
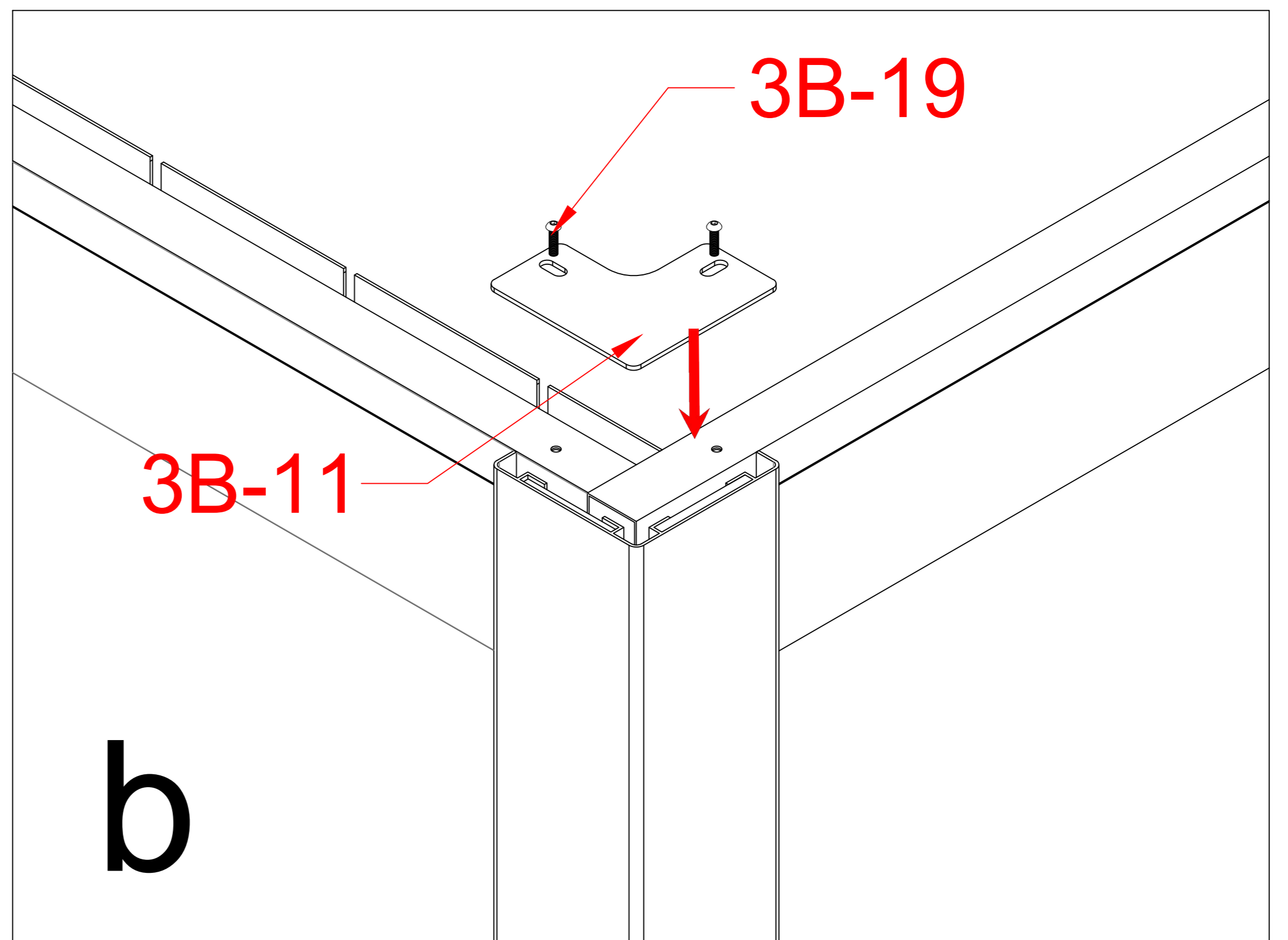
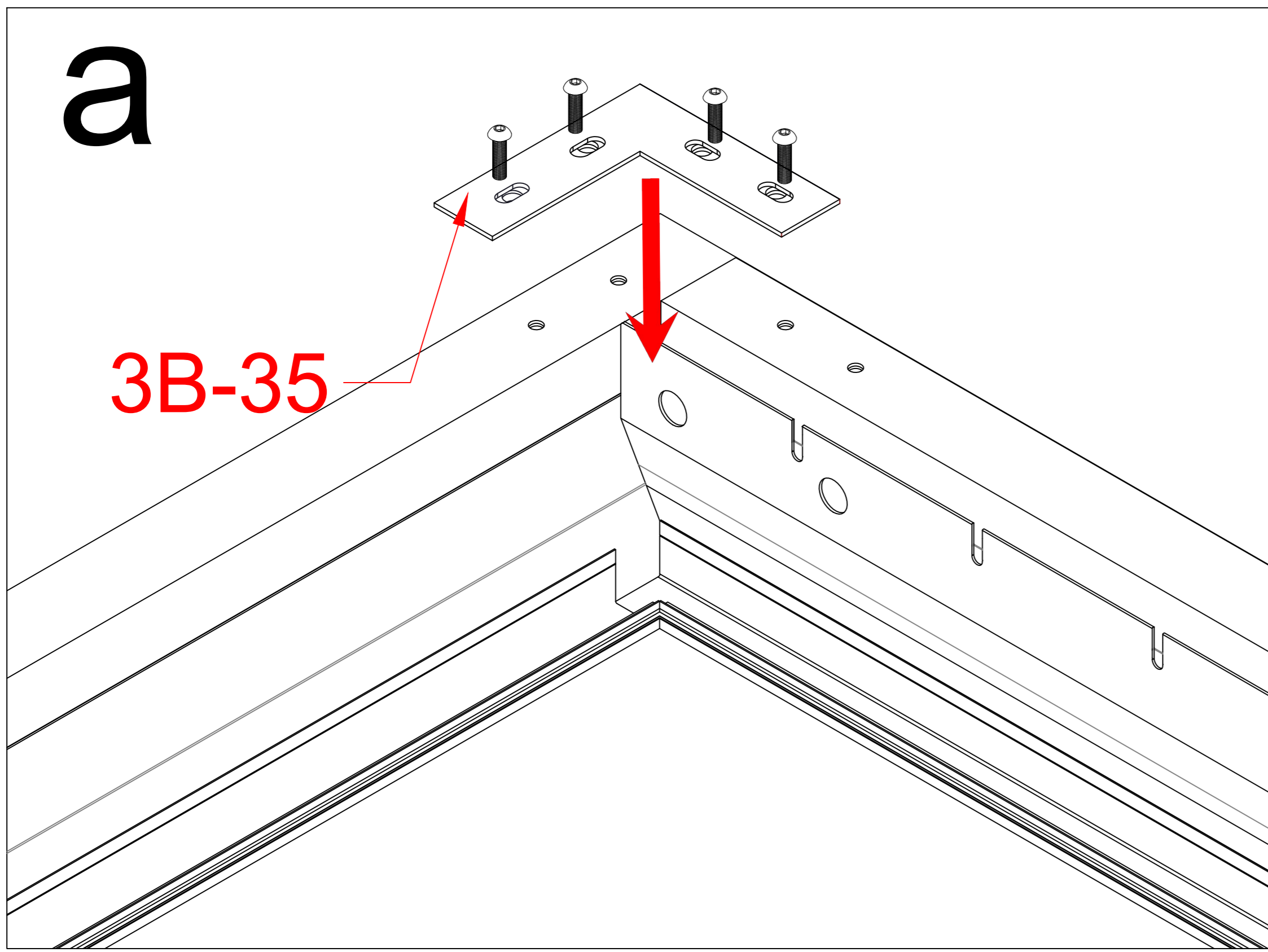
b



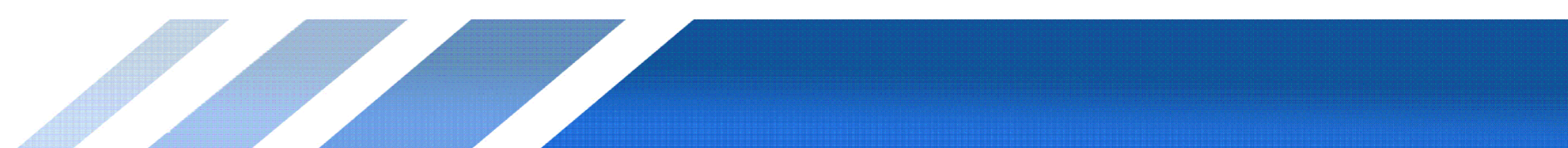
6

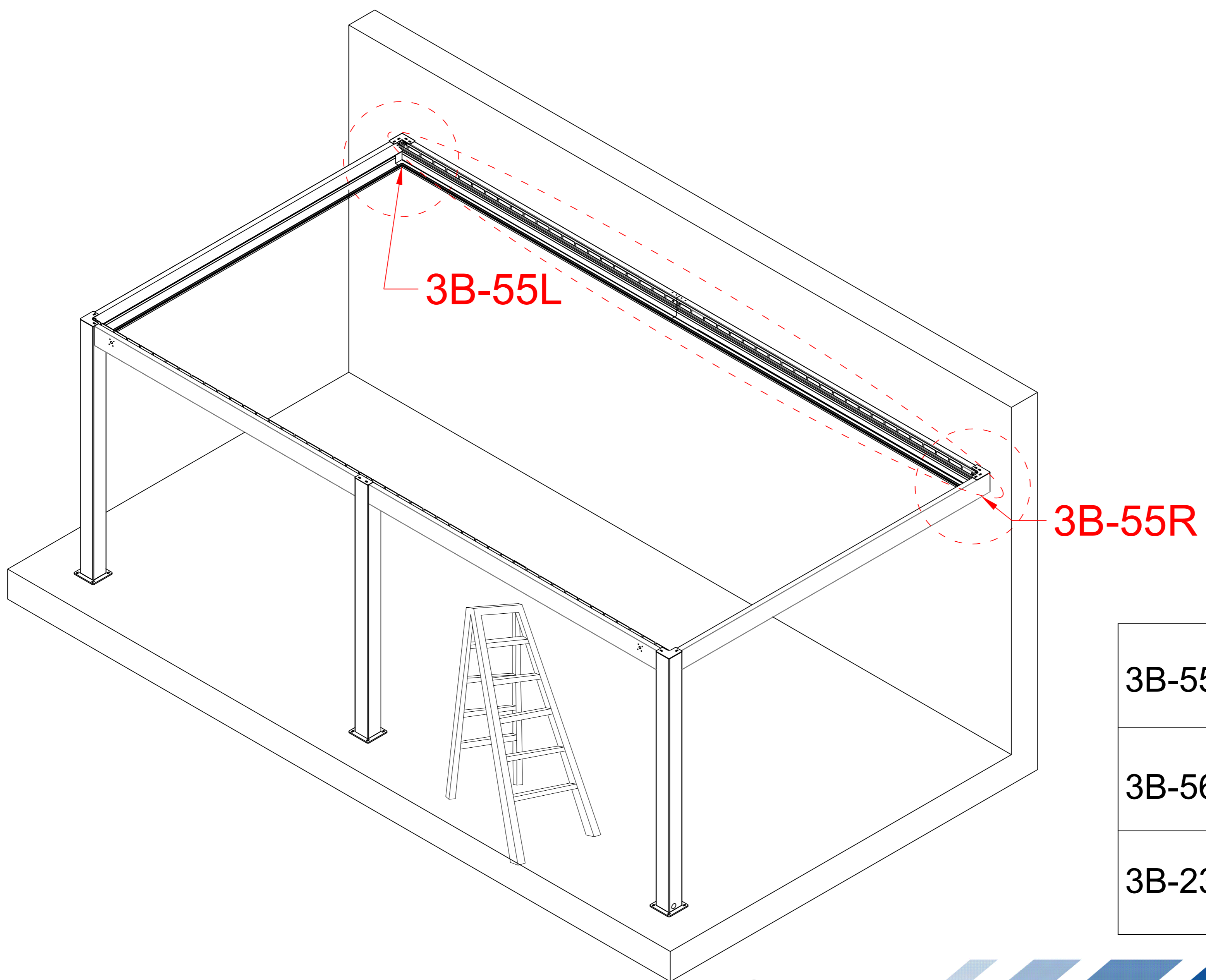
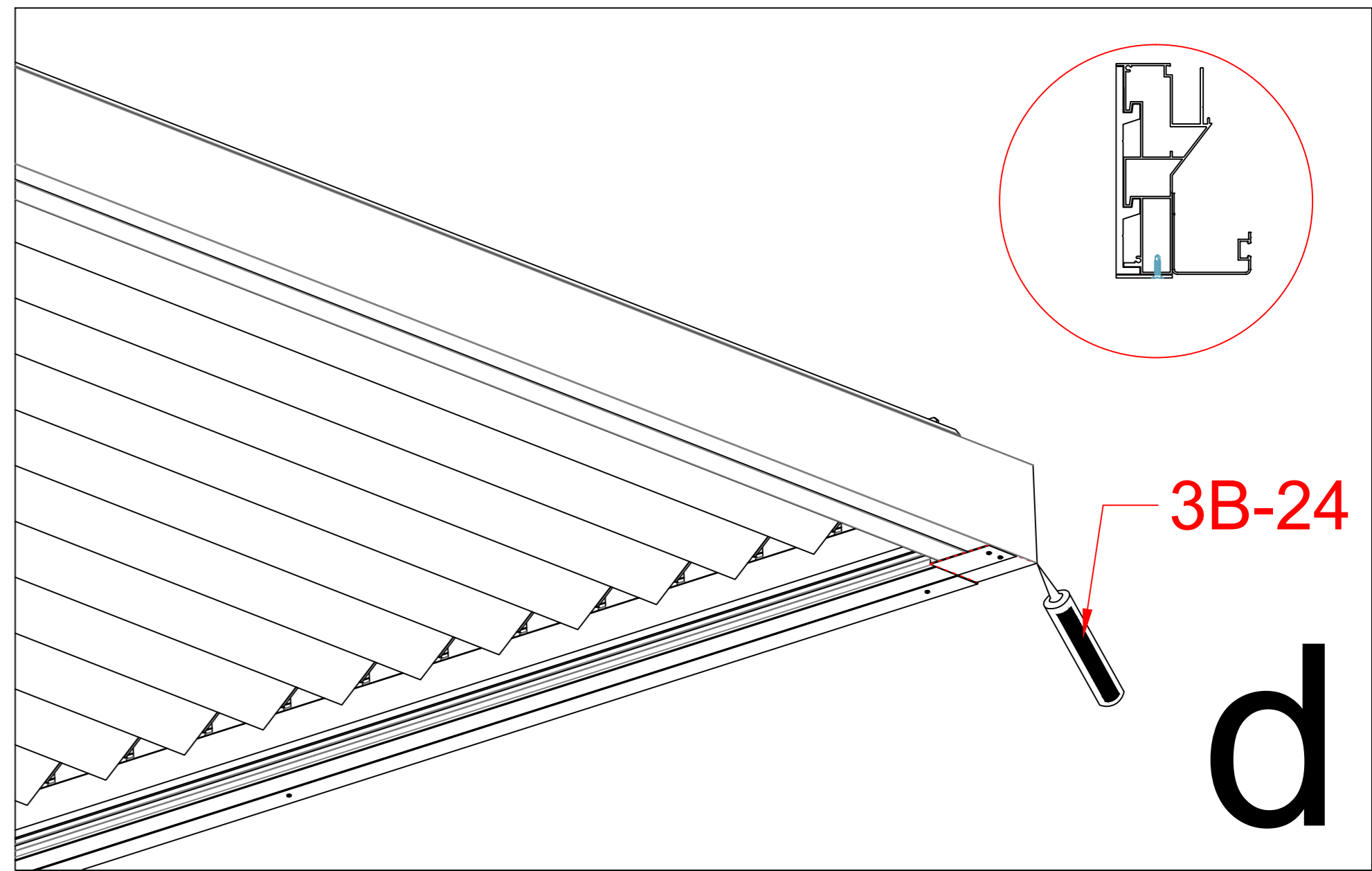
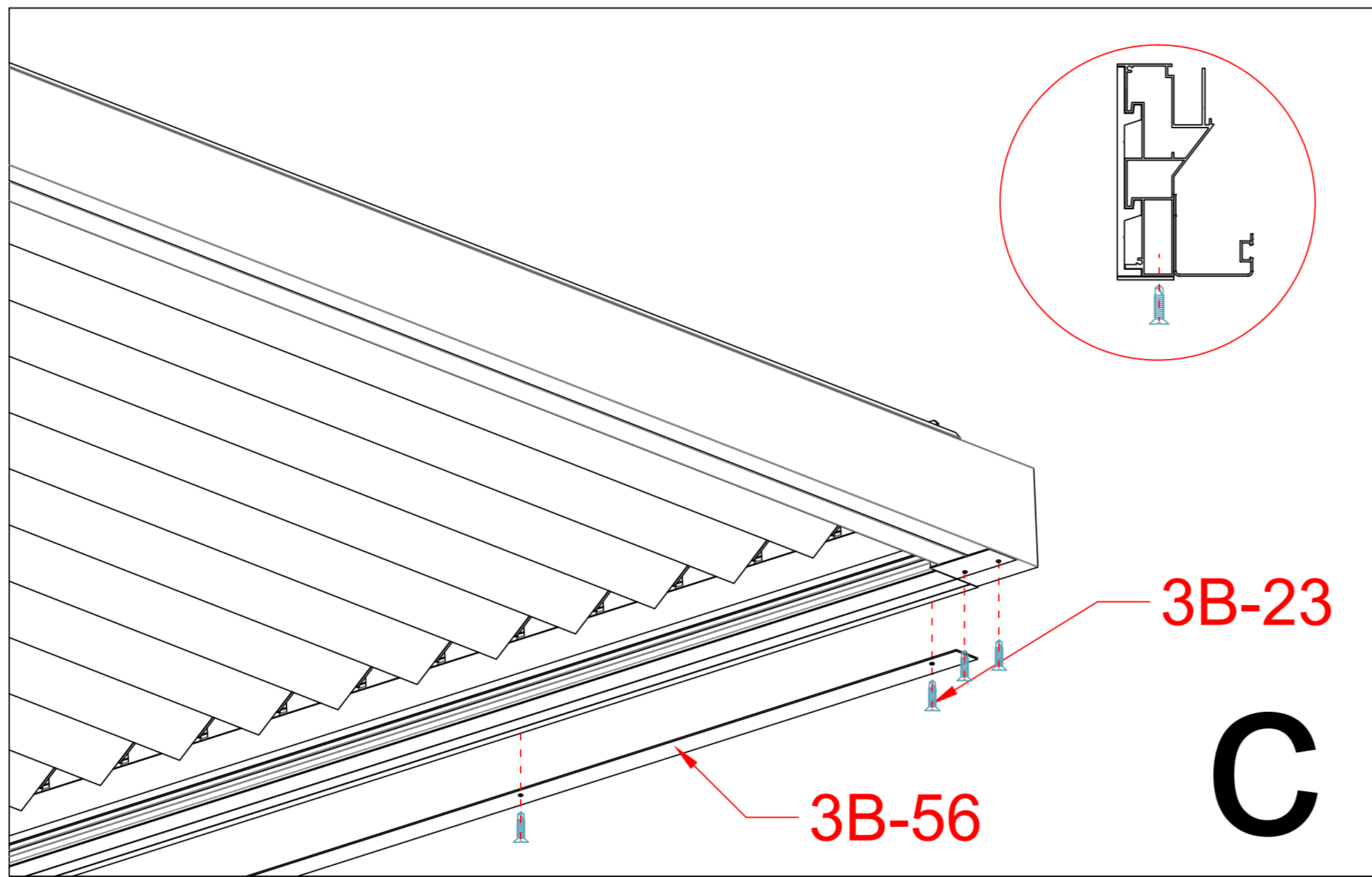
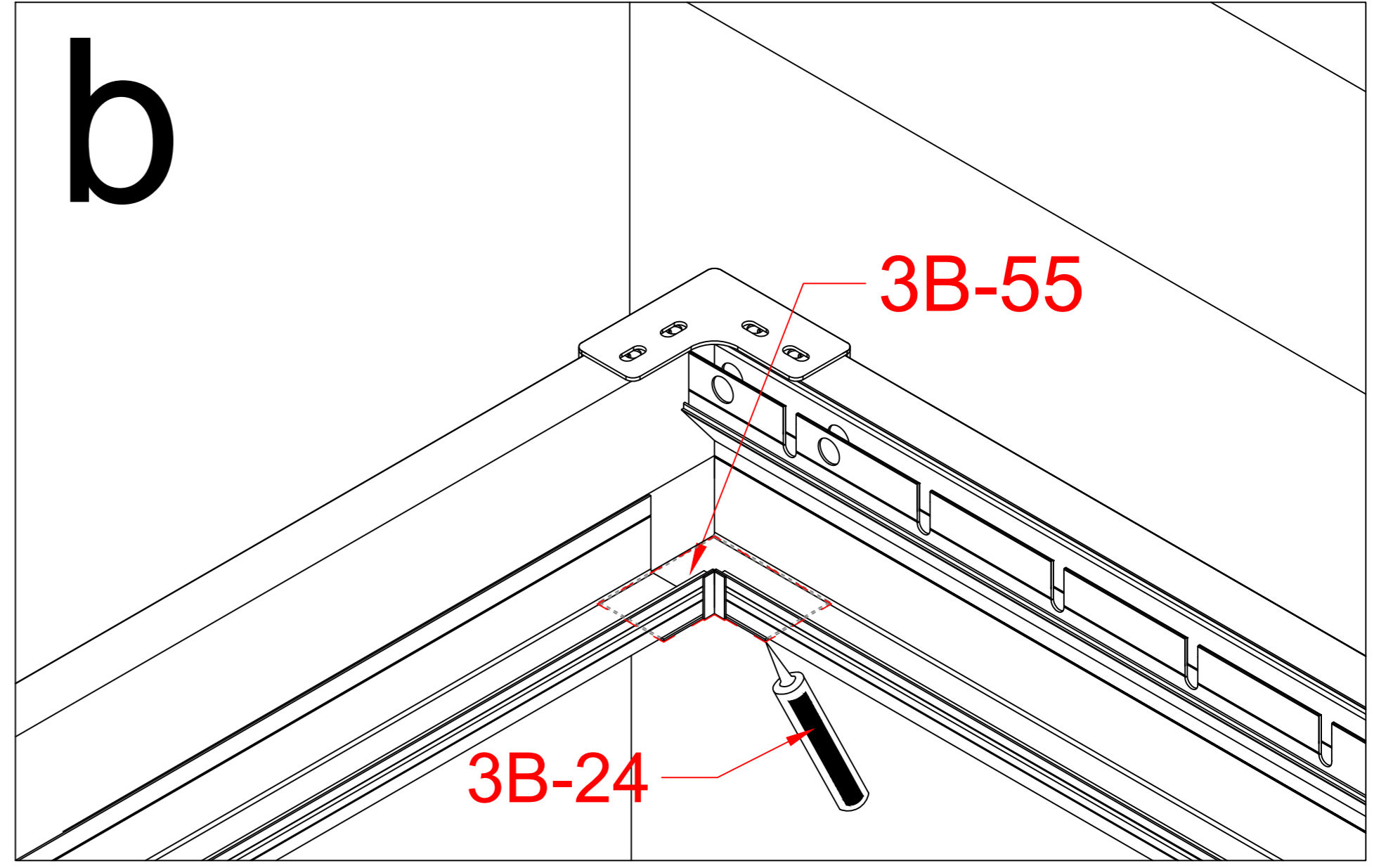
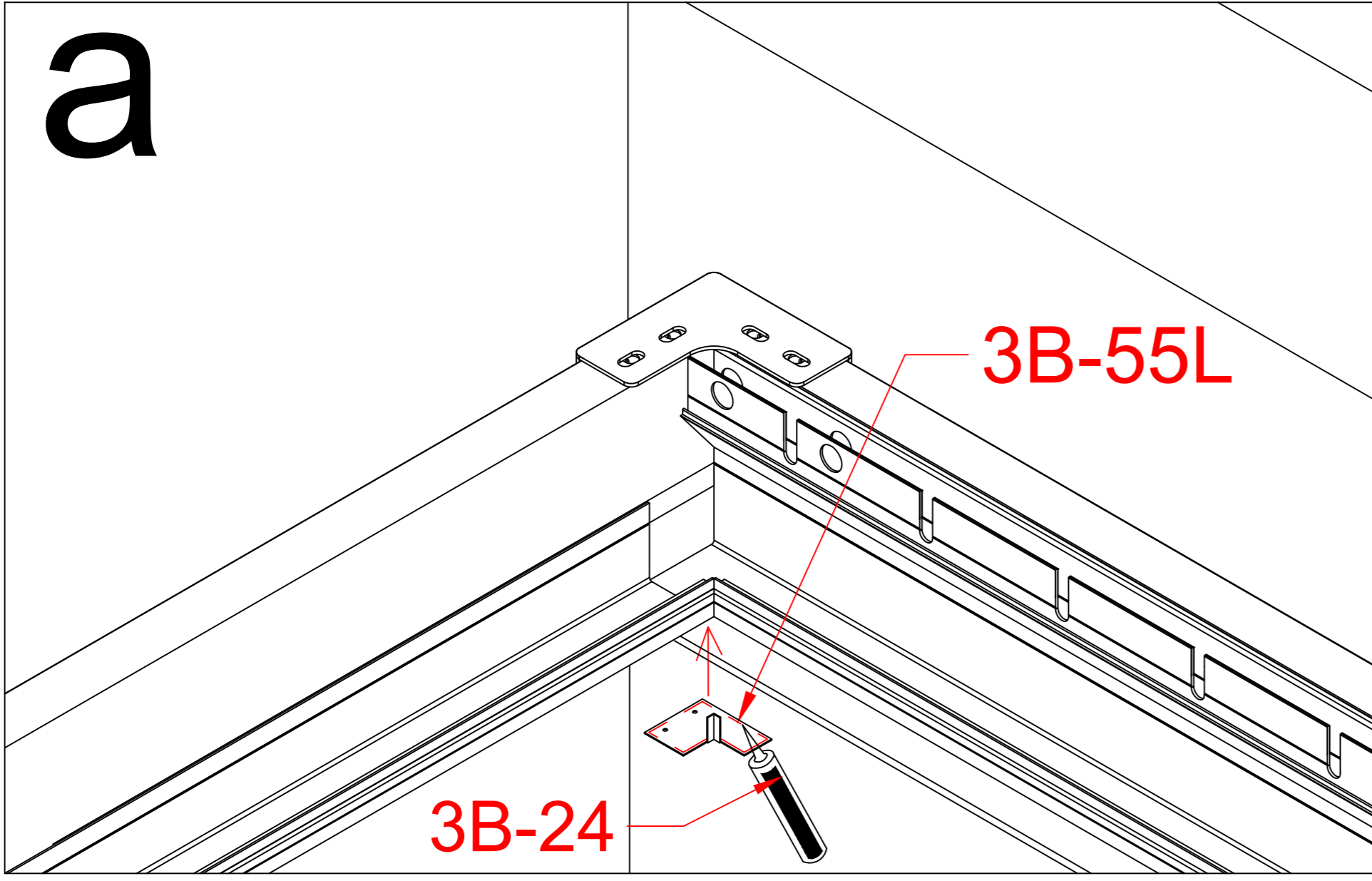
| | | |
|-------|---|----|
| 3B-21 |  | 12 |
|-------|---|----|



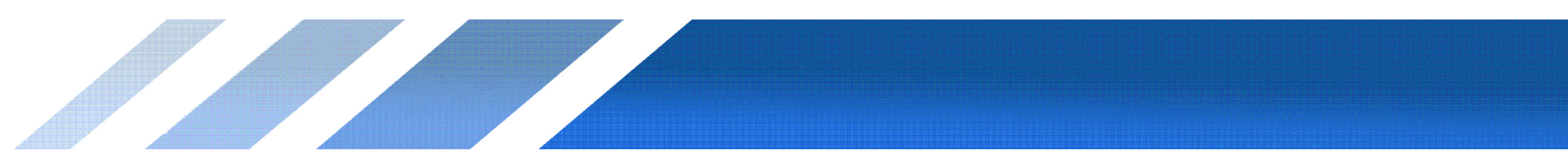


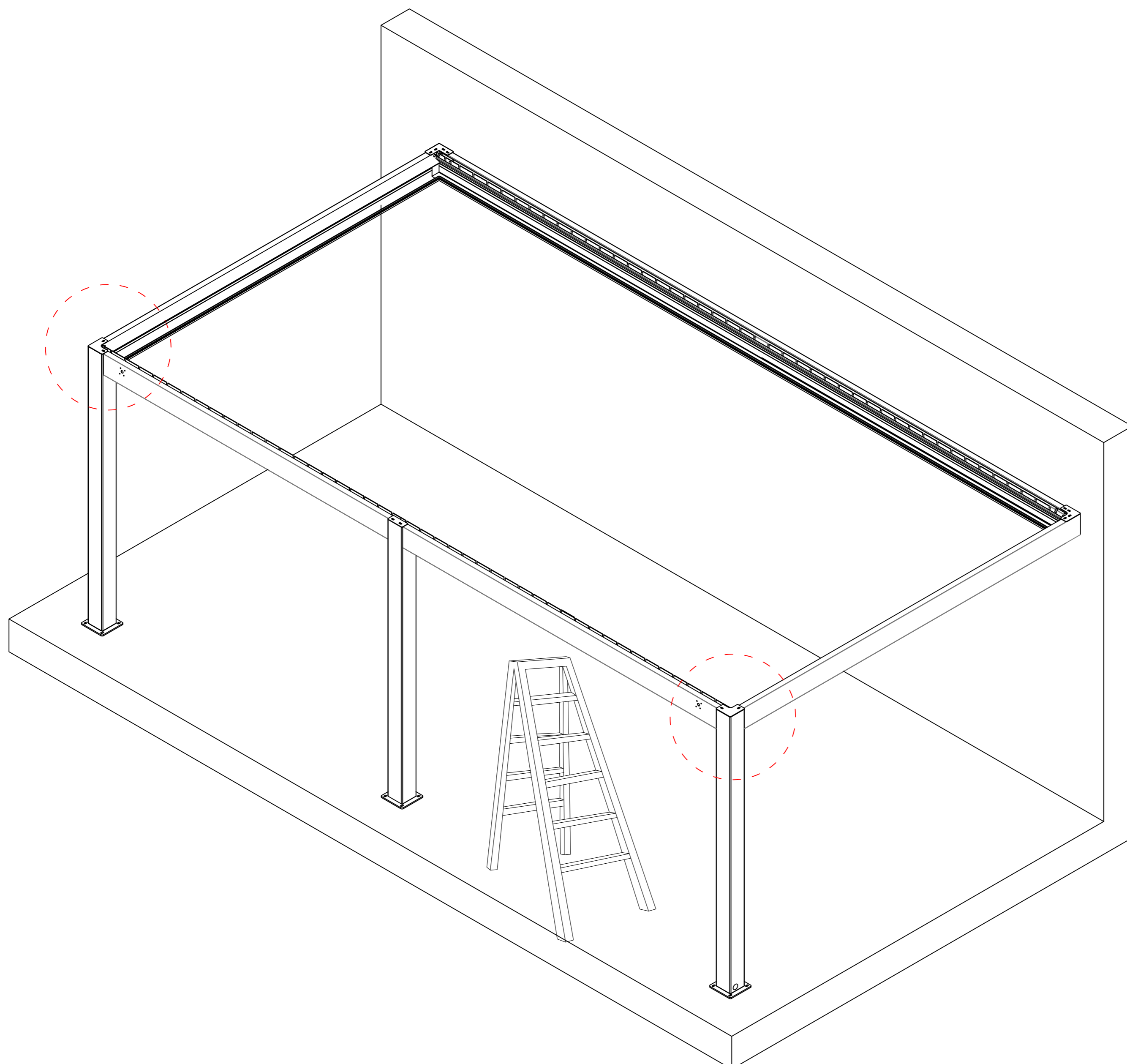
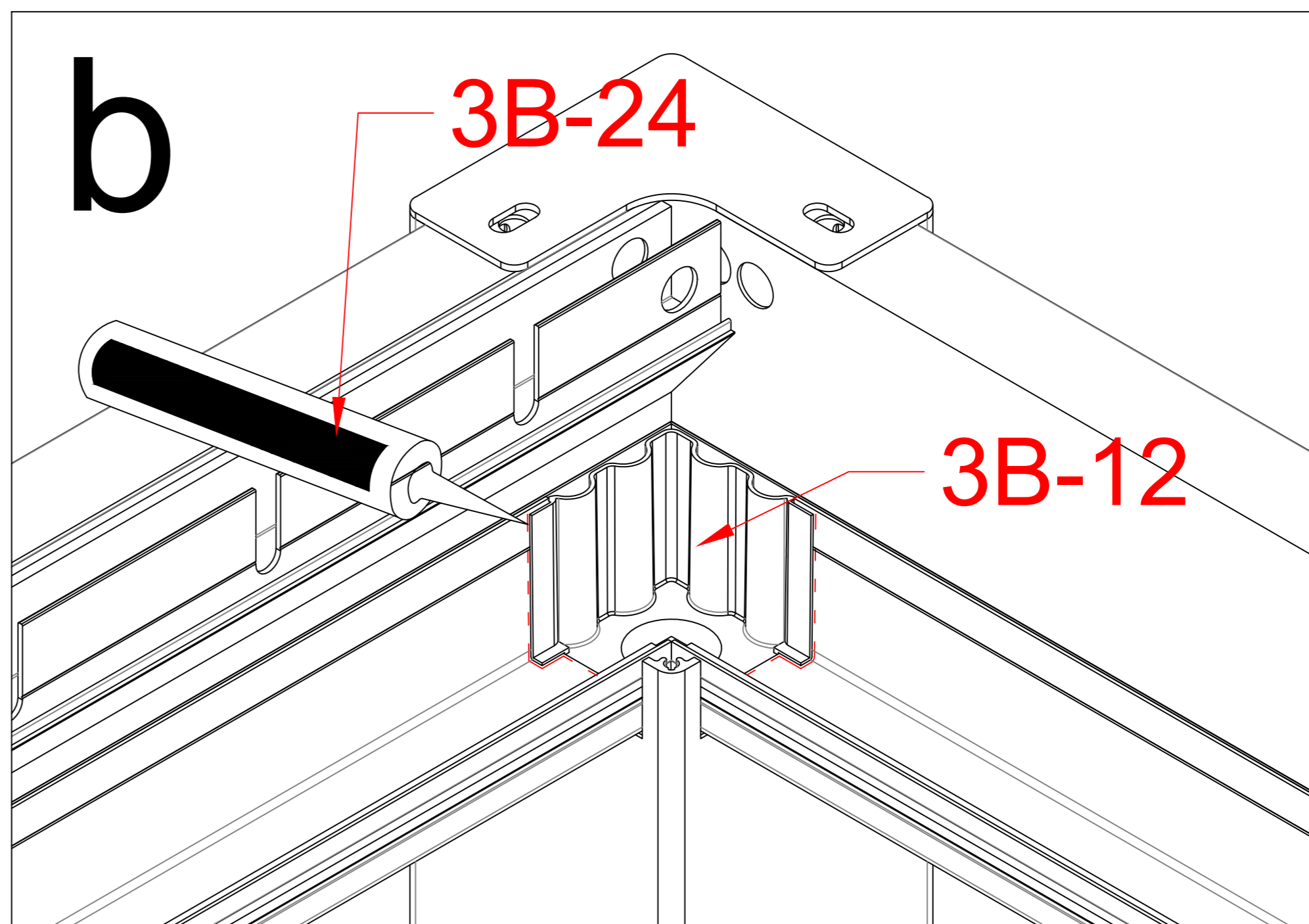
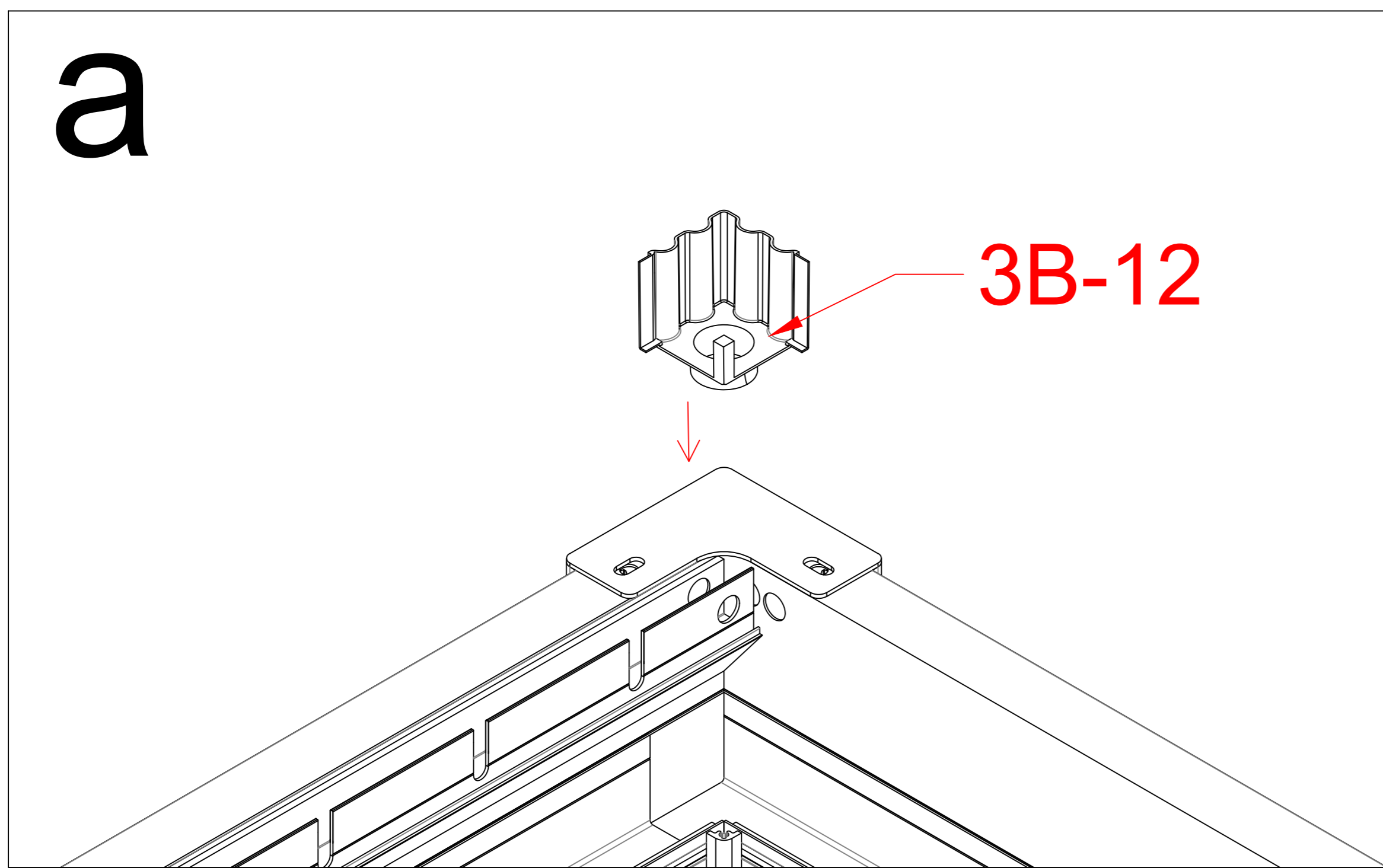
| | | |
|-------|--|----|
| 3B-26 | | 2 |
| 3B-35 | | 2 |
| 3B-11 | | 2 |
| 3B-19 | | 18 |



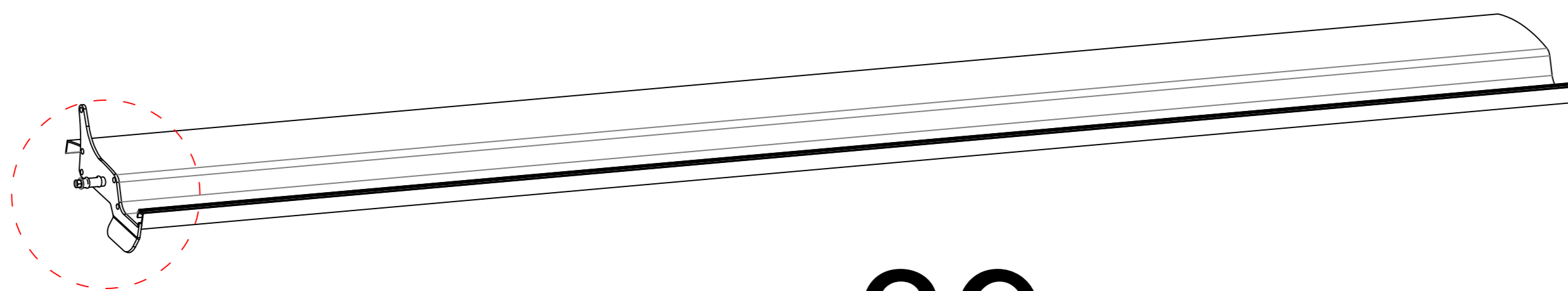
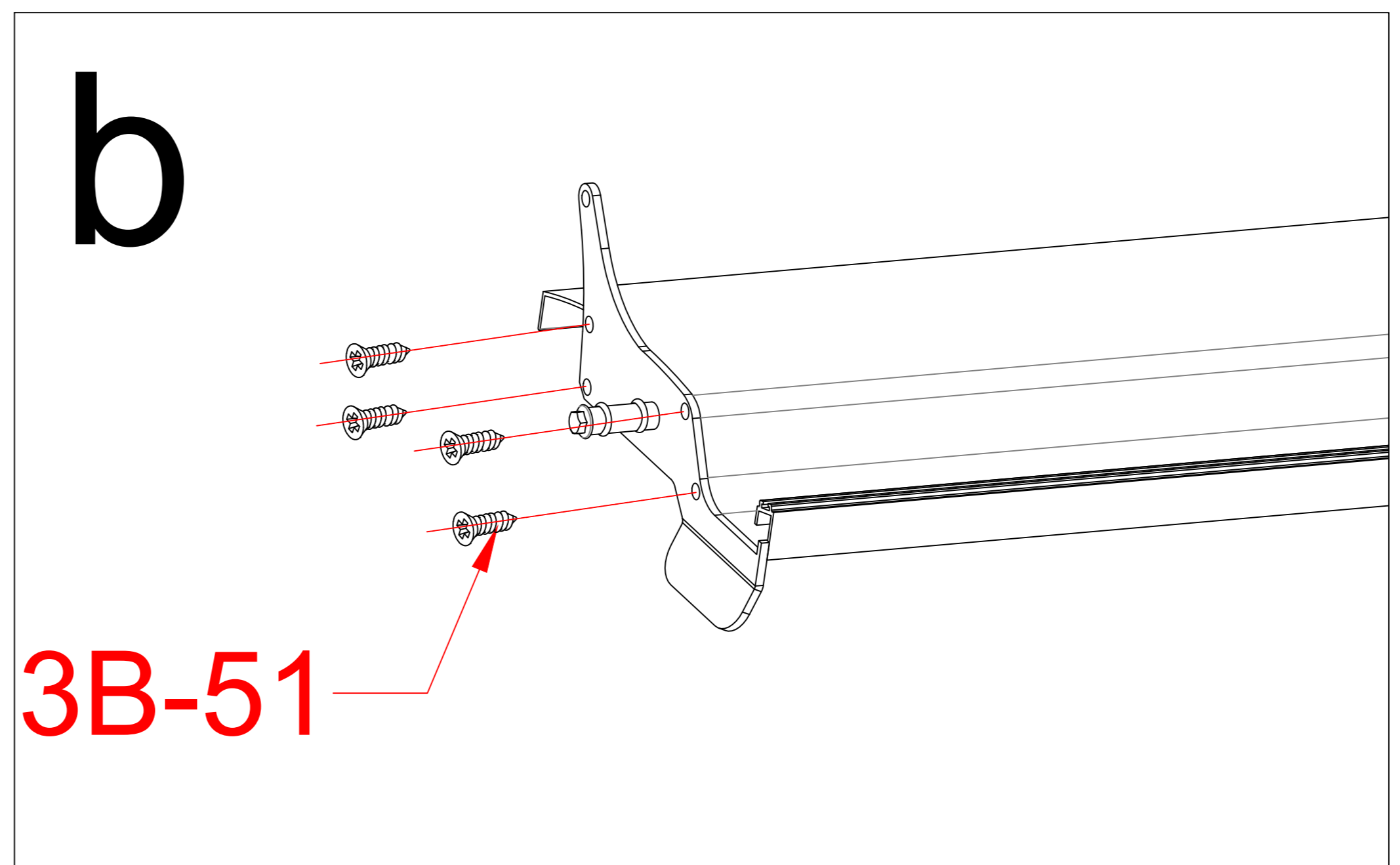
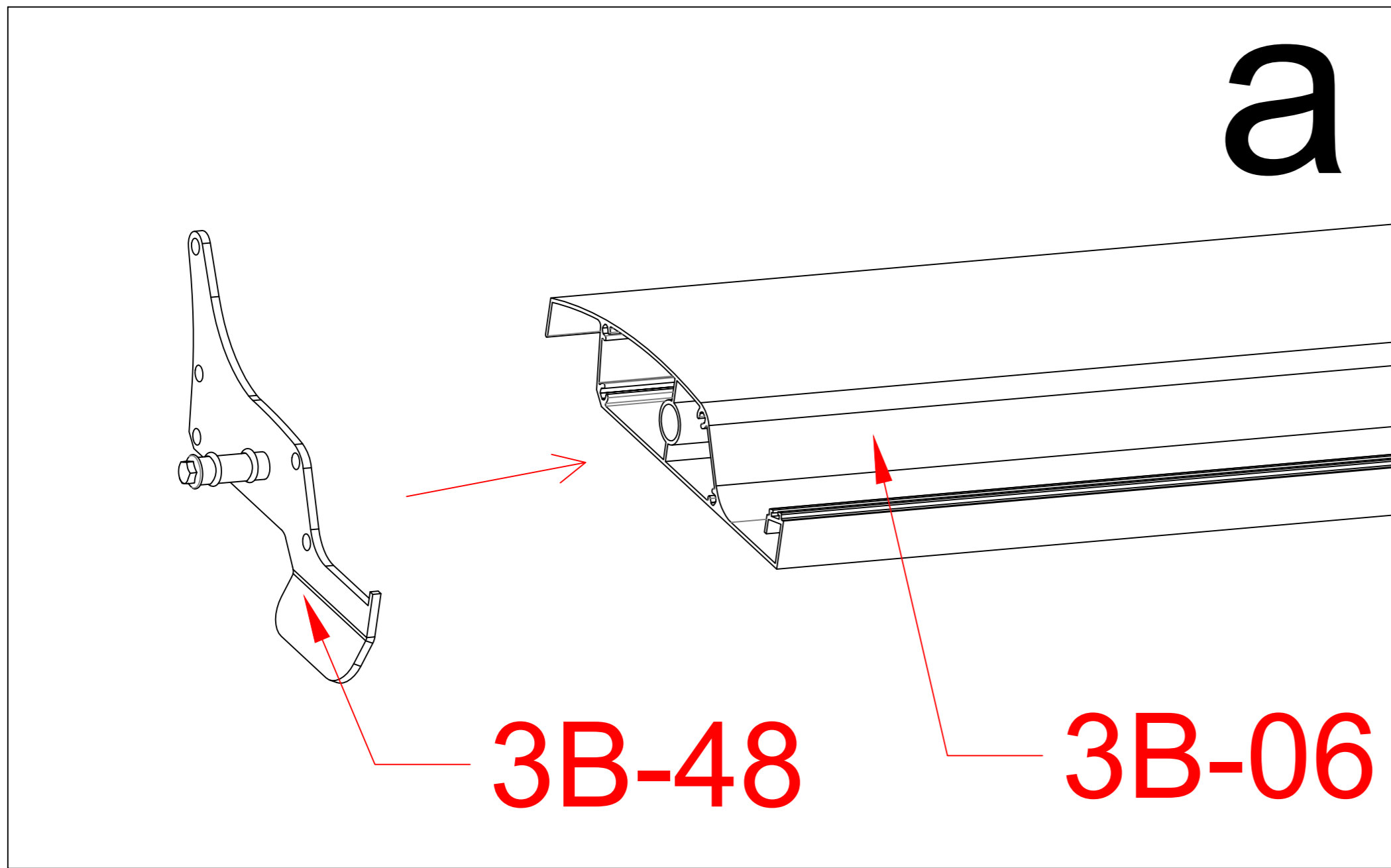


| | | |
|-------|--|----|
| 3B-55 | | 2 |
| 3B-56 | | 2 |
| 3B-23 | | 14 |



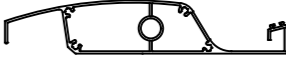
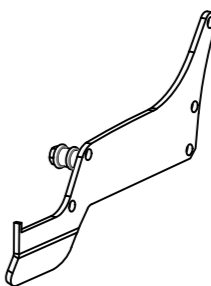


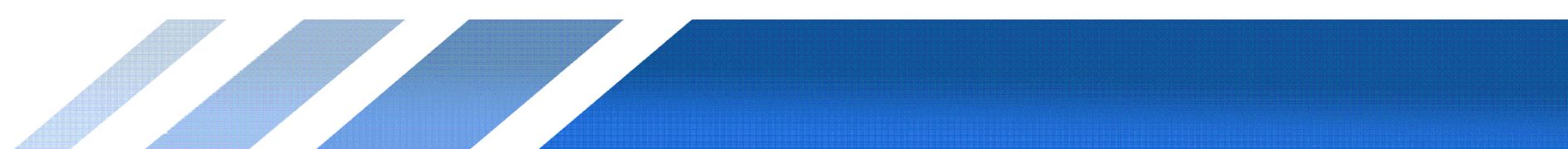


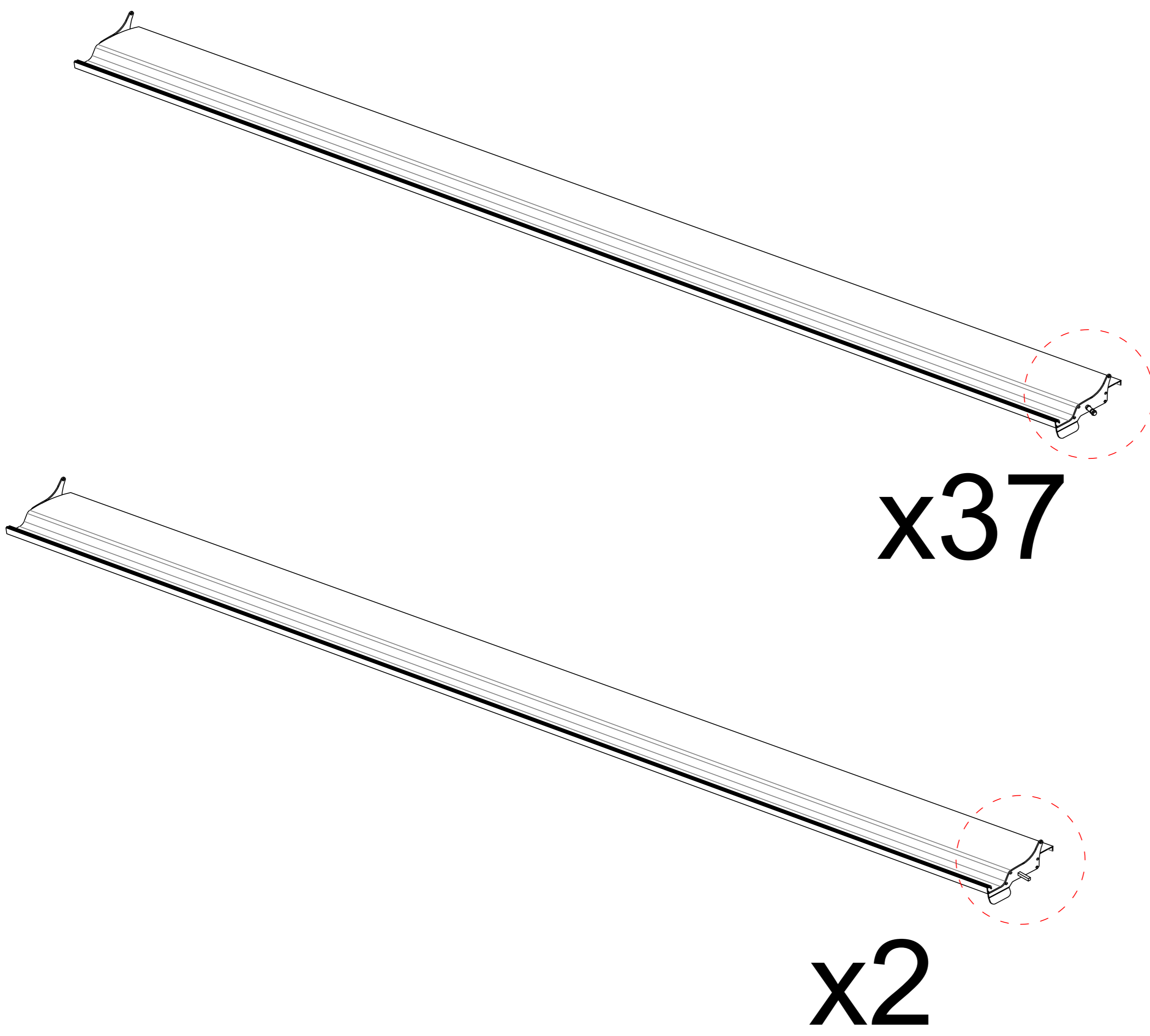
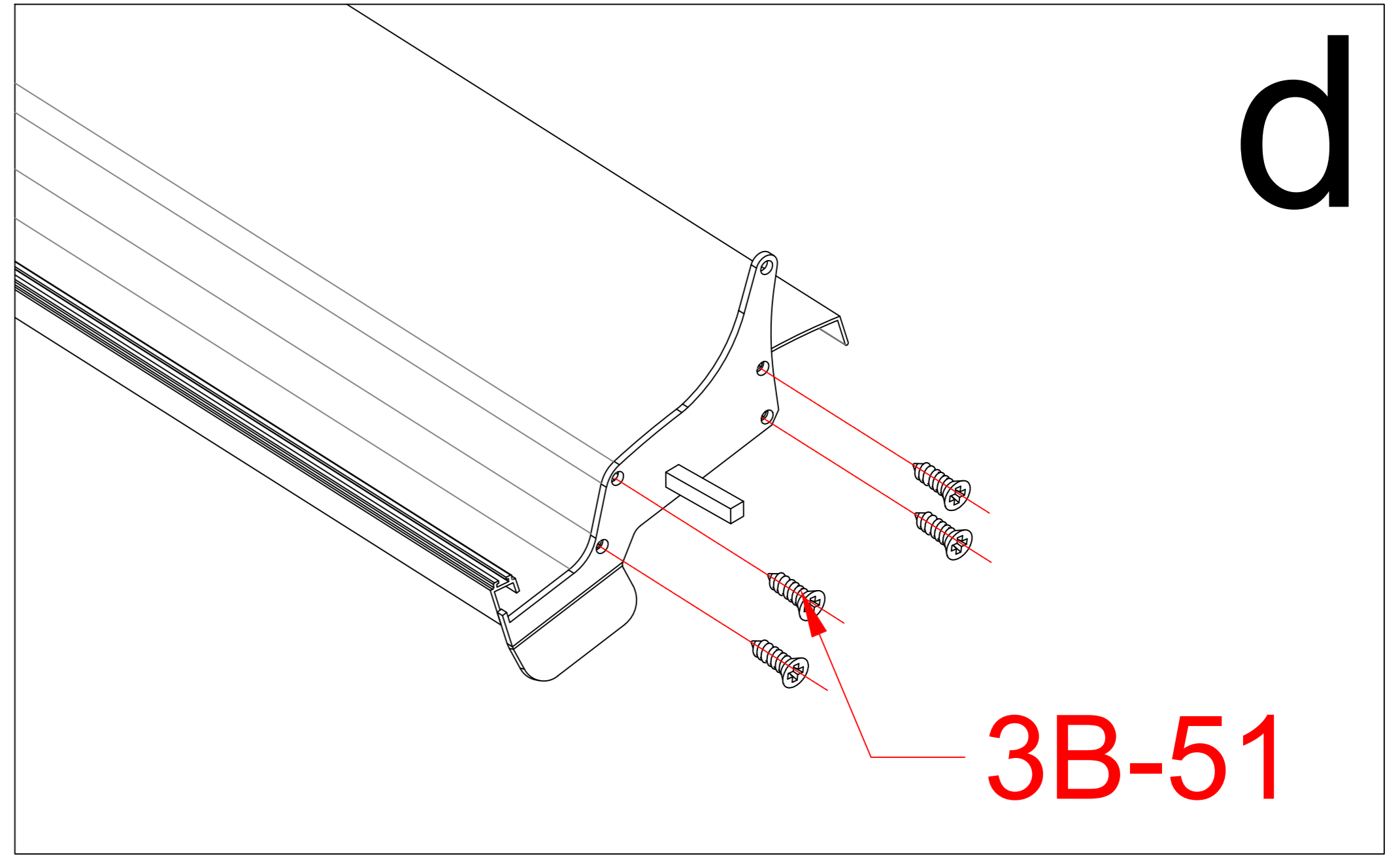
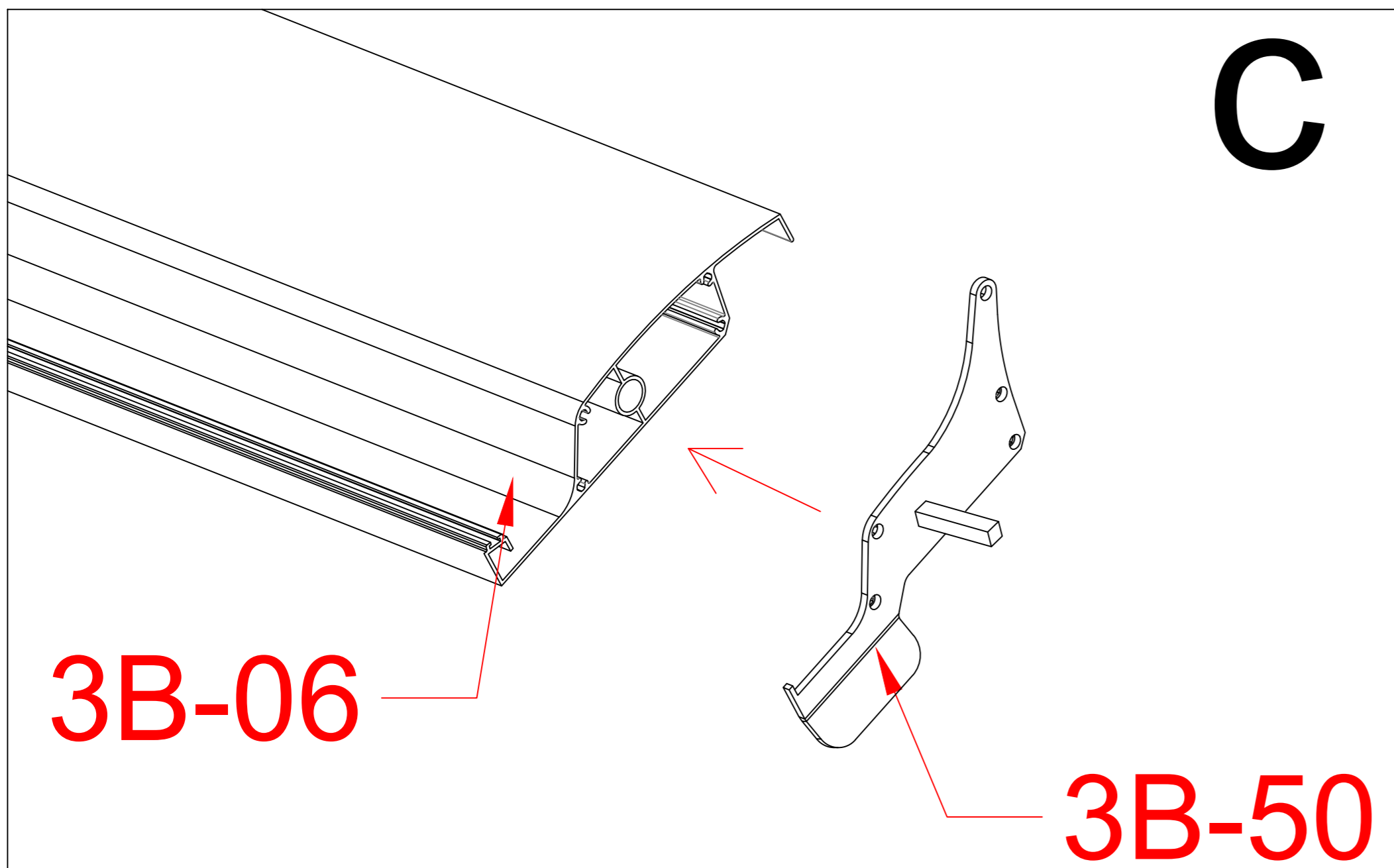
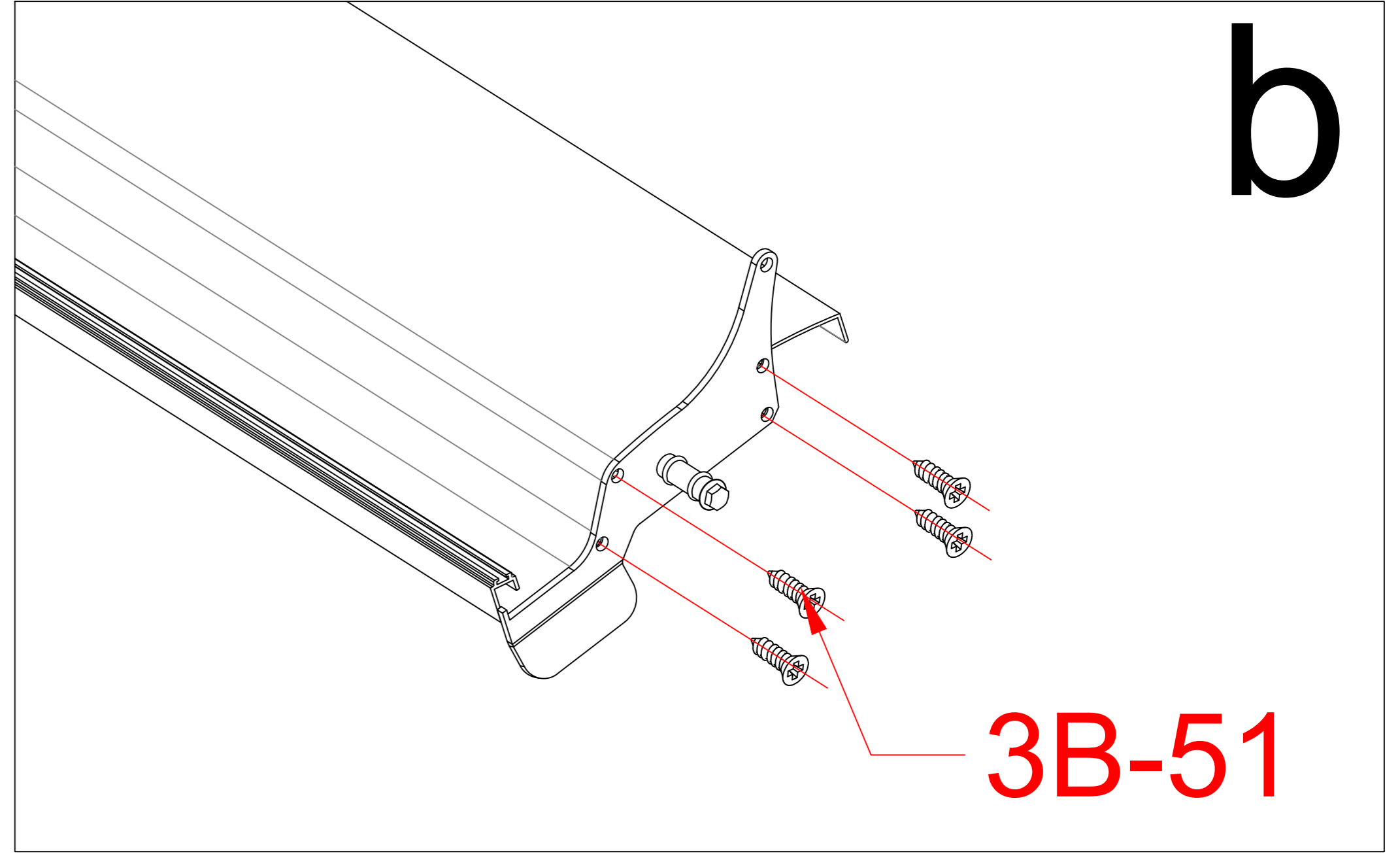
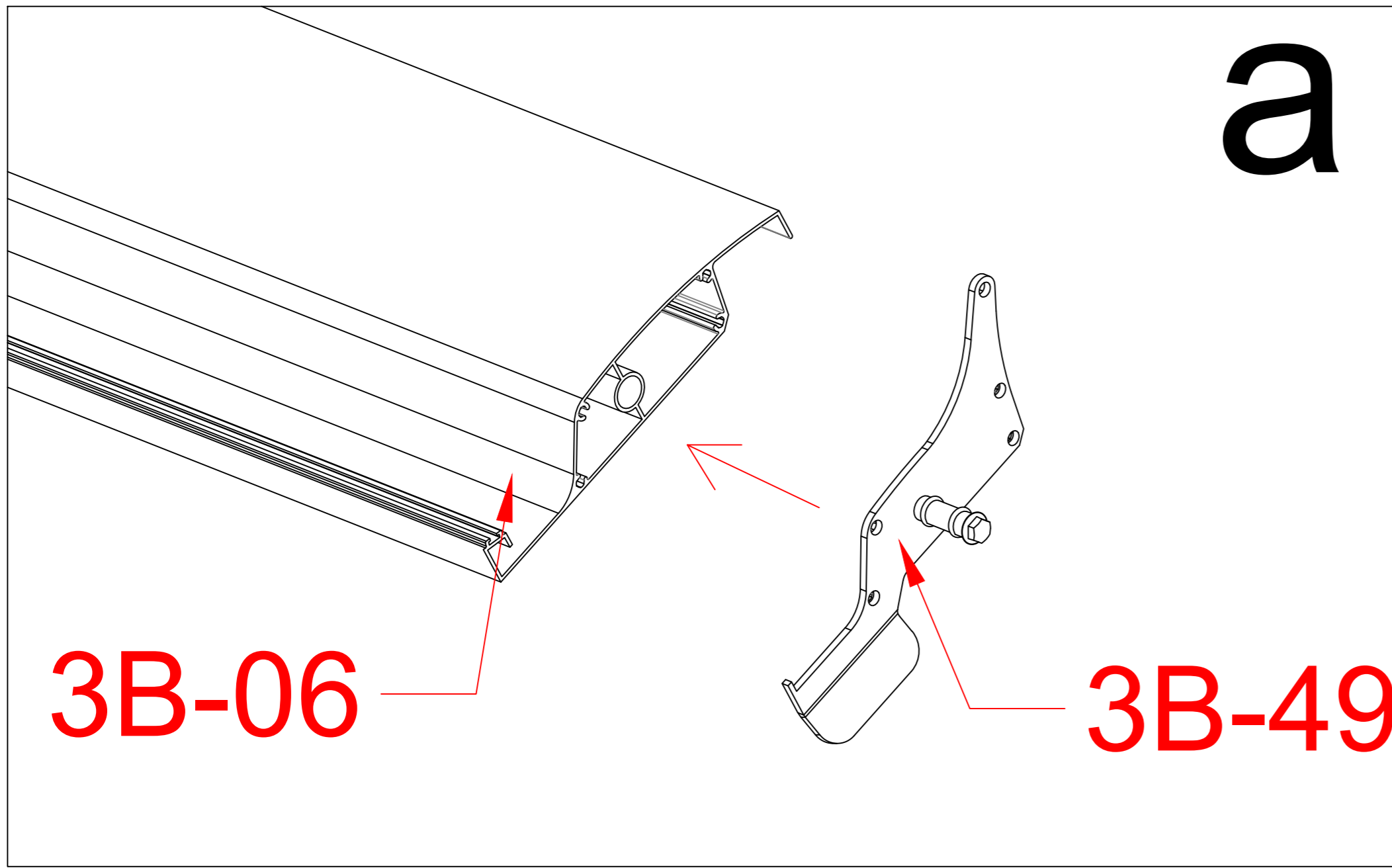
| | | |
|-------|--|---|
| 3B-24 | | 1 |
| 3B-12 | | 2 |



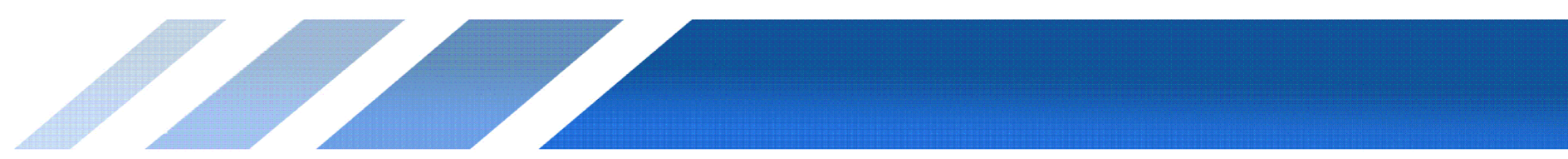
x39

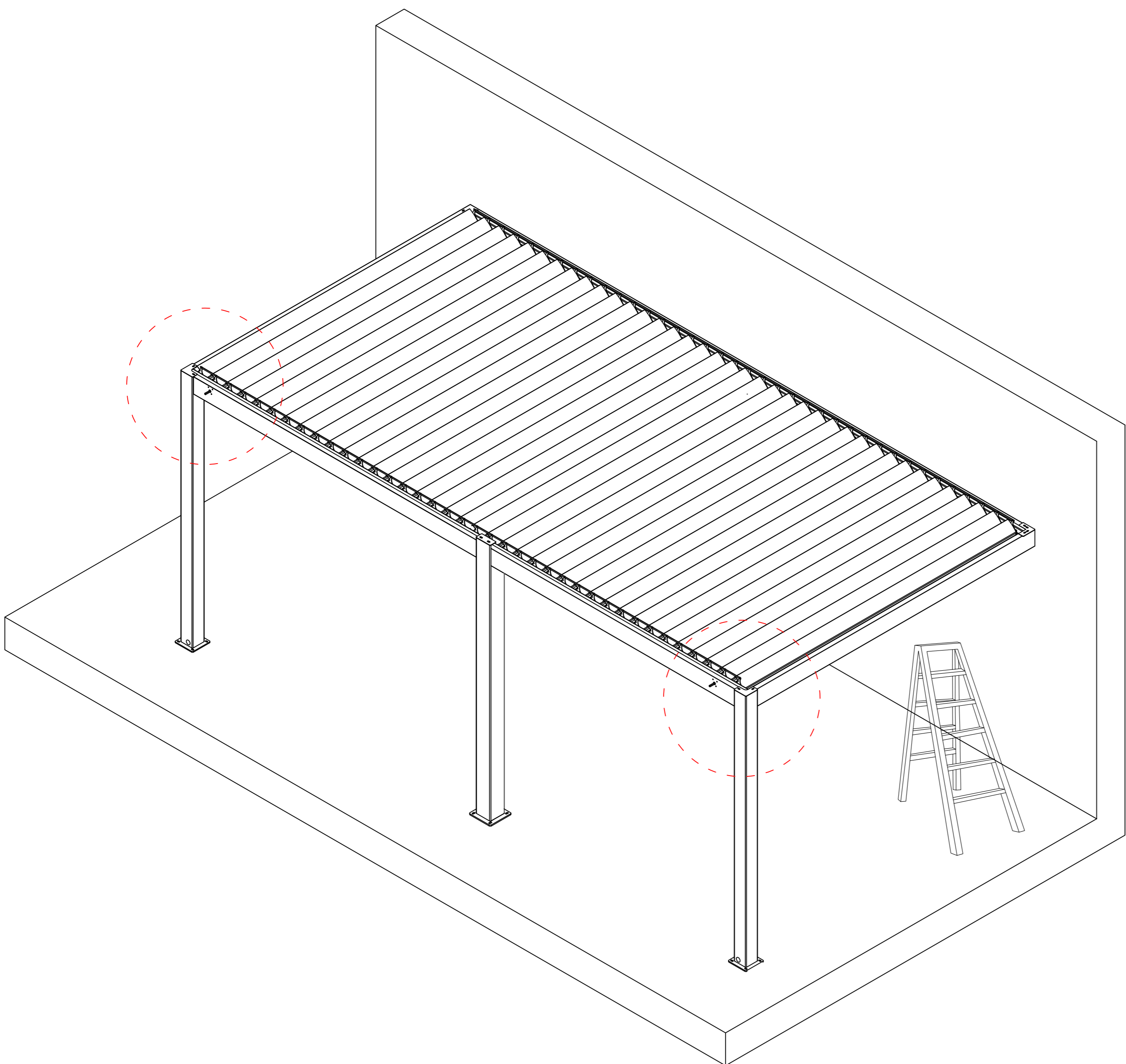
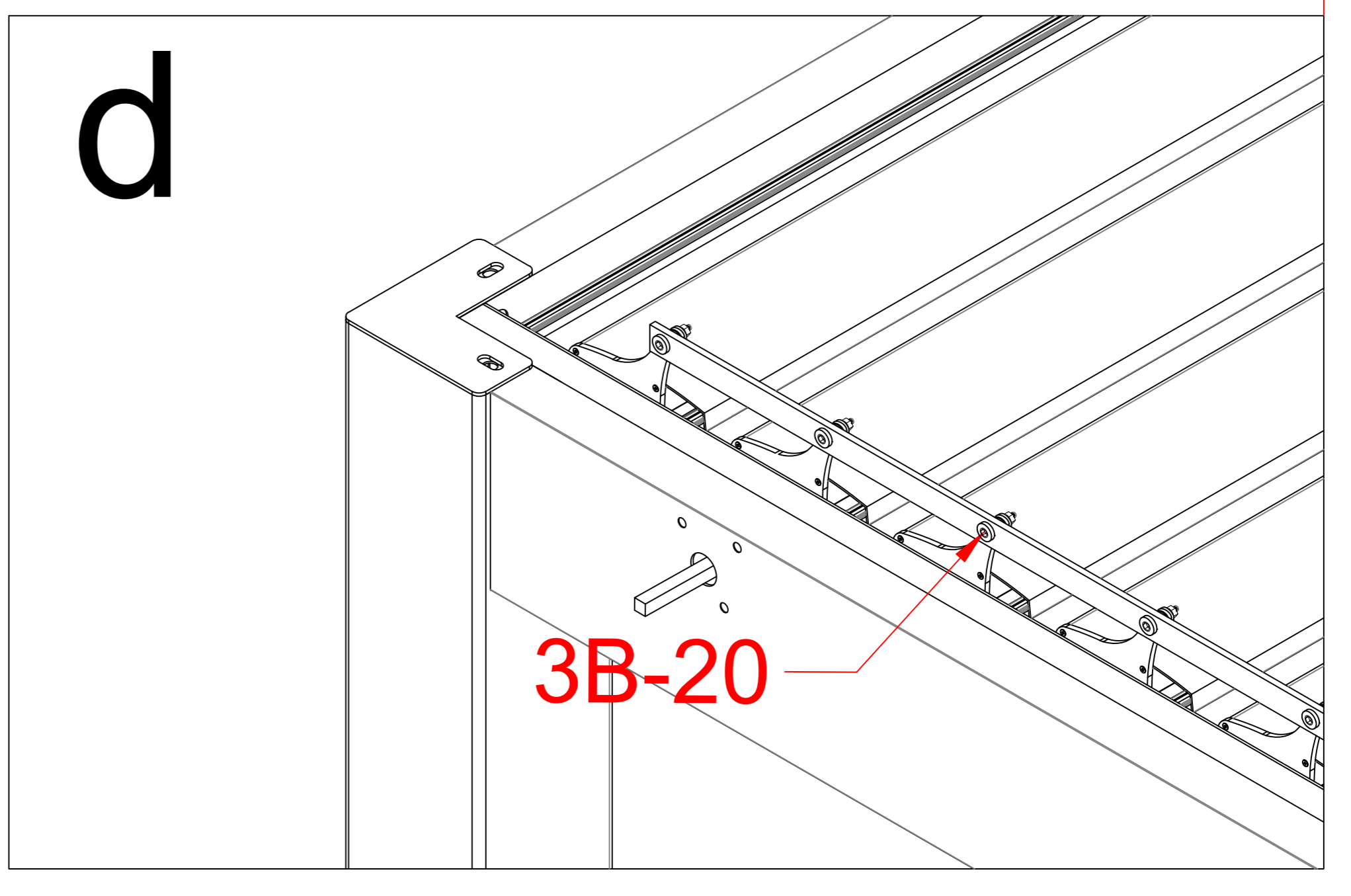
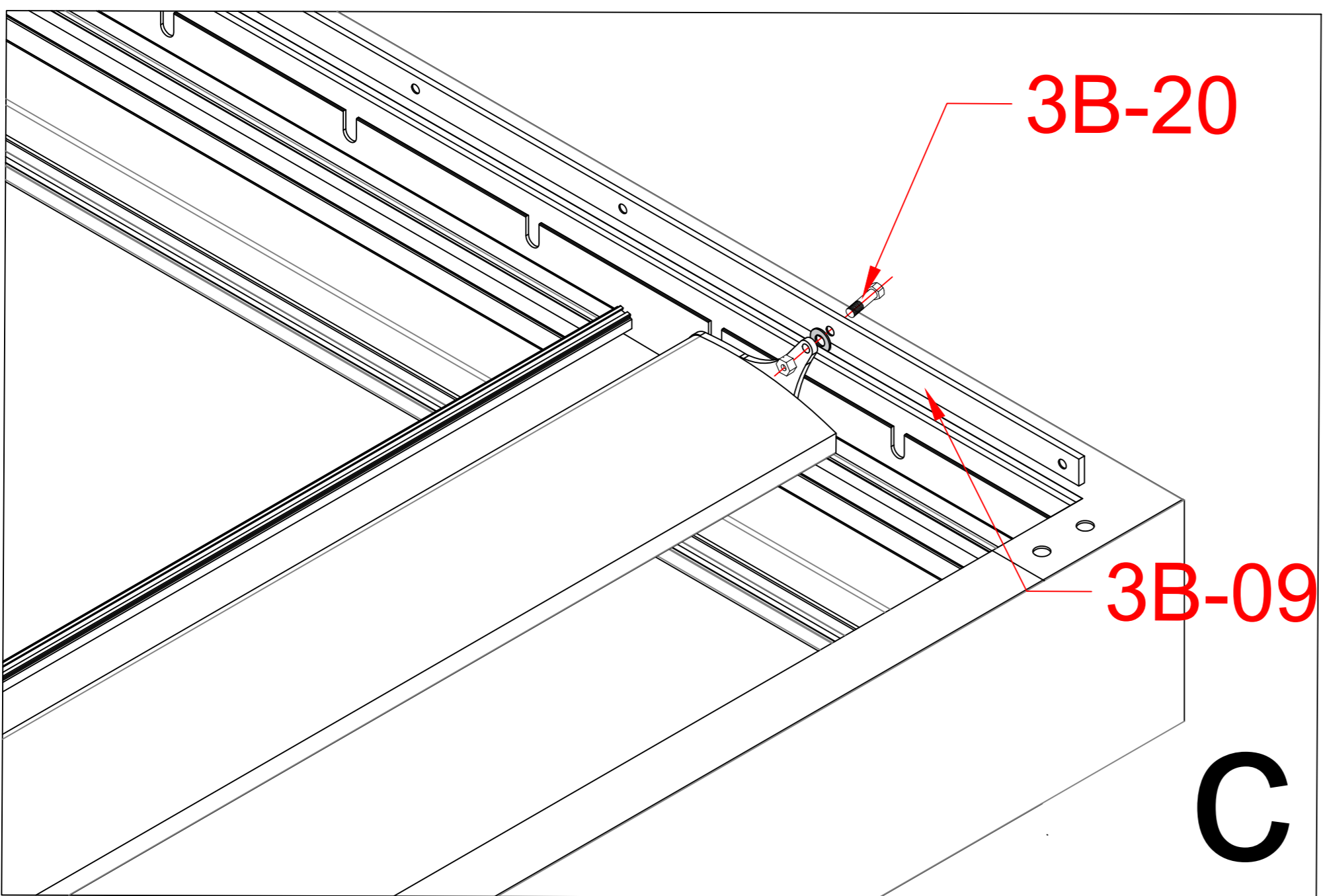
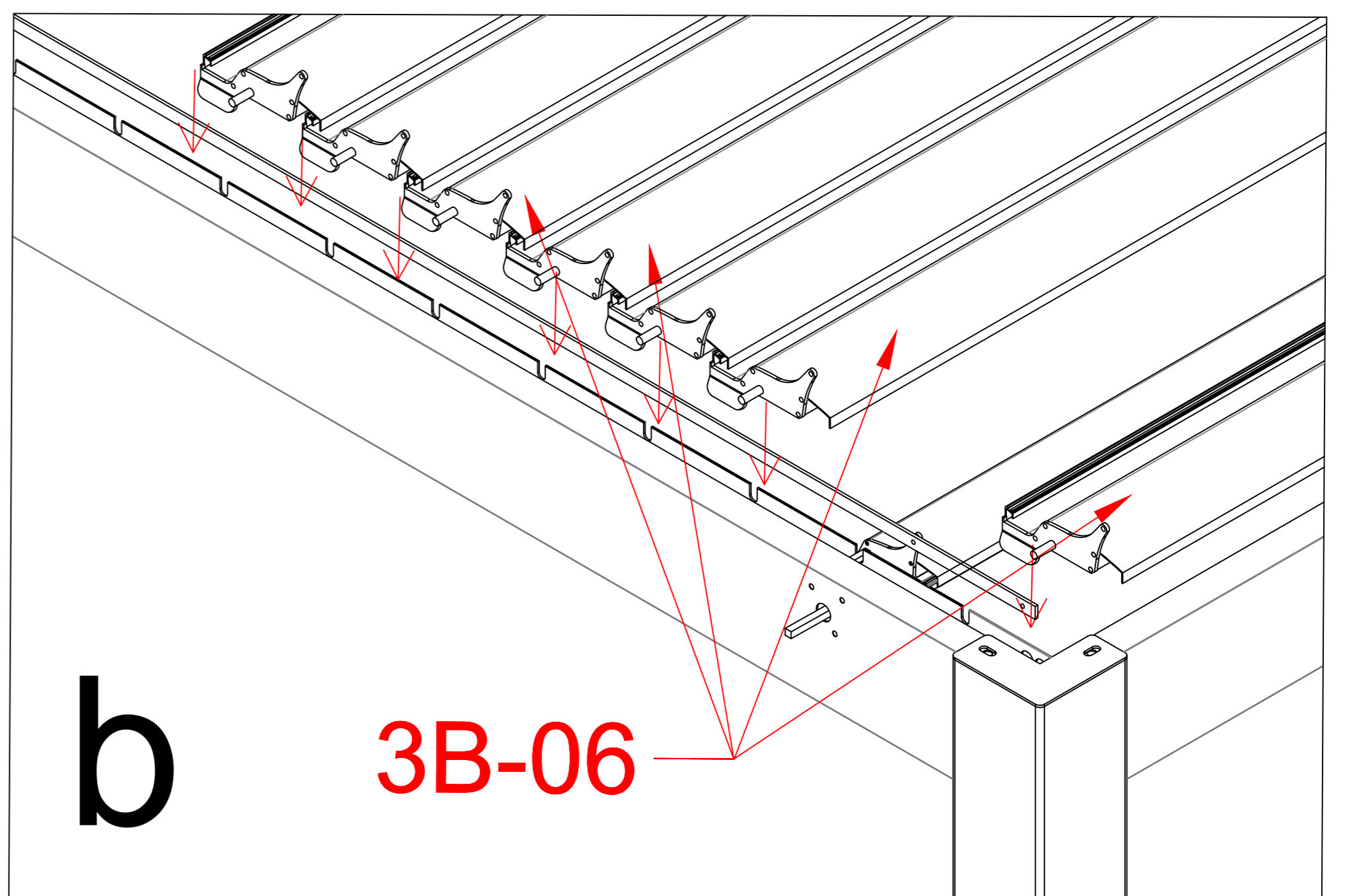
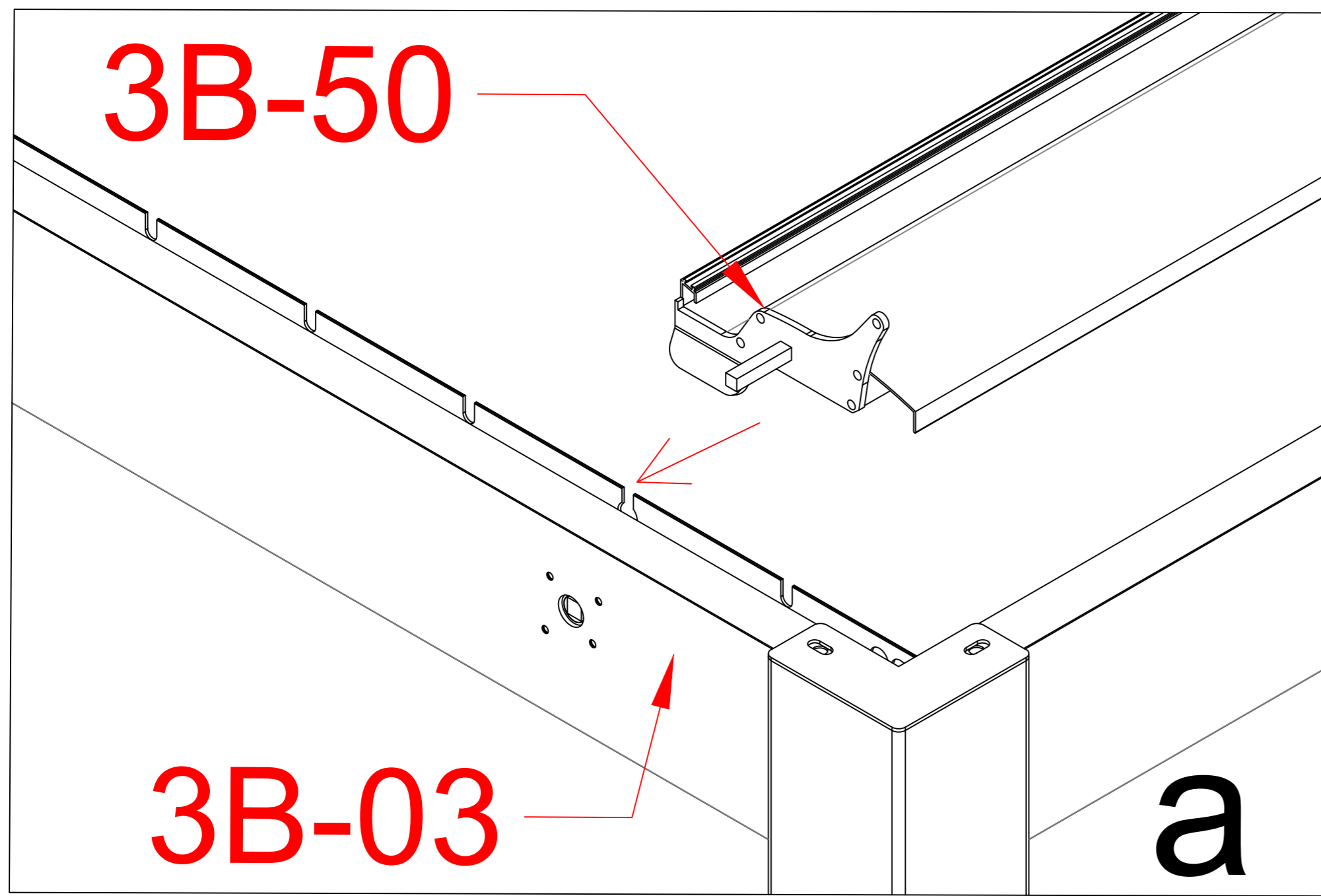
| | | |
|-------|--|-----|
| 3B-51 |  | 156 |
| 3B-06 |   | 39 |
| 3B-48 |  | 39 |



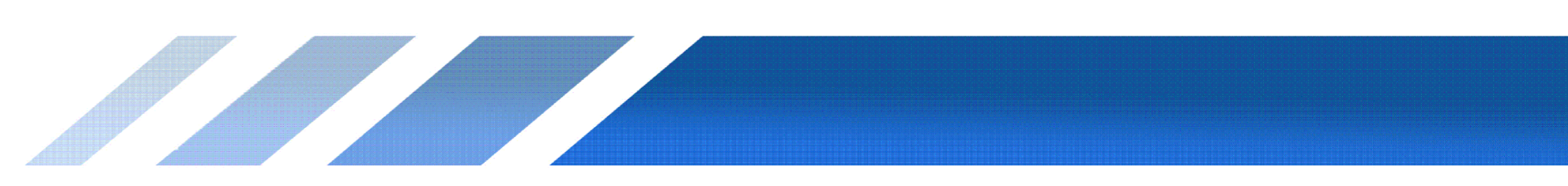


| | | |
|-------|--|-----|
| 3B-49 | | 37 |
| 3B-50 | | 2 |
| 3B-51 | | 156 |



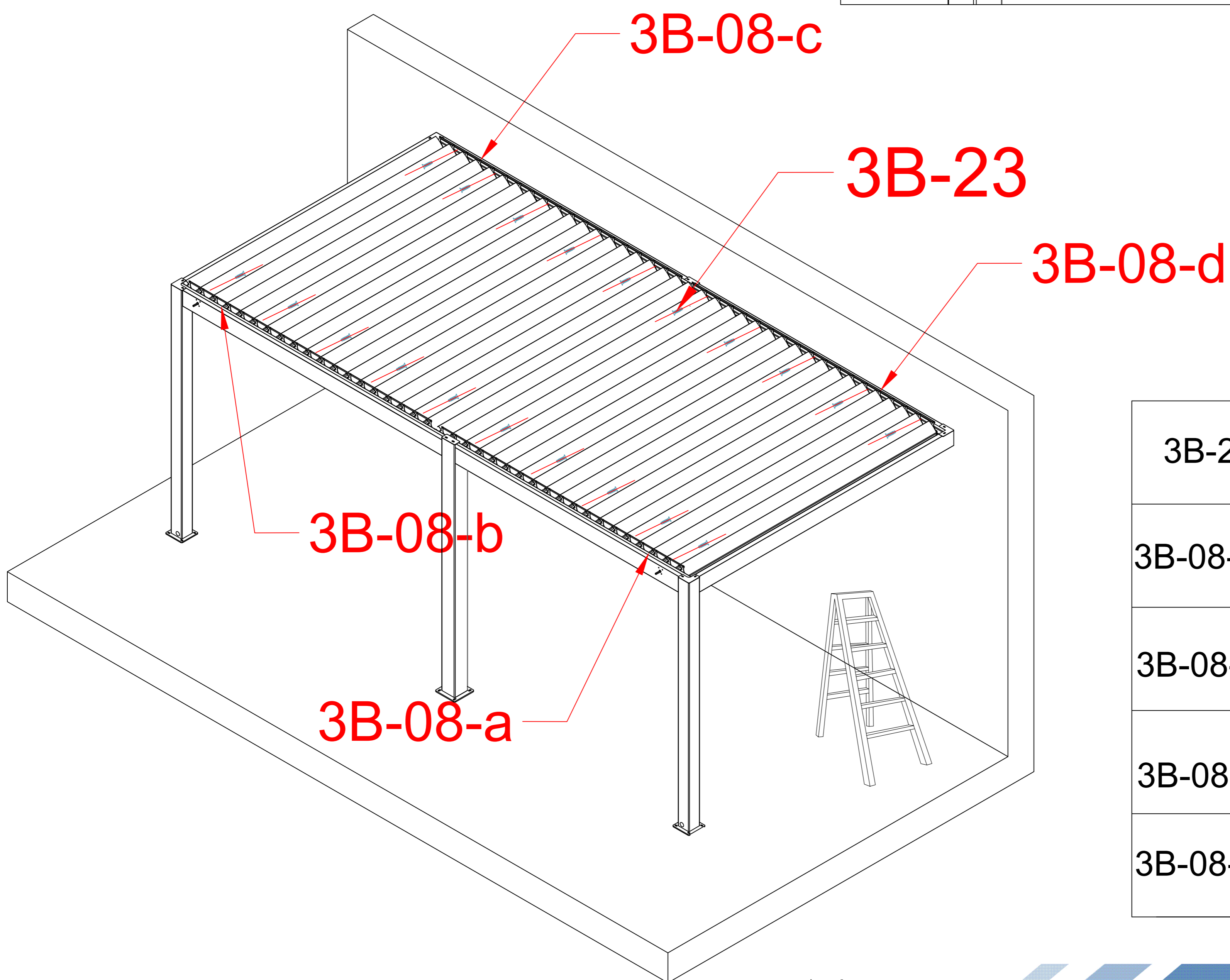
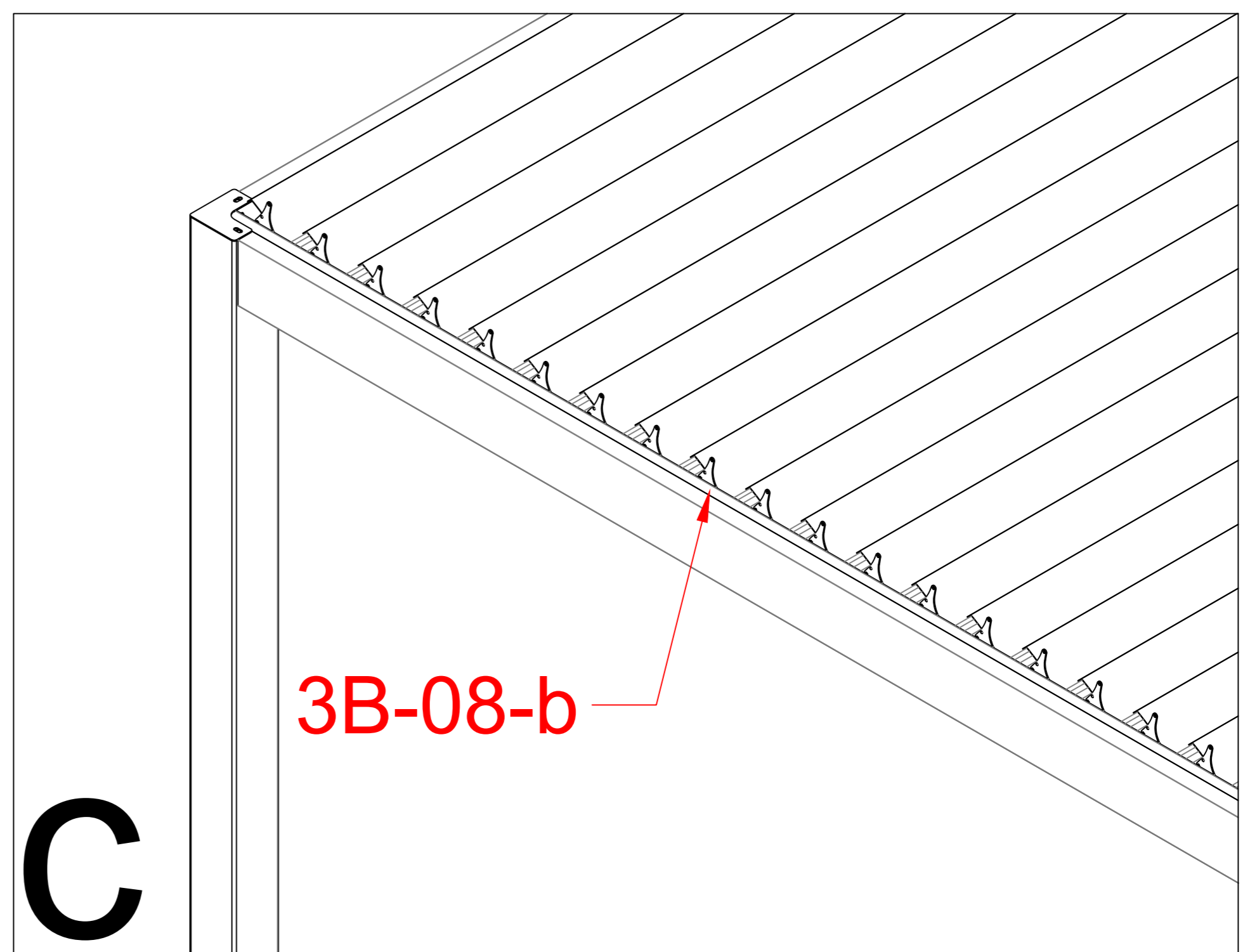
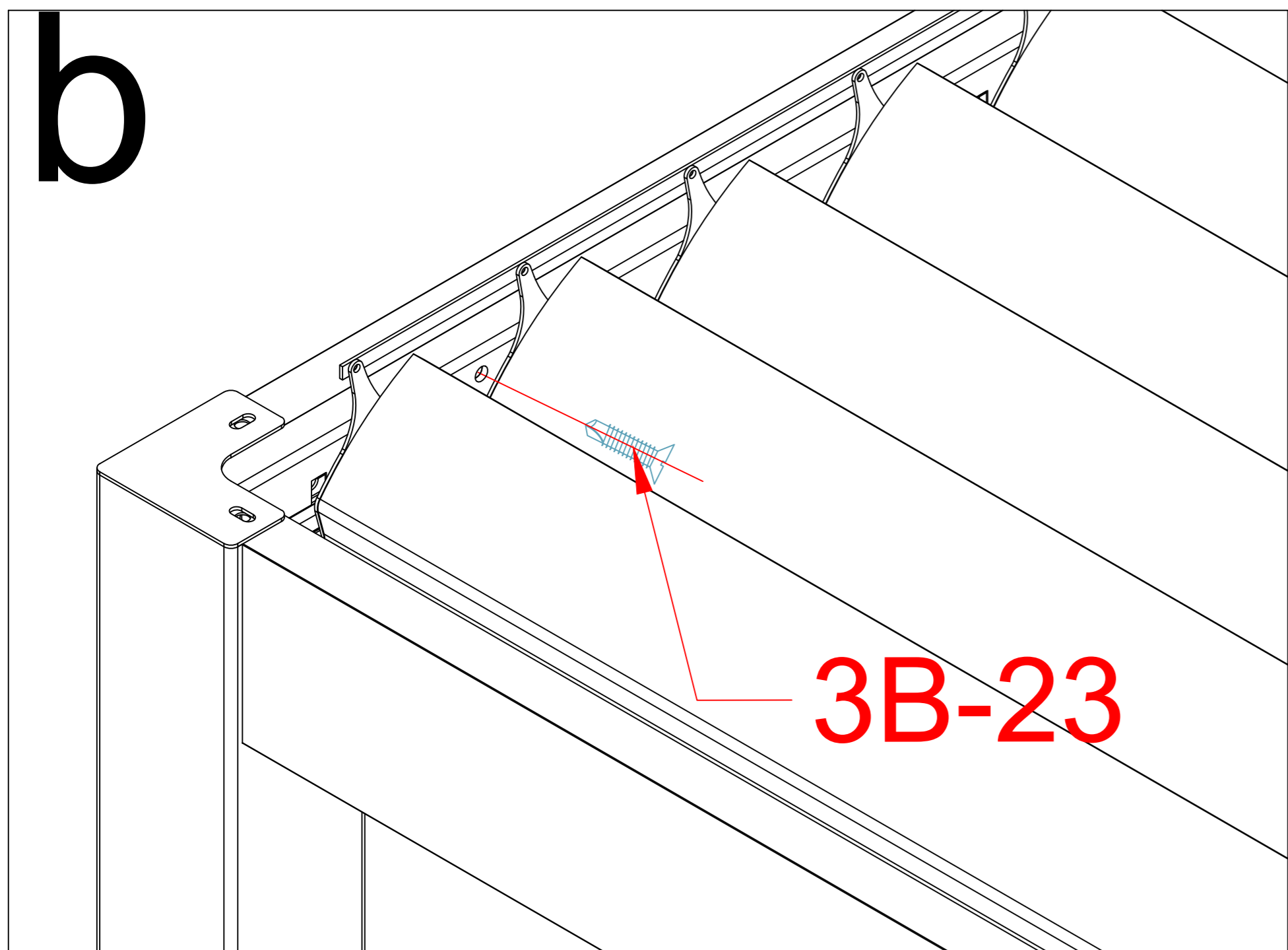
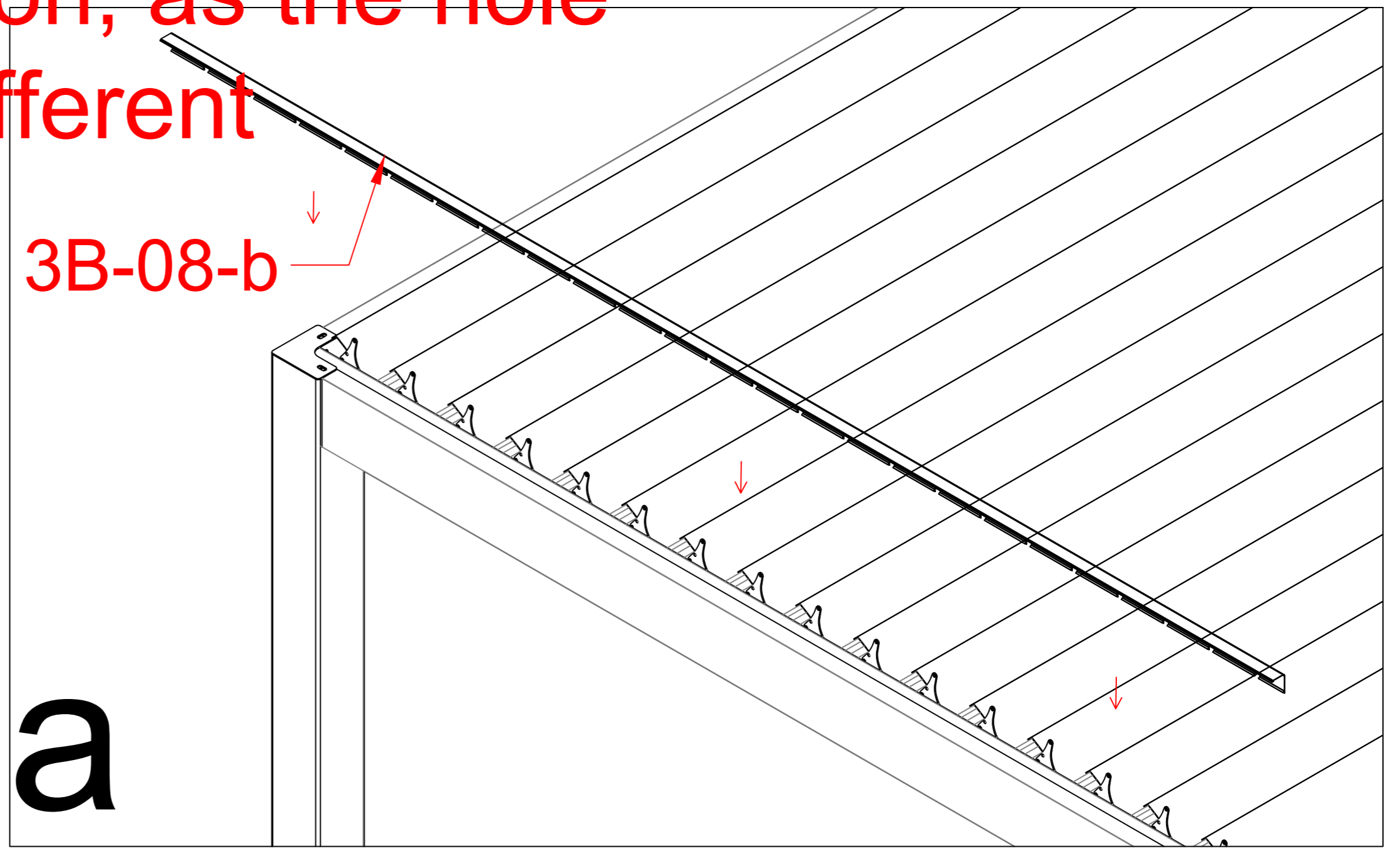


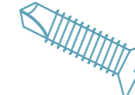
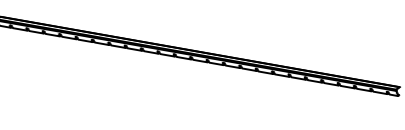
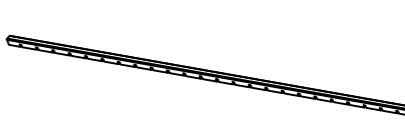
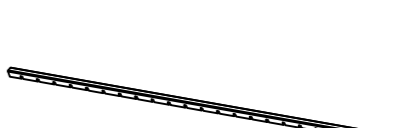
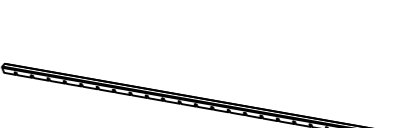
| | | |
|--------------|--|----|
| 3B-06 | | 37 |
| 3B-09 | | 4 |
| 3B-20 | | 78 |
| 3B-06 /50 | | 2 |

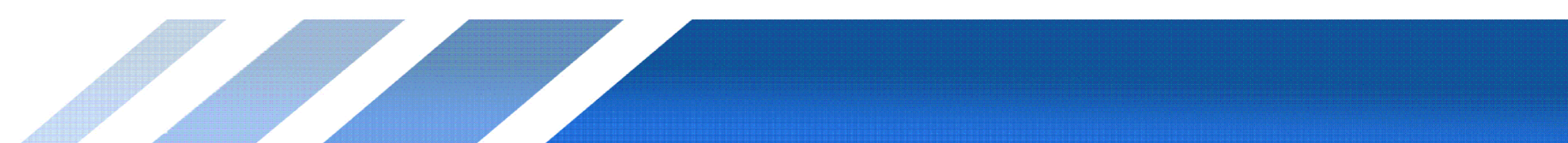


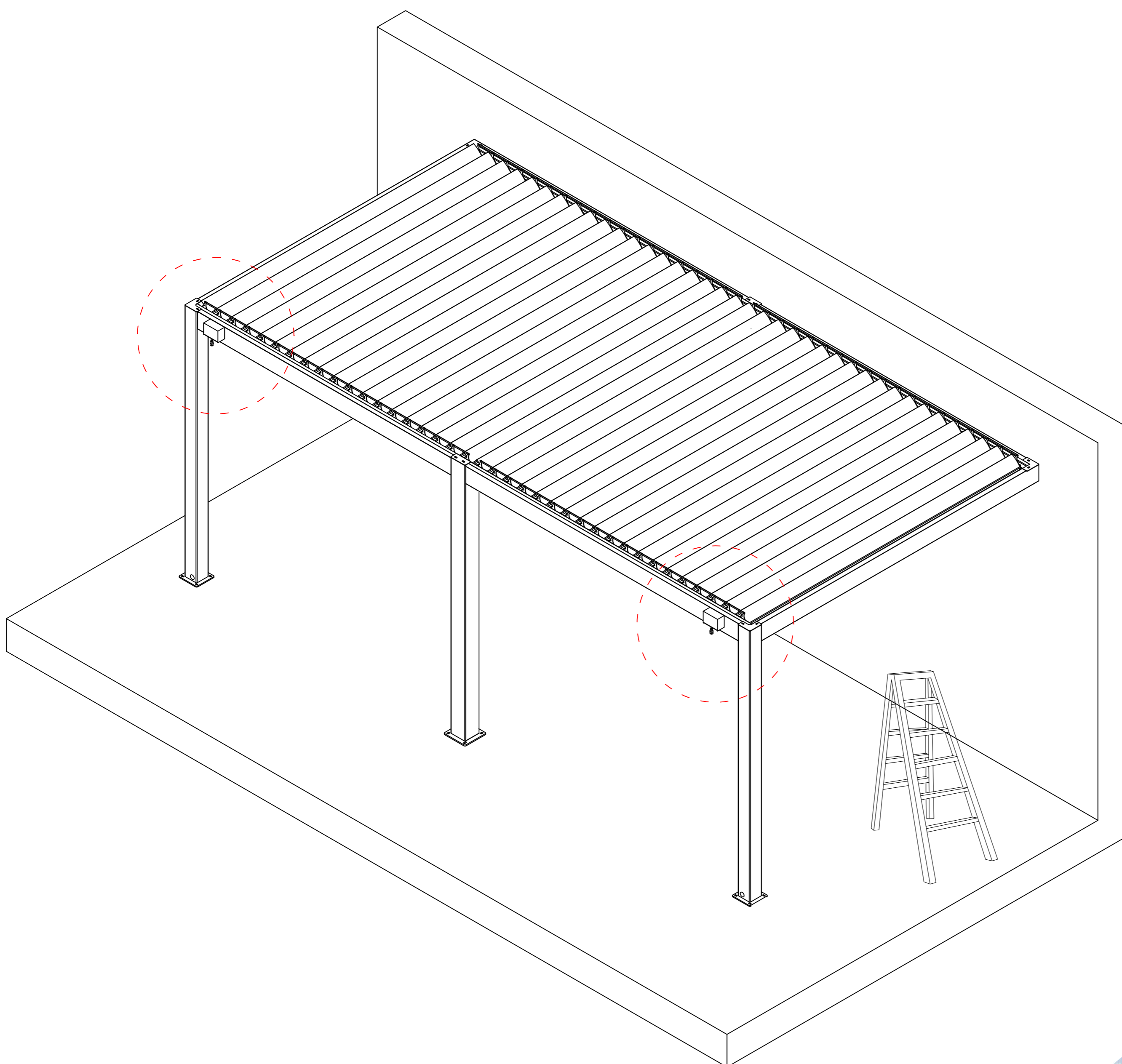
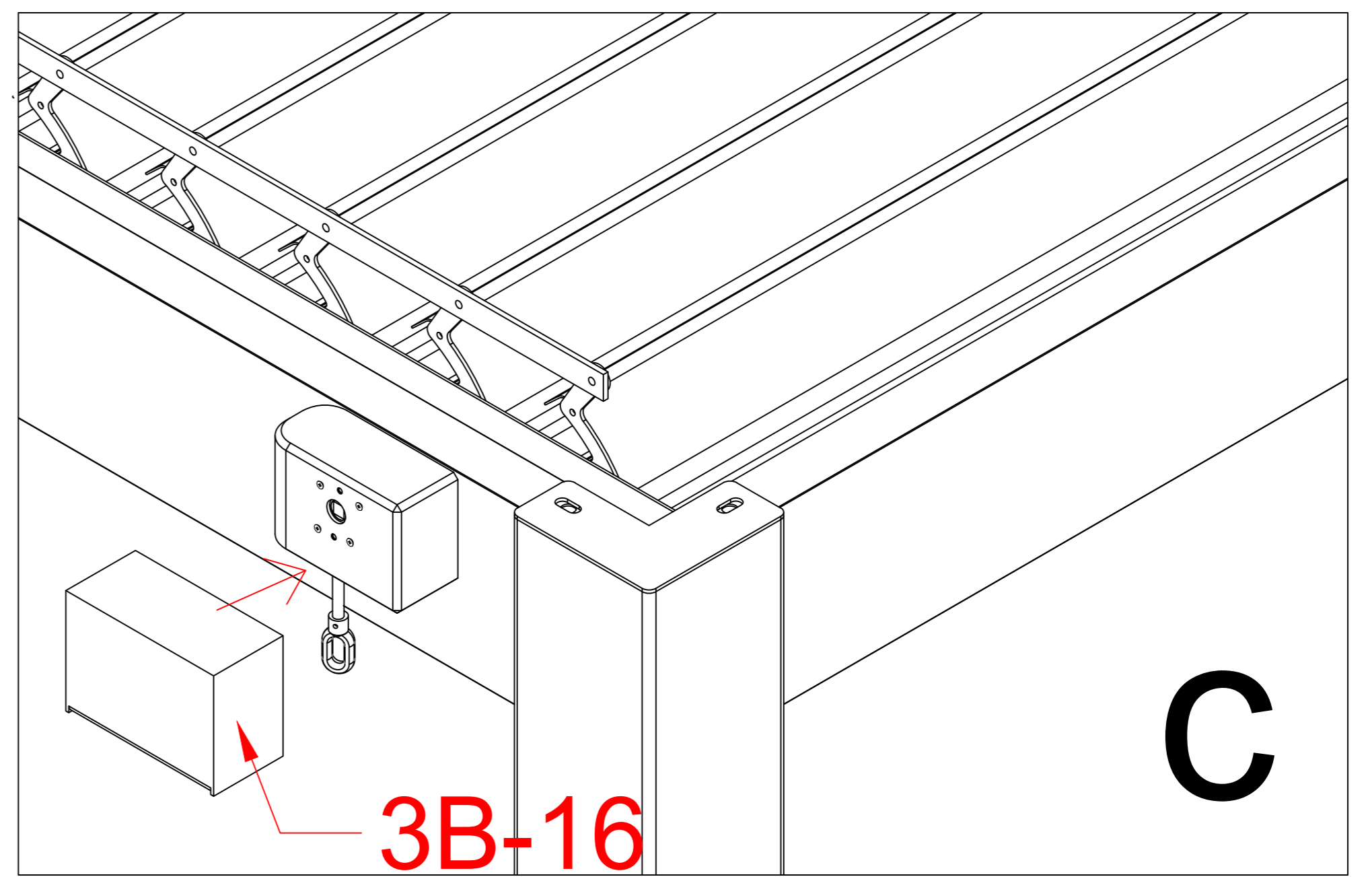
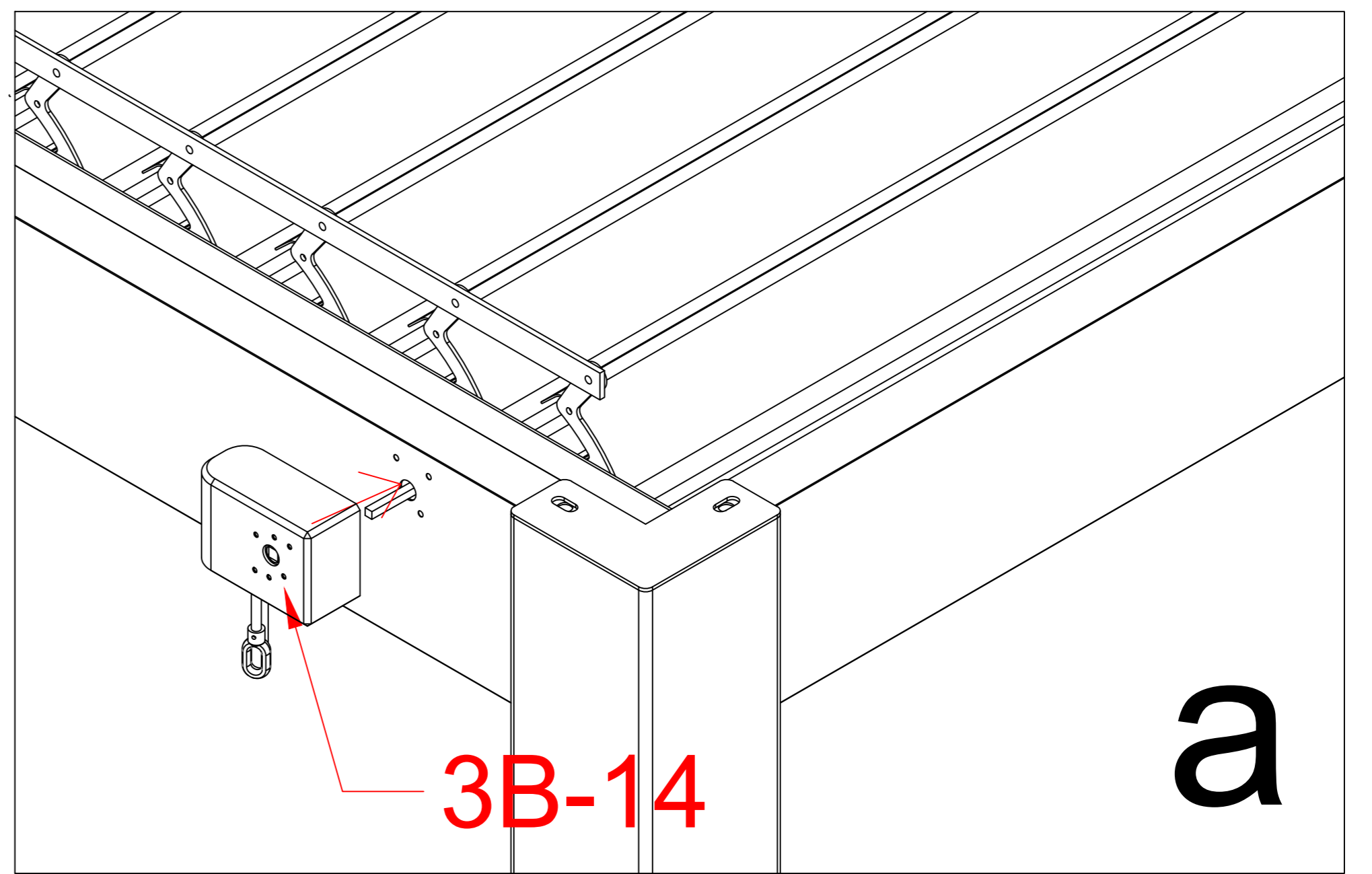
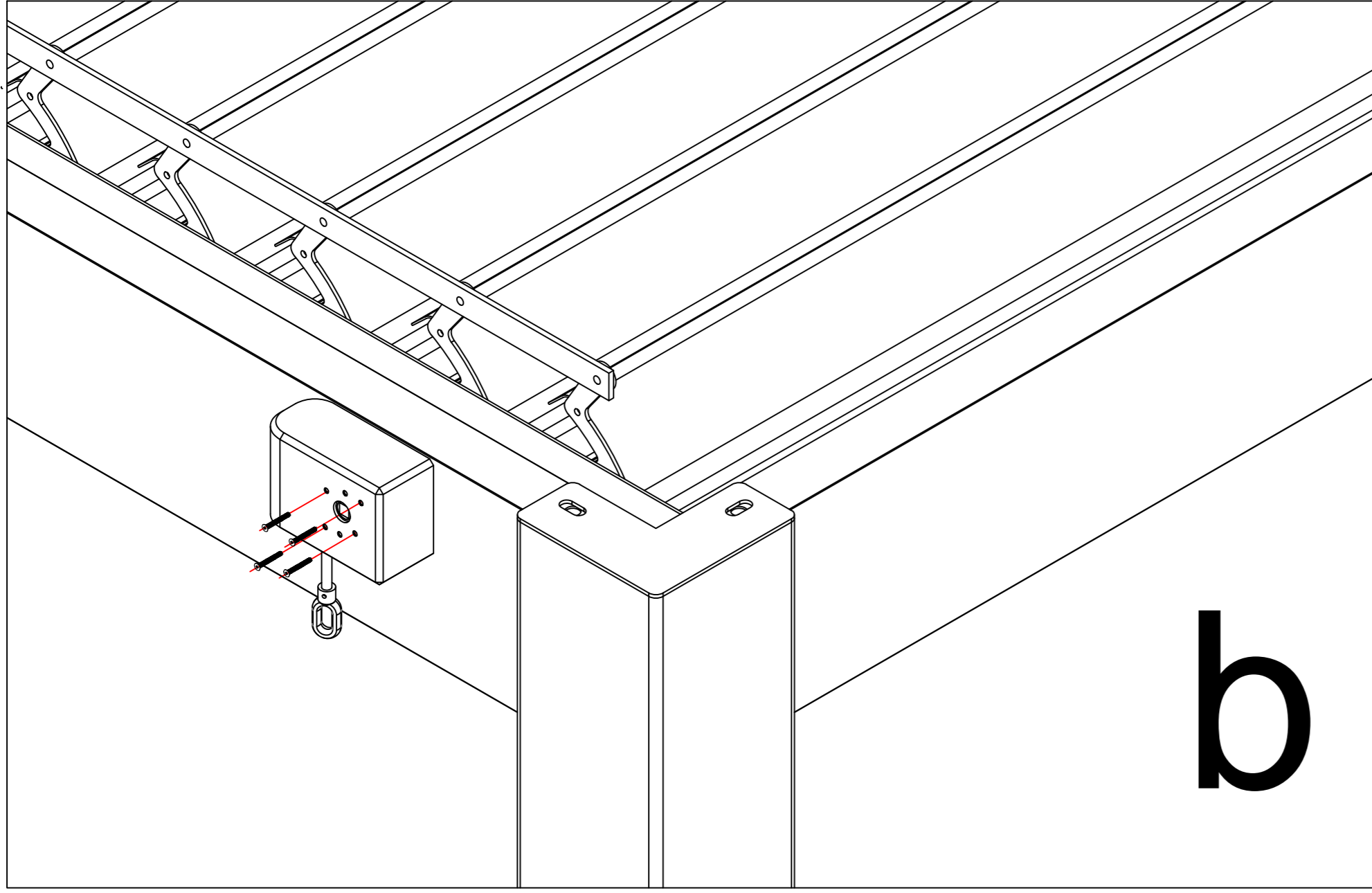


Attention: Please pay attention to differentiation during installation, as the hole positions on both sides are different

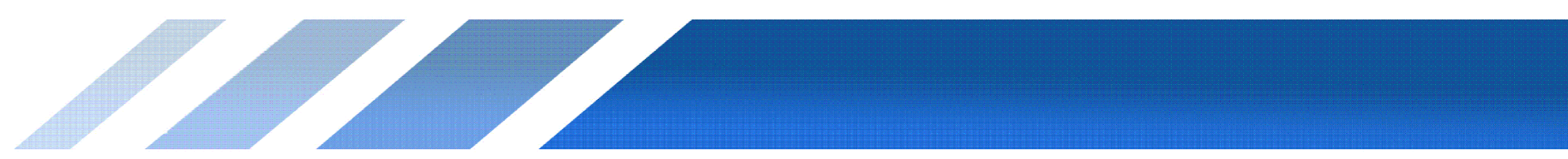


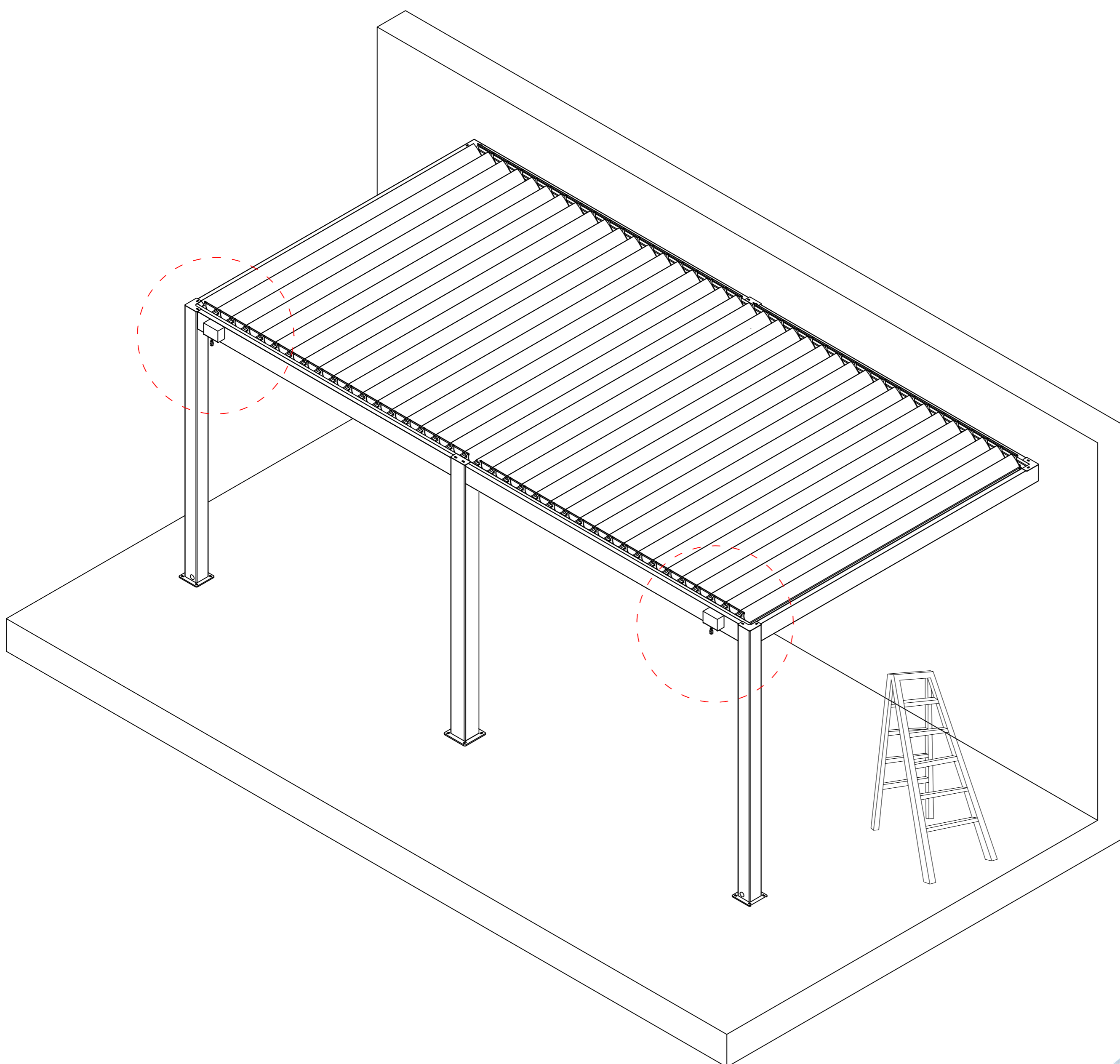
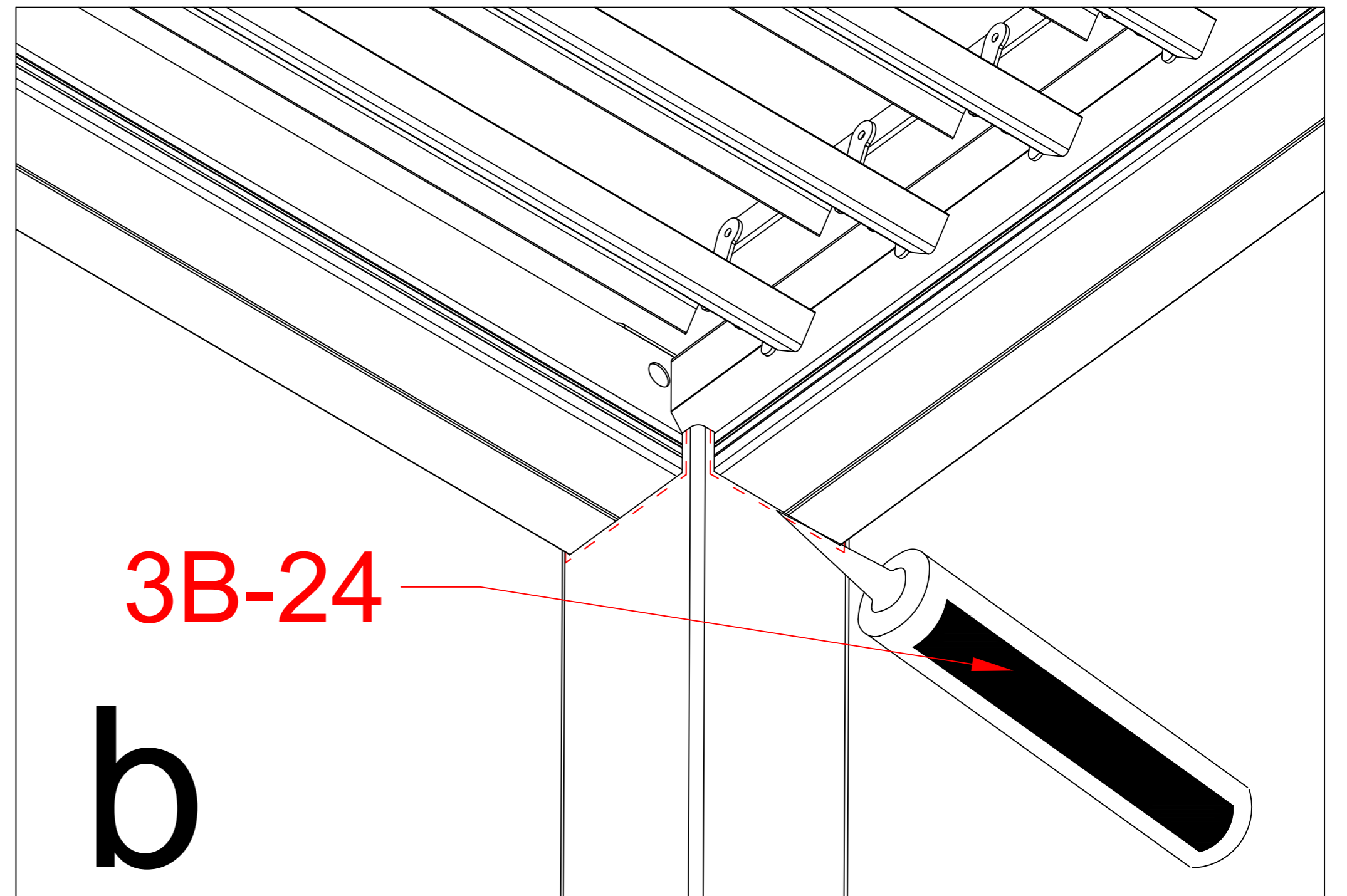
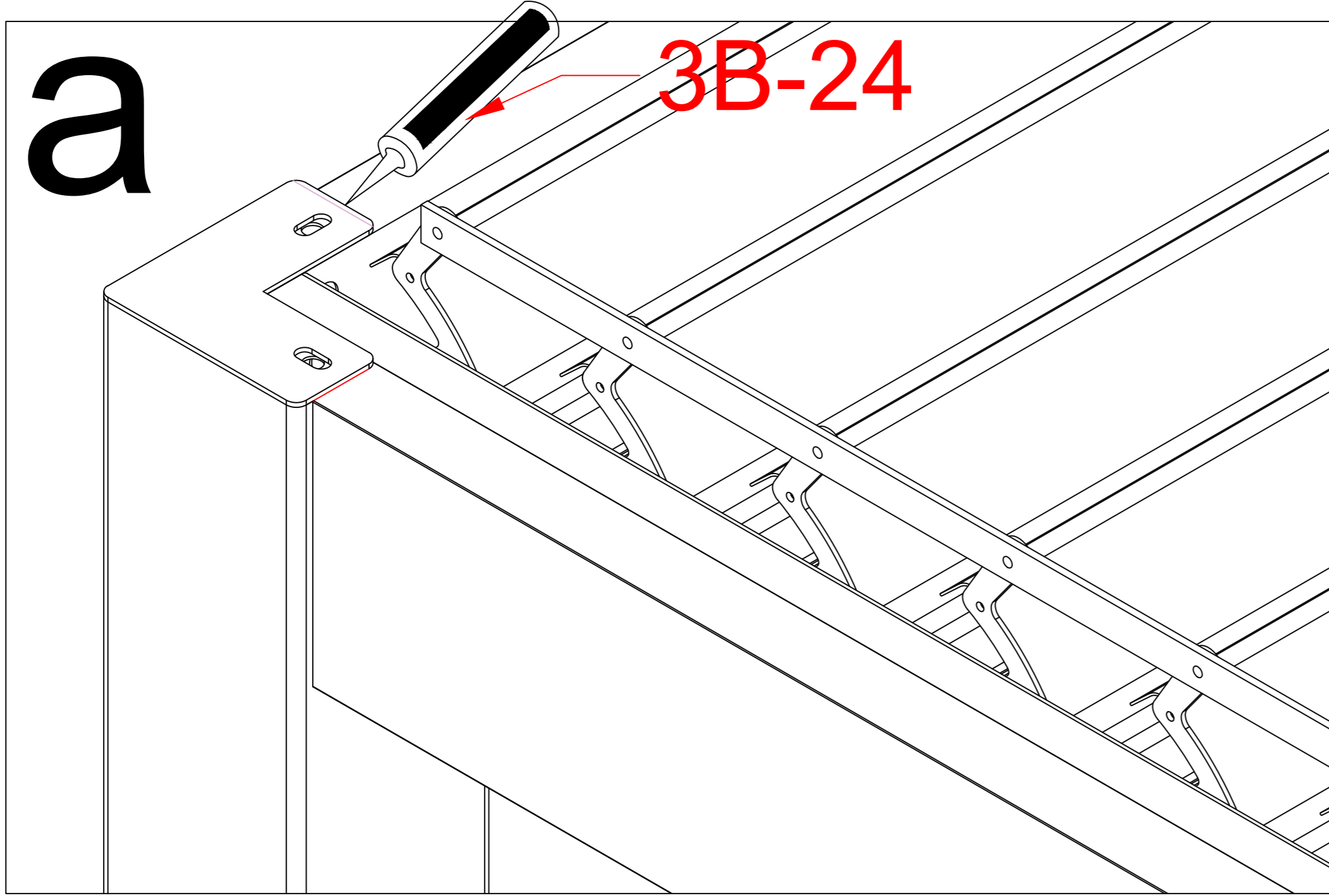
| | | |
|---------|---|----|
| 3B-23 |  | 20 |
| 3B-08-a |  | 1 |
| 3B-08-b |  | 1 |
| 3B-08-c |  | 1 |
| 3B-08-d |  | 1 |

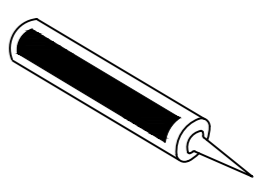


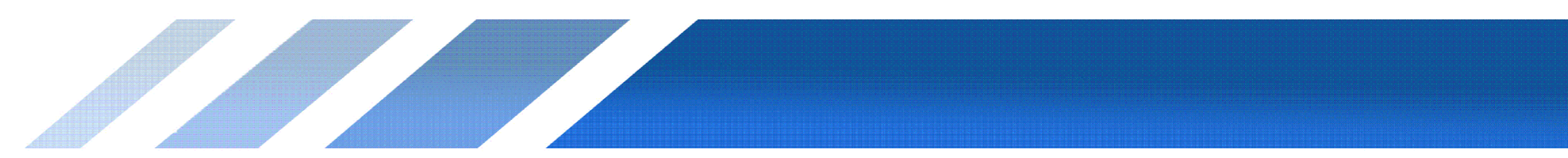


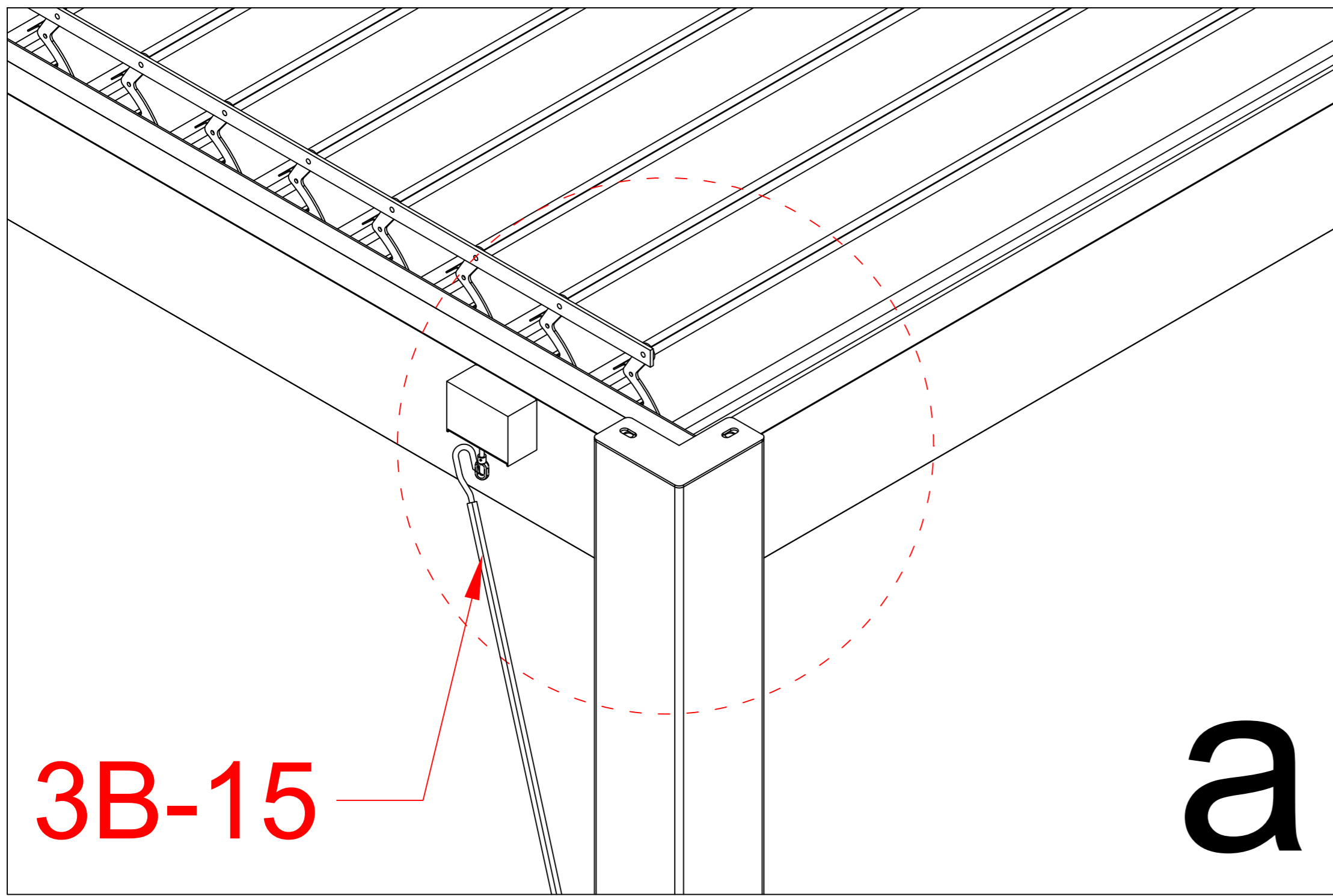
| | | |
|-------|--|---|
| 3B-14 | | 2 |
| 3B-16 | | 2 |





| | | |
|-------|---|---|
| 3B-24 |  | 1 |
|-------|---|---|

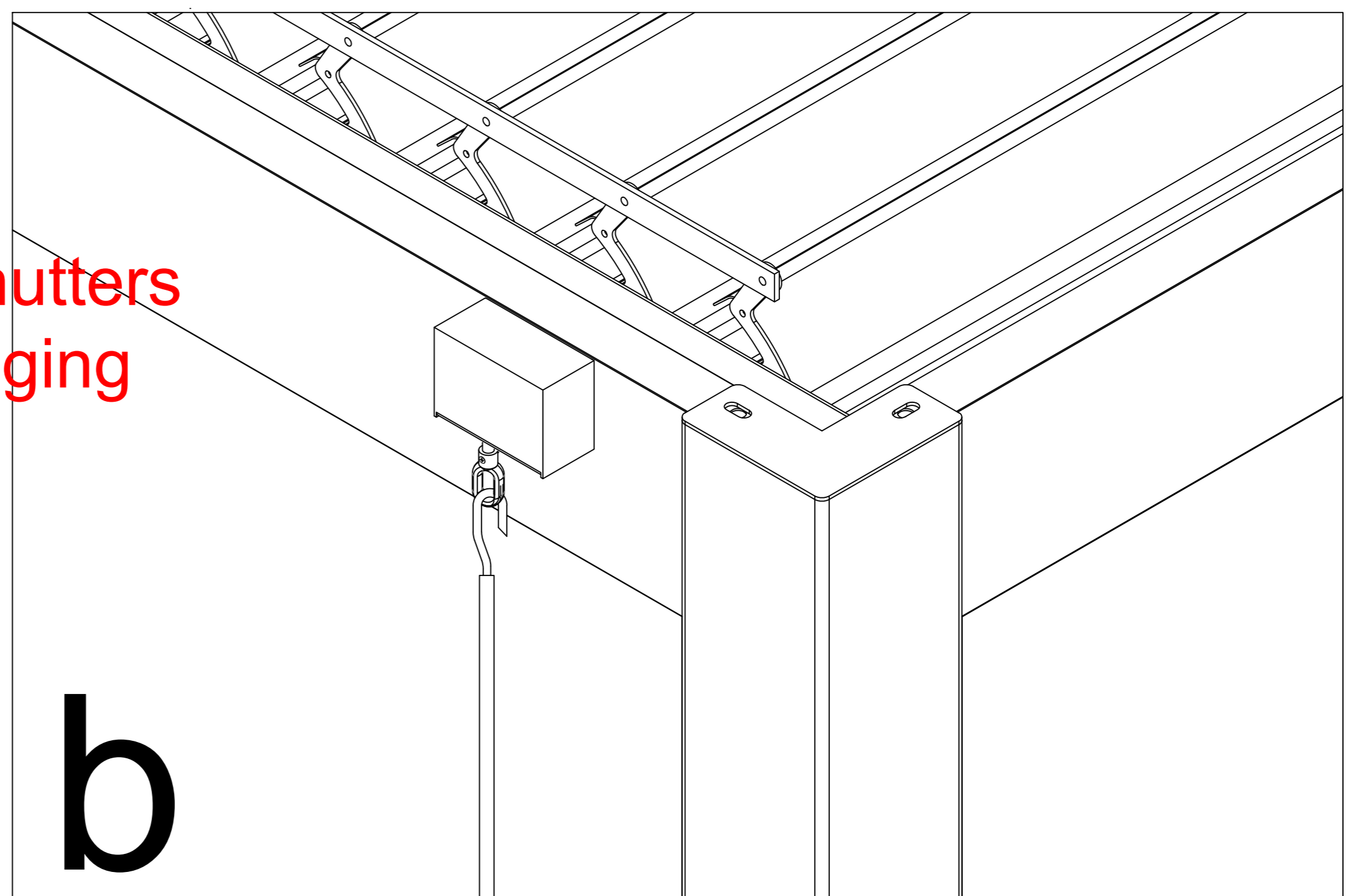




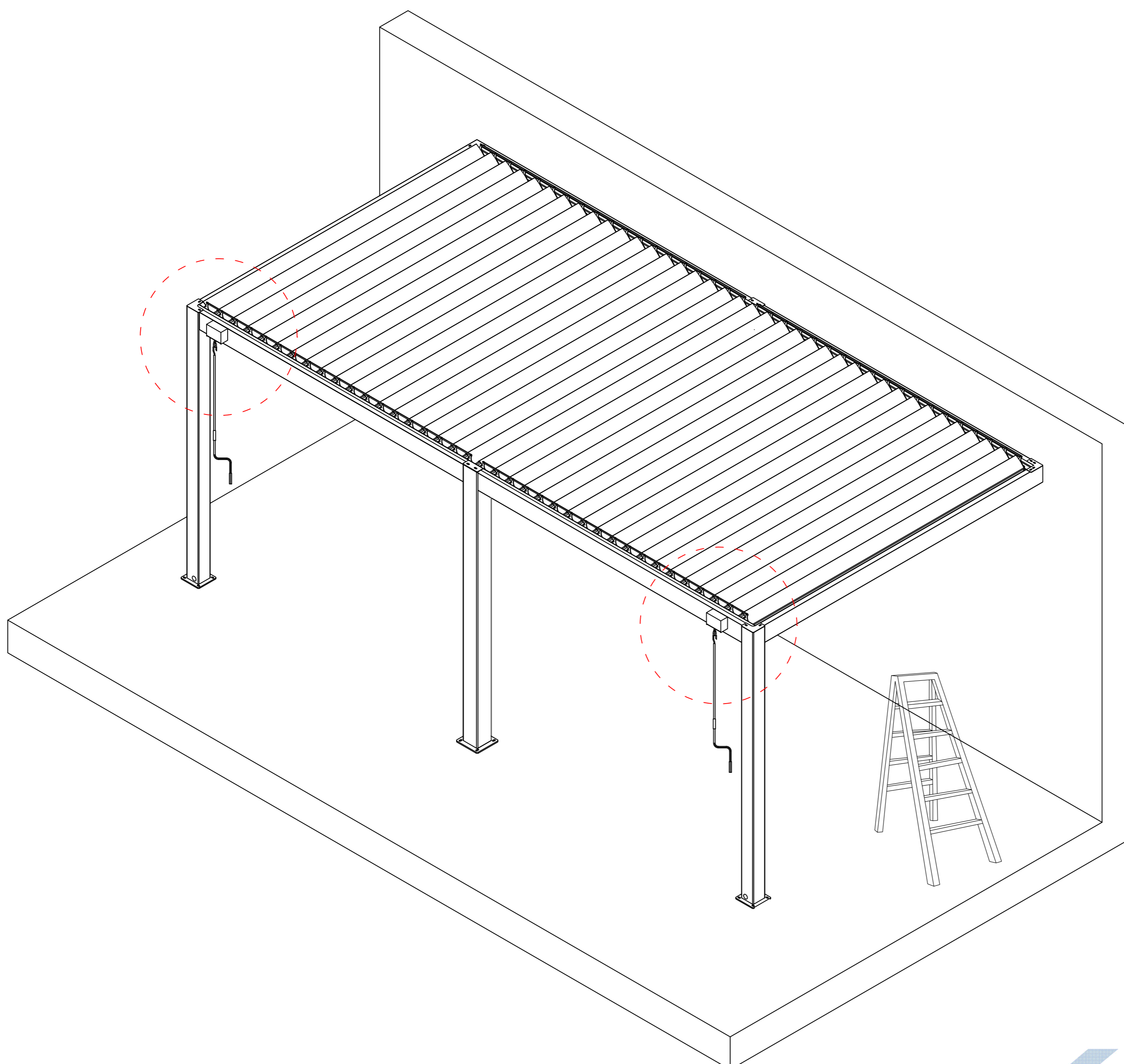
3B-15

a

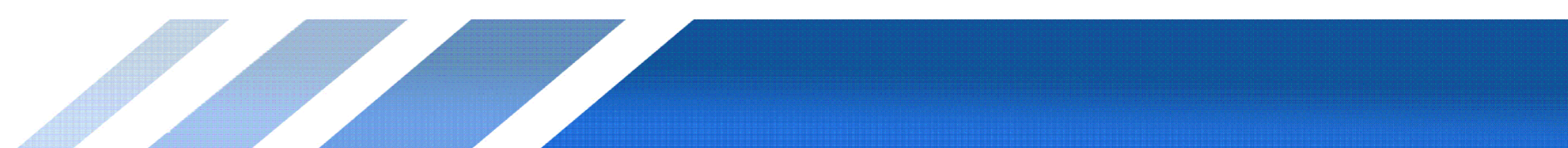
Warning
In Snow / Wind season or in case of
snow / wind forecast open up your shutters
in vertical position to avoid any damaging
on your pergola.



b



| | | |
|-------|--|---|
| 3B-15 | | 2 |
|-------|--|---|





When opening the louver pergola, please first turn on motor 1 in sequence, and then turn on motor 2.
When closing the louver pergola, please first turn off motor 2 in sequence, and then turn off motor 1.

