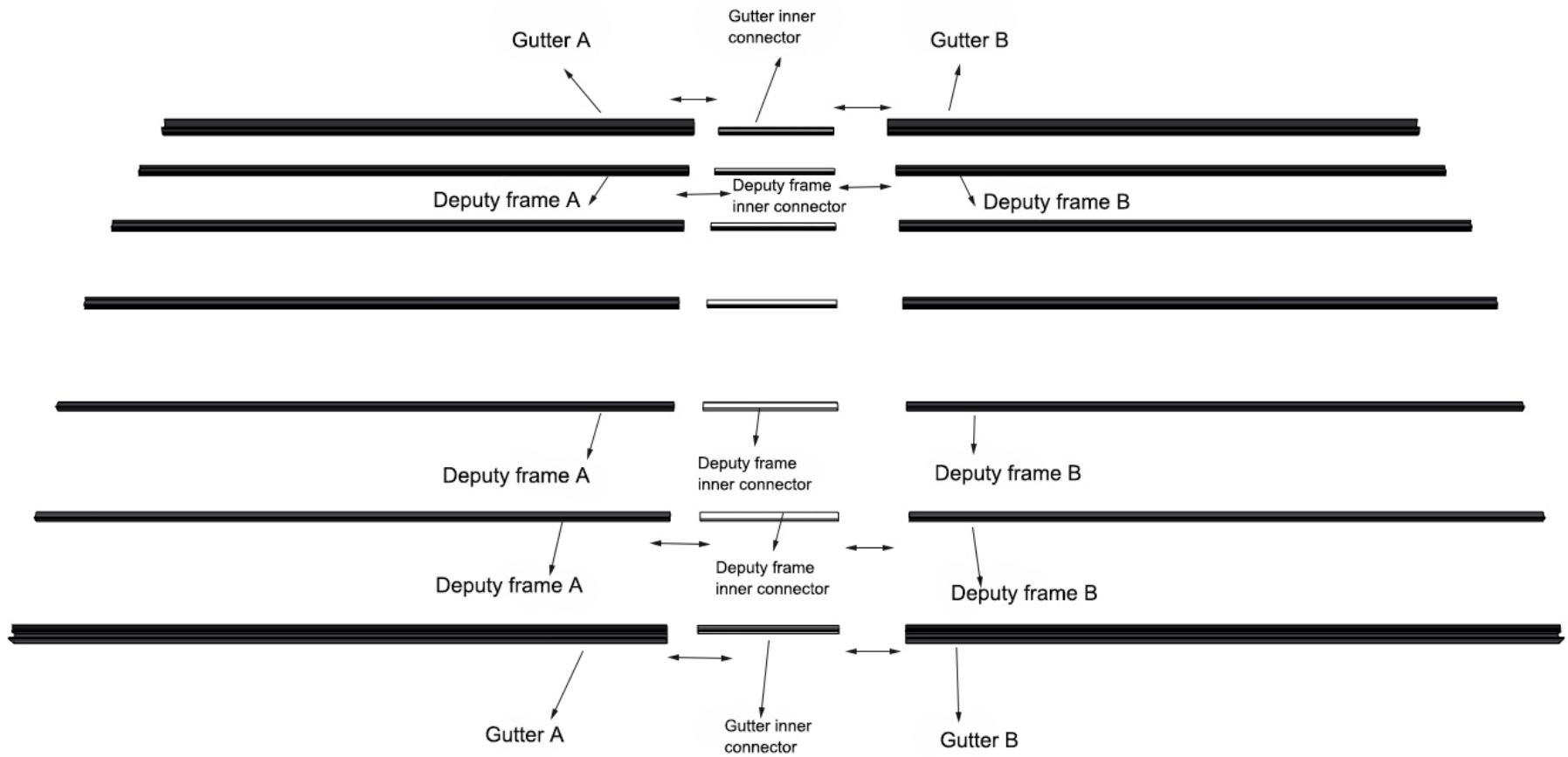
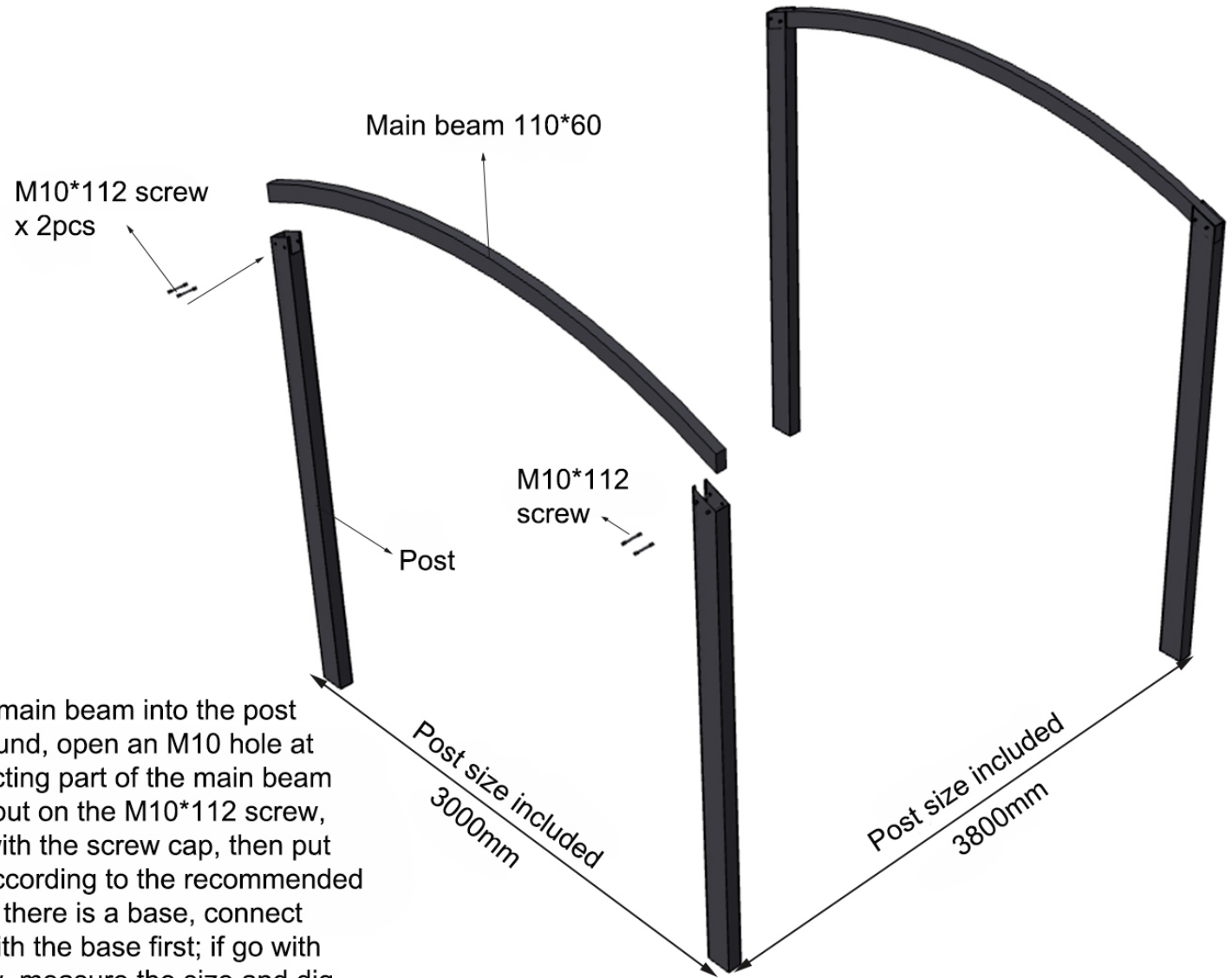


# M-type Single Carport Installation Manual

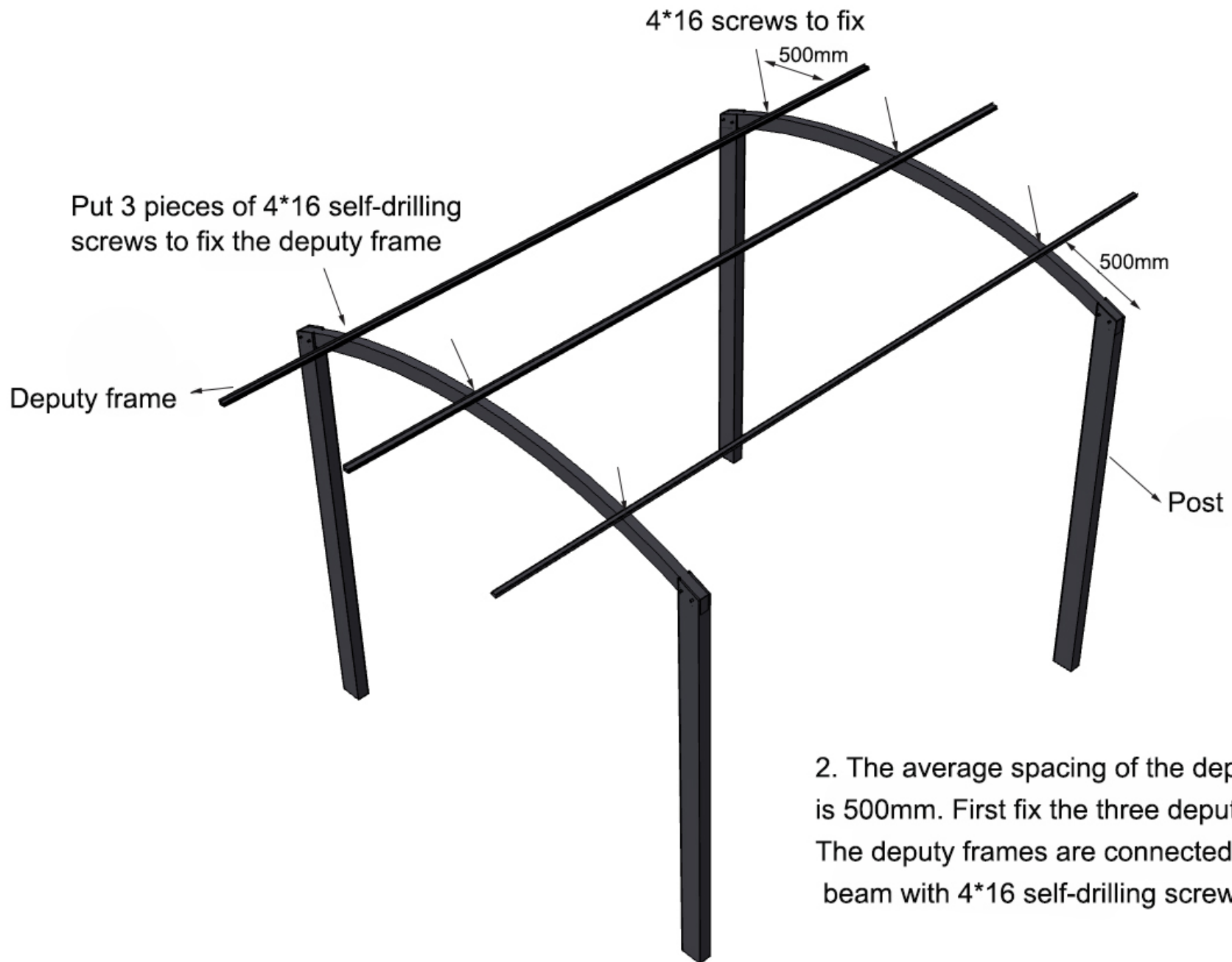




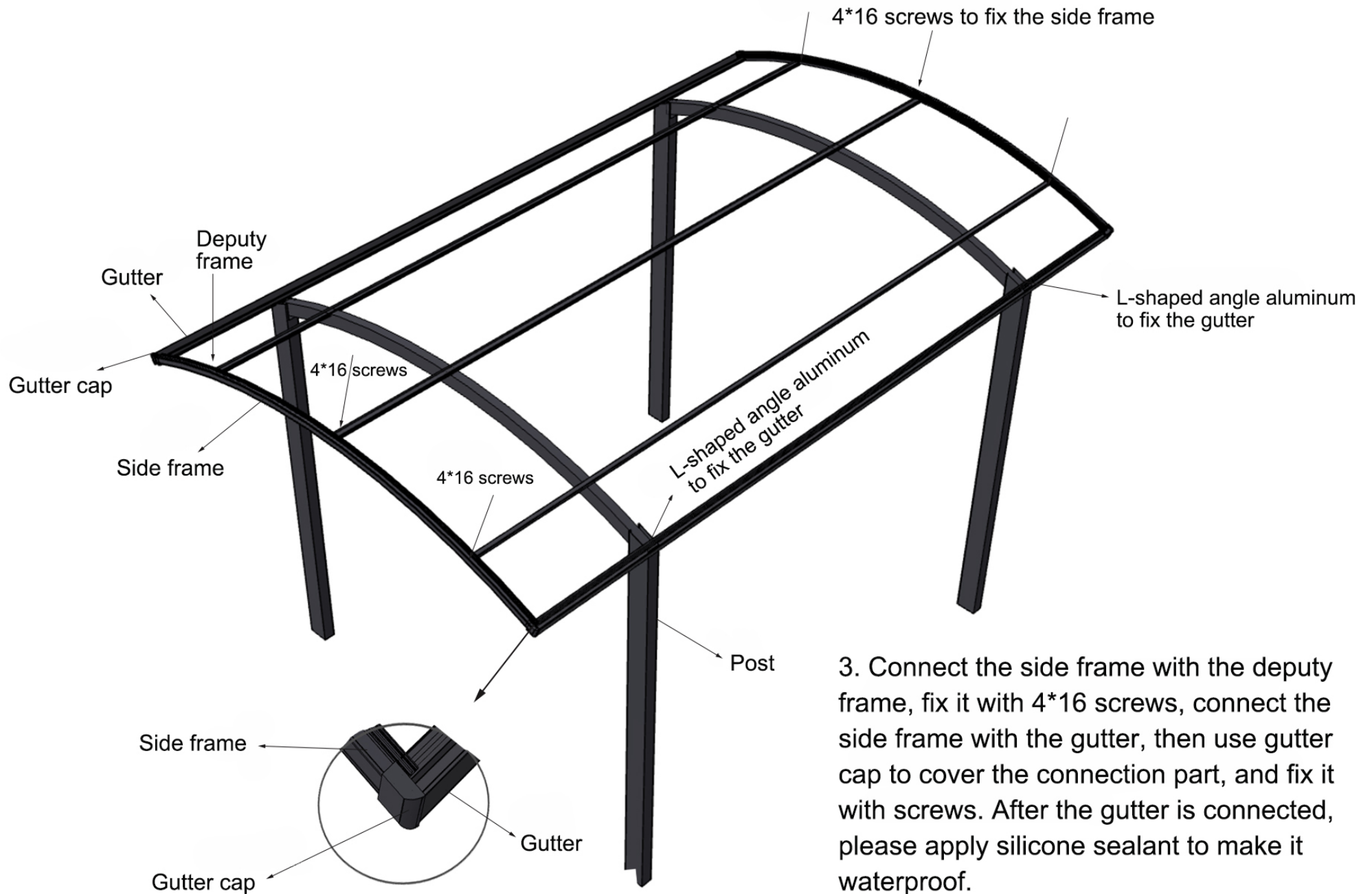
Gutter/Deputy frame splicing: fix the inner connector with 4\*16 screws



1. Put the main beam into the post on the ground, open an M10 hole at the connecting part of the main beam and post, put on the M10\*112 screw, tighten it with the screw cap, then put the post according to the recommended spacing (if there is a base, connect the post with the base first; if go with buried way, measure the size and dig a hole. The size of the hole is 50cm\*50cm\*50cm)

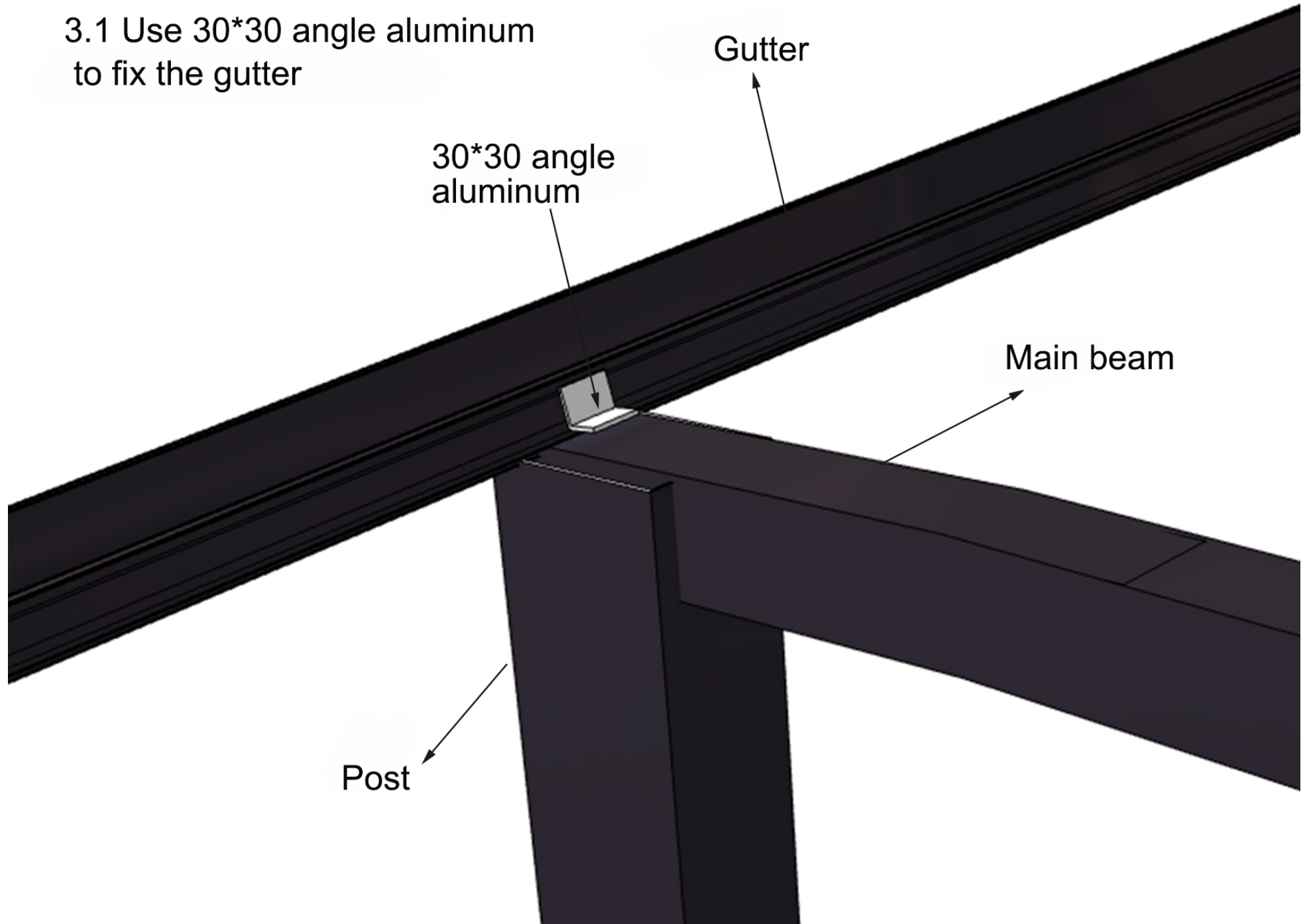


2. The average spacing of the deputy frames is 500mm. First fix the three deputy frames. The deputy frames are connected to the main beam with 4\*16 self-drilling screws.



3. Connect the side frame with the deputy frame, fix it with 4\*16 screws, connect the side frame with the gutter, then use gutter cap to cover the connection part, and fix it with screws. After the gutter is connected, please apply silicone sealant to make it waterproof.

3.1 Use 30\*30 angle aluminum to fix the gutter

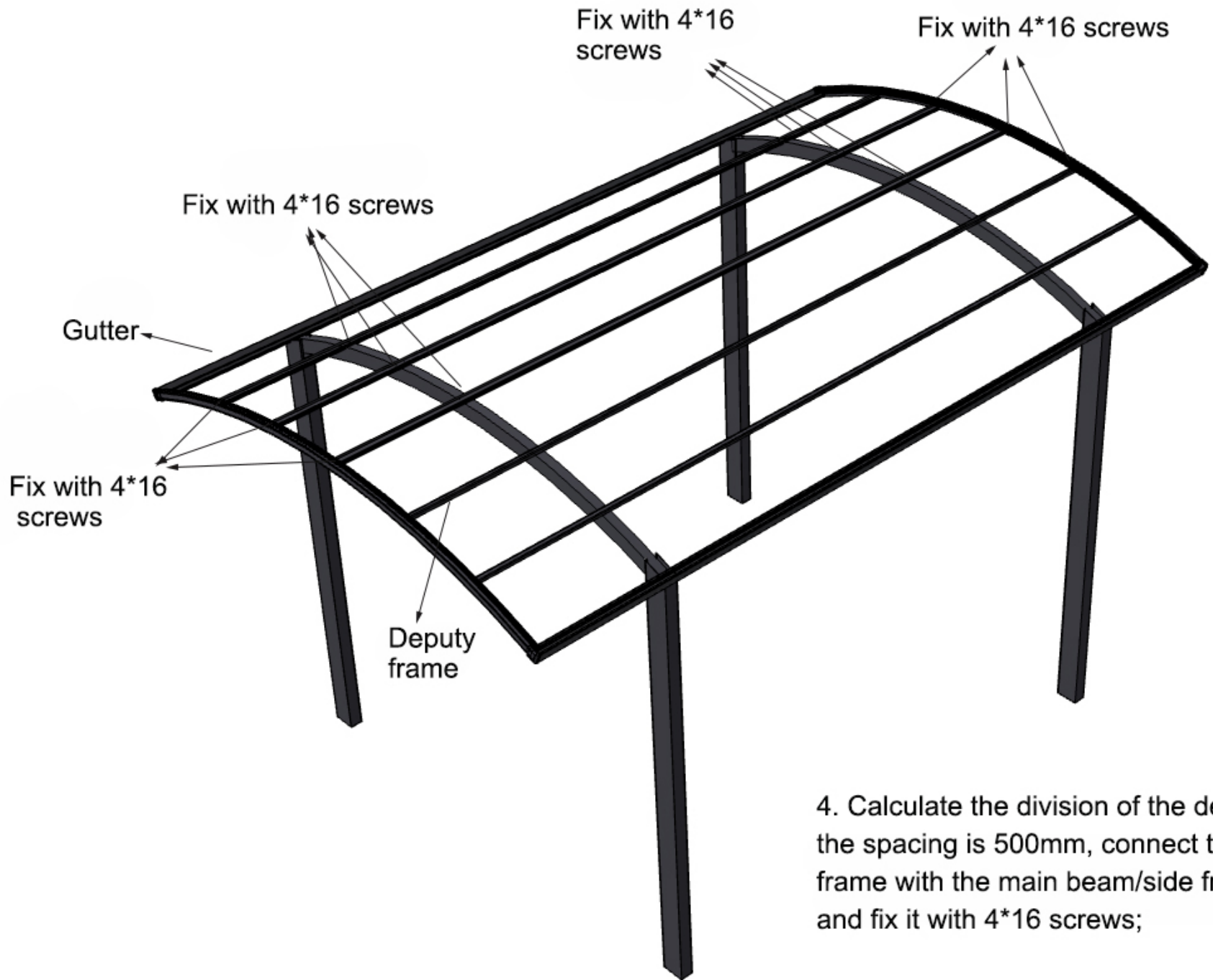


Gutter

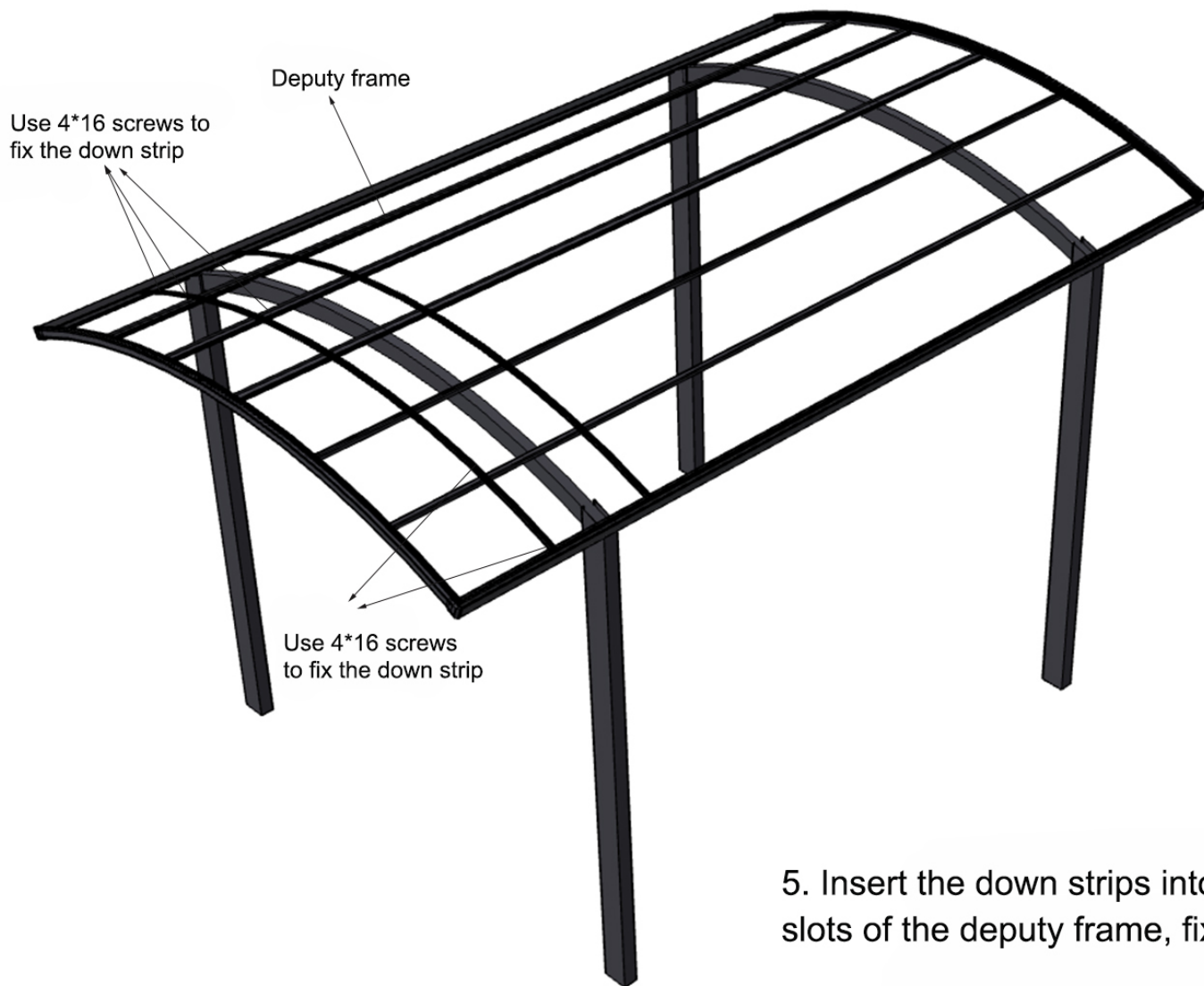
30\*30 angle  
aluminum

Main beam

Post

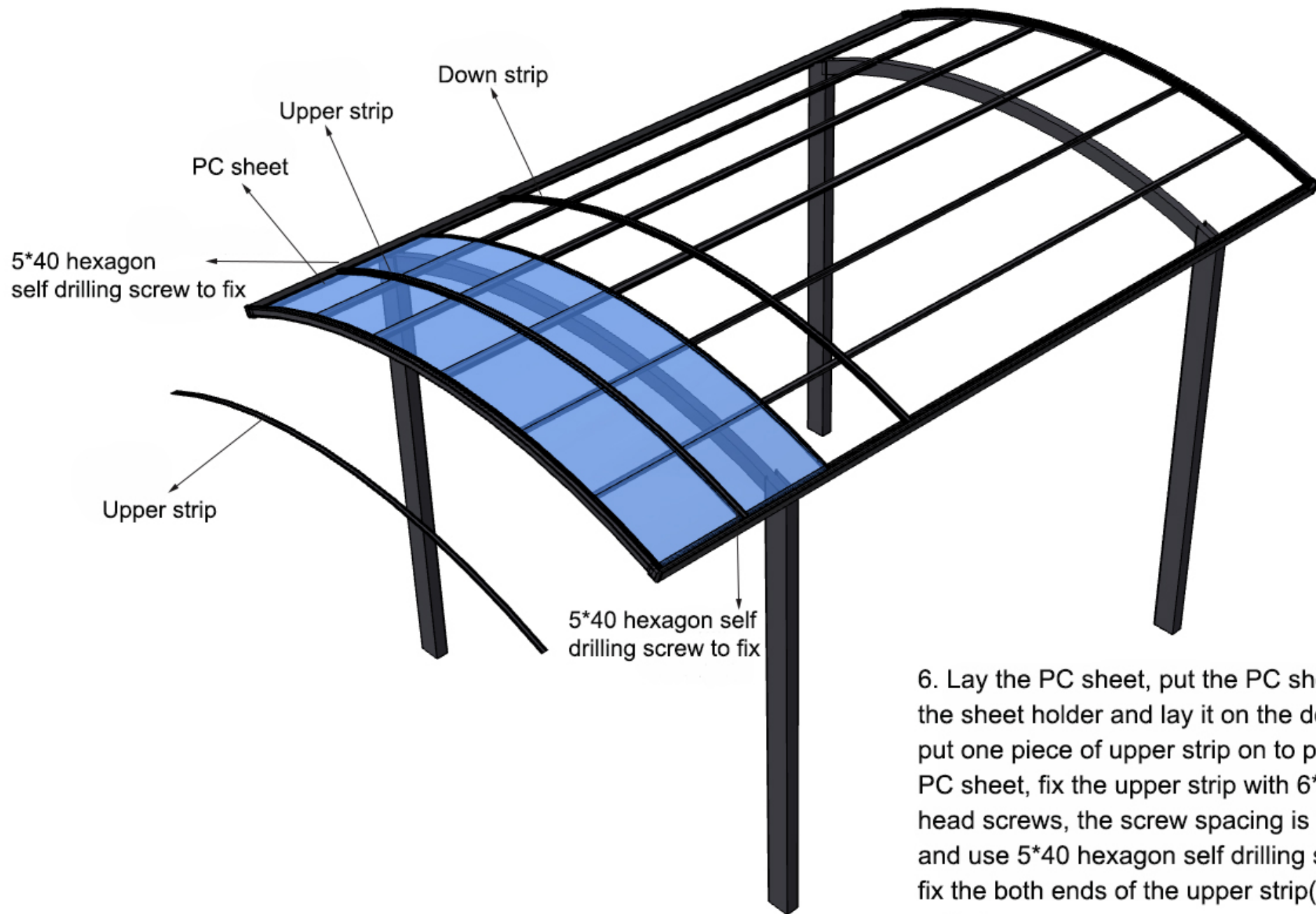


4. Calculate the division of the deputy frames, the spacing is 500mm, connect the deputy frame with the main beam/side frame in turn, and fix it with 4\*16 screws;

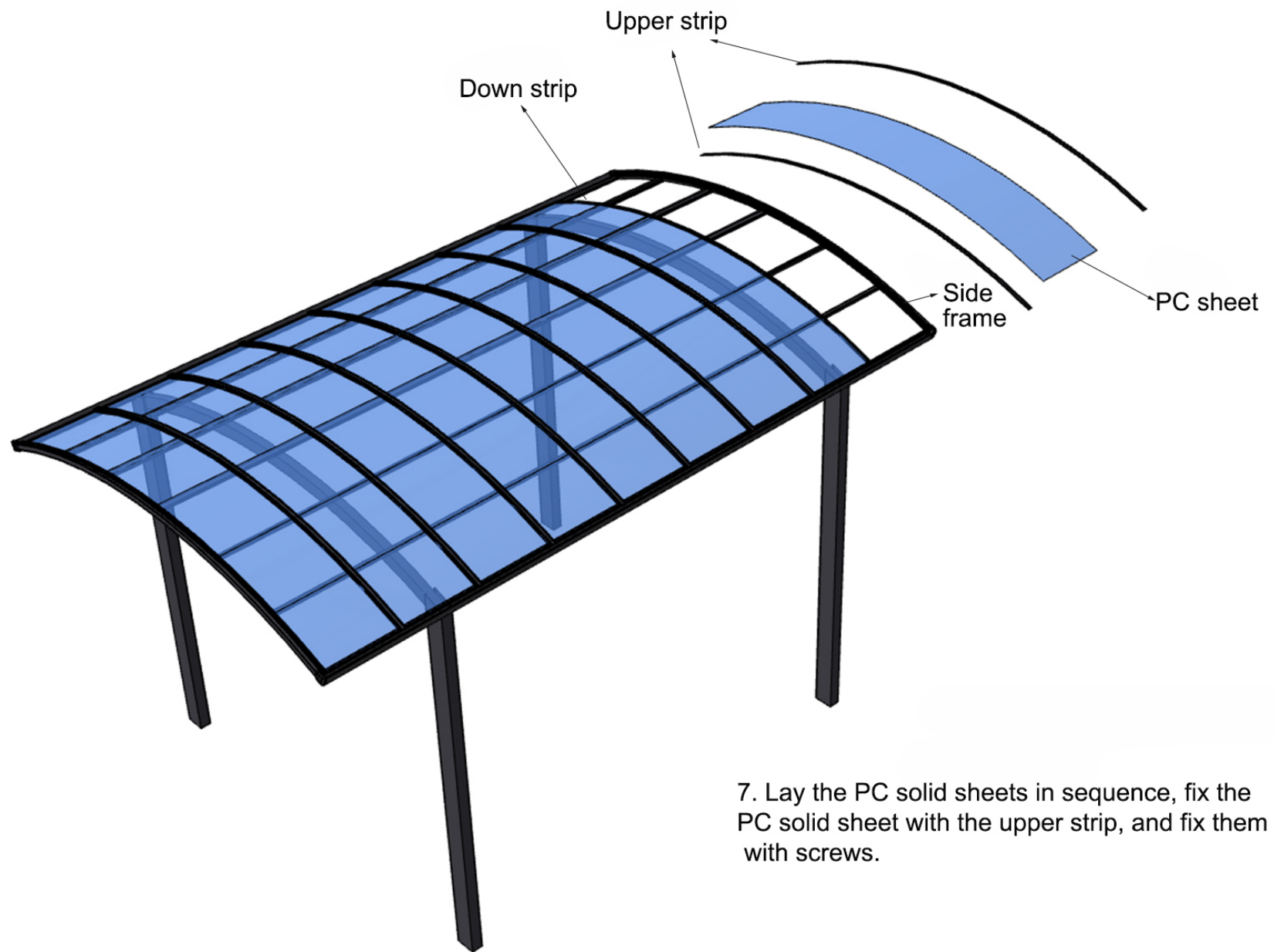


5. Insert the down strips into the pre-punched slots of the deputy frame, fix it with 4\*16 screws,

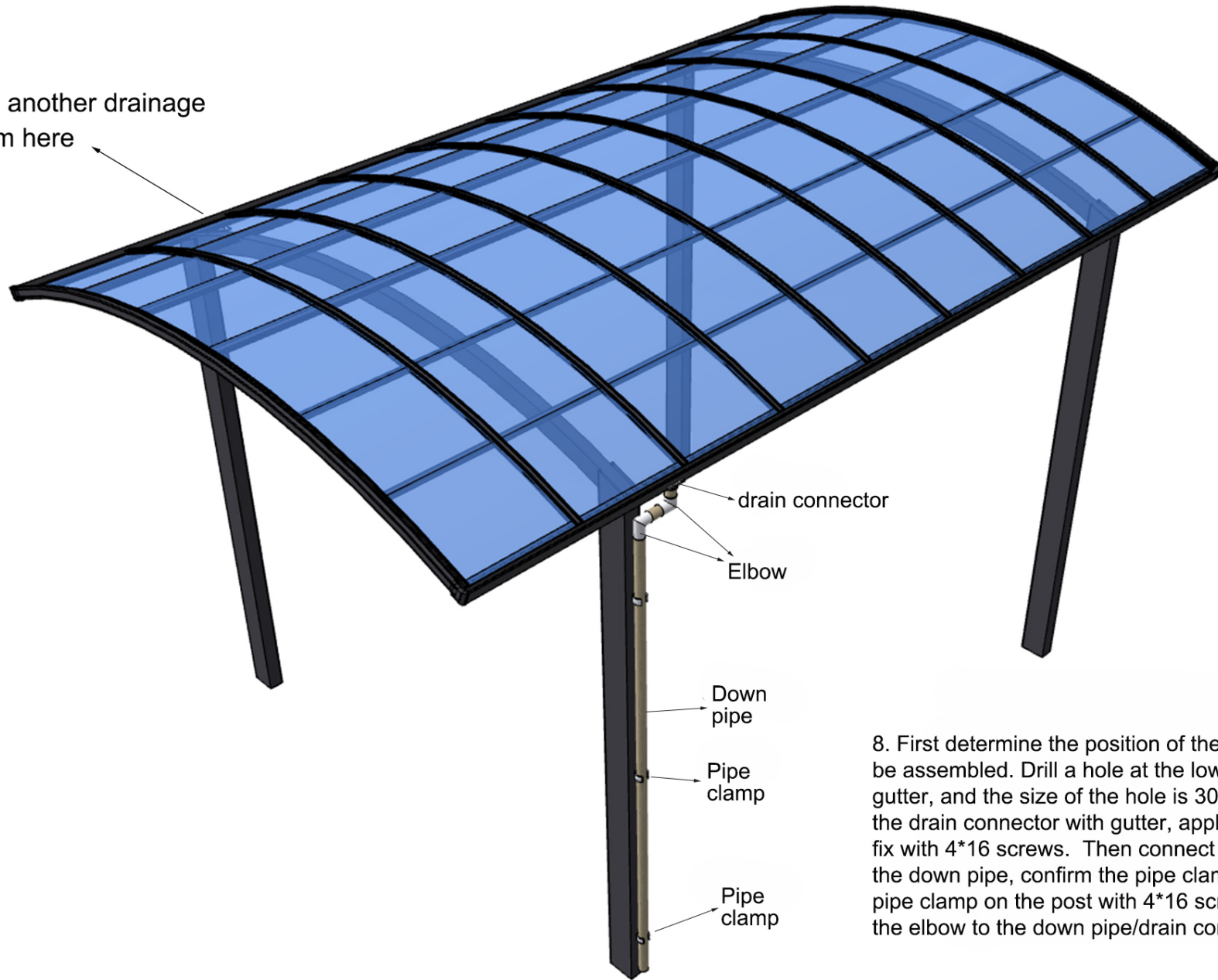




6. Lay the PC sheet, put the PC sheet into the sheet holder and lay it on the down strip, put one piece of upper strip on to press the PC sheet, fix the upper strip with 6\*12 big head screws, the screw spacing is 20-25 cm, and use 5\*40 hexagon self drilling screws to fix the both ends of the upper strip(Near the gutter)



Install another drainage system here



8. First determine the position of the water pipe to be assembled. Drill a hole at the lower end of the gutter, and the size of the hole is 30mm. Connect the drain connector with gutter, apply silicone sealant, fix with 4\*16 screws. Then connect 2 elbows, connect the down pipe, confirm the pipe clamp position, fix the pipe clamp on the post with 4\*16 screws, and connect the elbow to the down pipe/drain connector.



After Assembly