

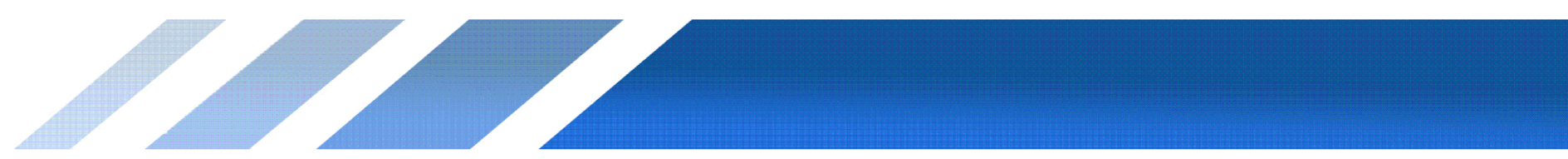
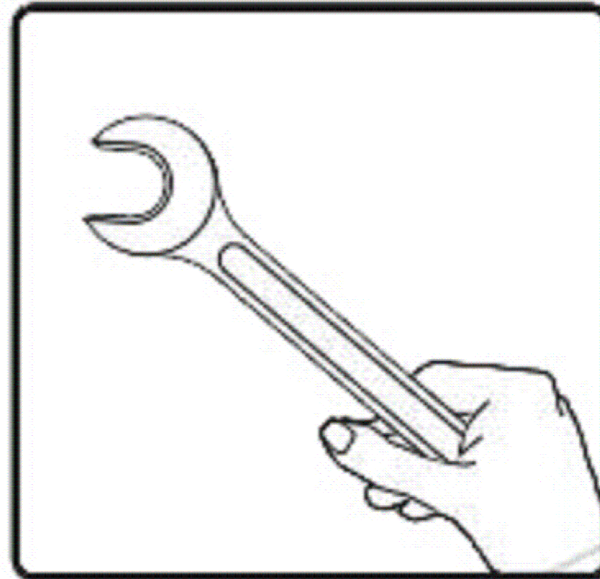
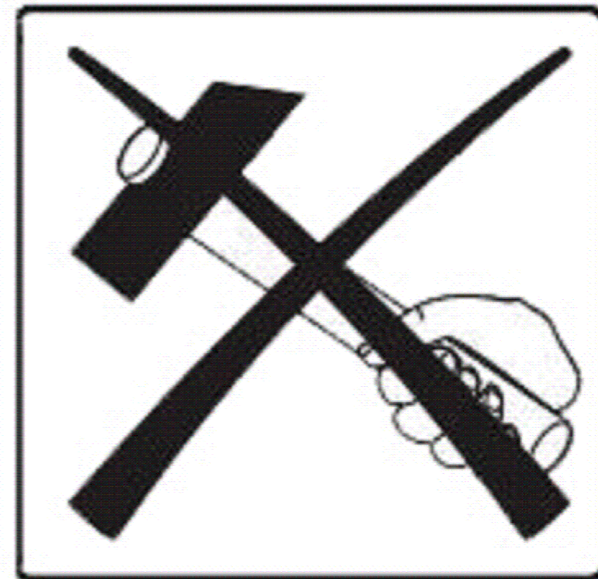
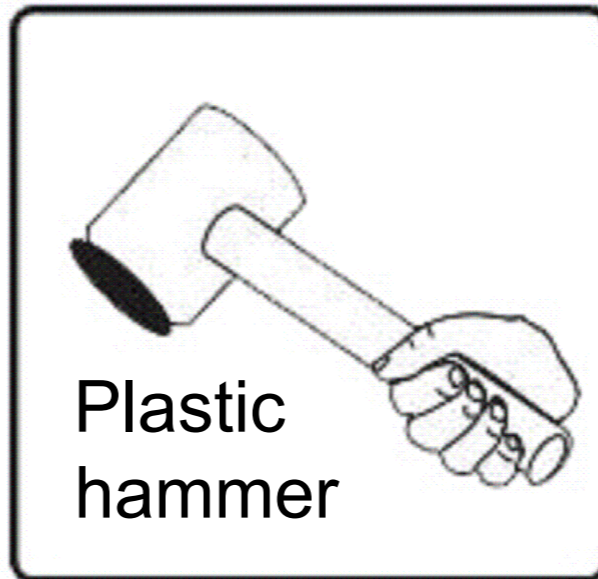
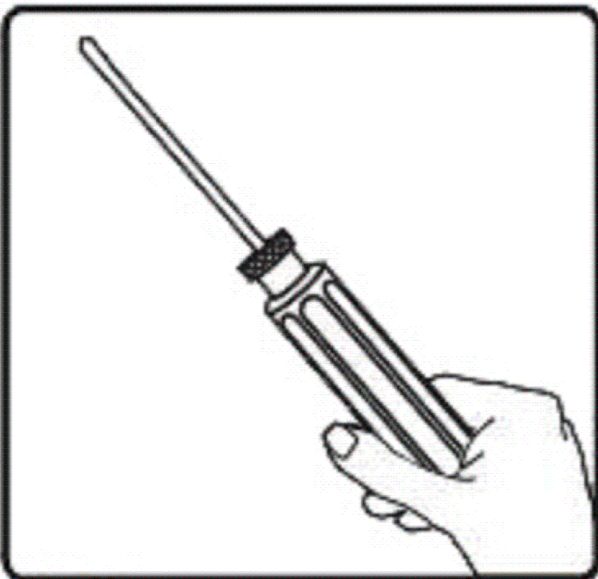
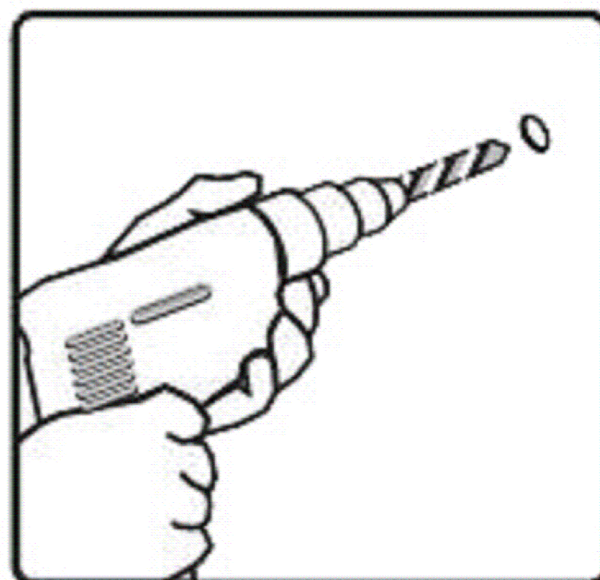
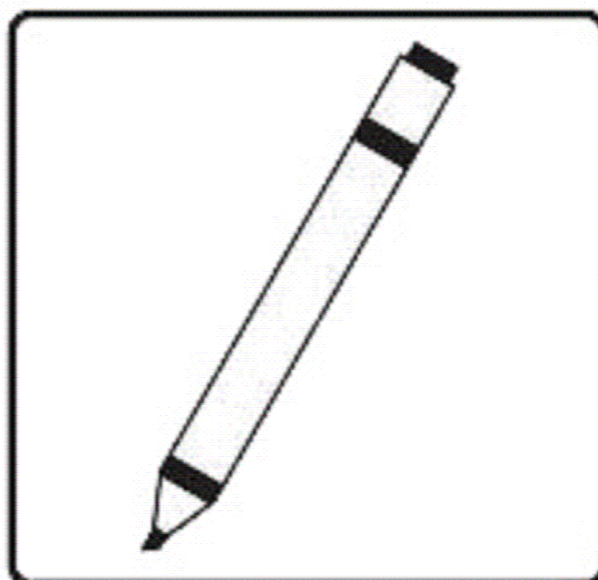
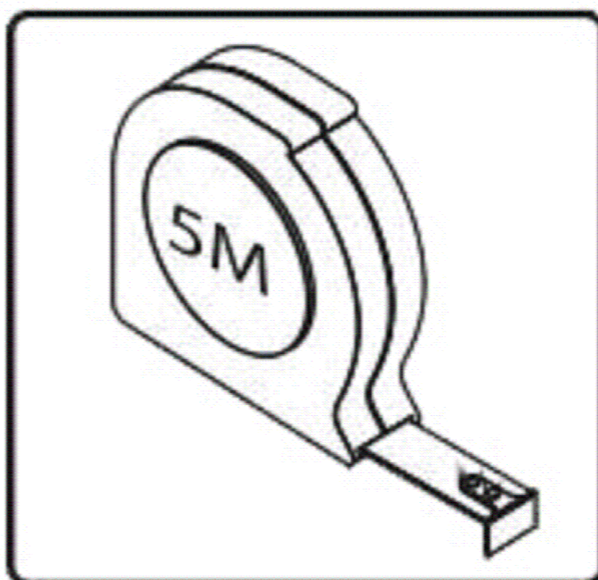
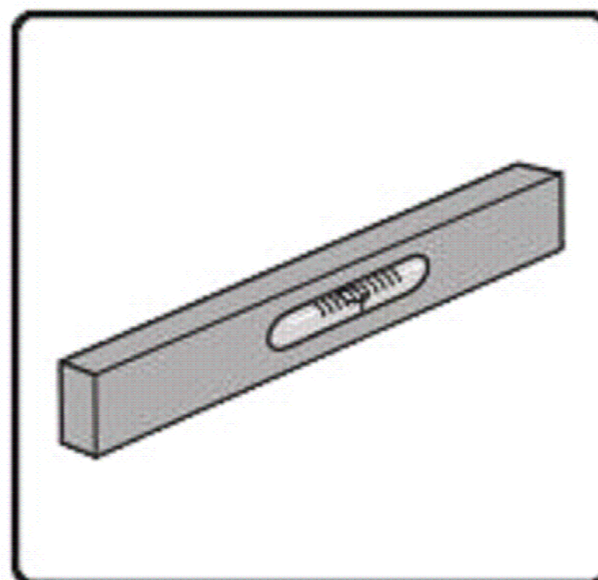
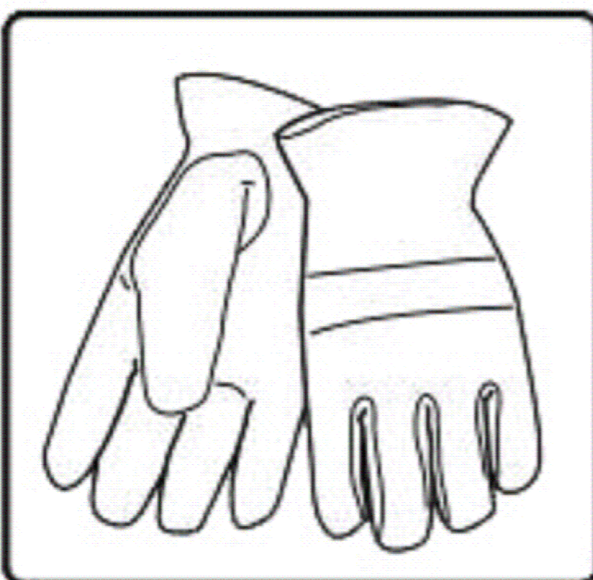
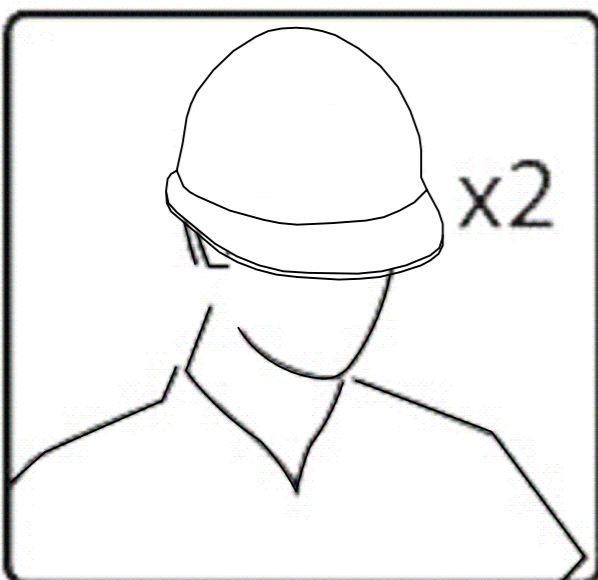
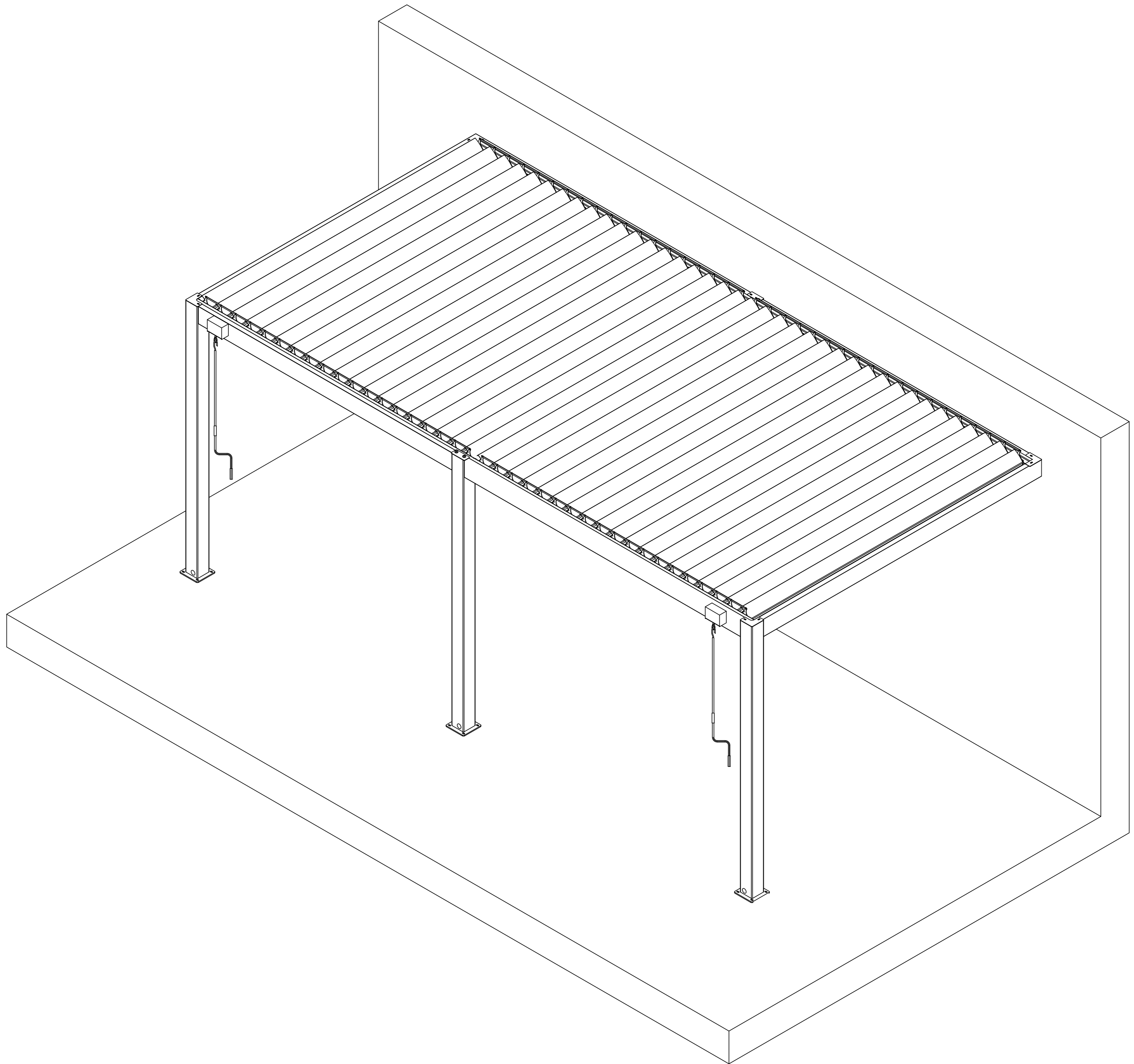


LIVING CULTURE

## MANUAL PERGOLA WALL MOUNTED 2 POSTS

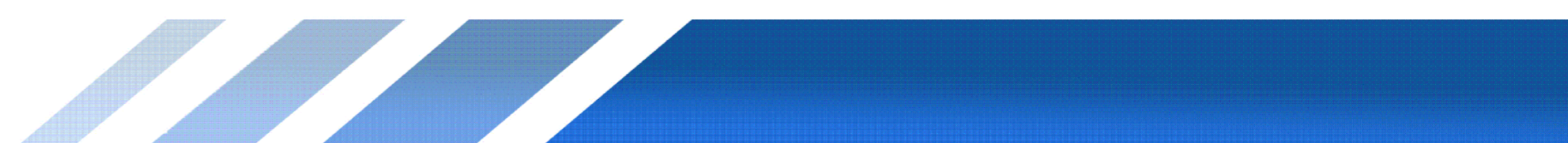
**6x2m**



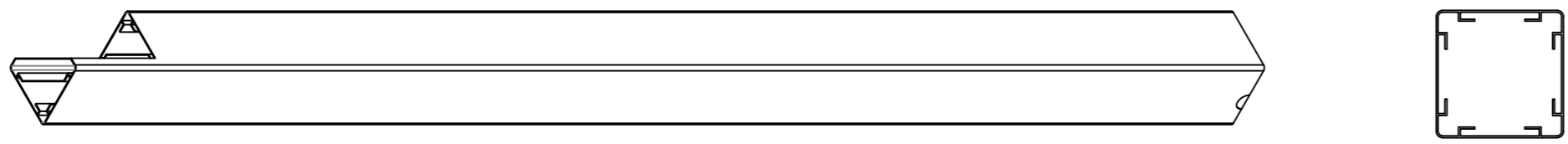
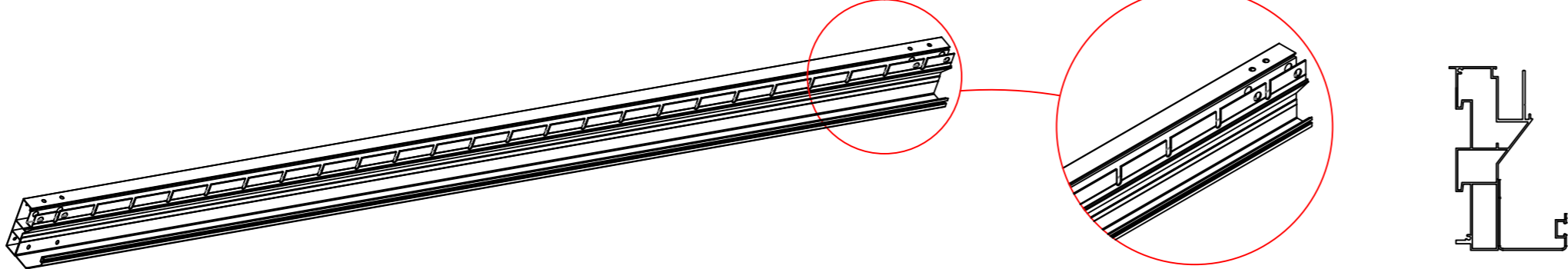
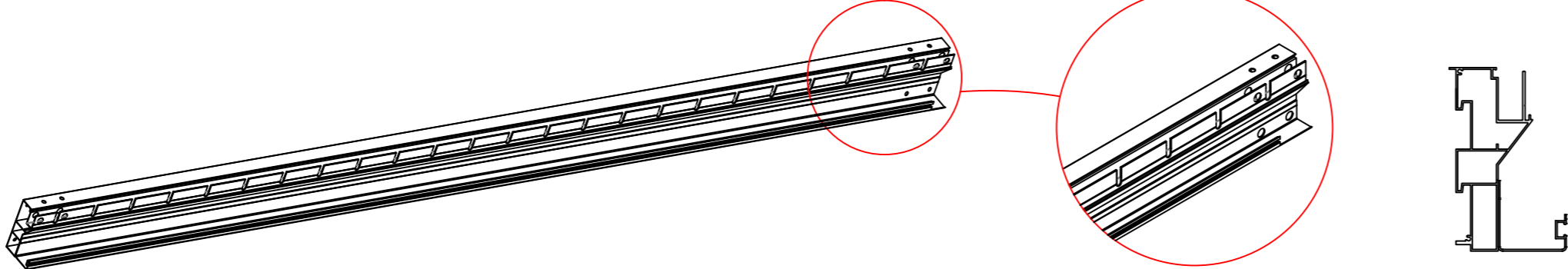
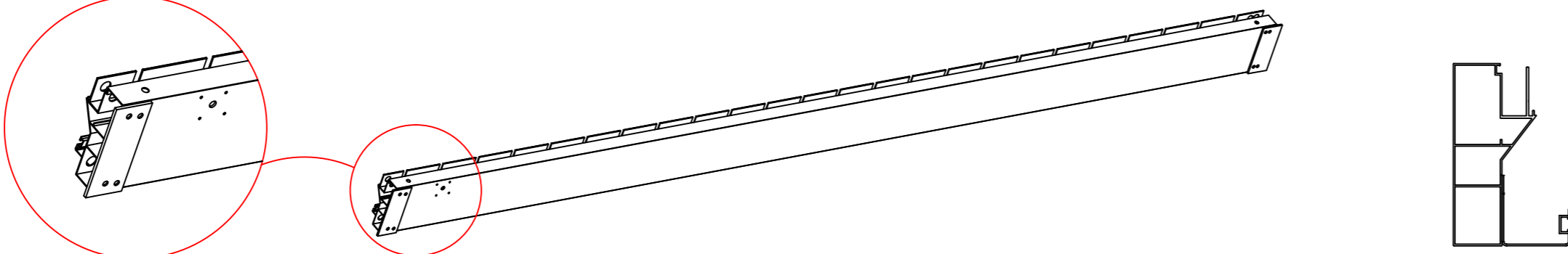
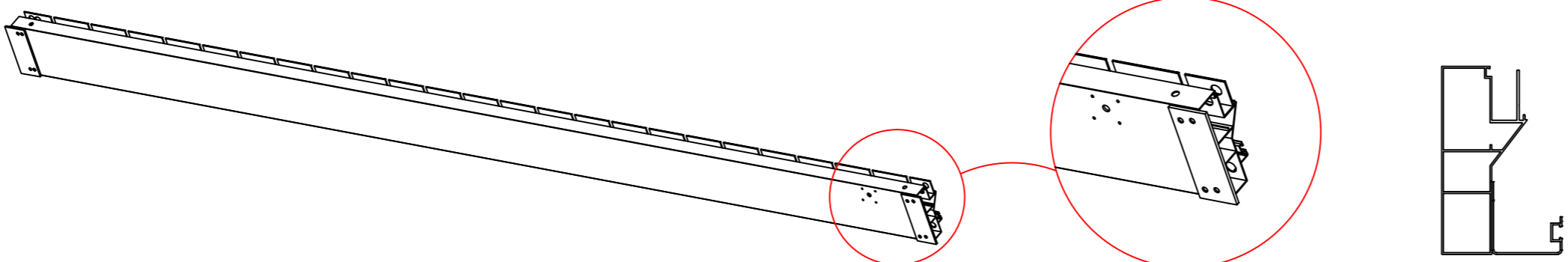
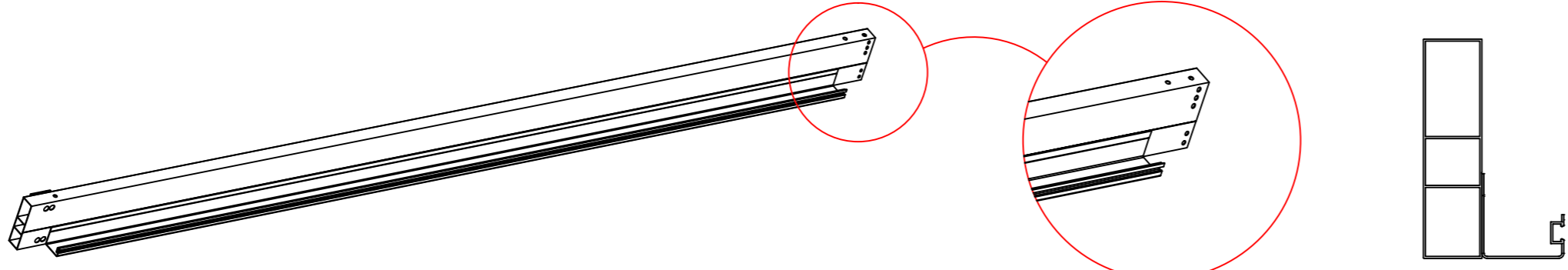
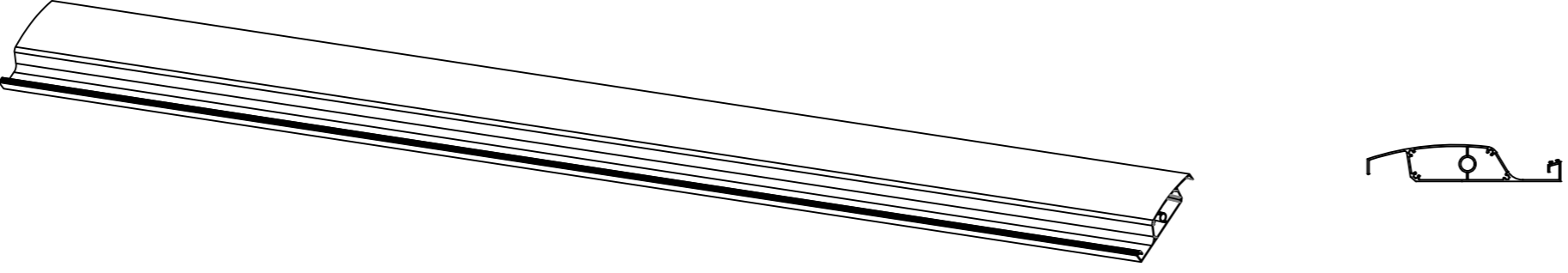
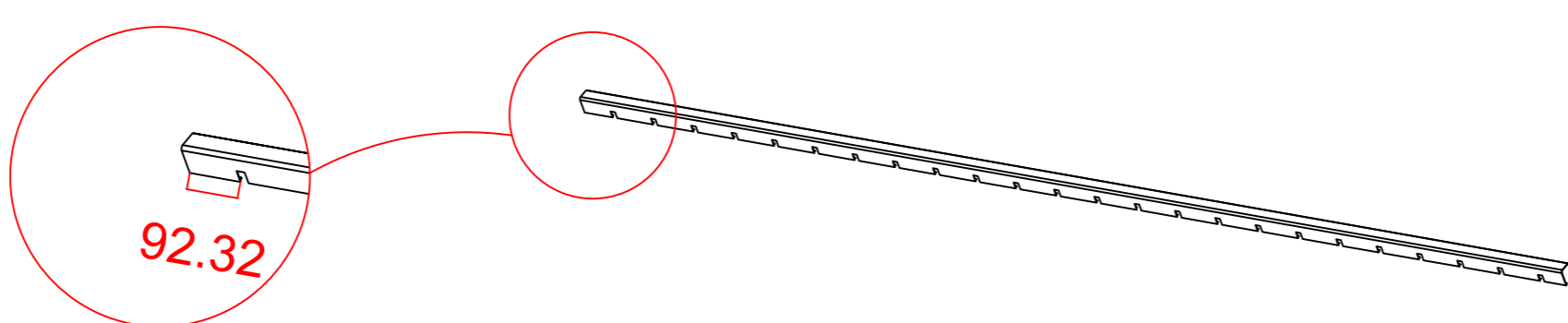
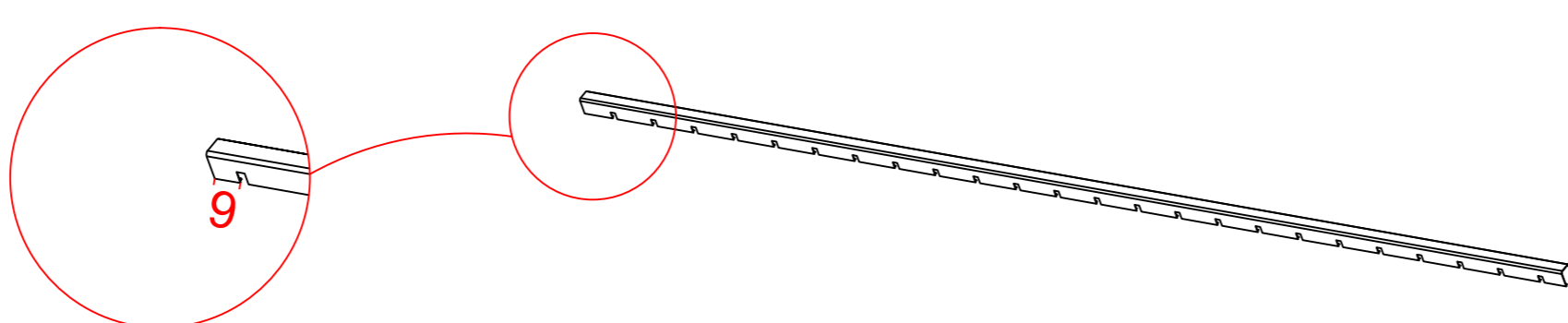
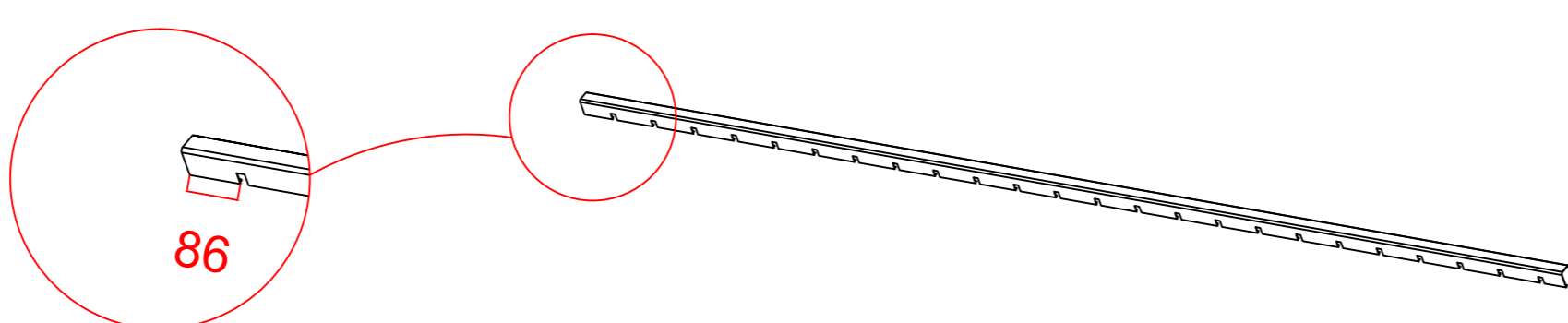
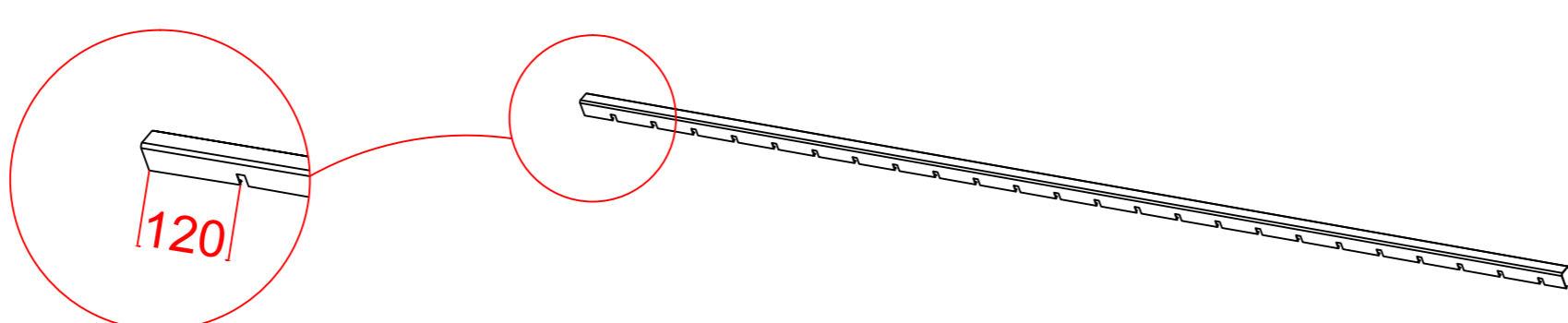
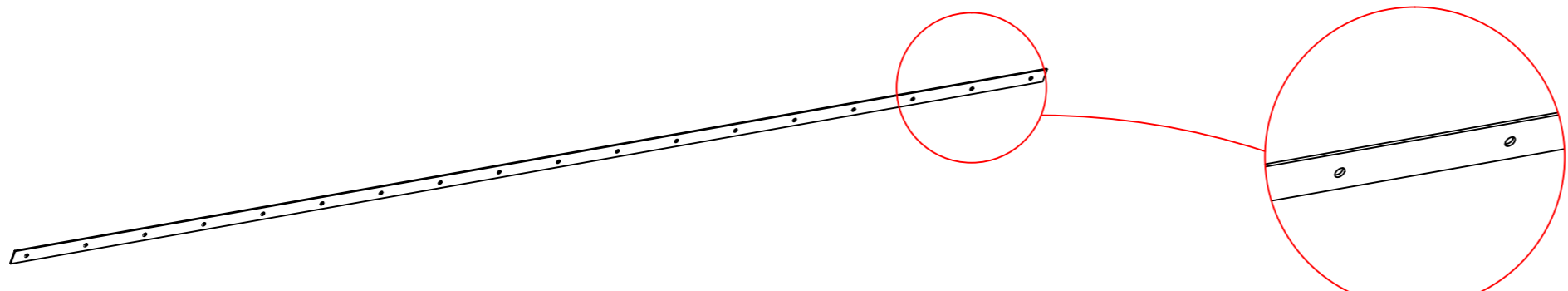
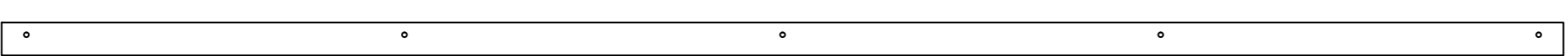
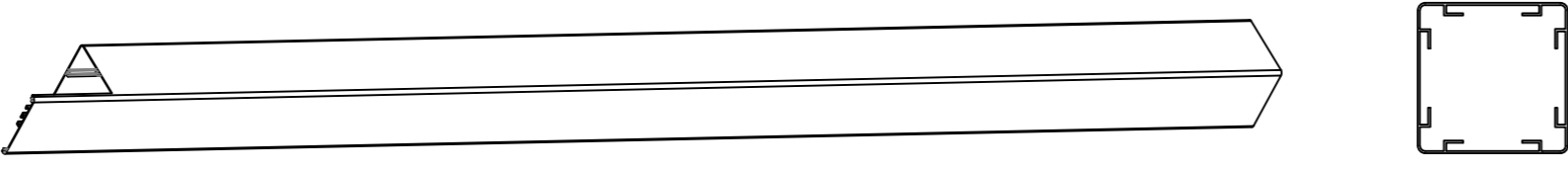


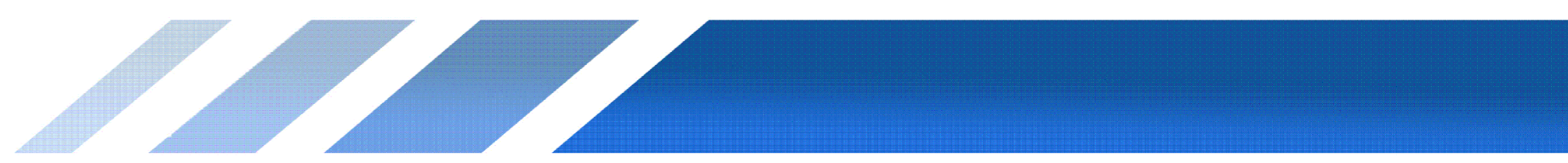


	Item	Qty	Item	Qty	Item	Qty	Item	Qty
Carton 1/5	3B-01	2	3B-11	2	3B-12	2	3B-13	3
	3B-14	2	3B-15	2	3B-16	2	3B-18	1
	3B-19	24	3B-20	78	3B-21	12	3B-23	30
	3B-24	1	3B-26	2	3B-32	1	3B-33	1
	3B-35	2	3B-36	4	3B-39	16	3B-40	2
	3B-41	2	3B-42a	10	3B-42b	8	3B-45	12
	3B-45B	4	3B-46	3	3B-48	39	3B-49	37
	3B-50	2	3B-51	312	3B-52B	1	3B-53	6
	3B-54	8	3B-55	2	3B-62	16		
Carton 2/5	3B-02	1	3B-02-2	1	3B-03	1	3B-03-2	1
	3B-08-a	1	3B-08-b	1	3B-08-c	1	3B-08-d	1
	3B-09	4	3B-56	2				
Carton 3/5	3B-06	18						
Carton 4/5	3B-06	18						
Carton 5/5	3B-04	2	3B-06	3	3B-27	1		





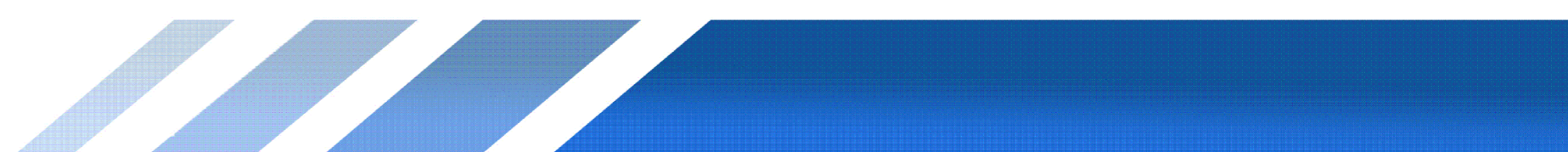
Item	Drawings	Qty
3B-01		2
3B-02		1
3B-02-2		1
3B-03		1
3B-03-2		1
3B-04		2
3B-06		39
3B-08-a		1
3B-08-b		1
3B-08-c		1
3B-08-d		1
3B-09		4
3B-56		2
3B-27		1

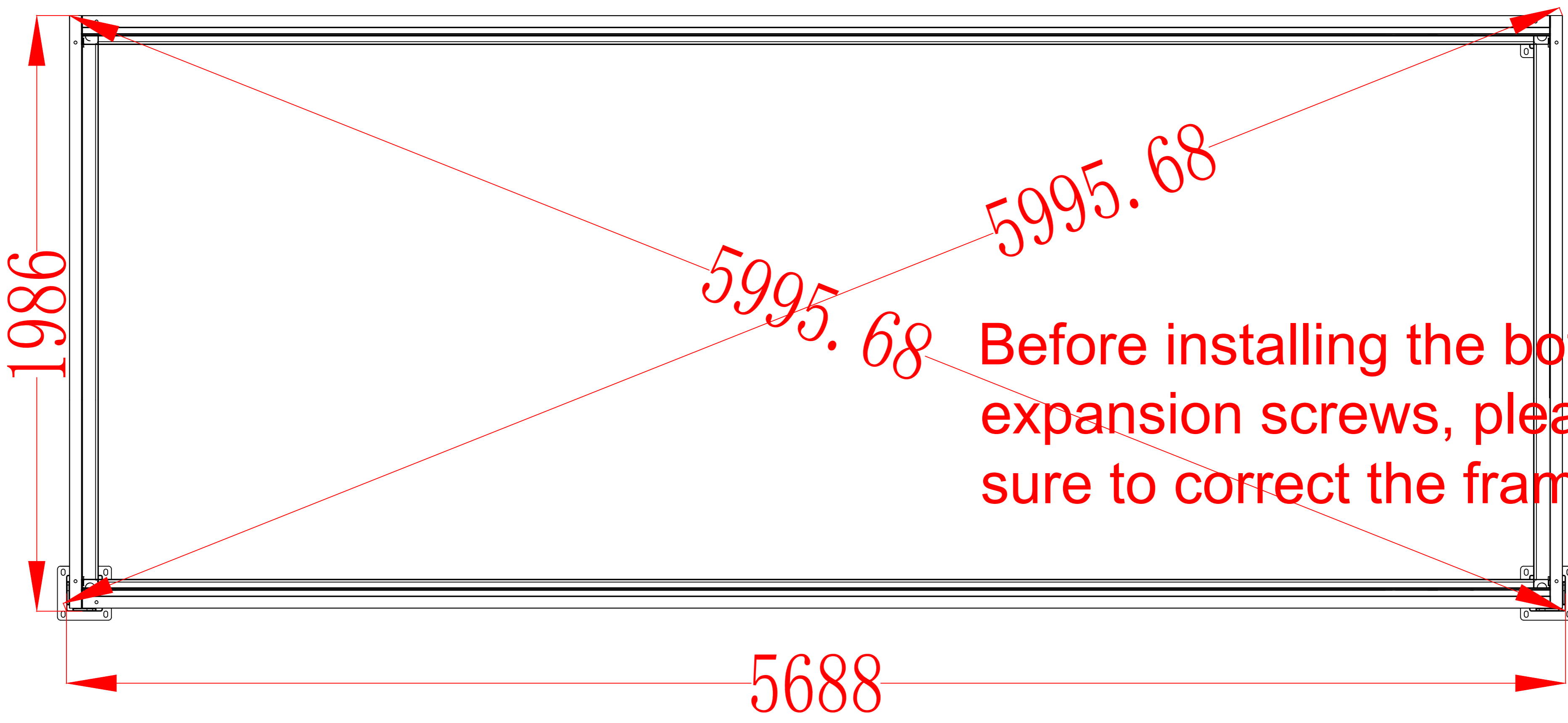
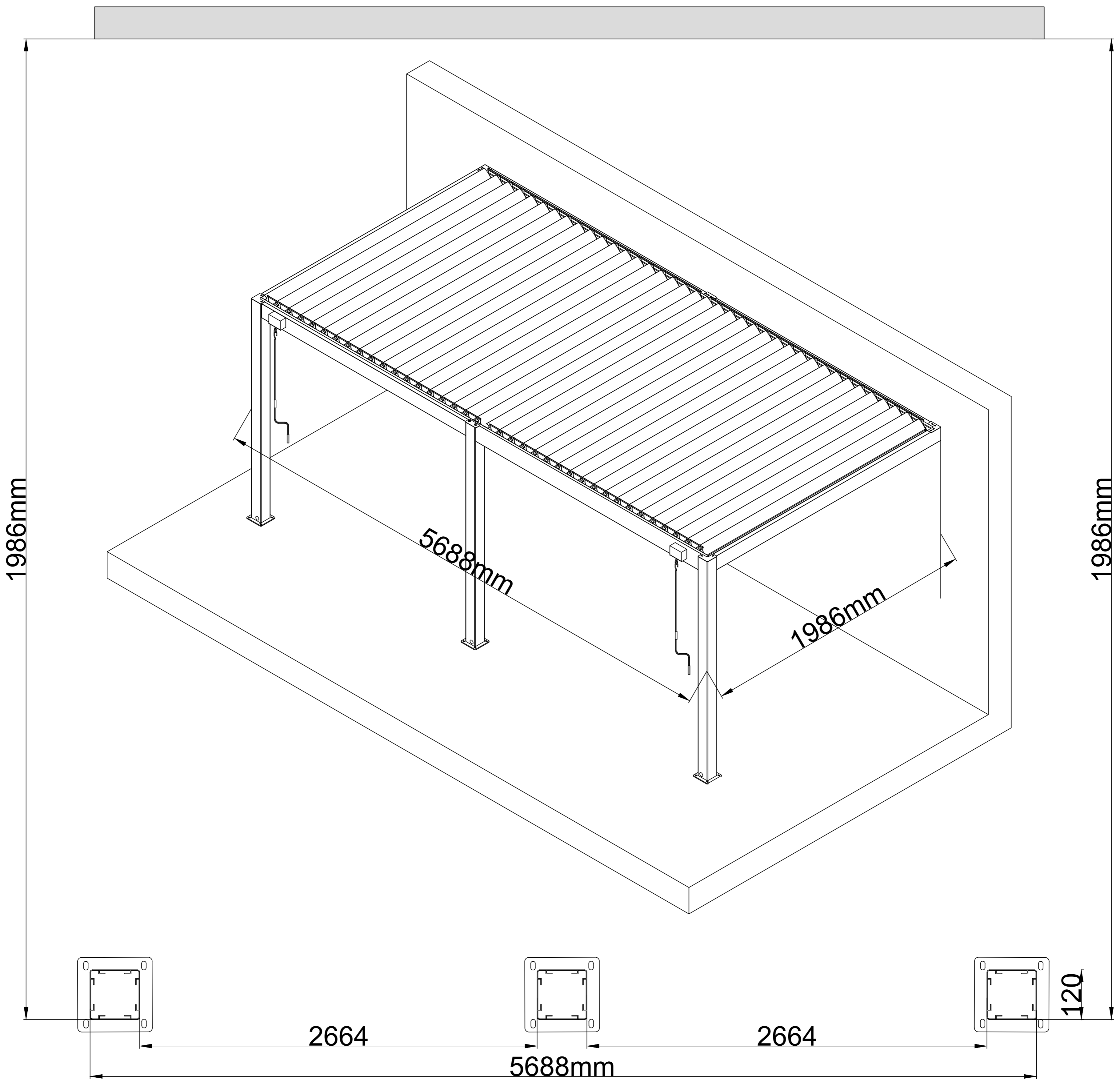




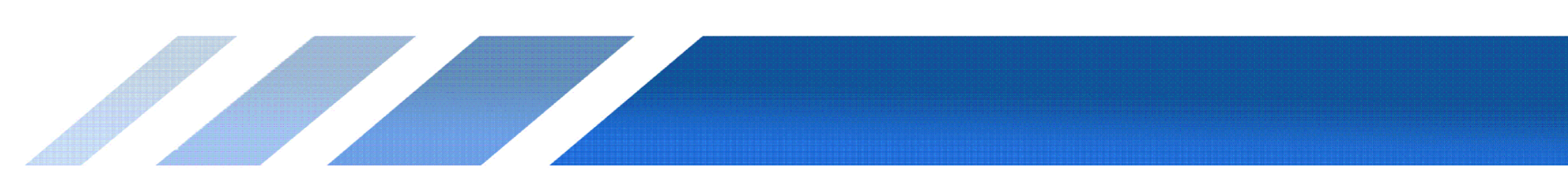
Item	Drawings	Qty
3B-11		2
3B-12		2
3B-13		3
3B-14		2
3B-15		2
3B-16		2
3B-18		1
3B-19	 M8*20	24+2
3B-20		78+2
3B-21	 M10*80	12
3B-23	 M4.2*19	30+2
3B-24		1
3B-26		2
3B-32		1
3B-33		1
3B-35		2
3B-36		4
3B-39	 M8*100	16

Item	Drawings	Qty
3B-40		2
3B-41		2
3B-42a	 M6*16	10
3B-42b	 M6*16 <sup>P</sup>	8
3B-45	 M8*10	12
3B-45B		4
3B-46		3
3B-48		39
3B-49		37
3B-50		2
3B-51	 M4.2*25	312+4
3B-52B		1
3B-53		6
3B-54	 M4.2*25	8
3B-55		2
3B-62	 M14*75 M10*100	16



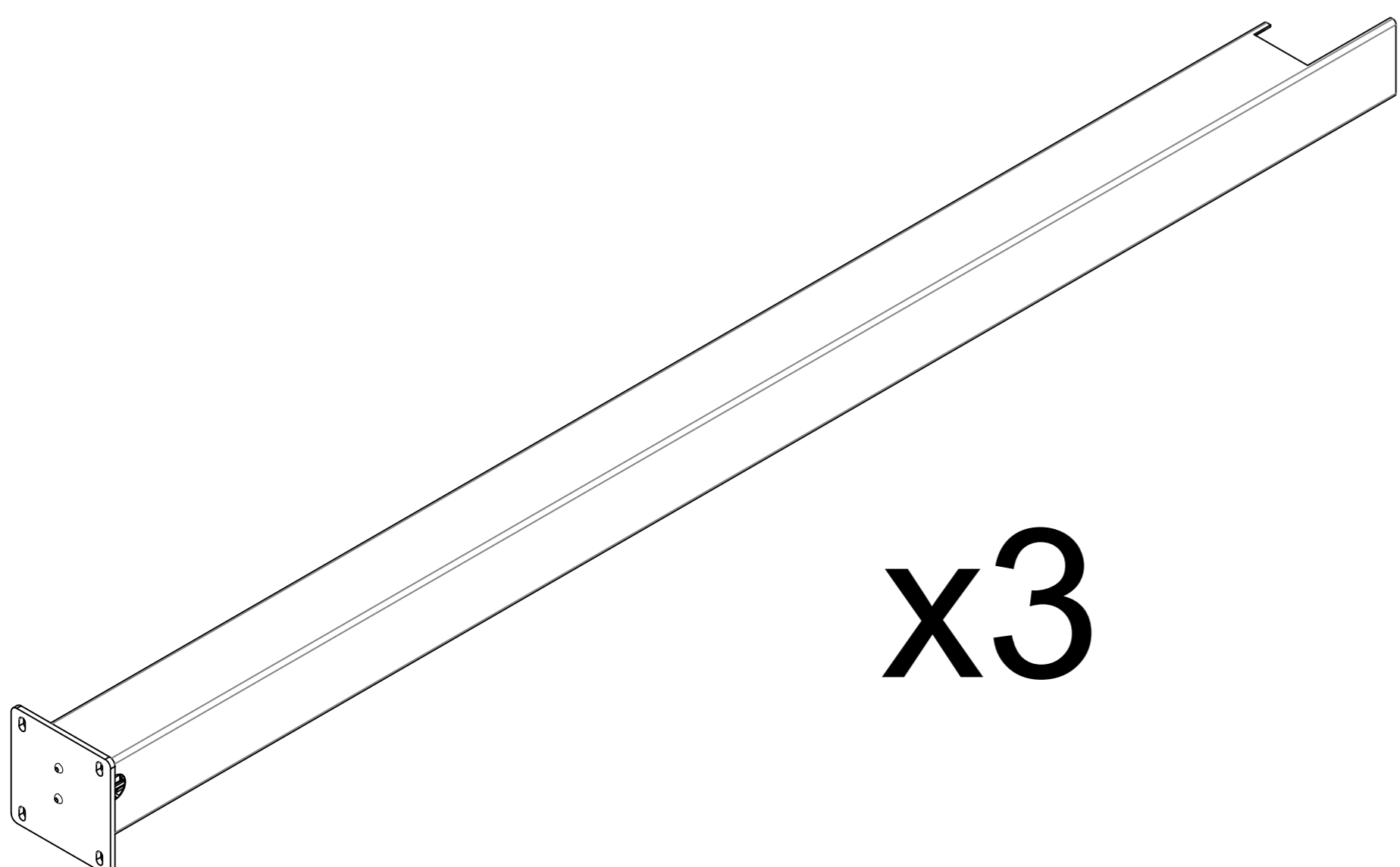
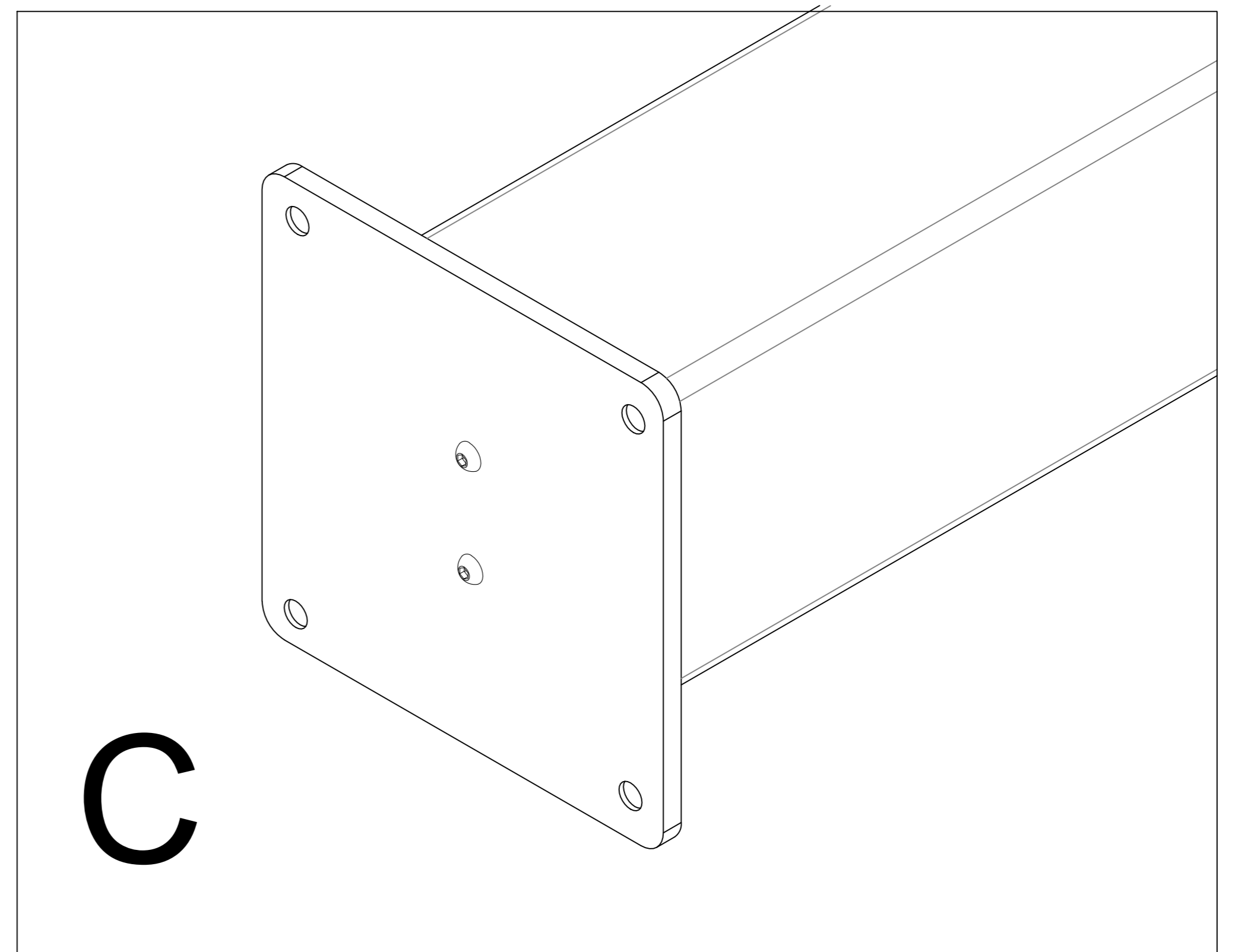
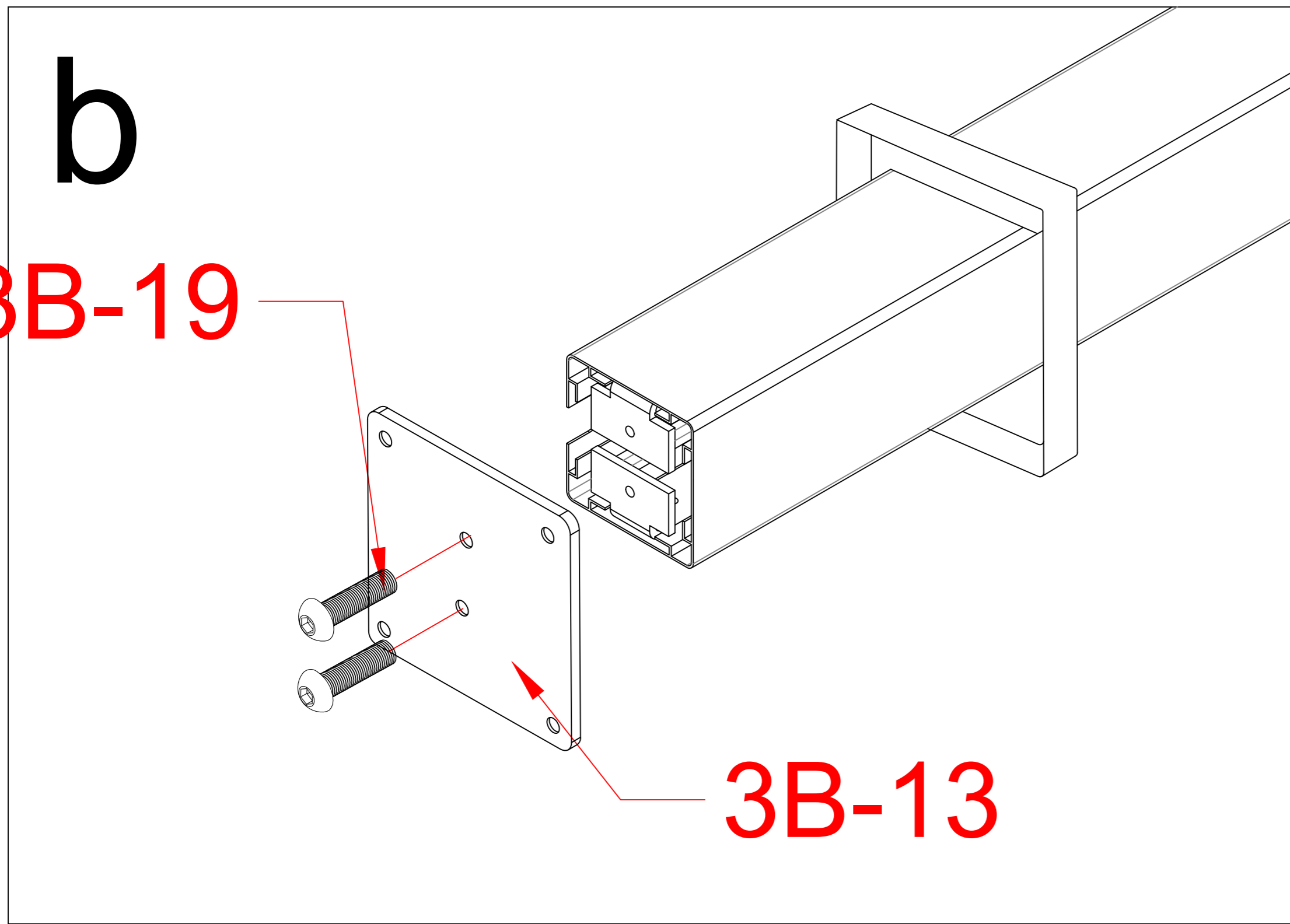
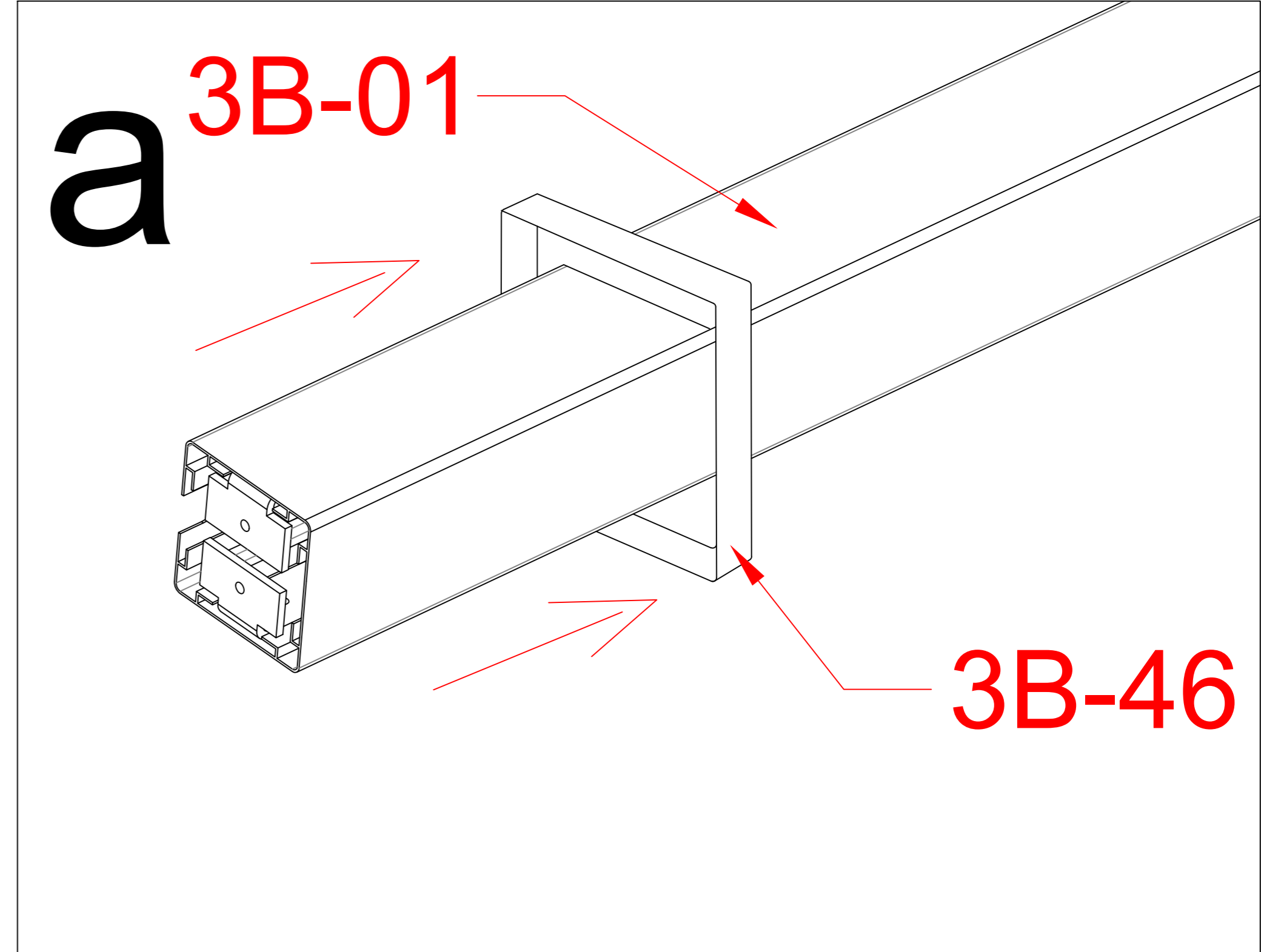


Before installing the bottom expansion screws, please be sure to correct the frame size

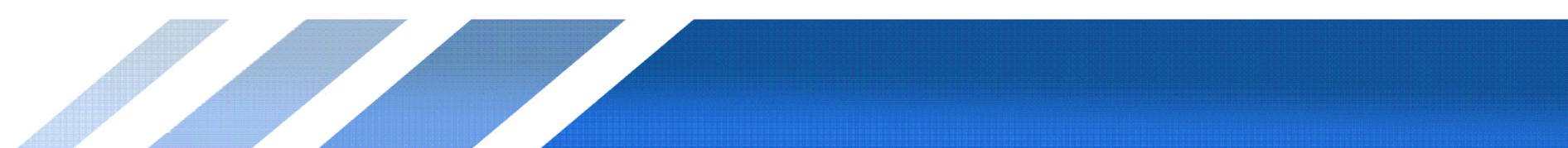


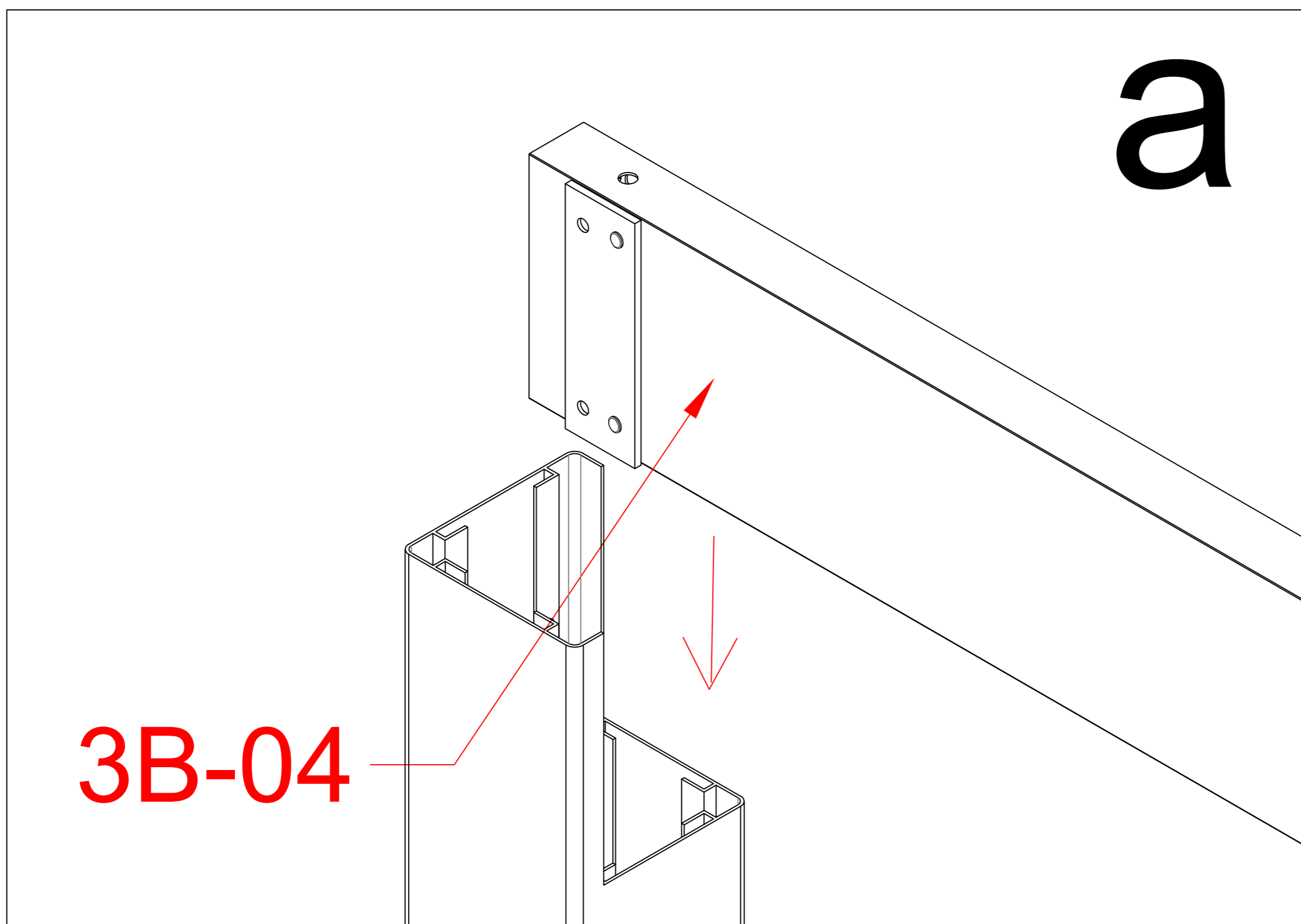


During the installation process, if you encounter any uncertainties, please refer to the installation instructions on the product page of the website.

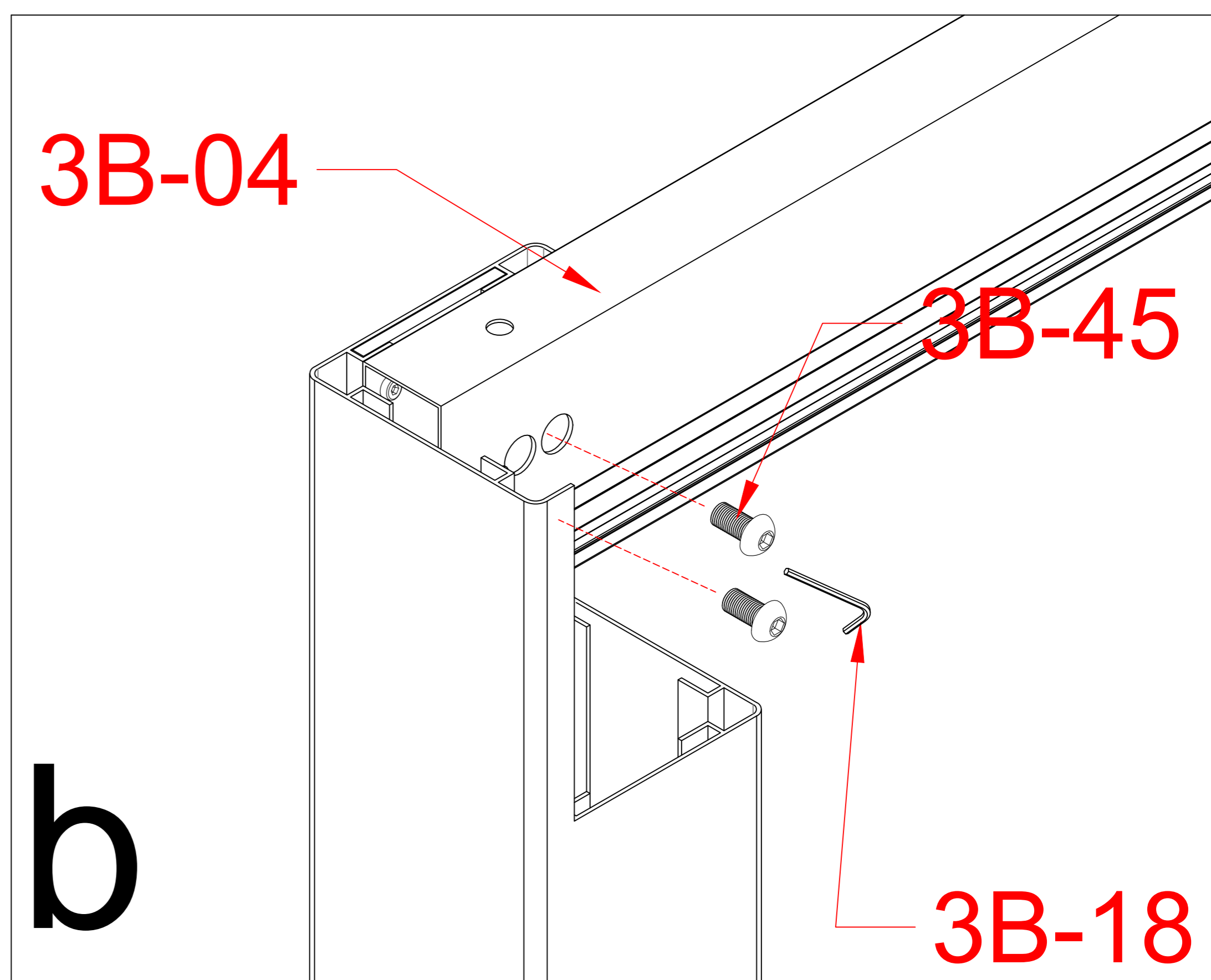


3B-27		1
3B-46		3
3B-01		2
3B-13		3
3B-19		6

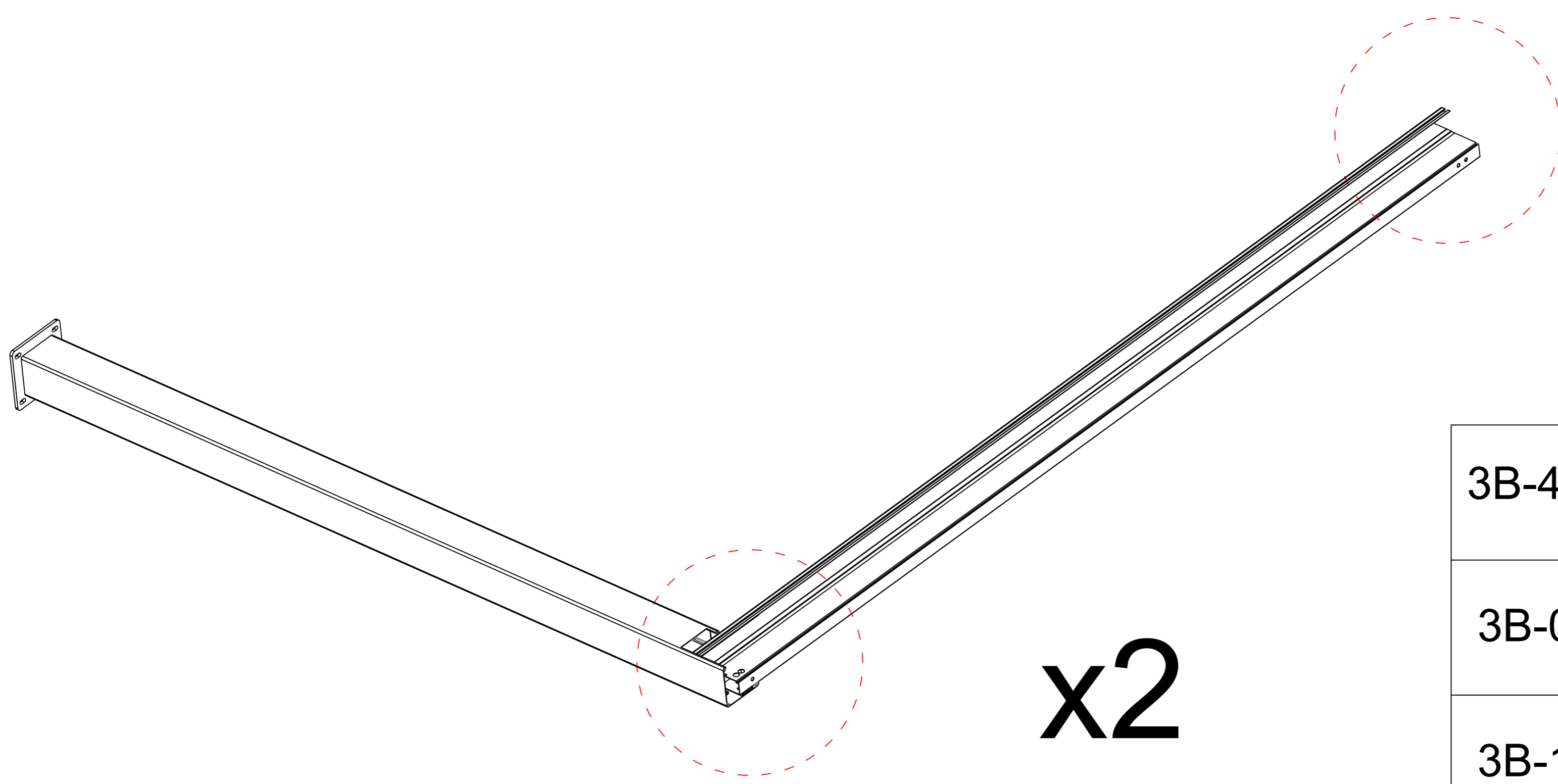




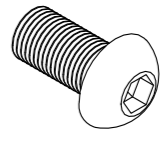


**a**



**b**

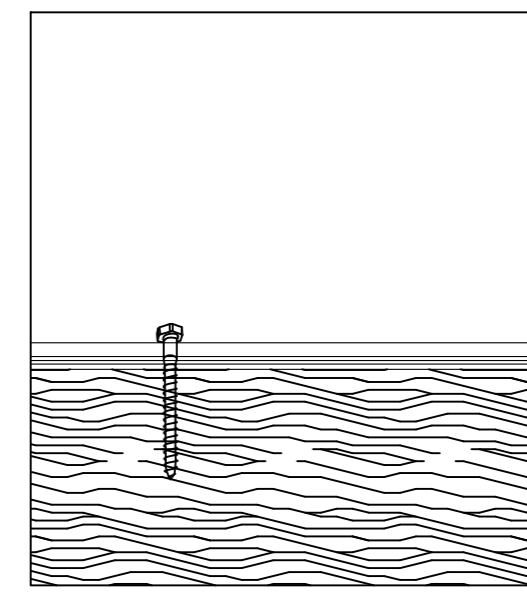
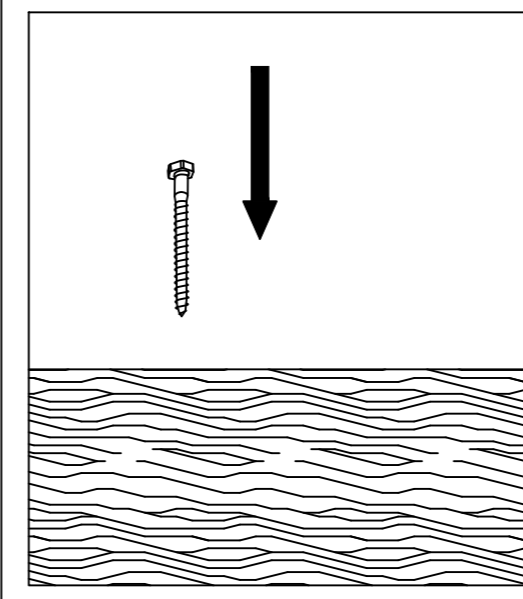
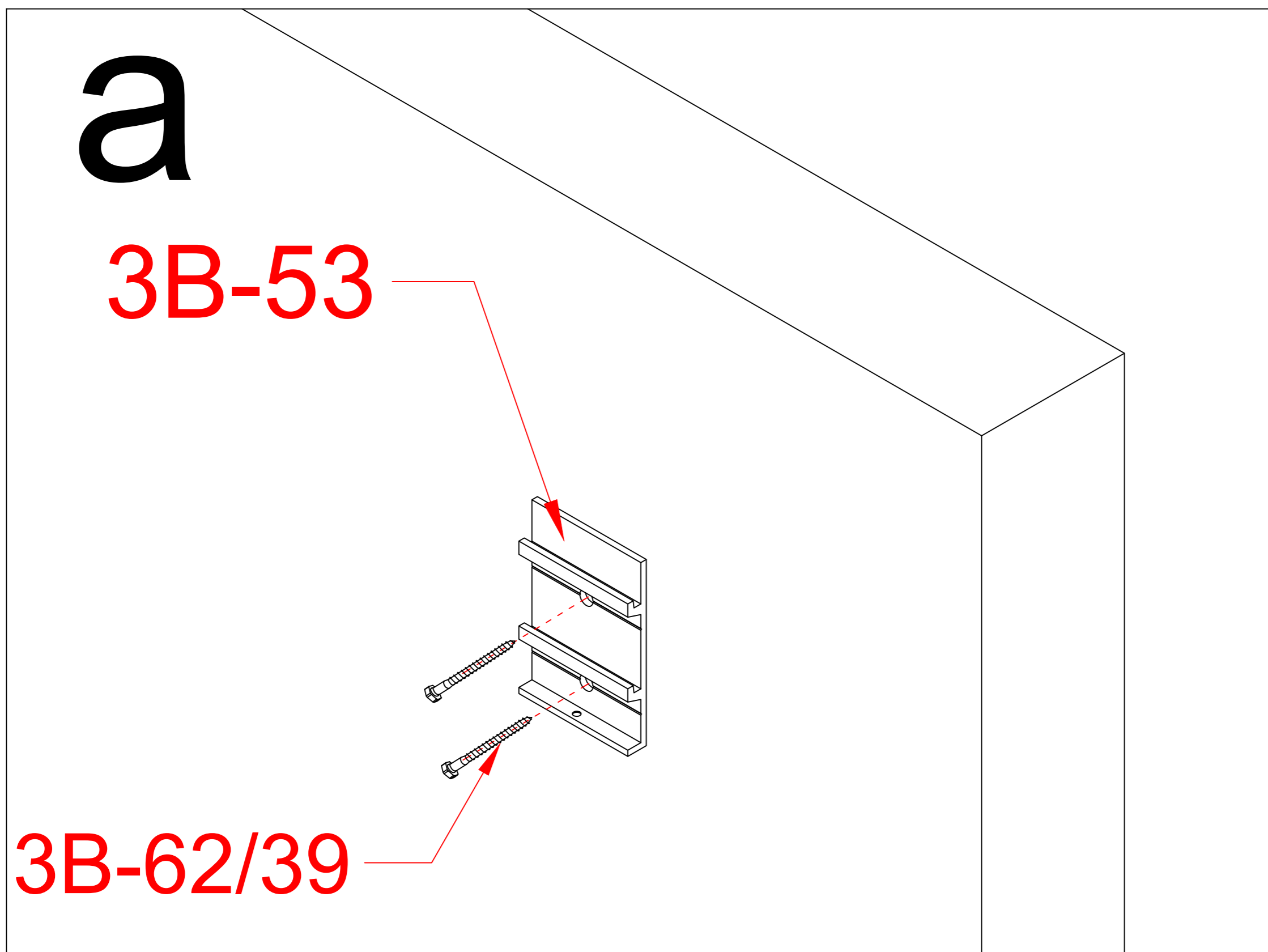


**x2**

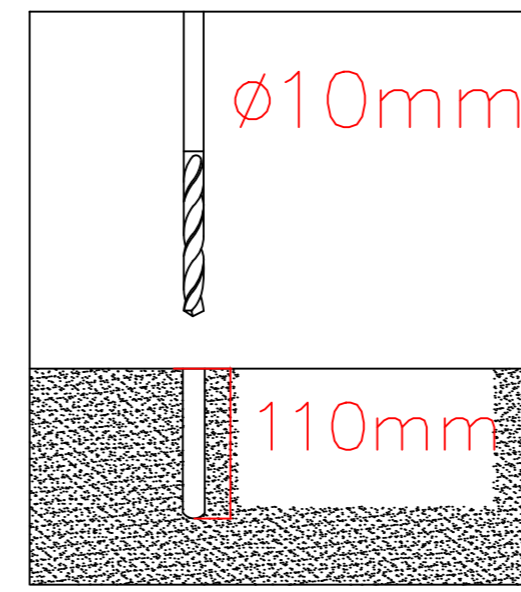
3B-45	 M8*10	4
3B-04		2
3B-18		1







**3B-39:**

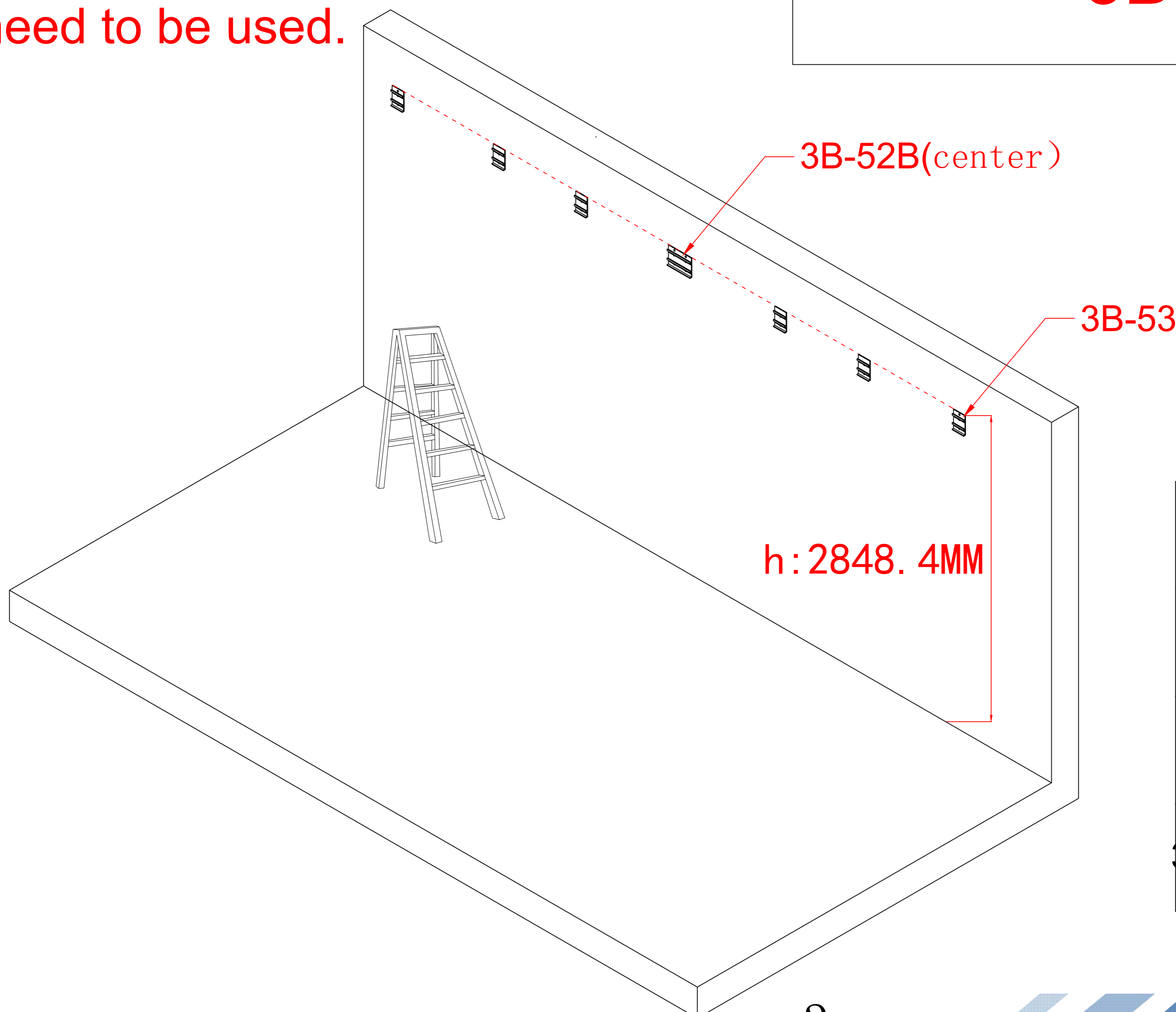
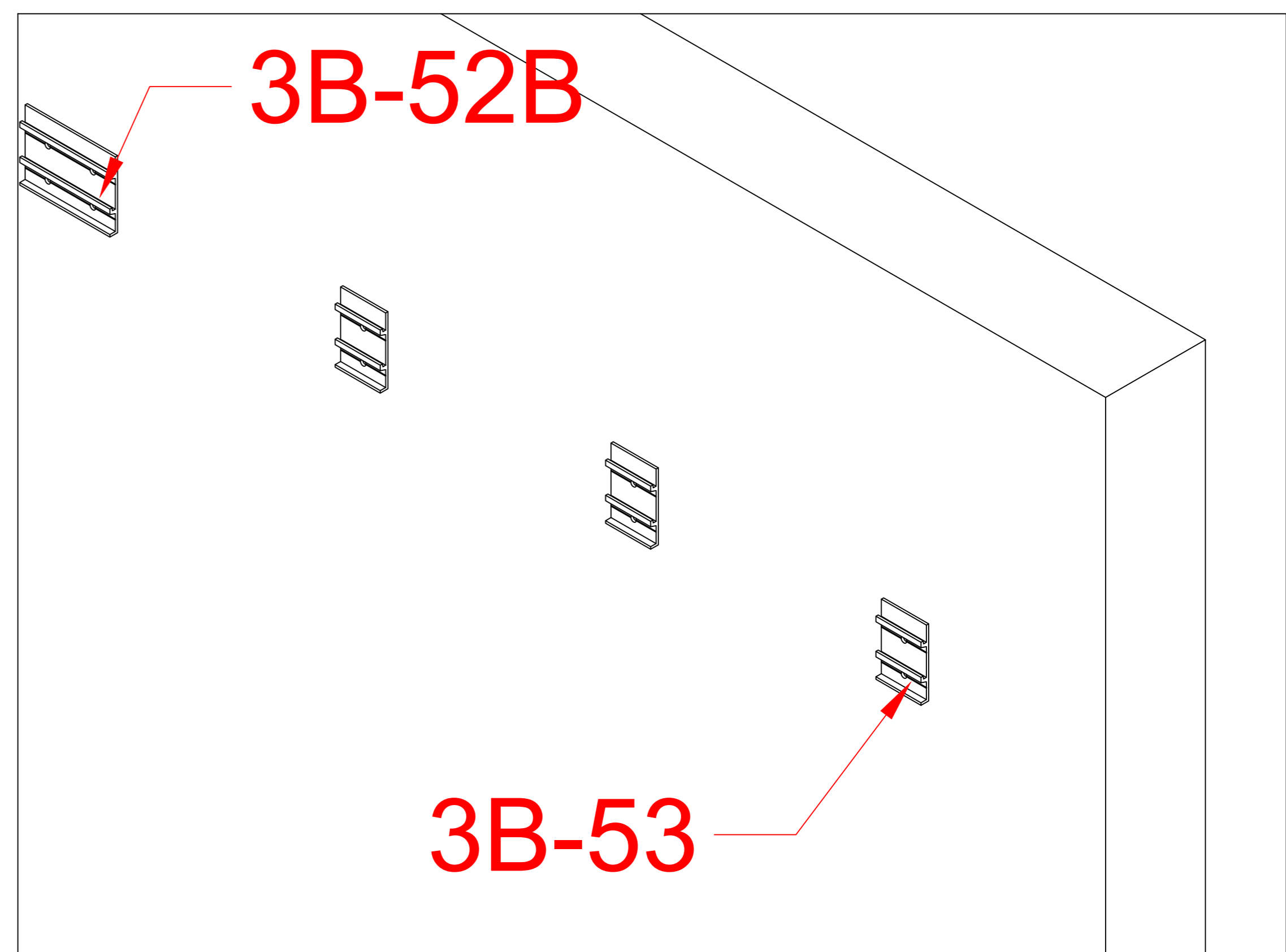


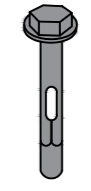
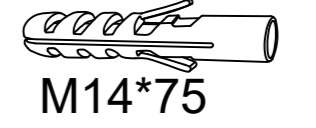
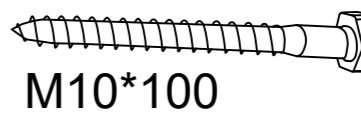
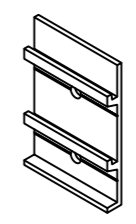
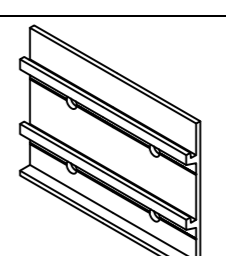
**Attention:**

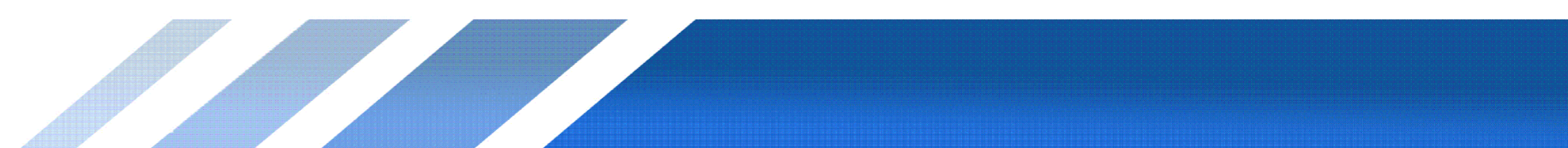
1. Before installing here, please ensure that the wall is flat

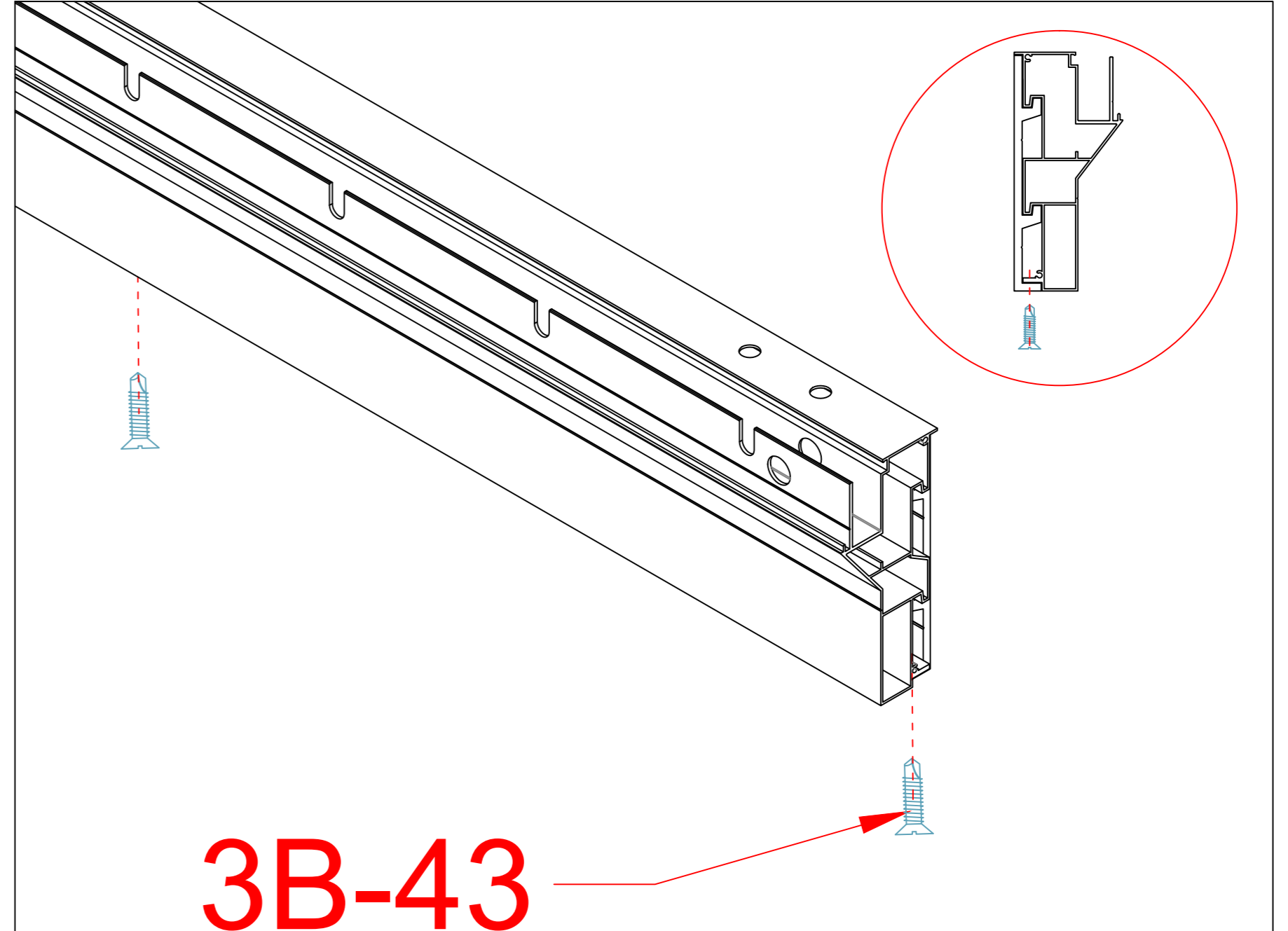
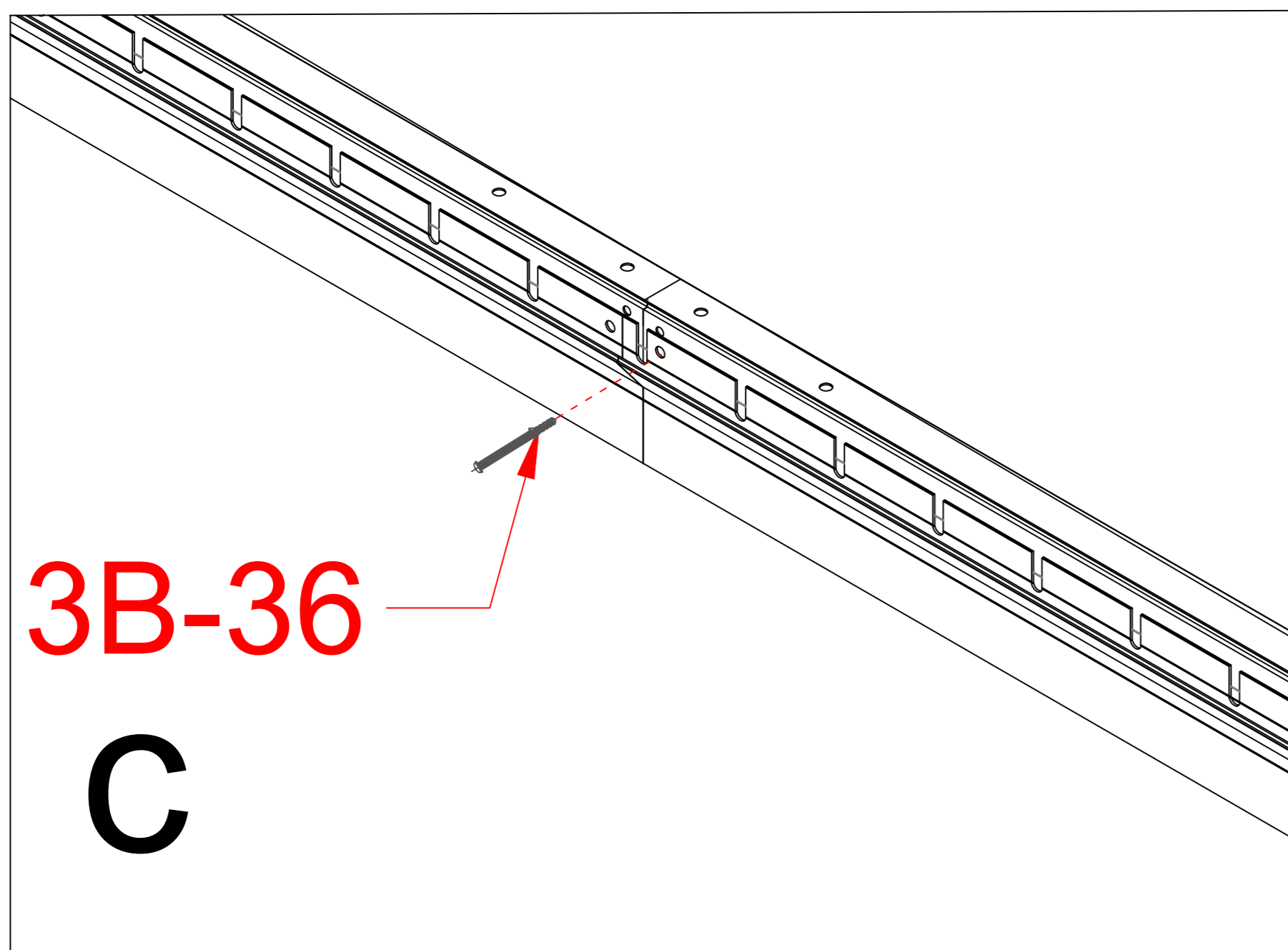
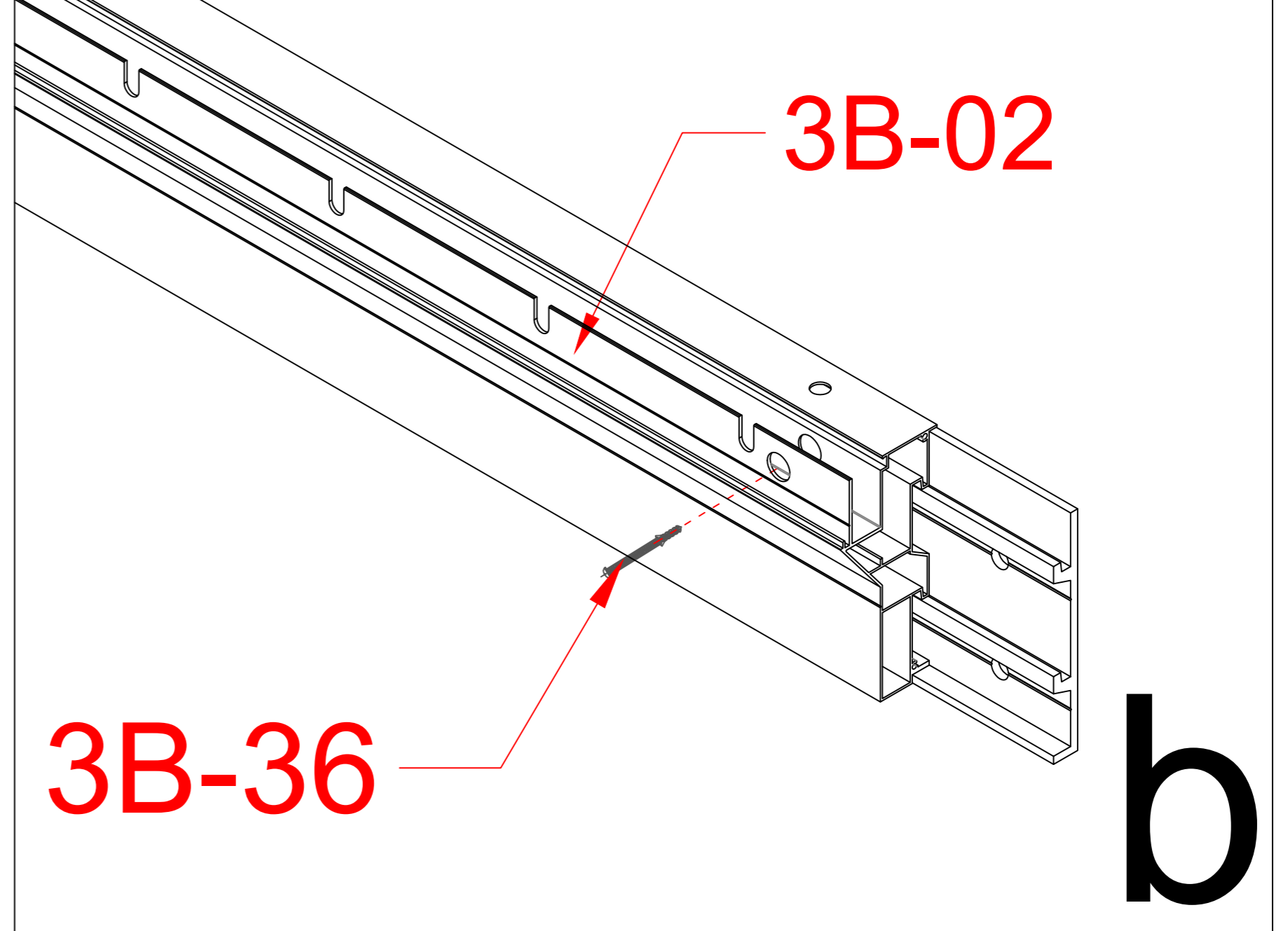
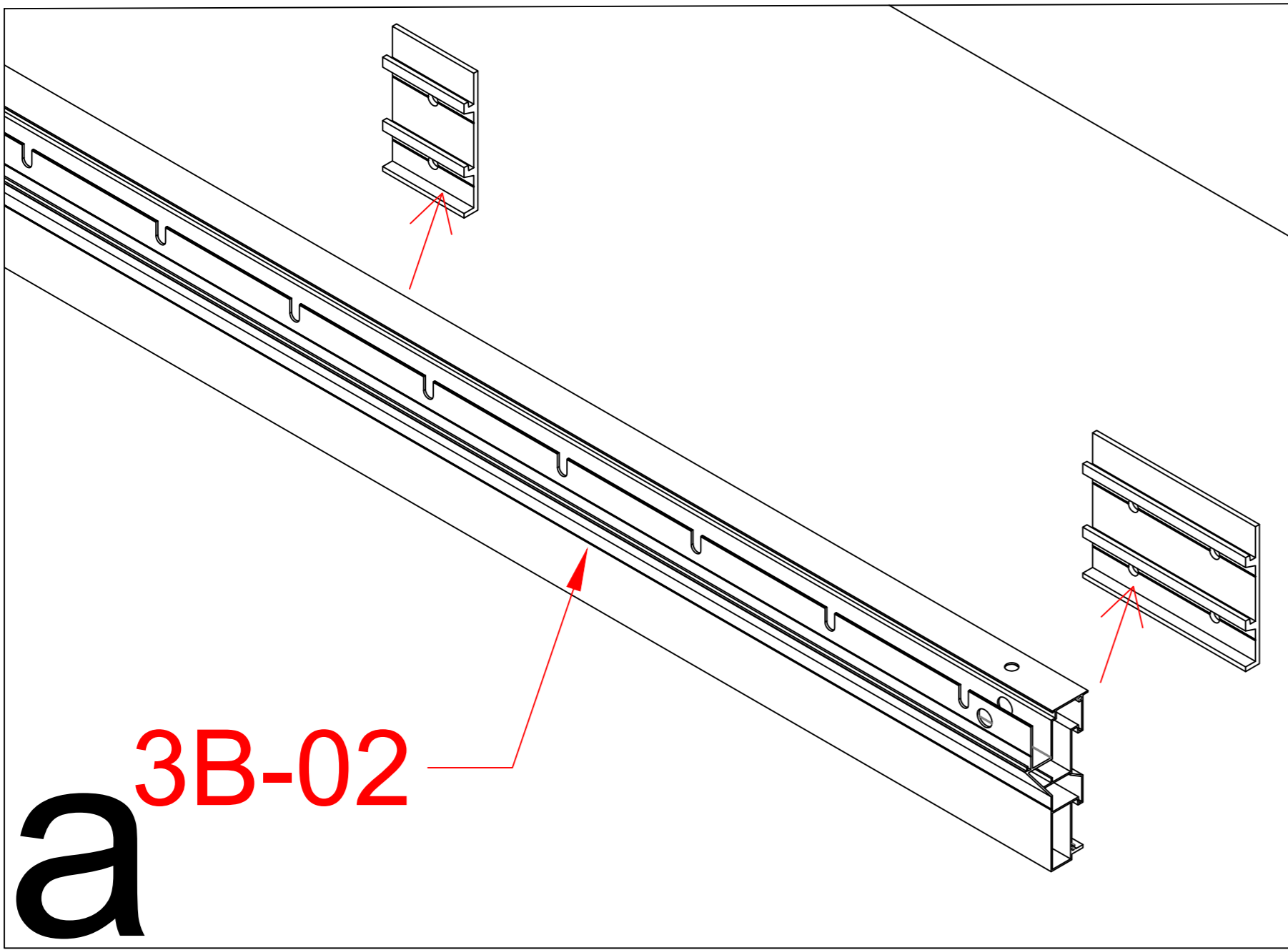
2. If it is a wooden wall, please use 3B-62, and if it is the Cement wall, please use 3B-39

3. When installing on wooden walls, cap for expansion bolt does not need to be used.

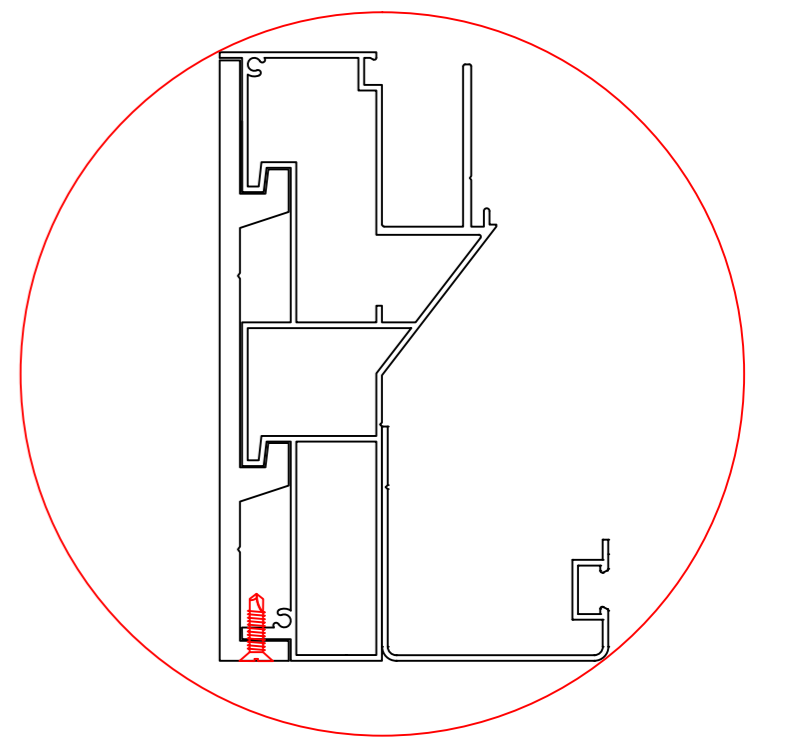
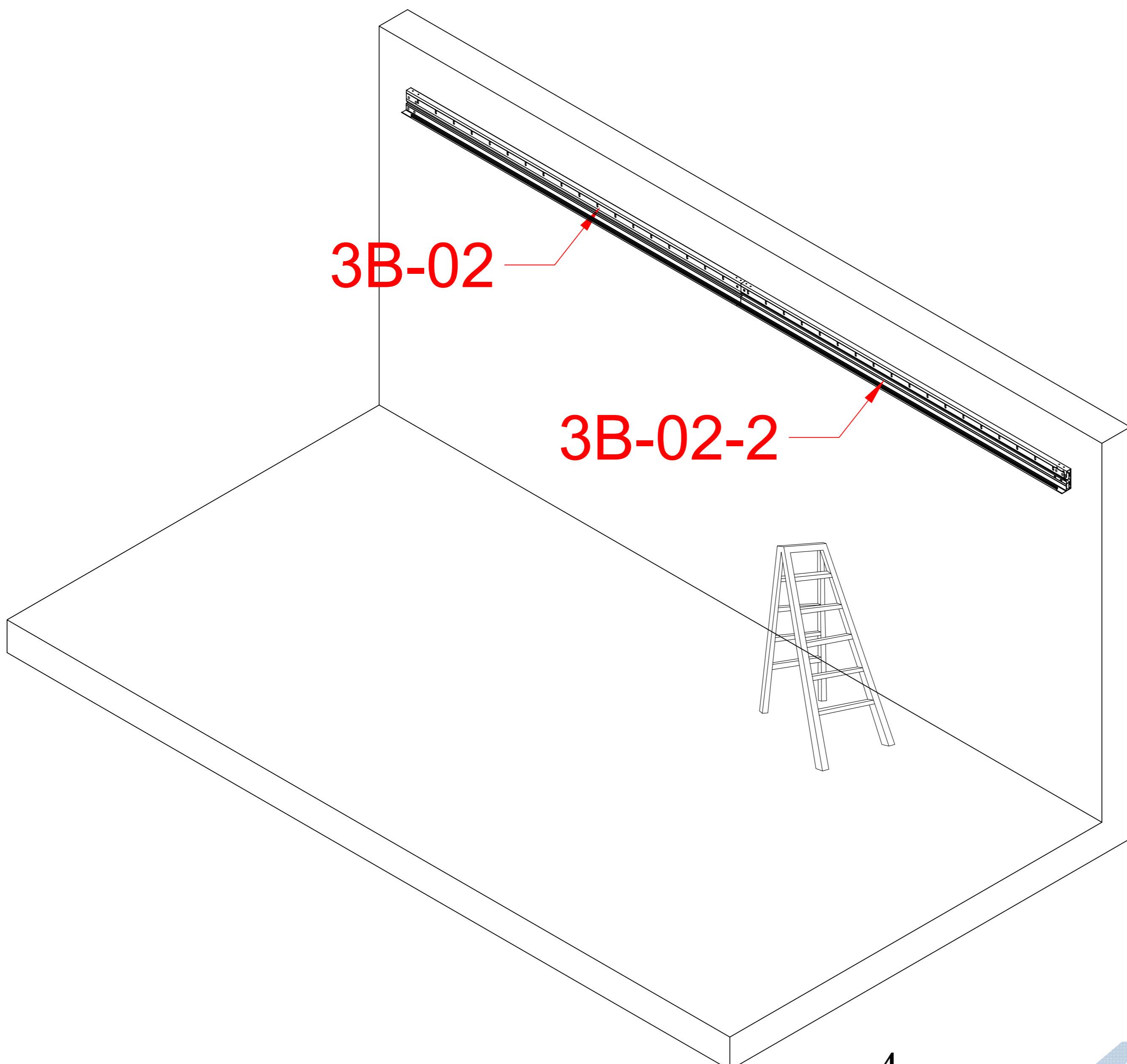


3B-39	 M8*100	16
3B-62	 M14*75  M10*100	16
3B-53		6
3B-52B		1

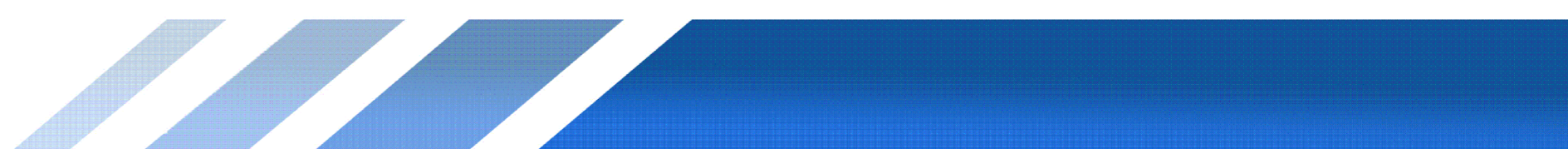


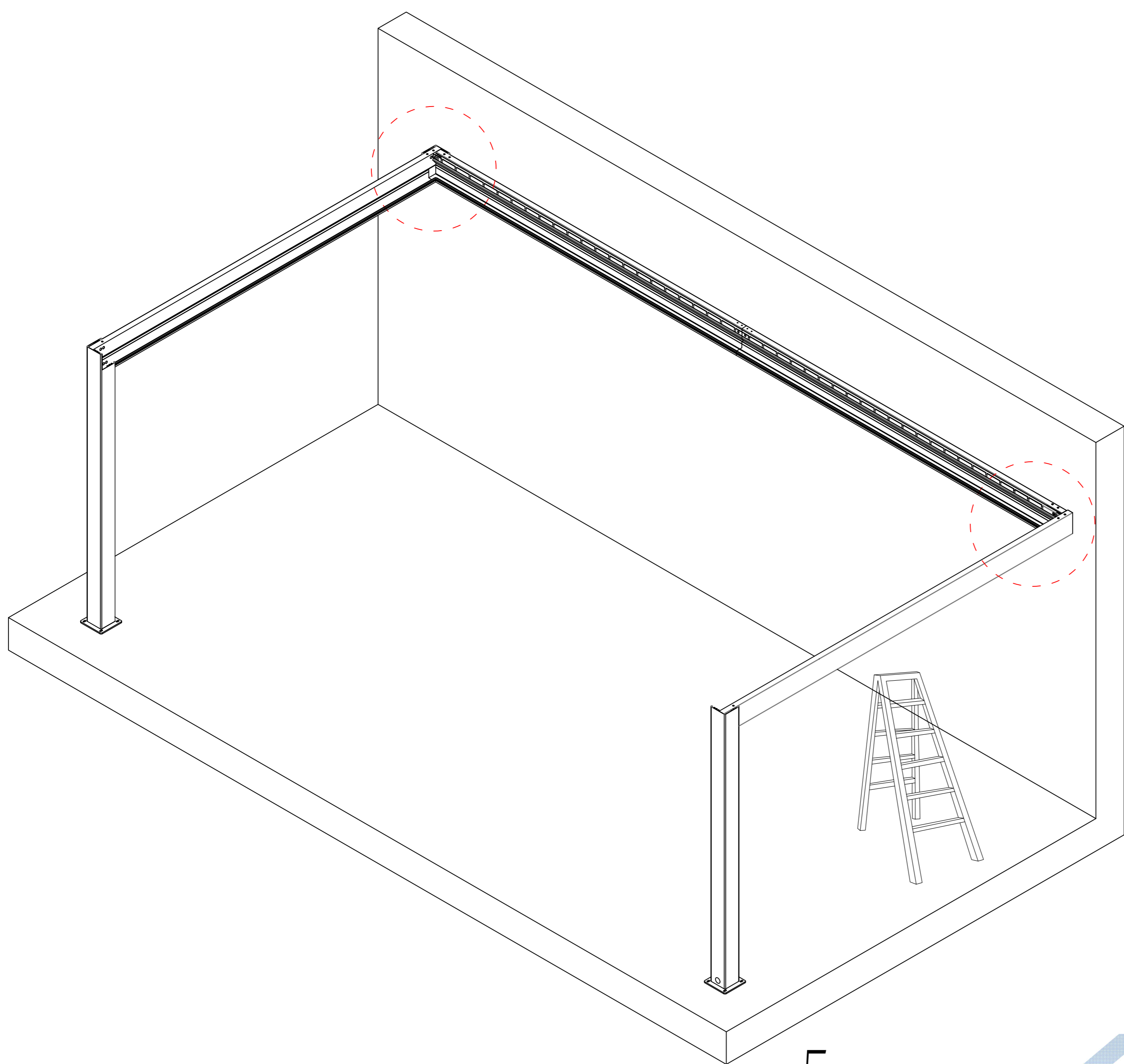
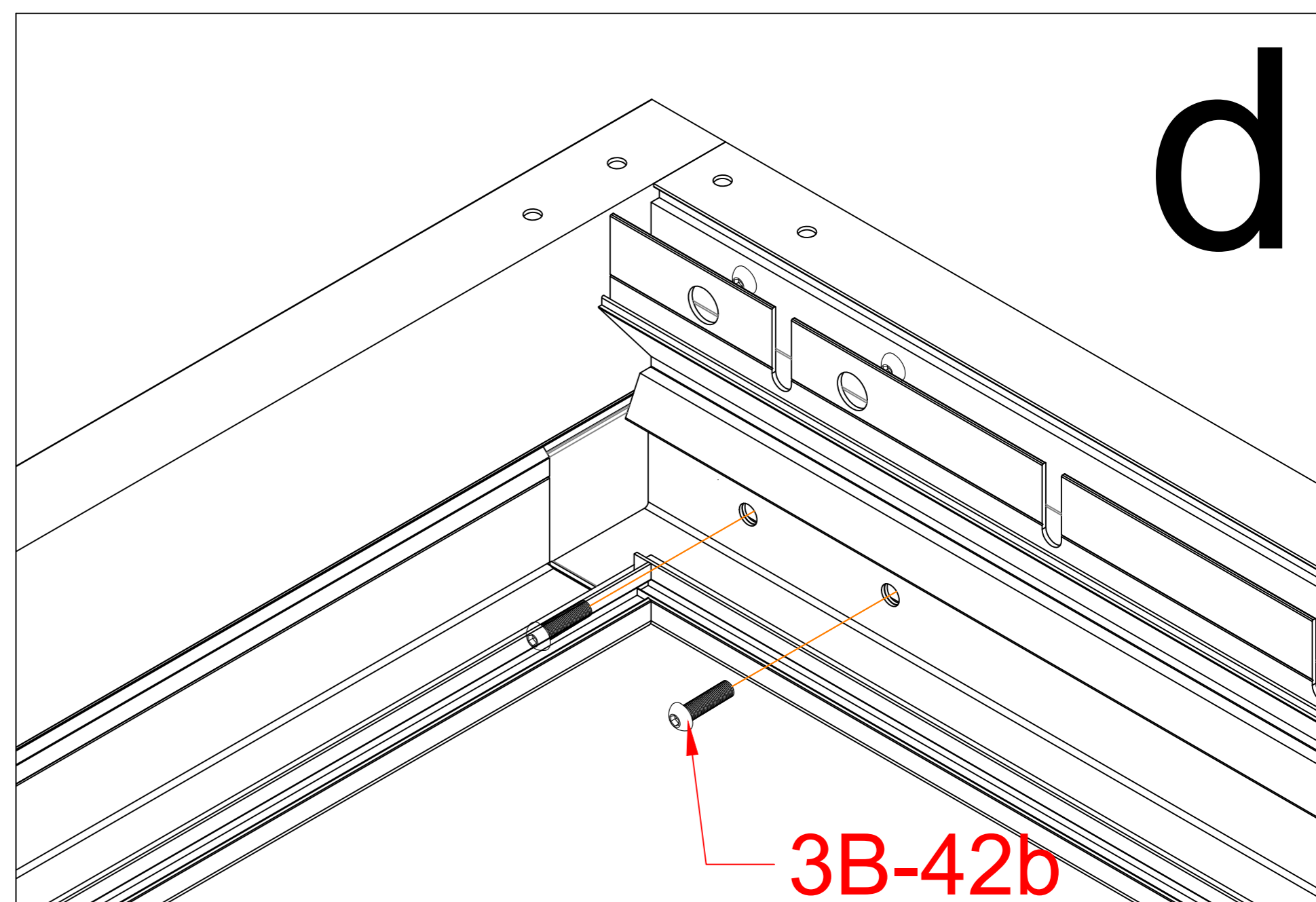
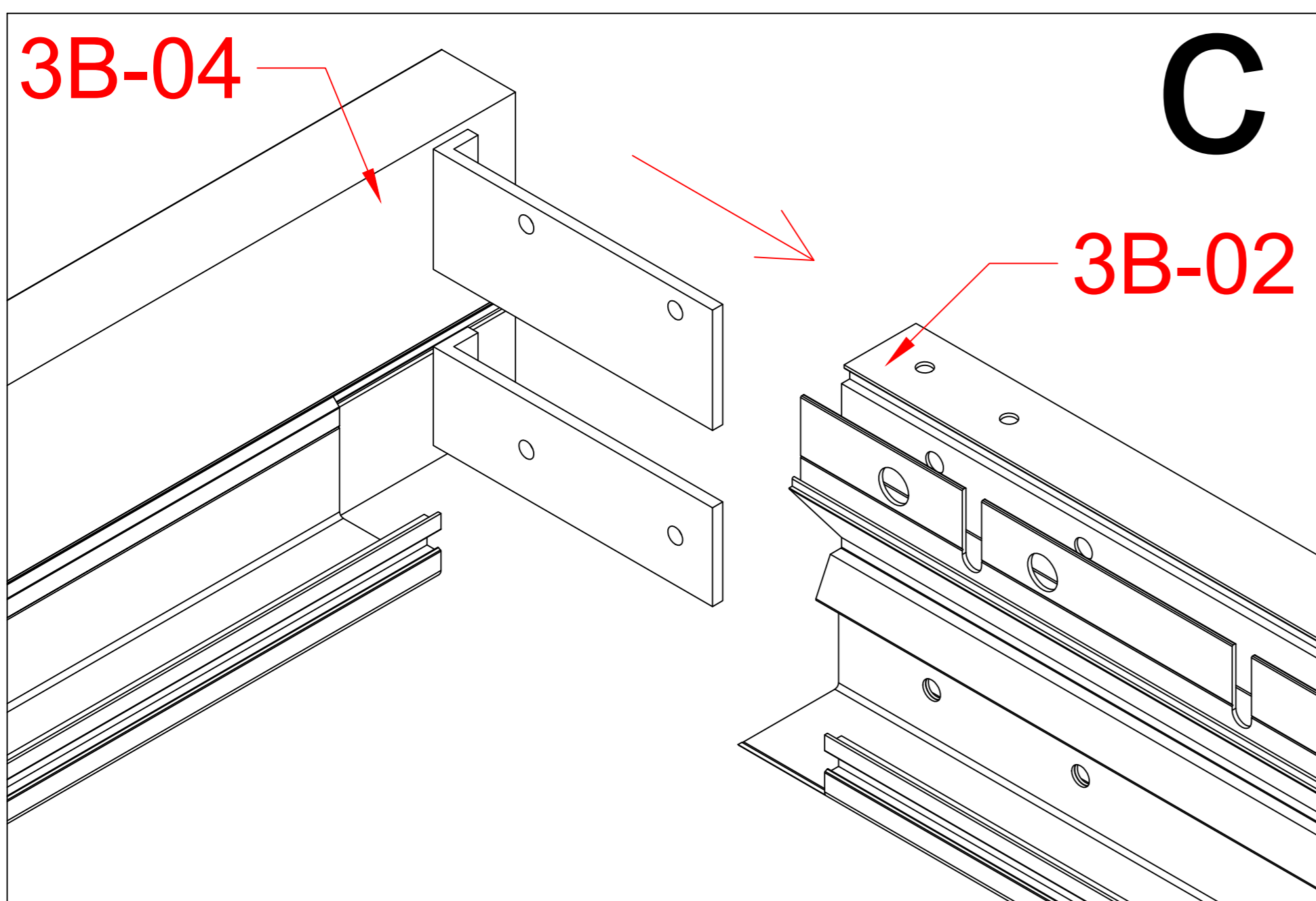
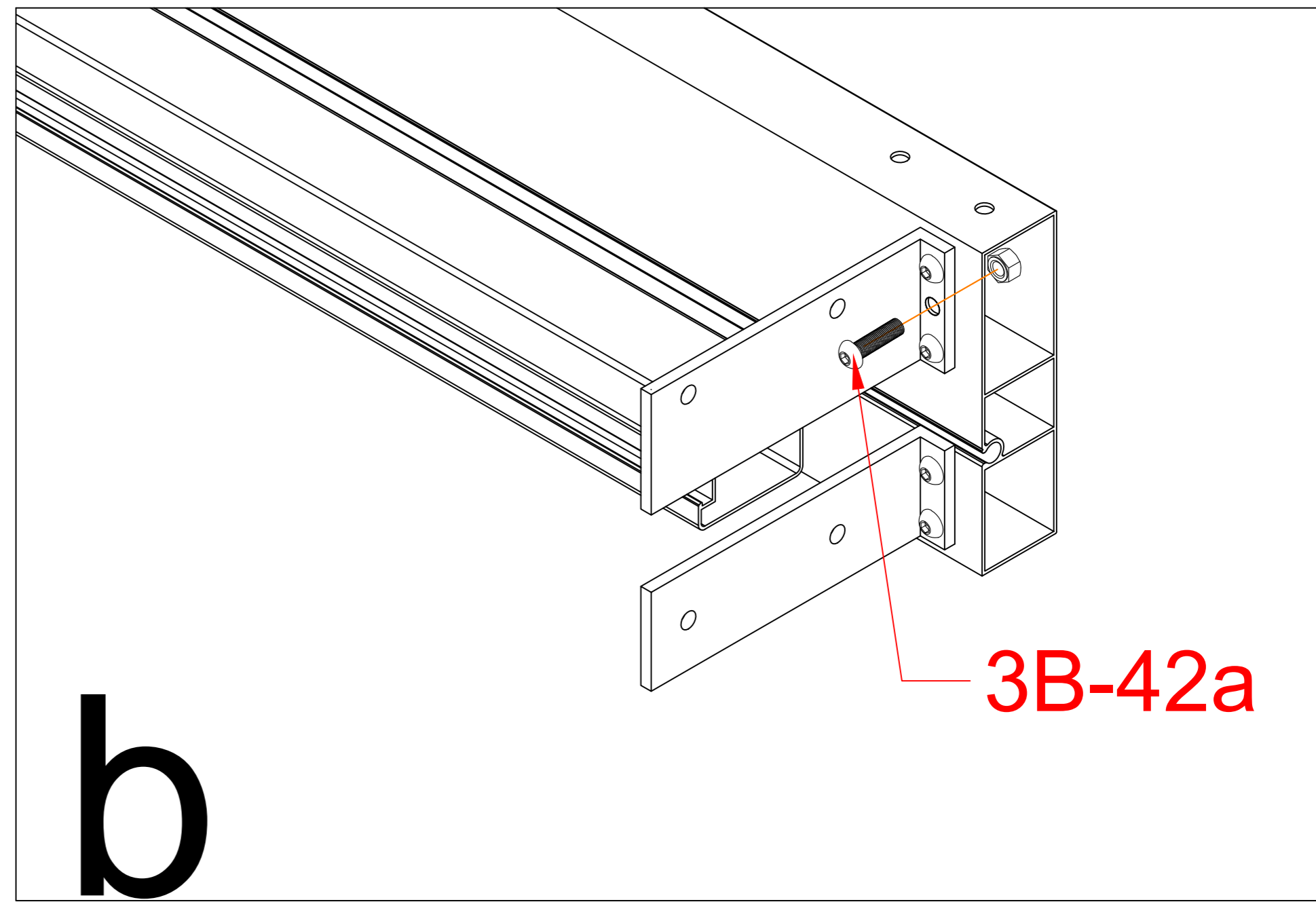
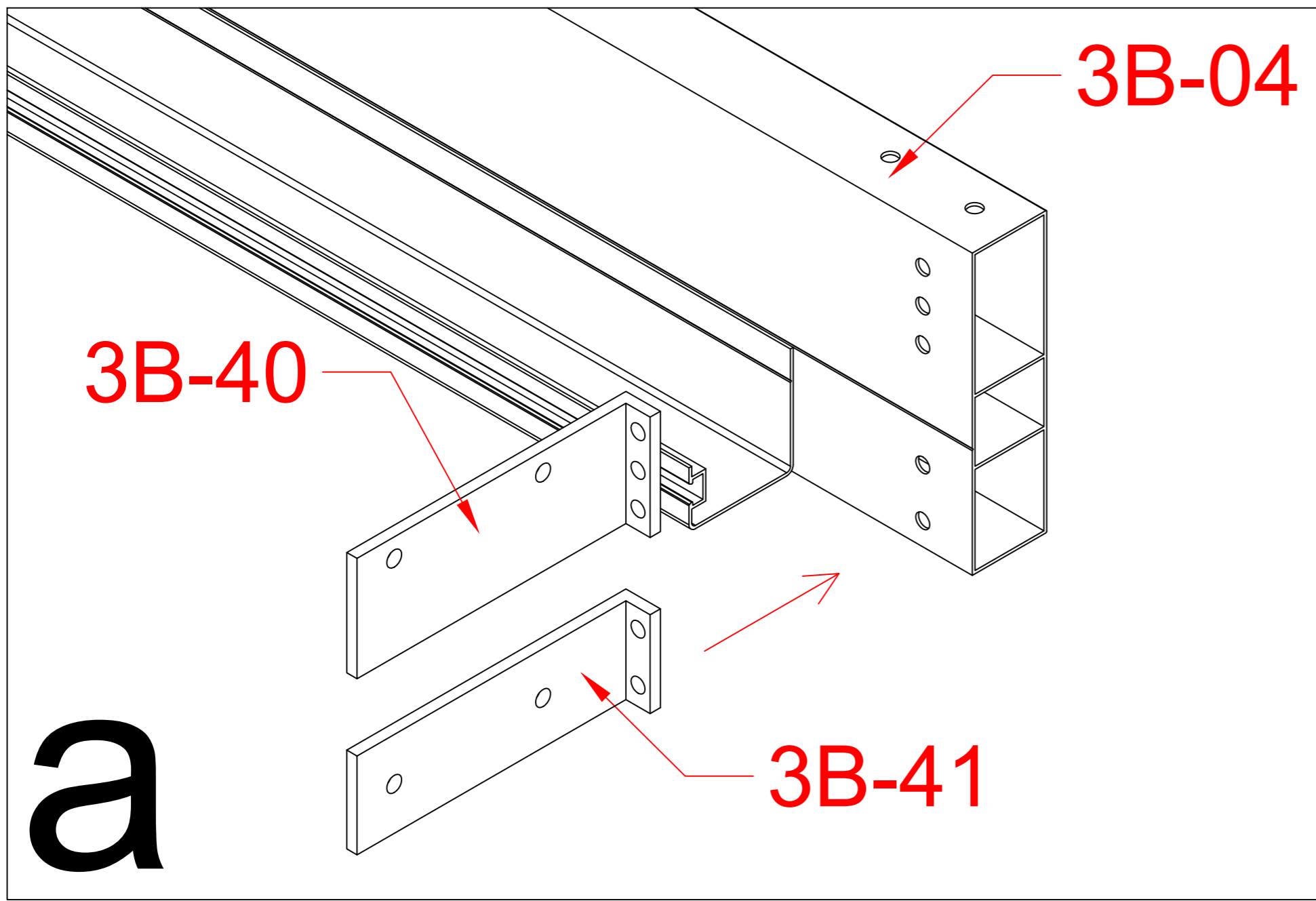


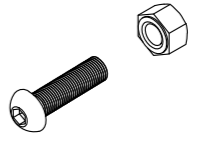

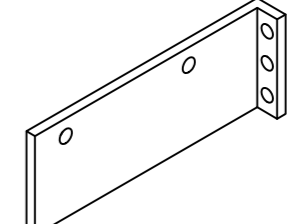
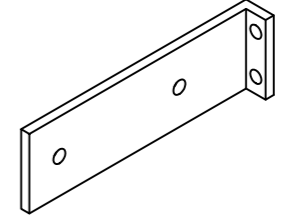
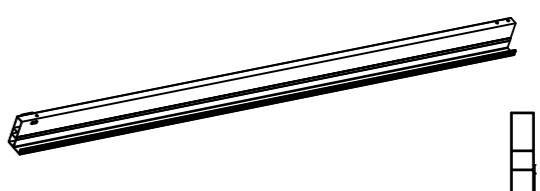
If your wooden wall does not have a wooden frame here, please use Wood screen-2: M8 \* 20

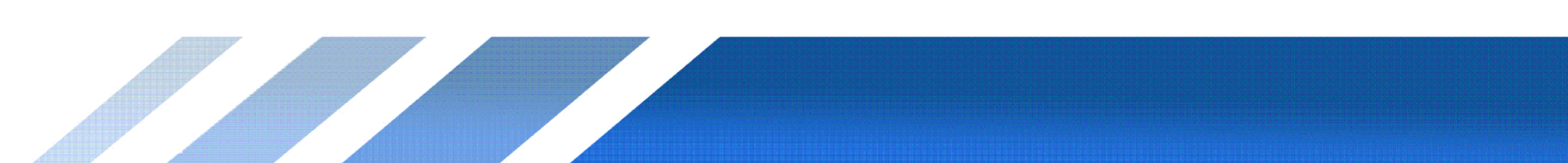


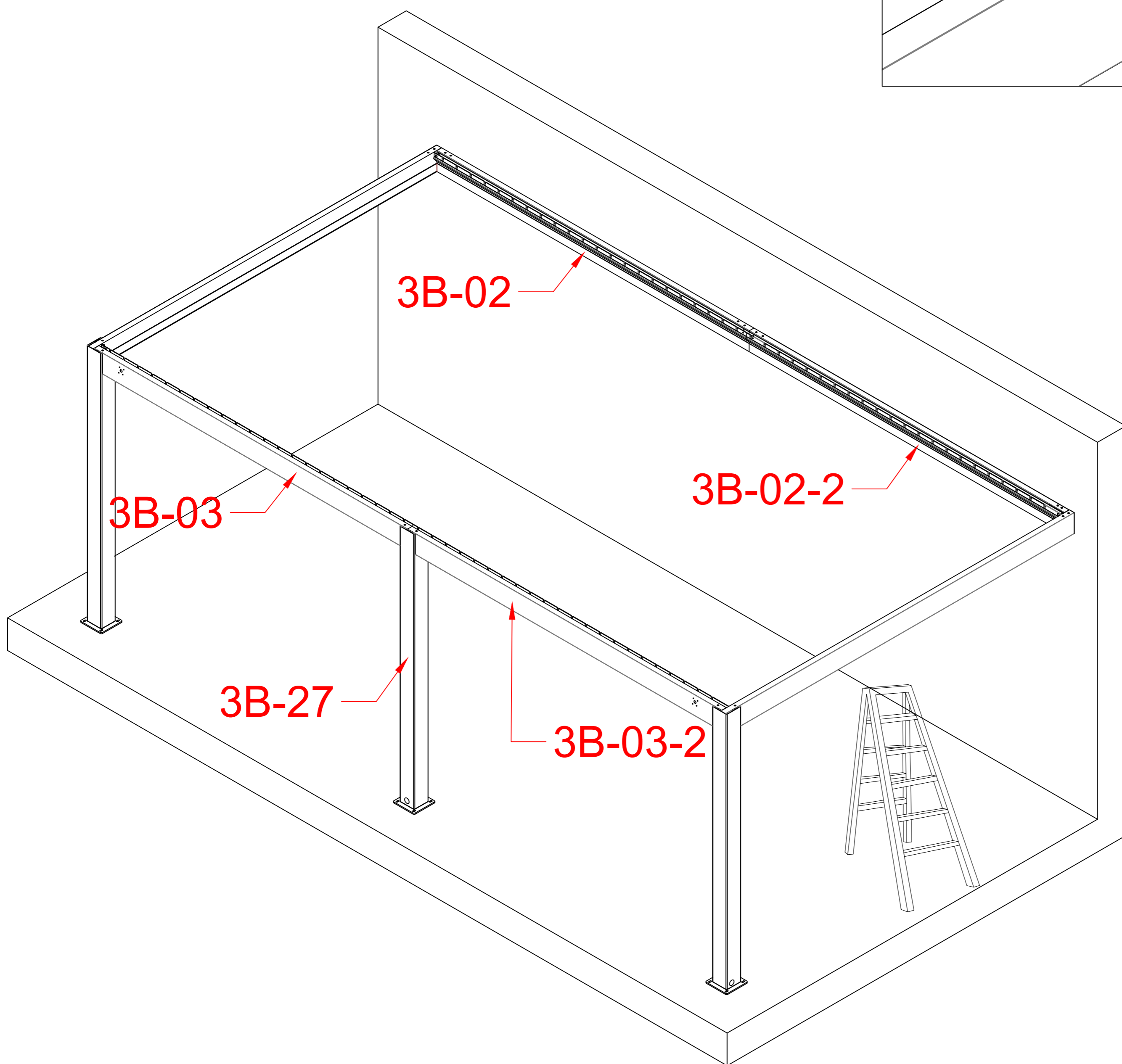
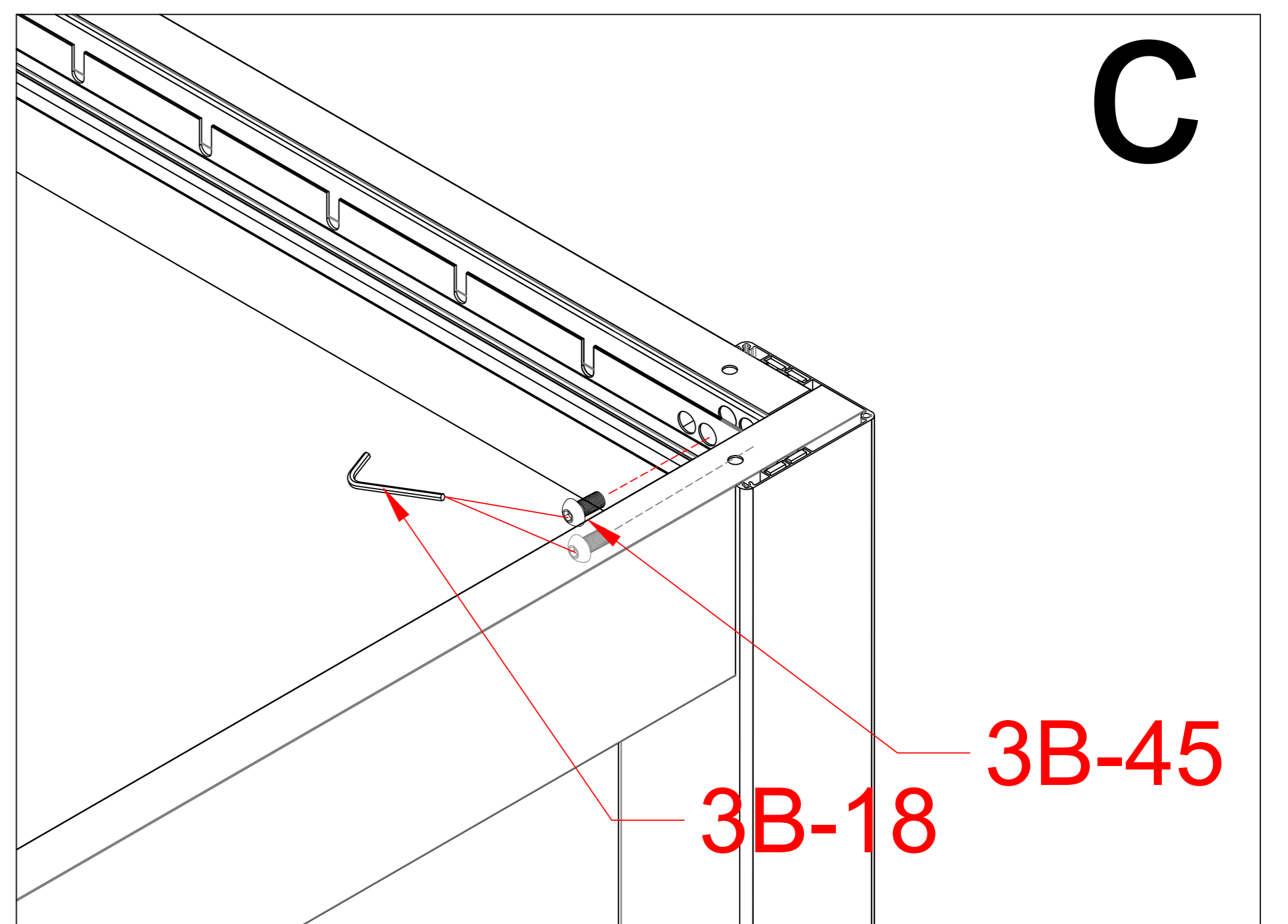
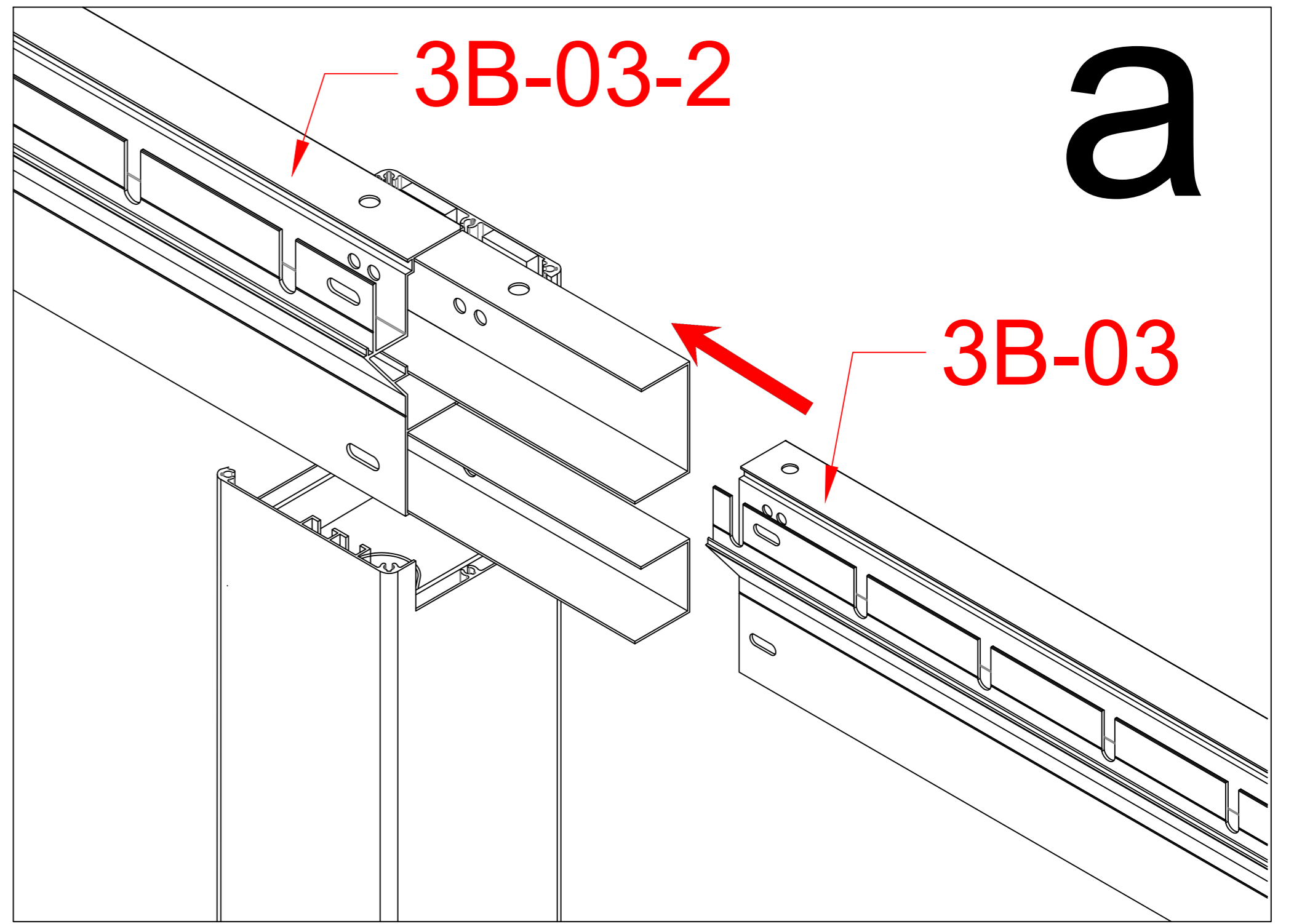
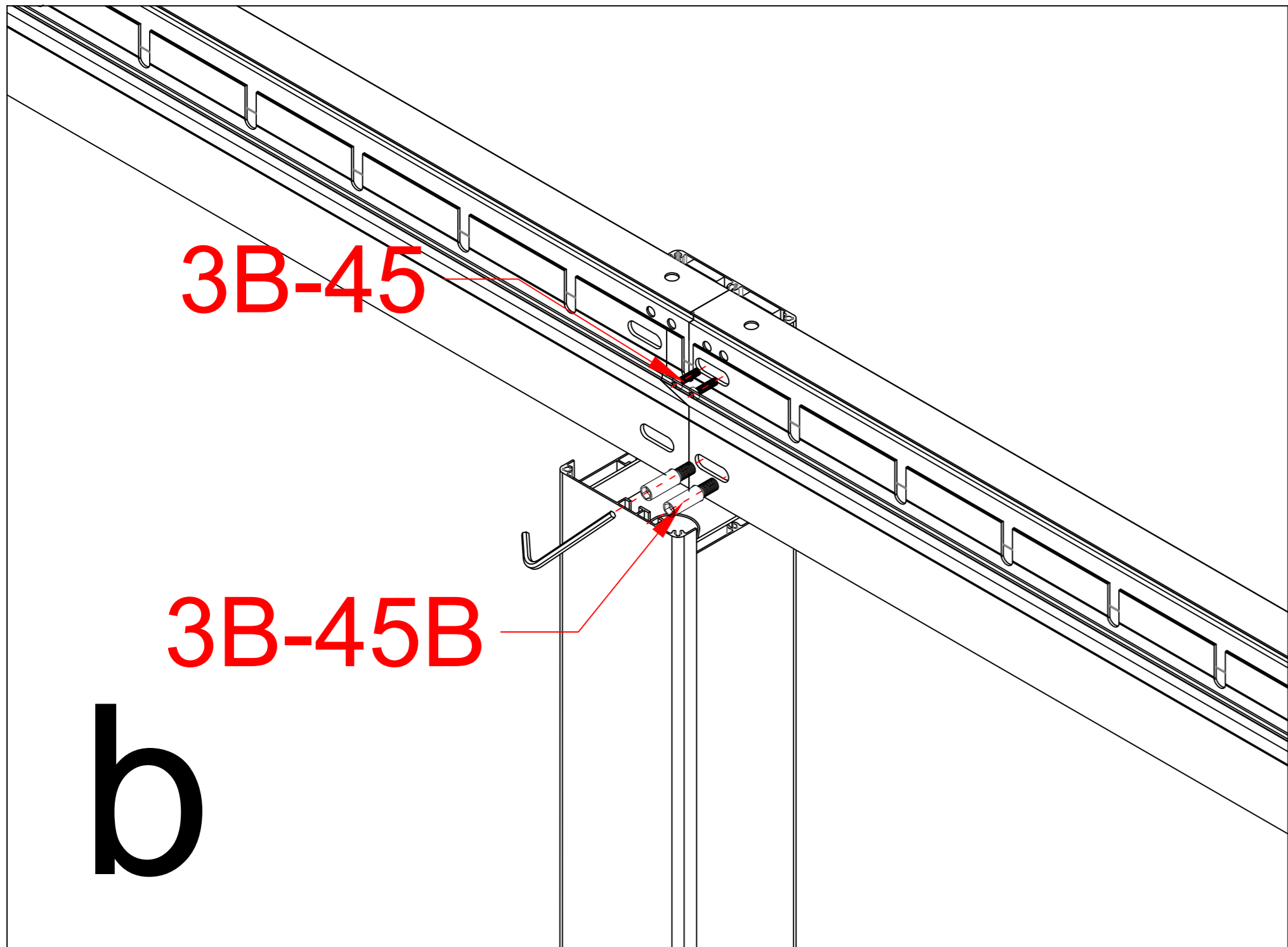
3B-36	Cement wall screw M8*80	Wood screw-1 M8*60	Wood screw-2 M8*20 Additional accessories	4
3B-02				1
3B-02-2				1
3B-54	 M4.2*25			8

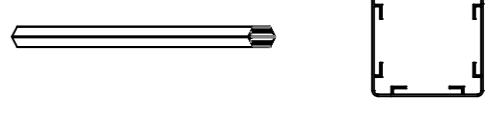
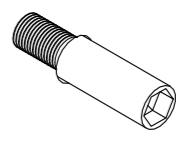
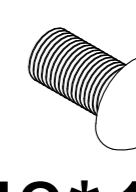
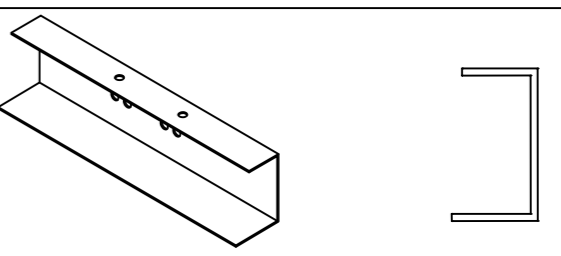
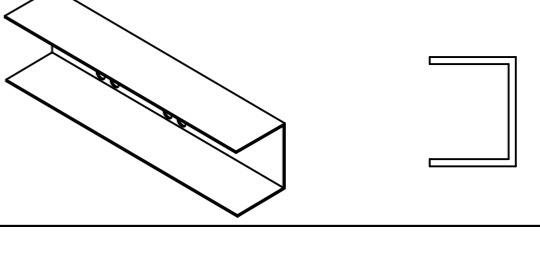
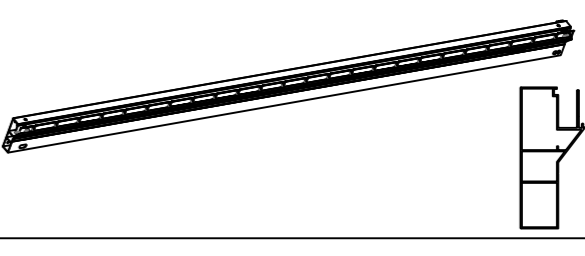
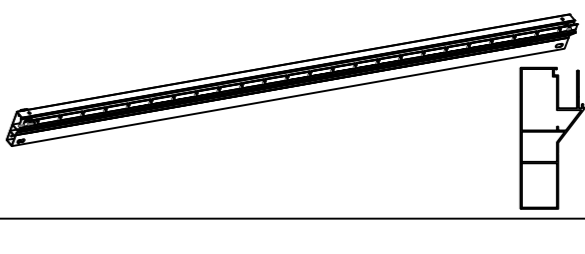
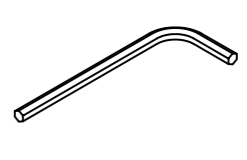


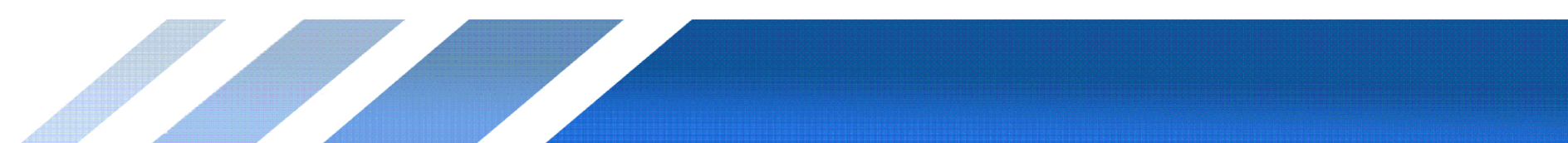


3B-42a	 M6*16	10
3B-42b	 M6*16 P	8
3B-40		2
3B-41		2
3B-04		2





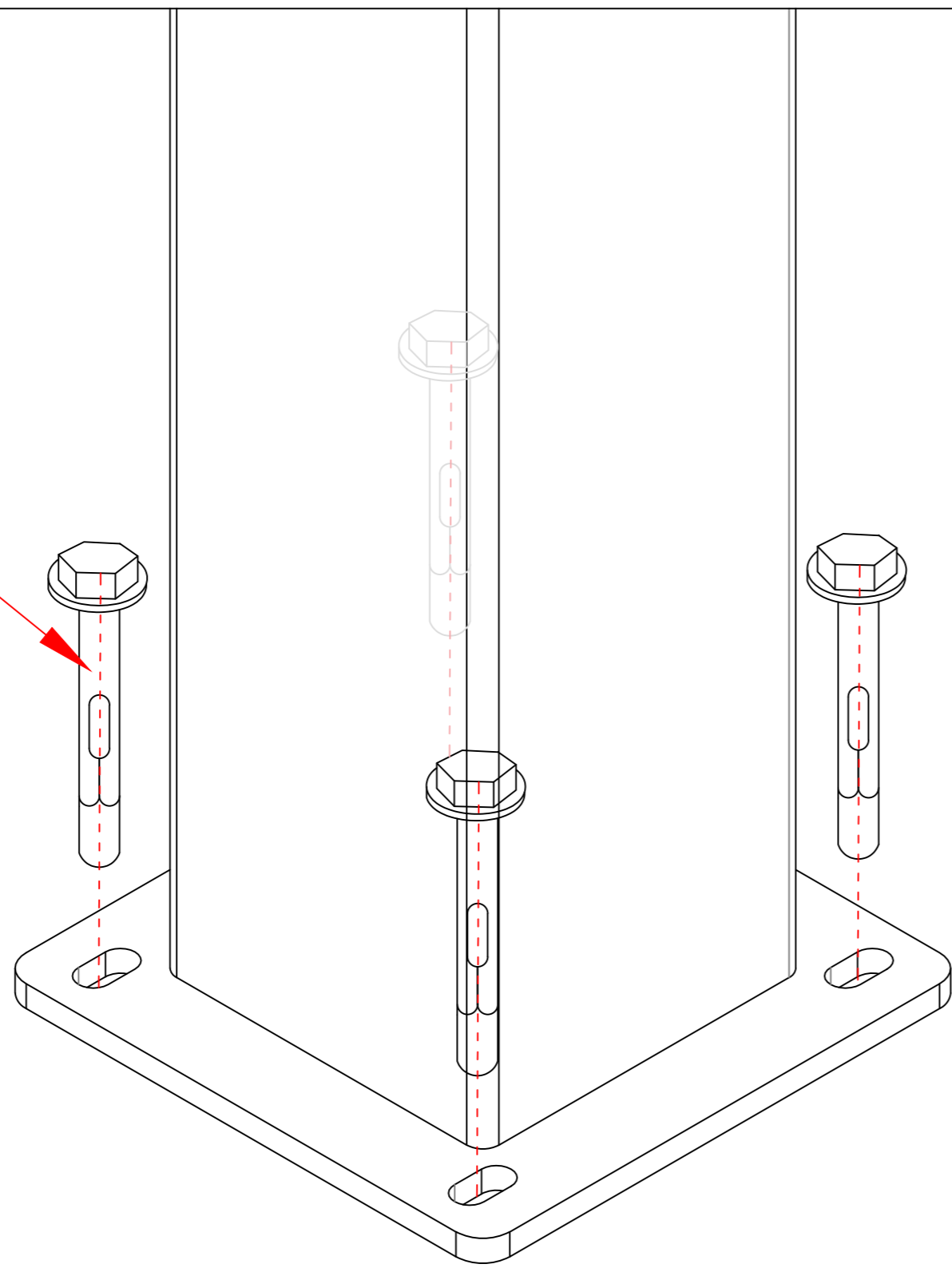
3B-27		1
3B-45B		4
3B-45	 M8*10	4
3B-32		1
3B-33		1
3B-03		1
3B-03-2		1
3B-18		1



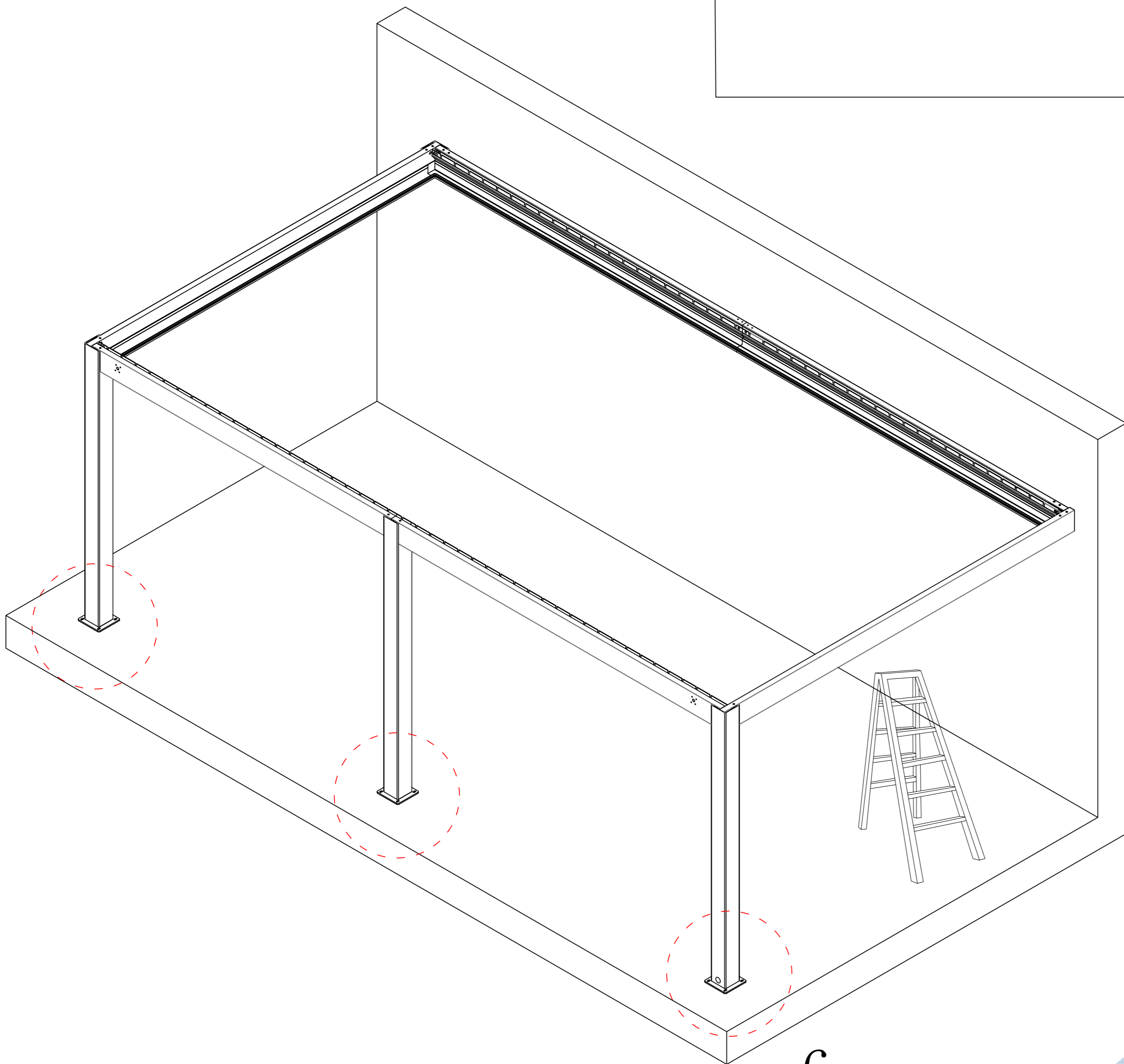
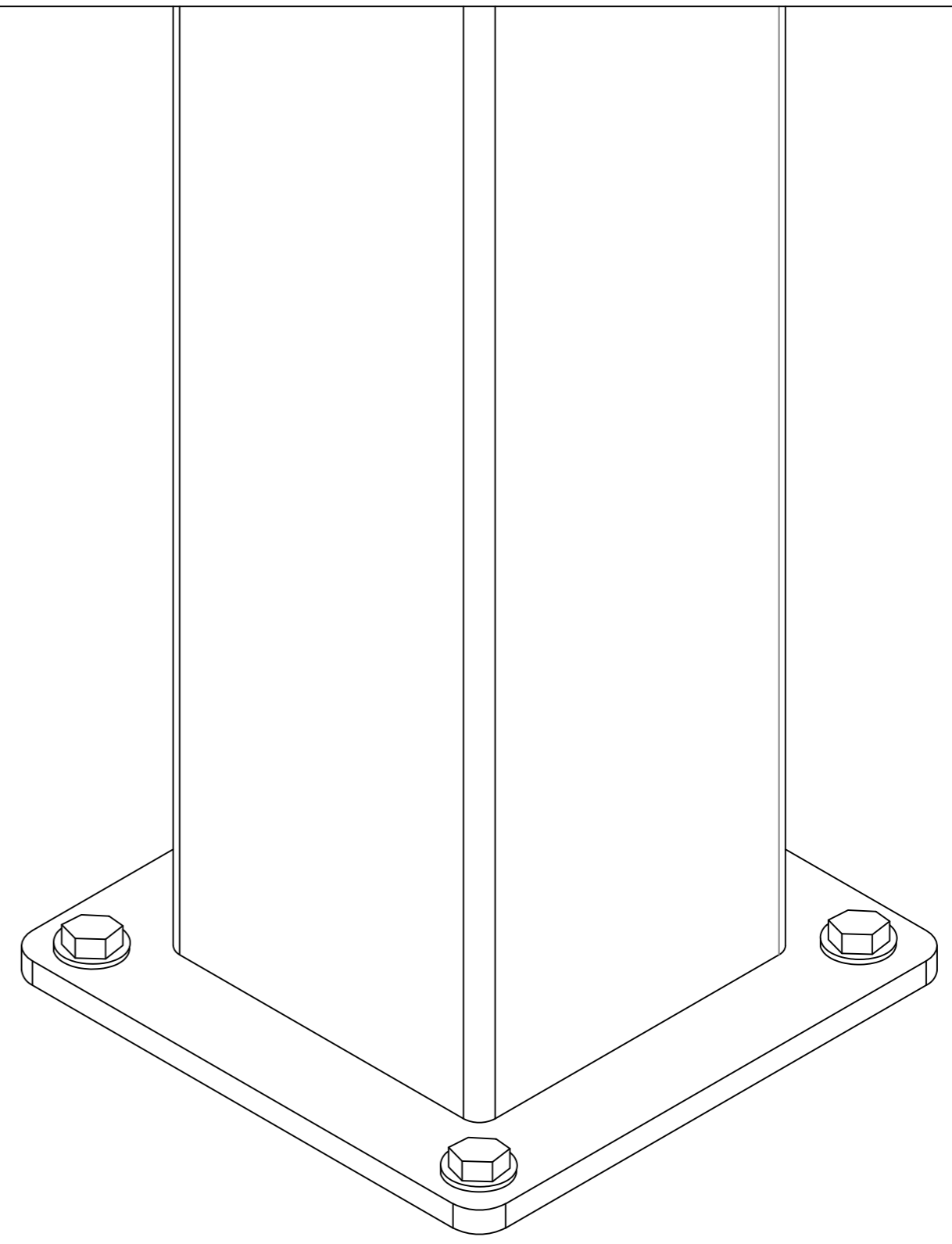


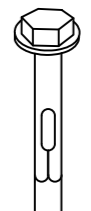
**a**

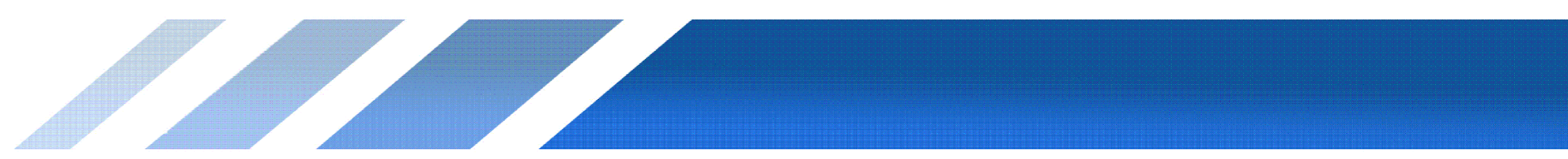
**3B-21**

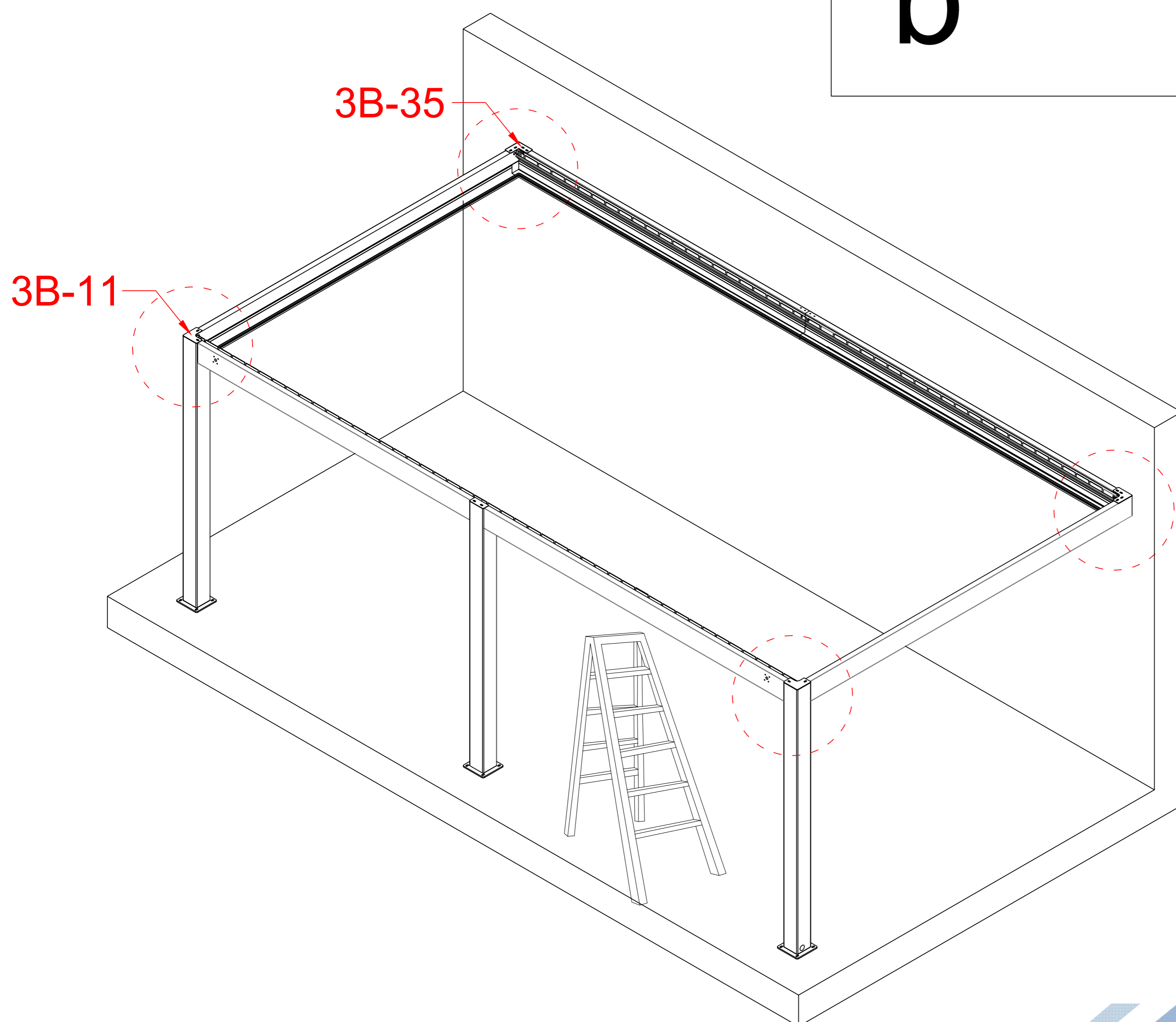
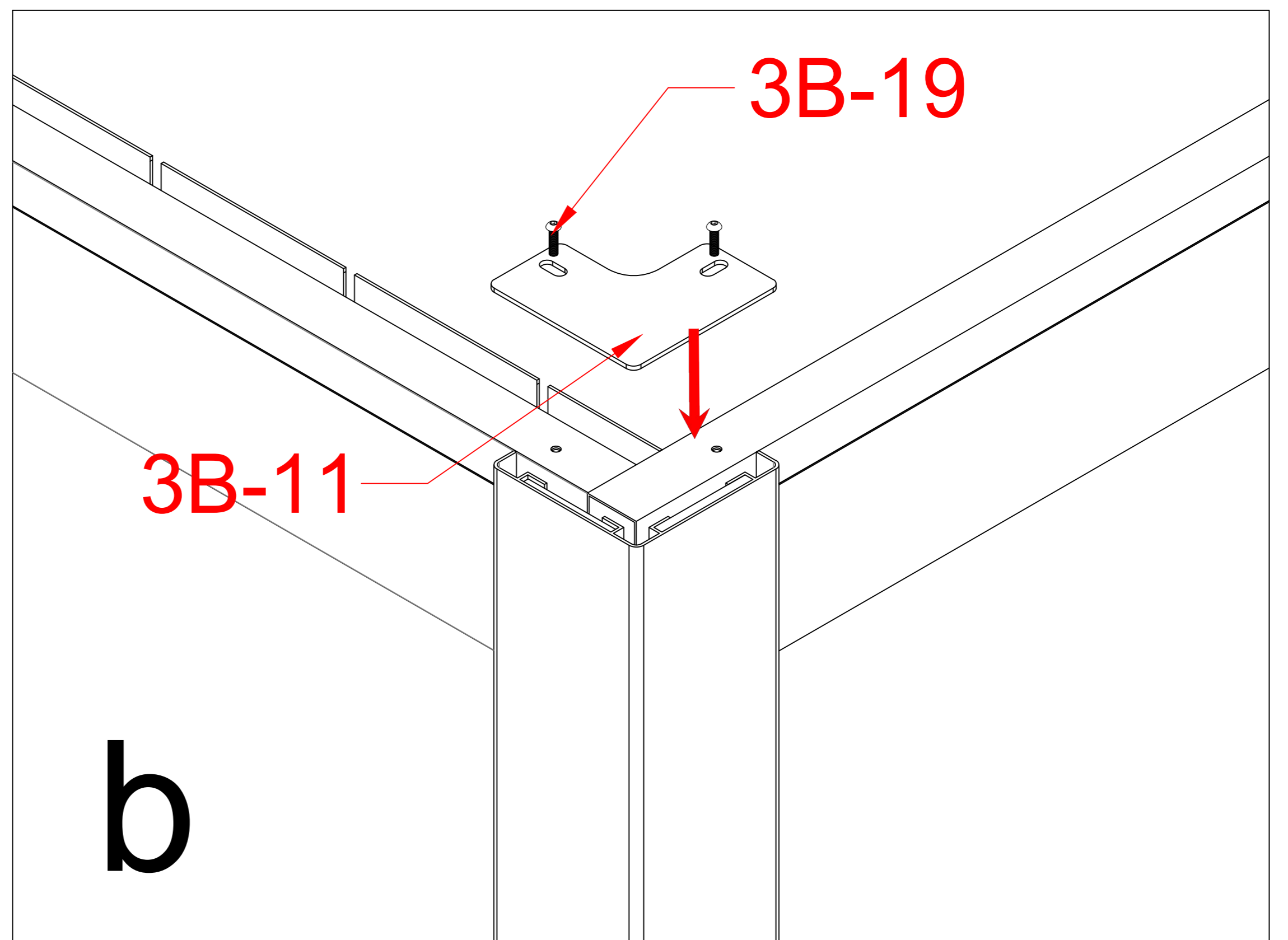
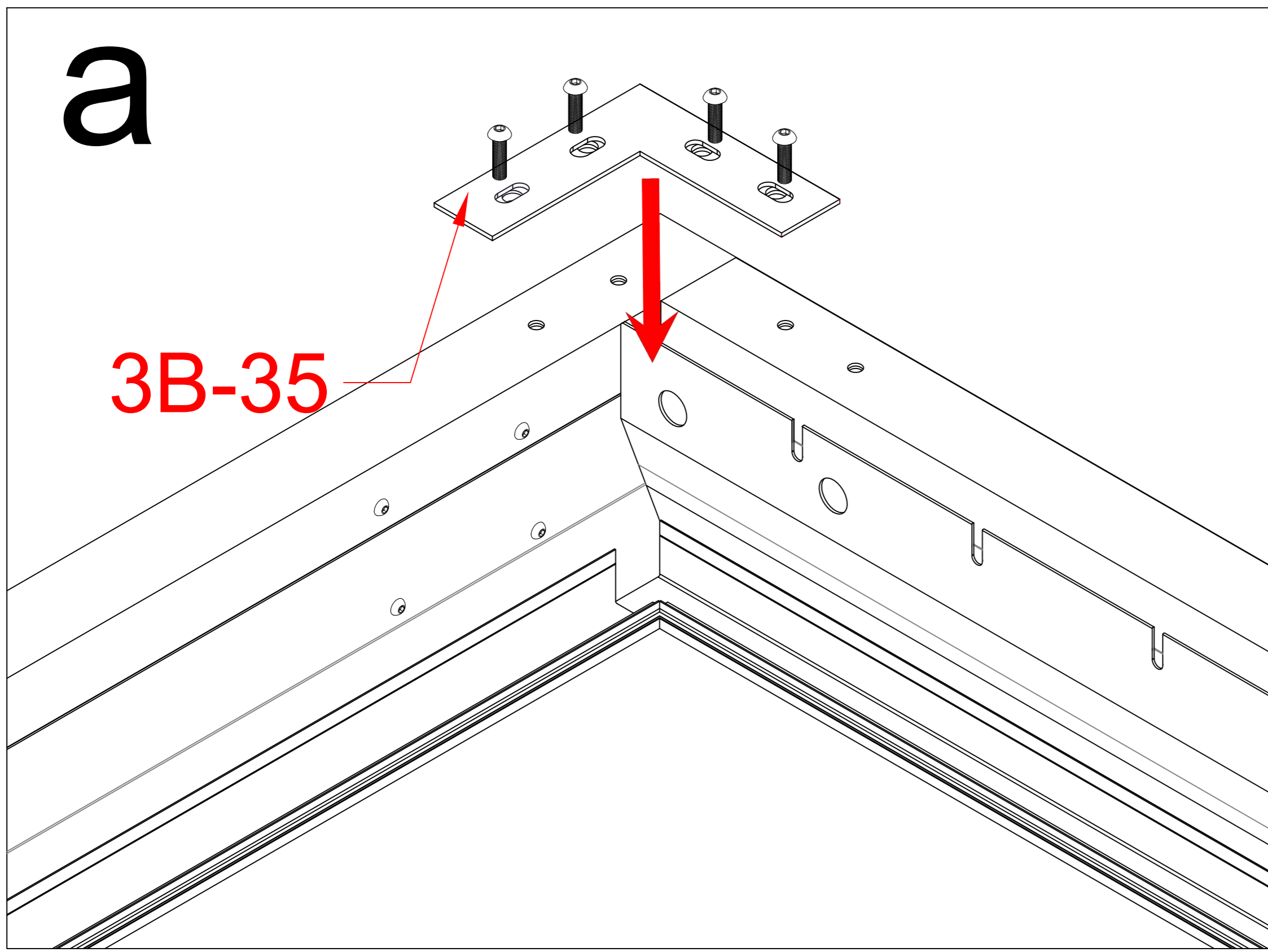


**b**

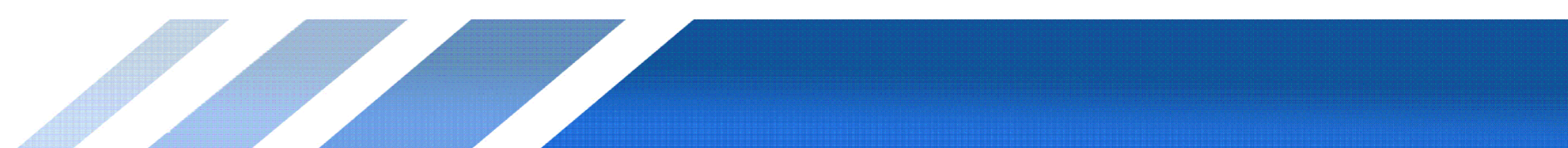


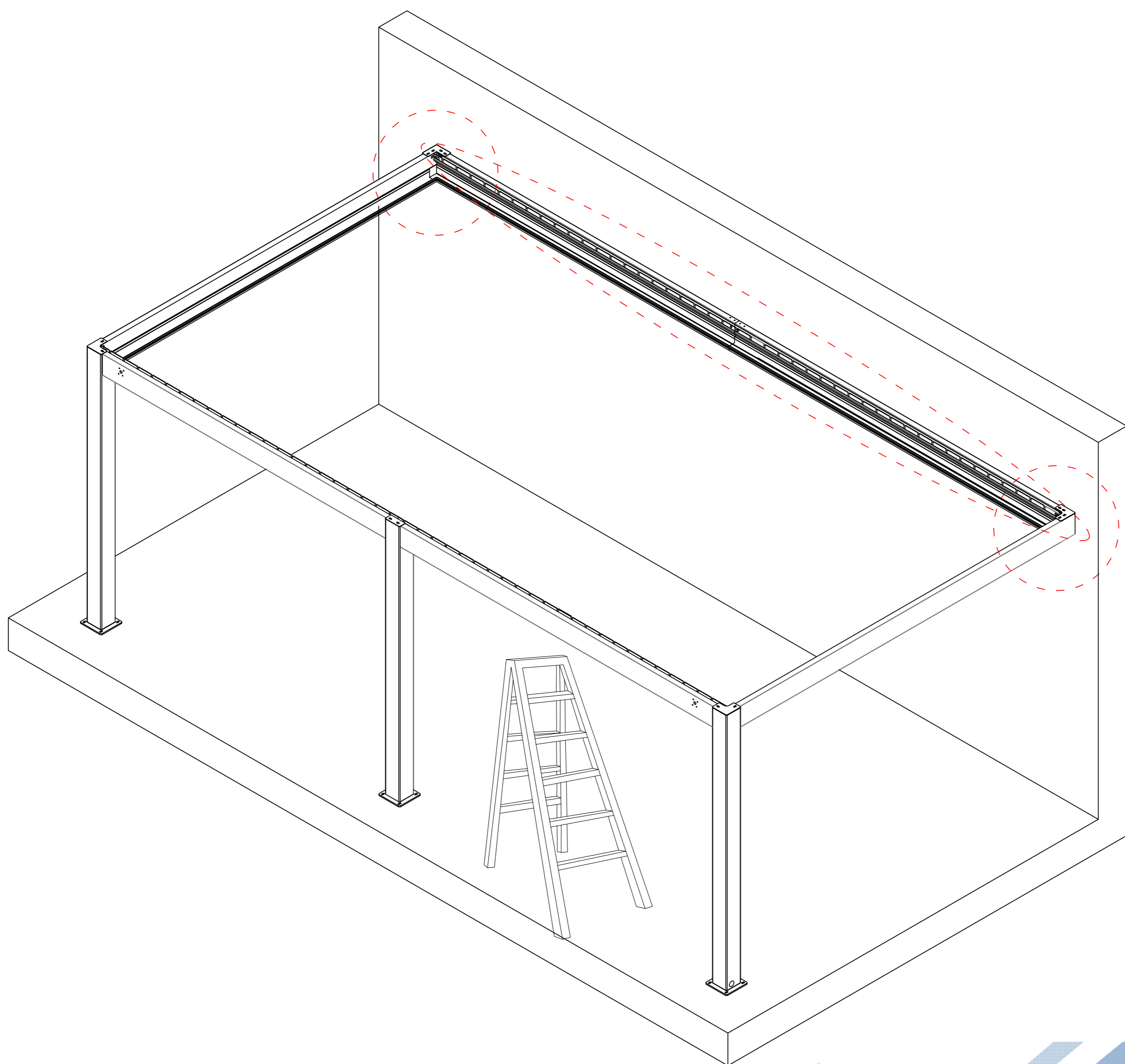
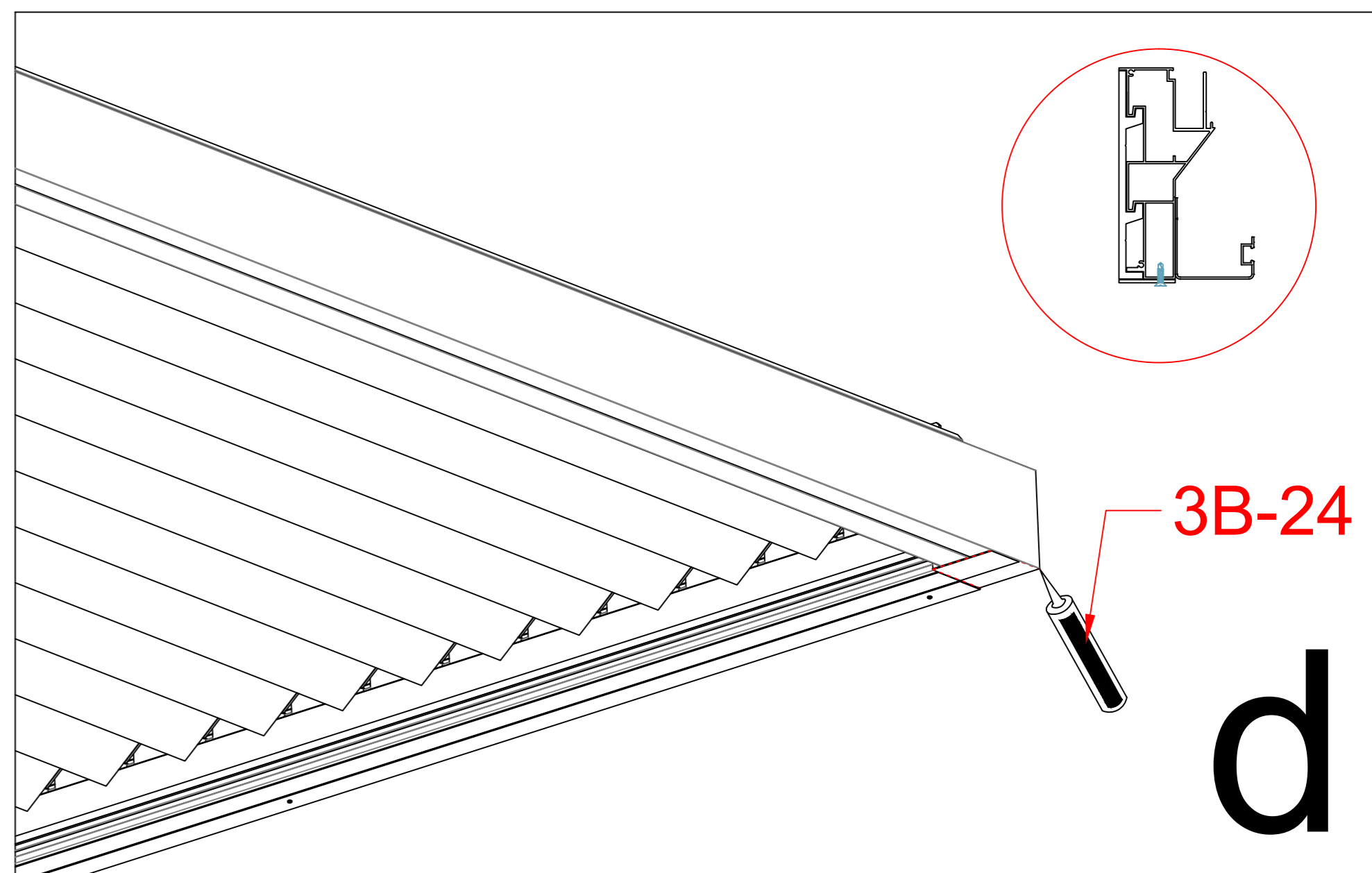
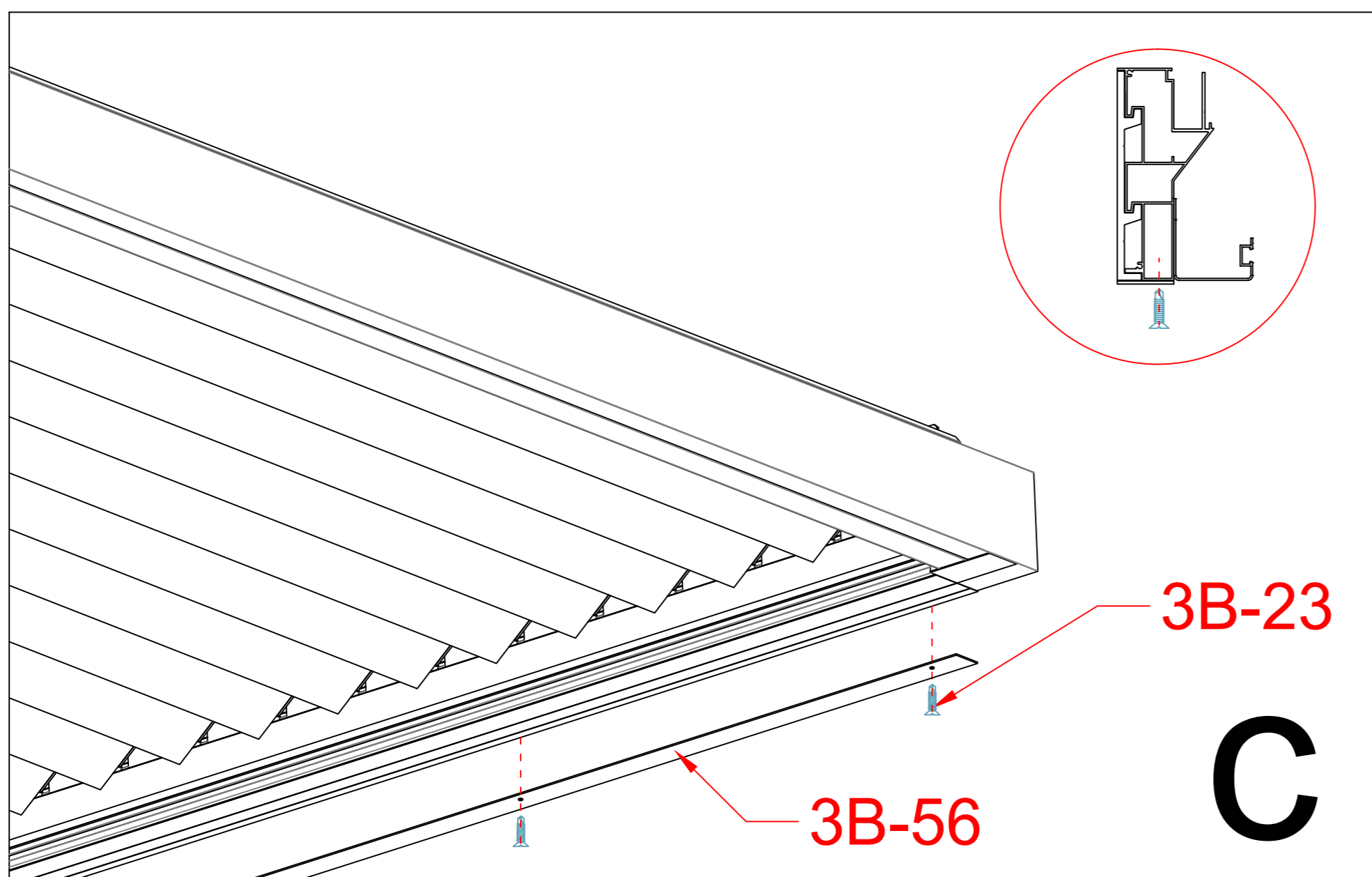
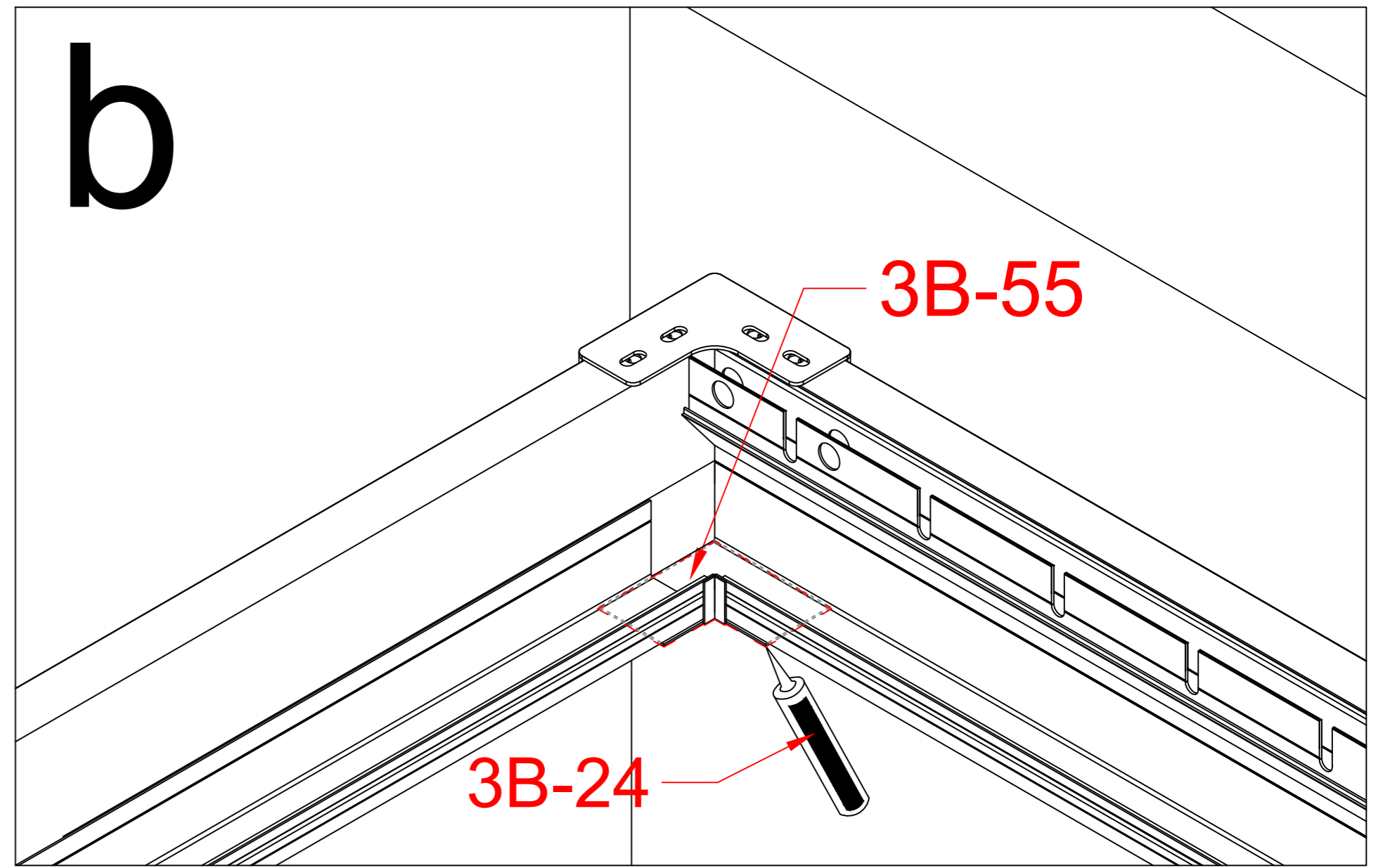
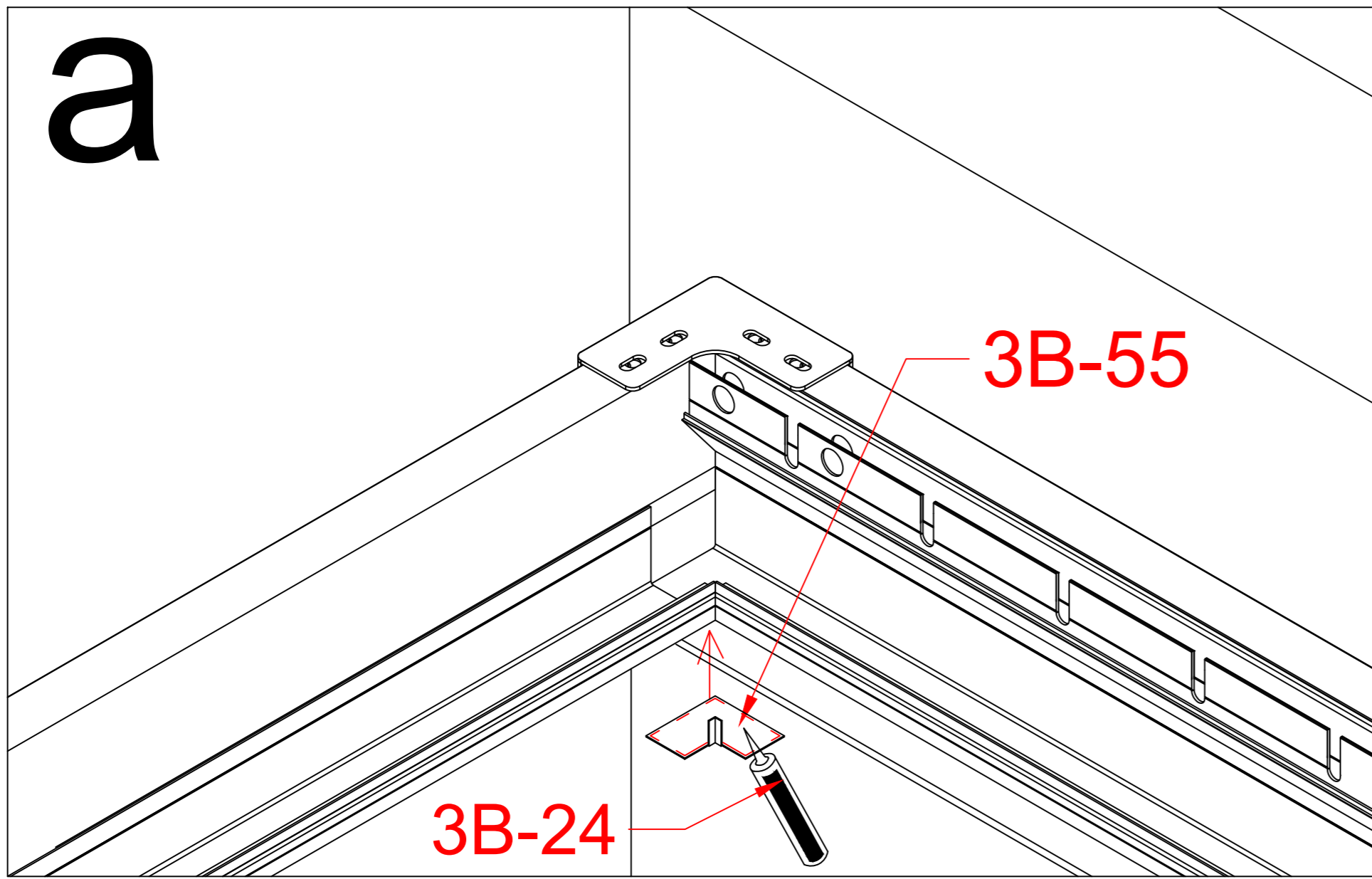
3B-21		12
-------	---	----



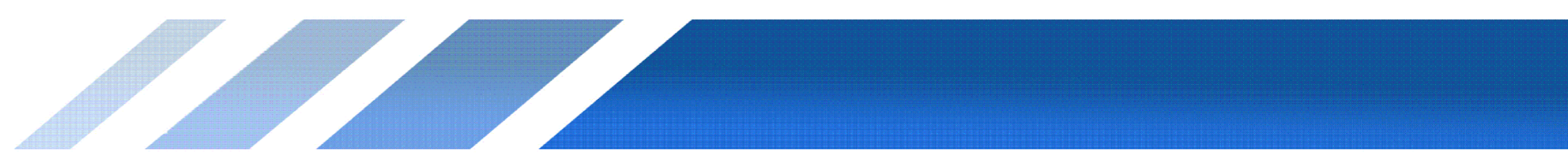


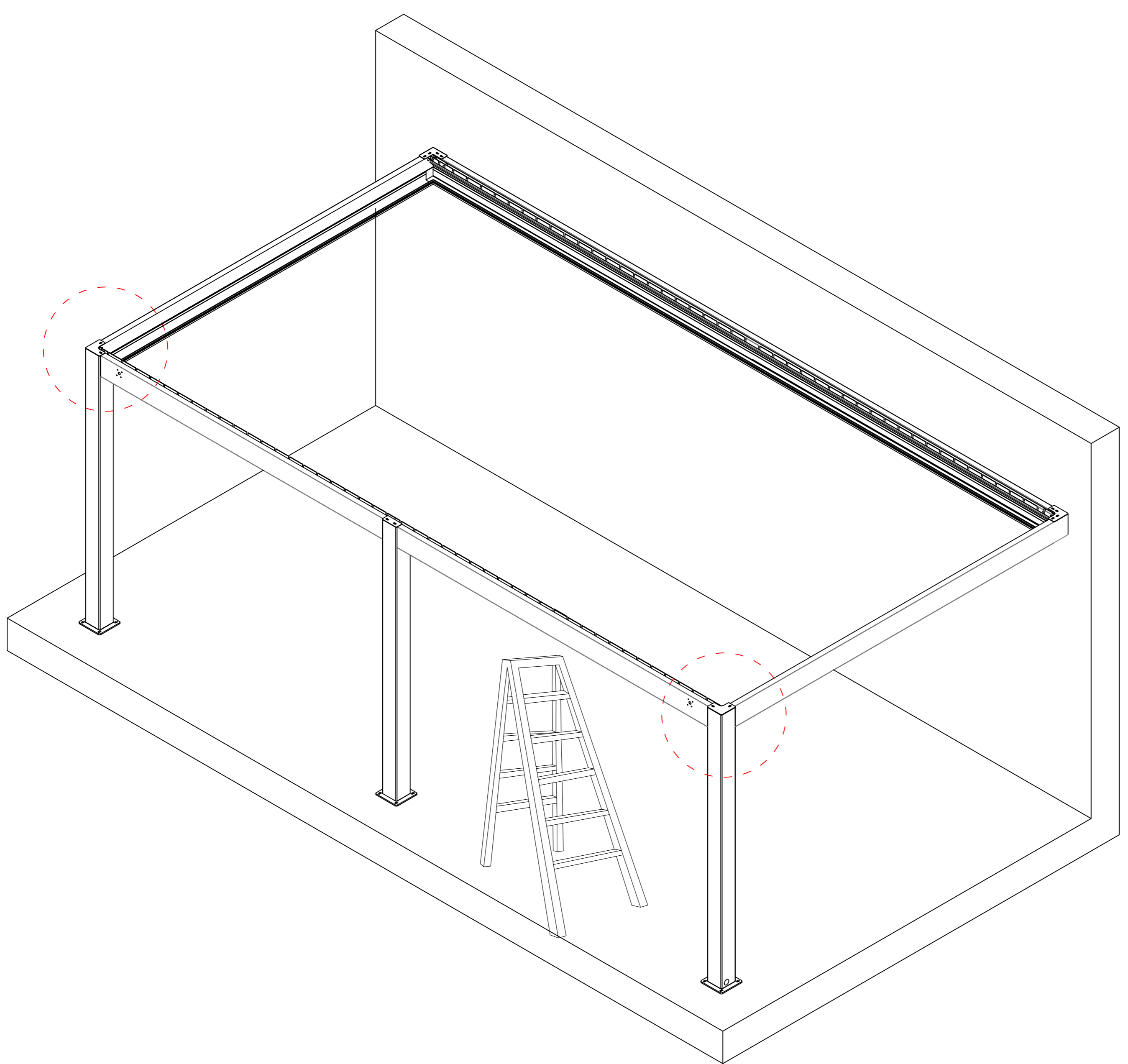
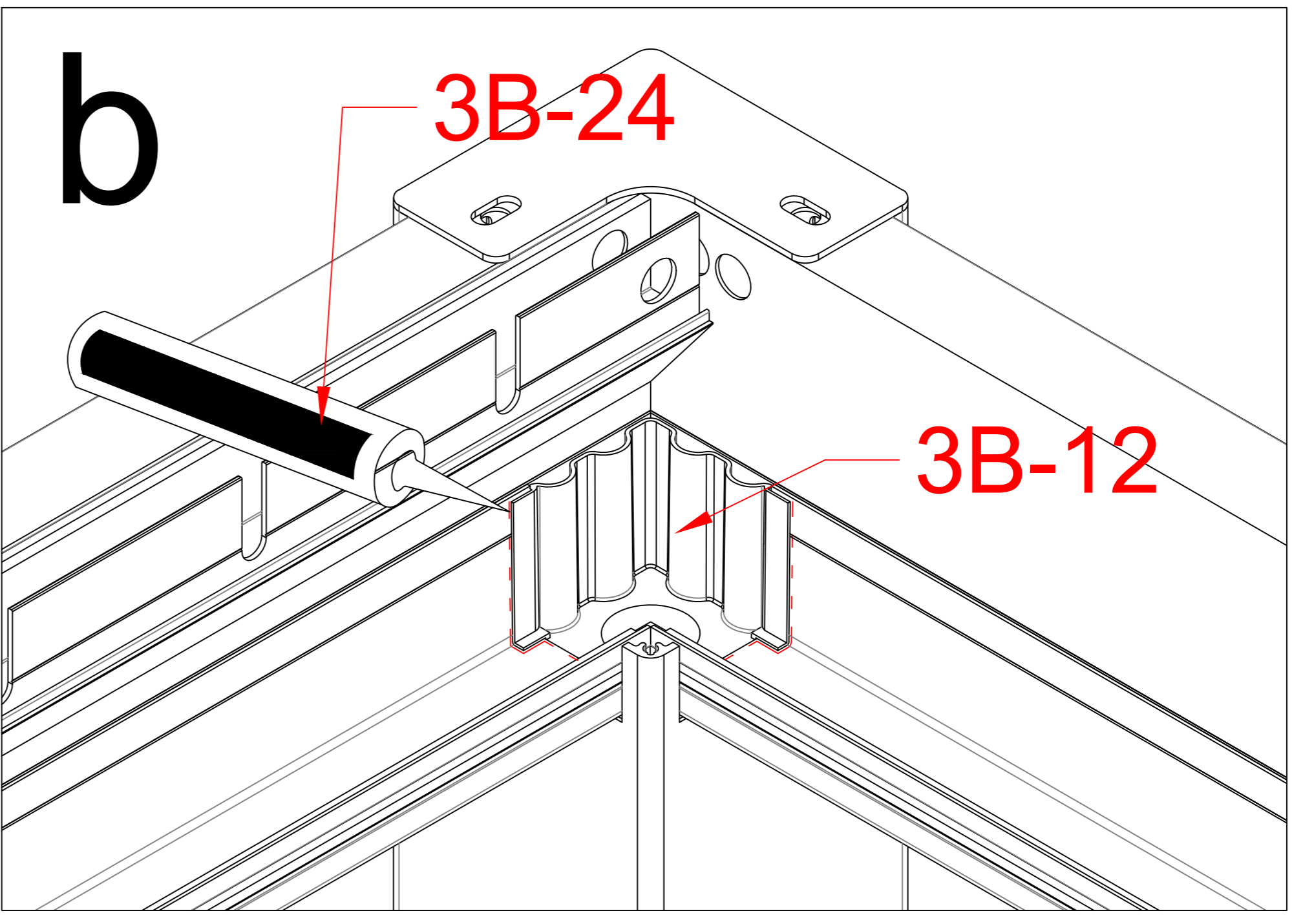
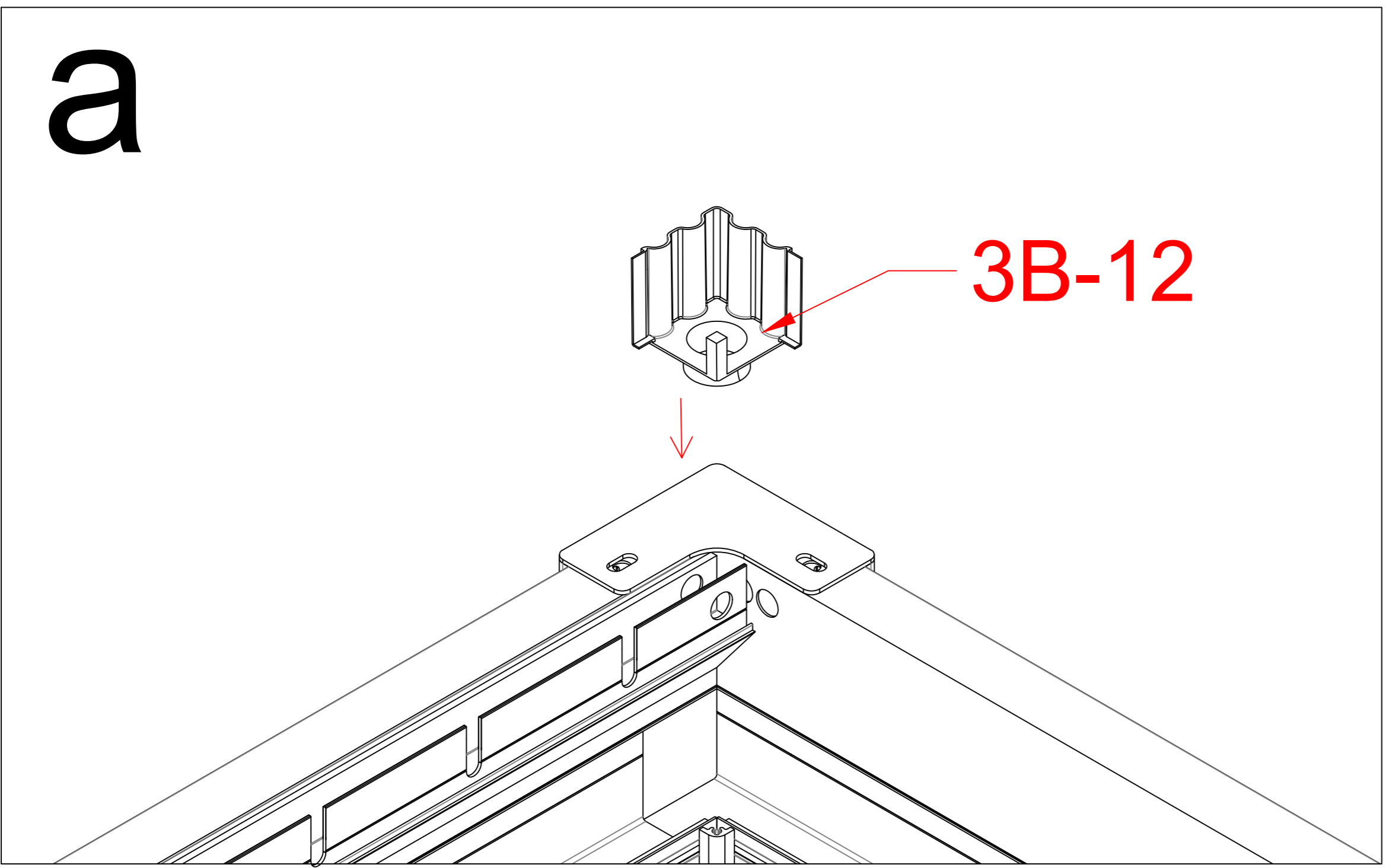
3B-26		2
3B-35		2
3B-11		2
3B-19		18



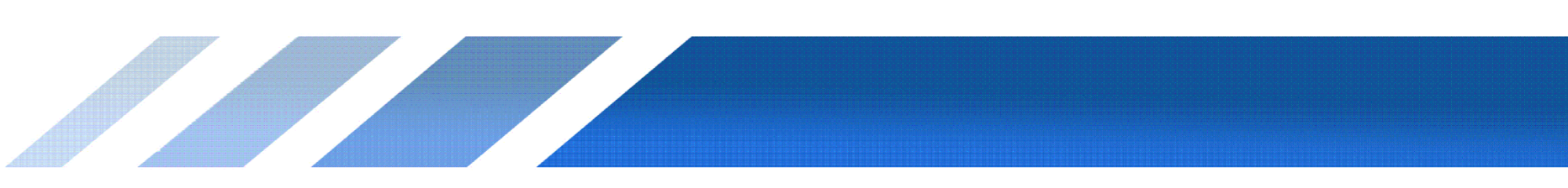


3B-55		2
3B-56		2
3B-23		10

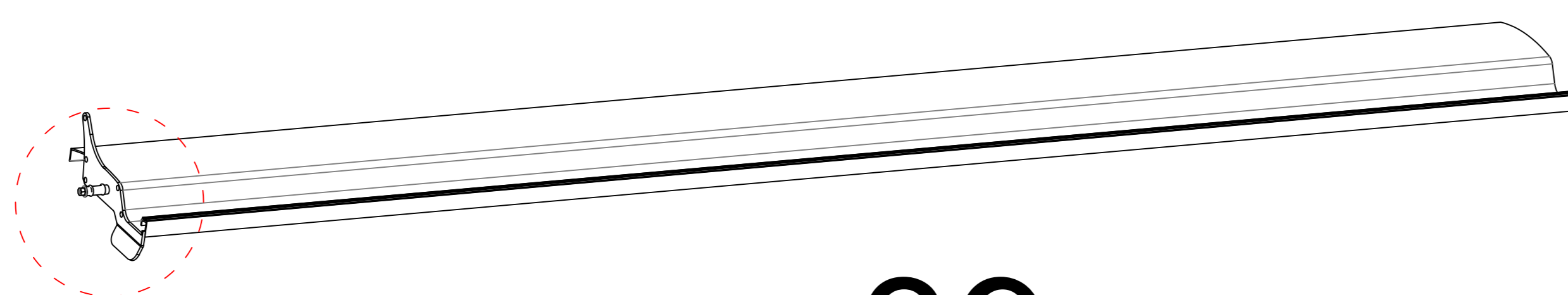
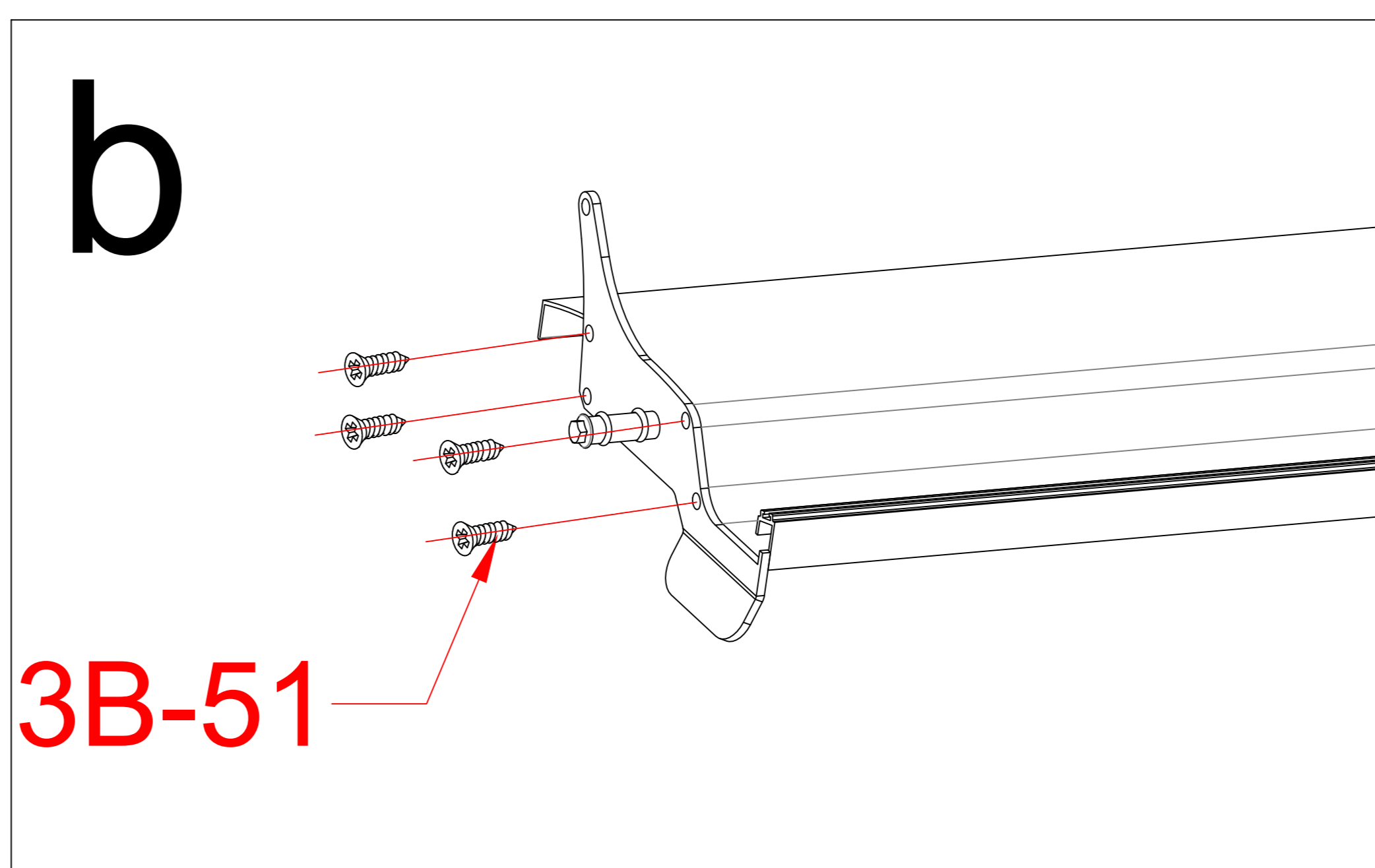
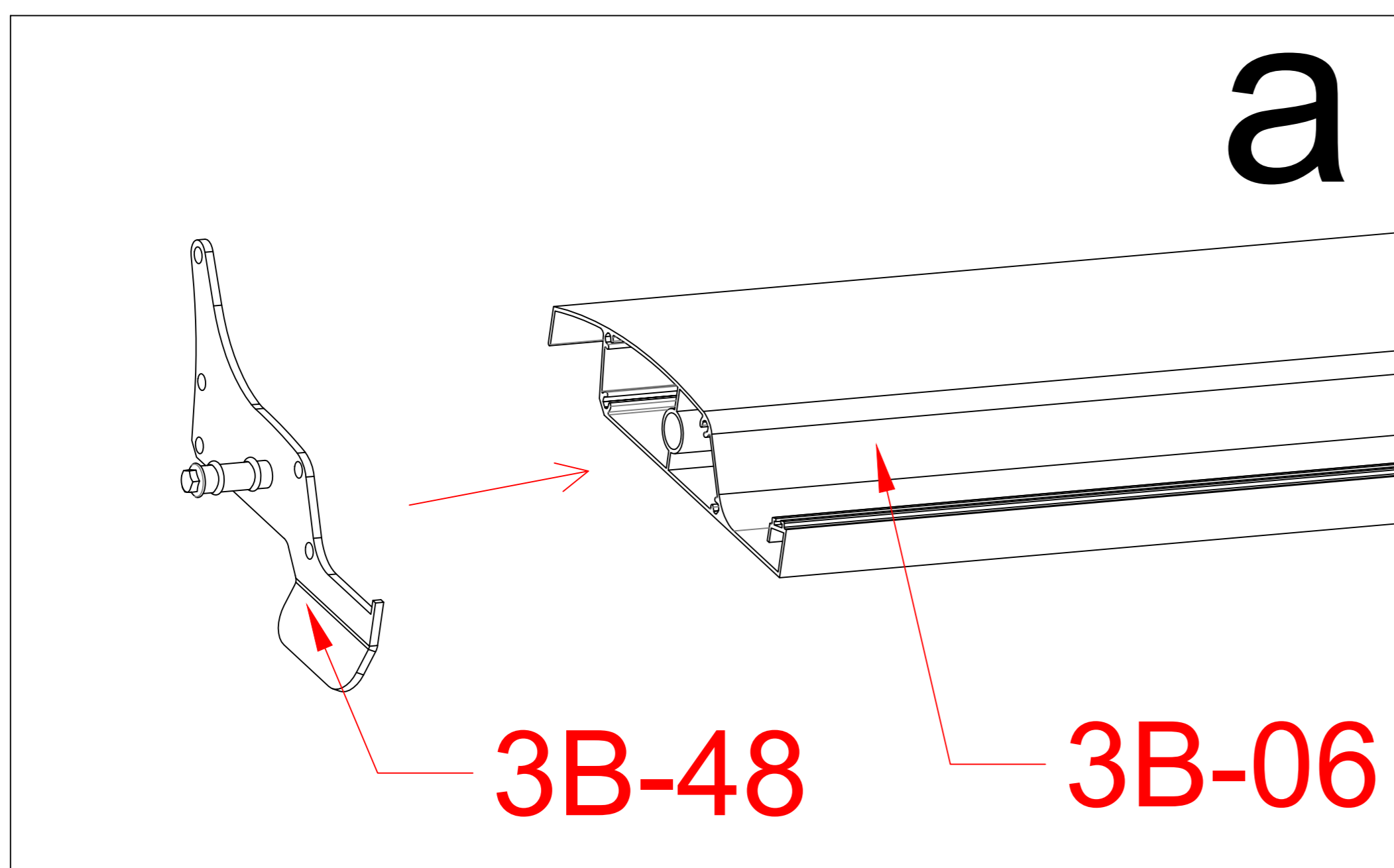






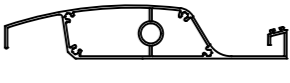
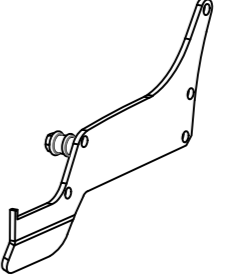
3B-24		1
3B-12		2



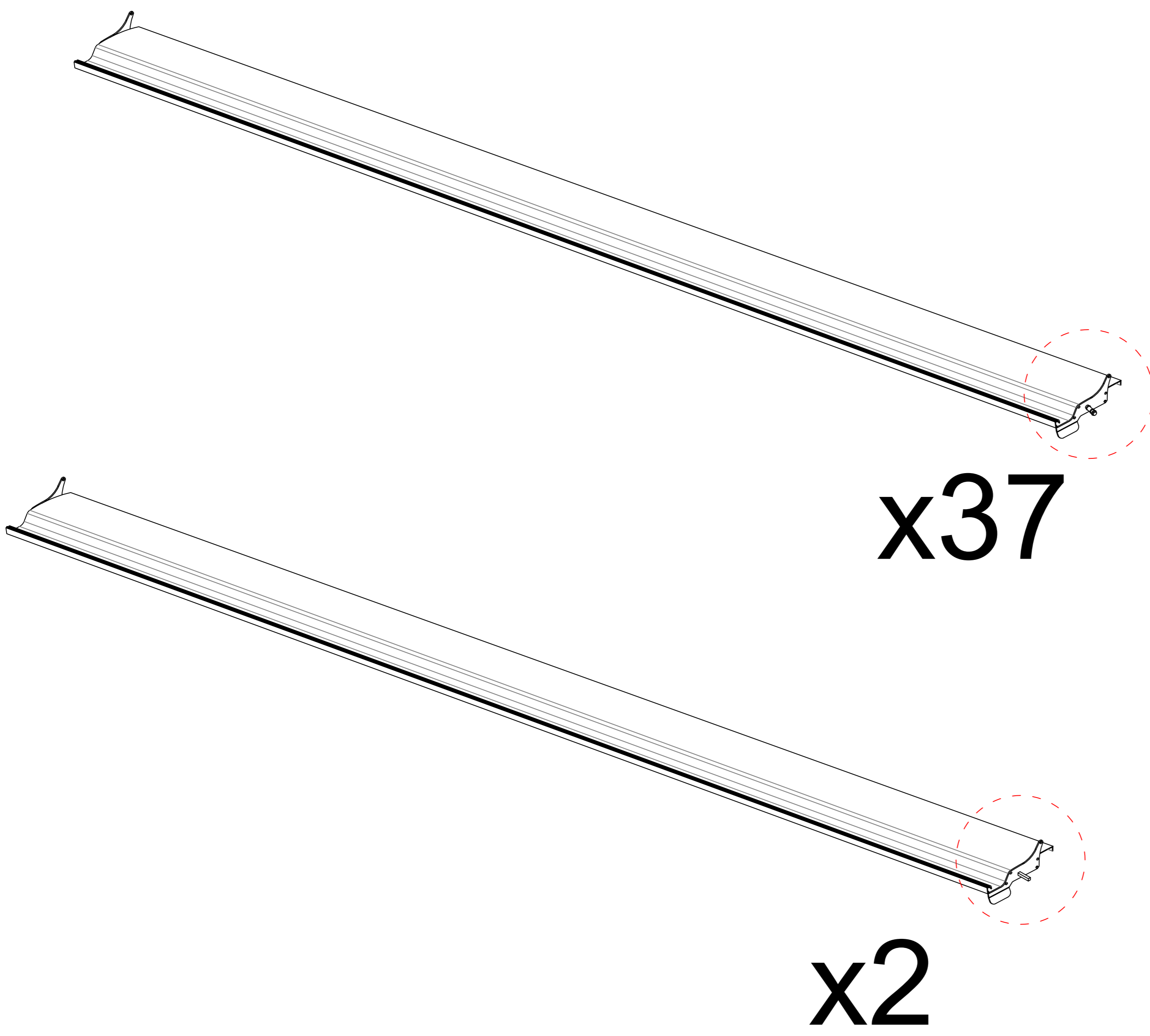
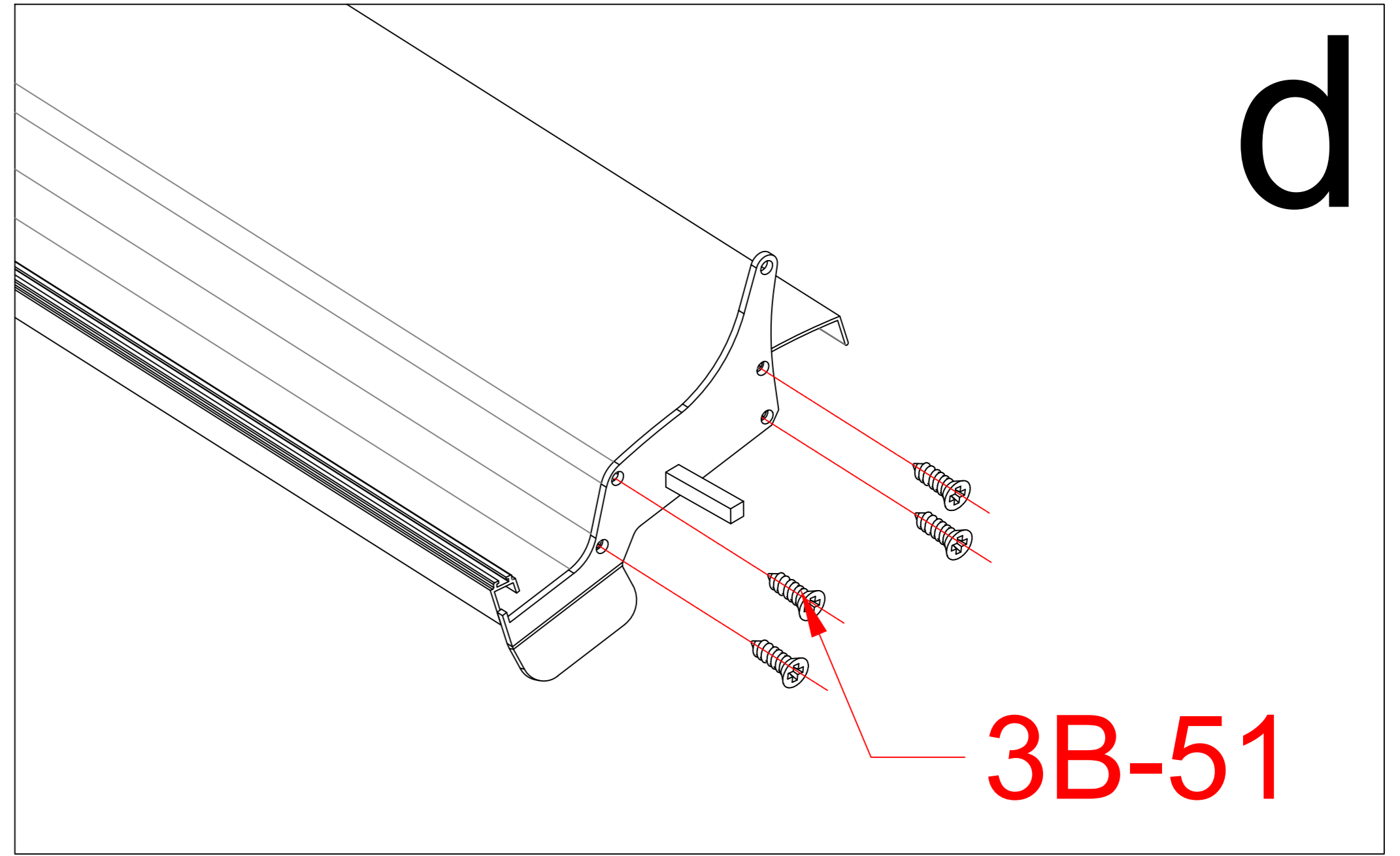
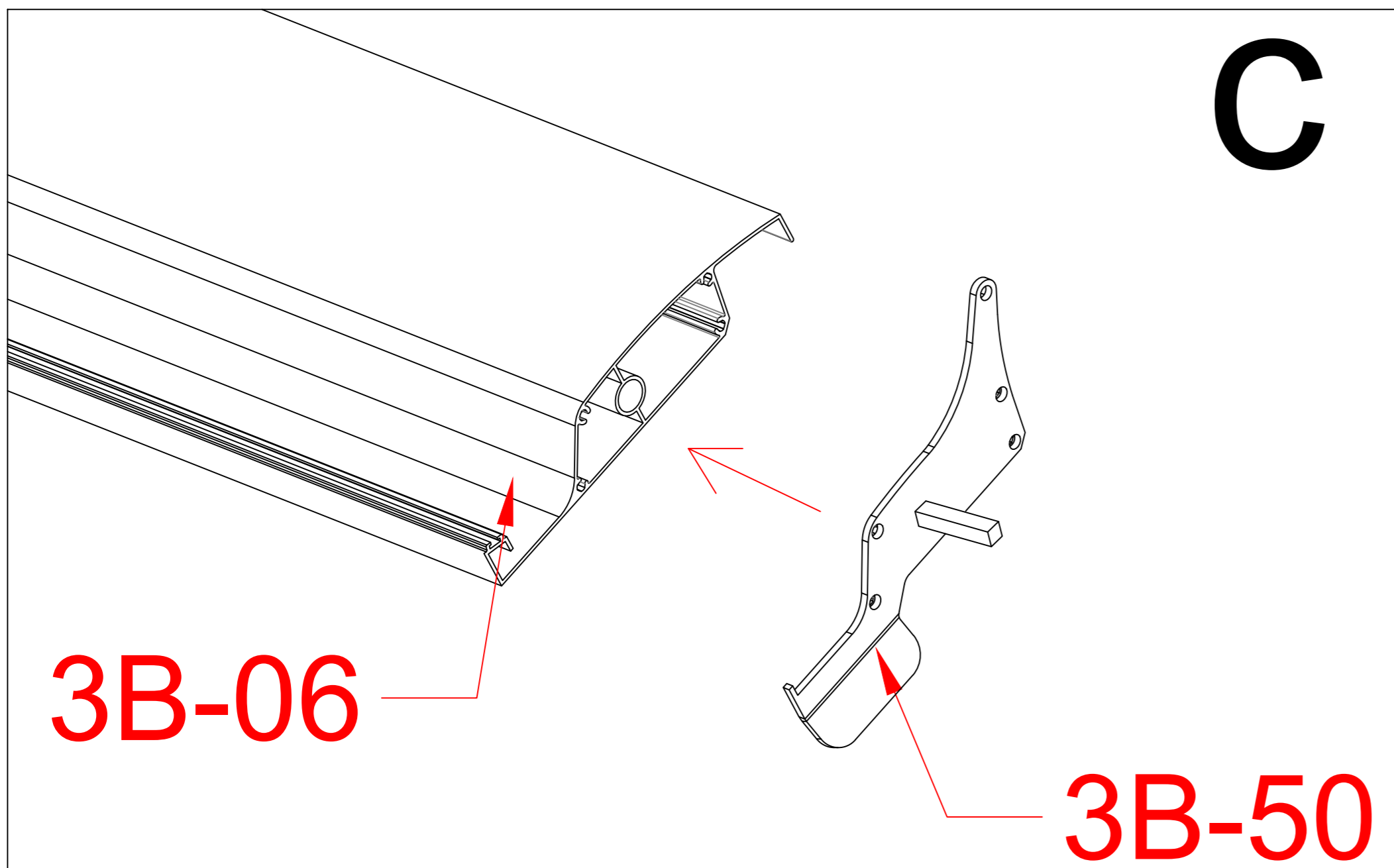
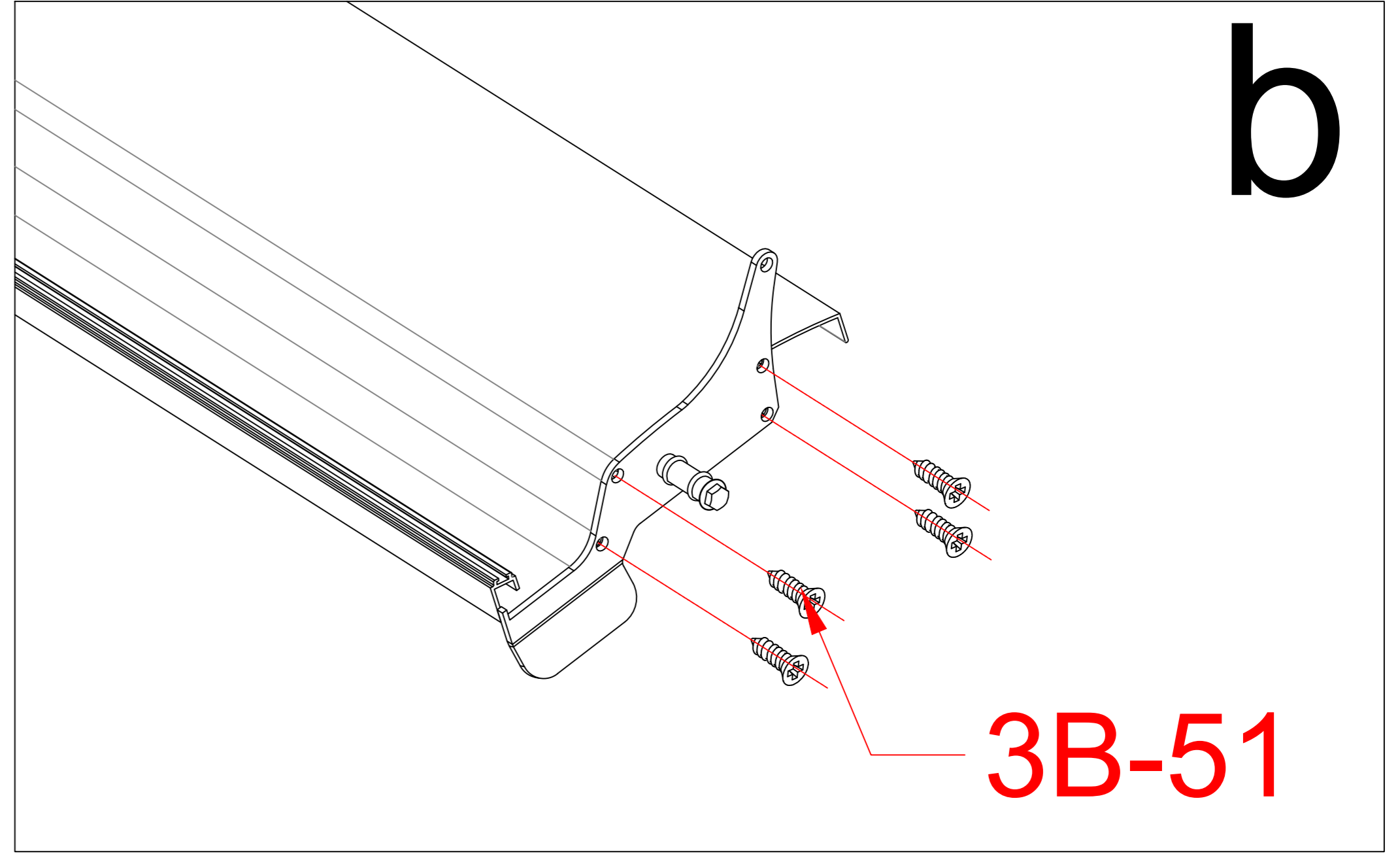
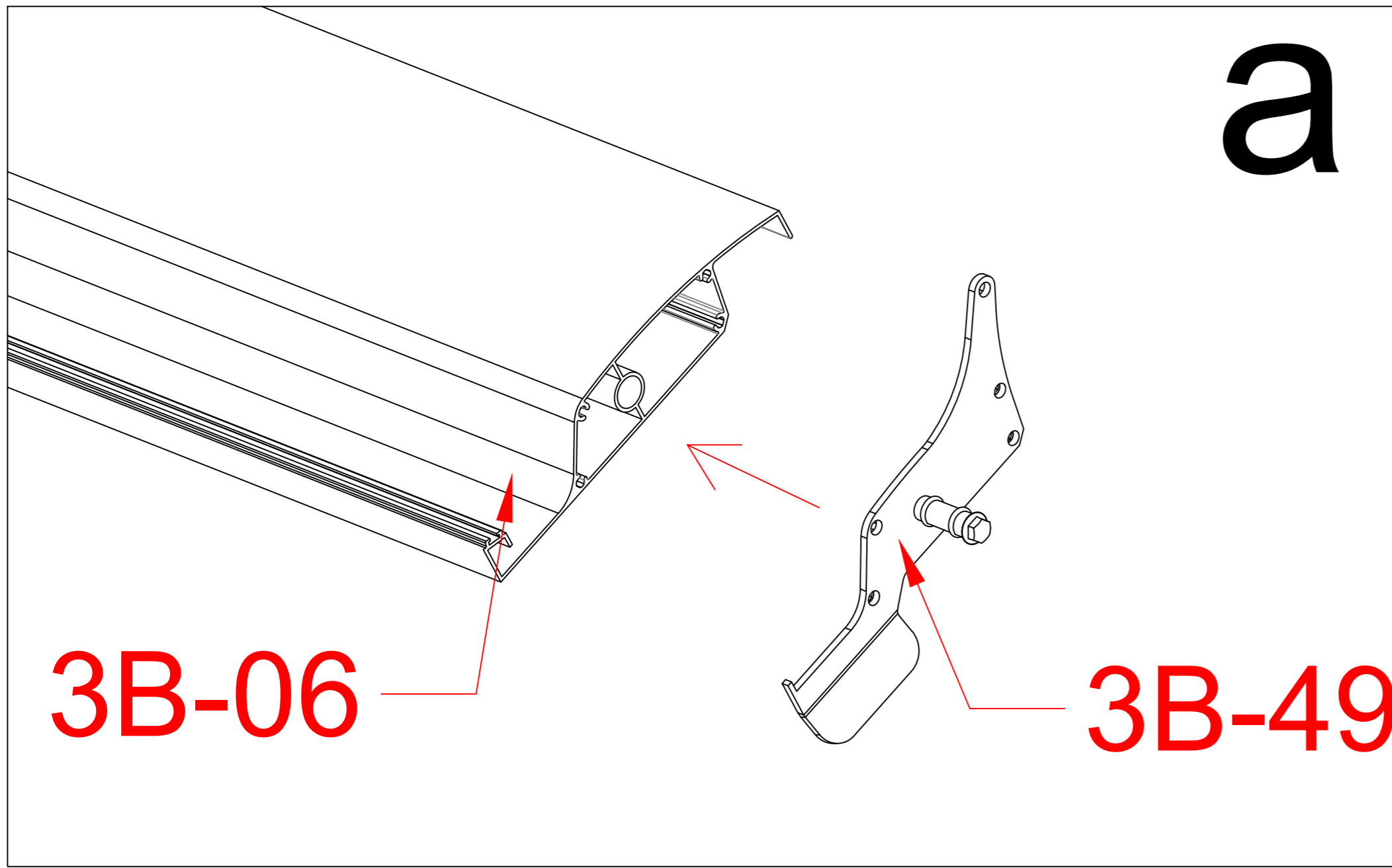


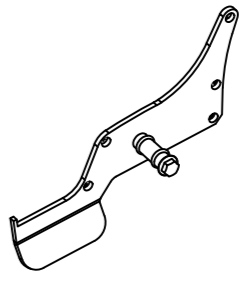
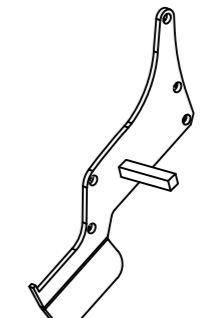



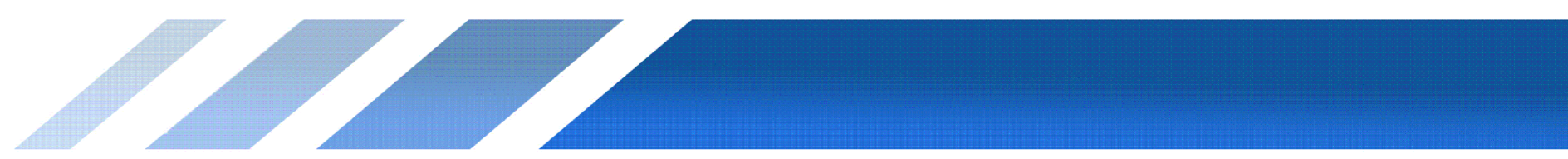
**x39**

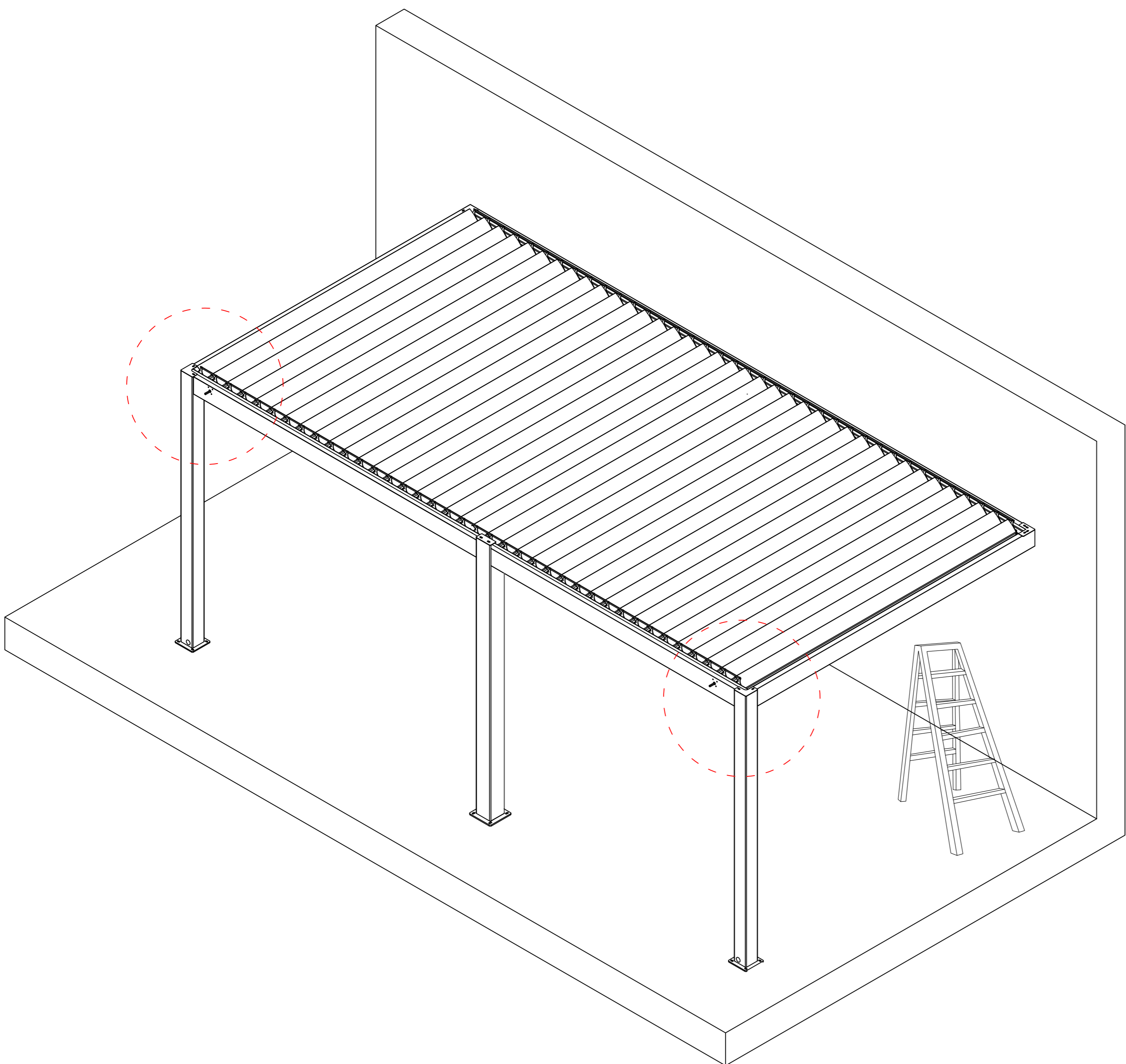
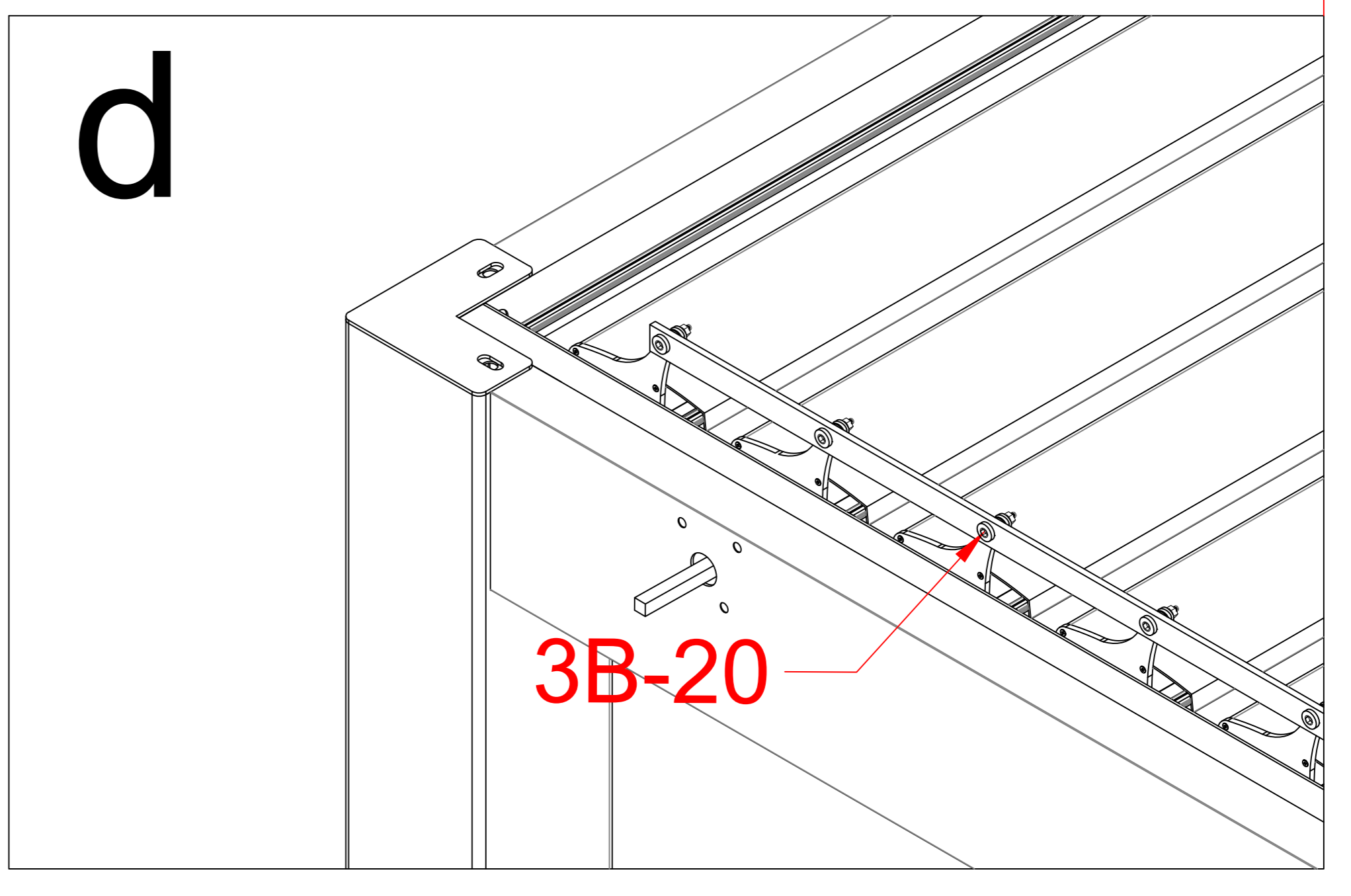
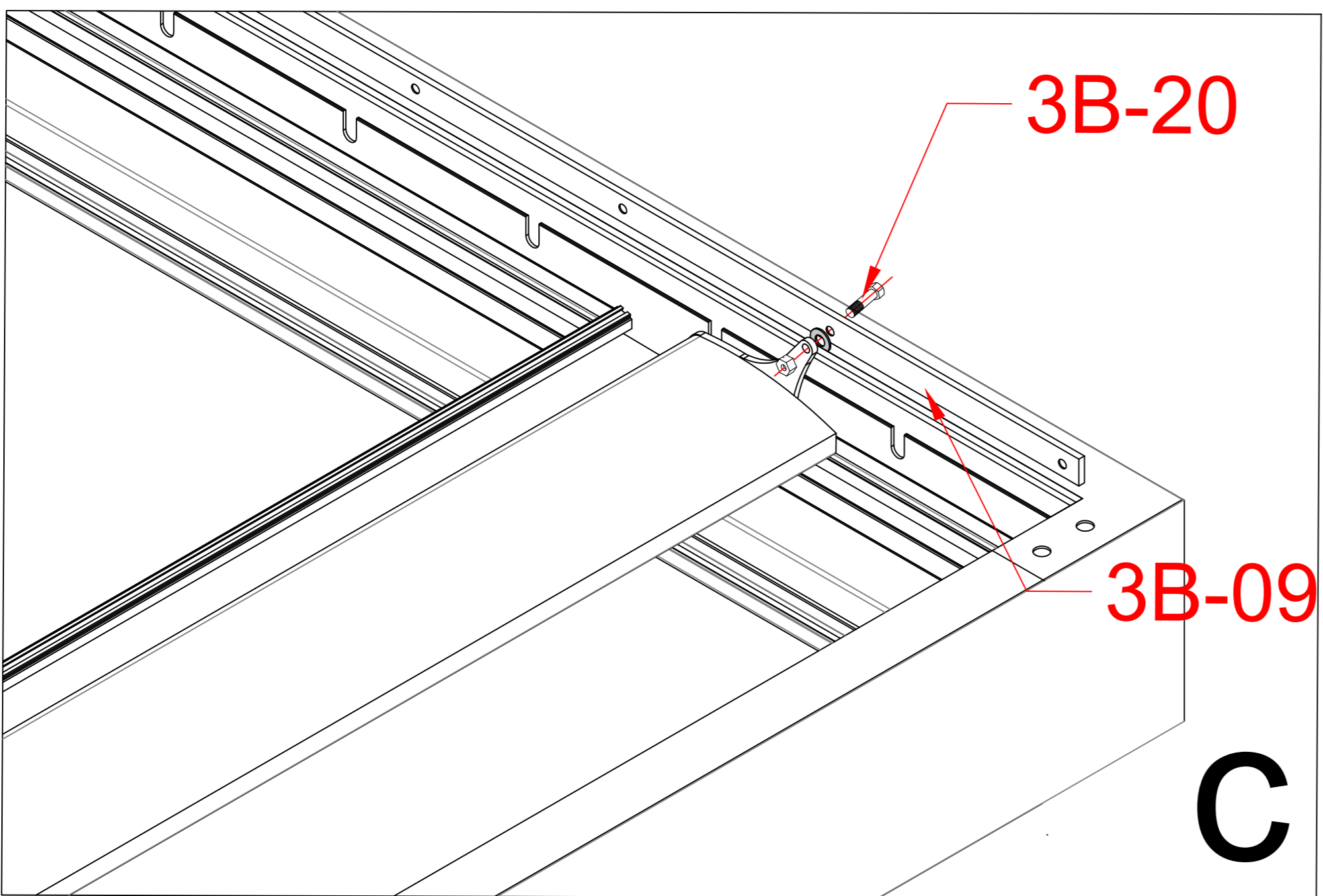
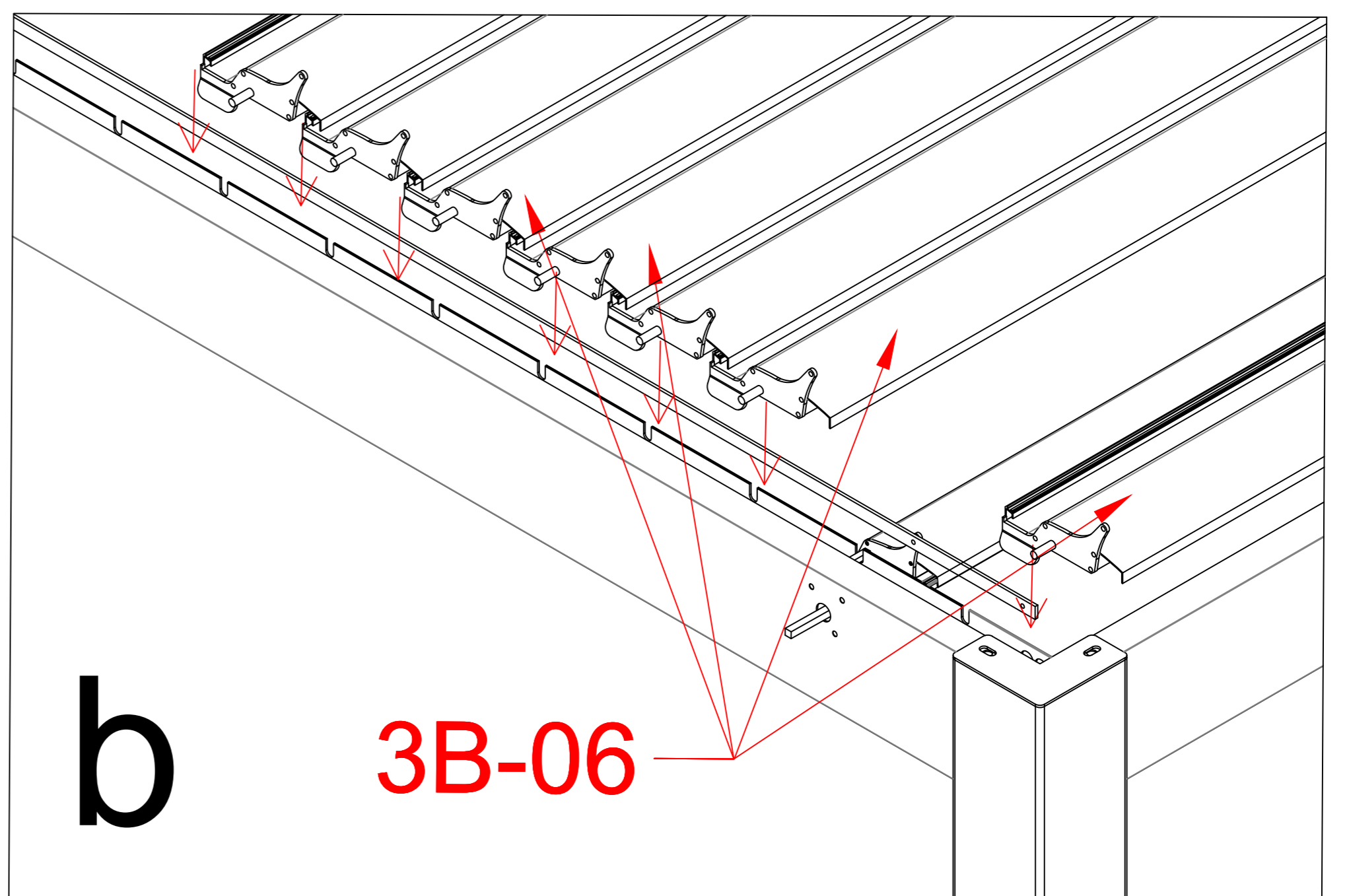
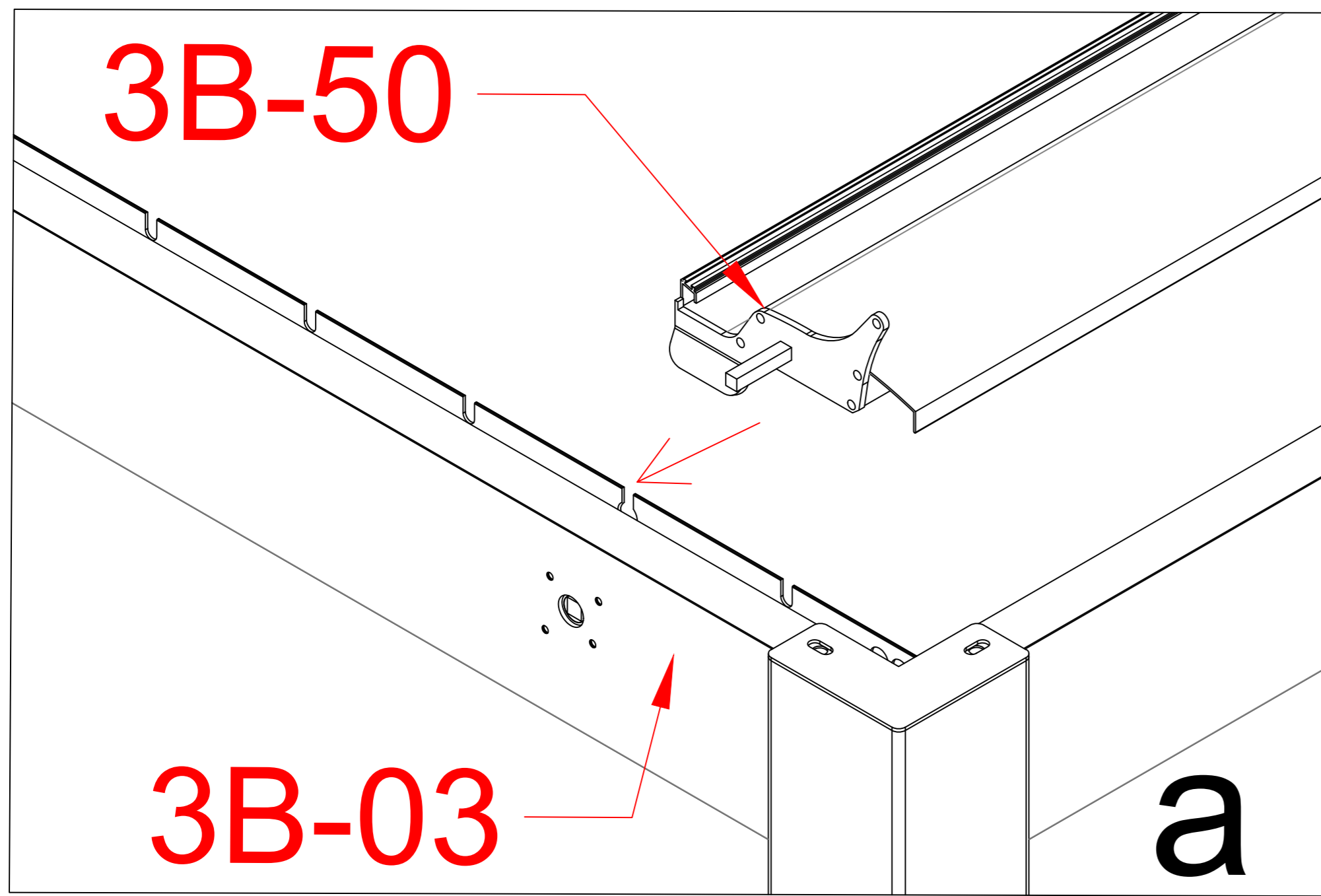
3B-51		156
3B-06	 	39
3B-48		39



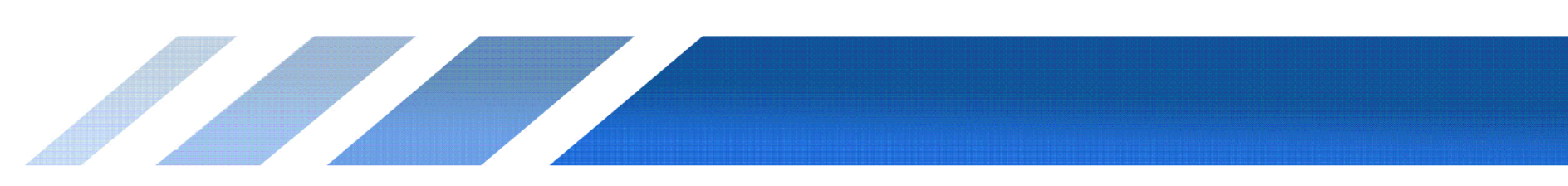


3B-49		37
3B-50		2
3B-51		156



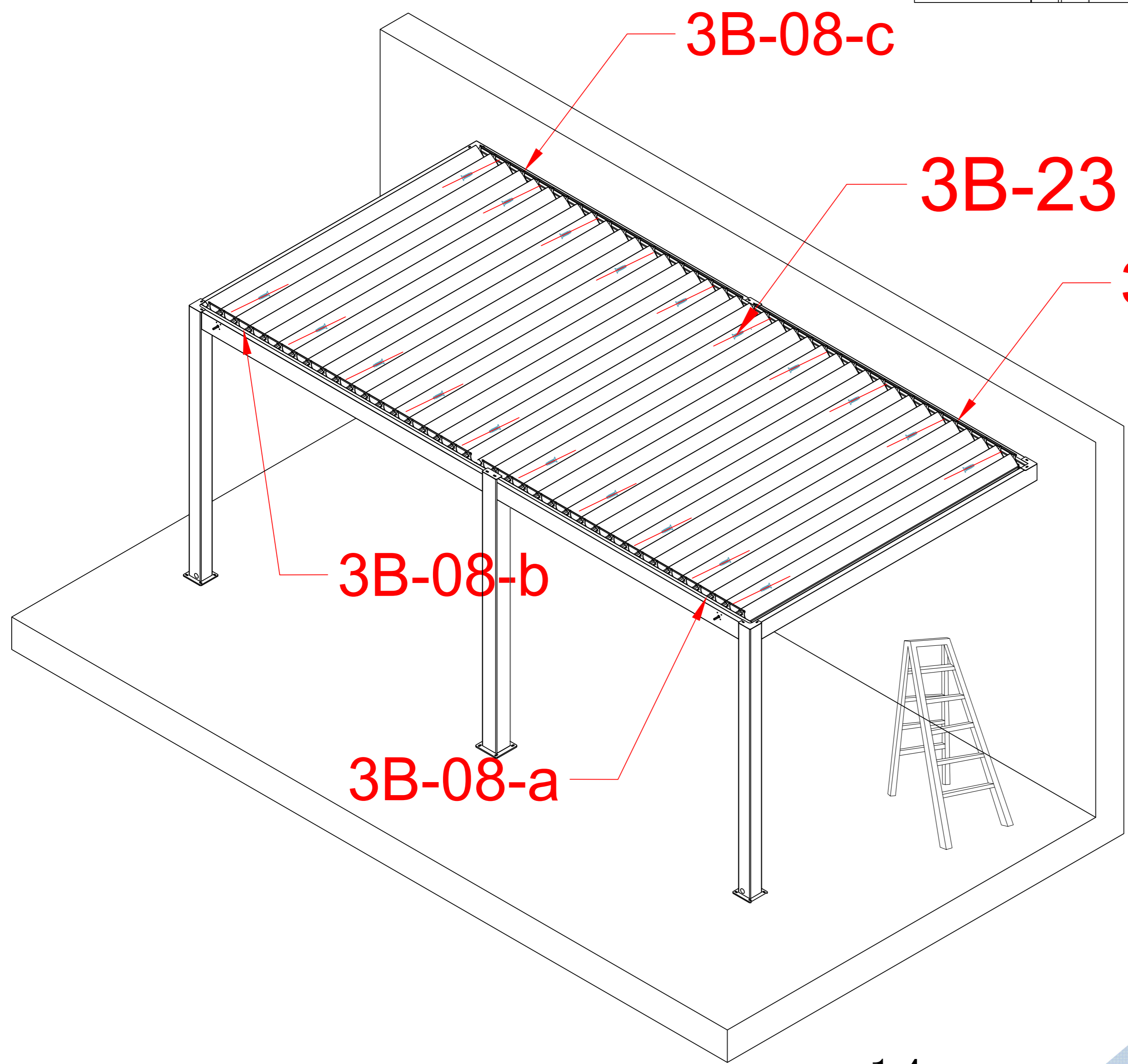
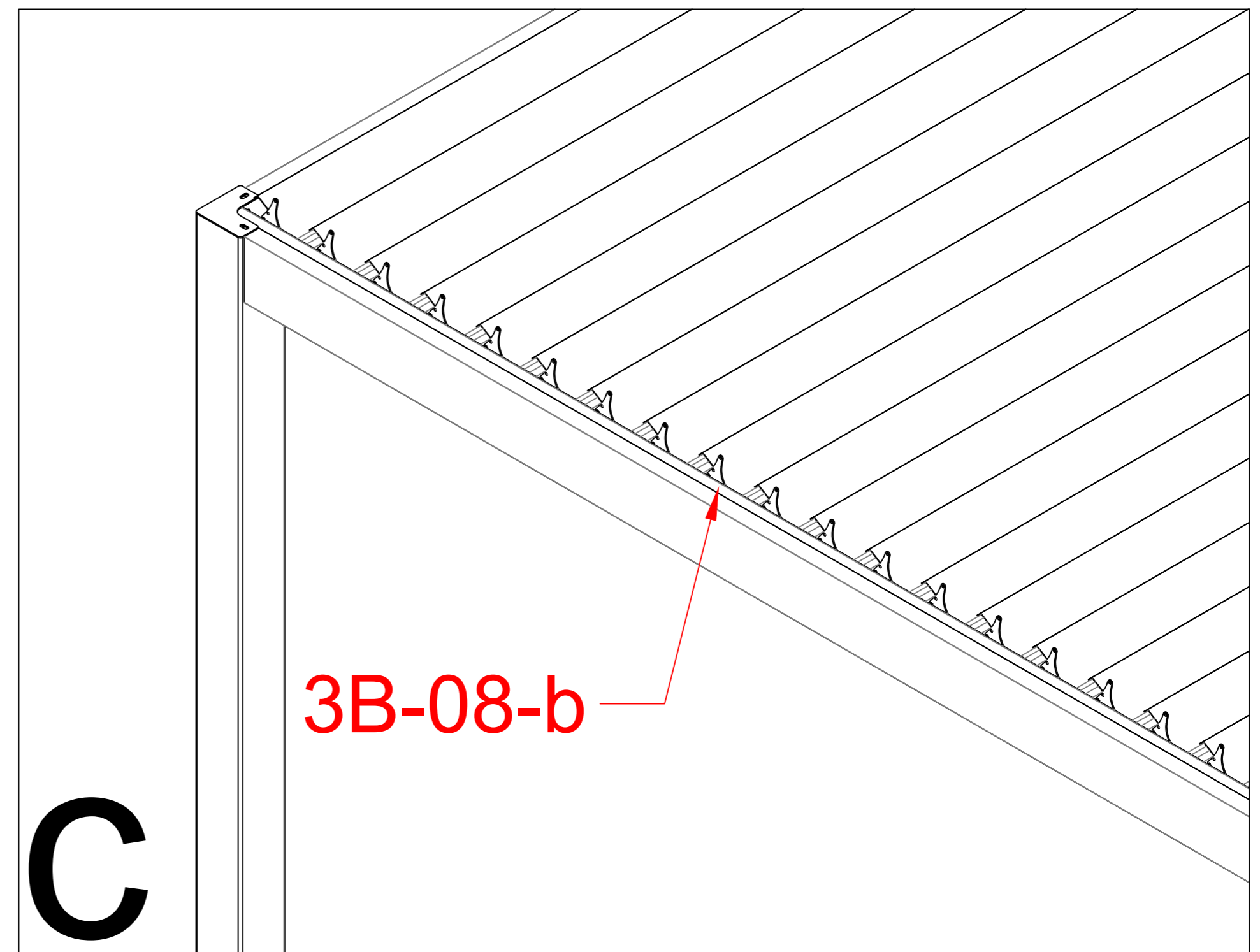
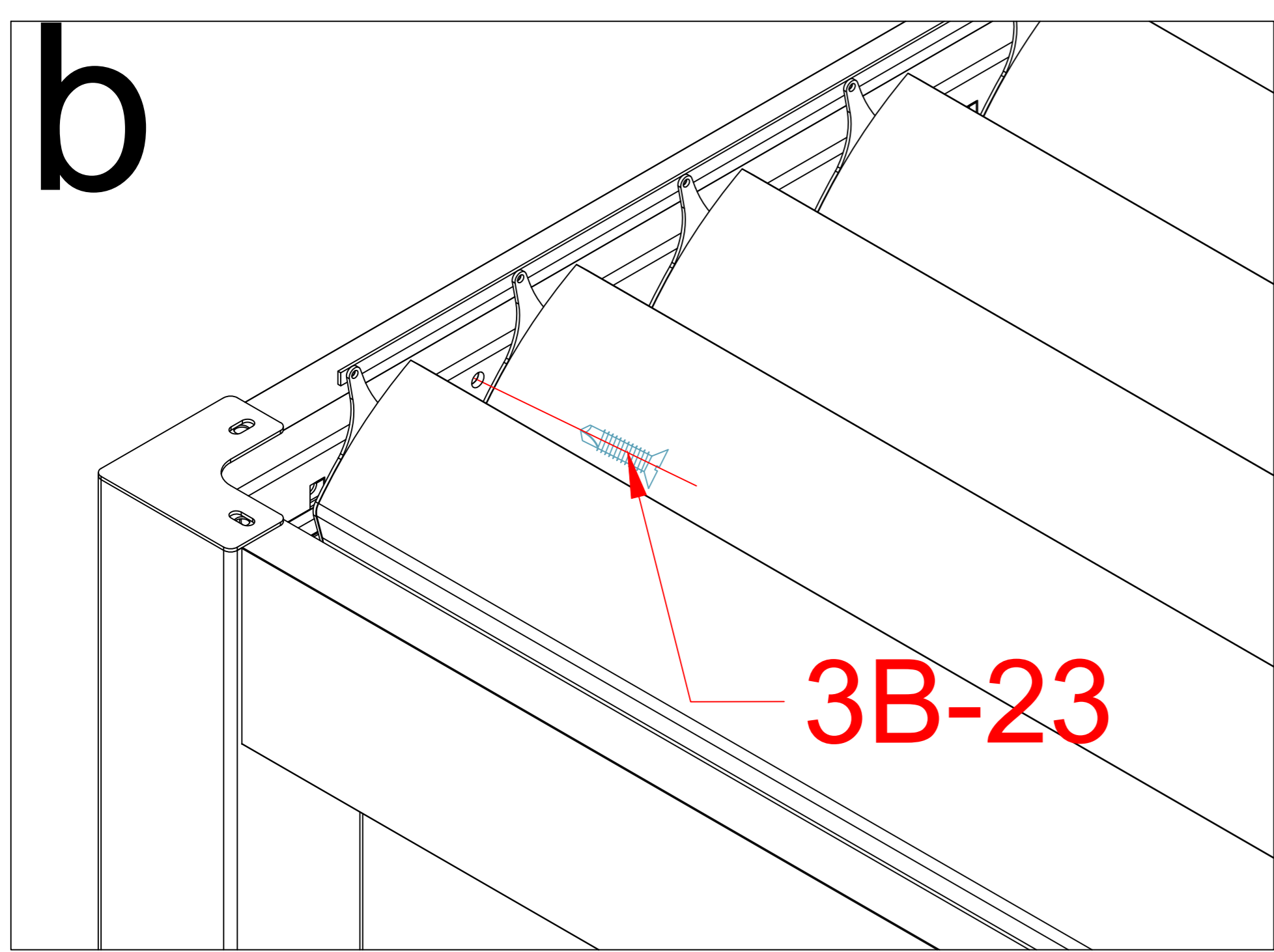
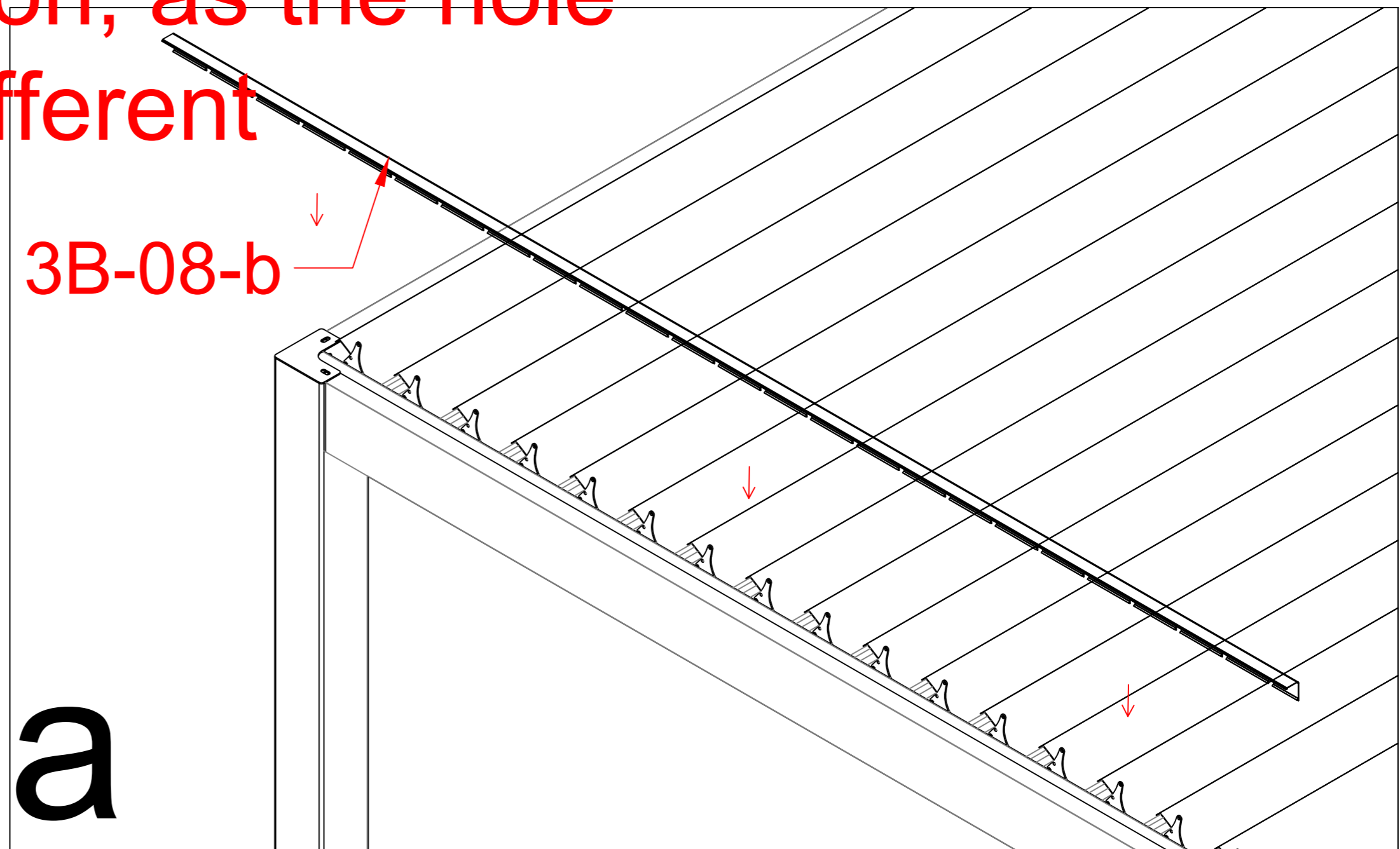


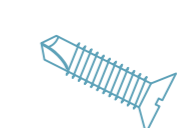
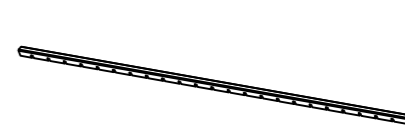
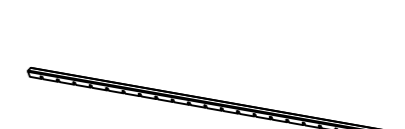


3B-06		37
3B-09		4
3B-20		78
3B-06 /50		2

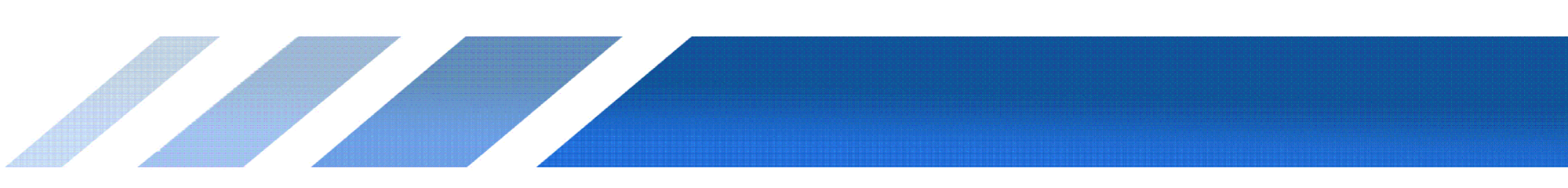


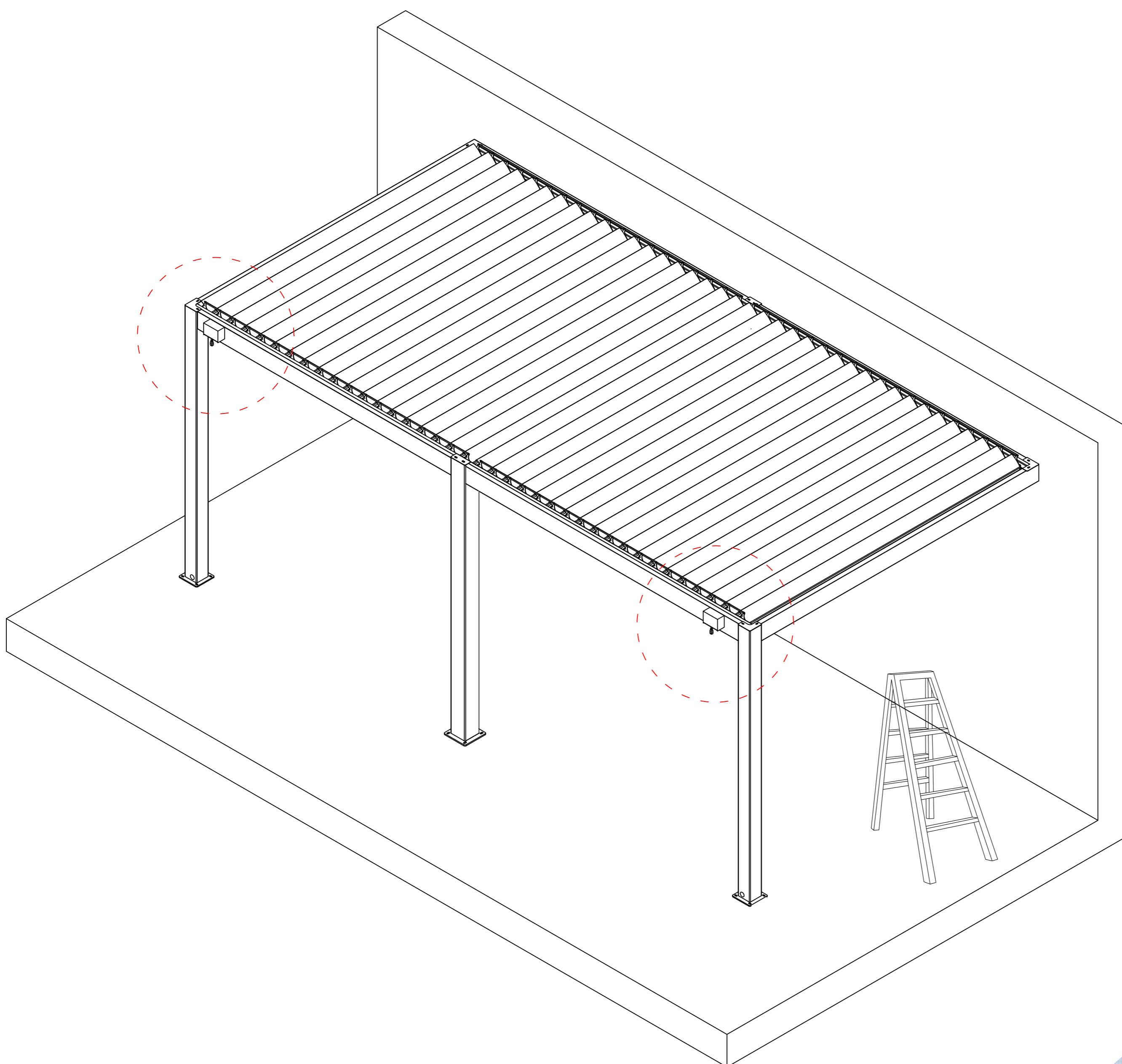
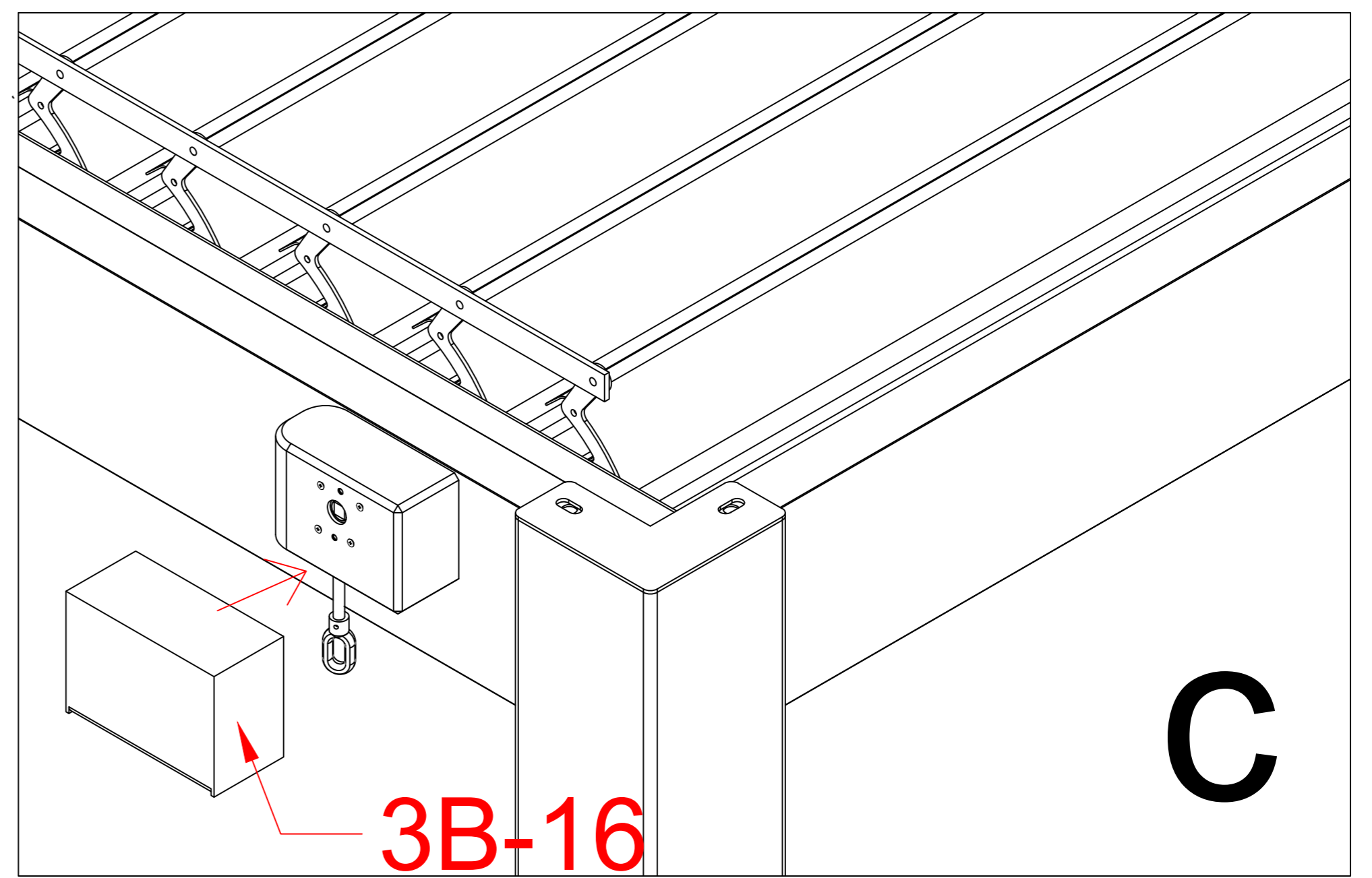
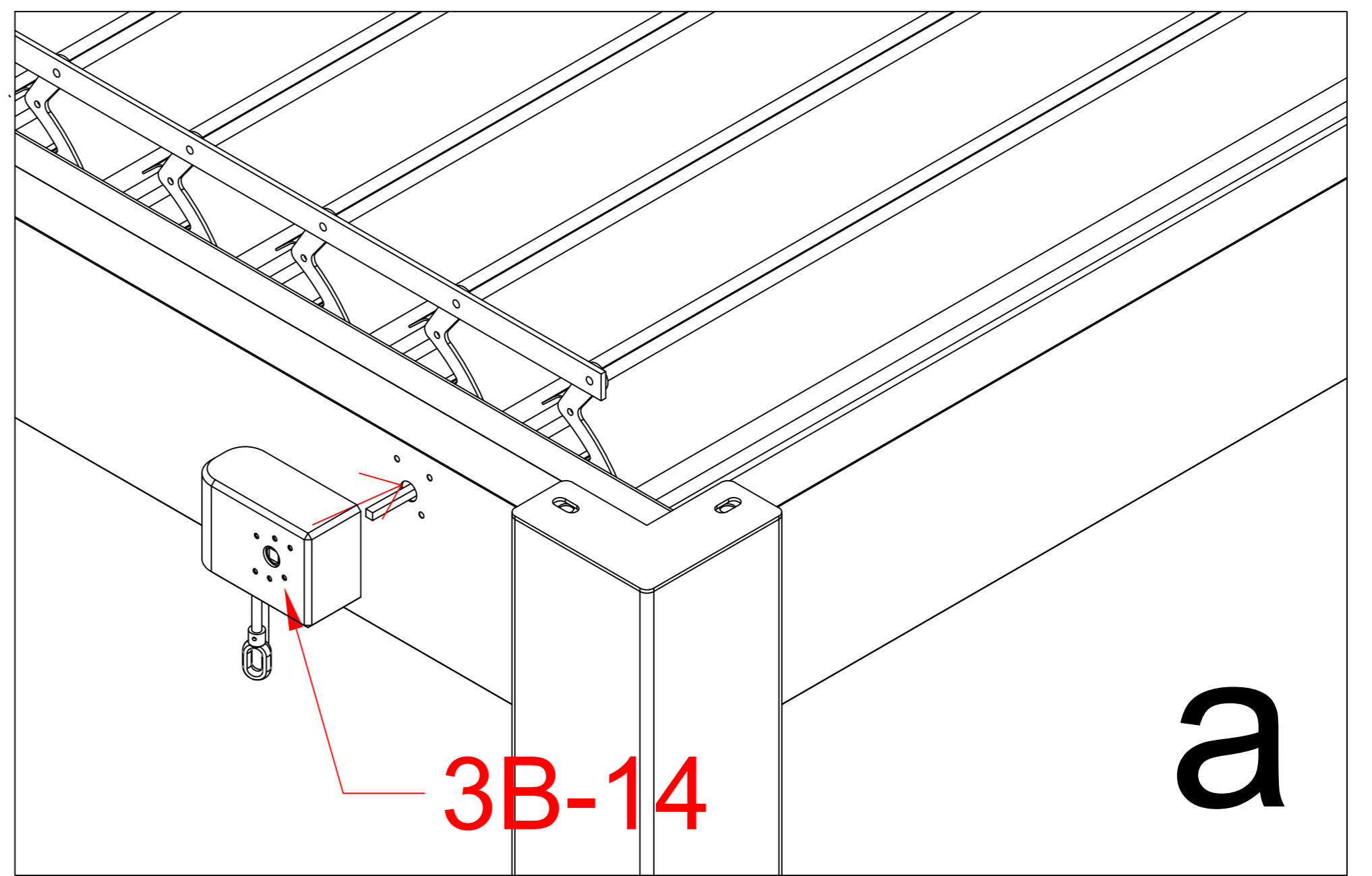
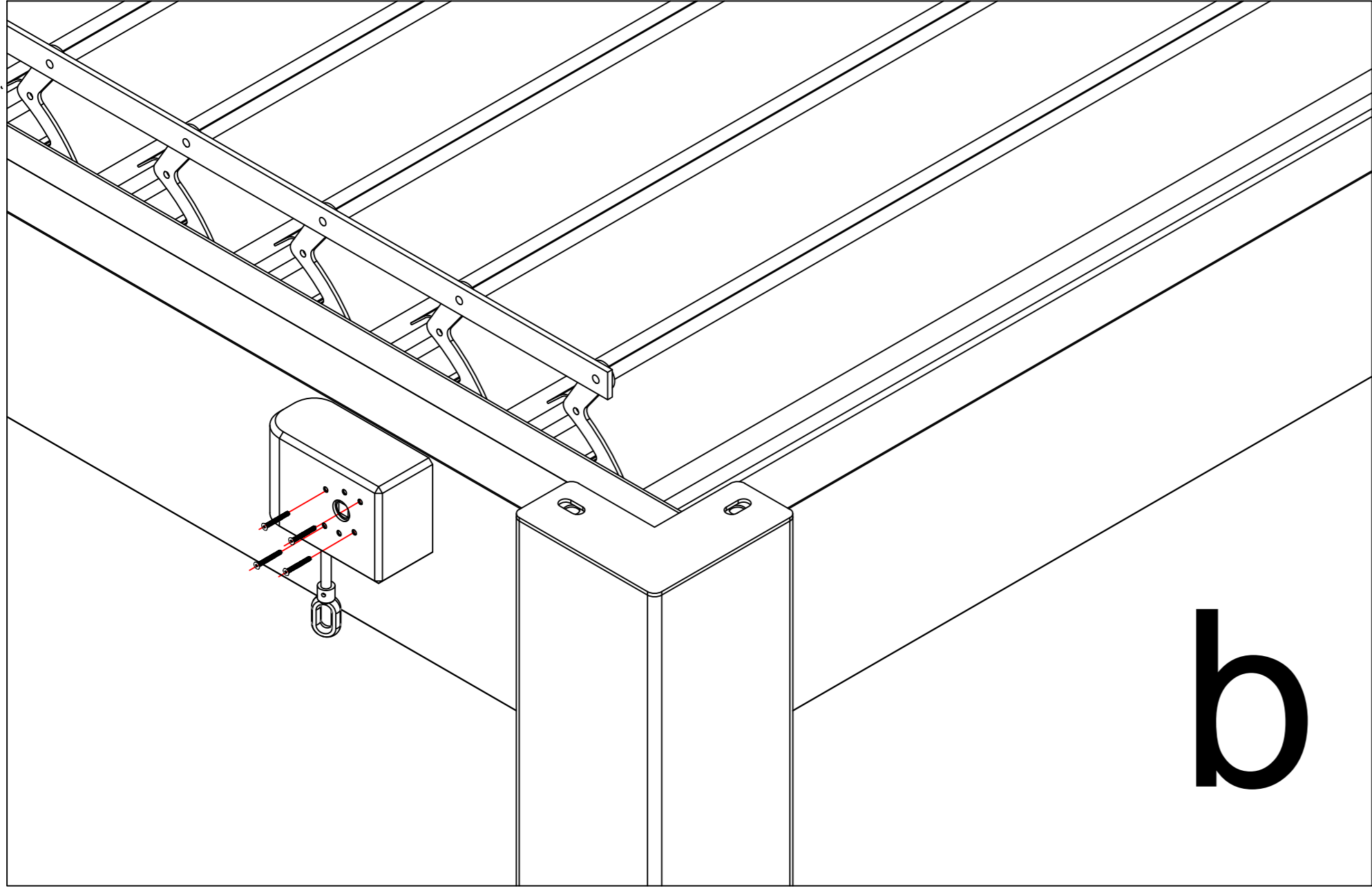


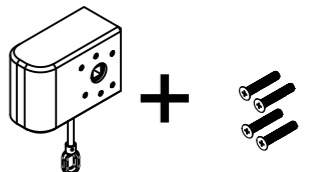
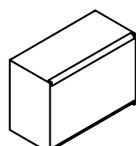
Attention: Please pay attention to differentiation during installation, as the hole positions on both sides are different

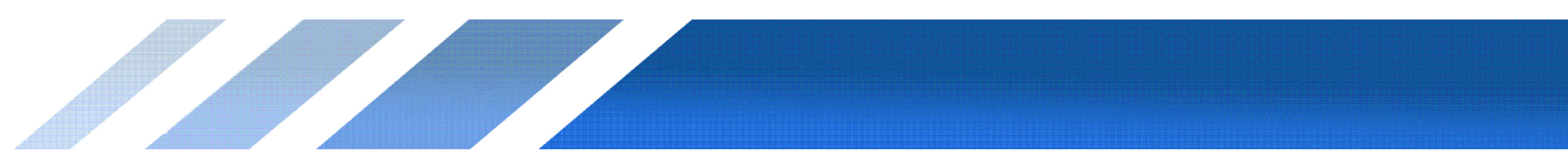


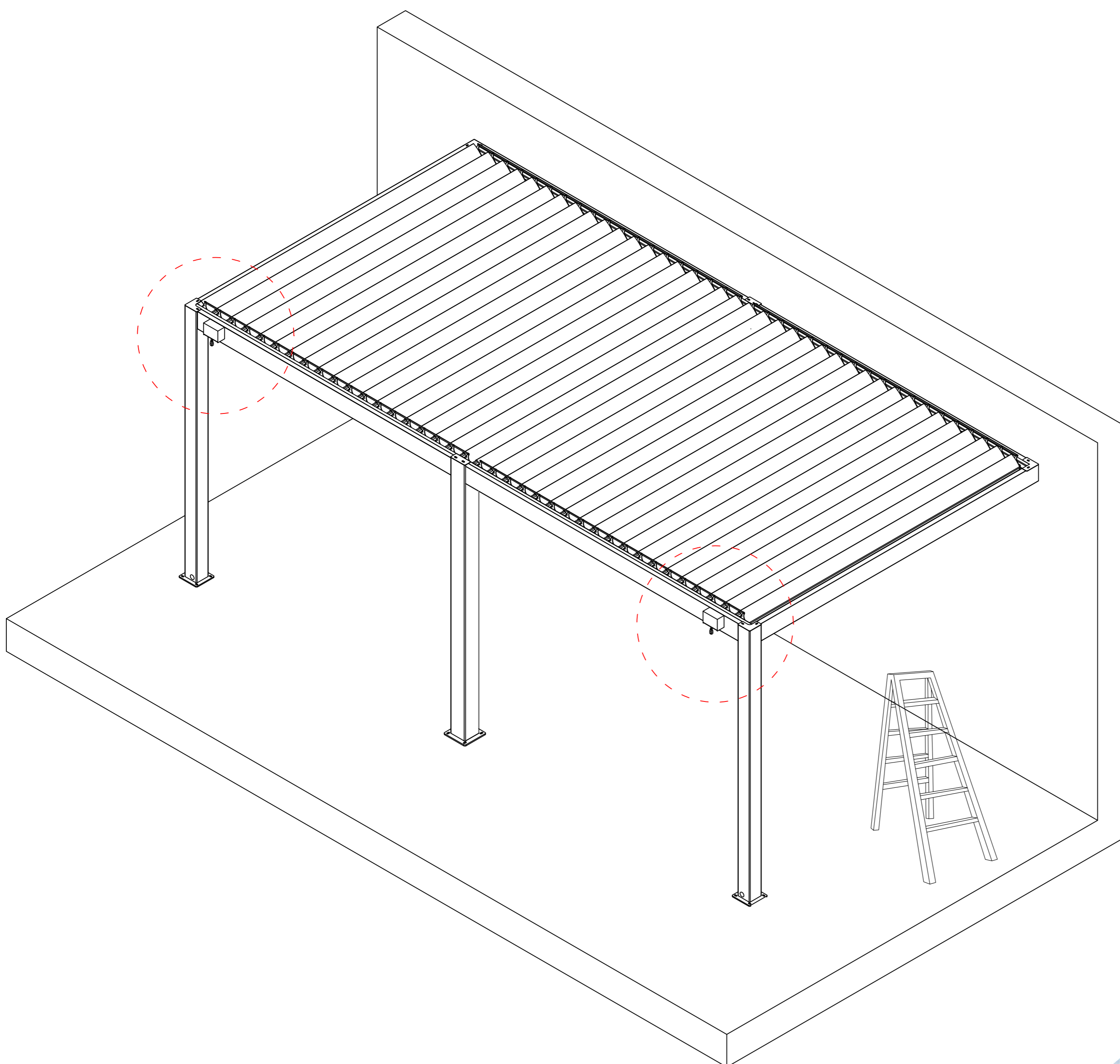
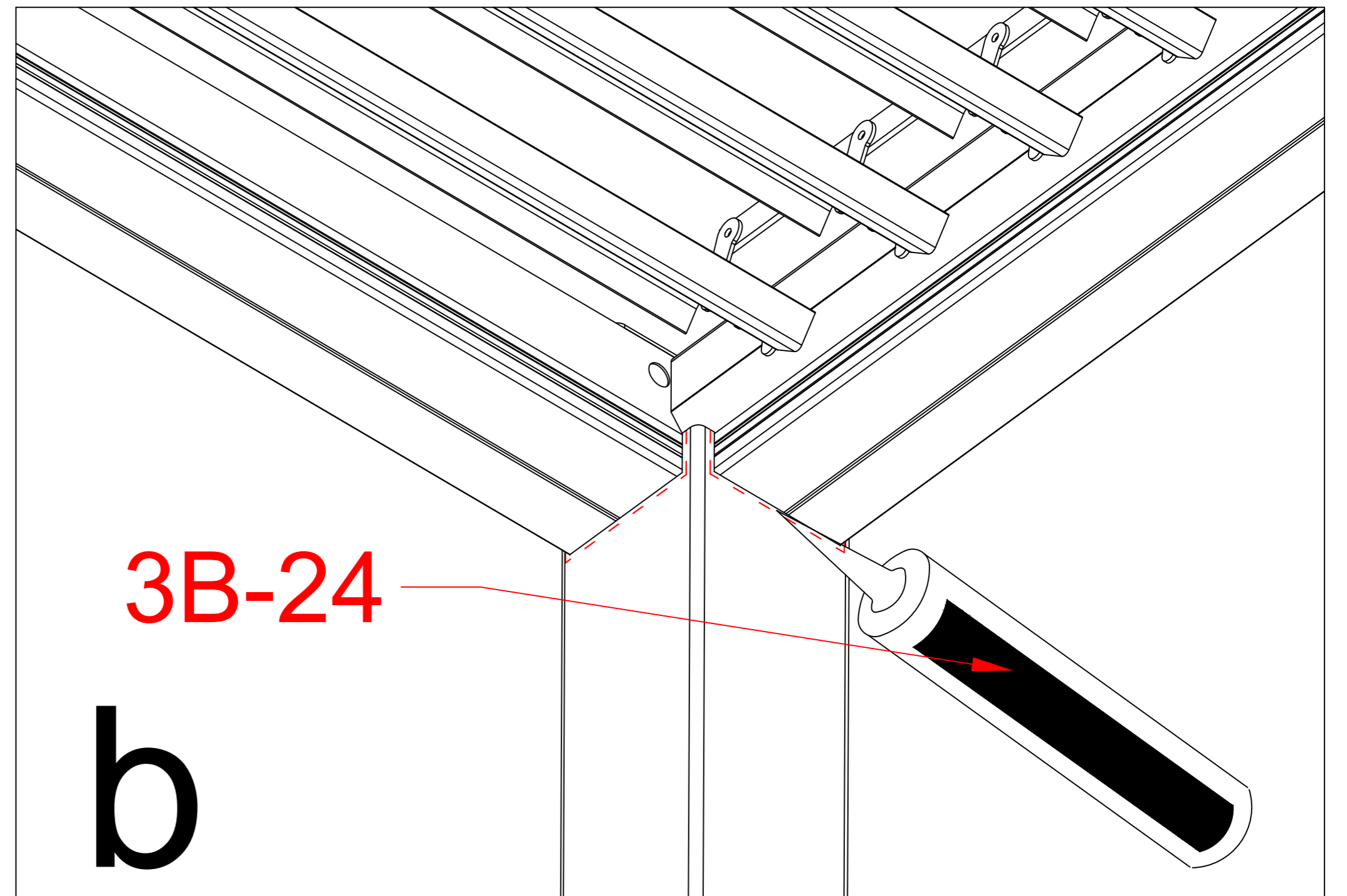
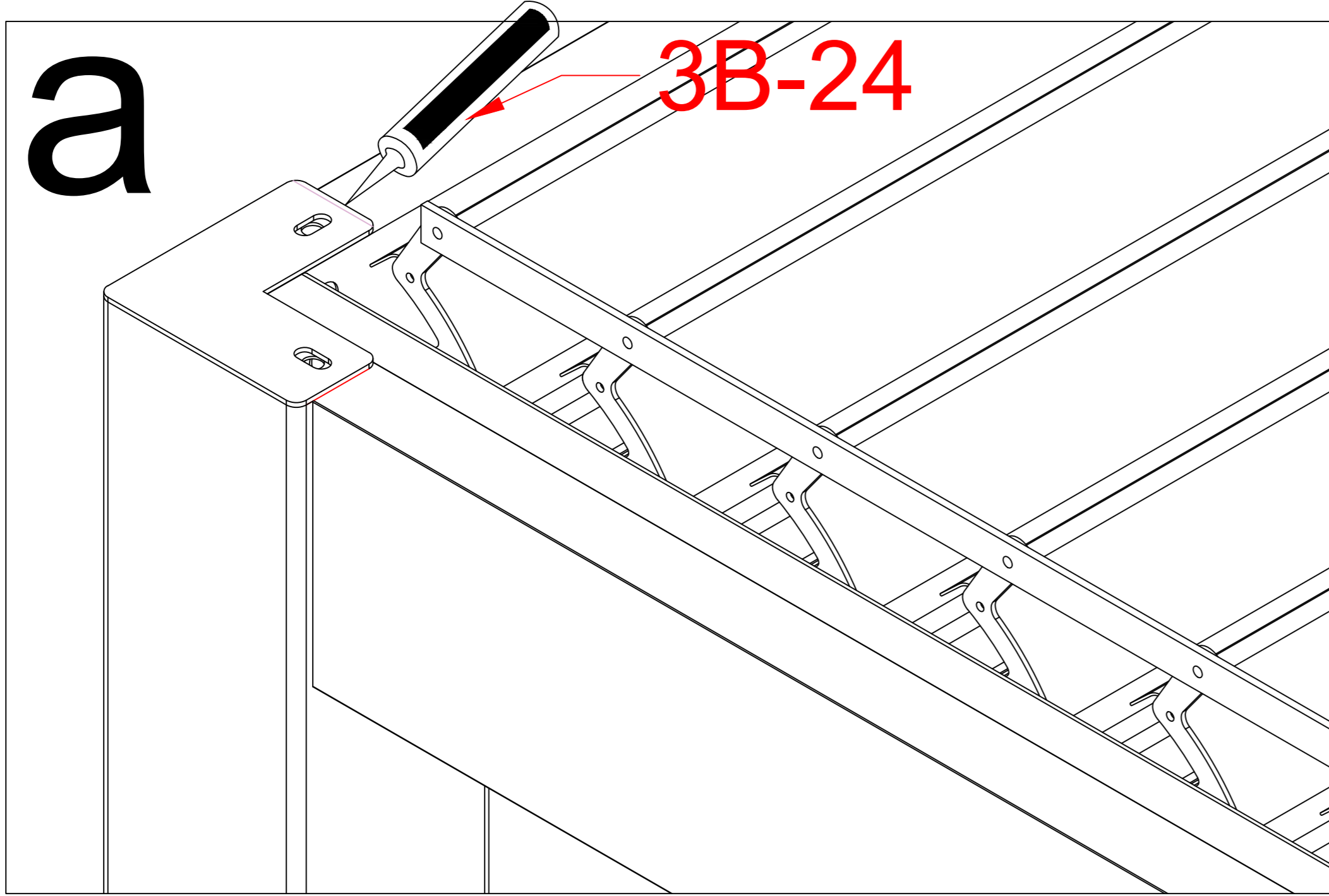
3B-23		20
3B-08-a		1
3B-08-b		1
3B-08-c		1
3B-08-d		1

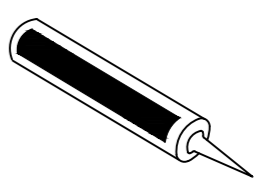


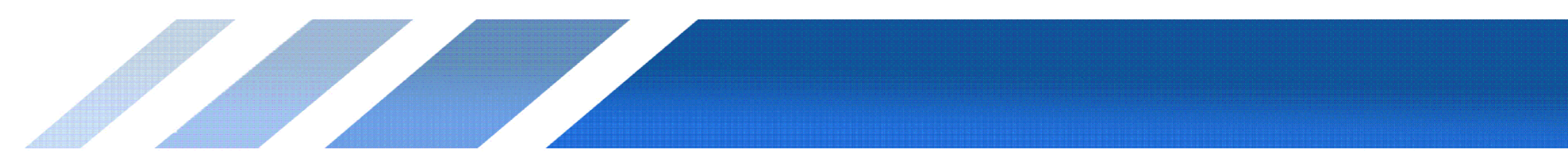


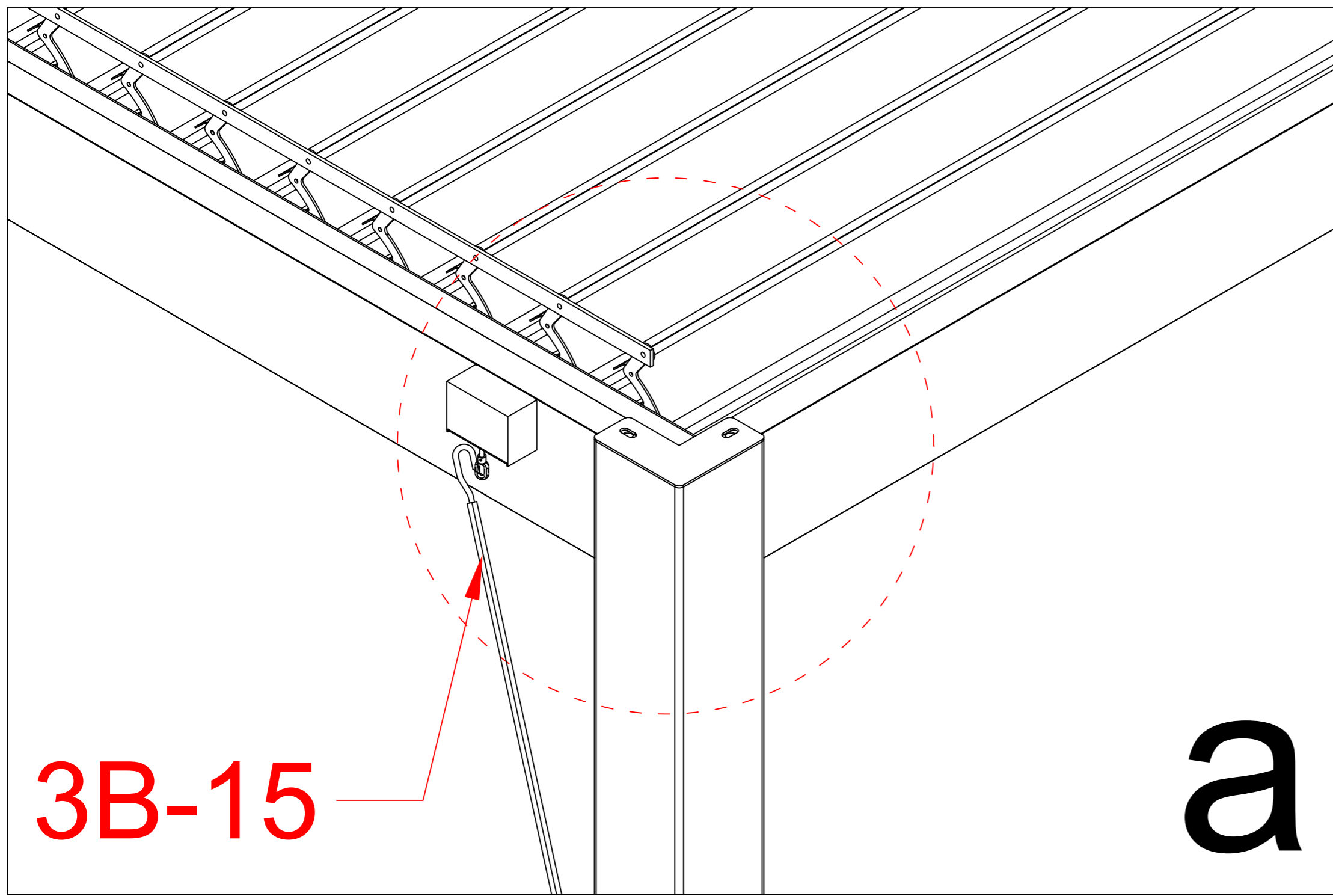
3B-14		2
3B-16		2





3B-24		1
-------	---	---

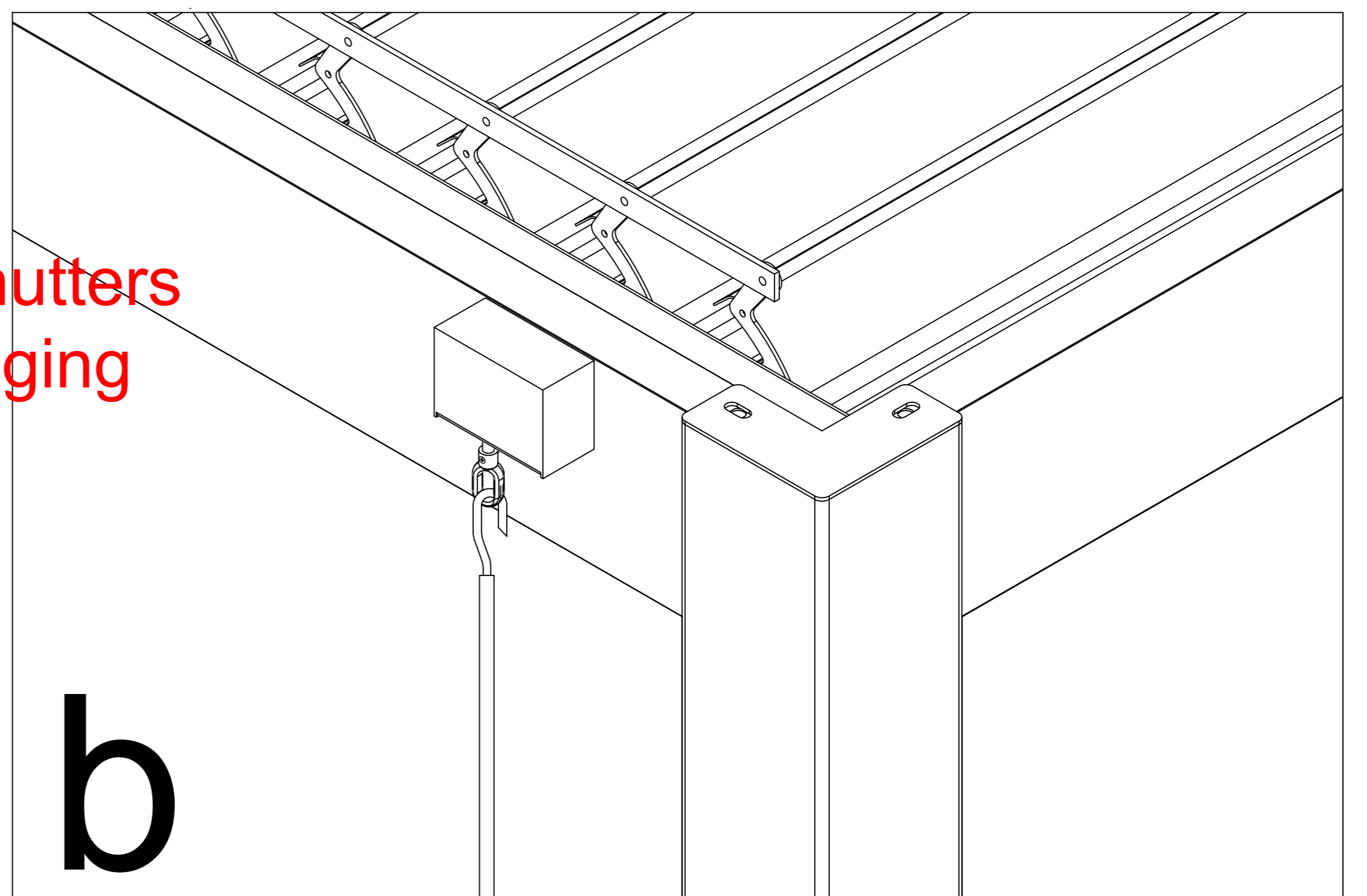




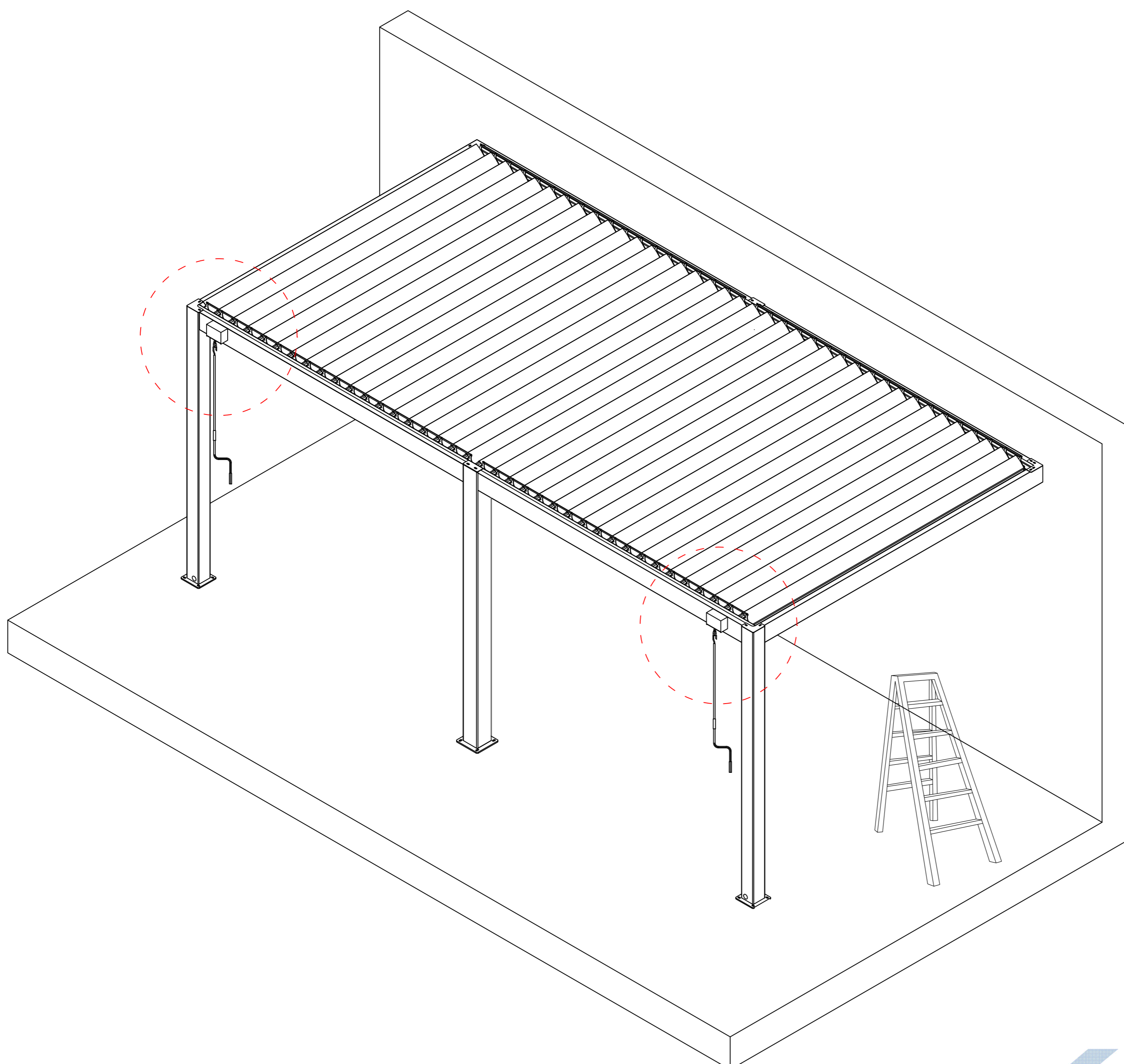
3B-15

a

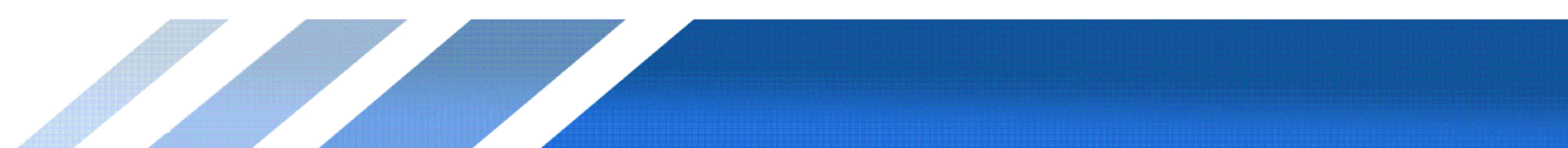
**Warning**  
In Snow / Wind season or in case of  
snow / wind forecast open up your shutters  
in vertical position to avoid any damaging  
on your pergola.



b



3B-15		2
-------	--	---





When opening the louver pergola, please first turn on motor 1 in sequence, and then turn on motor 2.  
When closing the louver pergola, please first turn off motor 2 in sequence, and then turn off motor 1.

