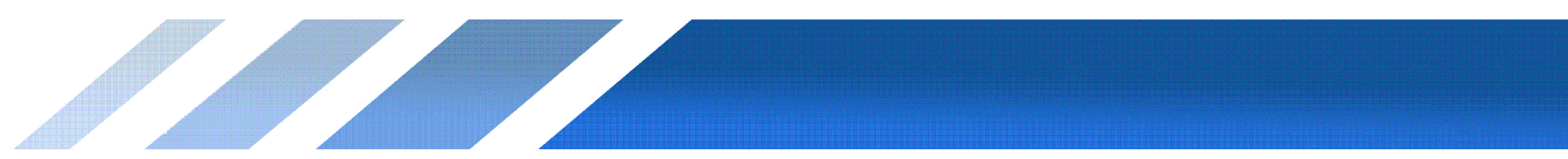
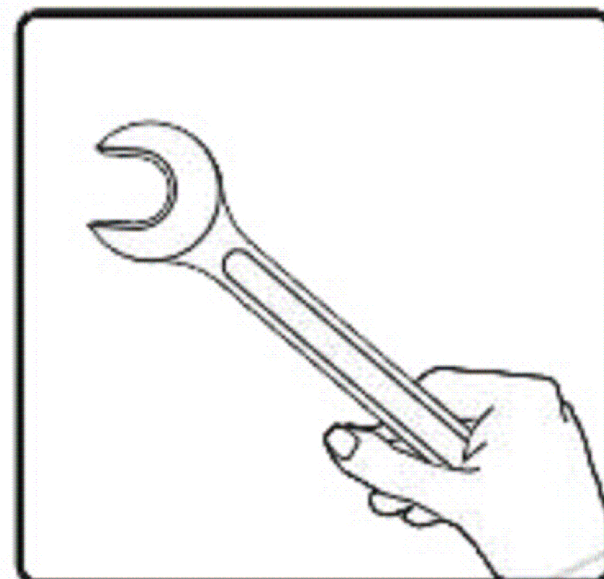
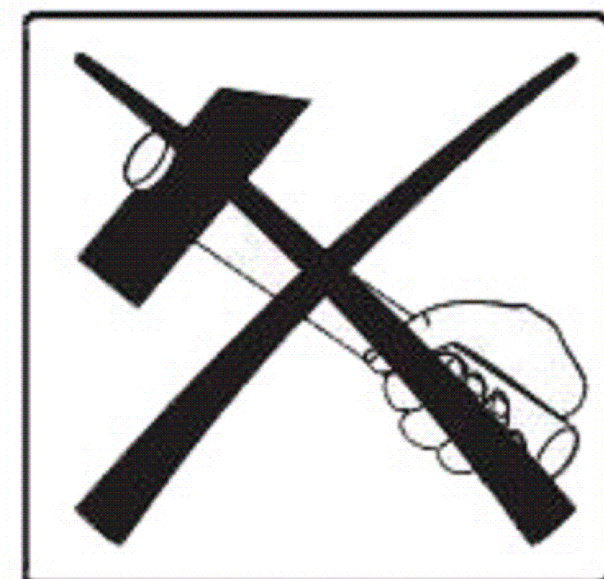
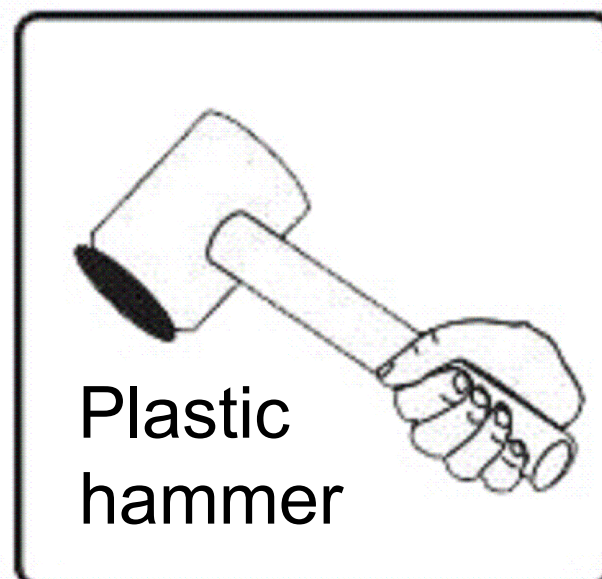
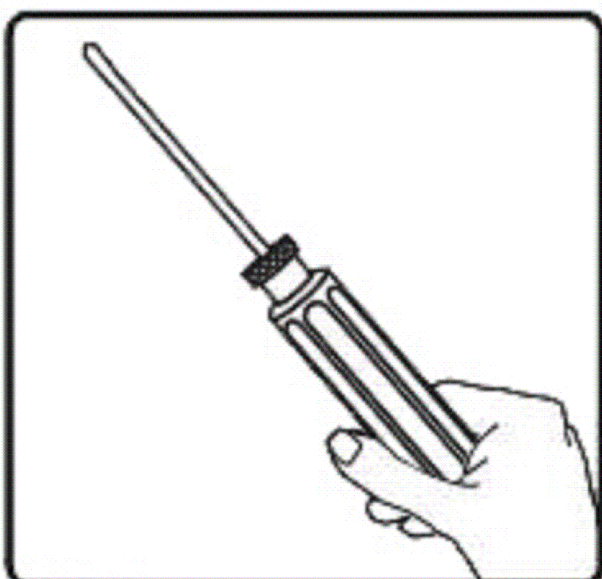
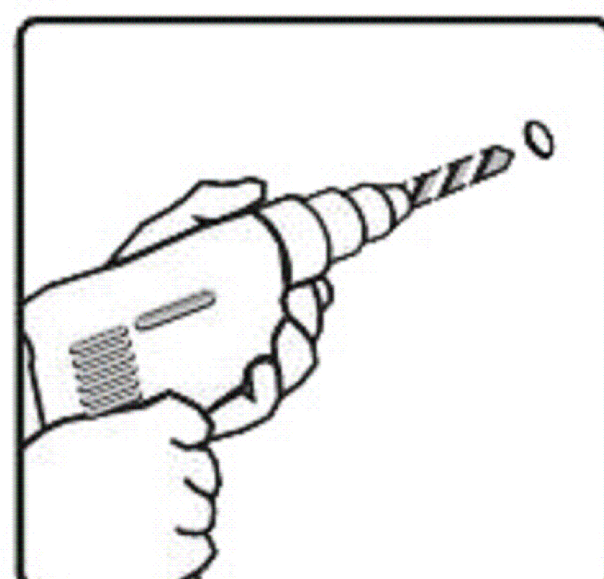
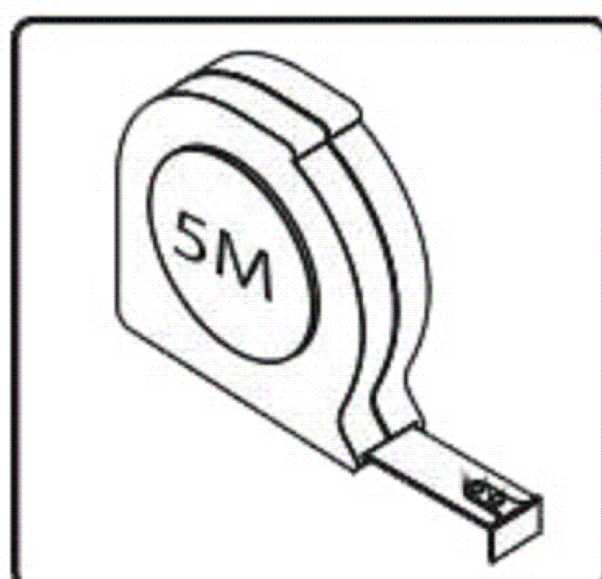
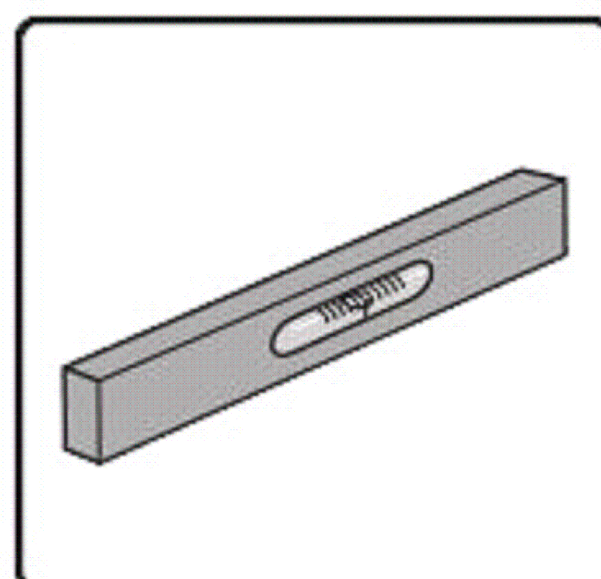
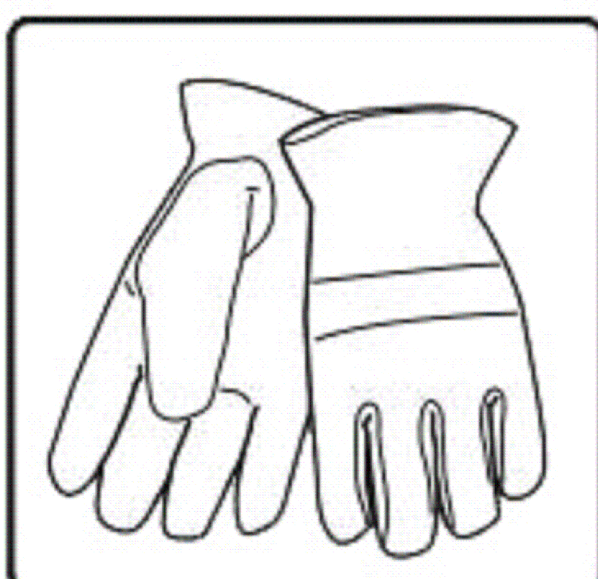
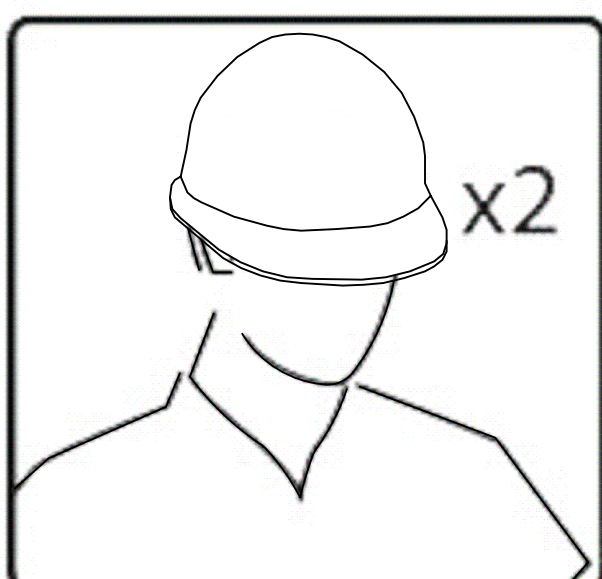
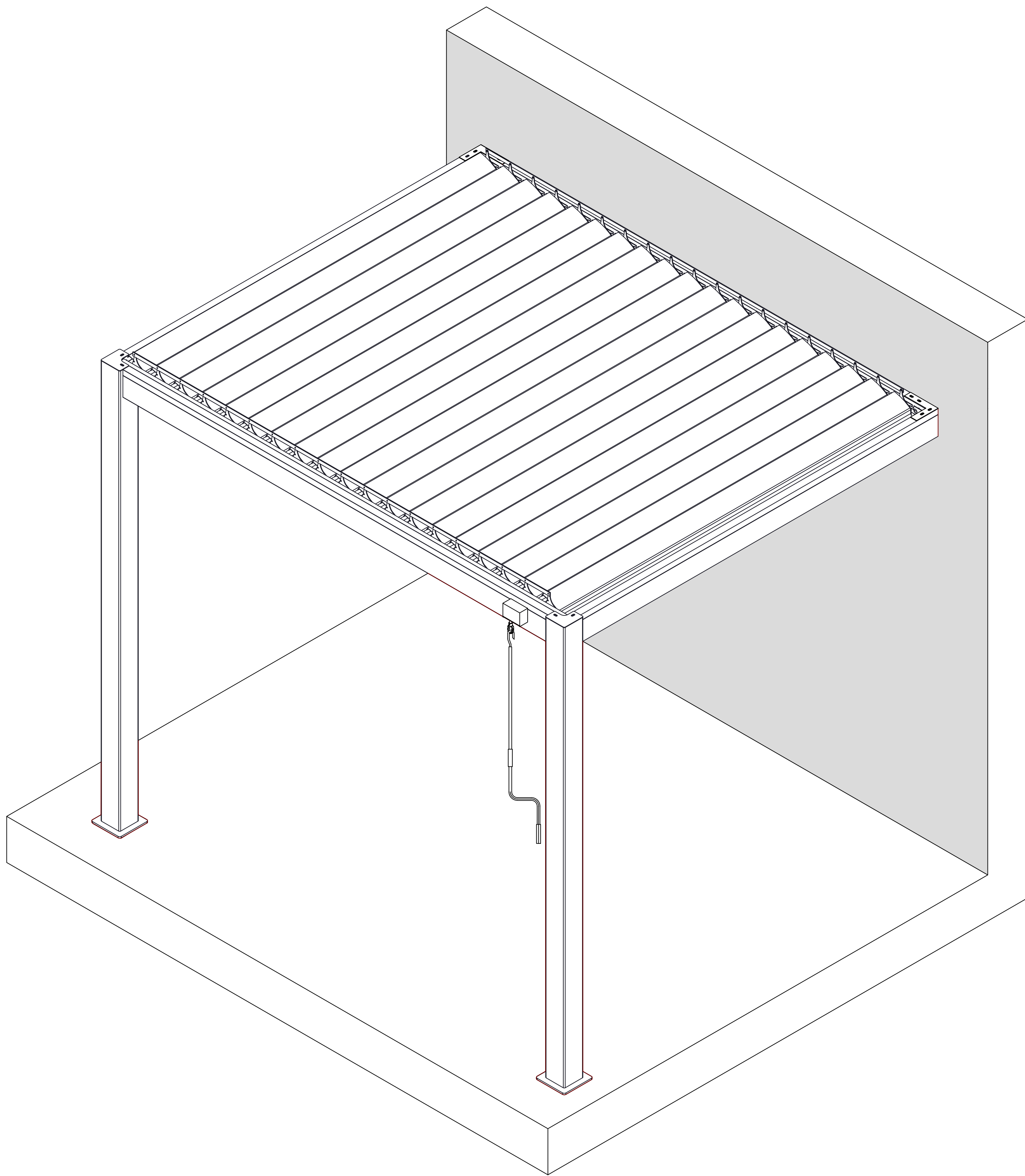


LIVING CULTURE

MANUAL PERGOLA WALL MOUNTED 2 POSTS

4x2m



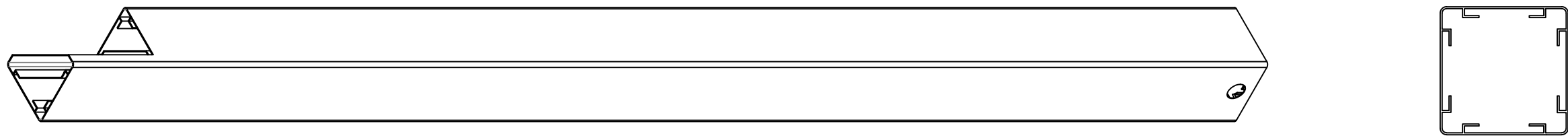
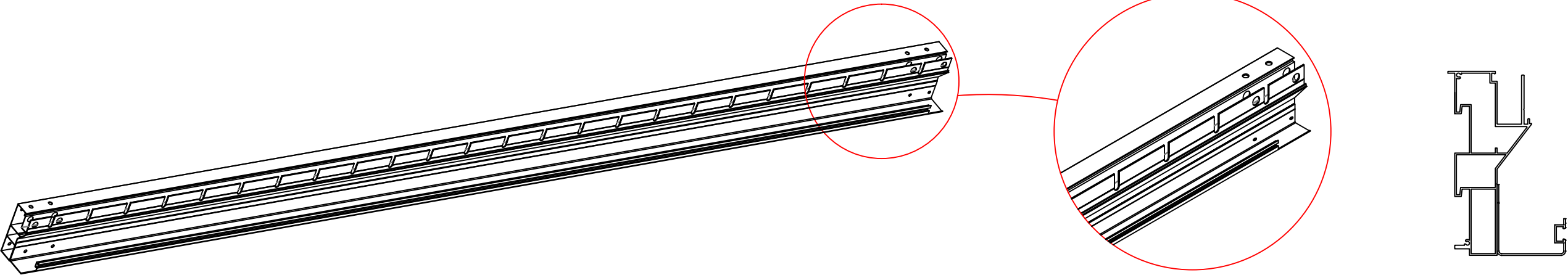
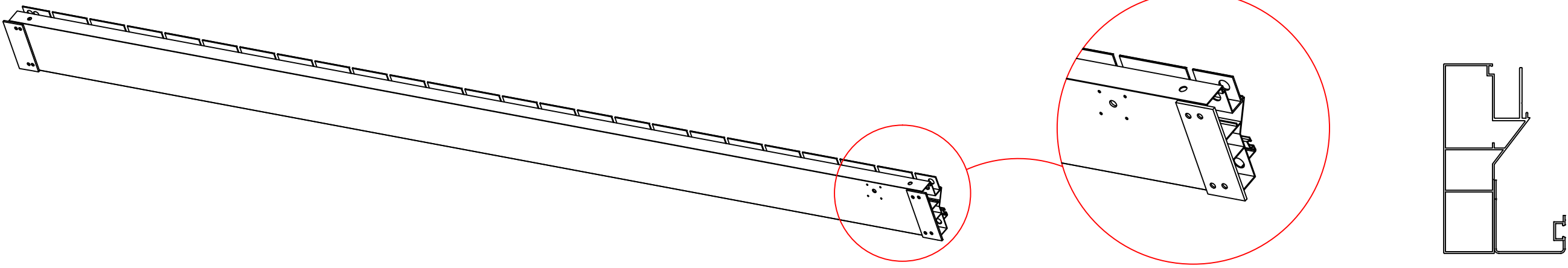
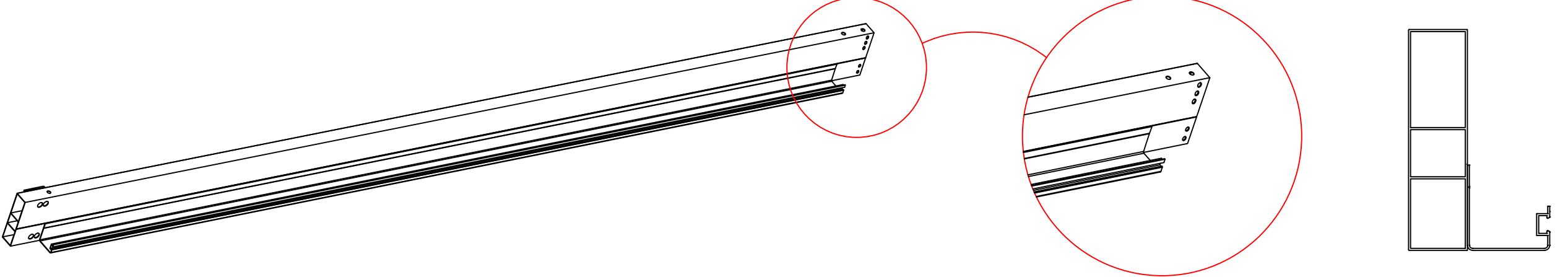
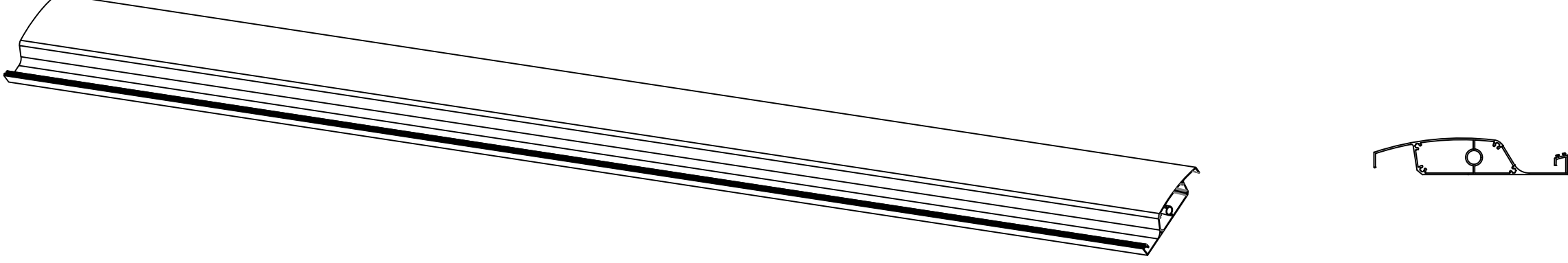
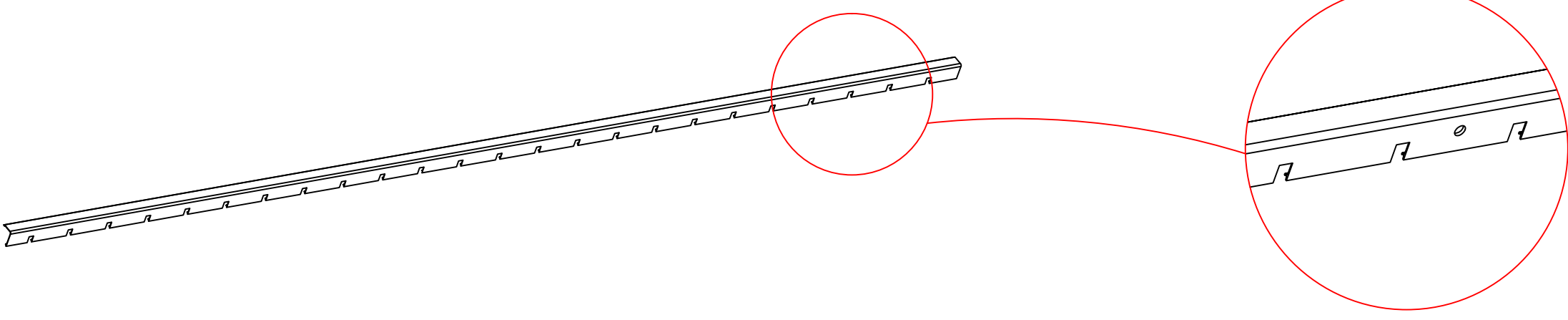
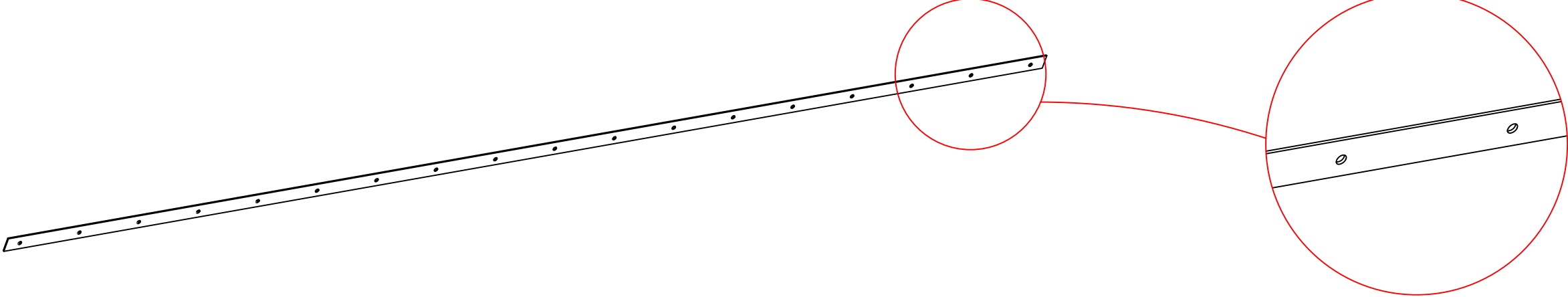
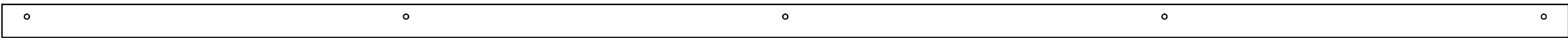


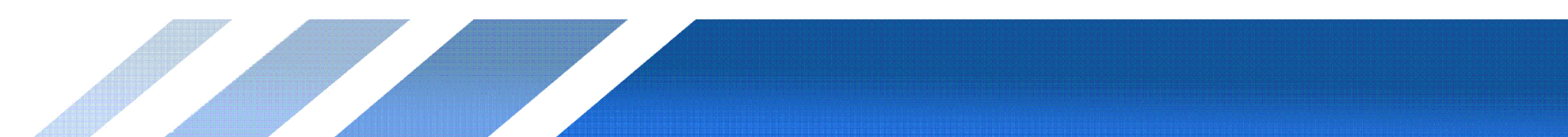


	Item	Qty	Item	Qty	Item	Qty	Item	Qty
Carton 1/4	3B-01	2	3B-11	2	3B-12	2	3B-13	2
	3B-14	1	3B-15	1	3B-16	1	3B-18	1
	3B-19	16	3B-20	54	3B-21	8	3B-23	15
	3B-24	1	3B-35	2	3B-39	10	3B-40	2
	3B-41	2	3B-42a	10	3B-42b	8	3B-45	8
	3B-46	2	3B-48	27	3B-49	26	3B-50	1
	3B-51	216	3B-53	5	3B-54	5	3B-55	2
	3B-62	10						
Carton 2/4	3B-02	1	3B-03	1	3B-04	2	3B-08	2
	3B-09	2	3B-56	1				
Carton 3/4	3B-06	18						
Carton 4/4	3B-06	9						





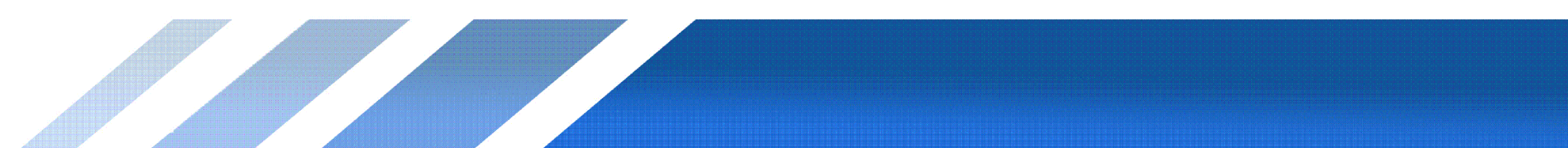
Item	Drawings	Qty
3B-01		2
3B-02		1
3B-03		1
3B-04		2
3B-06		27
3B-08		2
3B-09		2
3B-56		1

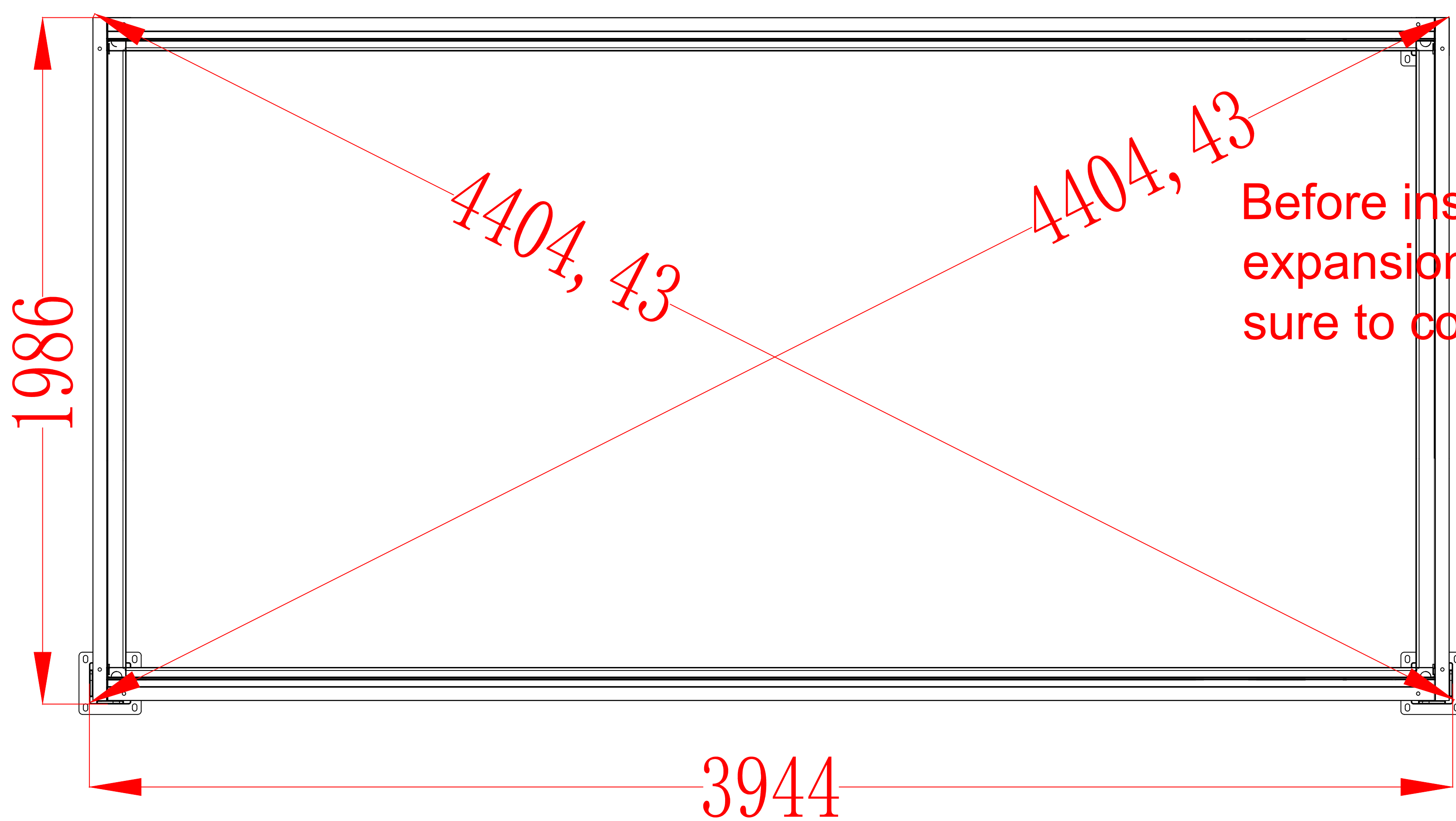
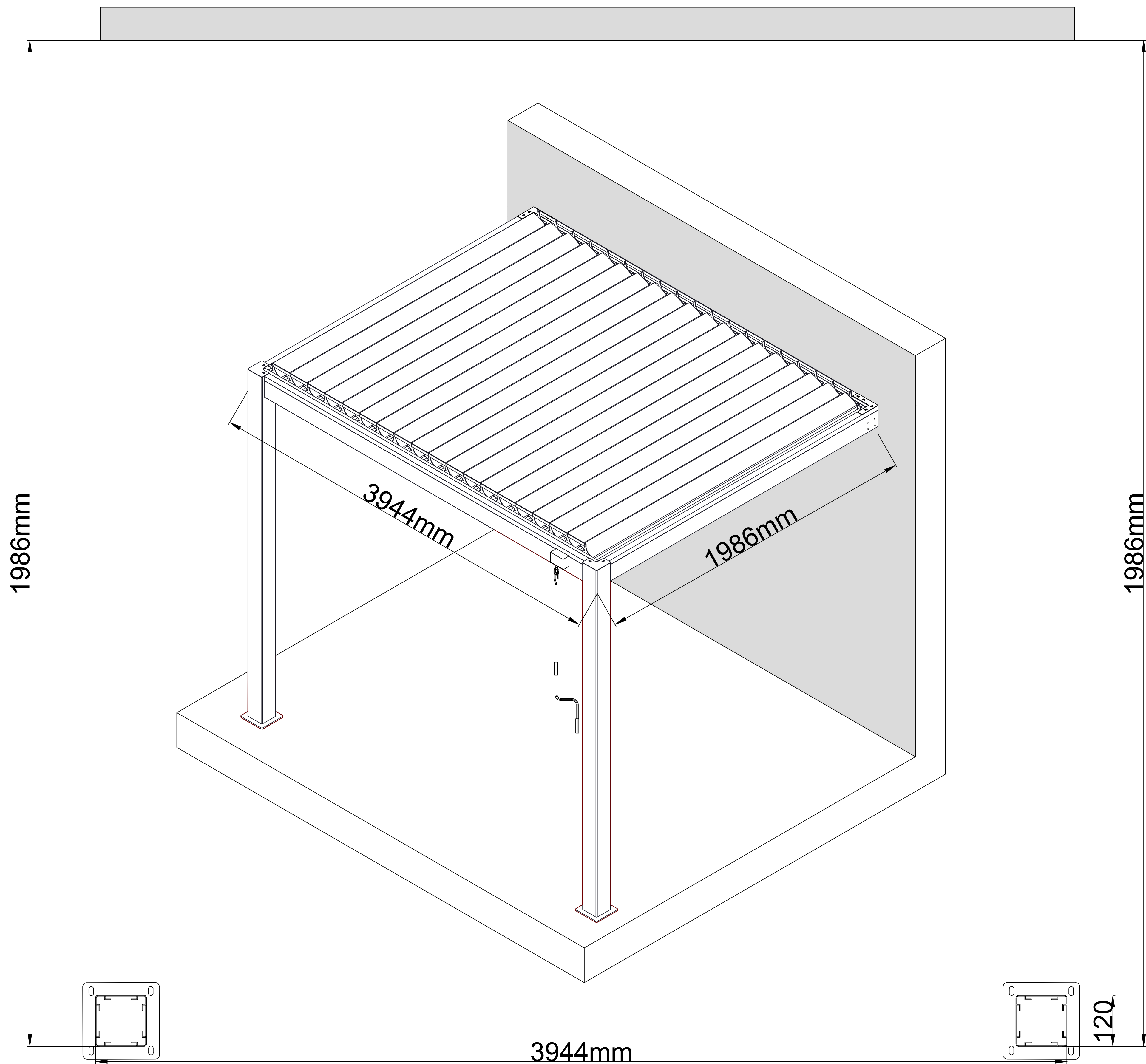




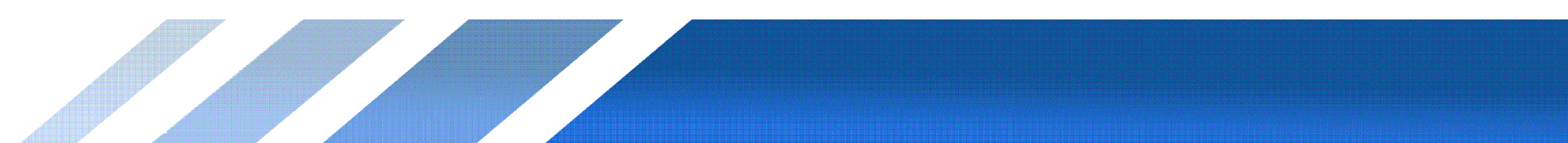
Item	Drawings	Qty
3B-11		2
3B-12		2
3B-13		2
3B-14		1
3B-15		1
3B-16		1
3B-18		1
3B-19	 M8*20	16+2
3B-20		54+2
3B-21	 M10*80	8
3B-23	 M4.2*19	15+2
3B-24		1
3B-35		2
3B-39	 M8*100	10

Item	Drawings	Qty
3B-40		2
3B-41		2
3B-42a	 M6*16	10
3B-42b	 M6*16 P	8
3B-46		2
3B-48		27
3B-49		26
3B-50		1
3B-51	 M4.2*25	216+4
3B-53		5
3B-54	 M4.2*25	5
3B-55		2
3B-62	 M14*75 M10*100	10
3B-45	 M8*10	8



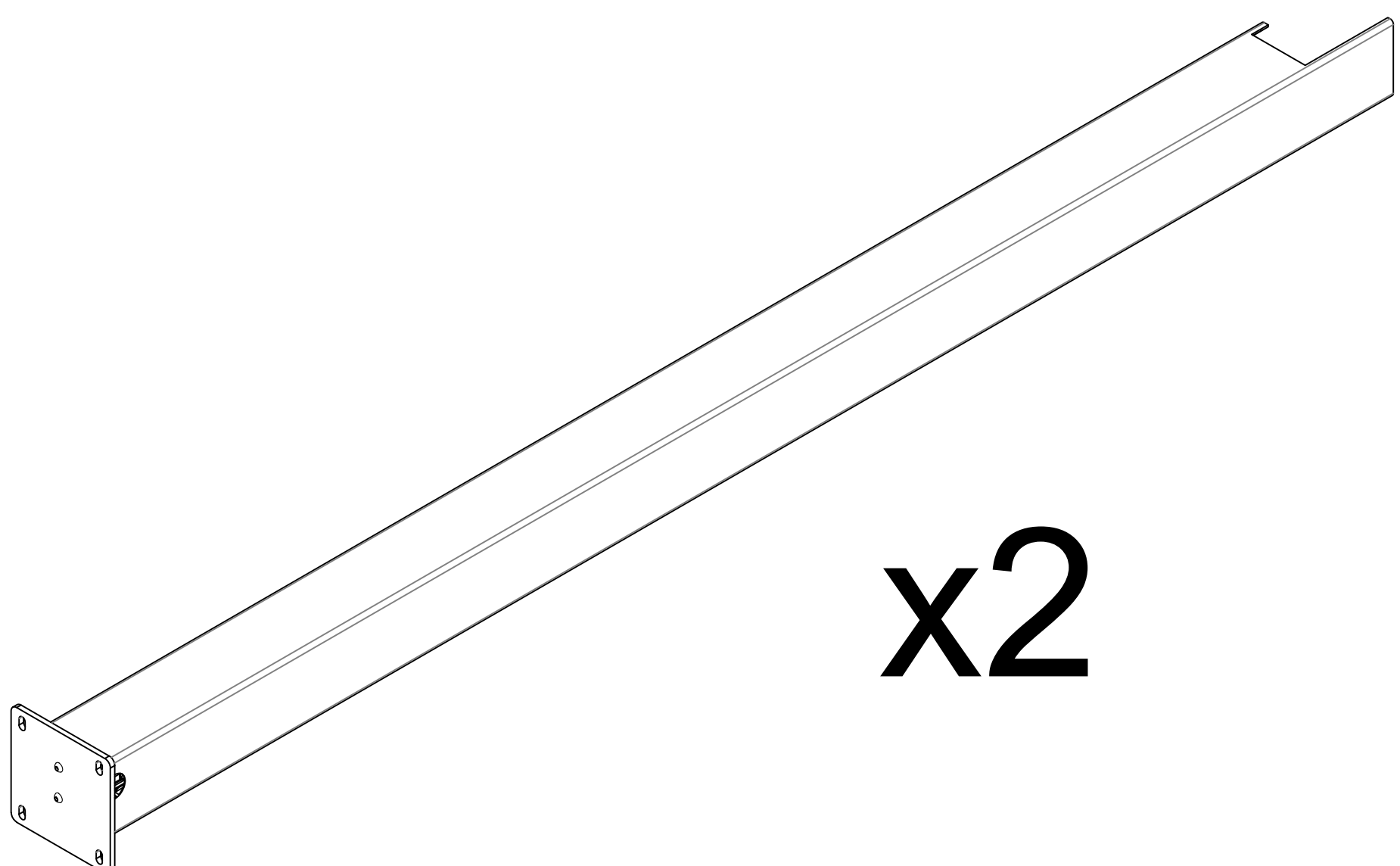
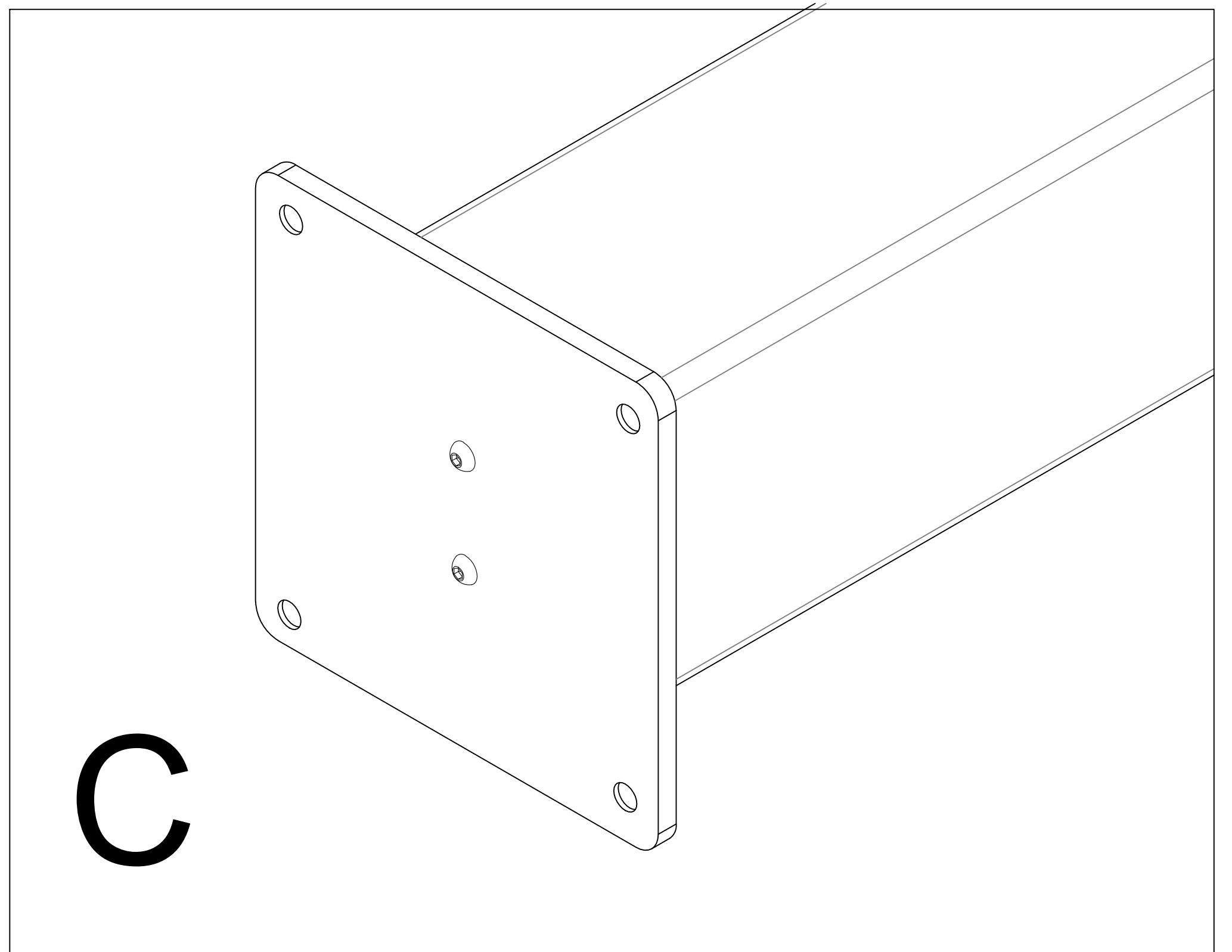
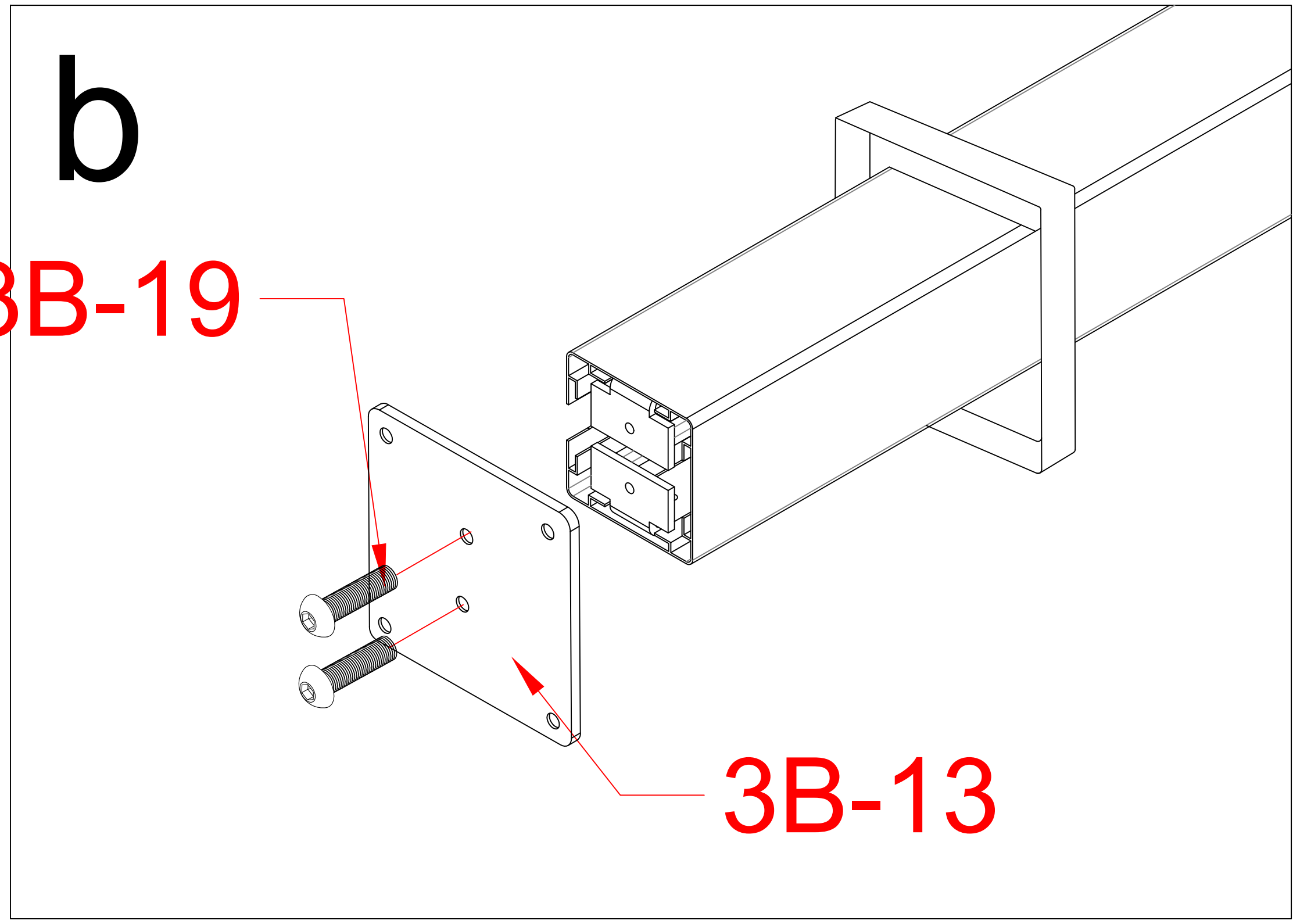
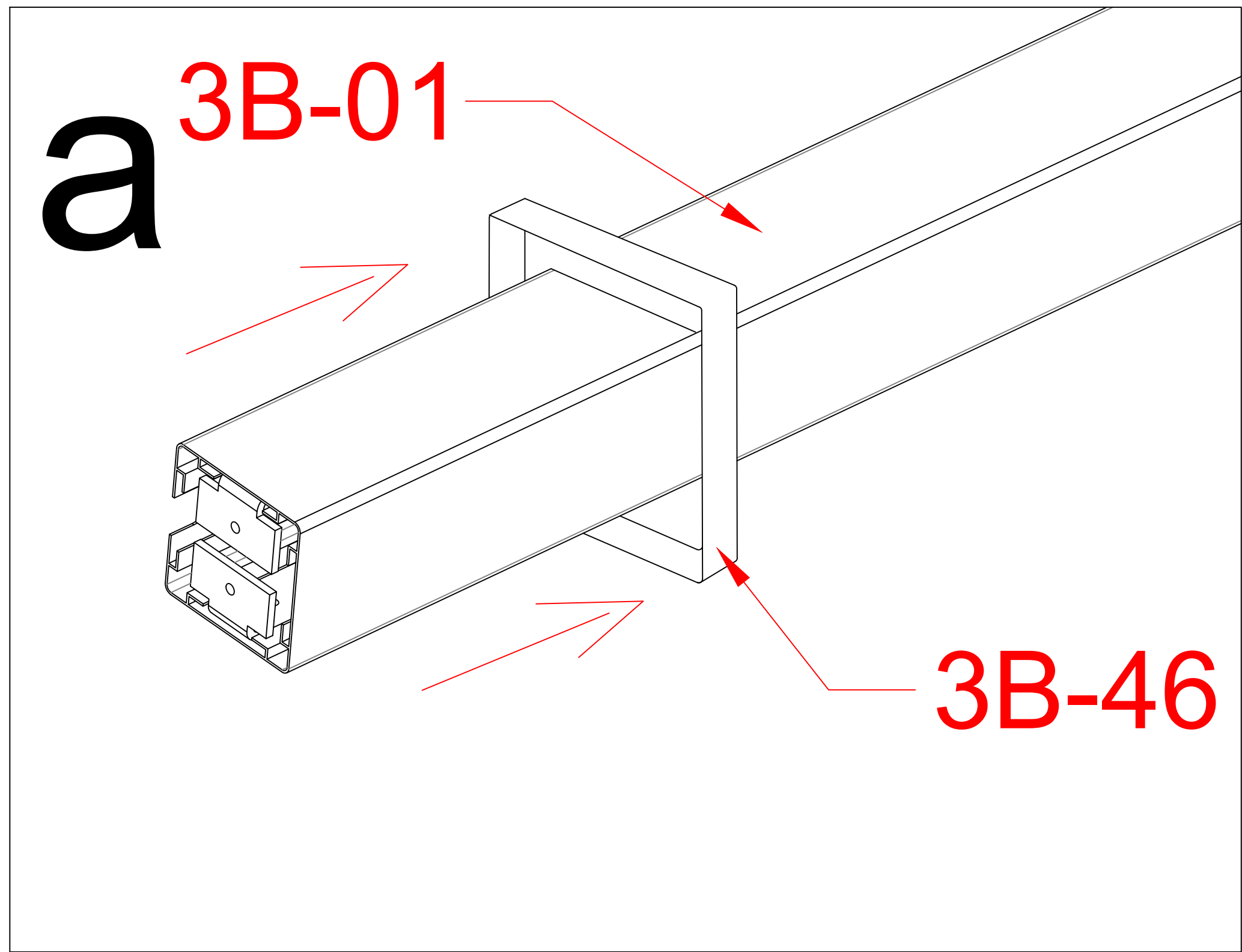


Before installing the bottom expansion screws, please be sure to correct the frame size



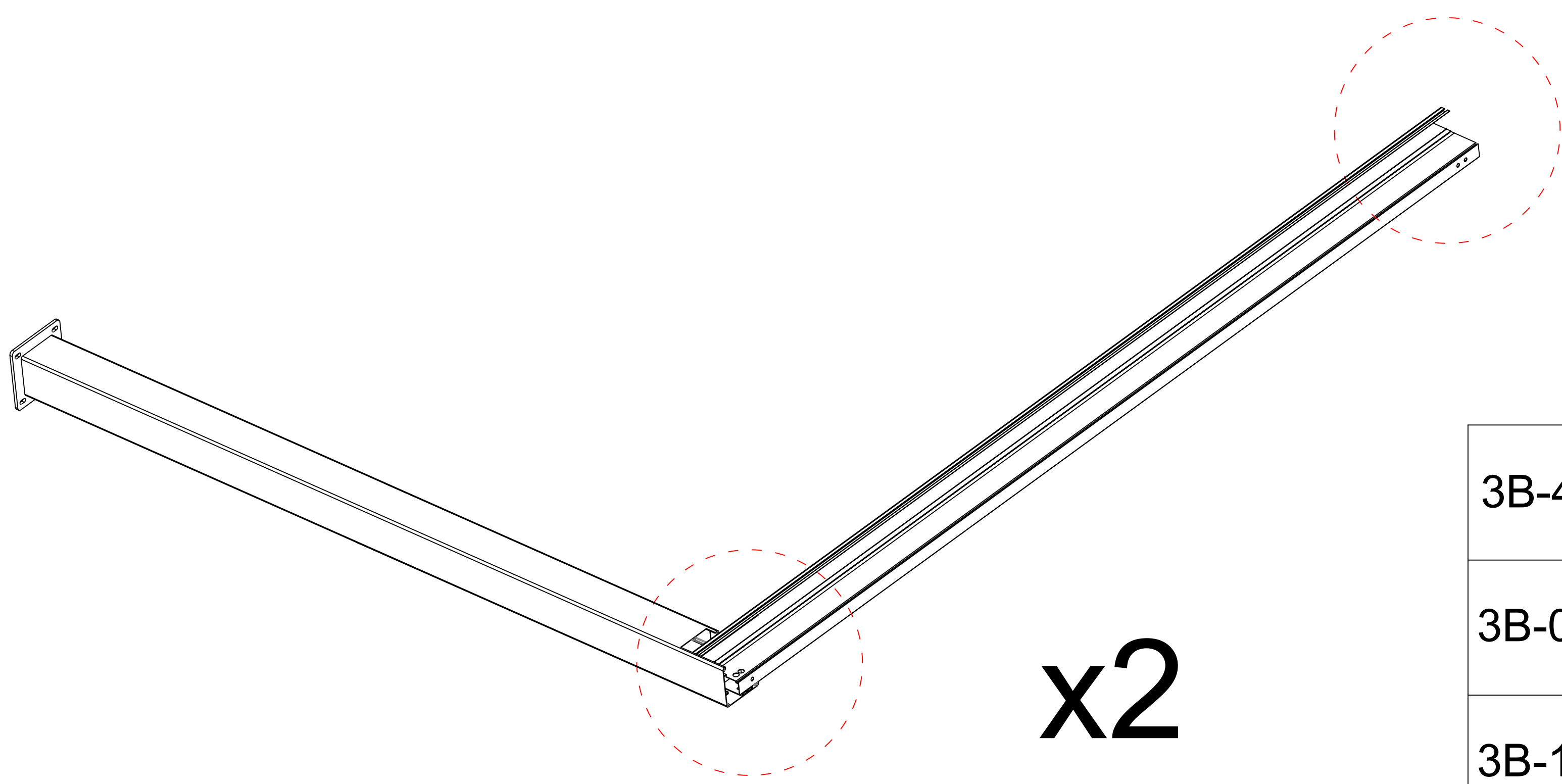
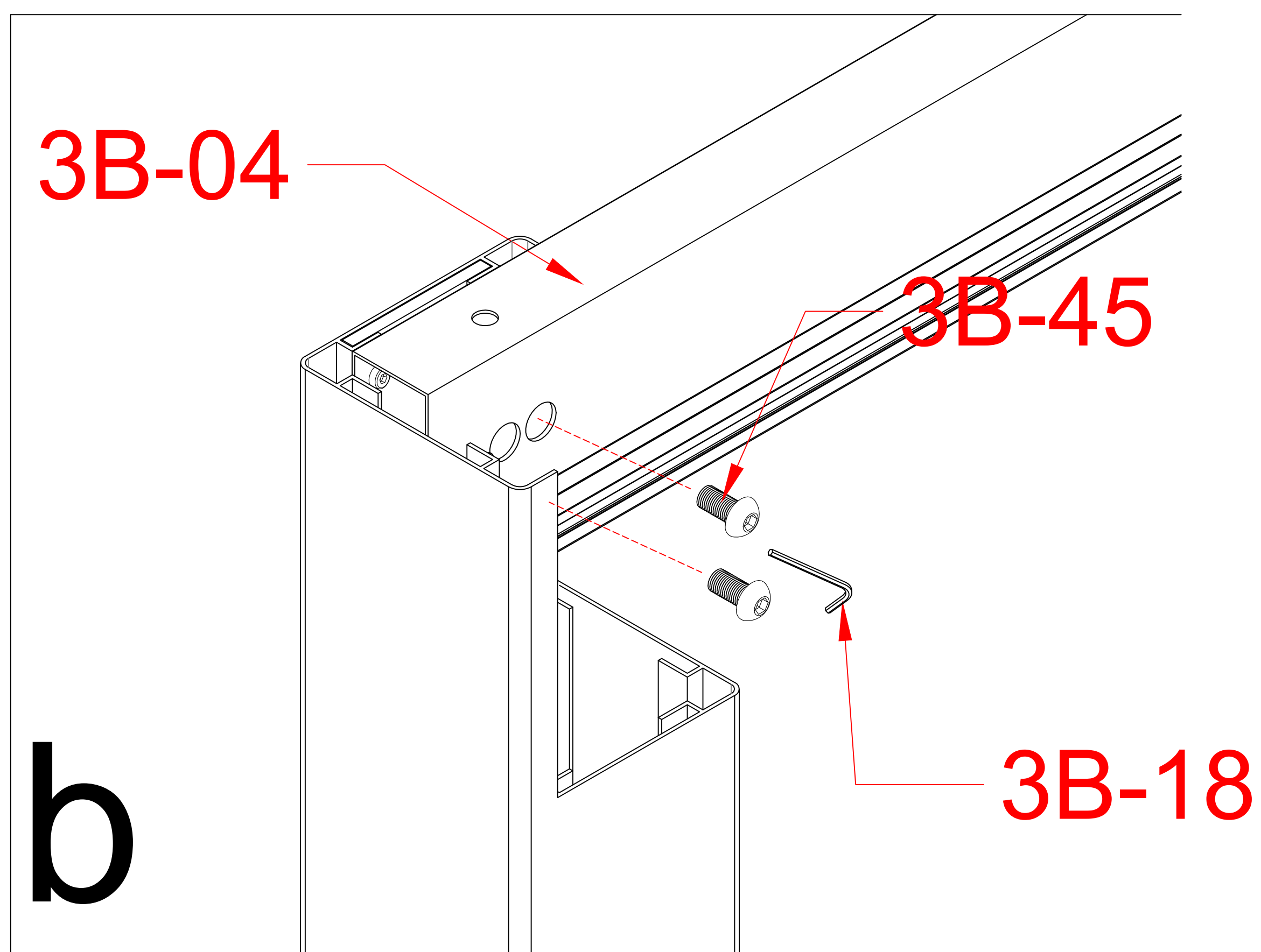
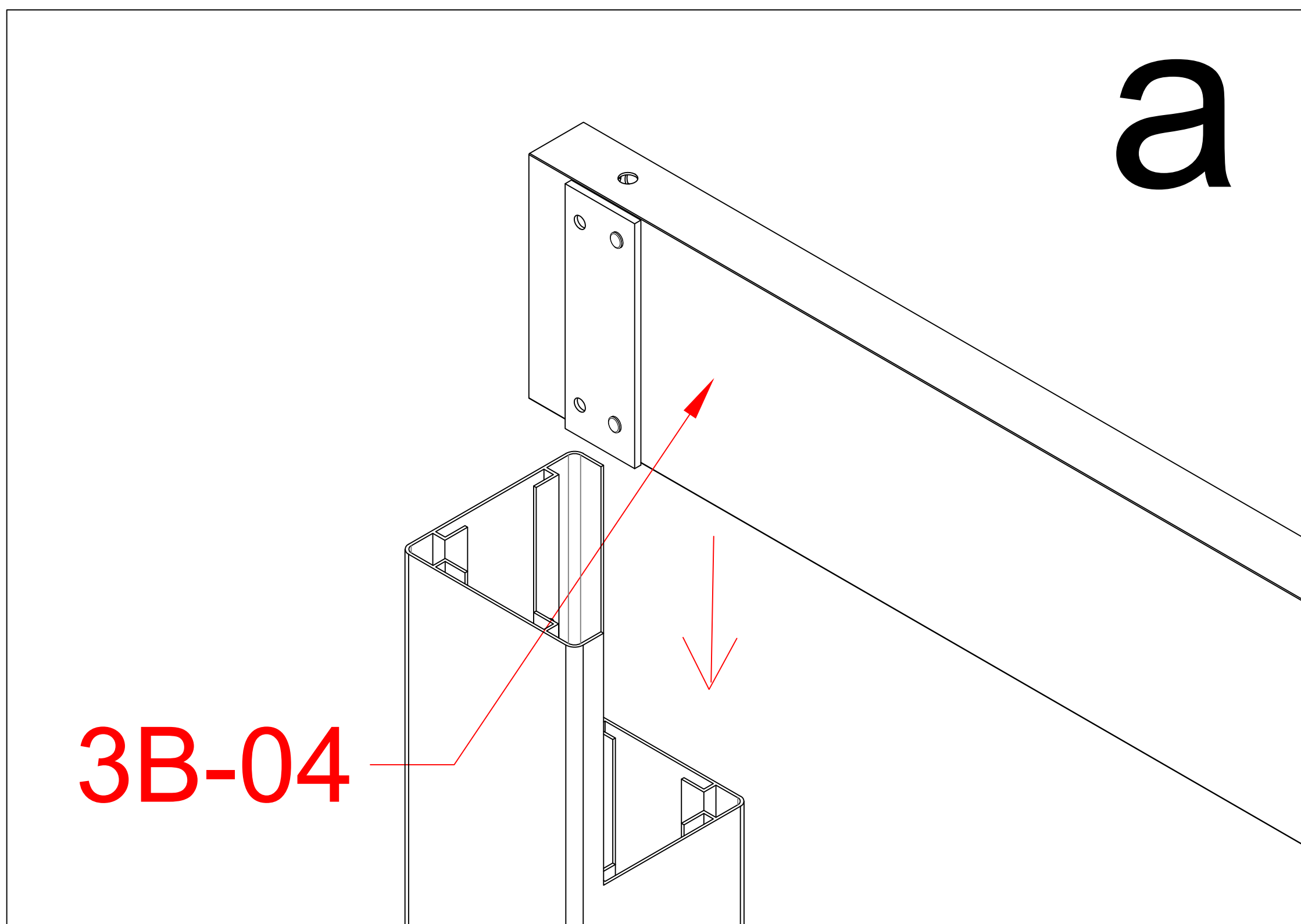


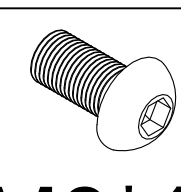


During the installation process, if you encounter any uncertainties, please refer to the installation instructions on the product page of the website.



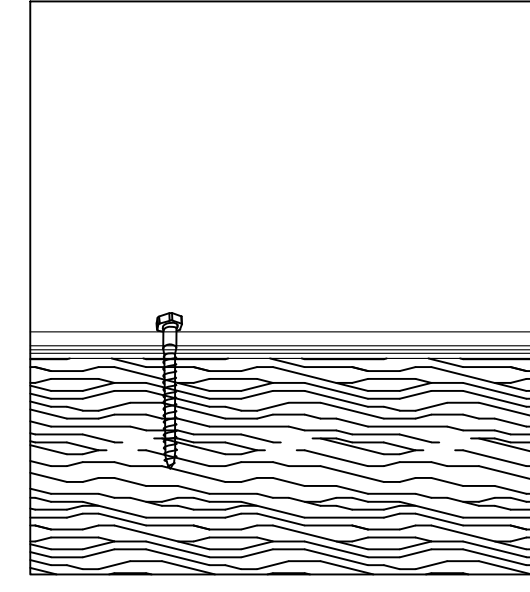
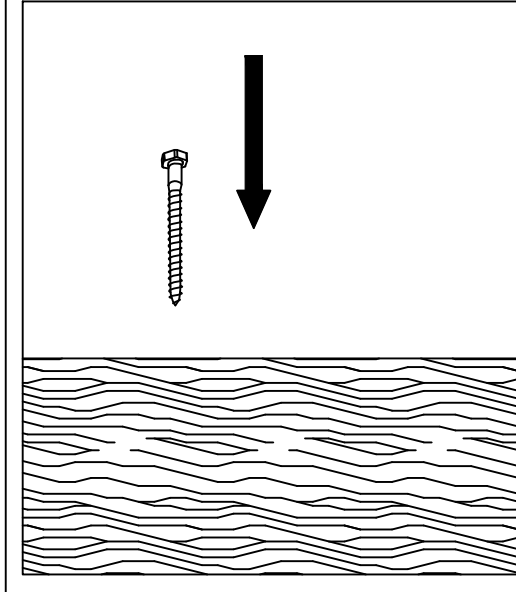
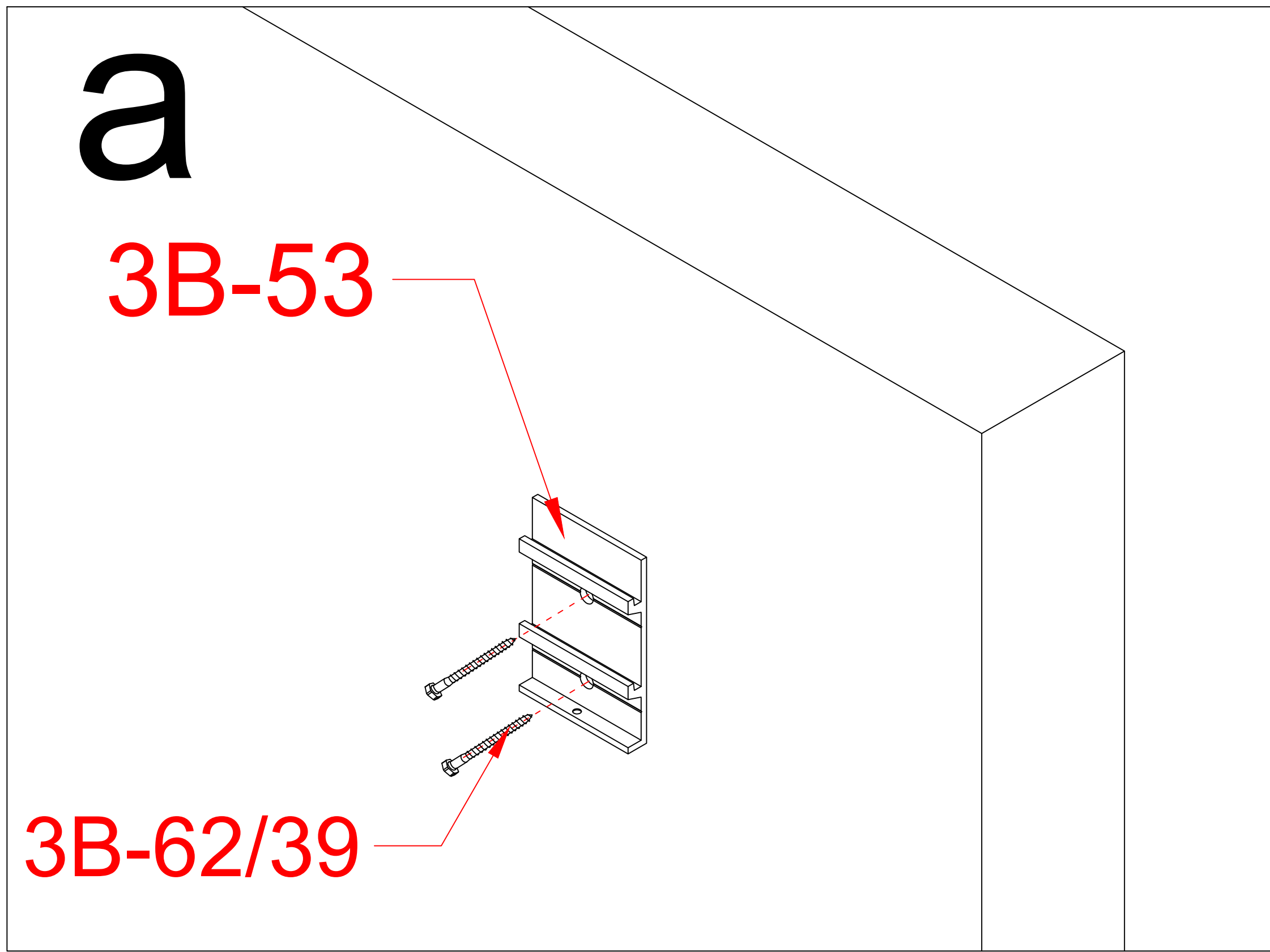
3B-46		2
3B-01		2
3B-13		2
3B-19		4



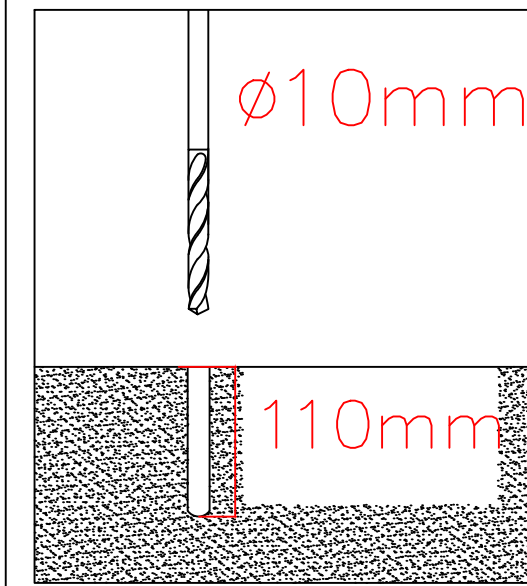


3B-45	 M8*10	4
3B-04		2
3B-18		1





3B-39:

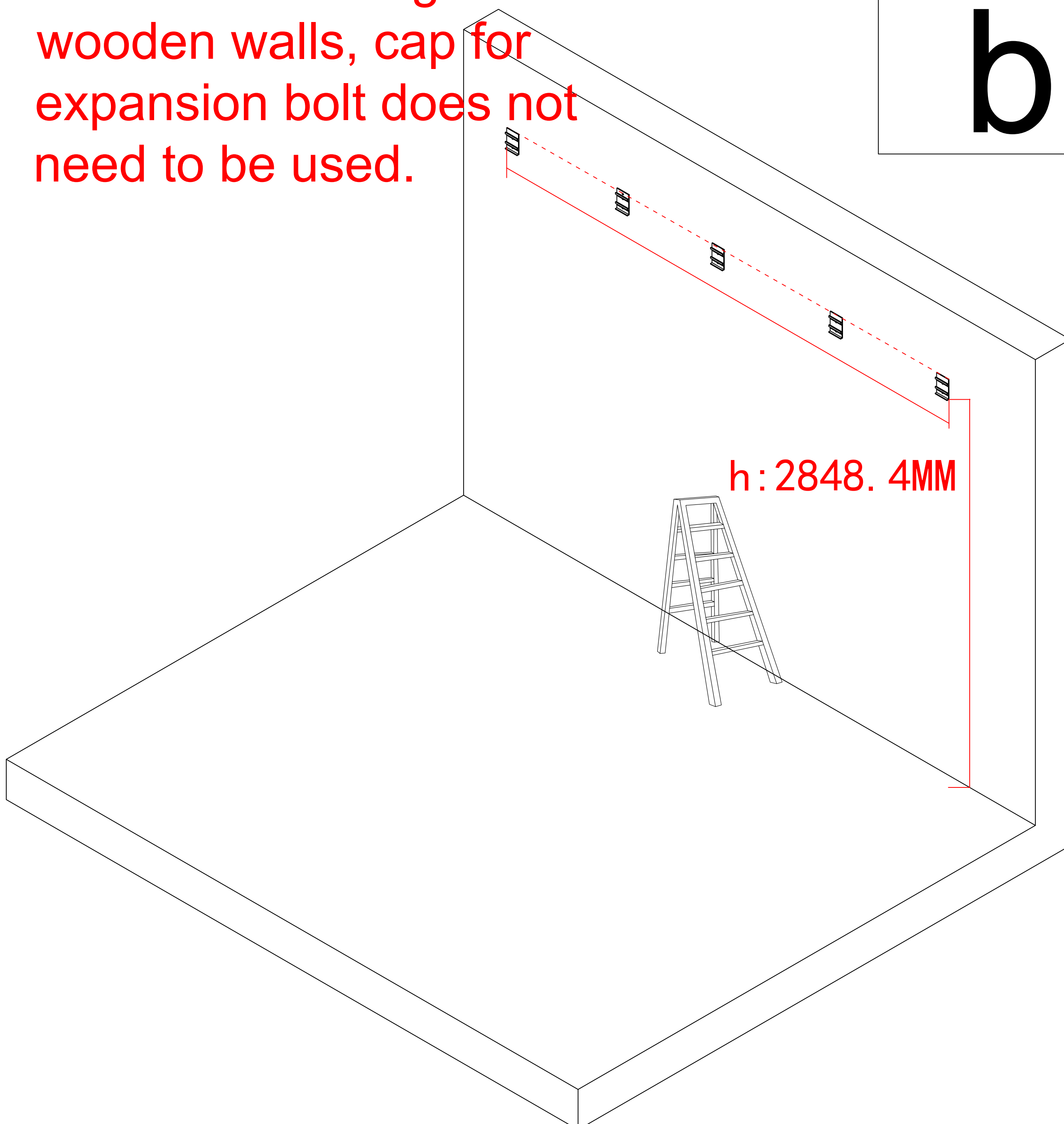
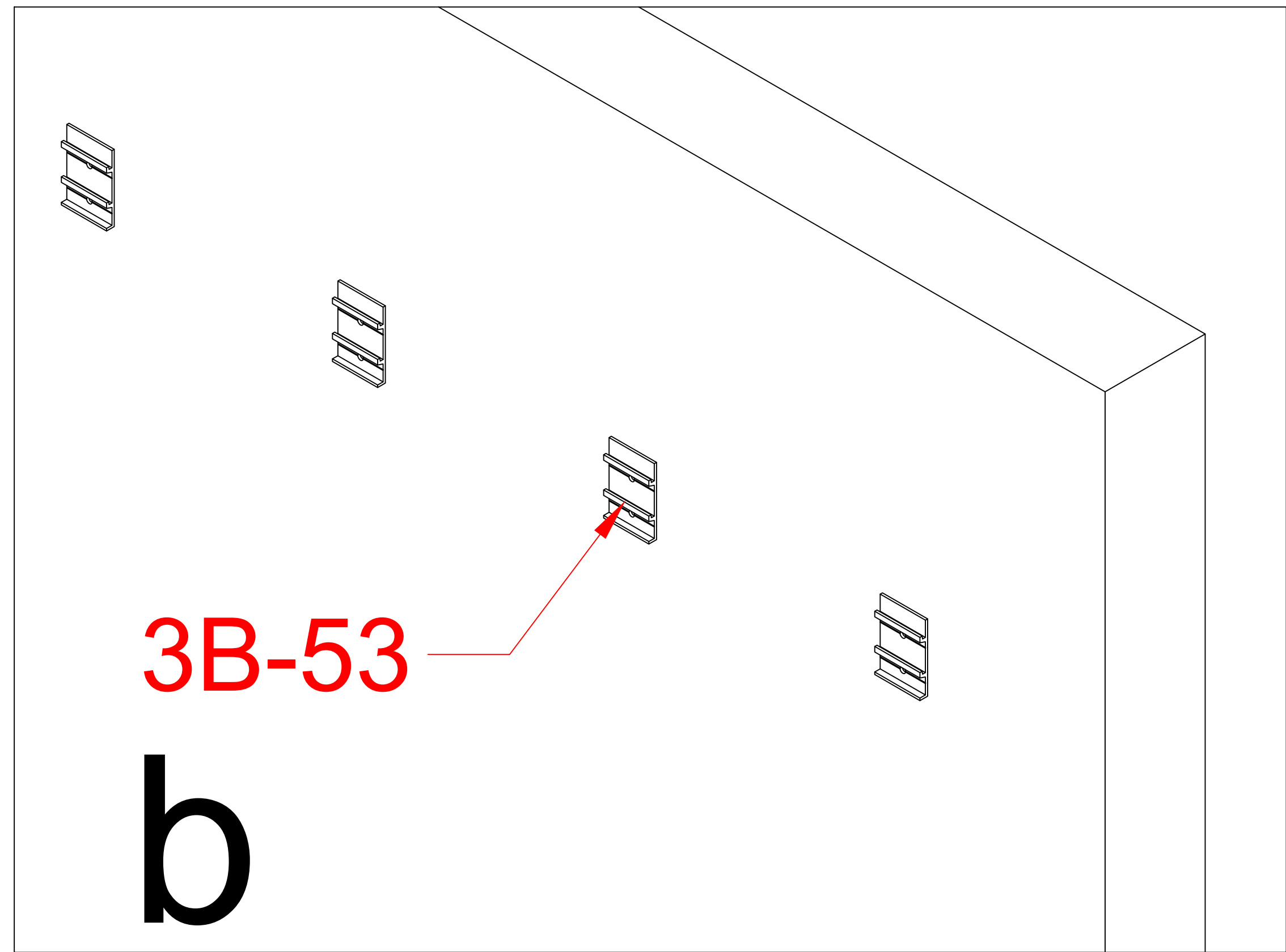


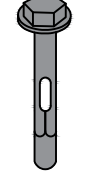

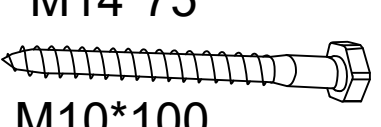
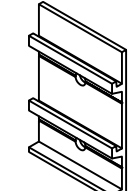
Attention:

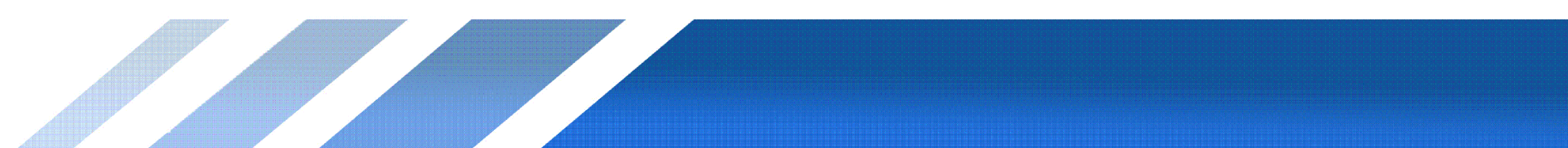
1. Before installing here, please ensure that the wall is flat

2. If it is a wooden wall, please use 3B-62, and if it is the Cement wall, please use 3B-39

3. When installing on wooden walls, cap for expansion bolt does not need to be used.

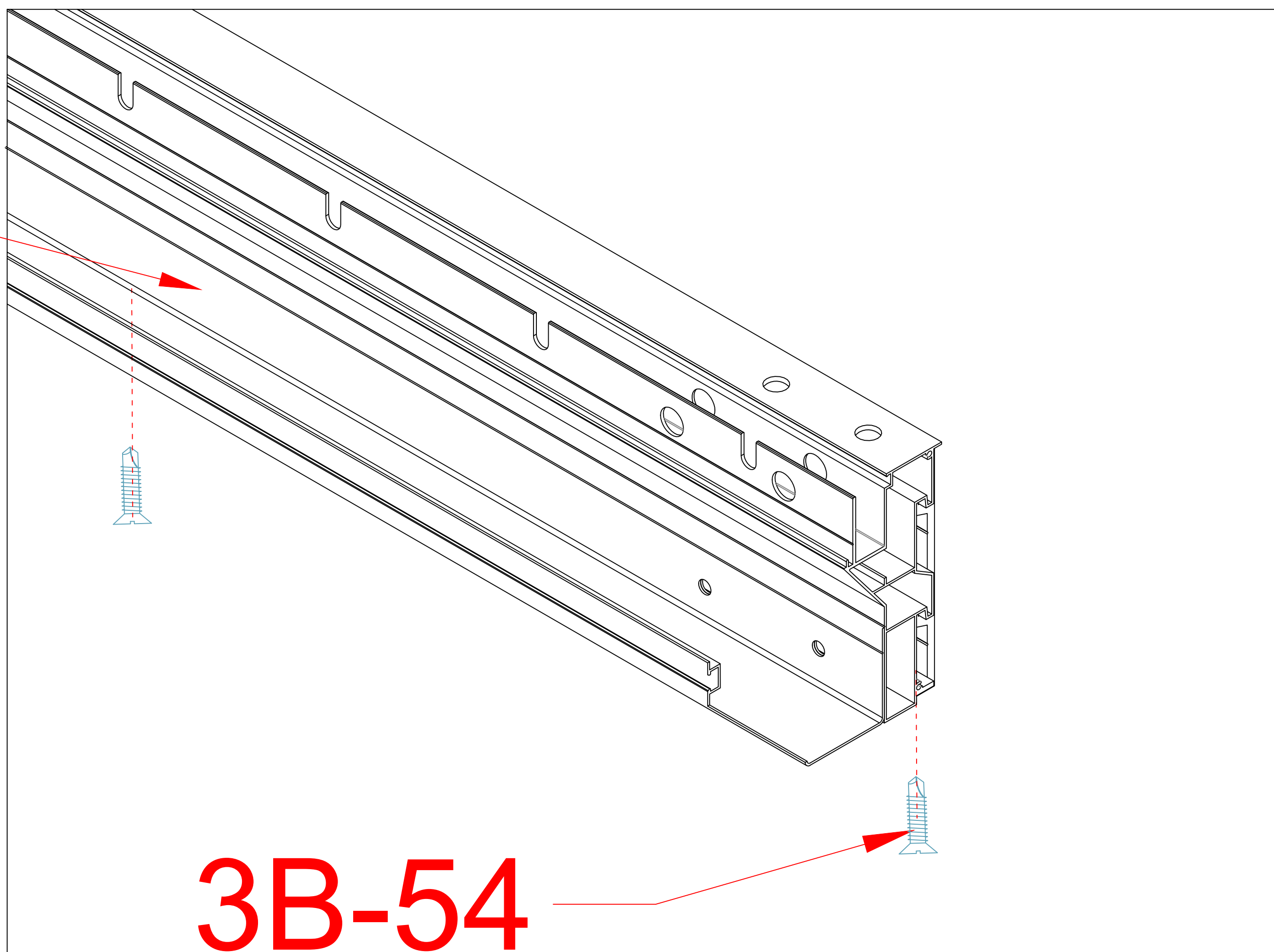


3B-39	 M8*100	10
3B-62	 M14*75  M10*100	10
3B-53		5

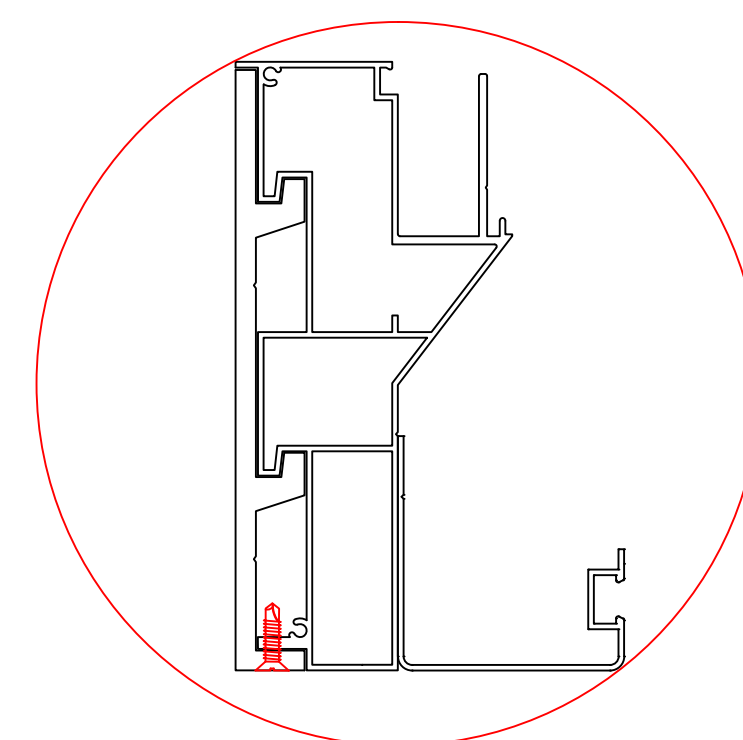




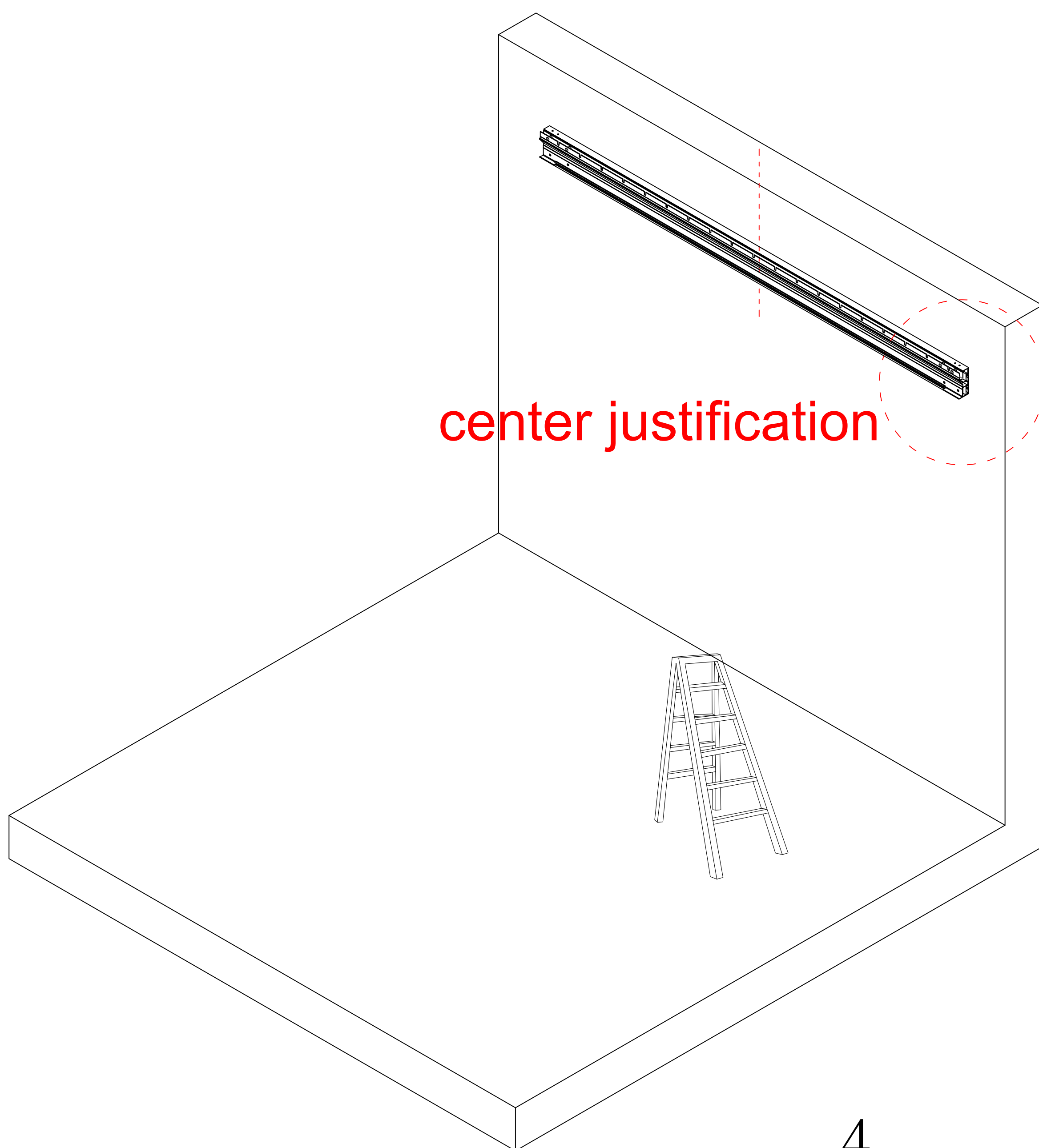
3B-02

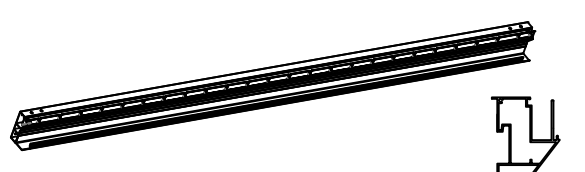
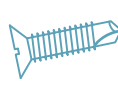


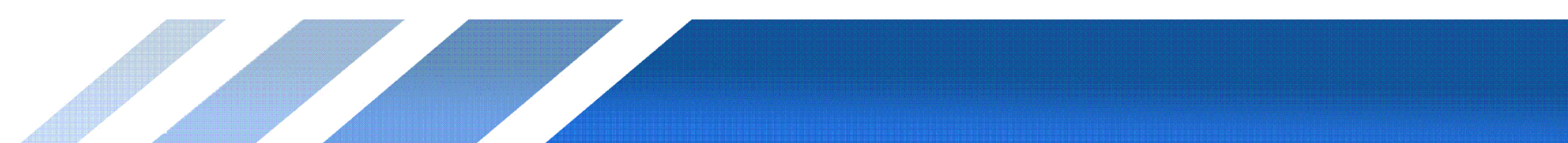
3B-54

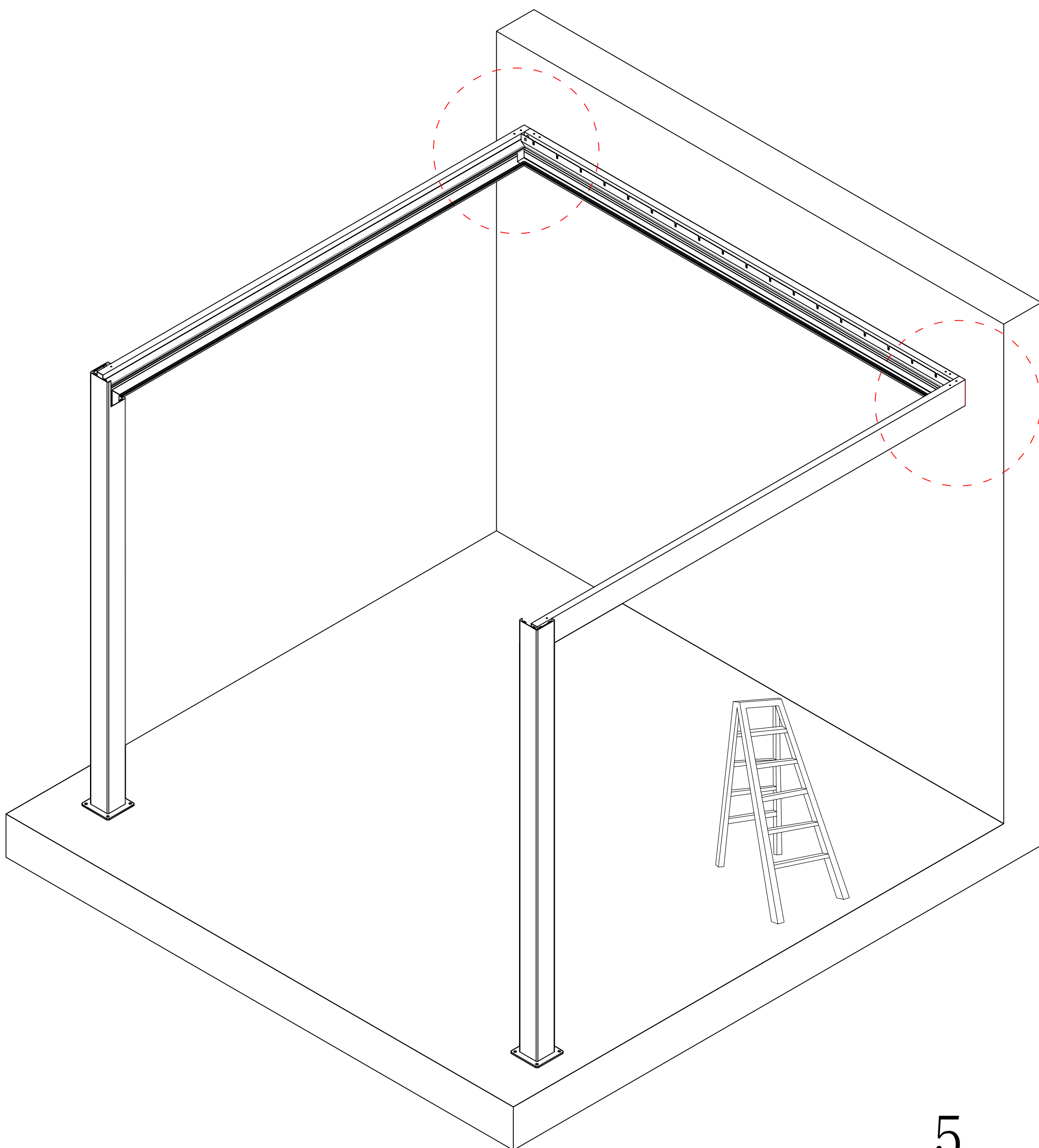
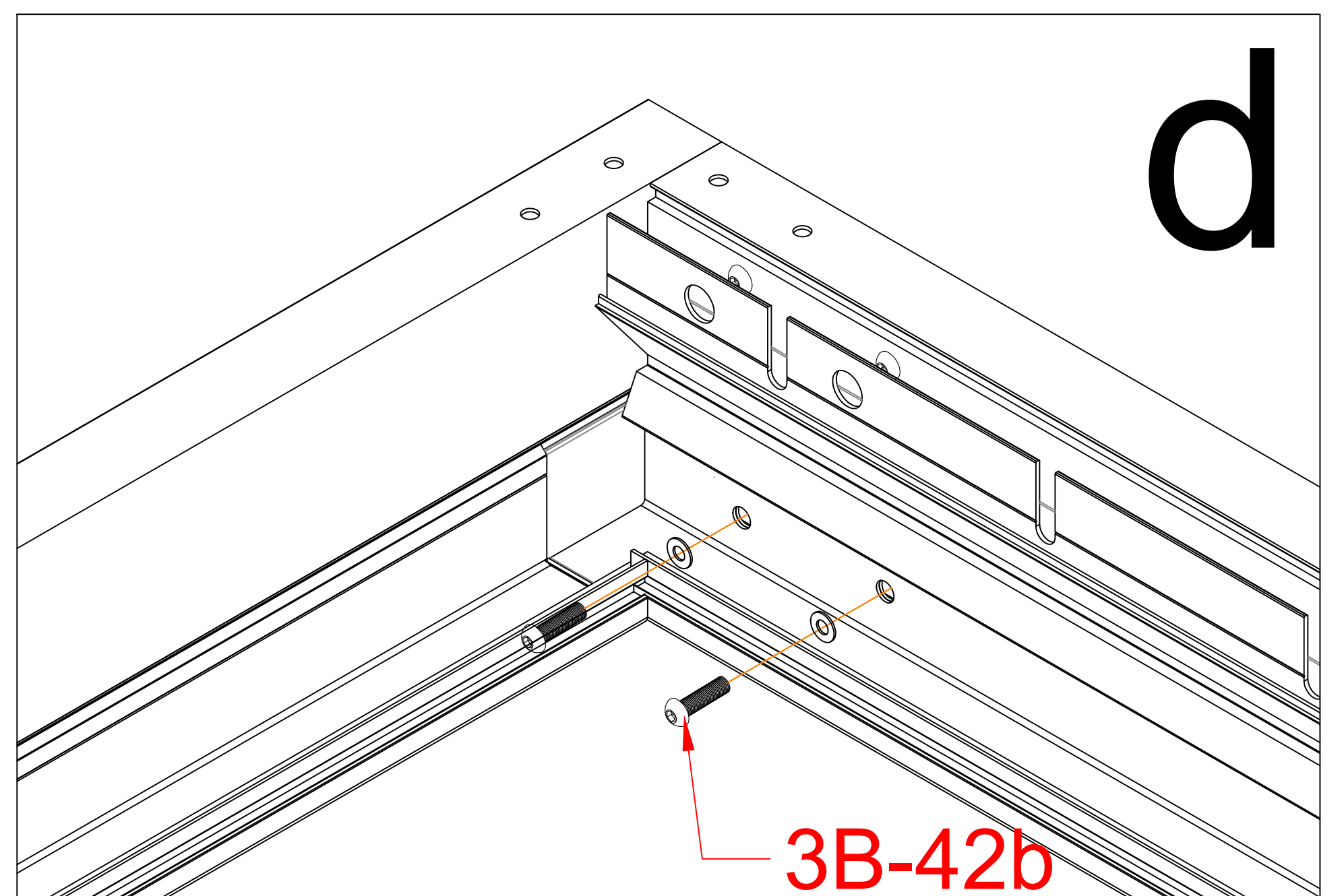
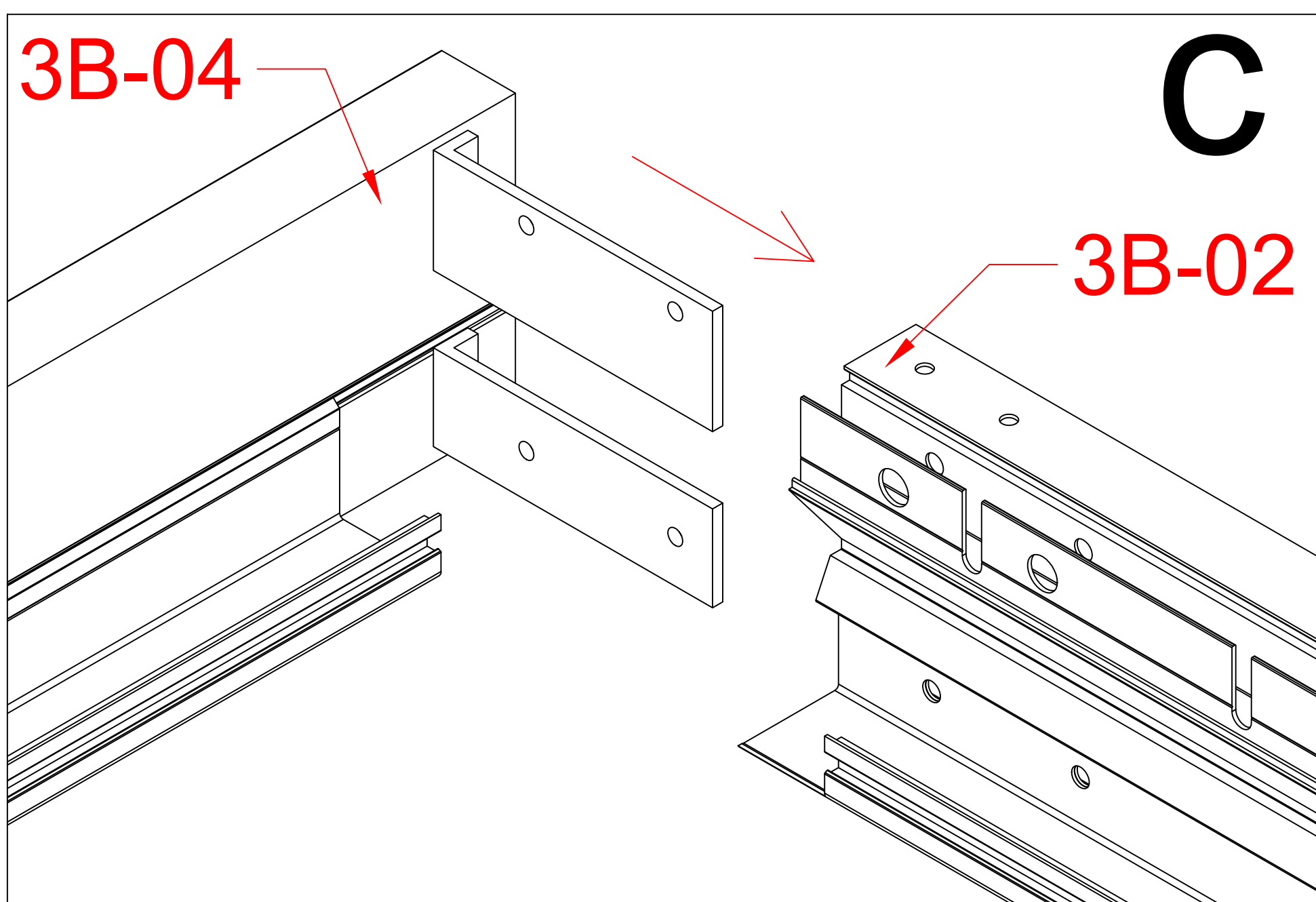
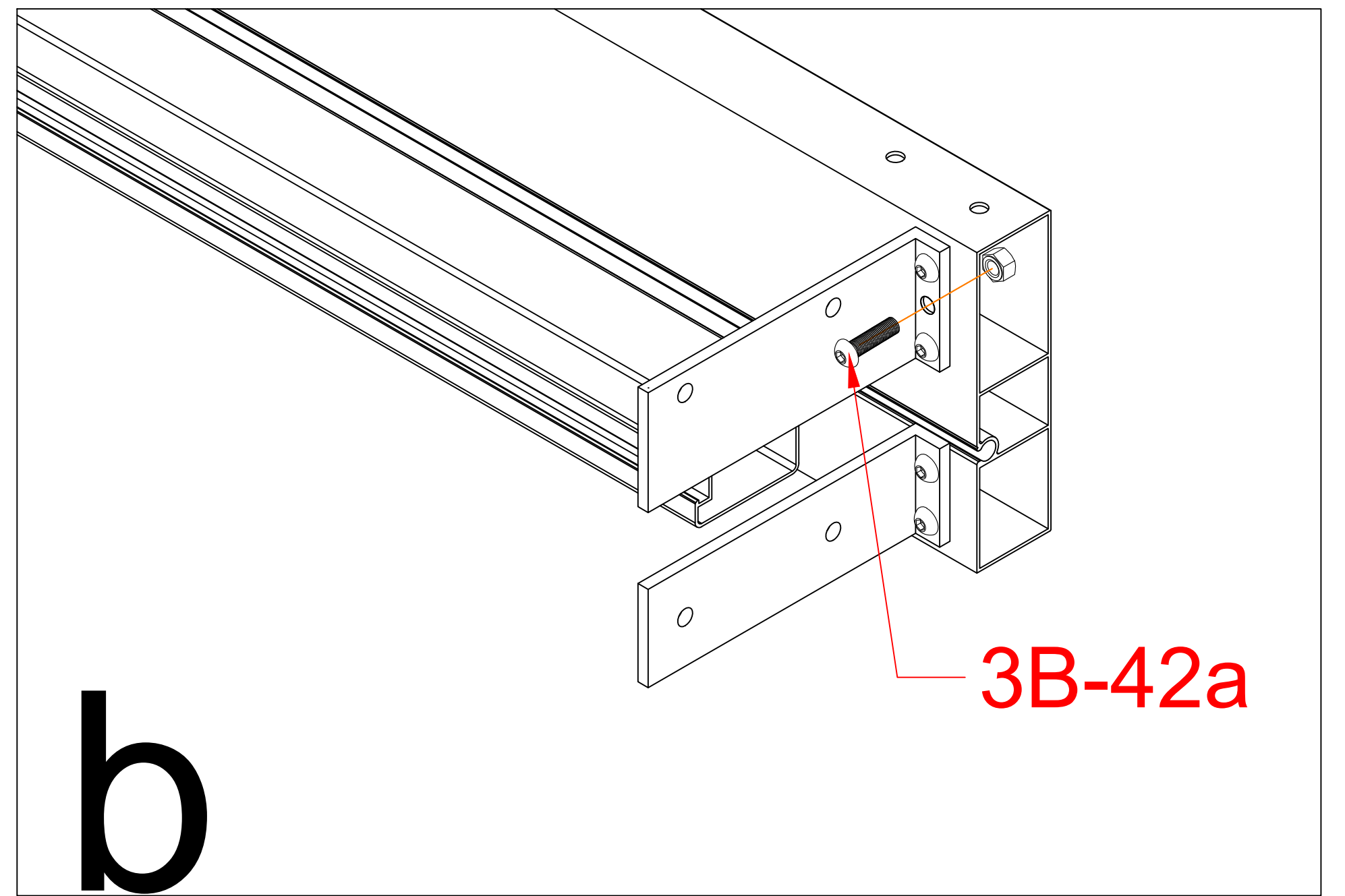
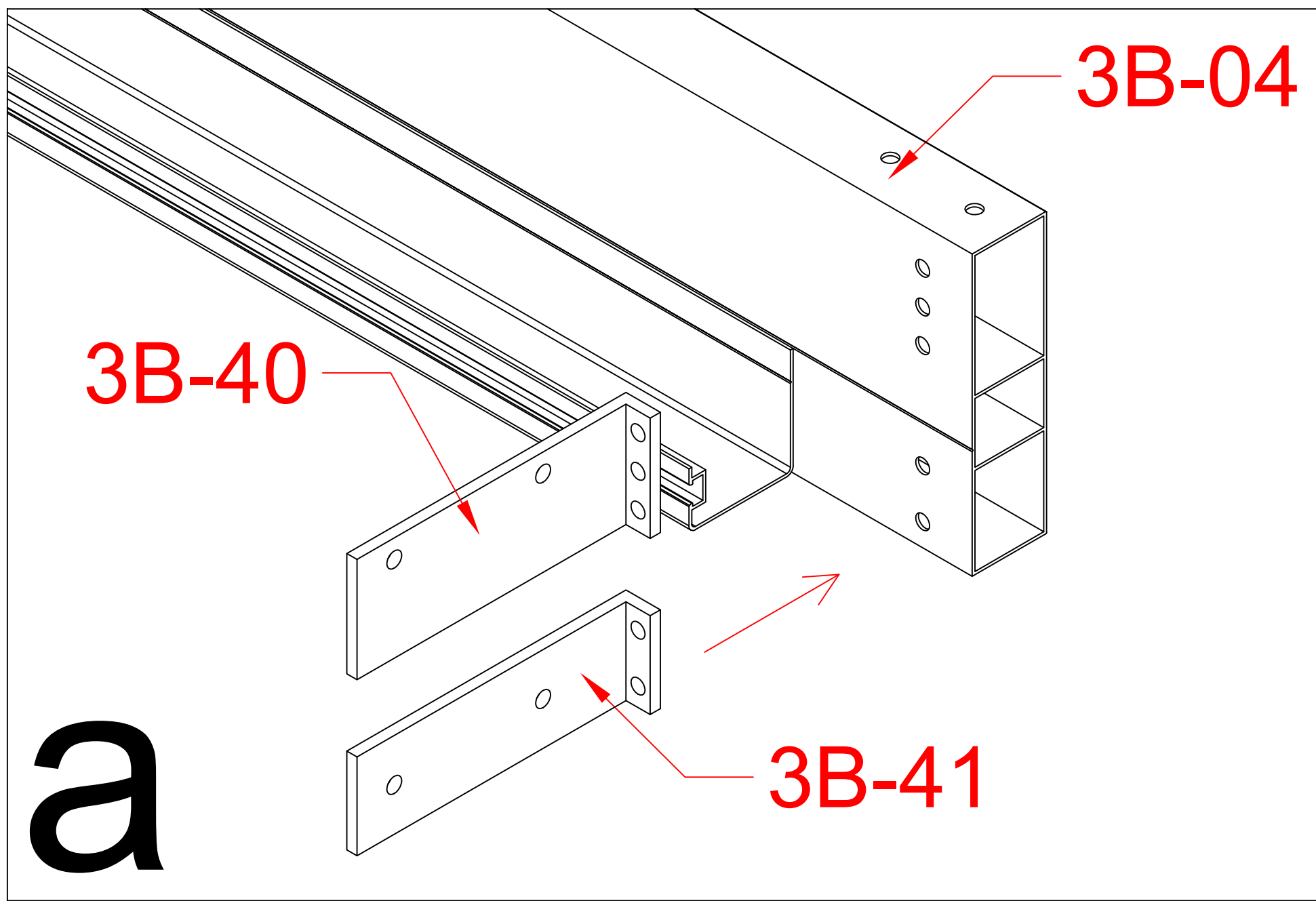


center justification

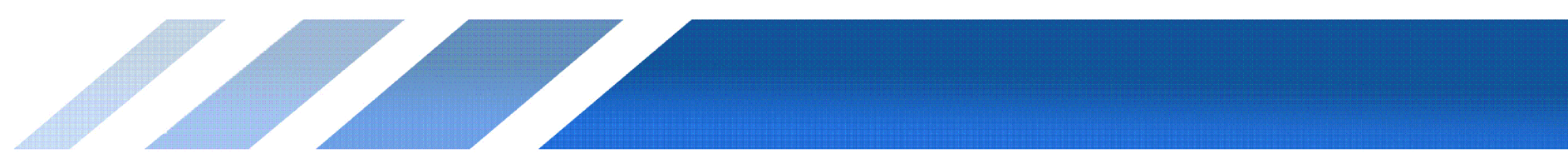


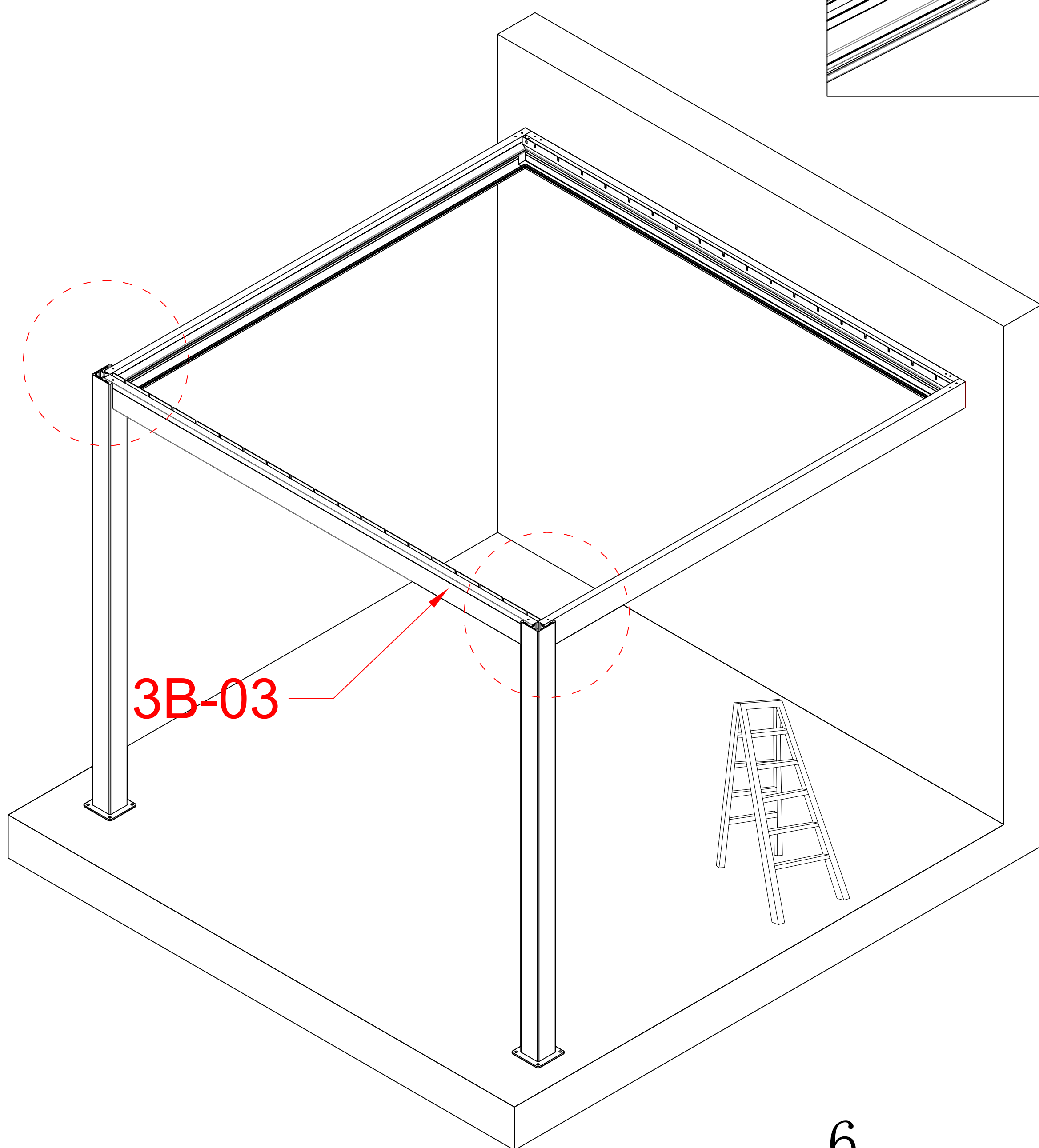
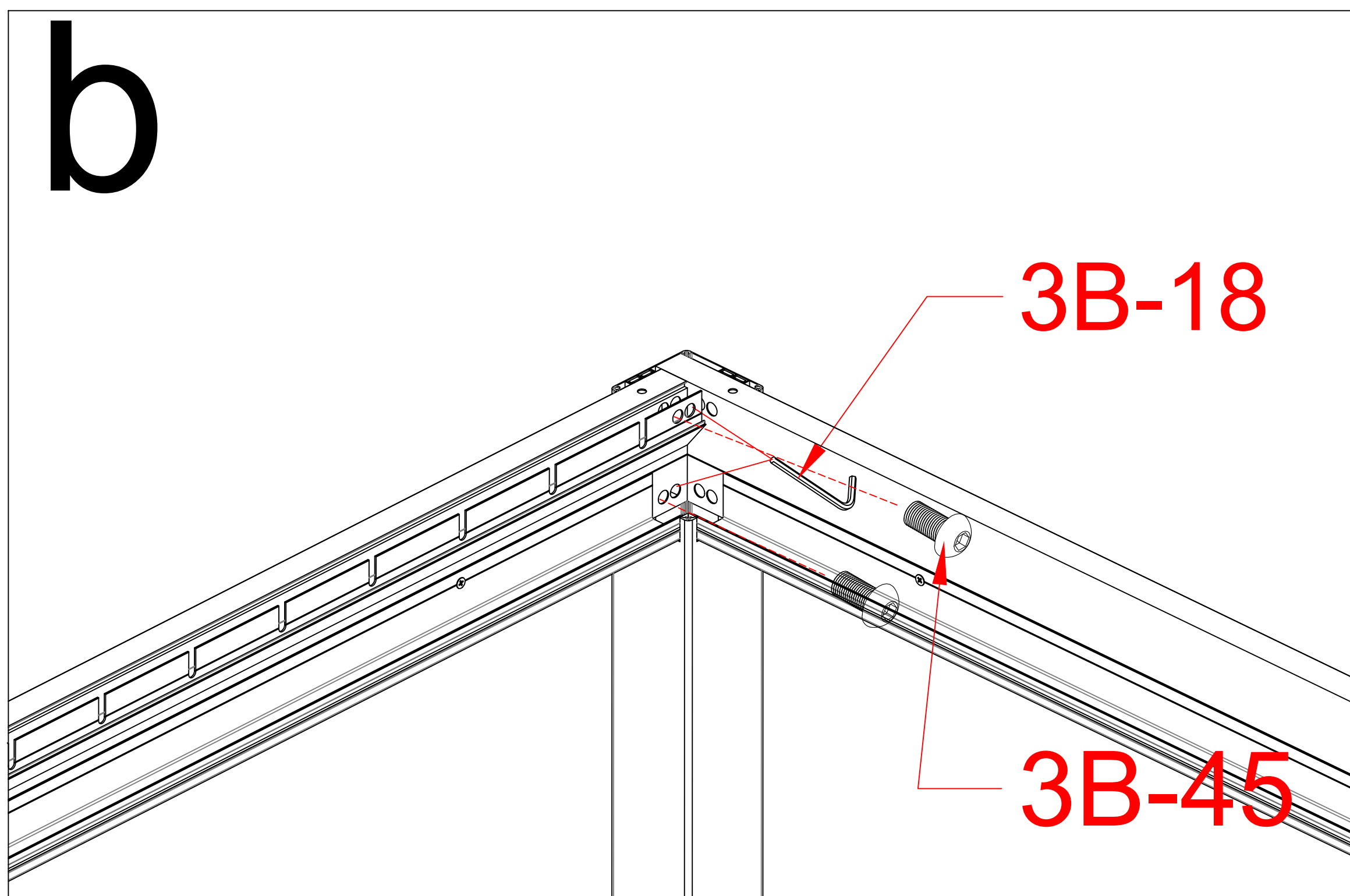
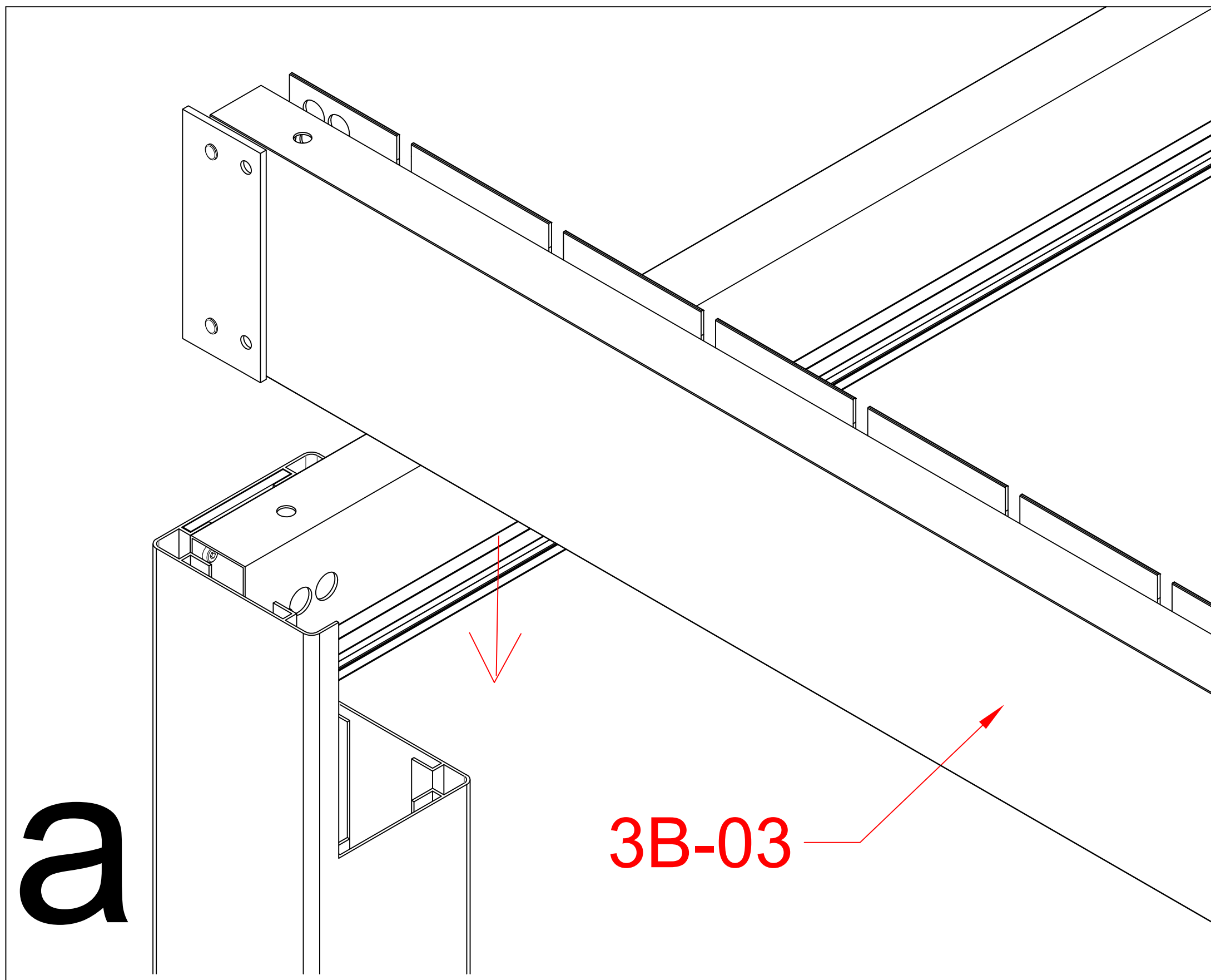
3B-02		1
3B-54	 M4.2*25	5

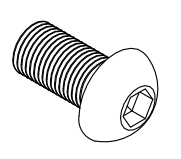
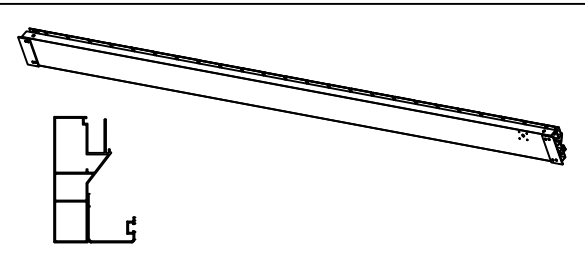


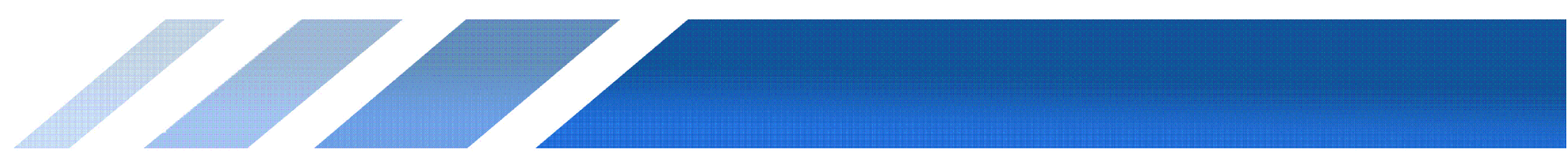


3B-42a	M6*16	10
3B-42b	M6*16 P	8
3B-40	3B-40	2
3B-41	3B-41	2
3B-04	3B-04	2





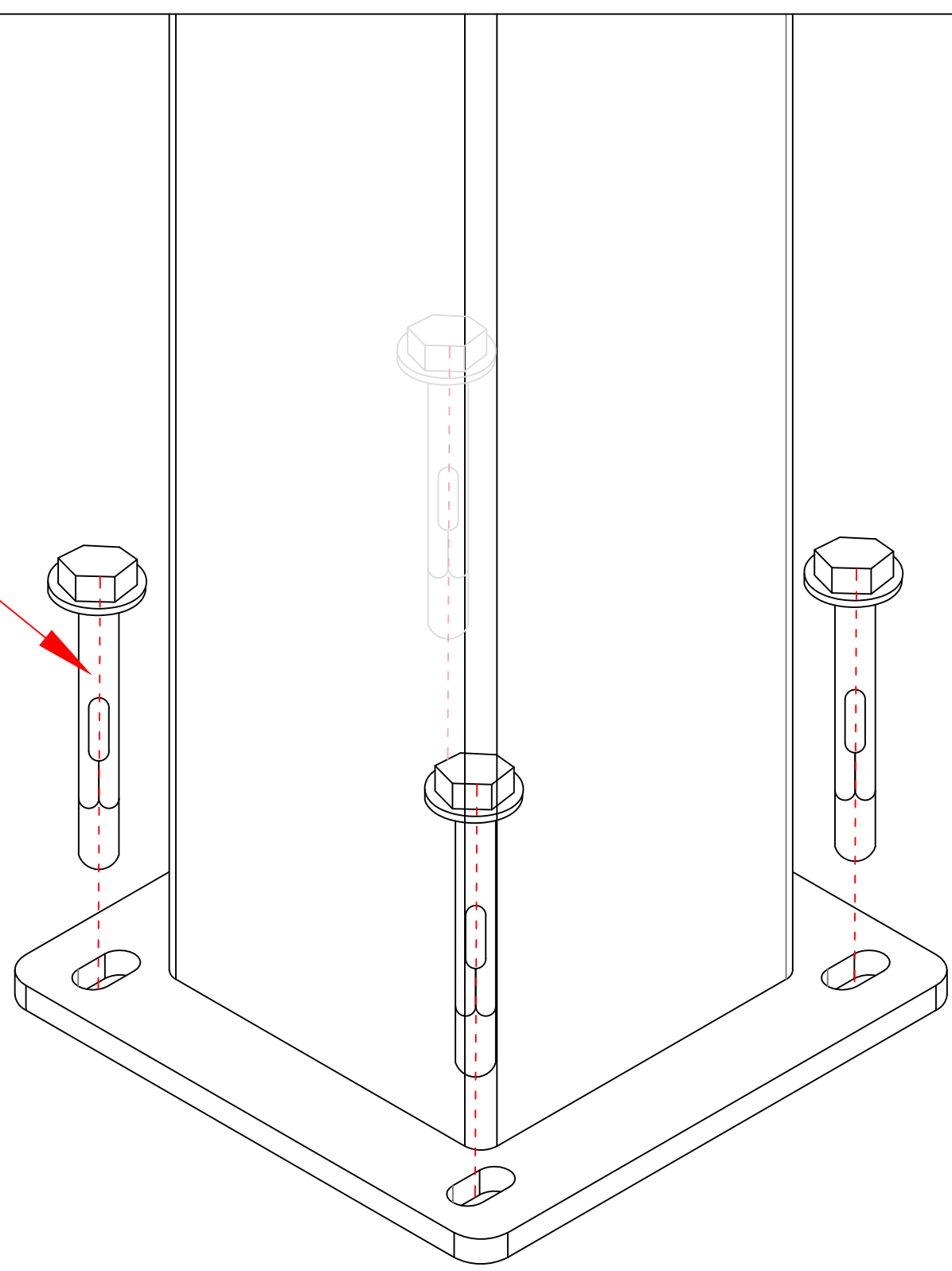
3B-45	 M8*10	4
3B-02		1



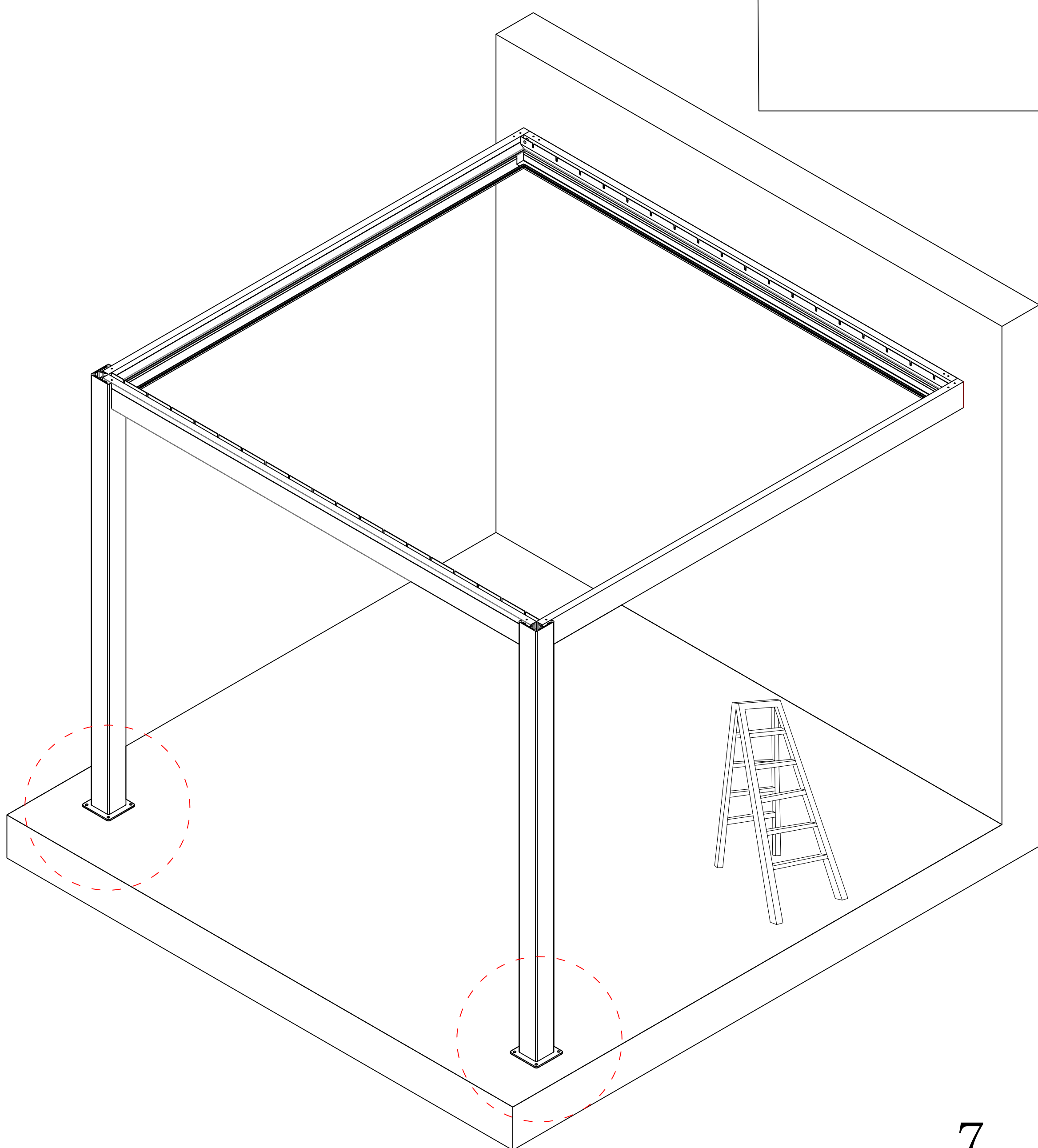
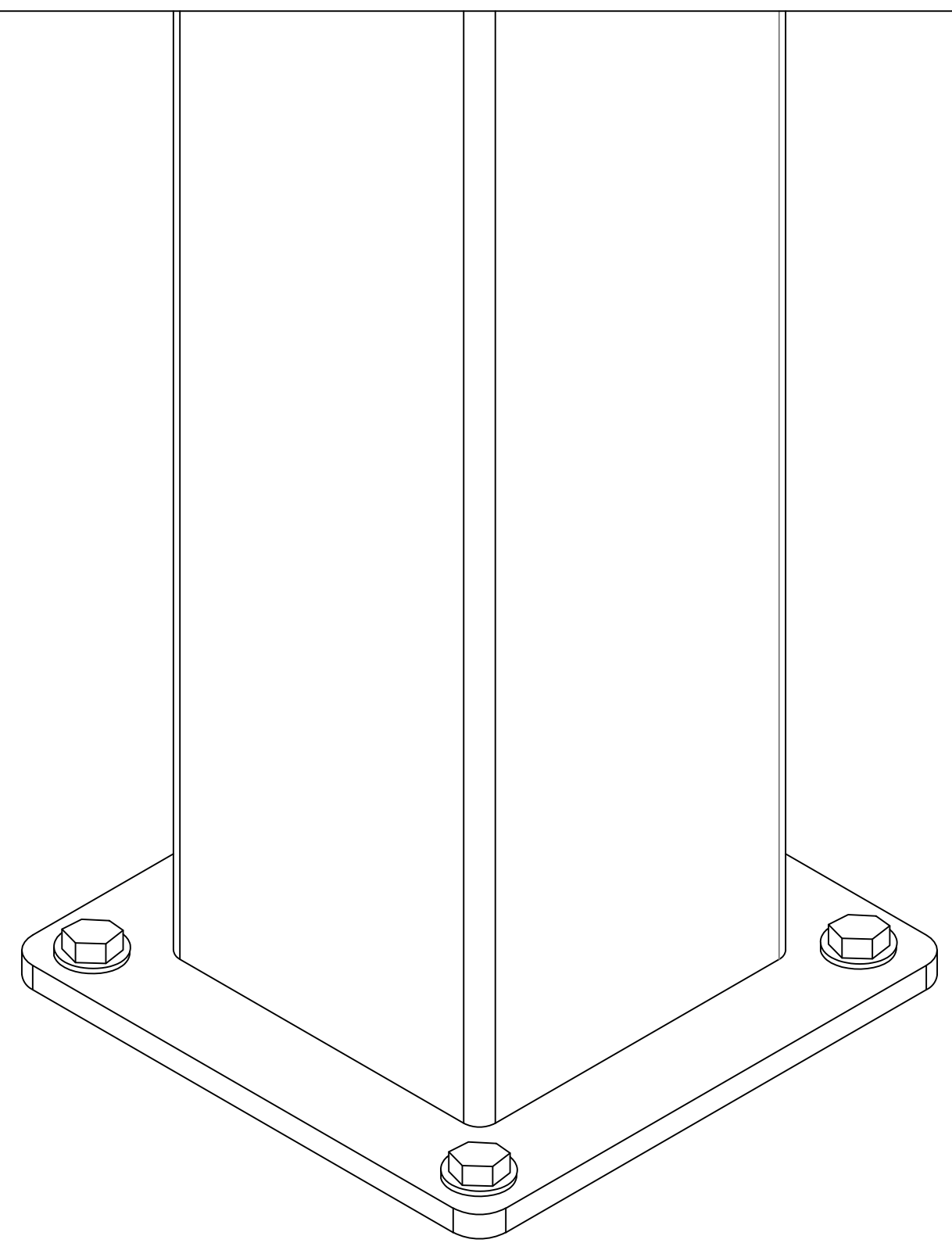


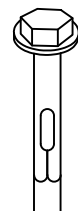
a

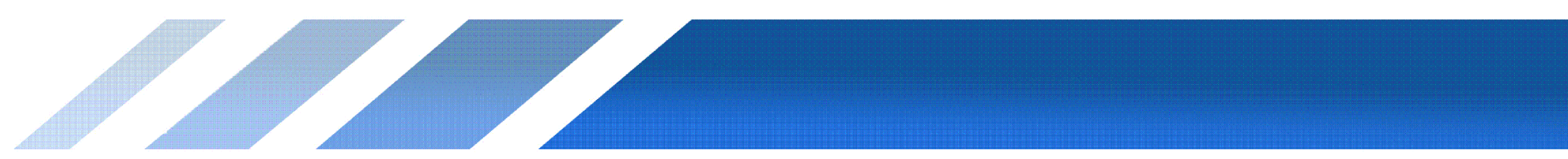
3B-21

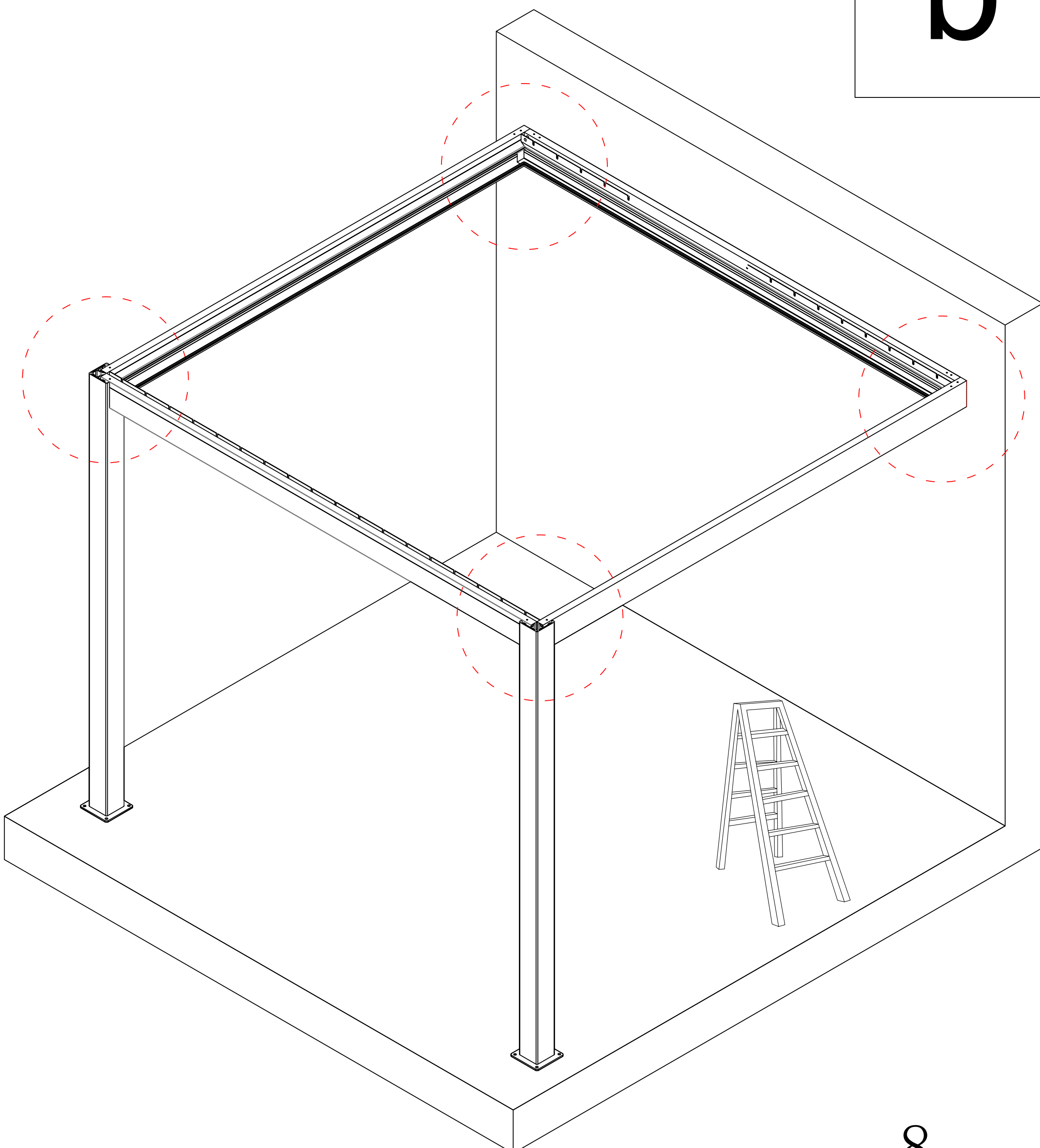
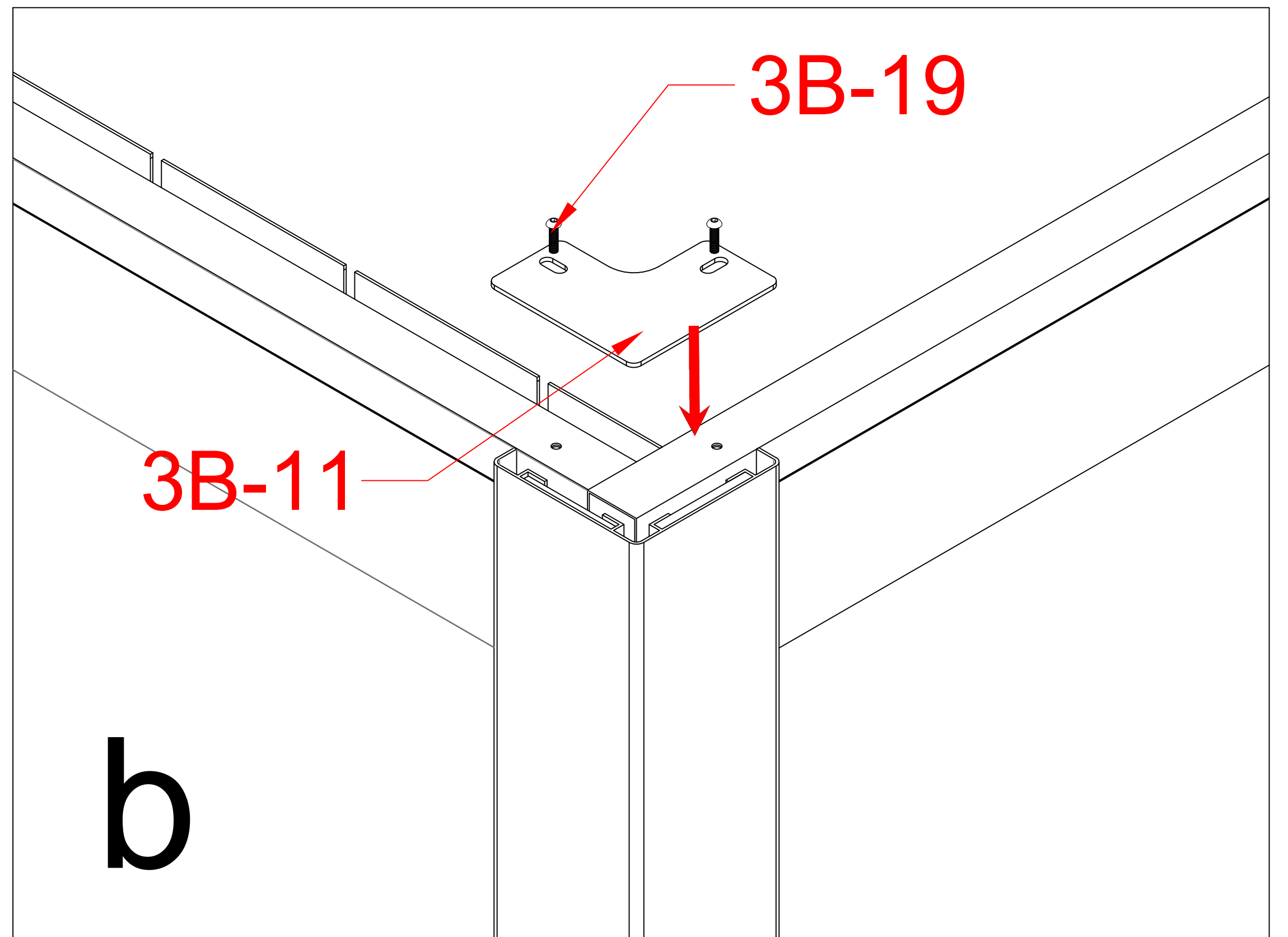
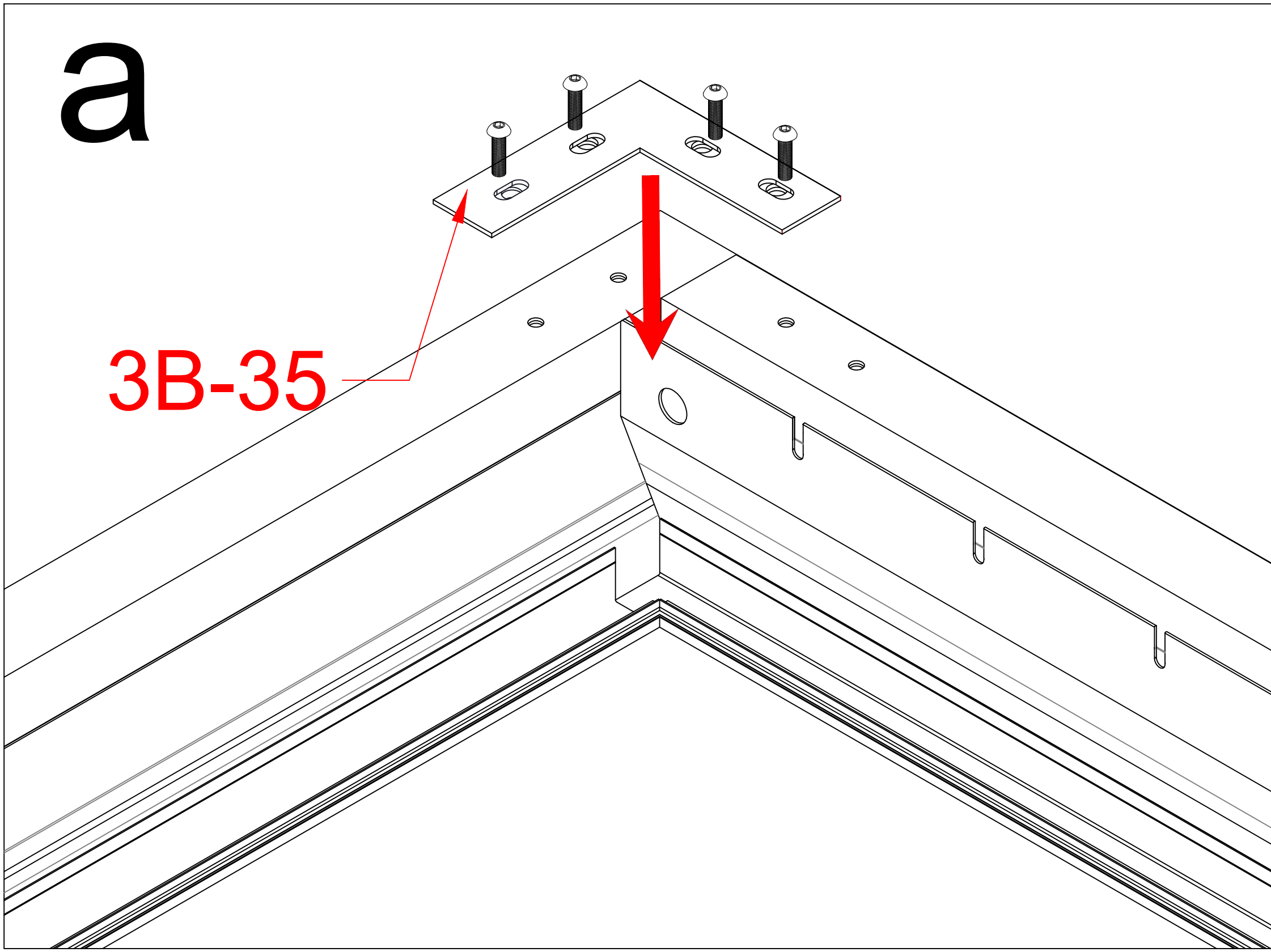


b

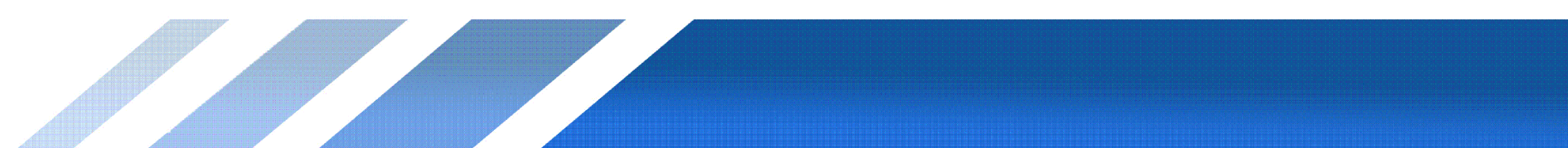


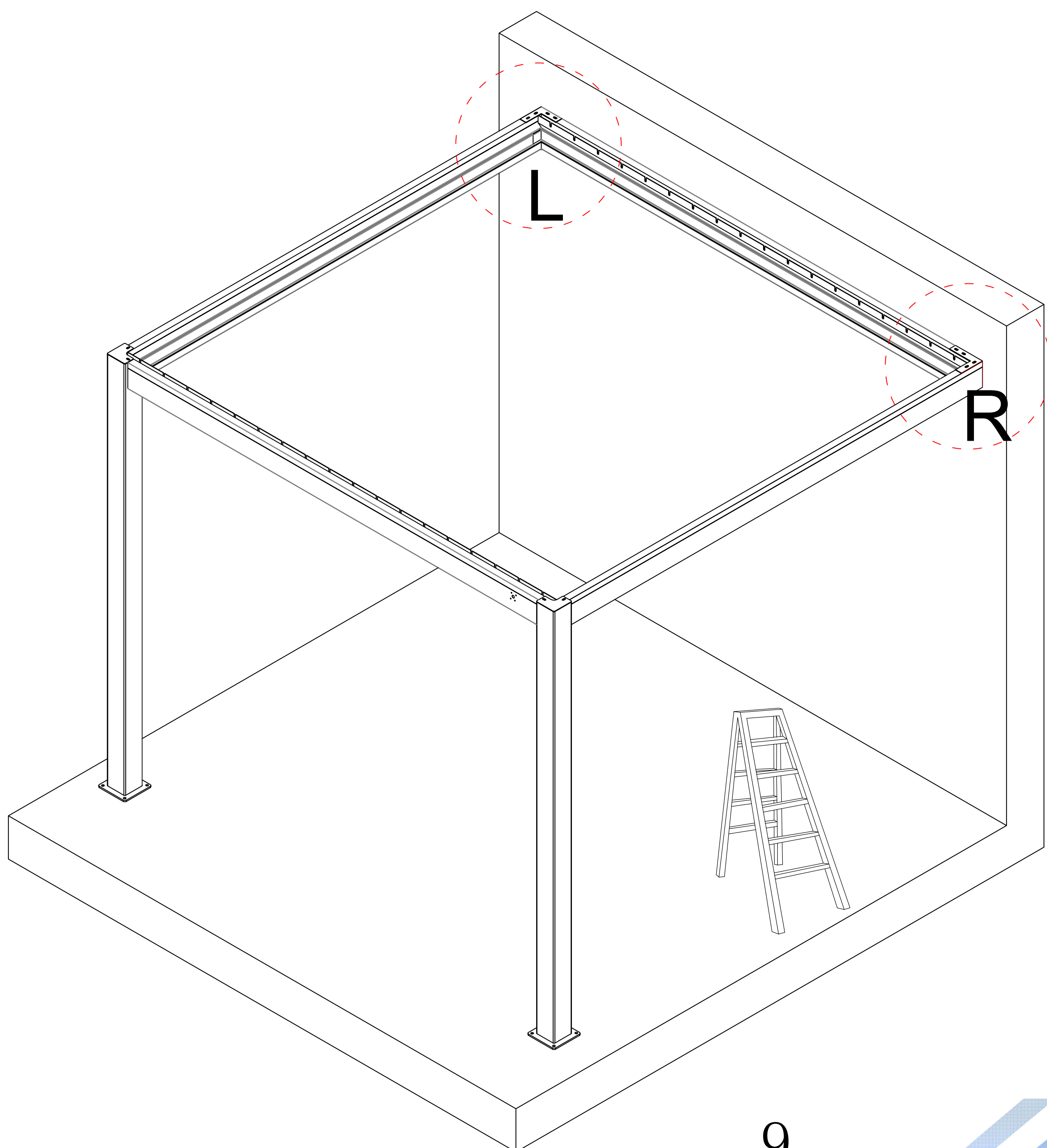
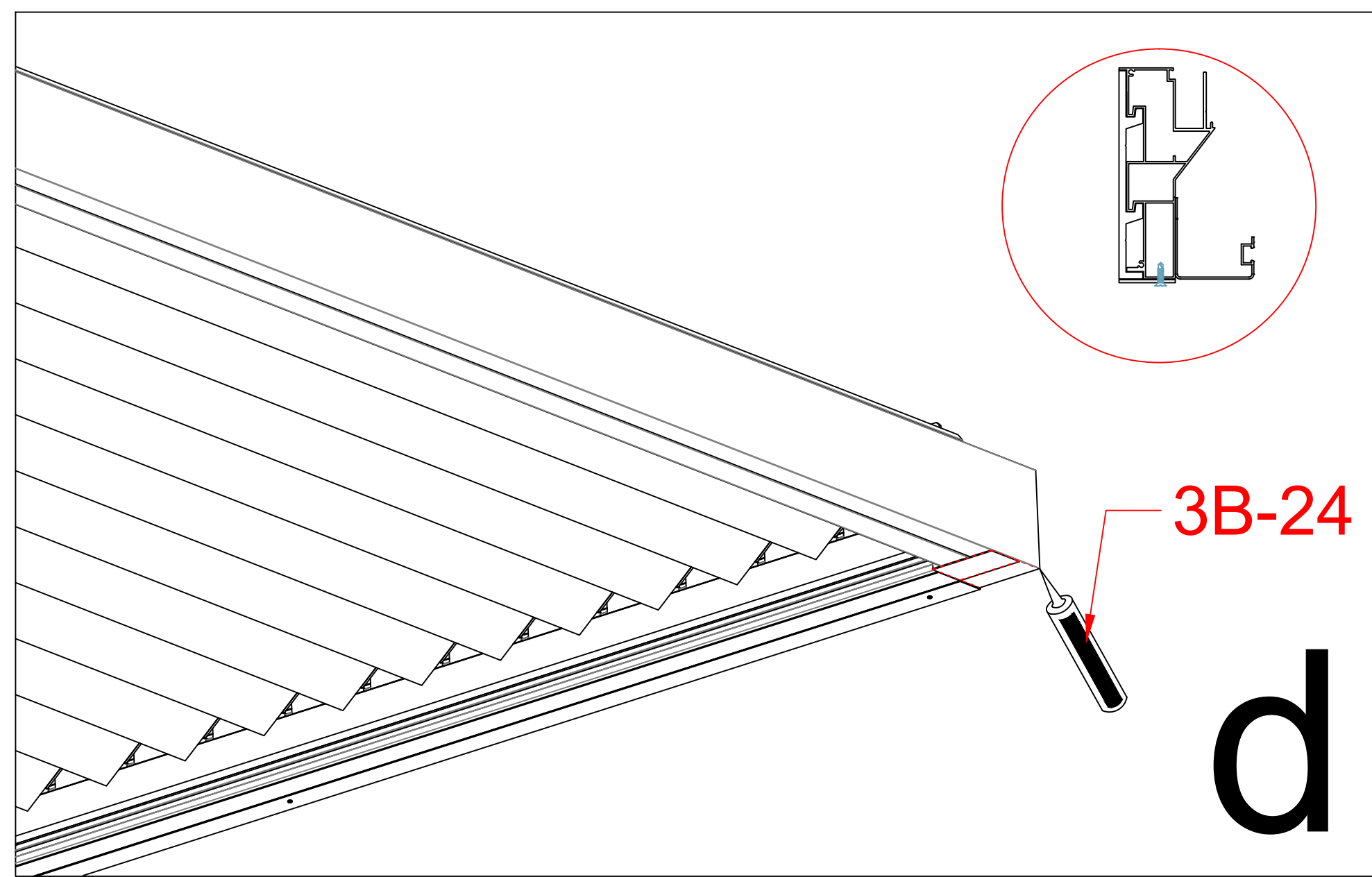
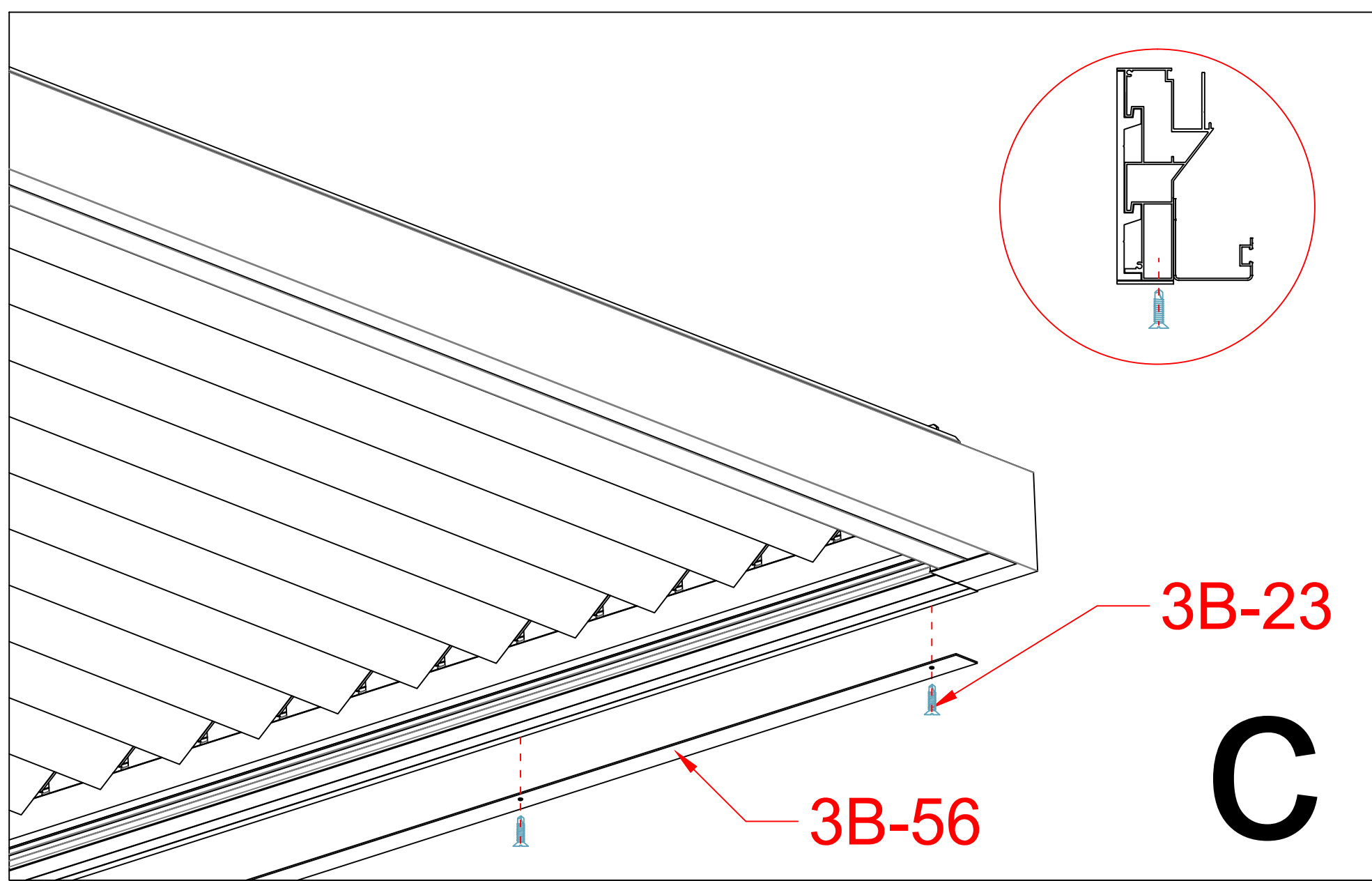
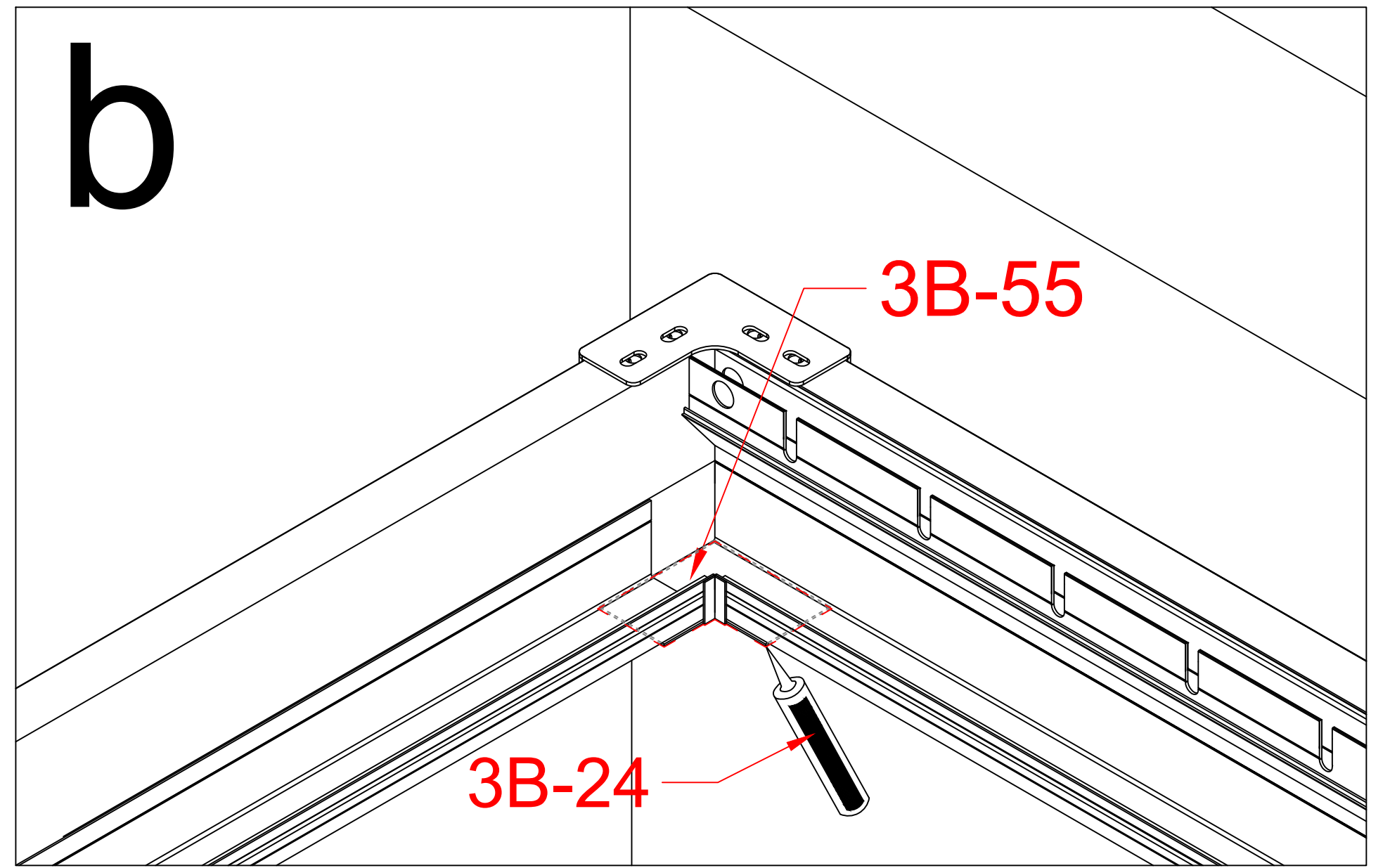
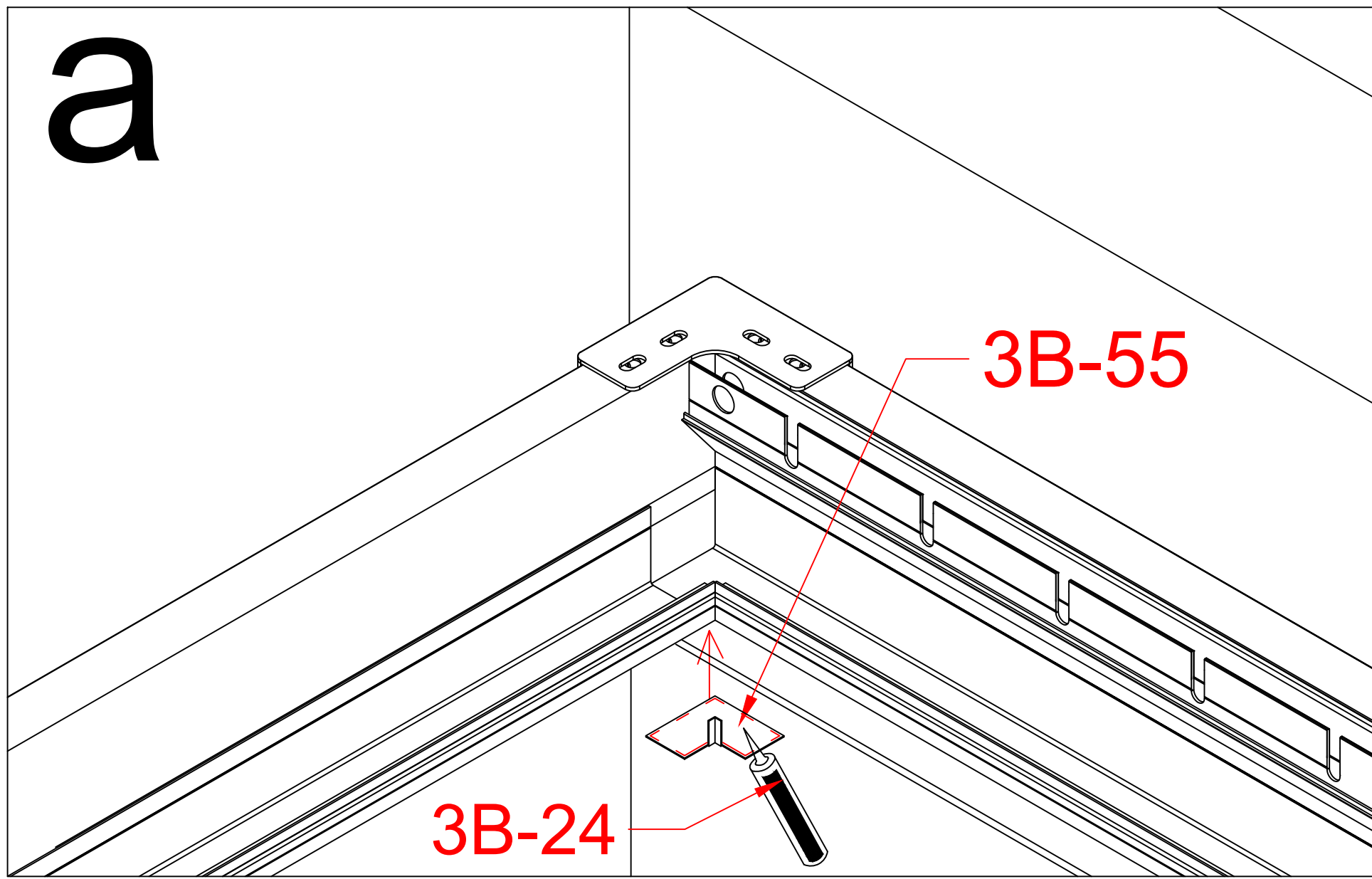
3B-21		8
-------	---	---



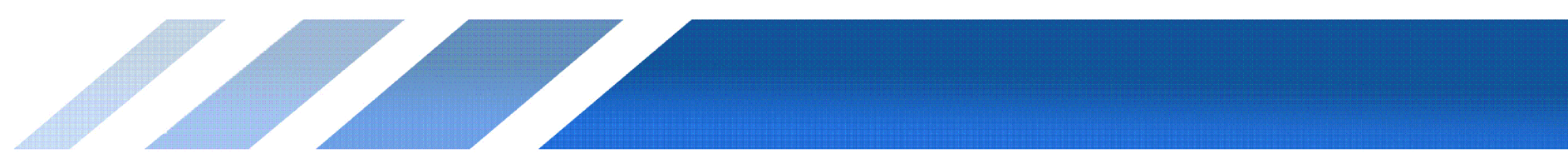


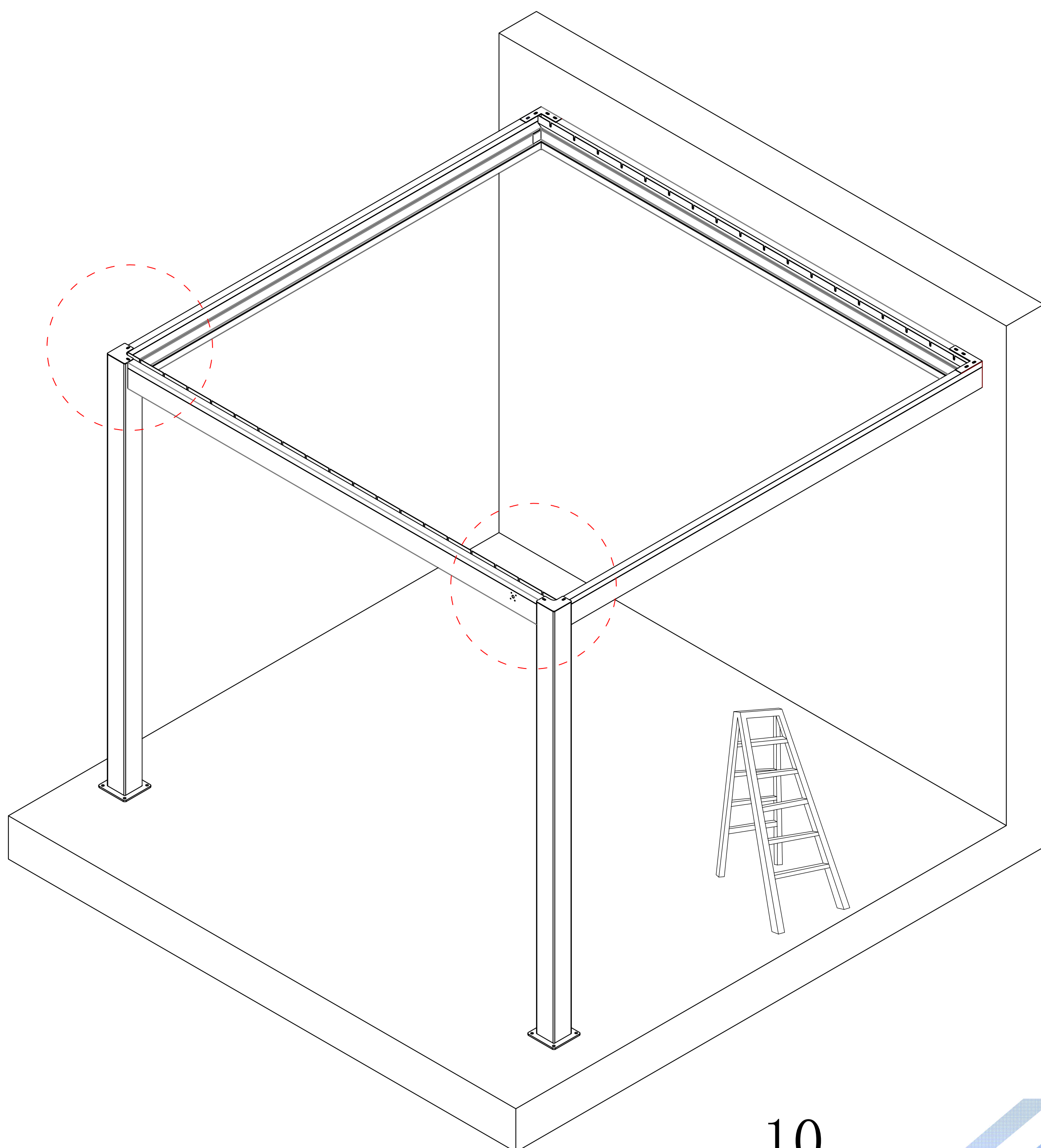
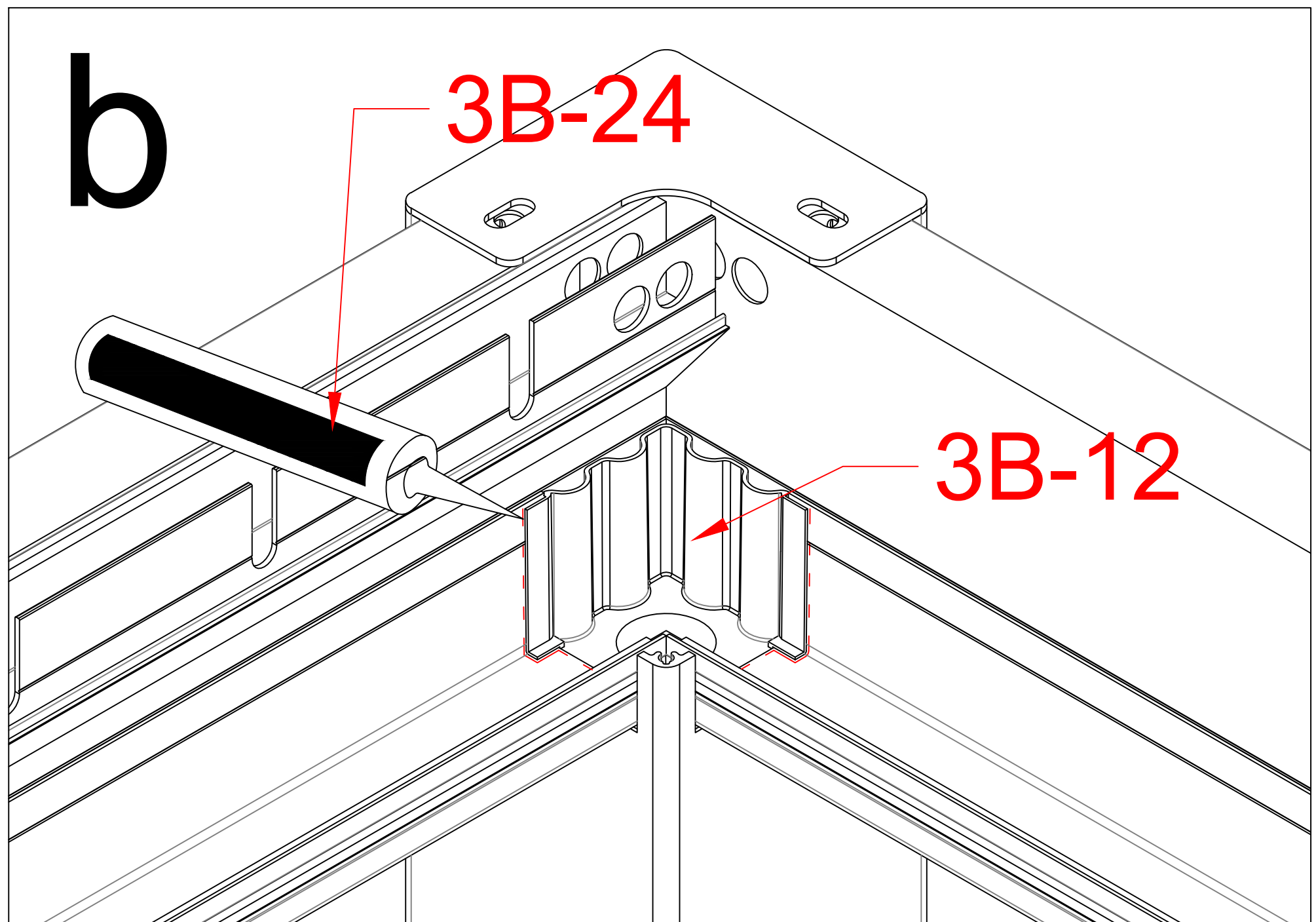
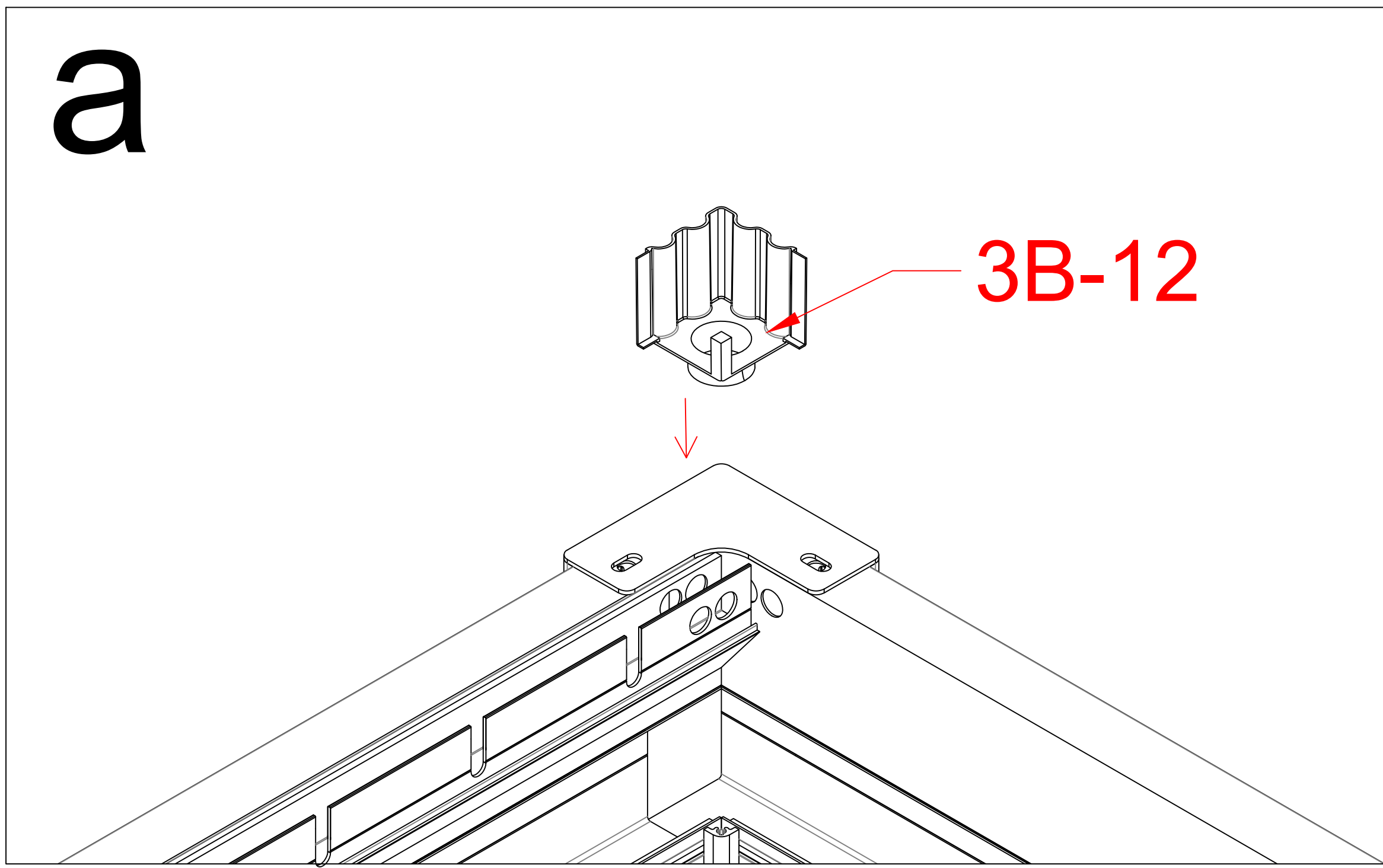
3B-35		2
3B-11		2
3B-19		12



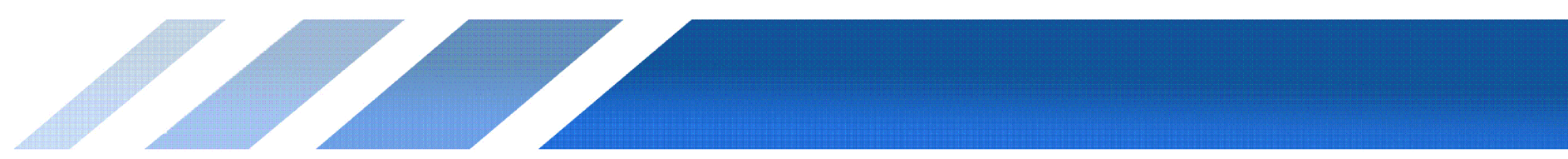


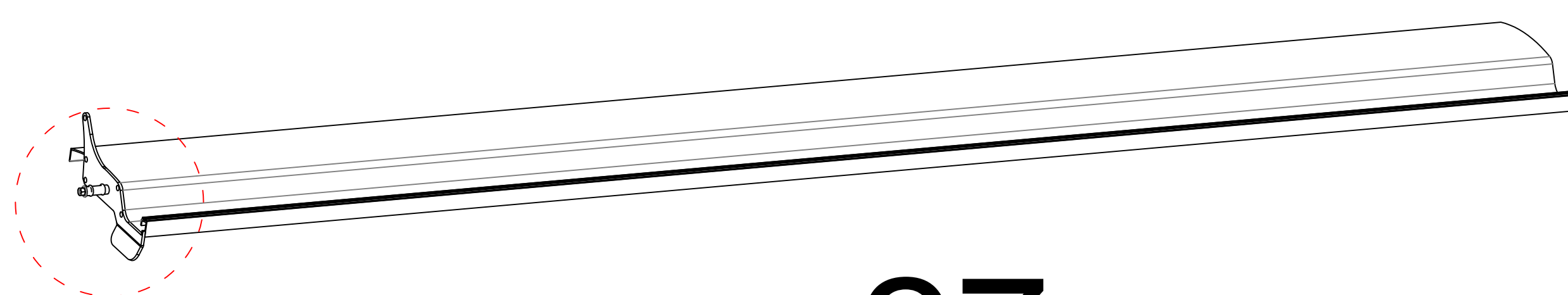
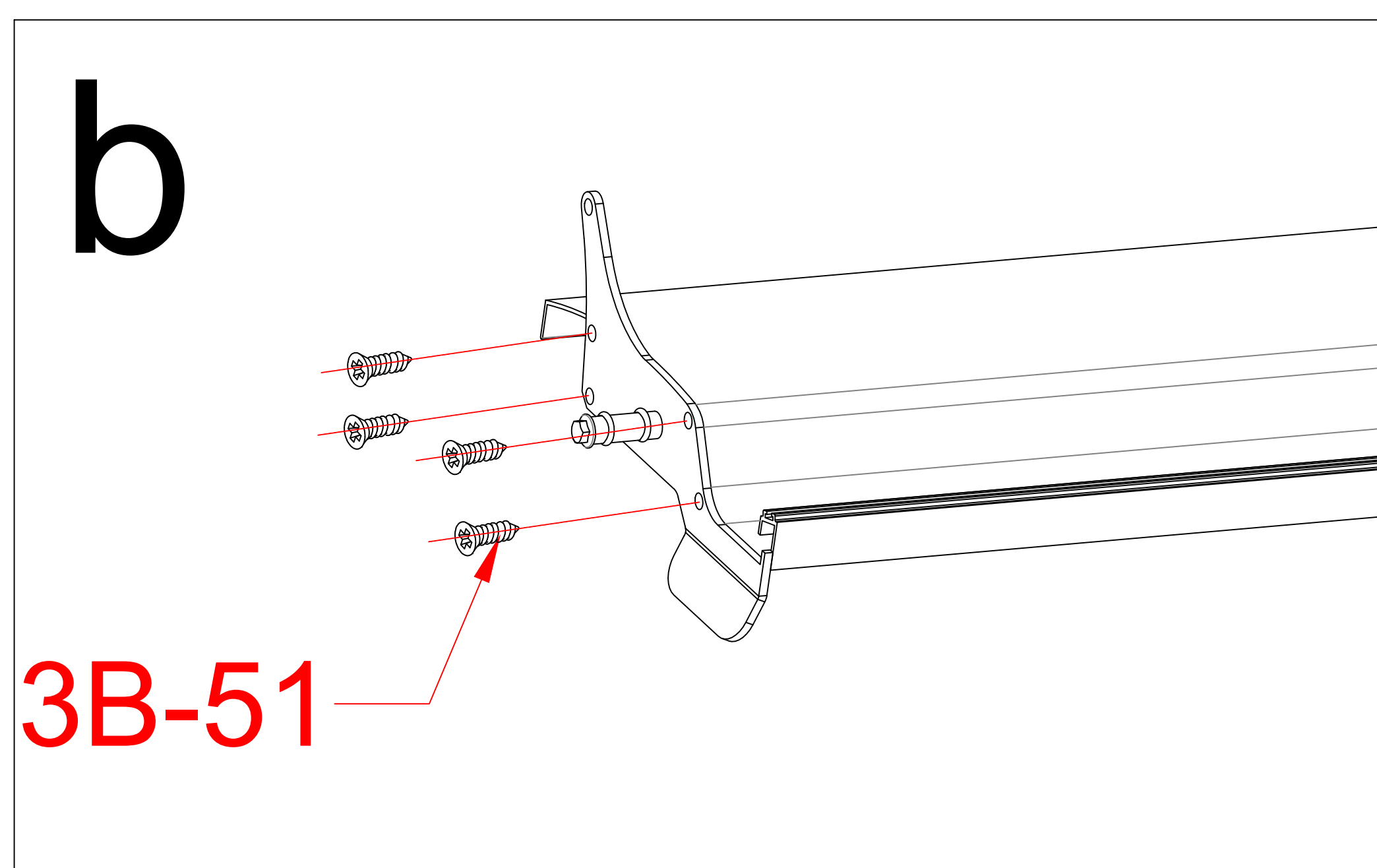
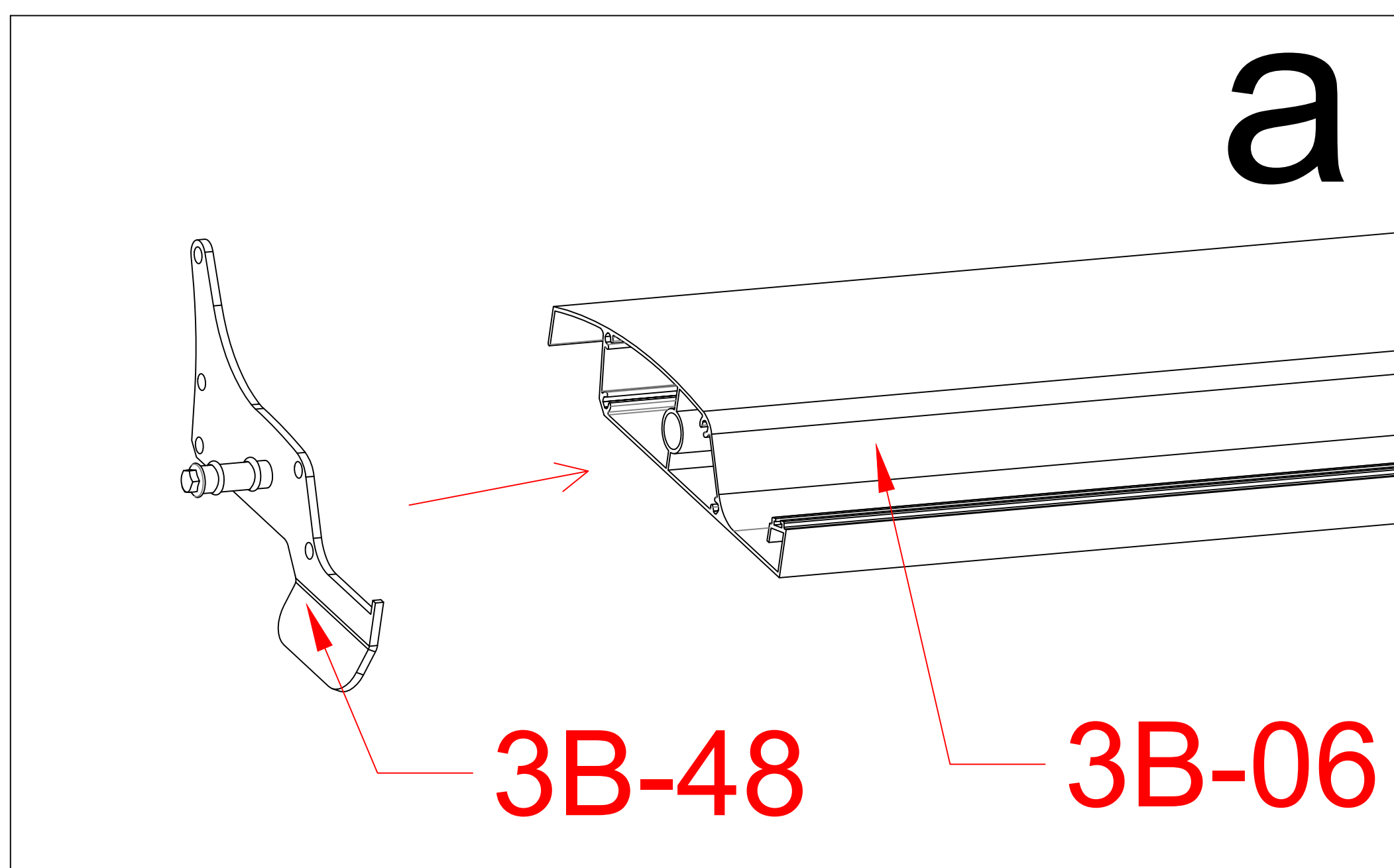
3B-55		2
3B-56		1
3B-23		5




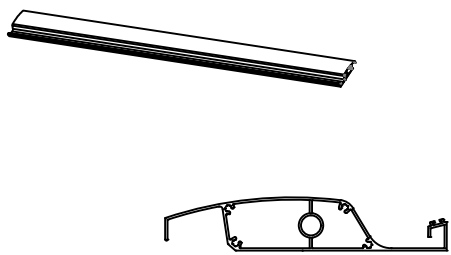
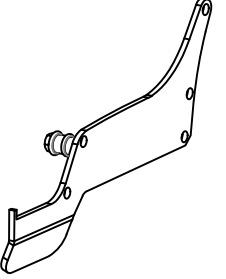


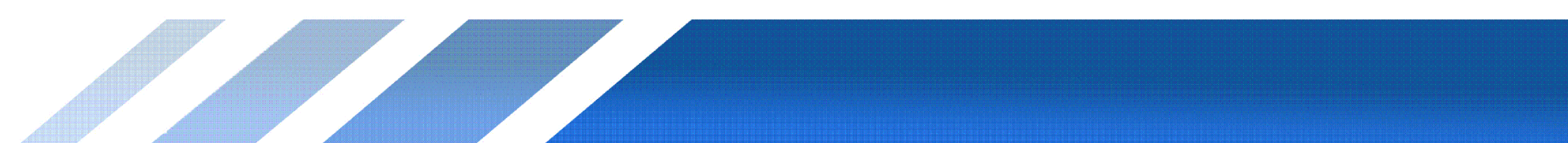
3B-24		1
3B-12		2

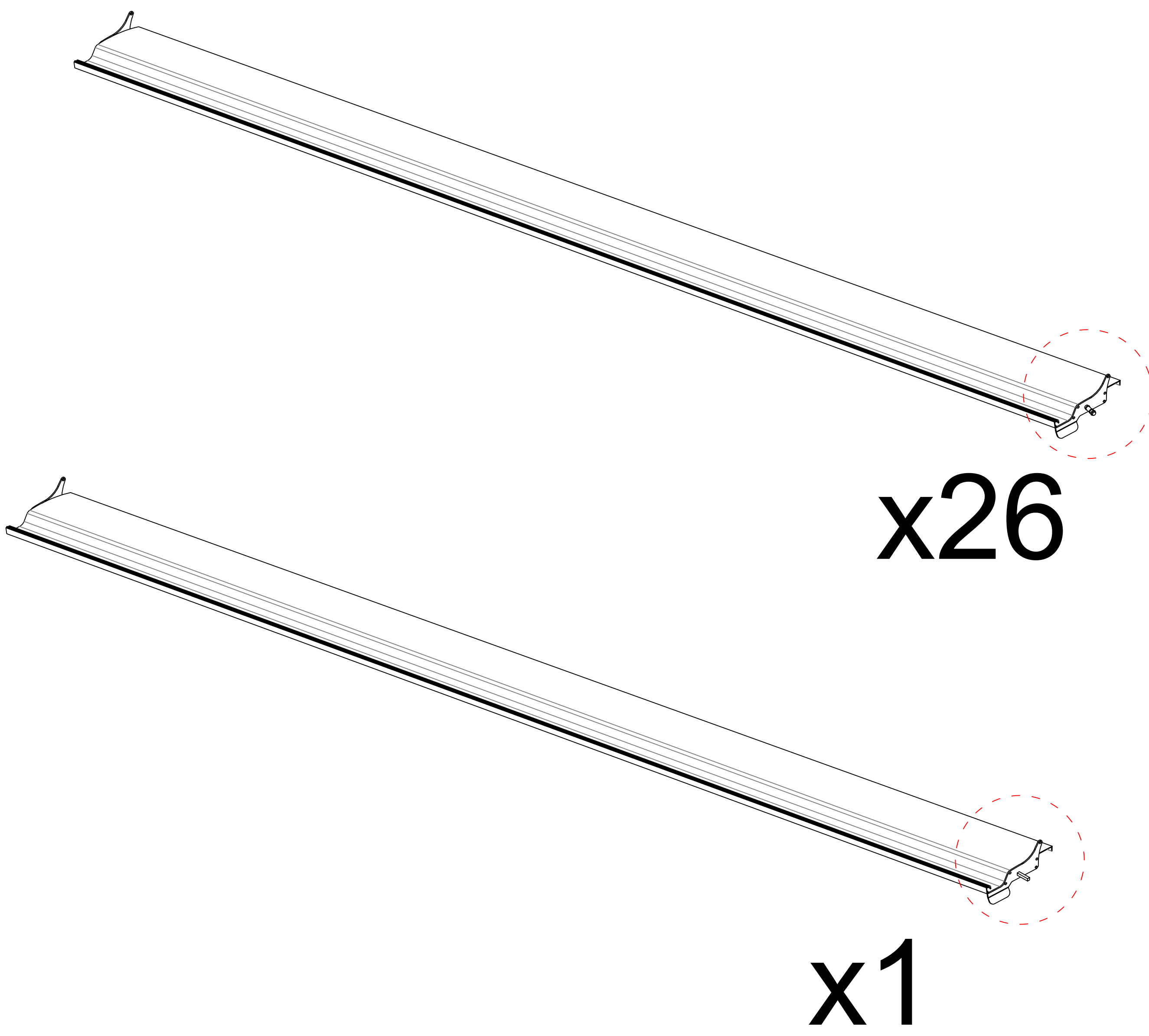
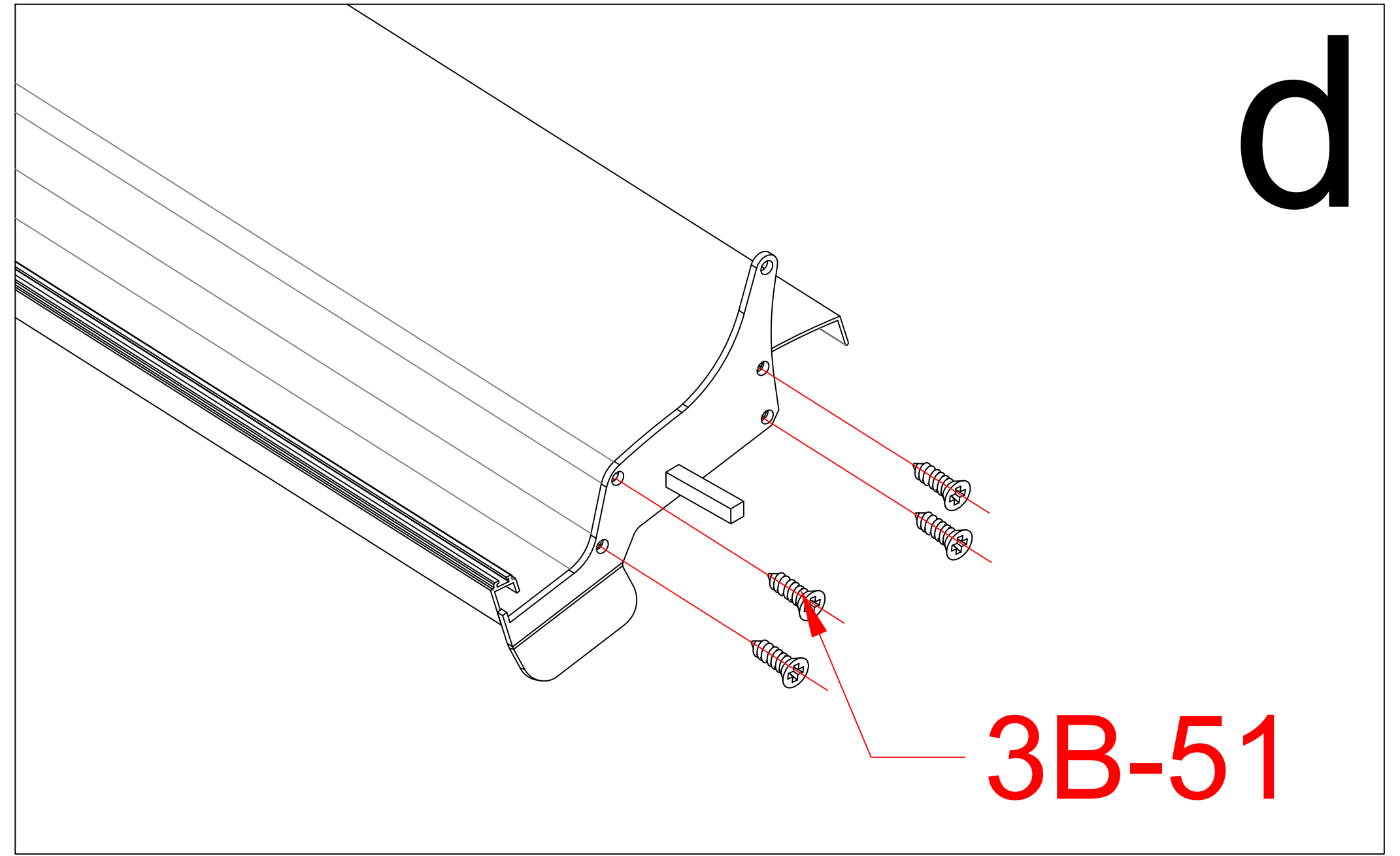
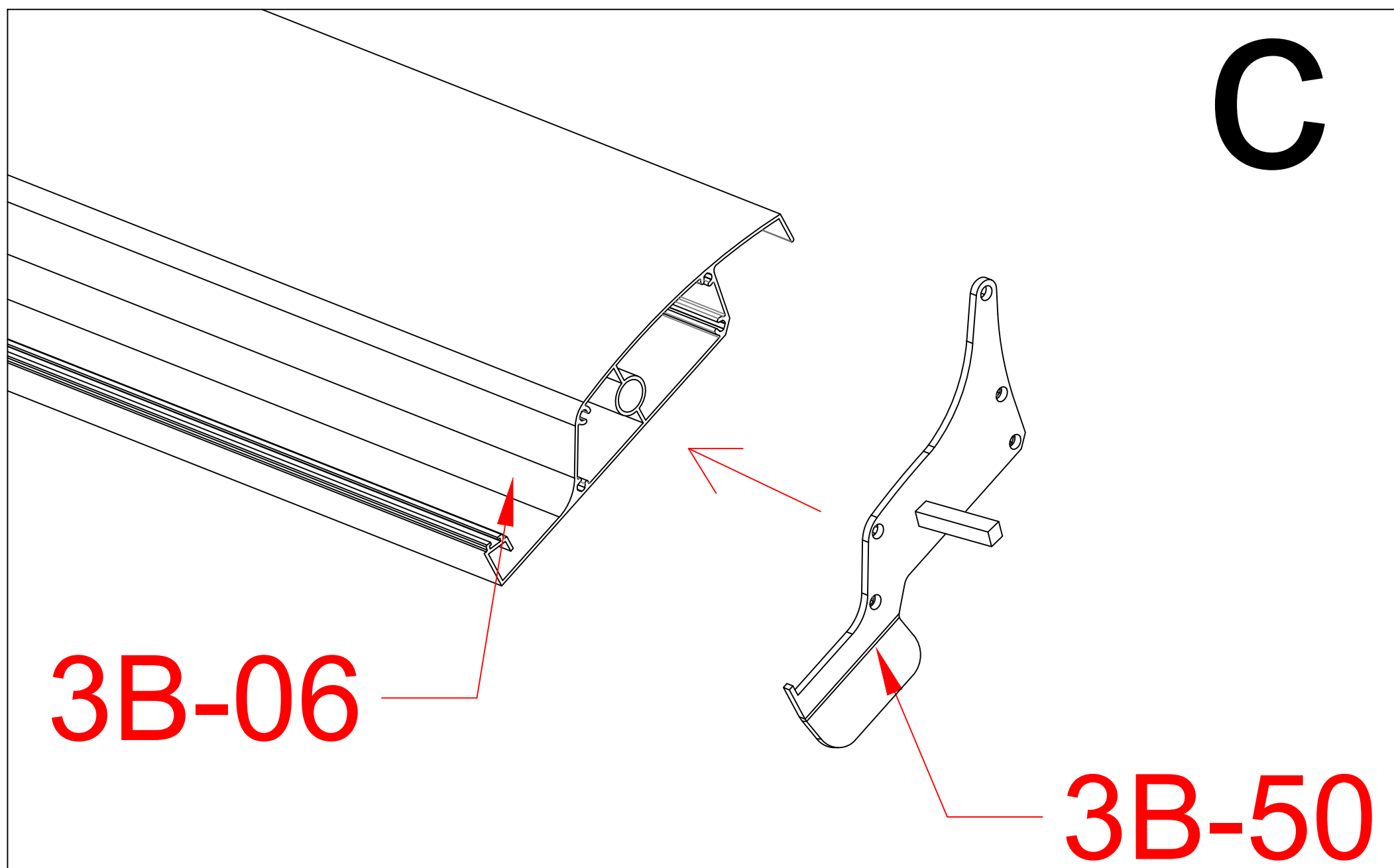
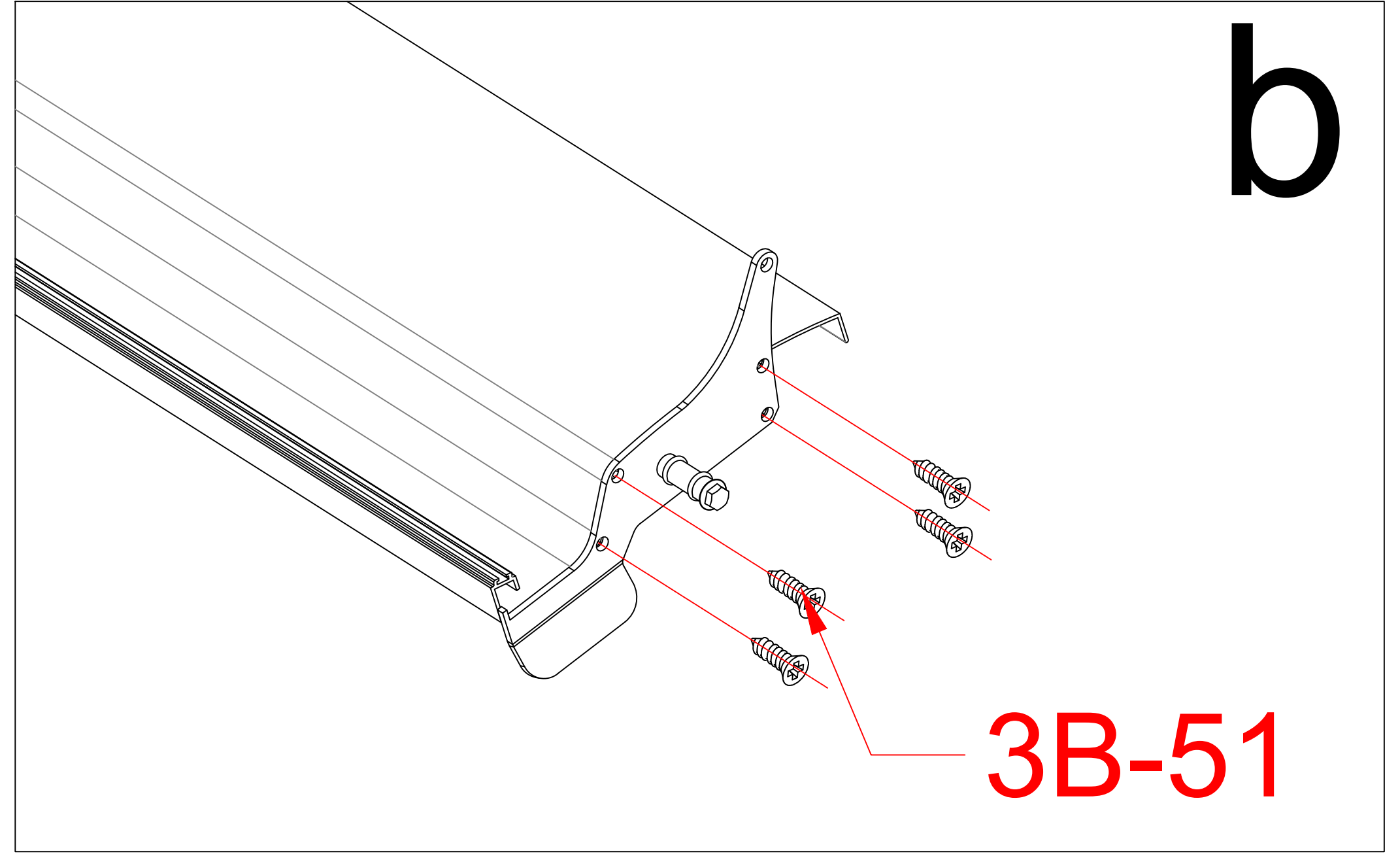
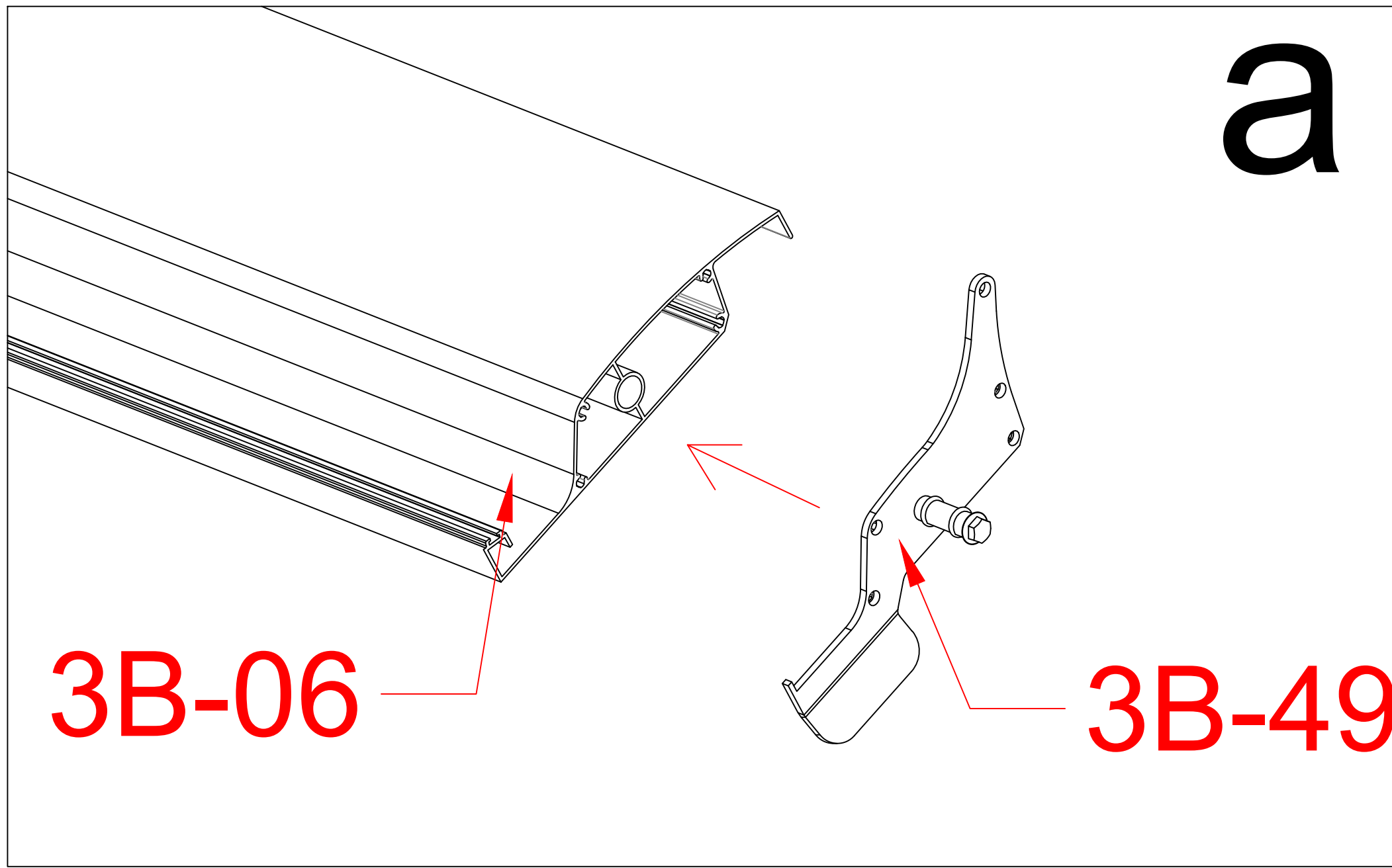




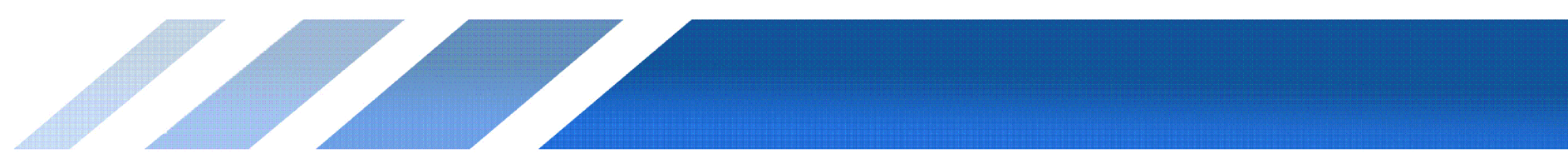
x27

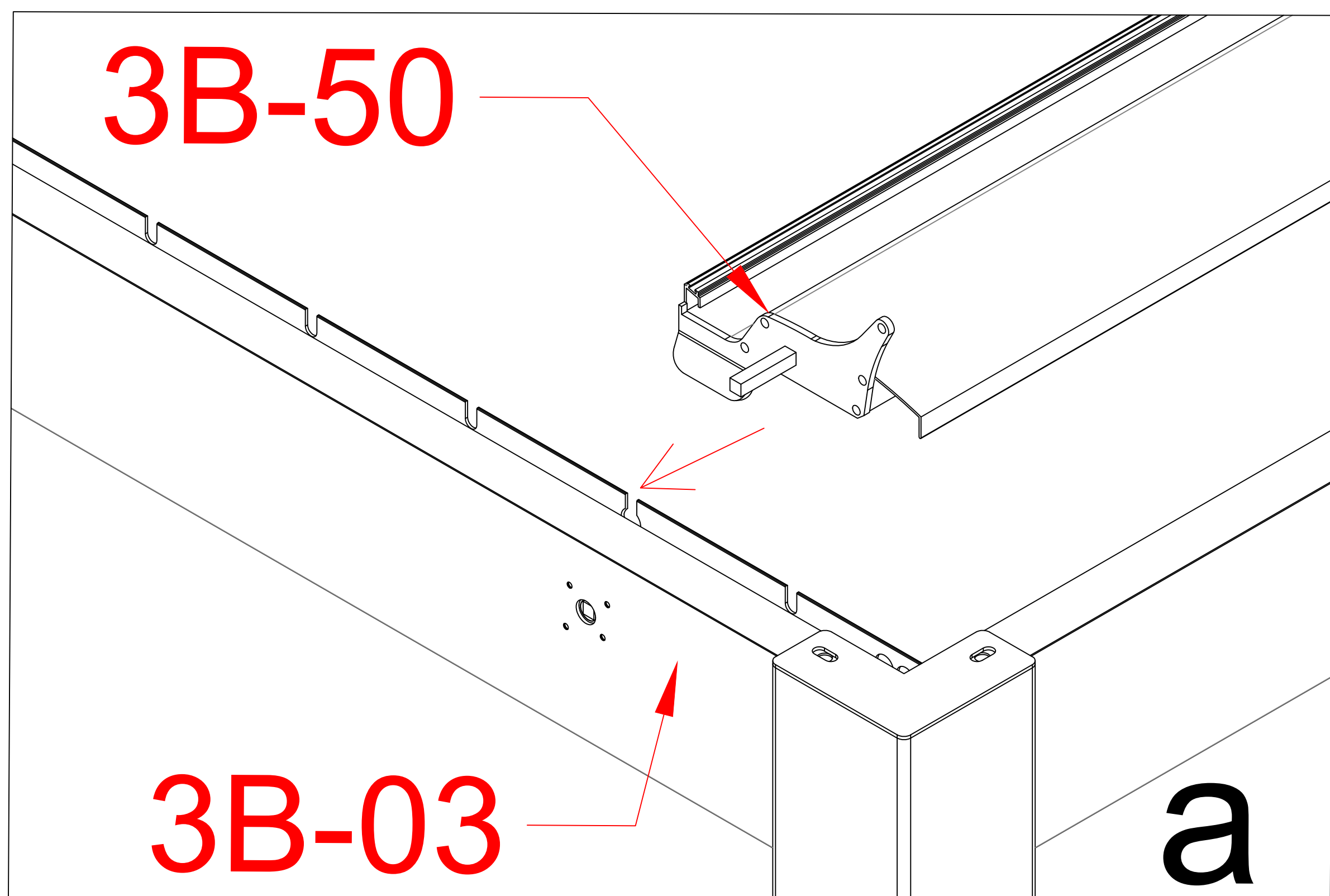
3B-51		108
3B-06		27
3B-48		27



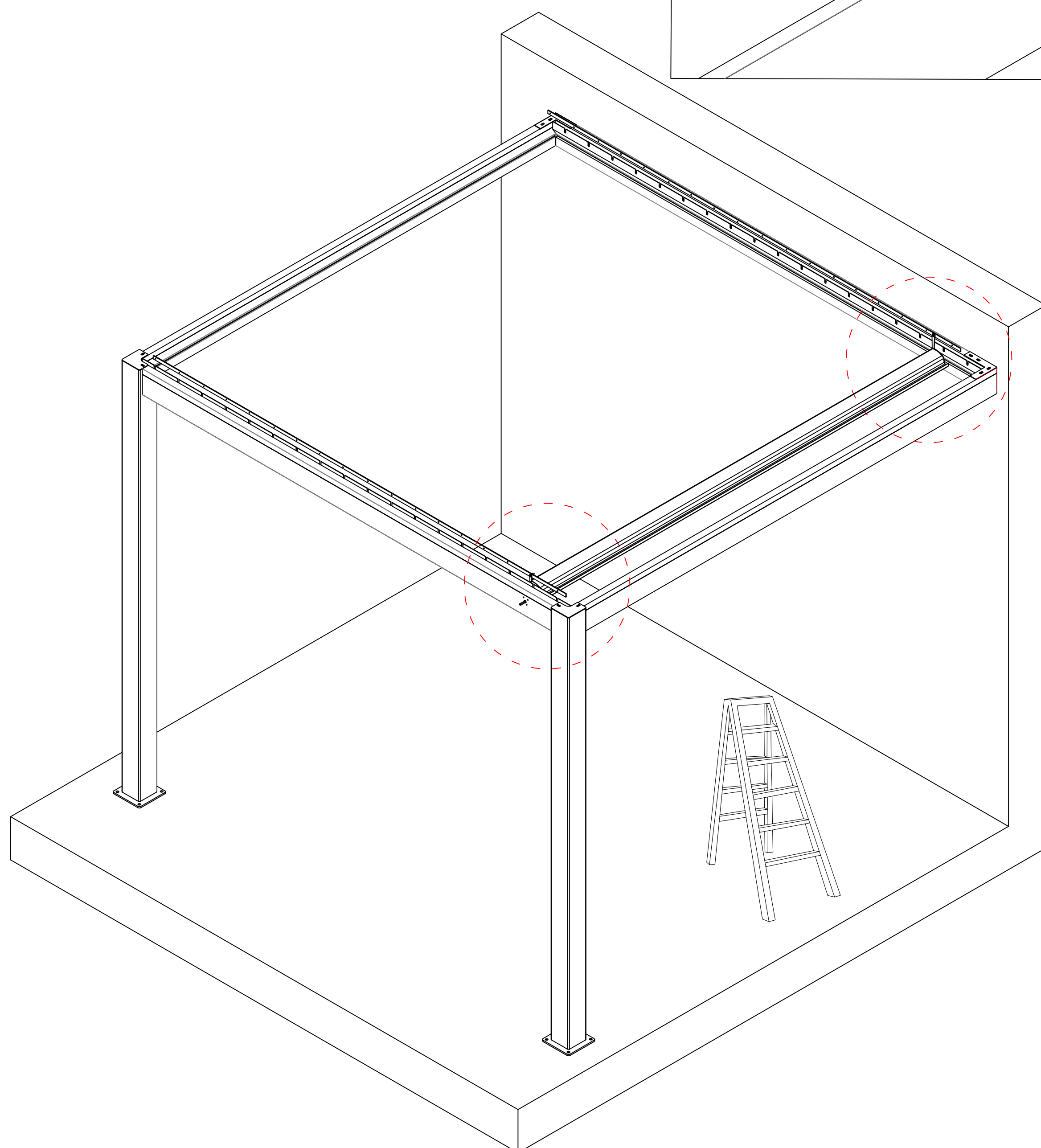
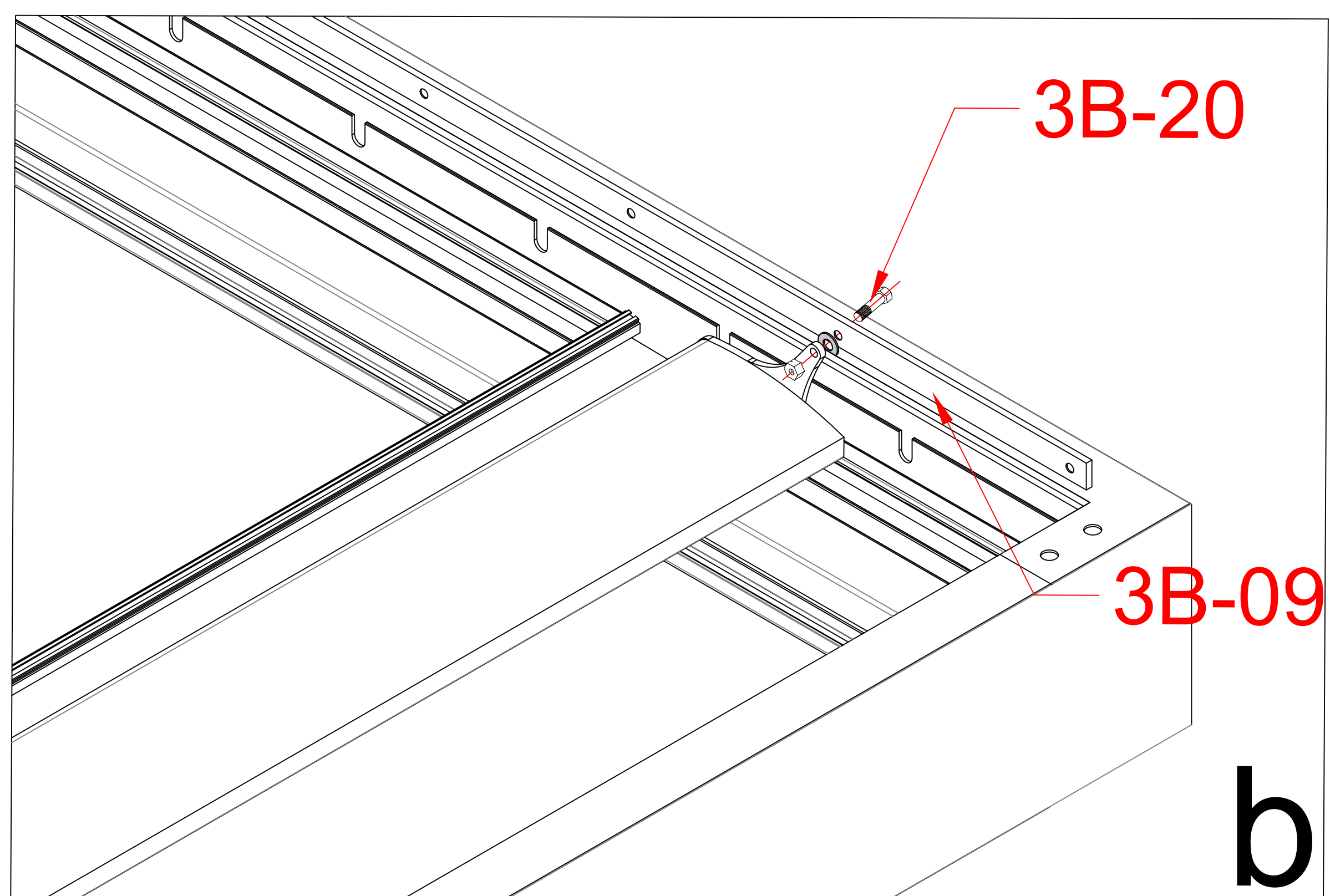


3B-49		26
3B-50		1
3B-51		108



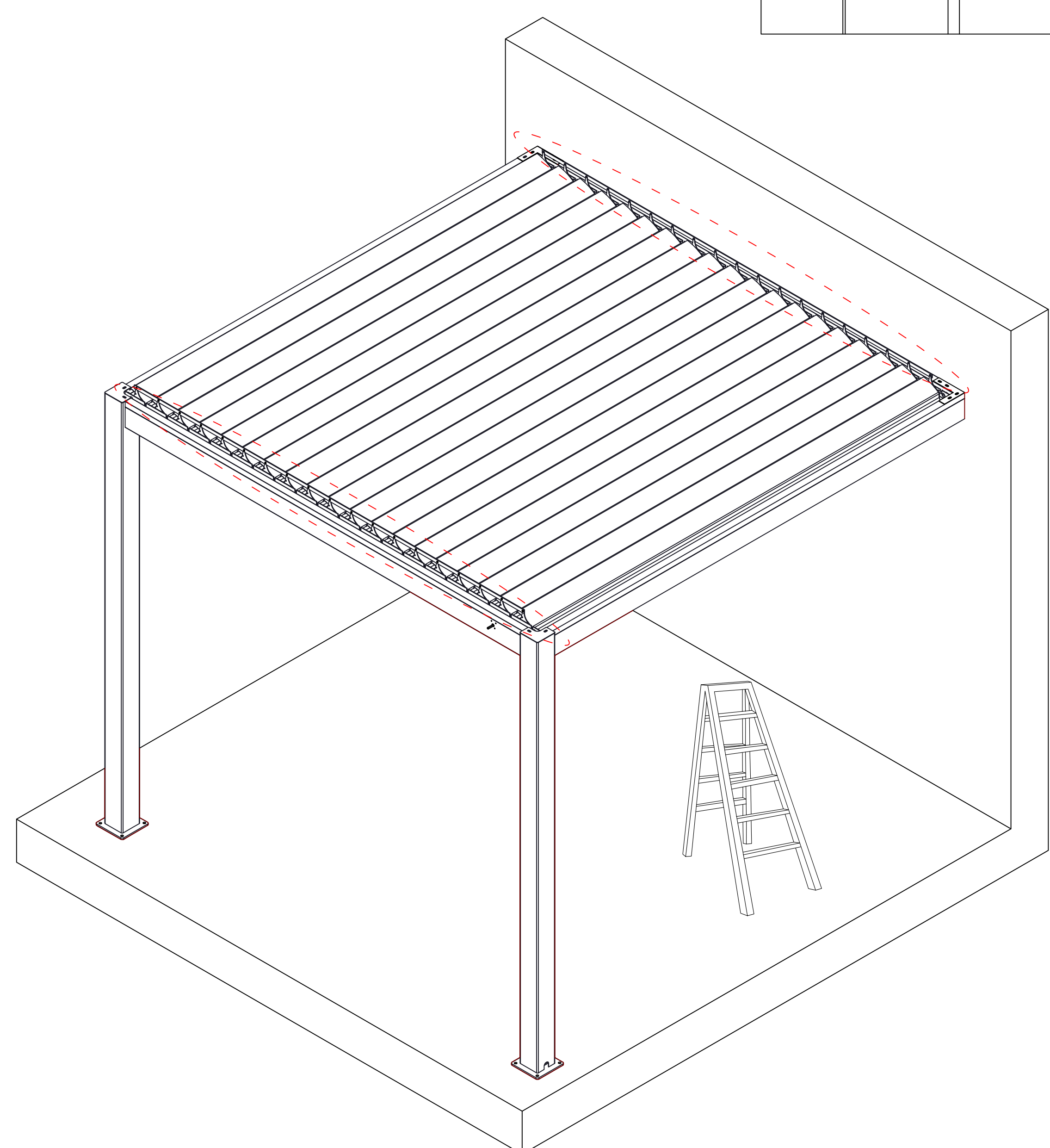
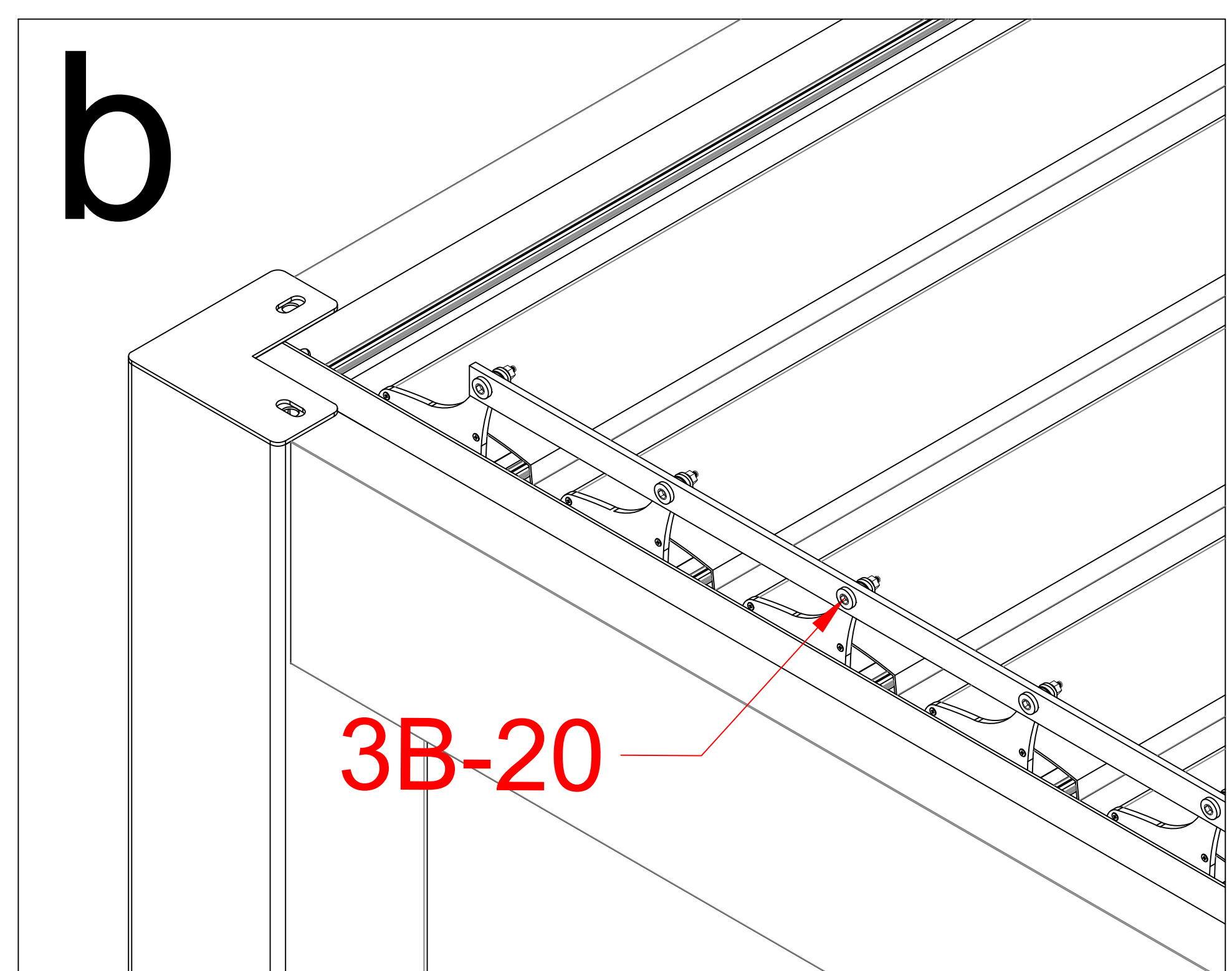
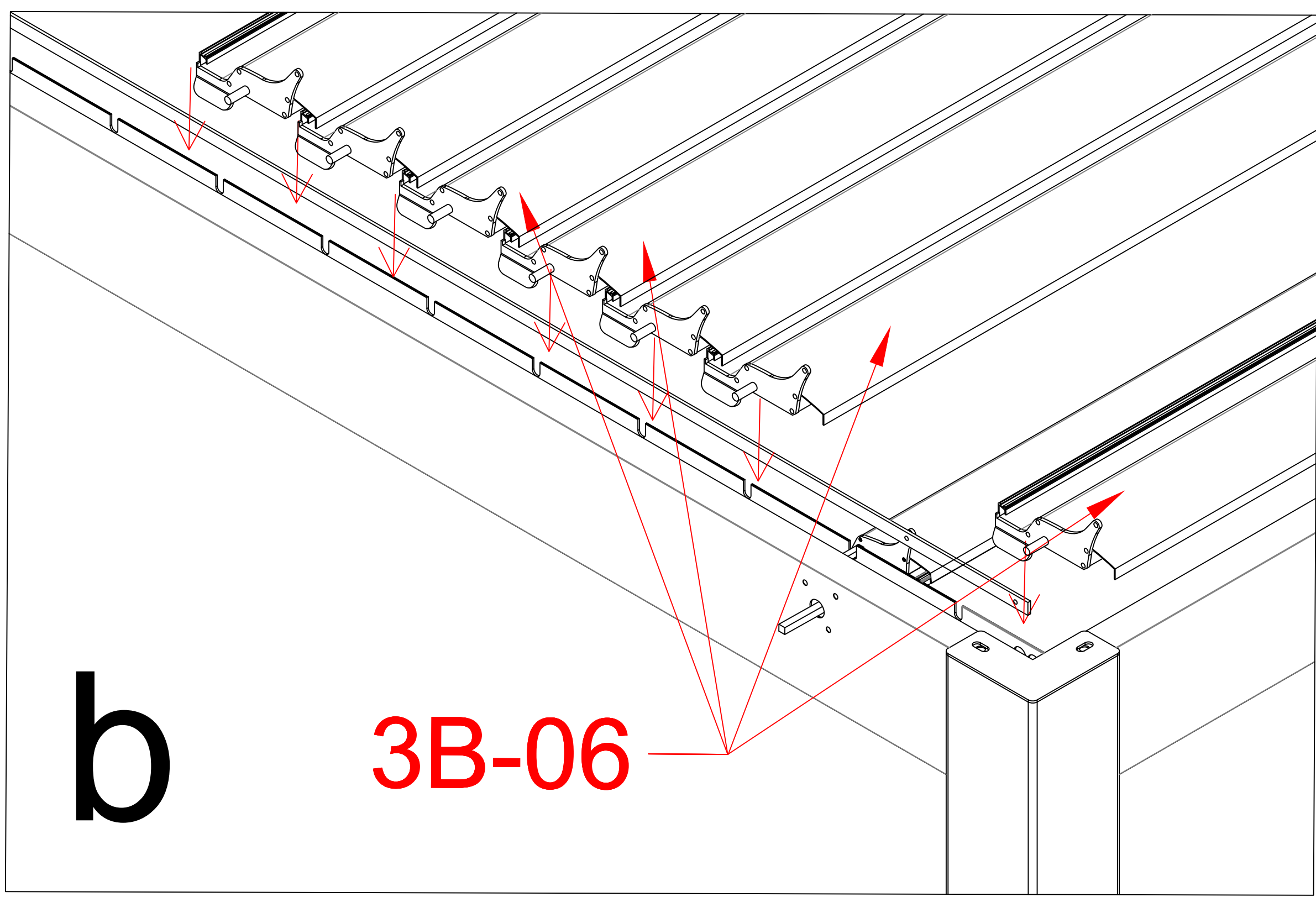


warning:
Bolts must be tightened,
but not overtight as
louvres have to move.

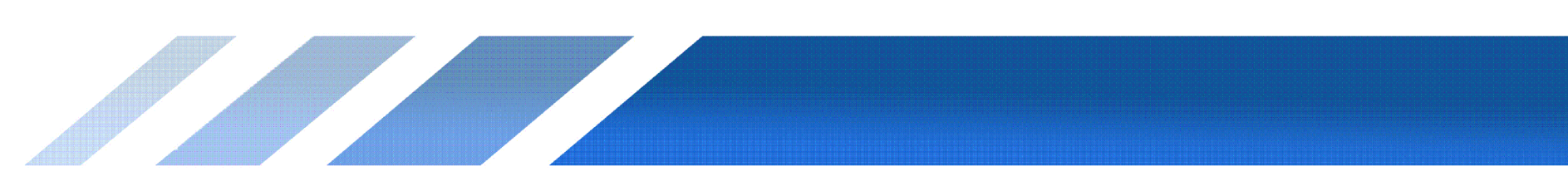


3B-09		2
3B-20		2
3B-06 /50		1



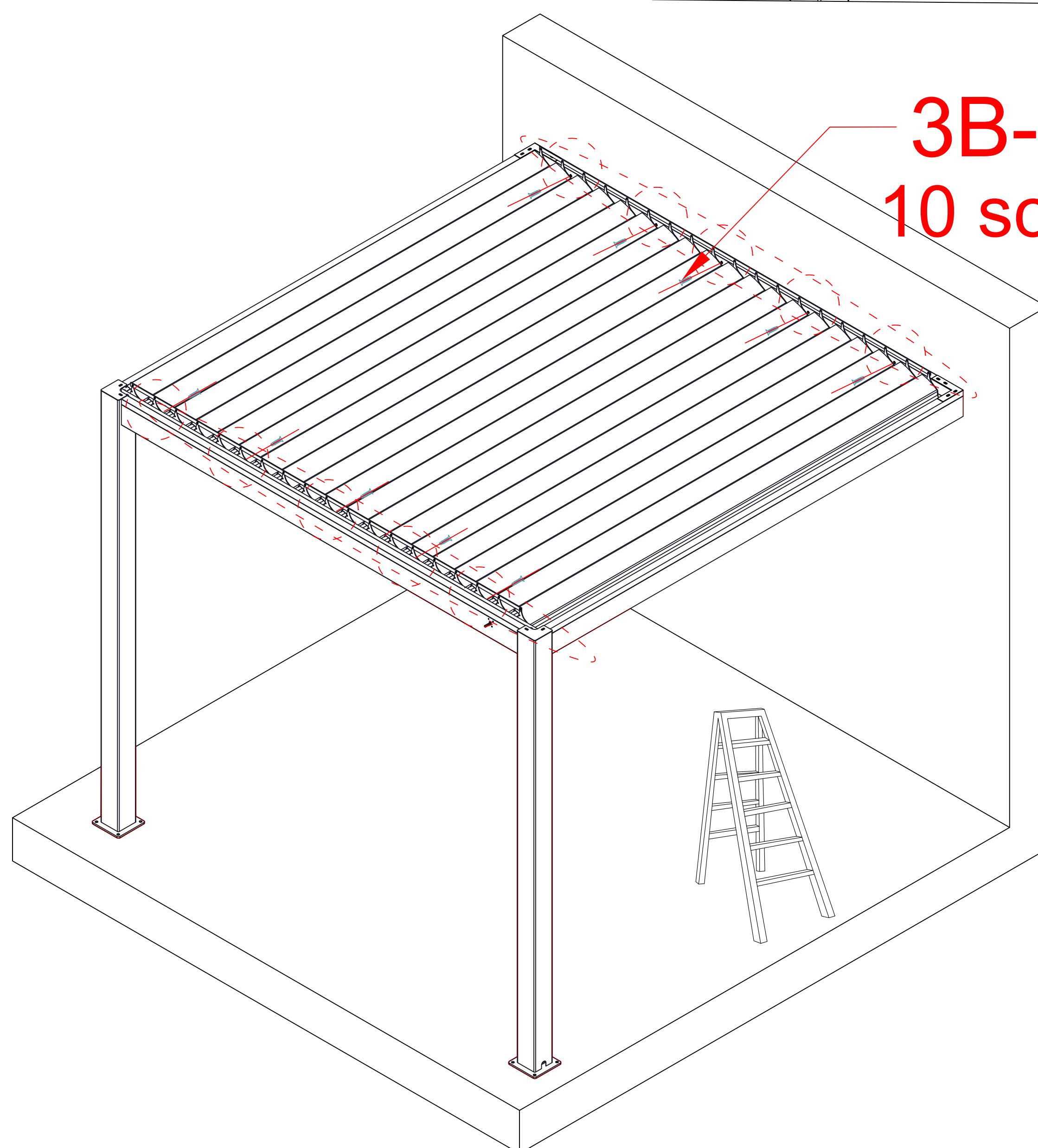
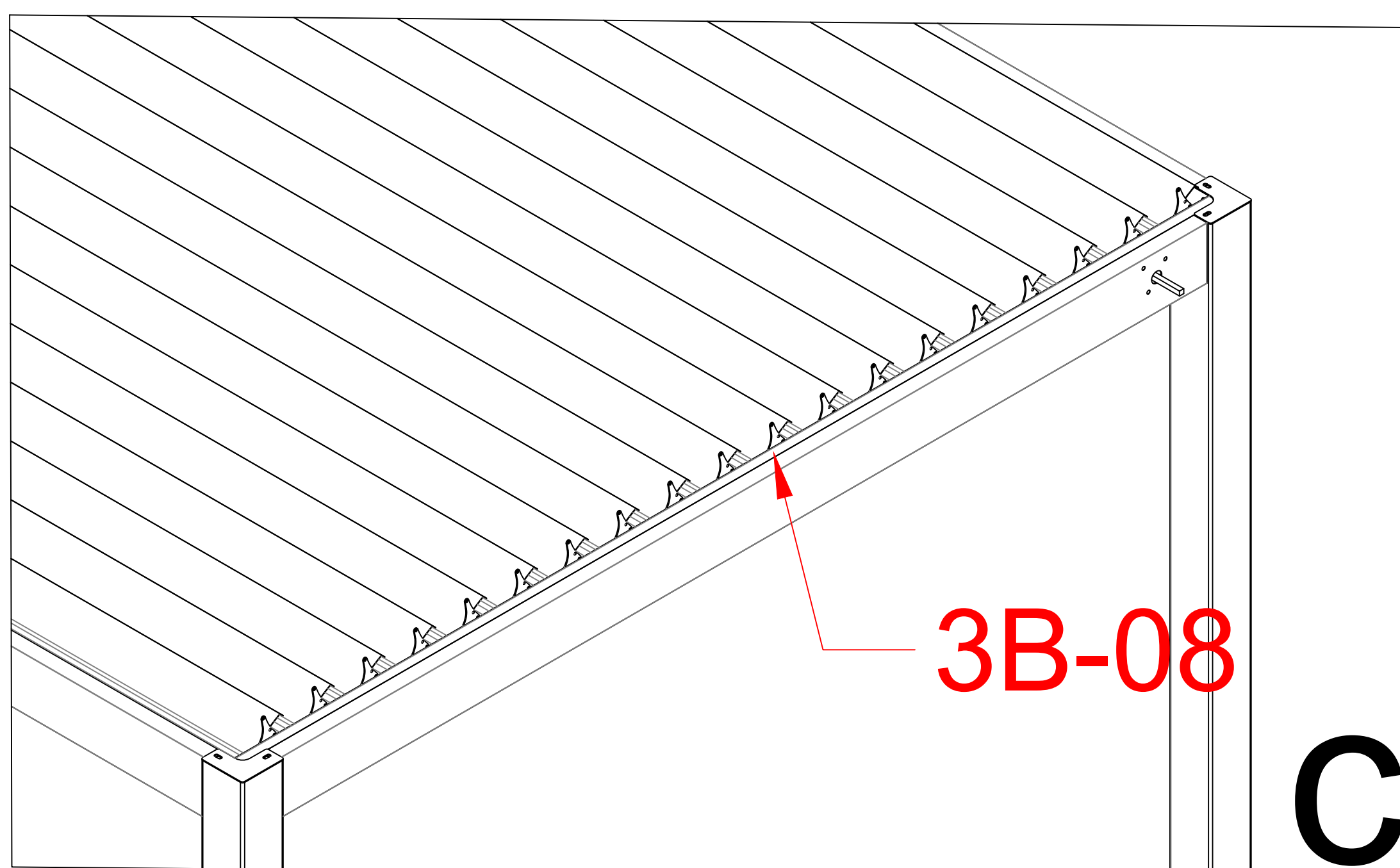
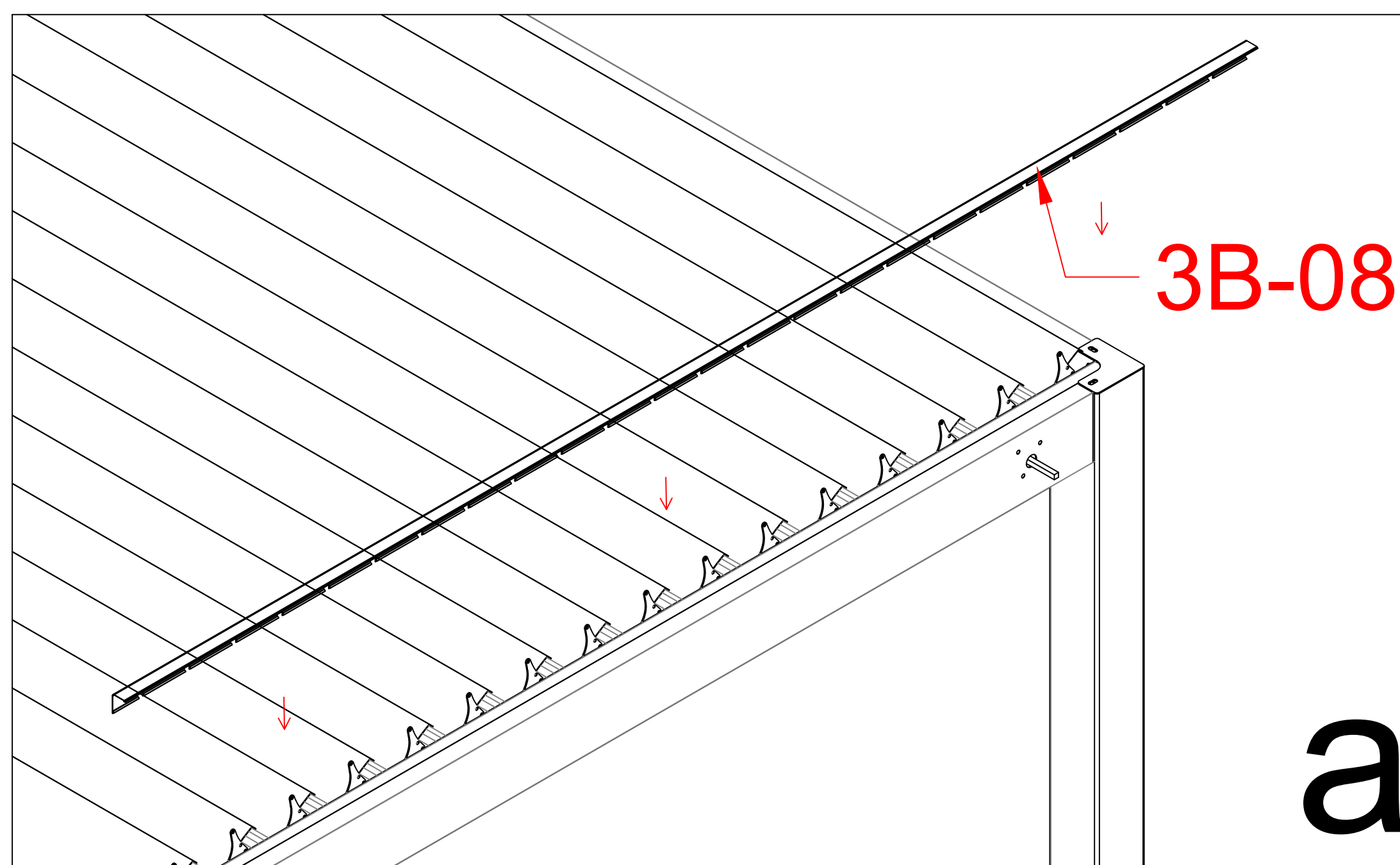
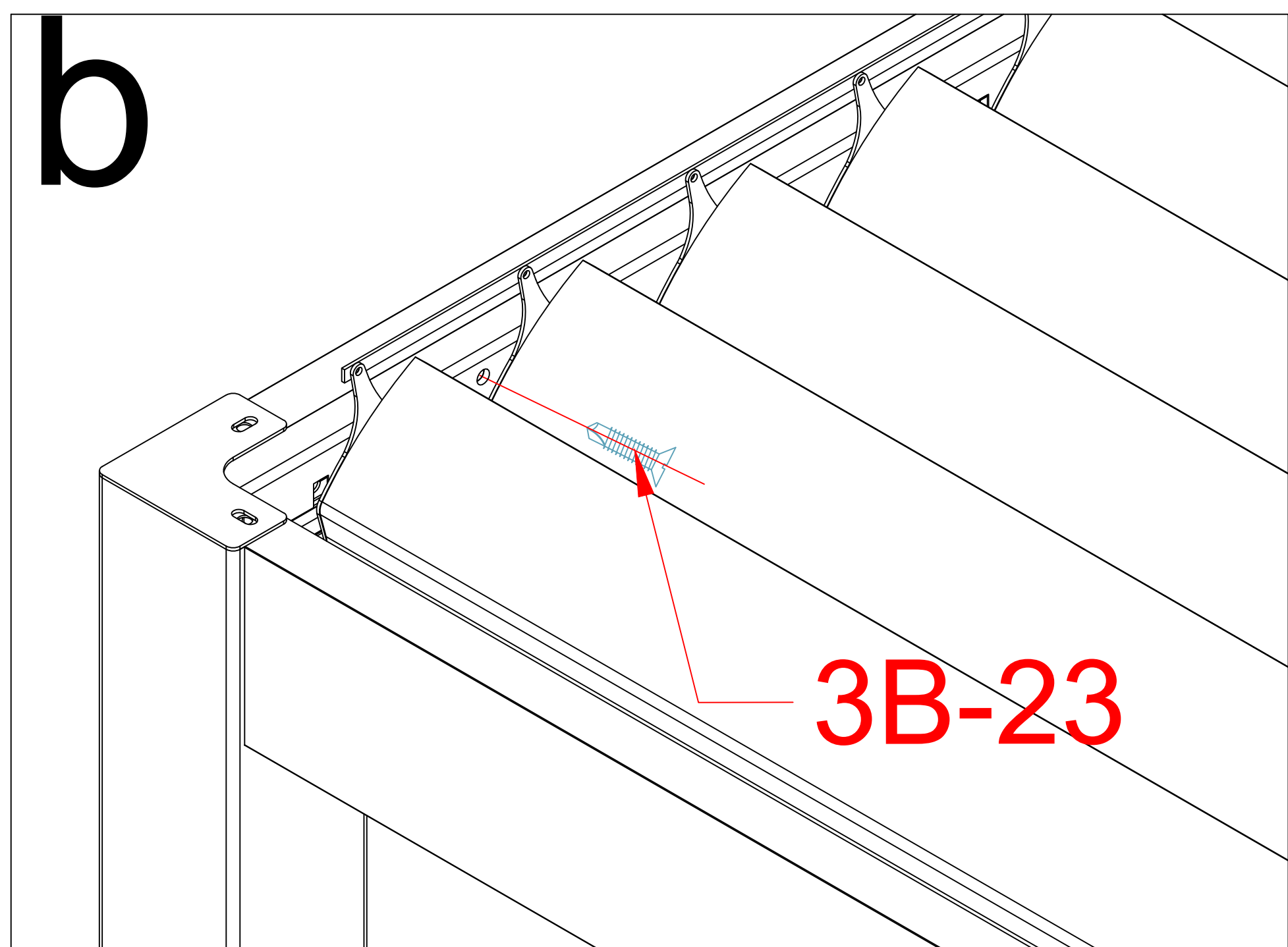


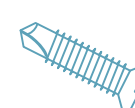
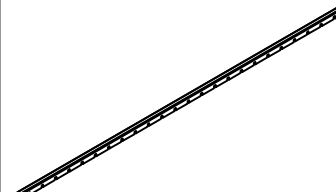
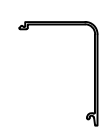
3B-20		52
3B-06		26



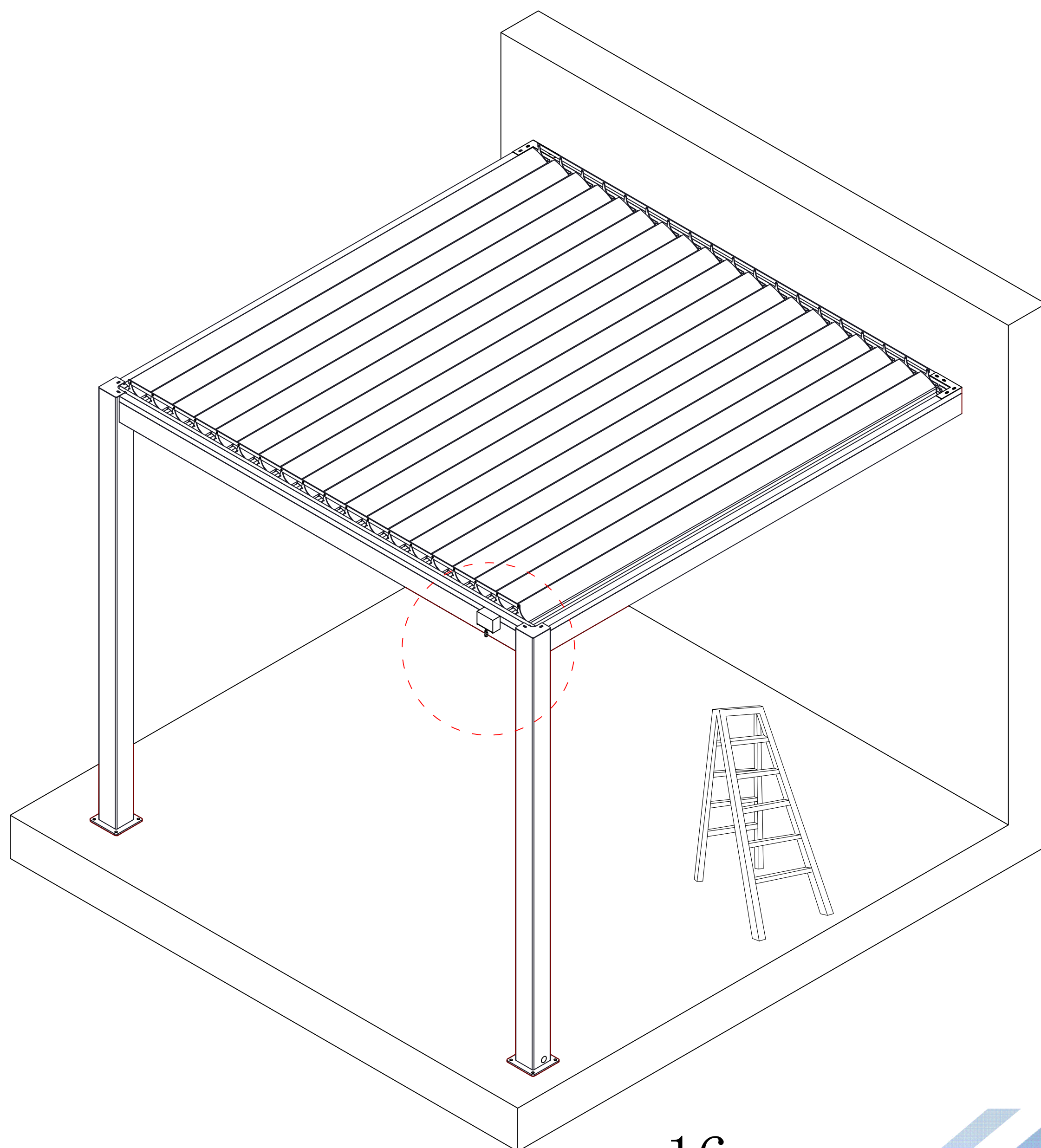
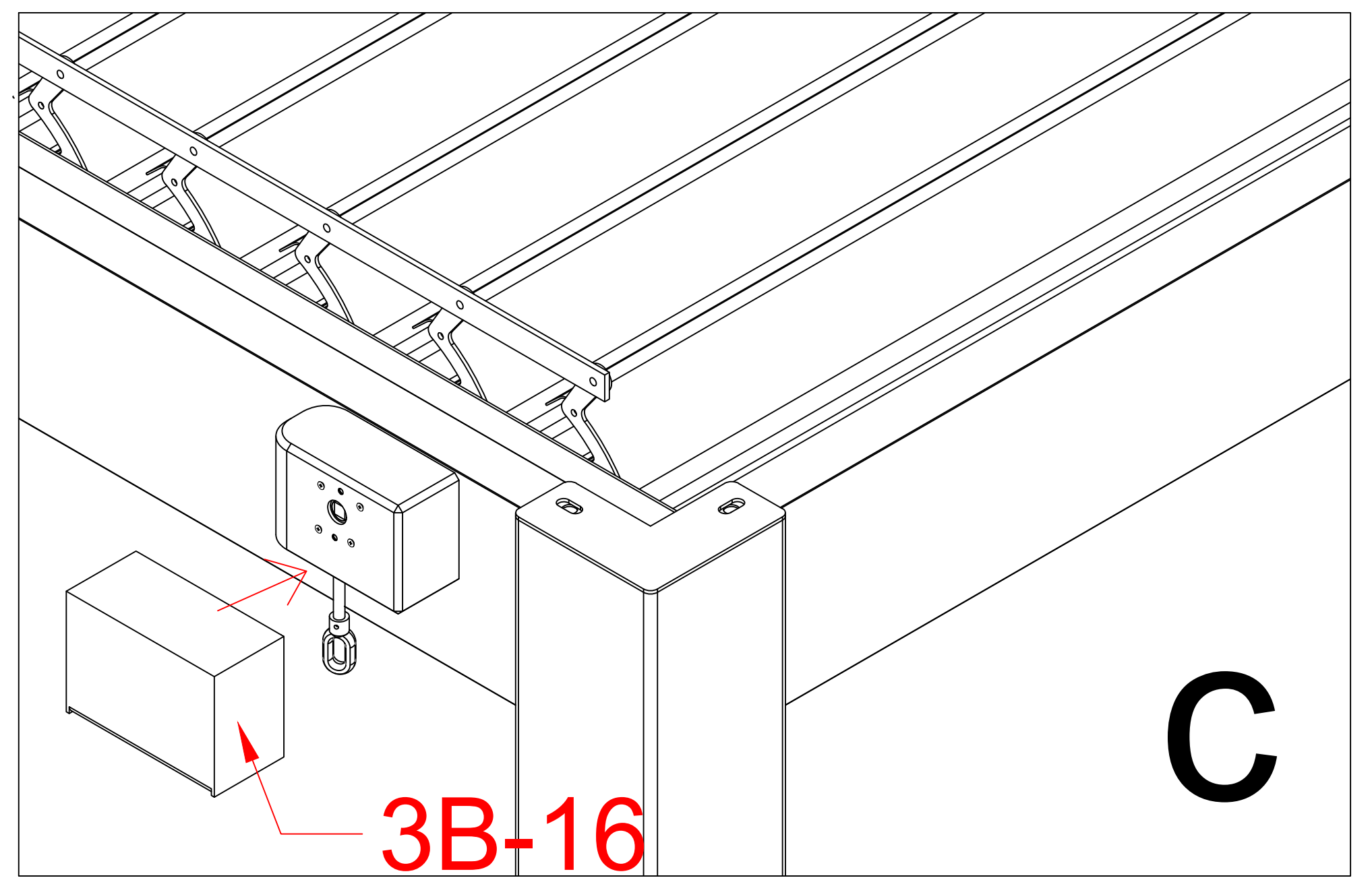
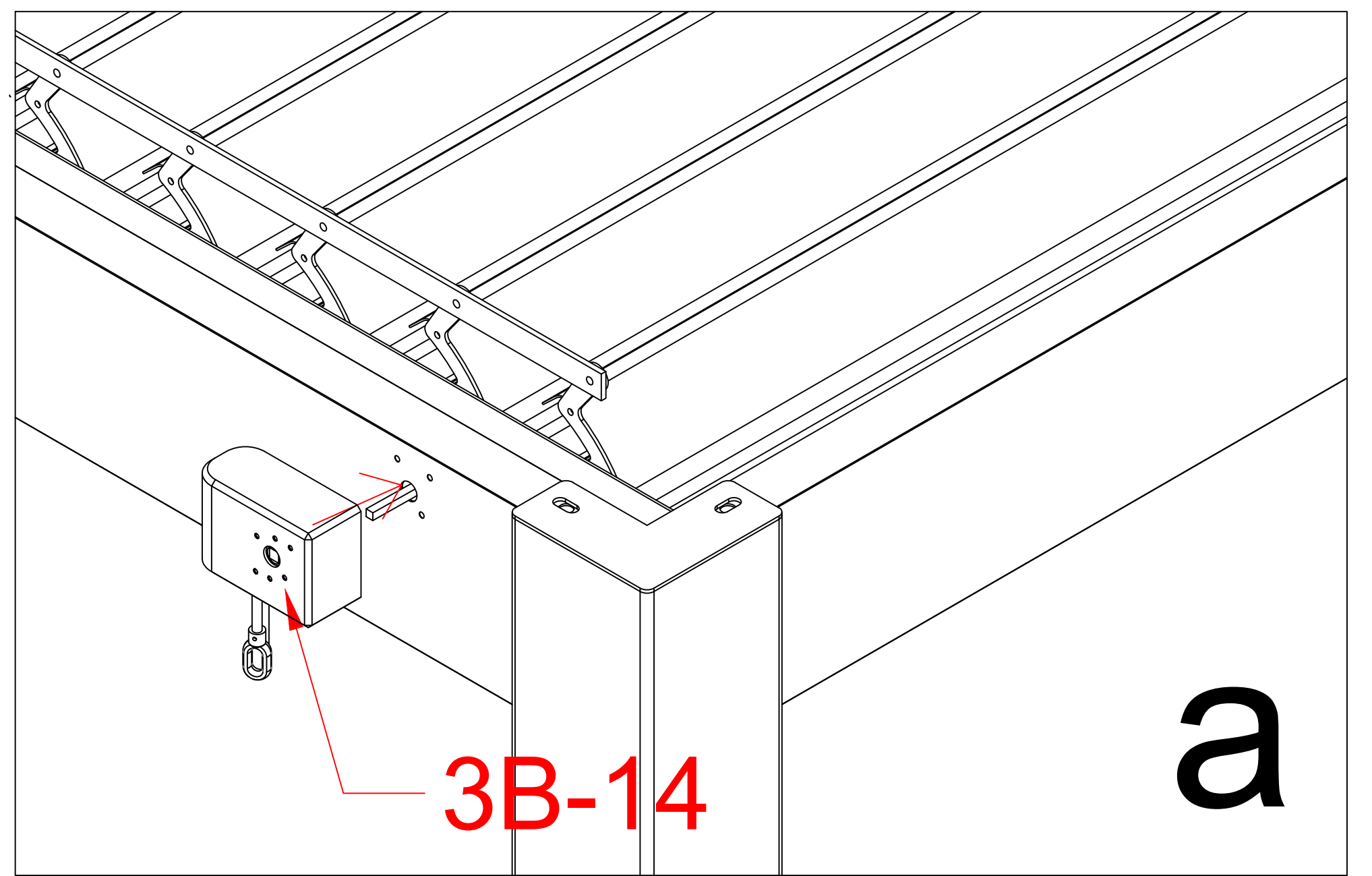
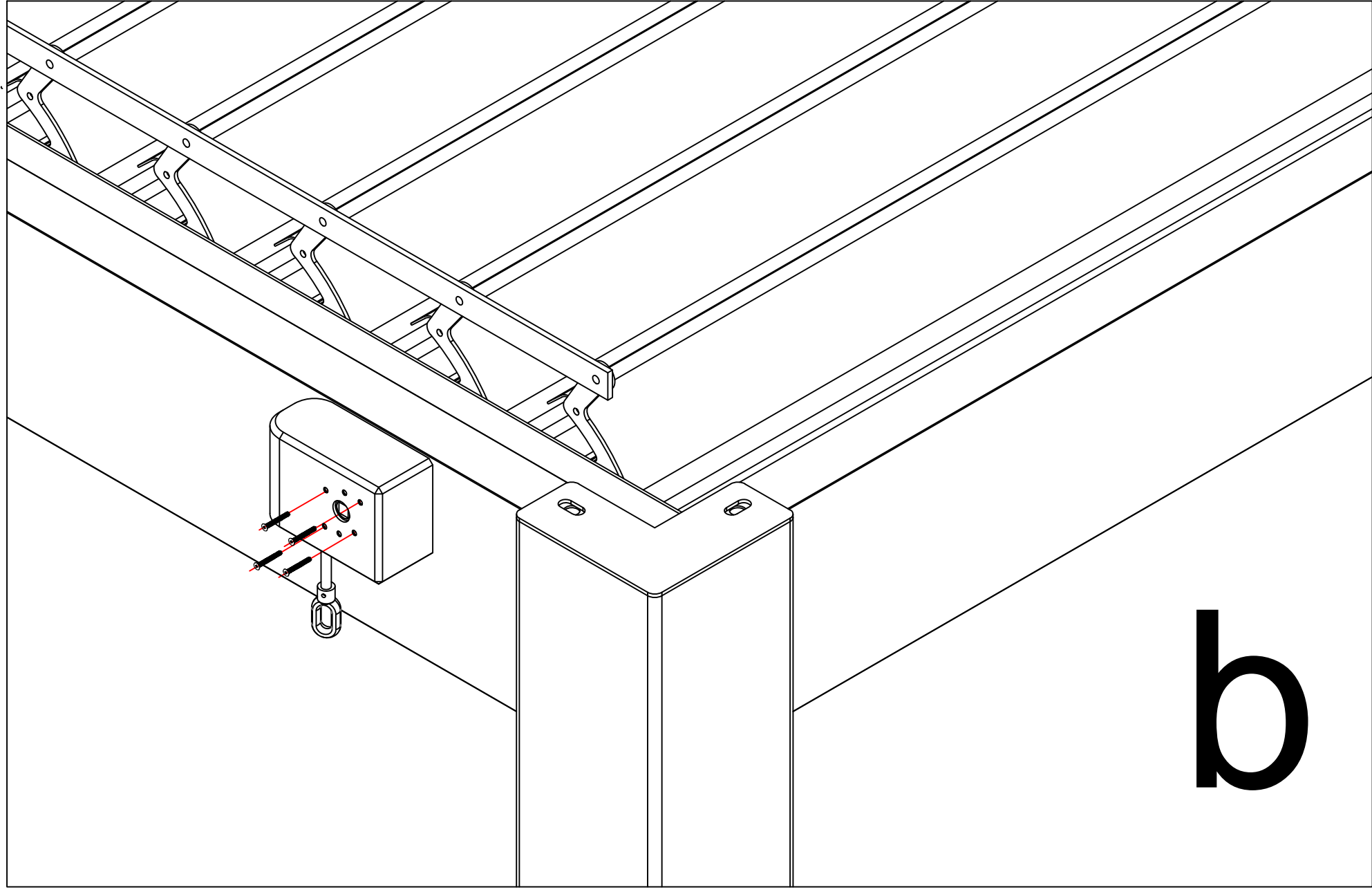


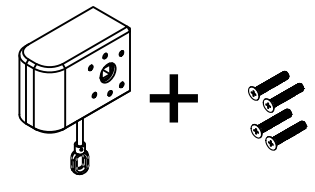
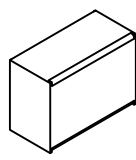
Attention: Please pay attention to differentiation during installation, as the hole positions on both sides are different

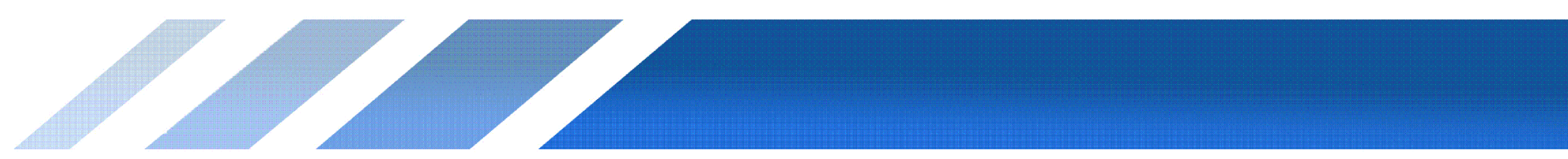


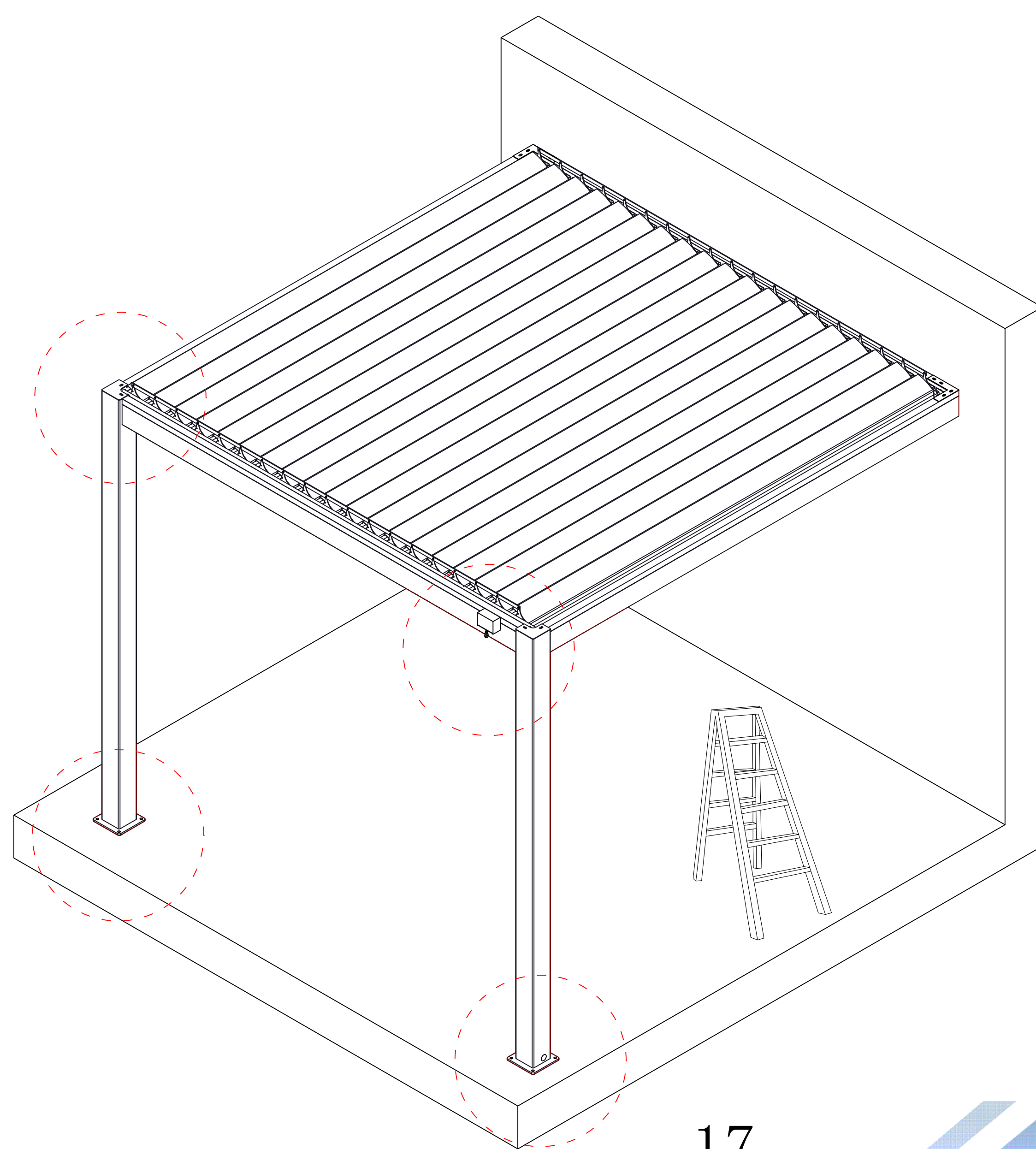
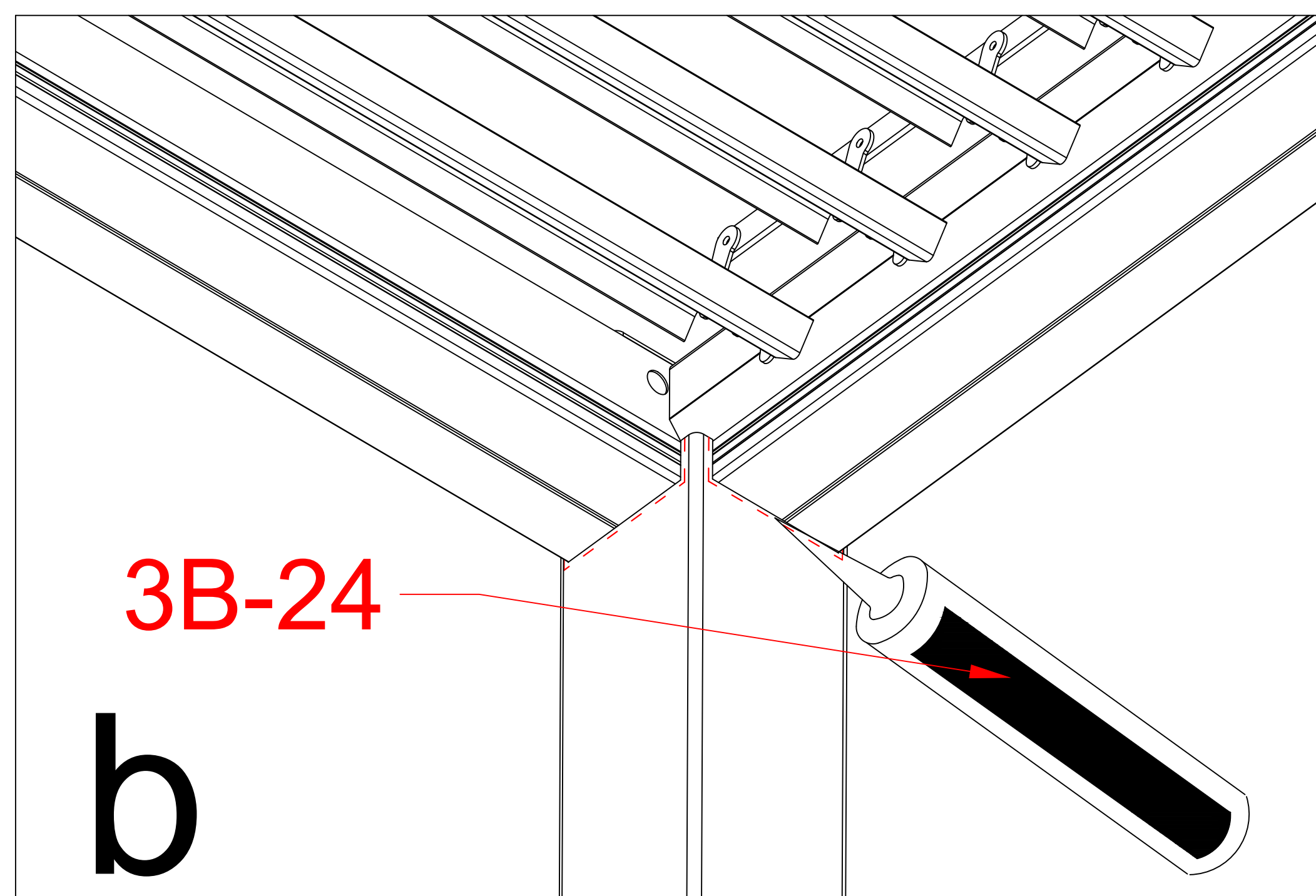
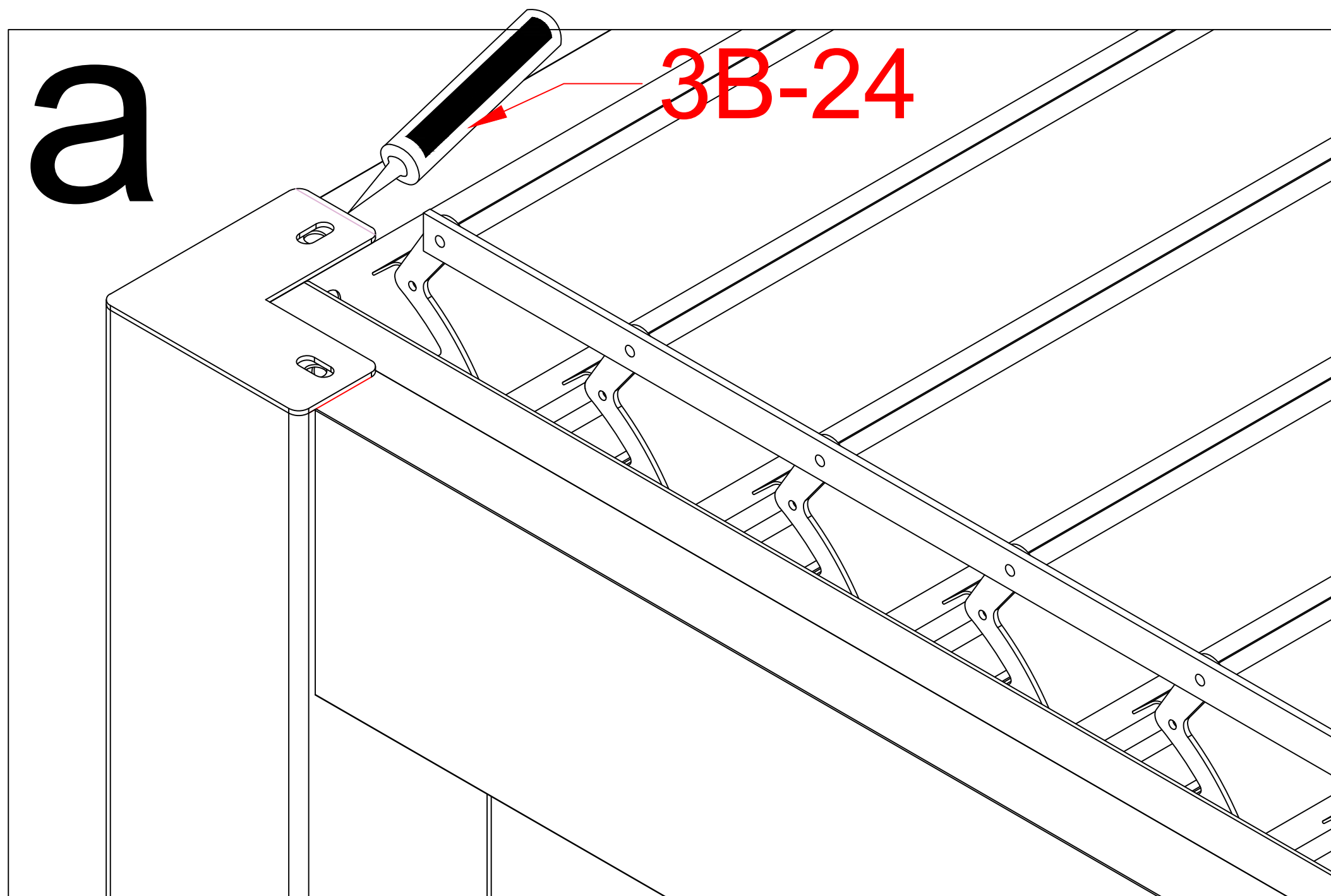
3B-23		10
3B-08	 	2

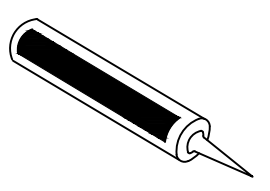


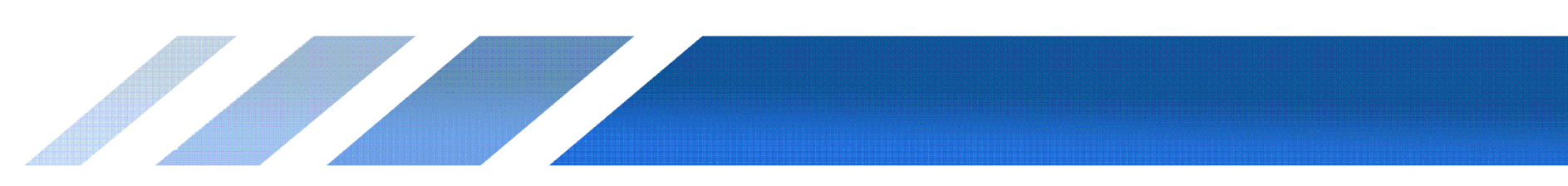


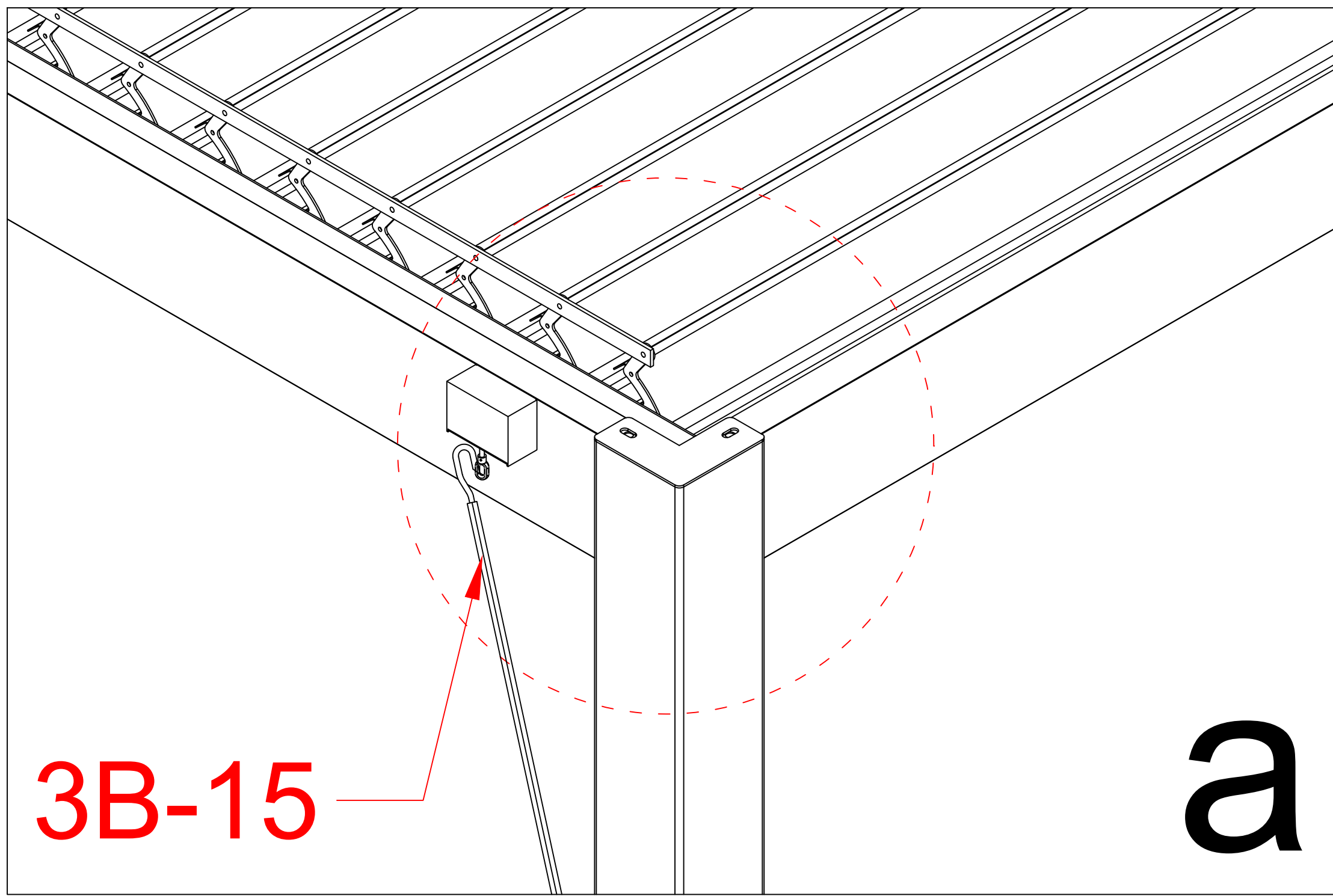
3B-14		1
3B-16		1





3B-24		1
-------	---	---

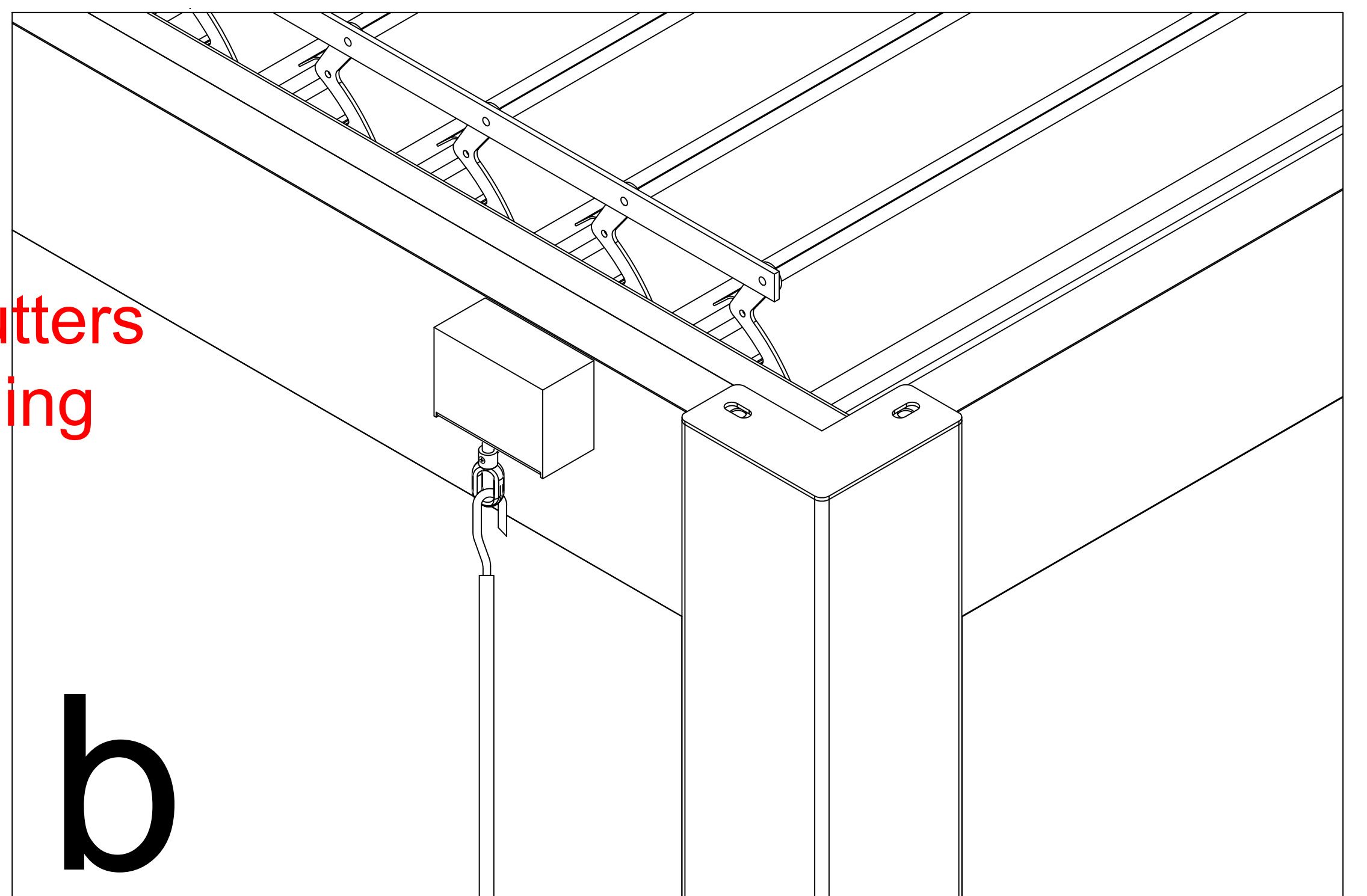




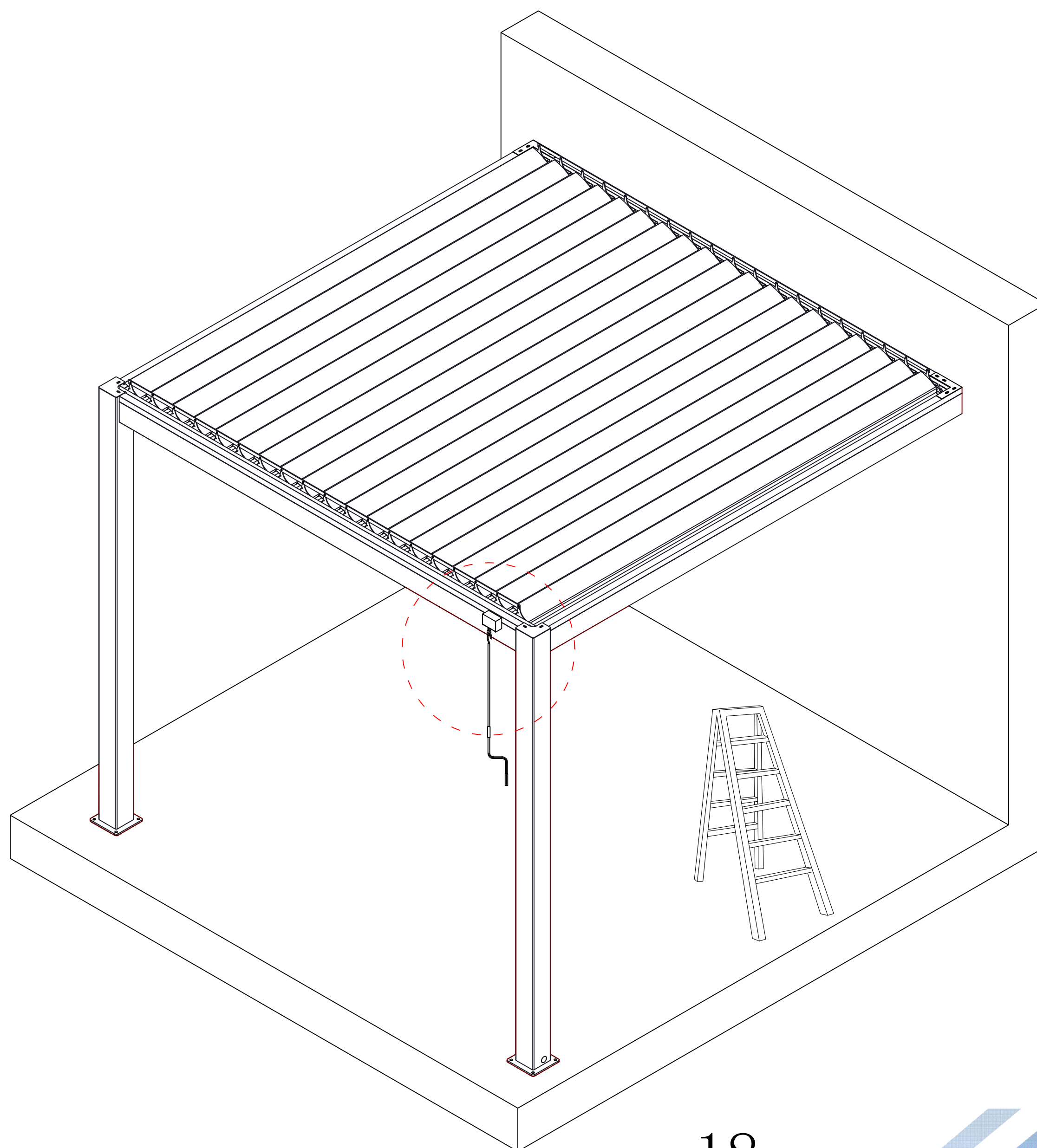
3B-15

a

Warning
 In Snow / Wind season or in case of
 snow / wind forecast open up your shutters
 in vertical position to avoid any damaging
 on your pergola.



b



3B-15		1
-------	--	---

