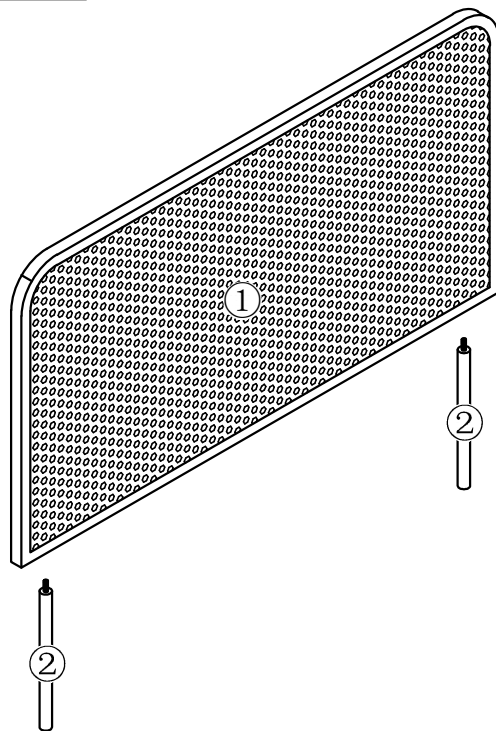
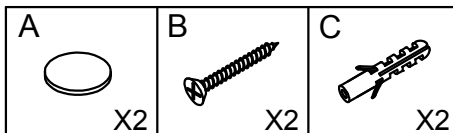
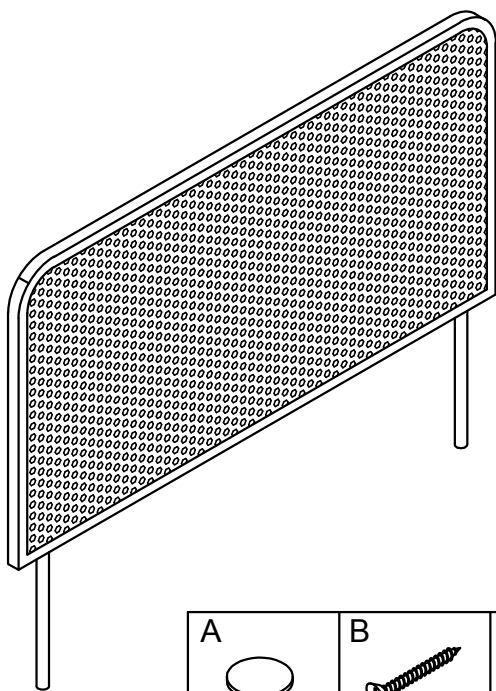
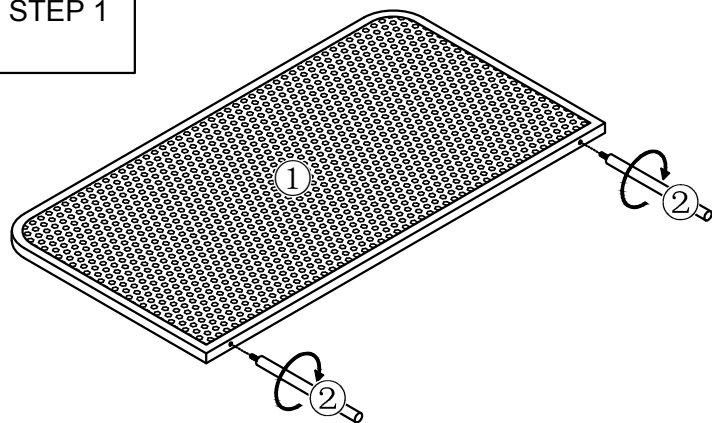


ASSEMBLY INSTRUCTIONS

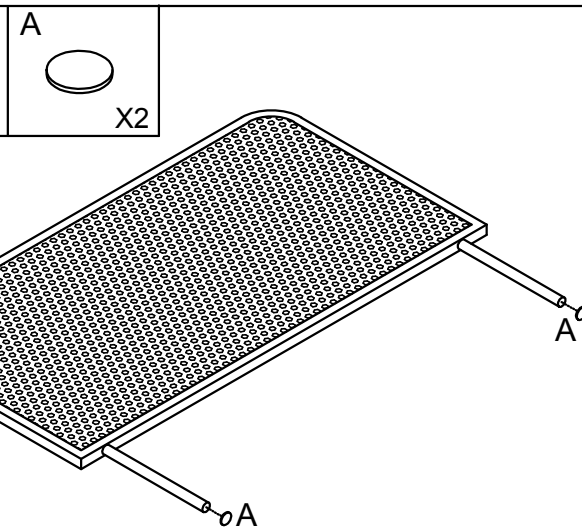
PART LIST



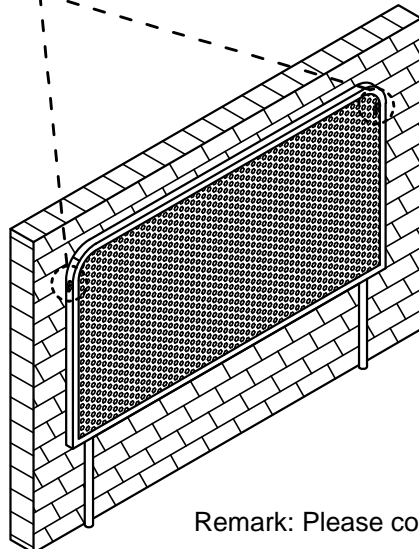
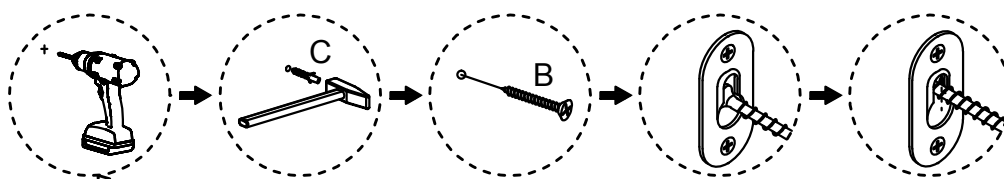
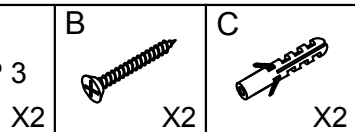
STEP 1



STEP 2



STEP 3



Remark: Please confirm the wall device installation before using.