

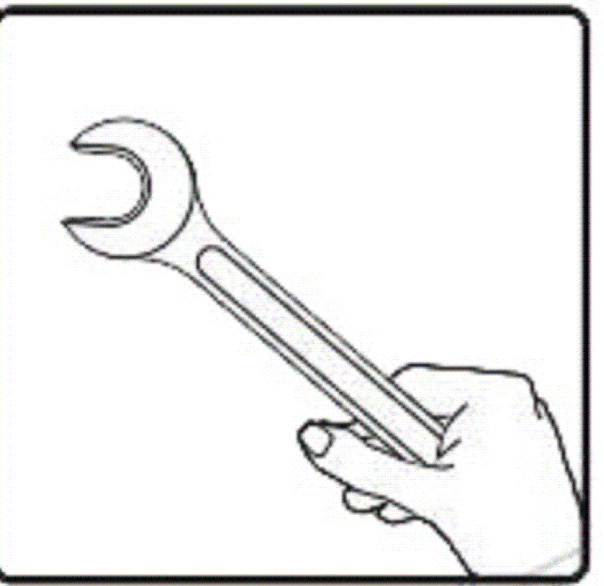
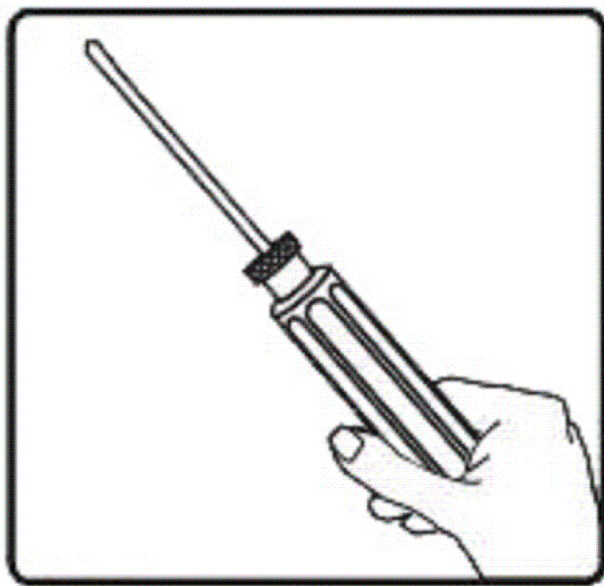
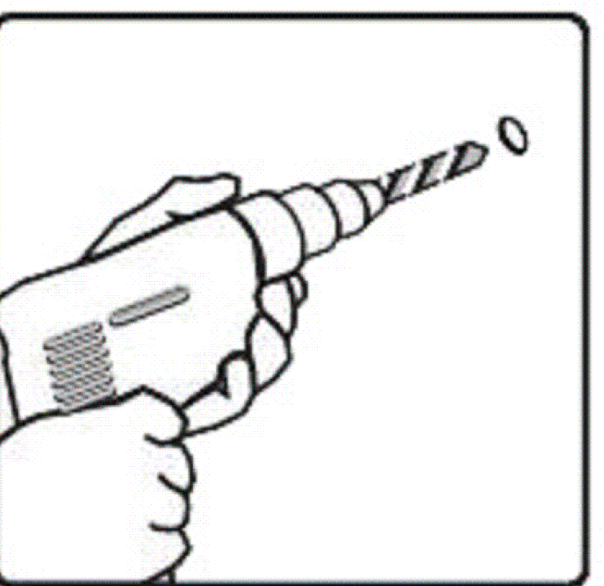
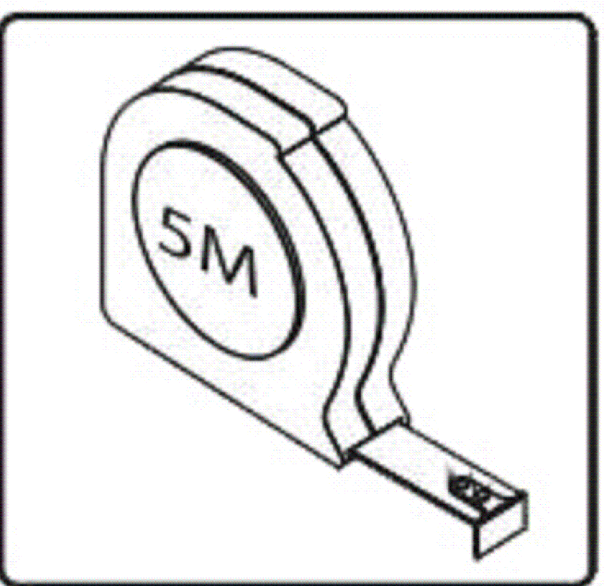
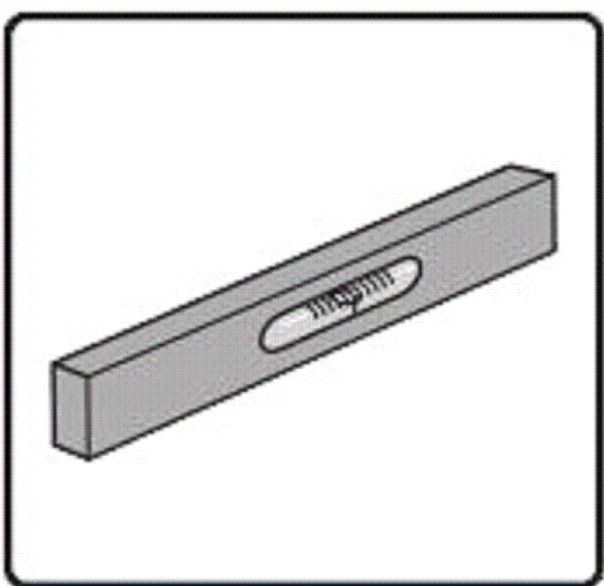
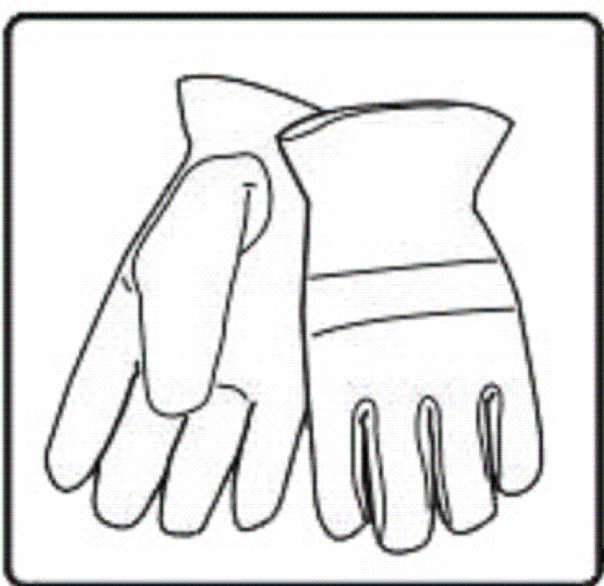
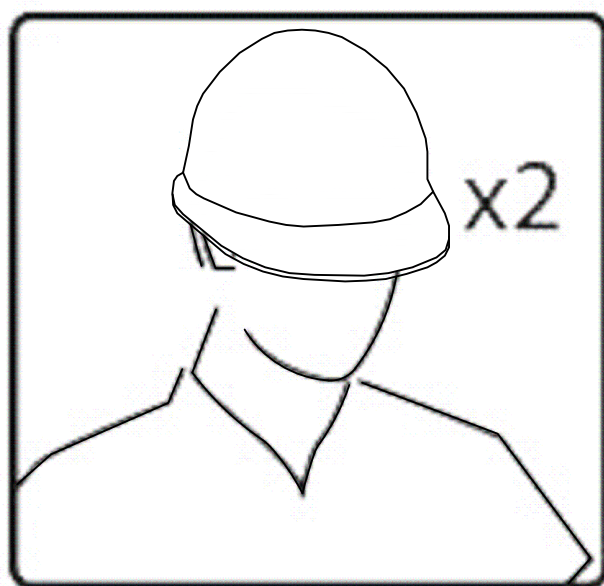
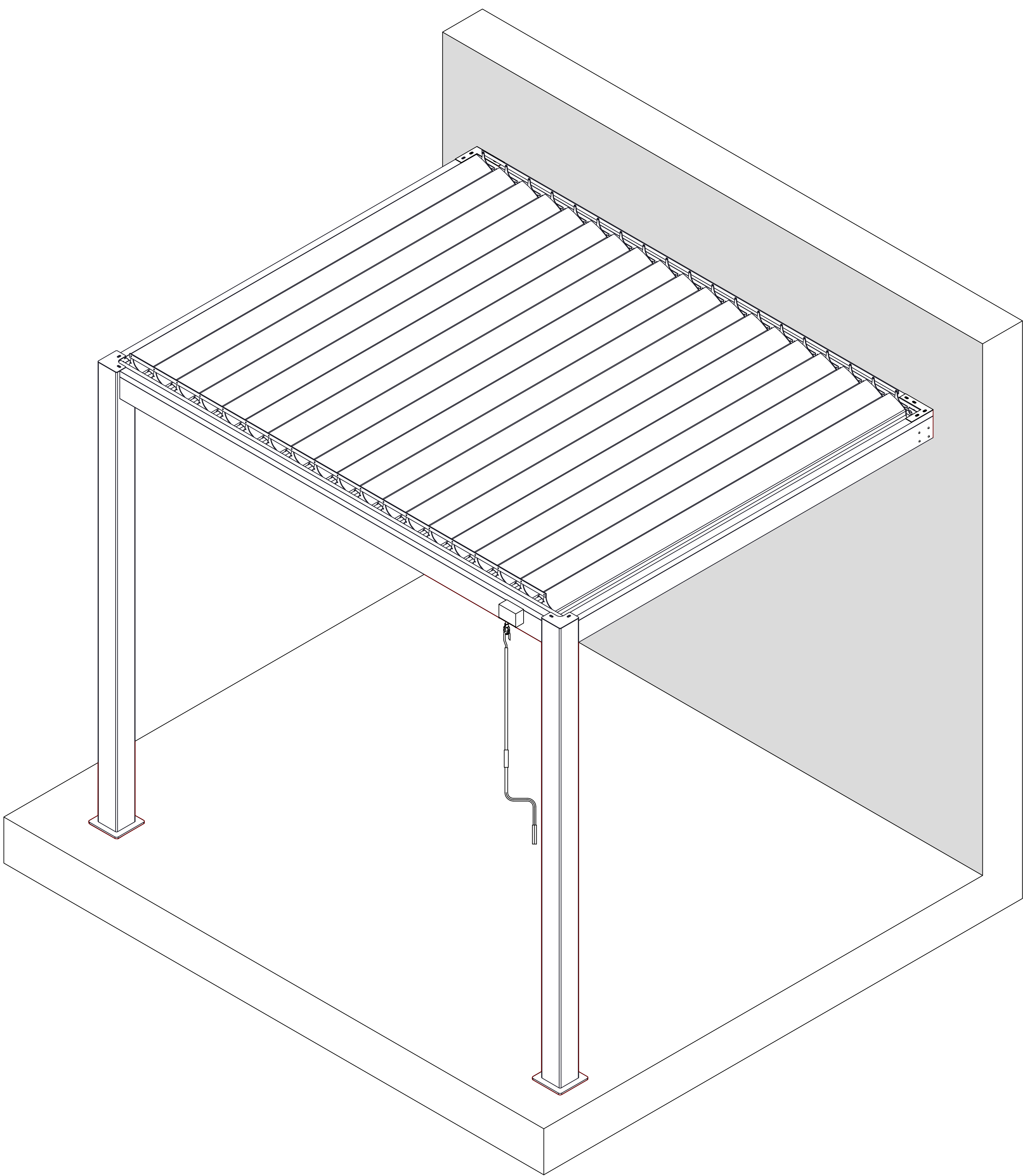


LIVING CULTURE

MANUAL PERGOLA WALL MOUNTED 2 POSTS

2.5×2.5m

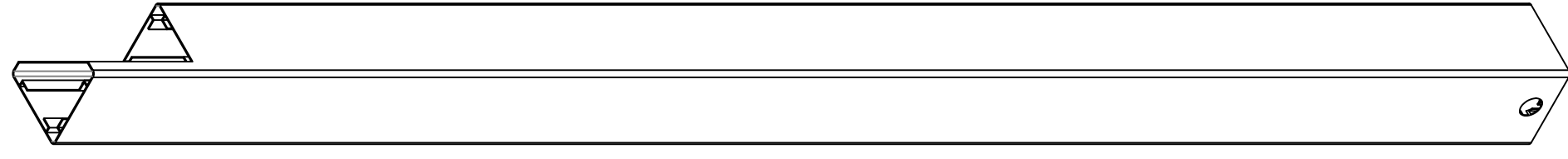
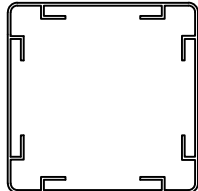
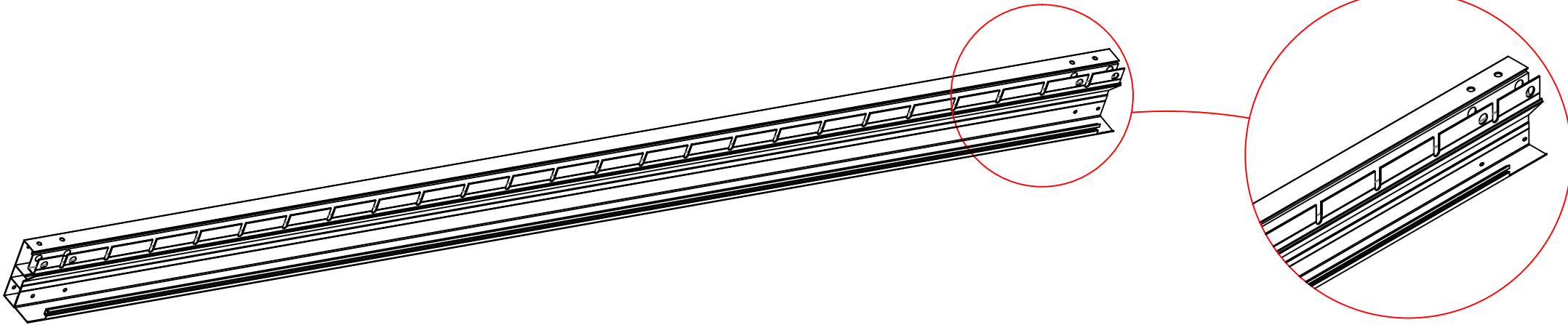
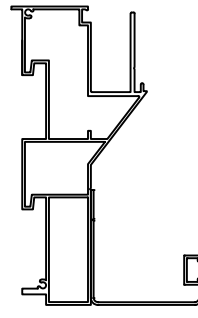
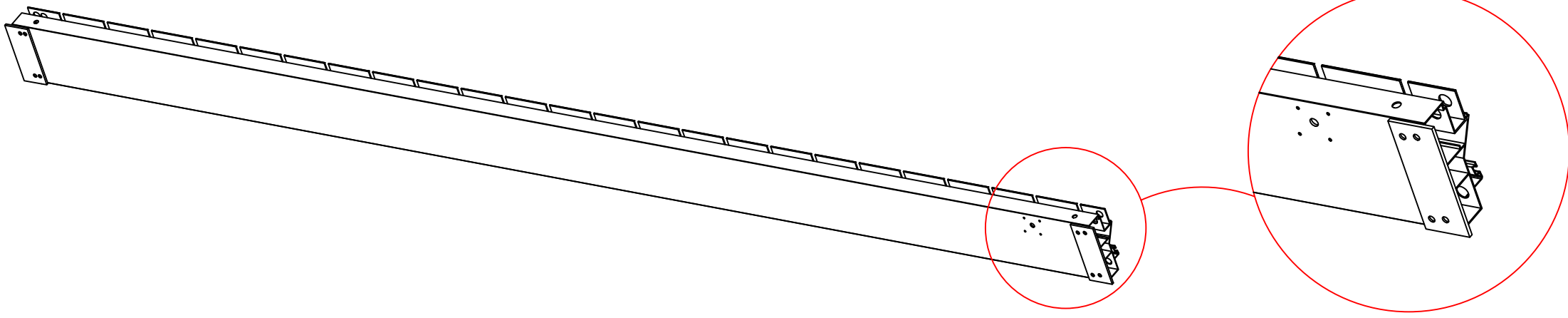
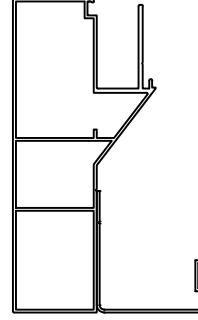
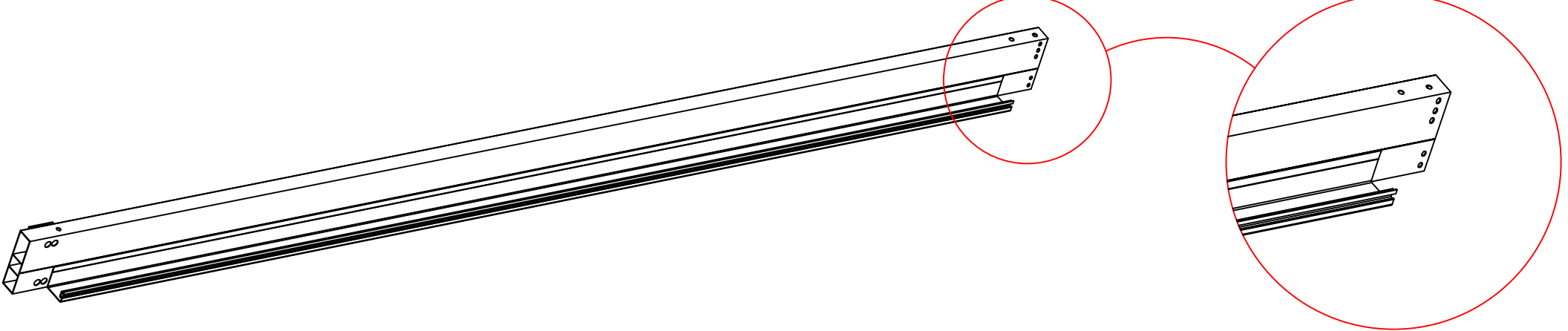
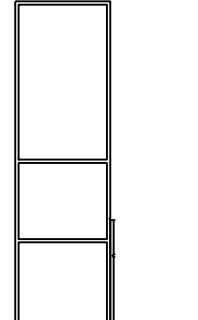
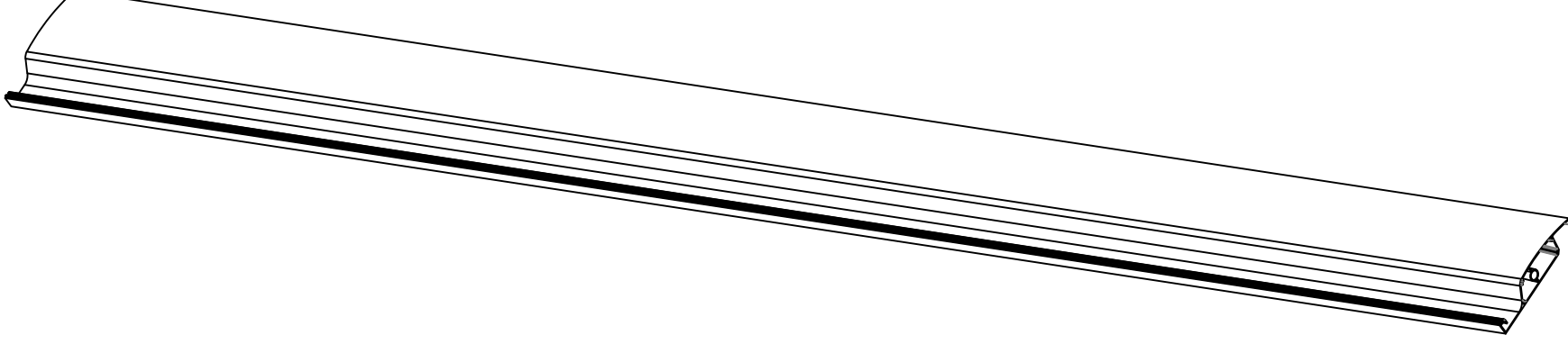
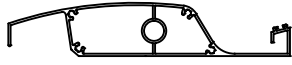
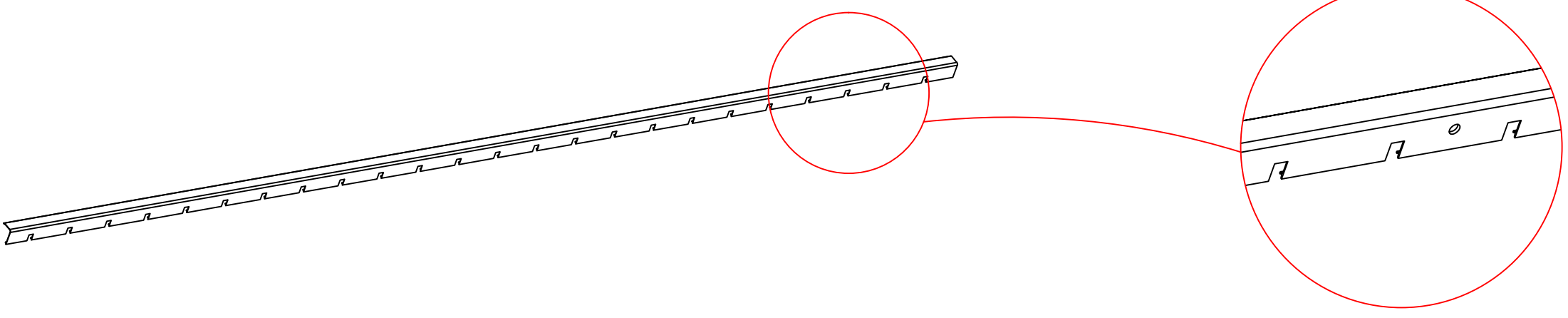
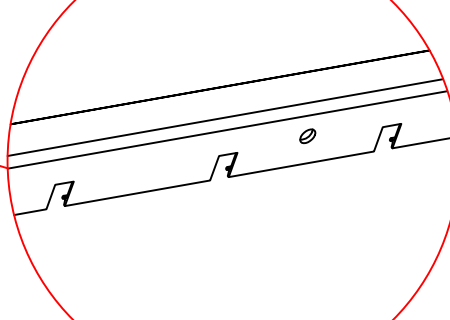
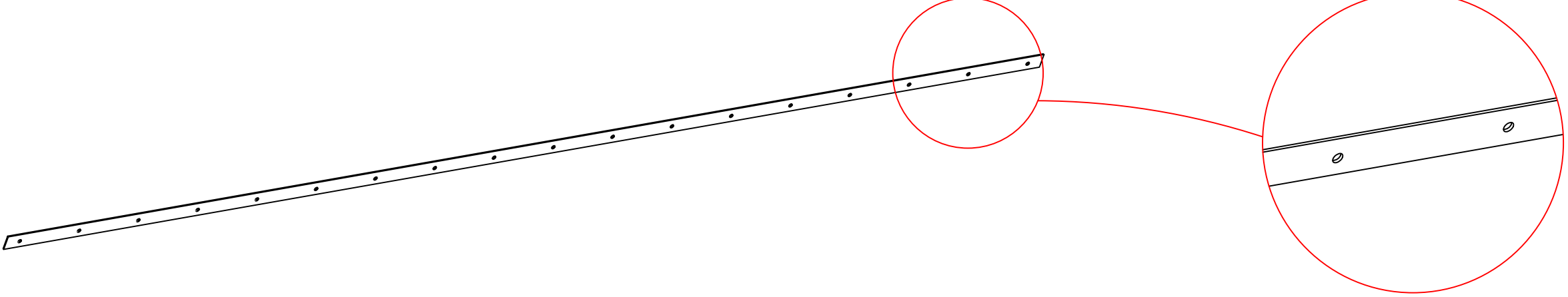
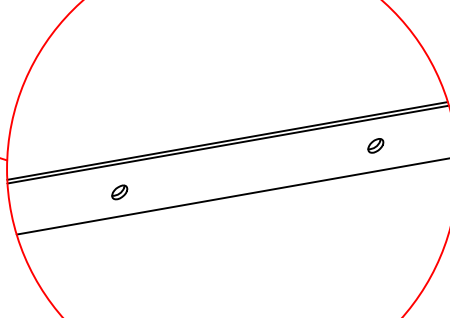
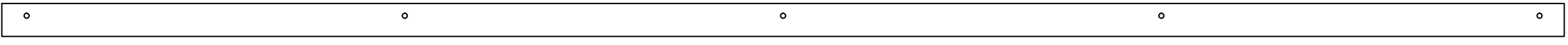






	Item	Qty	Item	Qty	Item	Qty	Item	Qty
Carton 1/3	3B-01	2	3B-11	2	3B-12	2	3B-13	2
	3B-14	1	3B-15	1	3B-16	1	3B-18	1
	3B-19	16	3B-20	34	3B-21	8	3B-23	15
	3B-24	1	3B-35	2	3B-39	8	3B-40	2
	3B-41	2	3B-42a	10	3B-42b	8	3B-45	8
	3B-46	2	3B-48	17	3B-49	16	3B-50	1
	3B-51	136	3B-53	4	3B-54	4	3B-55	2
	3B-62	8						
Carton 2/3	3B-02	1	3B-03	1	3B-04	2	3B-56	1
	3B-08	2	3B-09	2				
Carton 3/3	3B-06	17						

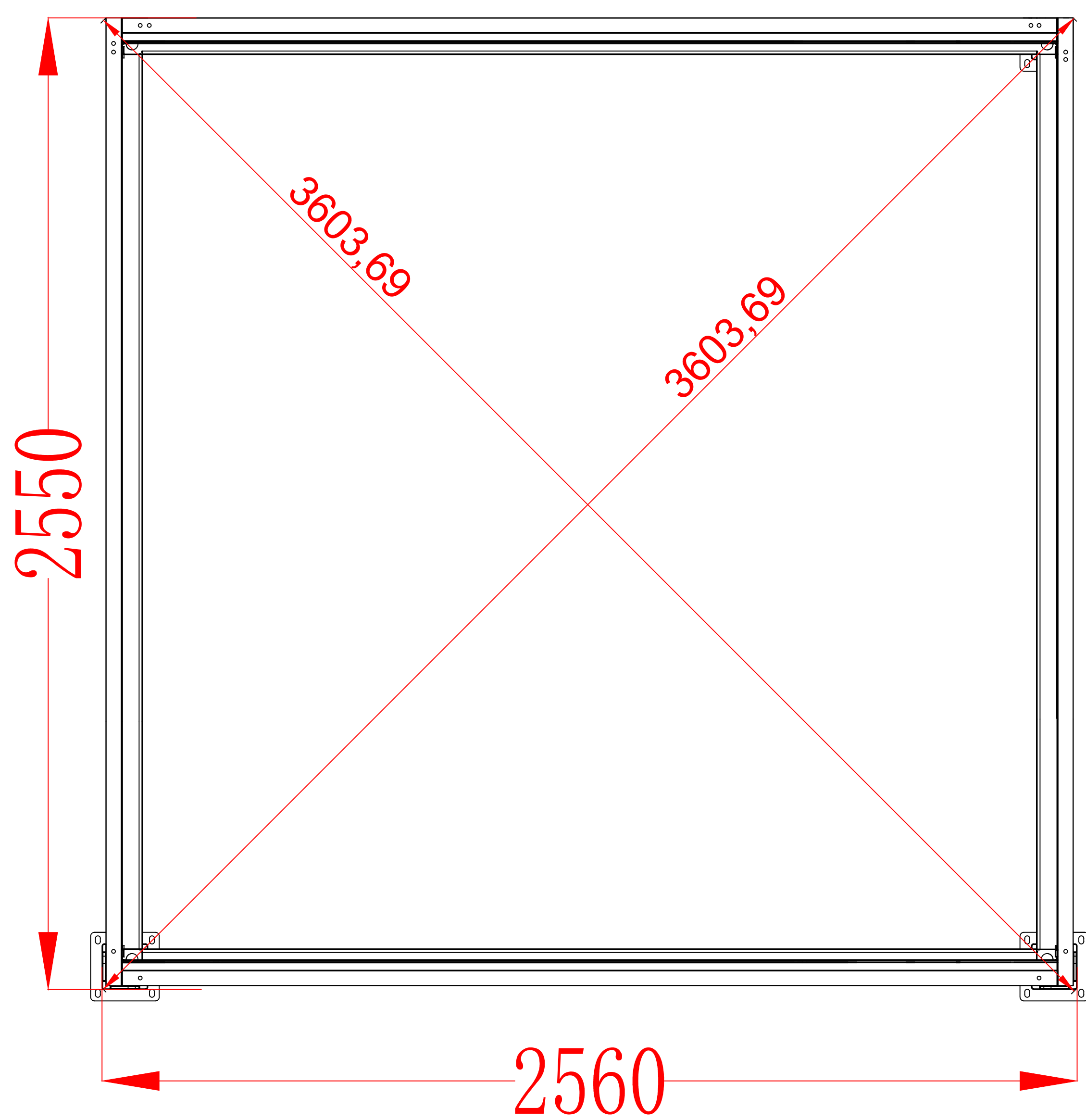
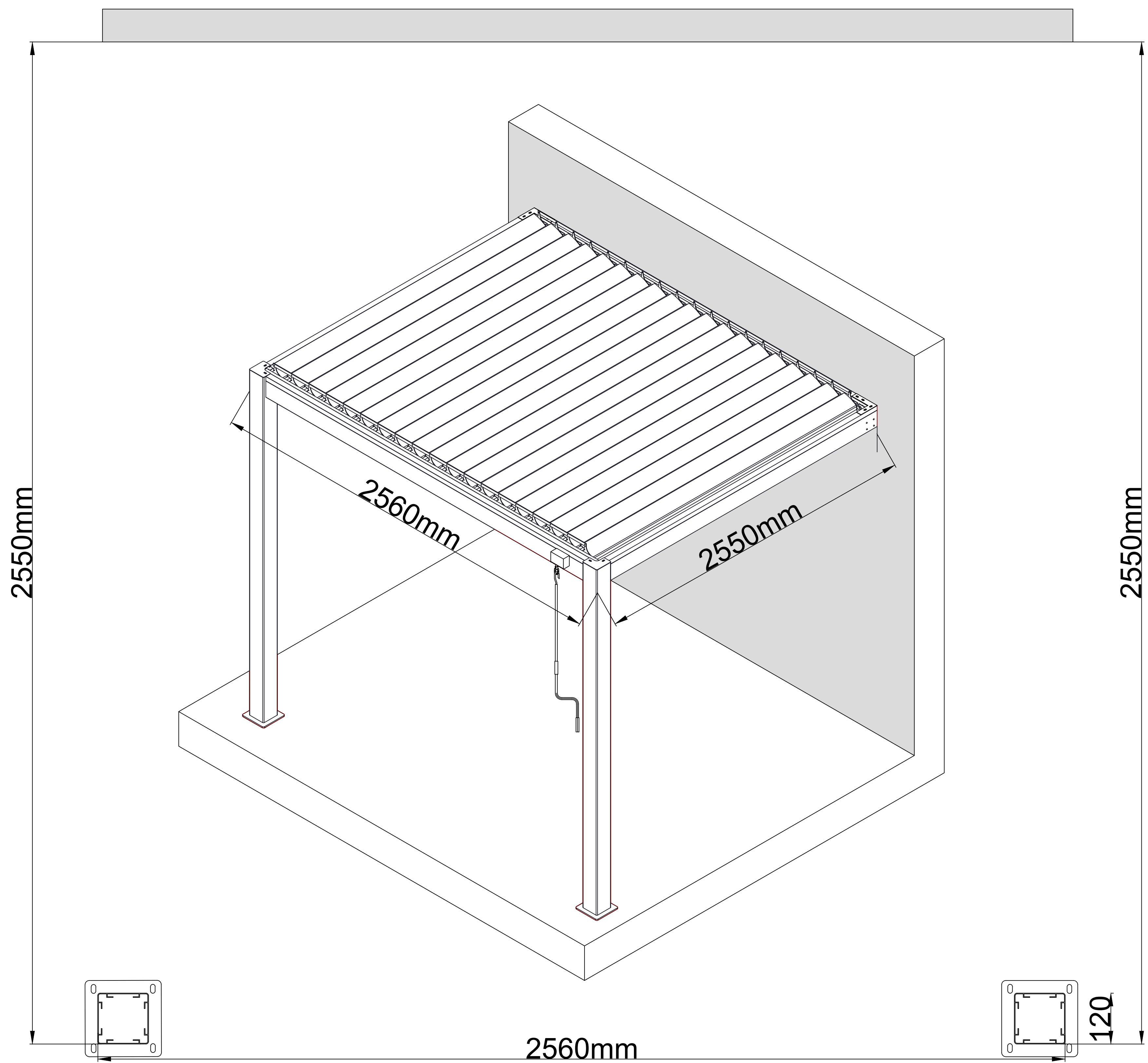


Item	Drawings	Qty
3B-01	 	2
3B-02	 	1
3B-03	 	1
3B-04	 	2
3B-06	 	17
3B-08	 	2
3B-09	 	2
3B-56		1



Item	Drawings	Qty
3B-11		2
3B-12		2
3B-13		2
3B-14		1
3B-15		1
3B-16		1
3B-18		1
3B-19	 M8*20	16+2
3B-20		34+2
3B-21	 M10*80	8
3B-23	 M4.2*19	15+2
3B-24		1
3B-35		2
3B-39	 M8*100	8

Item	Drawings	Qty
3B-40		2
3B-41		2
3B-42a	 M6*16	10
3B-42b	 M6*16 ^P	8
3B-45	 M8*10	8
3B-46		2
3B-48		17
3B-49		16
3B-50		1
3B-51	 M4.2*25	136+4
3B-53		4
3B-54	 M4.2*25	4
3B-55		2
3B-62	 M14*75 M10*100	8

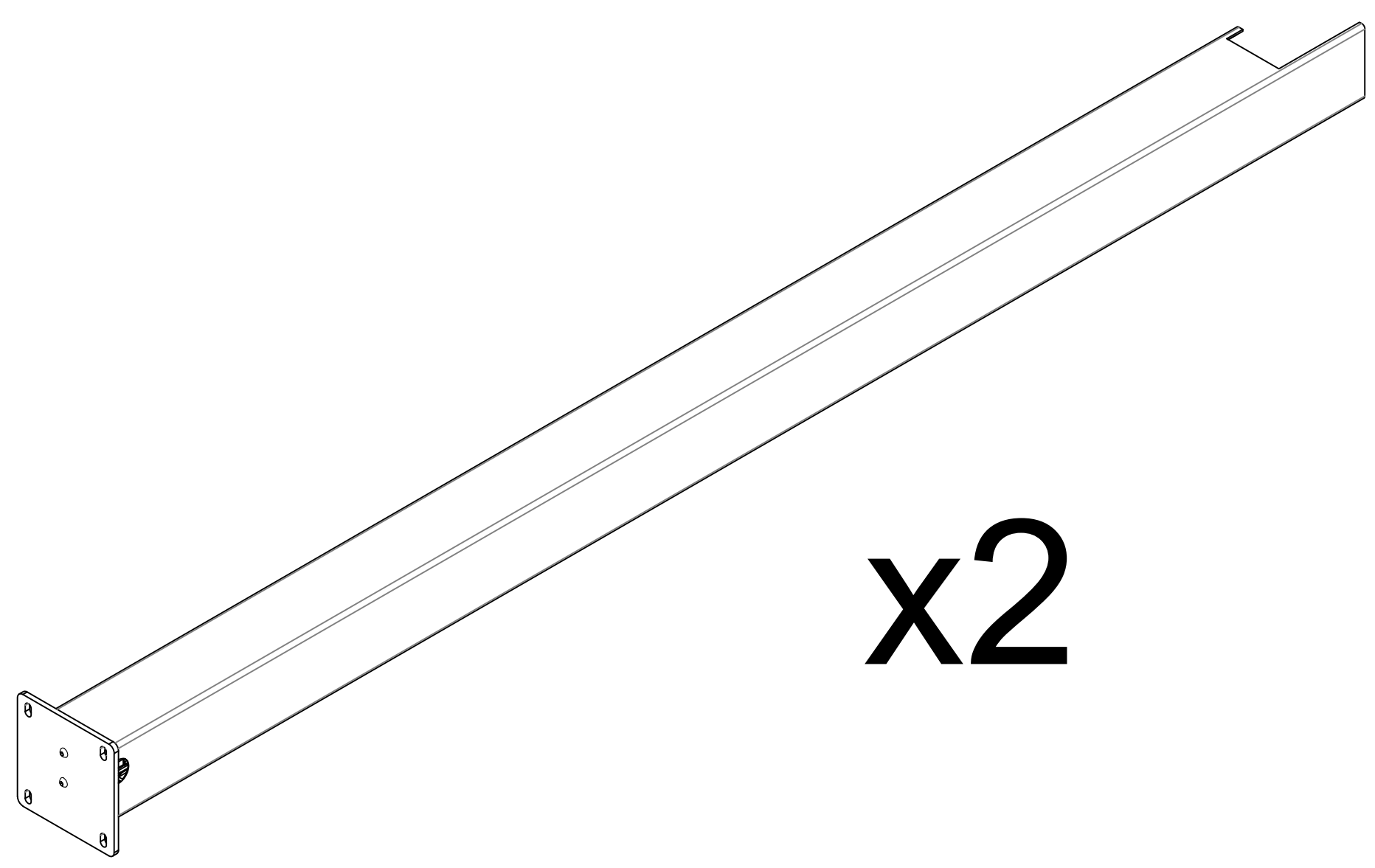
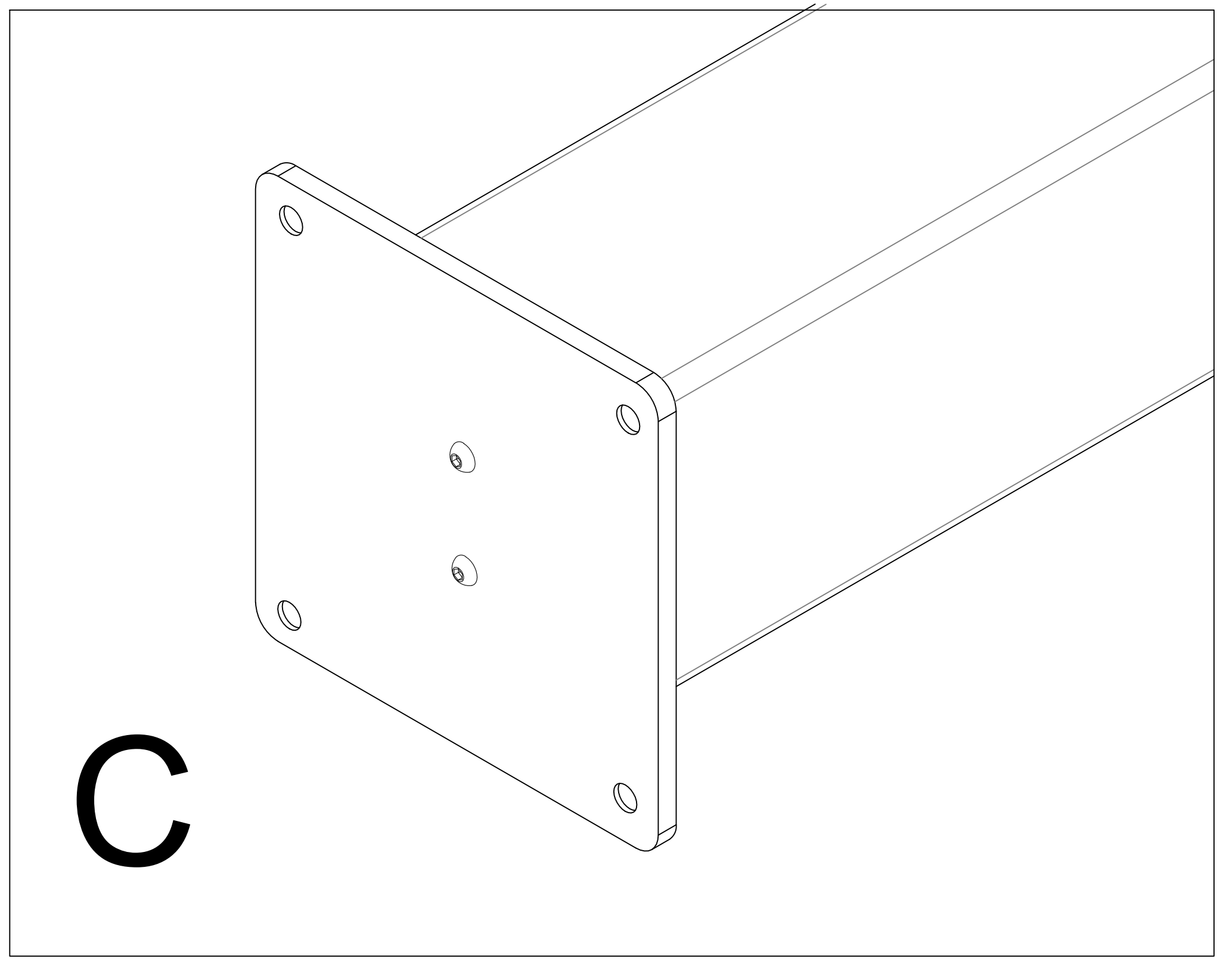
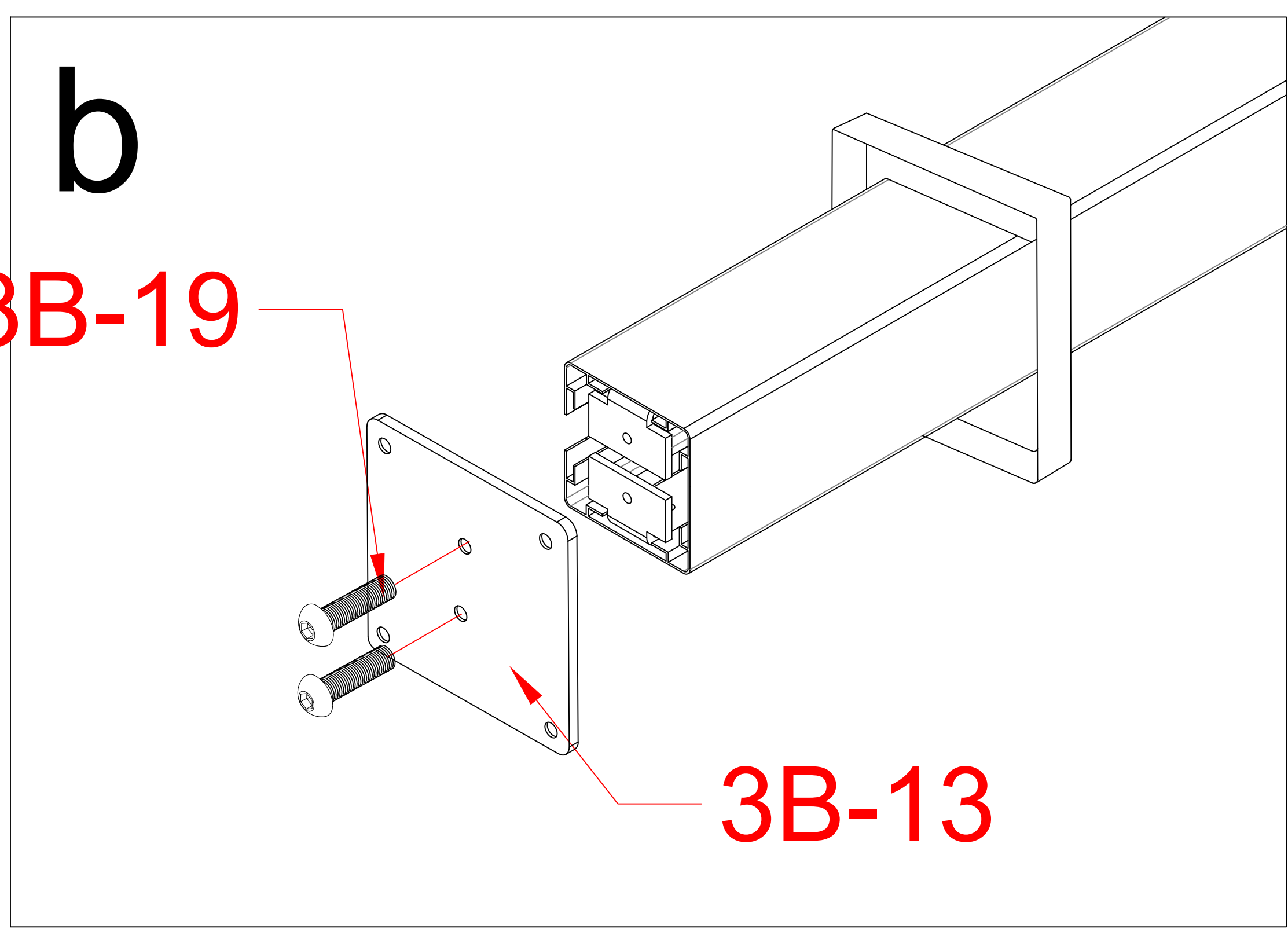
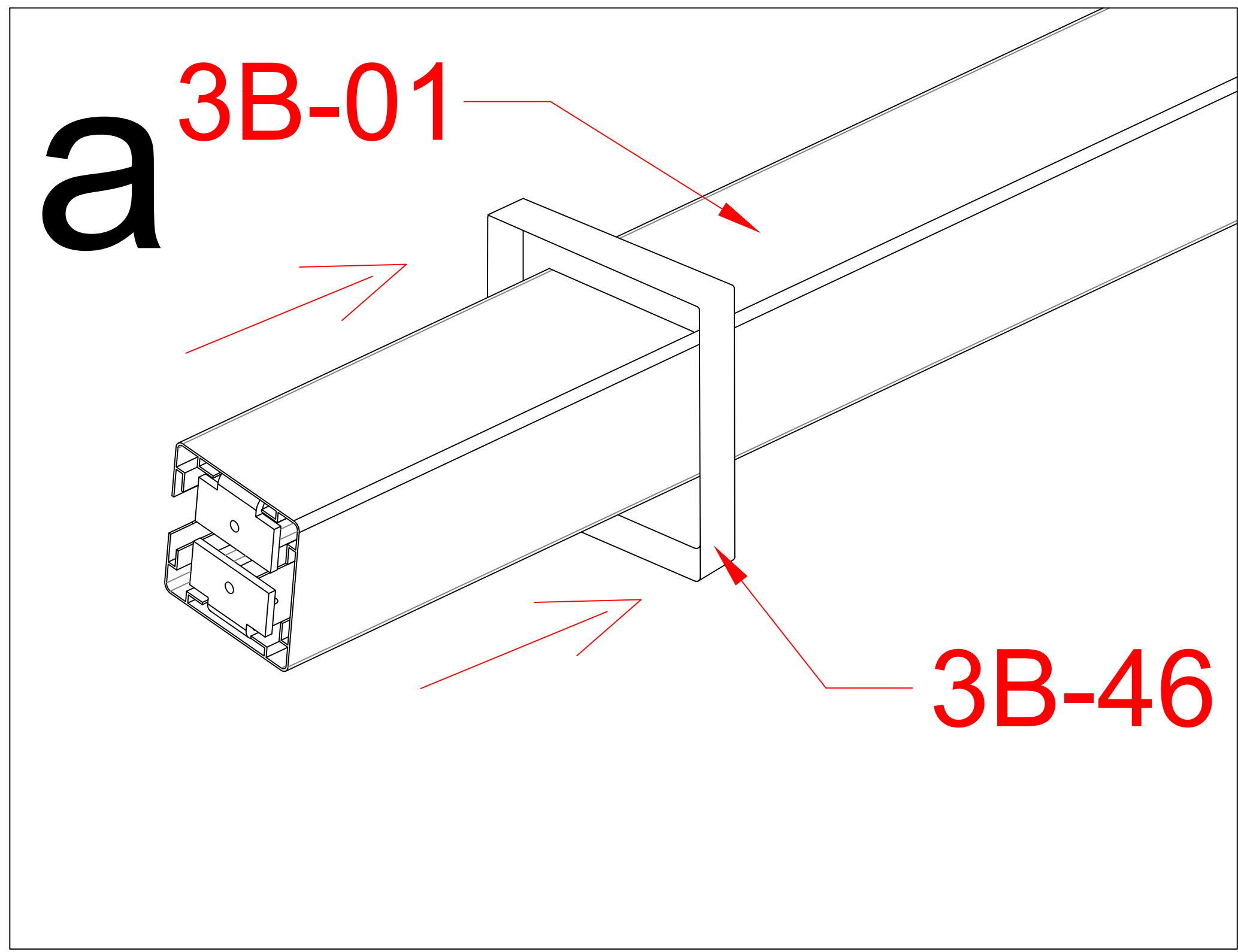


Before installing the bottom expansion screws, please be sure to correct the frame size

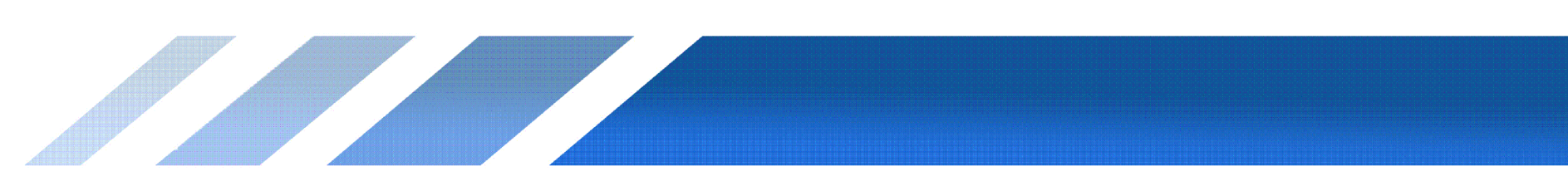
2.5*2.5-4

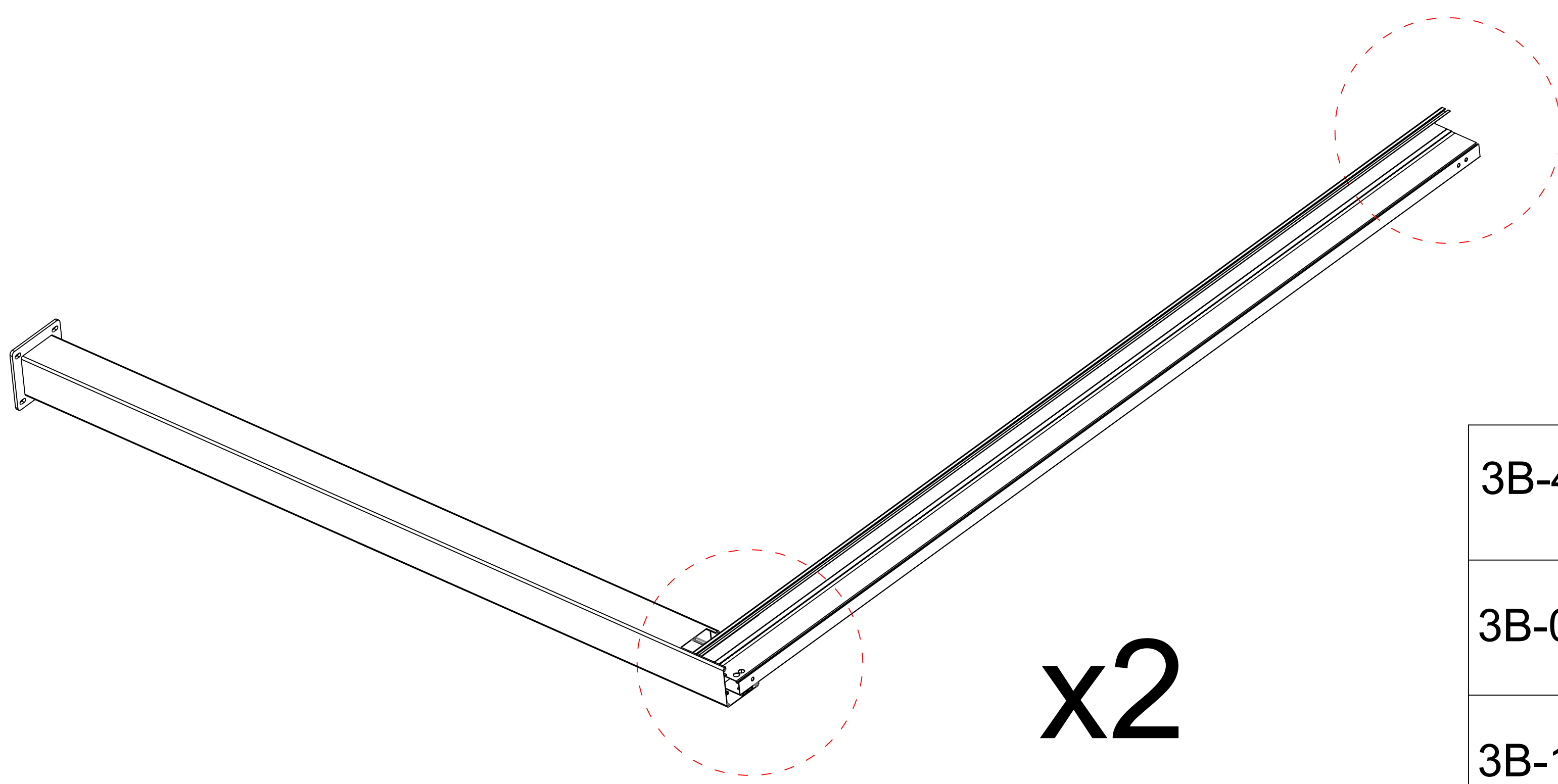
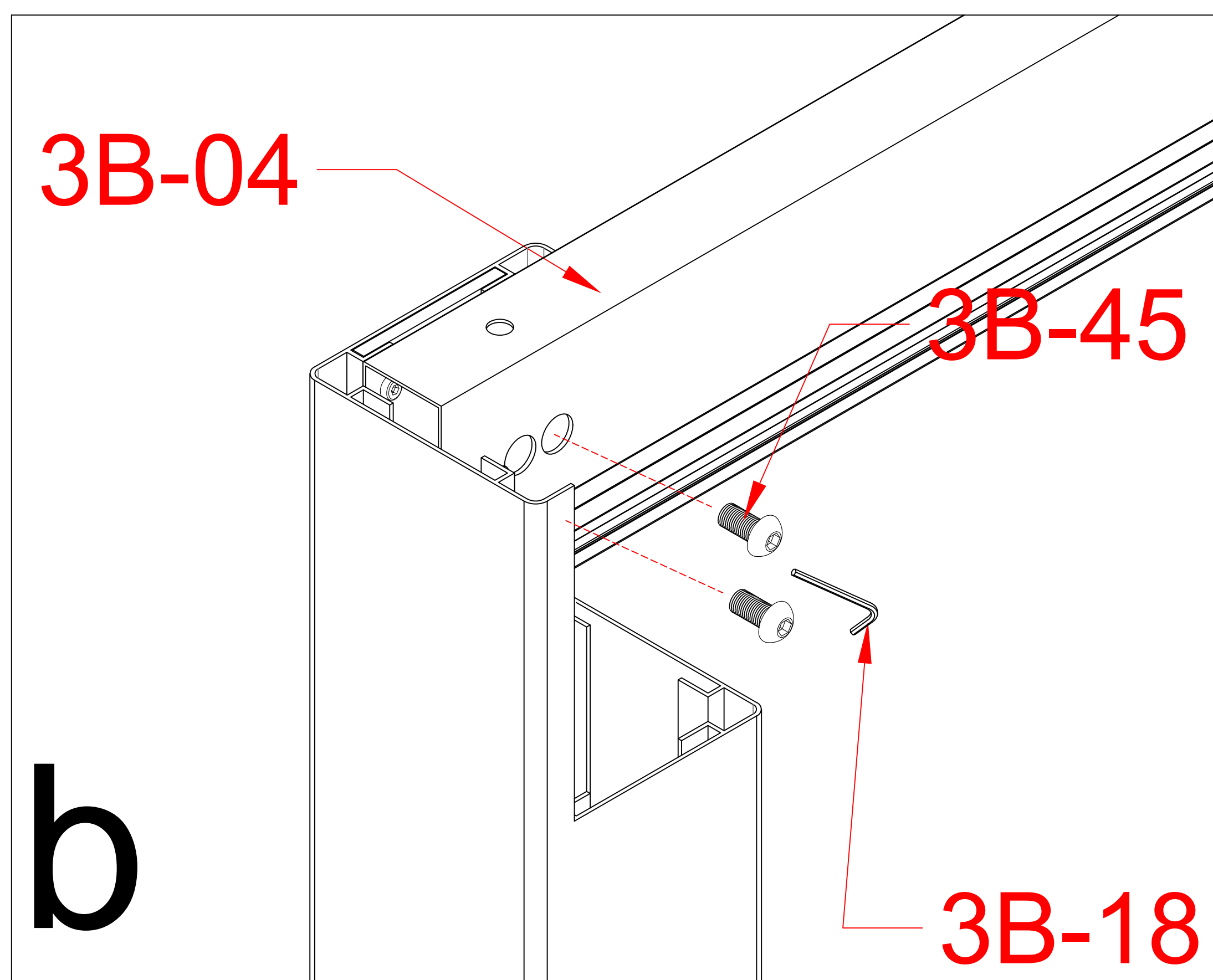
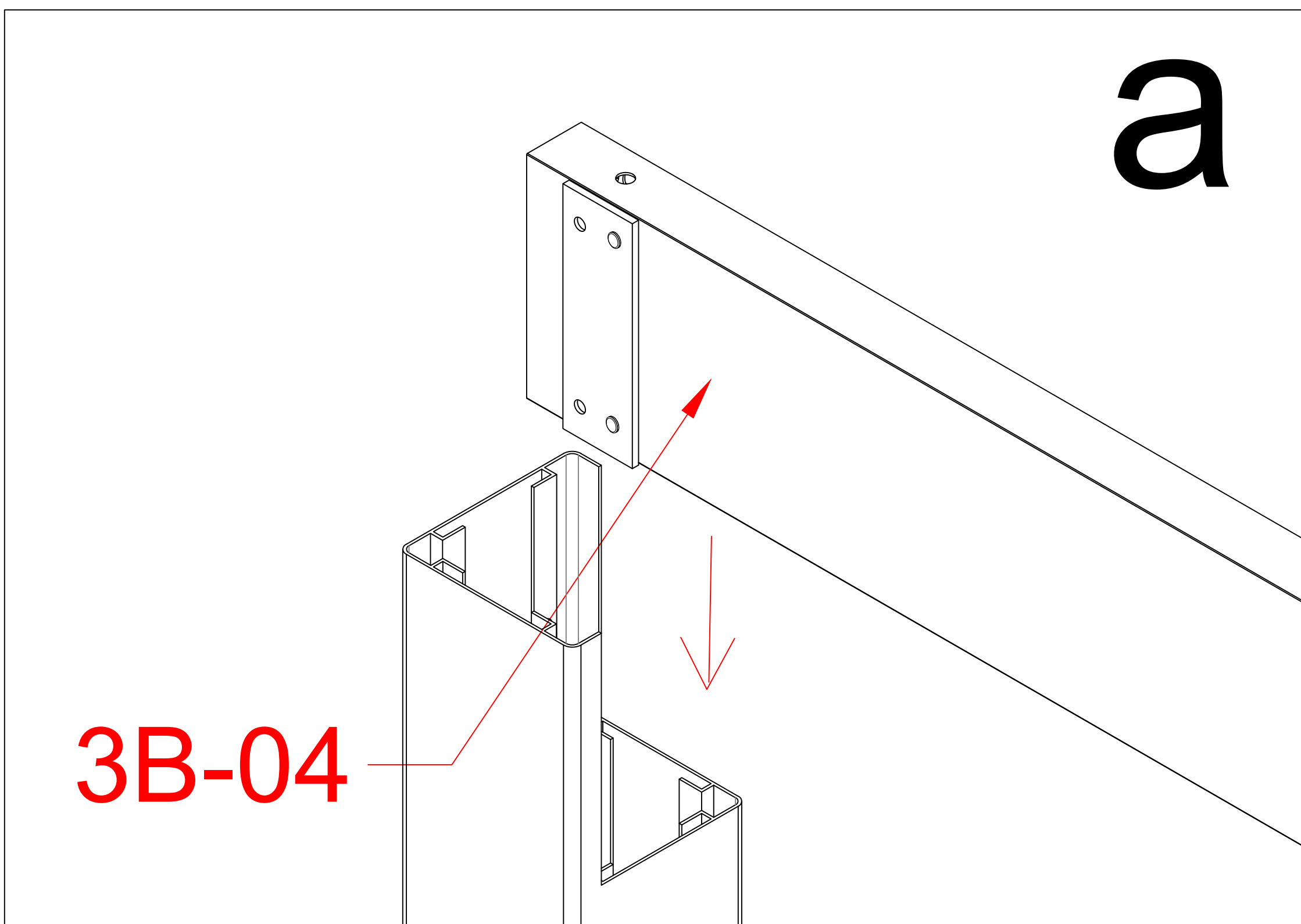


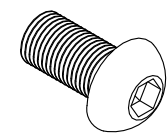

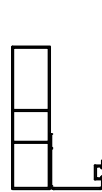

During the installation process, if you encounter any uncertainties, please refer to the installation instructions on the product page of the website.

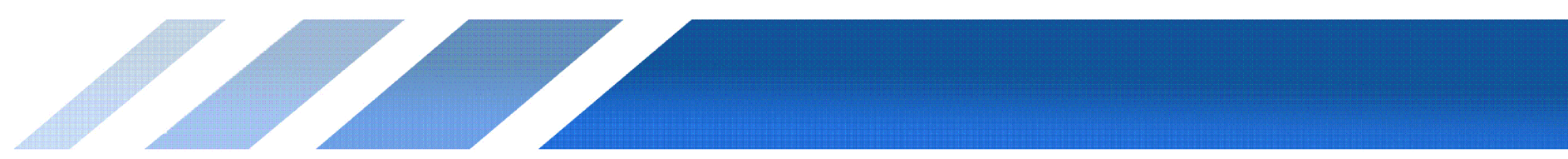


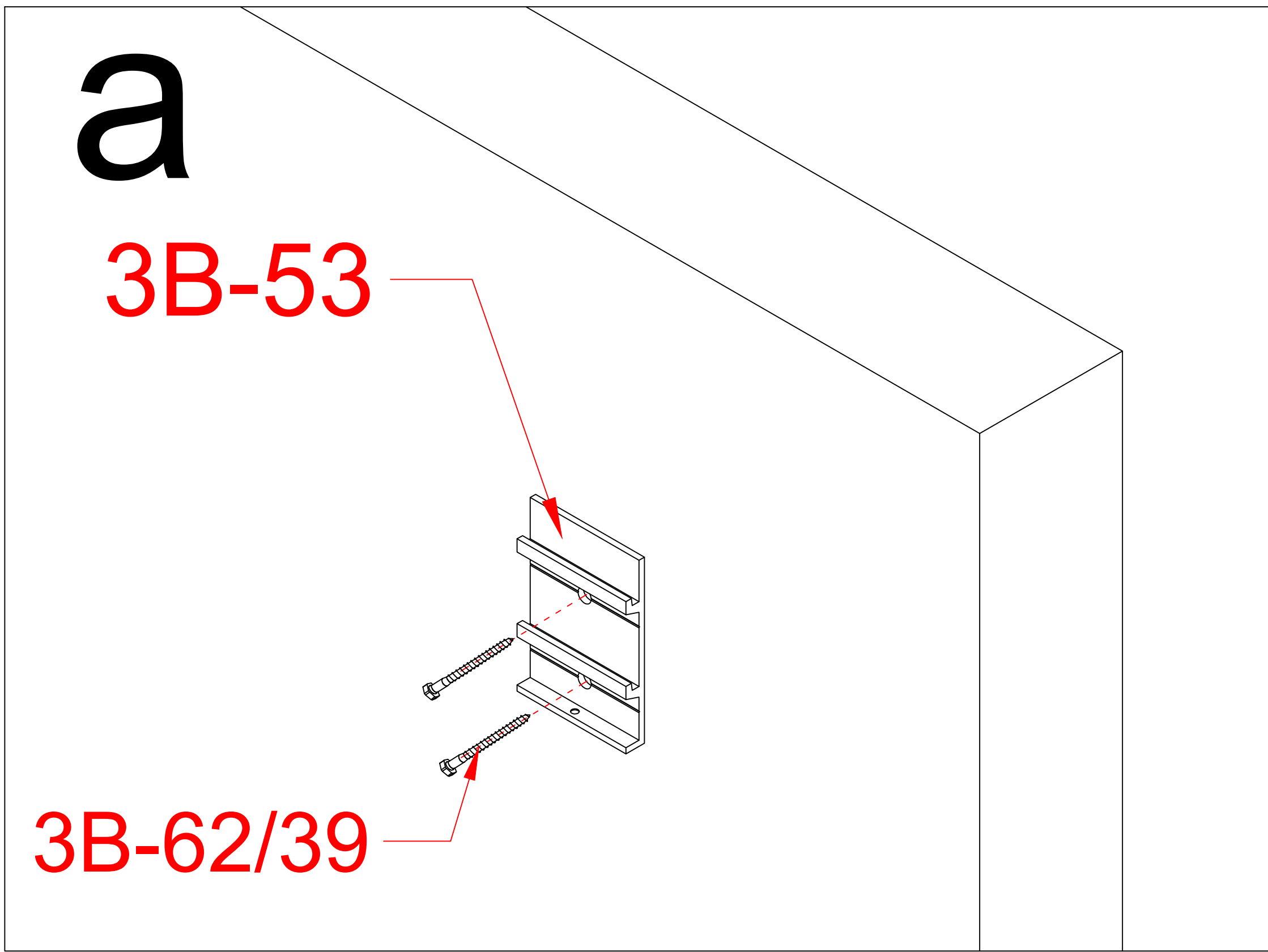
3B-46		2
3B-01		2
3B-13		2
3B-19		4



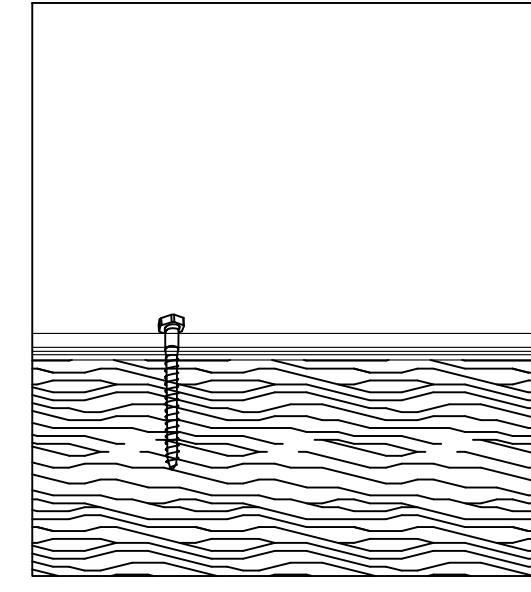
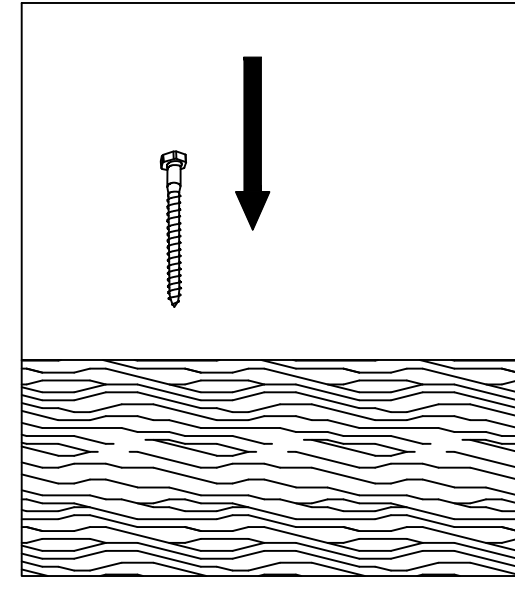


3B-45	 M8*10	4
3B-04	 	2
3B-18		1

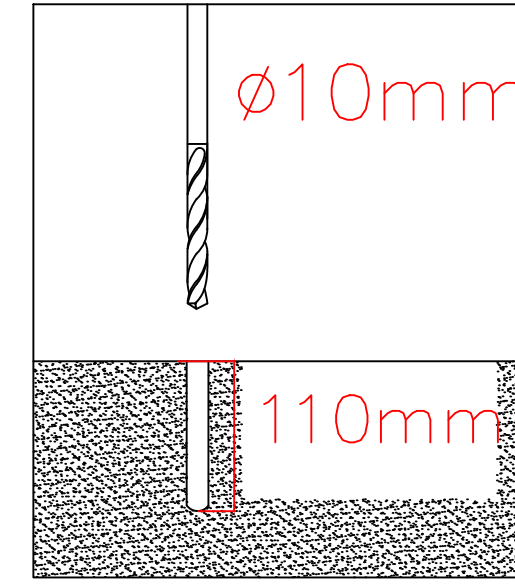




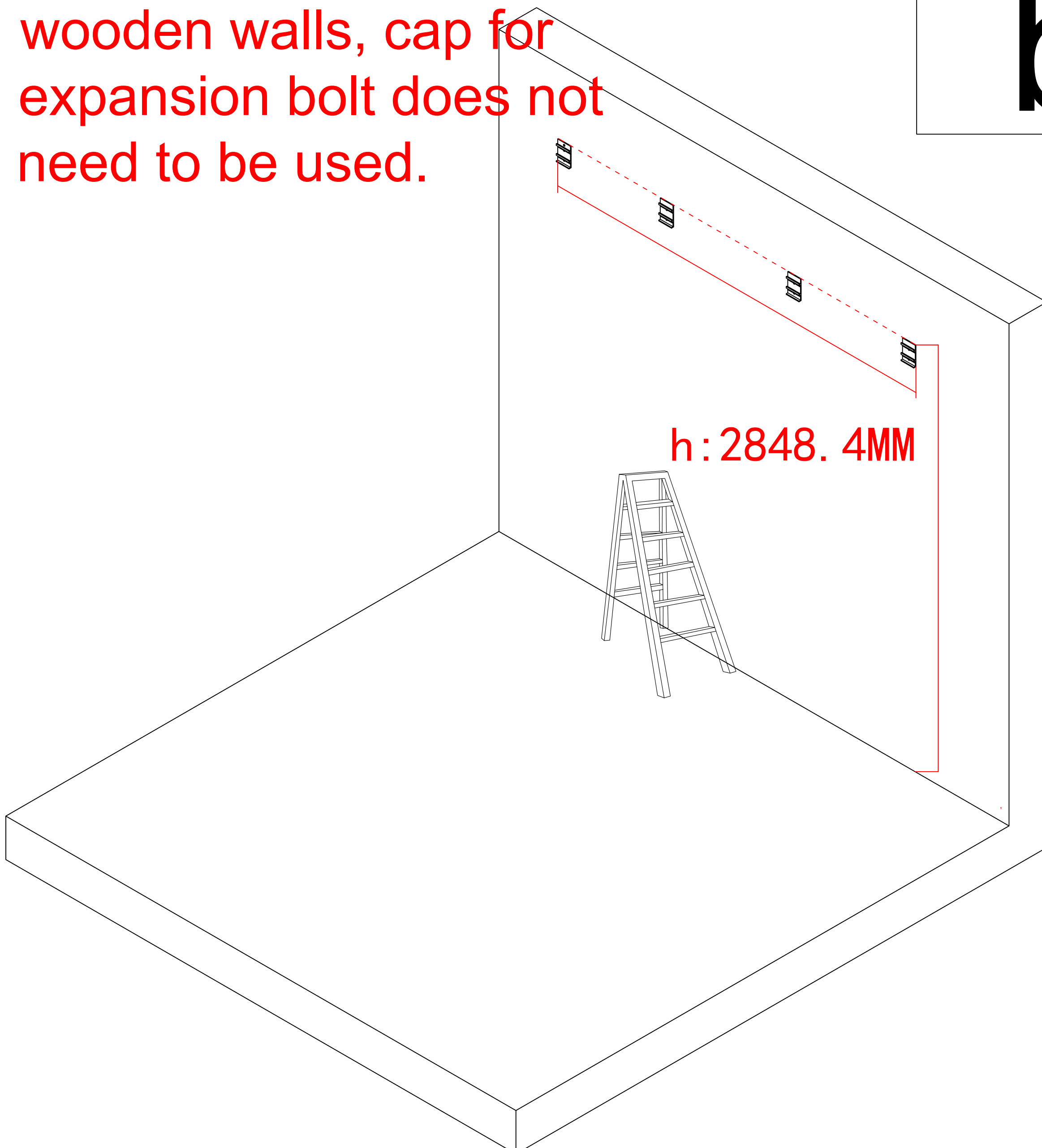
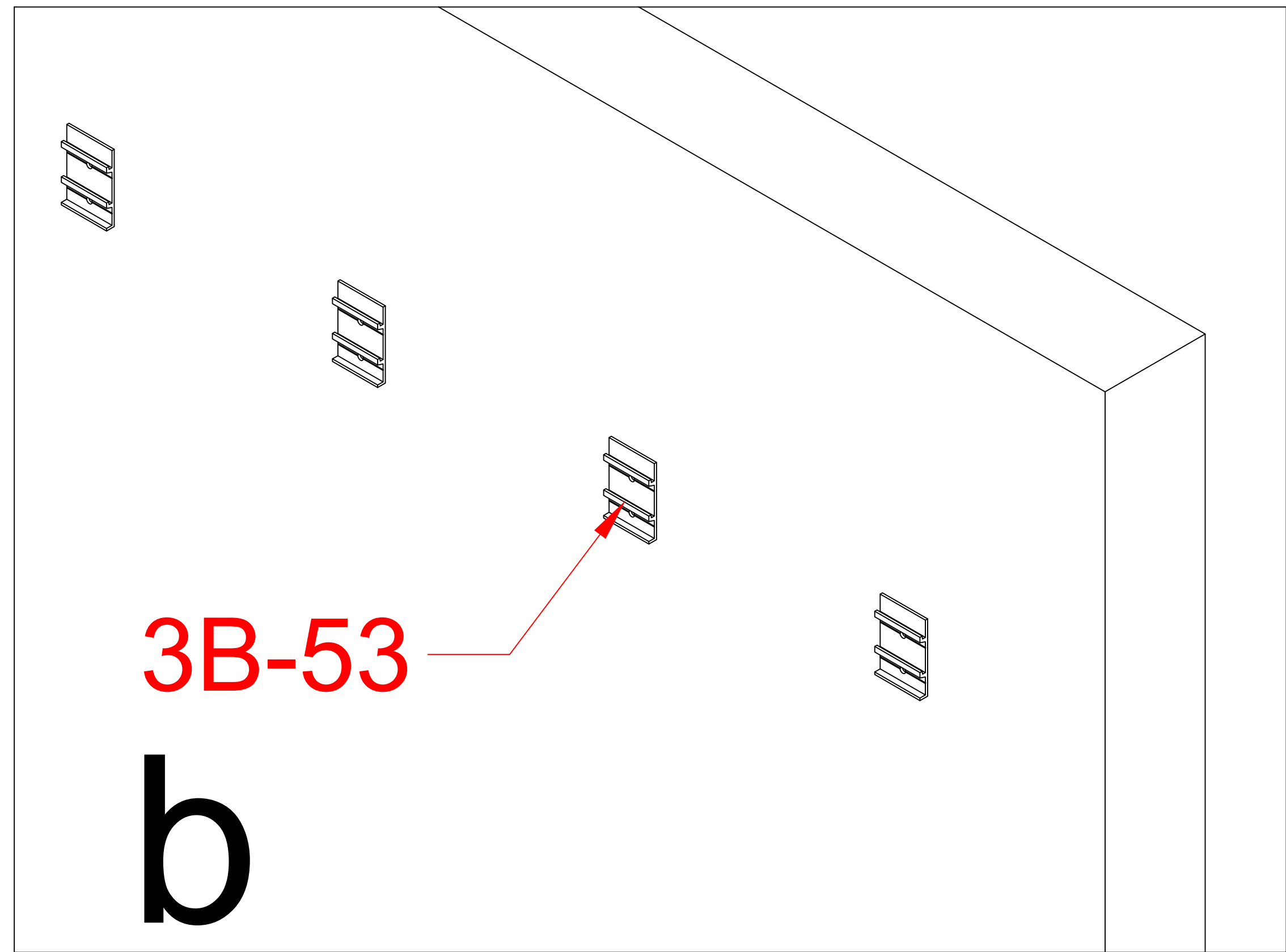
3B-62:

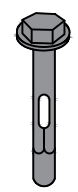

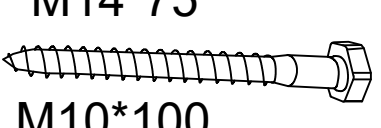
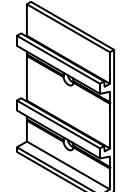


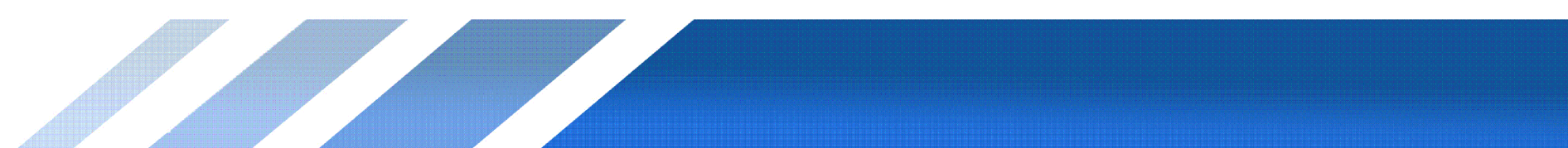
3B-39:



- Attention:**
1. Before installing here, please ensure that the wall is flat
 2. If it is a wooden wall, please use 3B-62, and if it is the Cement wall, please use 3B-39
 3. When installing on wooden walls, cap for expansion bolt does not need to be used.

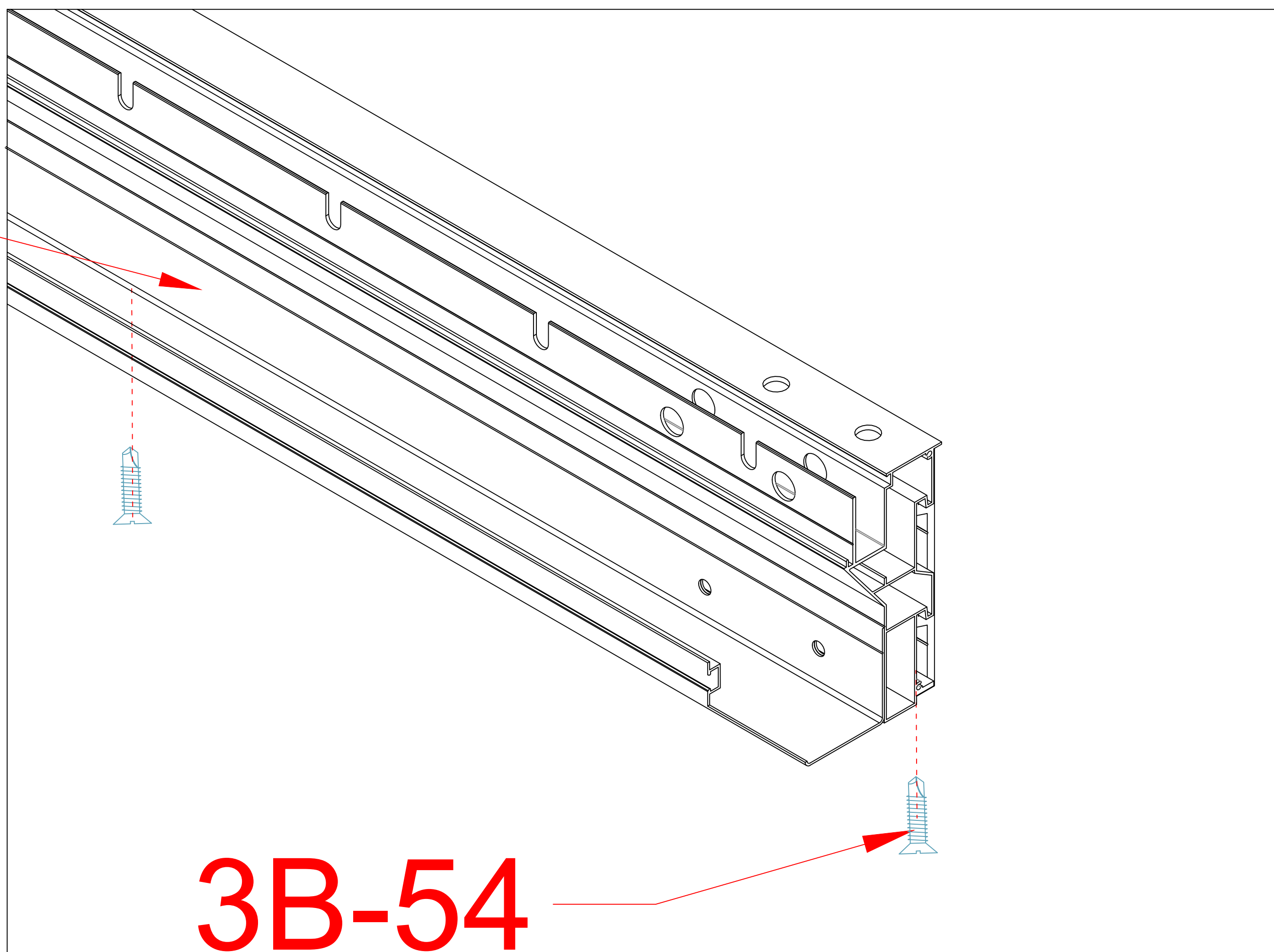


3B-39	 M8*100	8
3B-62	 M14*75  M10*100	8
3B-53		4

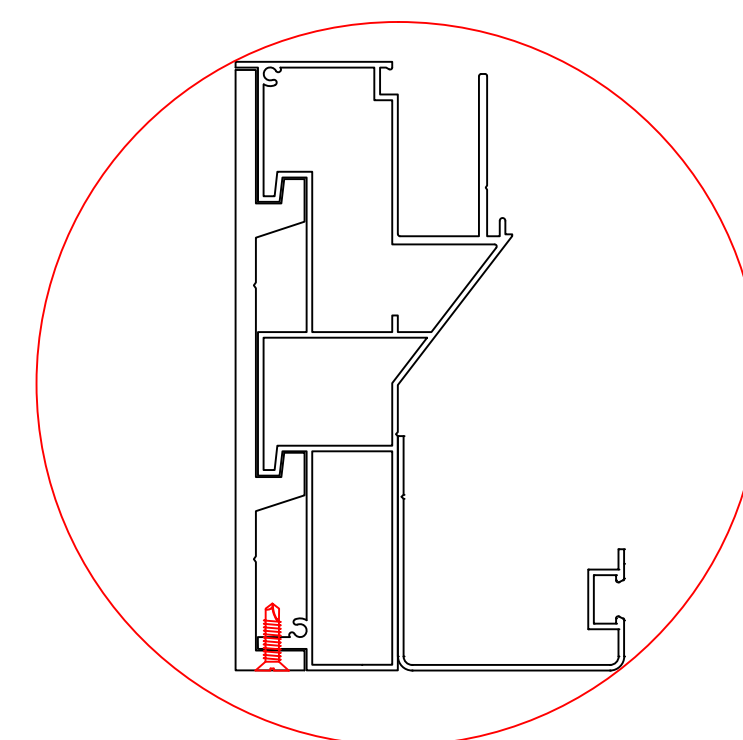




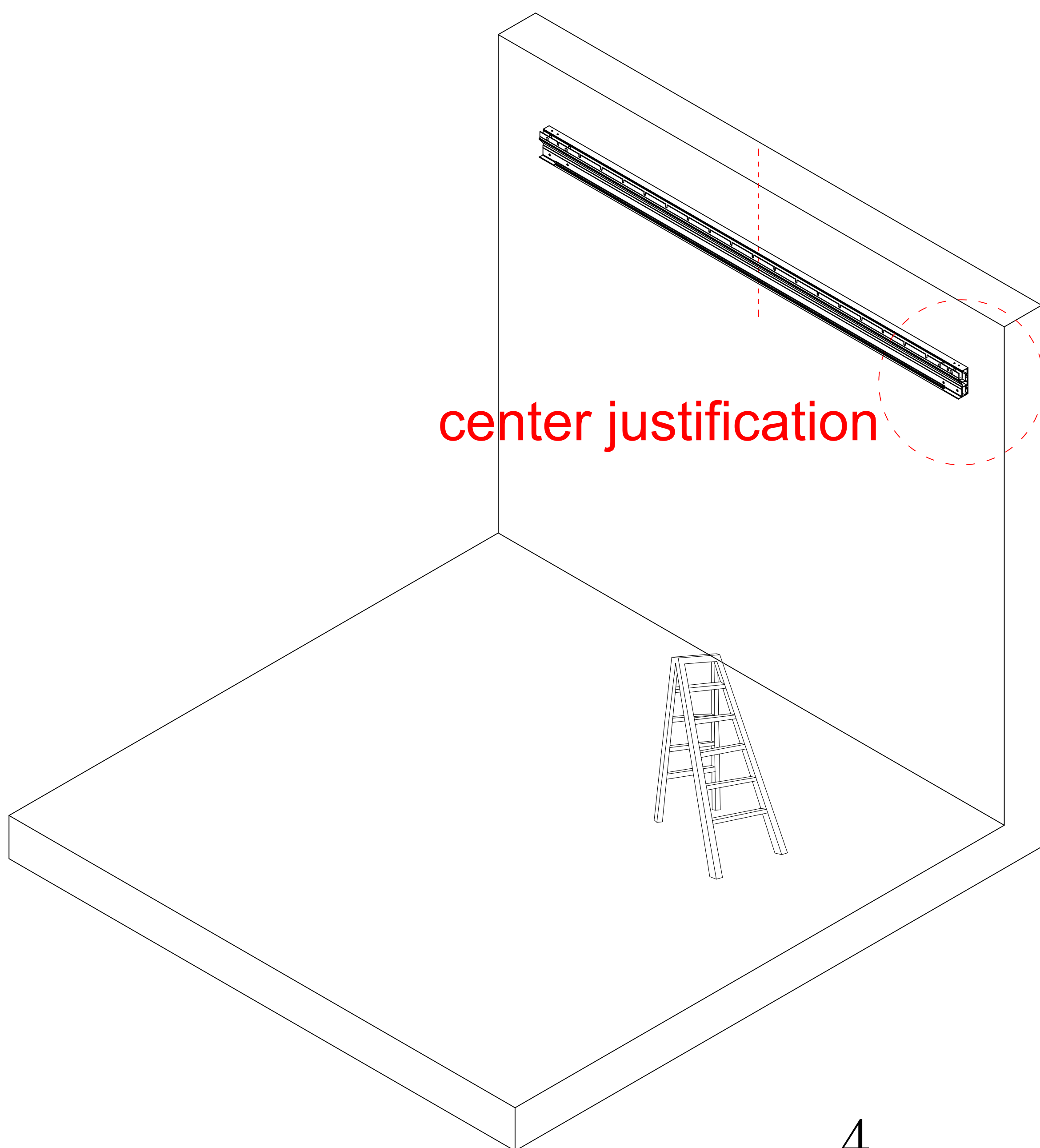
3B-02

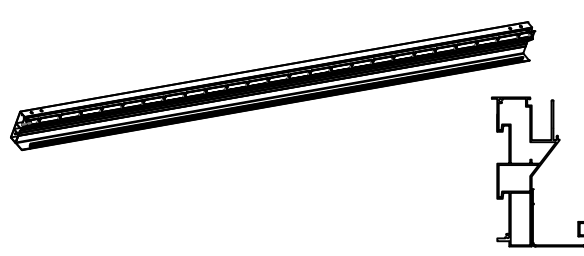
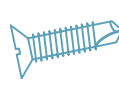


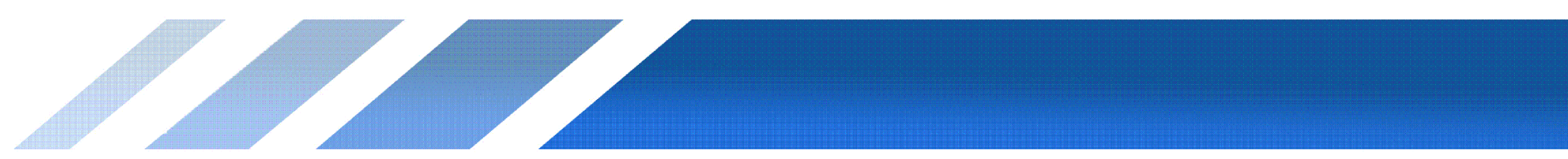
3B-54

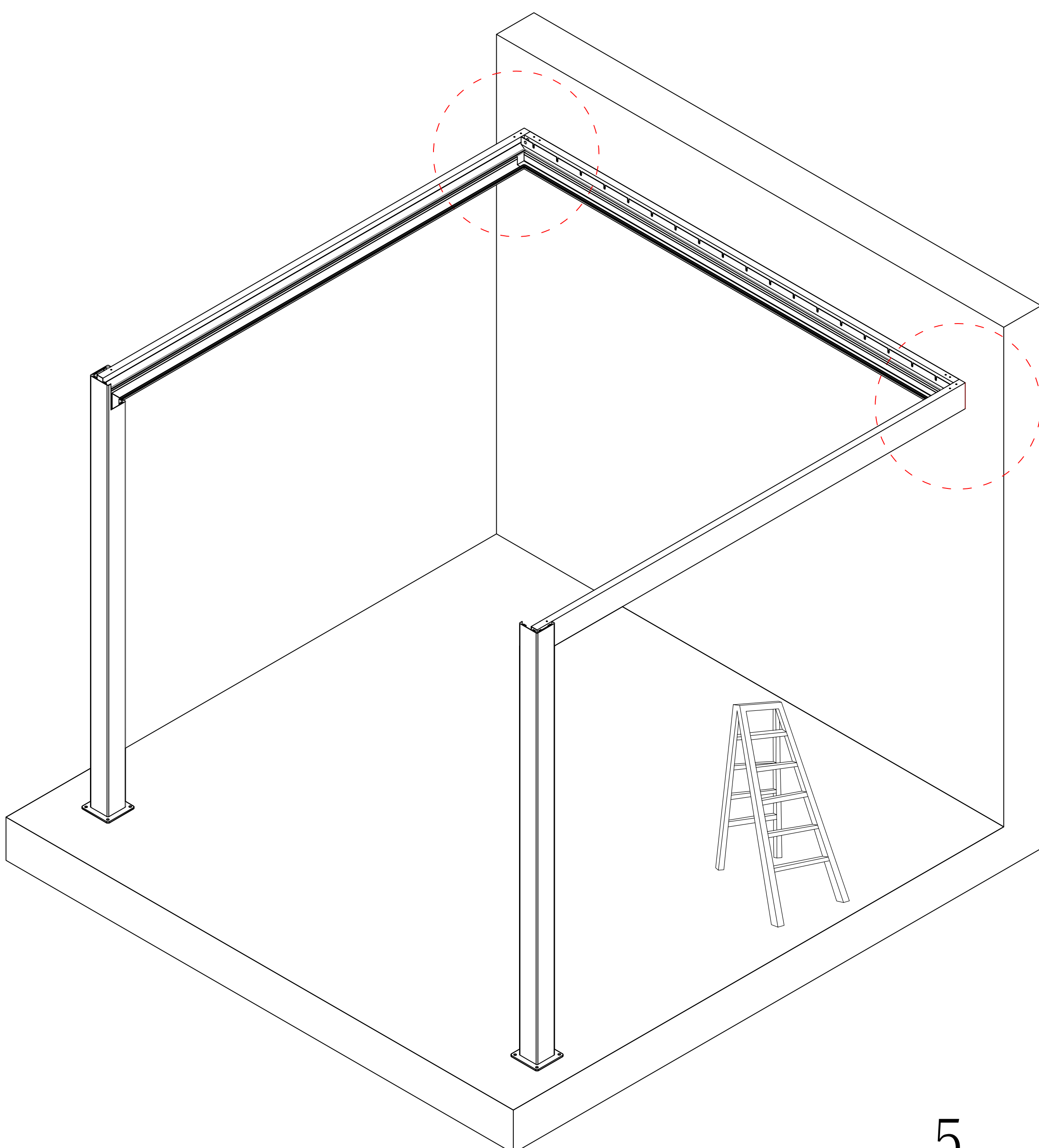
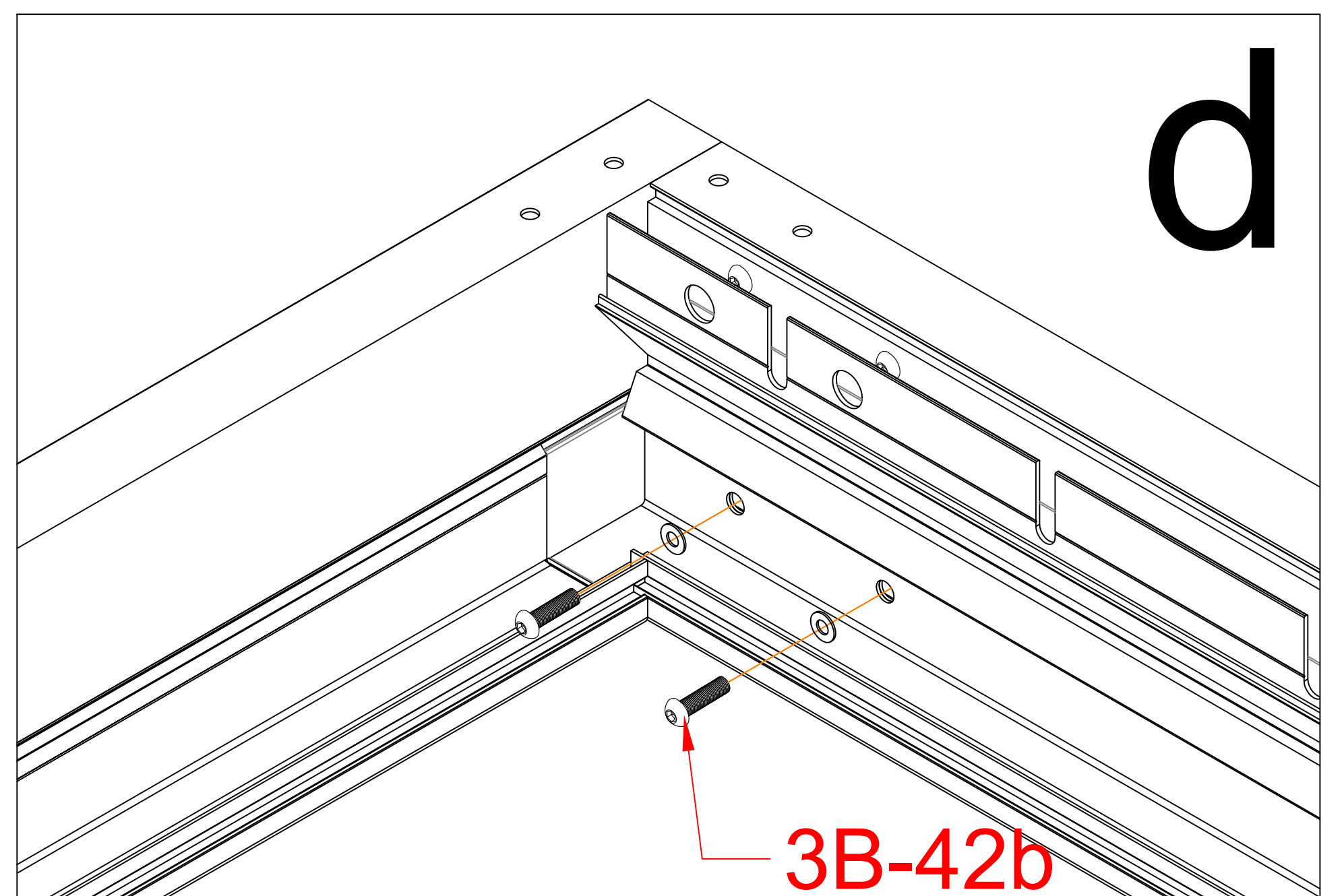
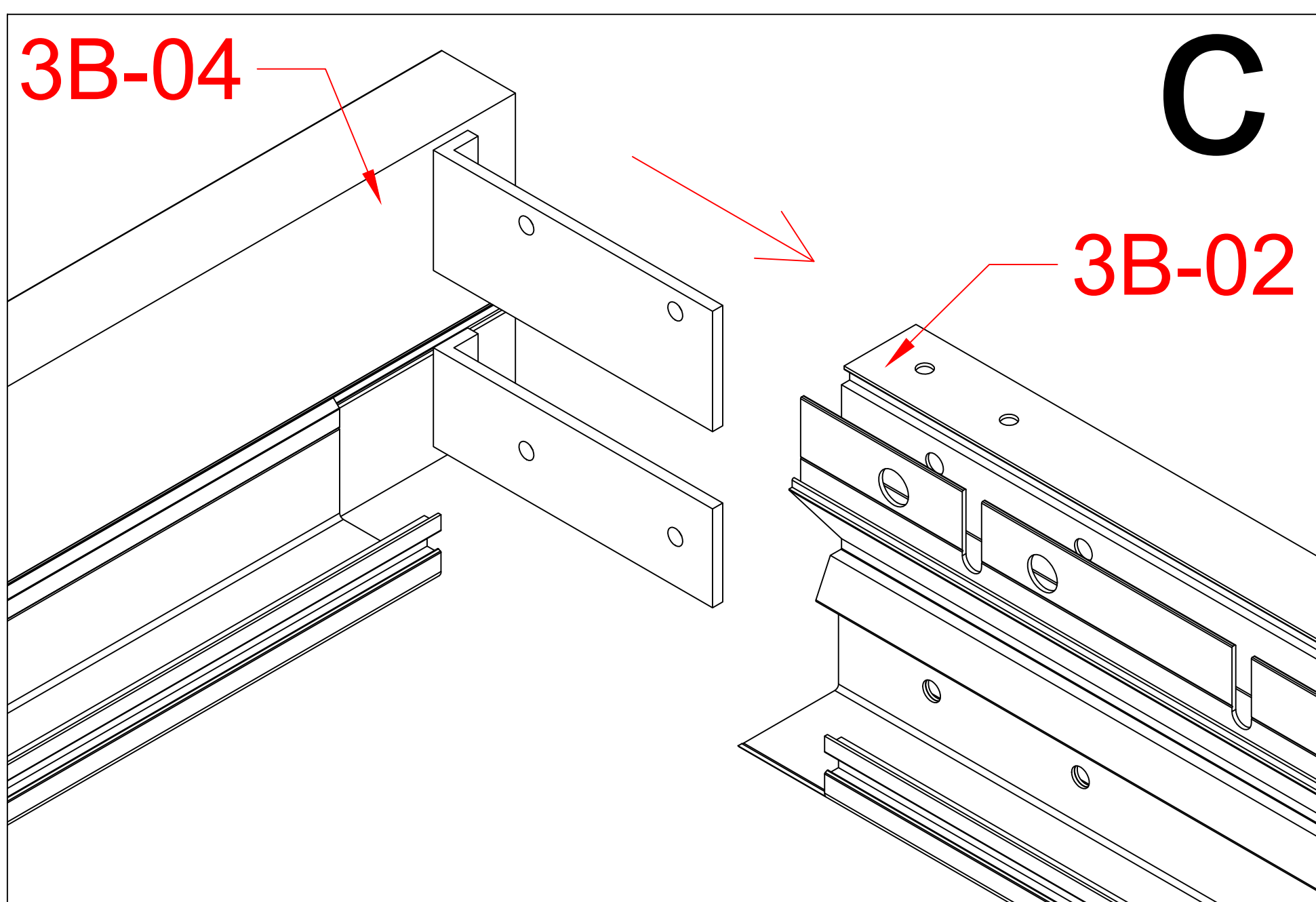
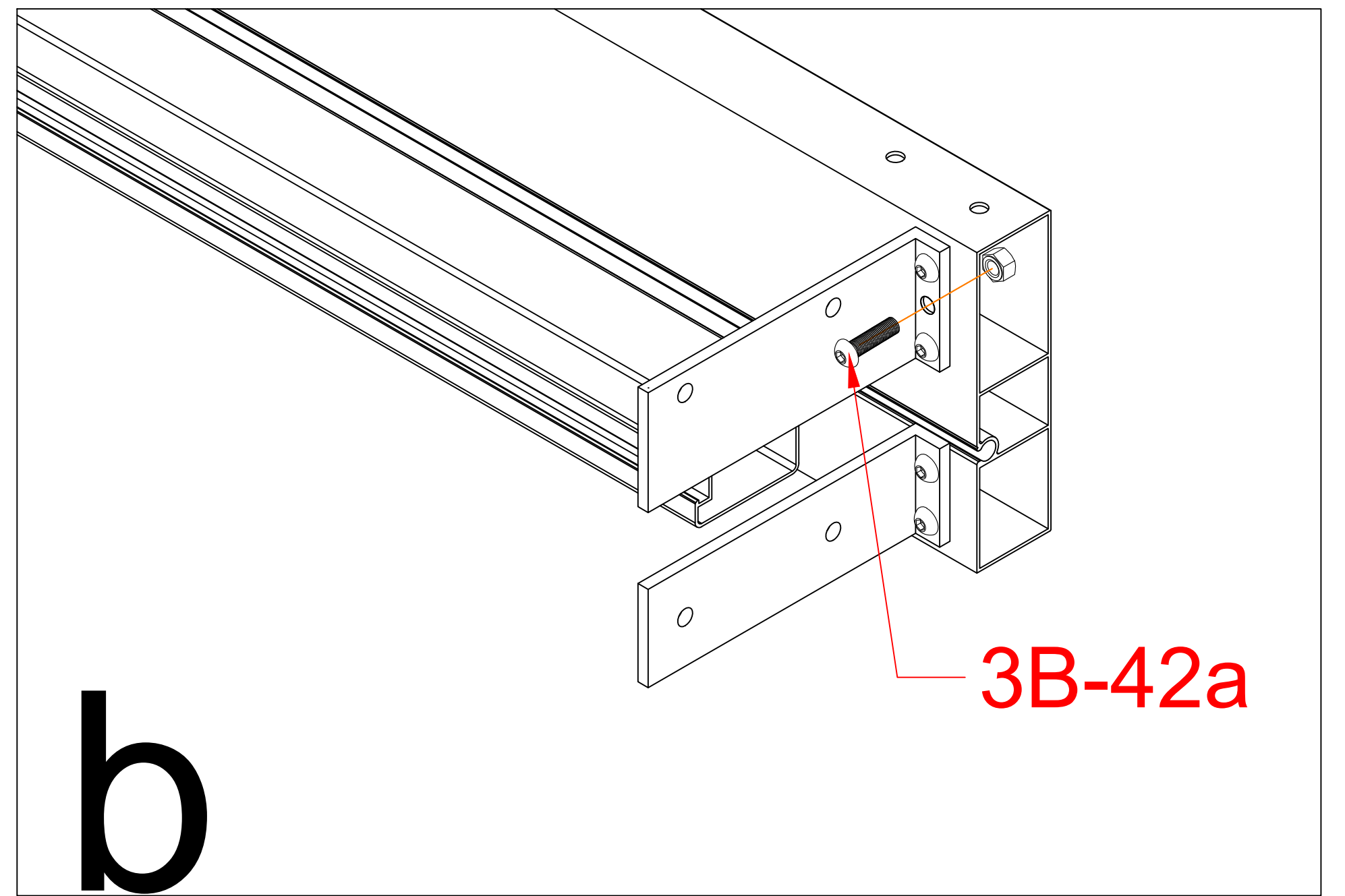
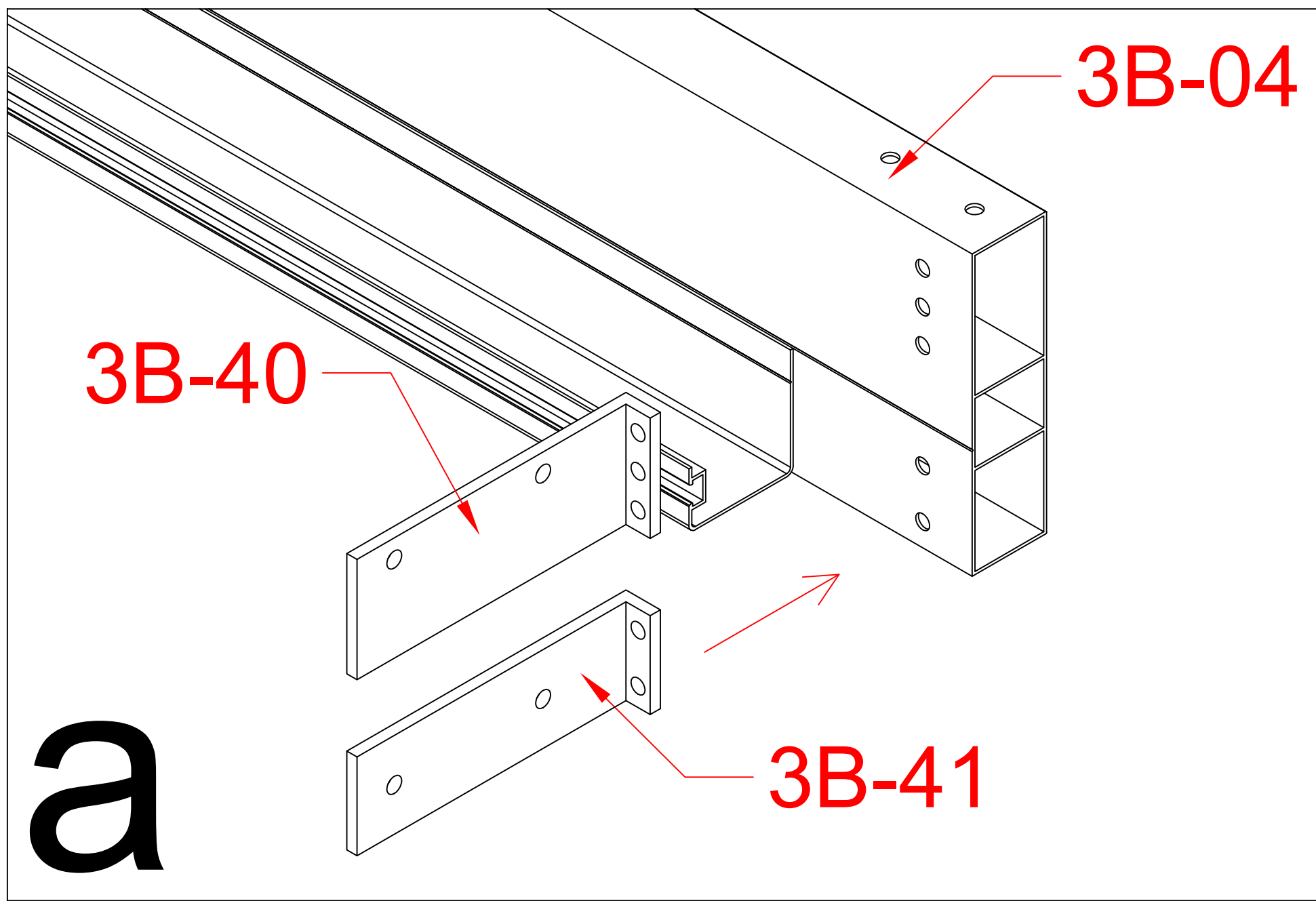


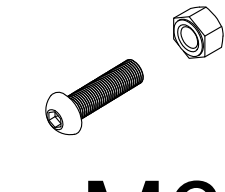
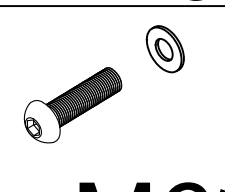
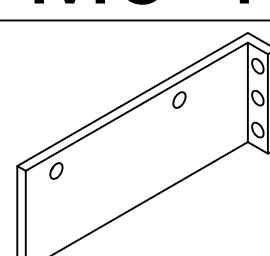
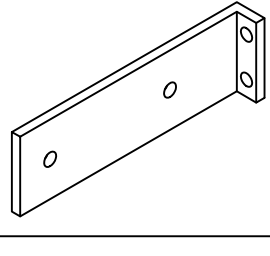
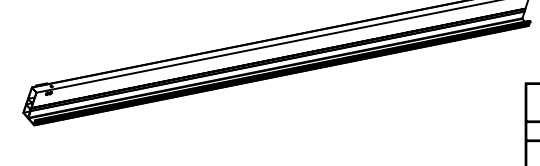
center justification

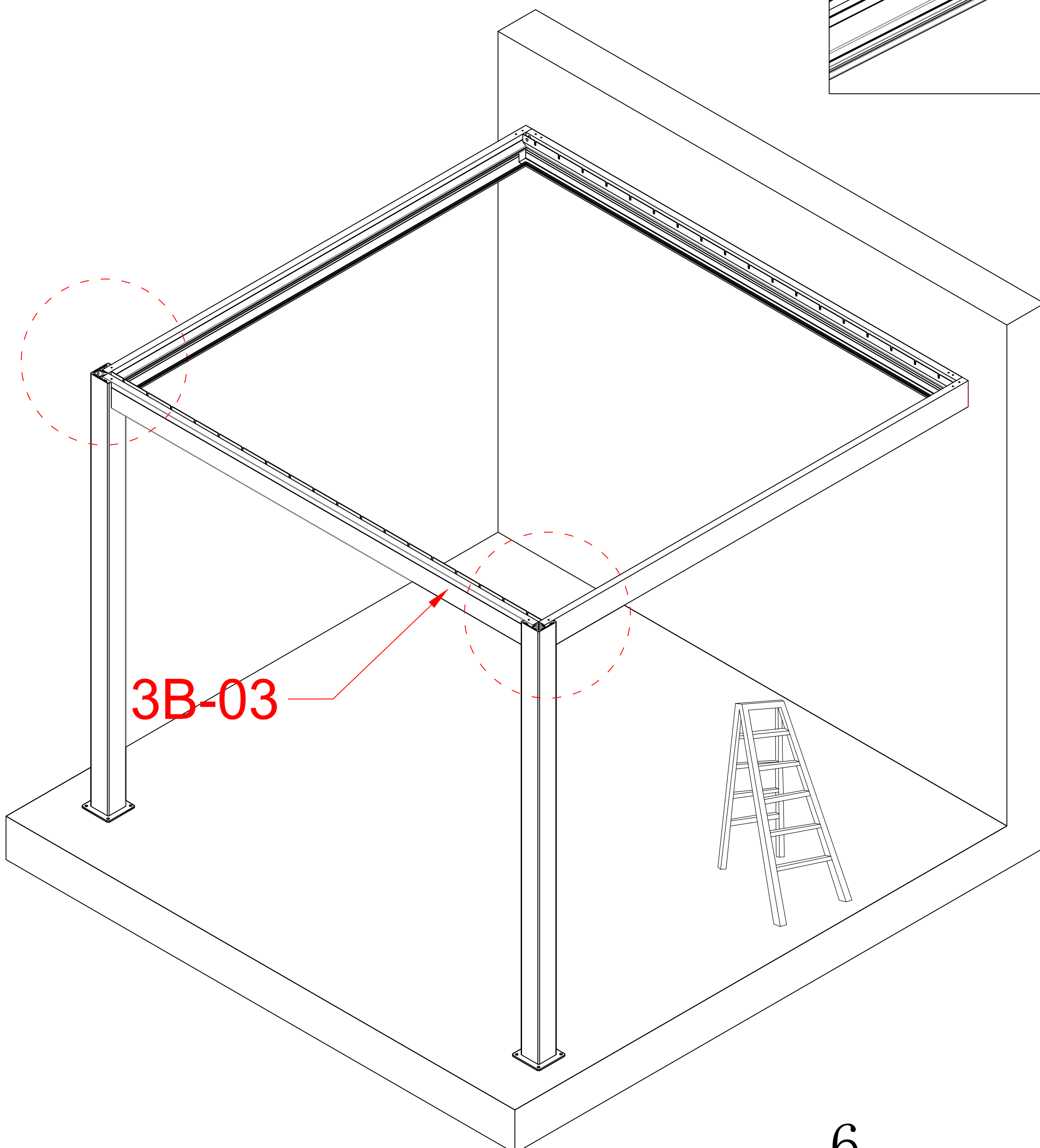
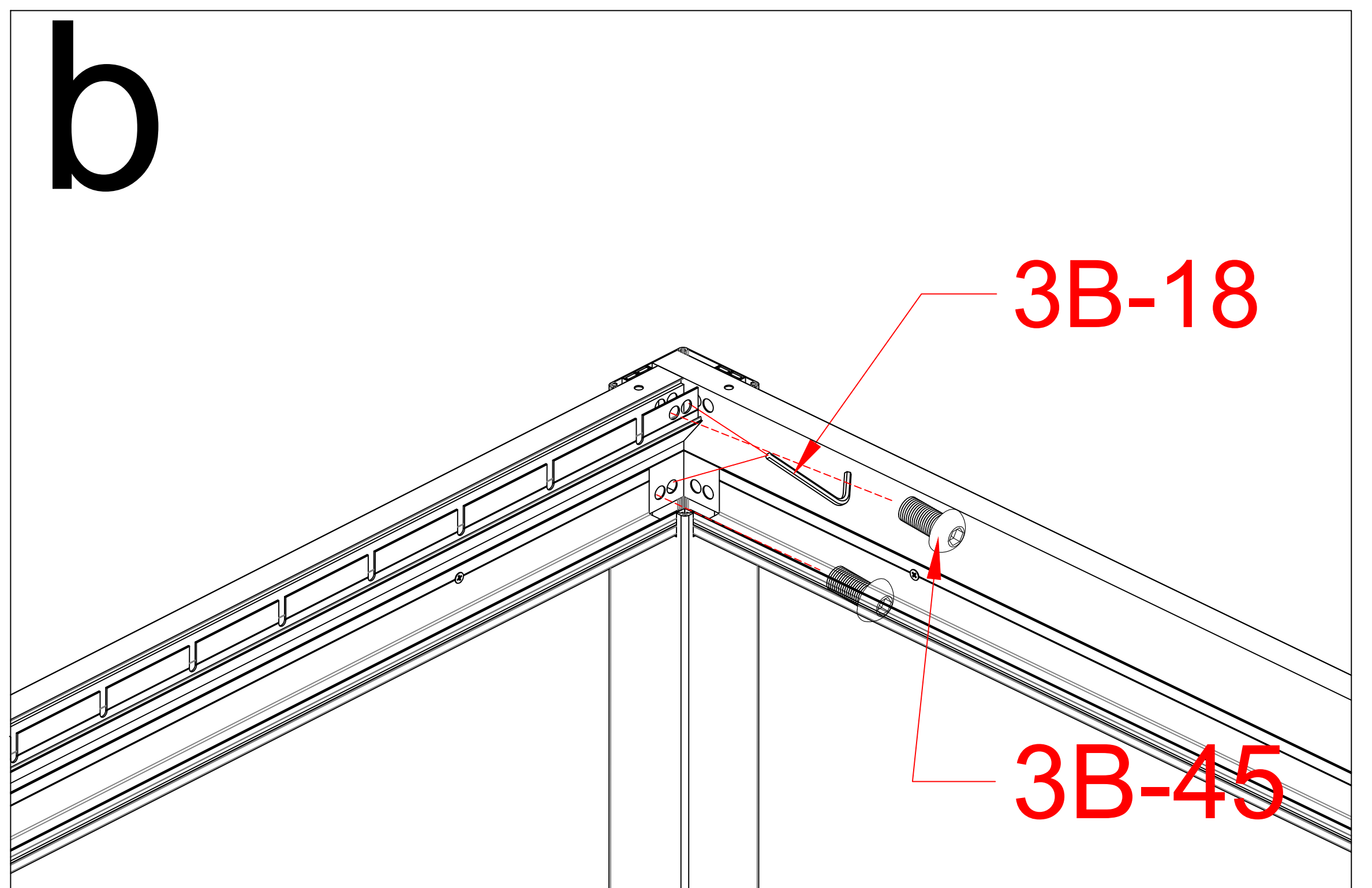
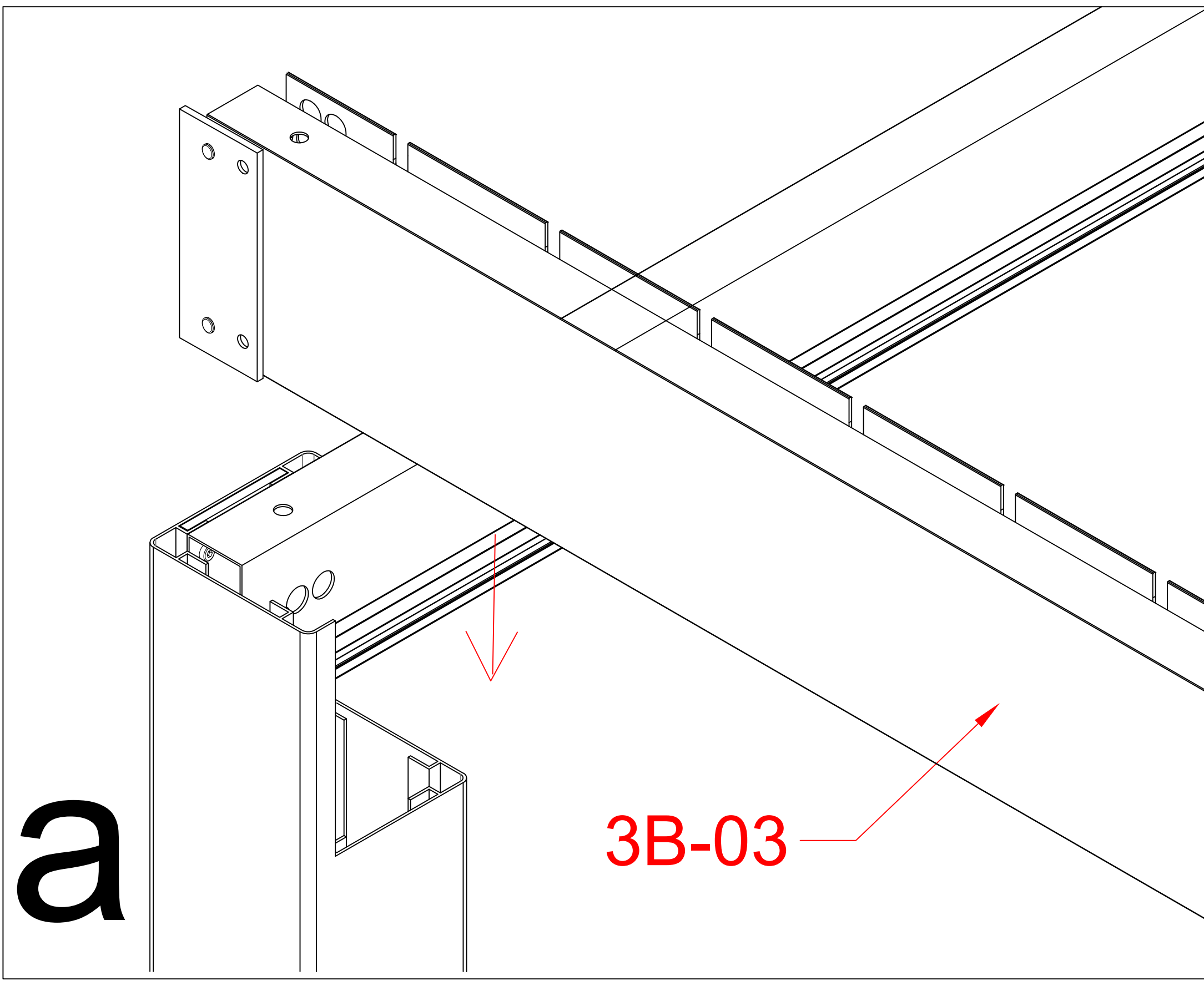


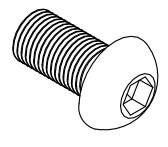
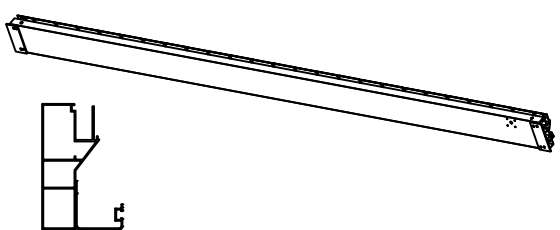
3B-02		1
3B-54	 M4.2*25	4





3B-42a	 M6*16	10
3B-42b	 M6*16 P	8
3B-40		2
3B-41		2
3B-04		2

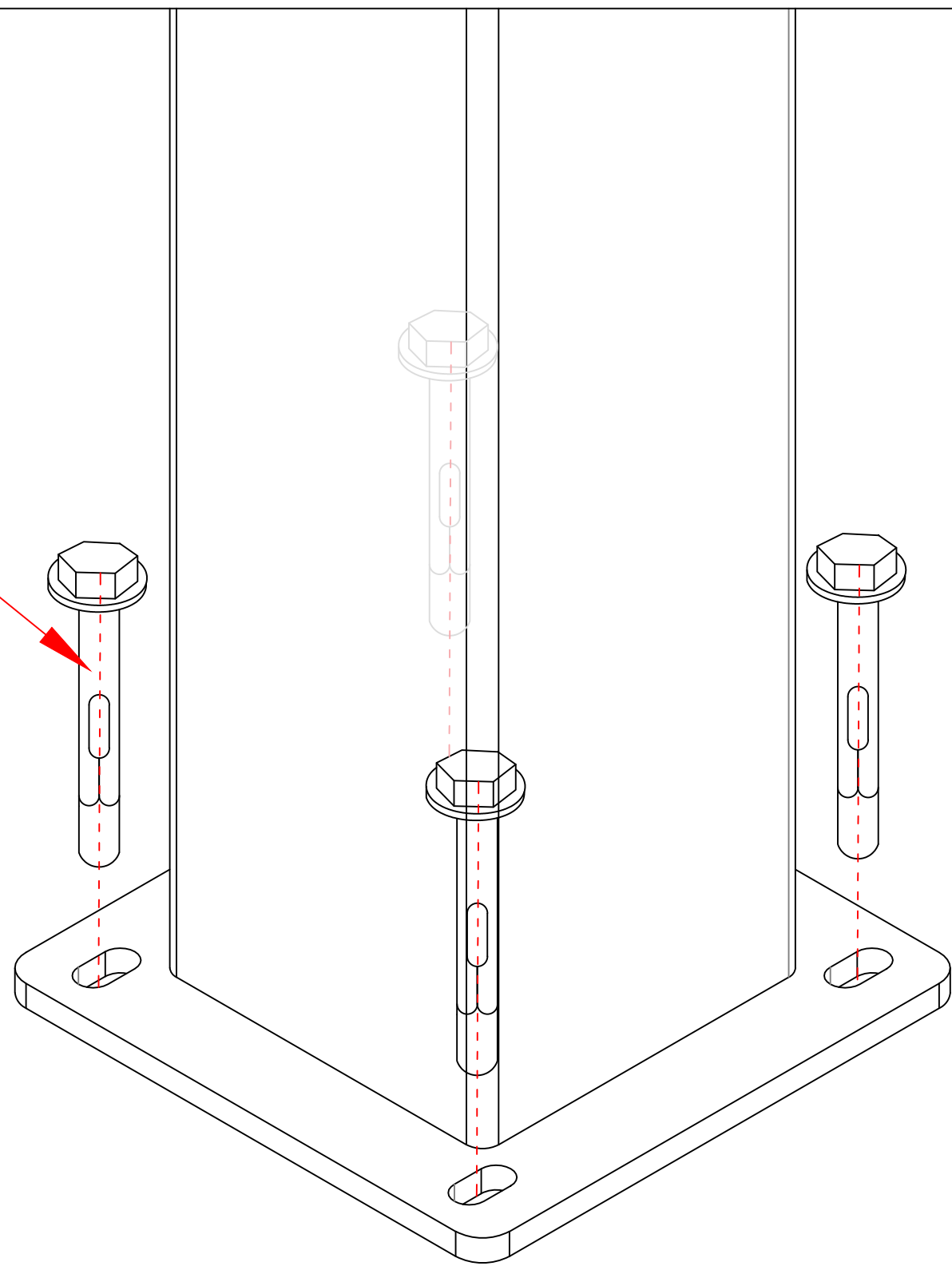


3B-45	 M8*10	4
3B-02		1

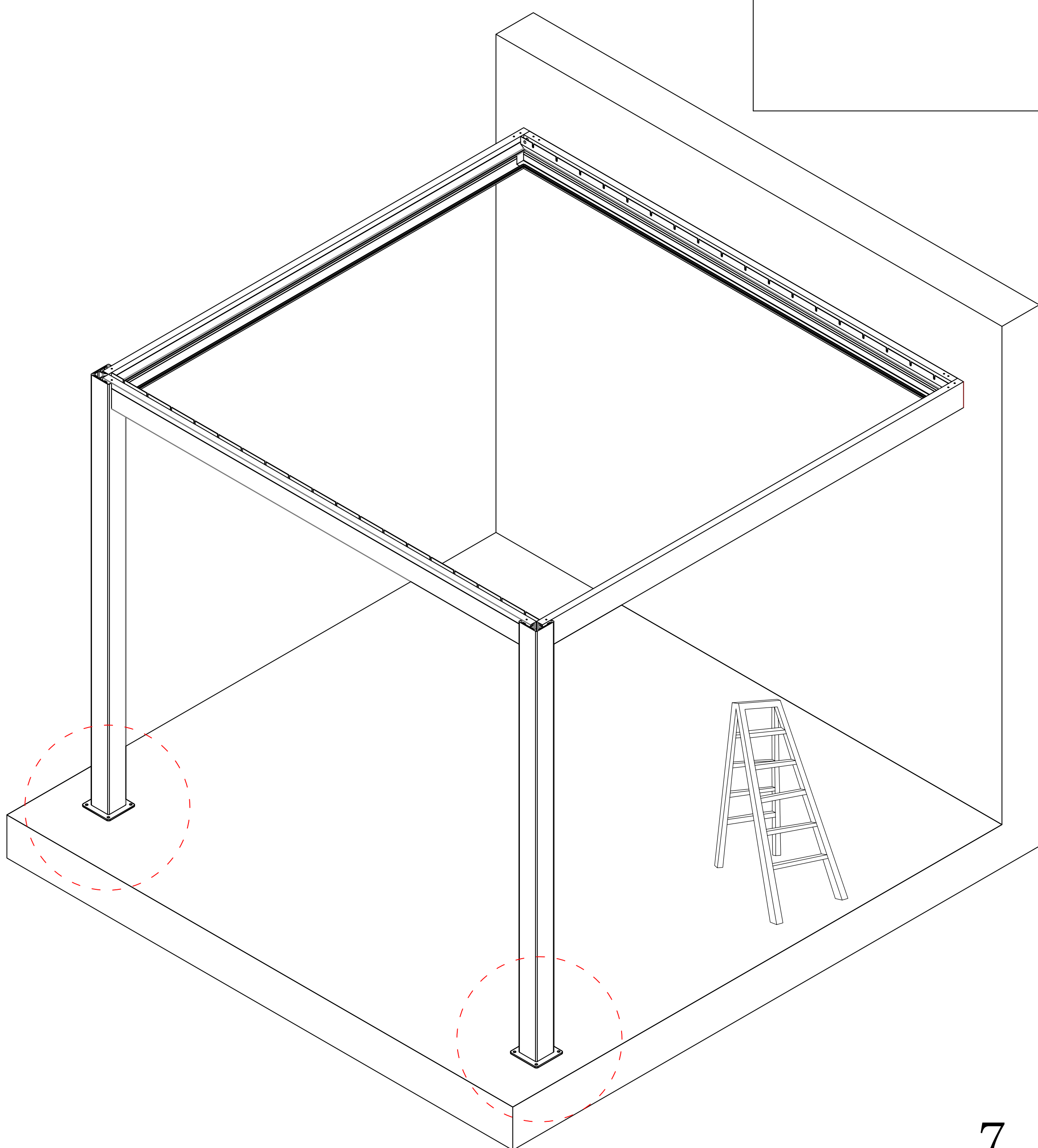
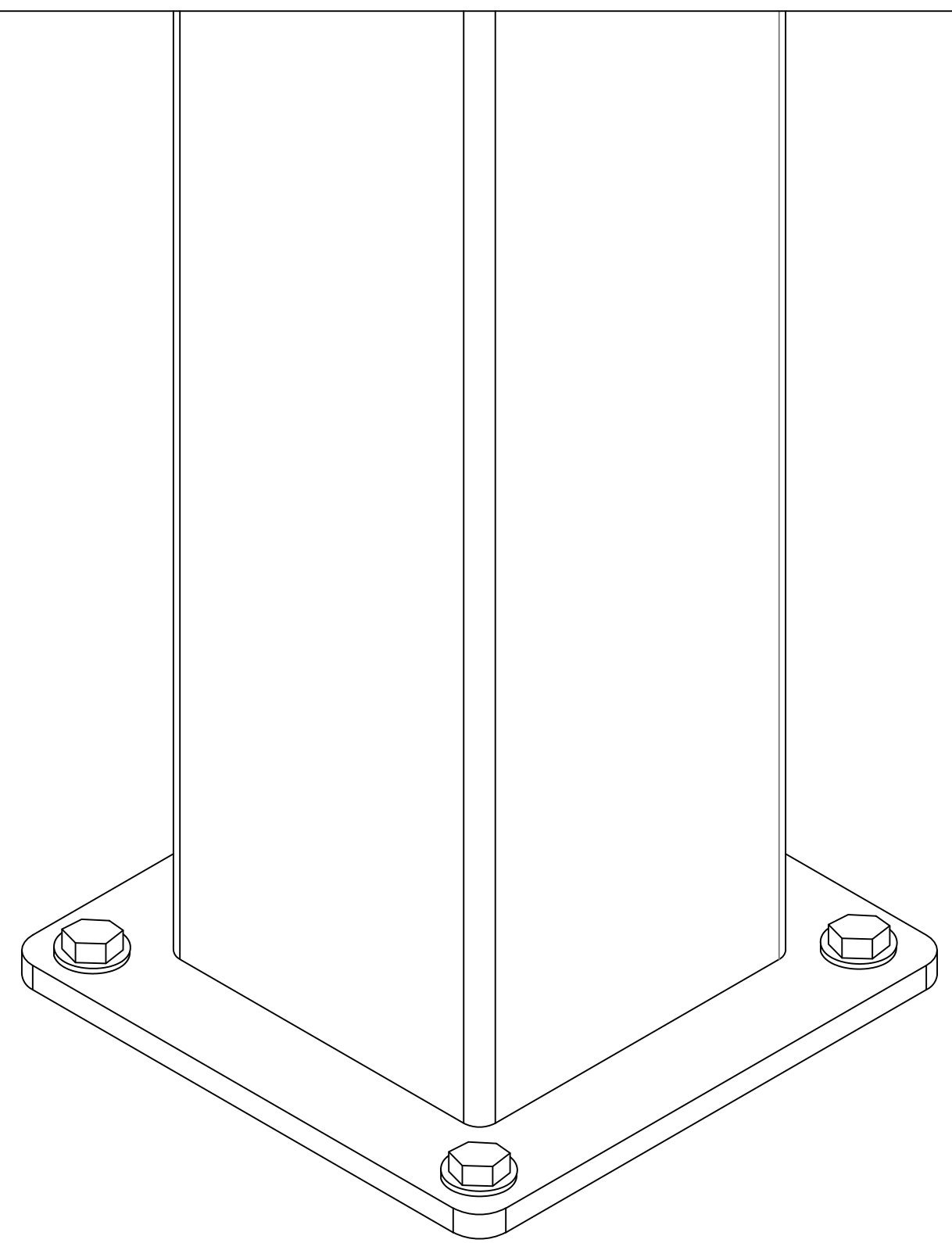


a

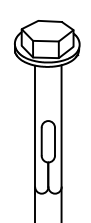
3B-21



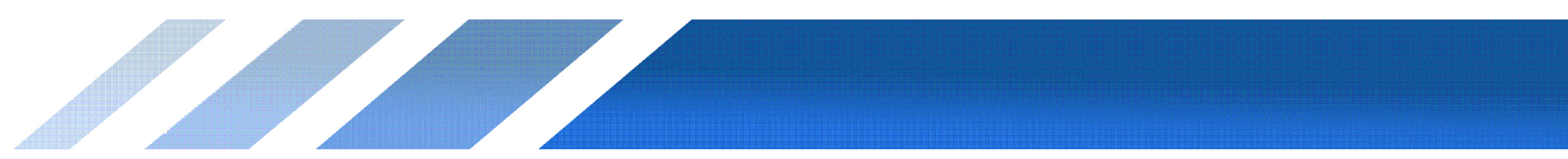
b

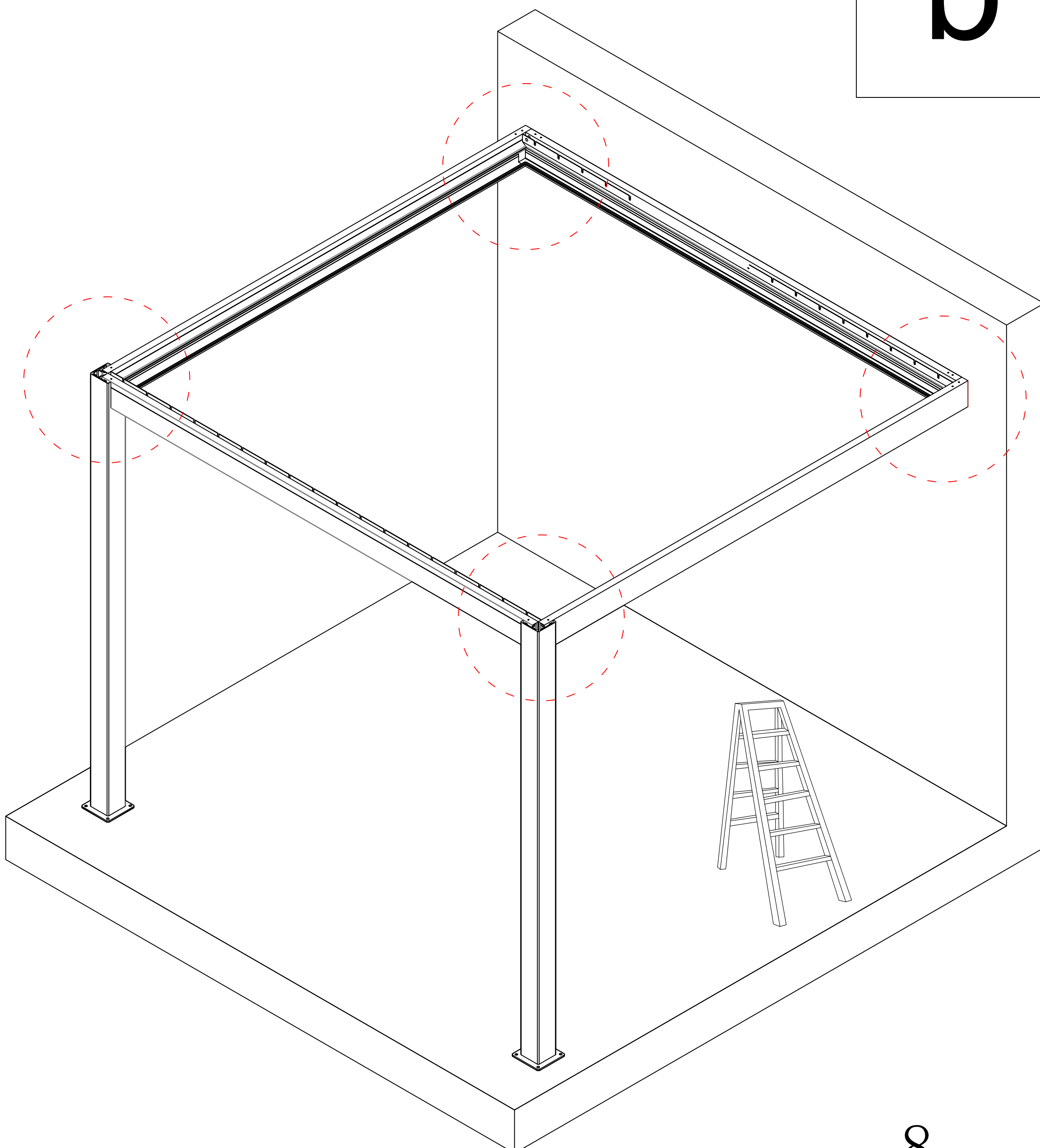
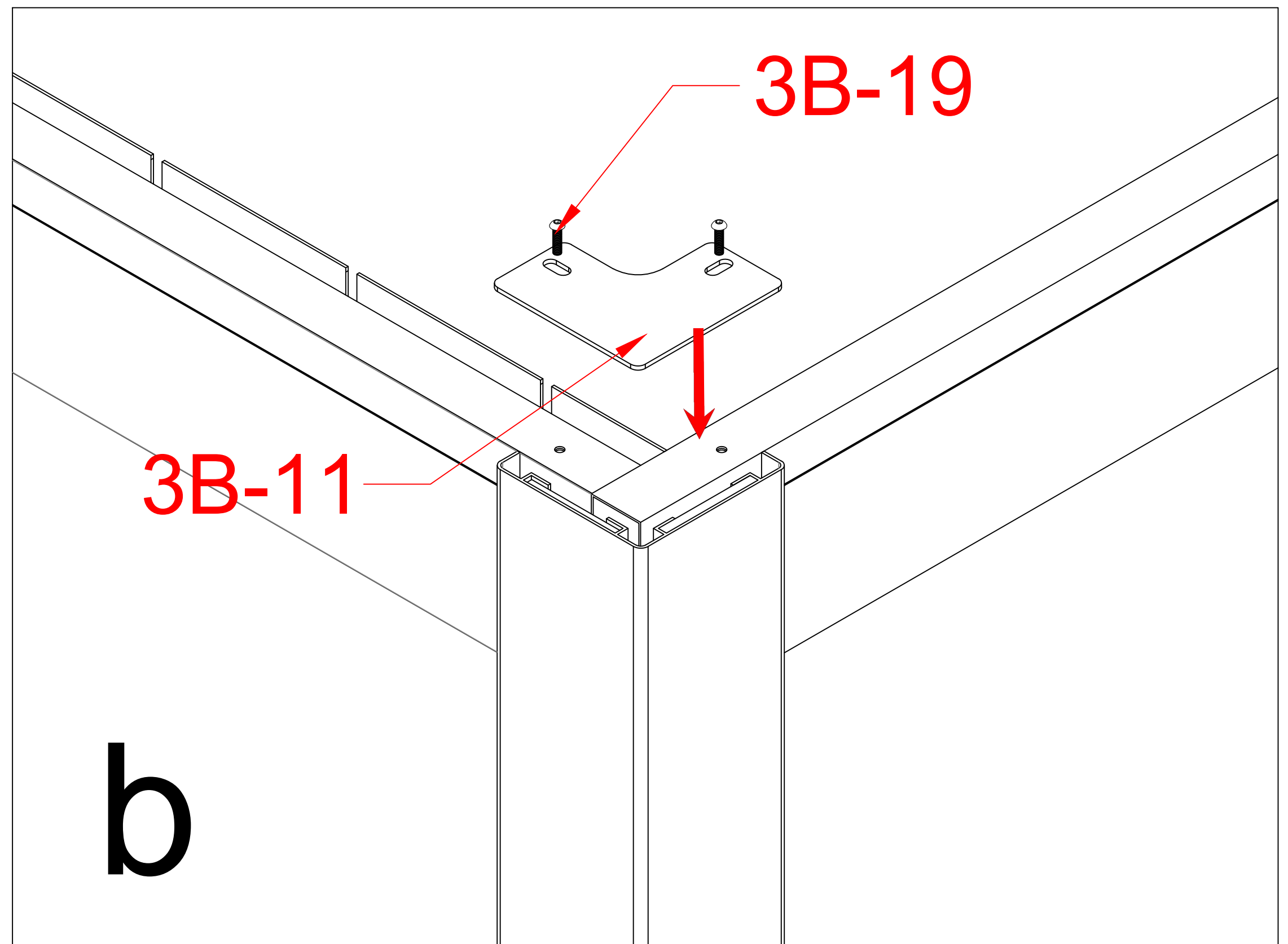
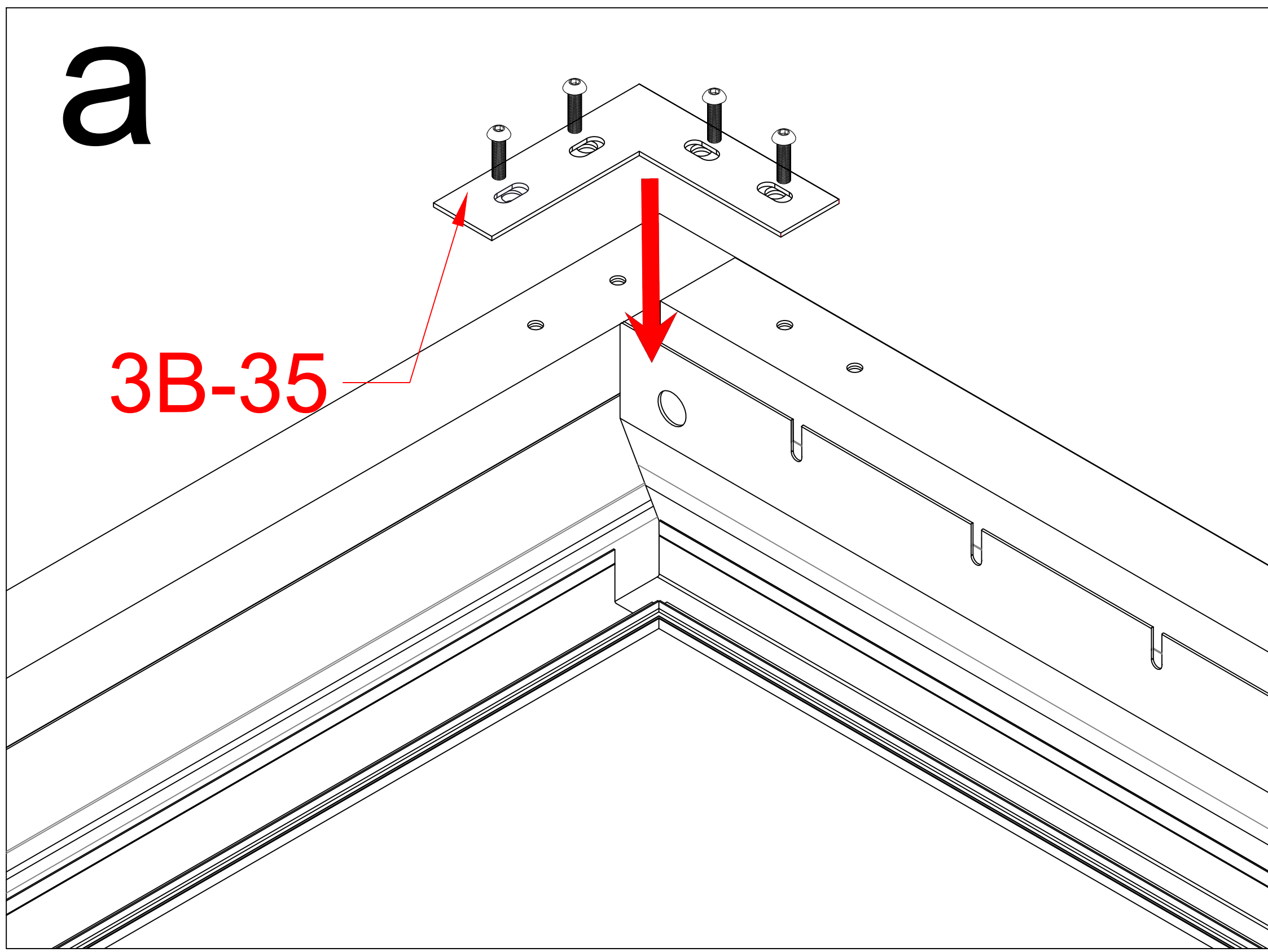


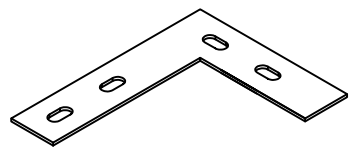
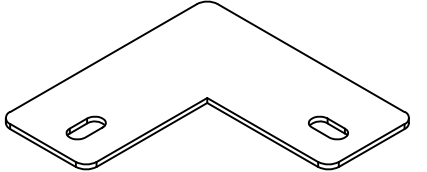
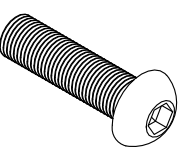
3B-21

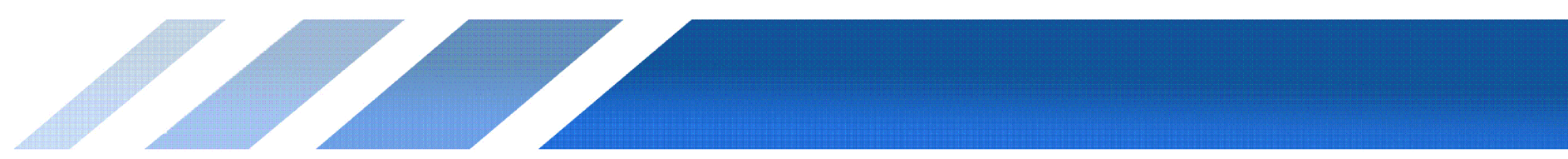


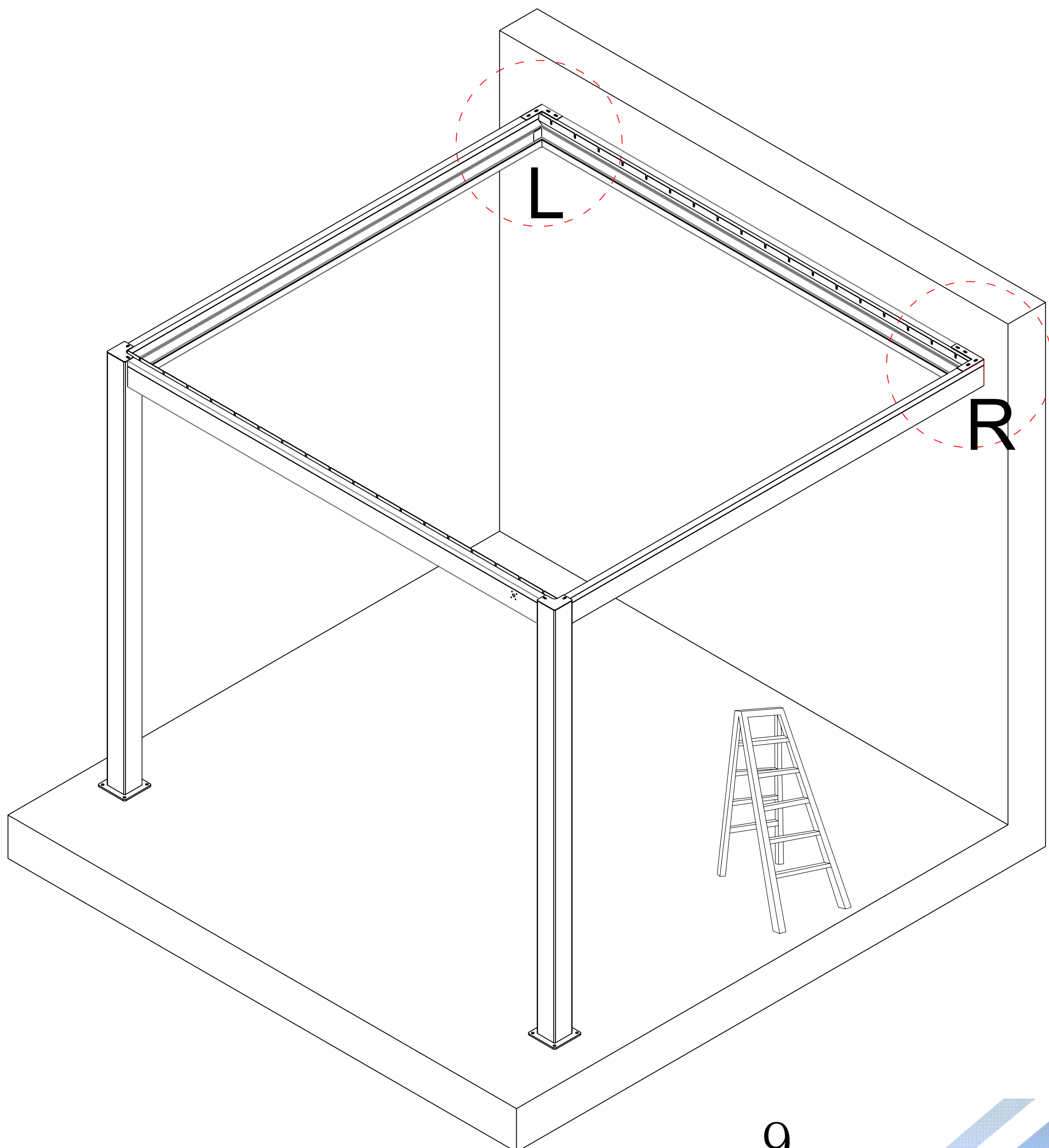
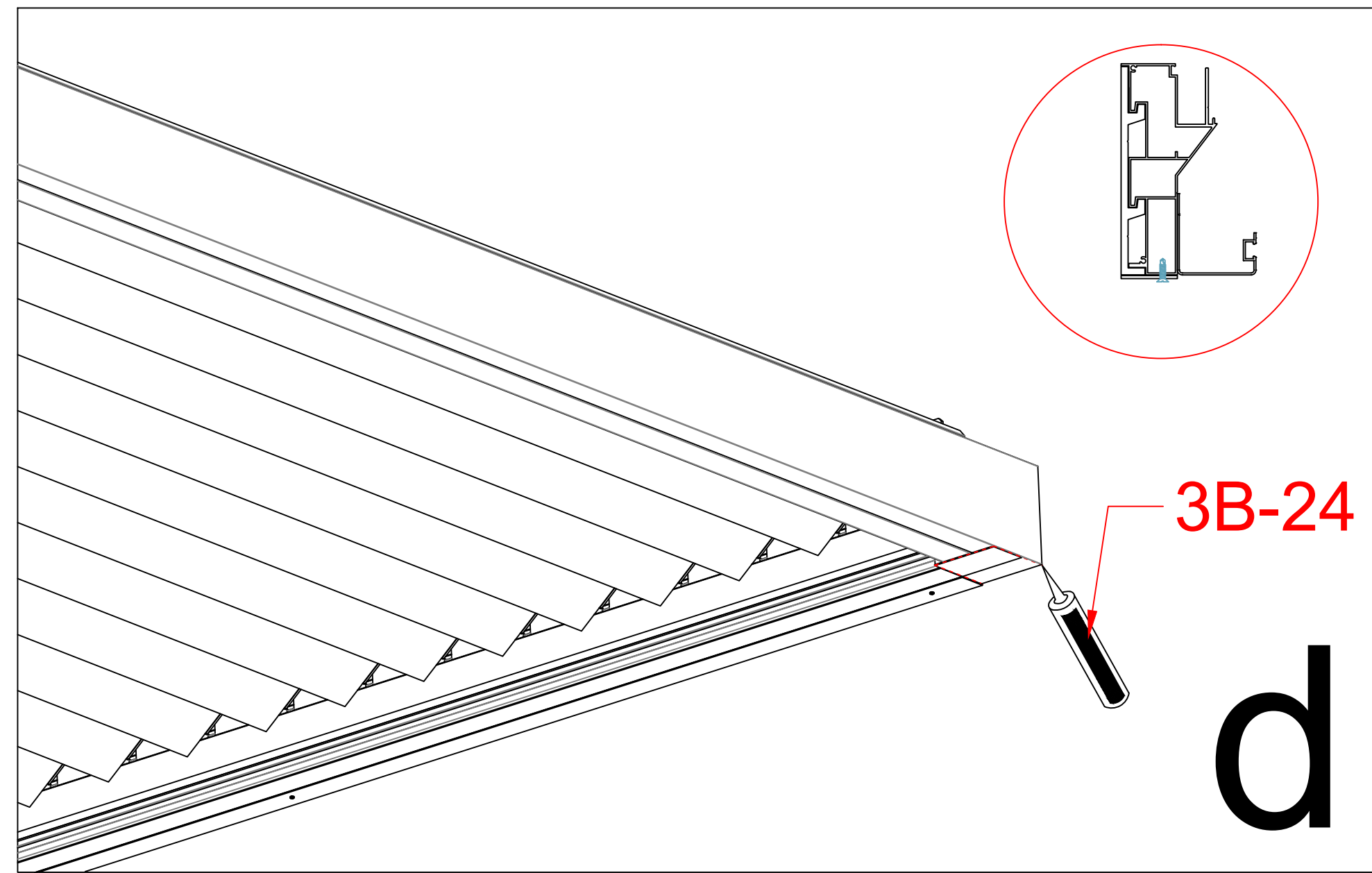
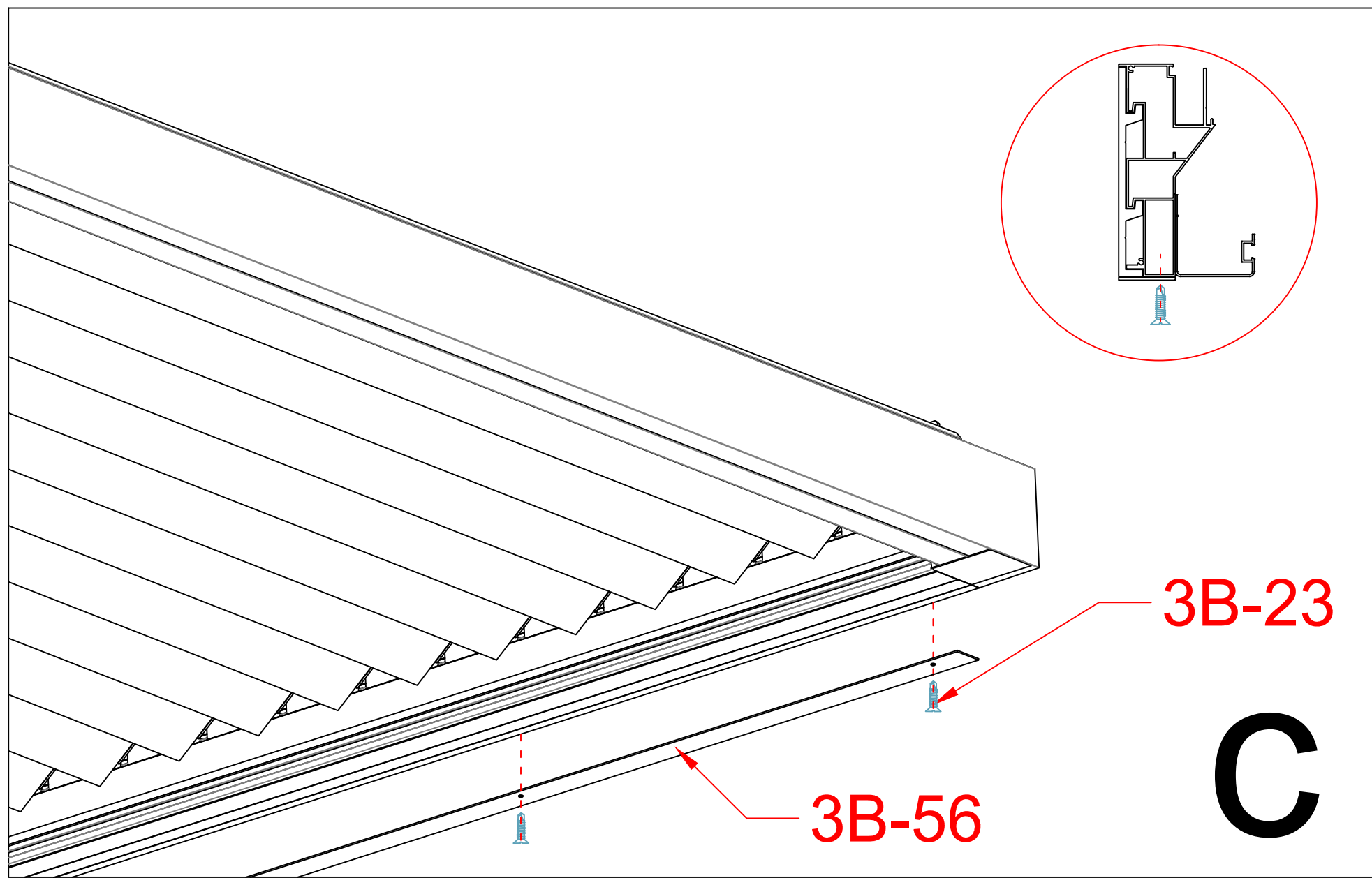
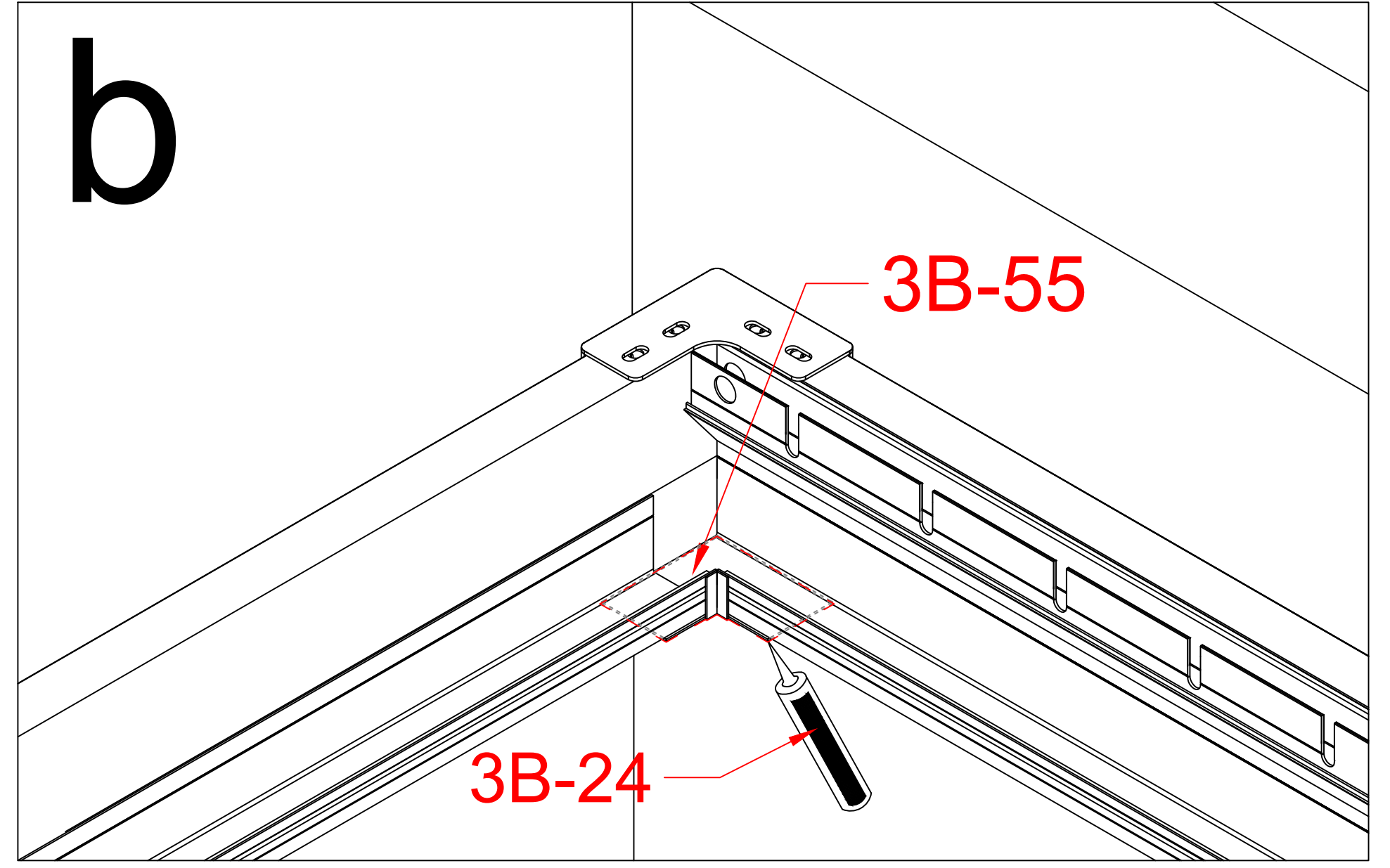
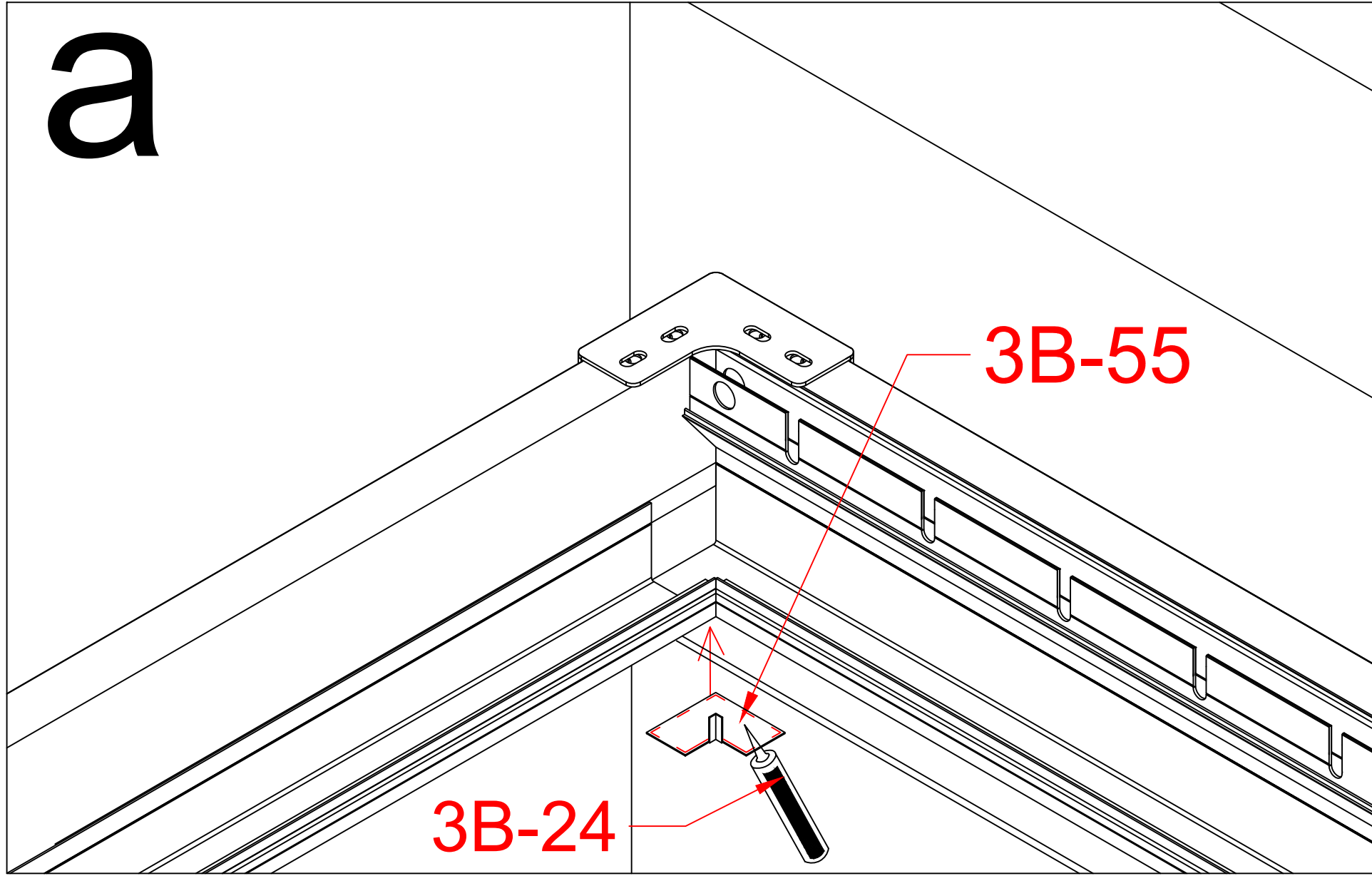
8



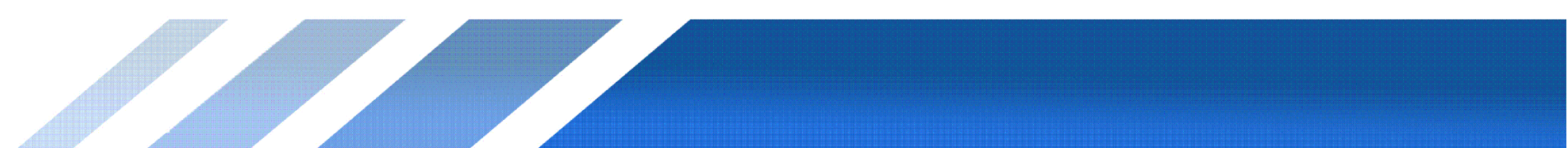


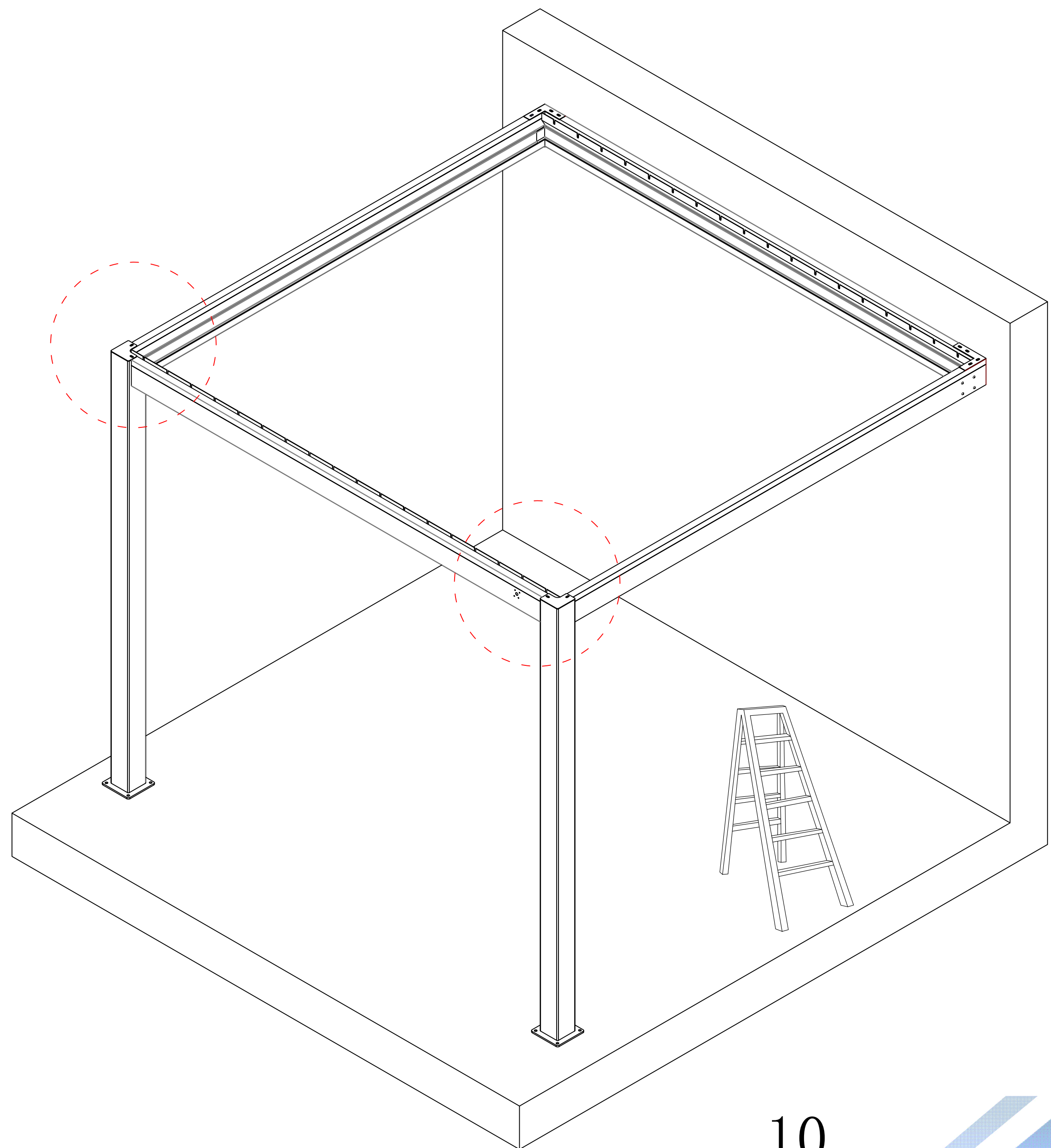
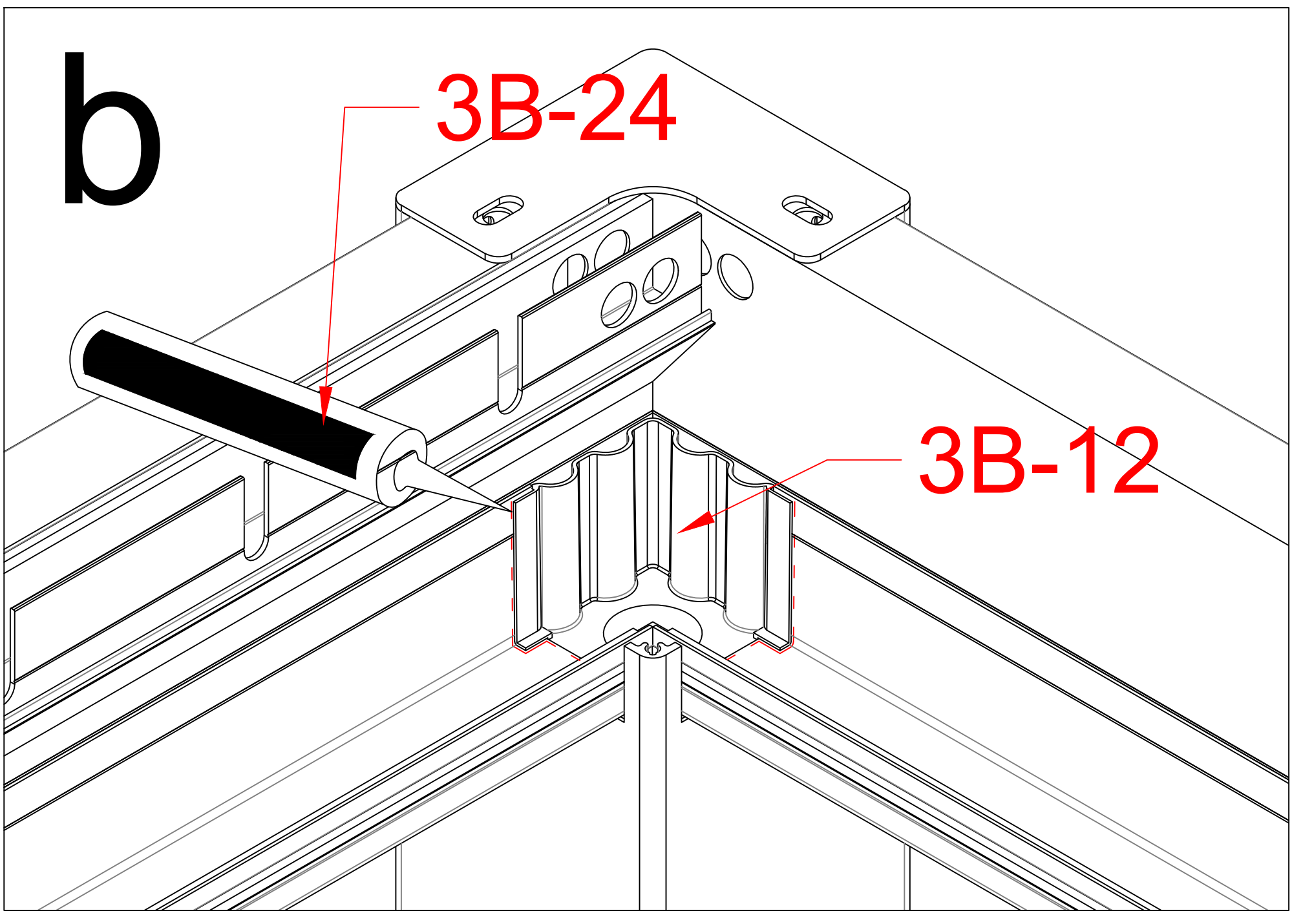
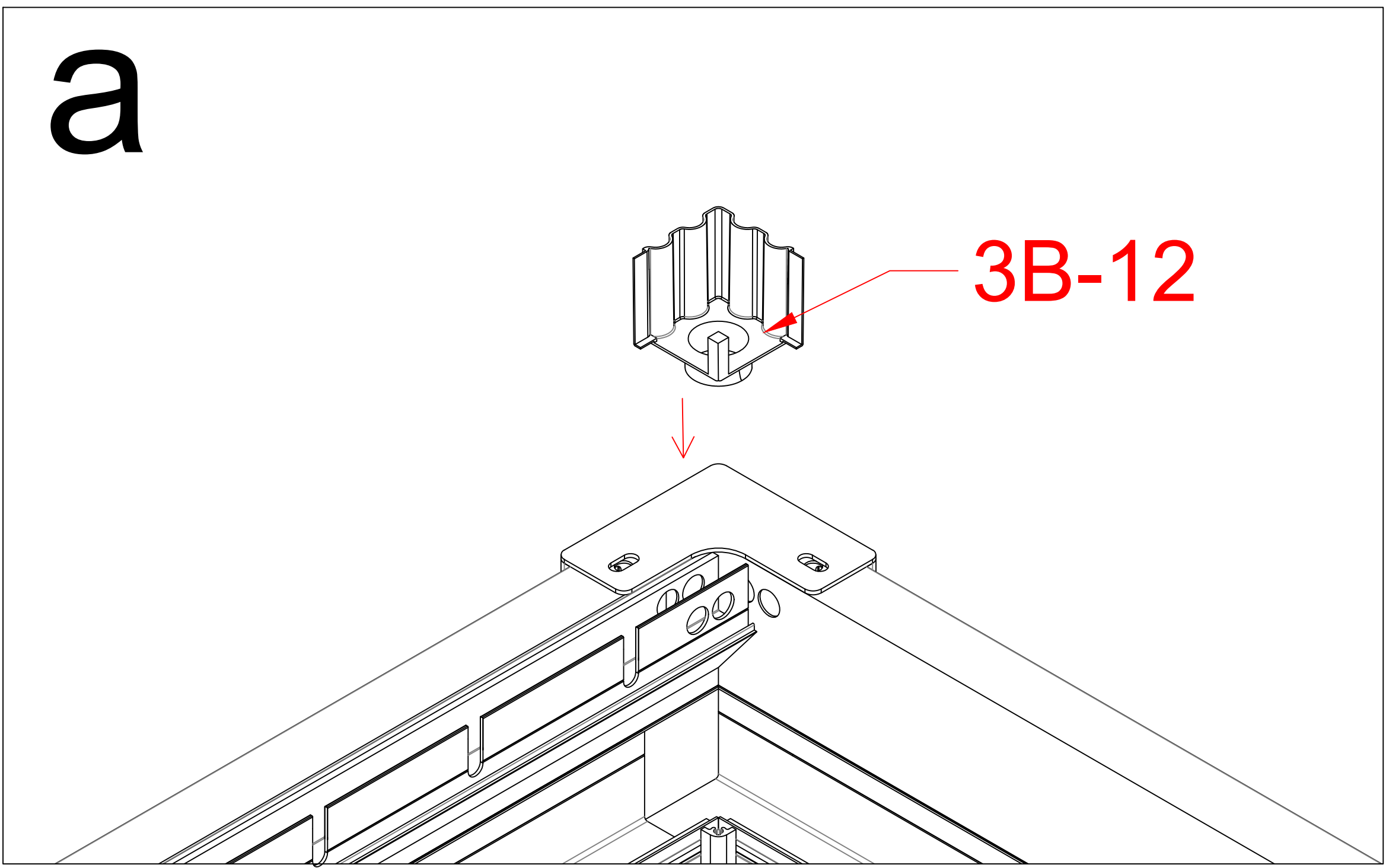
3B-35		2
3B-11		2
3B-19		12

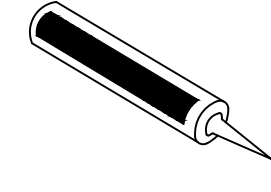
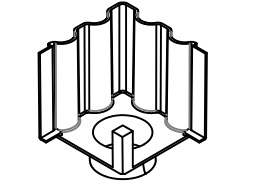


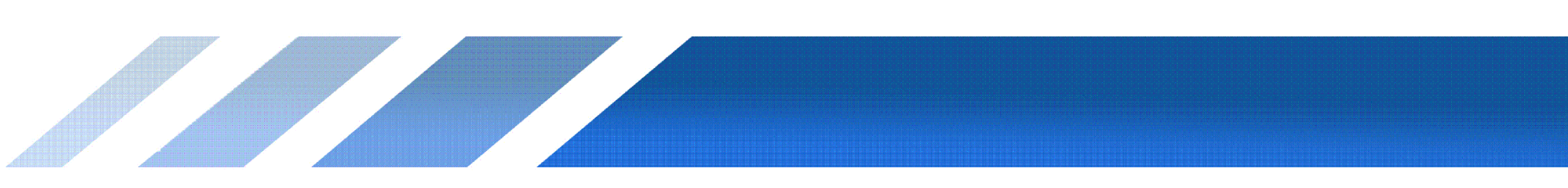


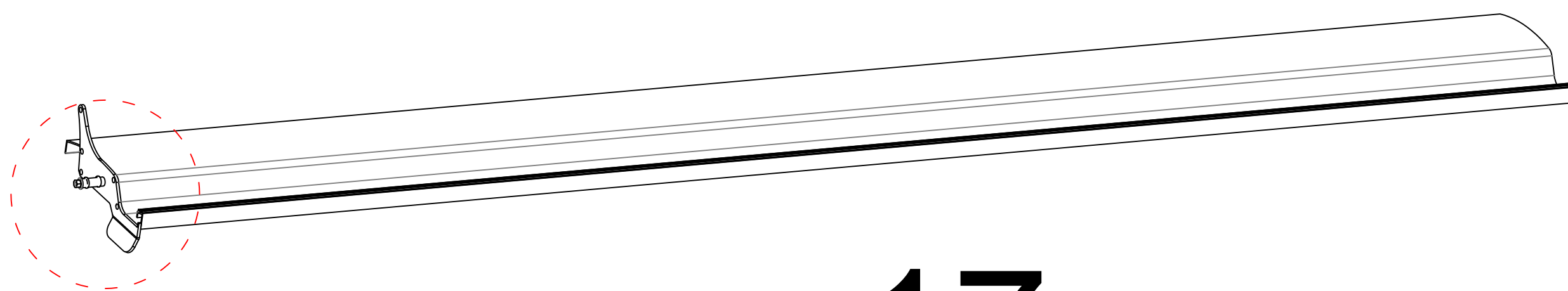
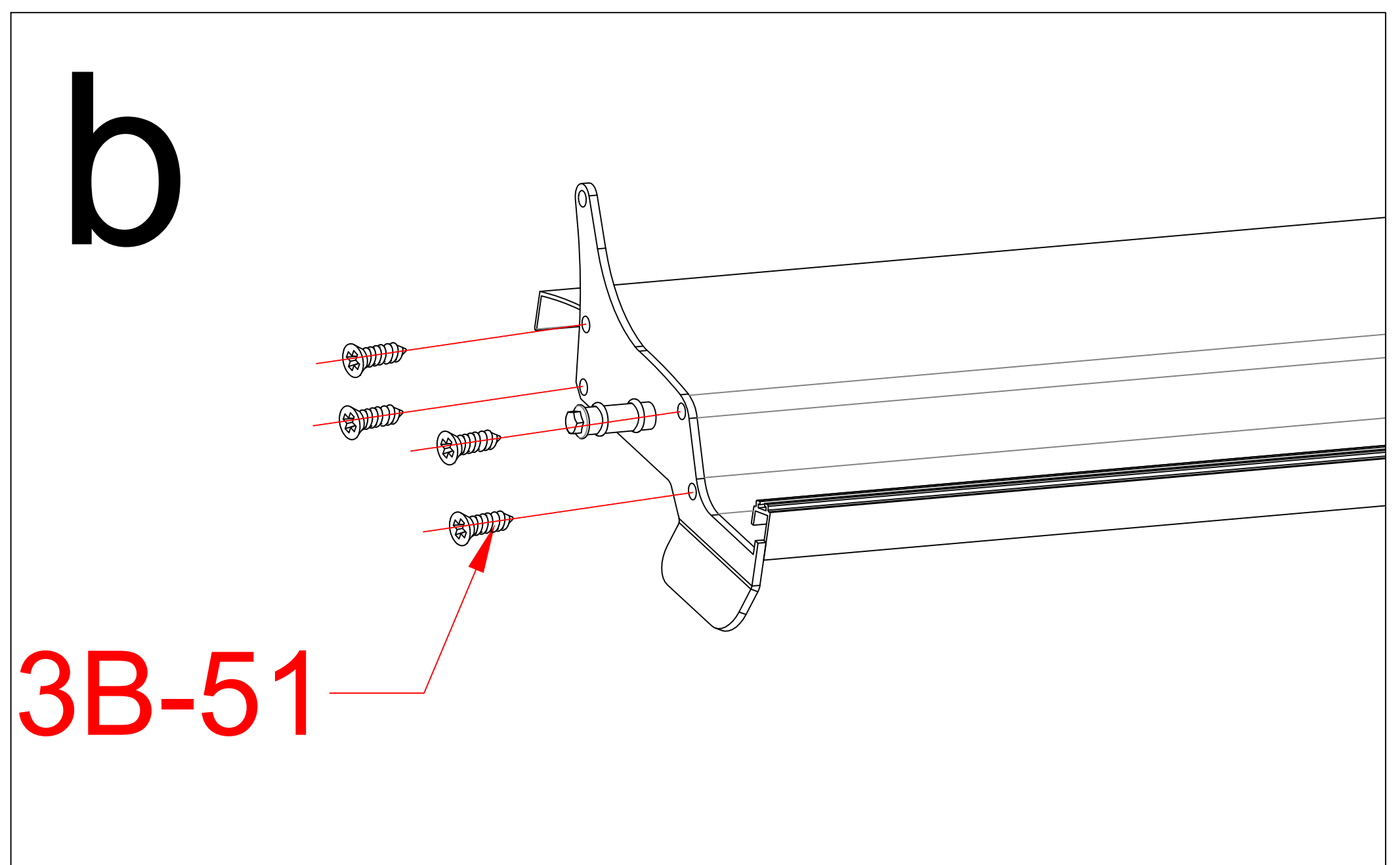
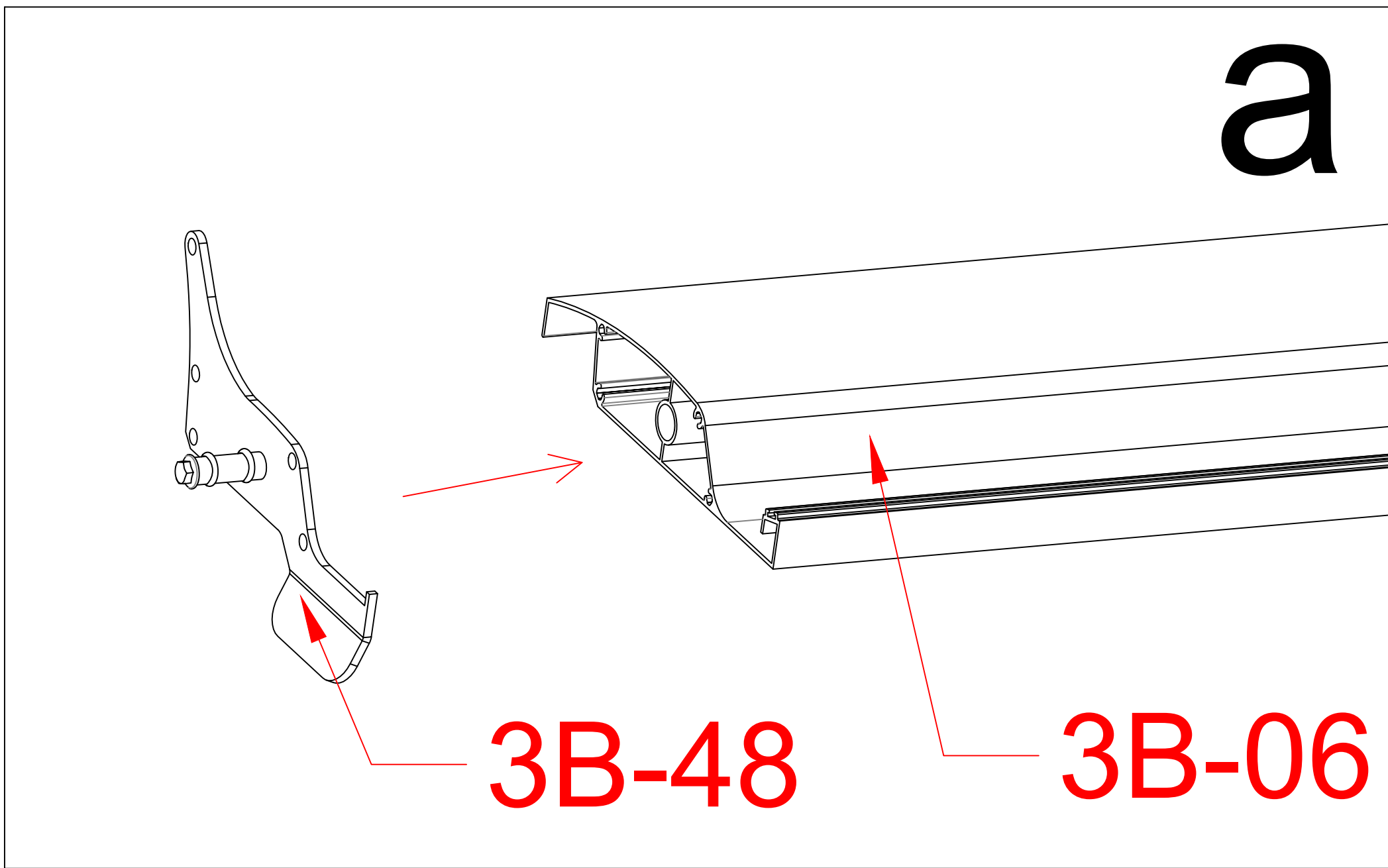
3B-55		2
3B-56		1
3B-23		5





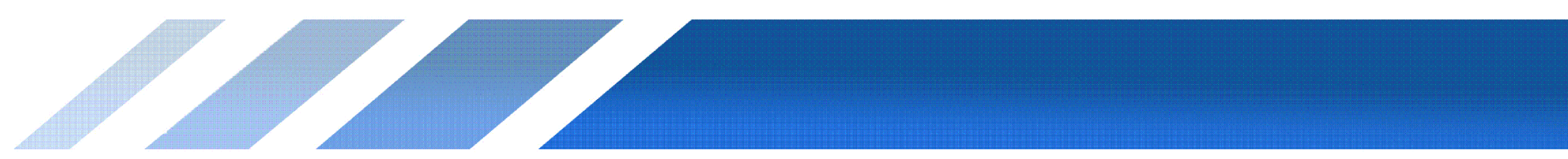
3B-24		1
3B-12		2

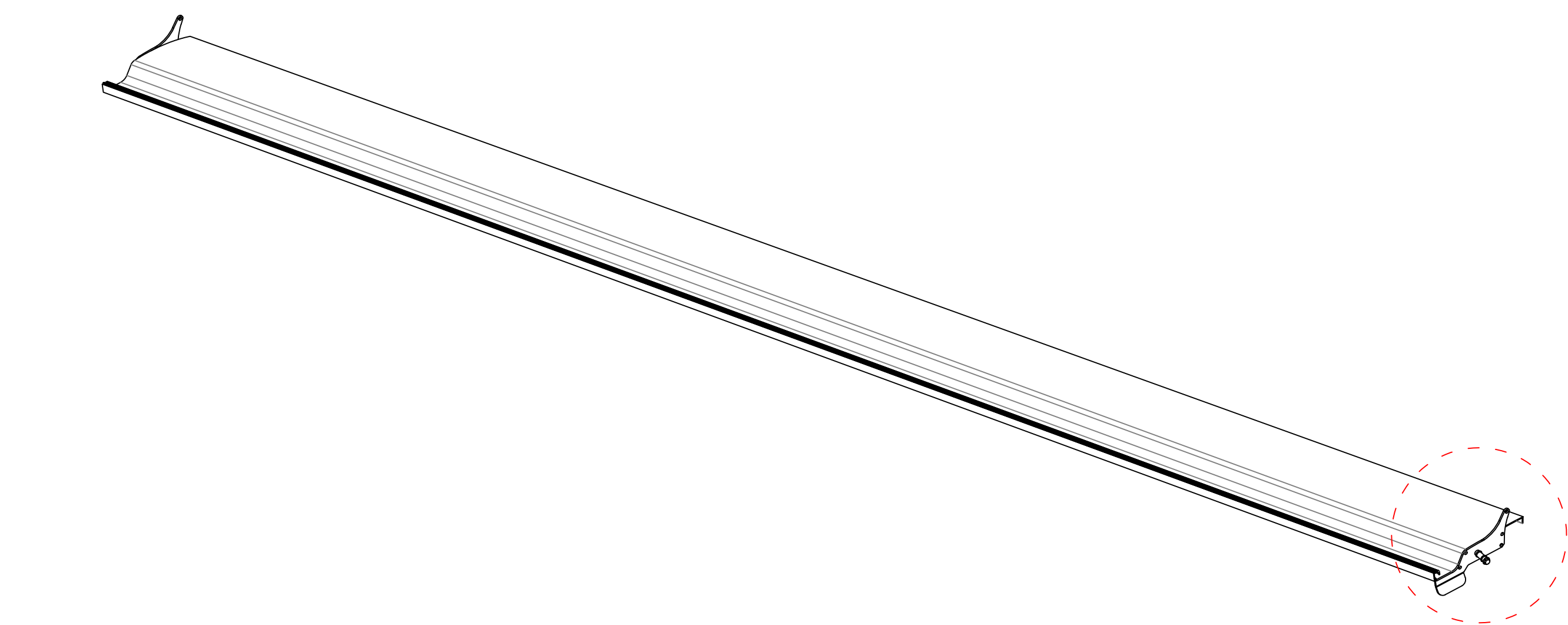
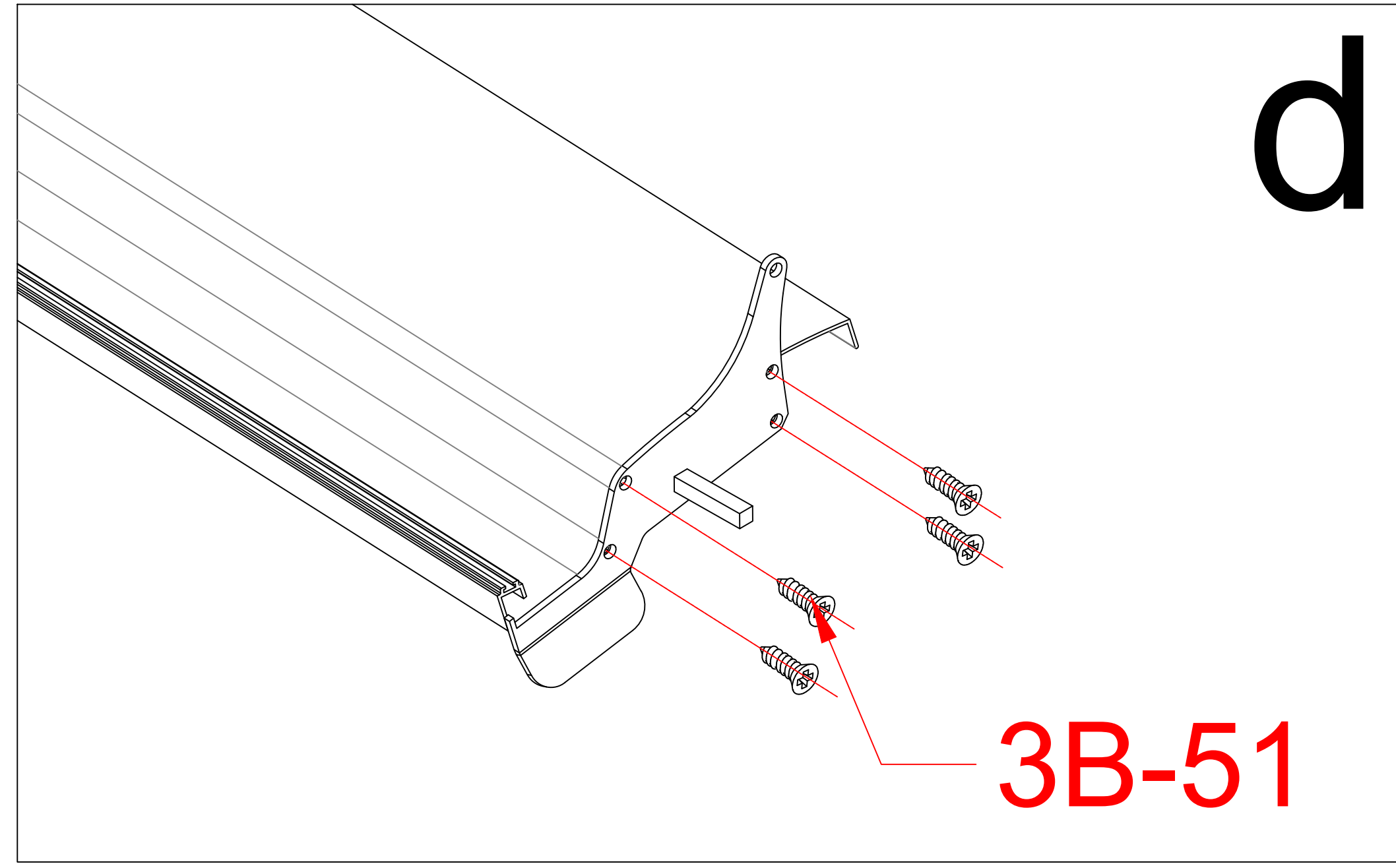
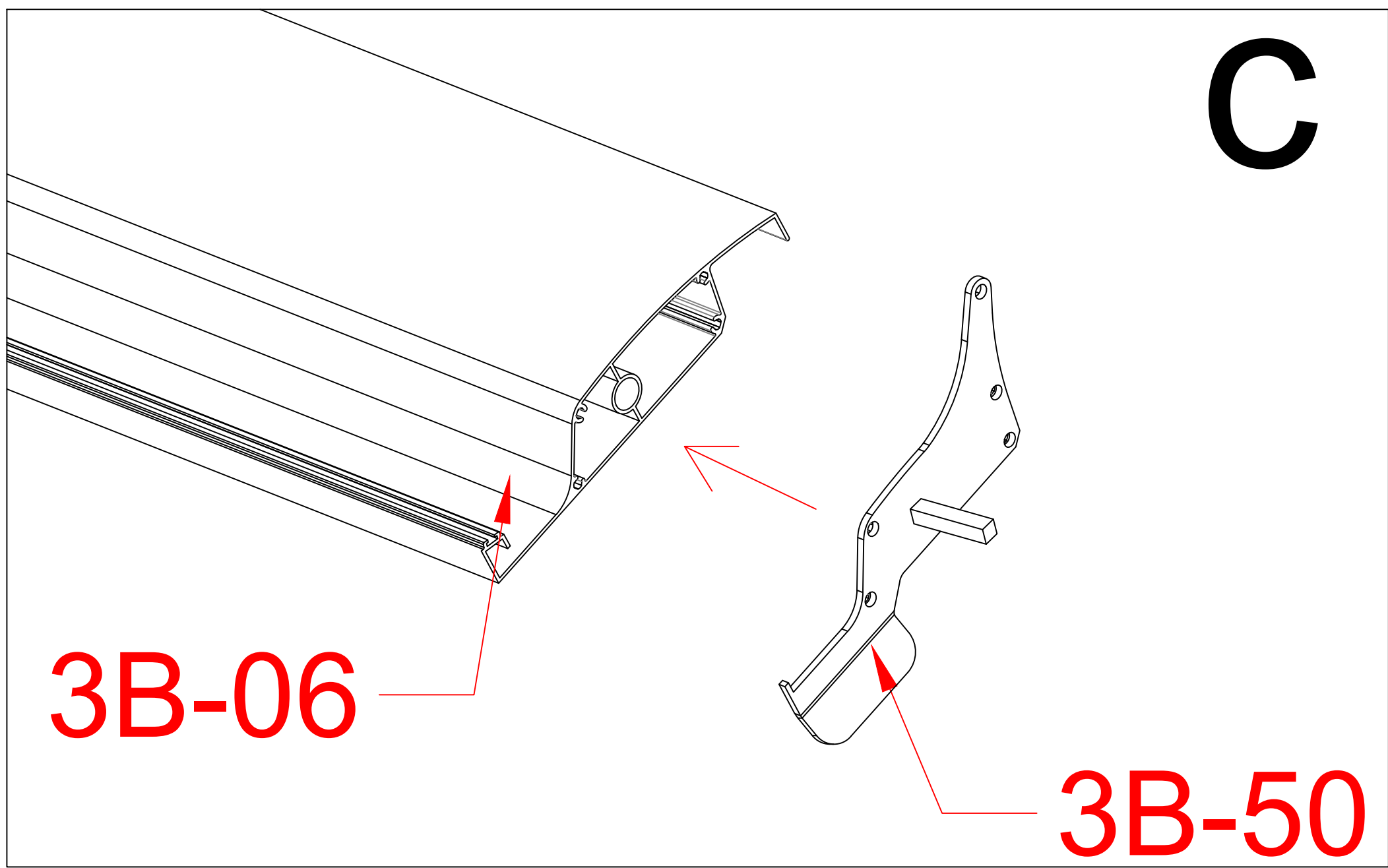
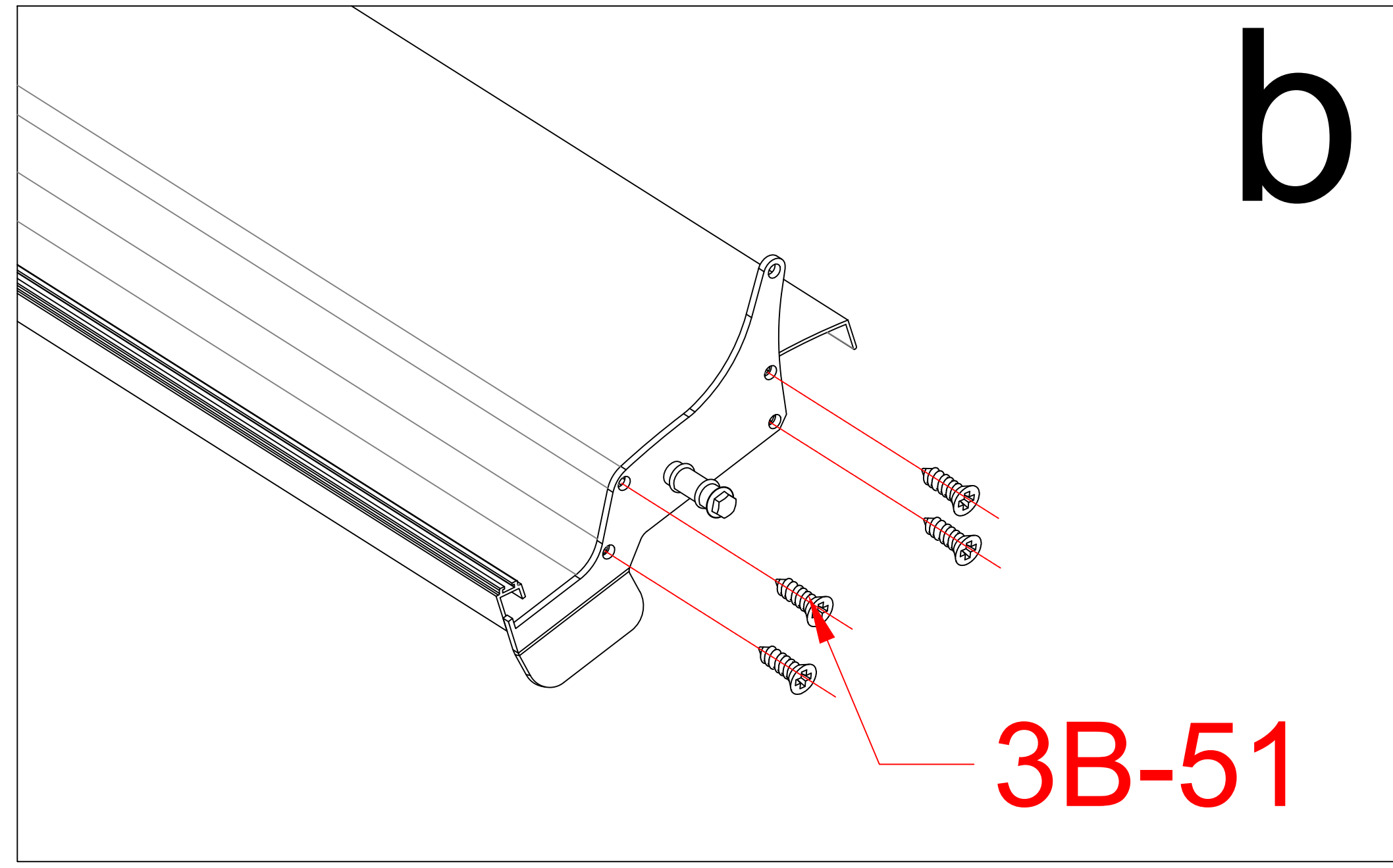
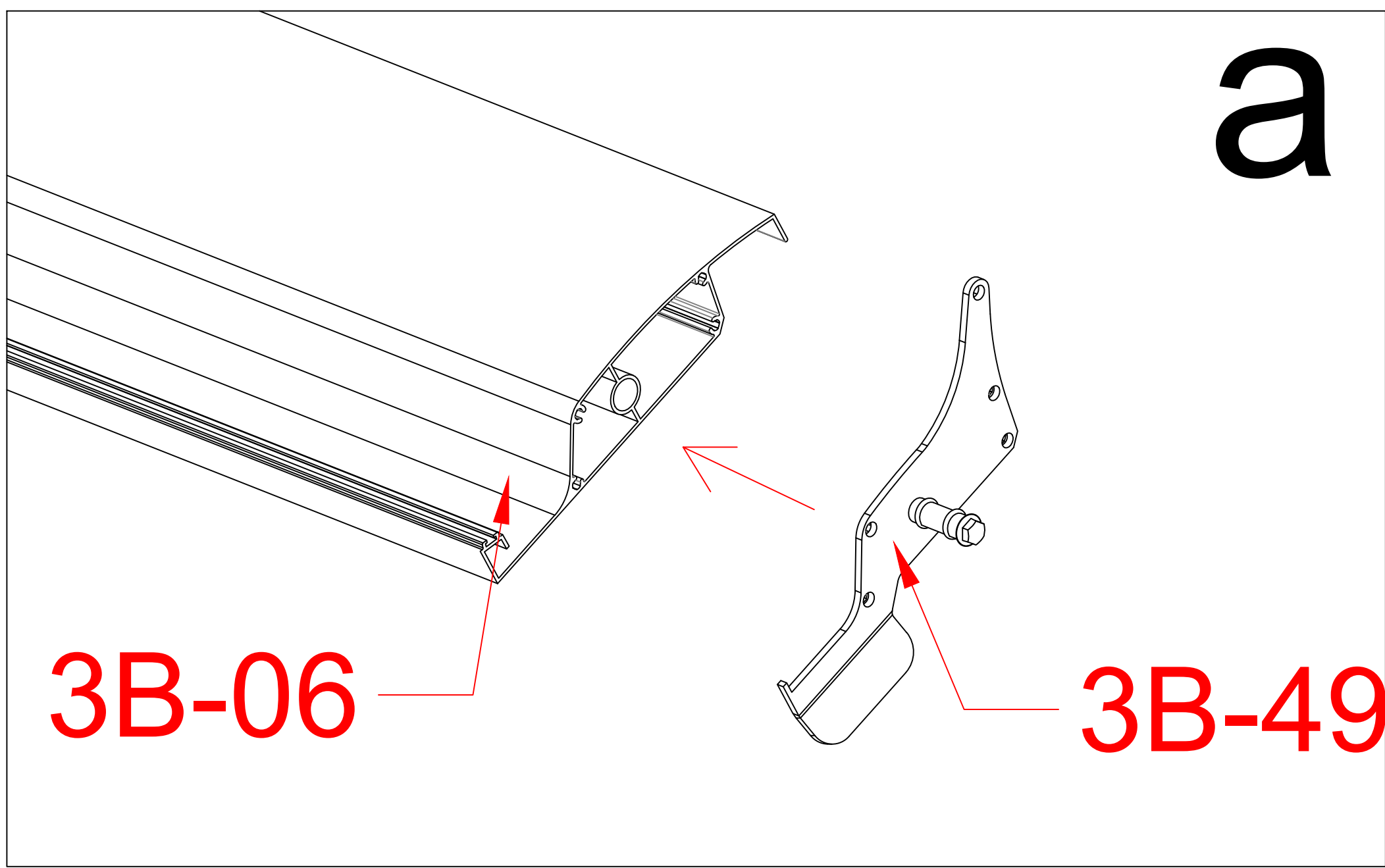




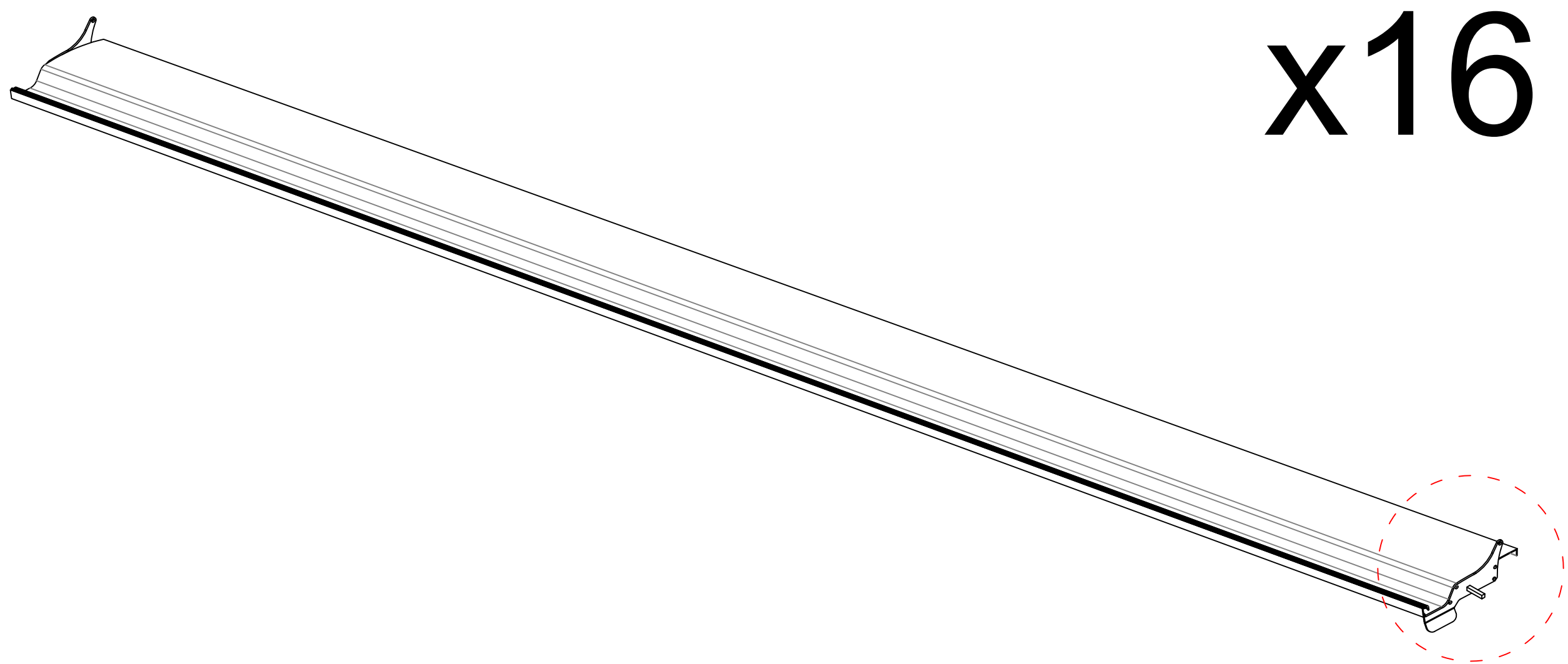
x17

3B-51		68
3B-06		17
3B-48		17



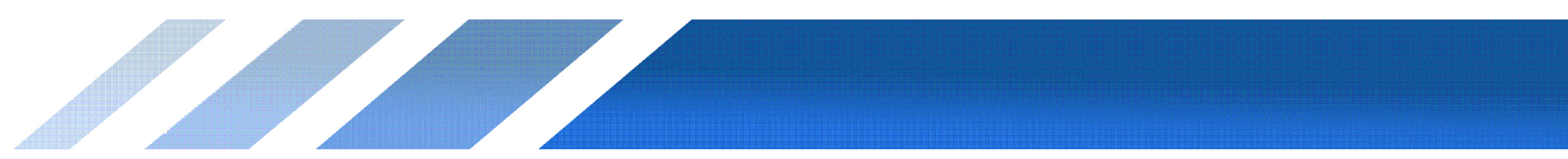


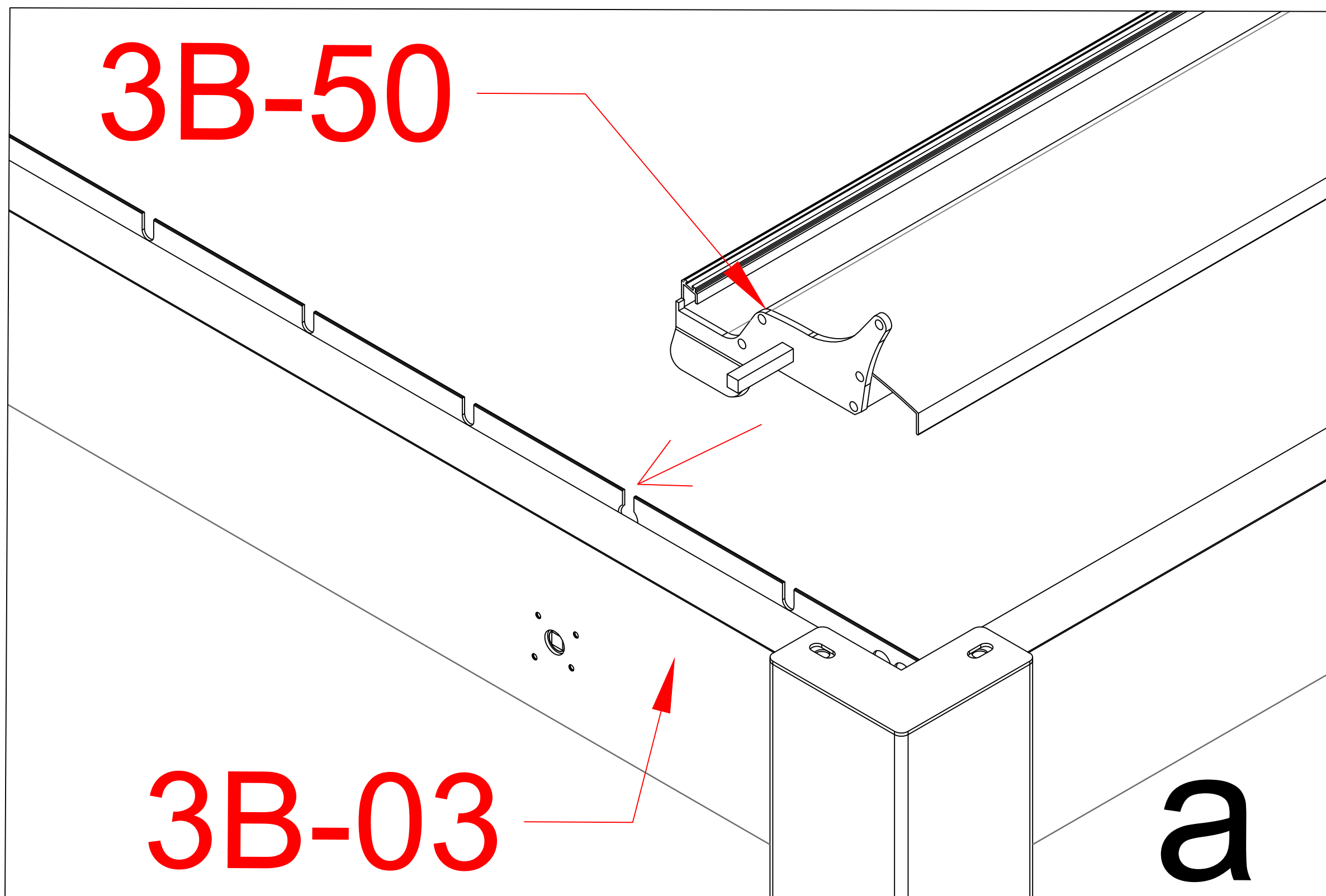
x16



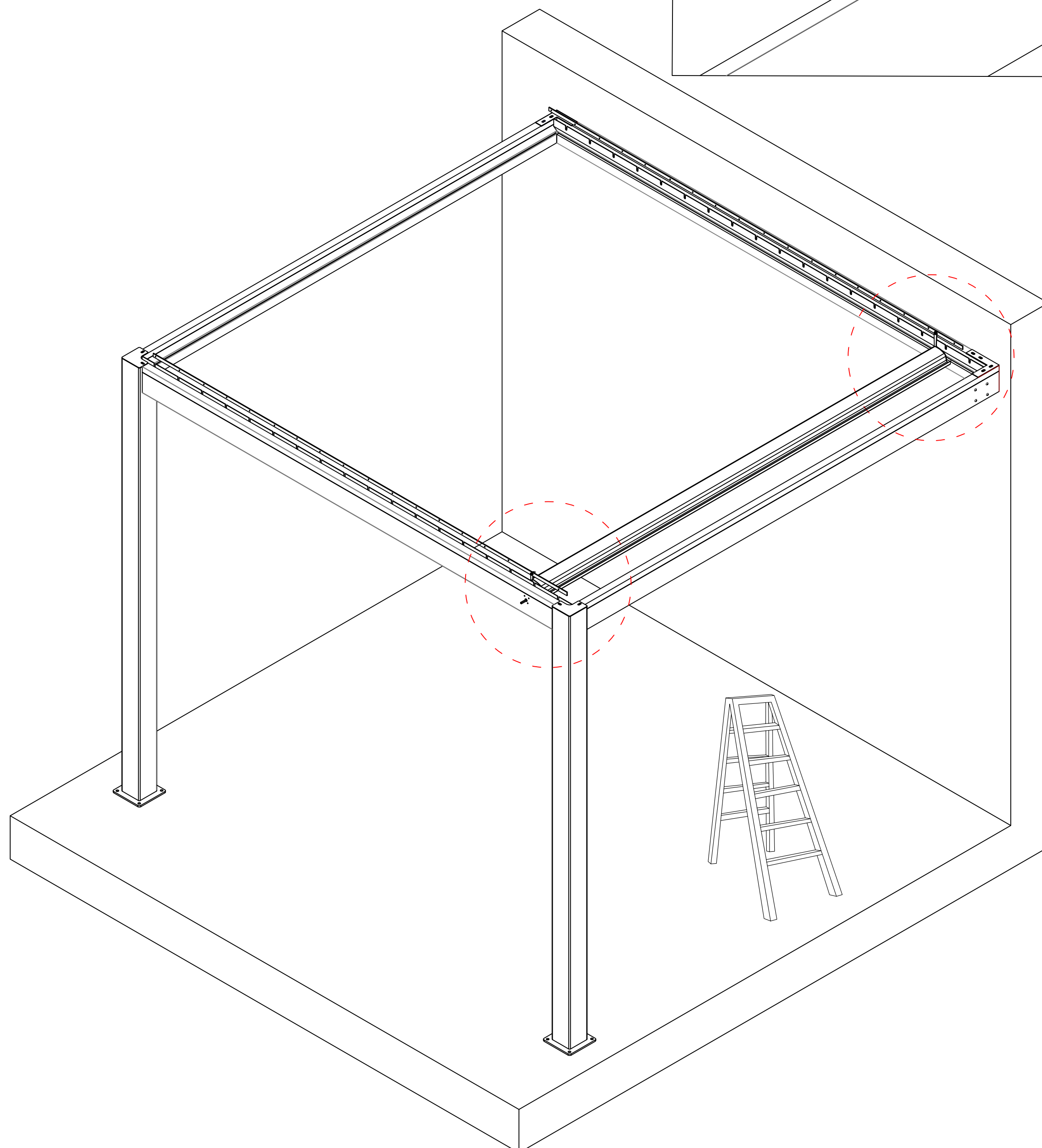
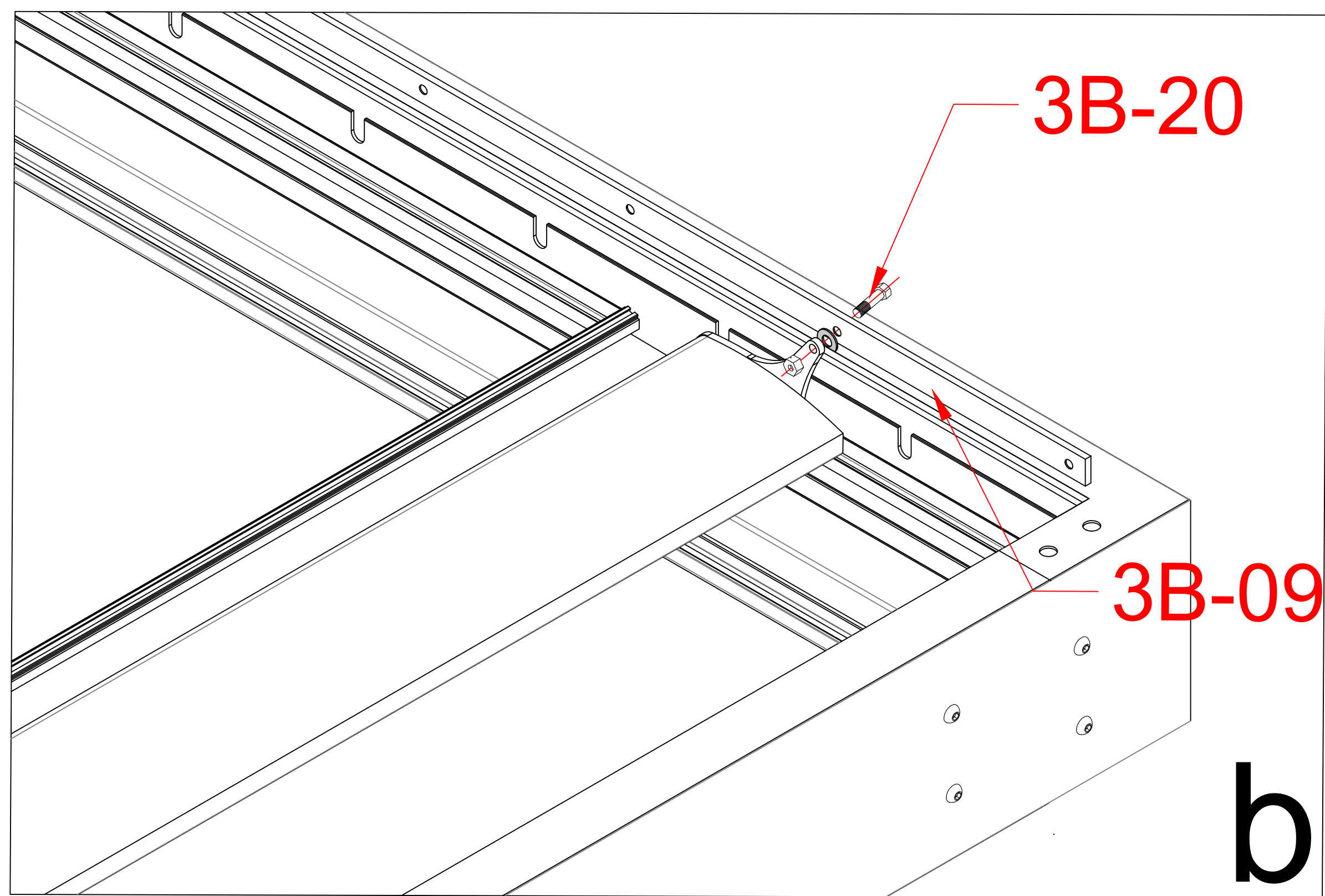
x1

3B-49		16
3B-50		1
3B-51		68



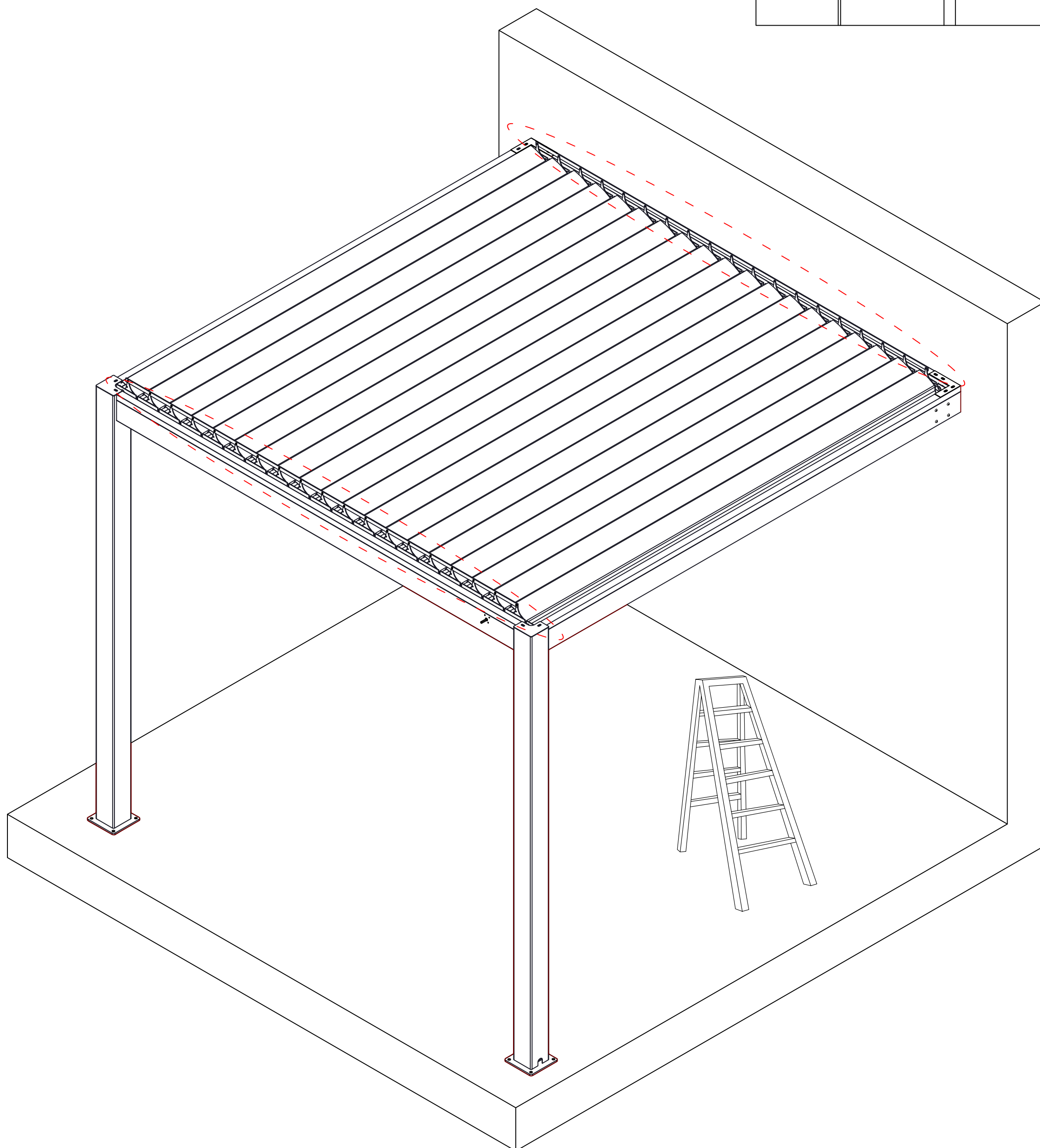
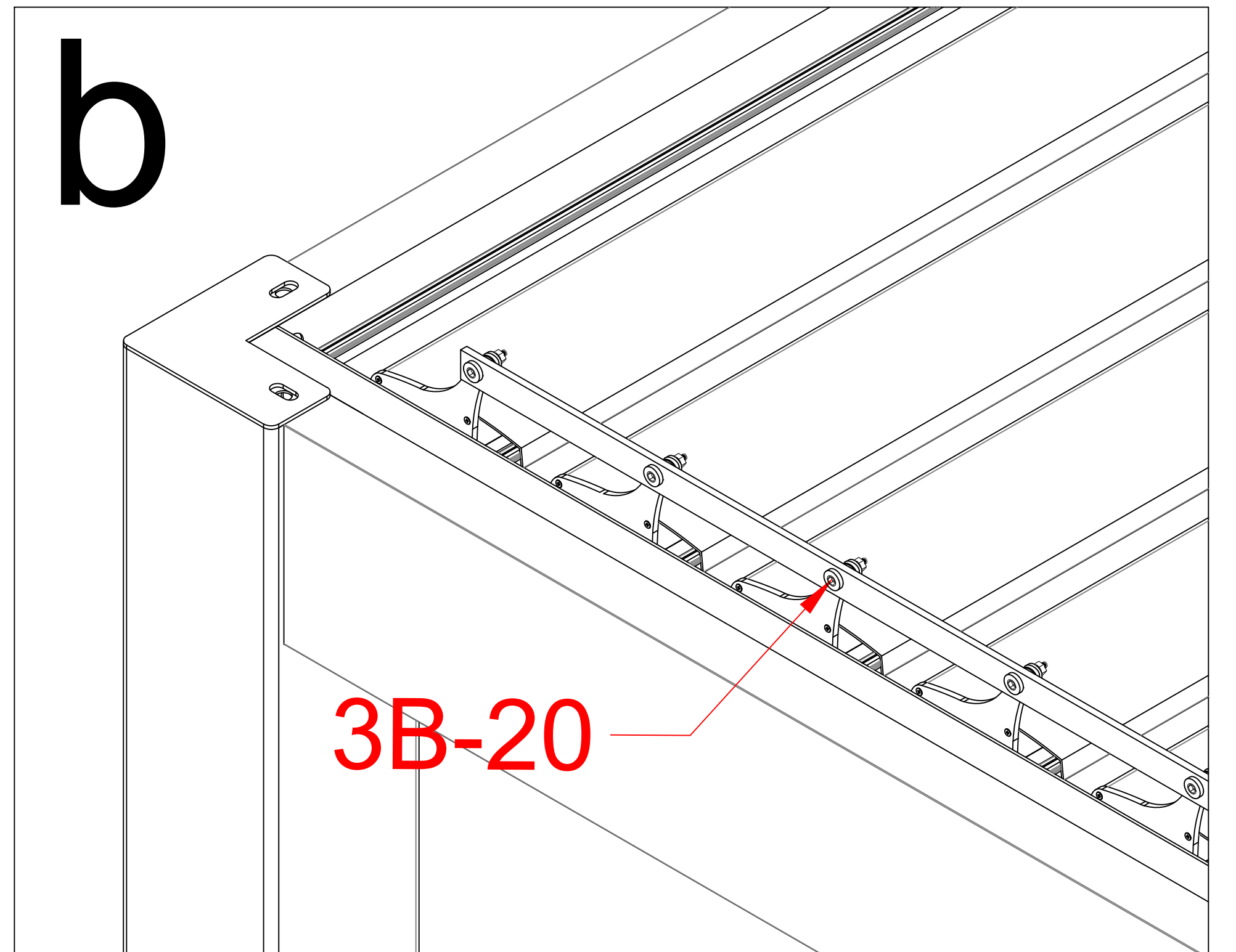
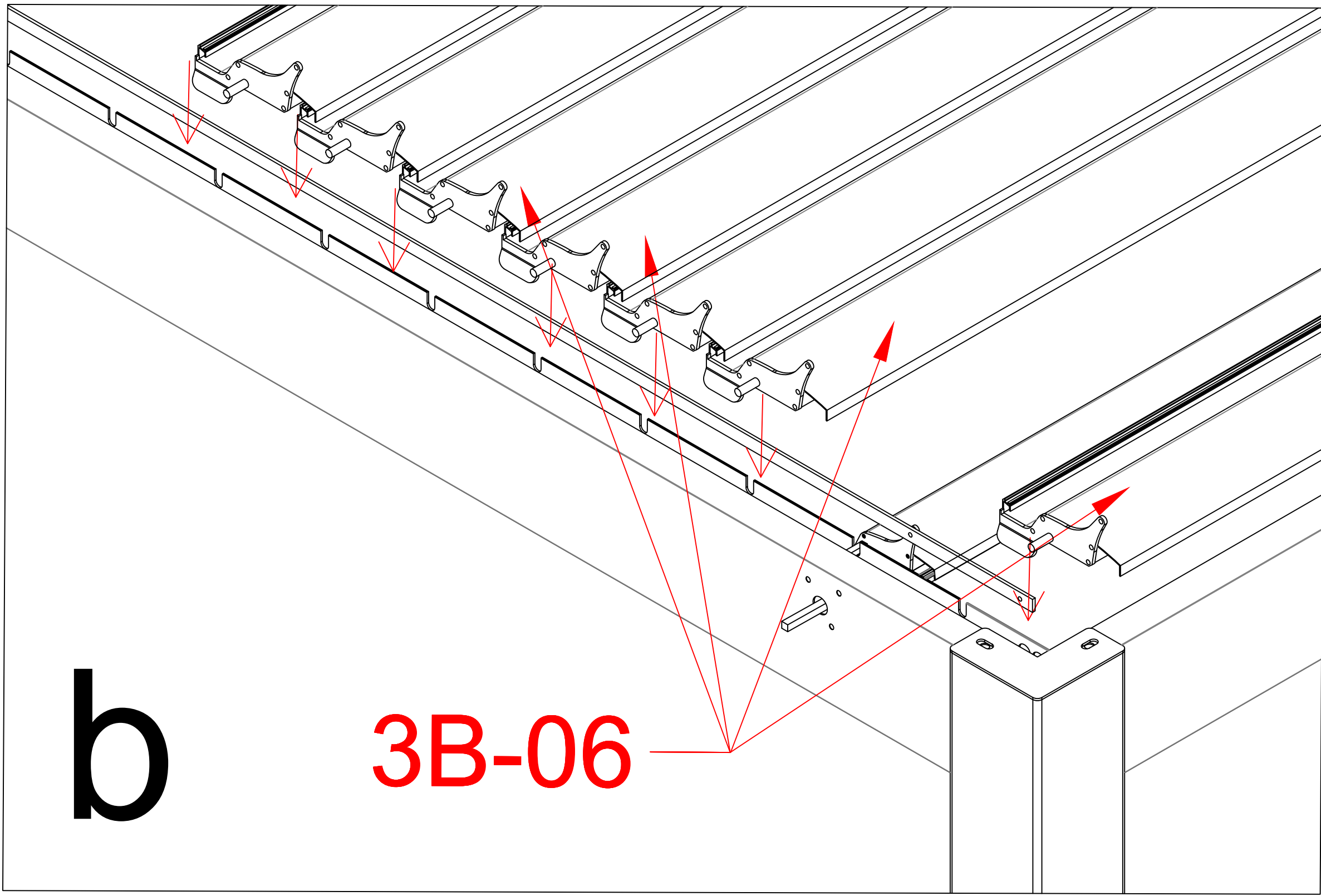


warning:
Bolts must be tightened,
but not overtight as
louvres have to move.

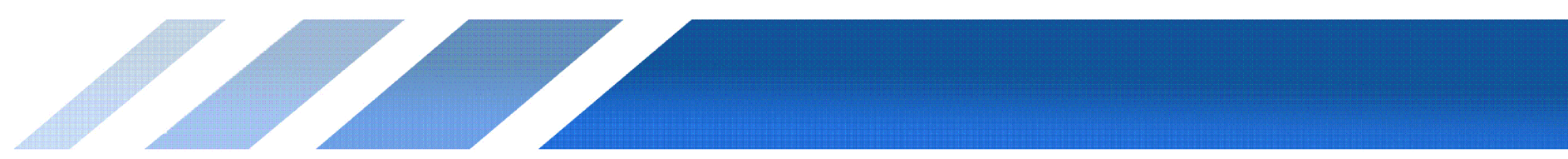


3B-09		2
3B-20		2
3B-06 /50		1



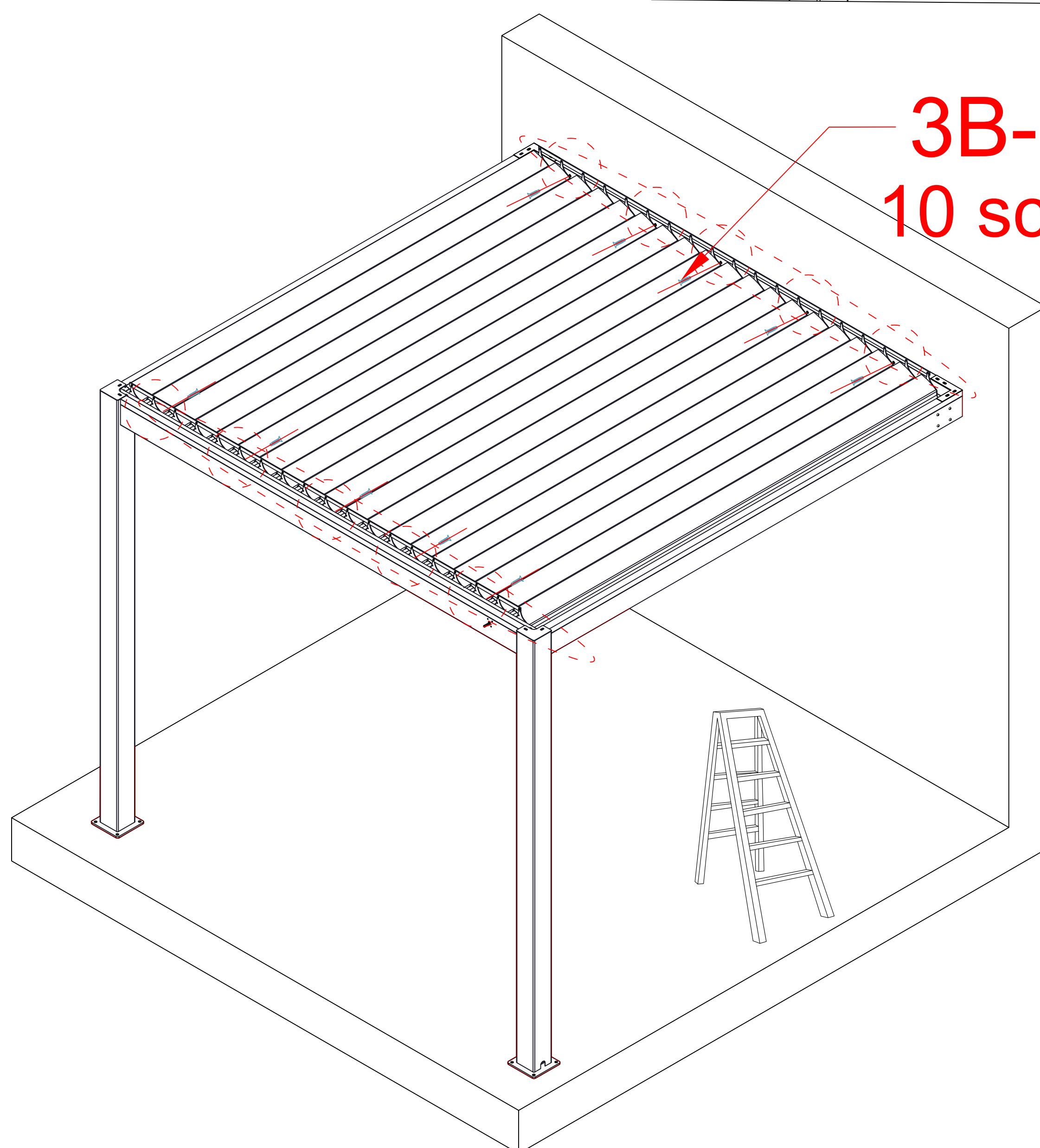
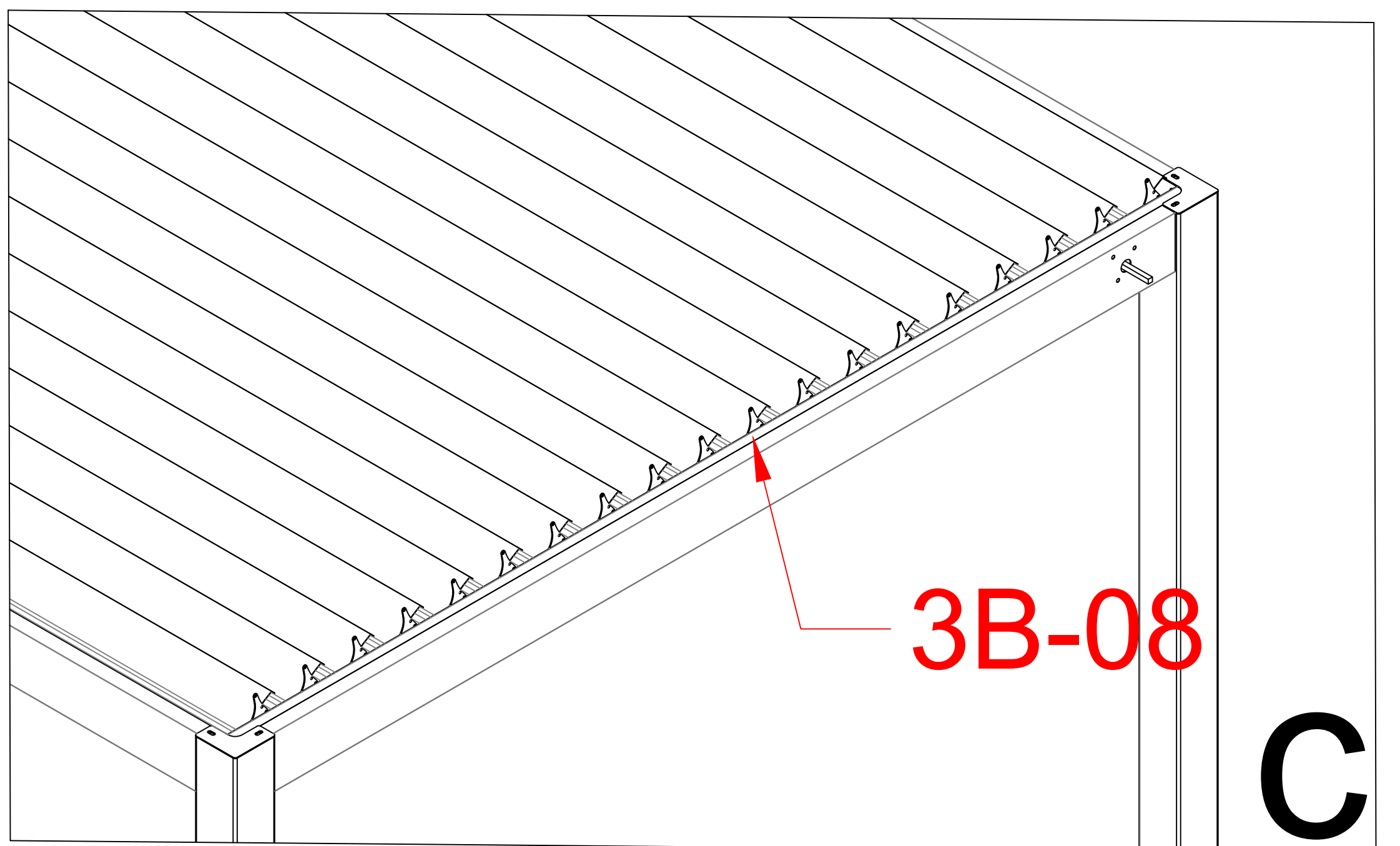
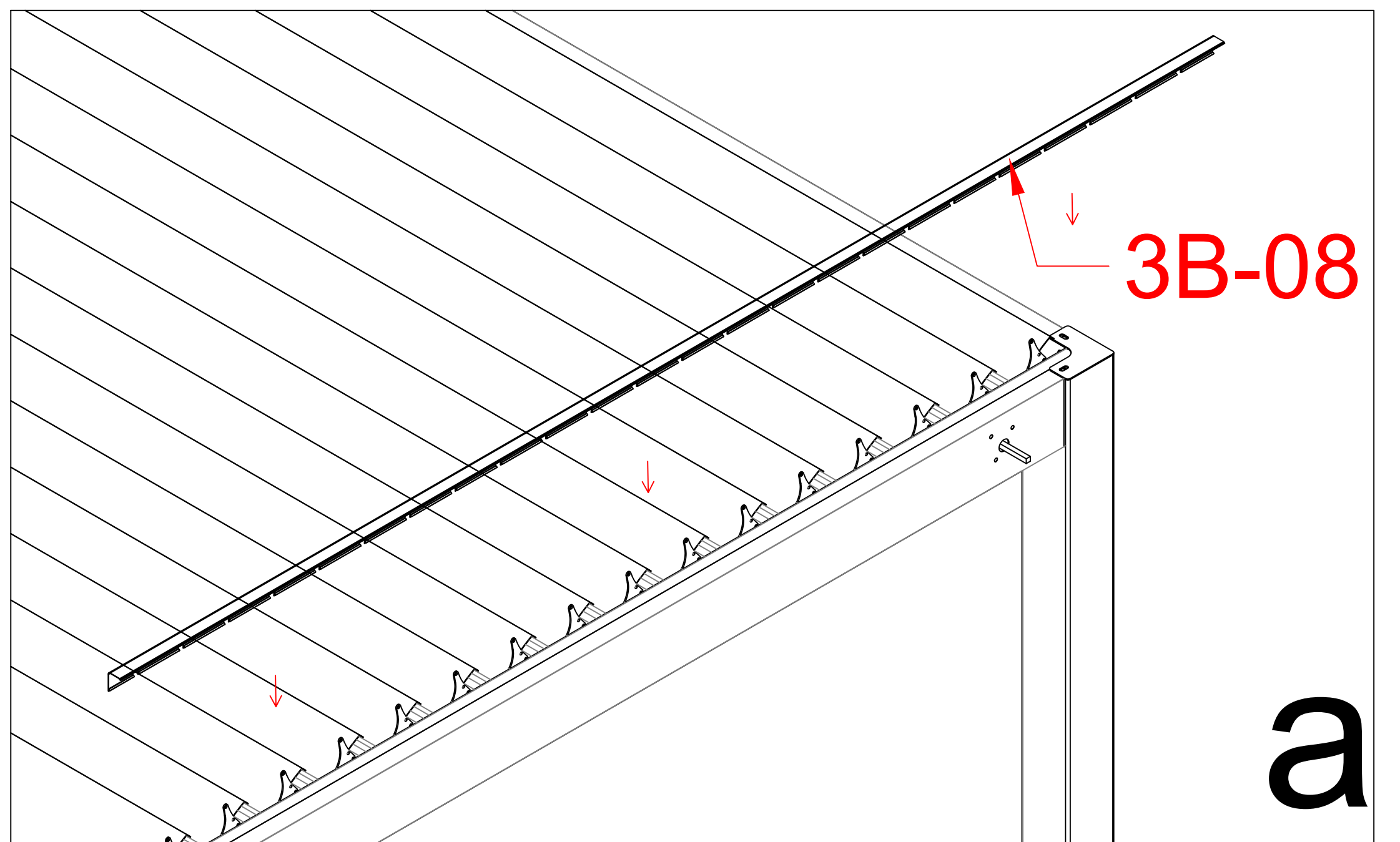
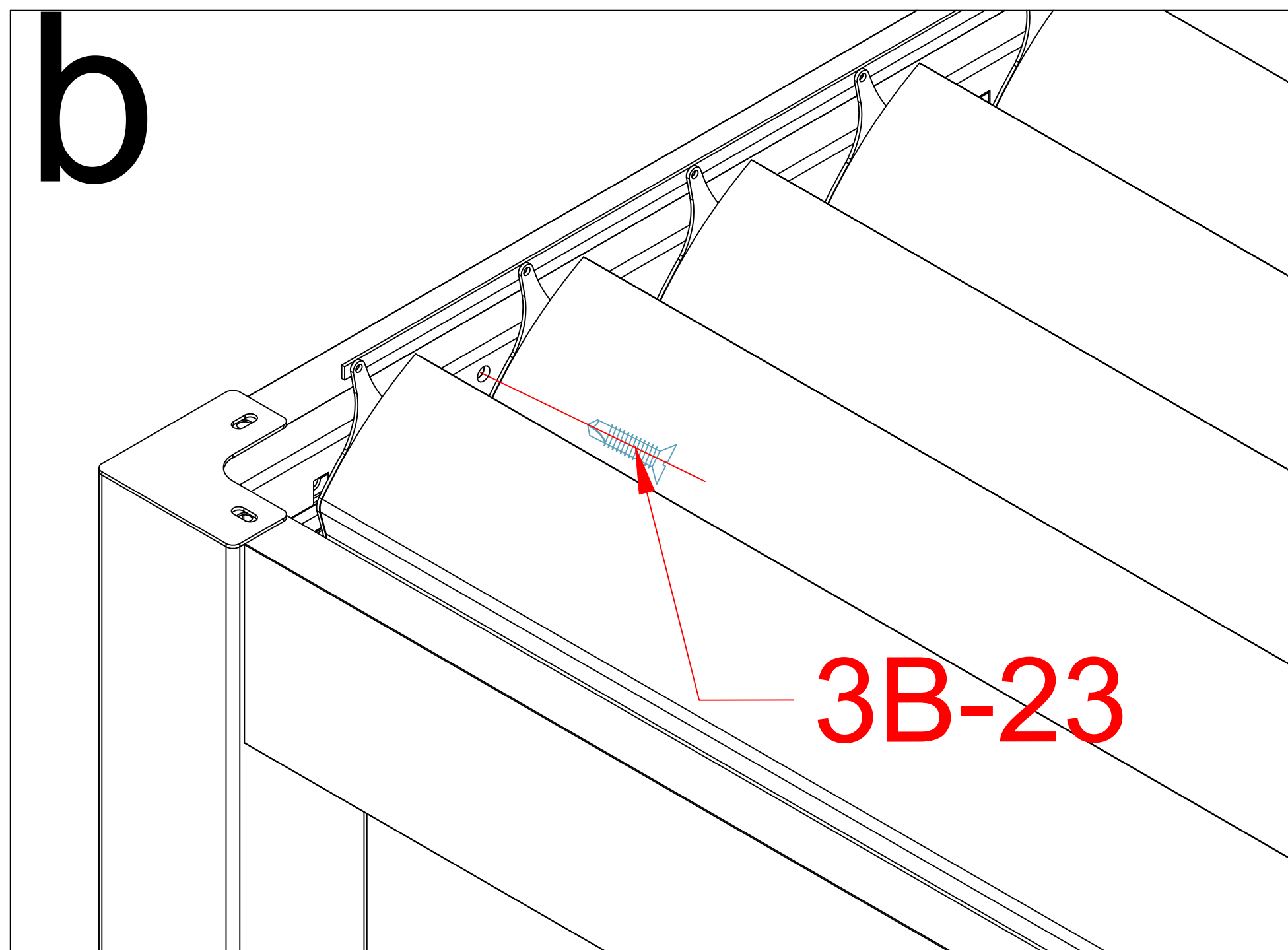


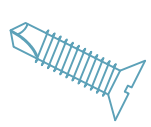
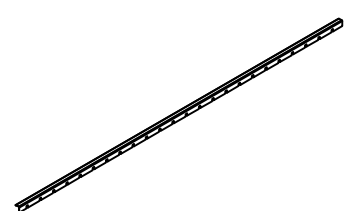
3B-20		32
3B-06		16



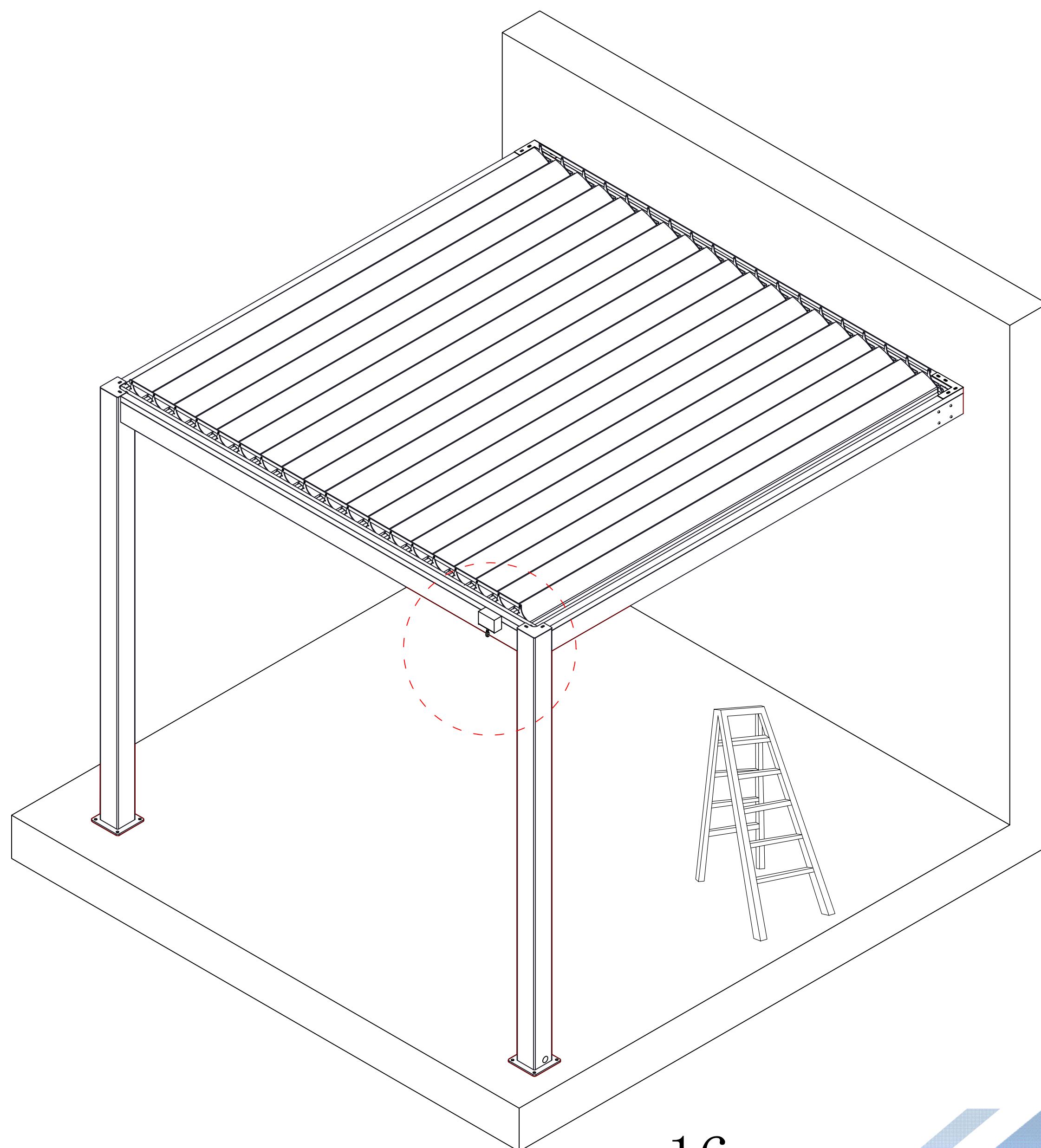
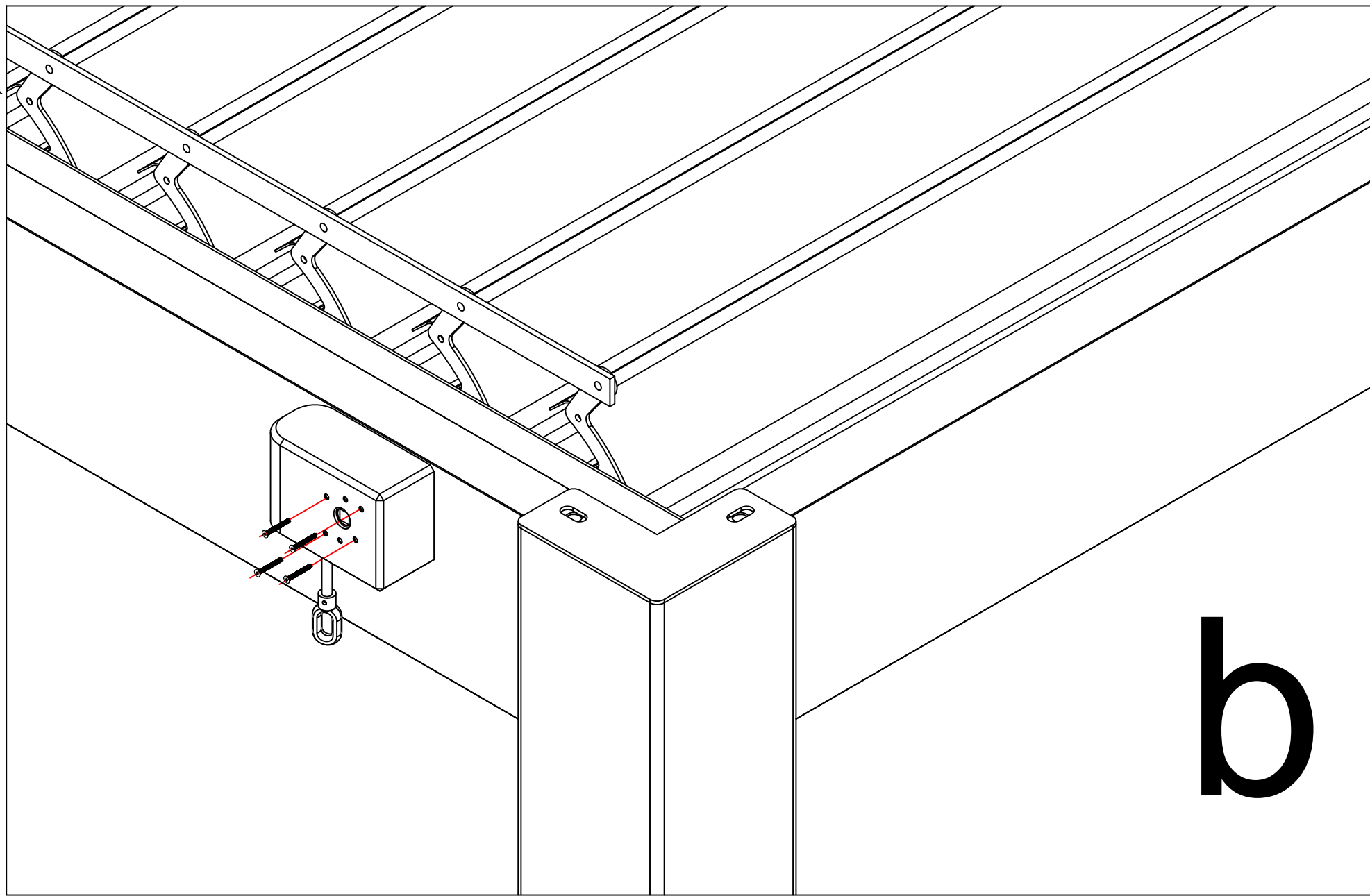
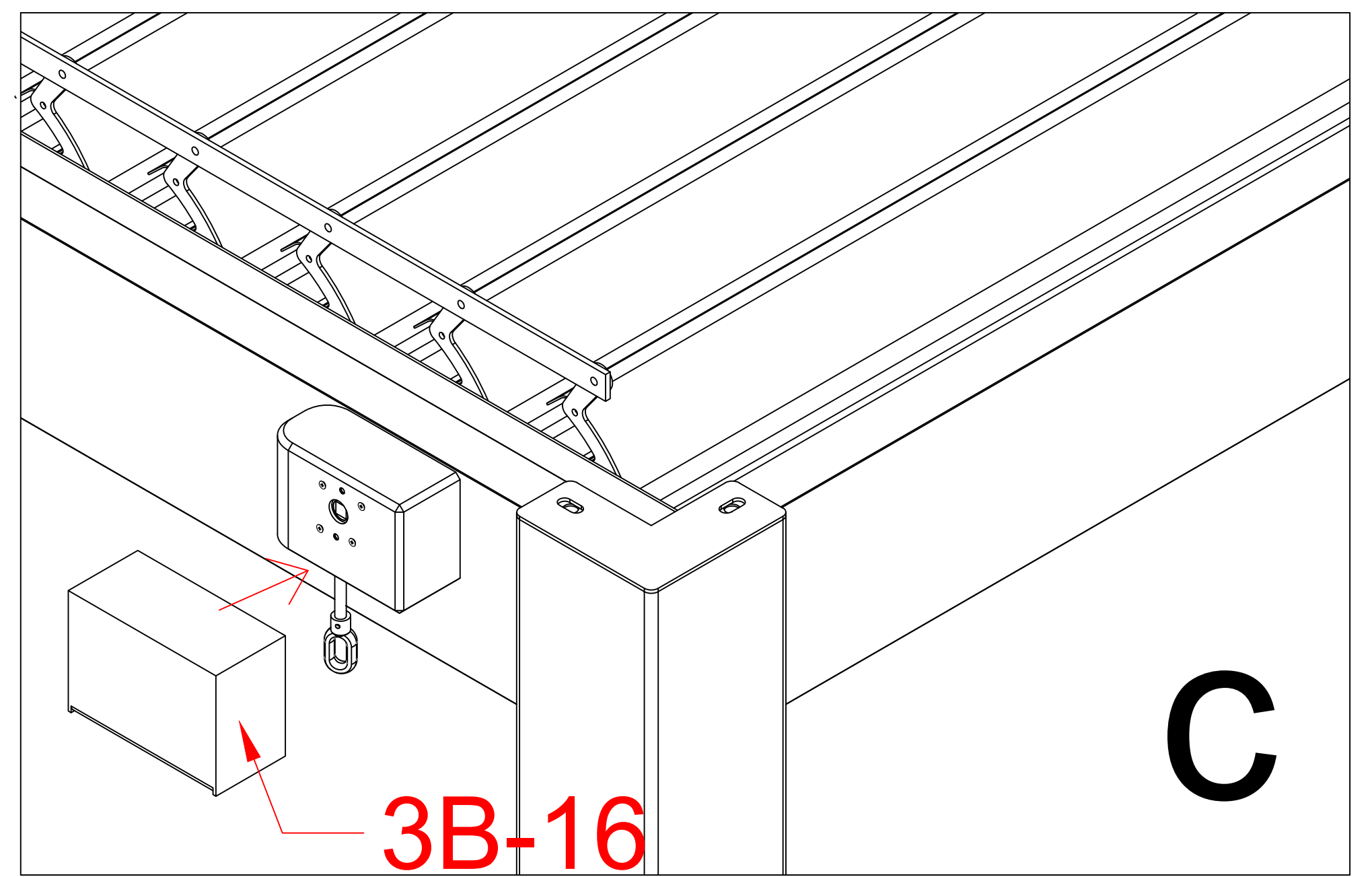
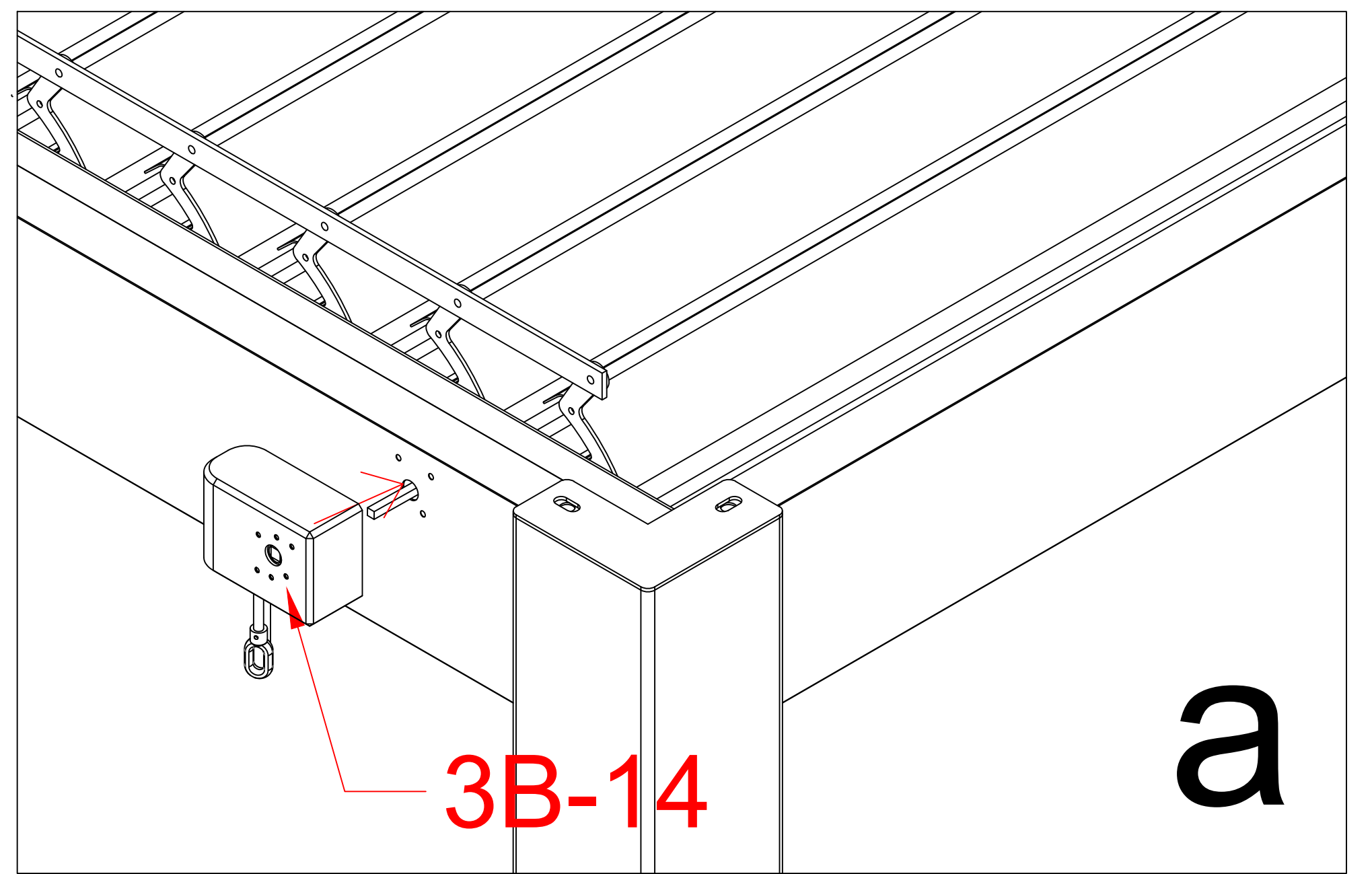


Attention: Please pay attention to differentiation during installation, as the hole positions on both sides are different

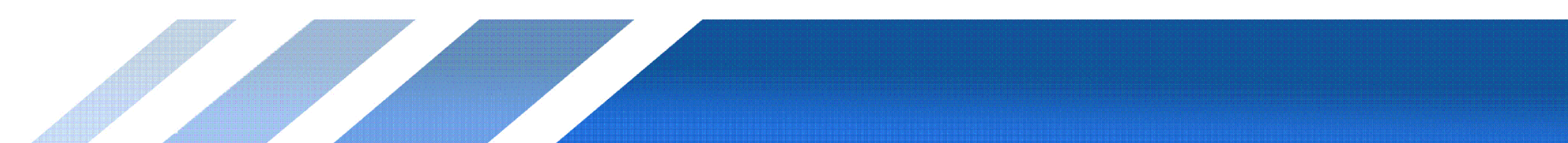


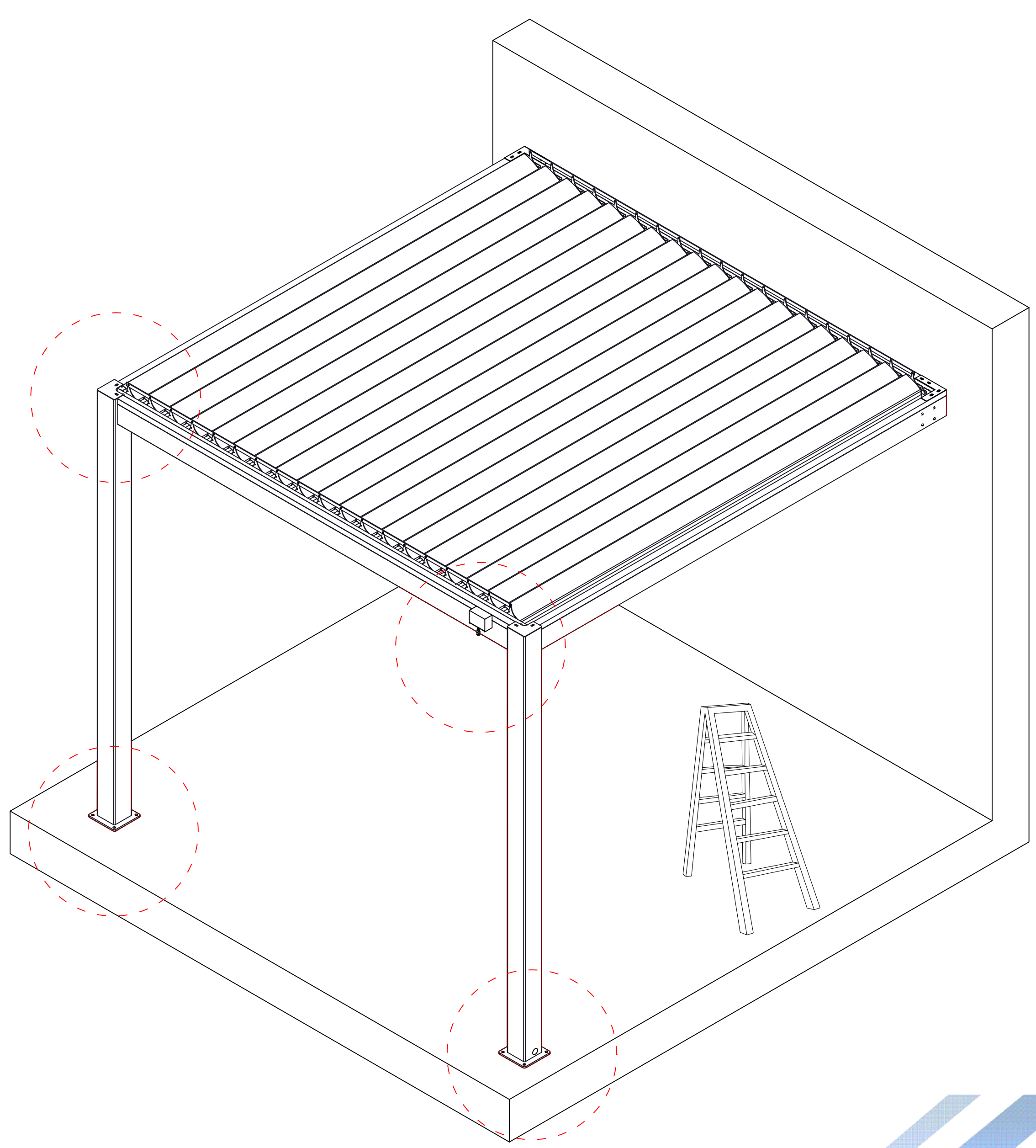
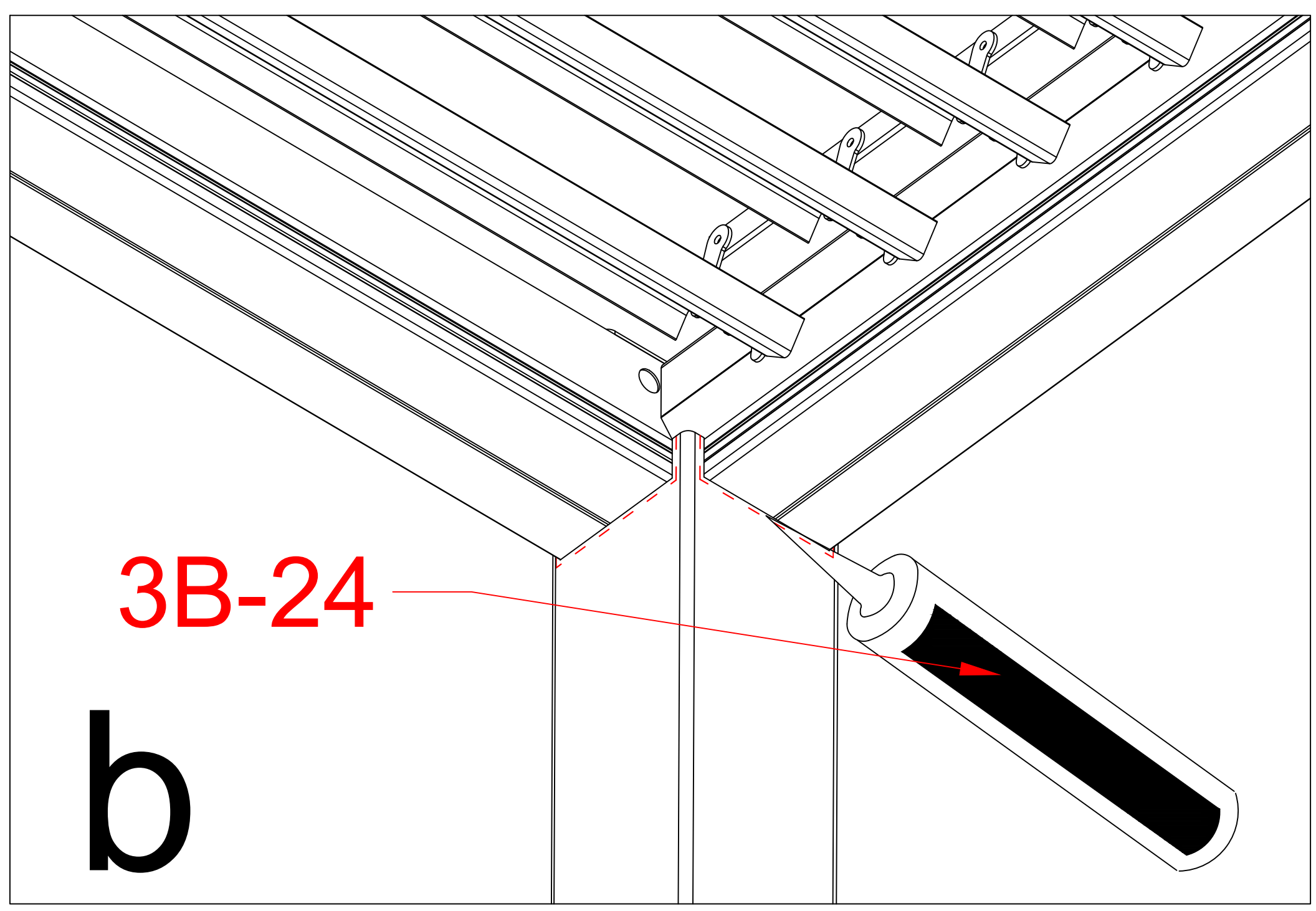
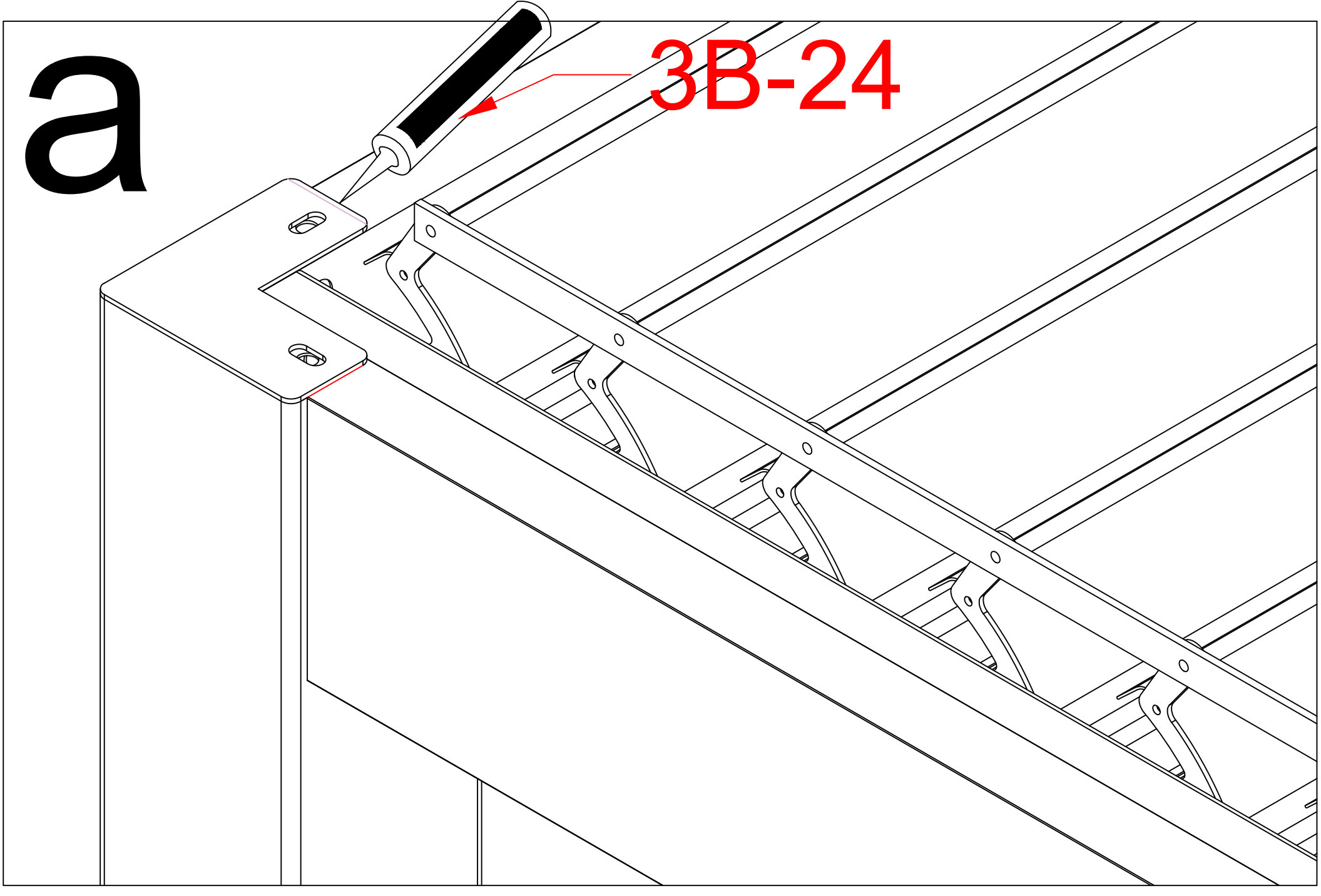
3B-23		10
3B-08		2

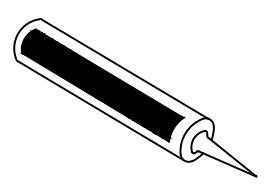


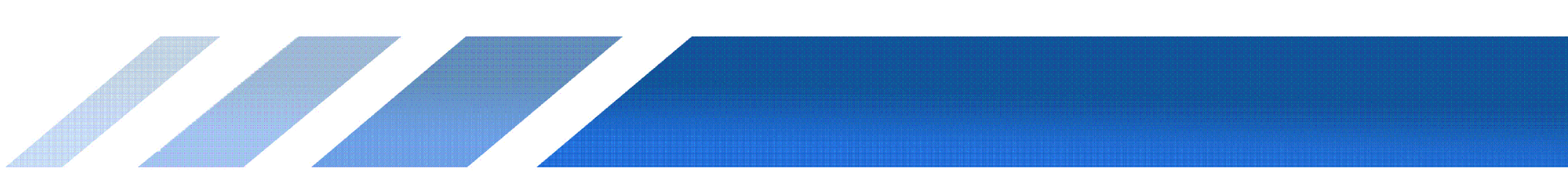


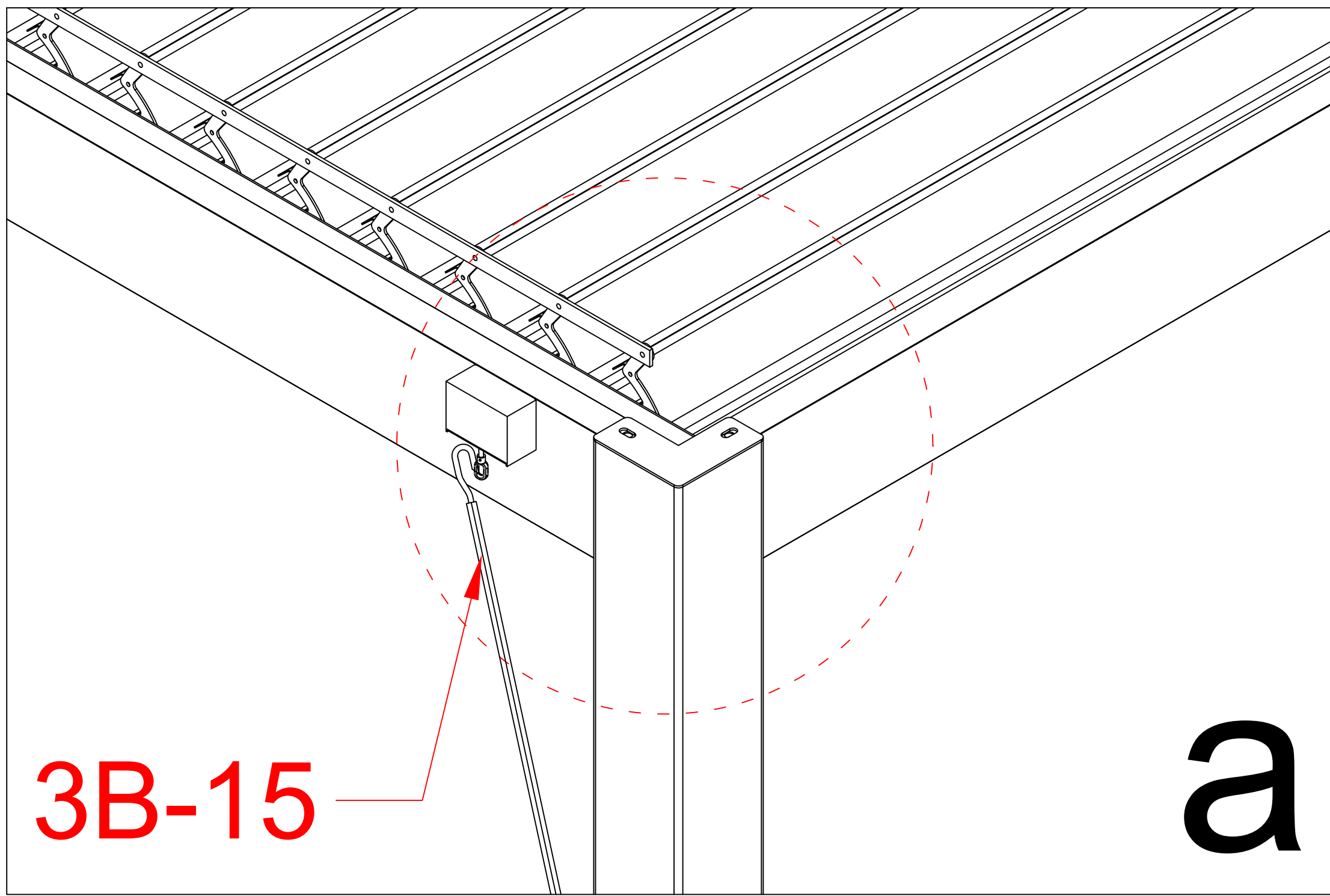
3B-14	+	1
3B-16		1



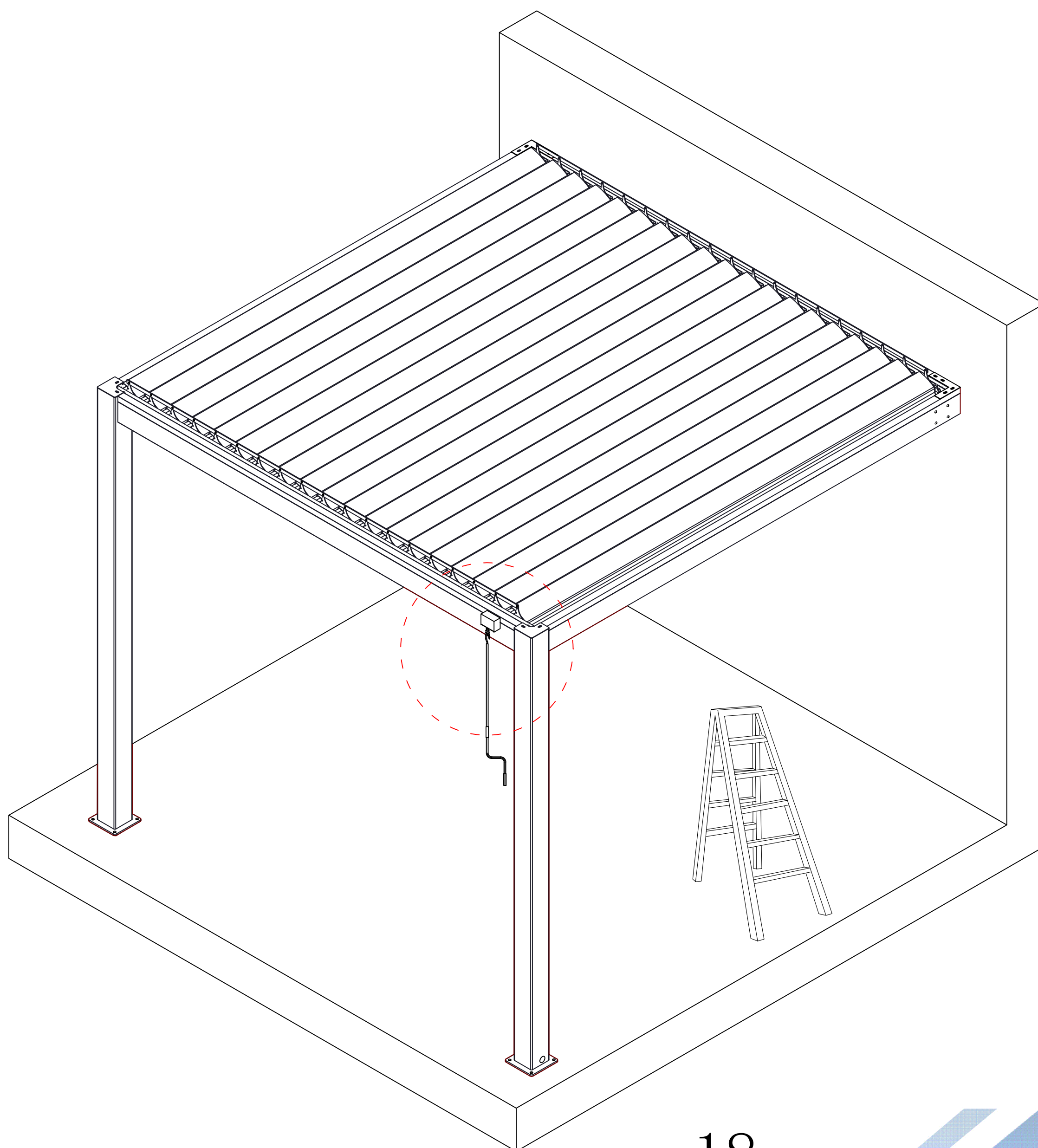
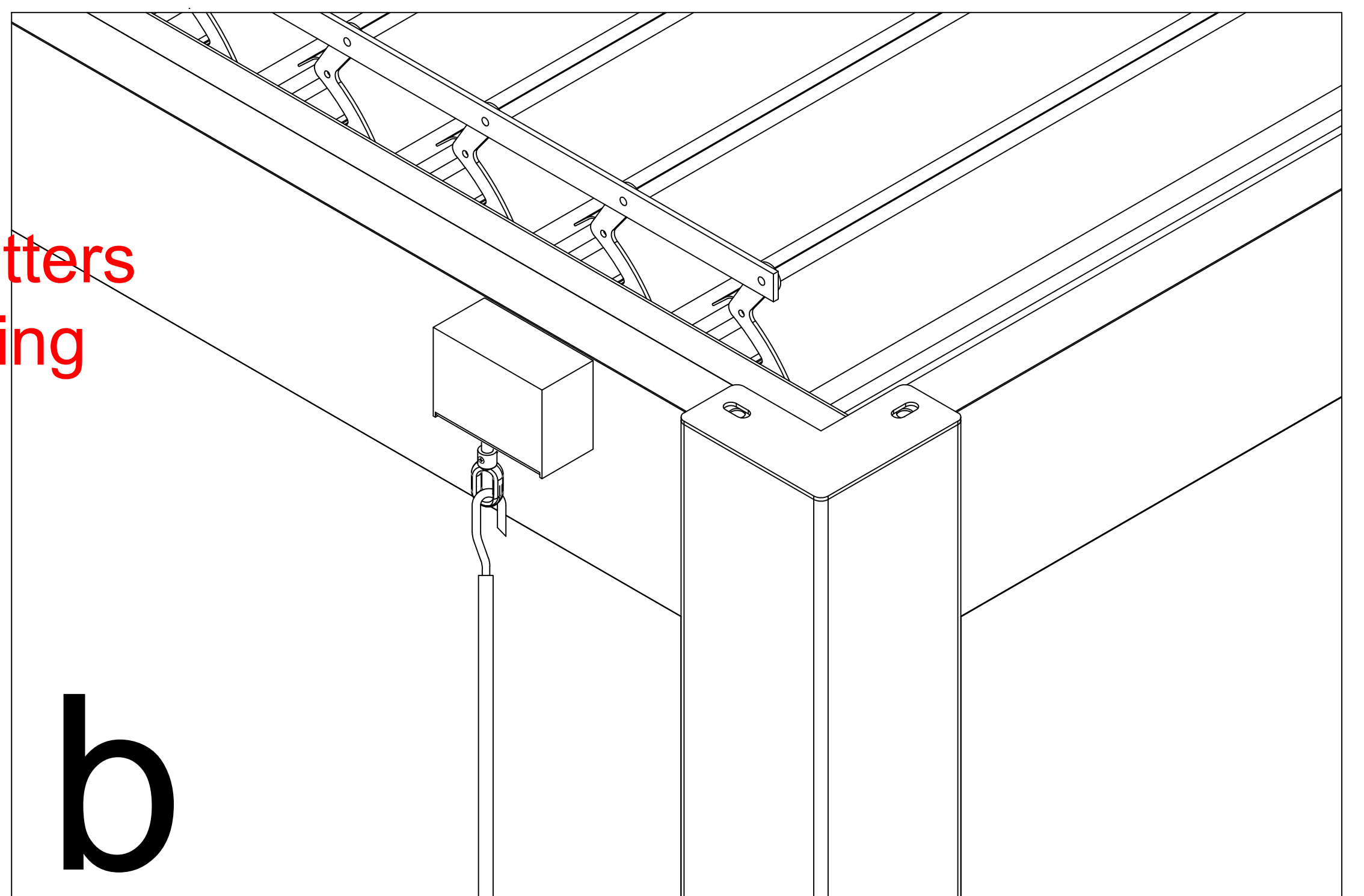


3B-24		1
-------	---	---





Warning
In Snow / Wind season or in case of
snow / wind forecast open up your shutters
in vertical position to avoid any damaging
on your pergola.



3B-15		1
-------	--	---

