

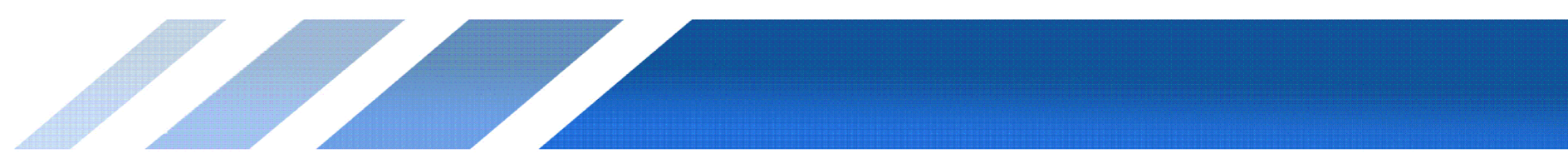
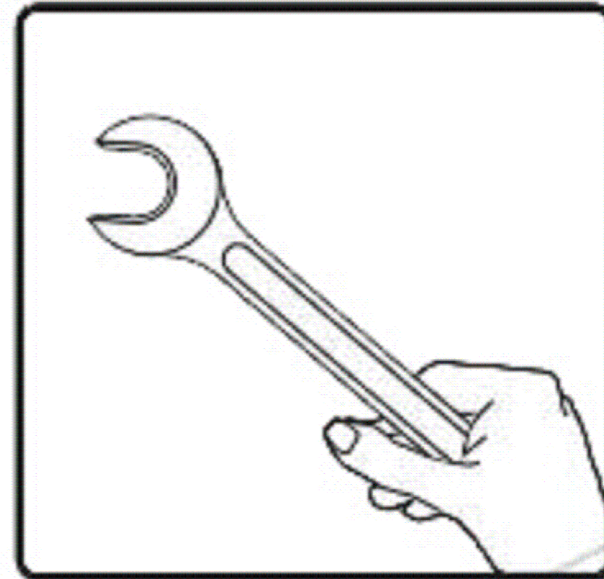
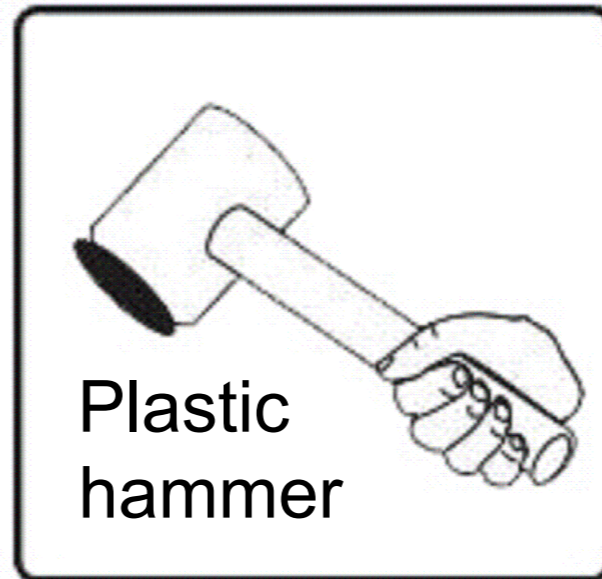
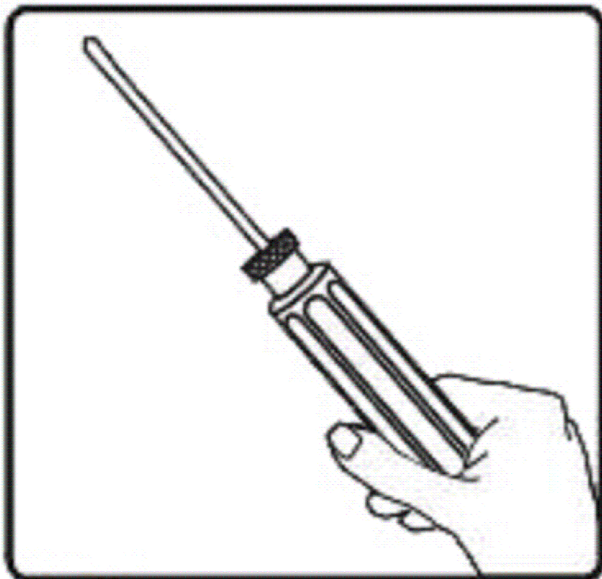
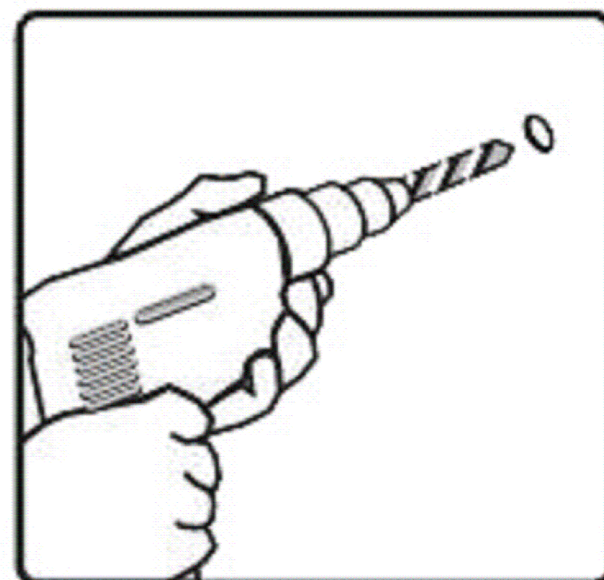
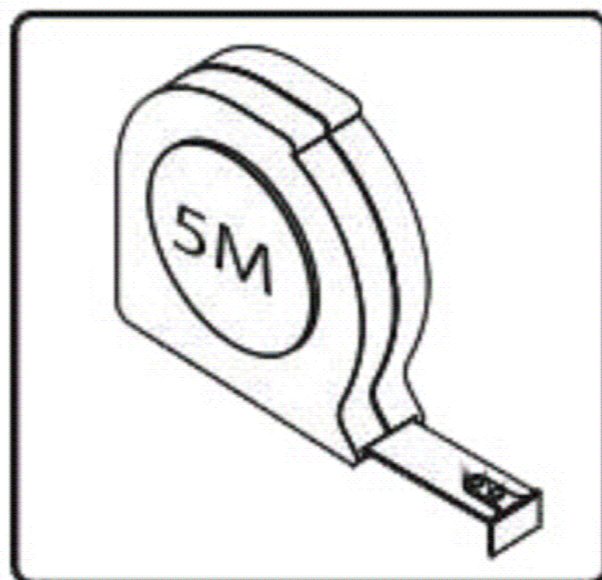
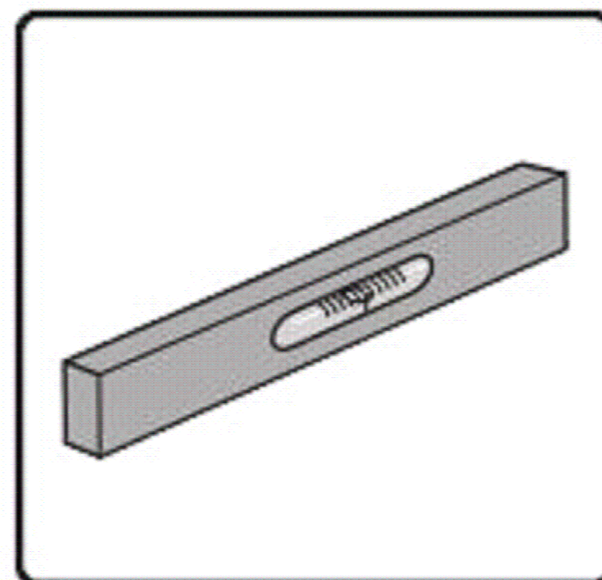
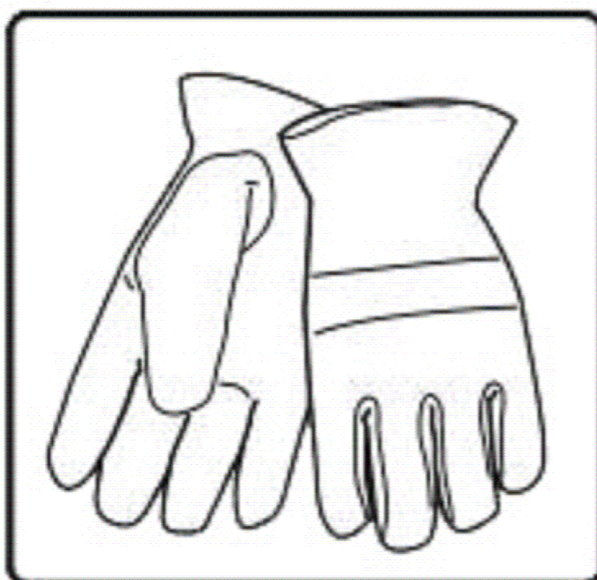
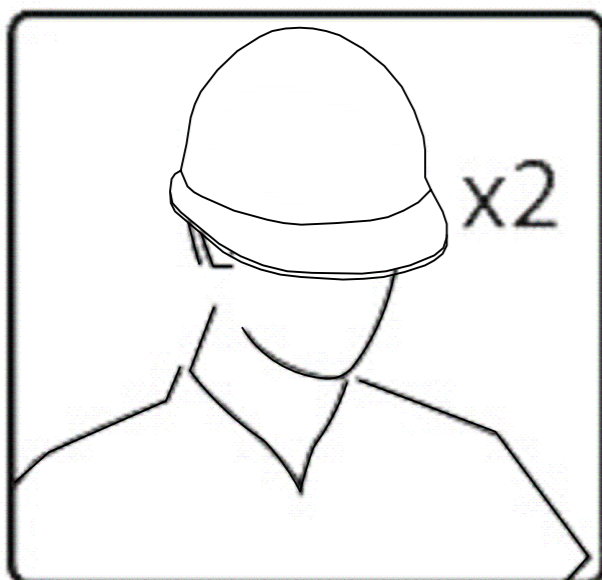
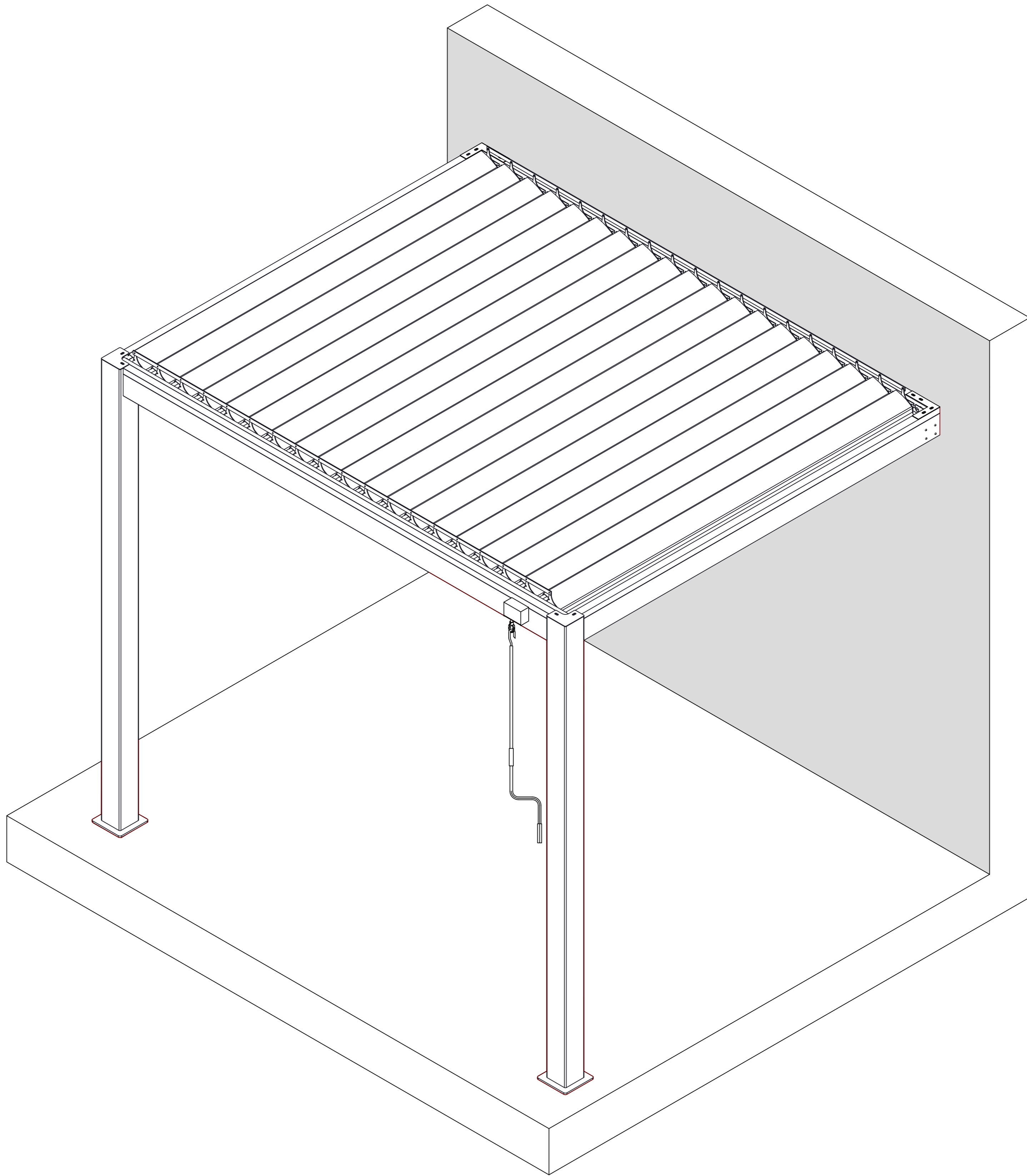


LIVING CULTURE

## MANUAL PERGOLA WALL MOUNTED 2 POSTS

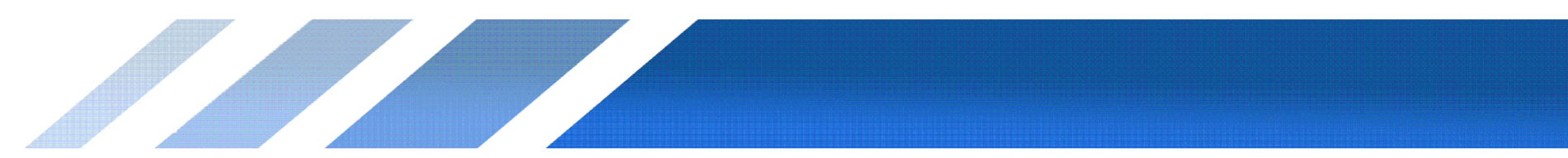
**2x2m**



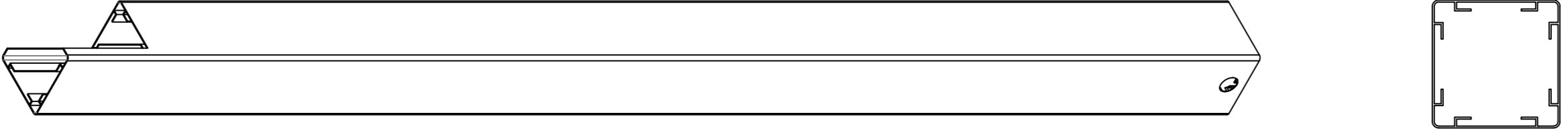
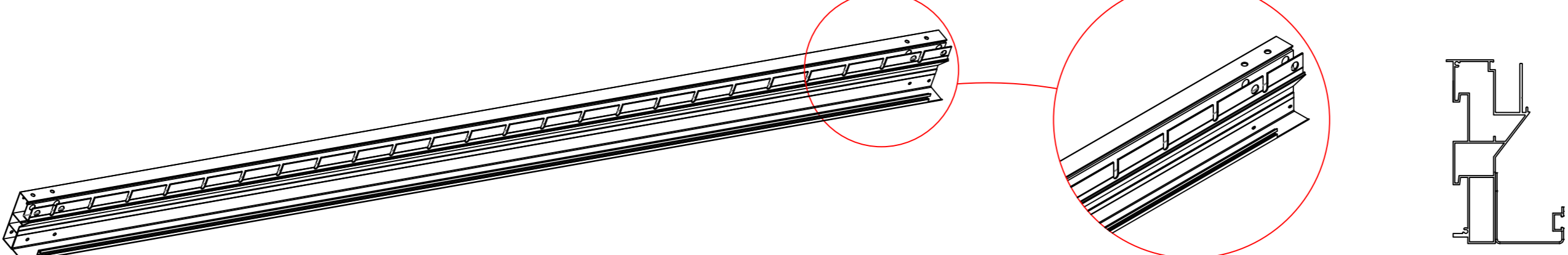
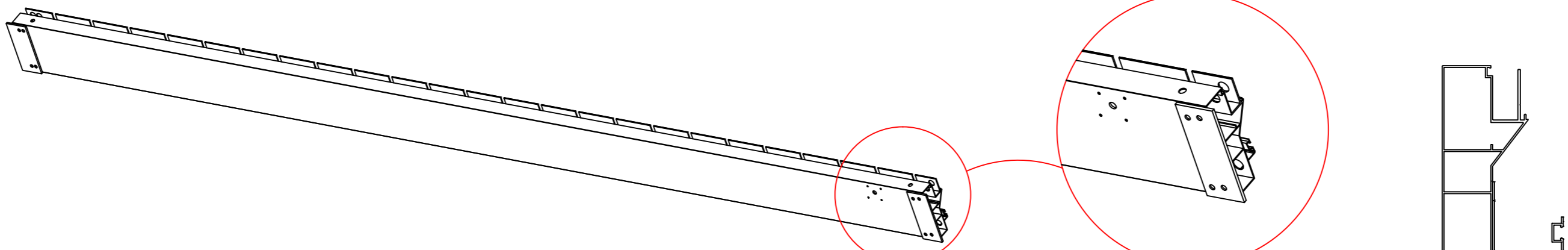
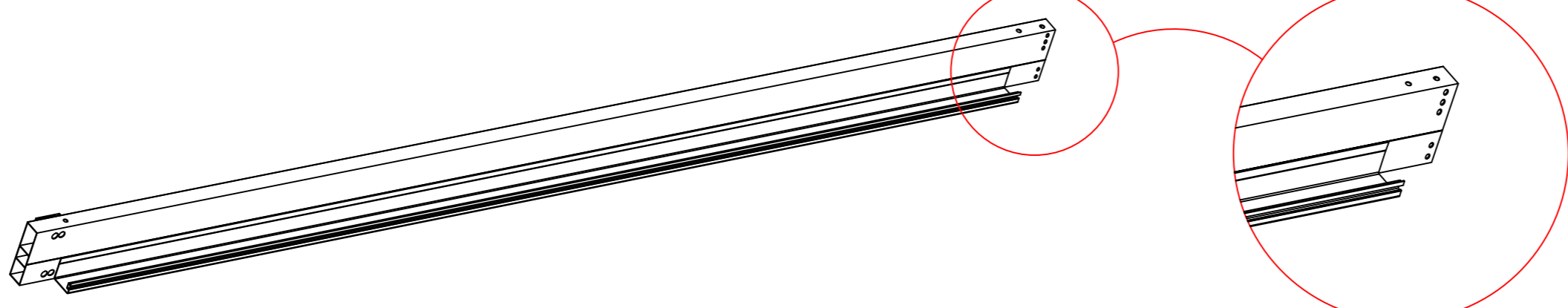
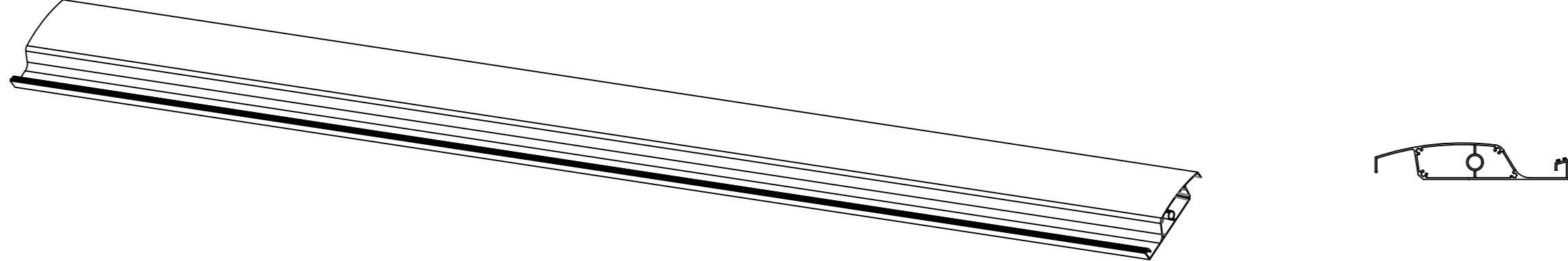
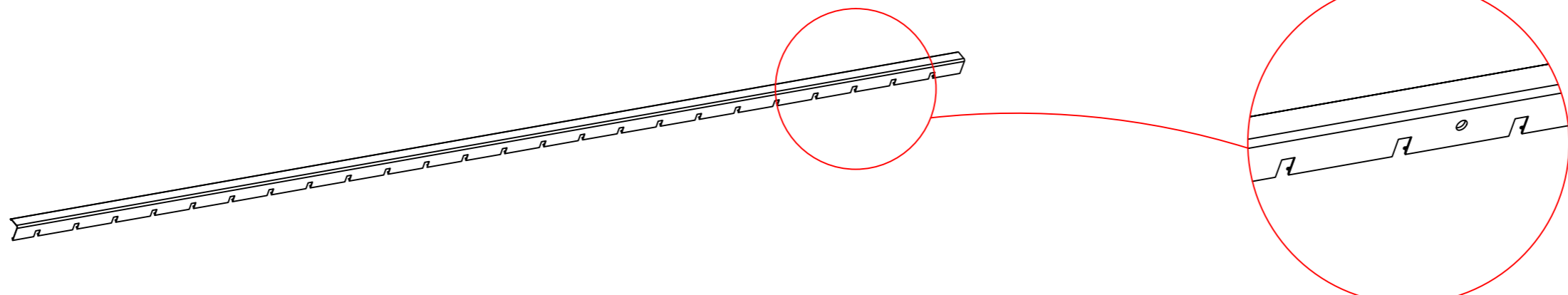
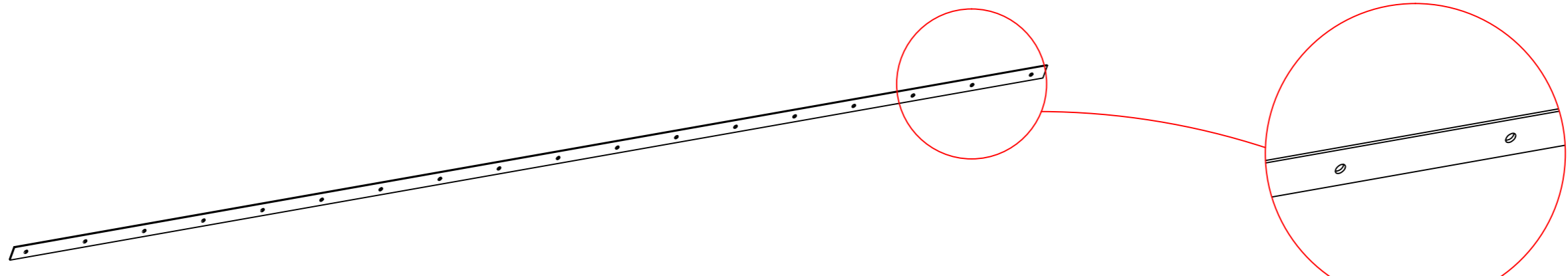
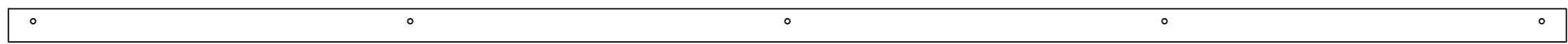


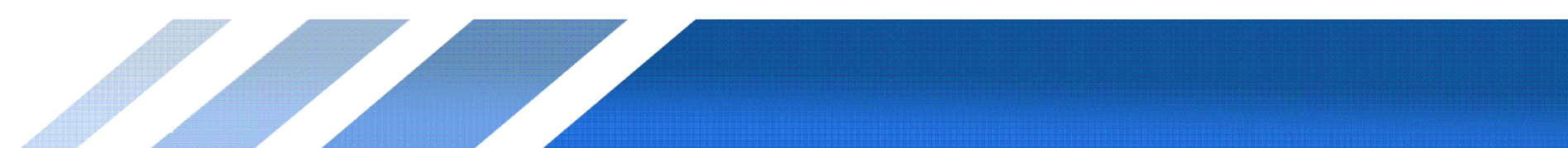


	Item	Qty	Item	Qty	Item	Qty	Item	Qty
Carton 1/2	3B-01	2	3B-11	2	3B-12	2	3B-13	2
	3B-14	1	3B-15	1	3B-16	1	3B-18	1
	3B-19	16	3B-20	26	3B-21	8	3B-23	15
	3B-24	1	3B-35	2	3B-40	2	3B-41	2
	3B-42a	10	3B-42b	10	3B-46	2	3B-48	13
	3B-49	12	3B-50	1	3B-51	104	3B-53	4
	3B-54	6	3B-55	2	3B-62	8	3B-39	8
Carton 2/2	3B-02	1	3B-03	1	3B-04	2	3B-56	1
	3B-06	13	3B-08	2	3B-09	2		





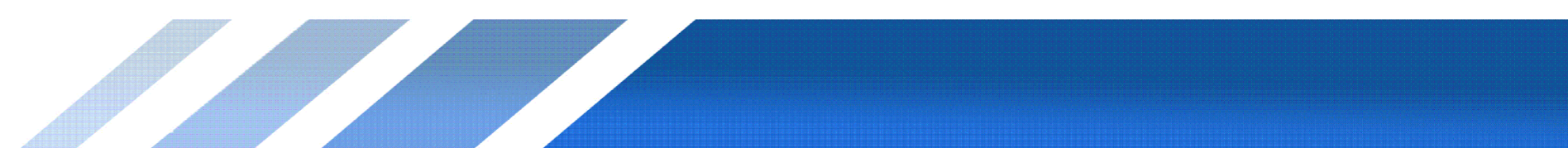
Item	Drawings	Qty
3B-01		2
3B-02		1
3B-03		1
3B-04		2
3B-06		13
3B-08		2
3B-09		2
3B-56		1

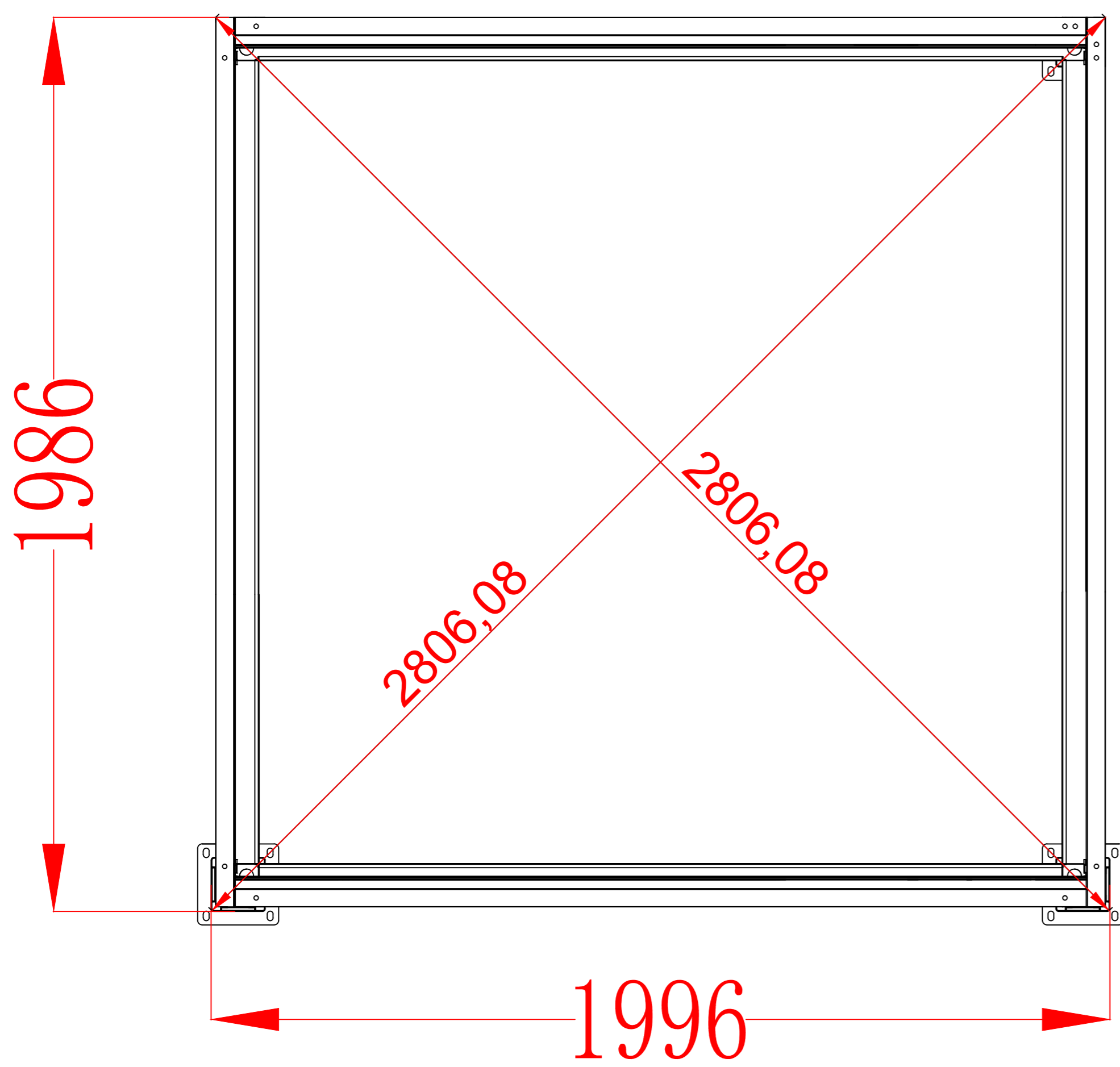
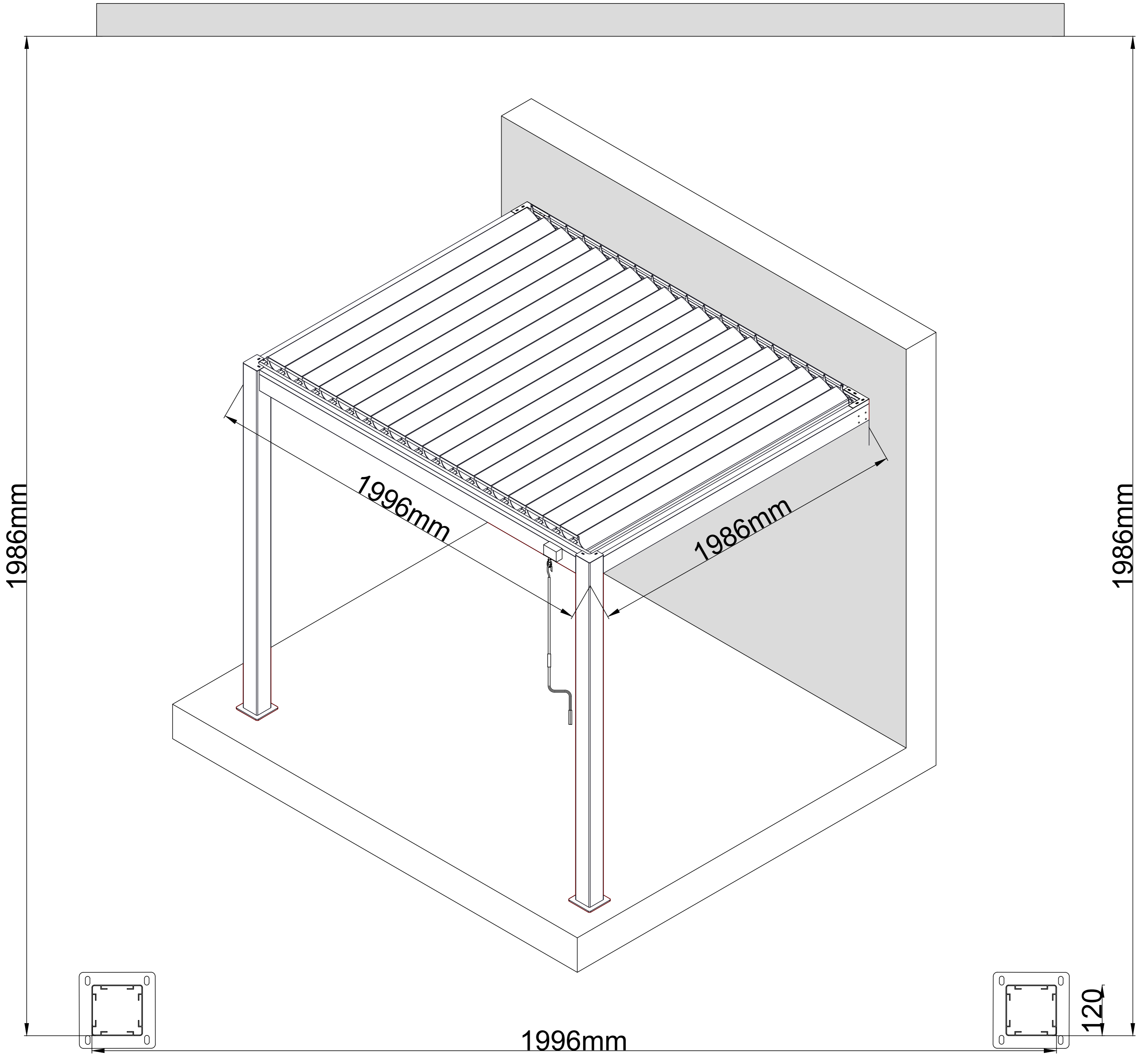




Item	Drawings	Qty
3B-11		2
3B-12		2
3B-13		2
3B-14		1
3B-15		1
3B-16		1
3B-18		1
3B-19	 M8*20	16+2
3B-20		26+2
3B-21	 M10*80	8
3B-23	 M4.2*19	15+2
3B-24		1
3B-35		2
3B-39	 M8*100	8

Item	Drawings	Qty
3B-40		2
3B-41		2
3B-42a	 M6*16	10
3B-42b	 M6*16 P	8
3B-46		2
3B-48		13
3B-49		12
3B-50		1
3B-51	 M4.2*25	104+4
3B-53		4
3B-54	 M4.2*25	4
3B-55		2
3B-62	 M14*75 M10*100	8



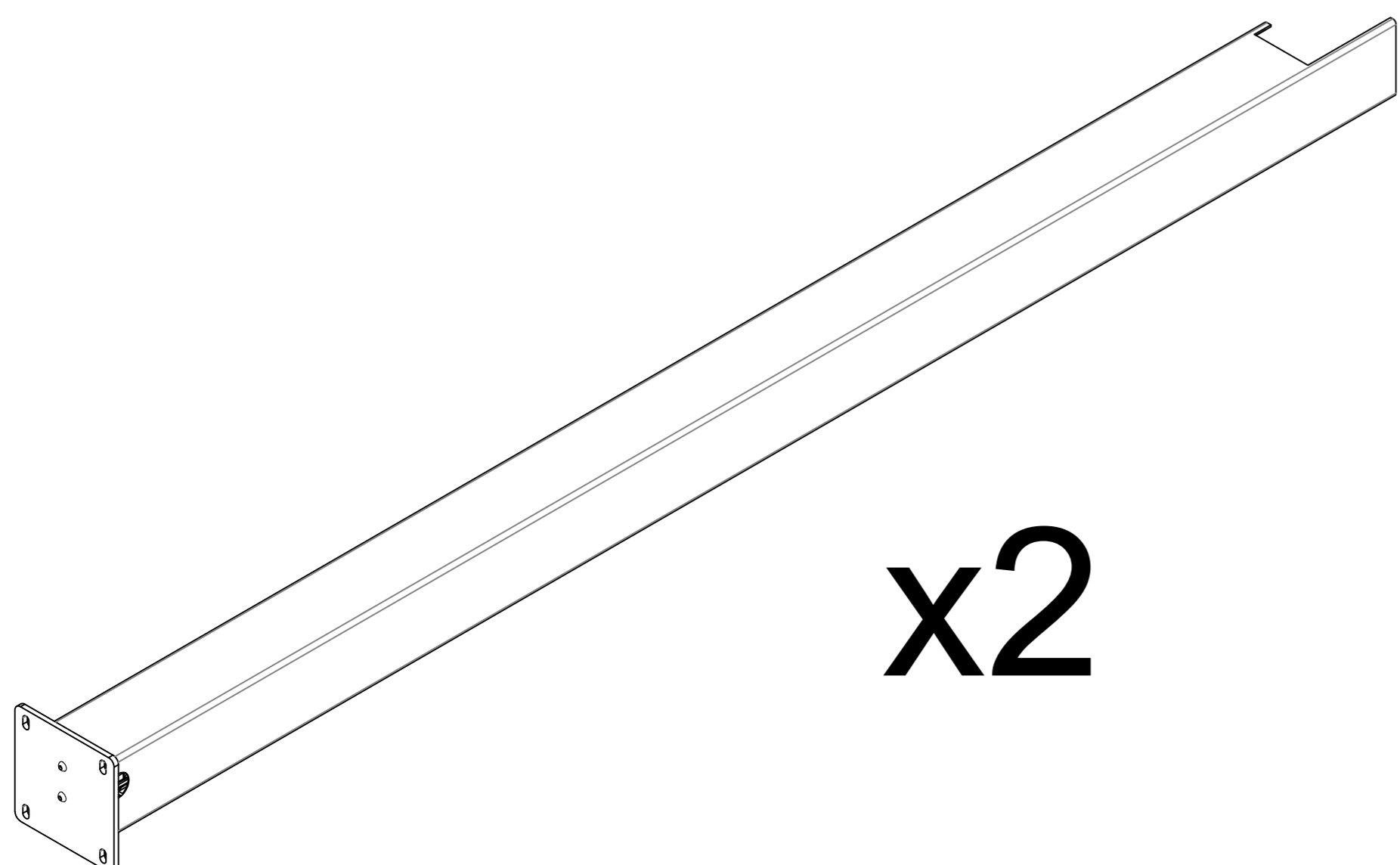
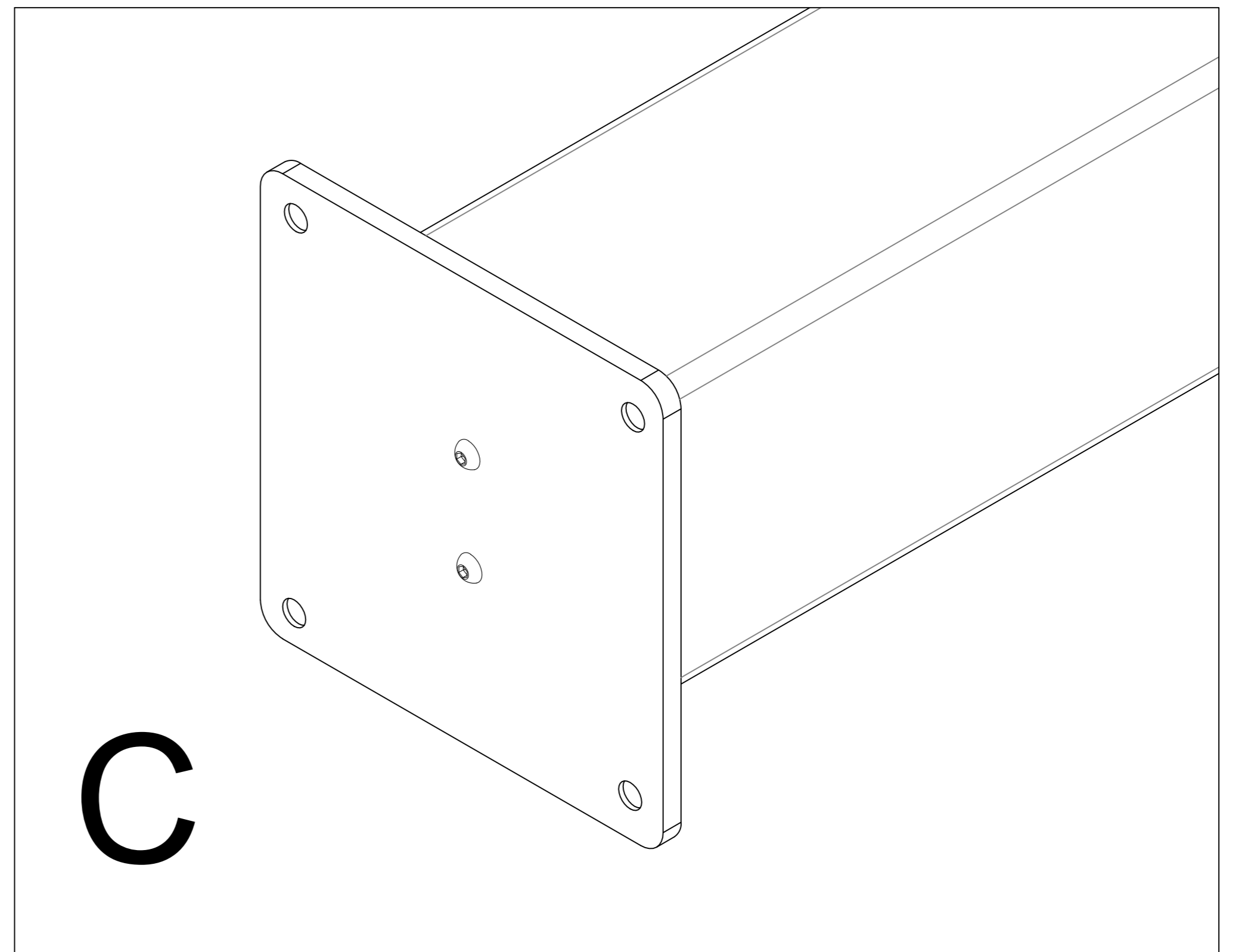
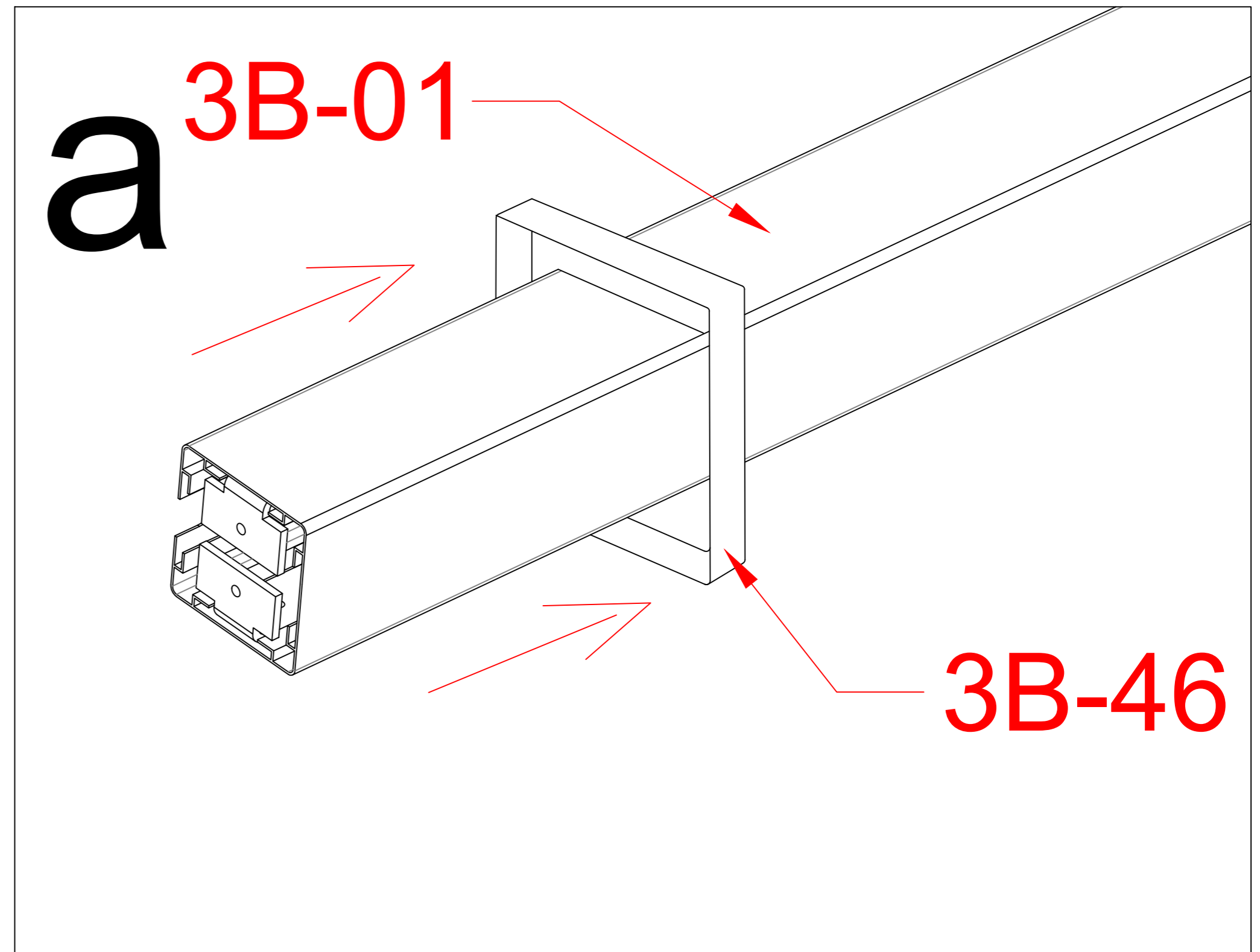
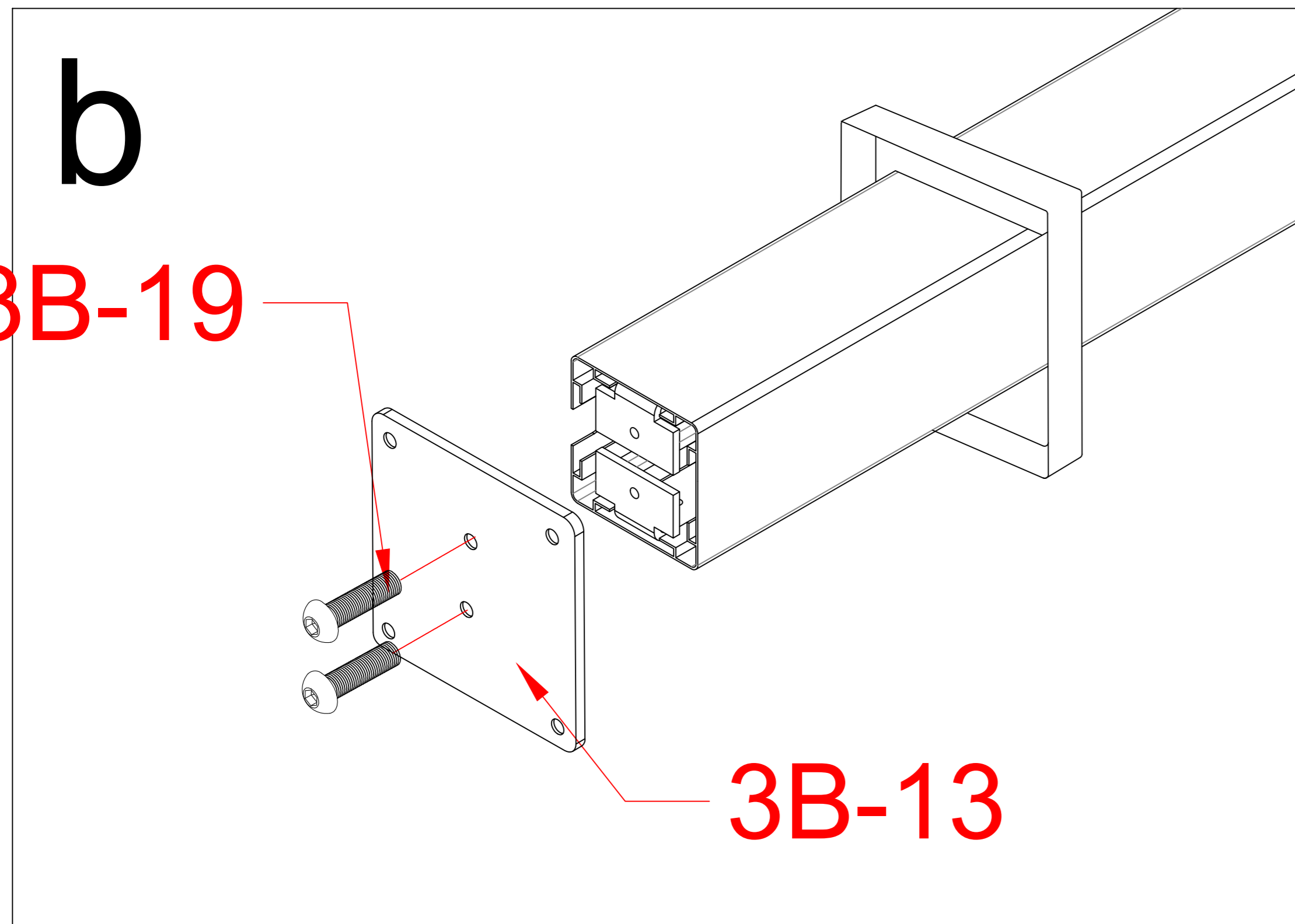


Before installing the bottom expansion screws, please be sure to correct the frame size

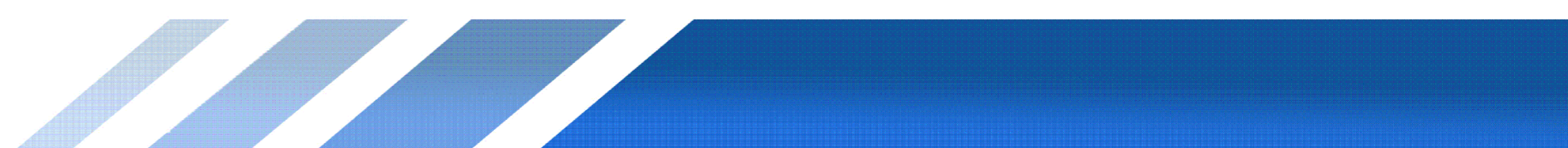


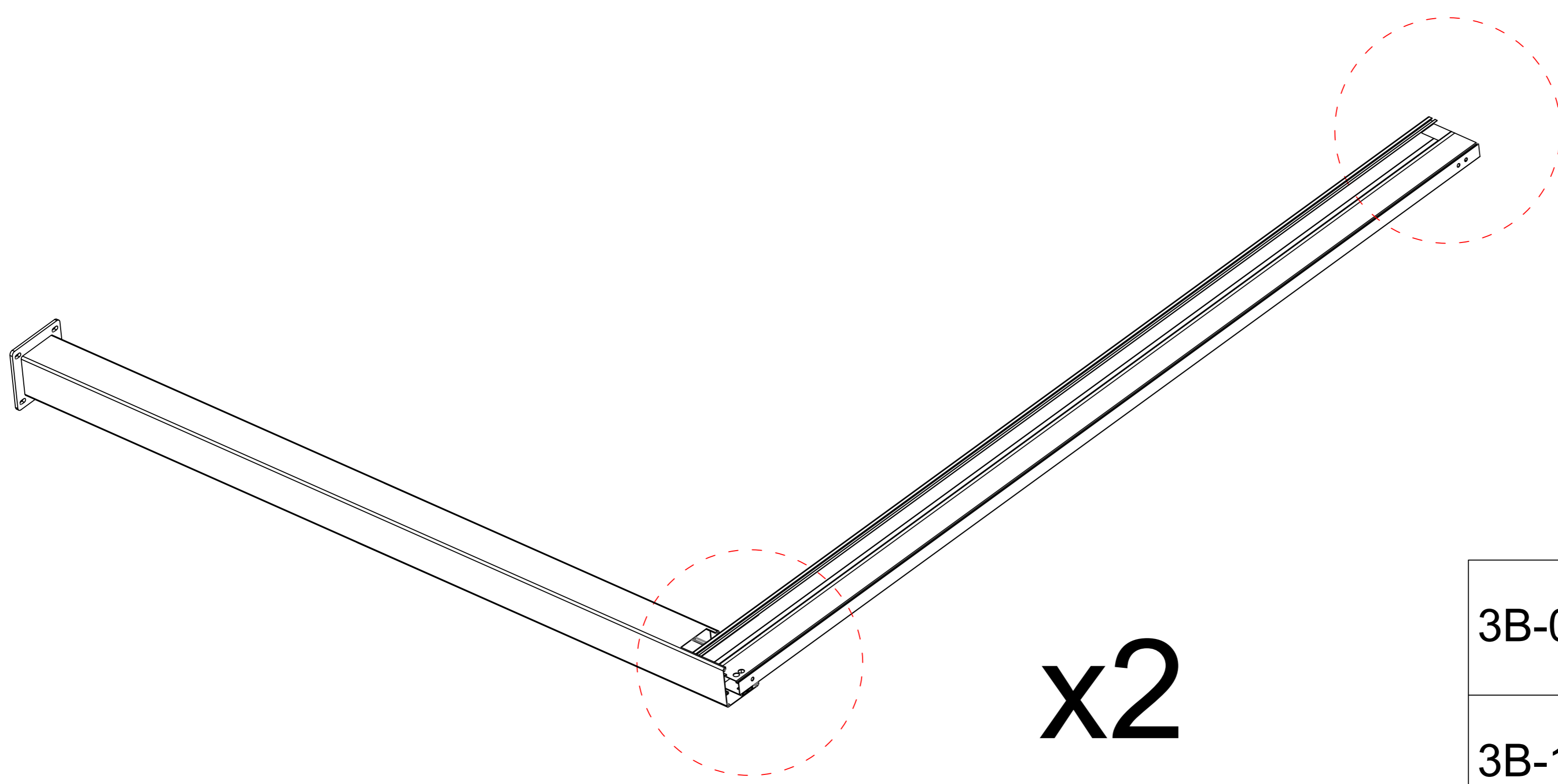
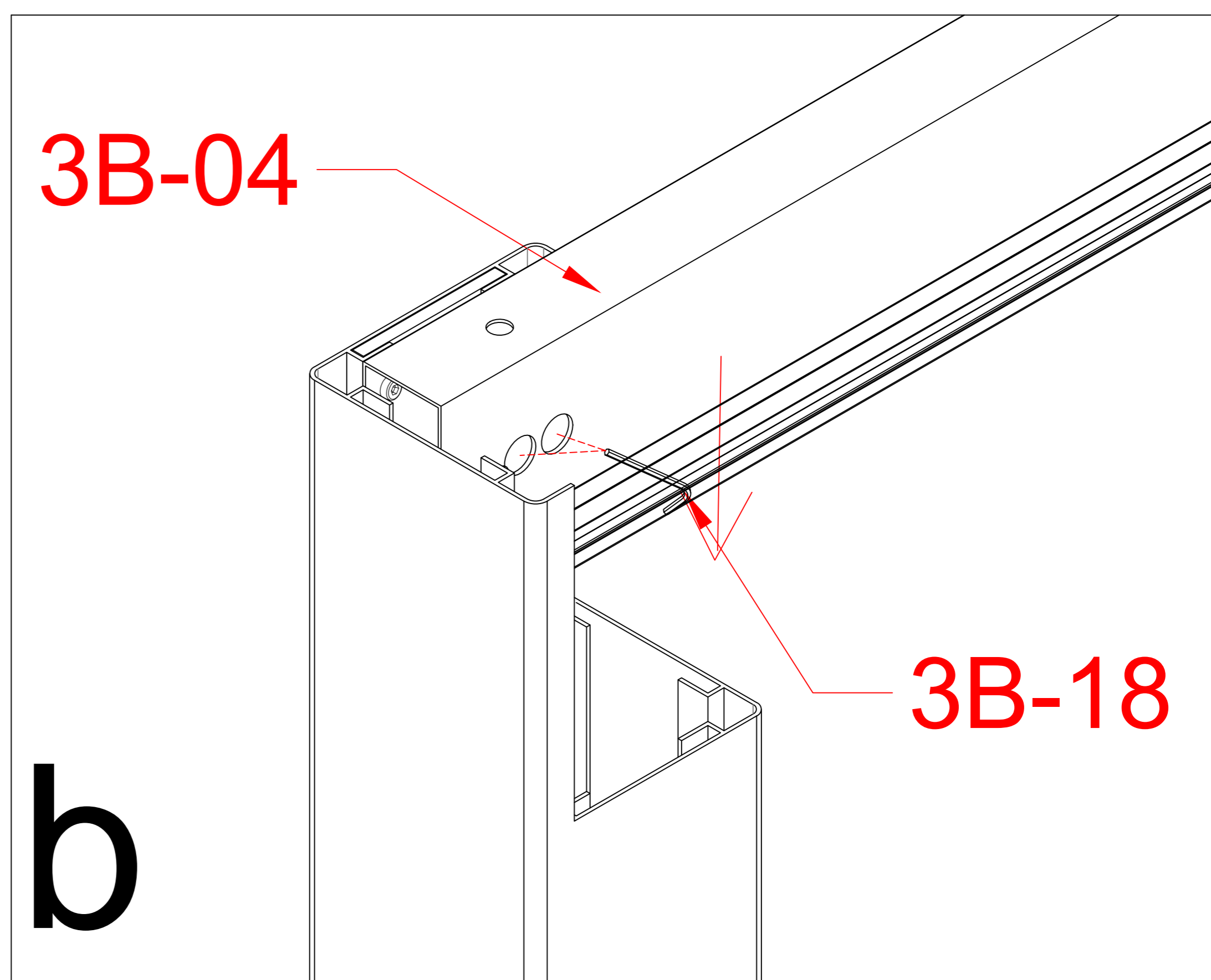
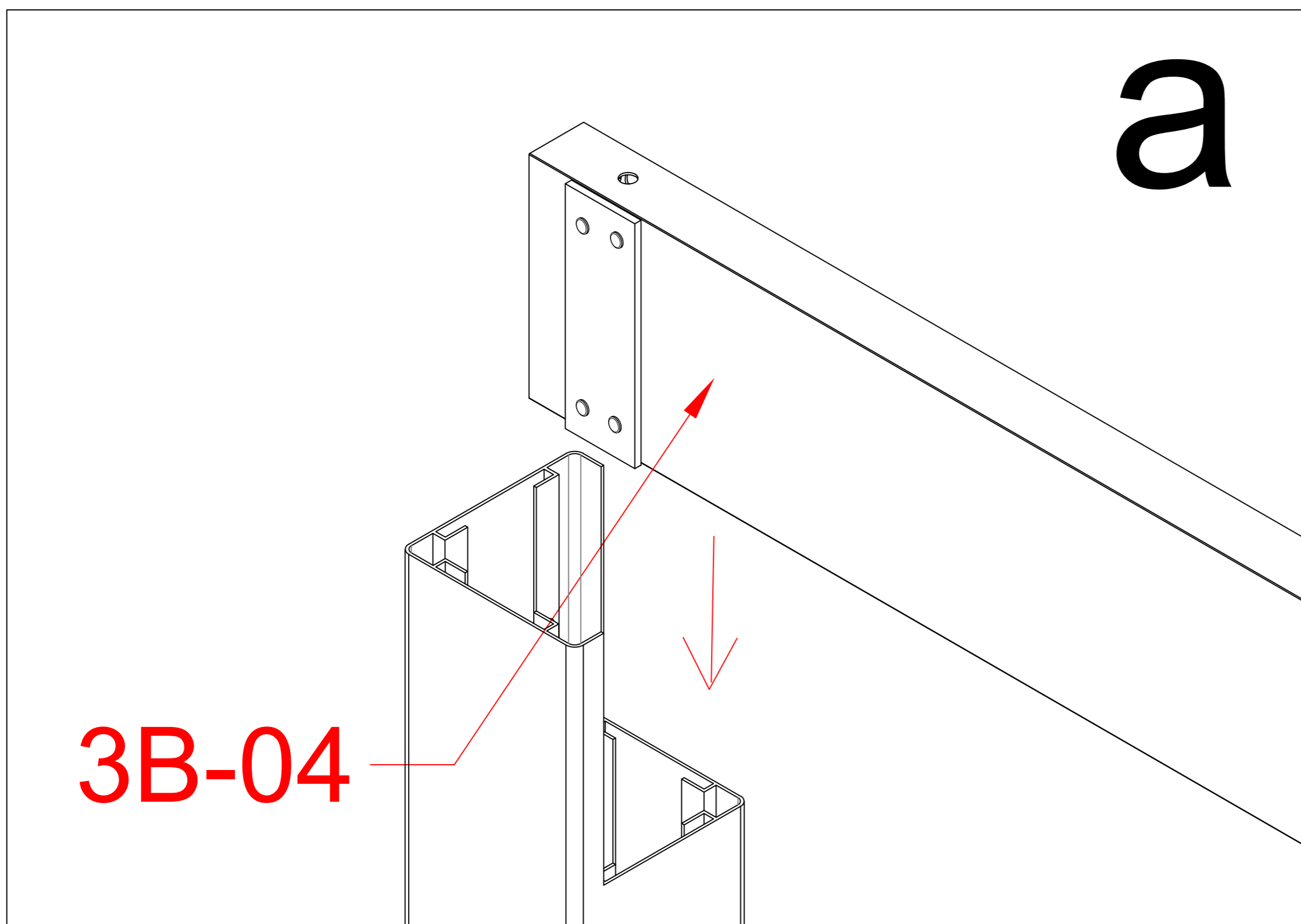


During the installation process, if you encounter any uncertainties, please refer to the installation instructions on the product page of the website.

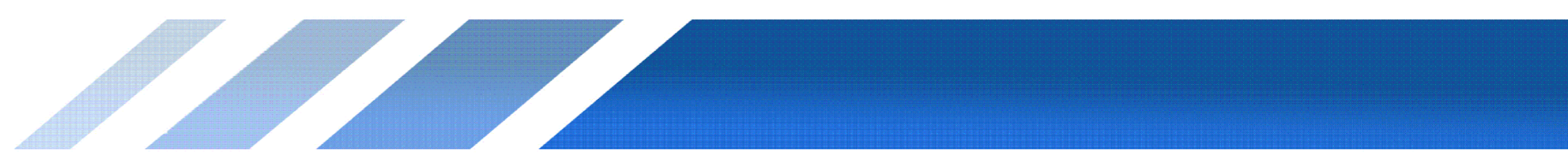


3B-46		2
3B-01		2
3B-13		2
3B-19		4

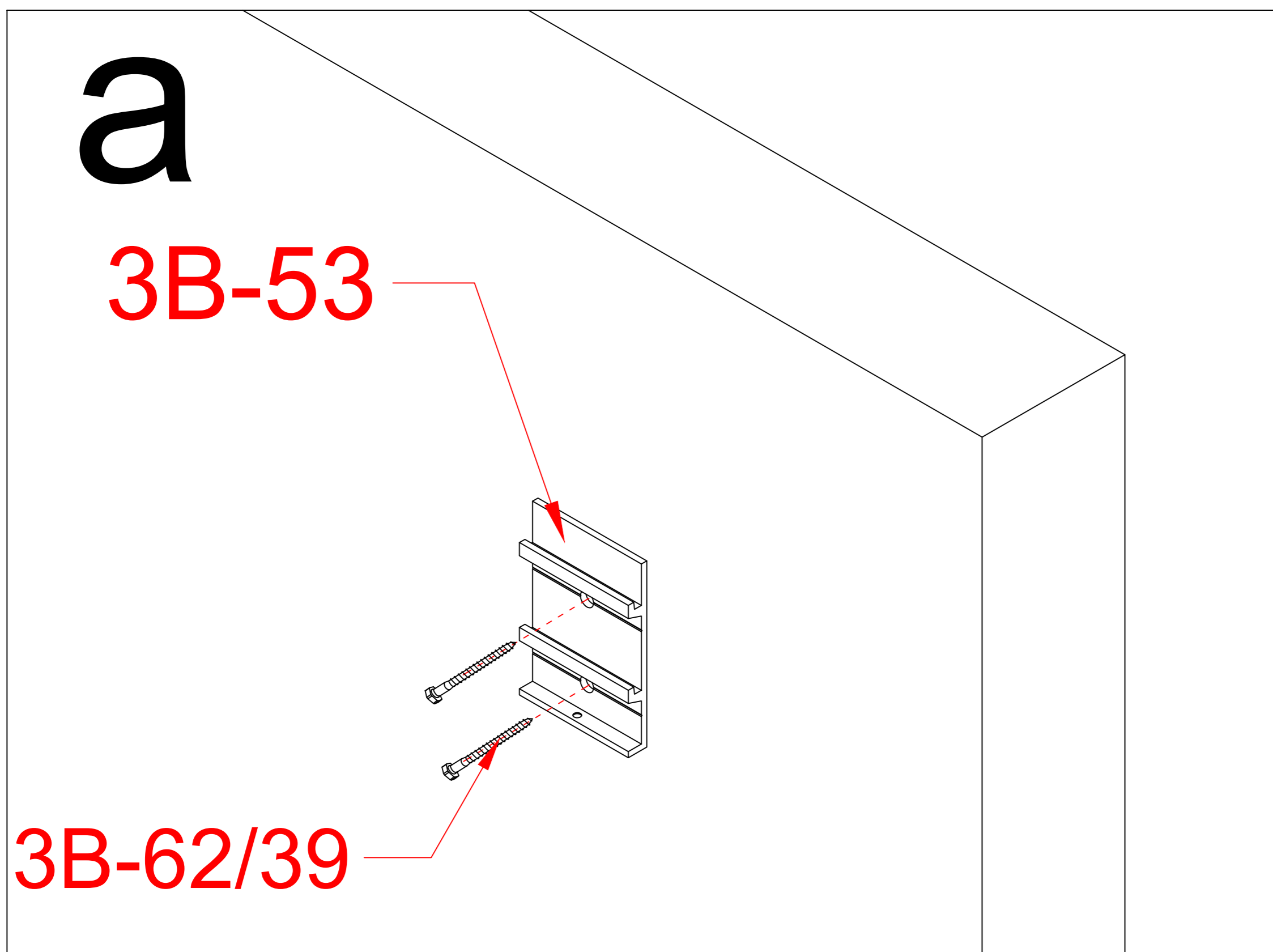




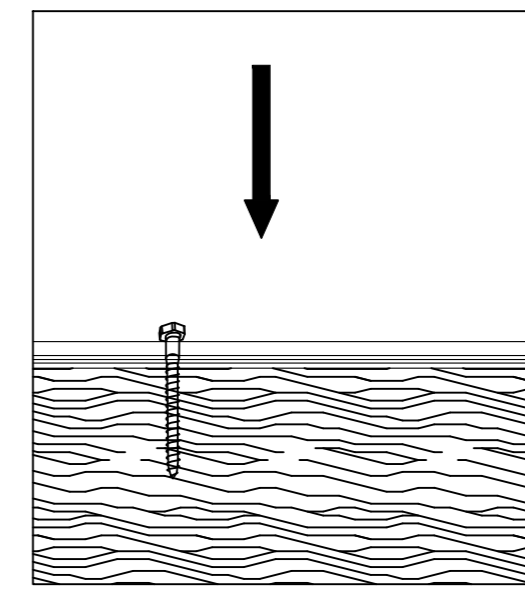
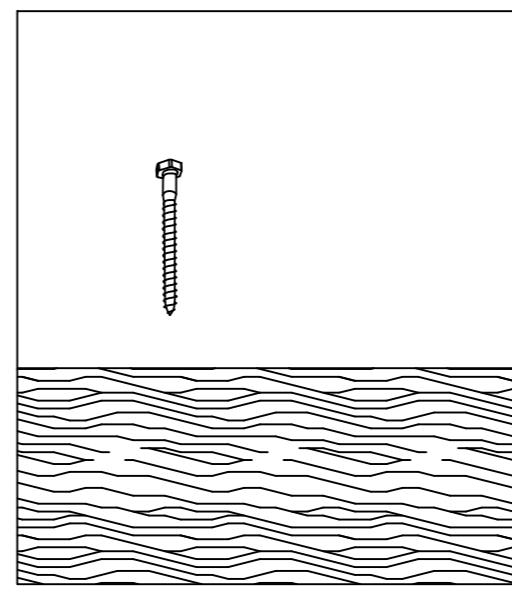
3B-04		2
3B-18		1



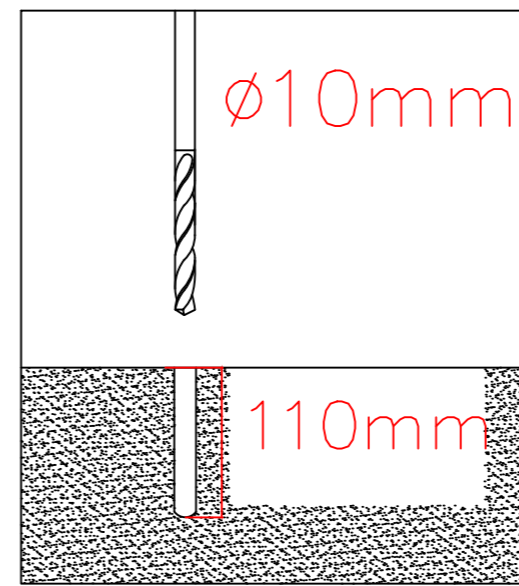




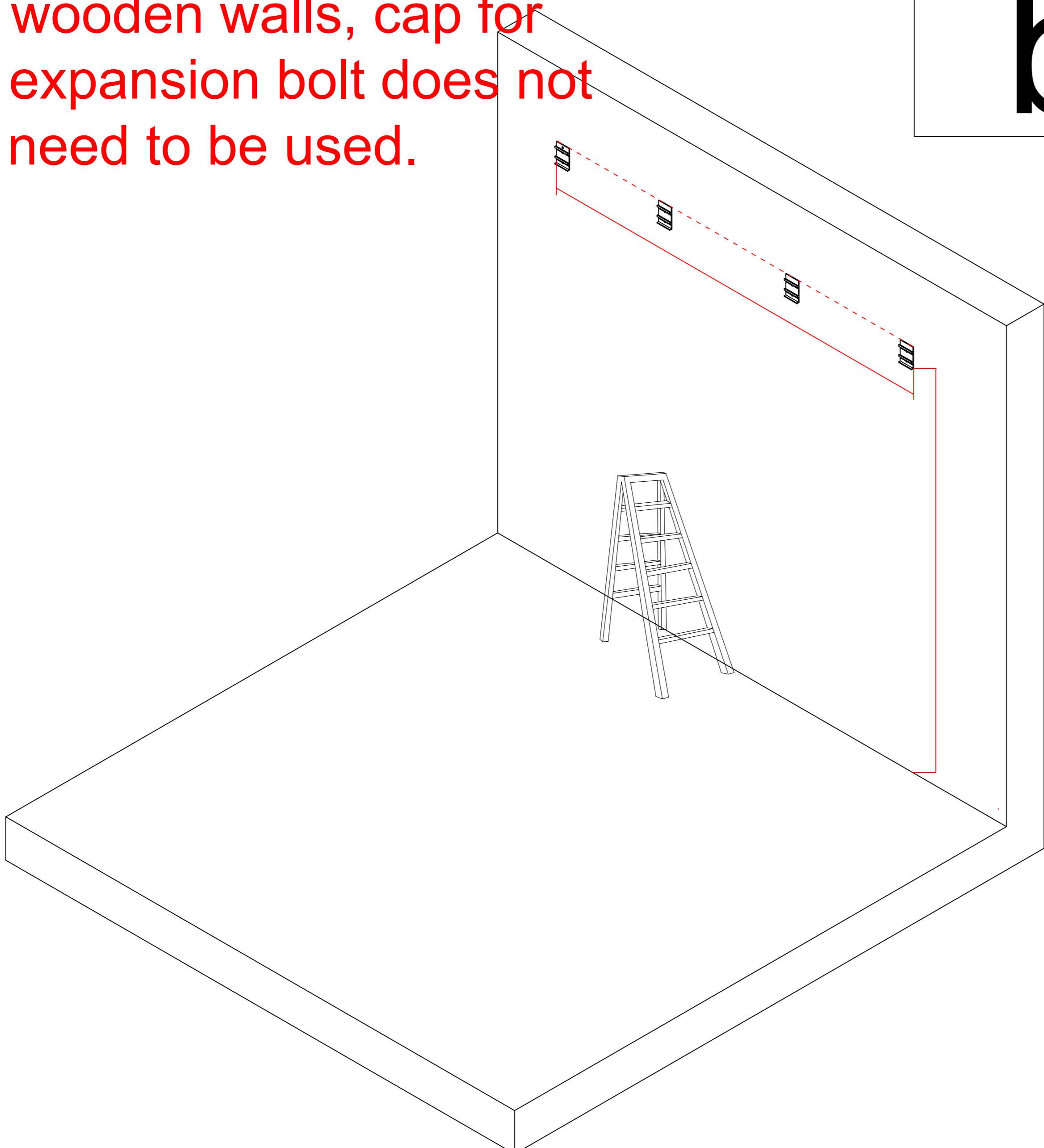
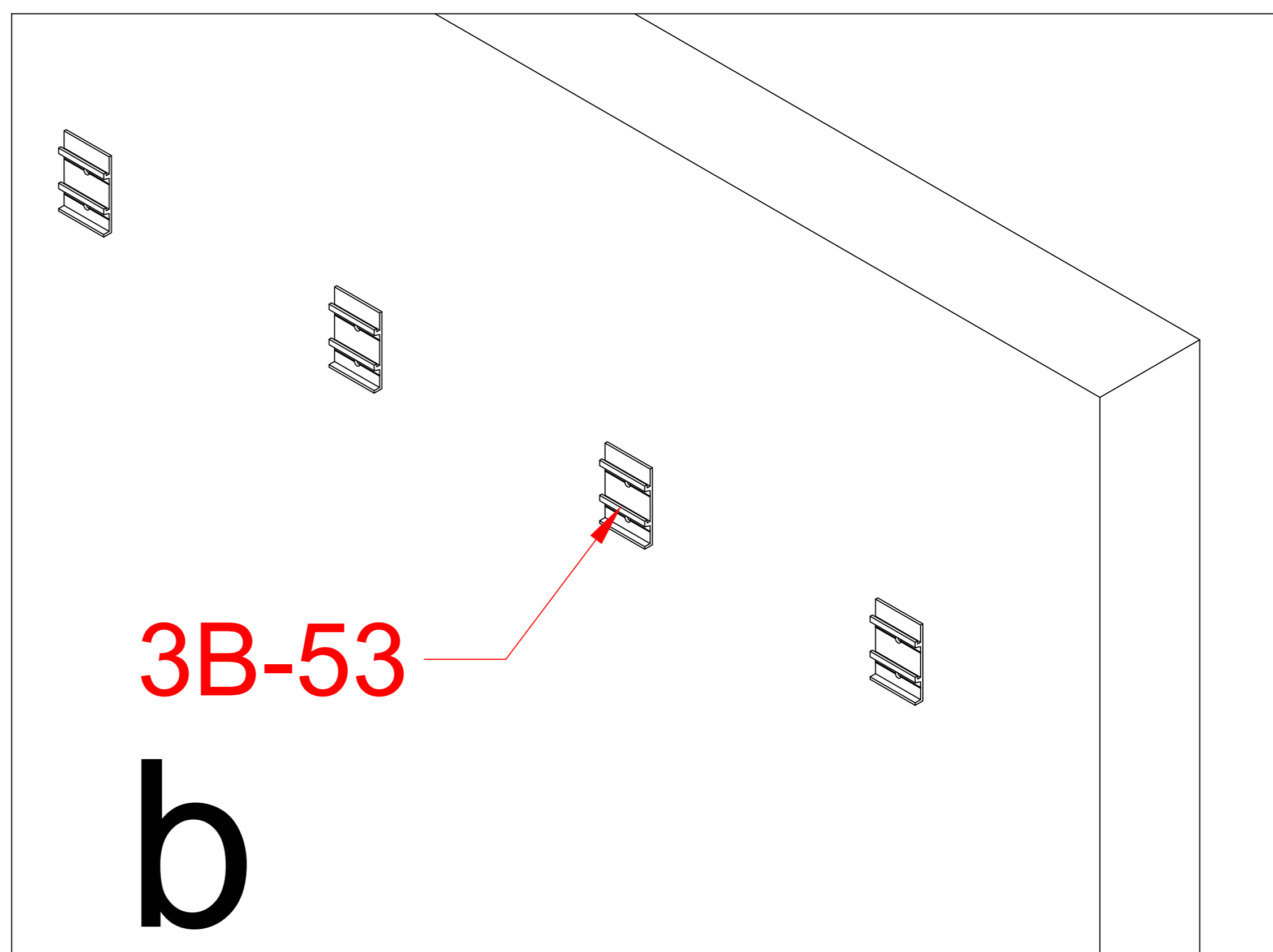
**3B-62:**

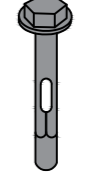

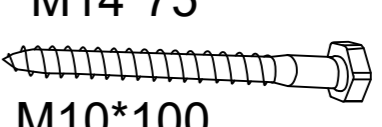
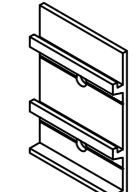


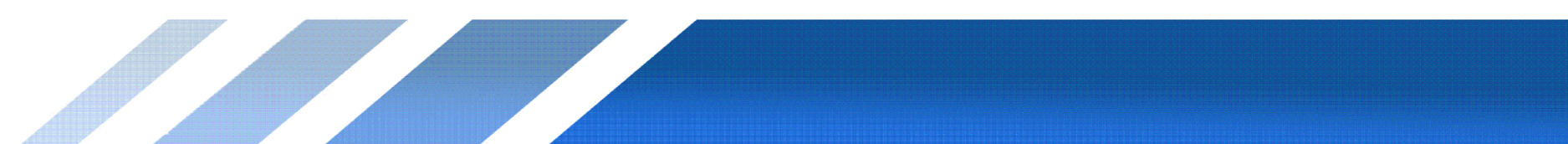
**3B-39:**



- Attention:**
1. Before installing here, please ensure that the wall is flat
  2. If it is a wooden wall, please use 3B-62, and if it is the Cement wall, please use 3B-39
  3. When installing on wooden walls, cap for expansion bolt does not need to be used.

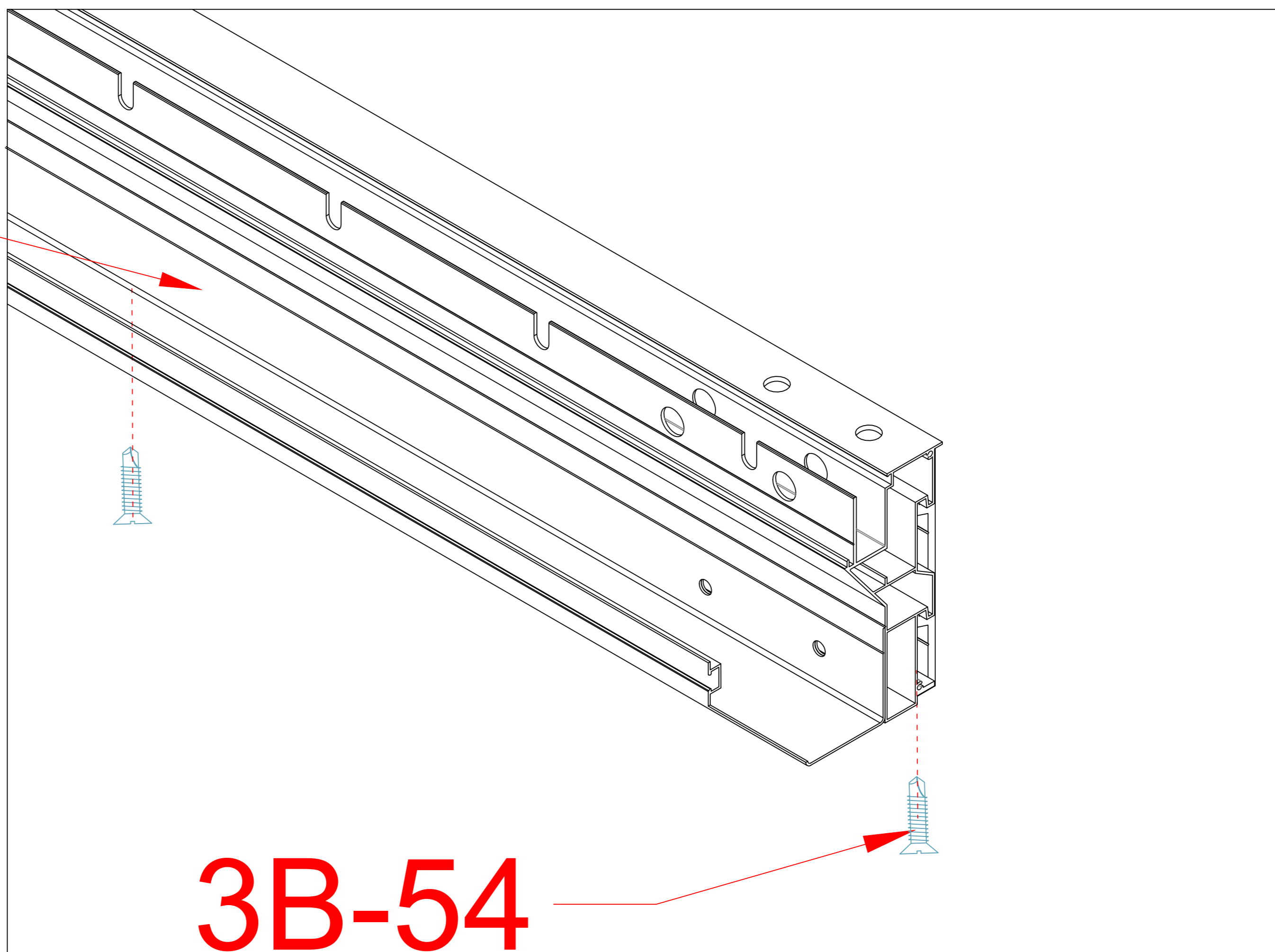


3B-39	 M8*100	8
3B-62	 M14*75  M10*100	8
3B-53		4

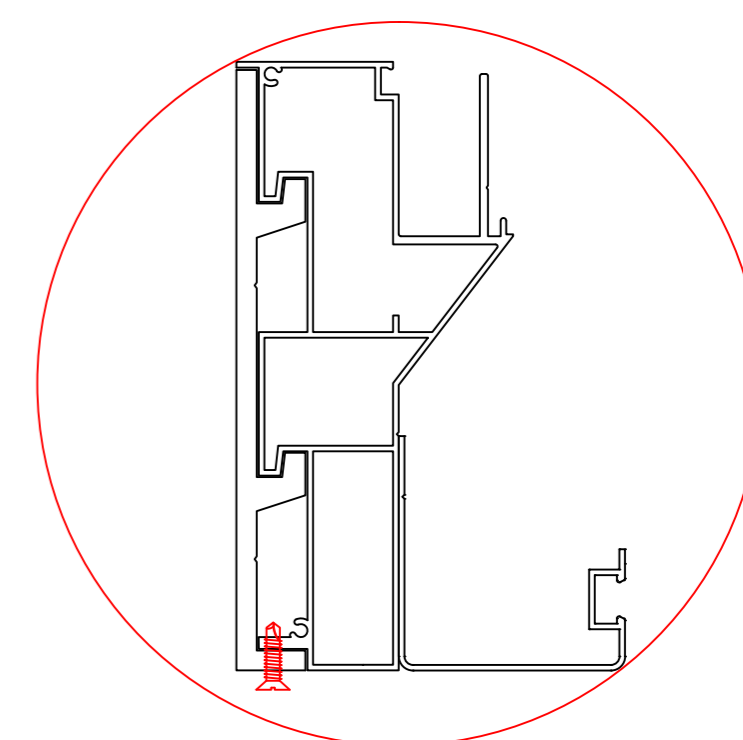




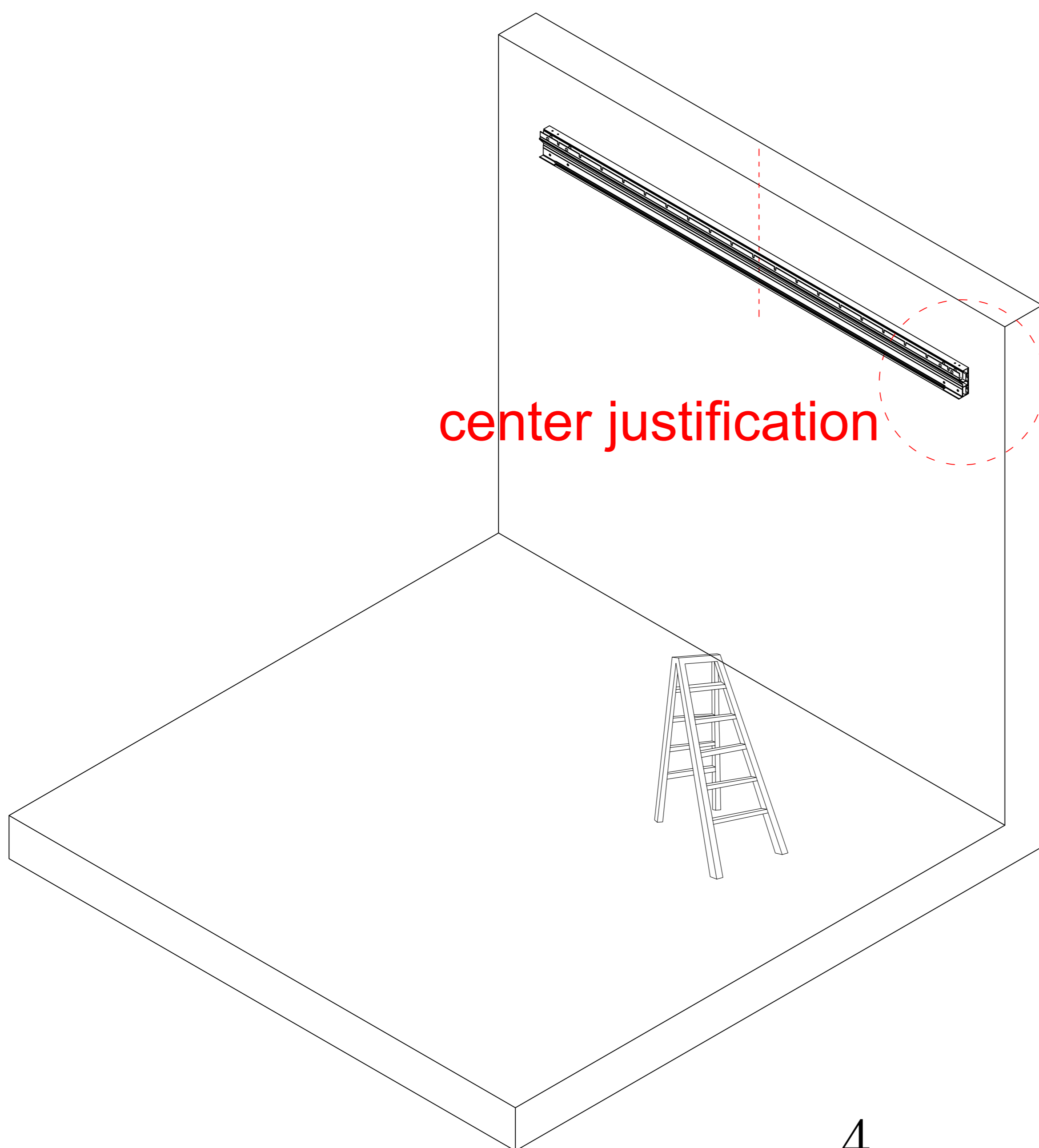
3B-02

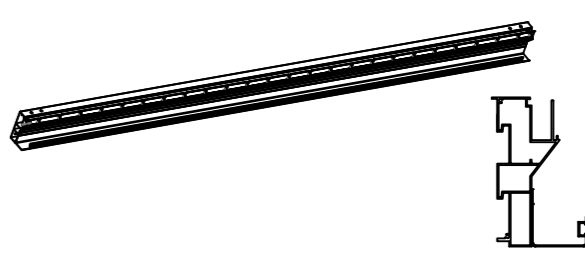
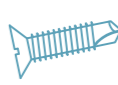


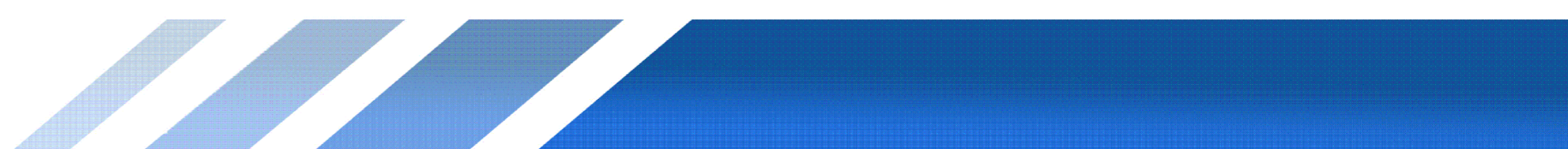
3B-54

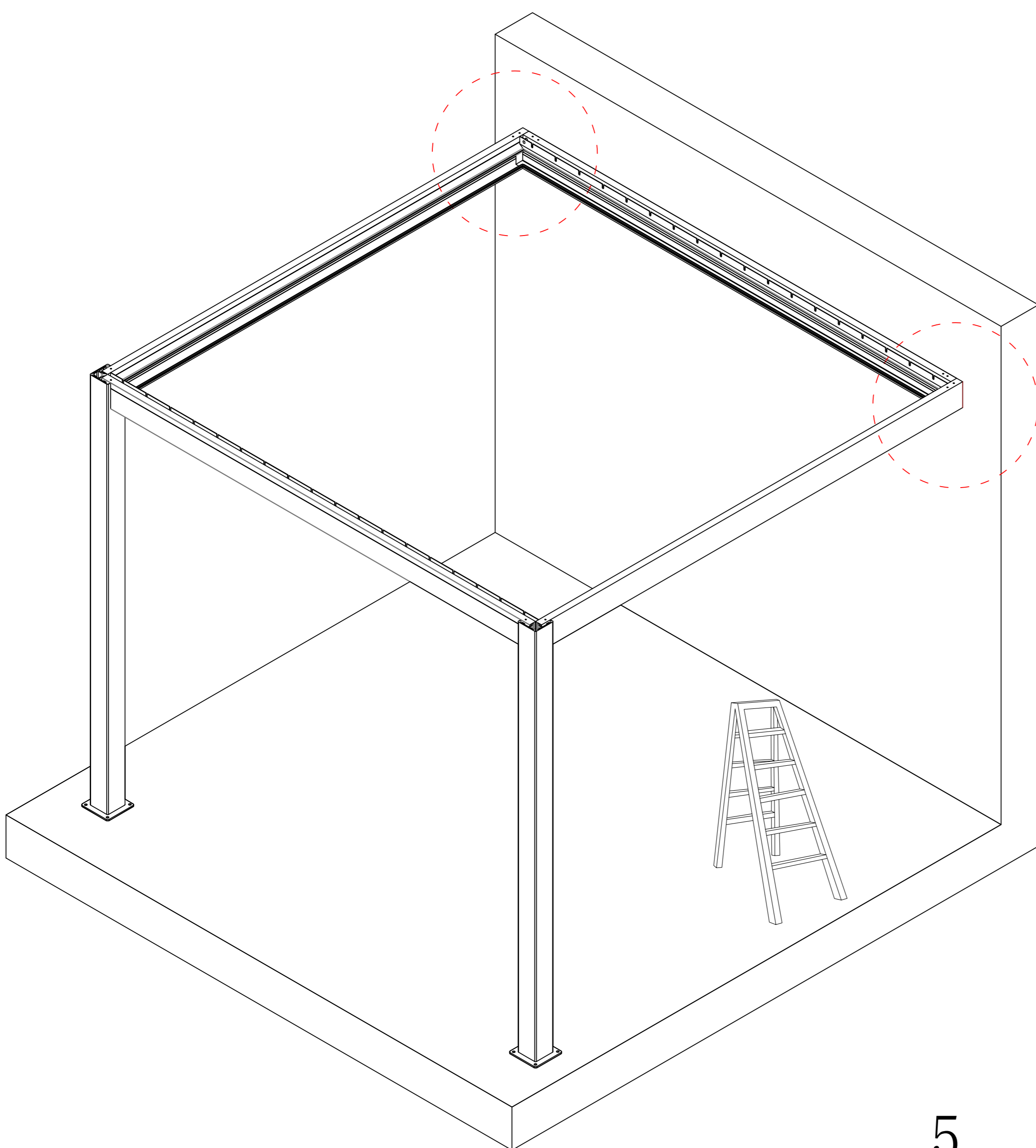
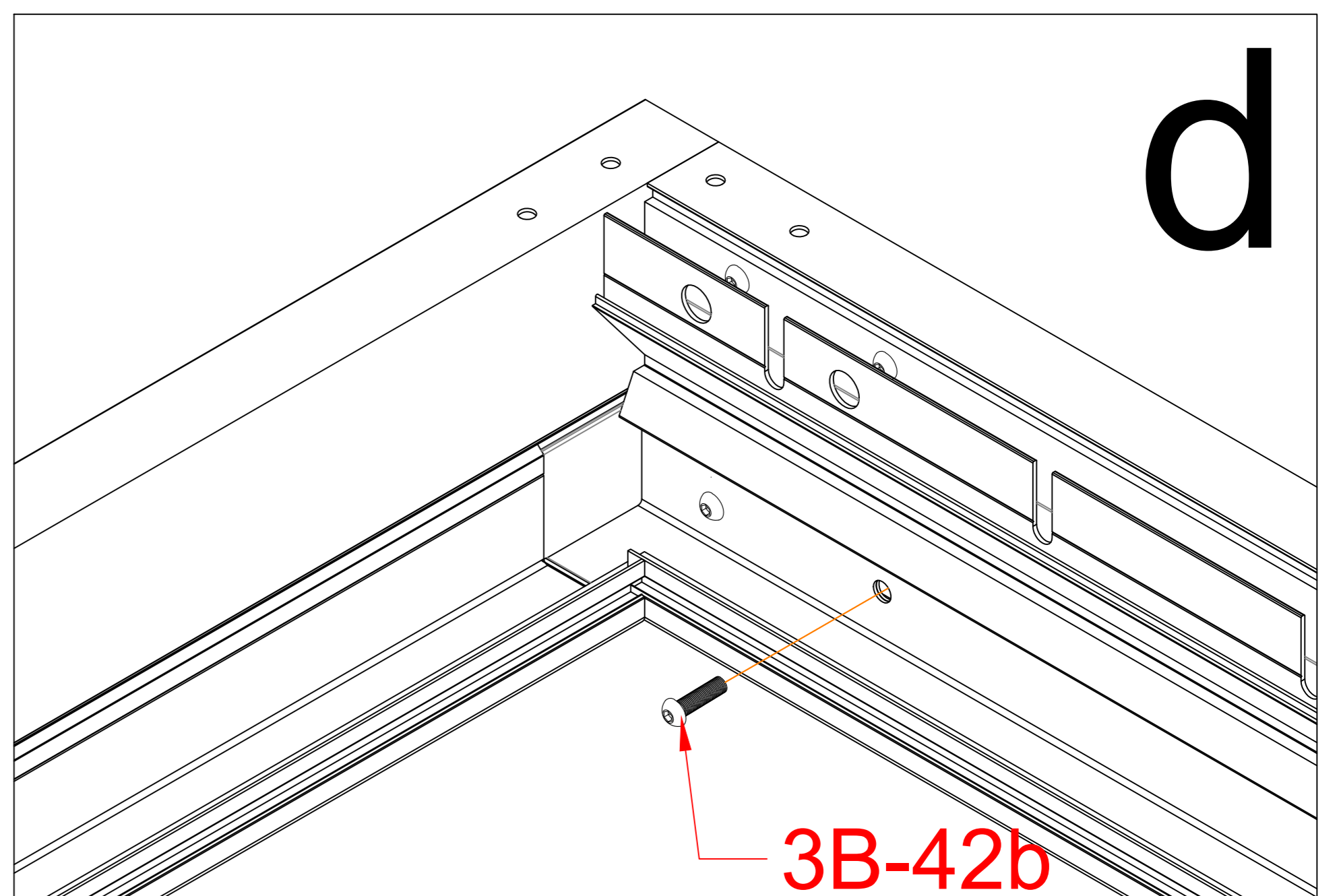
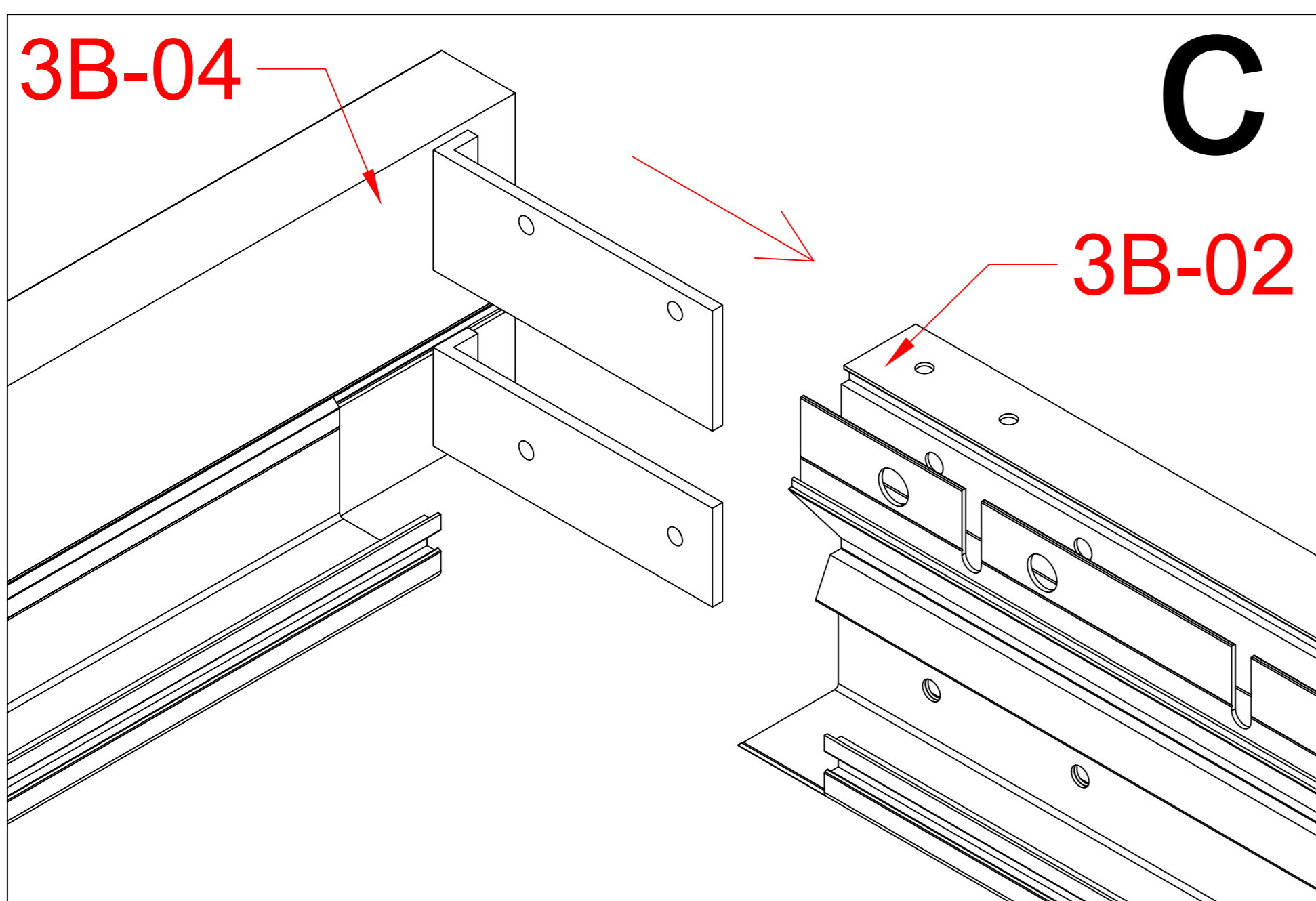
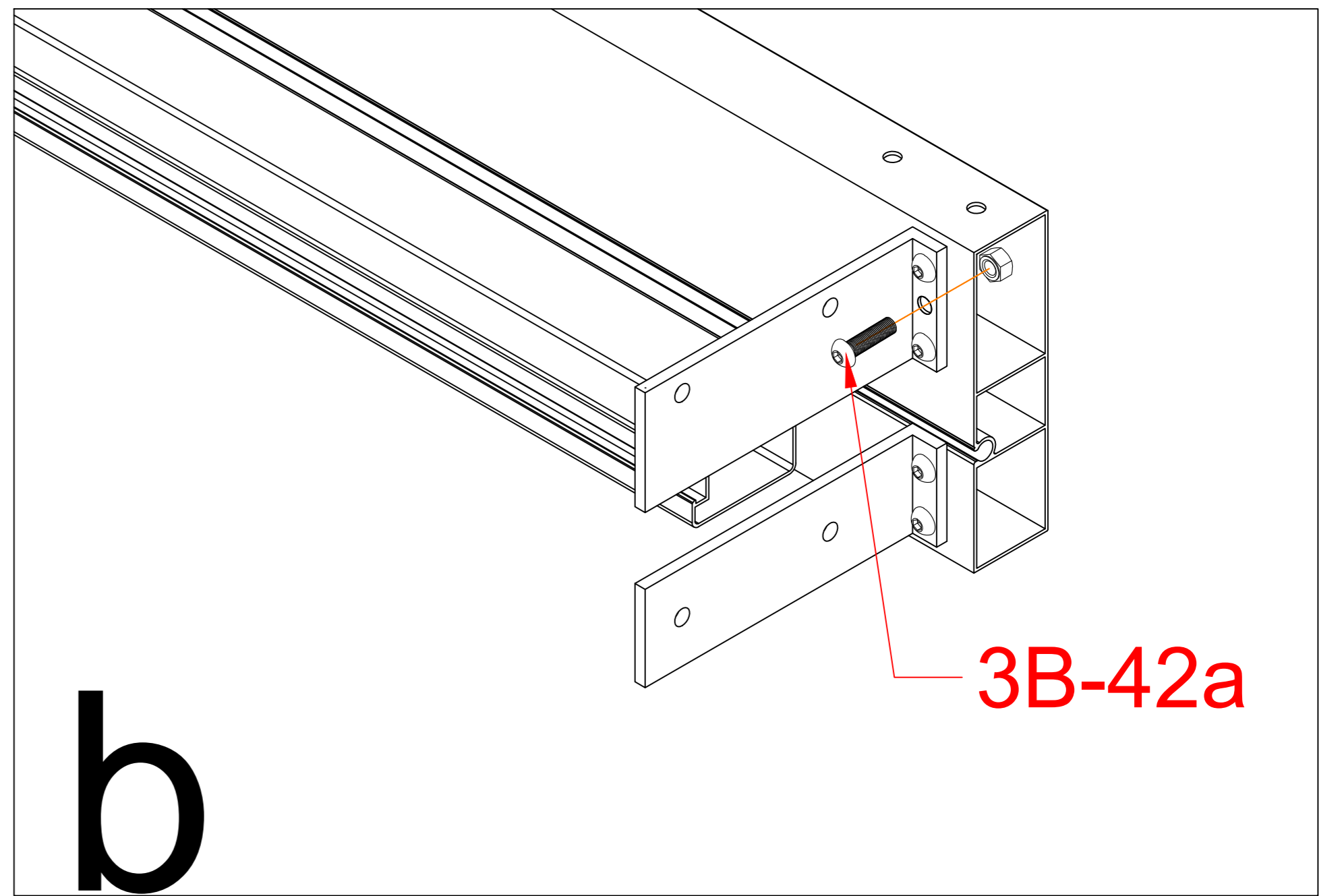
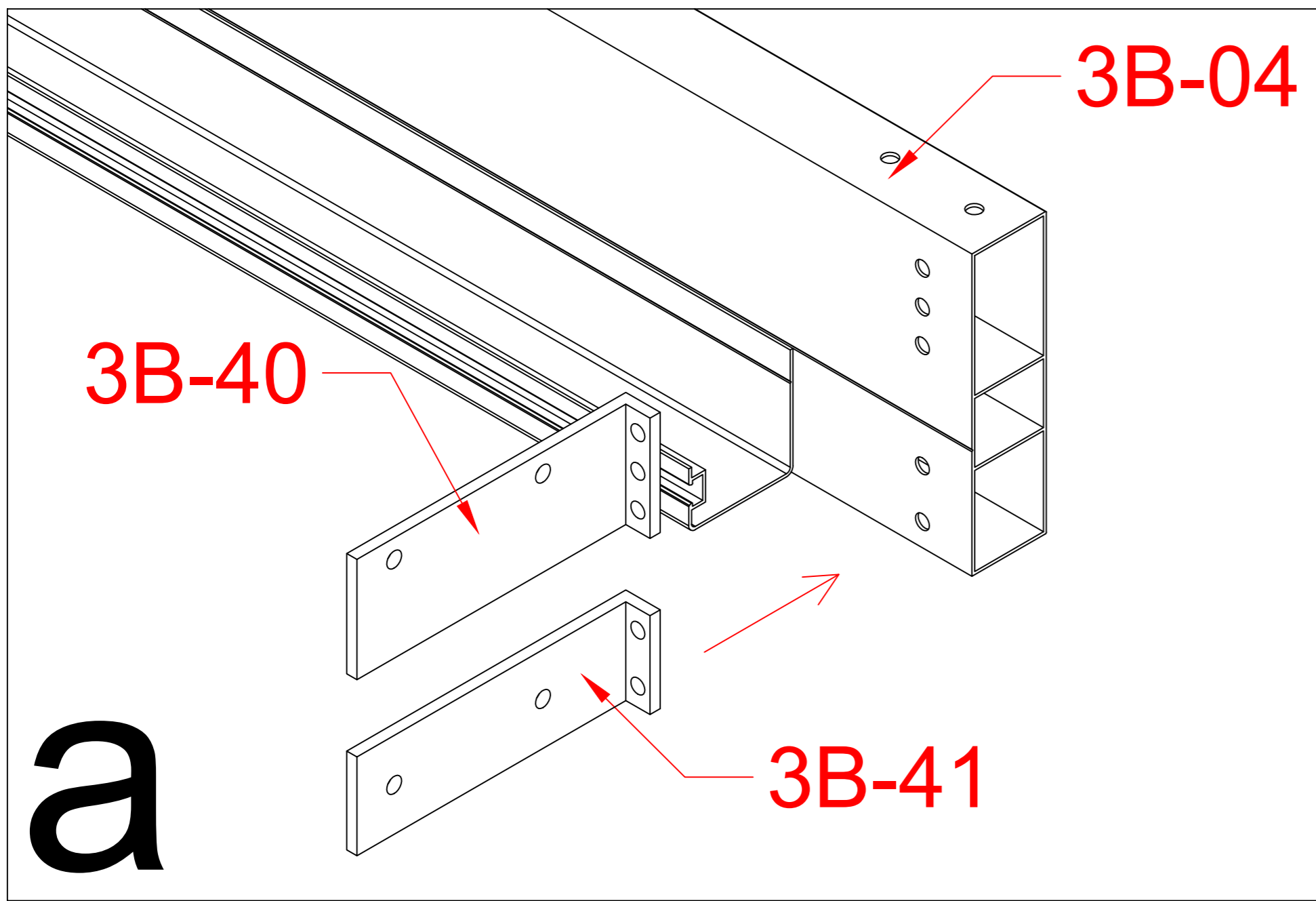


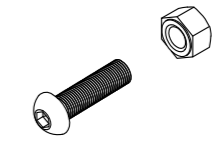
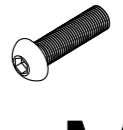
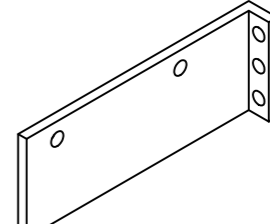
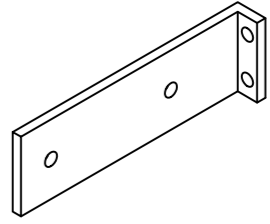
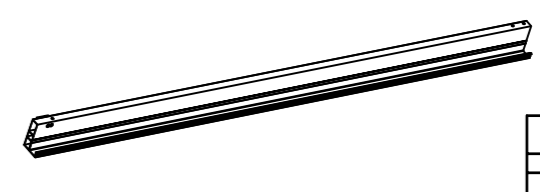
center justification

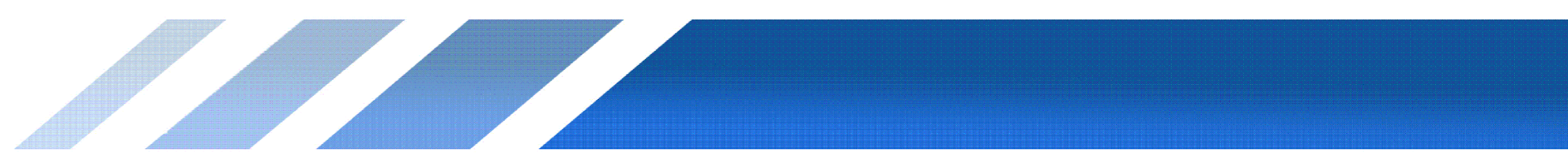


3B-02		1
3B-54	 M4.2*25	4





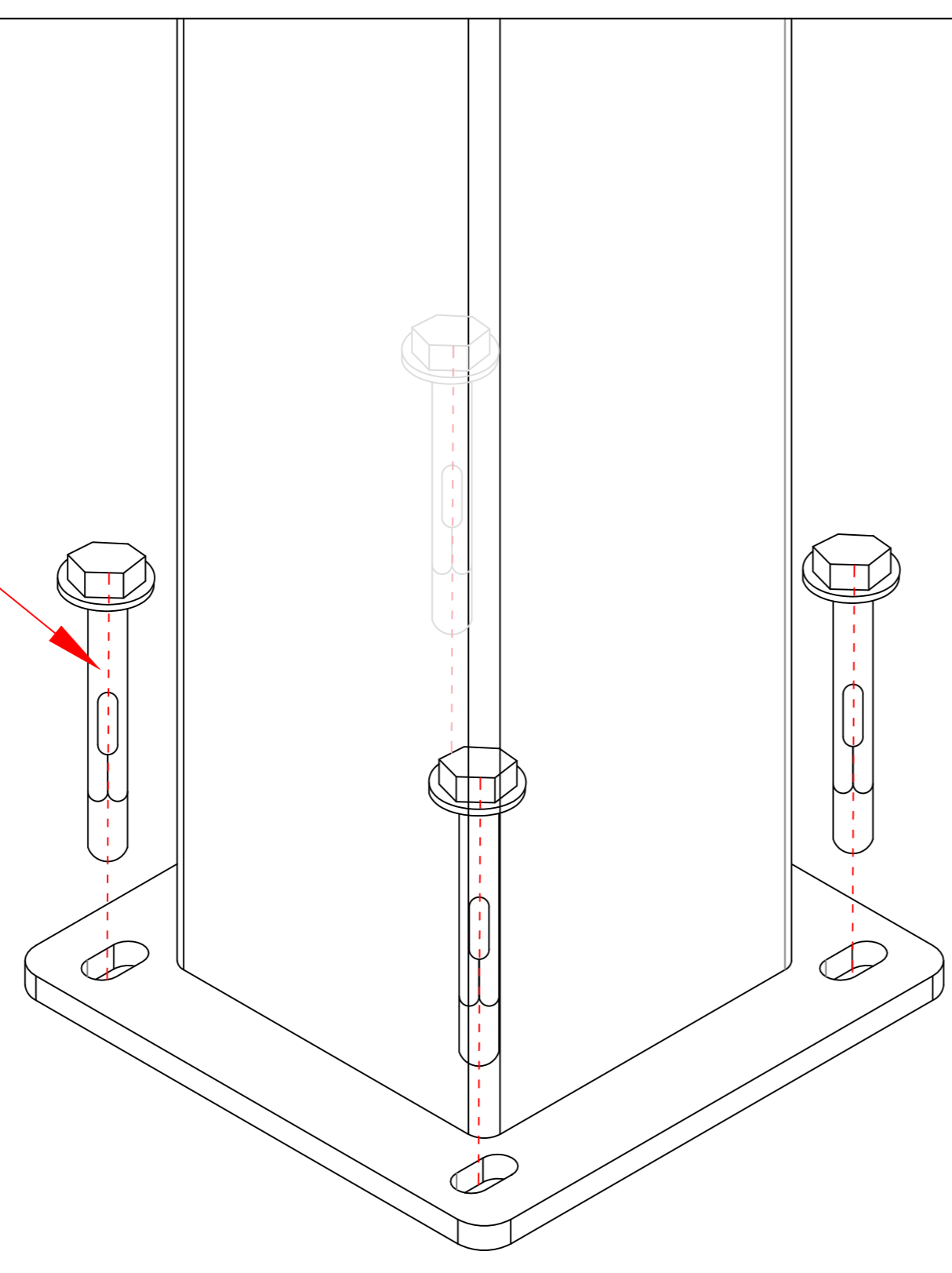
3B-42a	 M6*16	10
3B-42b	 M6*16 P	8
3B-40		2
3B-41		2
3B-04		2





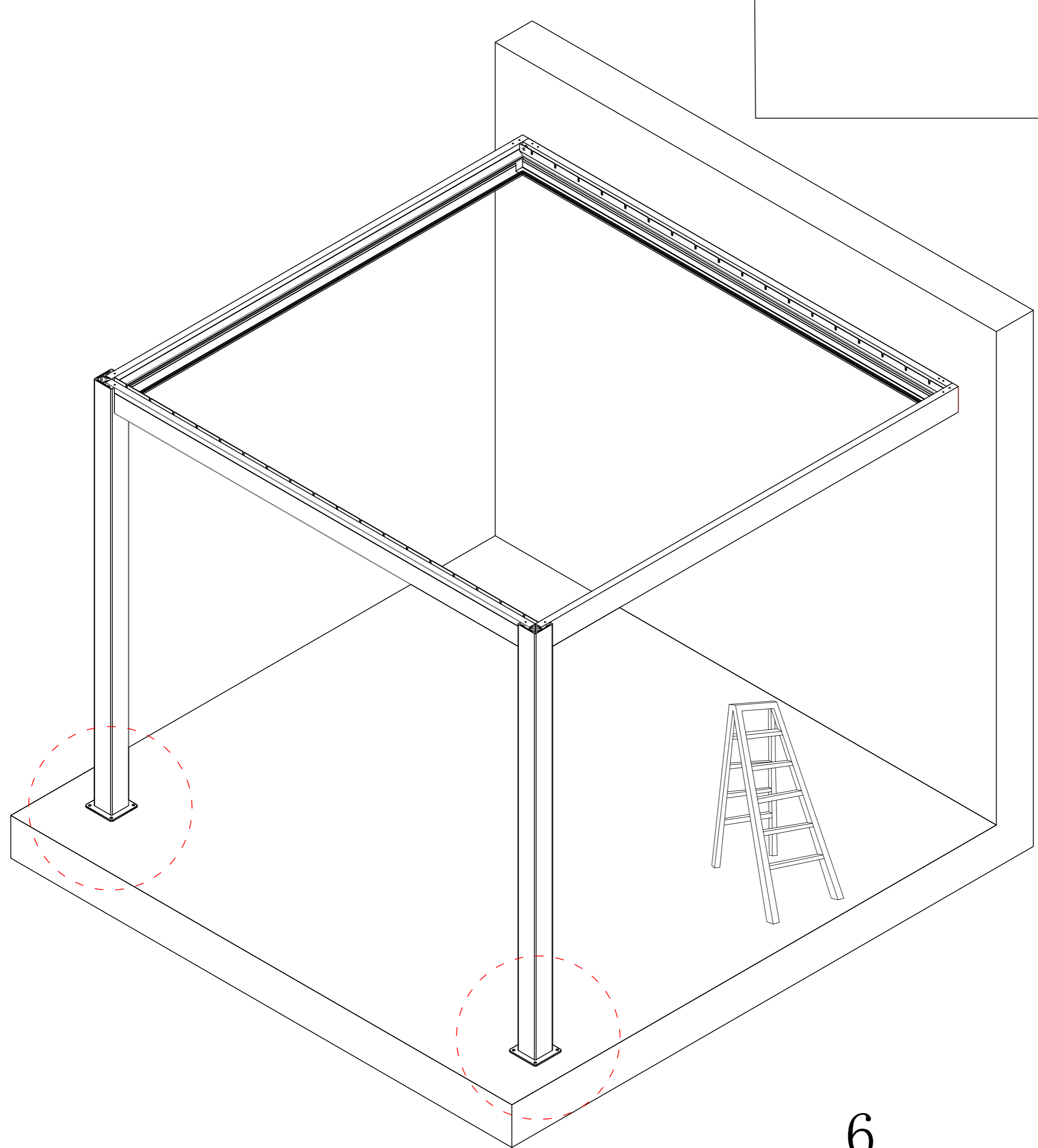
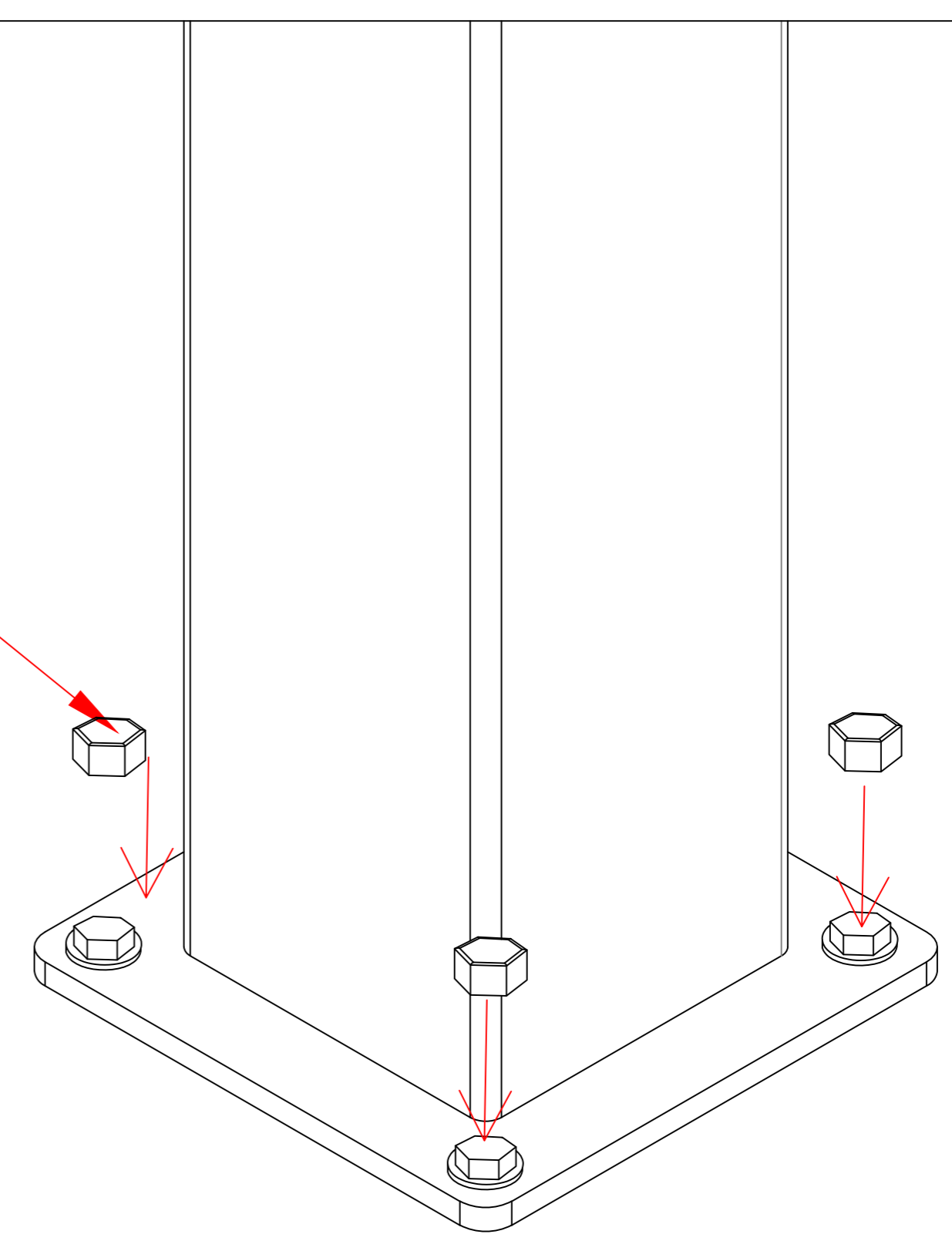
**a**

**3B-21**

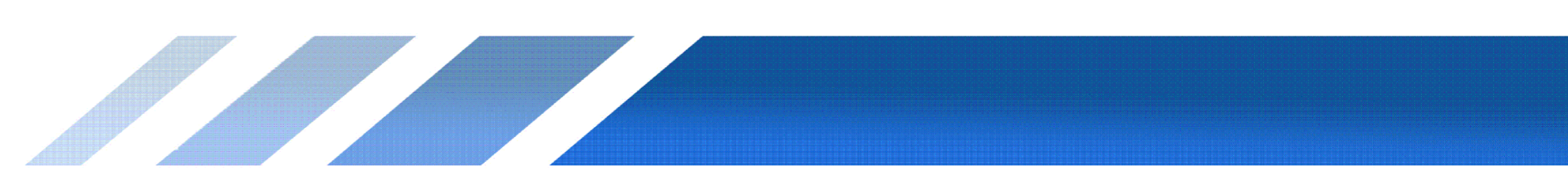


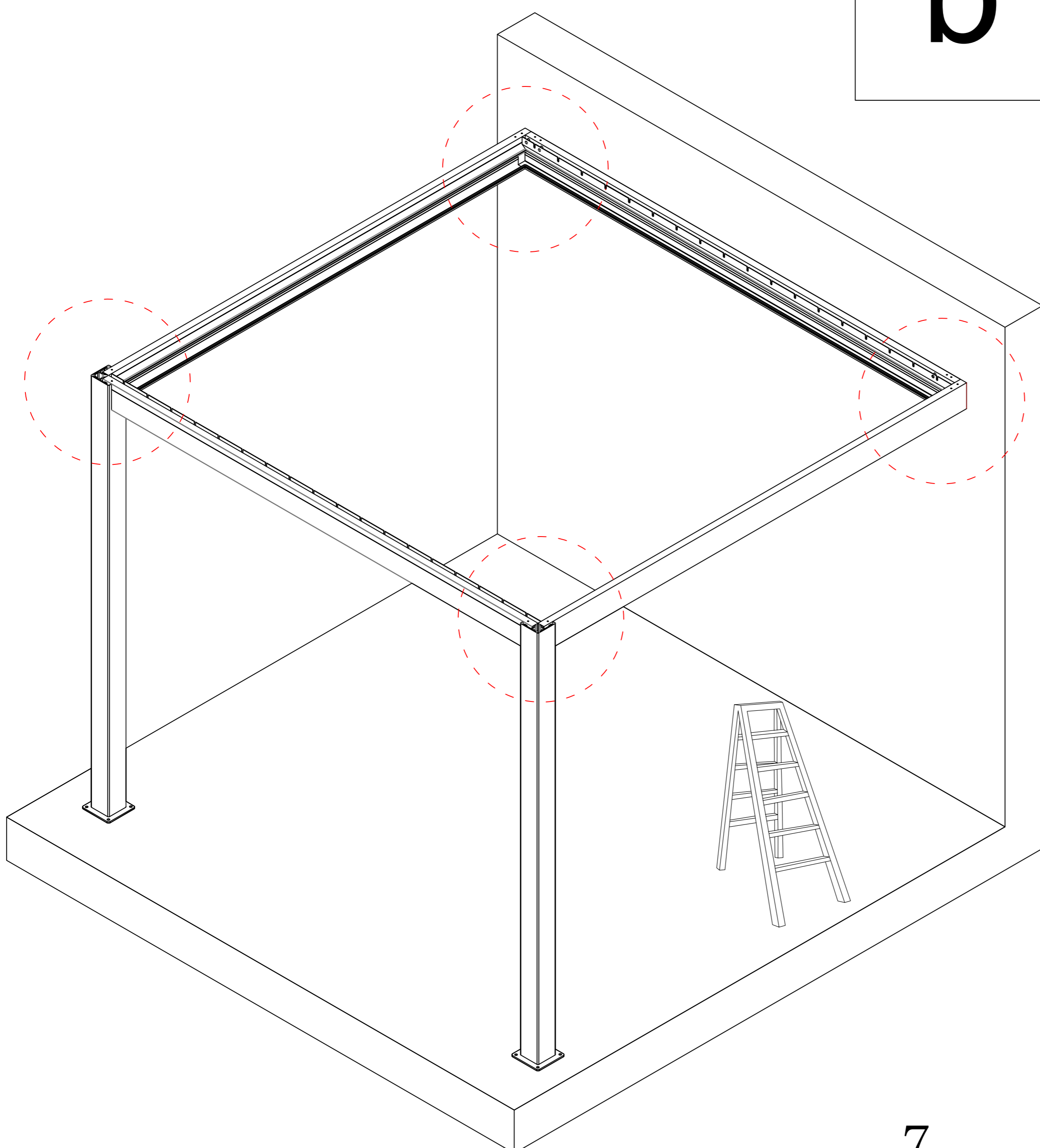
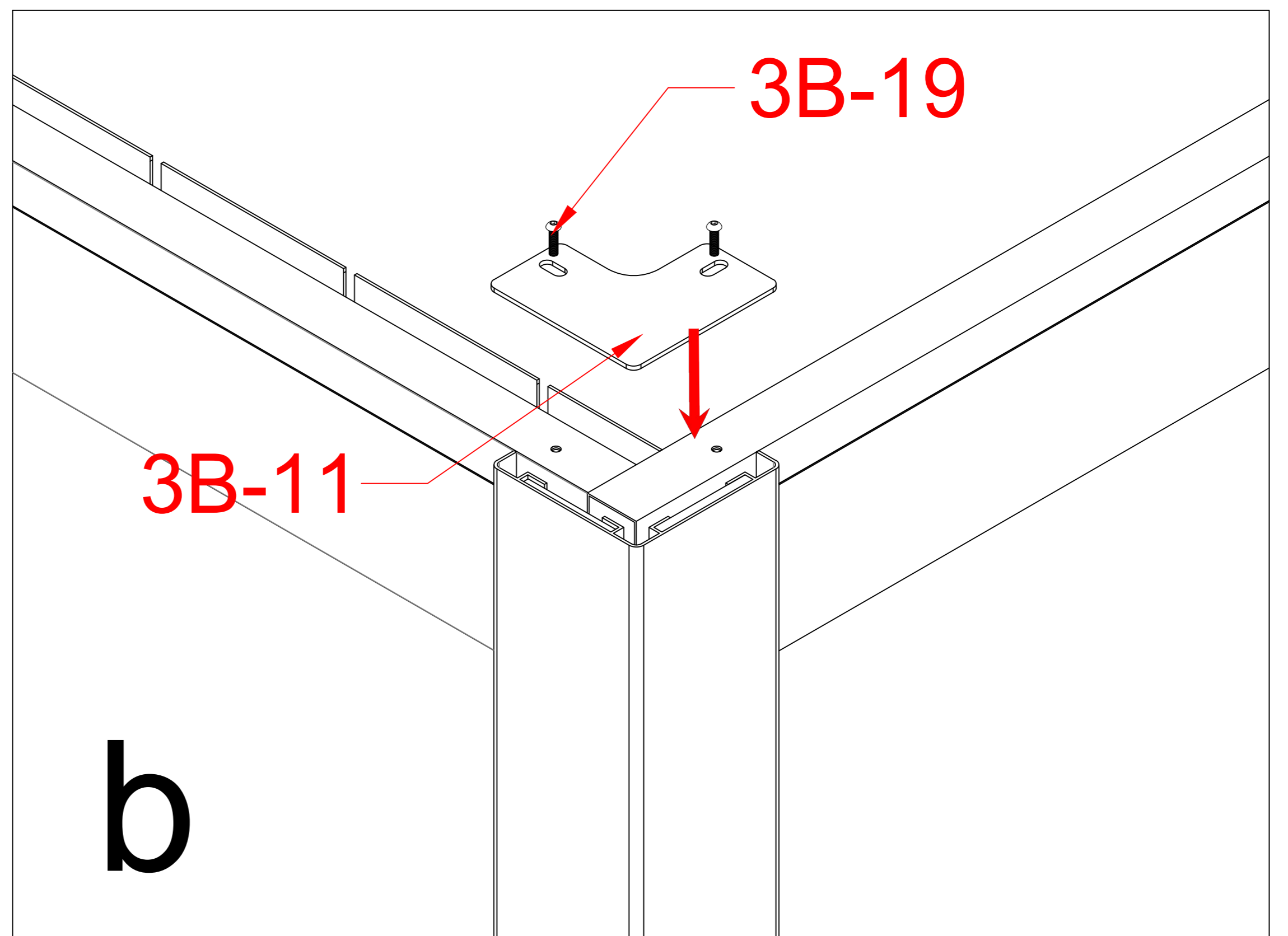
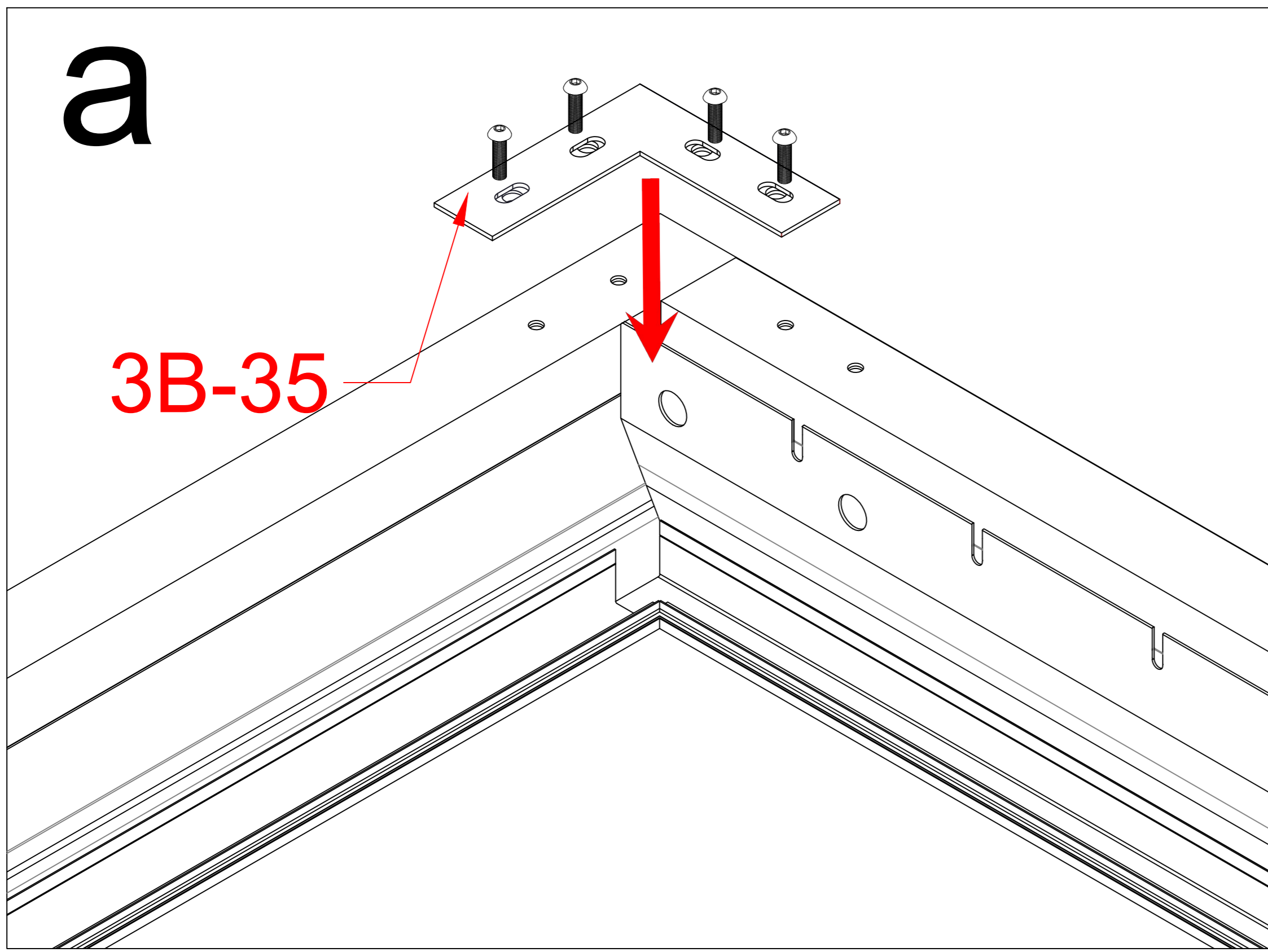
**b**

**3B-21**

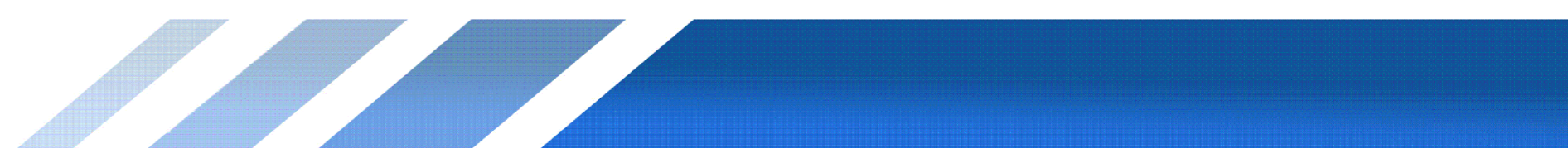


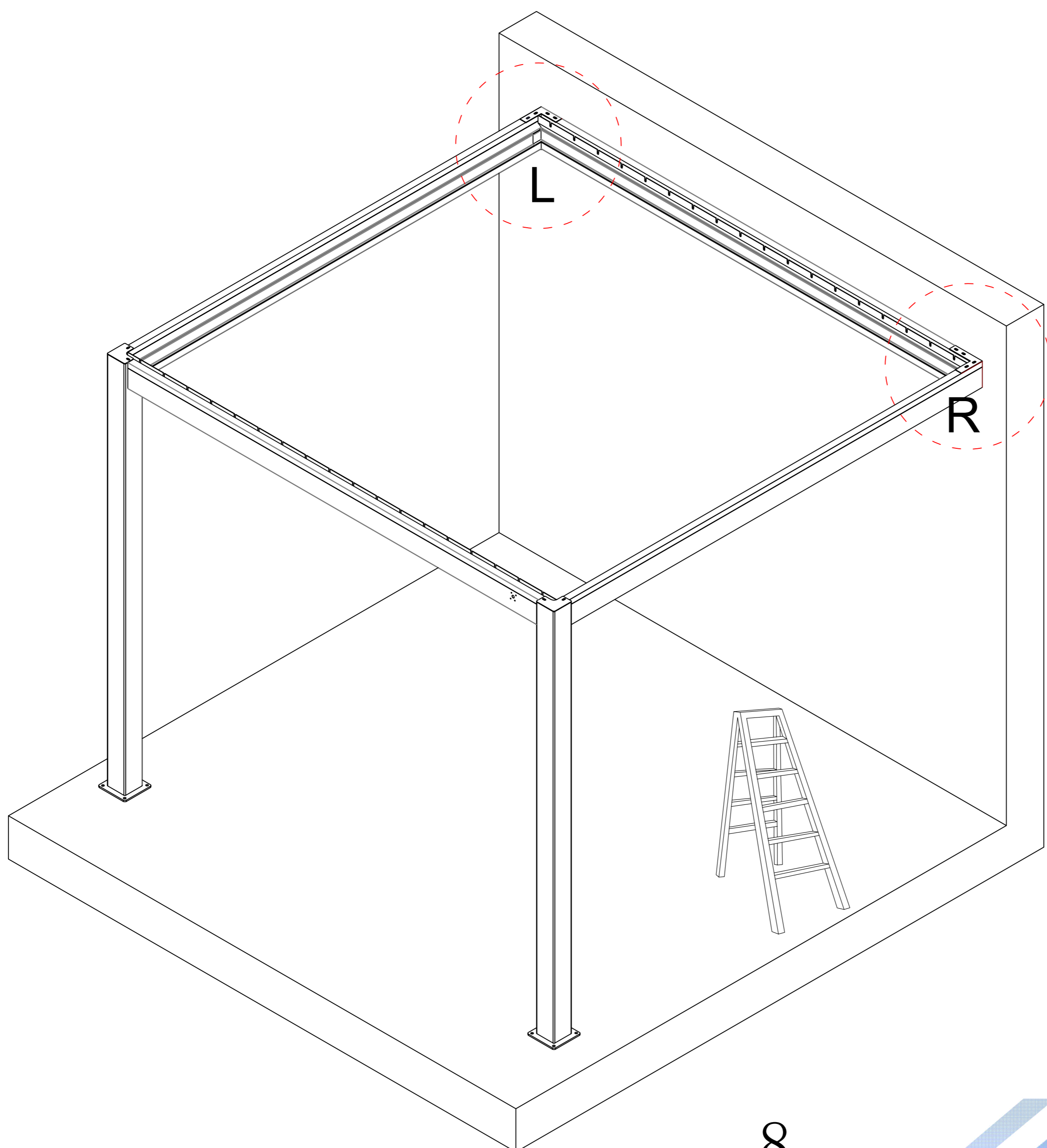
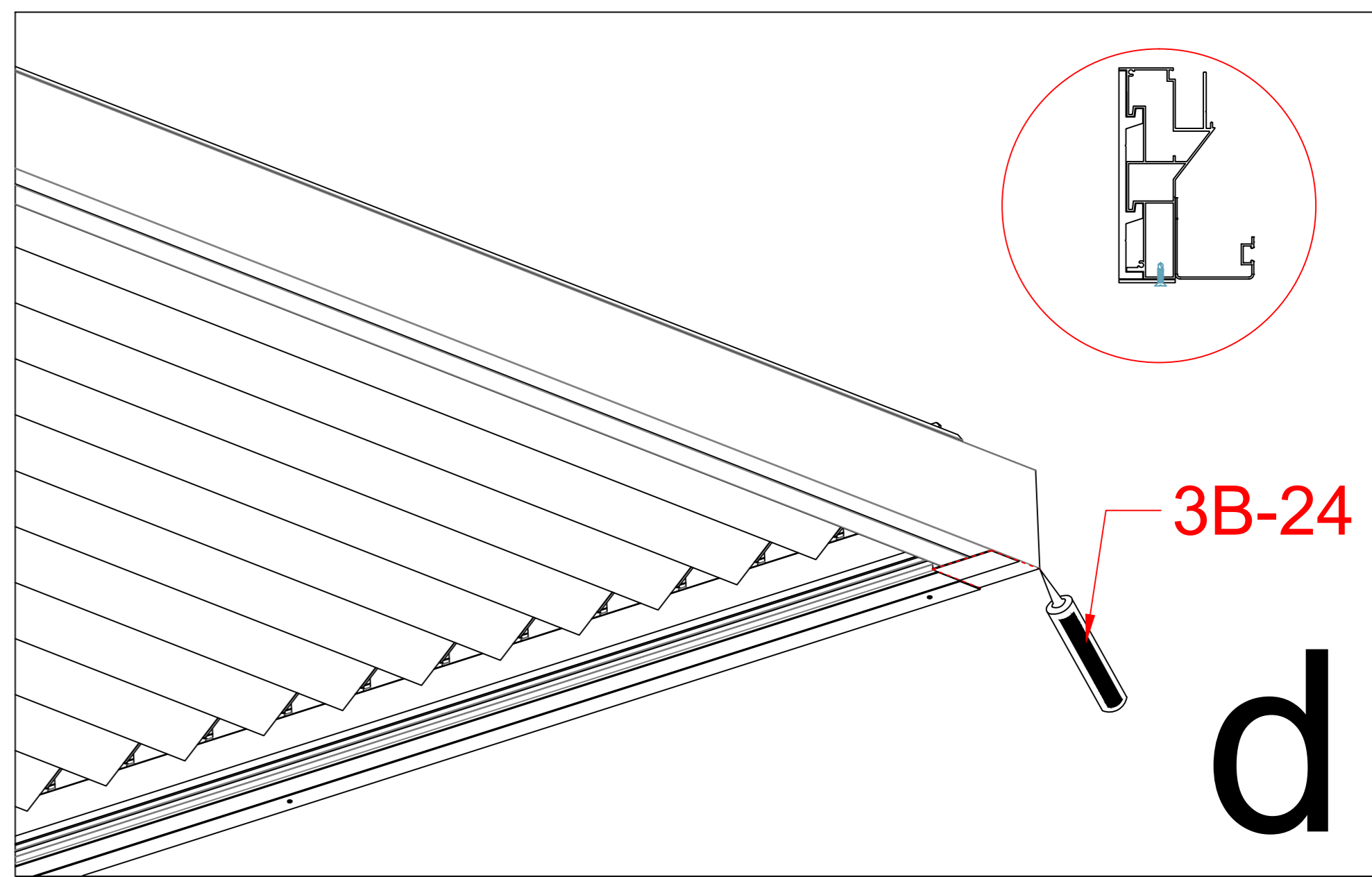
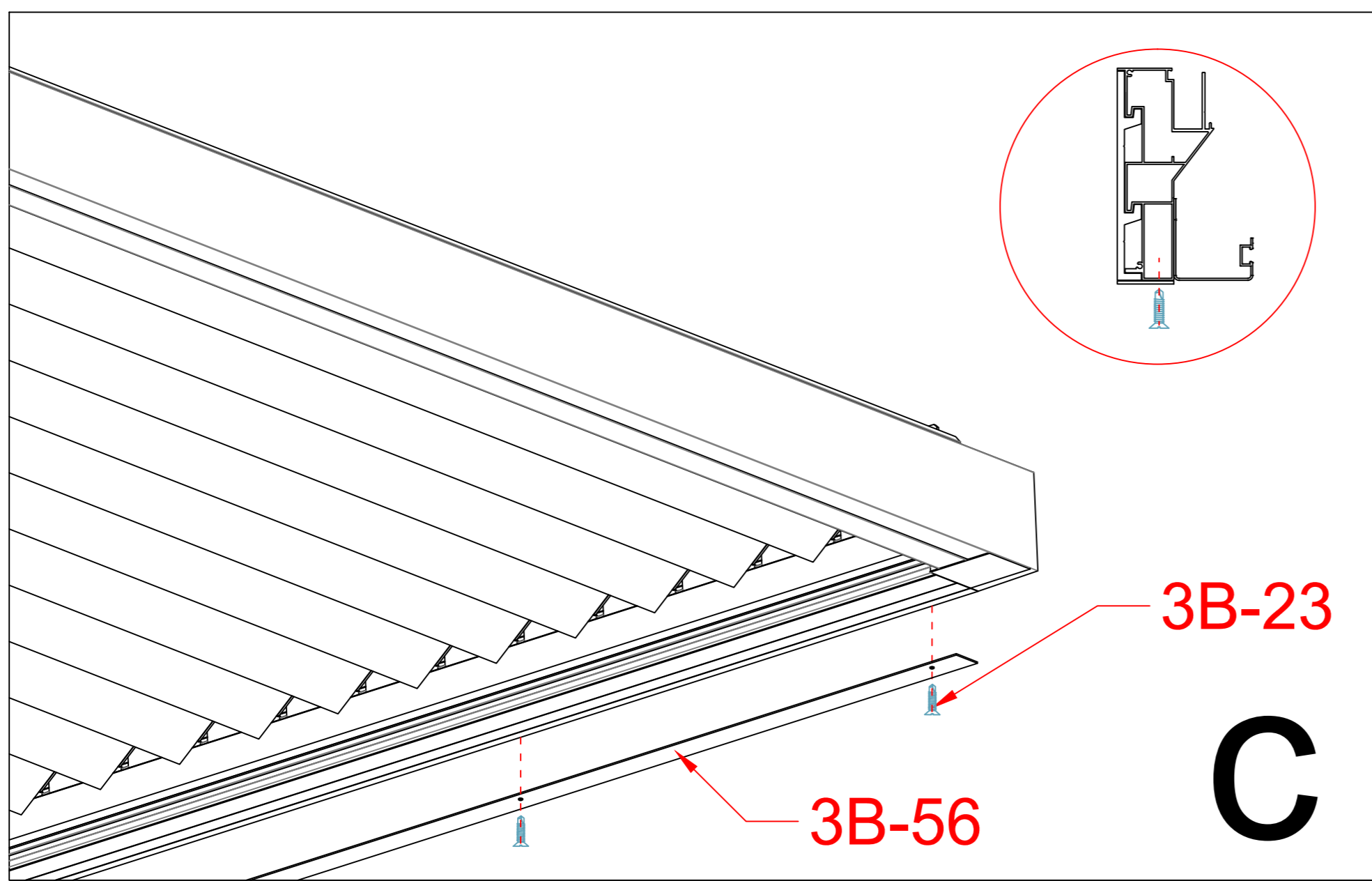
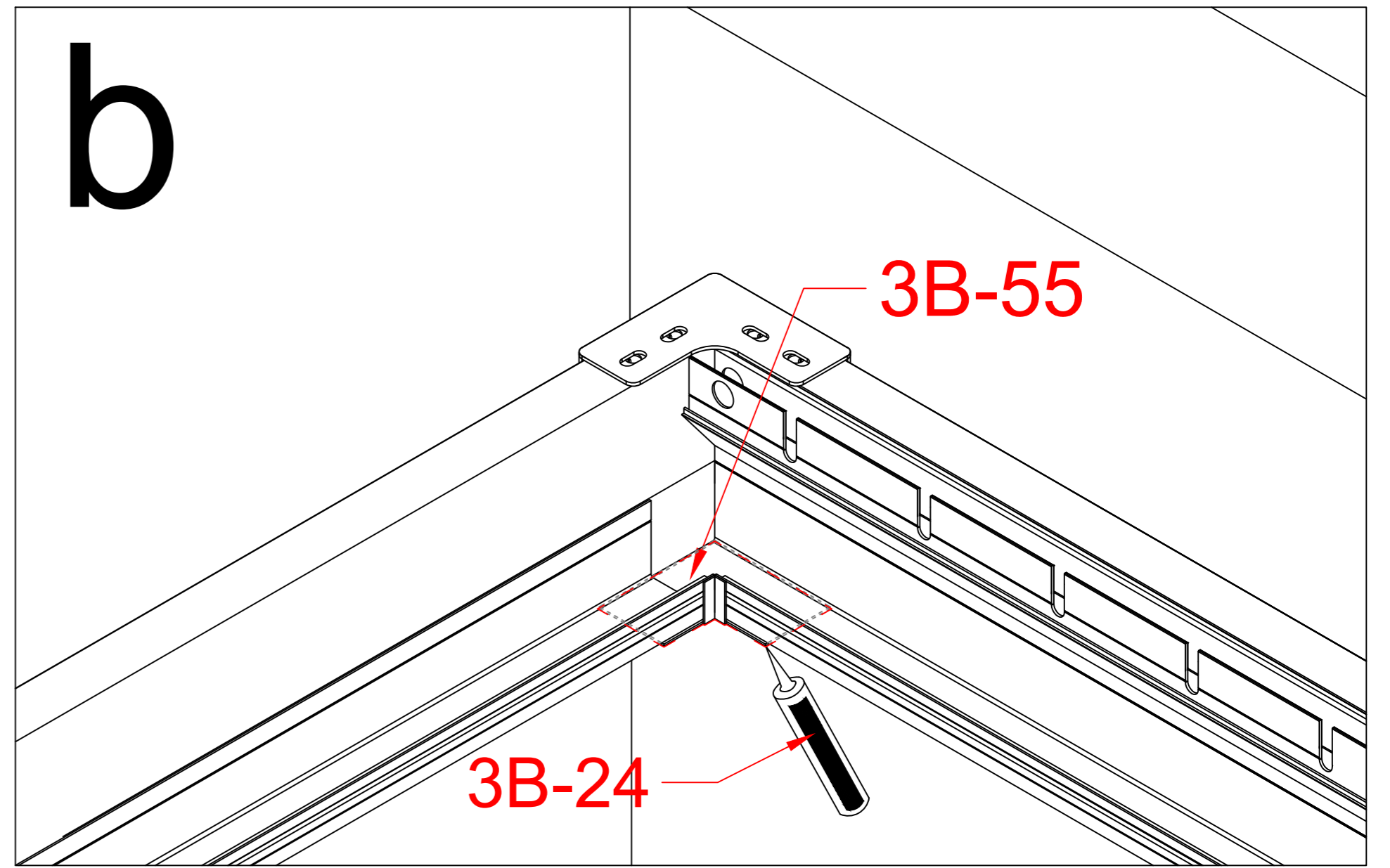
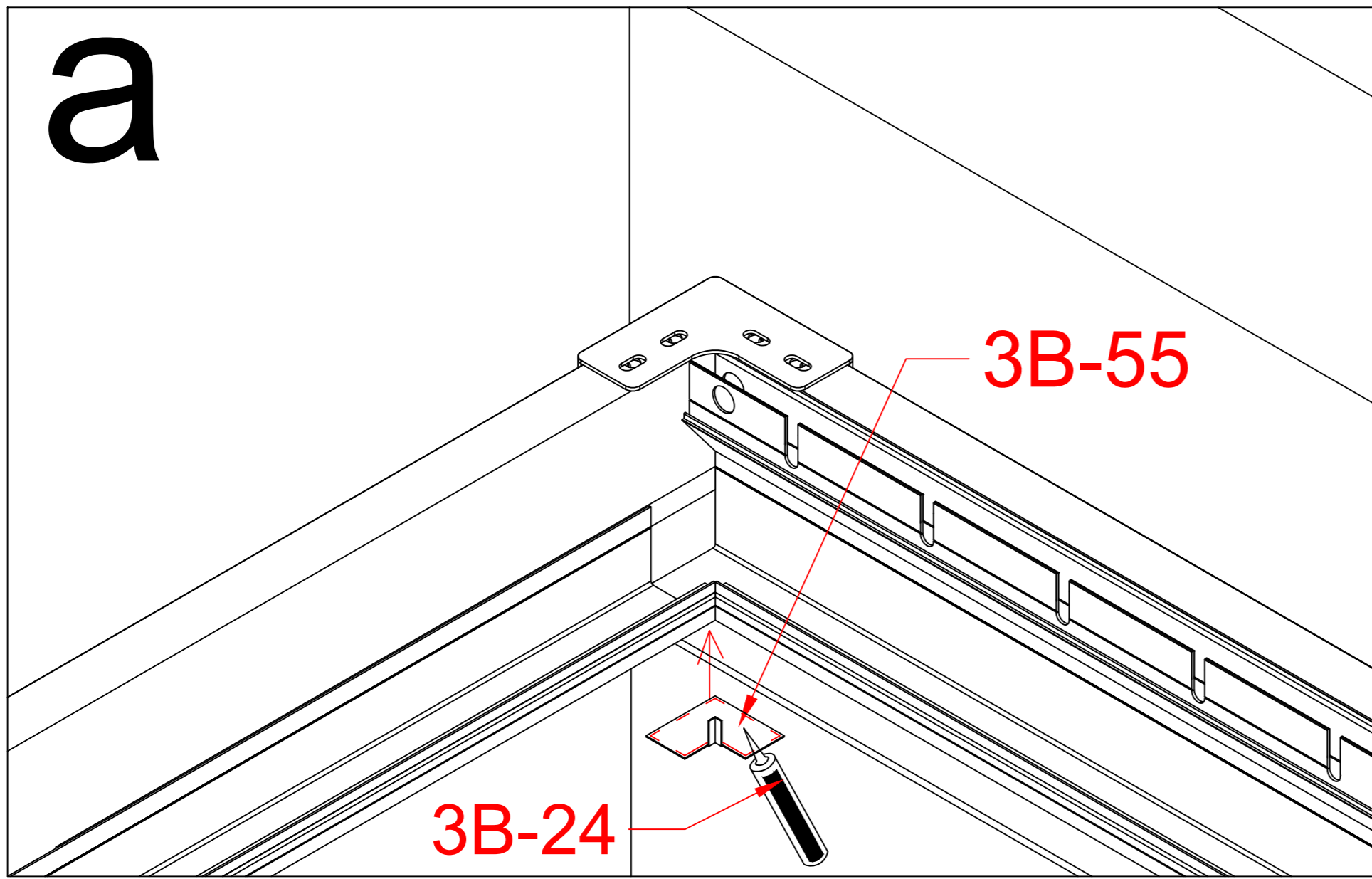
3B-21		8
-------	--	---



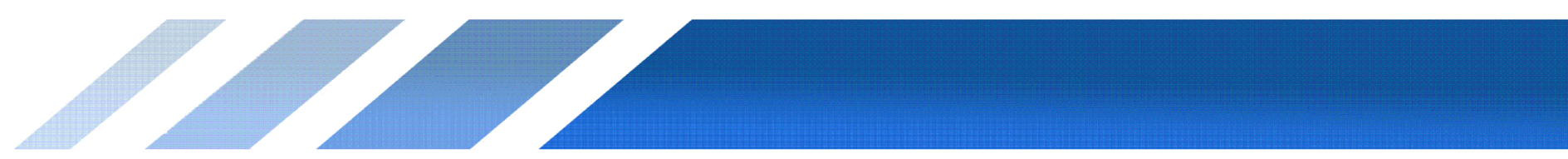


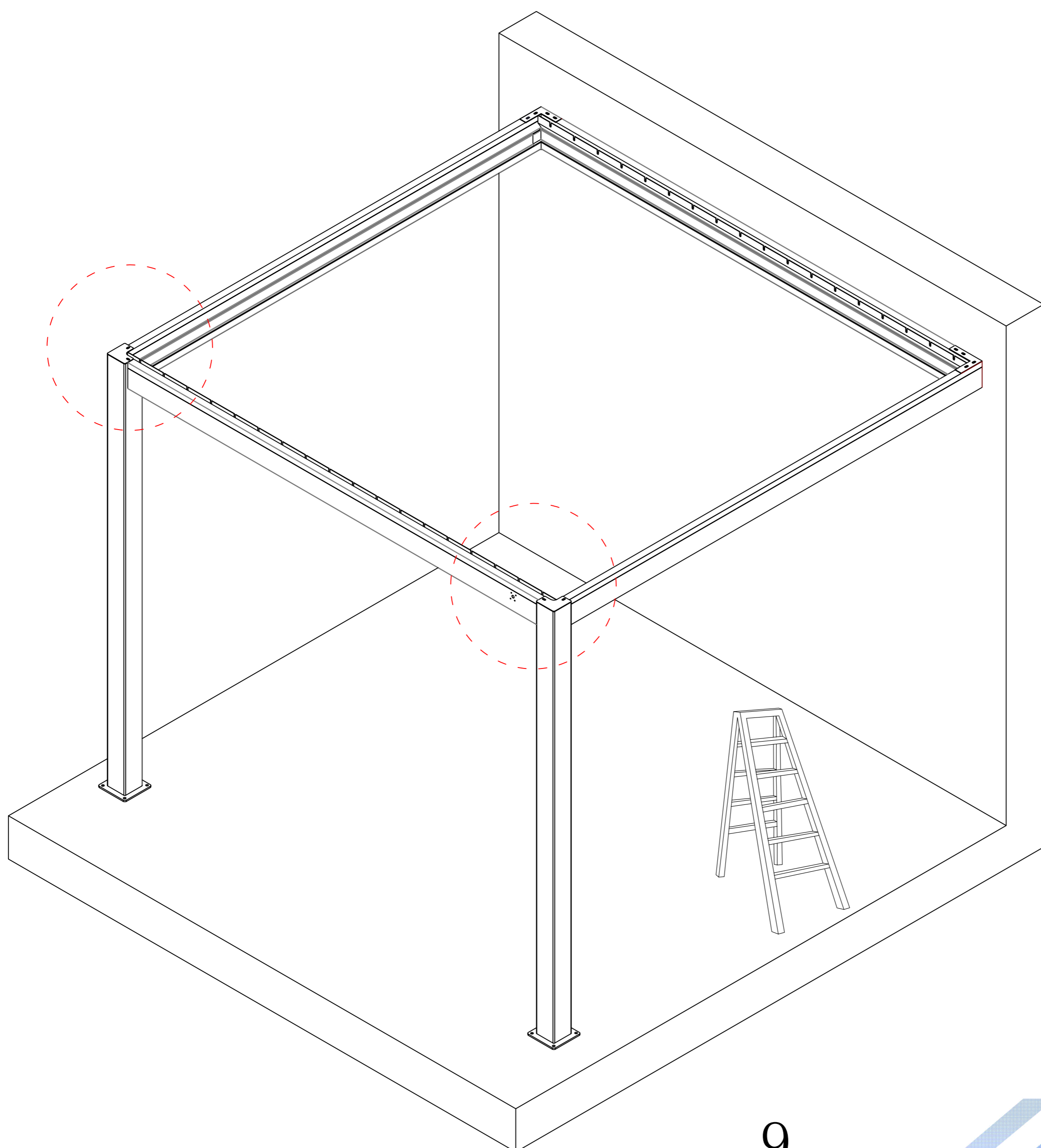
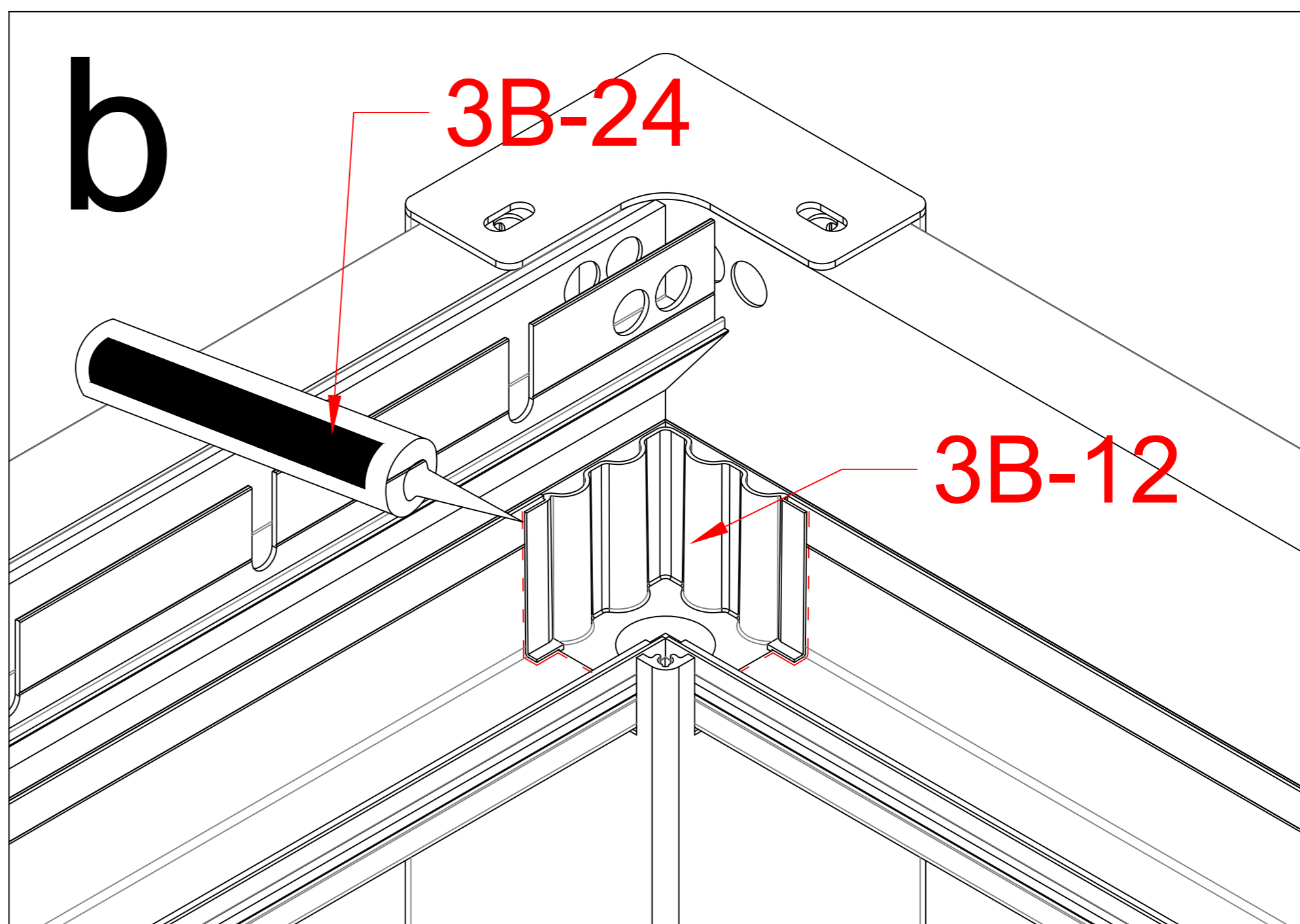
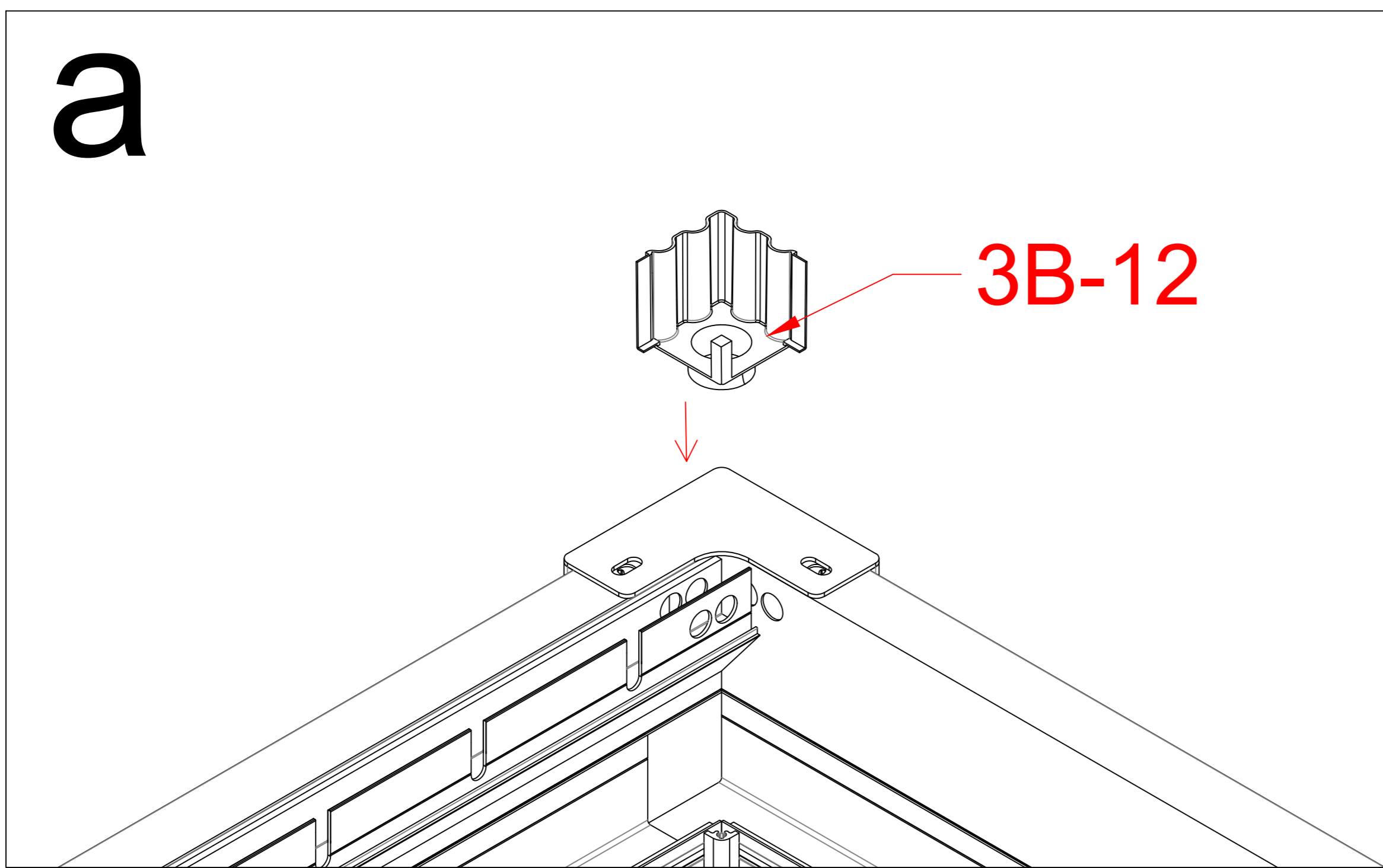
3B-35		2
3B-11		2
3B-19		12



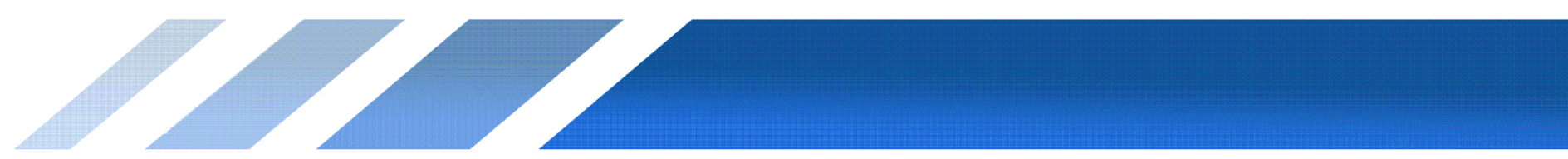


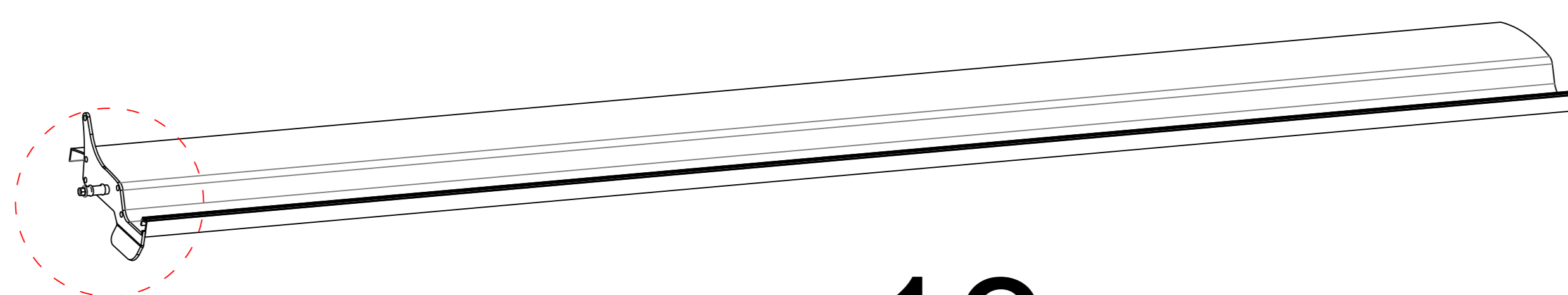
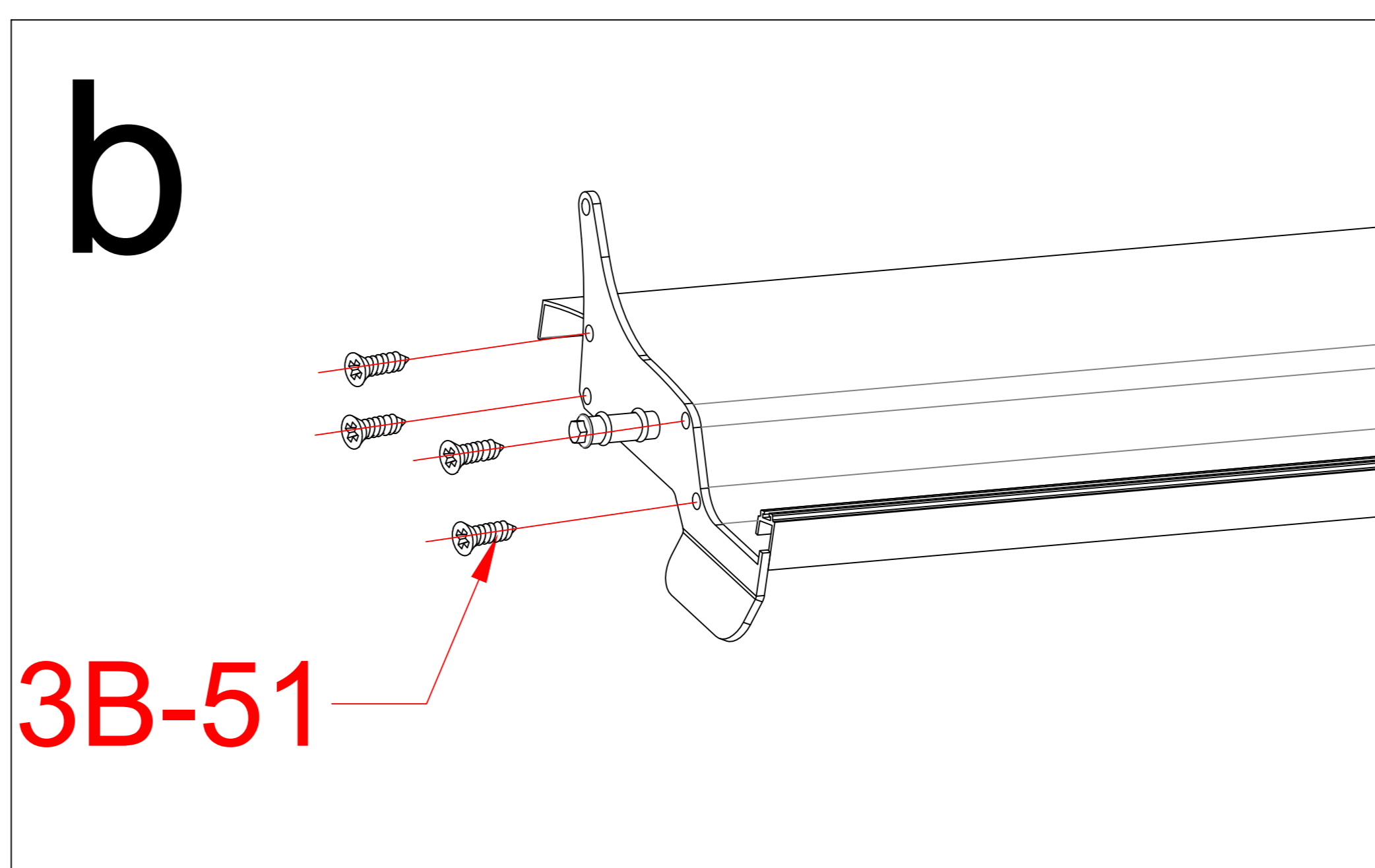
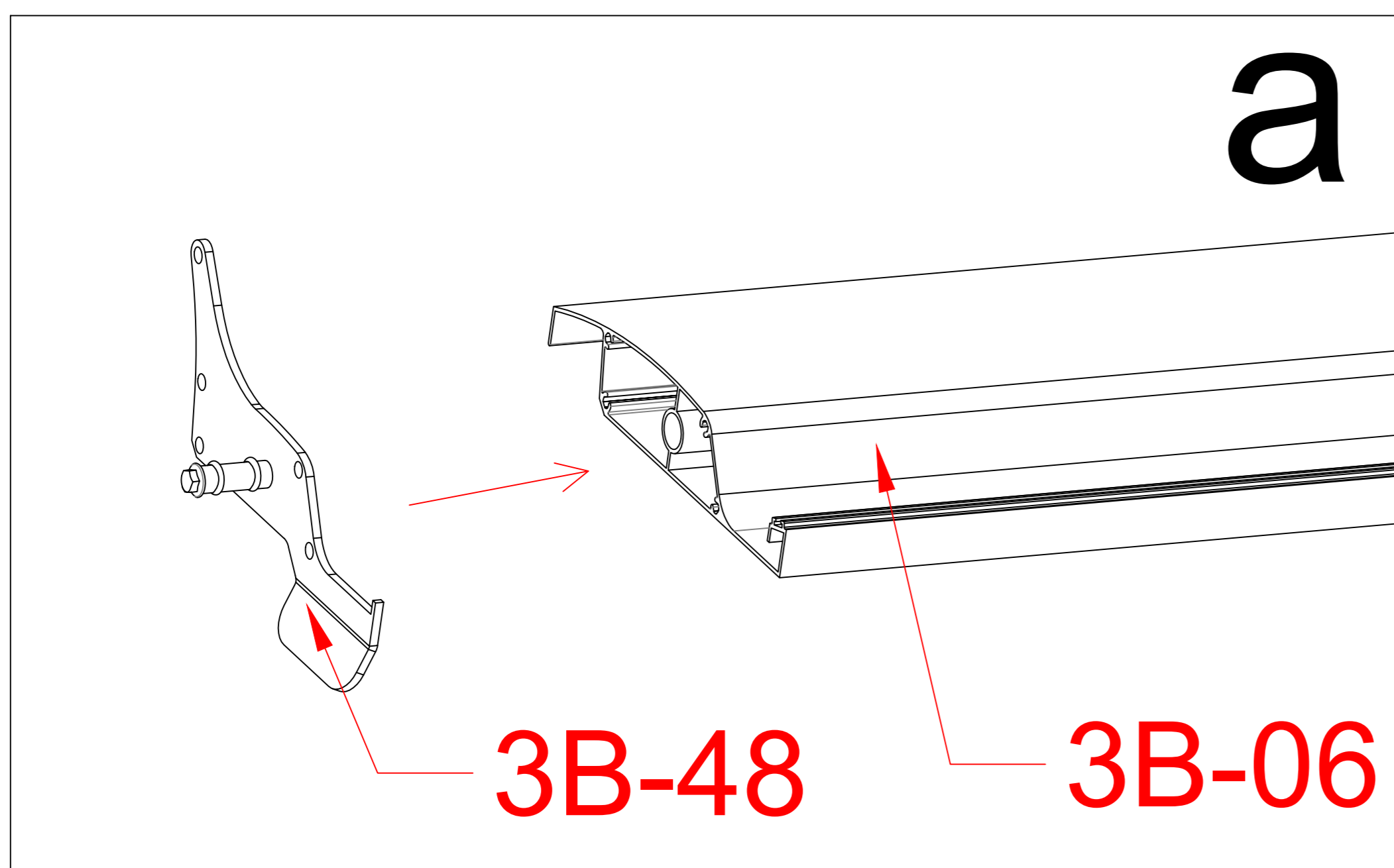
3B-55		2
3B-56		1
3B-23		5





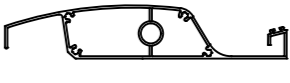
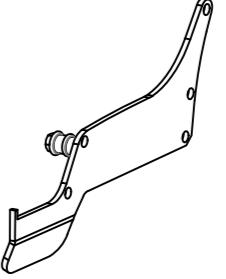


3B-24		1
3B-12		2



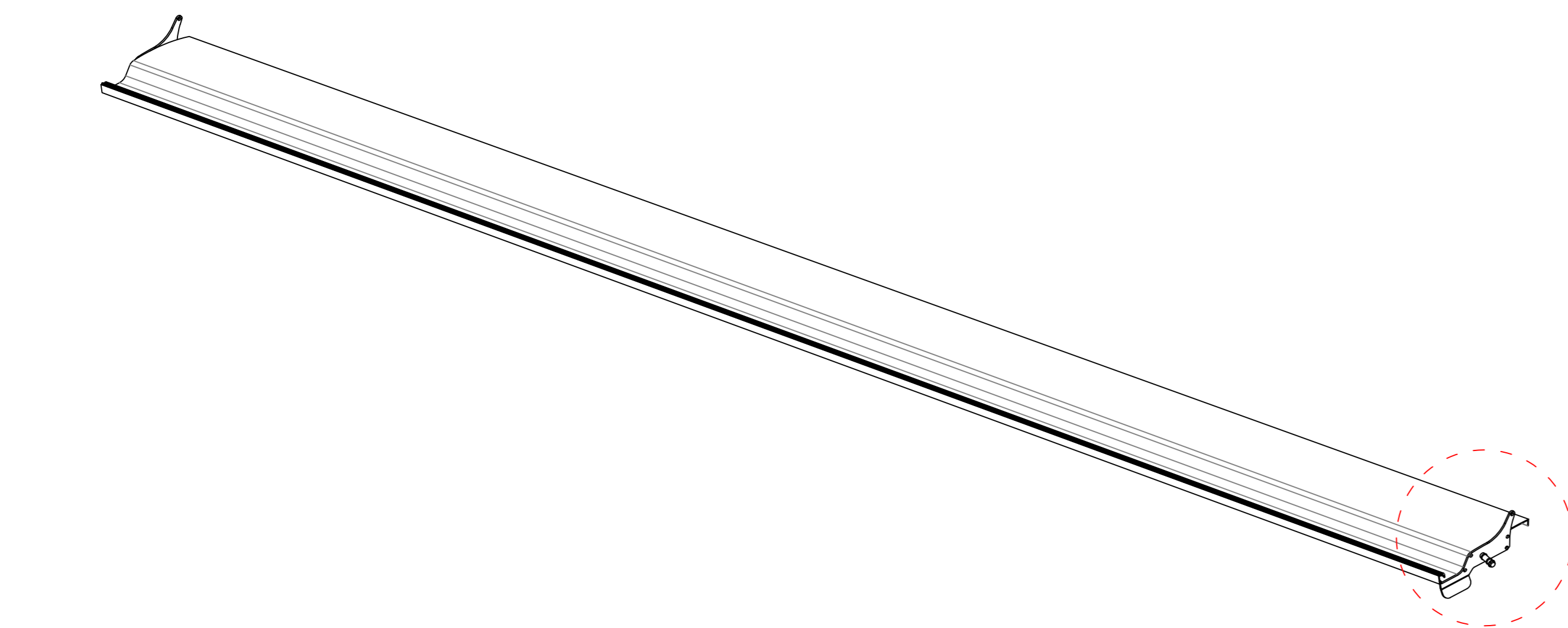
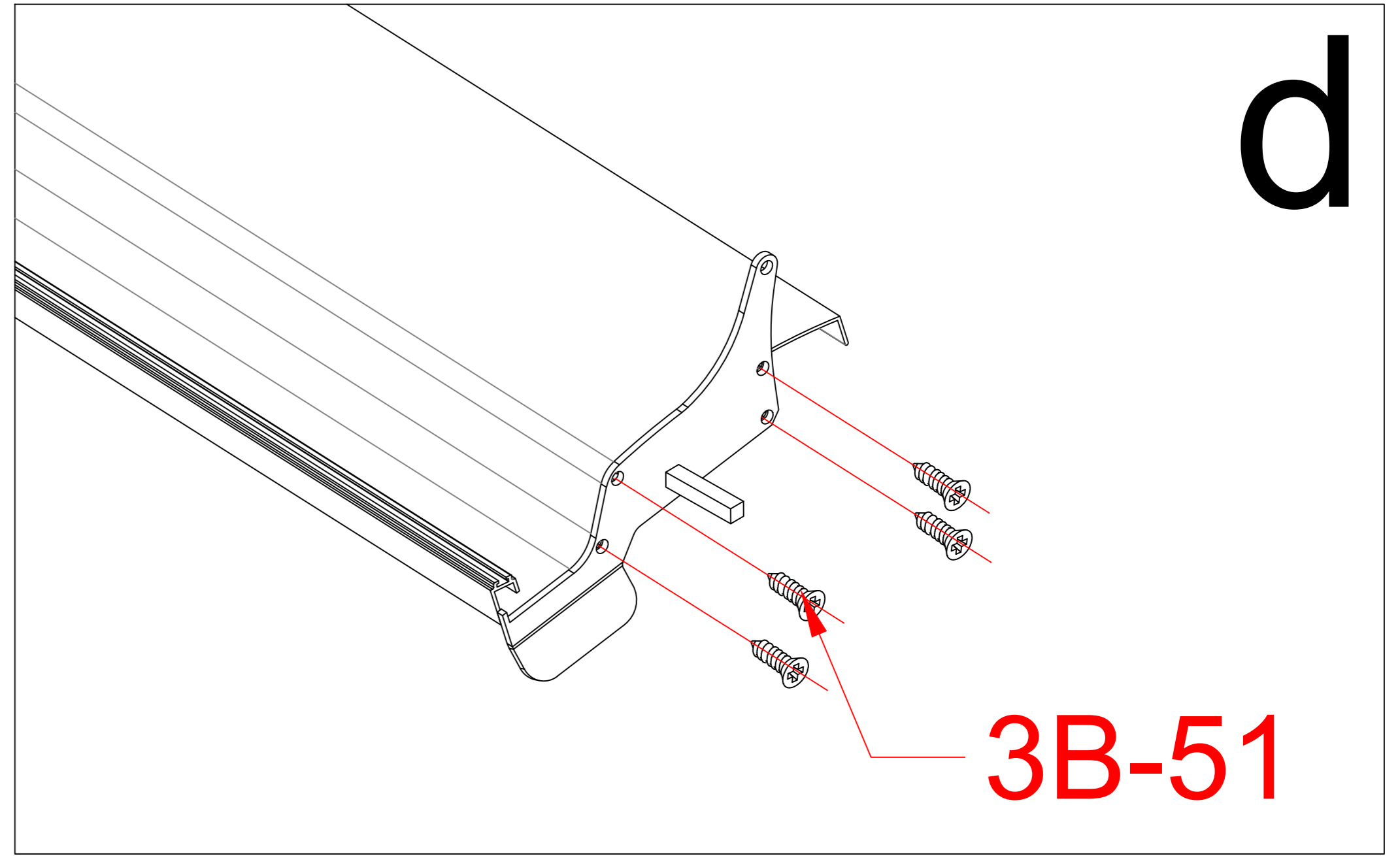
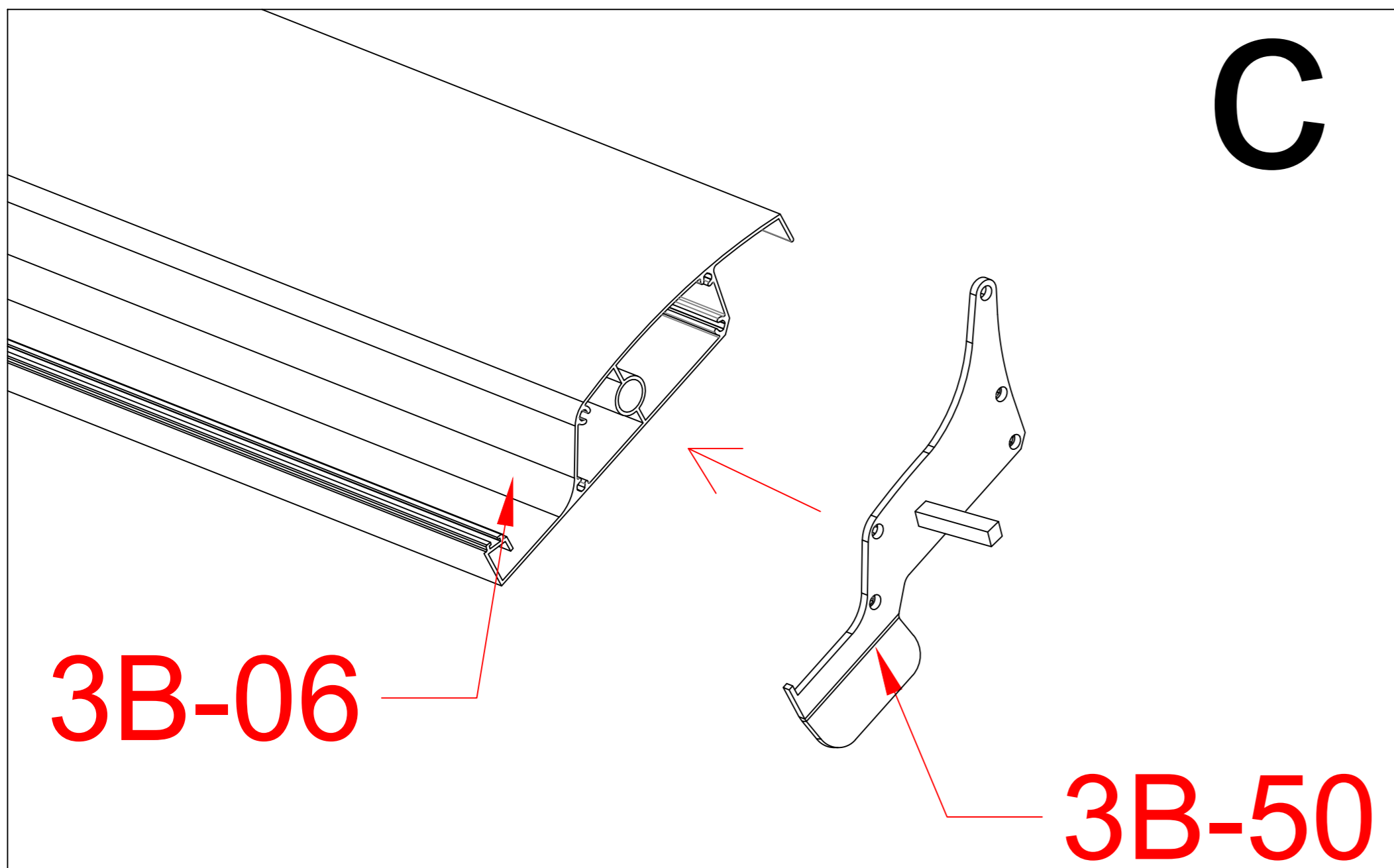
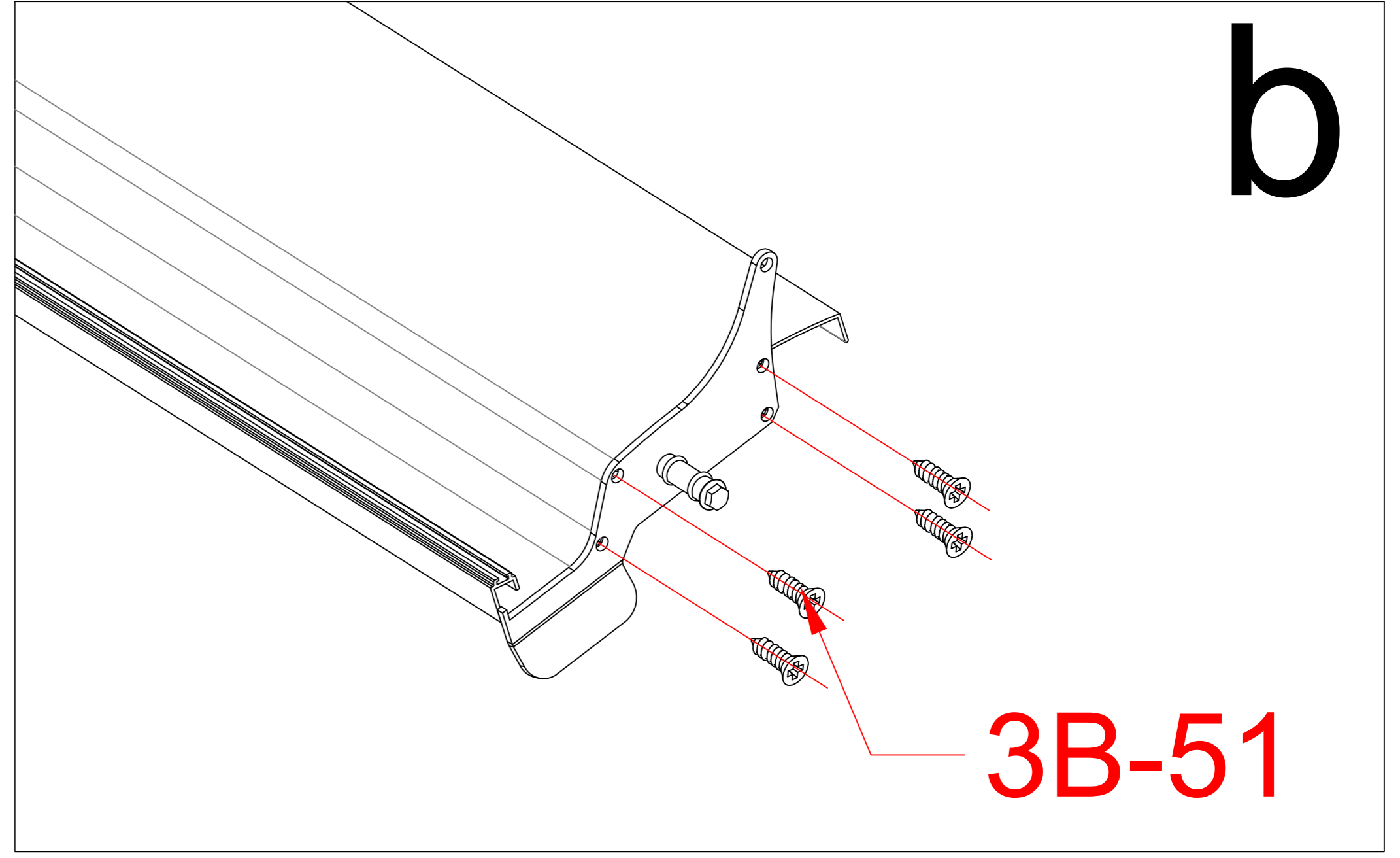
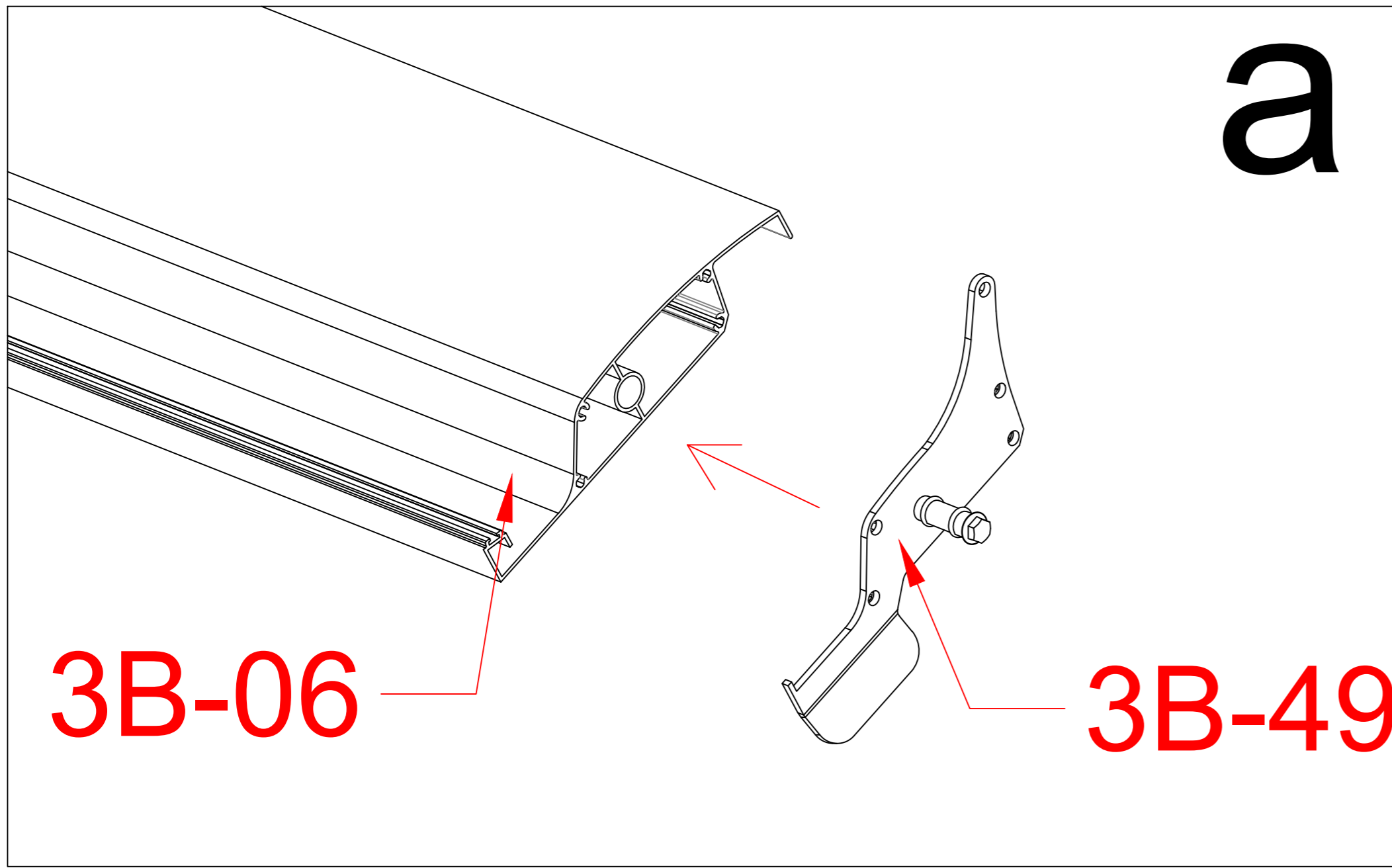


**x13**

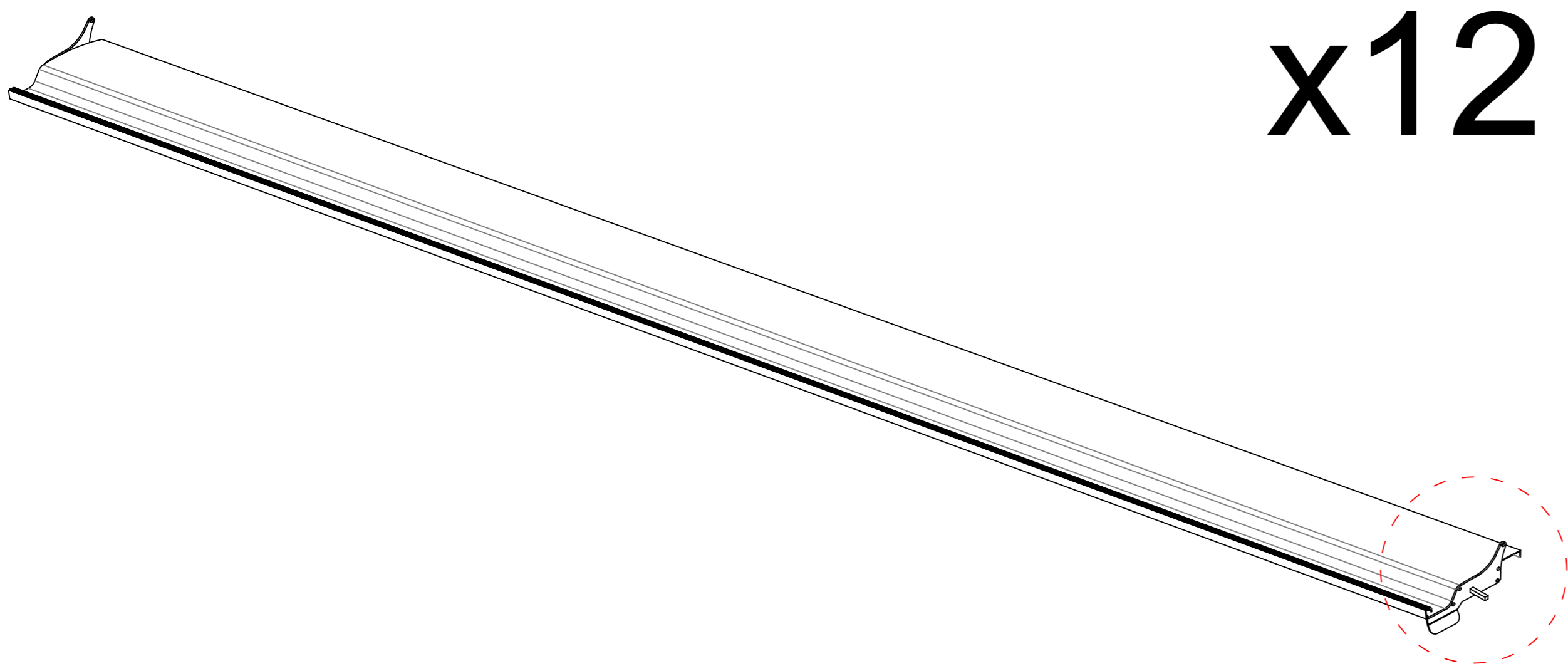
3B-51		52
3B-06	 	13
3B-48		13



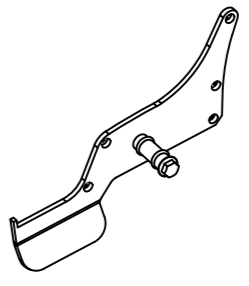
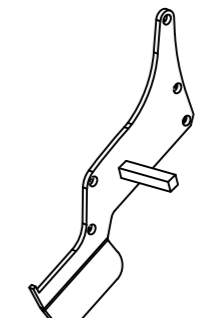



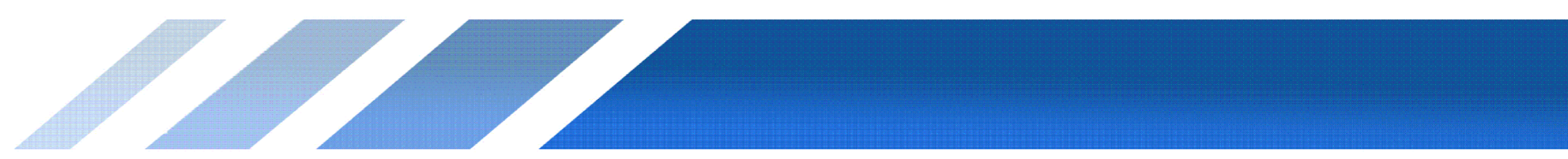


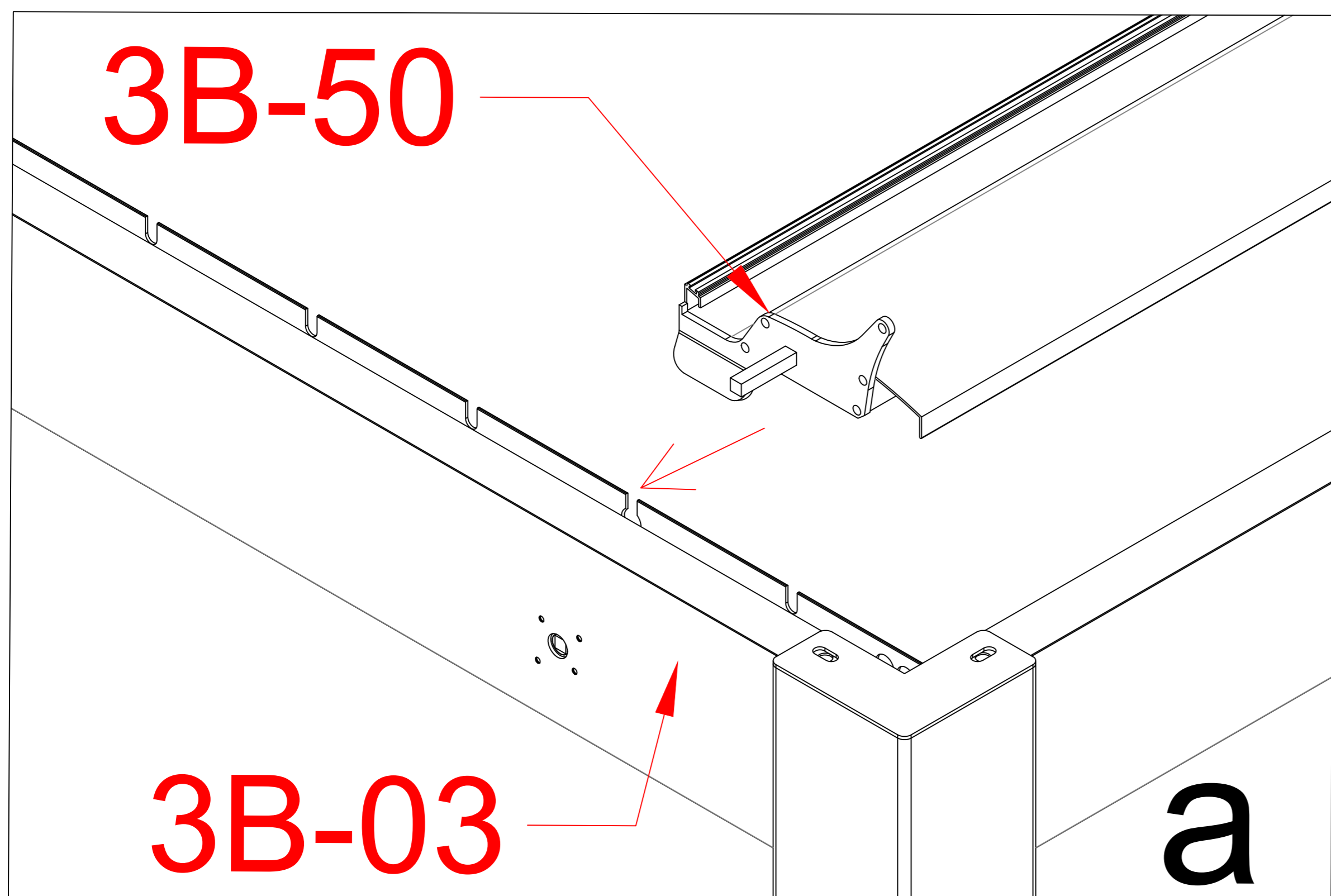
**x12**



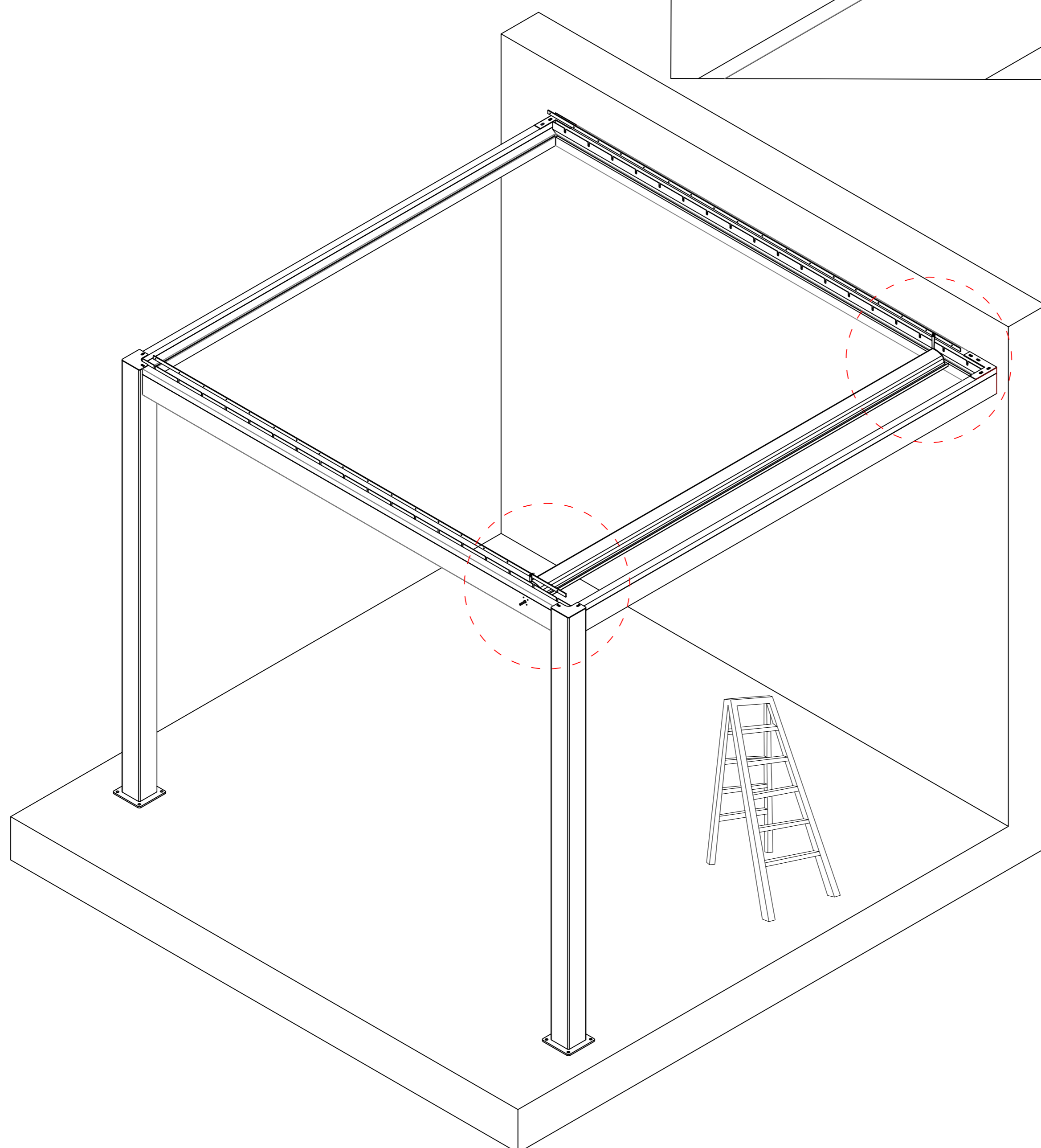
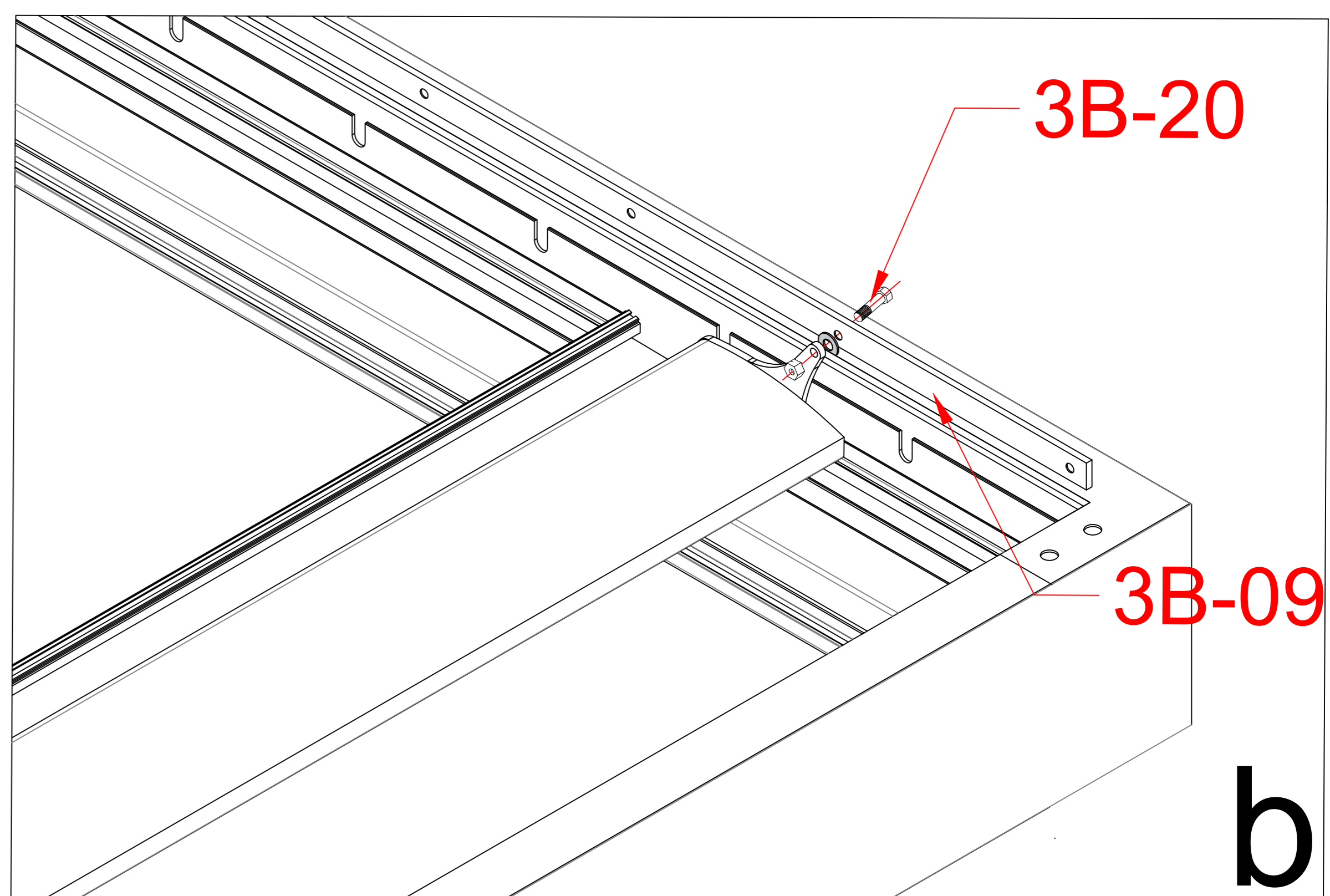
**x1**

3B-49		12
3B-50		1
3B-51		52

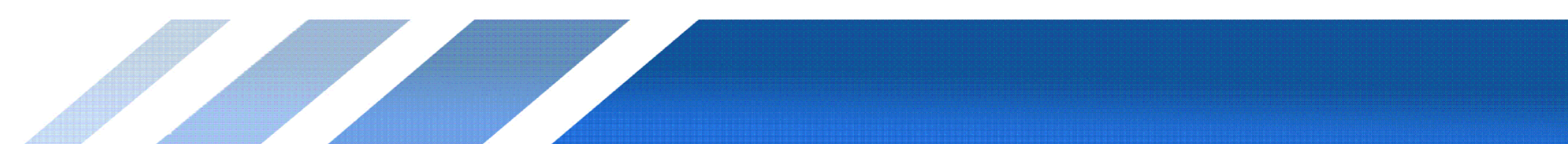


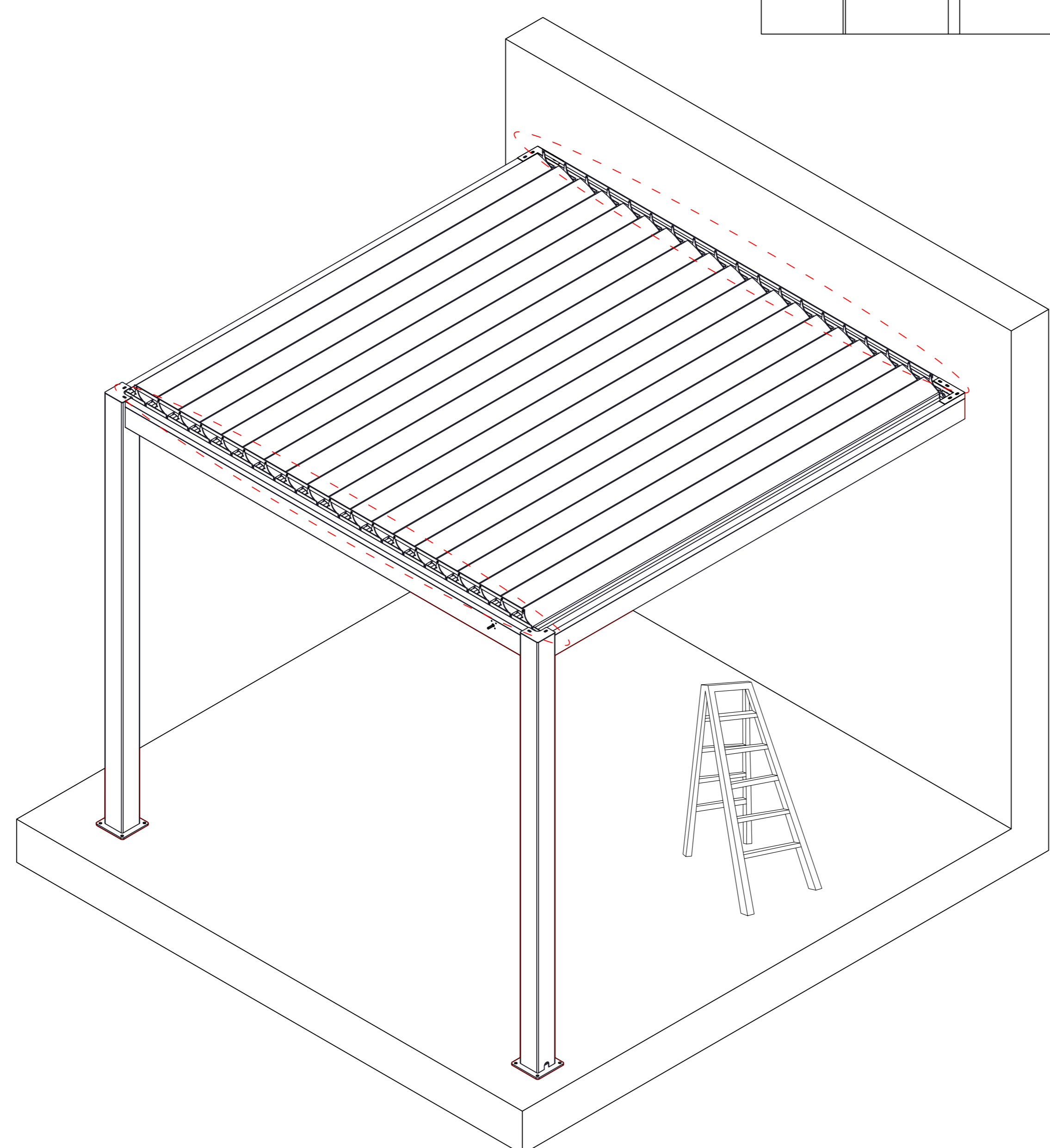
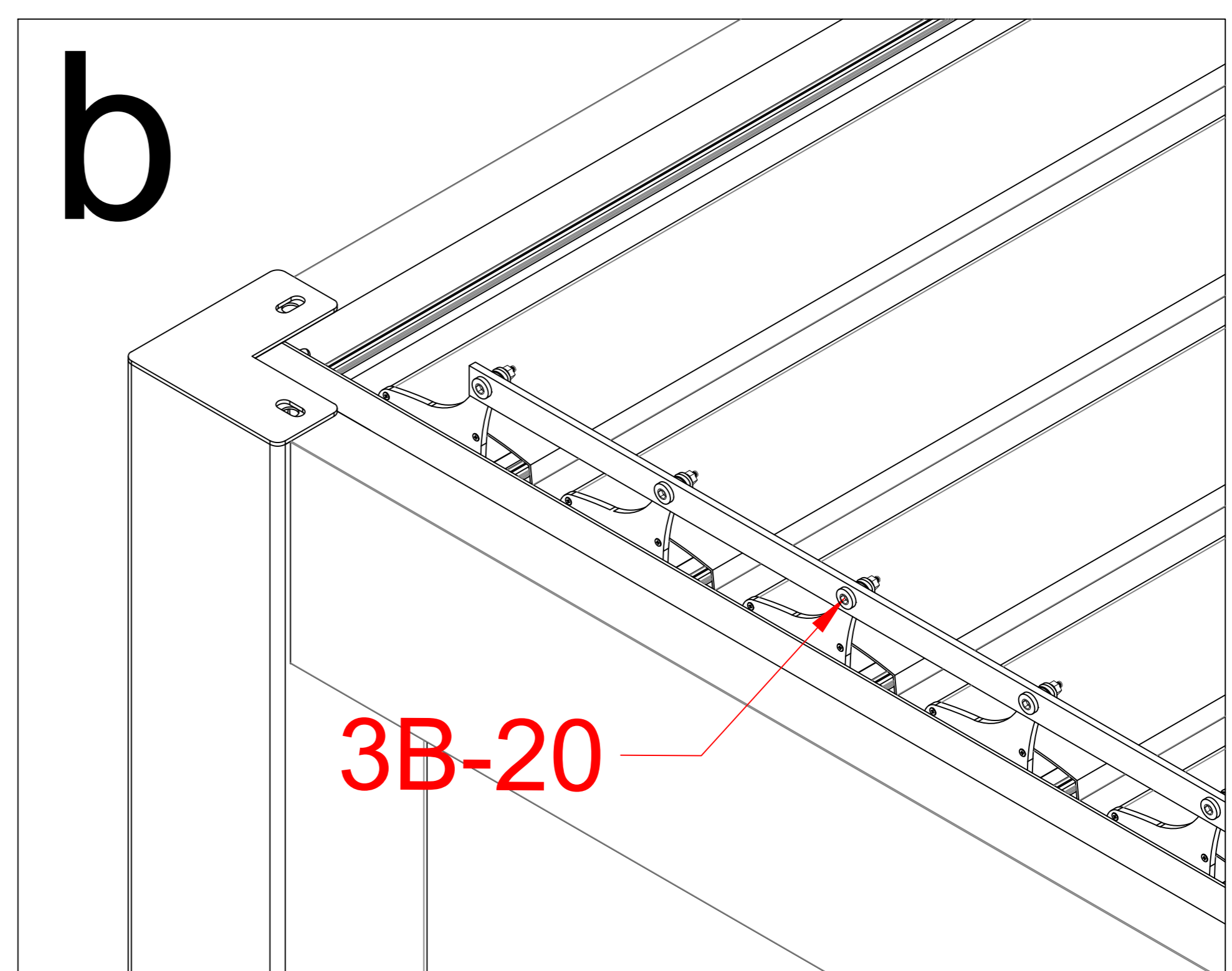
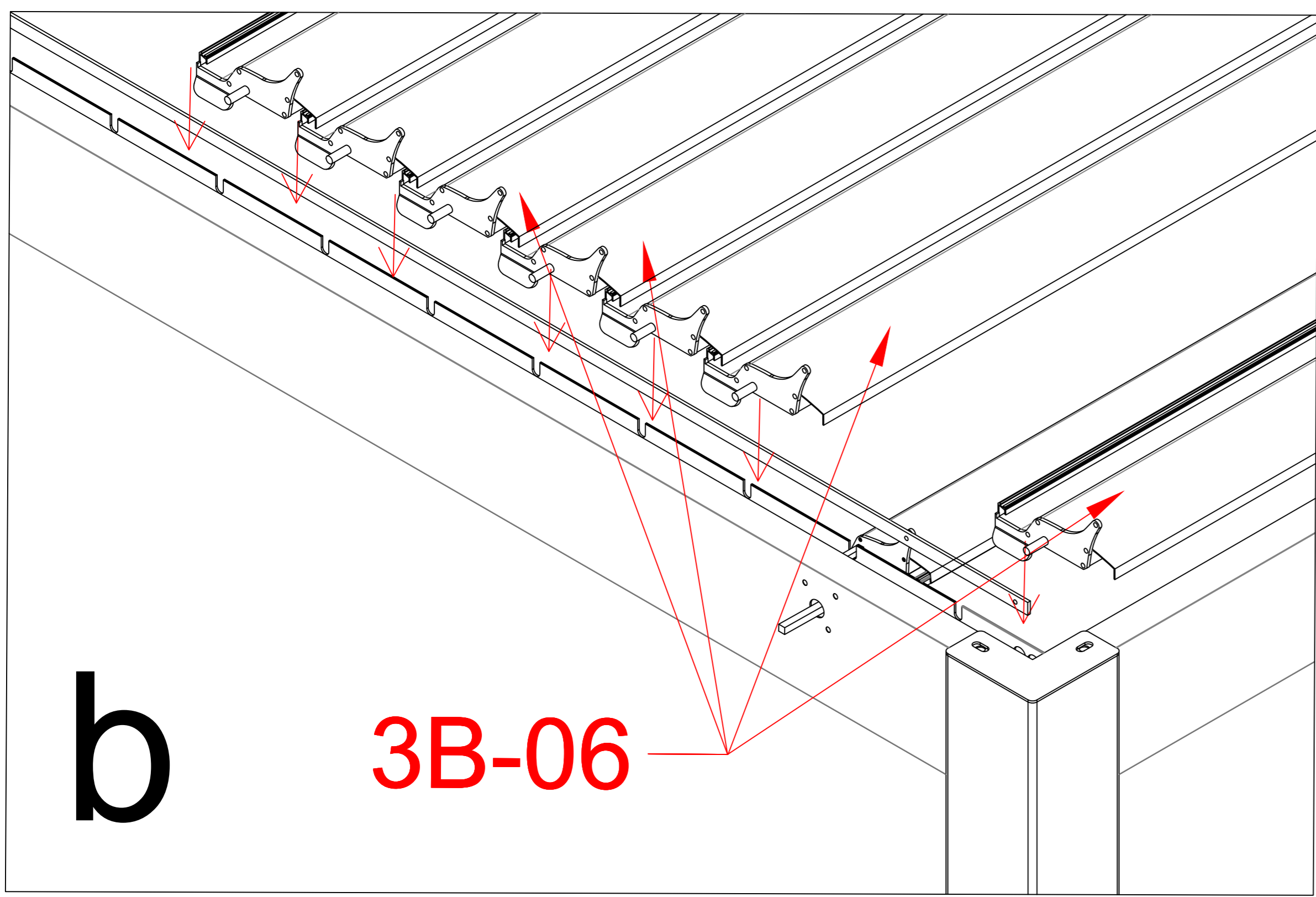


**warning:**  
**Bolts must be tightened,**  
**but not overtight as**  
**louvres have to move.**

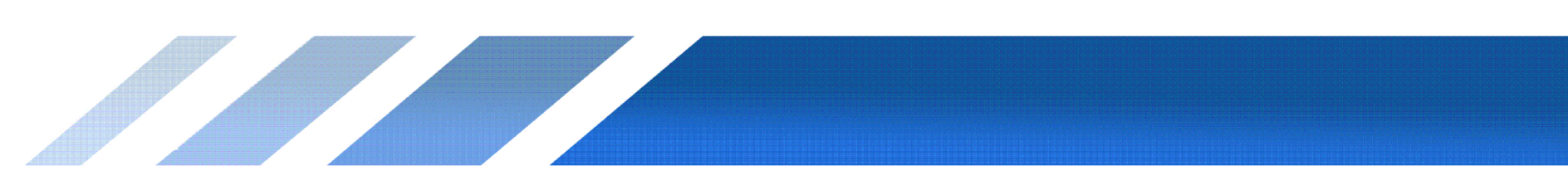


3B-09		2
3B-20		2
3B-06 /50		1



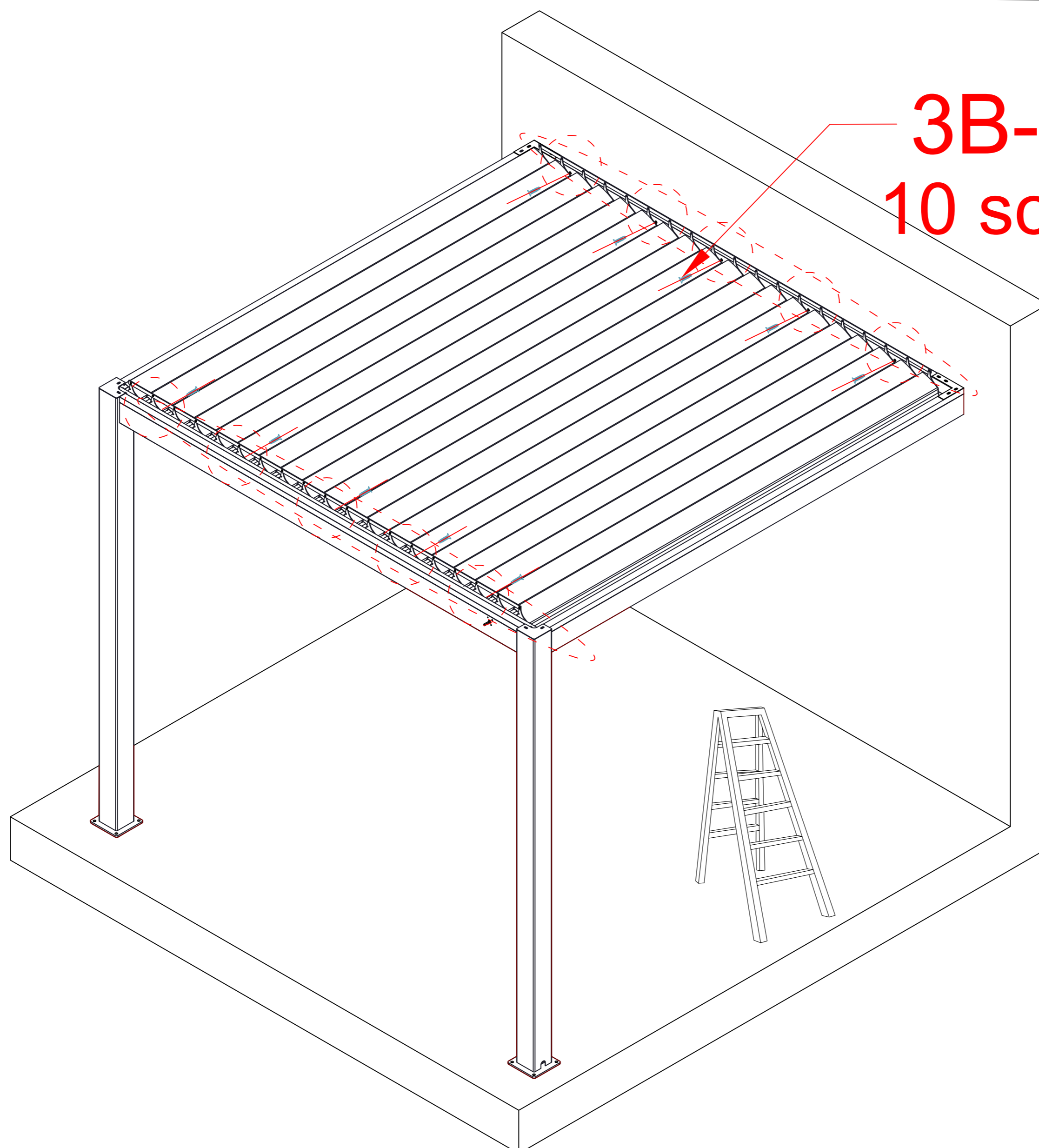
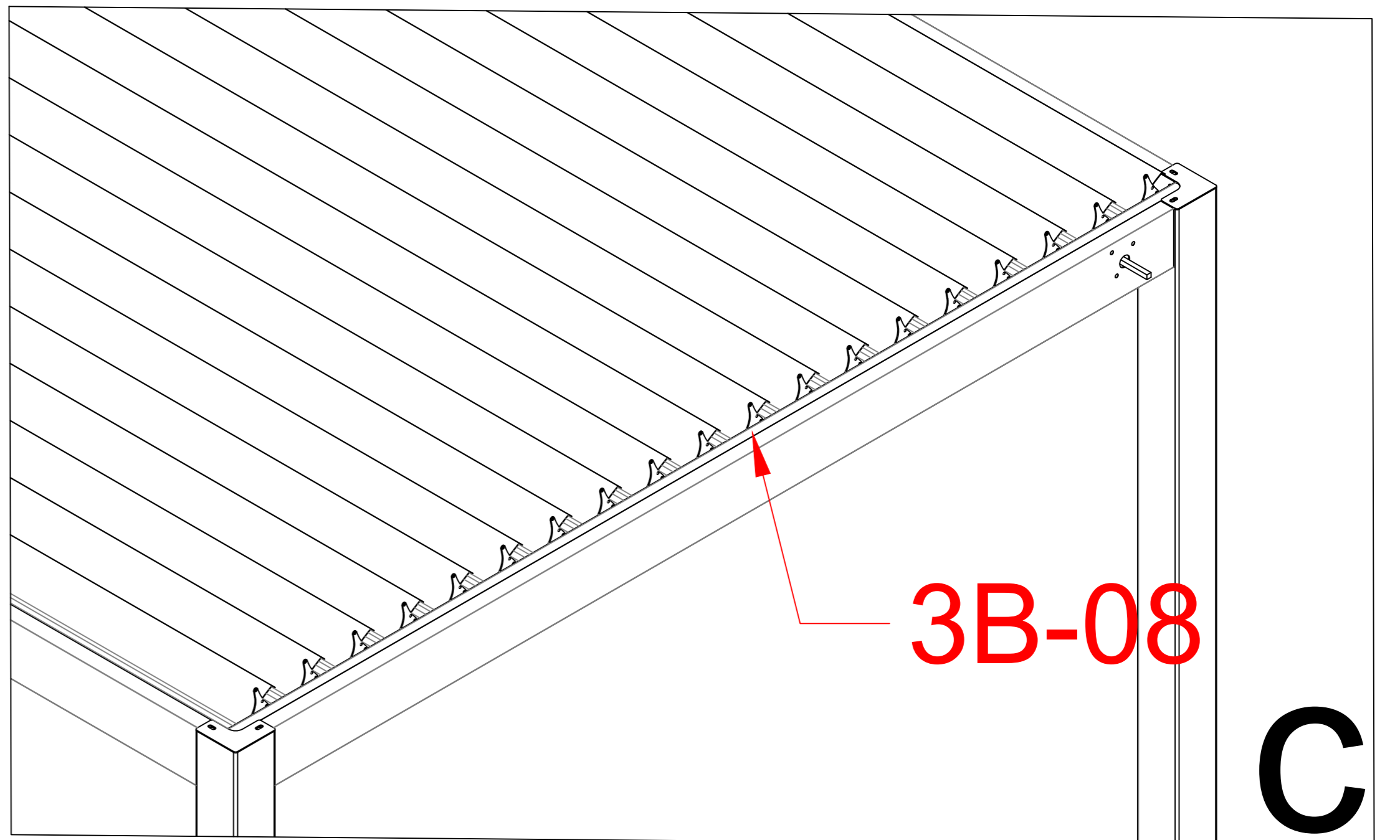
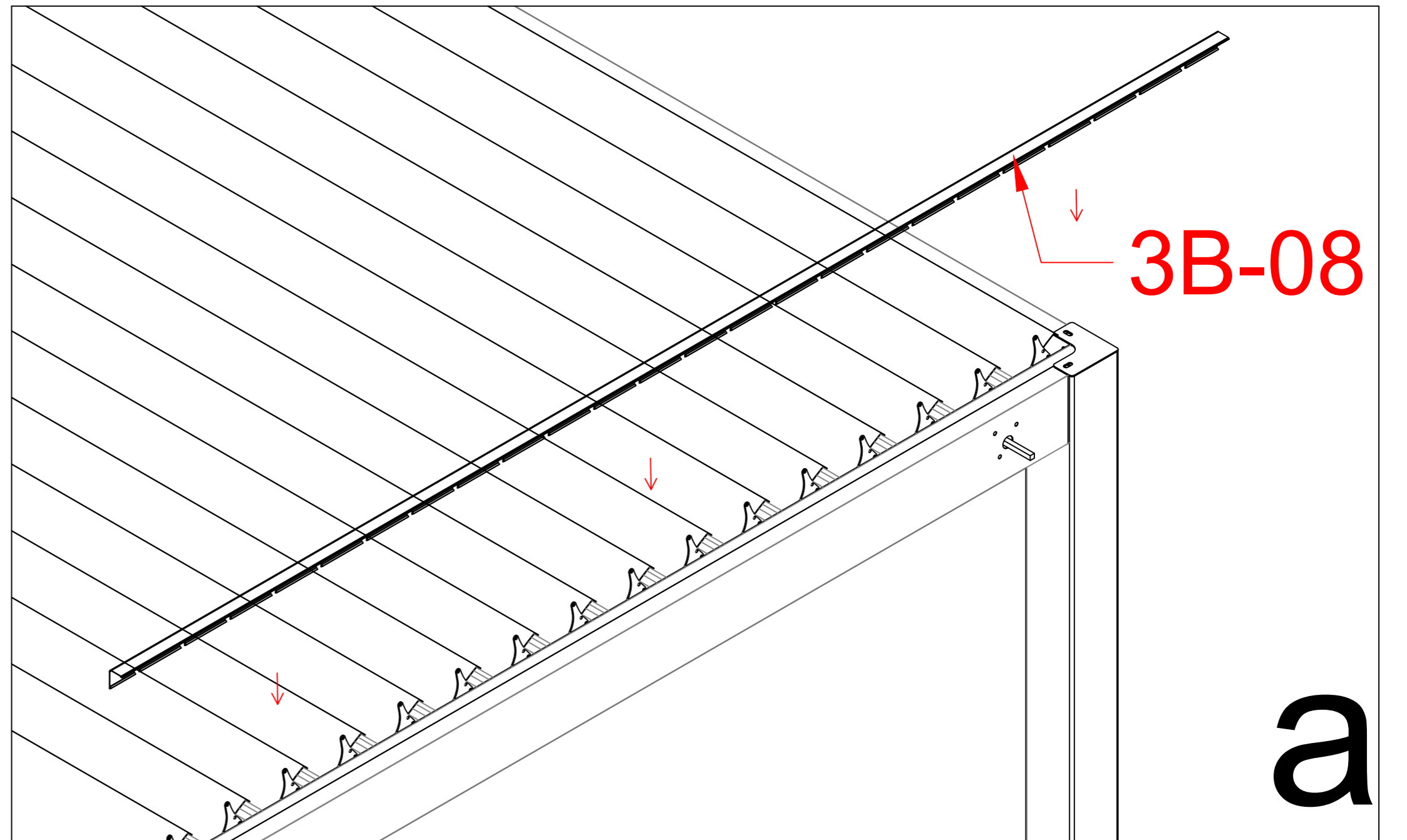
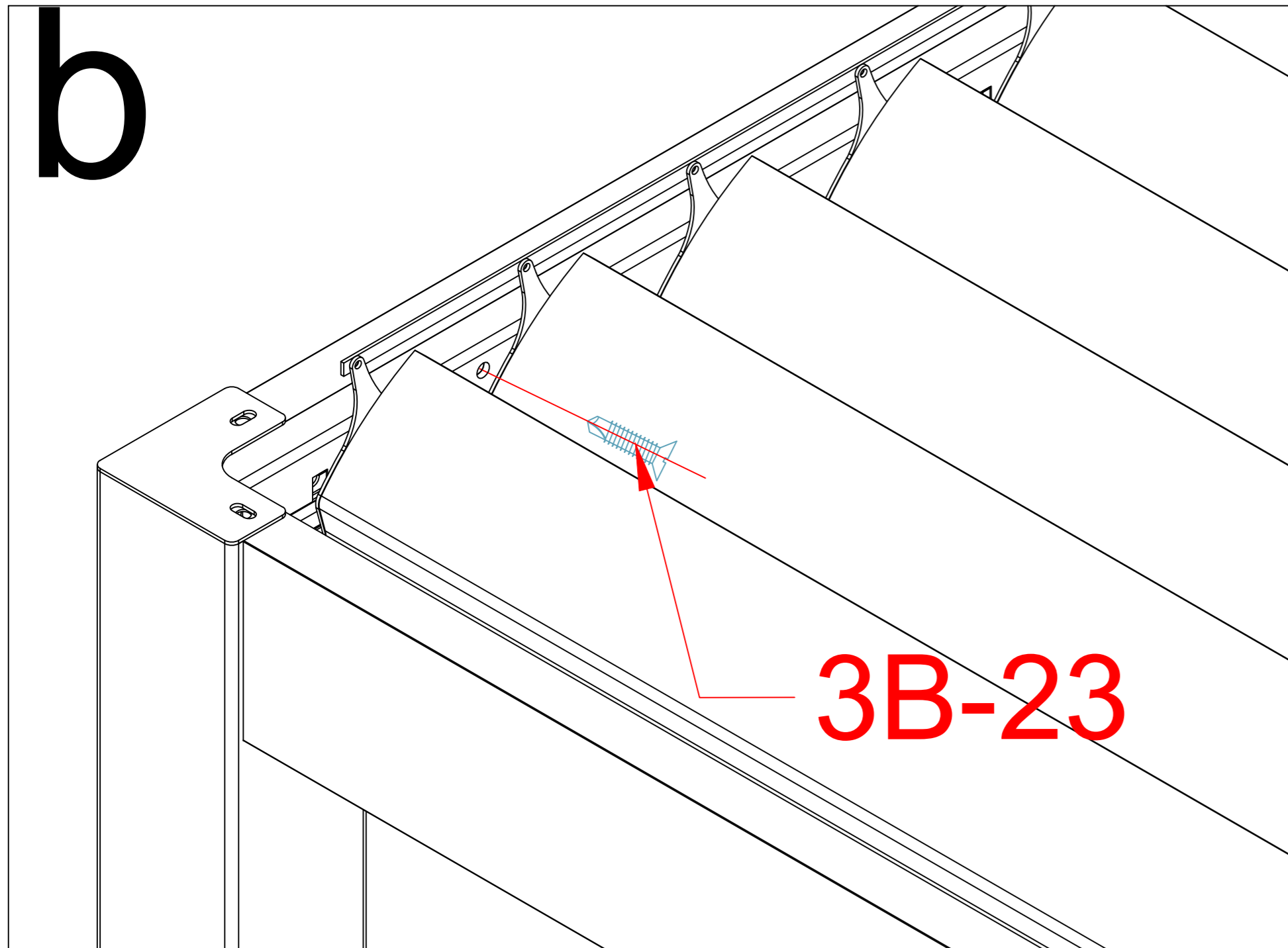


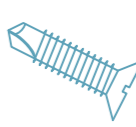
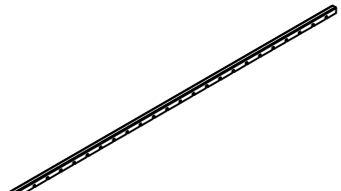
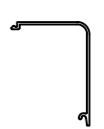
3B-20		24
3B-06		12

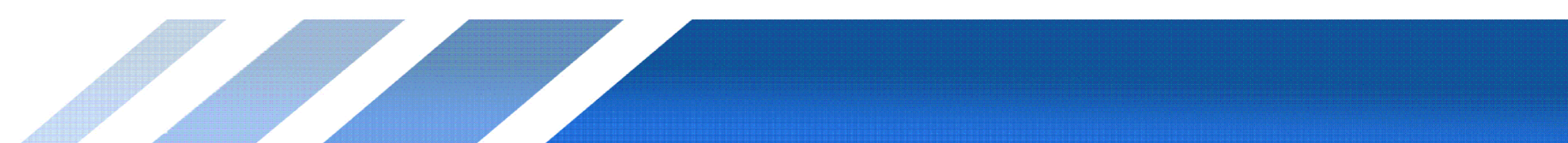


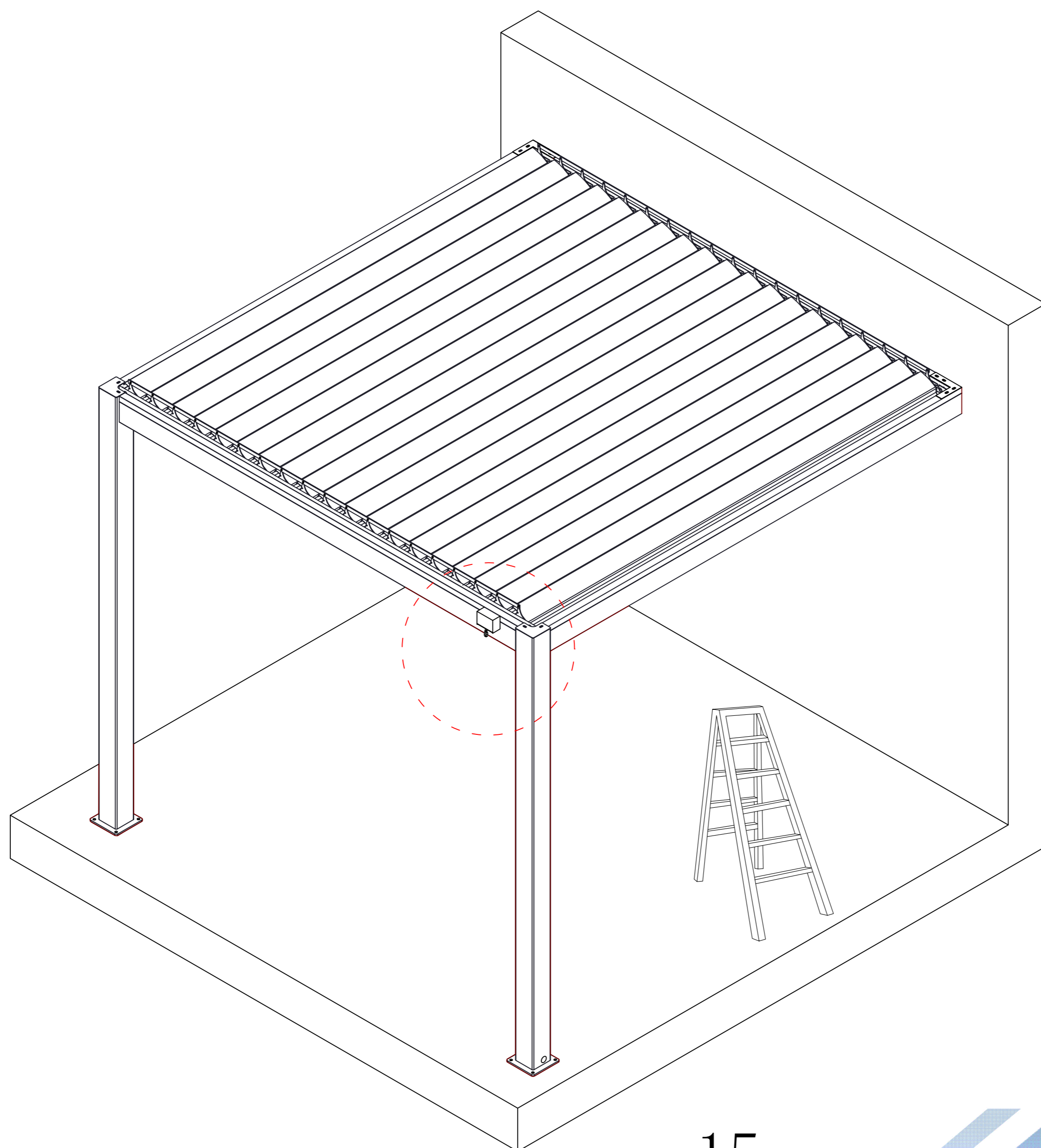
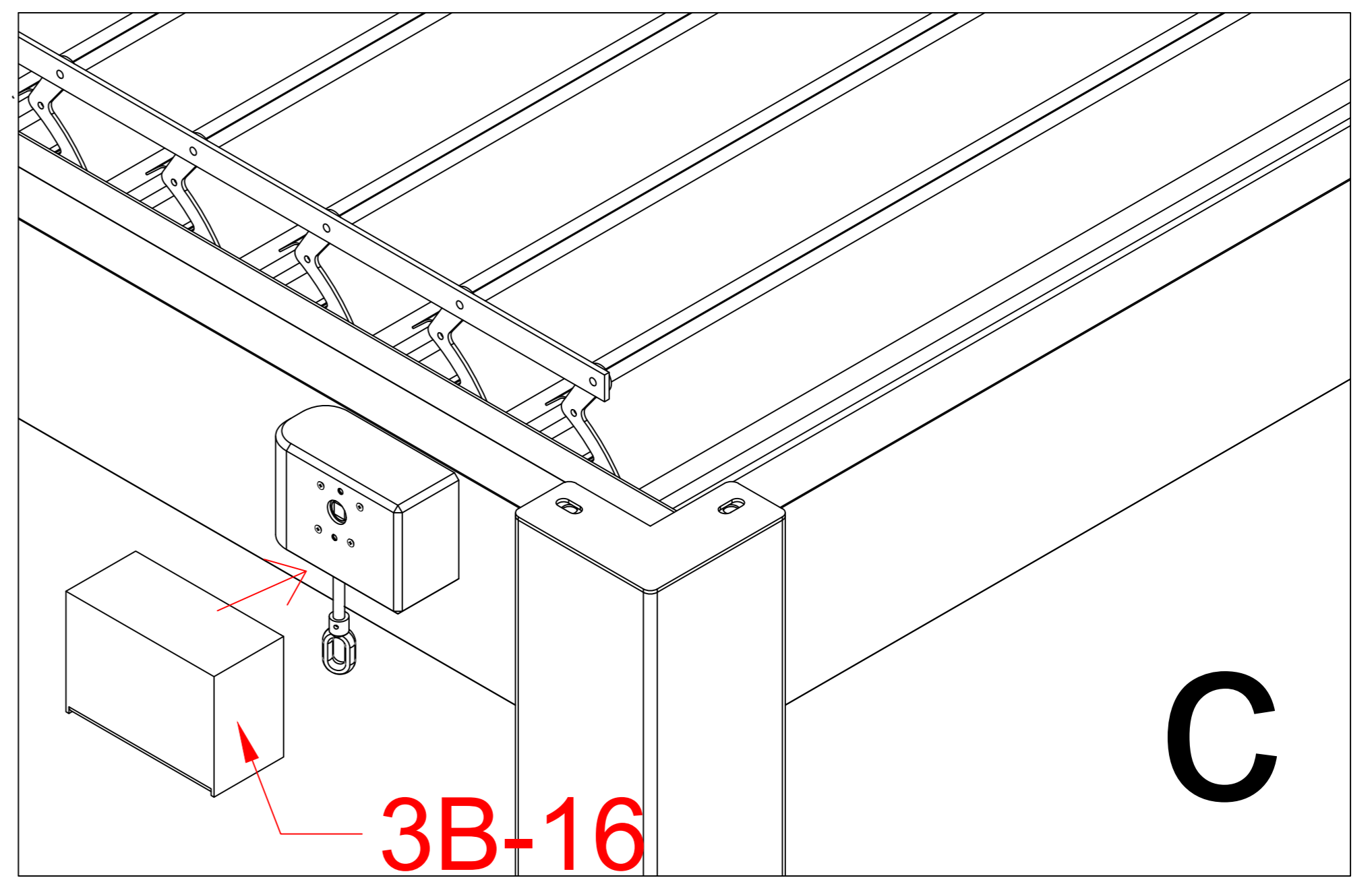
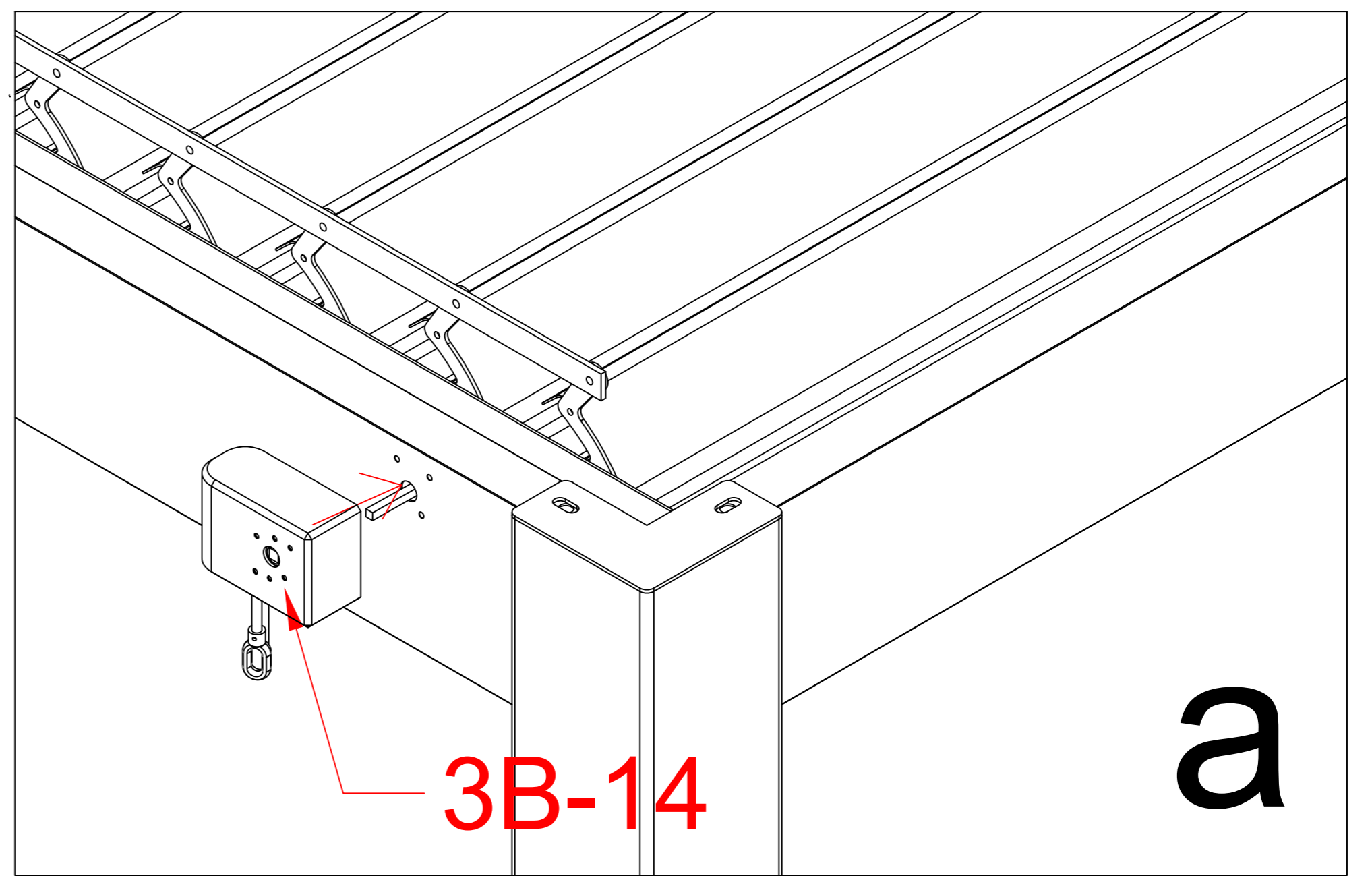
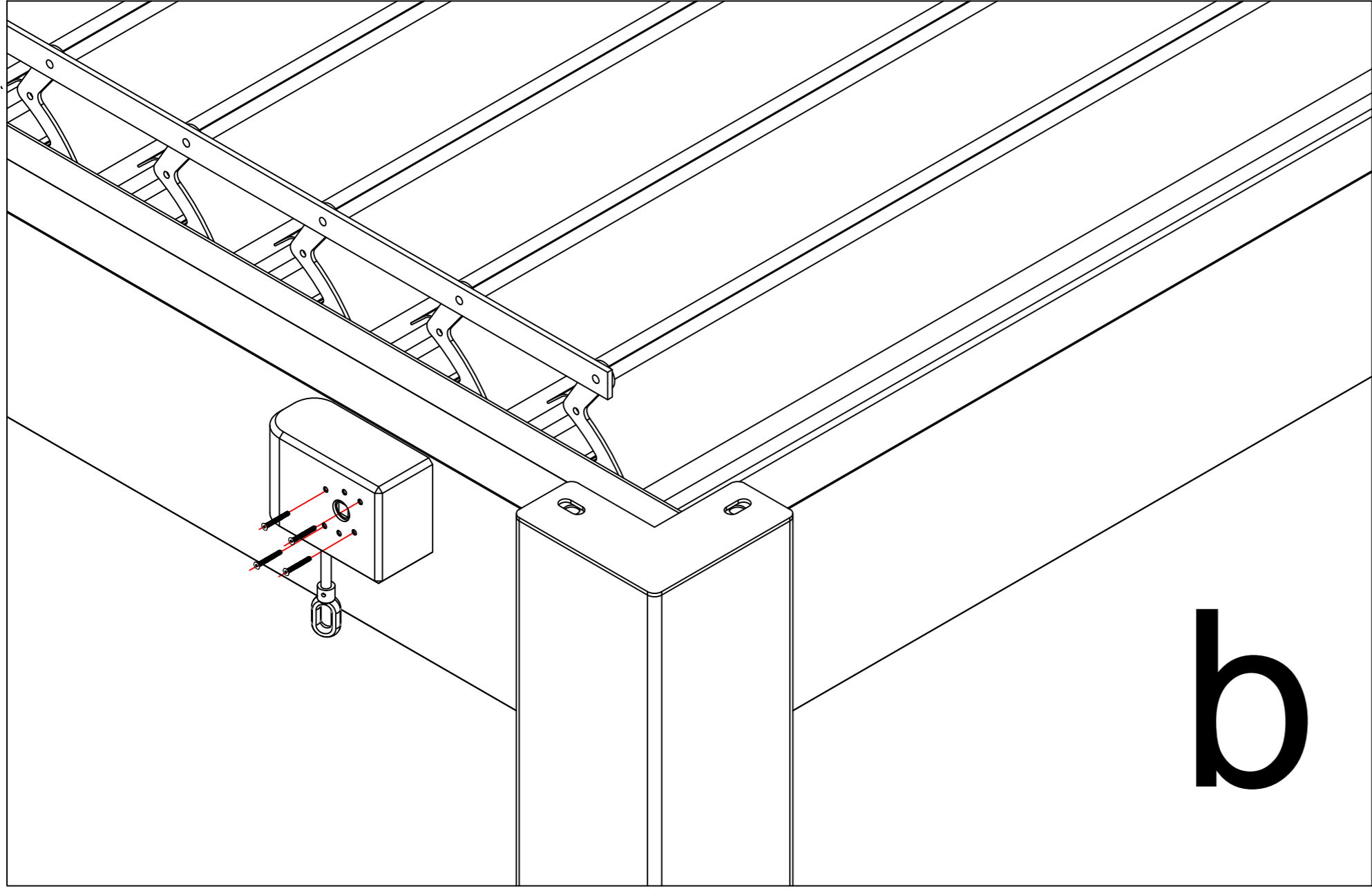


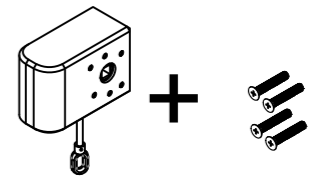
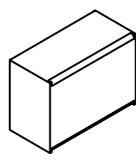
Attention: Please pay attention to differentiation during installation, as the hole positions on both sides are different

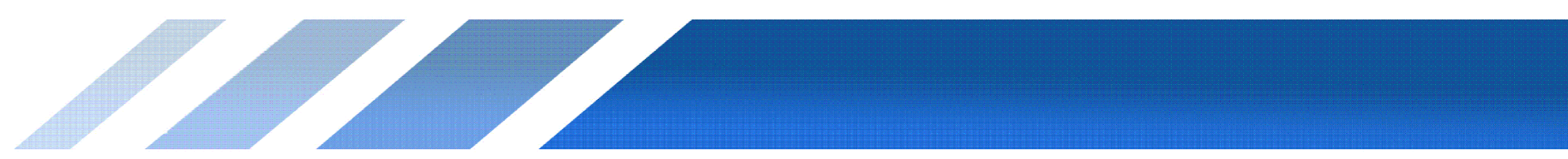


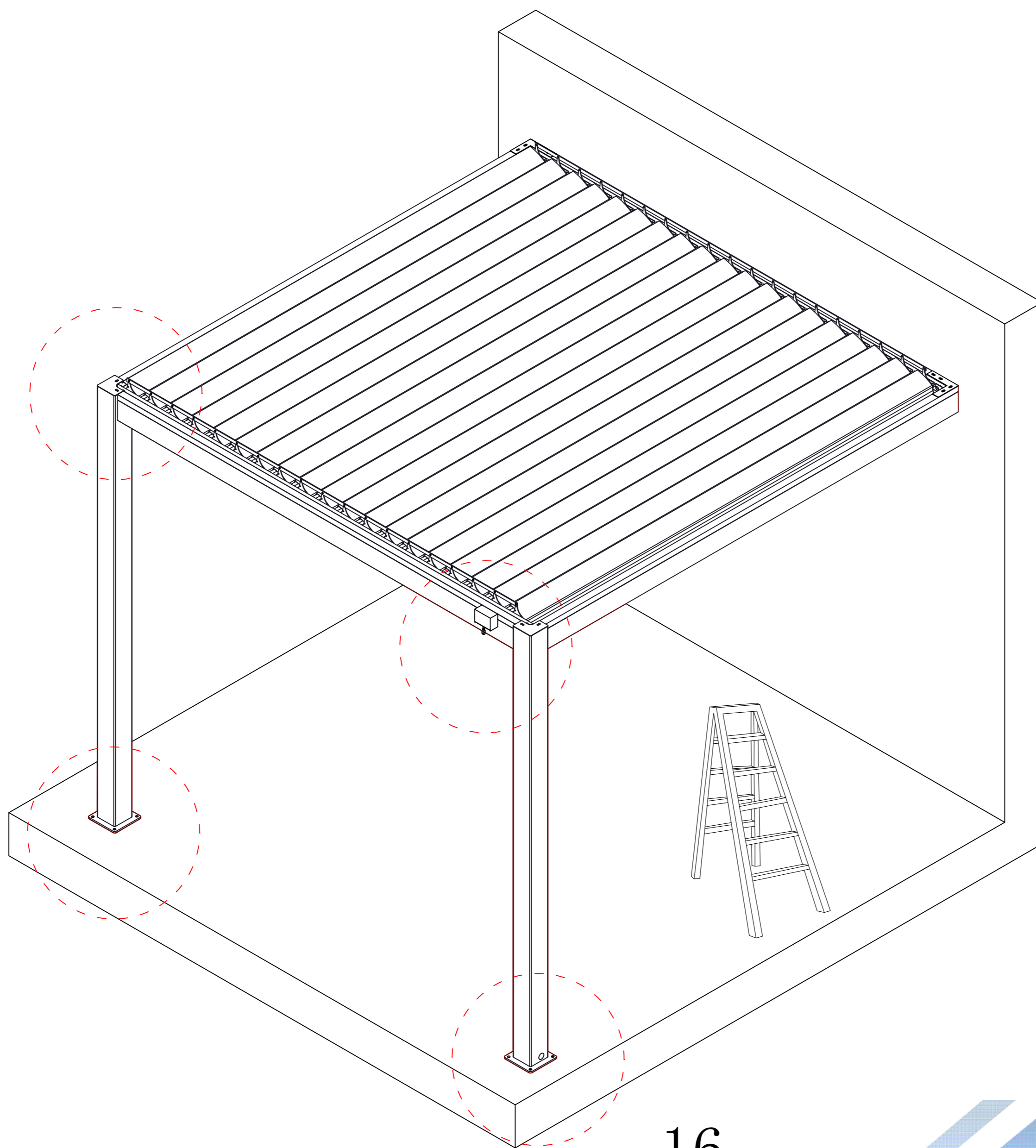
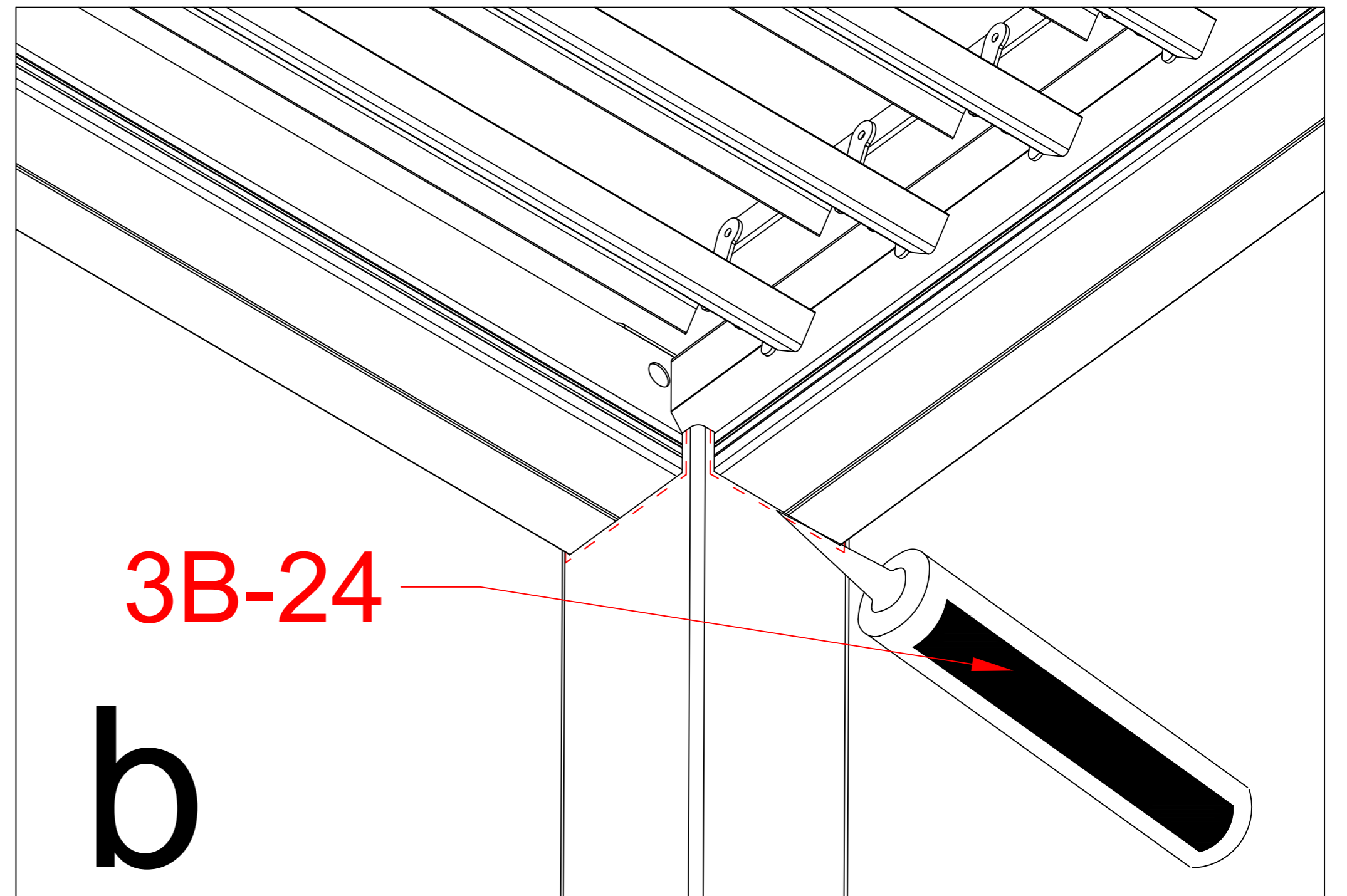
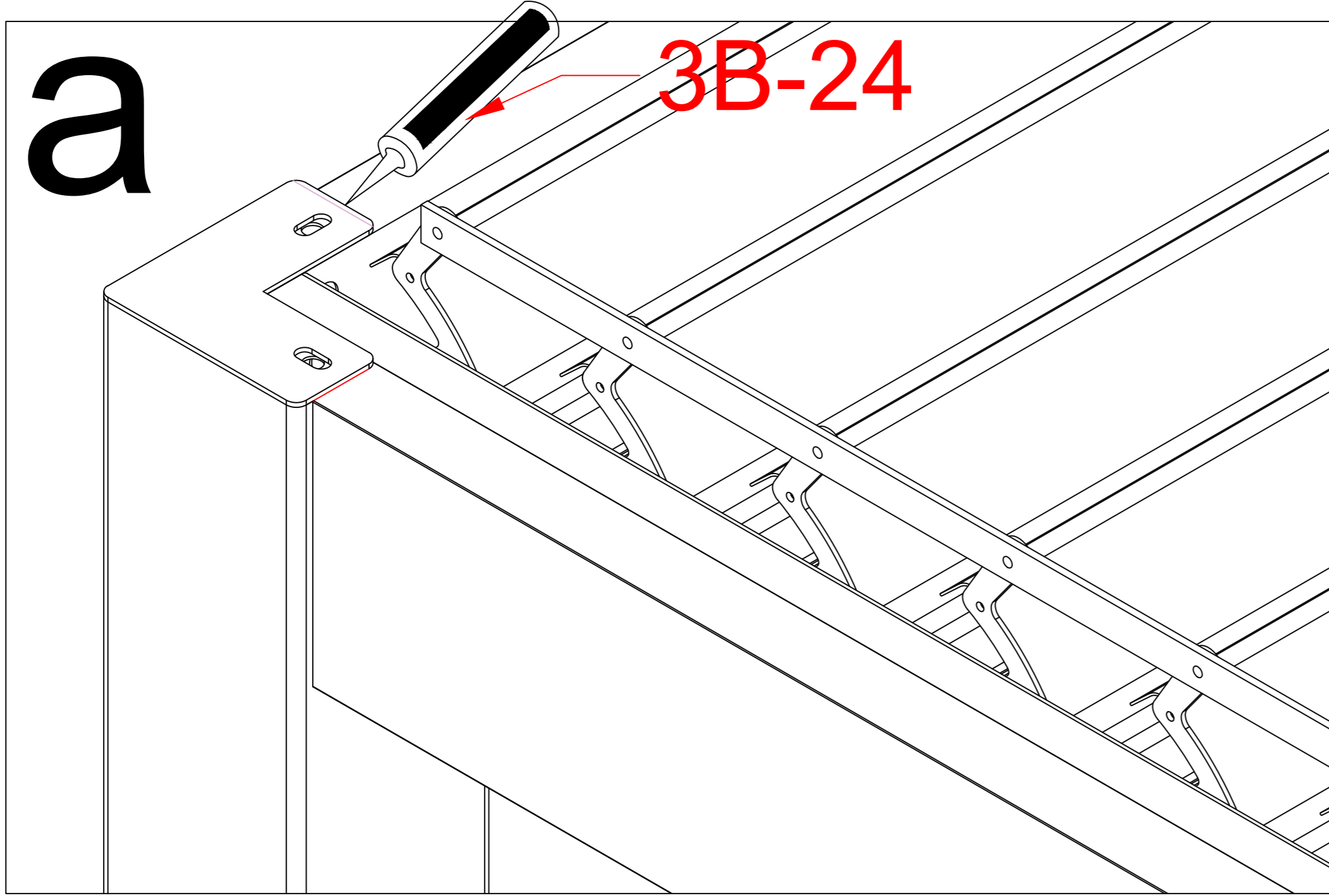
3B-23		10
3B-08	 	2



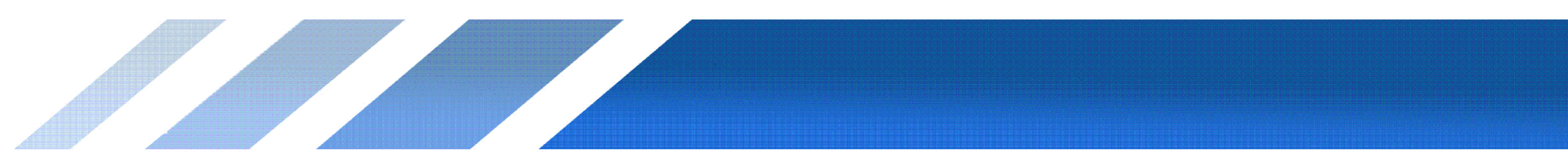


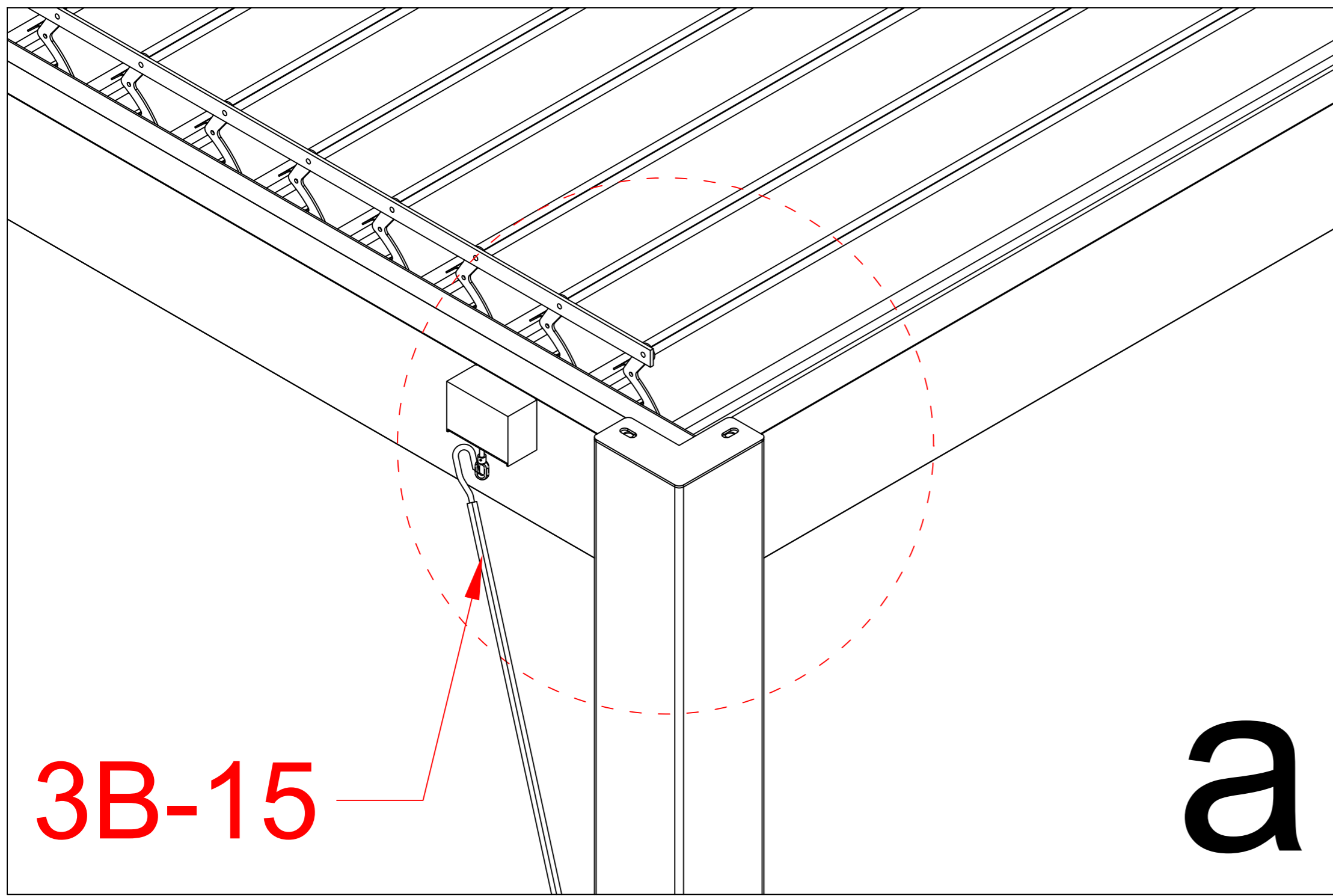
3B-14		1
3B-16		1



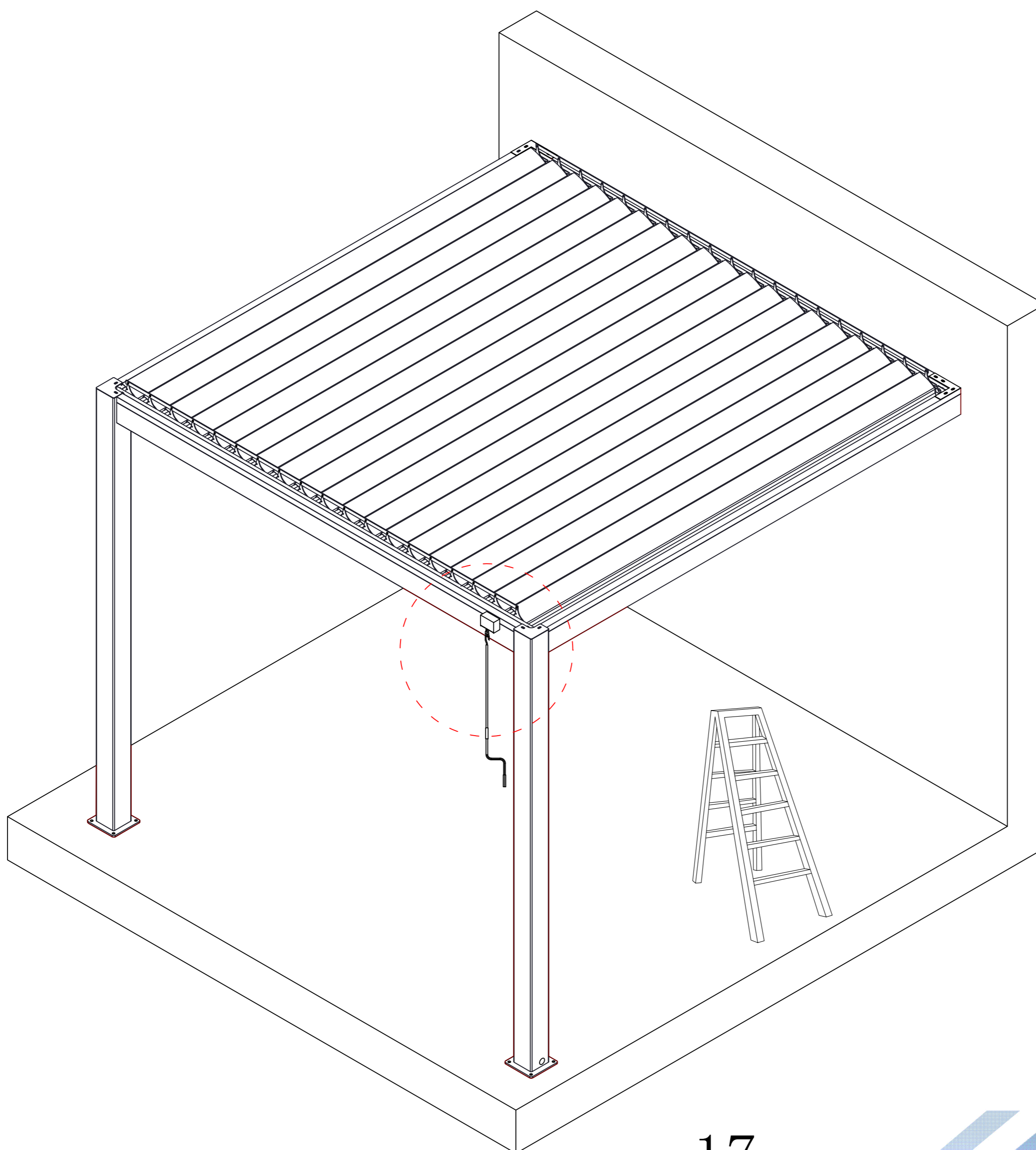
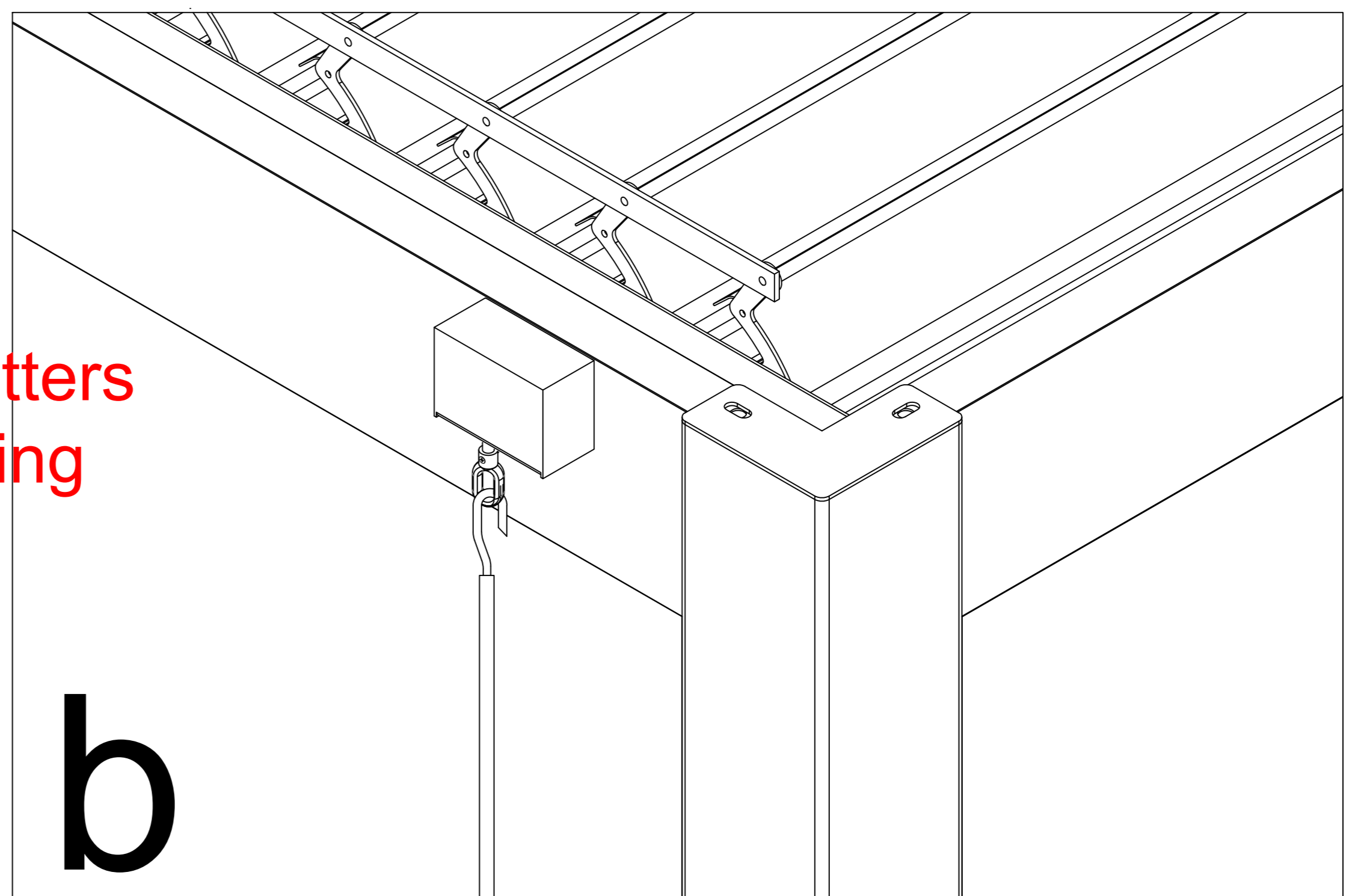


3B-24		1
-------	--	---





**Warning**  
In Snow / Wind season or in case of  
snow / wind forecast open up your shutters  
in vertical position to avoid any damaging  
on your pergola.



3B-15		1
-------	--	---

