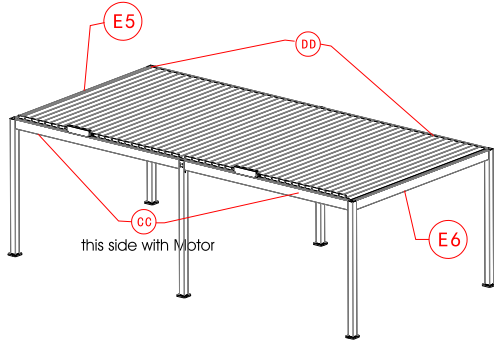




LIVING CULTURE

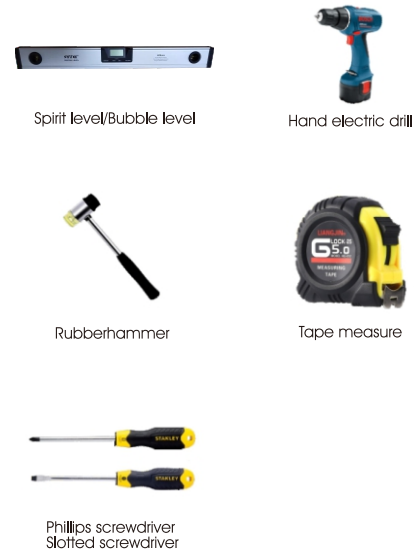
INSTALLATION DIAGRAM (E170 8*4m)



E170 8*4 LIST OF ALUMINIUM PROFILE and COMPONENTS

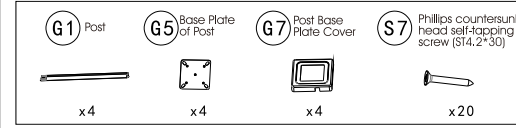
E1	Top Beam part (this side with motor)	X1	H1	Mounting Base	X2
E2	Down Beam part	X1	H2	Motor	X2
E5	Left Beam part	X1	H4	Motor base	X2
E6	Right Beam part	X1	H10	Wire in post	X2
E27	Beam Cover 1	X1			X2
E28	Beam Cover 2	X1	H16	Motor Cover set	X4
E29	Beam Cover 3	X1			X2
E30	Beam Cover 4	X1			X2
E40	Beam Cover 5	X1	S37	Flat head cylindrical pin with hole + Cotter pin (M8*35)	X2
E41	Beam Cover 6	X1	H12	LED Strip	X2
E9	Connection Rod	X2	S1	Expansion bolt	X24
E10	Gutter Clamp	X4	S5	Phillips pan head self-tapping screw (S14,2*16)	x240
G1	Post	X4	S7	Phillips countersunk head self-tapping screw (S14,2*30)	X30
G10	Centre post	X2	S9	Hexagon pan head screw (M6*16)	X30
G4	Post Decoration Cover	X4	S11	Hexagon pan head screw (M6*25)	X8
G11	Decoration Cover of Line post	X2	S20	Connection Rod Screw	X50
G5	Base Plate of Post	X6	S13	Hexagon countersunk head screw (M6*25)	X16
G7	Post Base Plate Cover	X6	S12	Hexagon pan head screw (M6*25)	X4
F5	Louver blade with LED	X9	E39	Linear joint	X2
F6	Louver blade without LED	X4	S38	Cotter pin (Φ1.5*20)	X2
S19	Lock nut (M8)	X4	H9	Wire inside the post	X1
F7	Half blade	X1	H30	Φ14 Pin	X2
H9	Wire inside the post	X1	b	L-angle	X2
H30	Φ14 Pin	X2	c	gasket	X4

Prepare tools before installation

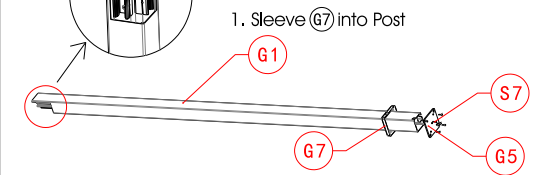


Installation Step

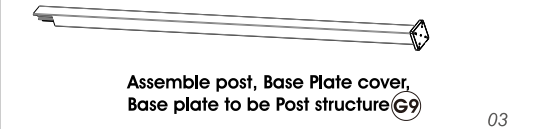
1-Assemble Post Structure



NOTE: (G7) of pergola can not be sleeved onto the post if need to install the zip screen.
Remark: accessories for the post are inside Carton No.1/12

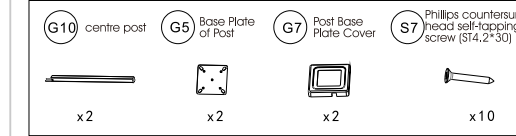


1. Sleeve (G7) into Post
2. Use (S7) fasten (G5) and (G1).

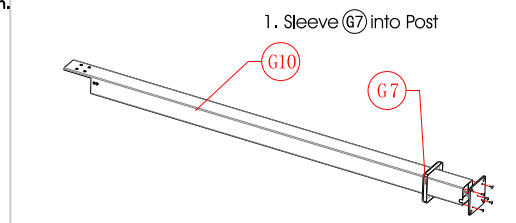


Assemble post, Base Plate cover, Base plate to be Post structure (G9)

2-Assemble Centre Post Structure



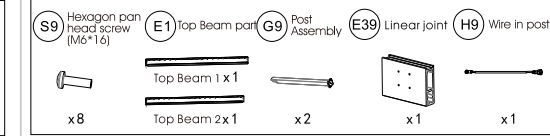
NOTE: (G7) of pergola can not be sleeved onto the post if need to install the zip screen.



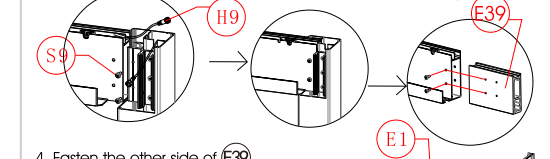
1. Sleeve (G7) into Post
2. Use (S7) fasten (G5) and (G10).

Assemble Centre post, Base Plate cover, Base plate to be Post structure (aa)

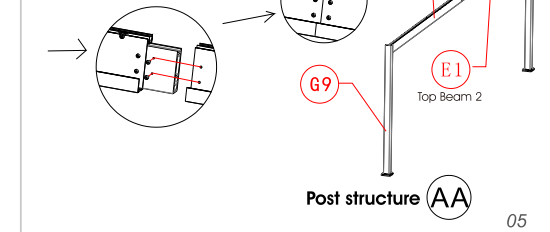
3-Assemble Top Beam Frame (AA) (this side with Motor)



1. Install the top beam 2. Use (S9) to fasten. 3. Put (E39) part into the U slot of post.

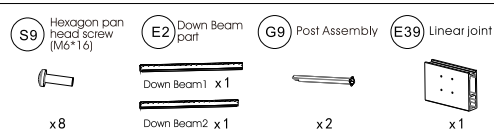


4. Fasten the other side of (E39) and top beam 2 with (S9)

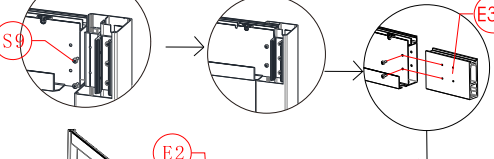


Post structure (AA)

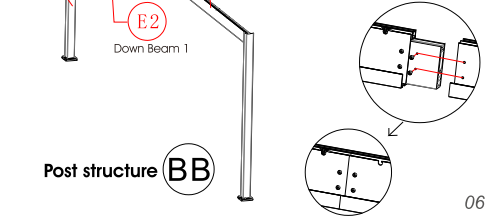
4-Assemble Down Beam Frame (BB)



1. Insert the down beam into the U slot of post. 2. Use (S9) to fasten. 3. Put (E39) part into the down beam 1 and fasten with (S9)

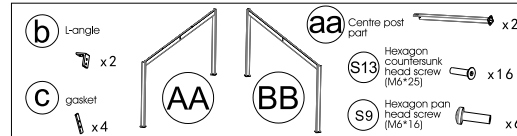


4. Fasten the other side of (E39) and Down beam 2 with (S9)

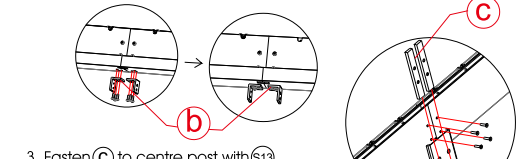


Post structure (BB)

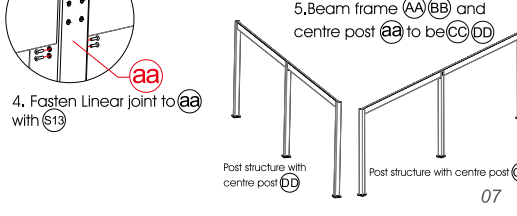
5-Fasten Centre Post



1. Fasten the (b) to split beam with 6 pieces (S9) 2. Sleeve (aa) into (b) from bottom to top.

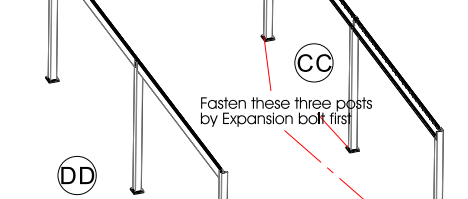
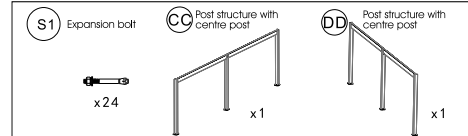


3. Fasten (c) to centre post with (S13)



Post structure with centre post (DD)

6-Fasten The Post



Fasten these three posts by Expansion bolt first
Post structure (DD), don't fasten at this step
Ensure Posts are vertical using a level and measurement are as per specification.
Insert 8.1

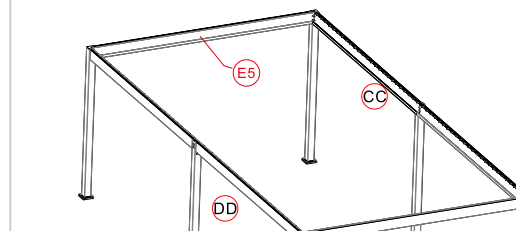
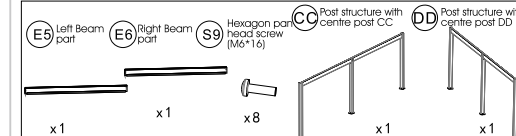
Insert 8.1

FIXING PERGOLA TO TIMBER DECKING

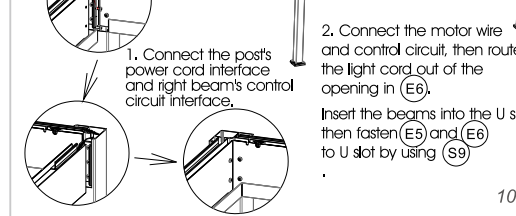
If Fixing Pergola to a Timber Decking the following Rules must be followed.

It is advised that All Four (4) Points of each Leg are secured to the Decking using Timber Tec Screws 12g x 100mm Stainless (304) or Galvanised Hex Head Timber Screws or an Equivalent (NOT INCLUDED). If these Screws cannot be located into Load Bearing Joists; then support timber must be placed under the decking for security.

7-Assemble the Whole Frame

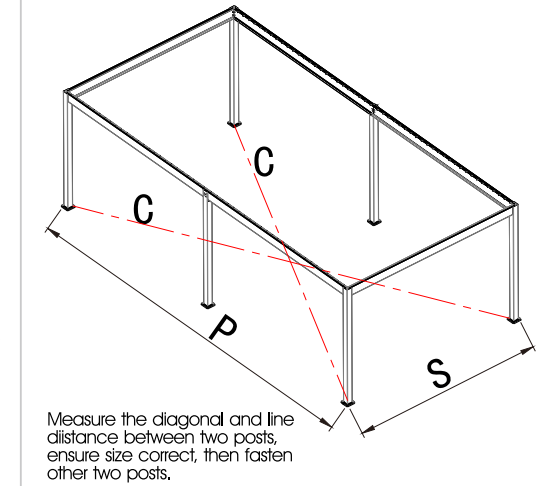


1. Connect the post's power cord interface and right beam's control circuit interface.



2. Connect the motor wire and control circuit, then route the light cord out of the opening in (E6). Insert the beams into the U slot, then fasten (E5) and (E6) to U slot by using (S9)

8-Adjust and Fasten The Frame

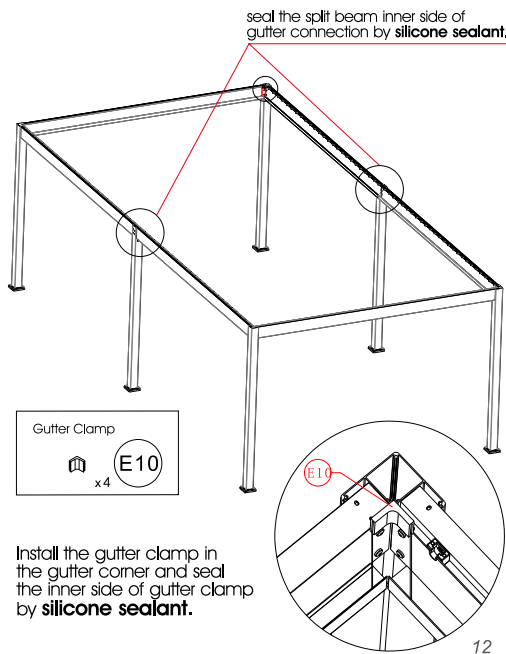


Measure the diagonal and line distance between two posts, ensure size correct, then fasten other two posts.

Install Measurement Data Sheet			
Distance	P	S	C
Size	7676	3905	8342.4

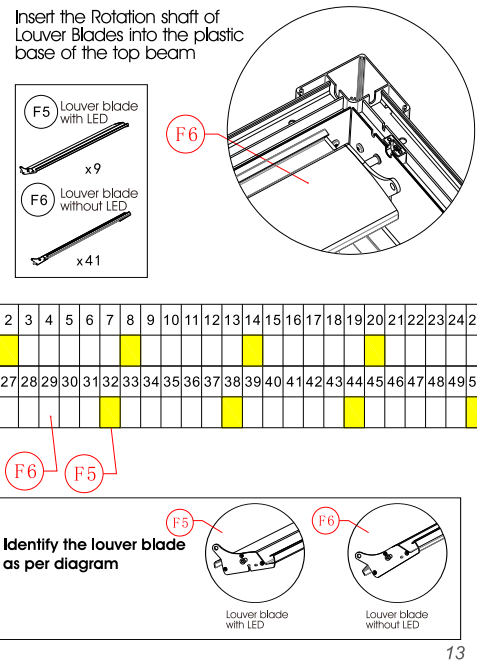
Ensure all posts are vertical using a level.

9-Install the Gutter Clamp



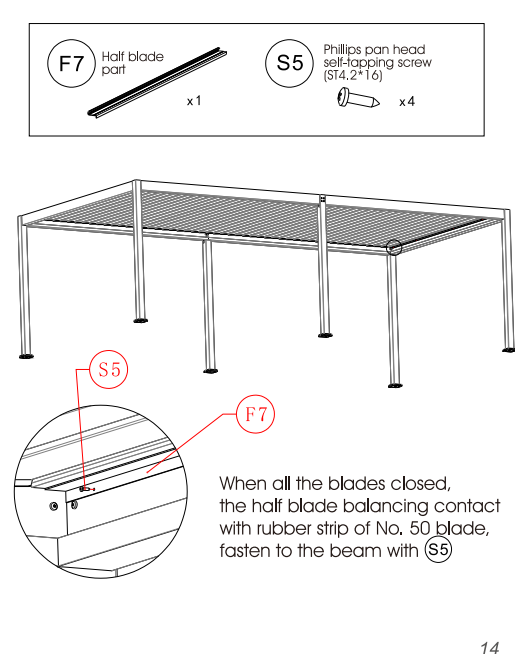
12

10-Install Louver Blade



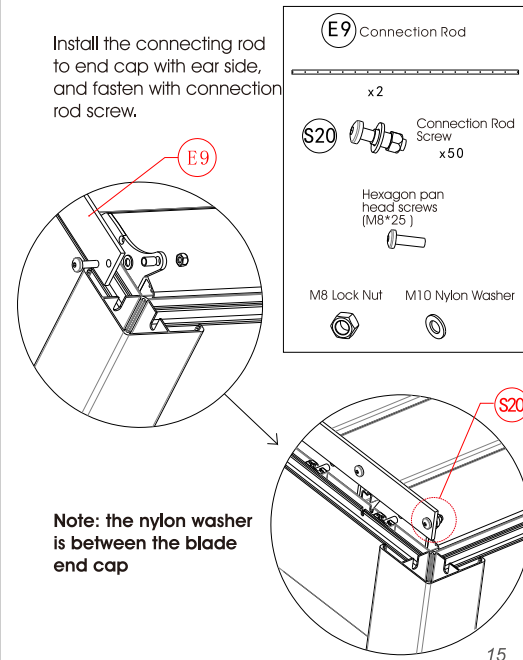
13

11-Install half blade



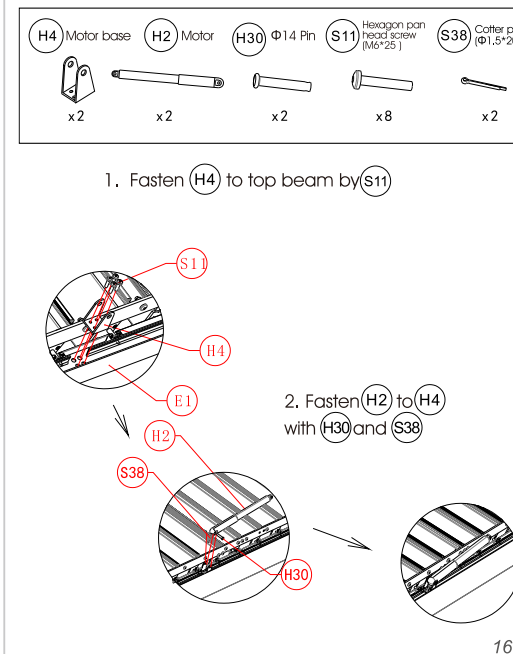
14

12-Install The Connecting Rod



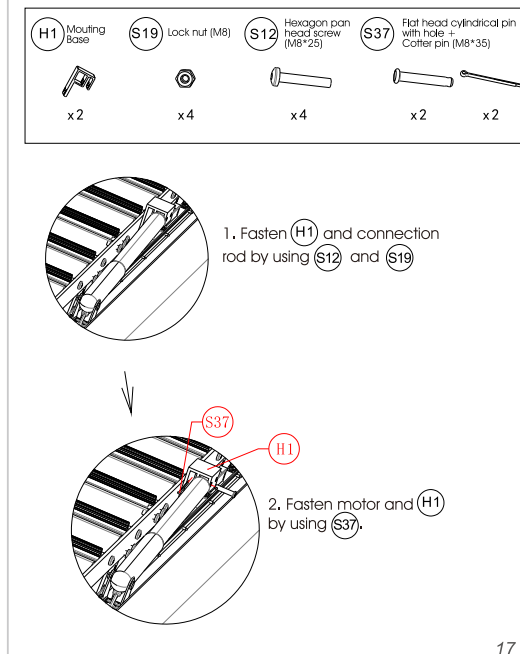
15

13-Install Motor



16

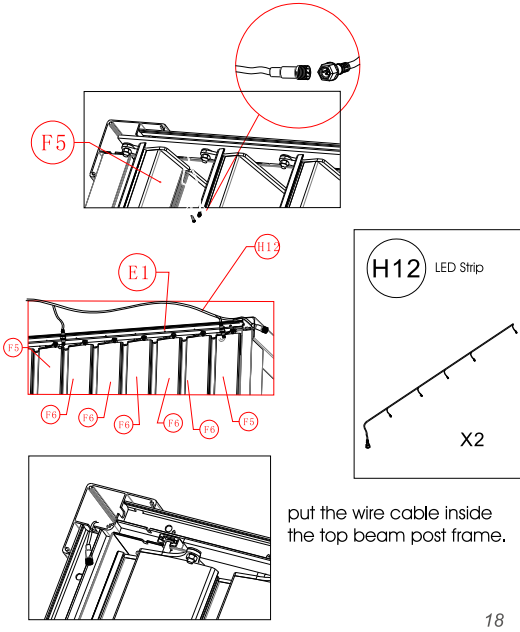
14-Install Connection Rod



17

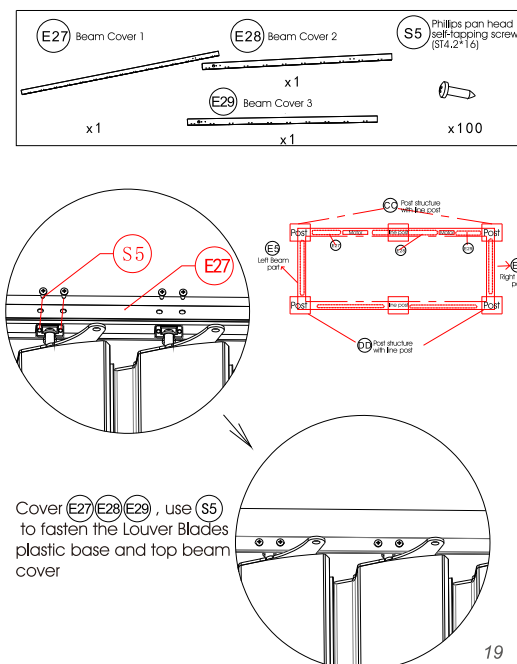
15-Connect wire

1. LED wire connect with power cord interface



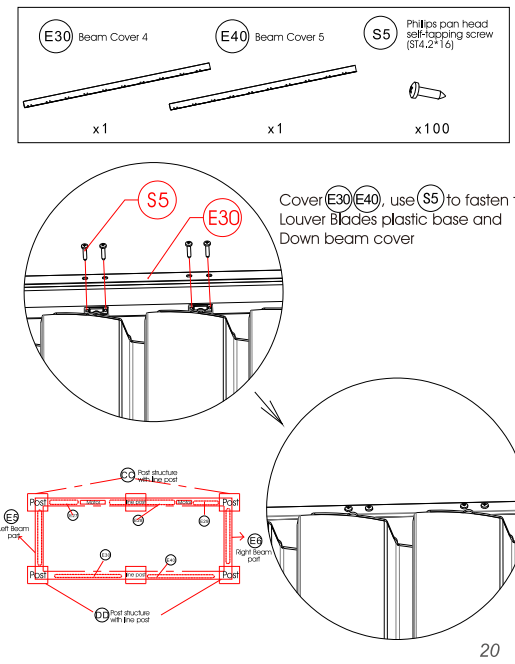
18

16-Fix Beam Cover 1.2.3



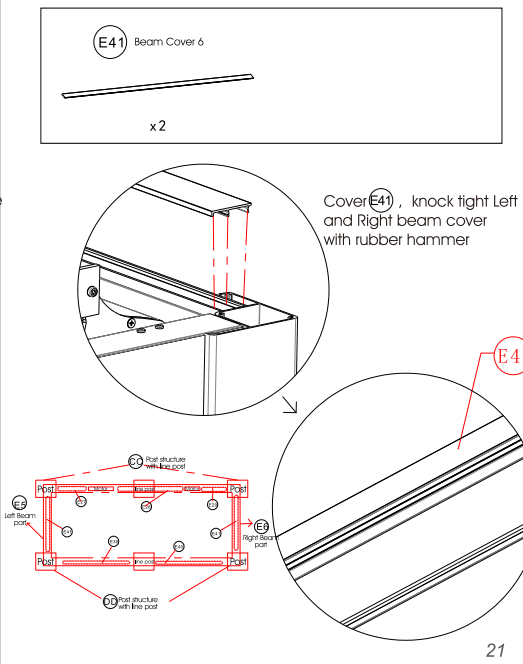
19

17-Fasten Beam Cover 4.5



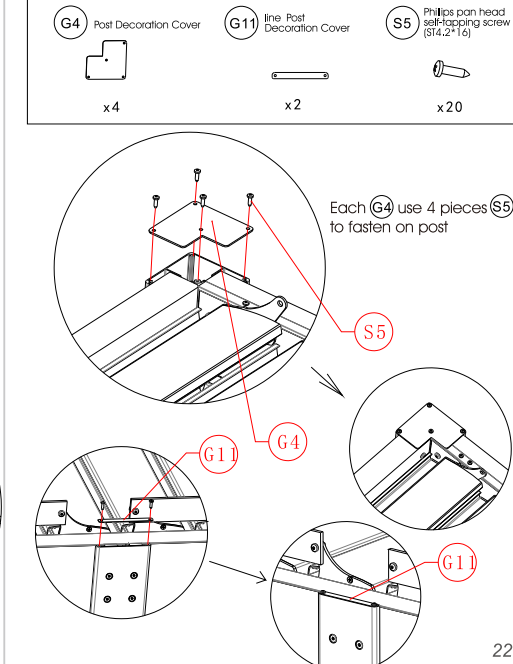
20

18- Fasten Beam Cover 6



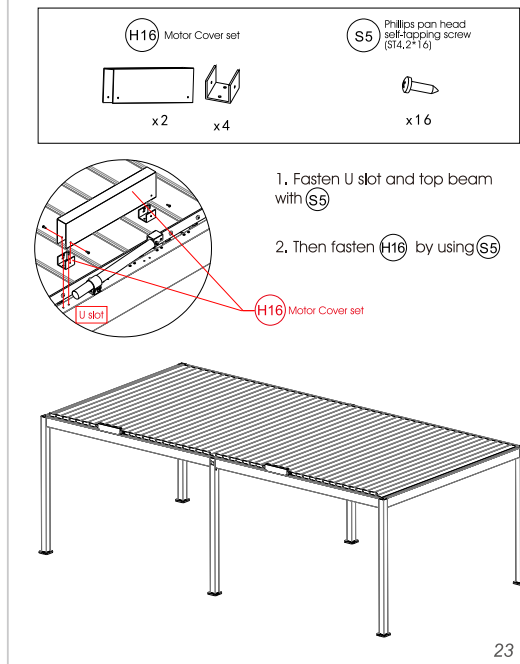
21

19-Install Post Decoration Cover



22

20- Install Motor Cover



23