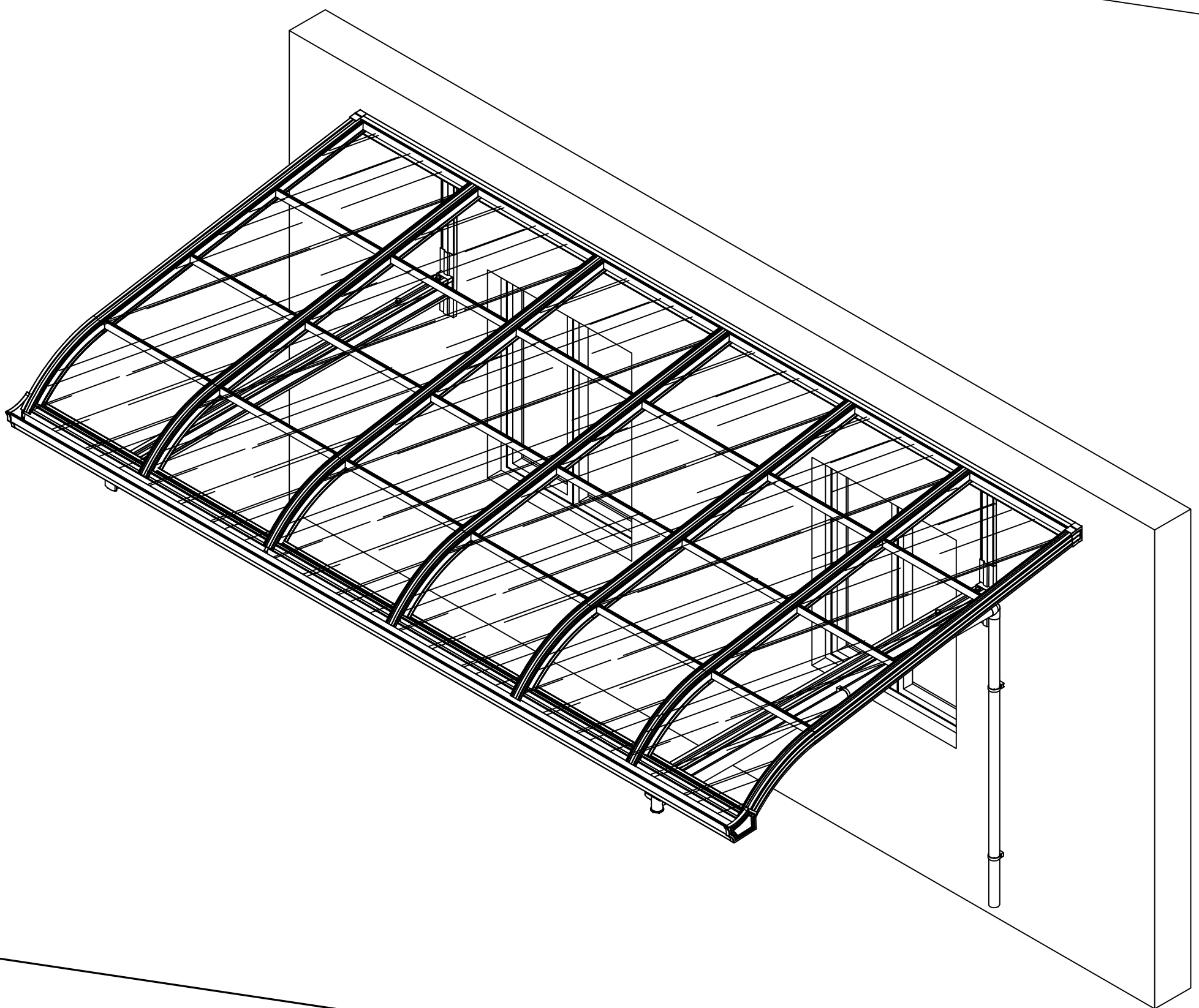




LIVING CULTURE

# Model A7R Window / Door Awning Canopy Installation Instruction



# INSTALLATION NOTES

Before you start to install the product ,please read below notes:

1.This is a general version manual .Make sure that you review the design when place an order and read this manual several times before you start to assemble patio cover .

2.Check the package list and confirm all components ! Do not throw away any package until the patio cover is installed completely

3.Minimum 2 people are required during the installation

4.Please put the product very gentle when you take the products out of package,it is better to cover a carpet or hard paper box on the flooring to protect it from scratching

5.You should better to screw the patio cover attached to your house

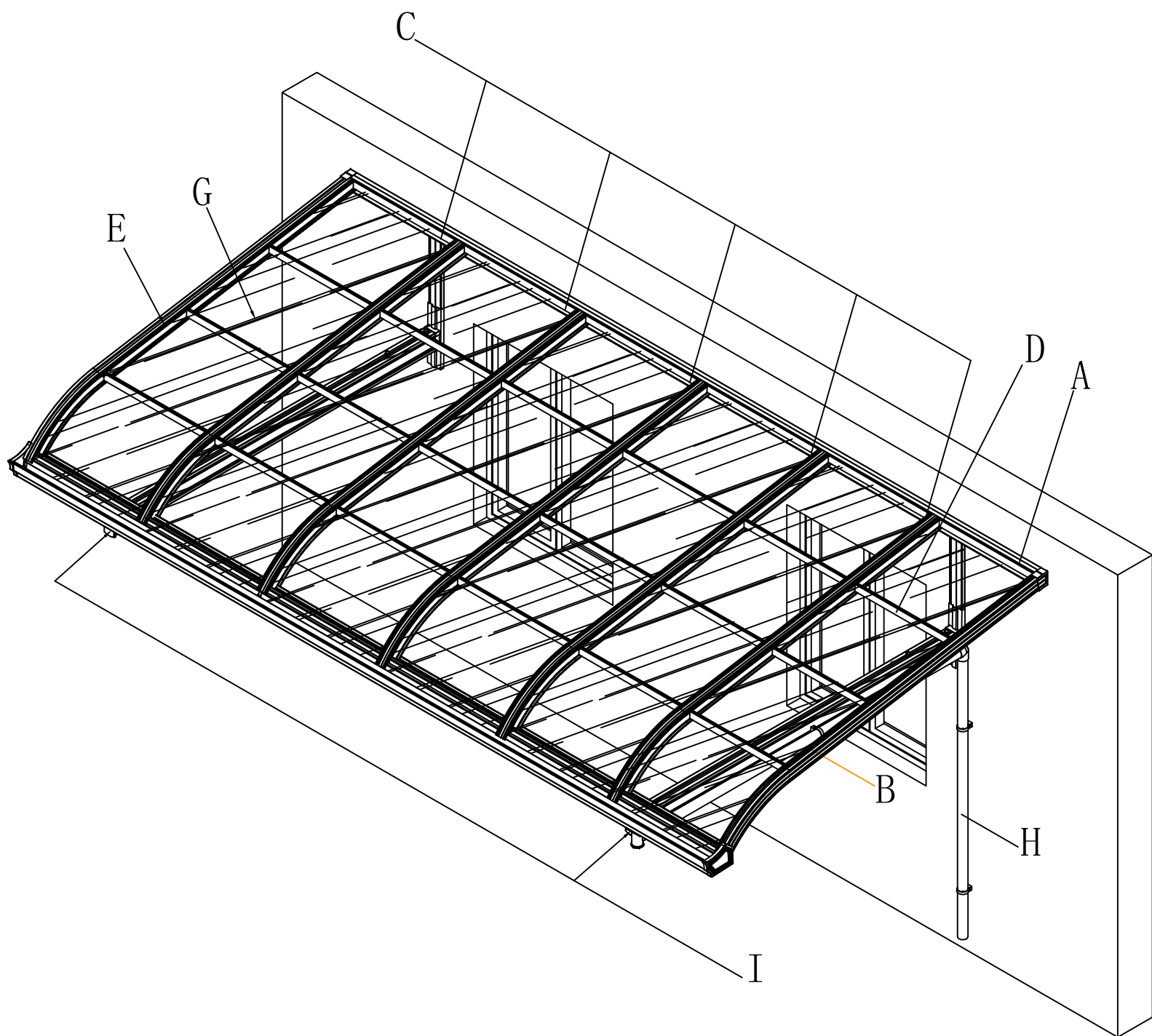
6.You should remove the film coated on the products entirely during the installation because it is difficult to remove them after explosion under extreme temperature.

7.Please do not DIY our product and take use of the other alternative accessories when you change the original design ,which will void your warranty

8.We hold no responsibility for any damage caused due to human factor ,especially incorrect assembly







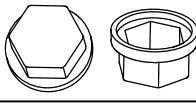

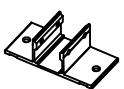





9.During the installation process,if you encounter any uncertainties,please refer to the installation instructions on the product page website.




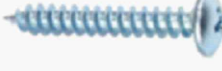

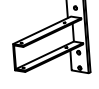

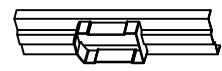



Main Components



code	name	section	photo
A	Wall tube		
B	Side beam		
C	Middle beam		
D	Small bracket		
E	R shape gutter		
F	hard rubber strip		
G	PC sheet		
H	Aluminum downpipe		
I	Main beam		

HARDWARE

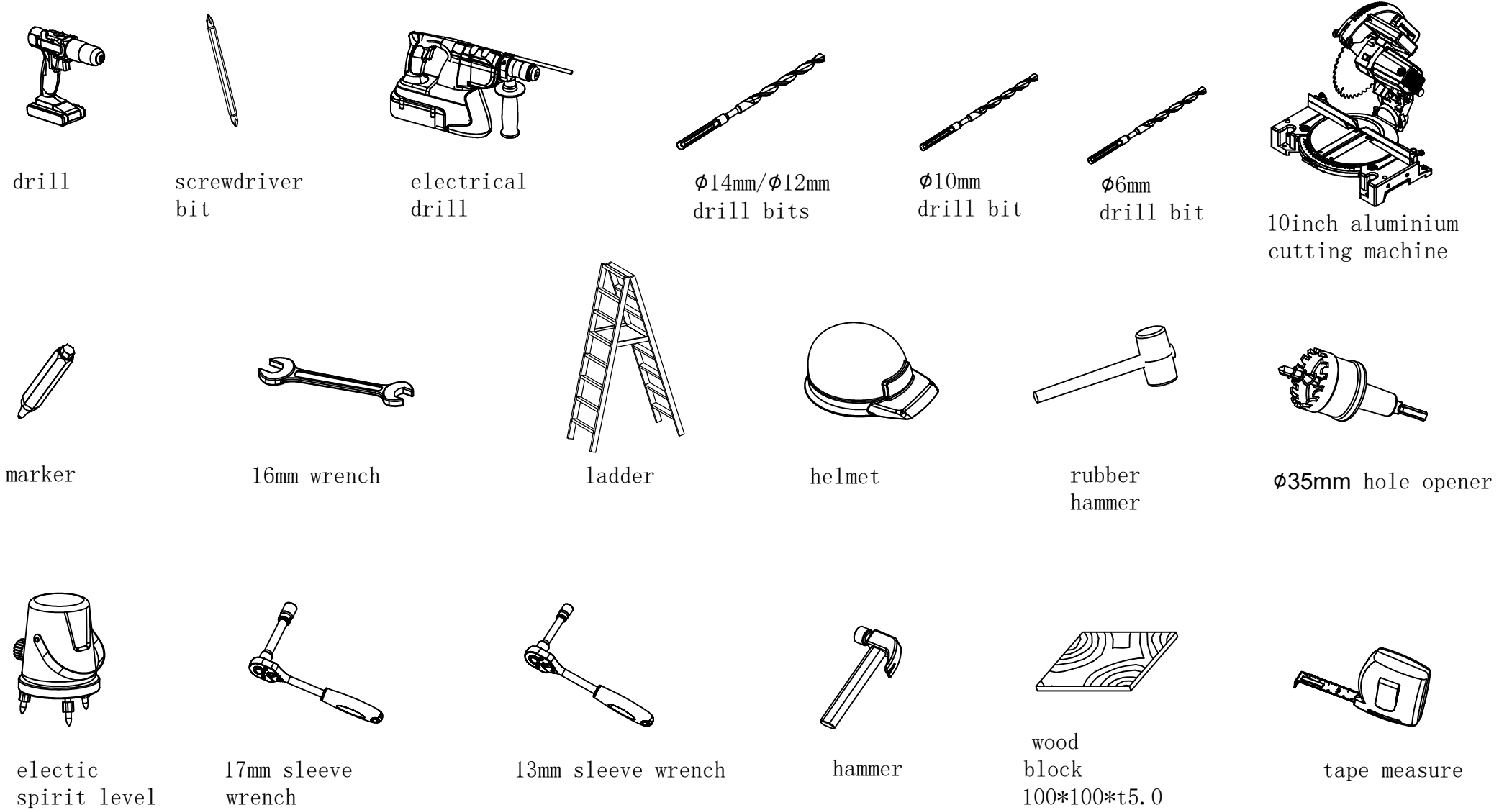
code	name	photo
1	wall tube cap	
2	R gutter cap	
3	12*75expansion plug	
4	M8*90 wood screw	
5	SUS cross tapping screw 4.2*16	
6	SUS hex screw M8*16	
7	M8 cap	
8	gutter connect plate	
9	base plate	
10	soft downpipe gasket	
11	T connector	
12	downpipe connector	
13	downpipe holder	
14	clamp	

code	name	photo
15	elbow	
16	SUS drilling screw 4.2*16	
17	M6 expansion plug	
18	cross tapping screw M4*30	
19	drilling screw 4.2*25	
20	T junction	
21	main beam cap(front)	
22	main beam cap(back)	
23	Munction cover	
24	14*75 expansion plug	
25	M10*100 wood screw	

Note: The silicone sealant is not offered ,you should purchase it in local

Tips: Please prepare the preceding installation tools by yourself.

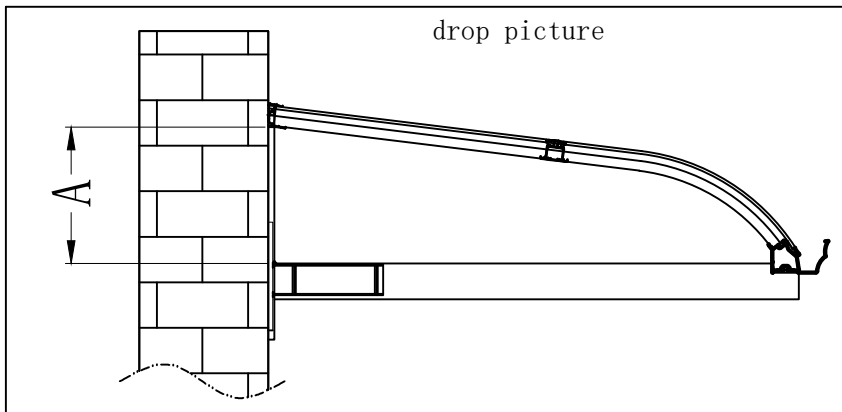
# WHAT YOU NEED



# INSTALLATION

## Step 1: Fix the wall tube

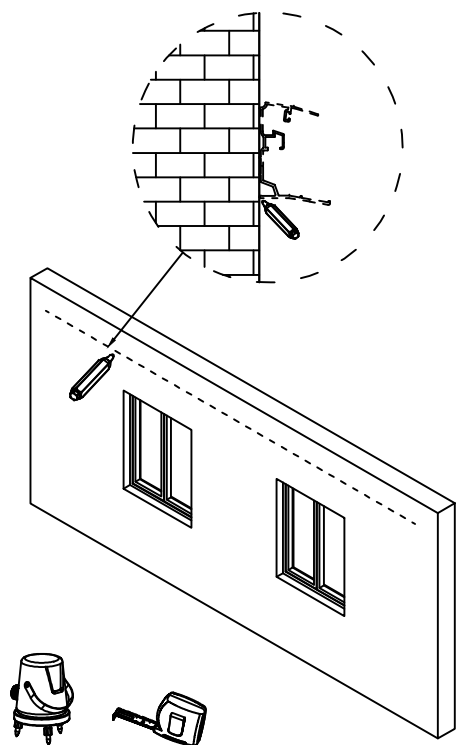
1、please check the drop .The drop is the distance between the eaves and the steel lining, so as to judge whether there is enough space on site to install this product



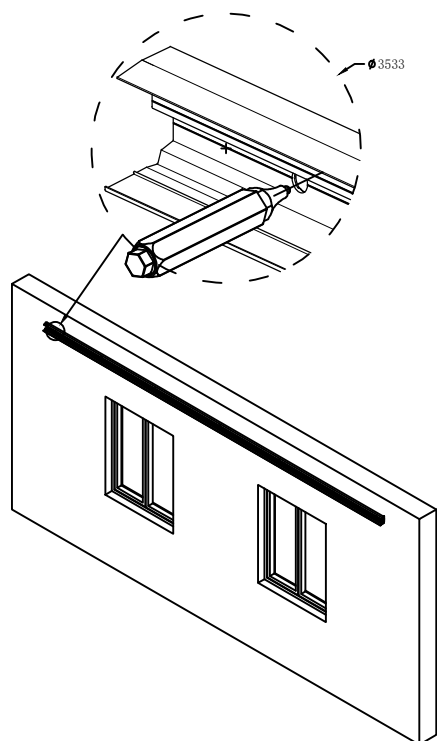
⚠ tip:  
Ensure has enough space to install the products

## 2、Sign the wall tube position when the drop height is confirmed

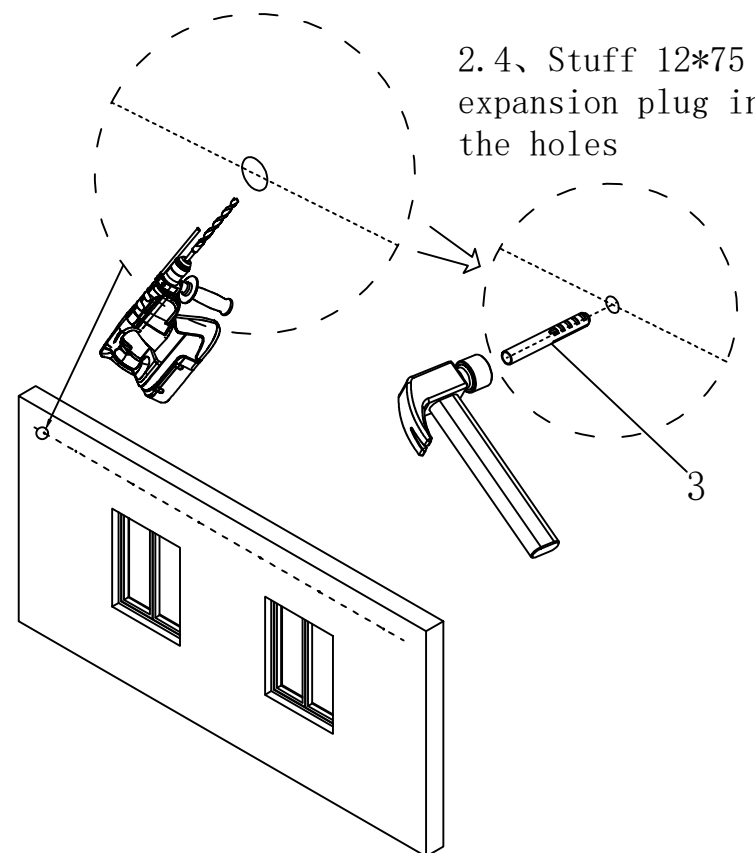
2.1、Take use of electric spirit level and tape to confirm the wall tube position and mark a sign.



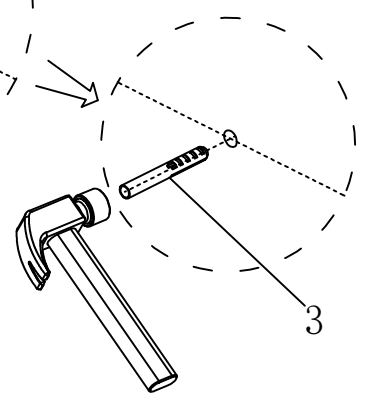
2.2、Mark the drill hole on the wall through wall tube pre-drilled holes



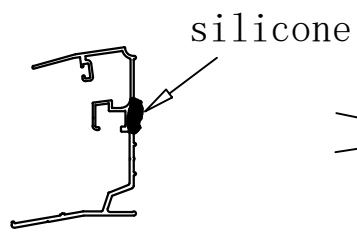
2.3、Take use of electric driller to drill Ø12mm holes on the wall



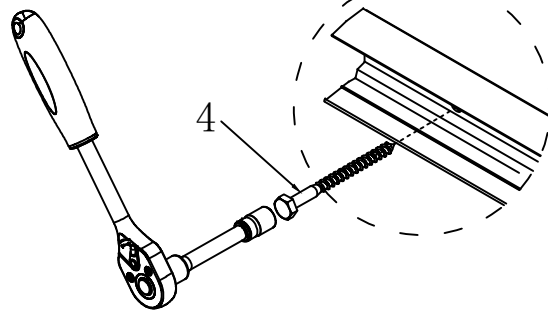
2.4、Stuff 12\*75 expansion plug into the holes



2.5. Fix the wall tube

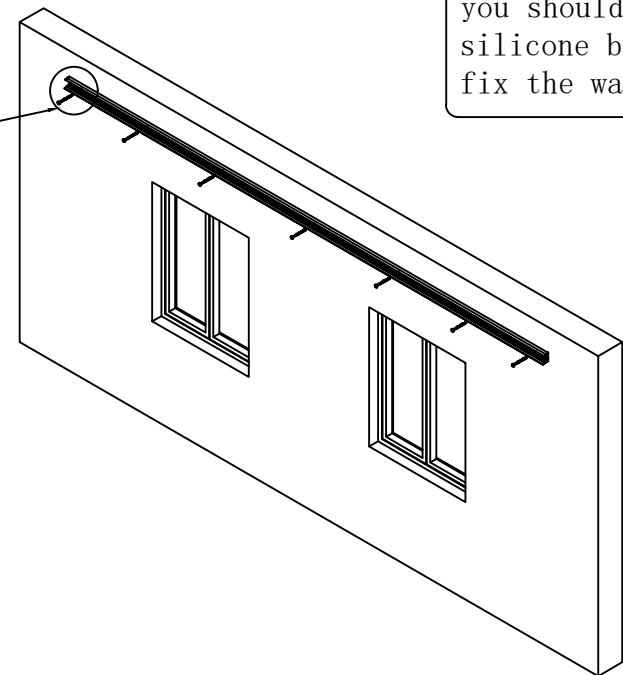


You should spread silicone sealant on the back of wall tube before you fix it



take use of sleeve to fix the screw

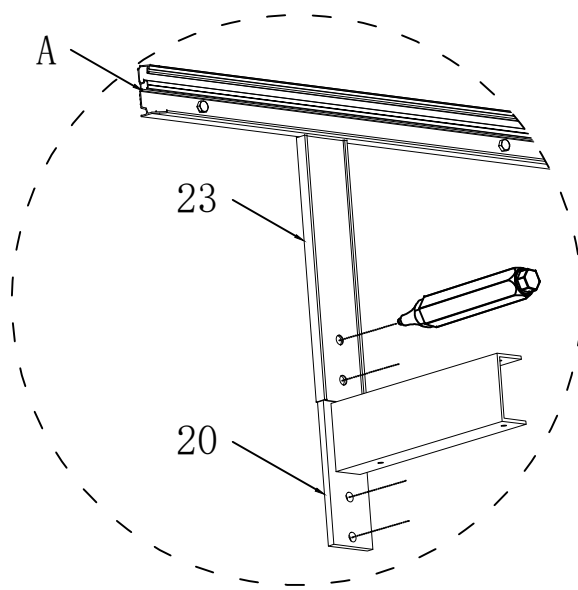
⚠ tip:  
you should spread silicone before you fix the wall tube



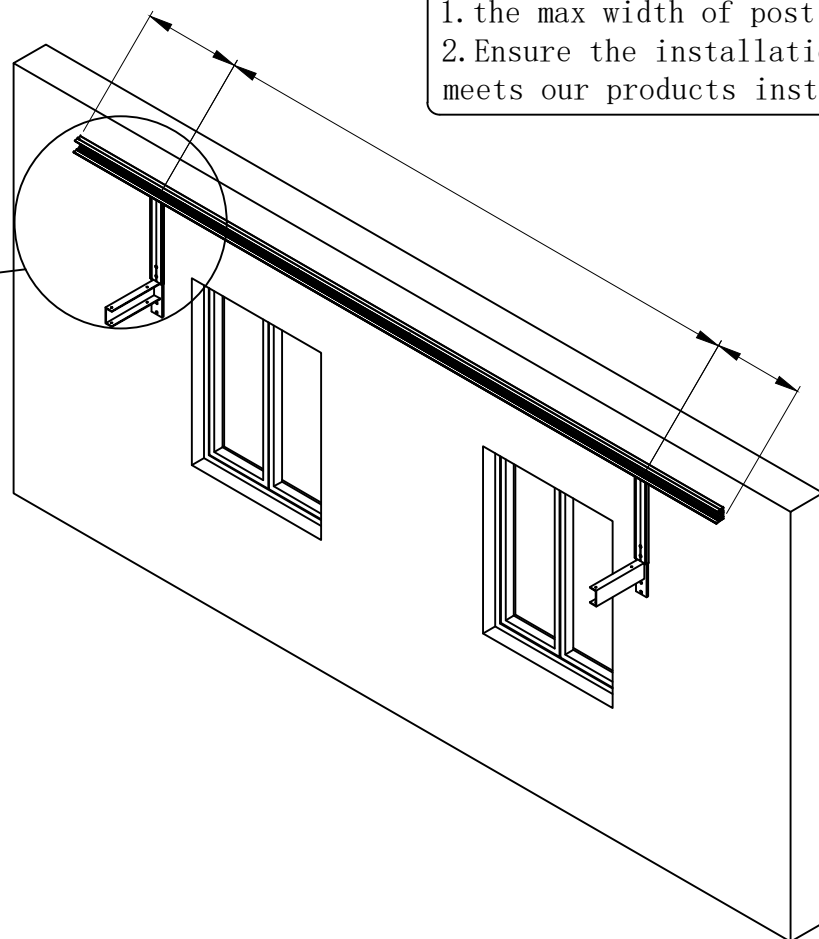
Step 2: Install the main tube

(You can adjust the main tube gap as your request ,but the max distance is 4 meters and the distance between wall tube end and main beam should be within 1.2 meters

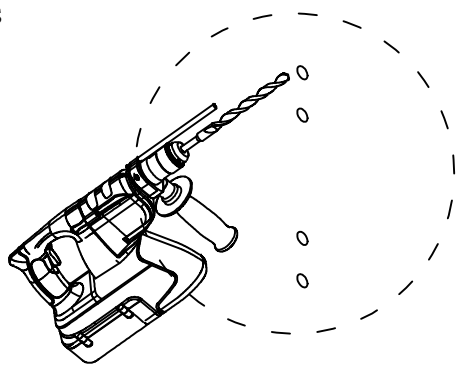
2.1 Install the slope cover and insert the T junction into the cover then mark the screw holes on the wall



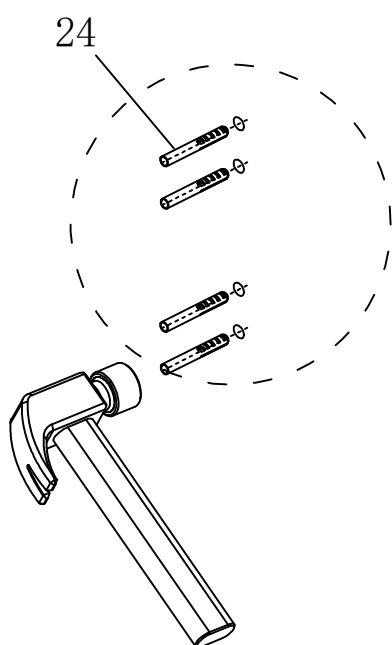
⚠ Note:  
1. the max width of post gap is 4 meters  
2. Ensure the installation condition meets our products installation request



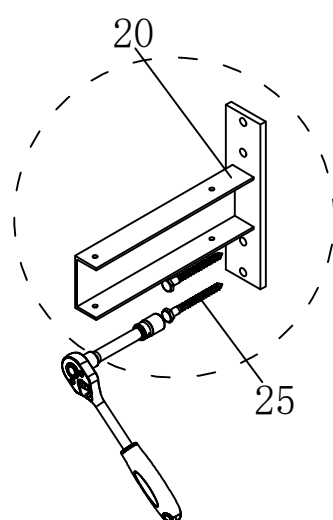
2.2. Take use of electric driller to drill  $\phi 14\text{mm}$  holes



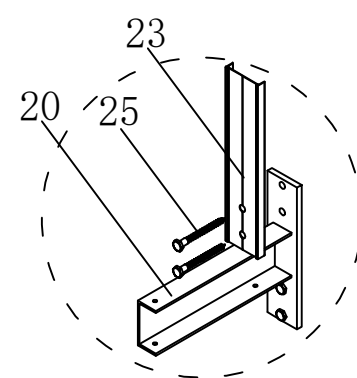
2.3. Stuff the expansion plug into the holes



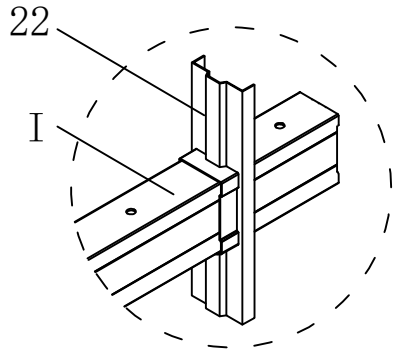
2.4. Fasten the T junction by wood screw



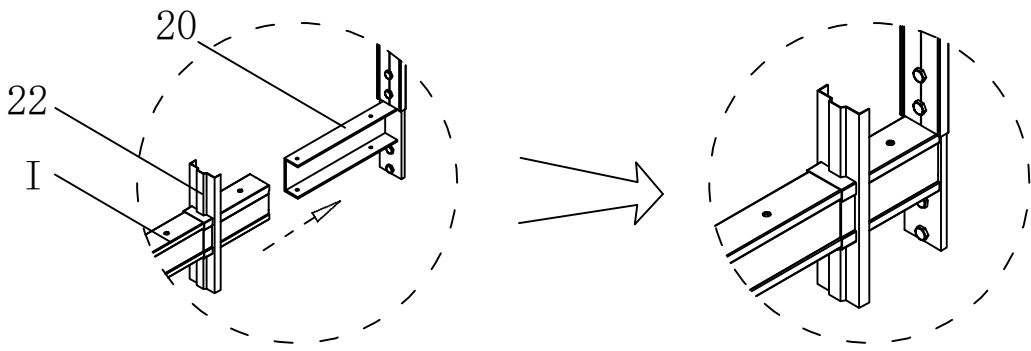
2.5. Fasten the T junction and slope cover on the wall



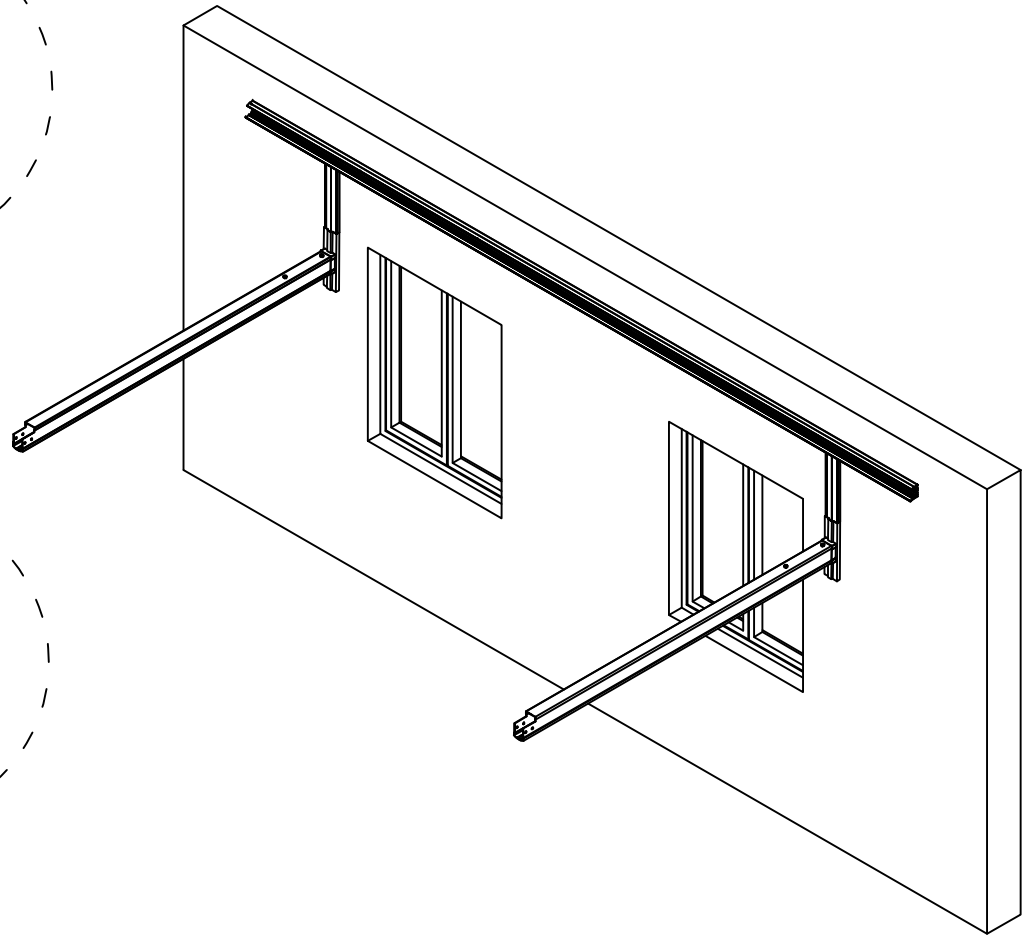
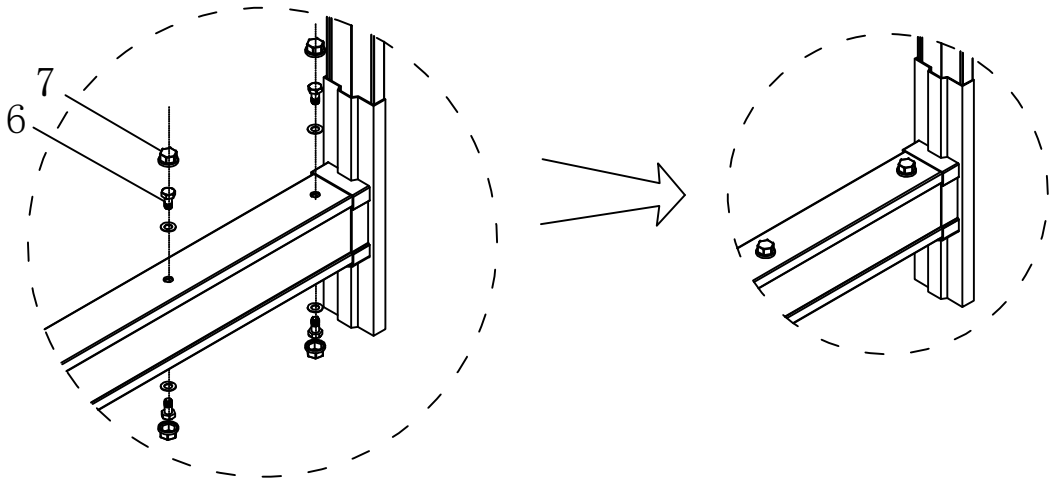
2.6. Install the main beam cover (back )



2.7. Insert the T junction into the main beam

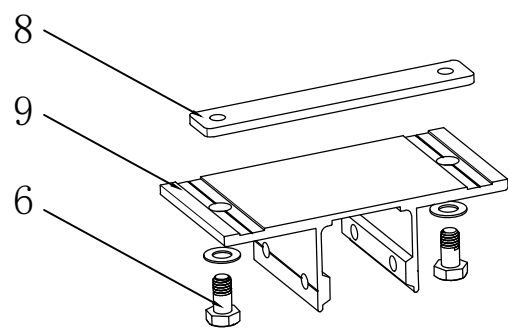


2.8. Fasten the main beam with T junction

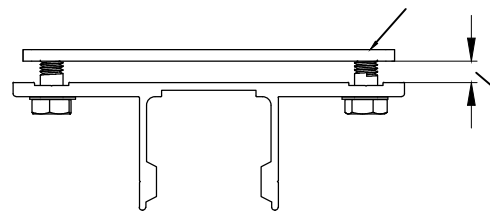


### Step 3: Install the R shape gutter

3.1. Connect the R gutter by junction (ignore this step if your gutter is a whole piece)

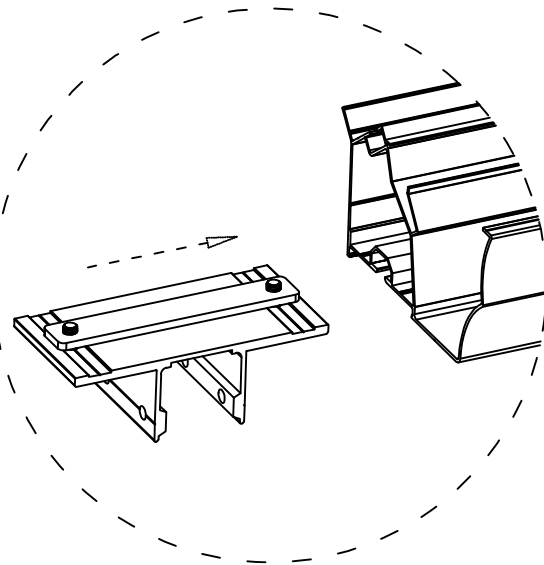


Keep the screw loosen ,which is helpful for connect the gutter

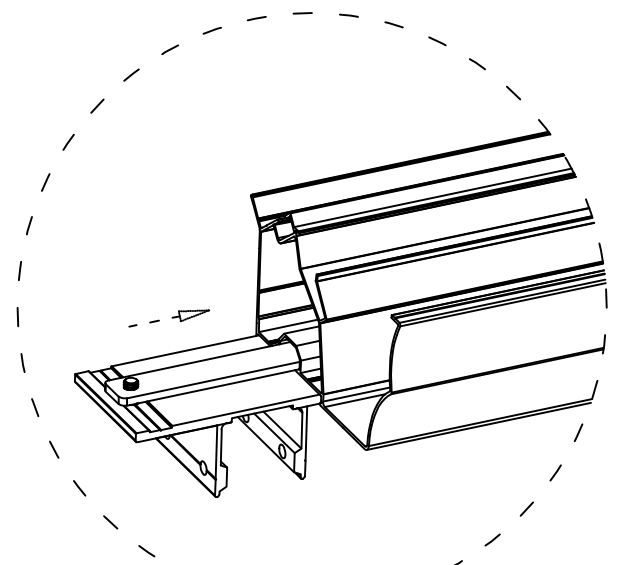


⚠ Tip: should keep the screw loosen

3.2. Assemble the gutter connect plate and connector

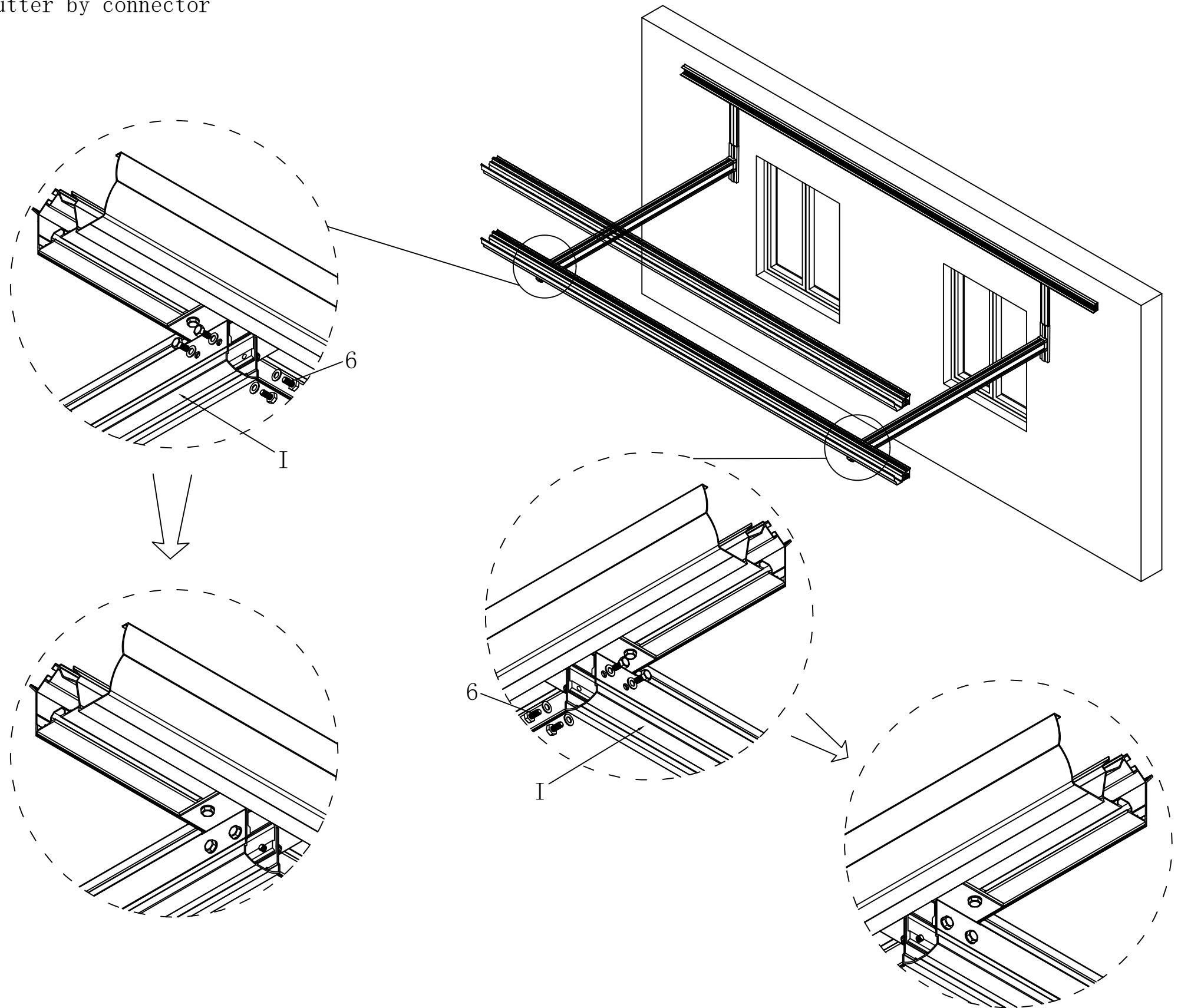


3.2-1. Connect the gutter with main beam



3.2-2. The connector number is equal to main beam number

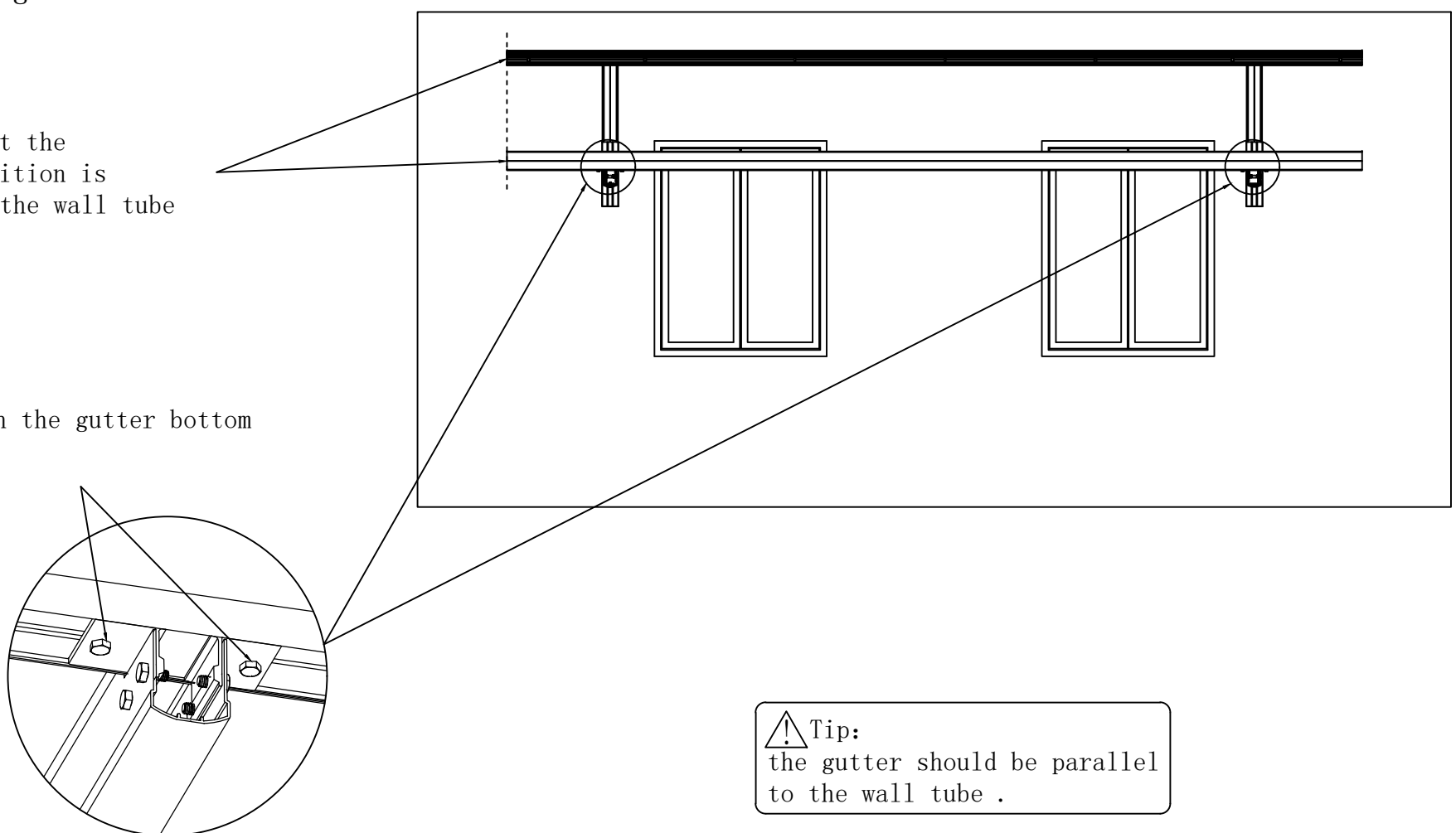
3.2-3、Fasten each main beam with gutter by connector



3.5、Fix the gutter

3.5-1、Adjust the gutter's position is parallel to the wall tube

3.5-2、Fasten the gutter bottom screw tight

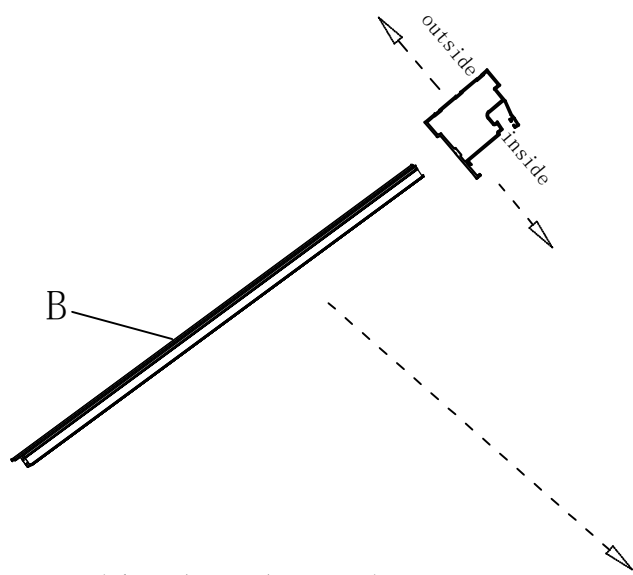


⚠ Tip:  
the gutter should be parallel  
to the wall tube .

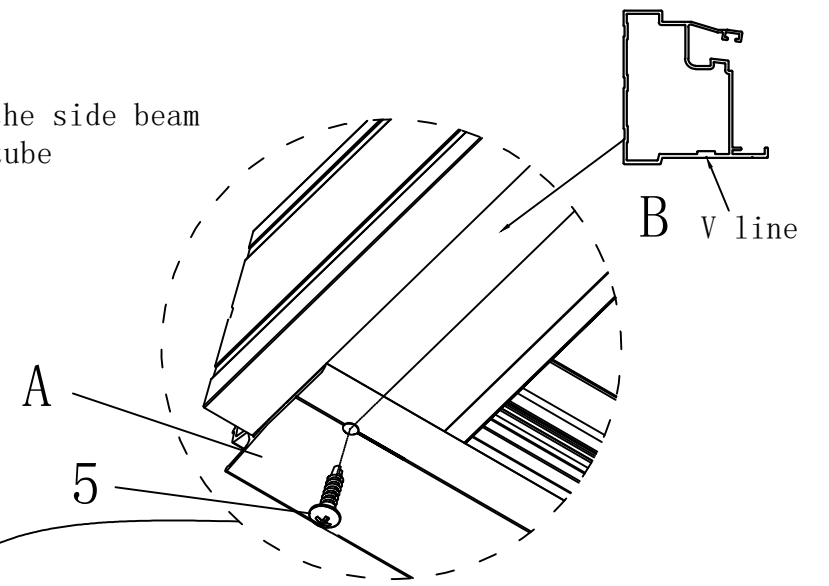


Step 4: Install the side beam

4.1. The complanate side is outside

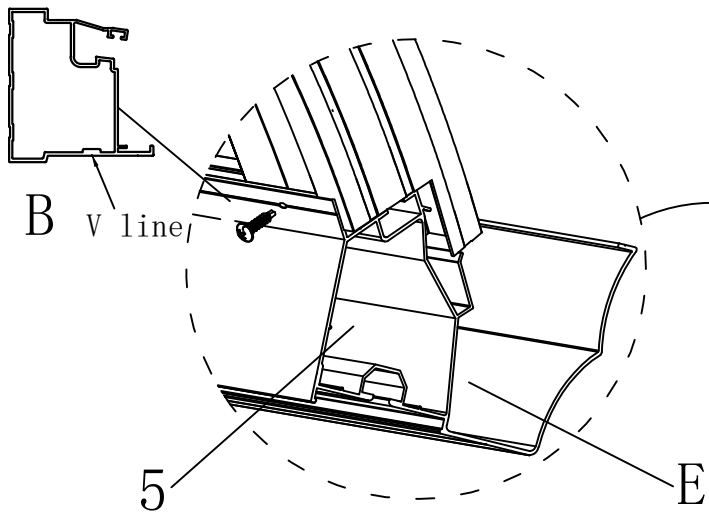


4.2. Assemble the side beam with the wall tube

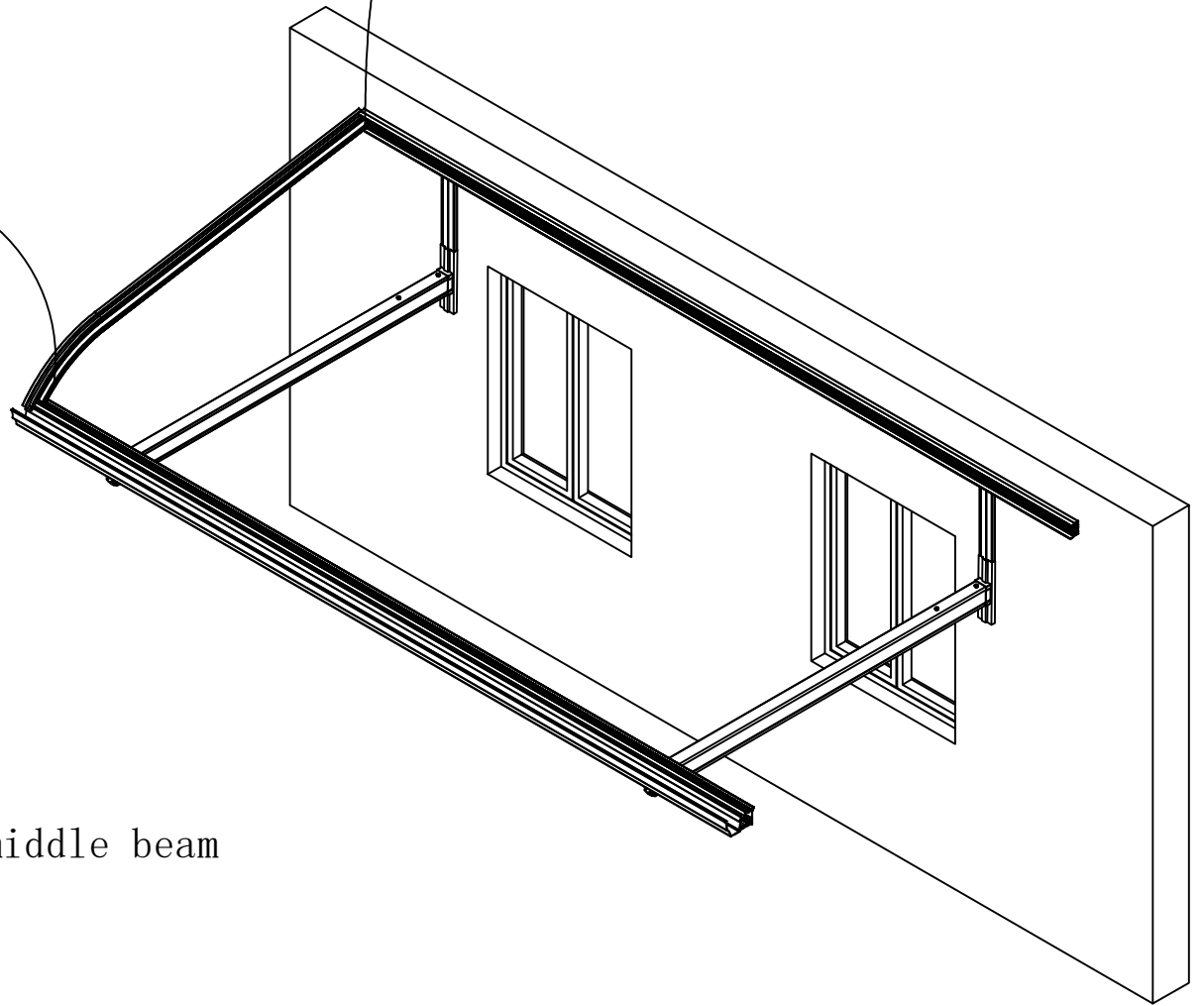


Screw it at the intersterction of V line and screw hole

4.3. Assemble the other side of side beam with gutter

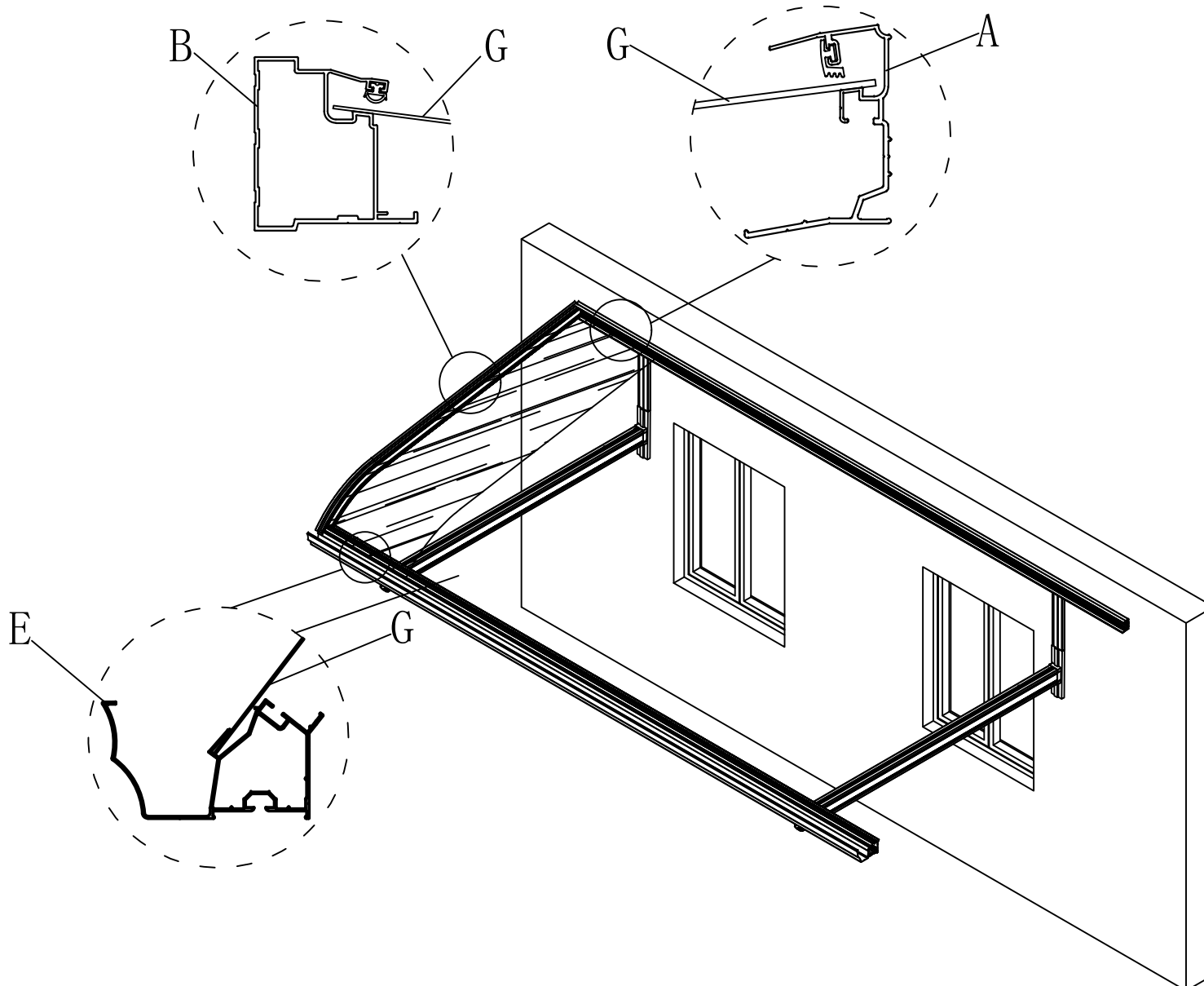


Screw it at the intersterction of V line and screw hole



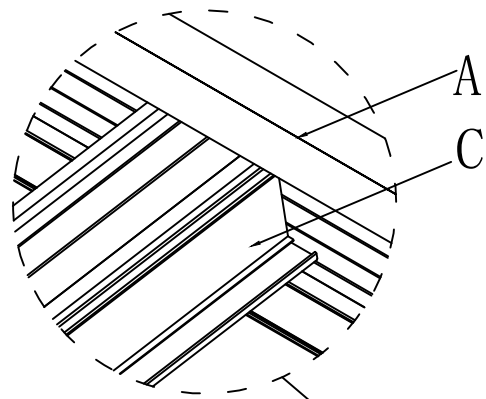
Step 5: Install the PC sheets and middle beam

5.1. Insert the PC sheet into the groove of side beam gutter and middle beam

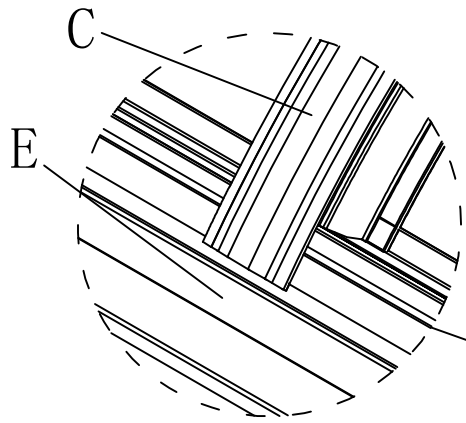


5.2 Install middle beam

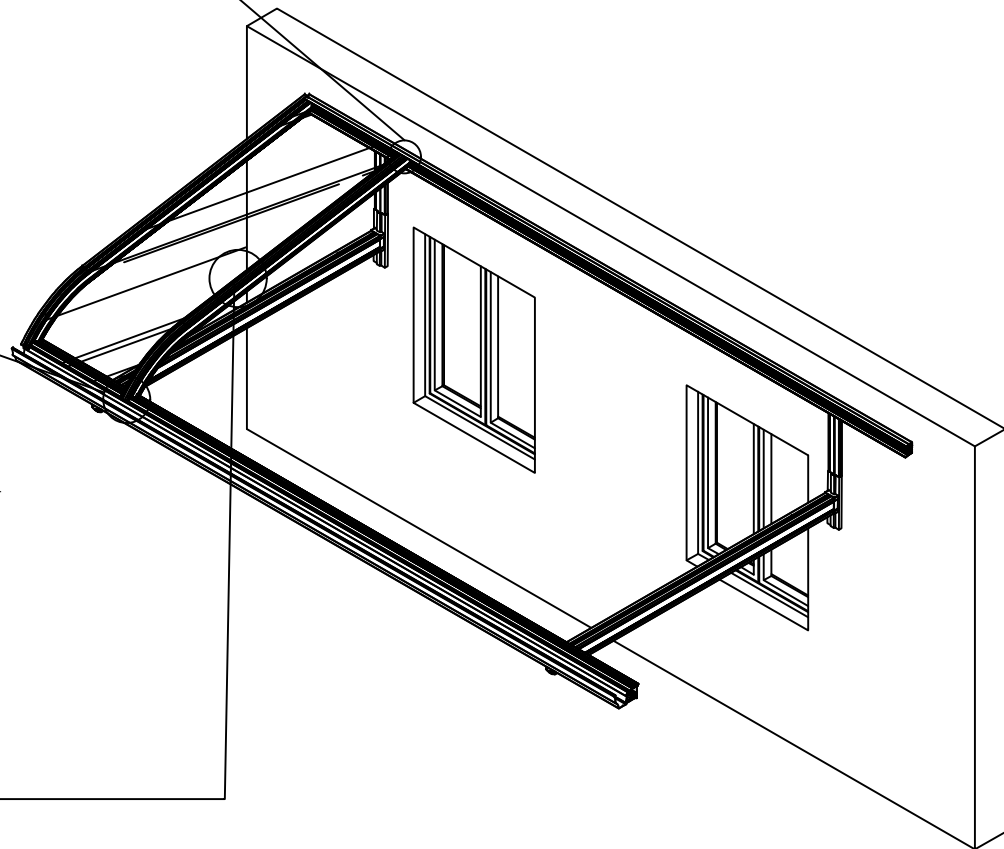
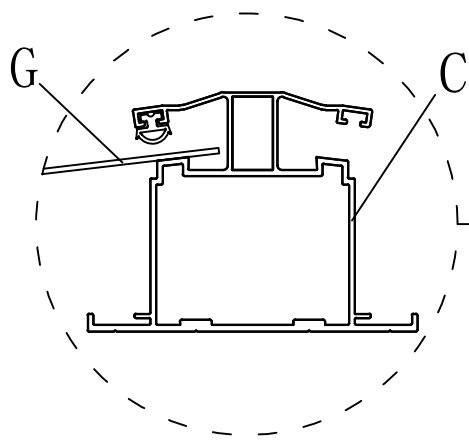
5.2-1 Assemble the middle beam with wall tube



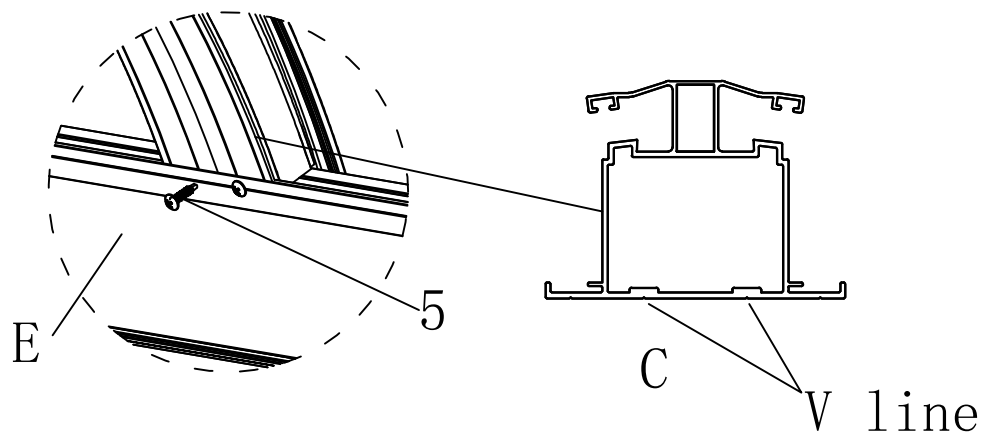
5.2-2 Assemble the middle beam with gutter



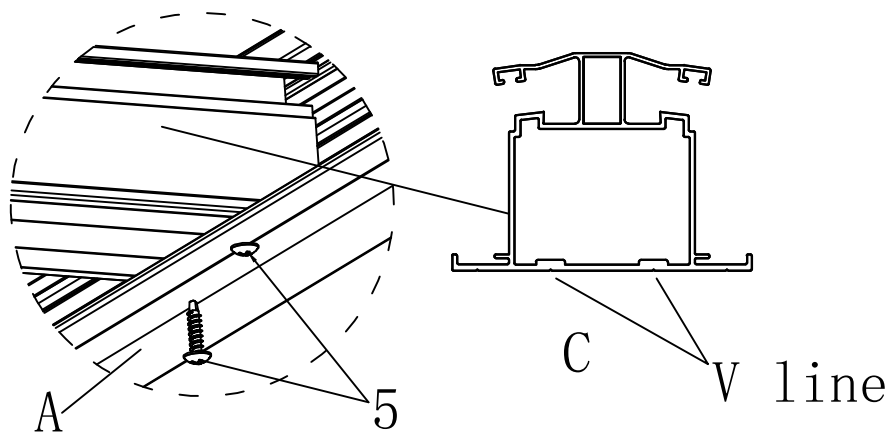
5.2-3 Move the other middle beam to be parallel to the first one



5.2-4 Adjust the middle beam position and screw it at the intersection of V line and pre-drilled holes



5.2-5 Adjust the middle beam position and screw it with gutter at the intersection of V line and pre-drilled holes



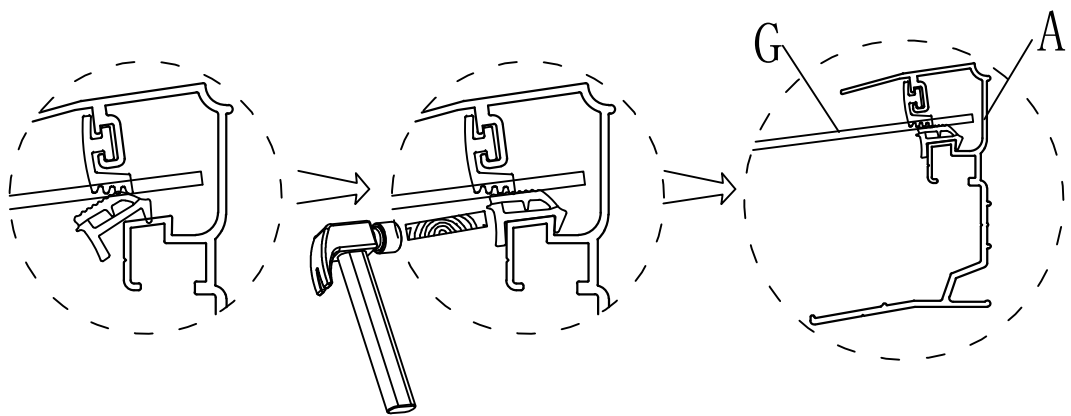
5.3 Install the remain PC sheets as previous steps

5.4 Install the other side beam as previous step

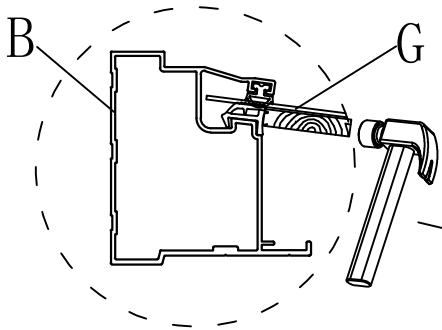
5.5 Install the hard rubber strip

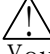
5.5-1 Cut the hard rubber strip as your request

5.5-2 Take use of hammer and wood plate to knock the hard rubber strip into the gap of PC sheet

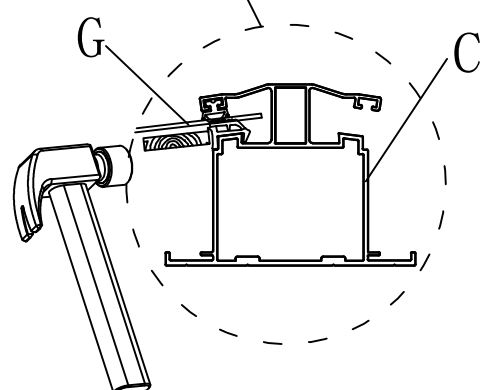
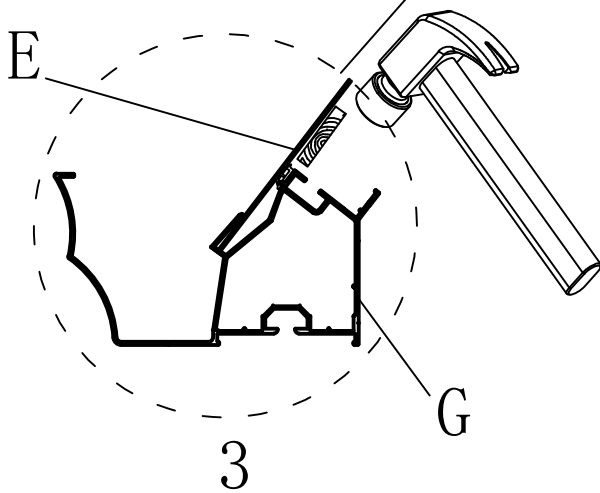


5.5-3 Install the remain hard rubber strip

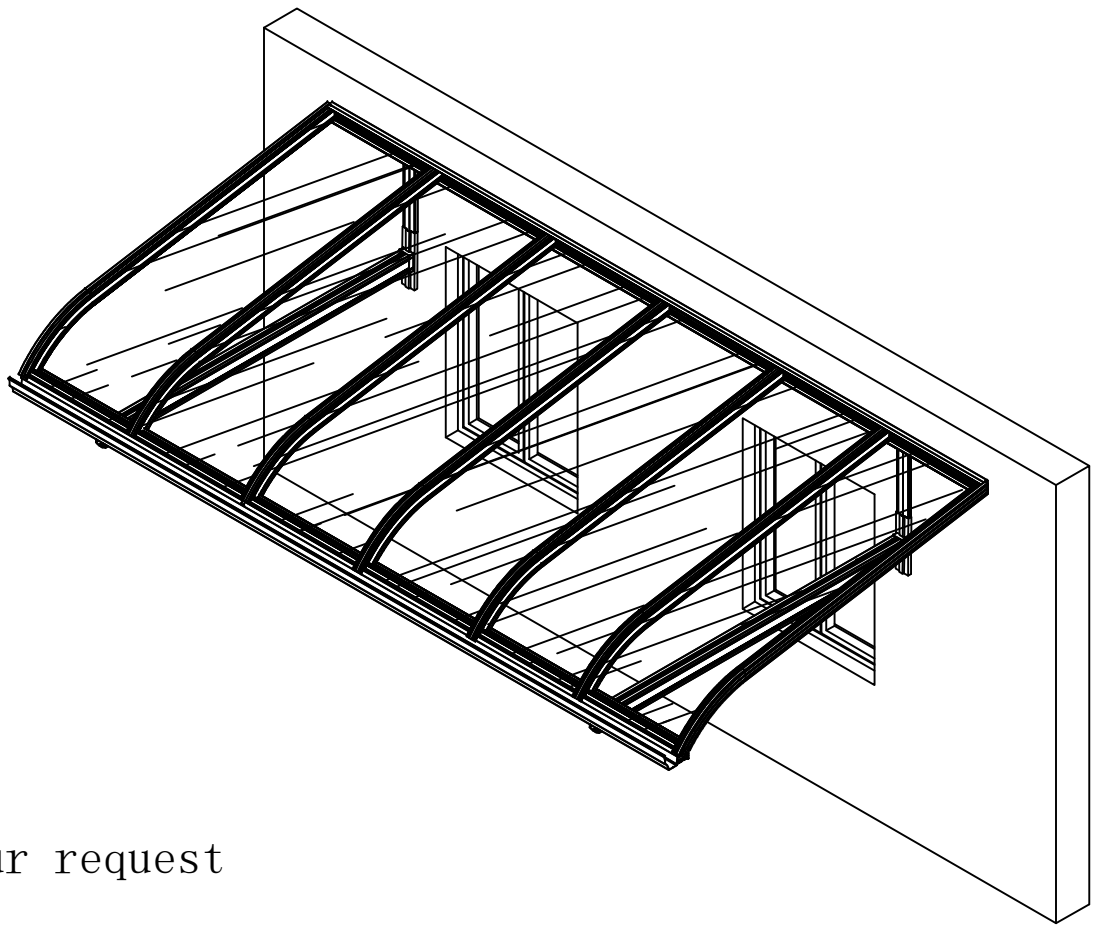


 Tip:  
You should keep the hard rubber strip is into the gap and won't loosen during using ,or it will cause water leak

5.5-4 Do same hard rubber strip installation at the gutter



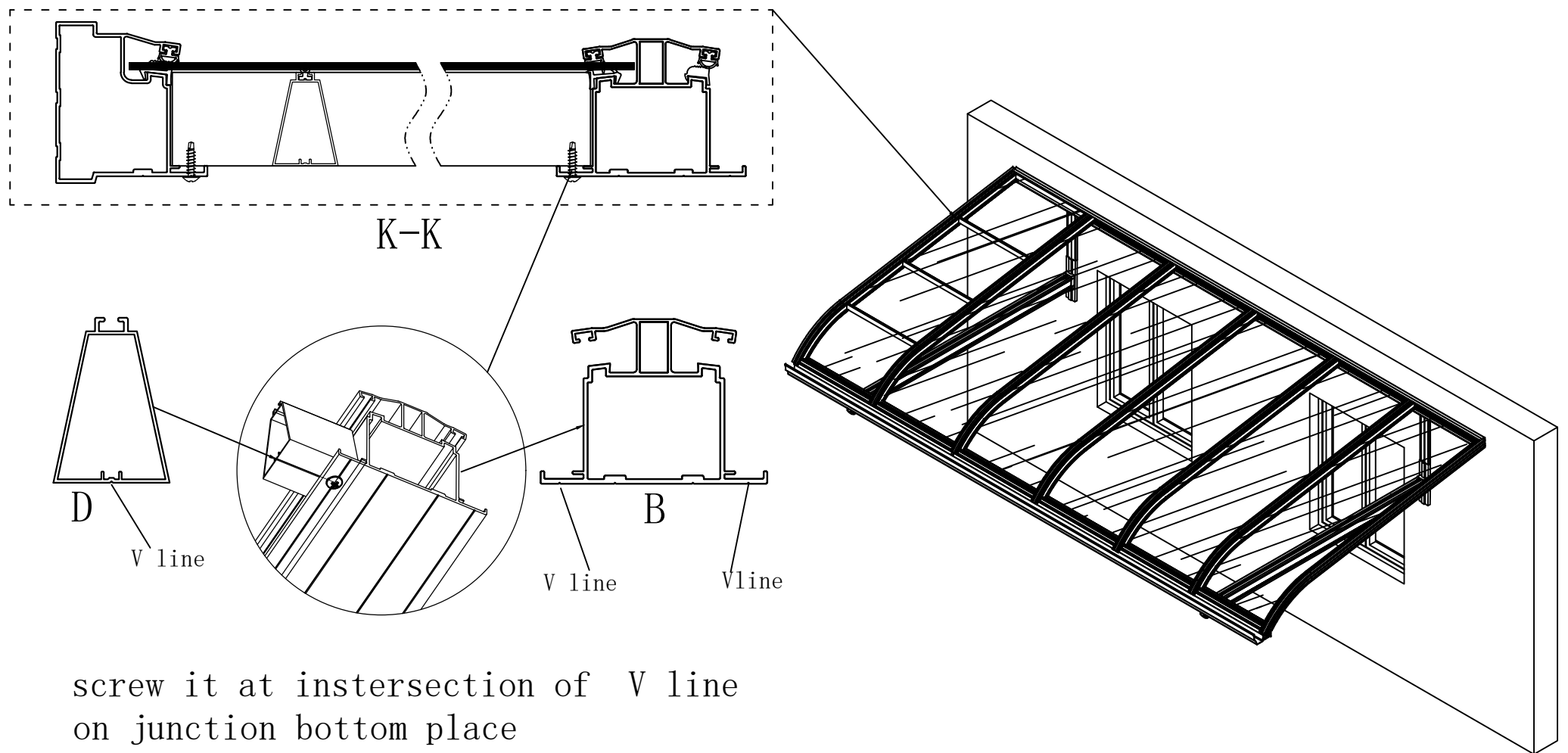
5.5-5 Do same hard rubber strip installation at the middle beam



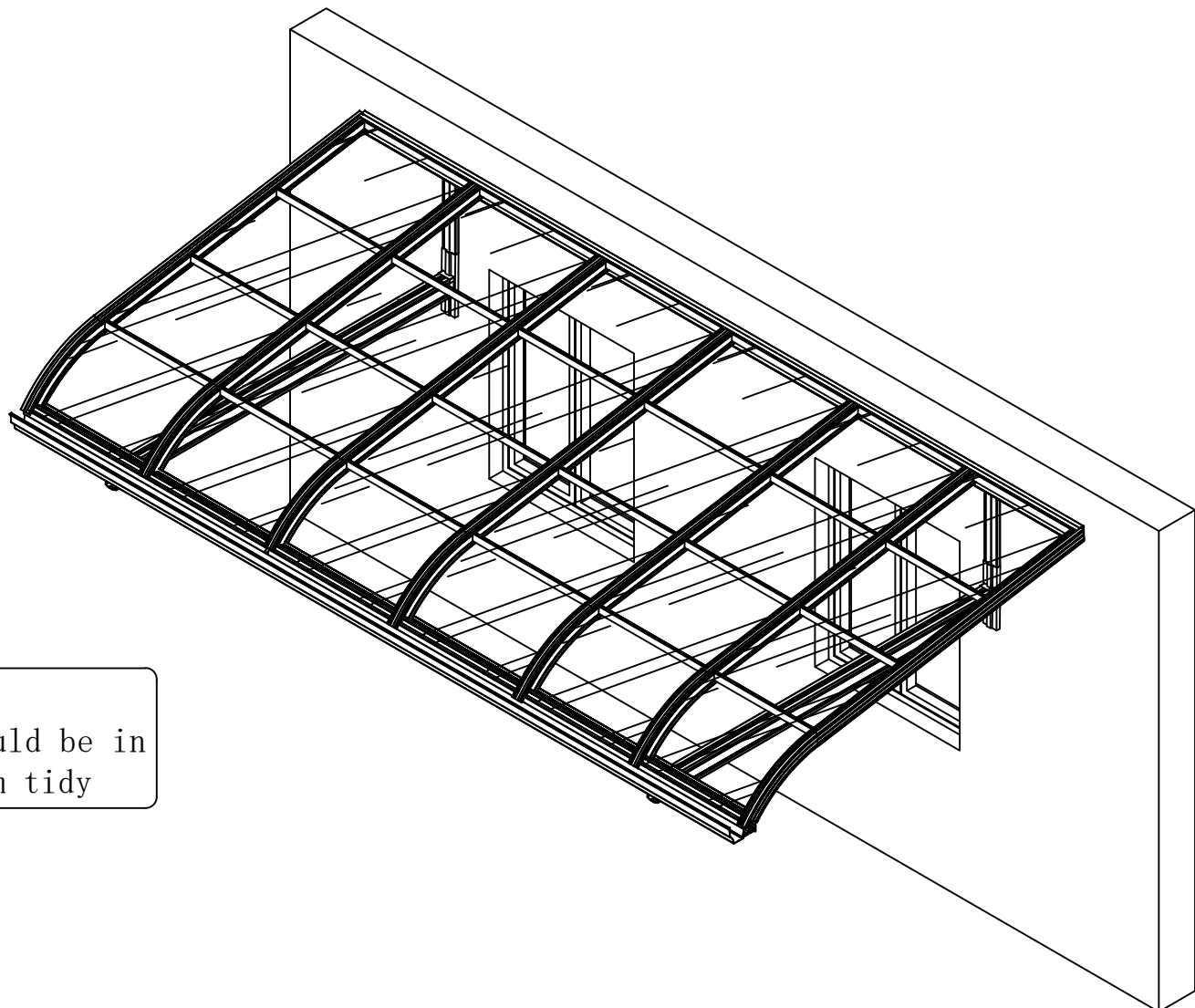
## Step 6: Install small brackets

6.1 Take out all small brackets ,each piece size is between 500mm-600mm, you should recognize its and align at its place

6.2、 Adjust the small brackets' position and fix it on middle beam and wall tube



6.3、 Install the remain small brackets and be parallel to the first one

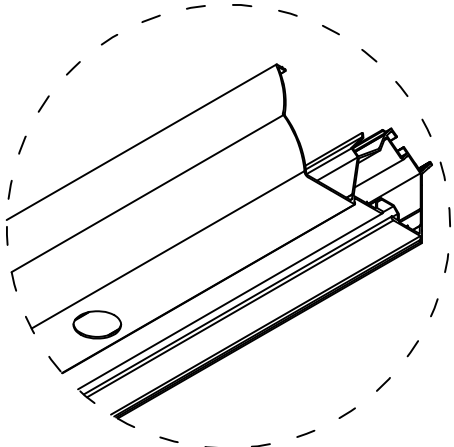


⚠ Tip:  
The small brackets should be in same level to keep them tidy

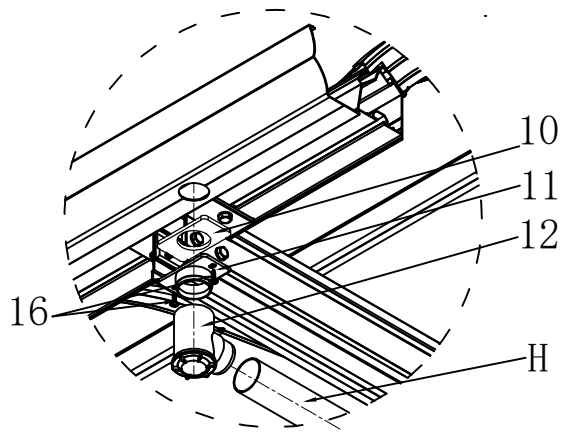
### Step 7: Install the aluminum downpipe

You can cut the downpipe as your request

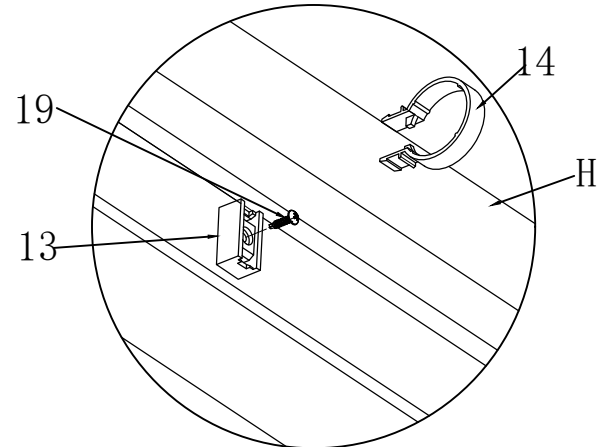
7.1、Open a hole  $\phi 35\text{mm}-38\text{mm}$



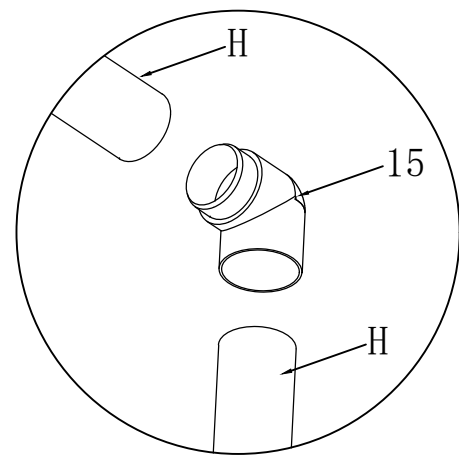
7.2、Install the downpipe connector



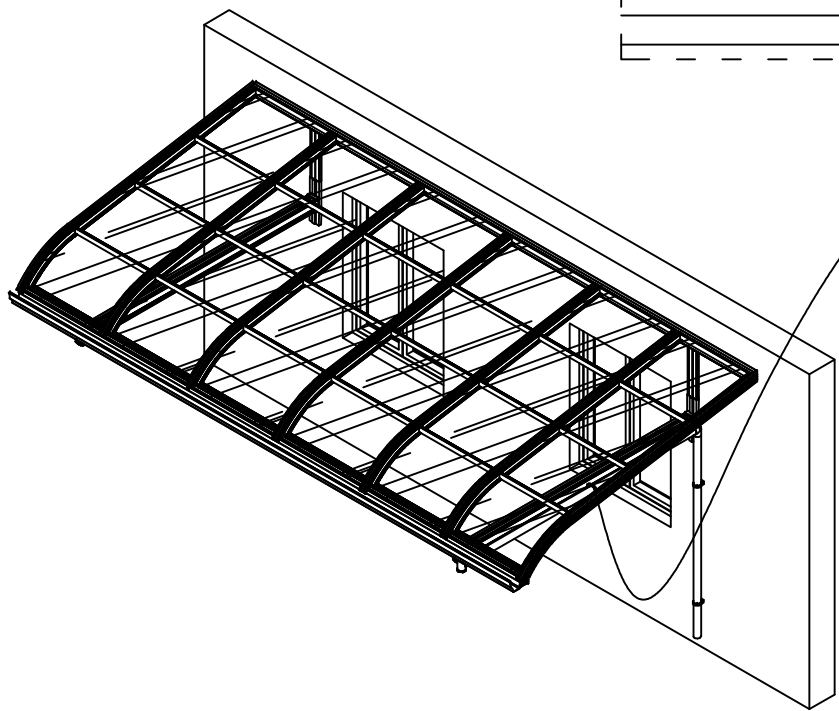
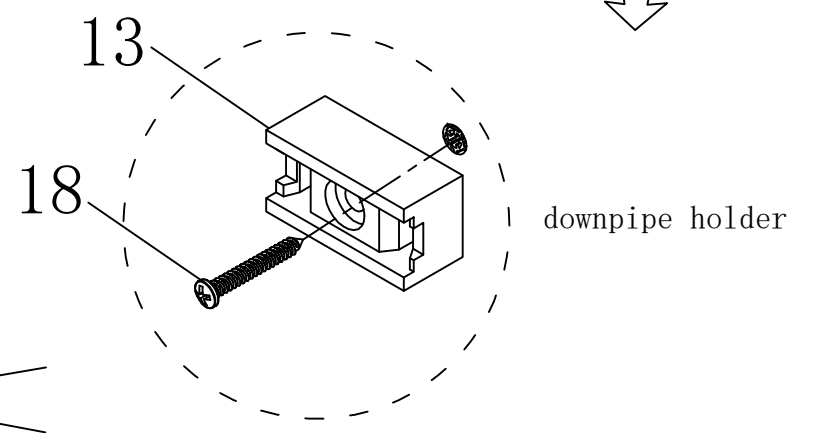
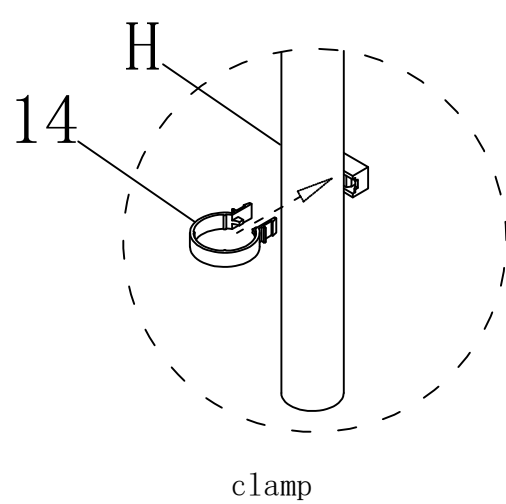
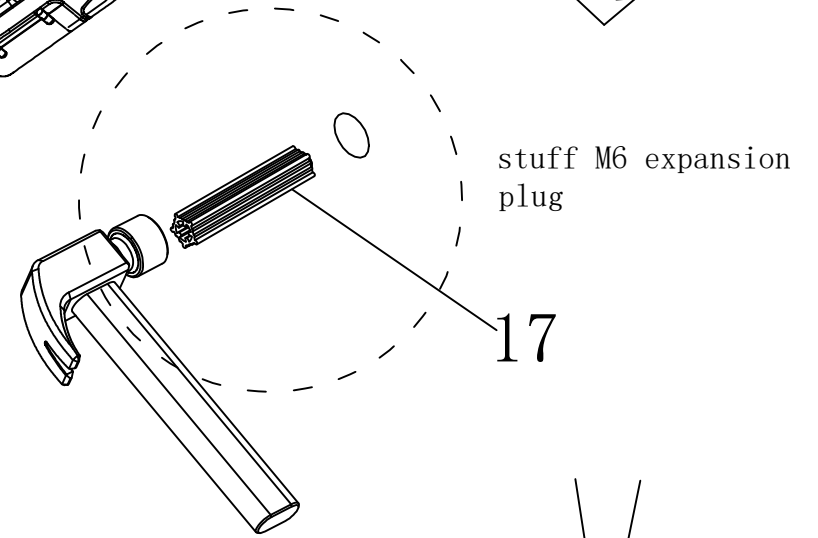
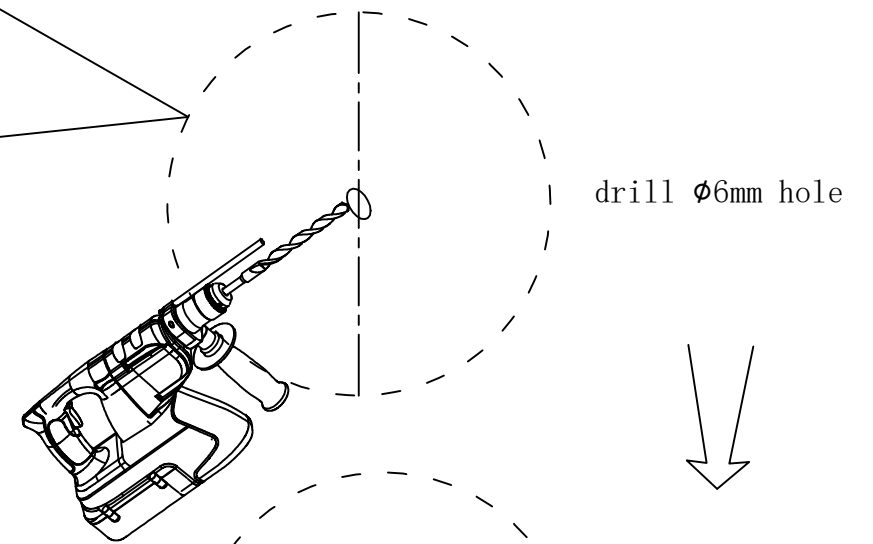
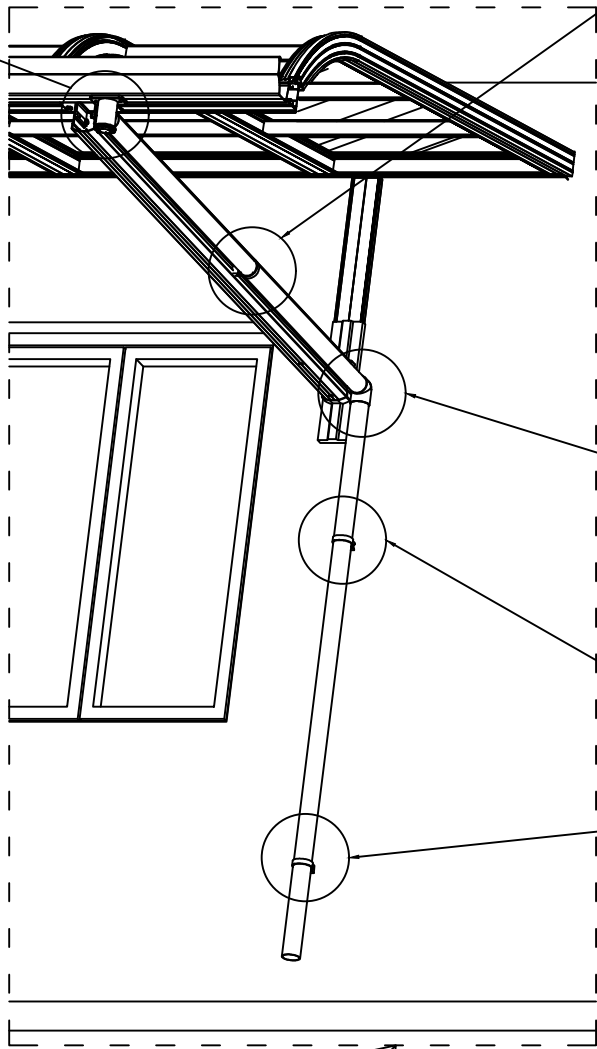
7.3 Install the downpipe holder and clamp



7.4、Elbow as showed



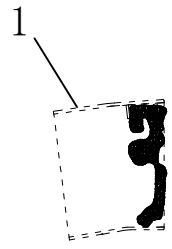
7.5 Fix the downpipe on the wall



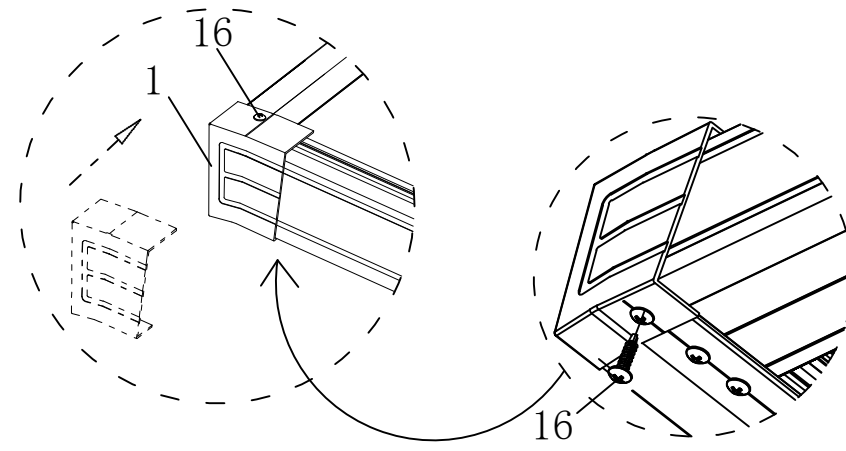
Step 8: Install the caps and do silicone sealed work

8.1、Install the wall tube end cap

8.1-1、Spread the silicone on wall tube section

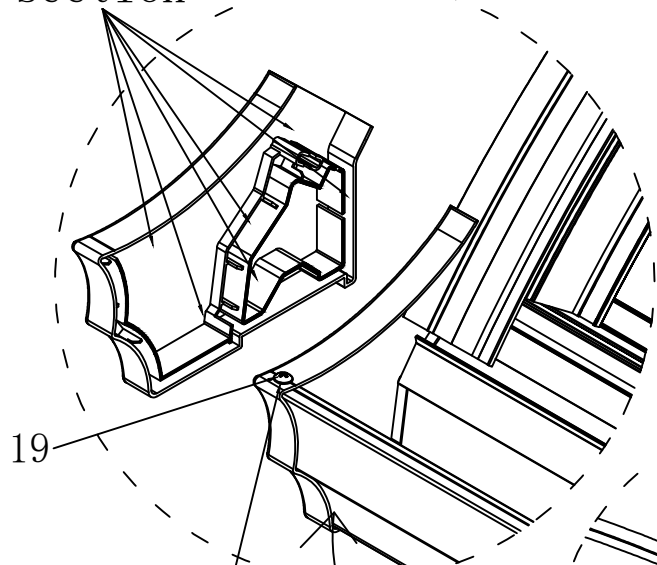


8.1-2、screw it

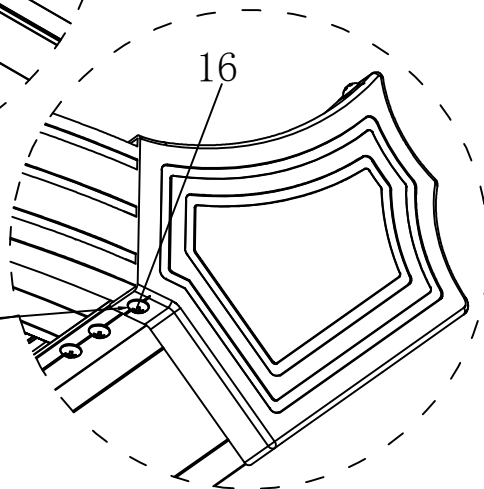


8.2、Install the gutter cover

8.2-1、Spread silicone on gutter profile section

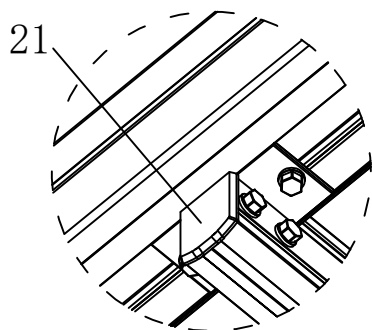


8.2-2、screw it

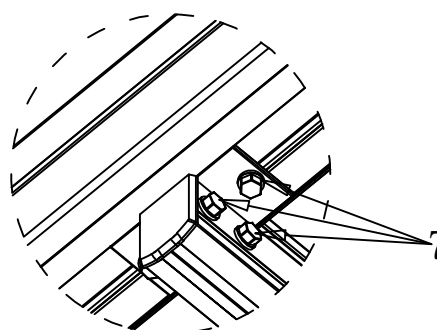


⚠ Tips:  
All gap should be spread silicone

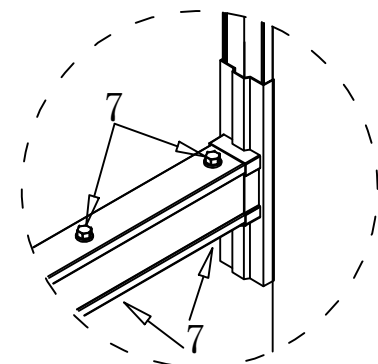
8.3、cap it



8.3-1、main beam cap

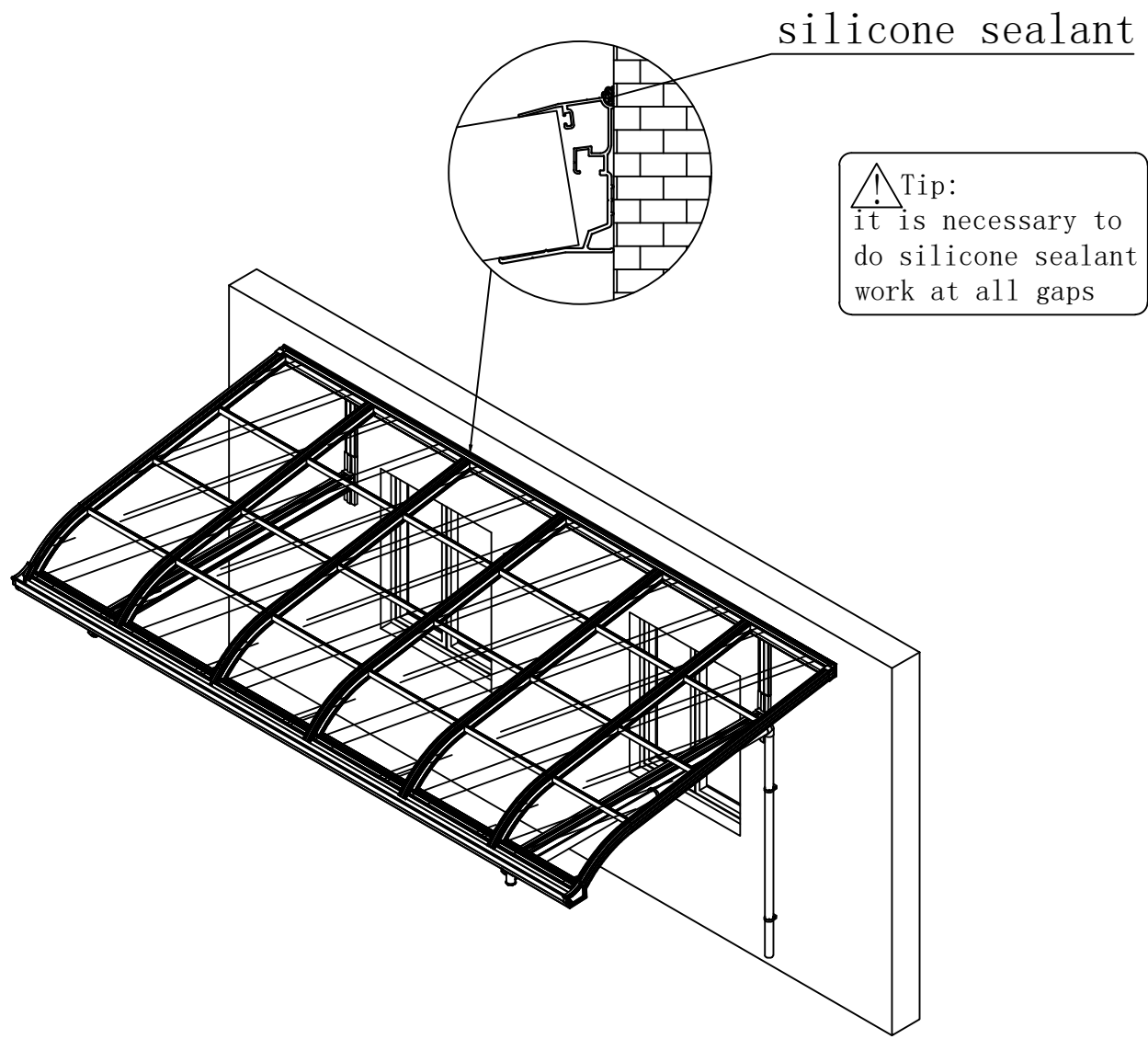


8.3-2、M8 cap



8.3-3、M8 cap

8.4、 Do silicone sealed work



COMPLETE