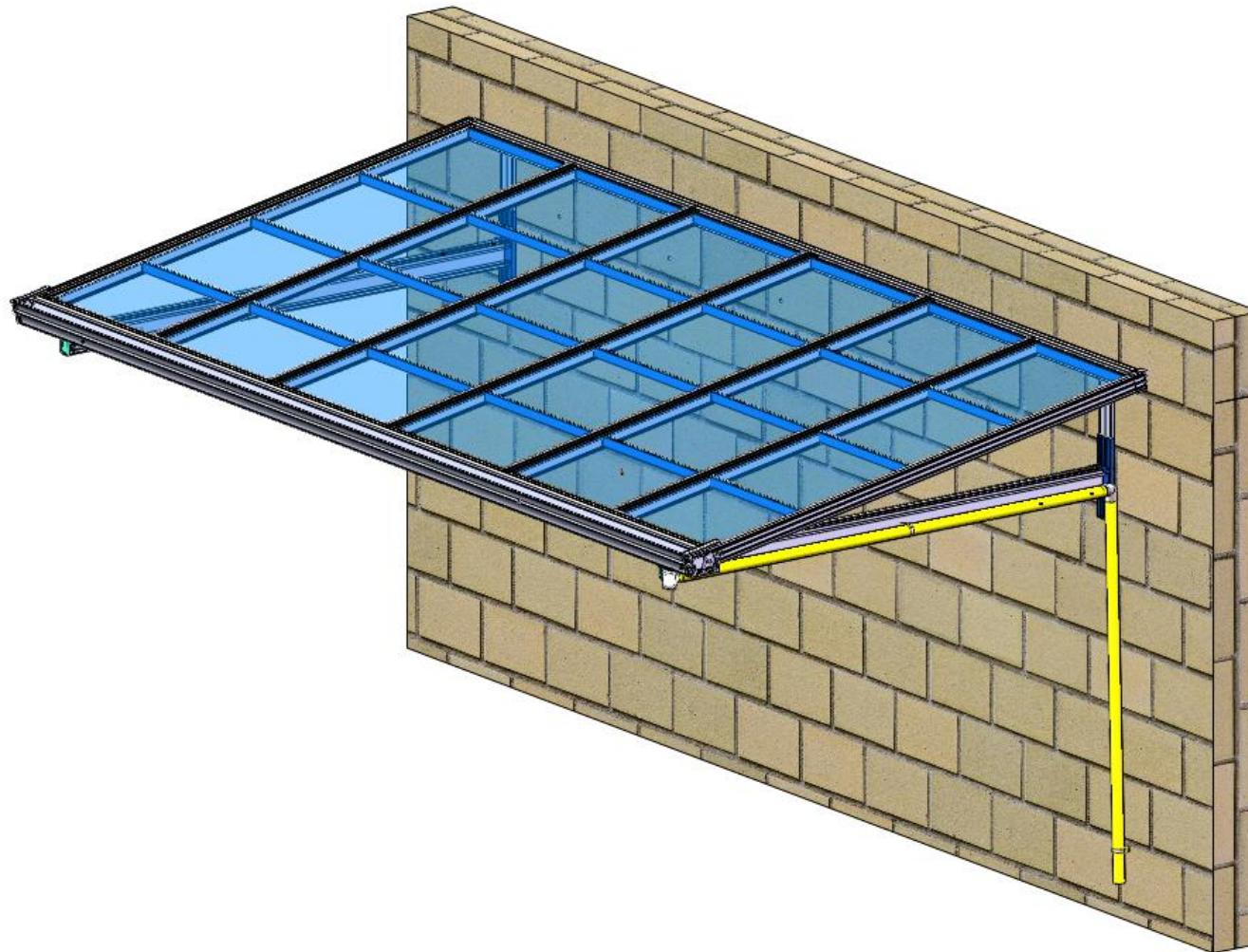




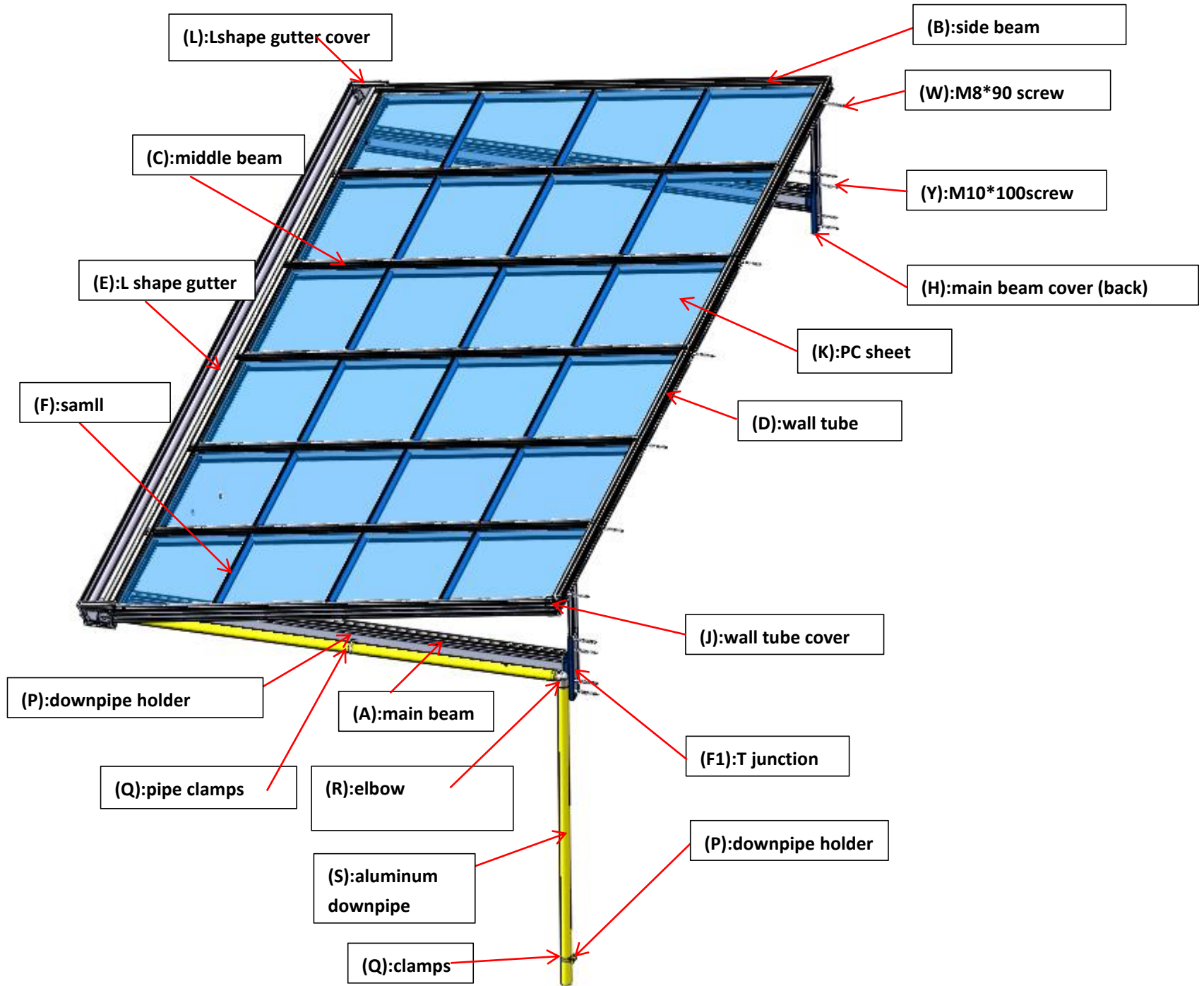
LIVING CULTURE

City Window / Door Awning Canopy Installation Instruction

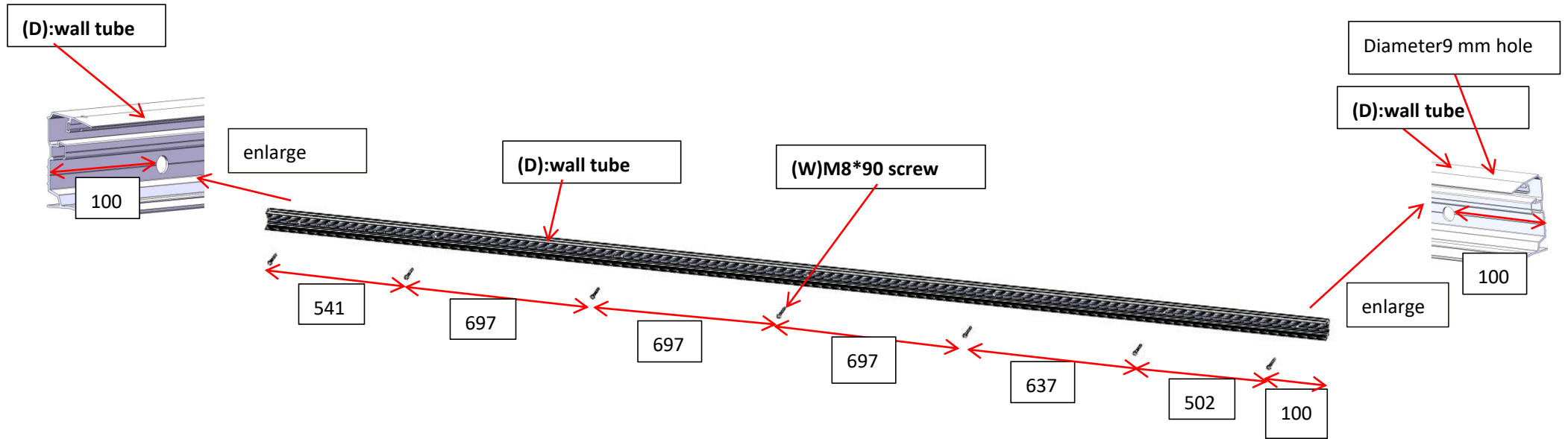


Item list (Window canopy:4M*2M)

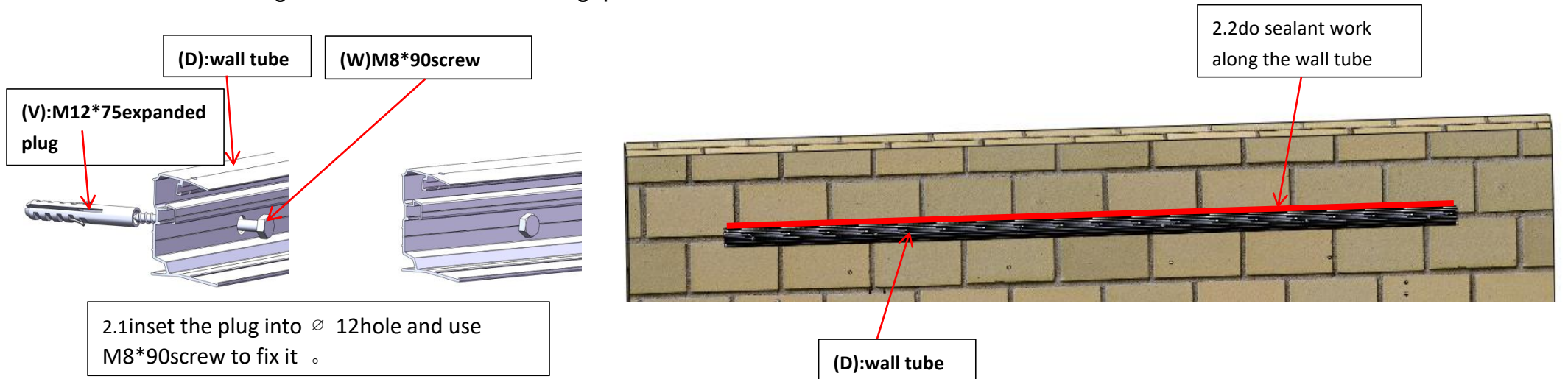
code	Photo	Item name	Quantity	code	Photo	Item name	Quantity	Item code	Photo	Item name	Quantity
A		Main beam	2	L		L shape gutter cover	2	W		M8*90 wood screw	7
B		Side beam	2	M		Downpipe connector	1	X		14*75 expanded plug	12
C		Middle beam	5	N		T connector	1	Y		M10*100 screw	12
D		Wall tube	1	O		Water Tube Soft Glue Cushion	1	Z		M6expansion plug	3
E		L shape gutter	1	P		downPipe Holder	3	A1		Screw M4*30	3
F		Small bracket	24	Q		downpipe Clamps	3	B1		Screw 4.2*16	96
G		Main beam cover(front)	2	R		elbow	3	C1		Screw 4.2*16	2
H		Main beam cover (back)	2	S		Aluminum down pipe	2	D1		Hex screw M8*16 (gasket)	22
I		Junction cover	2	T		Gutter connector plate	2	E1		Hex bolt M8*16 (gasket)	32
J		Wall tube cover	Each end has one	U		Beam Inside Slide Block	2	F1		T junction	2
K		PC sheet	6	V		12*75 expanded plug	7	G1		Hard Rubber Bush	12
								H1		Screw 4.2*25	1



1. Drill the holes on the wall and start to screw it on the wall The first and sixth hole positions are 100mm distance from the end



2. Ensure the height of wall tube and mark the screw place through wall tube holes , drill diameter12 holes and depth is 100mm . inset a M12*75∅ plug into holes on the wall .and use M8*90screw to fix the wall tube on the wall. Don't forget to do sealant work at the gap

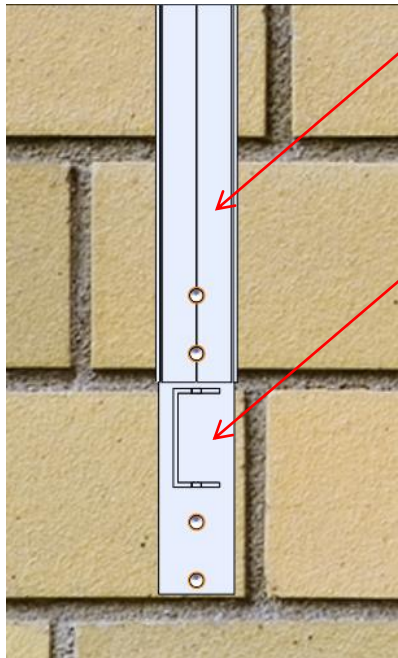


3 Install T junction and cover

3.1 ensure the T junction and cover's place and keep vertical ; adjust the main beam distance according the .

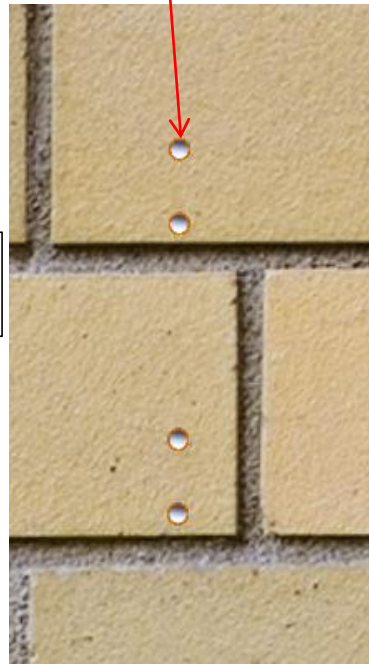
3.2 drill four holes on the wall , 110MM depth

3.3 inset 14*75 expanded plug , and use M10*100 screw to screw the cover on the wall

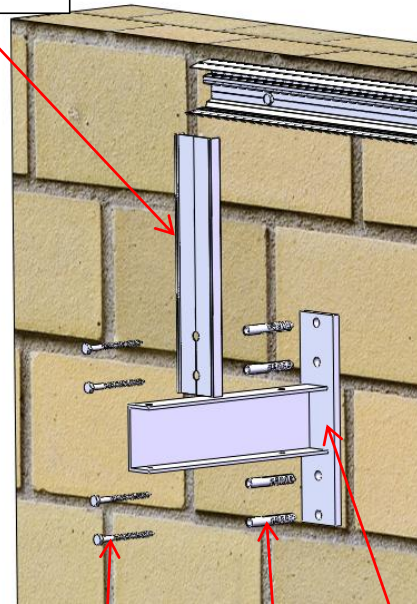


(I)cover

(F1) T junction



(I)cover



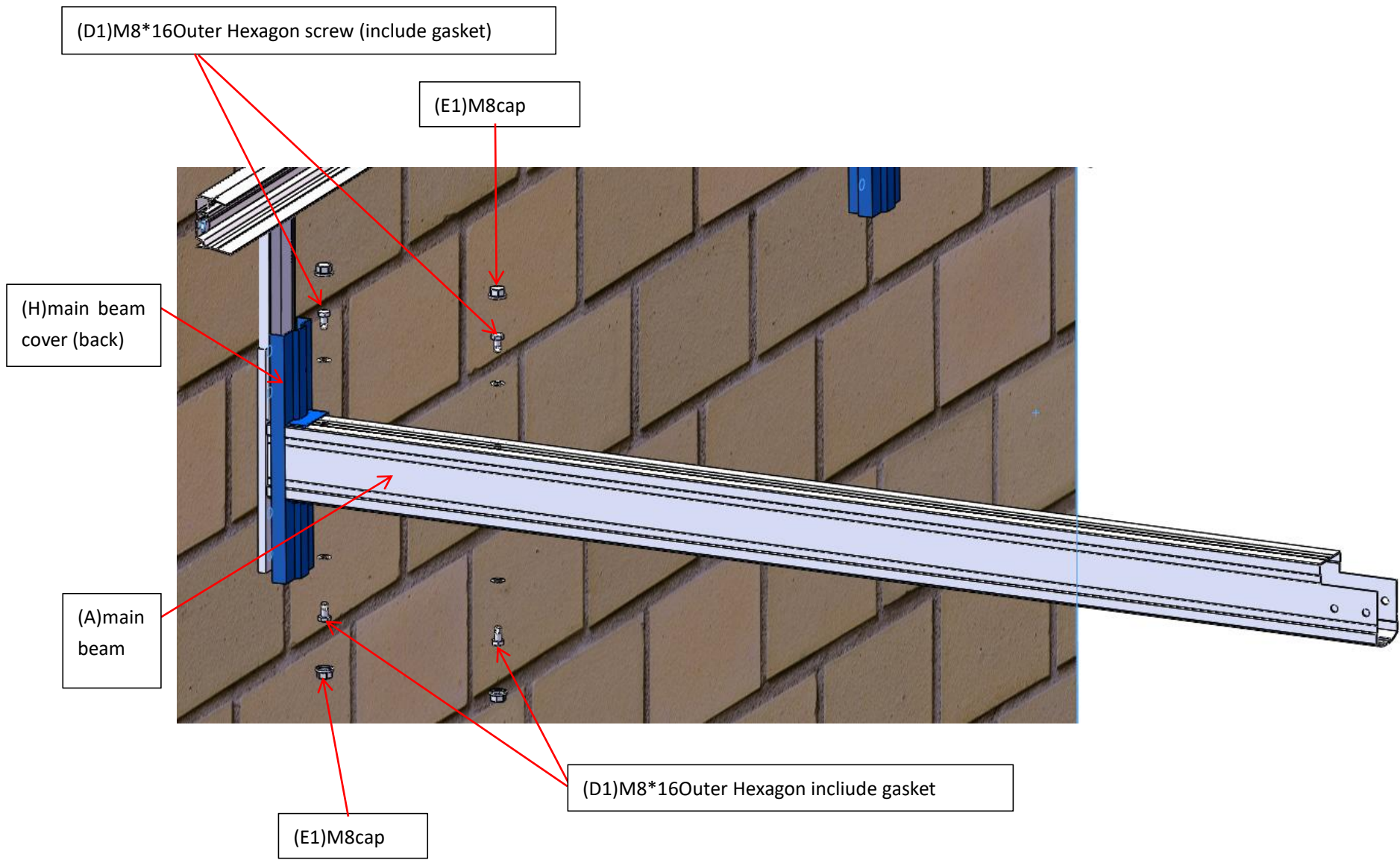
(X)14*75expanded plug

(W)M8*90screw

(F1)Tjunction

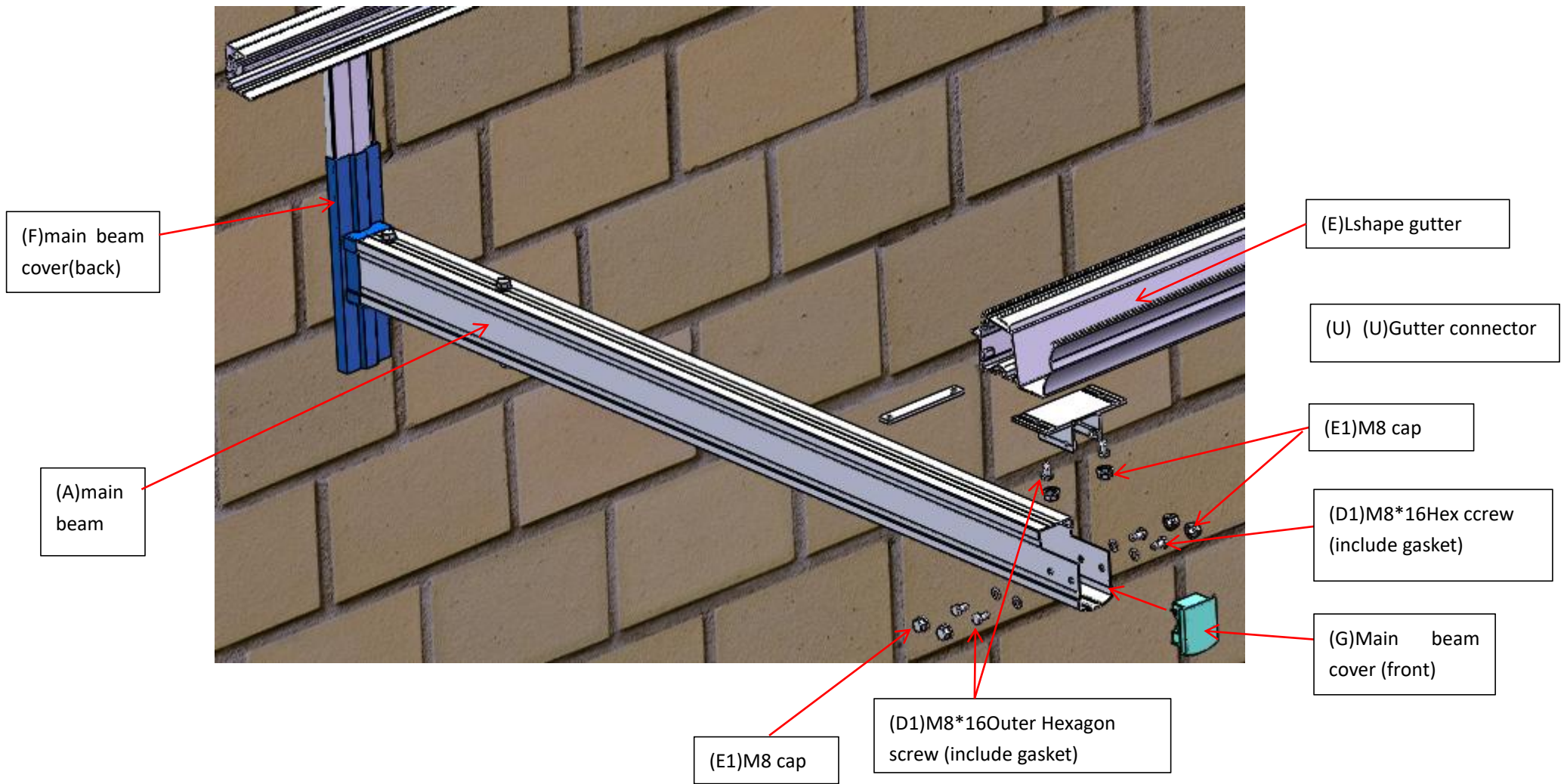


4. Assemble the main beam with T junction , and use M8*16 hex screws to fix ,swear M8 cap.

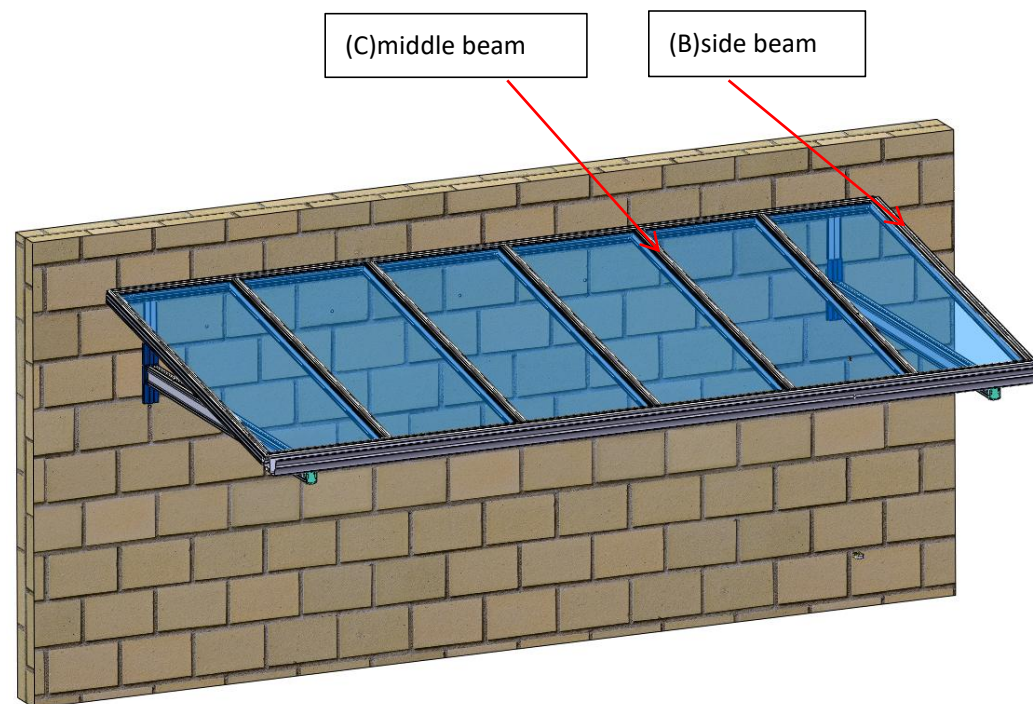
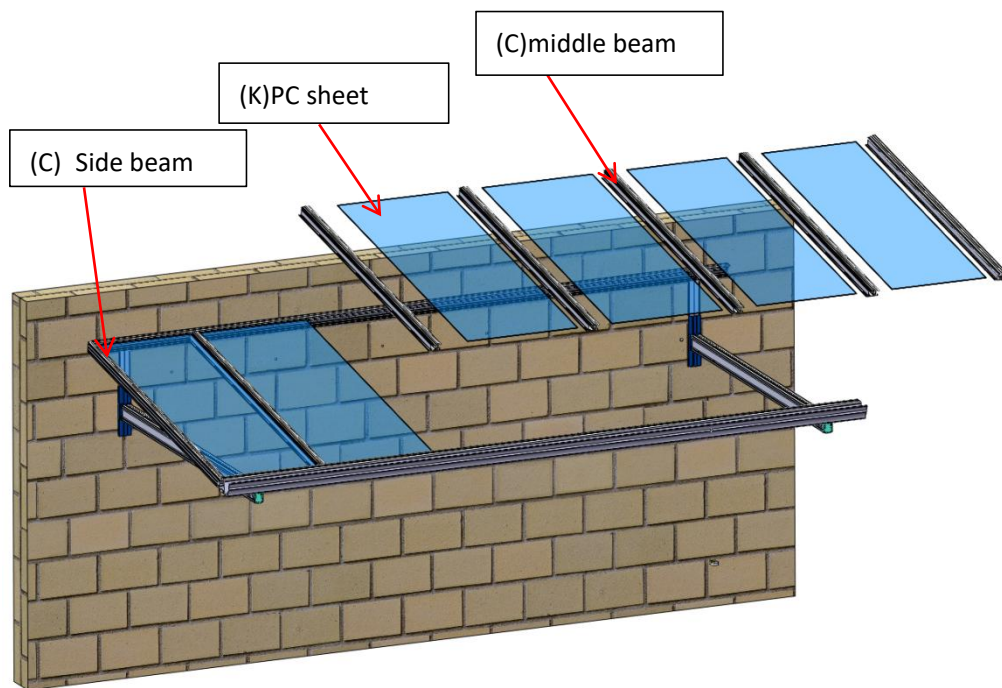


5. Assemble the connector as the picture ,inset the connect plate into the gutter ,and keep it is moveable ,then use M8*16 Outer Hexagon screw to fix them

(T):connect plate



6. Install side beam, middle beam, PC sheet. Inset the PC sheet into the groove. Use 4.2*16 screw to assemble the canopy aluminum frame



6.1 use 4.2*16 screw assemble wall tube and side beam. Screw it on the profile line, as photo 1 photo 2 photo 3

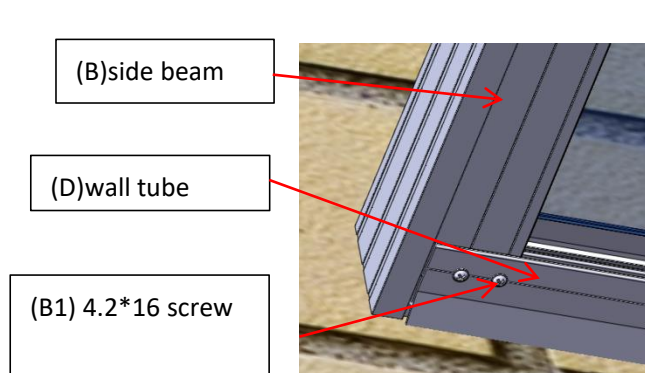


Photo 1

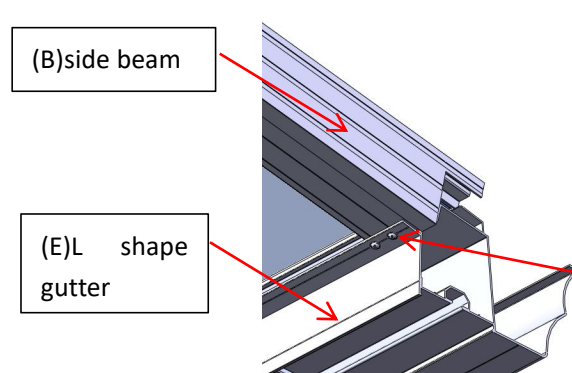


Photo 2

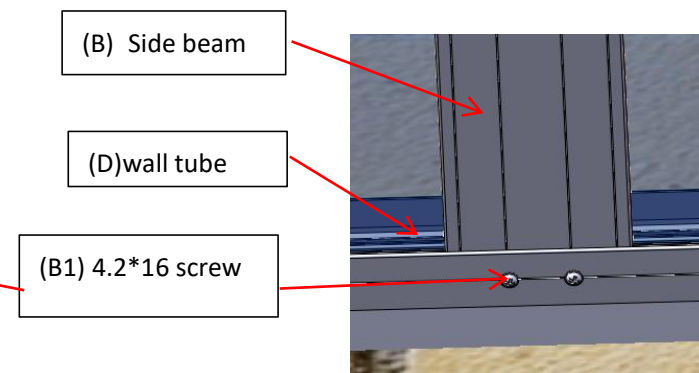
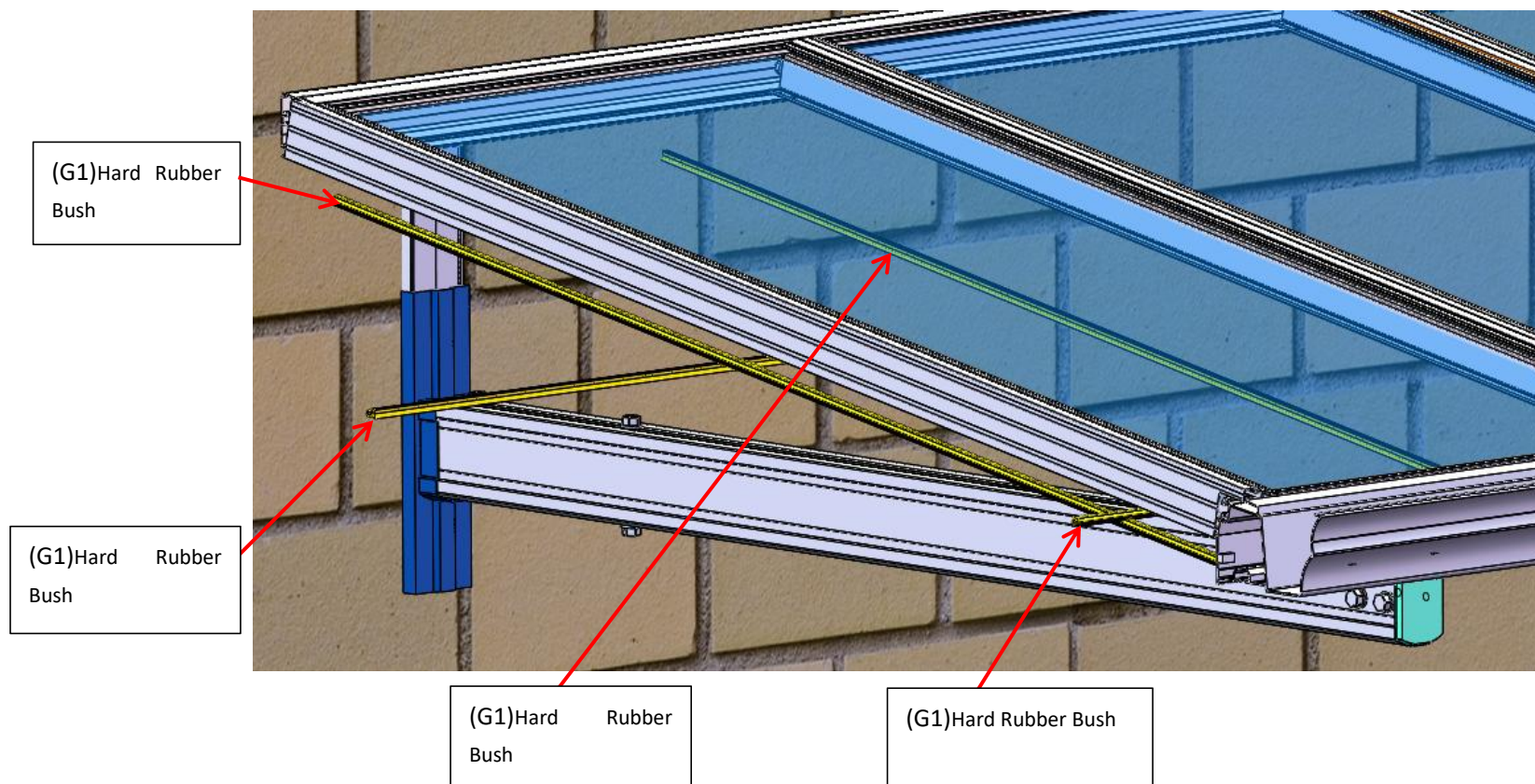


Photo 3

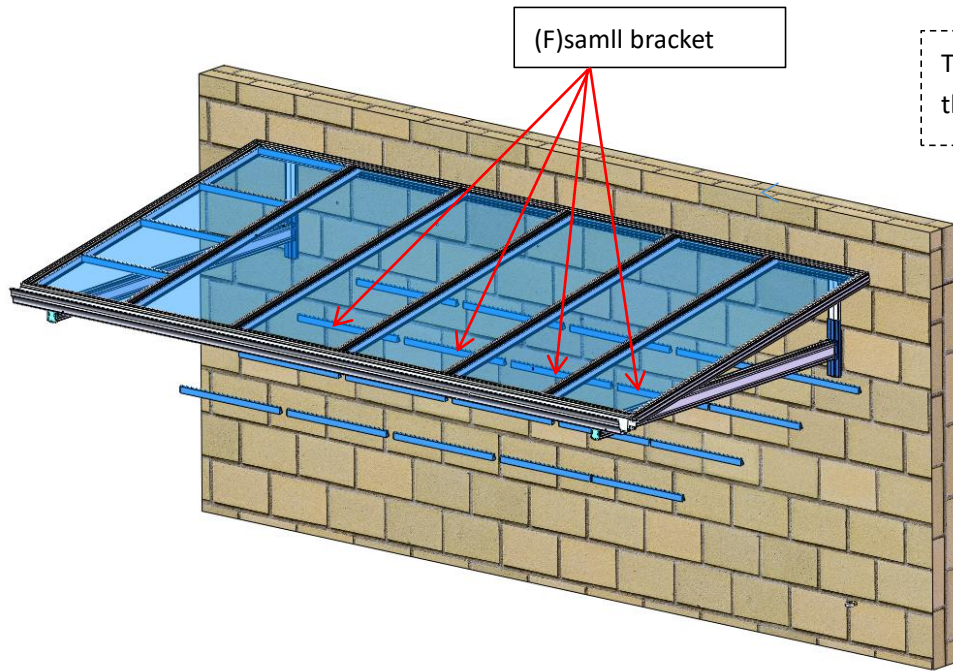
7. Inset Hard Rubber Bush into the gap between PC sheet and middle beam, the bar should be in correct direction and not loosen during using

Tips: the Hard Rubber Bush should be in correct direction and not loosen during using

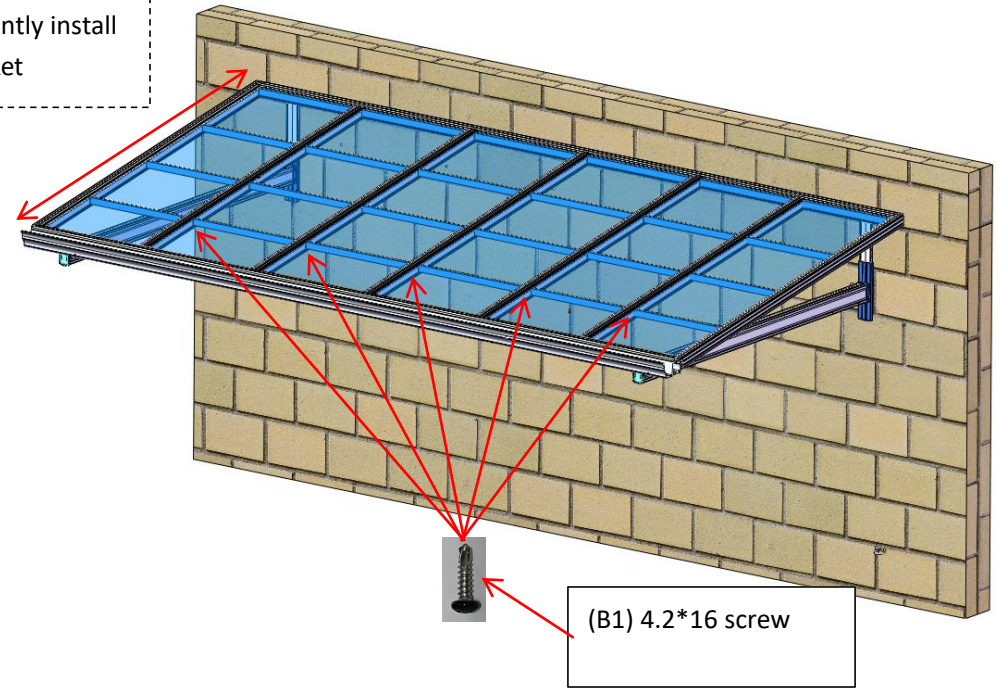
Tips: use hammer and 100mm*100mm*5mm rubber block



8. Equidistantly install the small bracket at inside to support the PC sheet and use 4.2*16 screw to fix



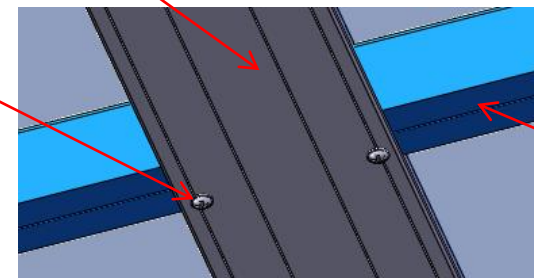
Tips: equidistantly install the small bracket



(C)middle beam

8.1 use 4.2*16 screw to fix the small bracket with side beam and middle beam (photo 4)

(B1)screw 4.2*16

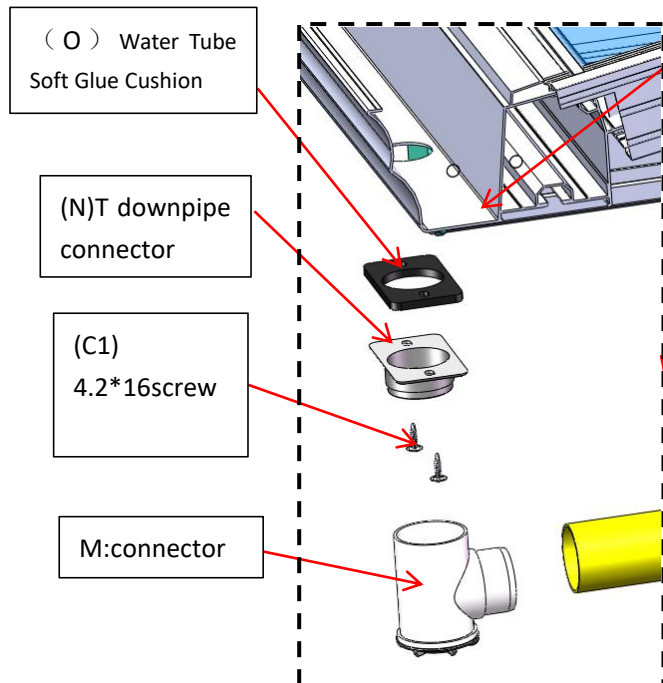


(F)small bracket

photo4

9. Install the drainage system.

9.1 repanning a diameter 35 hole. And assemble photo photo 6, photo 7 , photo 8



Photot 5

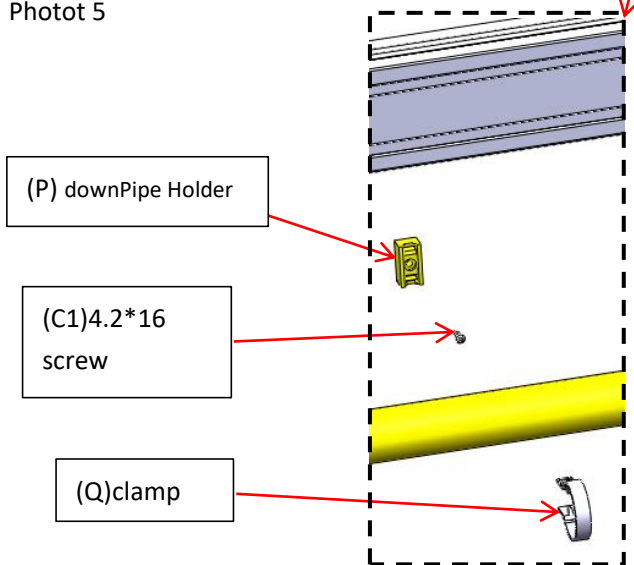


图 7

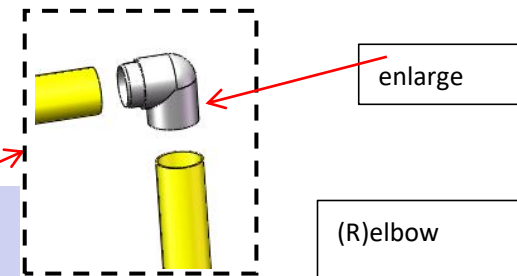


photo6

9.22 fix the pipe holder at the wall , diameter 6mm and 30mm depth

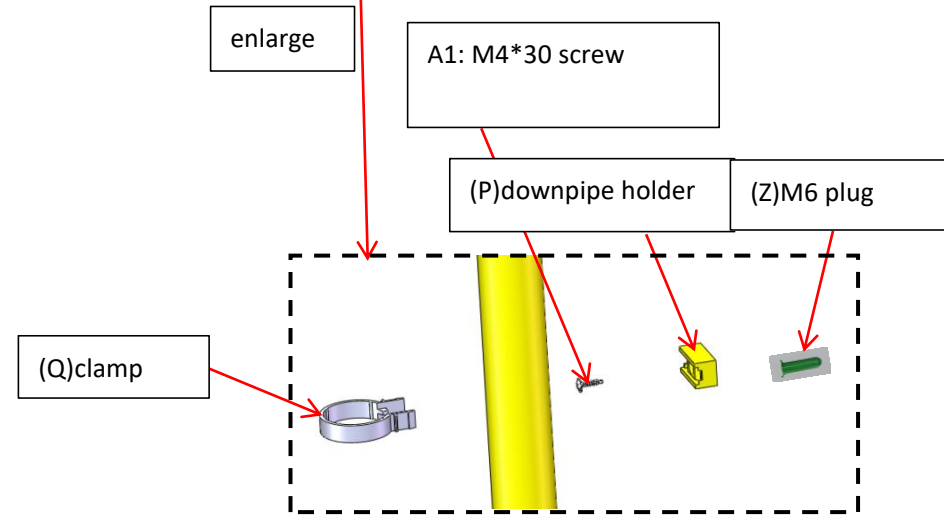
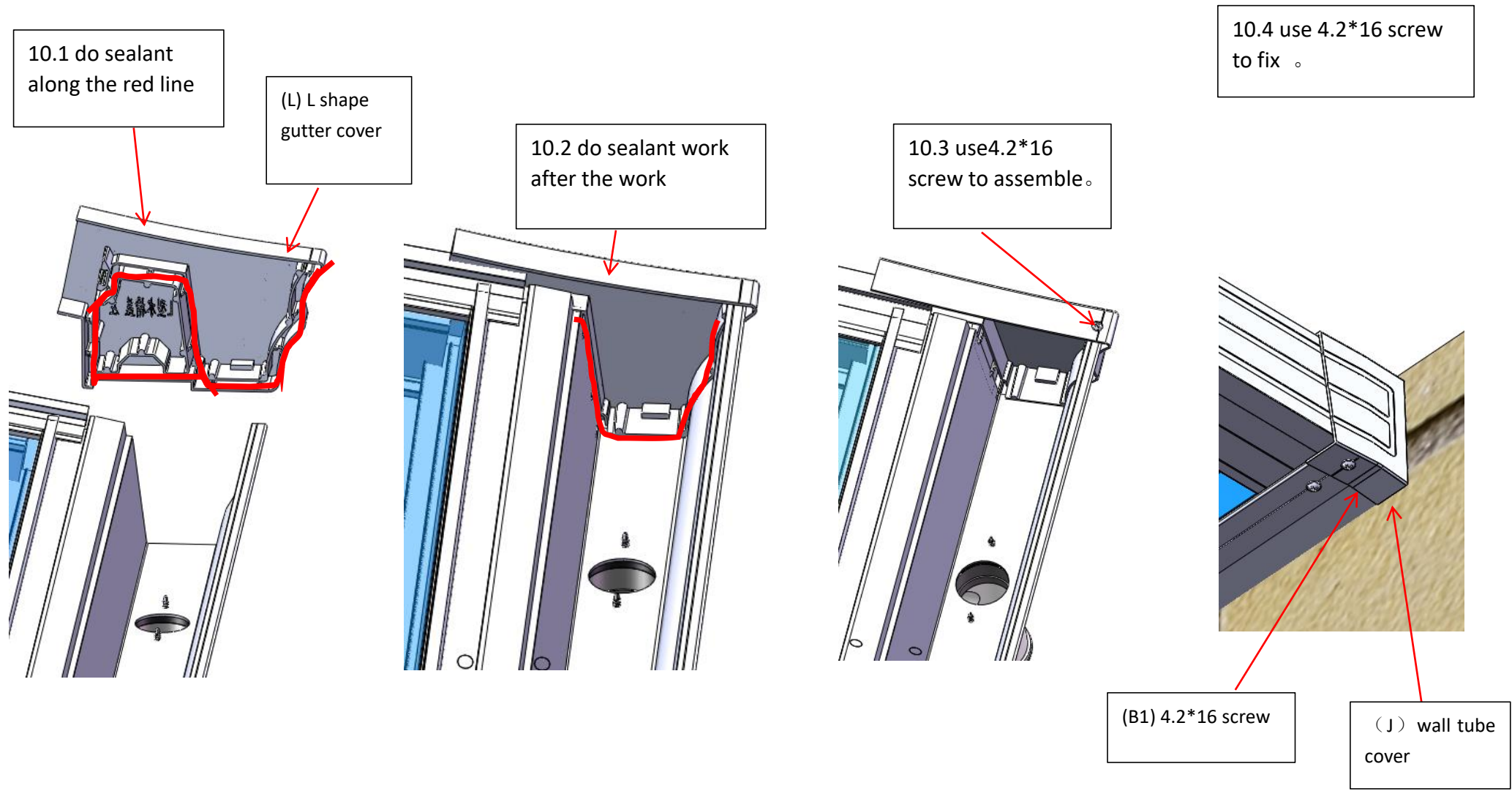


图 8

10. Install the covers and do sealant work



11. Complete

