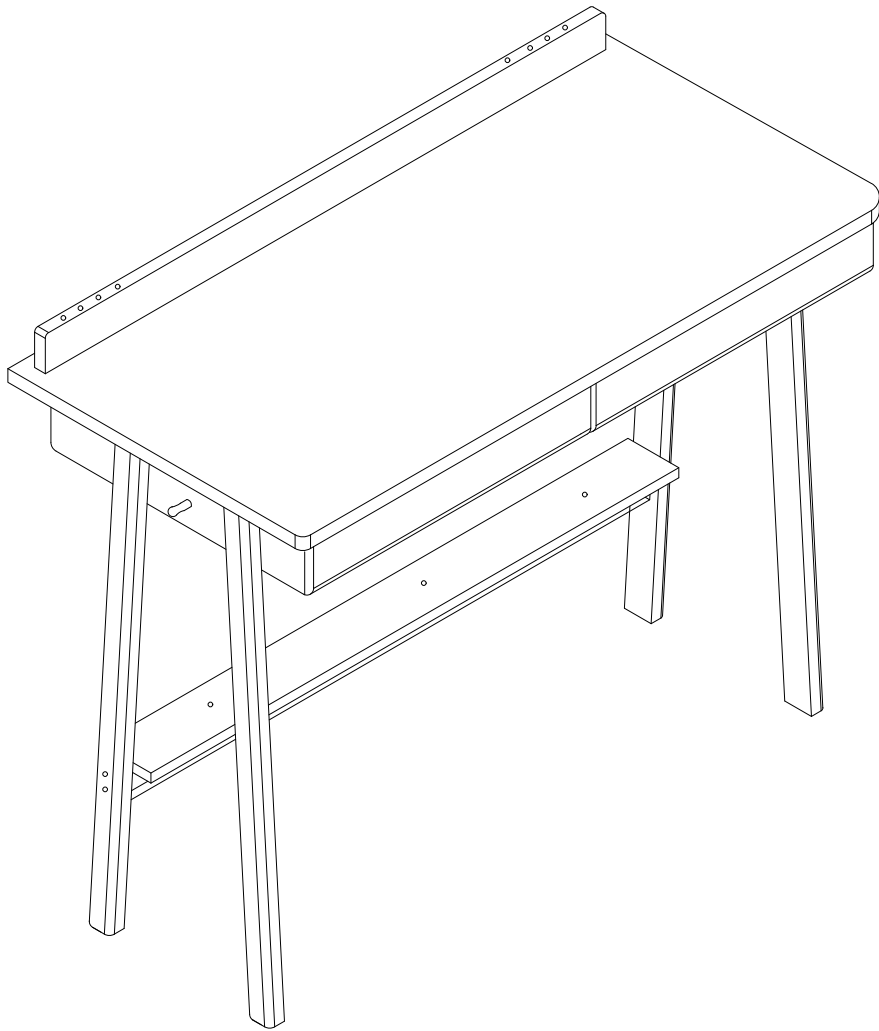
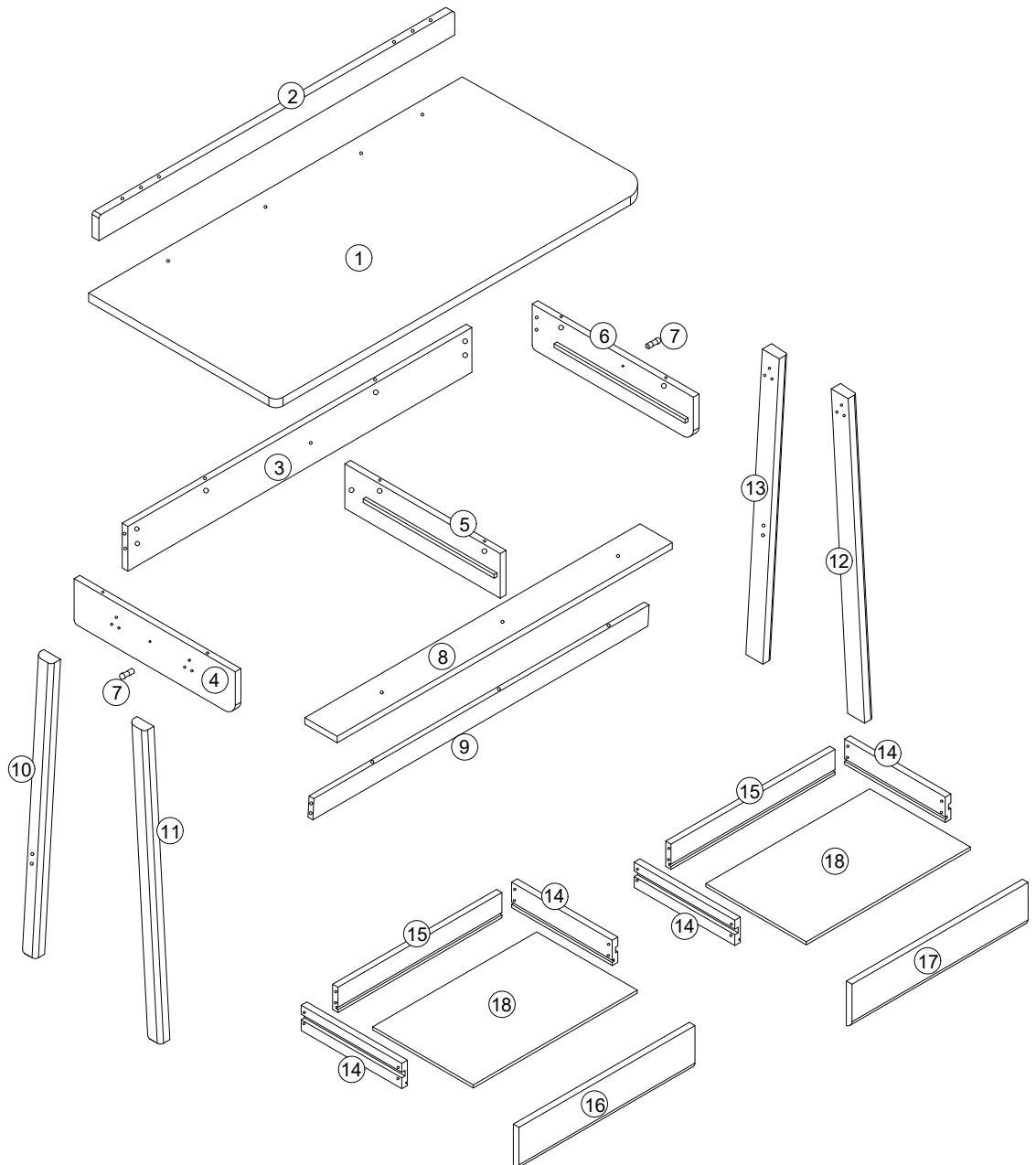


1

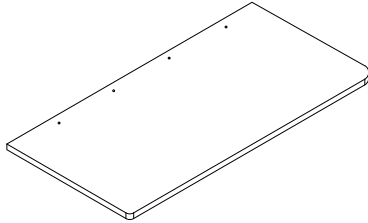
ASSEMBLY INSTRUCTIONS



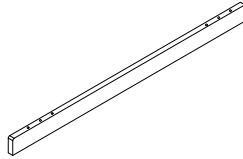
BOARD IDENTIFICATION



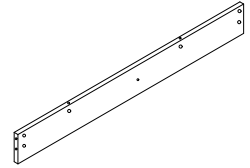
PARTS LIST



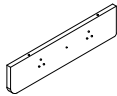
① Panel



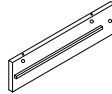
② Baffle



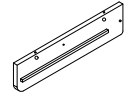
3 Pull plate



④ Left side panel



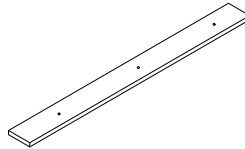
⑤ Neutral plate



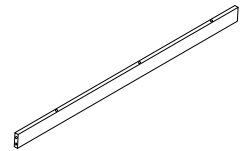
⑥ Right side panel



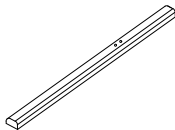
⑦ A Hook



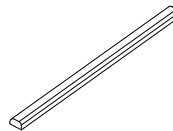
⑧ Footrest



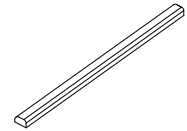
⑨ Pull-down board



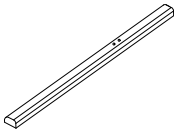
⑩ Left hind leg



⑪ Left front leg



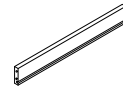
⑫ Right front leg



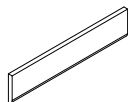
⑬ Right hind leg



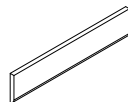
⑭ Drawer side plate
QTY:4



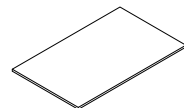
⑮ Drawer pull plate
QTY:2



⑯ Left drawer surface



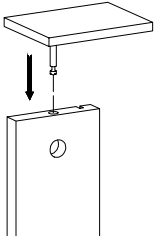
⑰ Right drawer surface



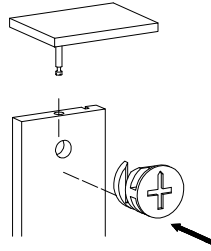
⑱ Drawer base plate
QTY:2

4

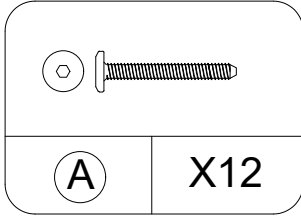
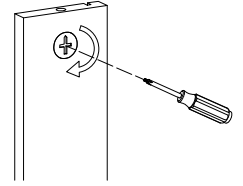
1



2



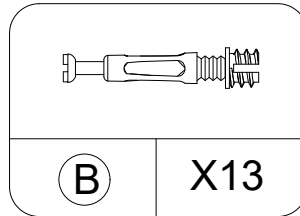
3



A

X12

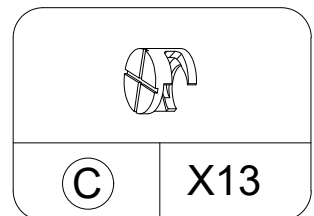
Screw
Ø6*30



B

X13

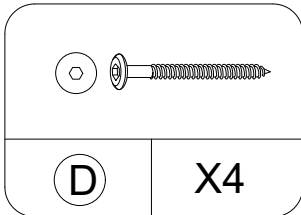
Cam bolt
Ø7*31



C

X13

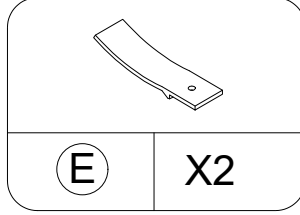
Cam lock
Ø15*11



D

X4

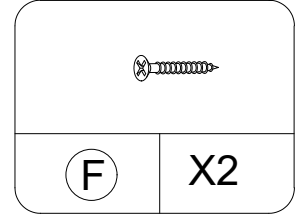
Screw
Ø6*60



E

X2

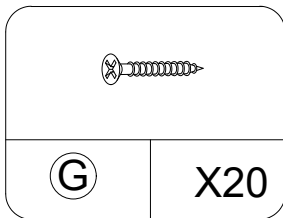
Shrapnel



F

X2

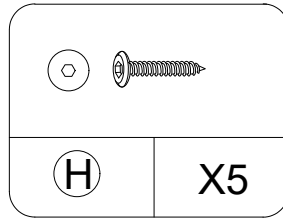
Screw
Ø3*14



G

X20

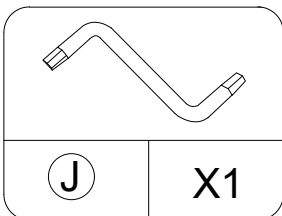
Screw
Ø4*40



H

X5

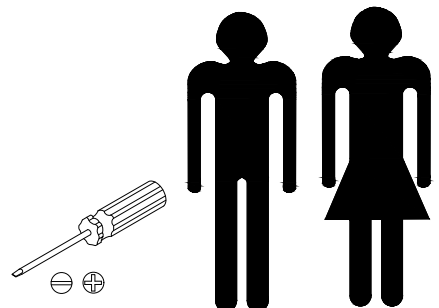
Screw
Ø6*35



J

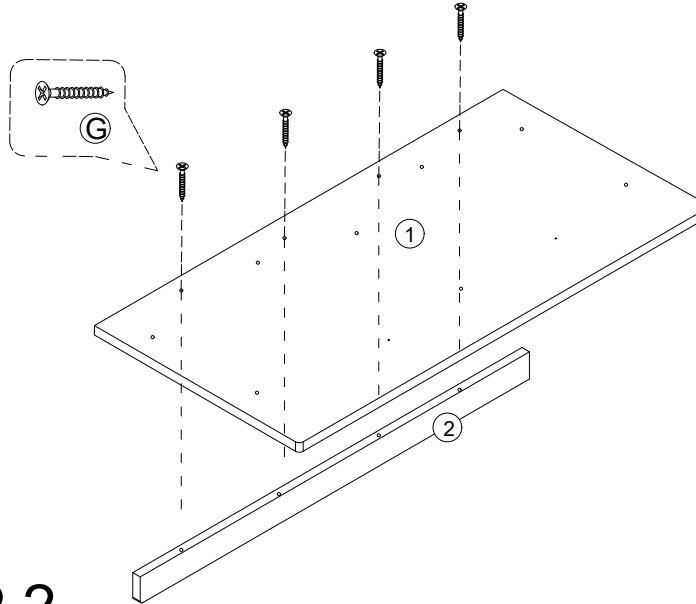
X1

Wrench
Ø4

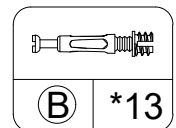
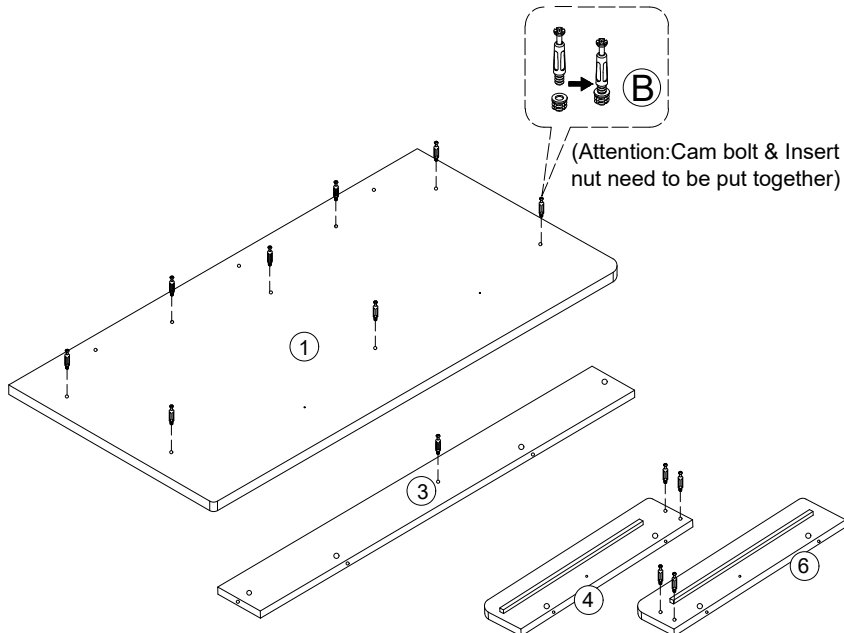
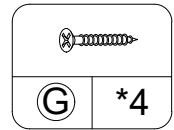


5

STEP 1

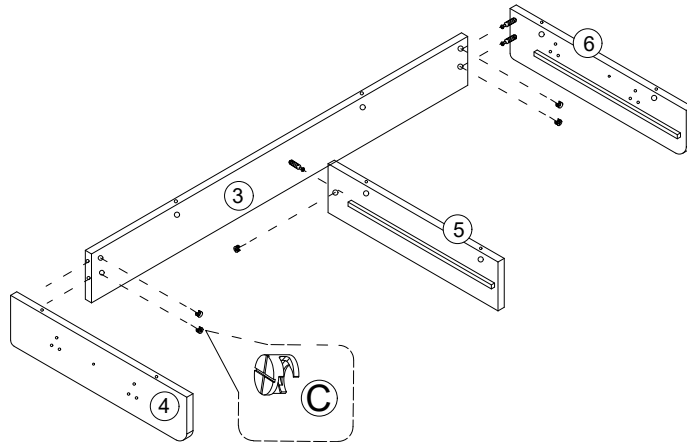


STEP 2

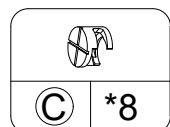
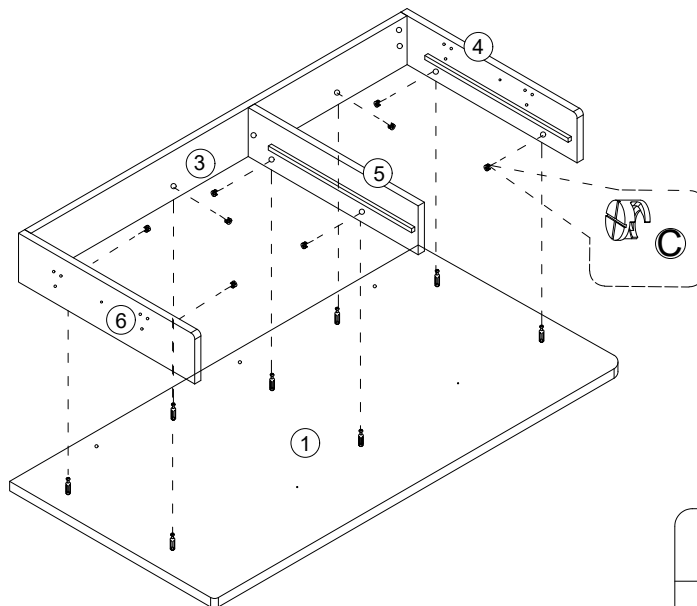
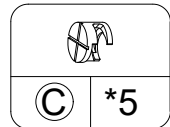


6

STEP 3

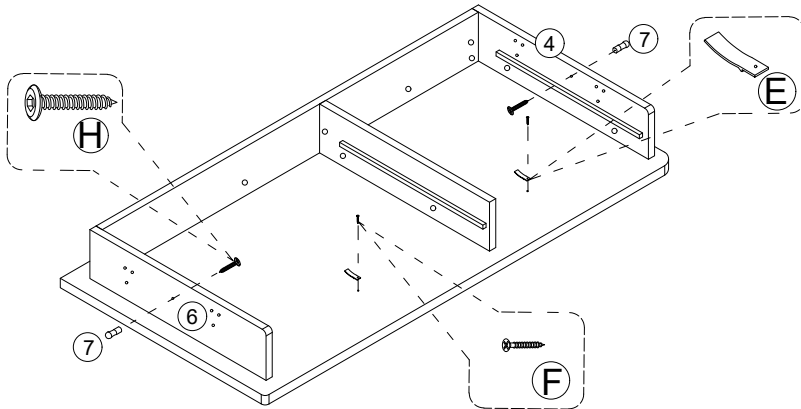


STEP 4

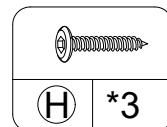
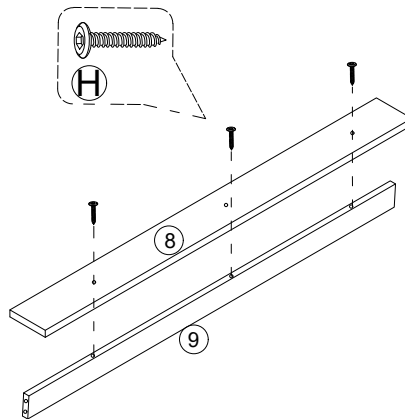
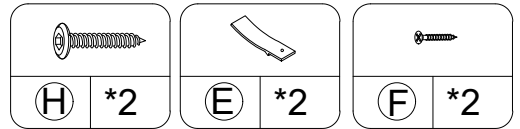


7

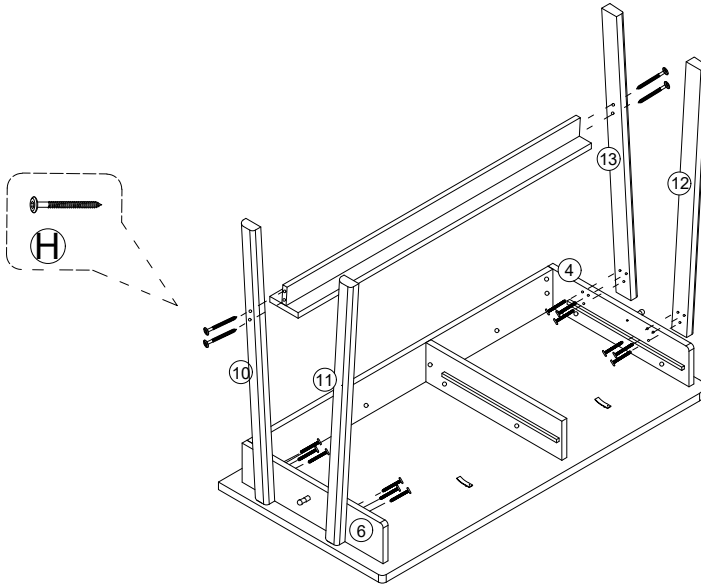
STEP 5



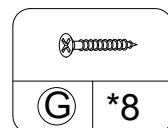
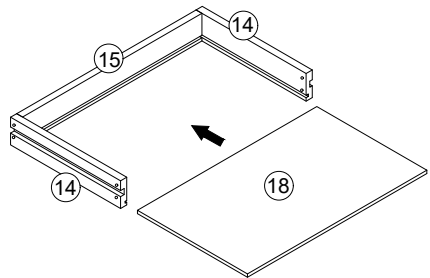
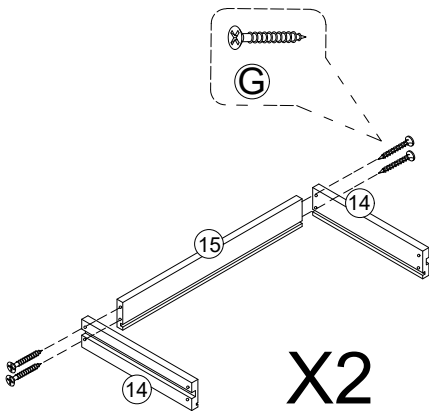
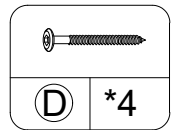
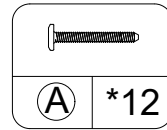
STEP 6



STEP 7

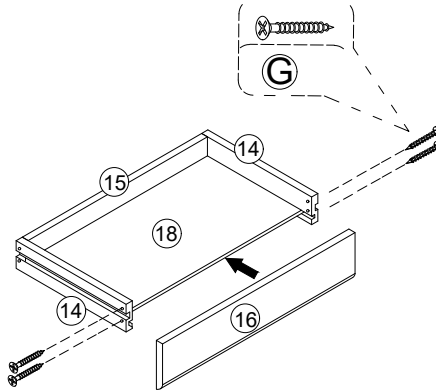


STEP 8



9

STEP 9



X2

STEP 10

