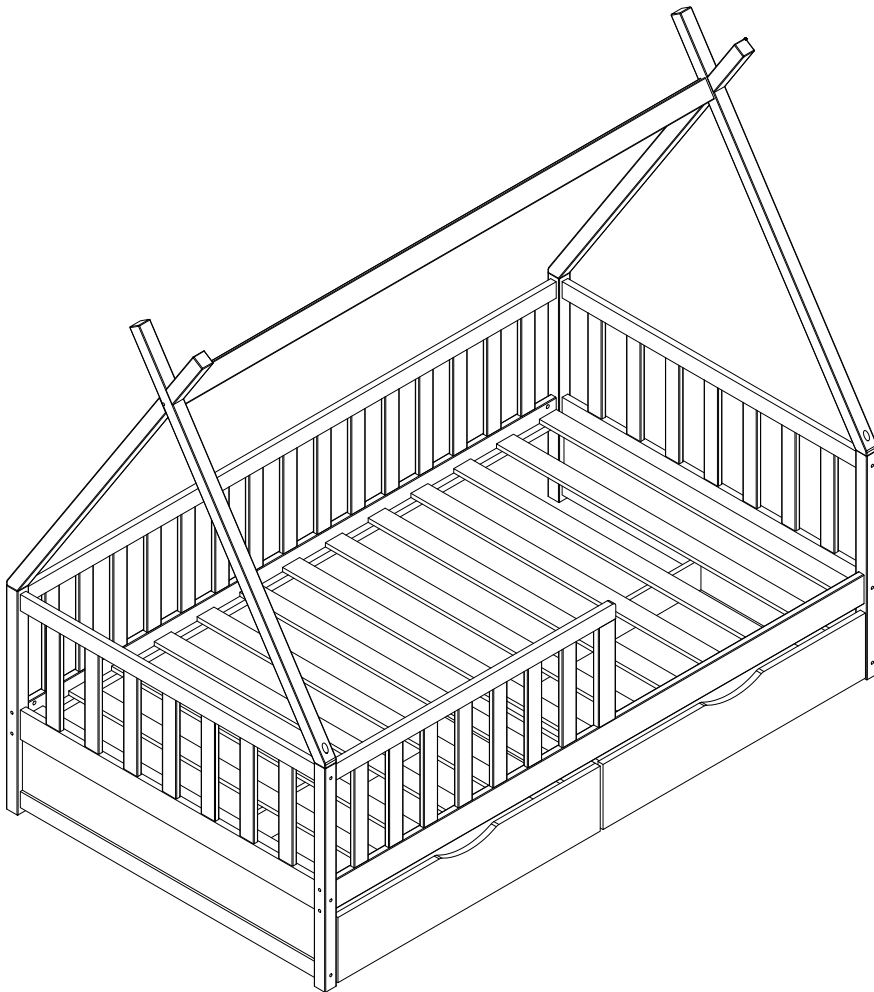


1

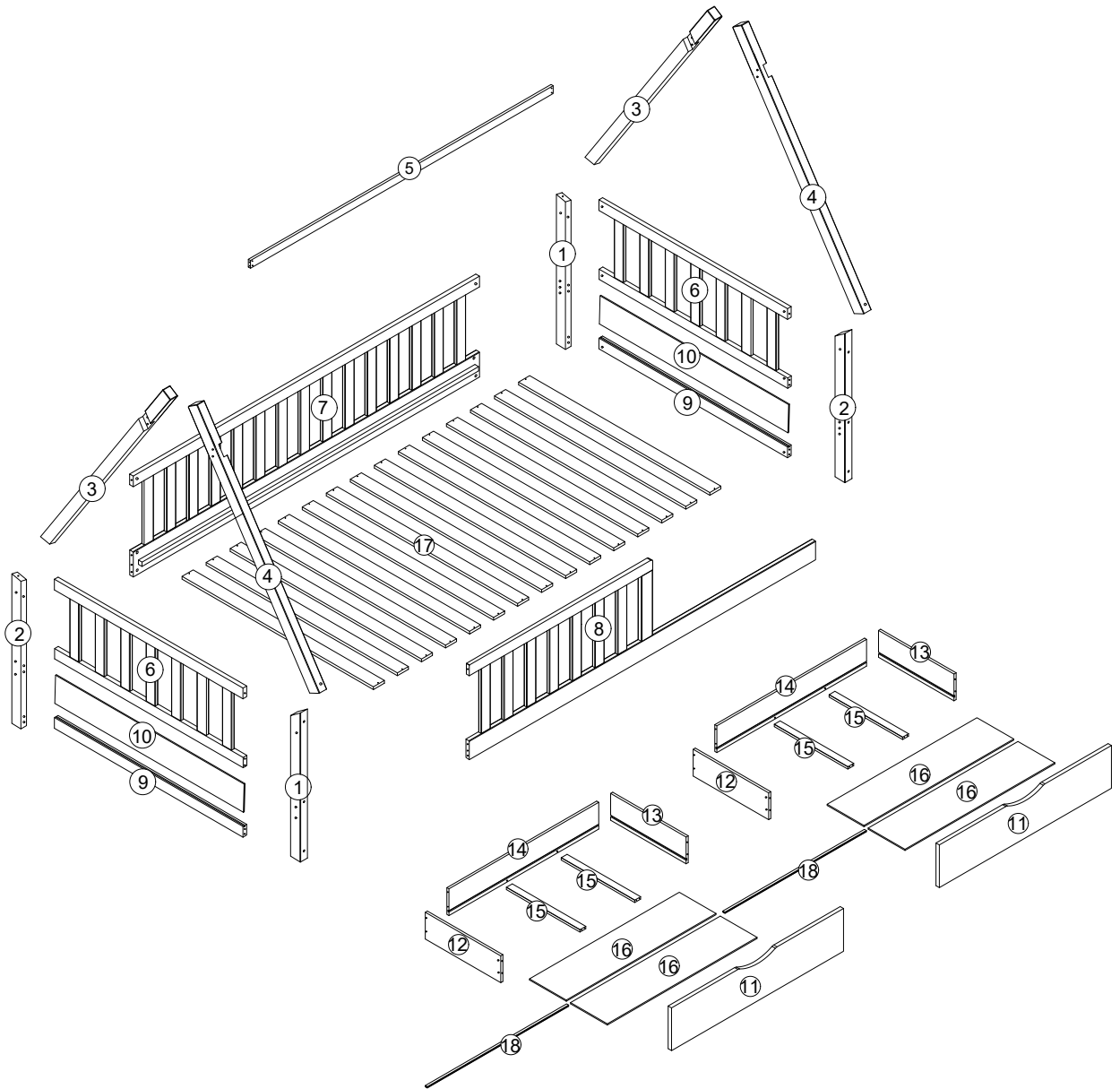
# ASSEMBLY INSTRUCTIONS

---

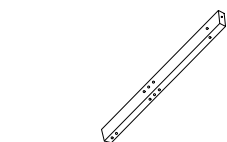


# BOARD IDENTIFICATION

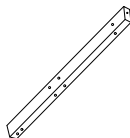
---



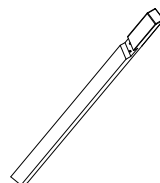
# PARTS LIST



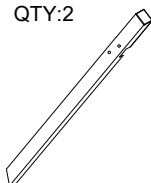
① Left leg  
QTY:2



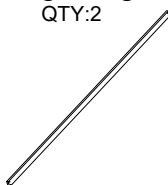
② Right leg  
QTY:2



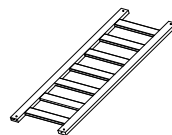
③ Left bracket  
QTY:2



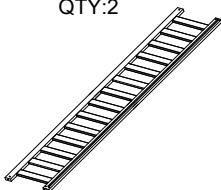
④ Right bracket  
QTY:2



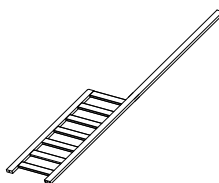
⑤ Cross bar



⑥ Bedside guardrail  
QTY:2



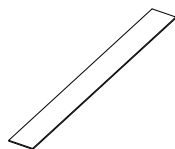
⑦ Rear guardrail



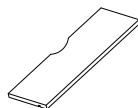
⑧ Front guardrail



⑨ Bedside tie rod  
QTY:2



⑩ Headboard  
QTY:2



⑪ Drawer panel  
QTY:2



⑫ Drawer left panel  
QTY:2



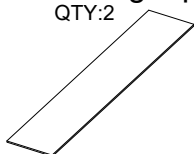
⑬ Drawer right panel  
QTY:2



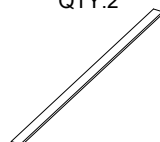
⑭ Drawer back plate  
QTY:2



⑮ Drawer bottom pull plate  
QTY:4



⑯ Drawer base plate  
QTY:4

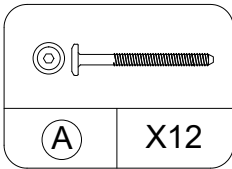
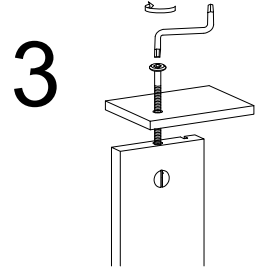
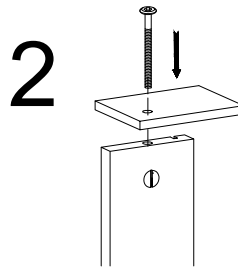
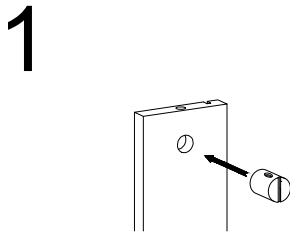
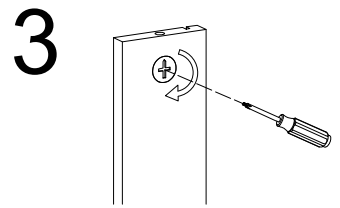
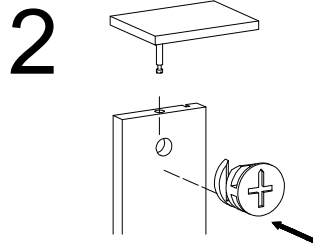
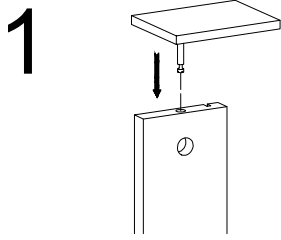


⑰ Sleeping board  
QTY:15

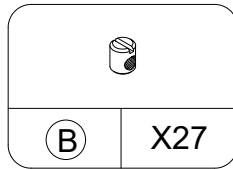


⑱ Card strip  
QTY:2

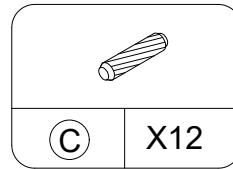
# 4



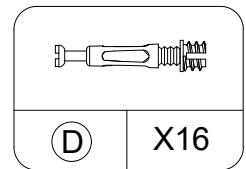
Screw  
Ø6\*90



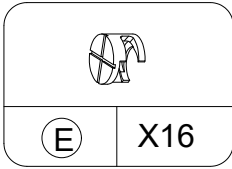
Nut  
Ø10\*11



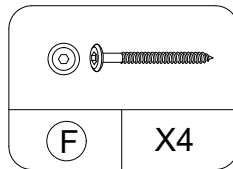
Wooden tenon  
Ø8\*30



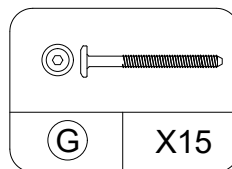
Cam bolt  
Ø7\*31



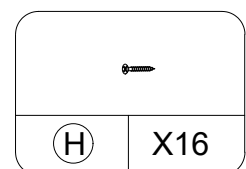
Cam lock  
Ø15\*11



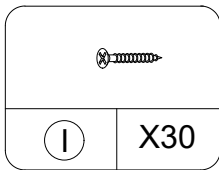
Screw  
Ø6\*70



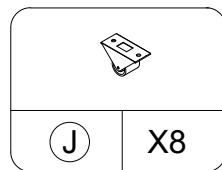
Screw  
Ø6\*80



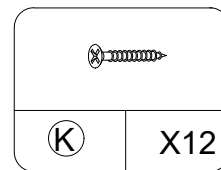
Screw  
Ø3.2\*16



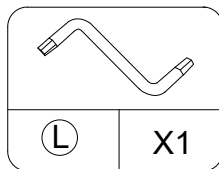
Screw  
Ø4\*25



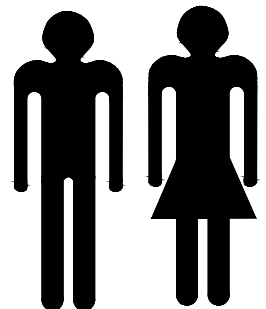
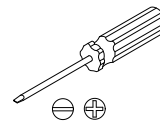
Wheel  
Ø25



Screw  
Ø4\*40

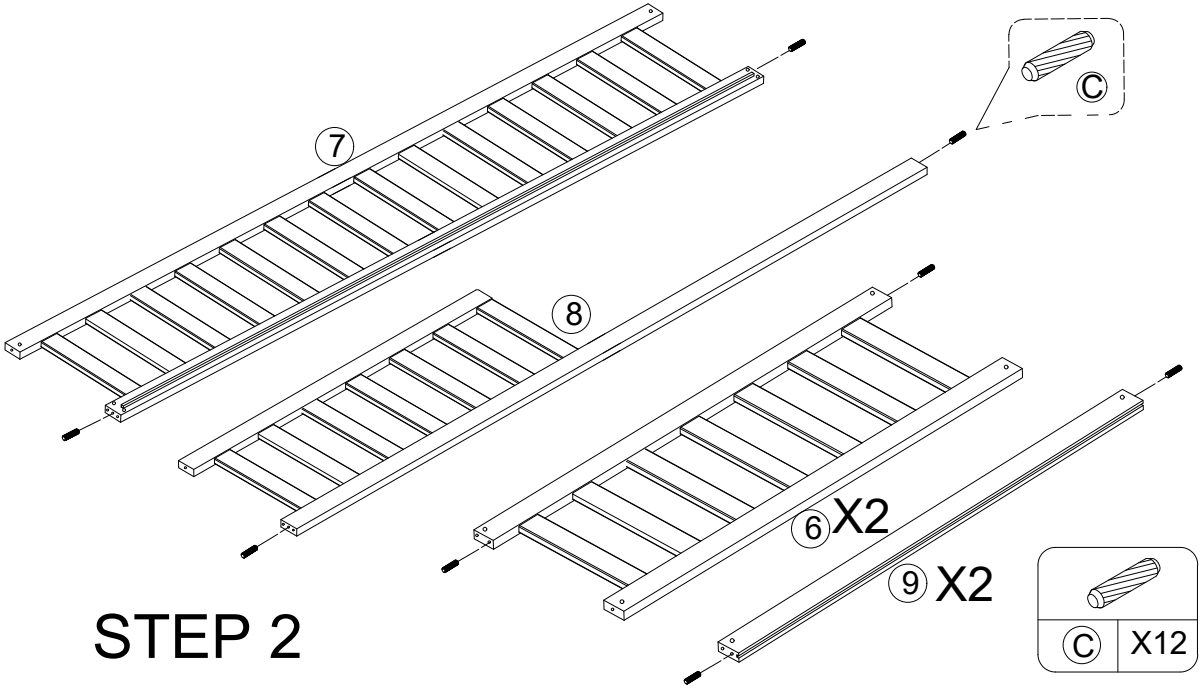


Wrench  
Ø4

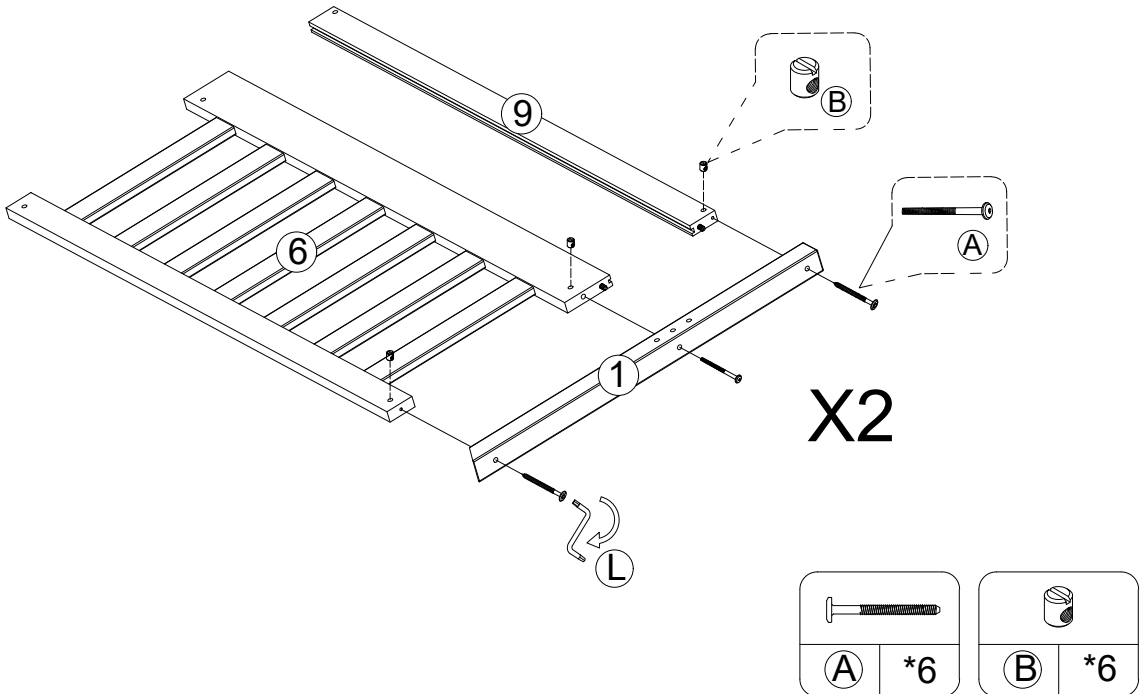


5

# STEP 1



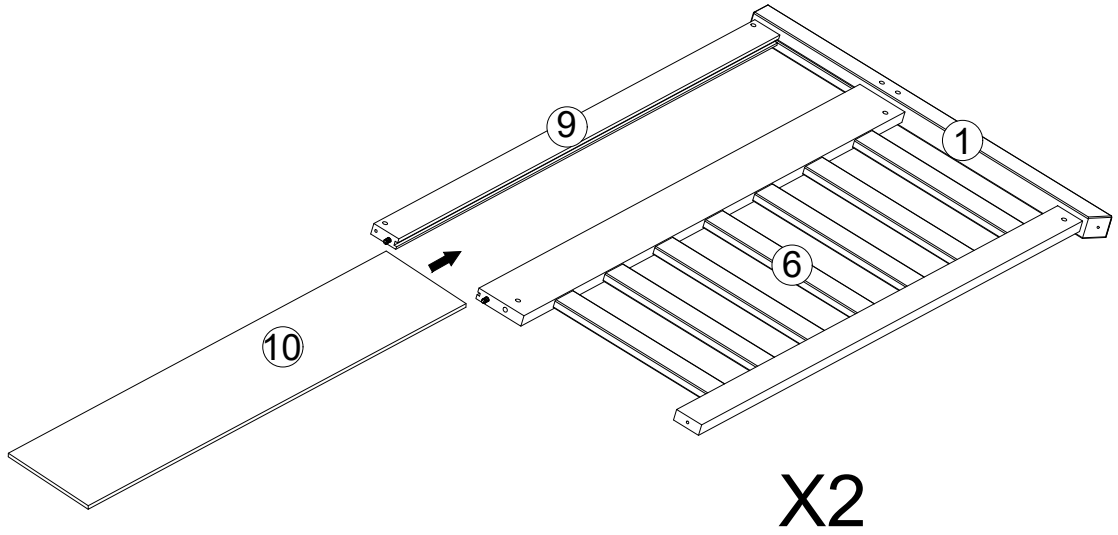
# STEP 2



6

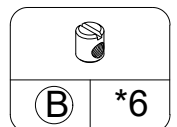
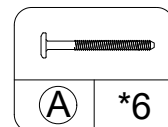
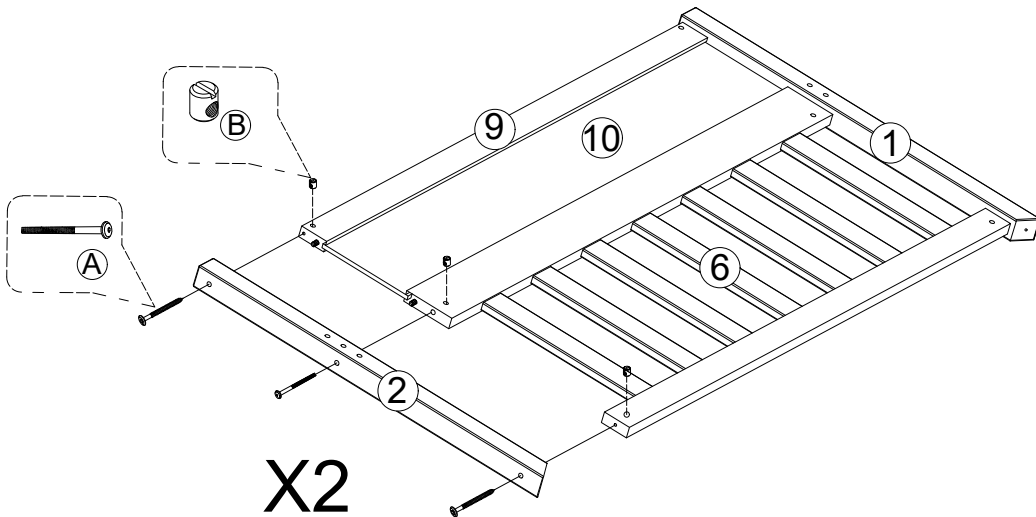
### STEP 3

---



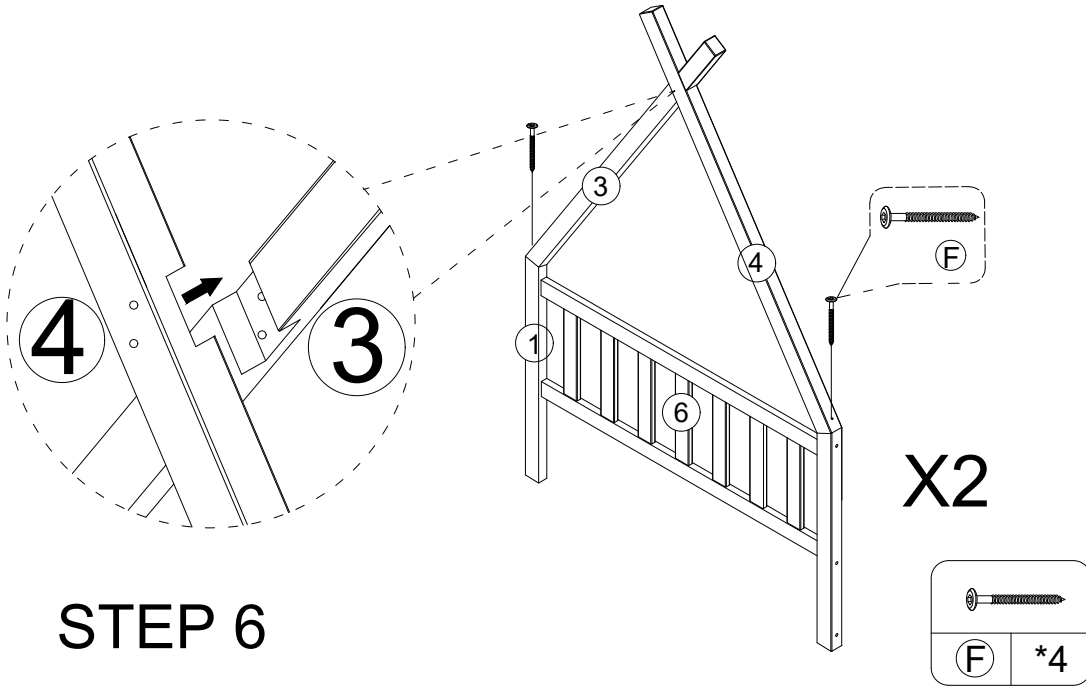
### STEP 4

---

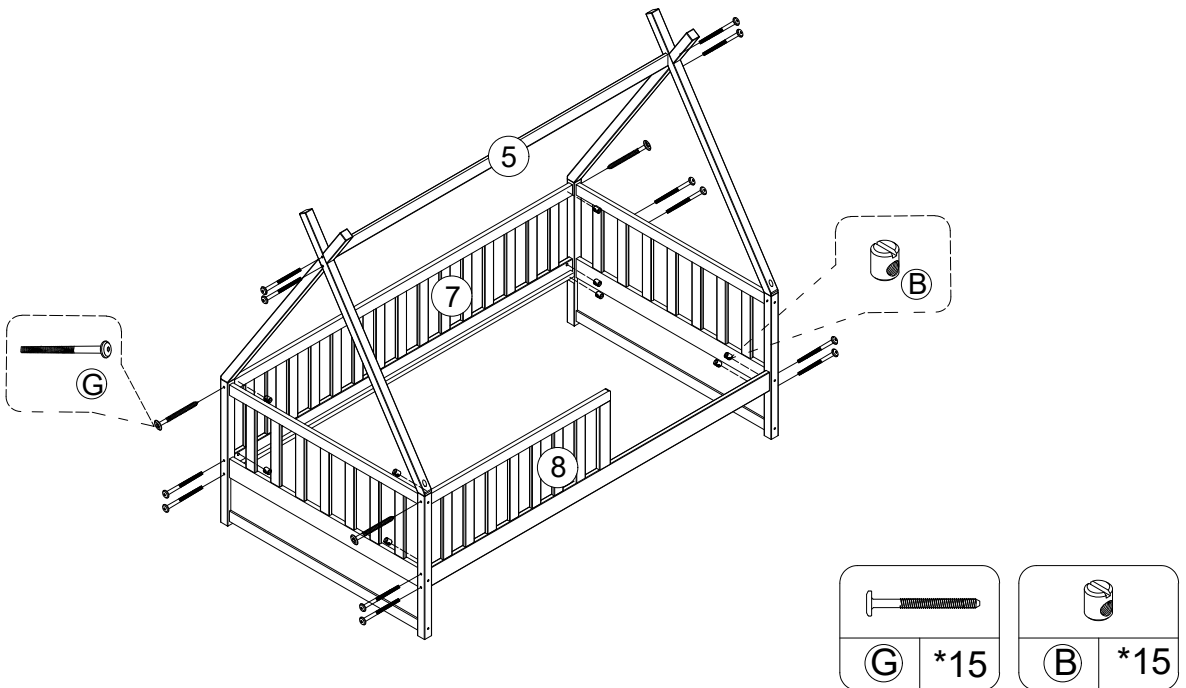


7

# STEP 5

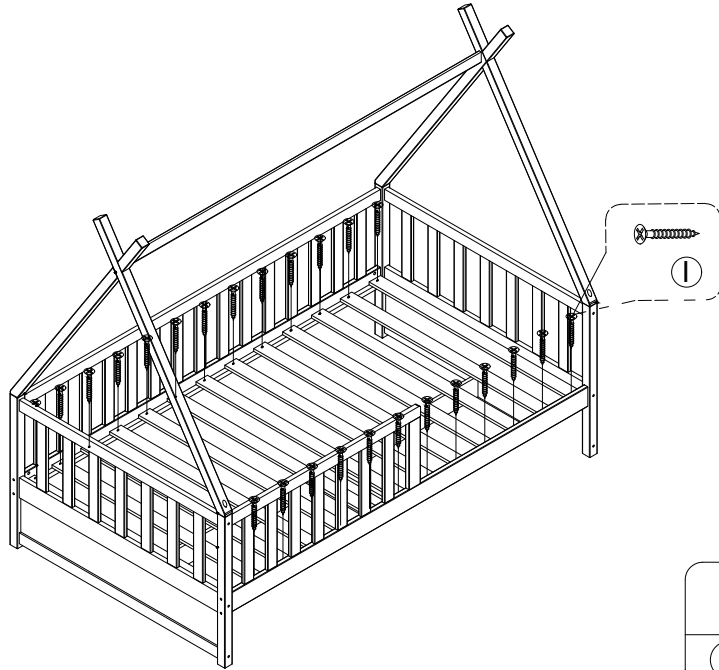


# STEP 6

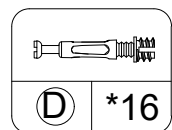
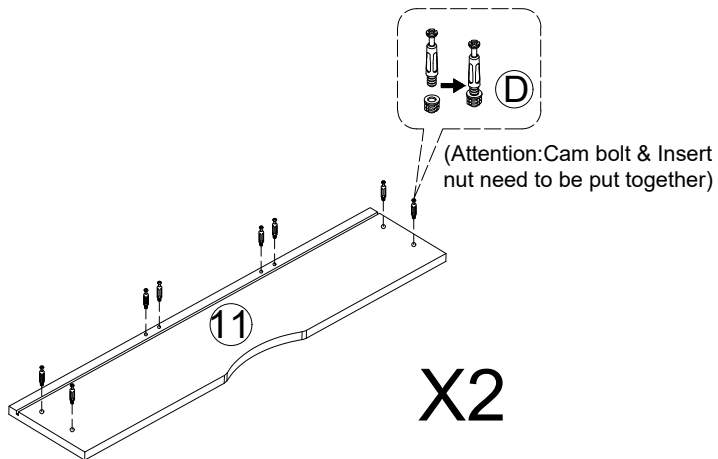
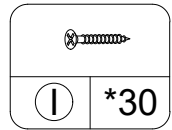


8

# STEP 7



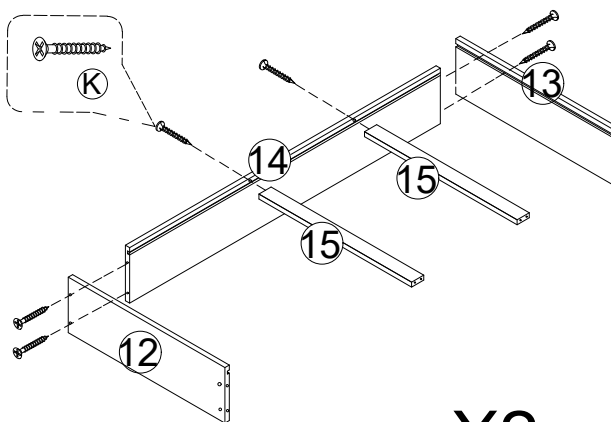
# STEP 8





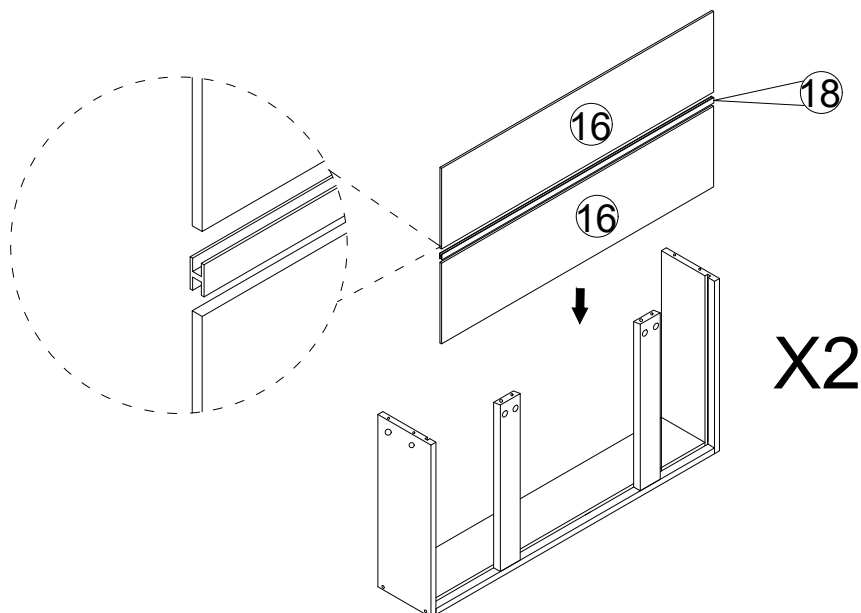
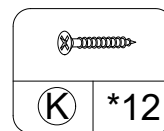
9

# STEP 9

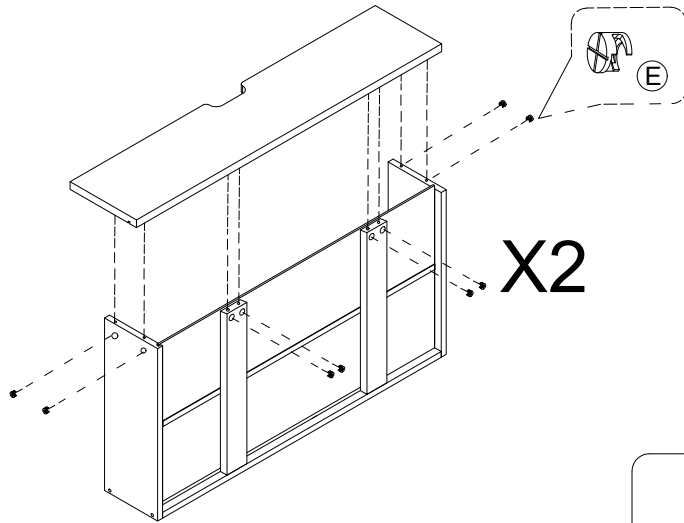


# STEP 10

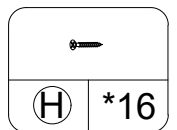
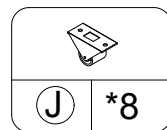
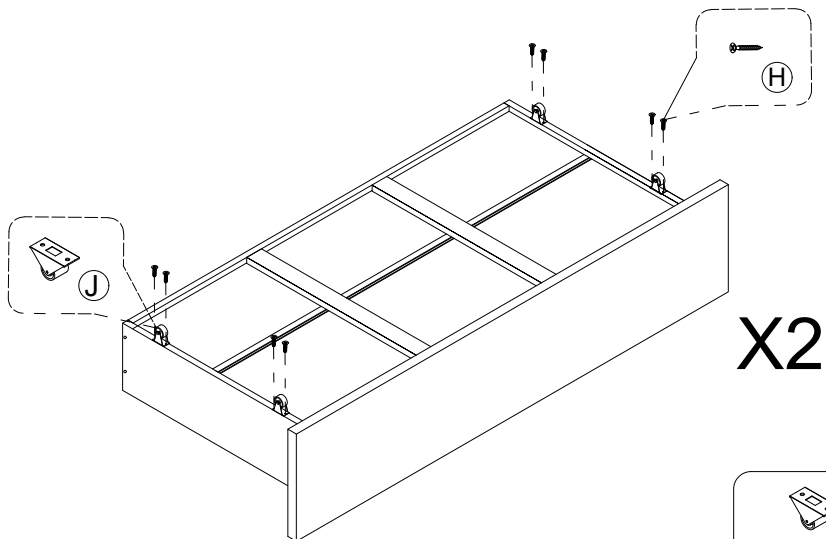
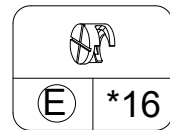
X2



# STEP 11



# STEP 12



# STEP 13

---

