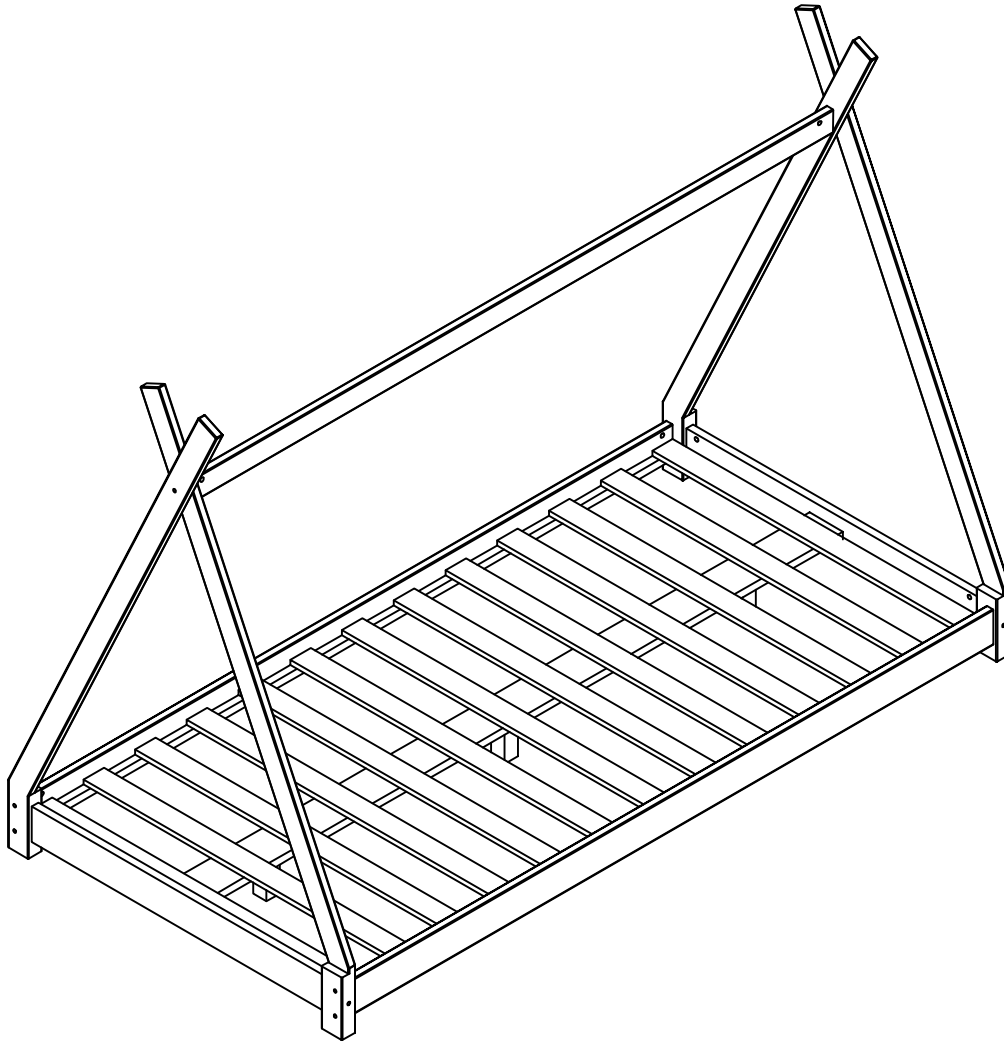
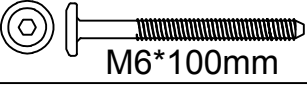







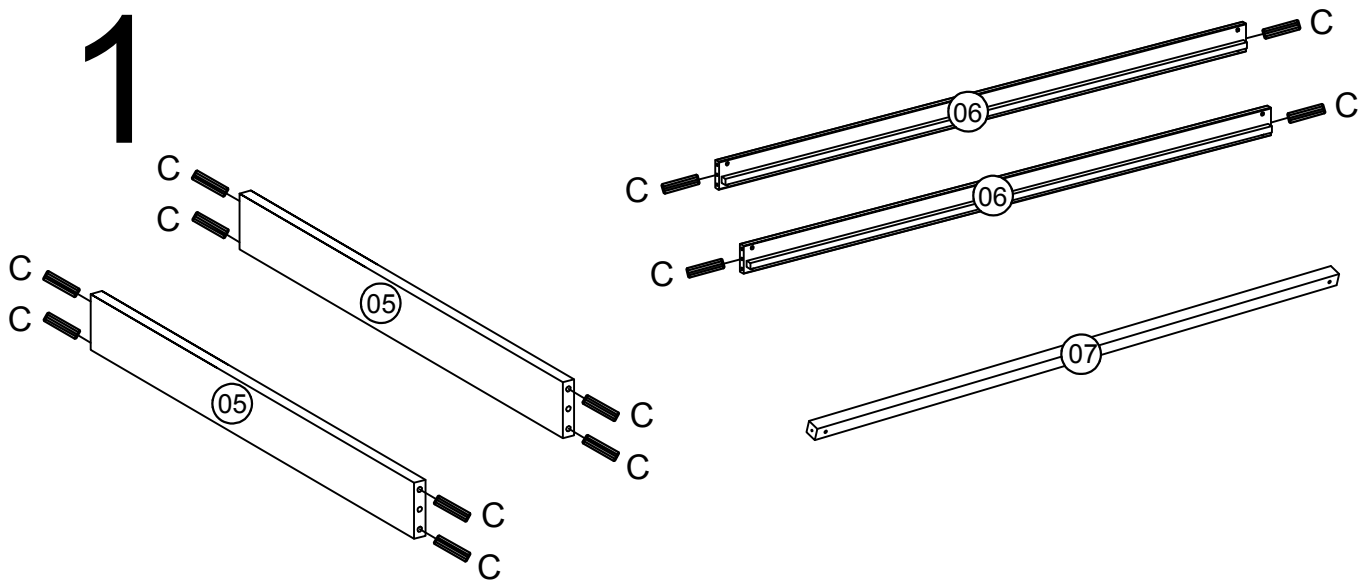
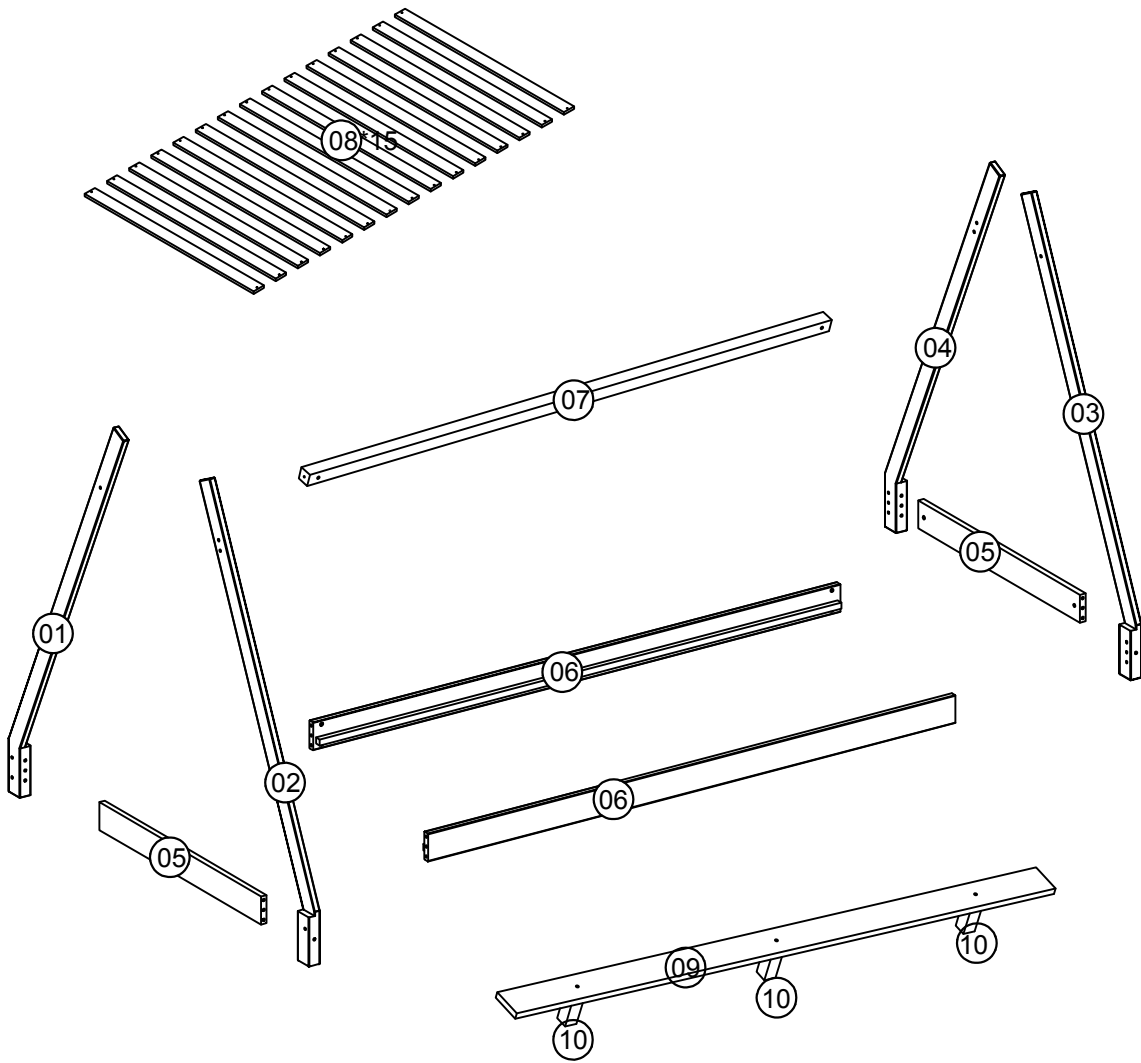
# Assemble Instruction



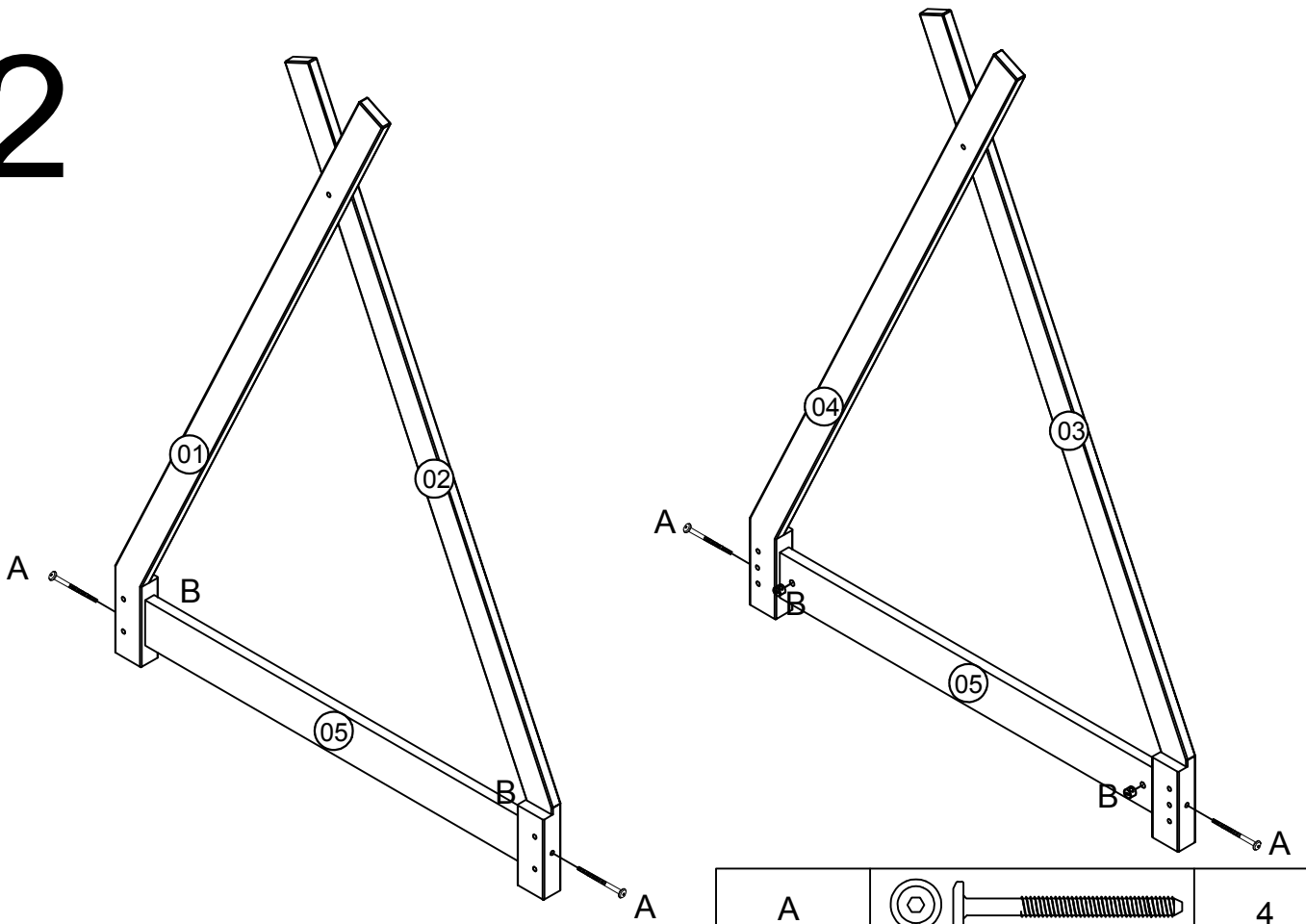
## Hardware List

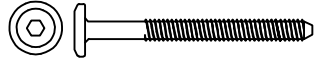

|   |   |    |   |  |    |
|---|---|----|---|--|----|
| A | <br>M6*100mm | 14 | D | <br>M3*30mm | 38 |
| B | <br>M6       | 14 | E | <br>M4*35mm | 3  |
| C | <br>M8*40mm  | 12 | F |             | 1  |

**Note: Please use F hardware to assemble the product to avoid damage to the product.**

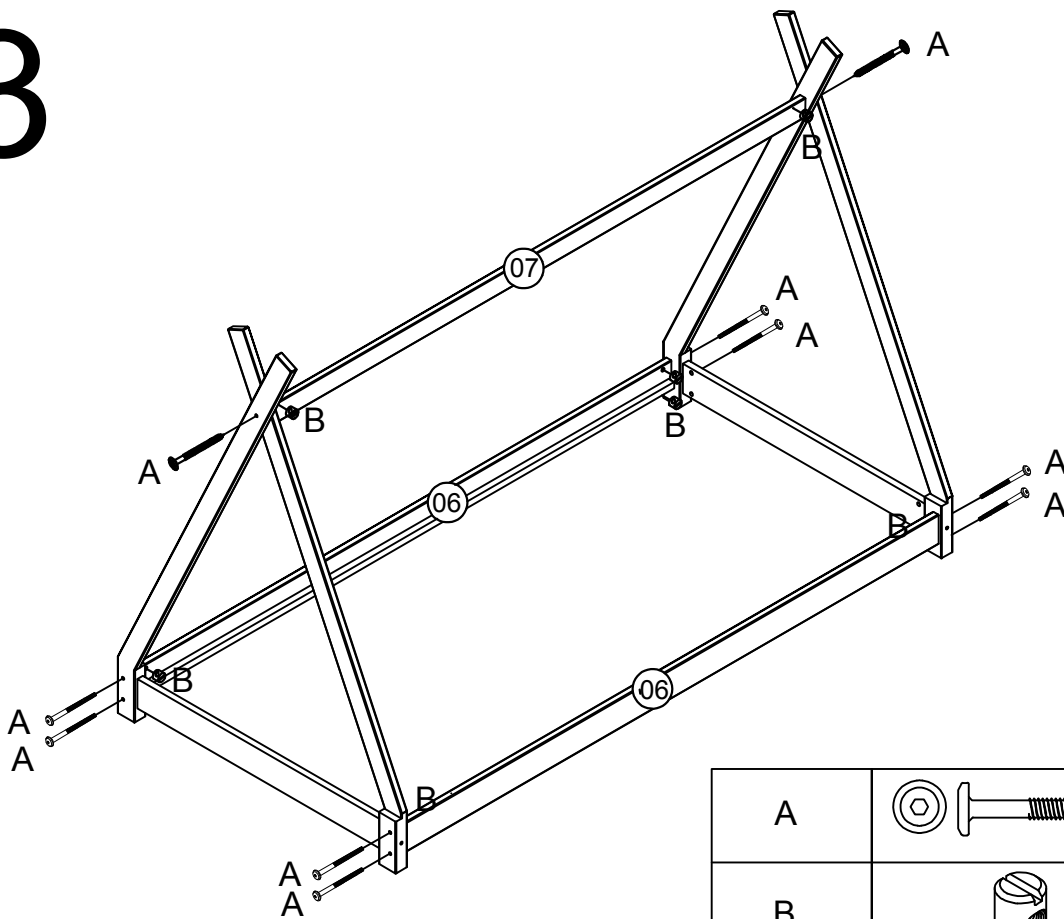


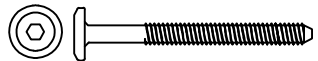

# 2



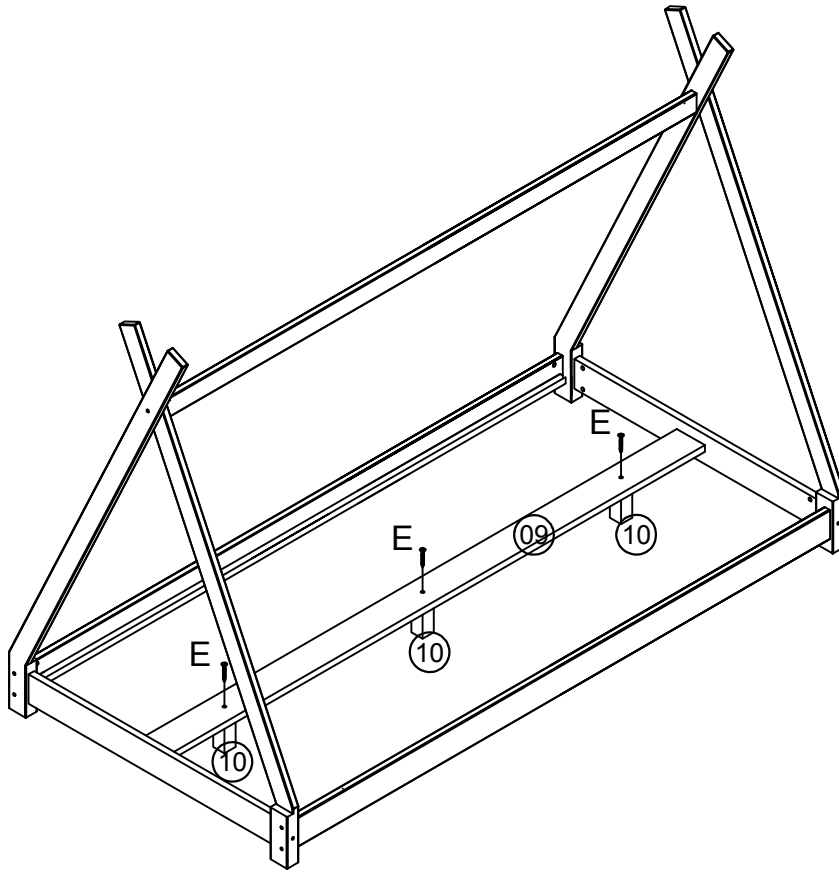
|   |   |   |
|---|---|---|
| A |   | 4 |
| B |  | 4 |


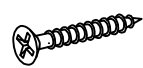
# 3



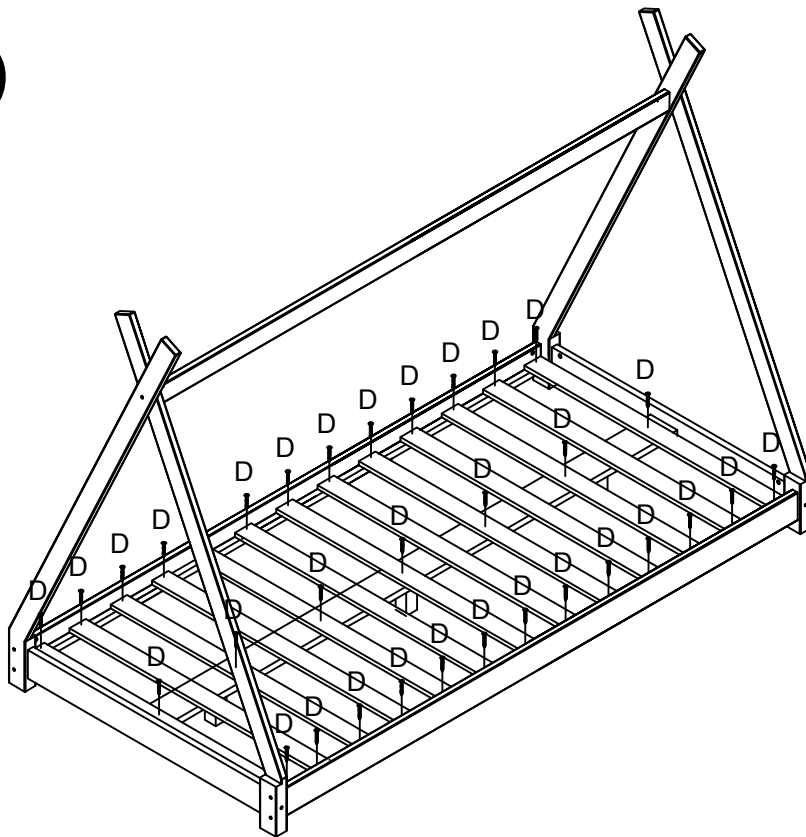
|   |   |    |
|---|---|----|
| A |  | 10 |
| B |  | 10 |

# 4



|   |   |   |
|---|---|---|
| E |   | 3 |
|---|---|---|

# 5



Page 4 of 4

|   |   |    |
|---|---|----|
| D |   | 38 |
|---|---|----|