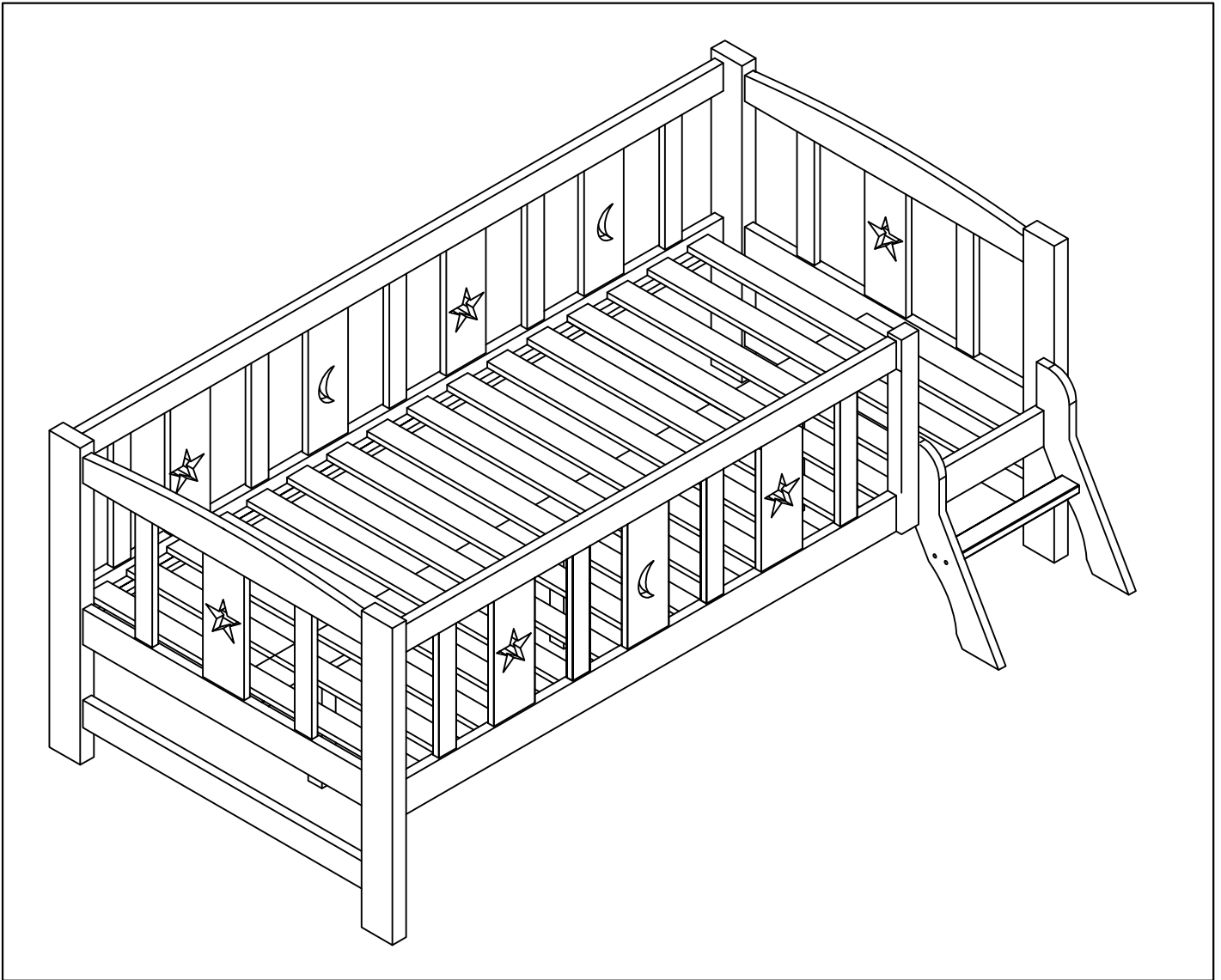







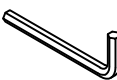
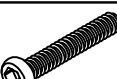




Assemble Instruction

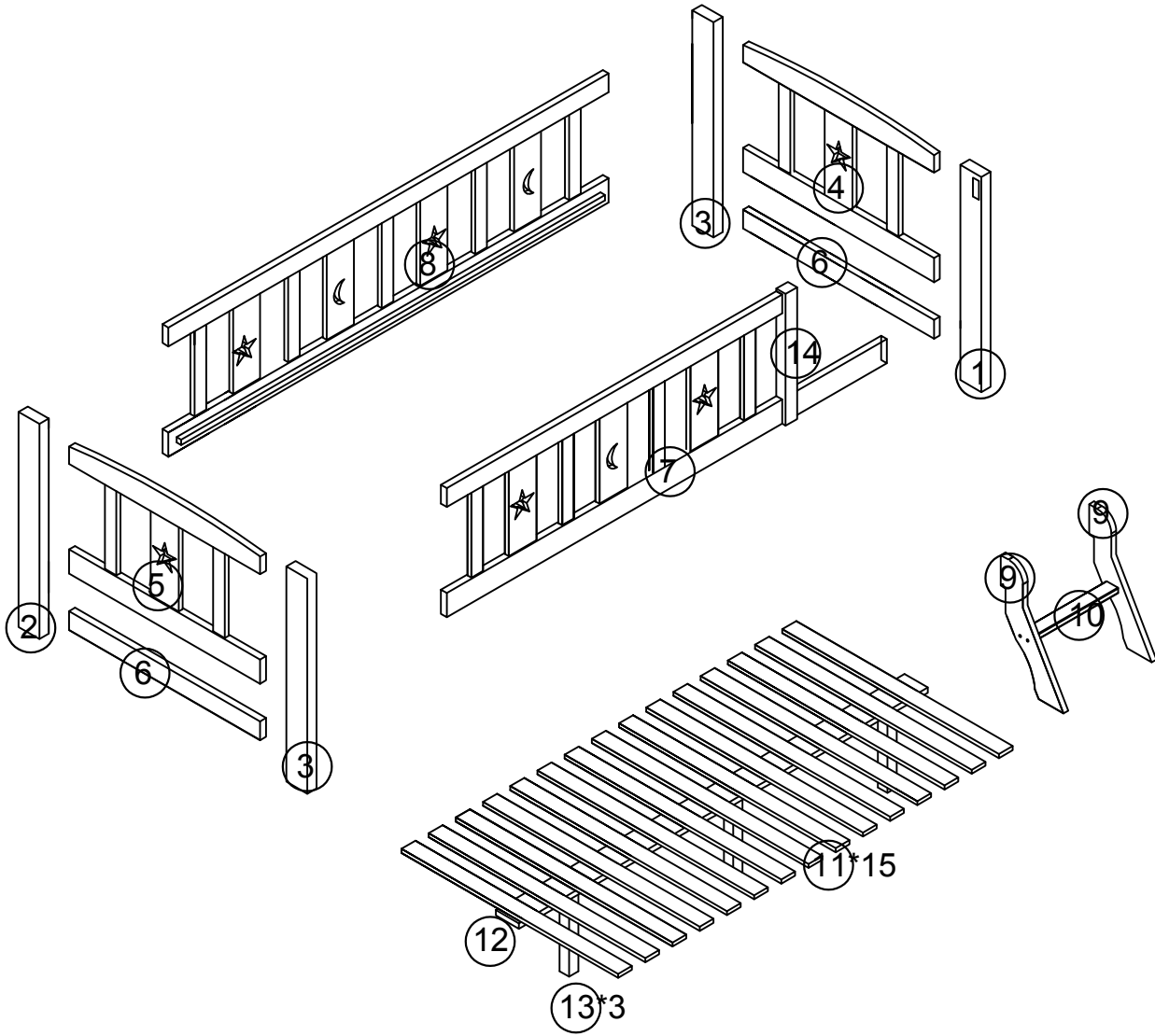


Hardware List

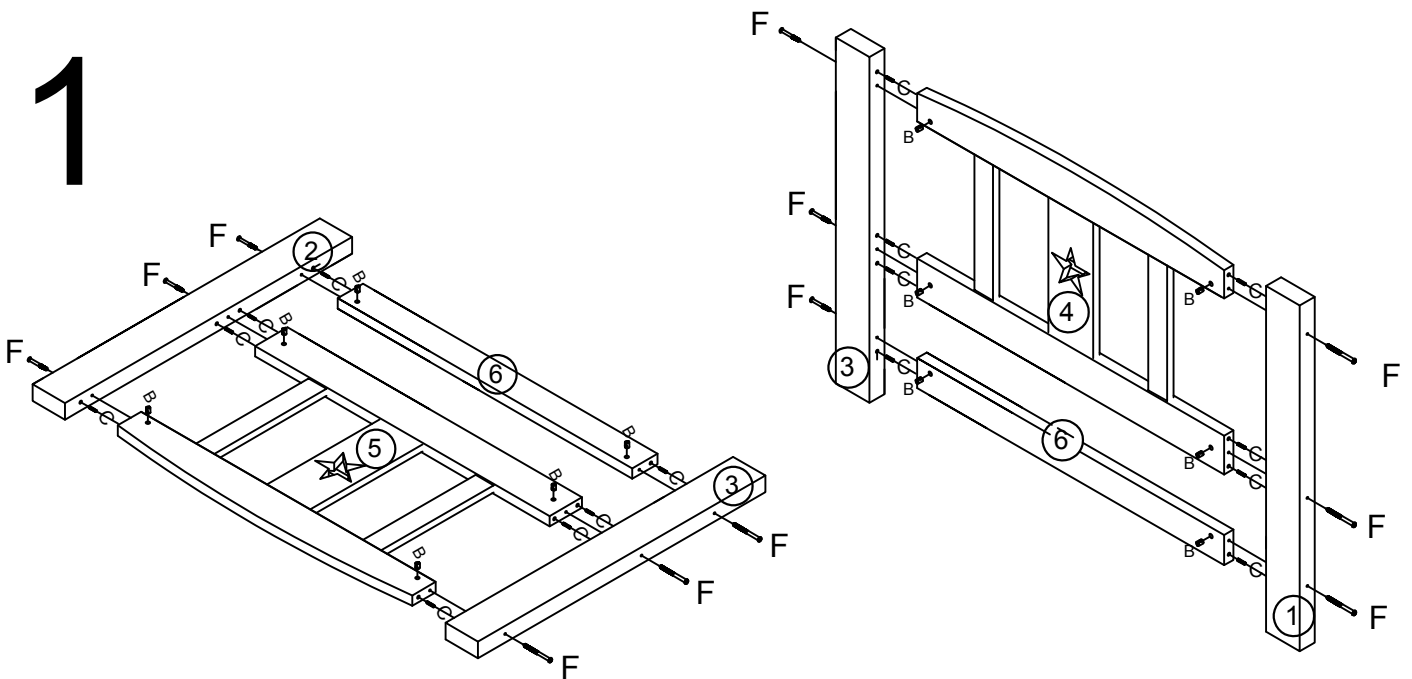
A	 M6*80mm	11	F	 M6*130mm	12
B	 M6	24	G	 M3*30mm	38
C	 M8*40mm	24	H	 M4*35mm	3
D	 M6*50mm	8	J		1
E		2	k		2
L	 M6*90mm	1			

Note: Please use J hardware to assemble the product to avoid damage to the product.

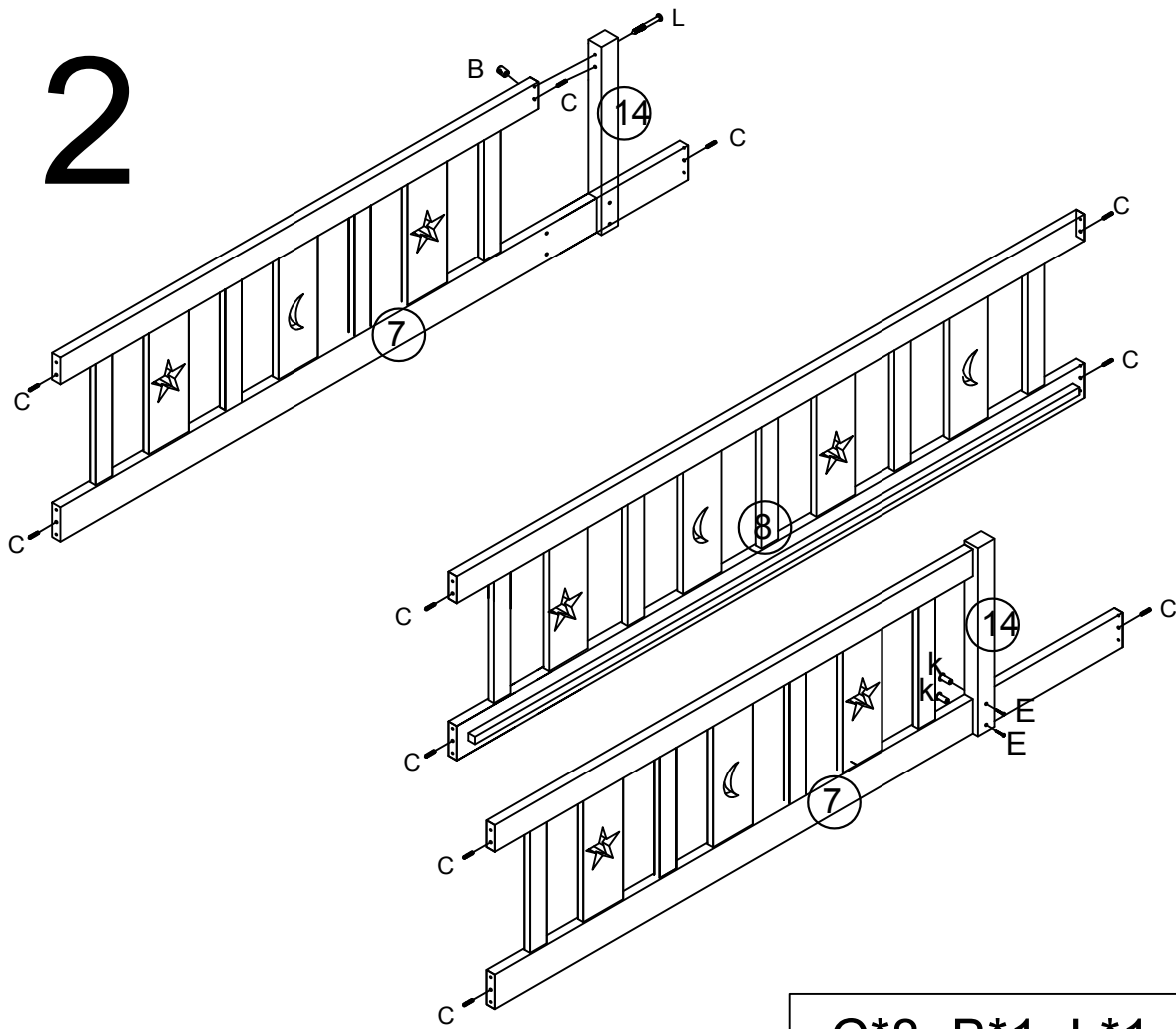
Parts List



1

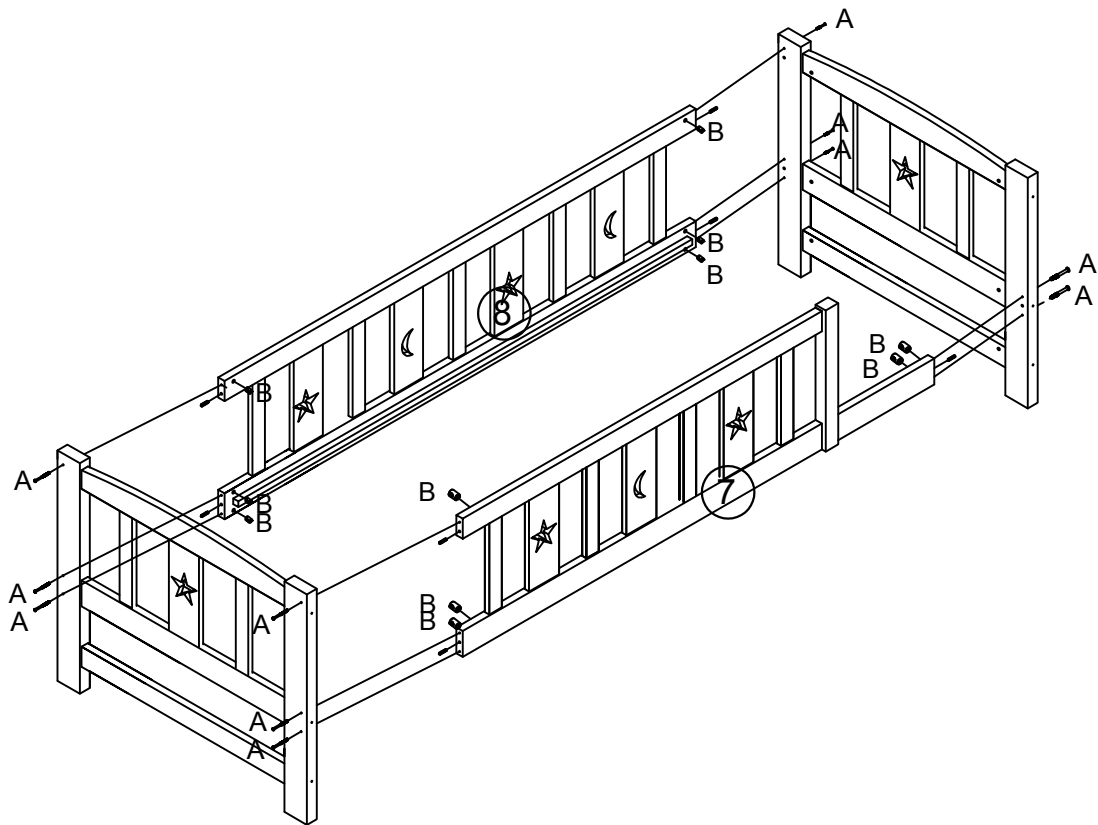


2

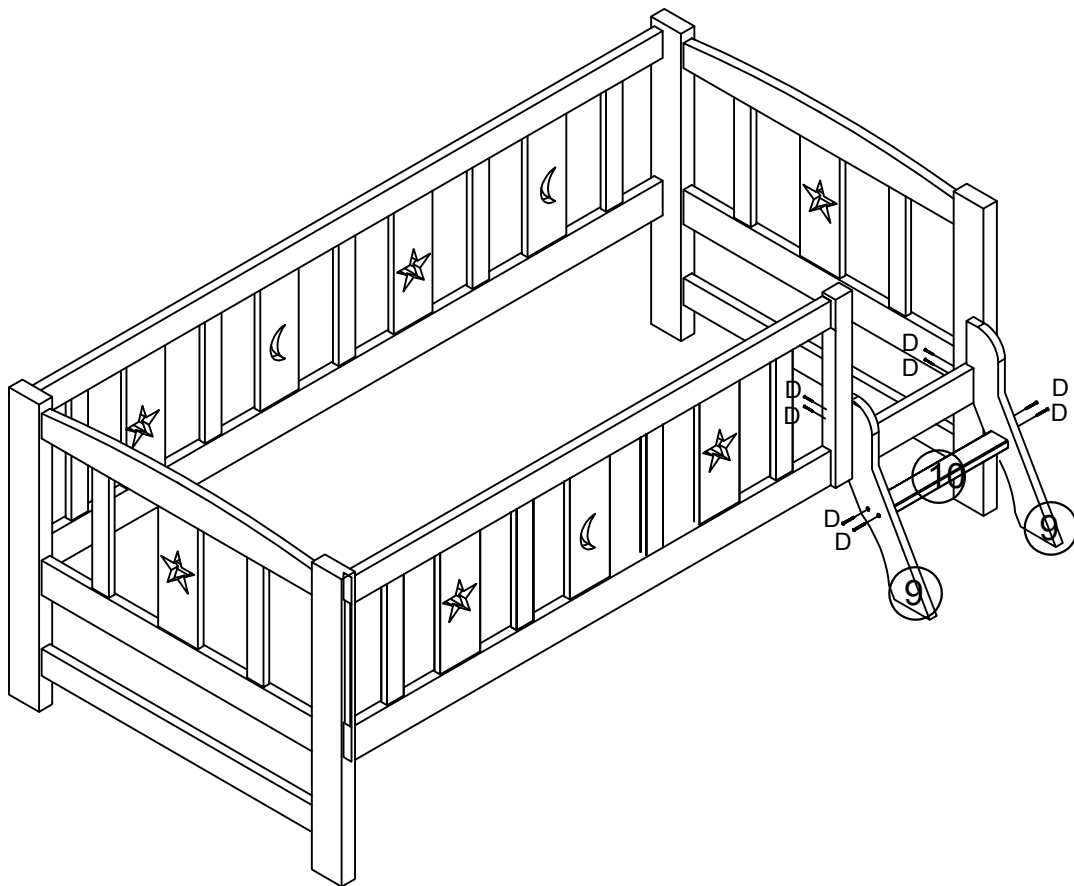


C*8 B*1 L*1 E*2 K*2

3

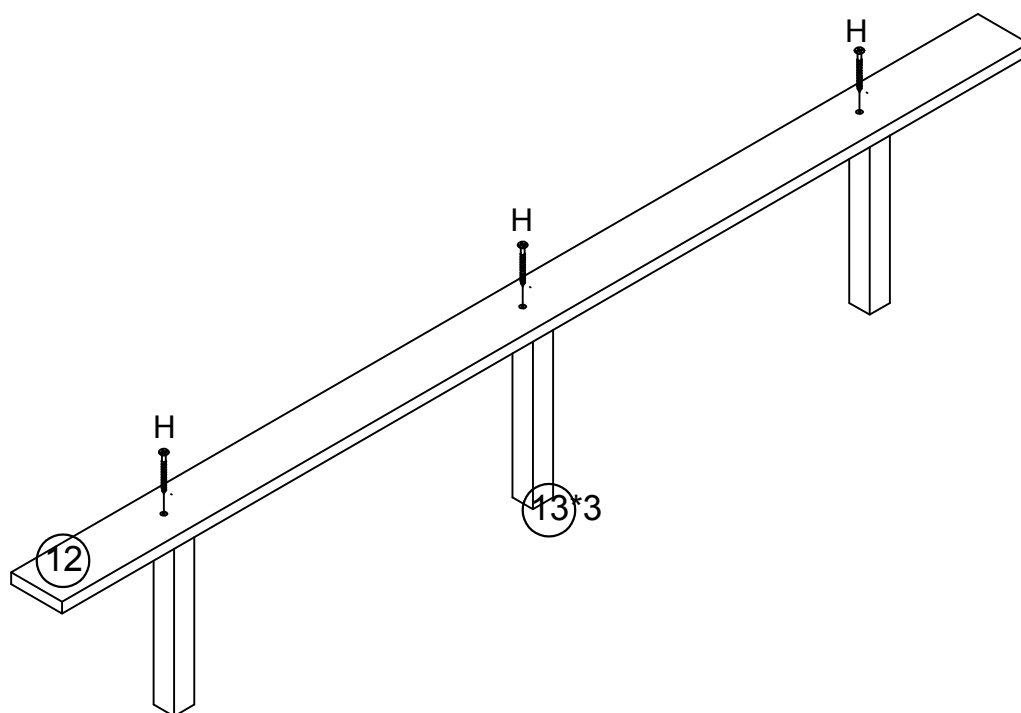


4



D*8

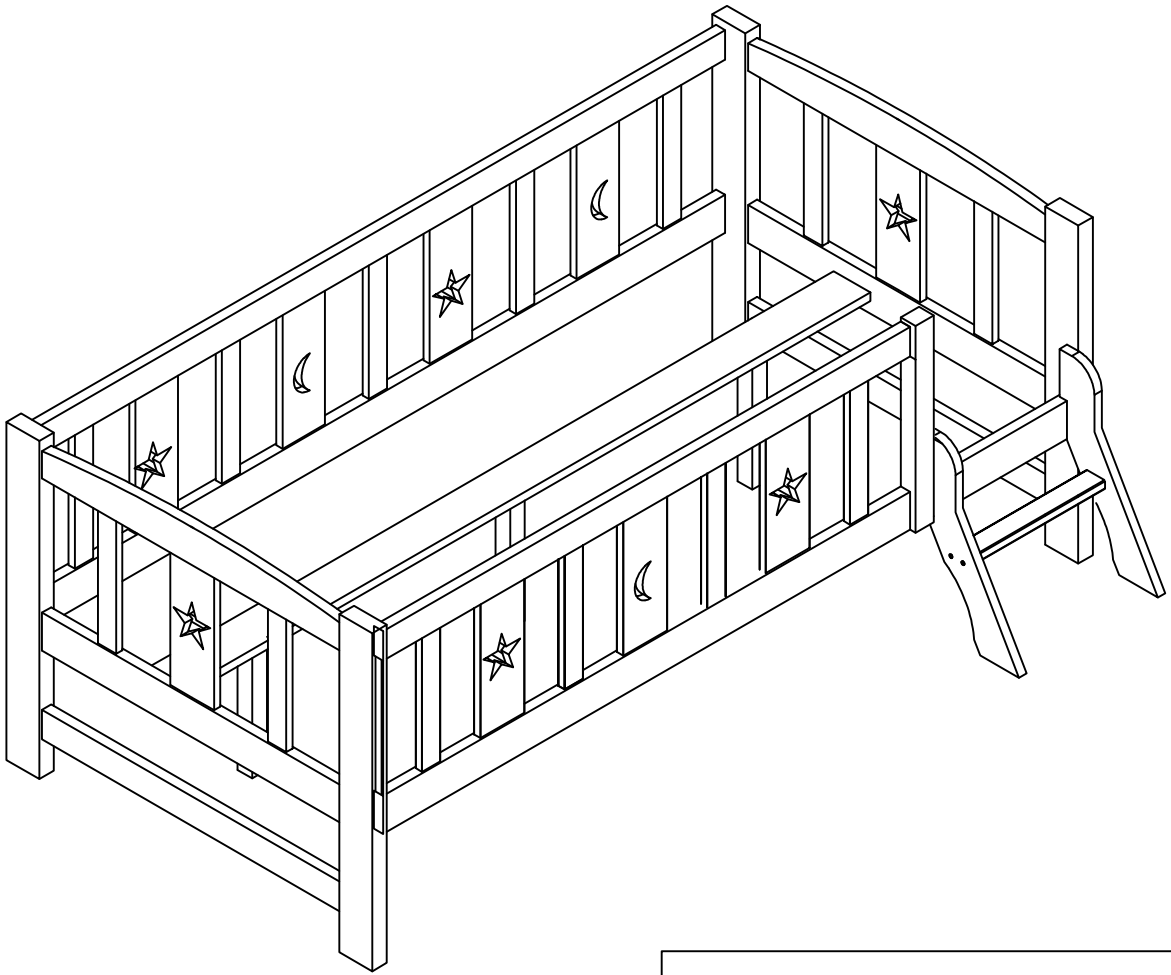
5



Page 4 of 5

H*3

6



7

