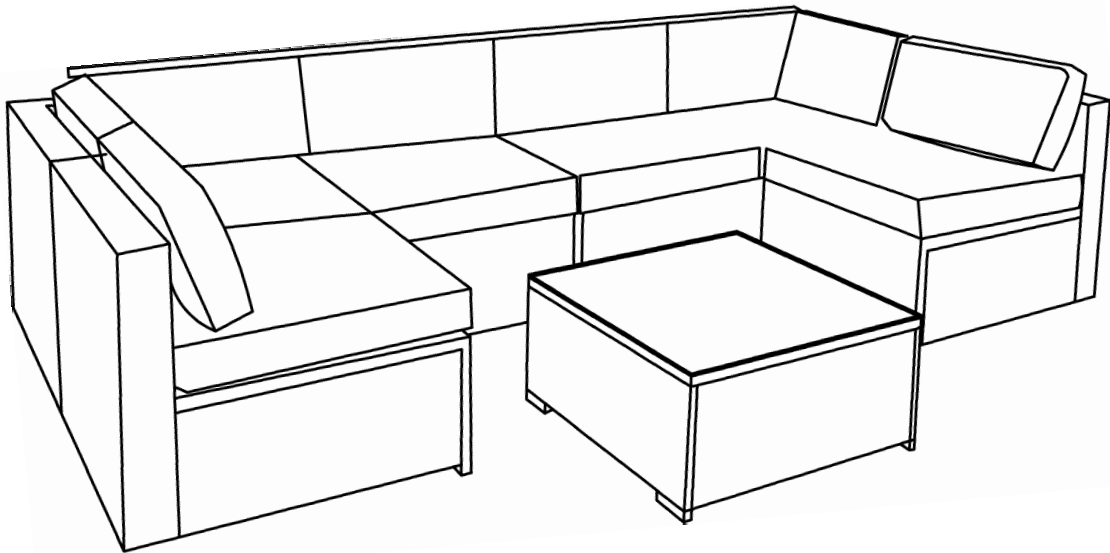
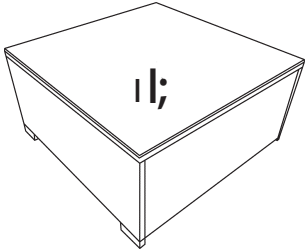


F003

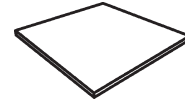


PARTS LIST



1 X Table

A:Table Top



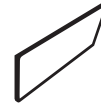
1PC

B:Table frame



2PCS

C:Bracket



2PCS

D:One glass



1PC

E:M6*30 screw

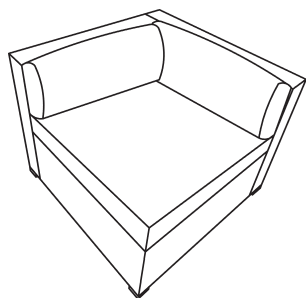


12PCS

F:Install tool



1PC



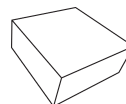
2 X Single person chair

G:Backrest



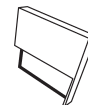
2PCS

H:Sitting surface



2PCS

I:Left Short plate



2PCS

J:M6*30 screw



22PCS

K:Base cushion



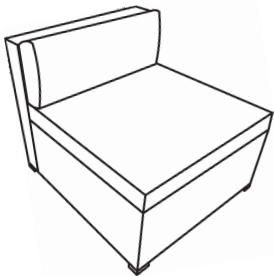
2PCS

L:Back cushion



4PCS

PARTS LIST



4 X Single person chair

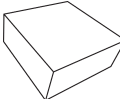


M:Backrest



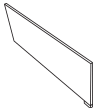
4PCS

N:Sitting surface



4PCS

O:Left Short plate



4PCS

J:M6*30 screw



40PCS

K:Base cushion



4PCS

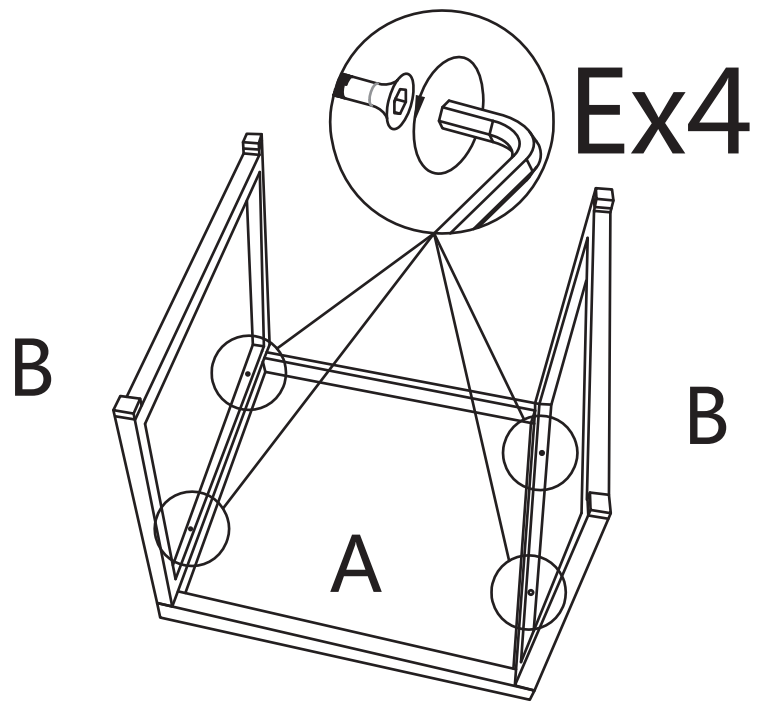
L:Back cushion



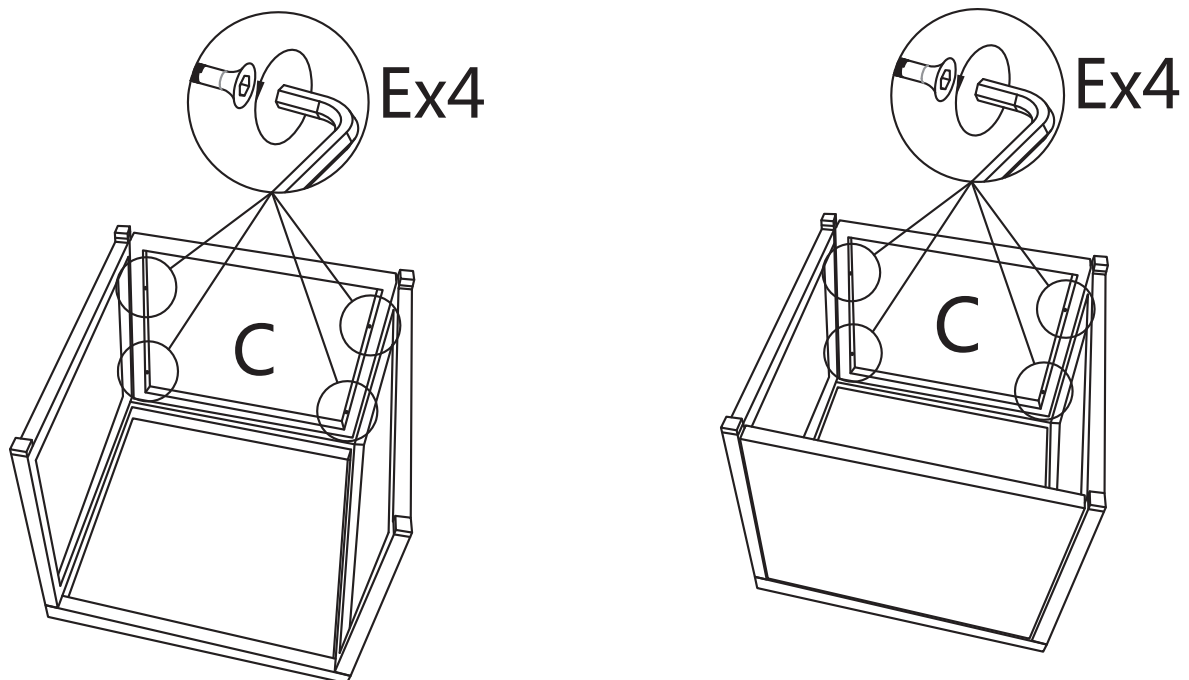
4PCS

PARTS LIST

Step 1

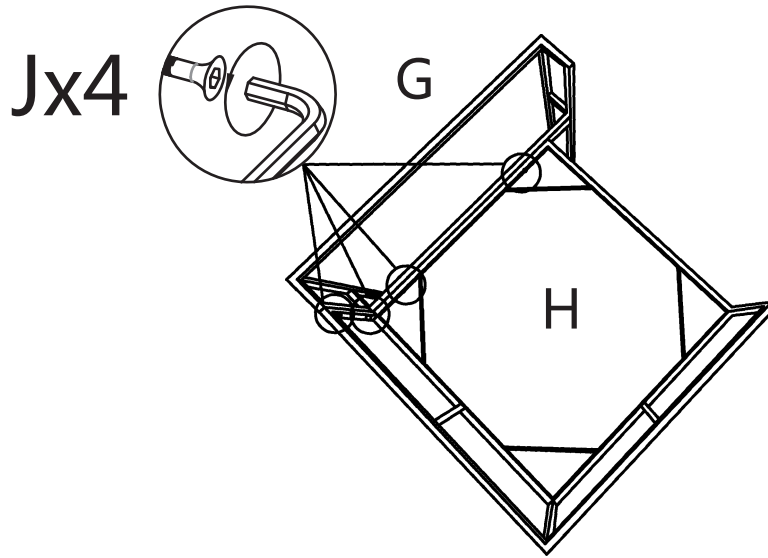


Step 2

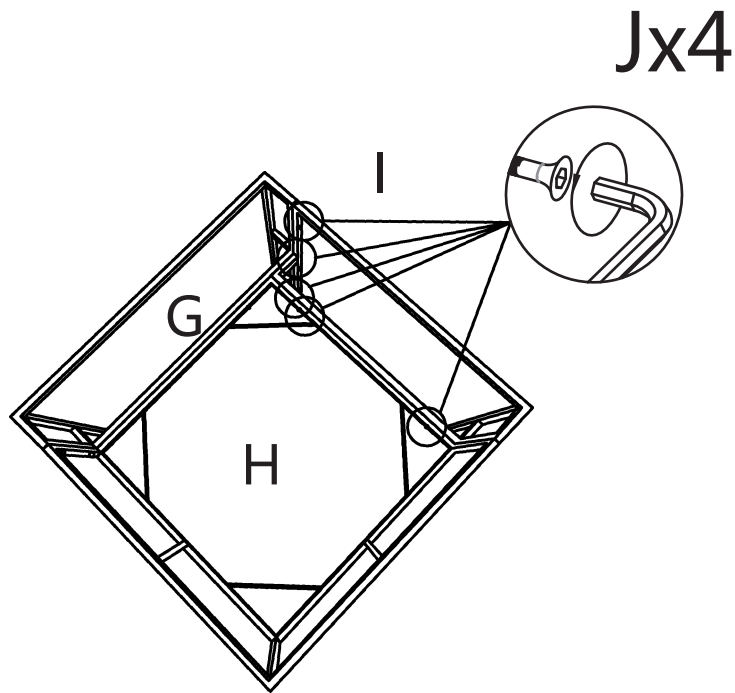


PARTS LIST

Step 1

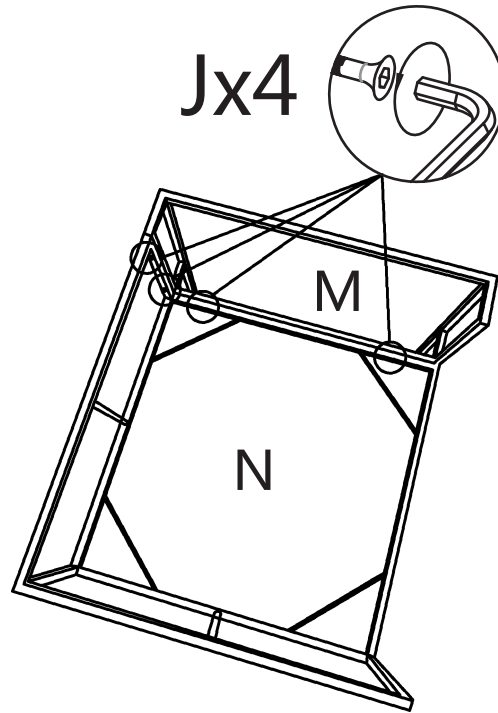


Step 2

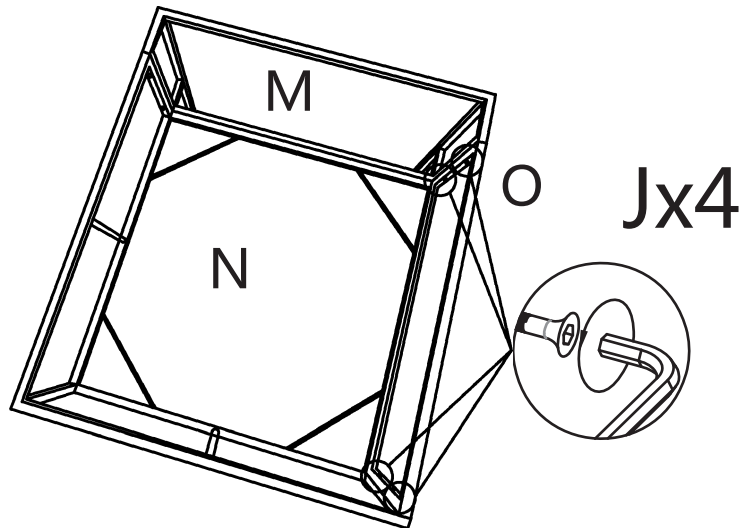


PARTS LIST

Step 1

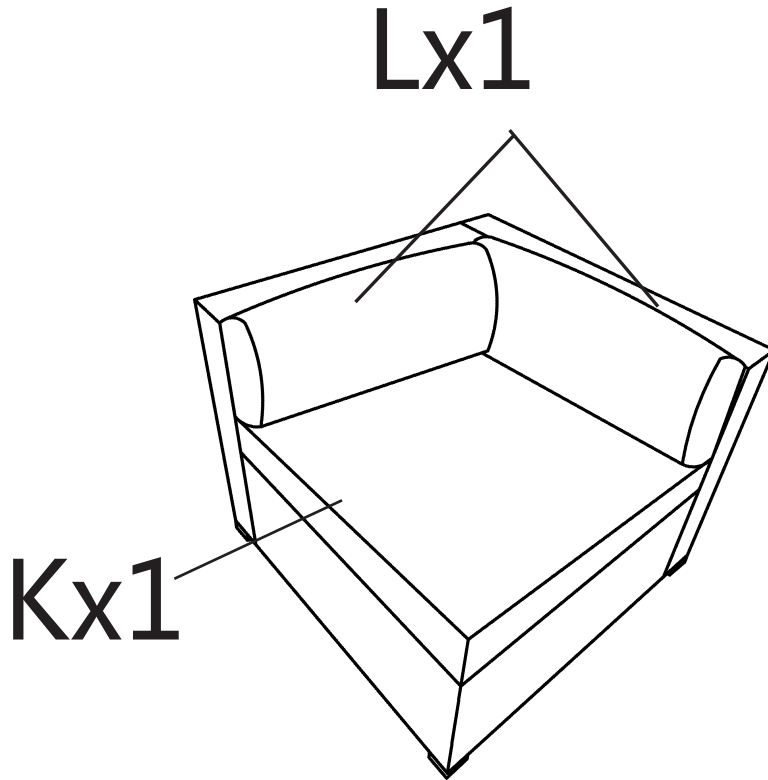


Step 2

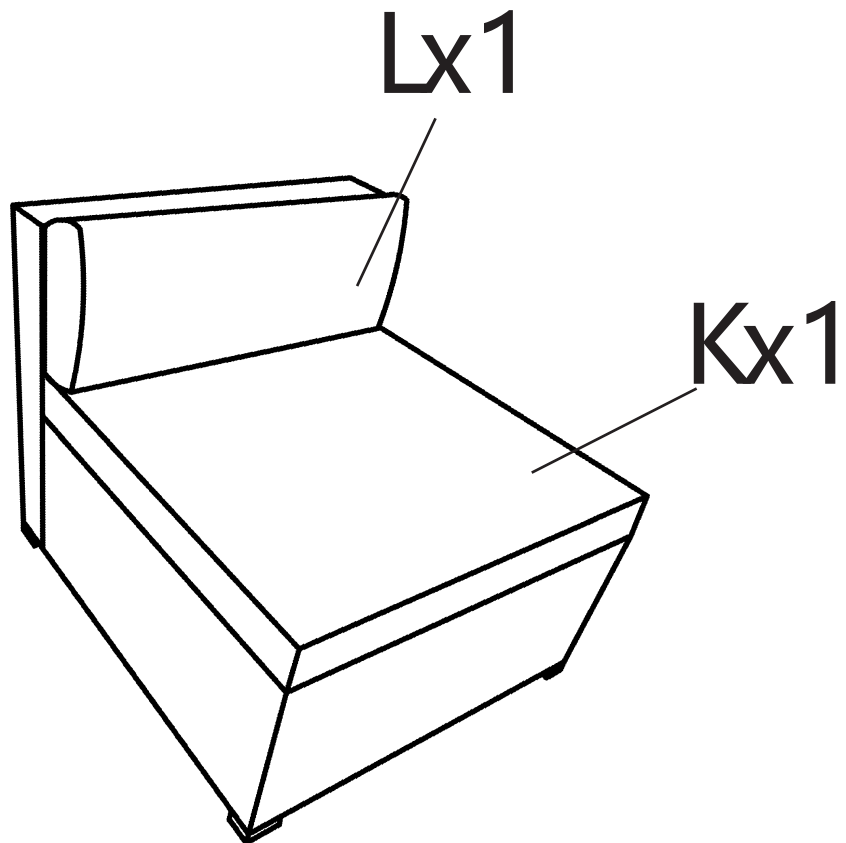


PARTS LIST

Step 1



Step 2



PARTS LIST

Step 3

Dx1

