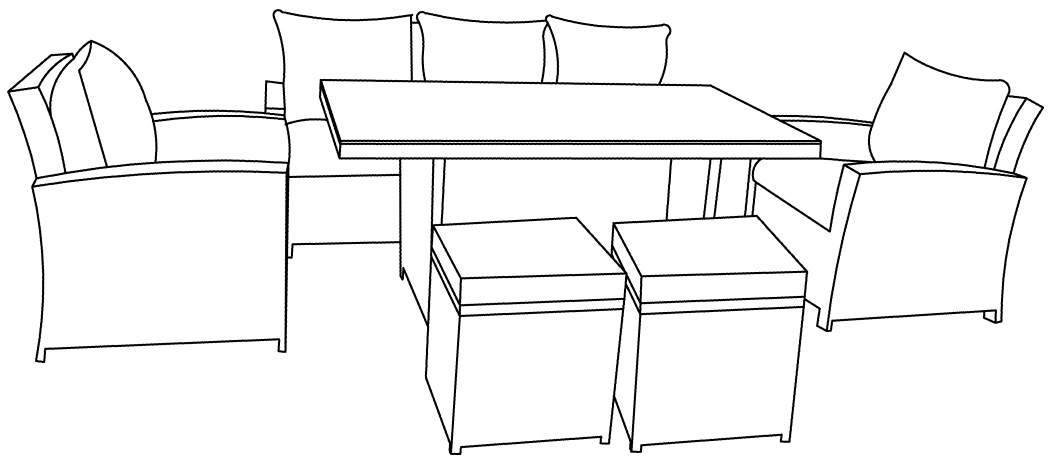
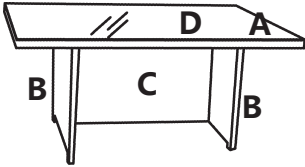


F003



PARTS LIST



1 X Table

A:Scerw

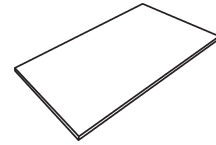
B:Table frame

C:One bracket

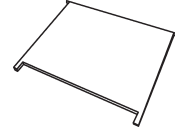
D:One glass

E:M6*20 screw

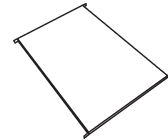
F: Install



1PC



2PCS



1PC



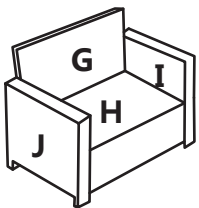
1PC



8PC



1PC



2 X Single person chair

G:Backrest

H:Sitting surface

I:Left Short plate

J:Right Short plate

K:M6*30 screw

L:Base cushion

M:Back cushion



2PC



2PC



2PC



2PC



32PCS

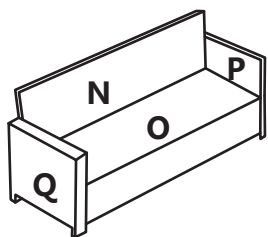


2PC



2PC

PARTS LIST



1 X Three person chair

N:Backrest



1PC

O:Sitting surface



1PC

P:Left Short plate



1PC

Q:Right Short plate



1PC

K:M6*30 screw



16PCS

S:Base cushion

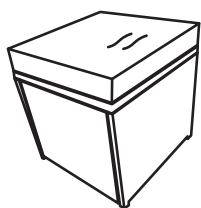


1PCS

T:Back cushion

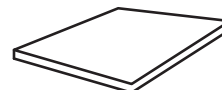


3PCS



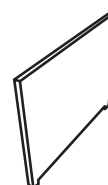
2 X Footstool

U:Sitting surface



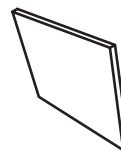
2PCS

V:Foot panel



4PCS

W:No foot panel



4PCS

X:M6*30 screw



16PCS

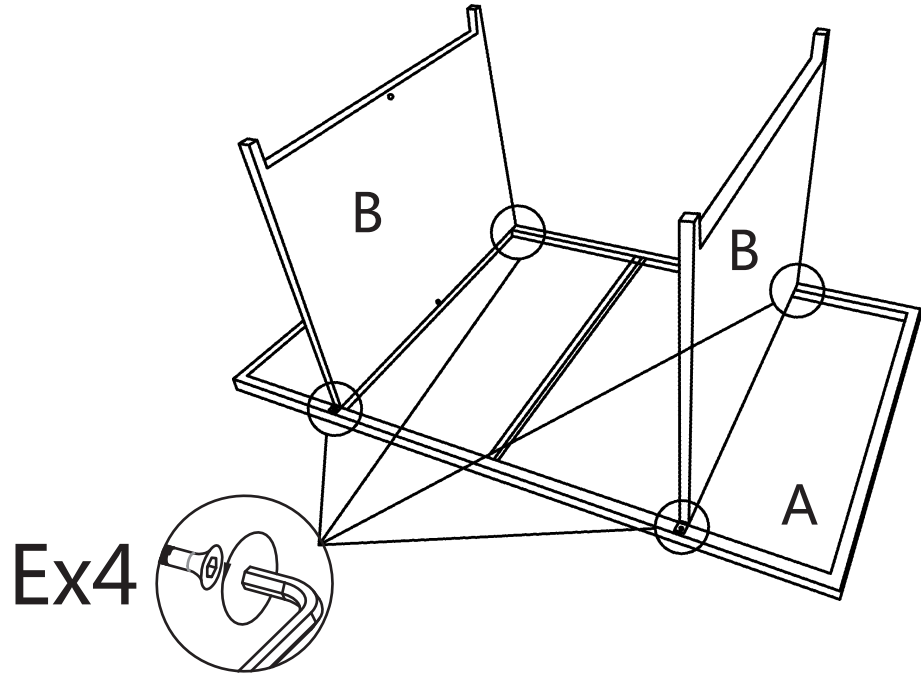
Y:Seat Cushion



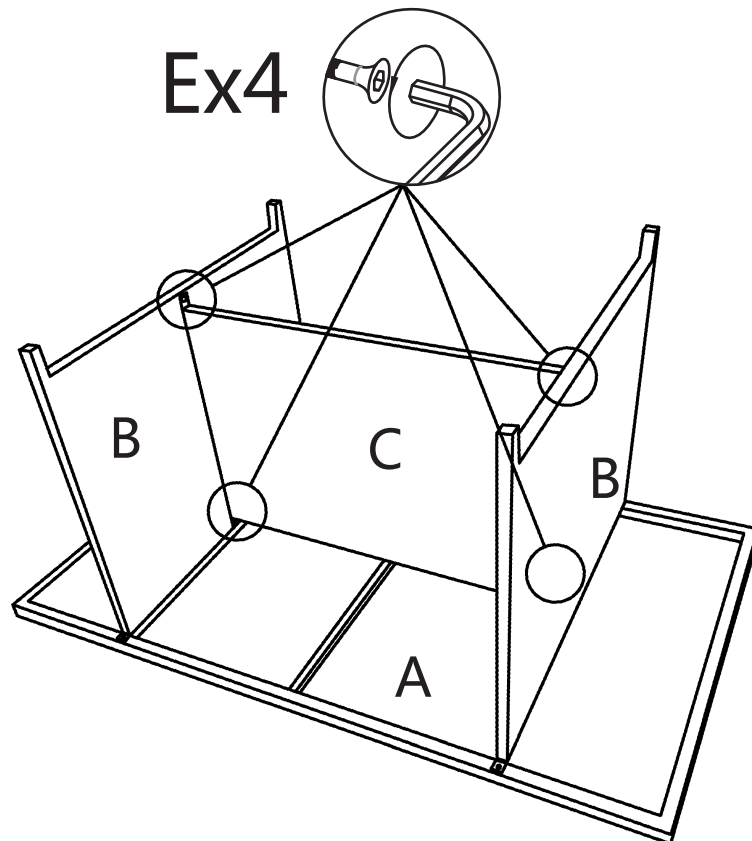
2PCS

PARTS LIST

Step 1

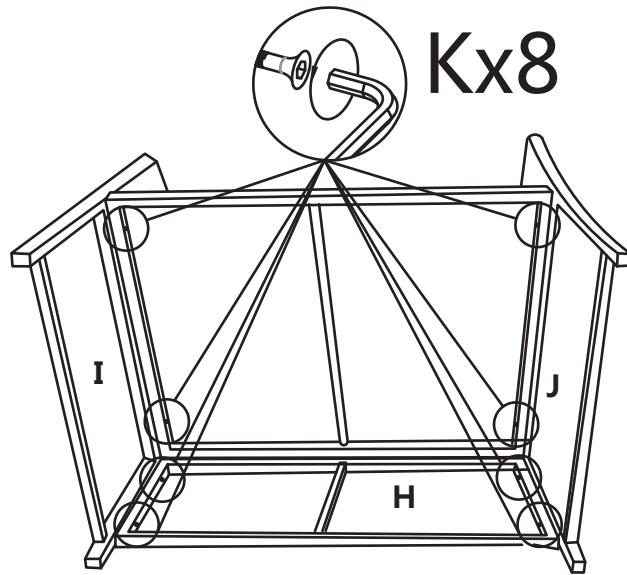


Step 2

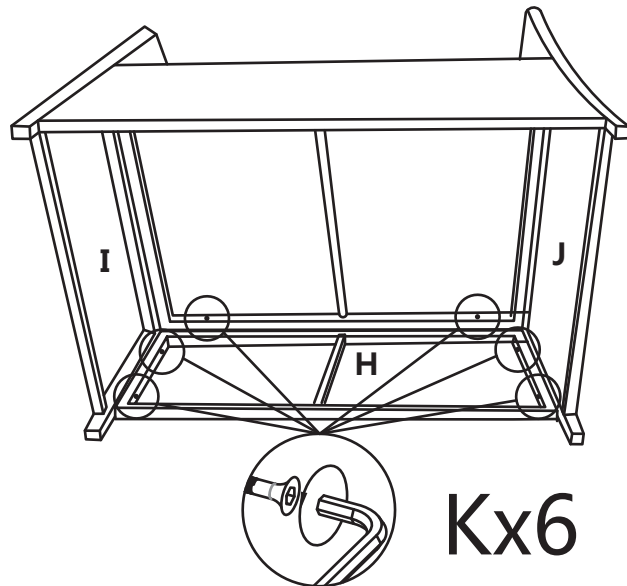


PARTS LIST

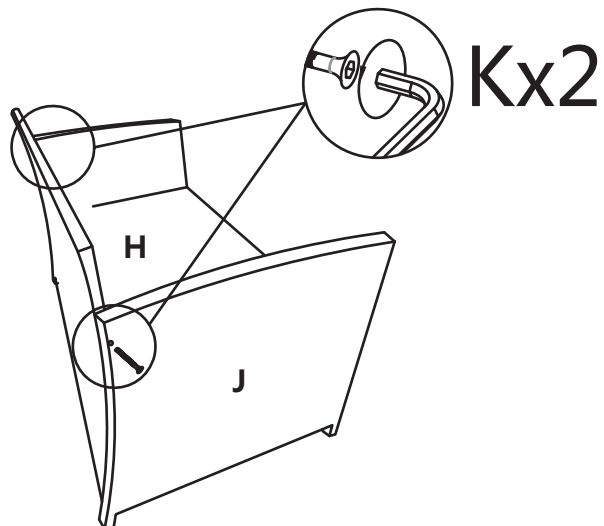
Step 1



Step 2

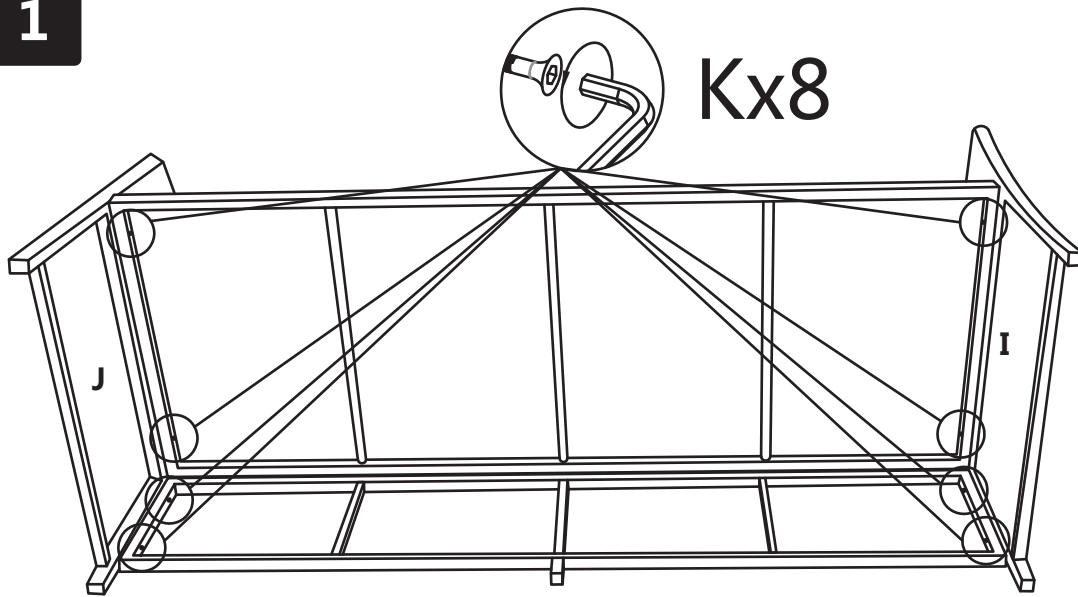


Step 3

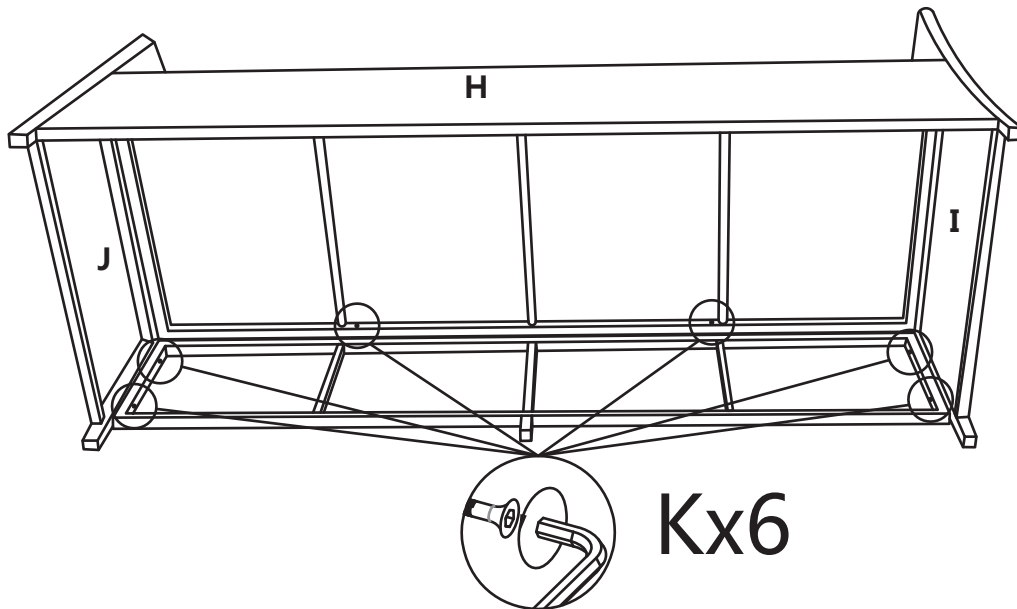


PARTS LIST

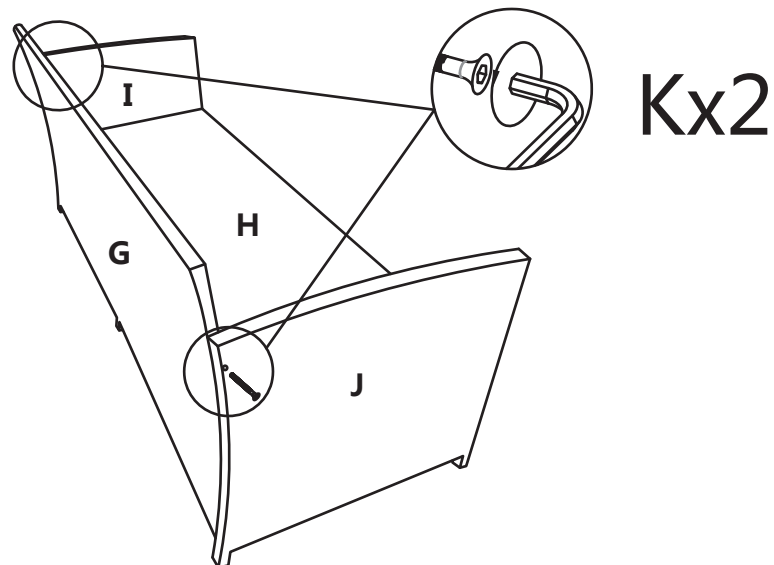
Step 1



Step 2

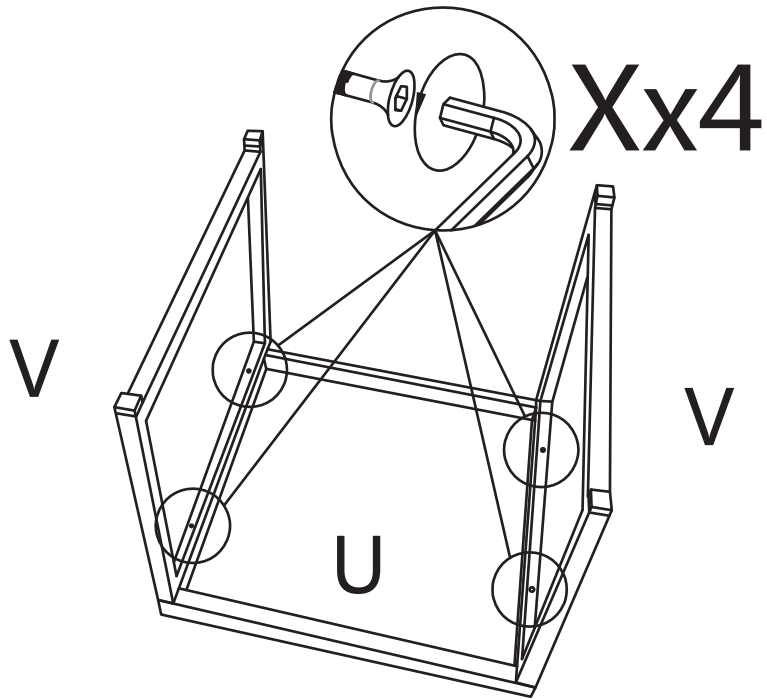


Step 3

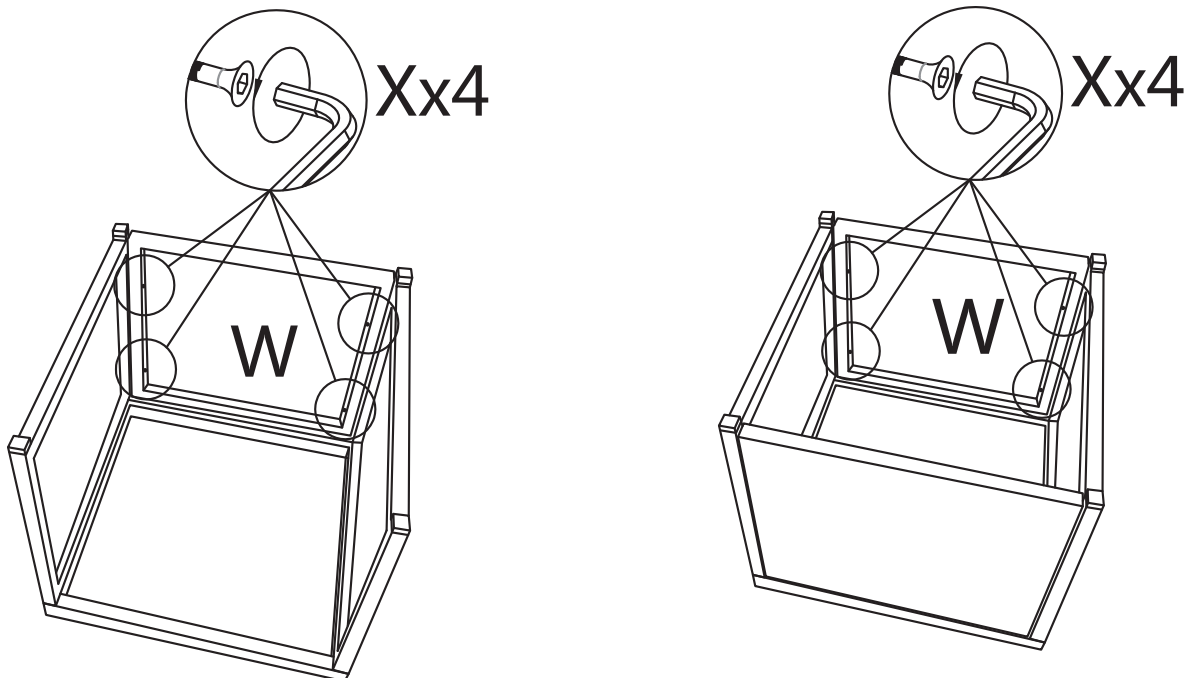


PARTS LIST

Step 1

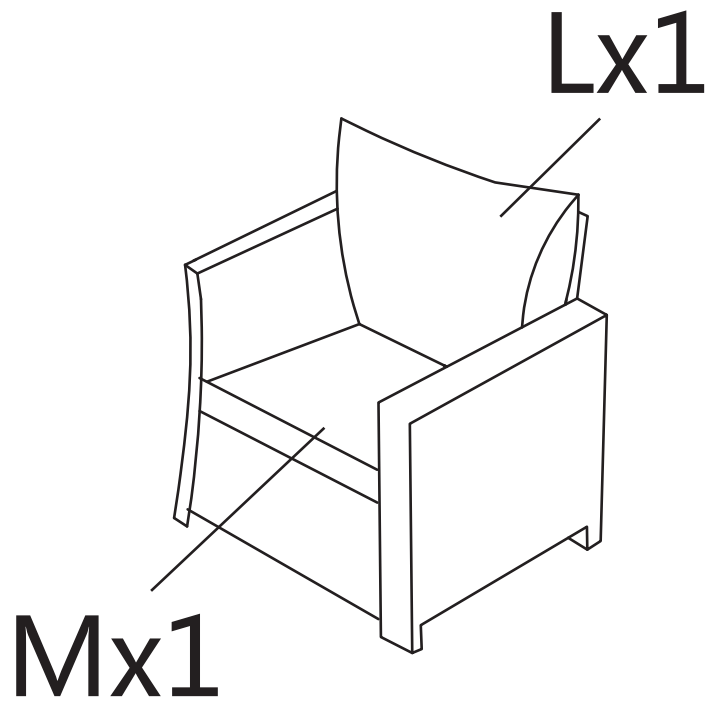


Step 2

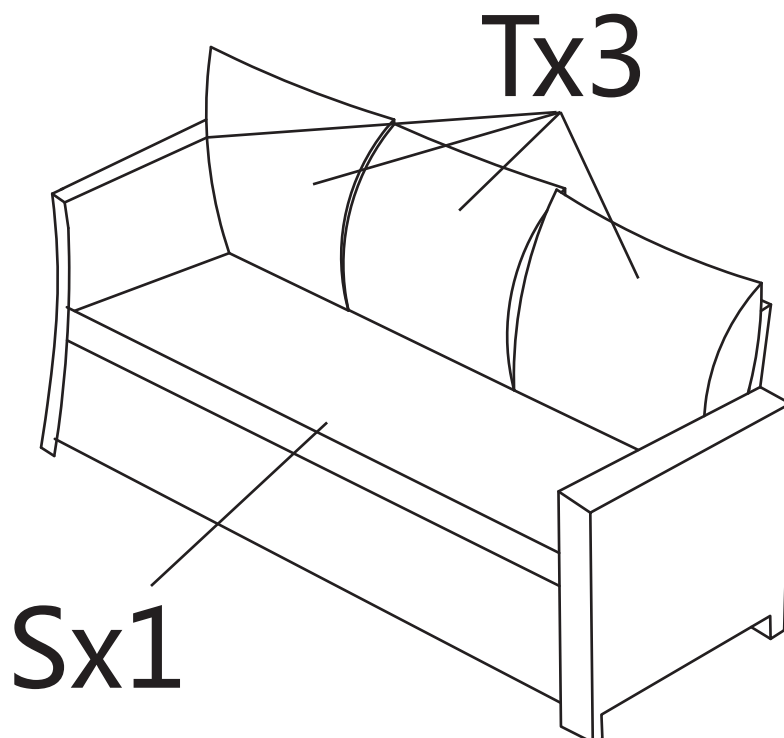


PARTS LIST

Step 1



Step 2



PARTS LIST

Step 3

Yx1

