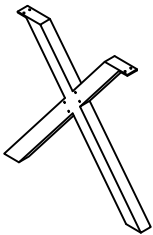
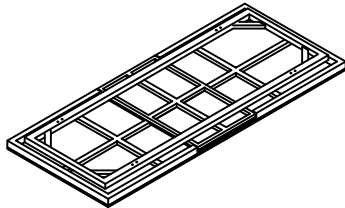


INSTALLATION STEPS

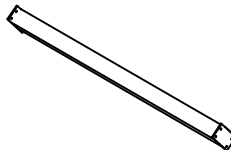
A X2PCS



B X1PC



C X1PC

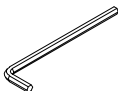


D X16PCS

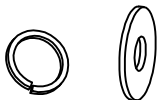


$\frac{1}{4} \times 20$

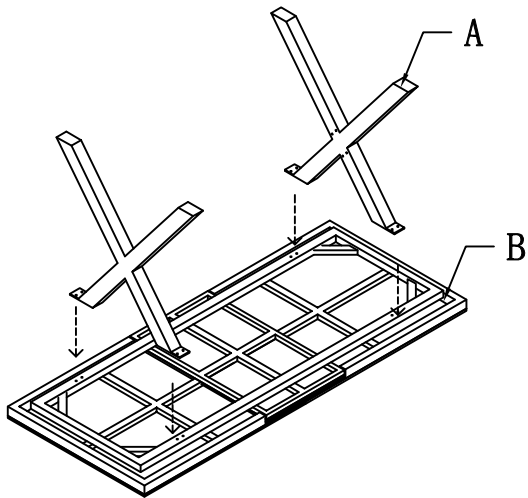
E X1PC



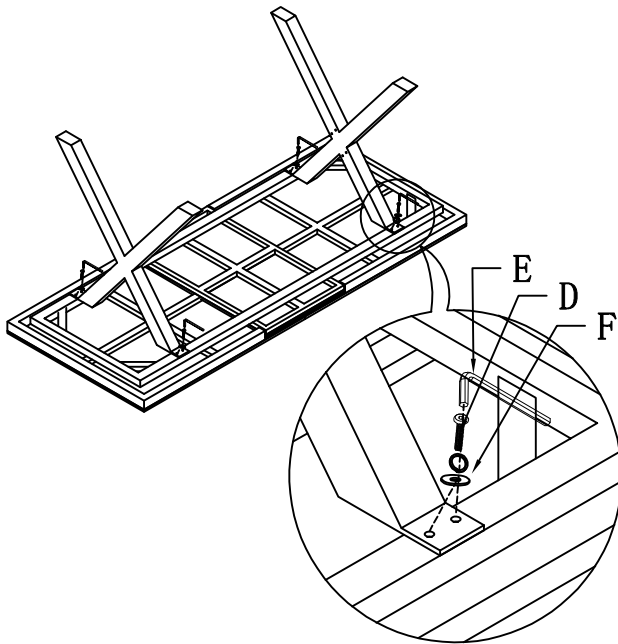
F X16PCS



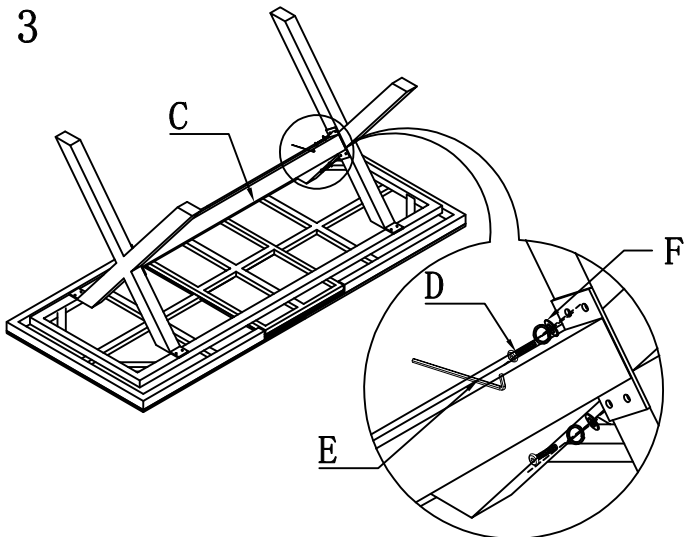
1



2



3



4

