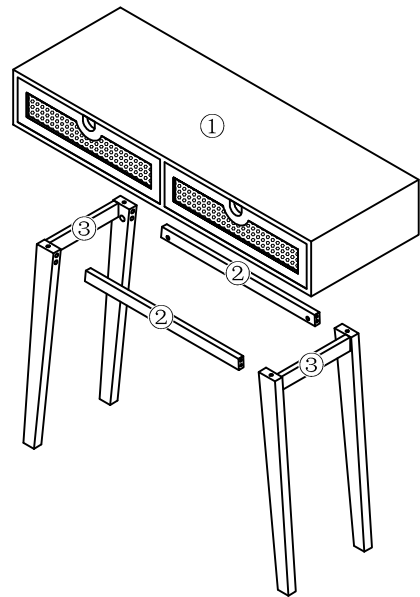
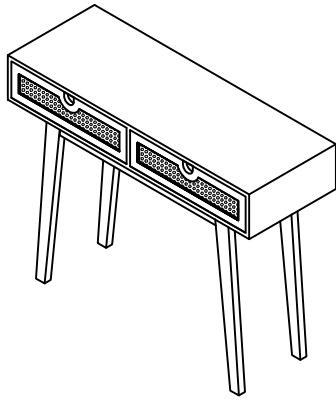
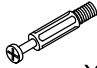











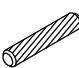
ASSEMBLY INSTRUCTIONS

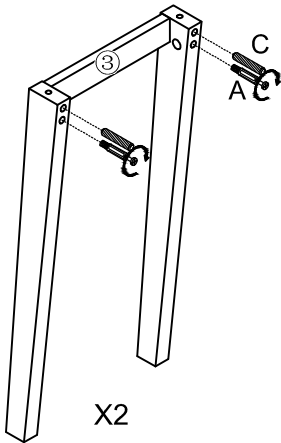
PART LIST





A  X4	B  X4	C  X4	D  X4
E  X4	F  X1	G  X2	H  X2
I  X4			

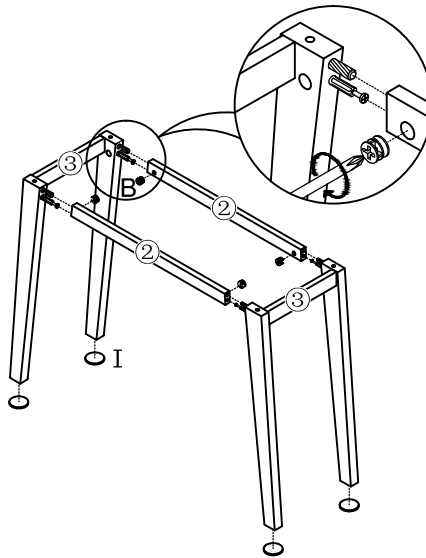
STEP 1

A  X4	C  X4
--	--

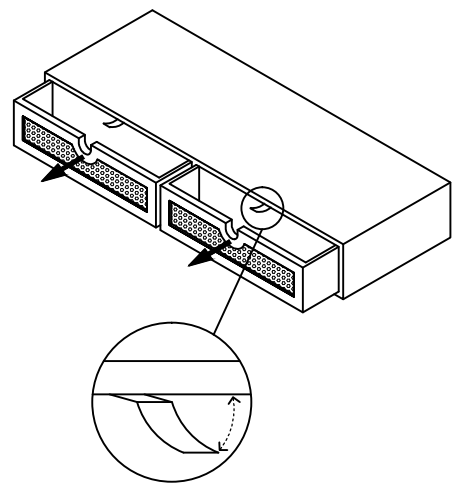


STEP 2

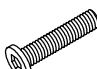
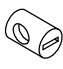
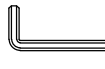
B  X4	I  X4
--	--



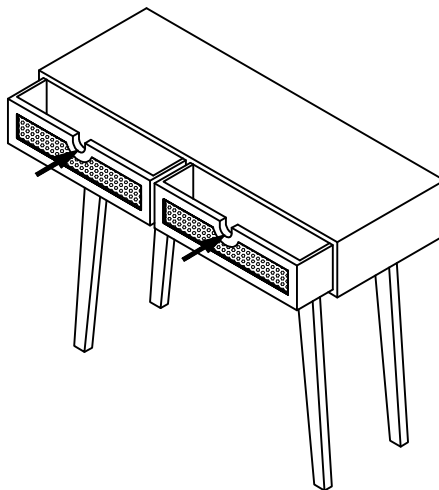
STEP 3





STEP 4

D  X4	E  X4	F  X1
--	--	--

STEP 5



STEP 6

G  X2	H  X2
--	--

