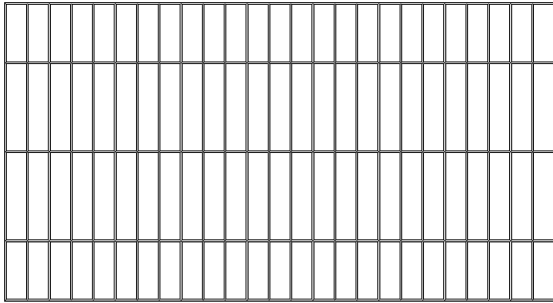
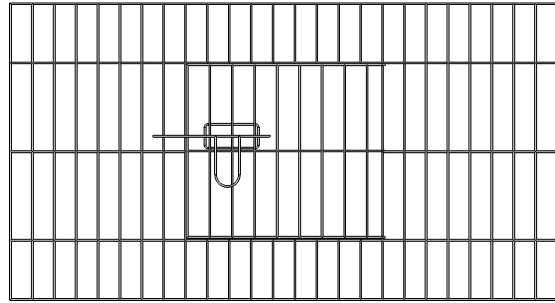


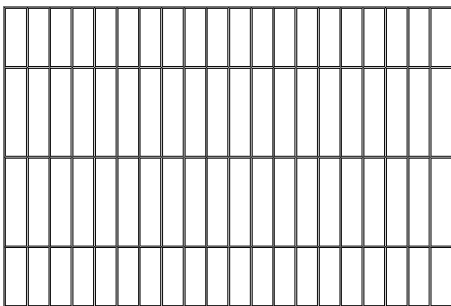
**PART LIST**



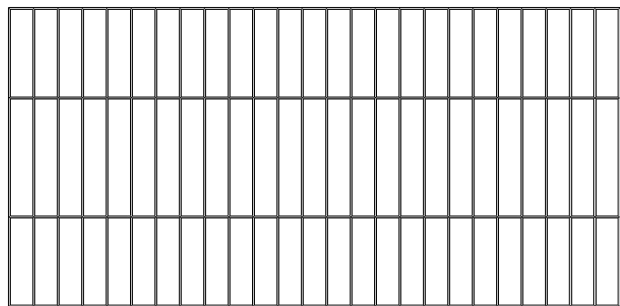
**1x2PCS** length mesh panel



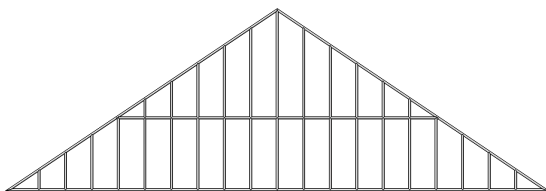
**2x2PCS** with door mesh panel



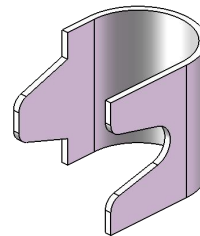
**3x2PCS** width panel



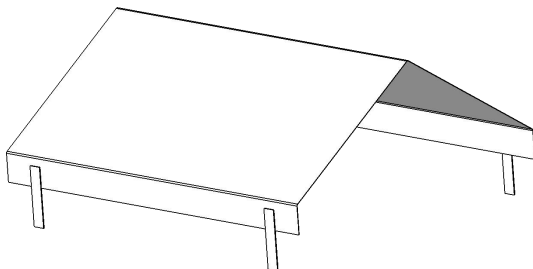
**4x4PCS** roof mesh panel



**5x2PCS** roof mesh panel

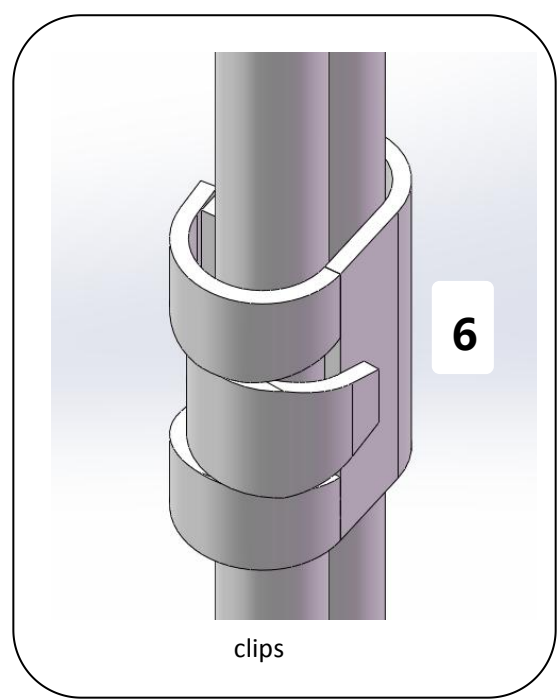
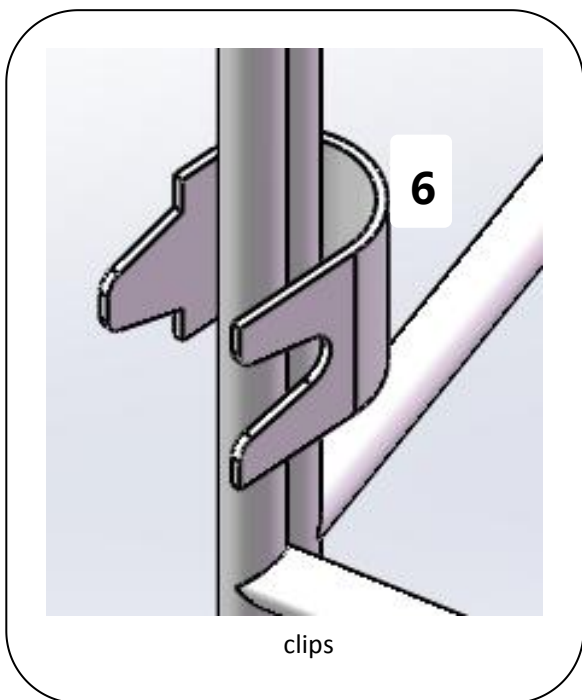
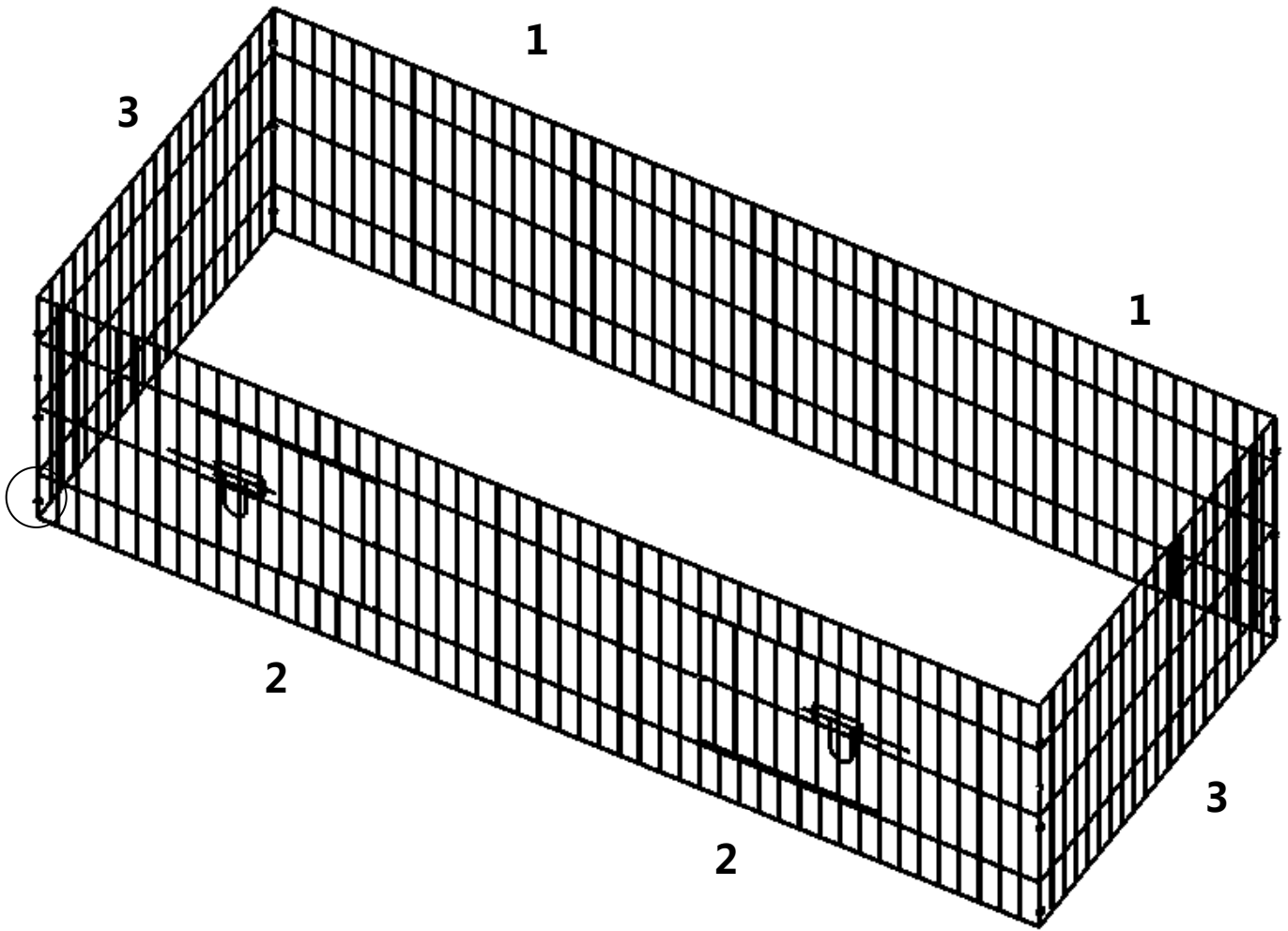


**6** clips

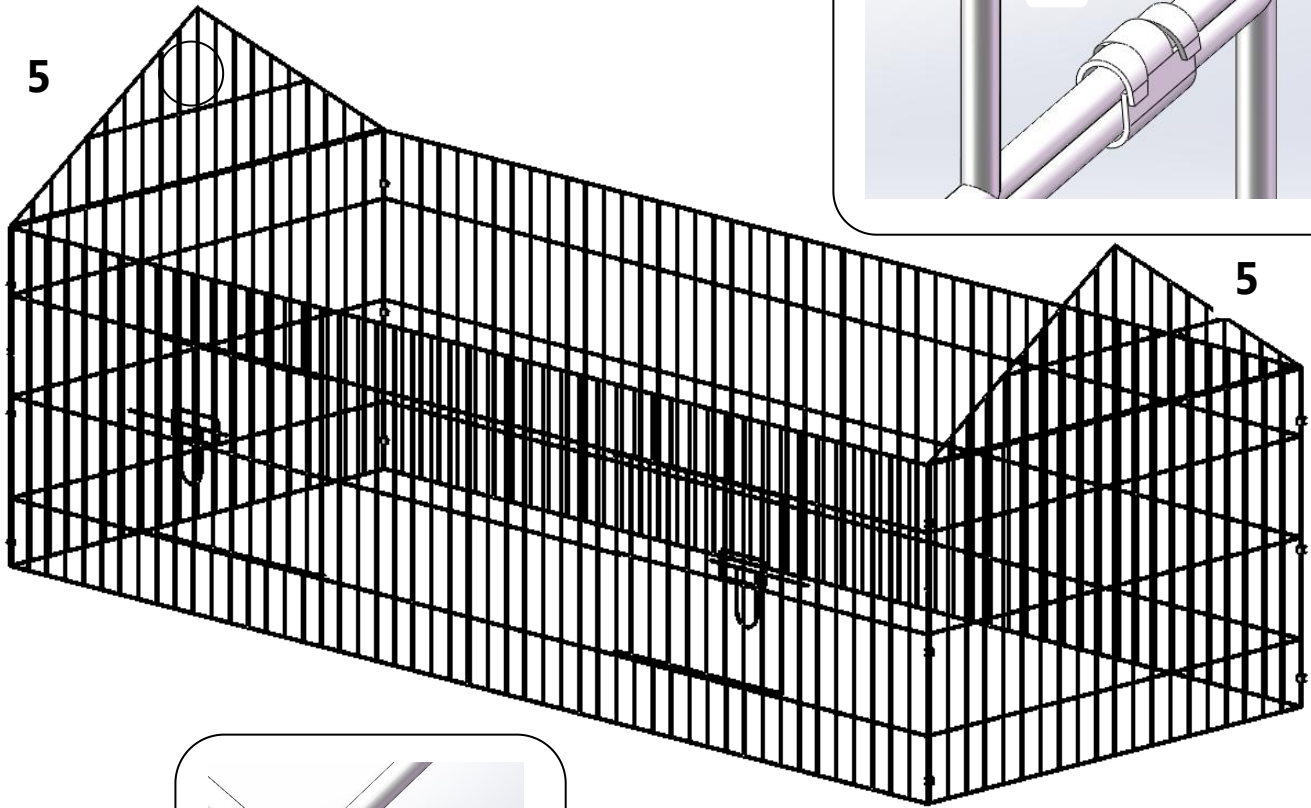


**7x1PCS** roof cloth

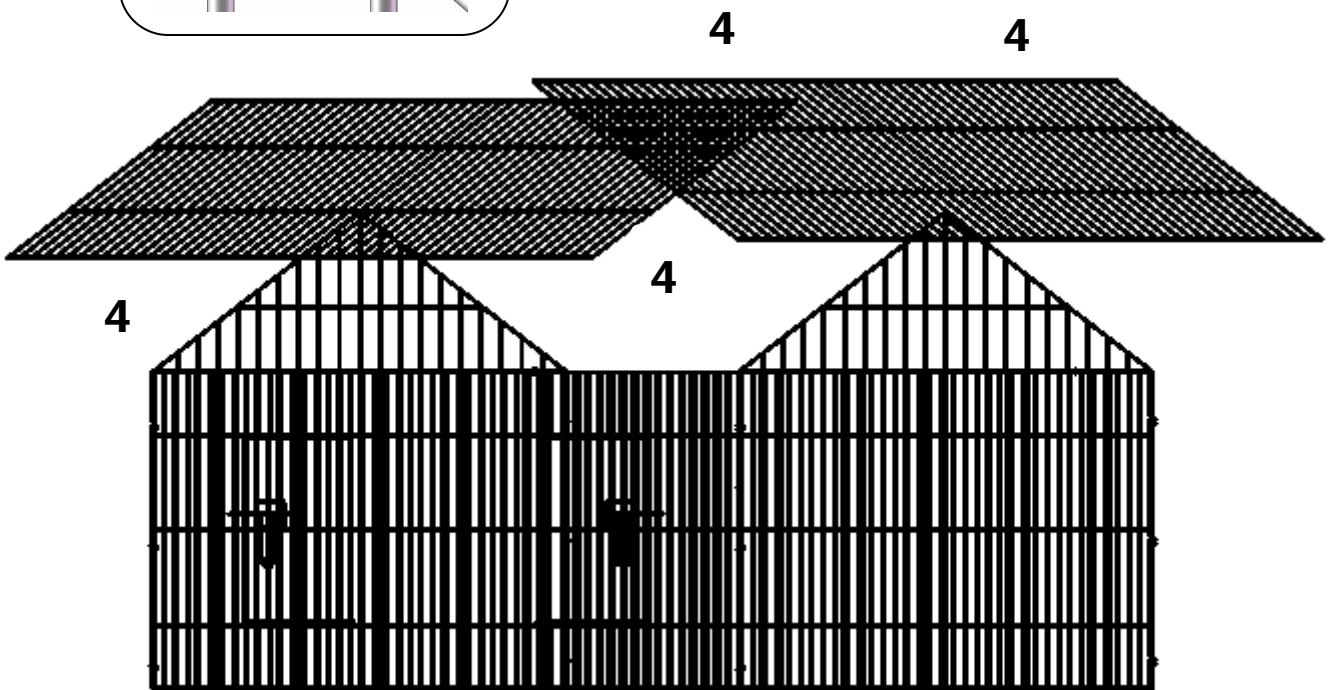
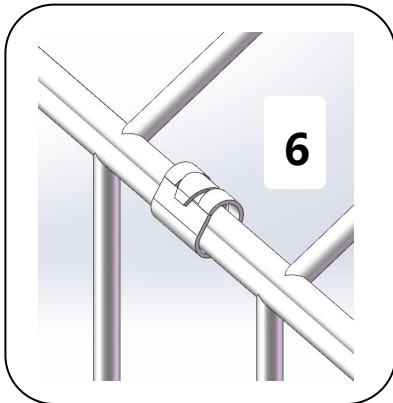
### Step 1



Step 2



Step 3



## Step 4

