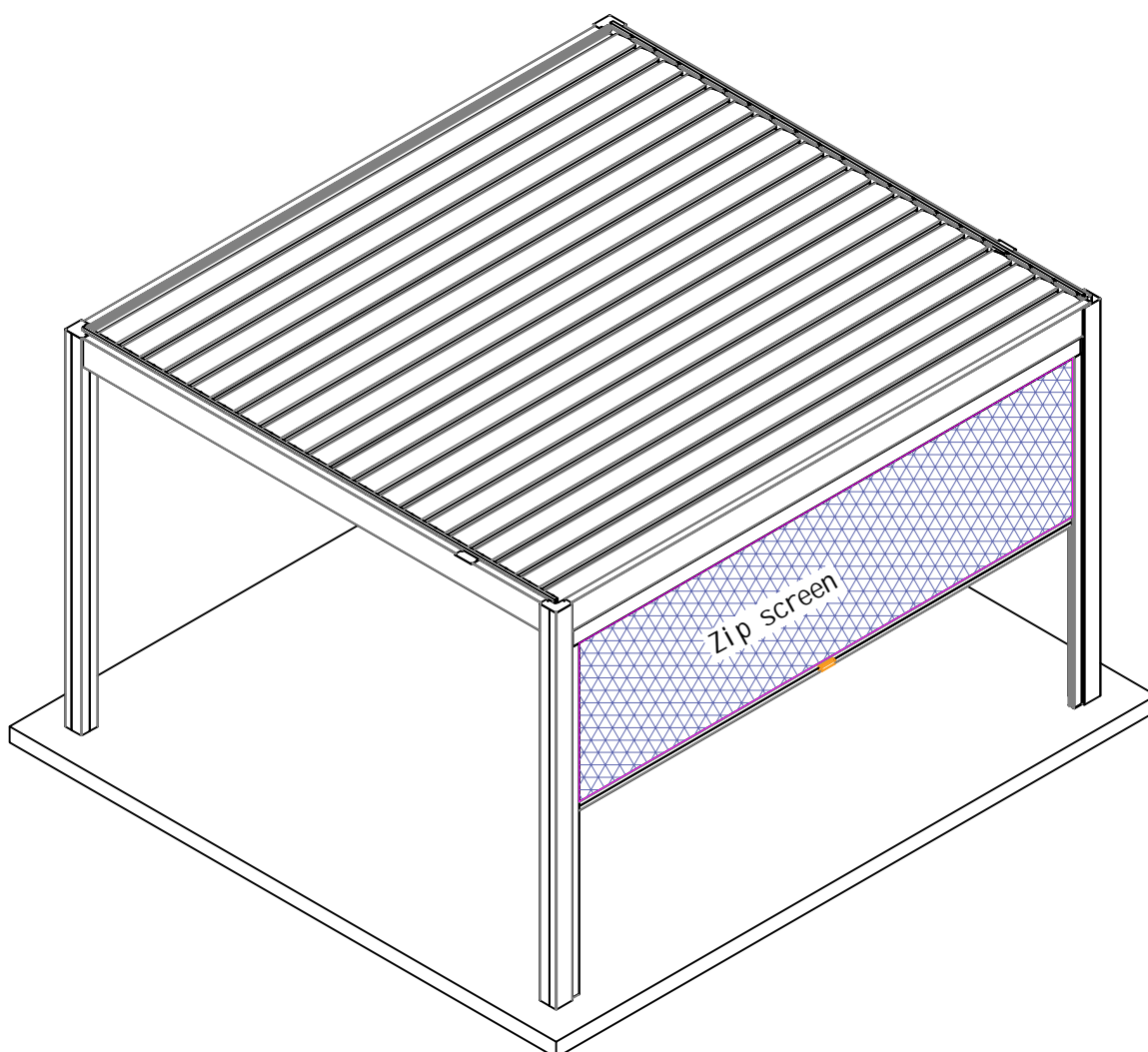




LIVING CULTURE

## Blind (MANUAL TYPE)

### INSTALLATION INSTRUCTION



## INSTALLATION NOTES

Before you start to install products, please read below notes:

1. This is a general version manual. make sure that you review the design when placing an order and read this manual several times before you start to install .
2. Check the package list and confirm all items on the list! do not throw away any package until the zip screen is installed successfully
3. Minimum 3 people are required during the installation
4. It needs 2 people to lift the product parts from the package, please put the products very gentle, it is better to cover a carpet or hard paper box on the flooring to protect it from scratching
5. You should remove the film coated on the products entirely during the installation ,because it is difficult to remove them after explosion under hot temperature
6. We holds no responsibility for any damage caused due to human factor ,especially incorrect assembly

## INSTALLATION TOOLS



hand drill



drill bar



electrical drill,  
Ø14mm dill bar x1



rubber hammer



tape



ladders x3



security cap



electric spirit level

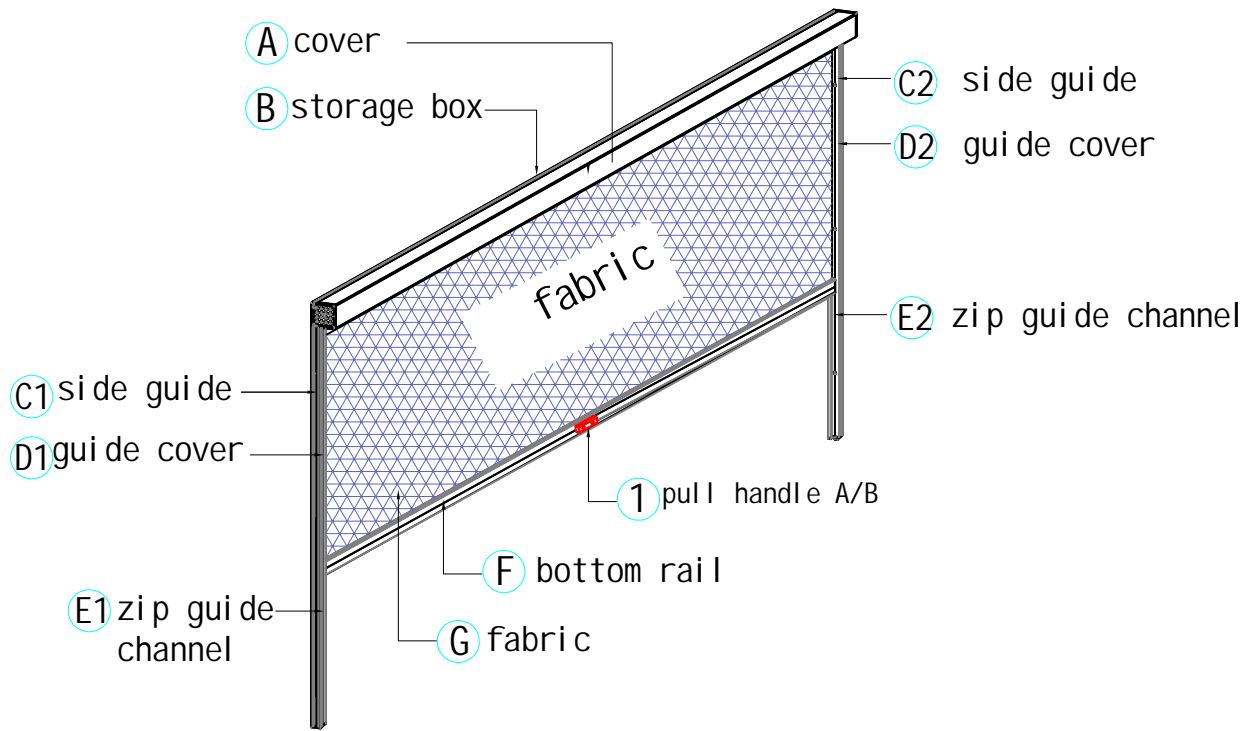


1.5-5mm hex wrench



marker

\* Silicone sealants are not offered in the cargo.you should purchase them in local.



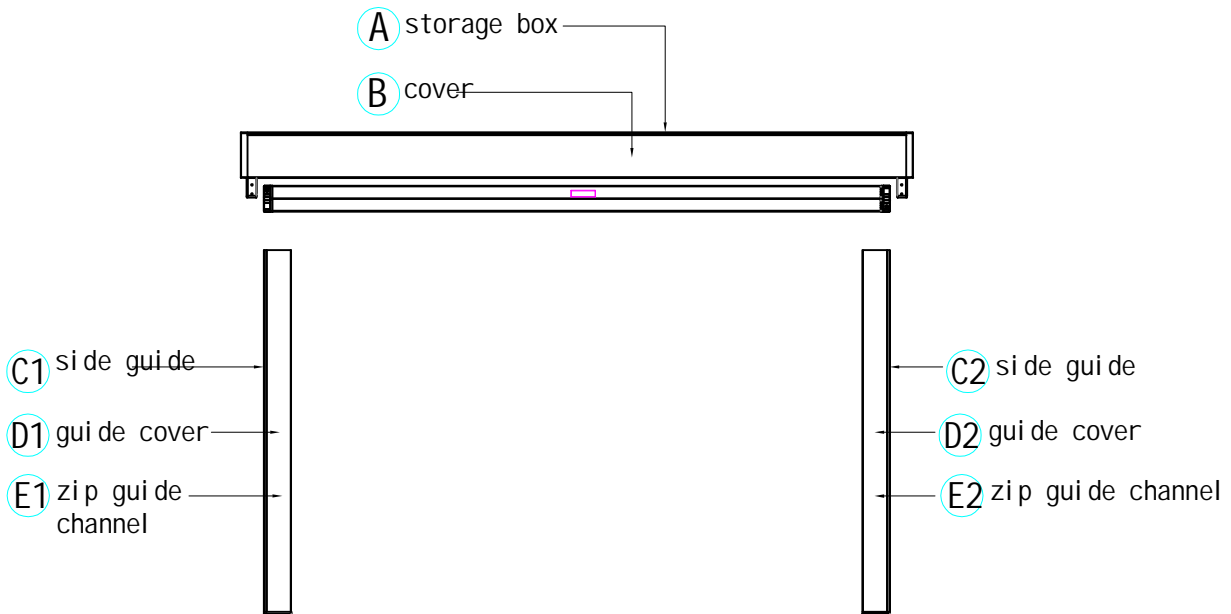
ITEM LIST	
Item name	Number
	Installation item : 100 series zip screen (manual)
A cover	1pc
B storage box	1pc
C1 side guide	1pc
C2 side guide	1pc
D1 guide cover	1pc
D2 guide cover	1pc
E1 zip guide channel	1pc
E2 zip guide channel	1pc
F bottom rail	1pc
G fabric	1pc
1 pull handle A/B	1pc
SUS cross screw 5*45	2pcs
φ10 cap	3pcs
SUS cross tapping screw 4.2*32	several

# INSTALLATION

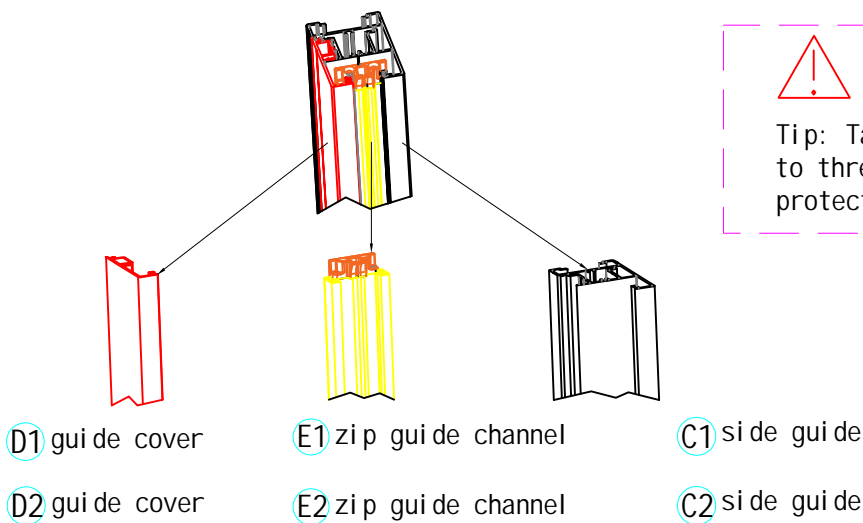
STEP 1: Check the installation site weather qualify

STEP 2: Please check all packages ,check the item list and complete accessories .If there is a damage ,please contact seller

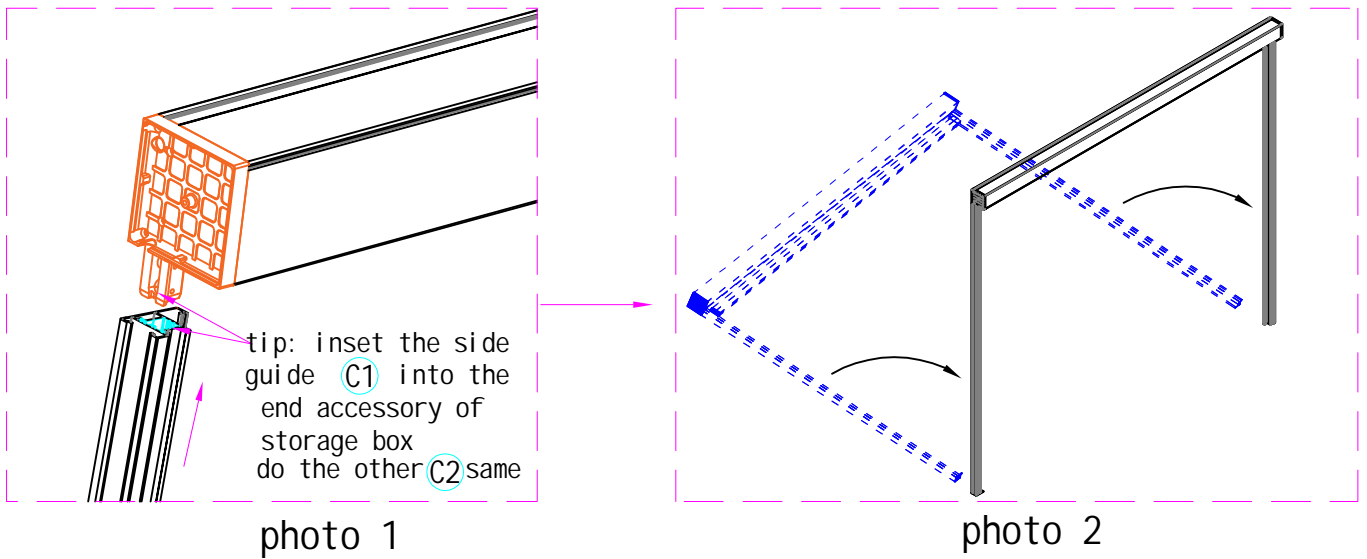
STEP 3: Put the products lay on the soft floor as below picture ,recognize its location and orientation .



STEP4: Take apart the side guide to three pieces as picture .one guide consist of cover, zguide and zip guide channel

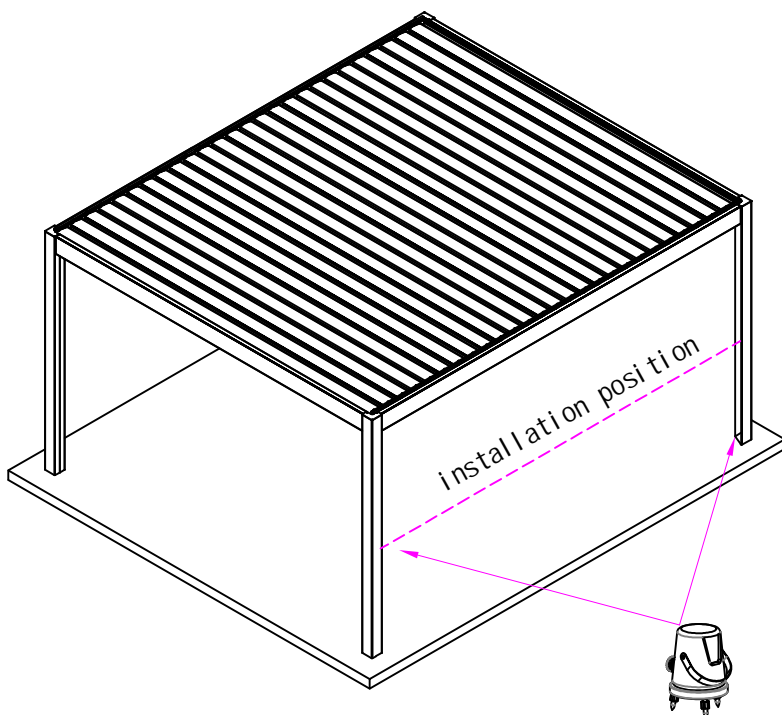


STEP 5: Assemble the frame of zip blinds on the floor  
Tip: it needs three people to make it stand.

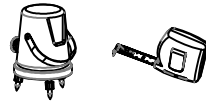


STEP 6: Installed in pergola

- 6.1 Put the zip blinds stand in the pergola and use spirit level to adjust its position
- 6.2 Mark the screw holes on the pergola post and remove the zip blinds to drill  $\varnothing 3.5\text{mm}$  holes
- 5.4 Ensure the zip blind is at correct position, then go ahead

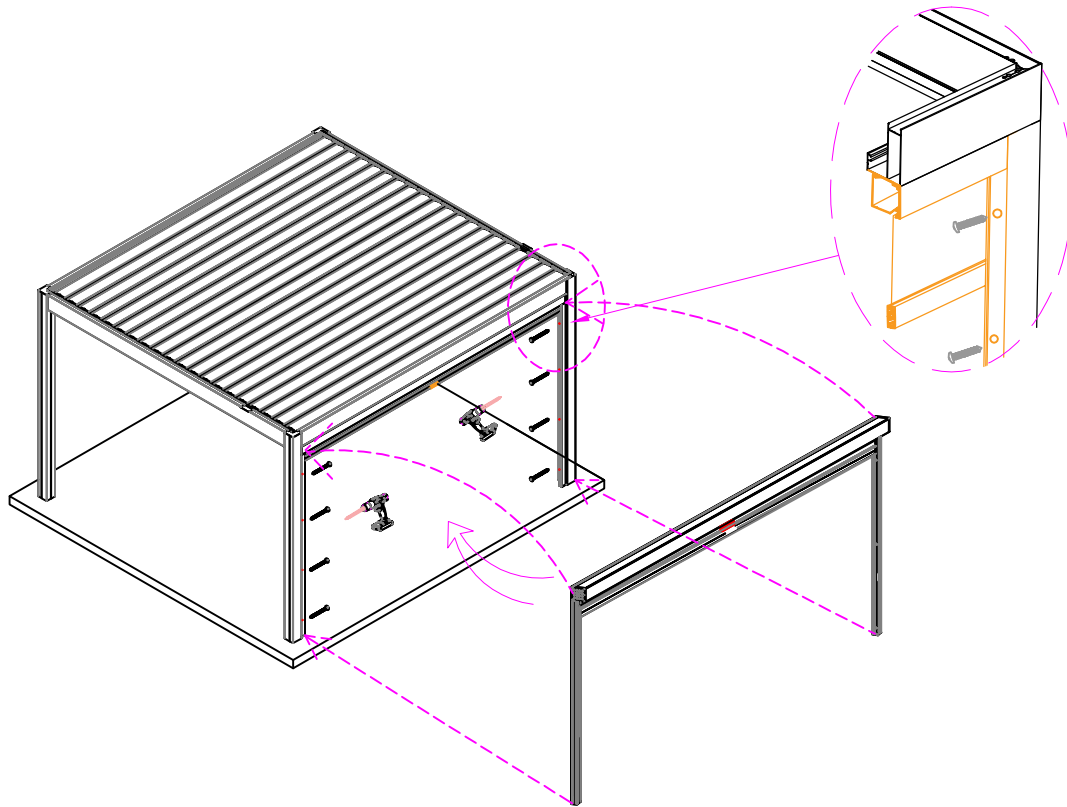


Tip: Use electric spirit level machine to check the position, if meet the installation request

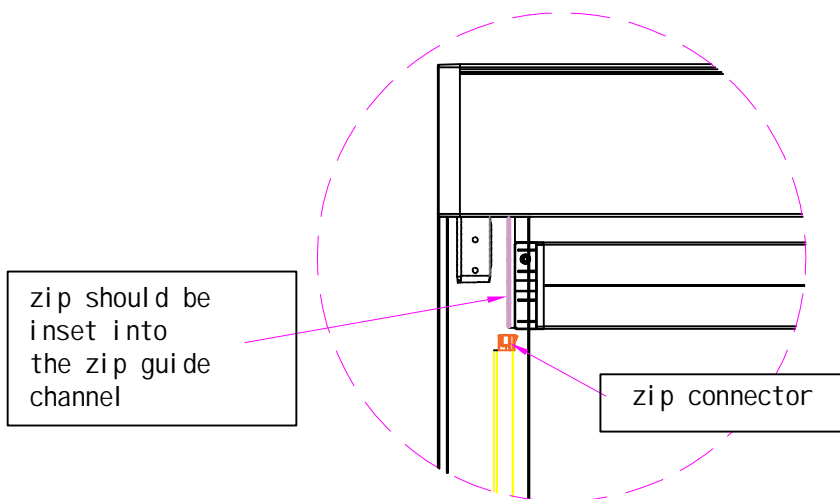


<6/12>

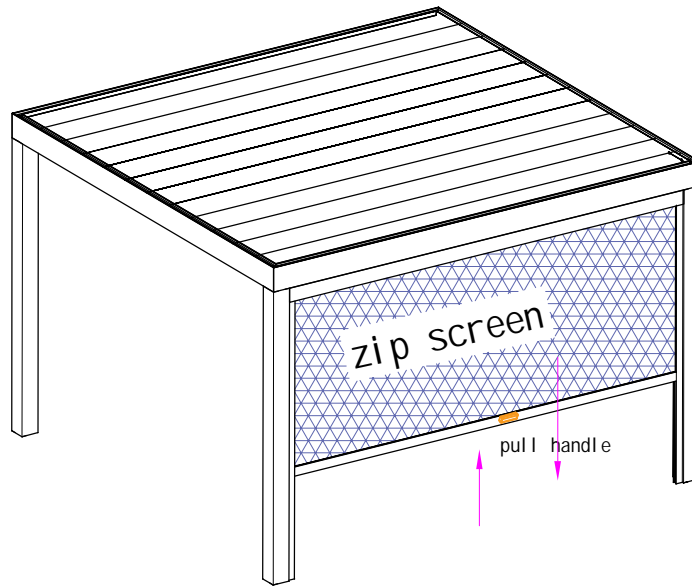
6.3 Adjust the zip blinds position again in the pergola opening ,and use 5\*30 tapping screw to fix it.



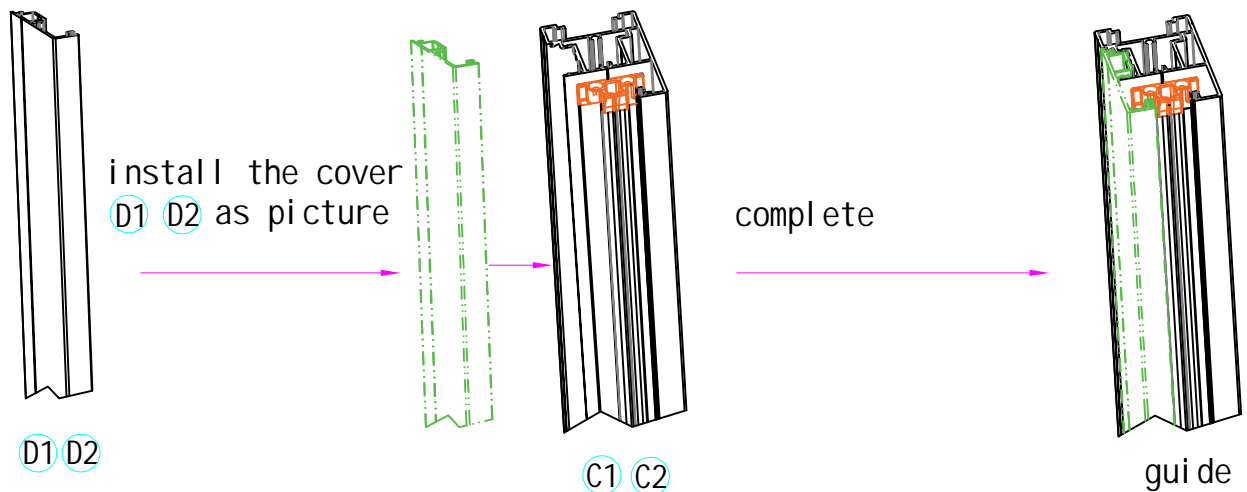
6.4: Inset the zip into the zip guide channel.



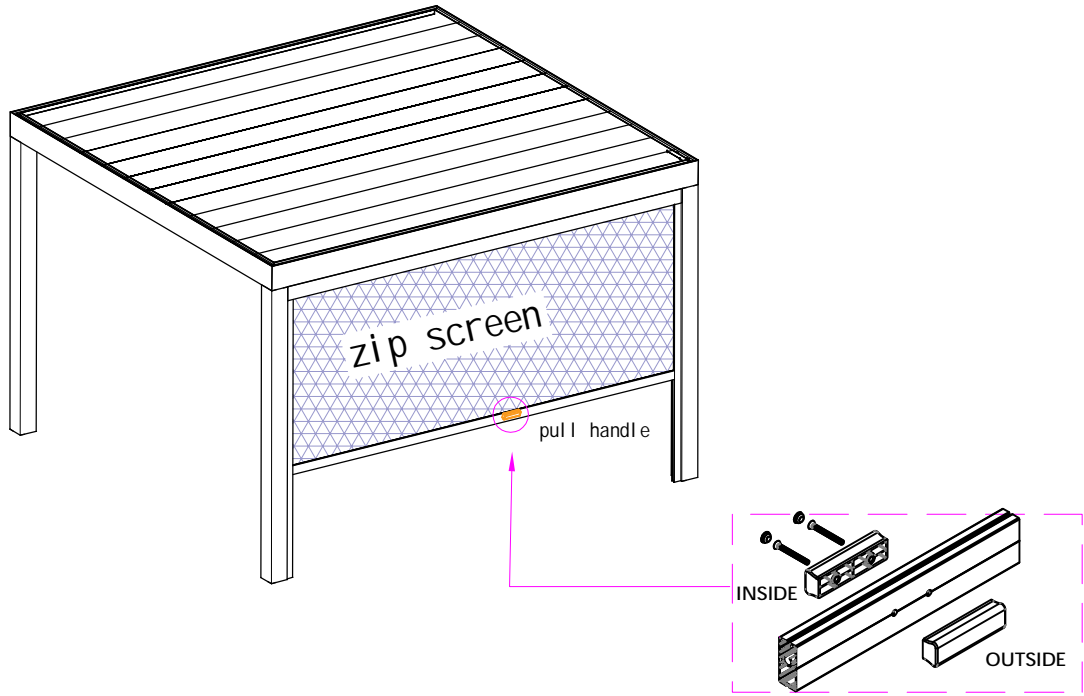
6.5 Test the smooth of zip screen.



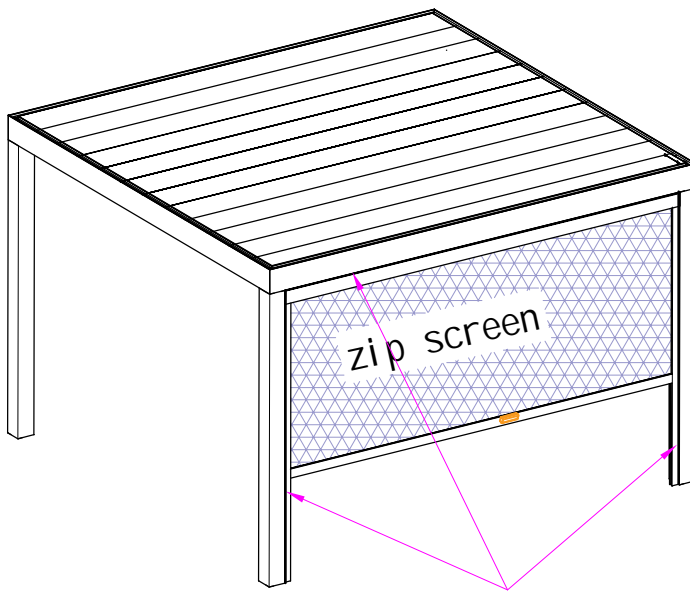
STEP 7 : Install the guide cover **D1** **D2** after test the product and it is qualify.



STEP 8: Fix the pull handle.



STEP 9: Do silicone sealant work after installation complete.



all gap should do silicone sealant



STEP10:Checktheproductquality

10.1 check the zip guide channel if smooth when pull up and down

10.2 check the noise of zip guide

10.3 check the fabric situation when reel it

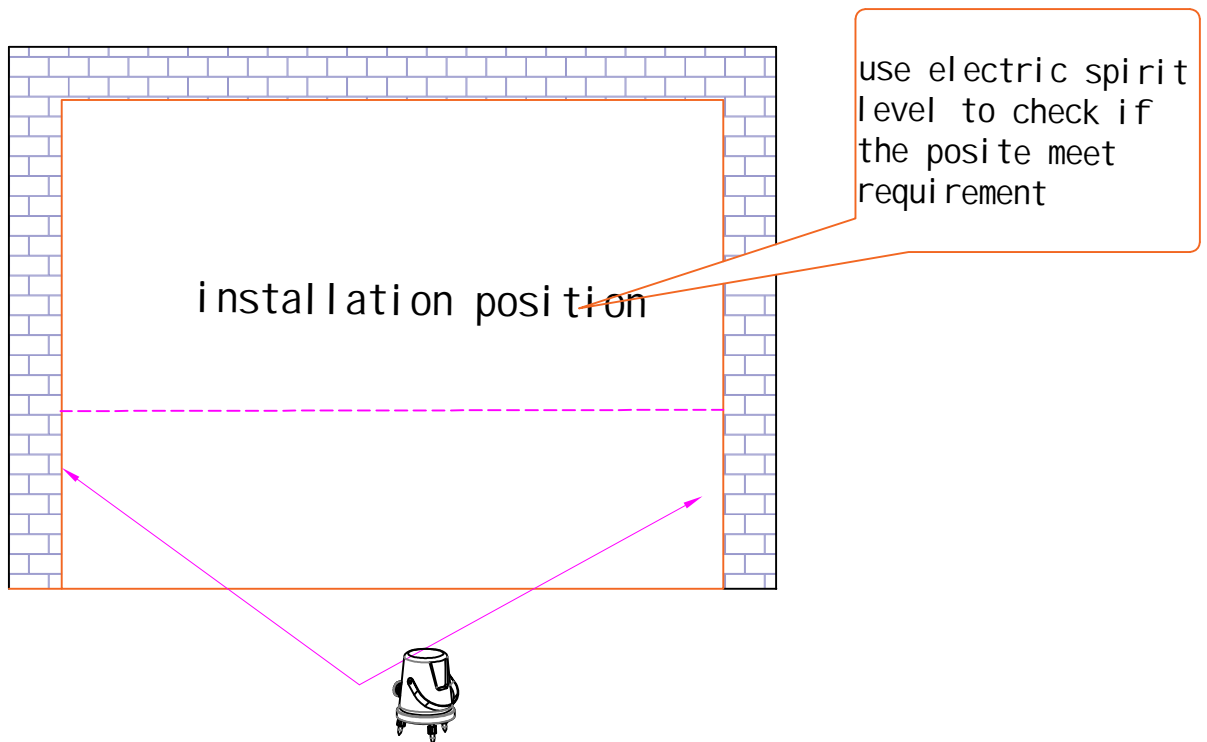
10.4 check the bottom rail if balance to the floor

10.5 check the silicone place

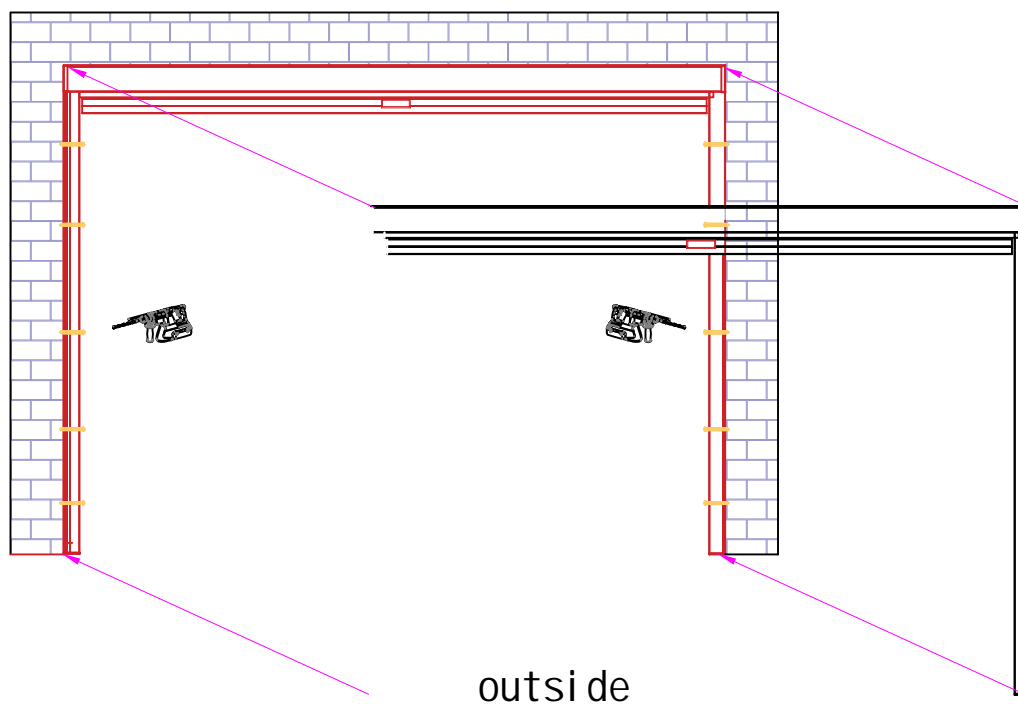
Trouble shooting		
code	Issue	Solutions
1	operation is not smooth	check the two side guide if there is skewing . Adjust them if it happen
2	The fabric is plicated	take use of steam iron to tidy it and set to dry
3	leak water when use it	do silicone sealant at the gaps

## HOW TO INSTALL IN THE WALL CAVE

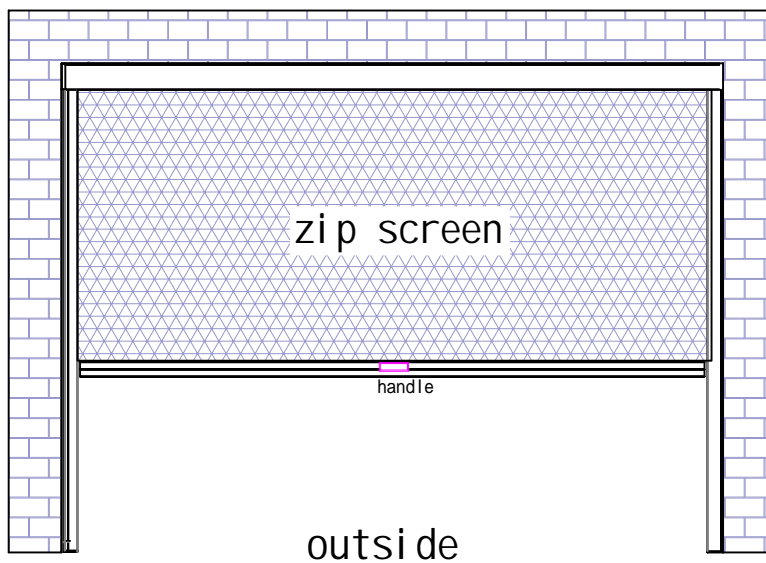
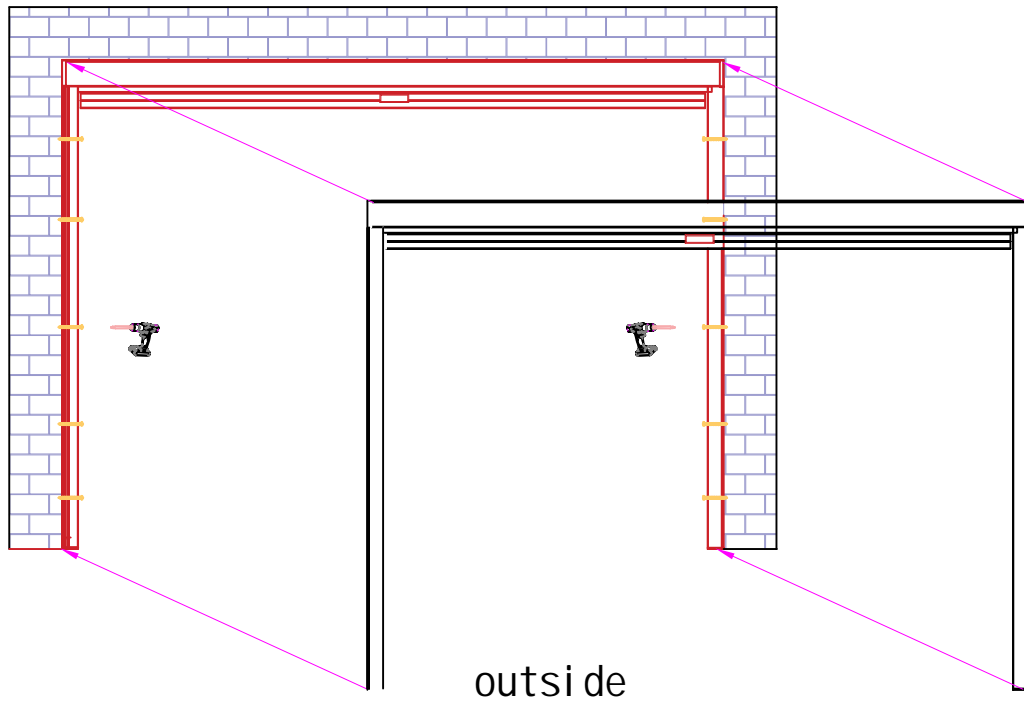
STEP 1 : Check the installation position if qualify.



STEP 2: Take use of electrical drill to drill diameter 8 mm holes and stuff the expansion plug.



The remain steps are as same as foregoing steps



## Letter of thanks

Dear Customer :

We appreciate your recent purchase and really hope you can enjoy the happy time with your loved ones and friends under our stylish aluminum pergola .

We know that you could have bought from any one of our competitors ,but you trust us .For that ,and all of your previous purchases ,we wanted to say thank you .You are a valued customer and we'll continue to strive for the best customer service we can offer .If you care to share any future stories from the road ,we'd love to hear them .Thanks again !

Gratefully

LIVING CULTURE