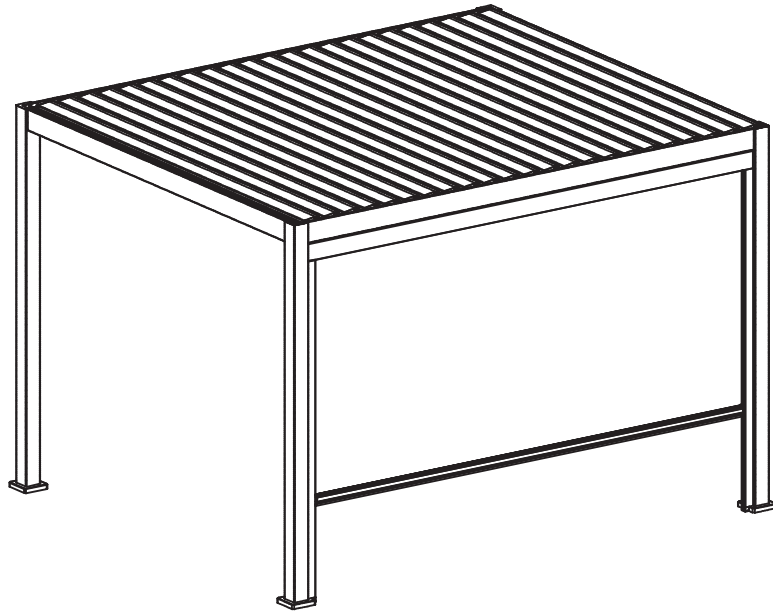
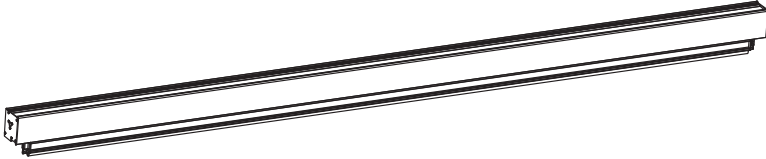




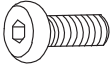



Pull down screen



REF	PICTURE	QTY
A		1
B		1
C		1
D		1
E		20
F		4
G		2

Warning

In case of forecasted snow, kindly to open your louvers to the vertical position in order to avoid damage on your pergola.

What you need?



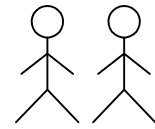
Gloves



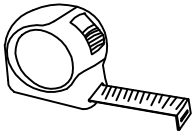
Hammer



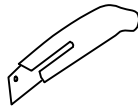
Safety hat



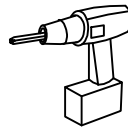
minimum 2 people



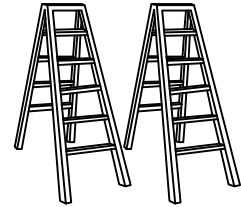
Tape measure



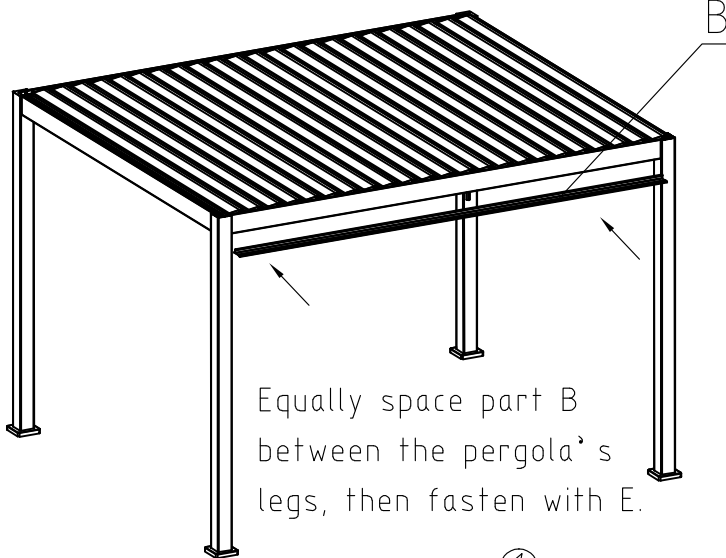
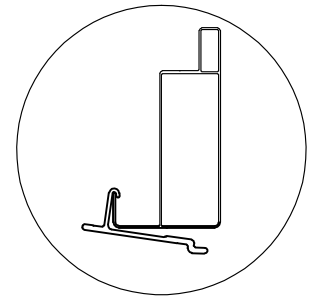
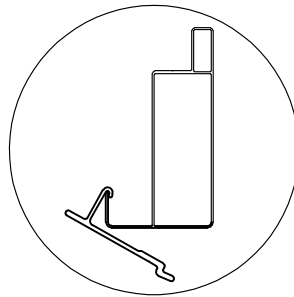
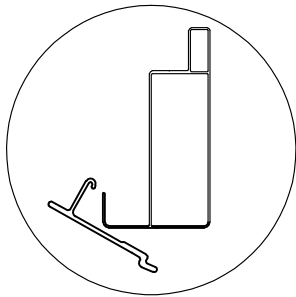
Knife



Electric screw driver

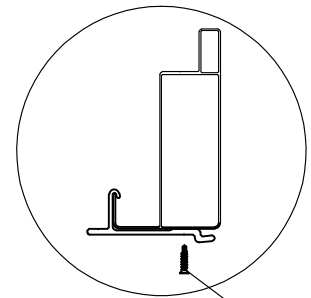


2 ladders

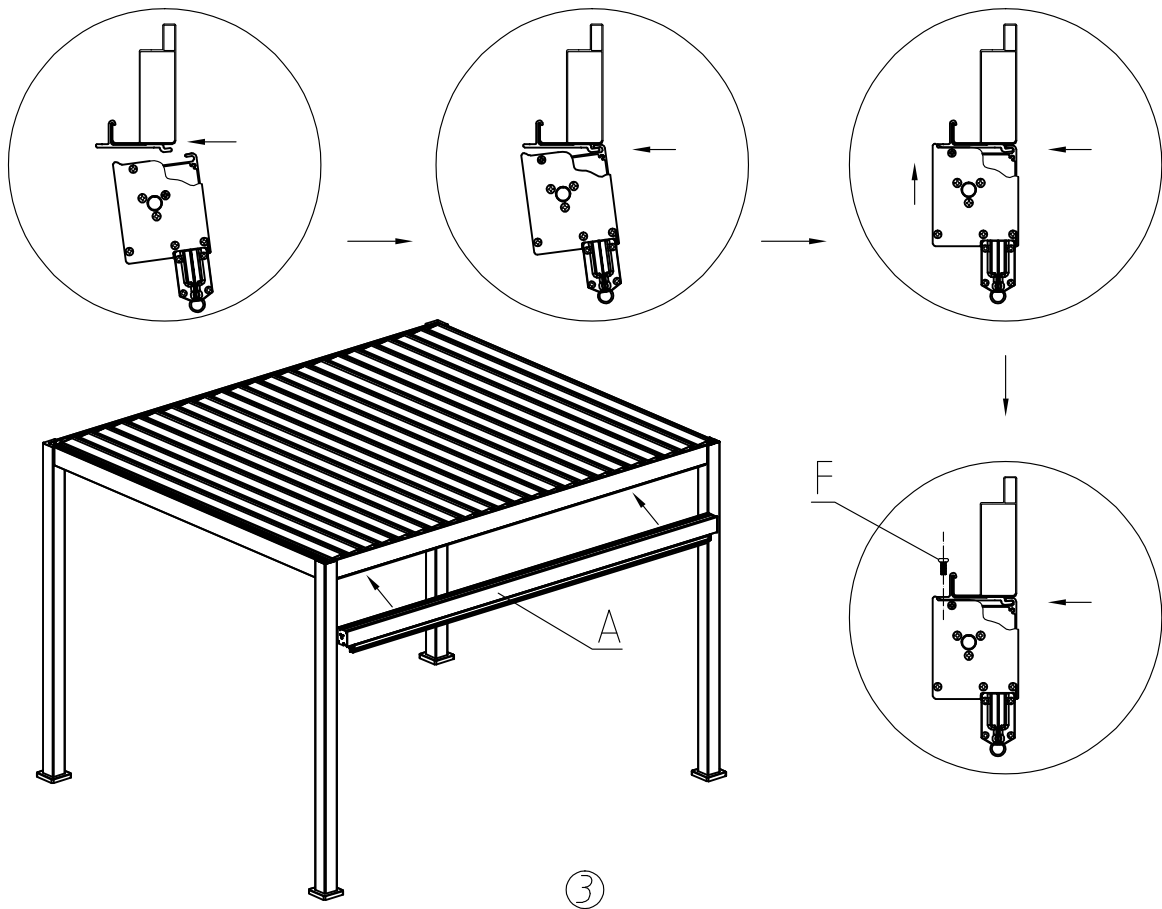
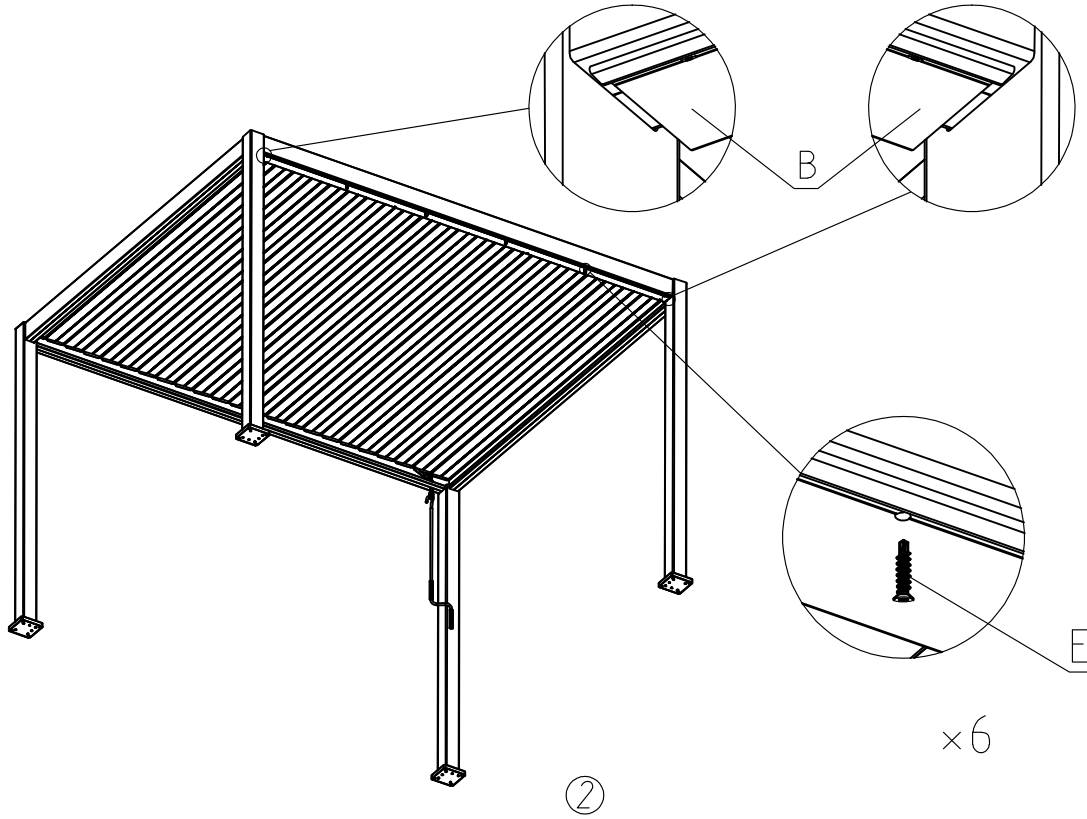


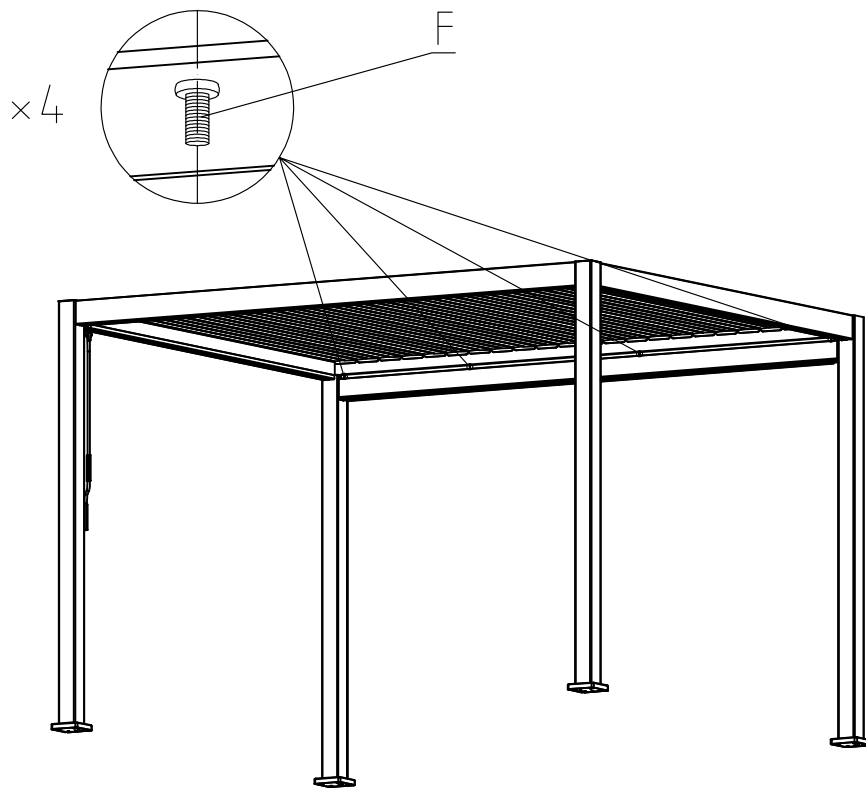
Equally space part B between the pergola's legs, then fasten with E.

①



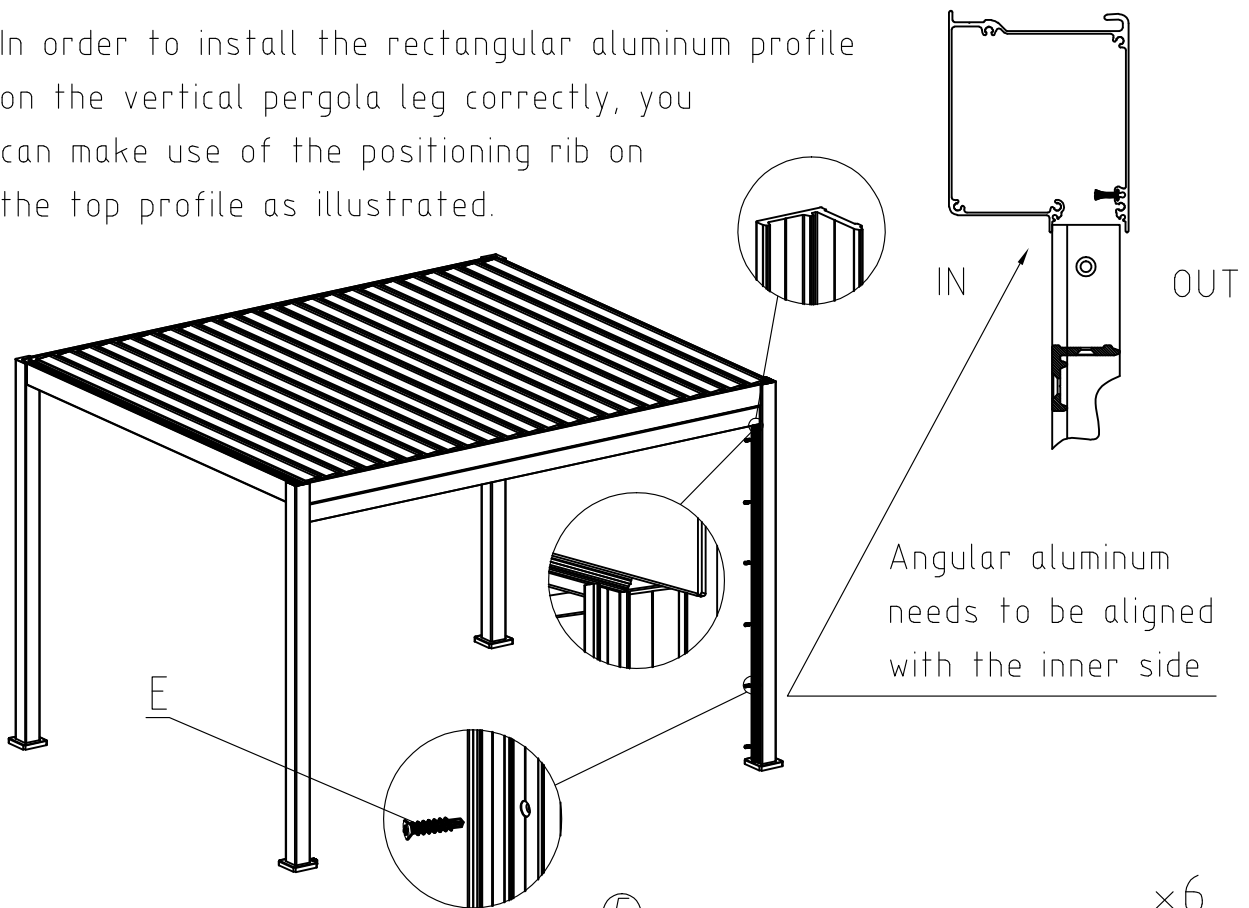
Part B shall be kept at the same distance from the columns on both sides.





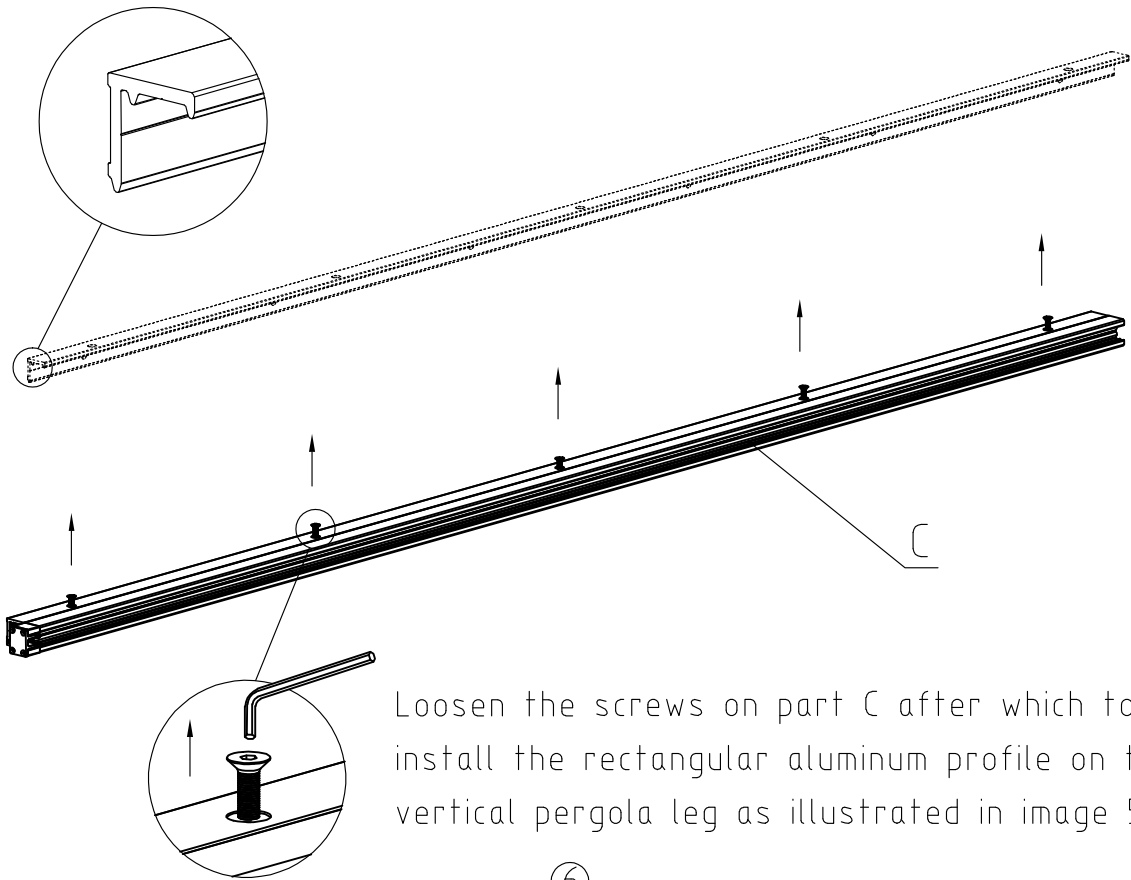
④

In order to install the rectangular aluminum profile on the vertical pergola leg correctly, you can make use of the positioning rib on the top profile as illustrated.



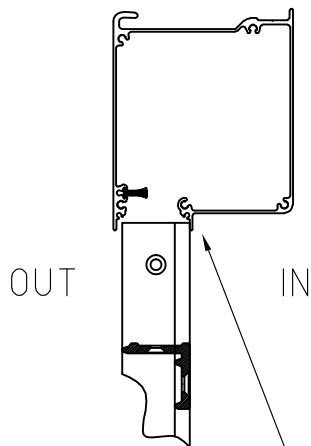
⑤

x6



Loosen the screws on part C after which to install the rectangular aluminum profile on the vertical pergola leg as illustrated in image 5.

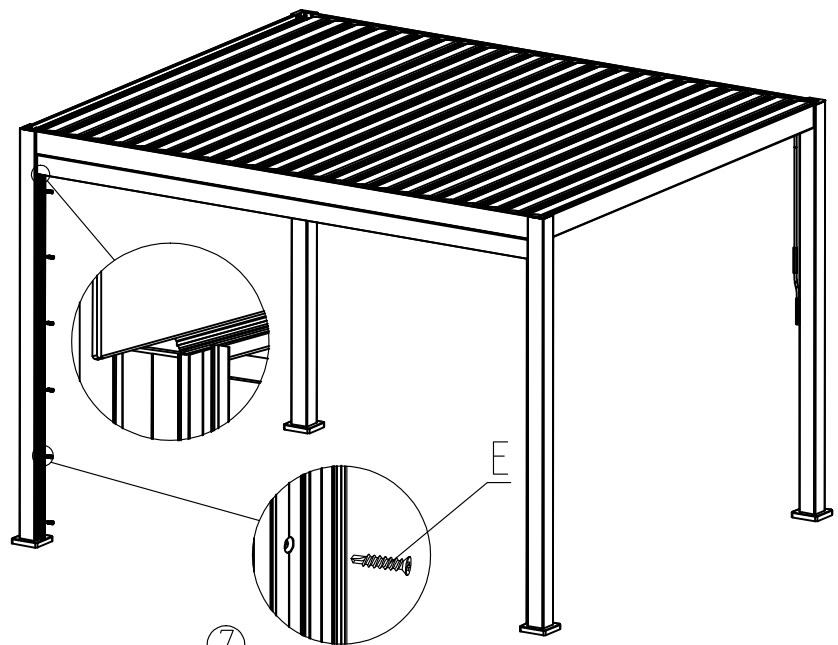
⑥



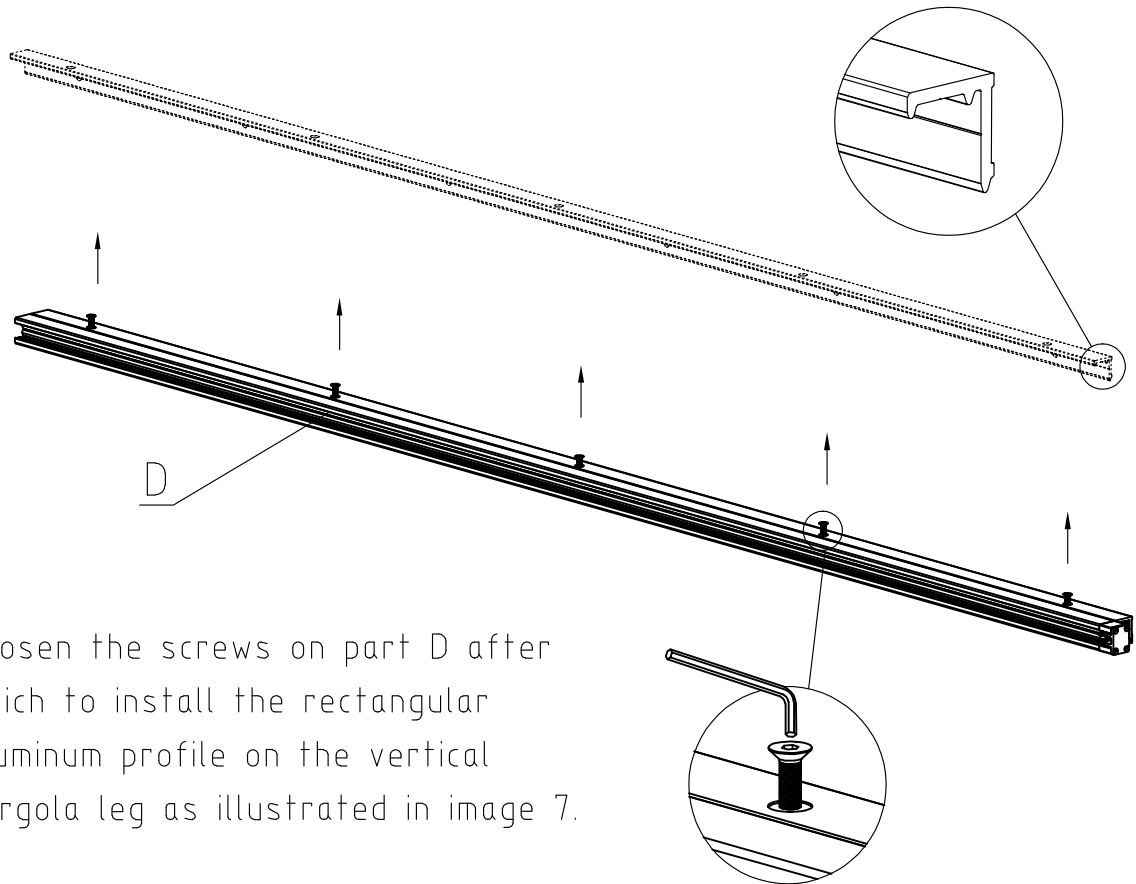
In order to install the rectangular aluminum profile on the vertical pergola leg correctly, you can make use of the positioning rib on the top profile as illustrated.

Angular aluminum needs to be aligned with the inner side

×6



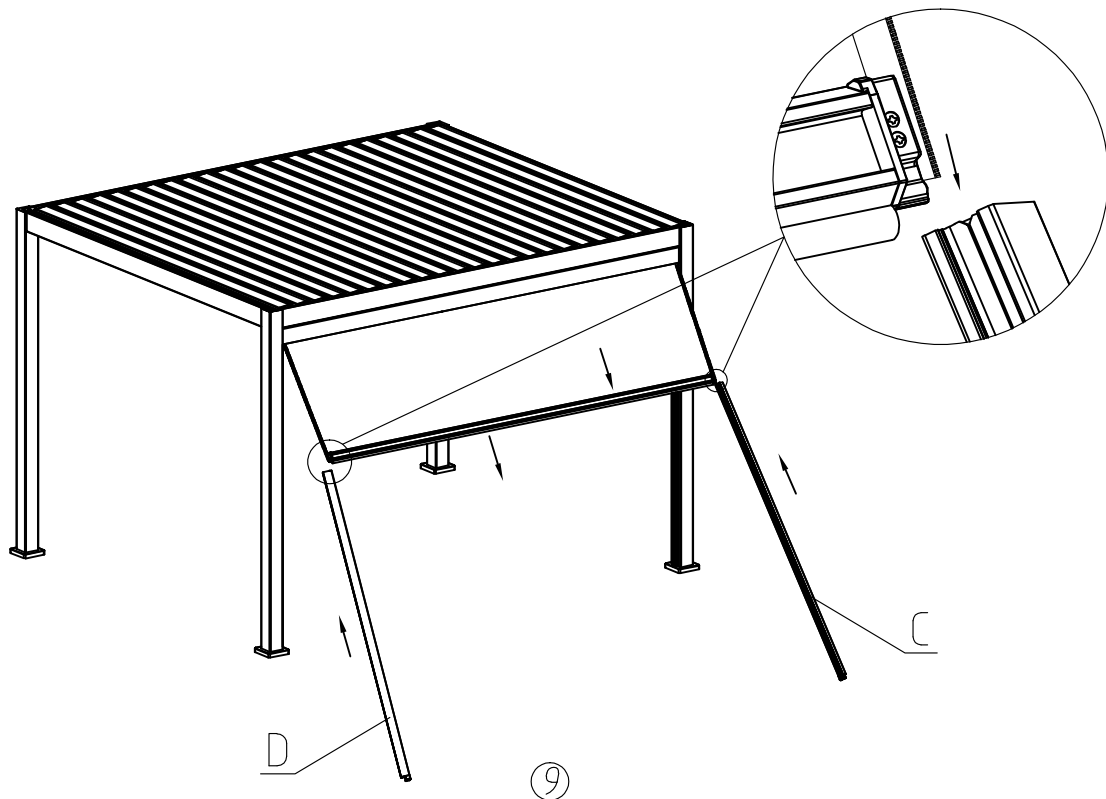
⑦



Loosen the screws on part D after which to install the rectangular aluminum profile on the vertical pergola leg as illustrated in image 7.

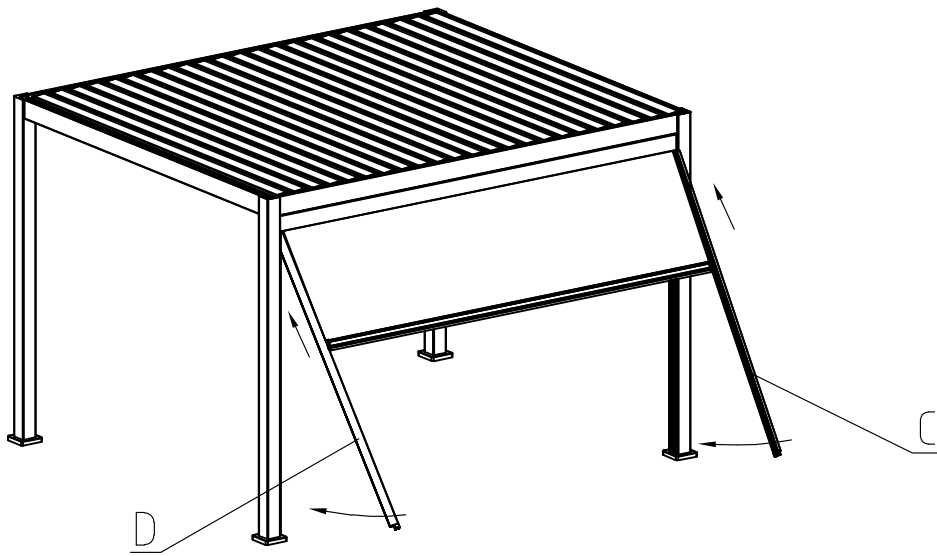
⑧

Slide the zippers attached to the canvas in to the plastic guide rail of part C and D respectively.

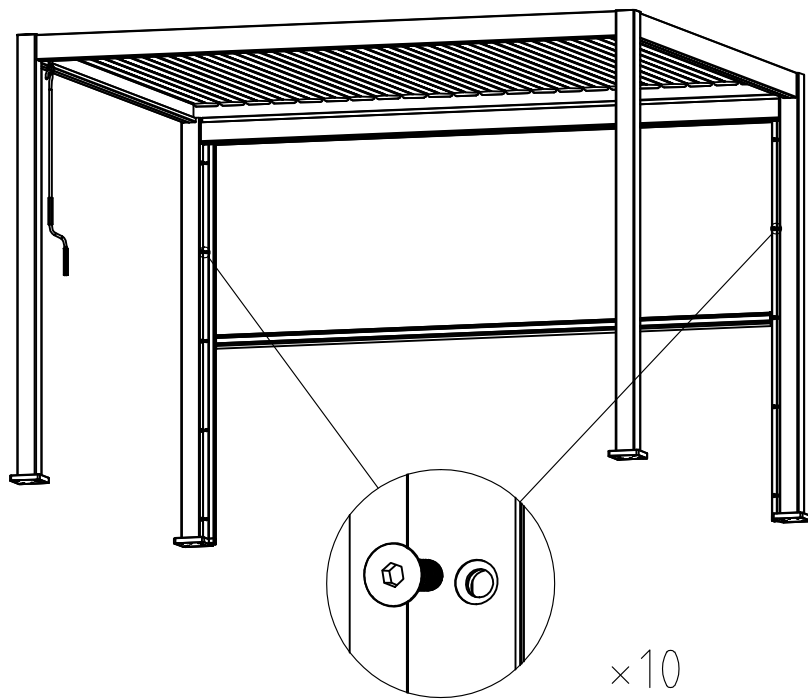


⑨

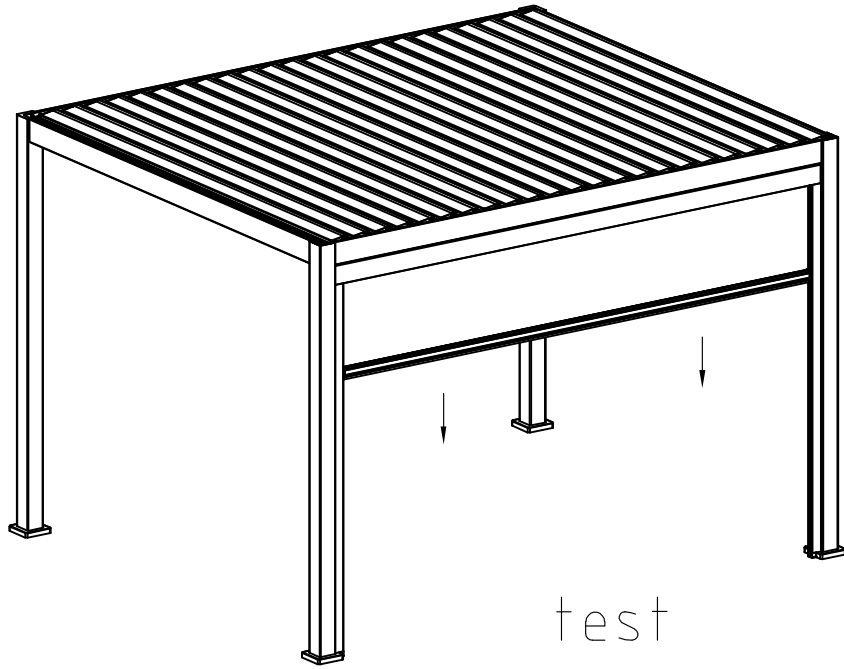
Slide the zippers attached to the canvas in to the plastic guide rail of part C and D respectively.



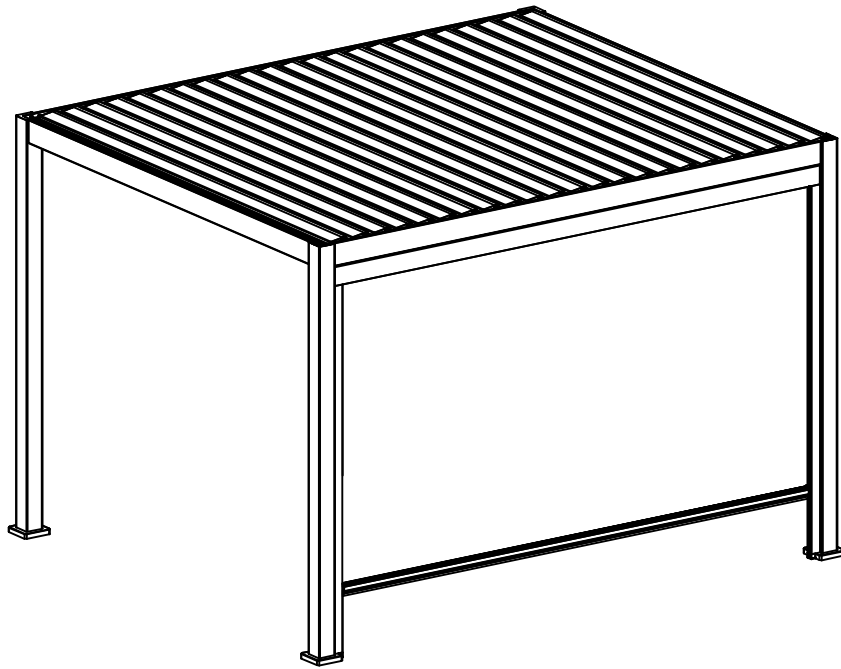
10



11



12



13