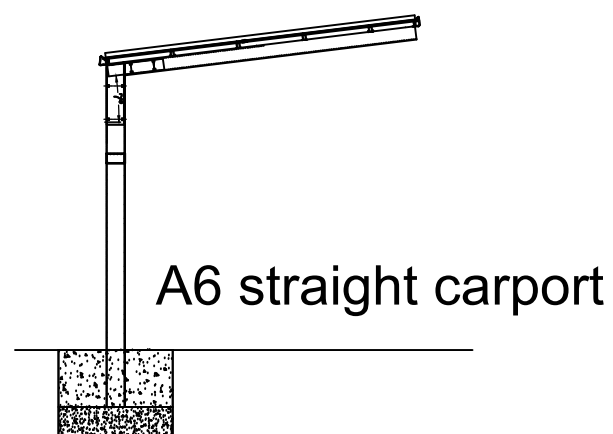
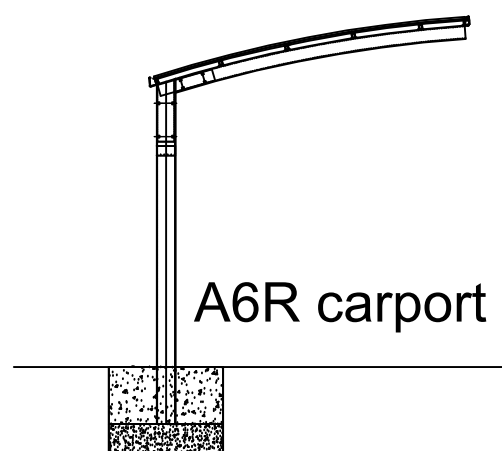
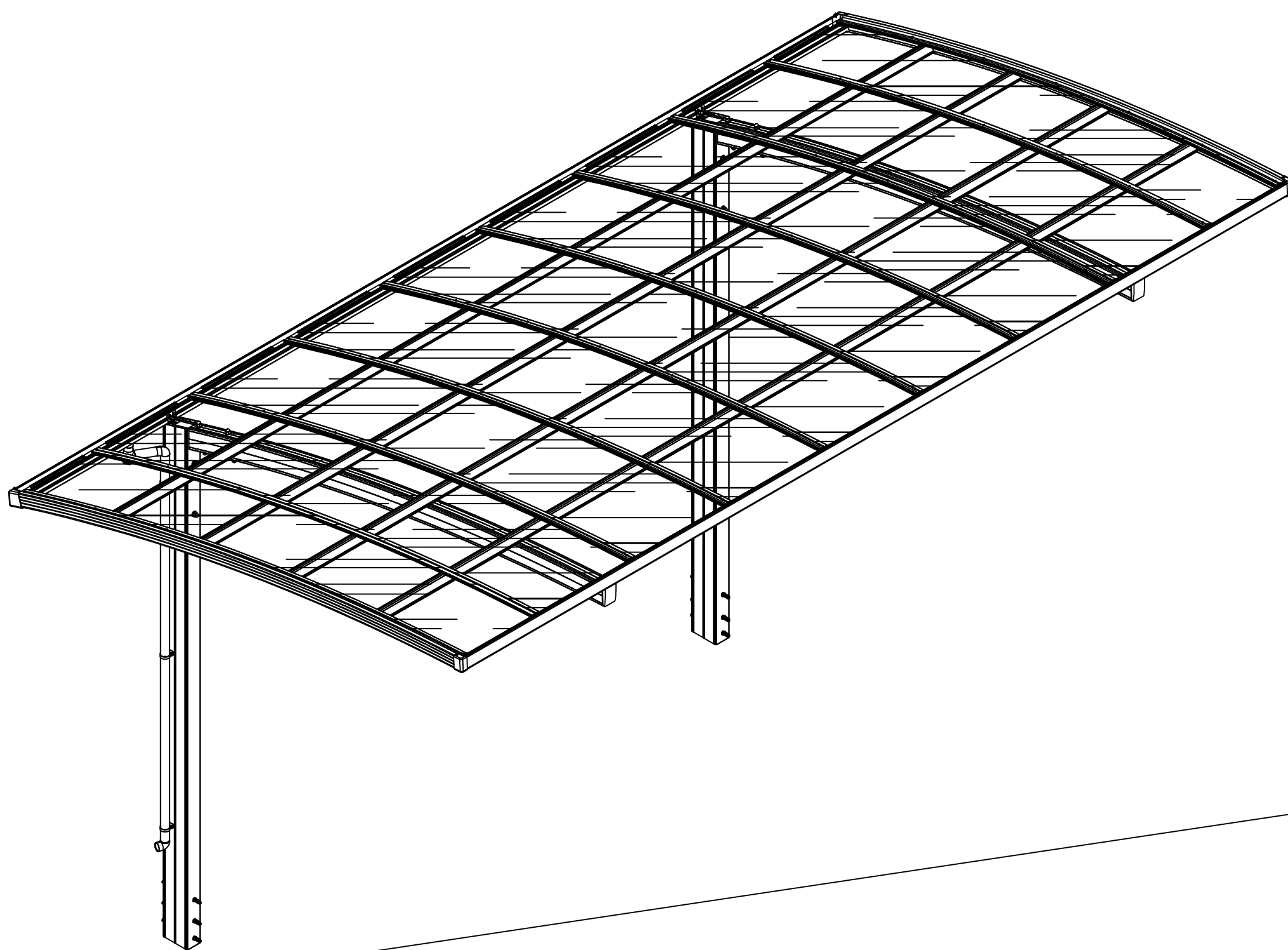




LIVING CULTURE

# MODEL A6 CARPORT INSTALLATION INSTRUCTION

## Pre-embedded



**Notes:**

A6R main beam and side frames are arched  
A6 main beam and side frames are straight

A6R and A6 straight installation are common ,the difference is main beam and side frames ,the others are same .so we take the model A6R out for installation instruction .We won't offer A6 straight carport installation .

2024-4-19

# INSTALLATION NOTES

Before you start to install products ,please read below notes:

1.This is a general version manual .make sure that you review the design when placing an order and read this manual several times before you start to assemble carport ,this installation steps can be referred to in this manual ,However ,other specific details such as drainage direction ect. should be accord to the drawing of the order placed

2.Check the package list and confirm all items on the list ! Do not throw away any packages until the carport is installed successfully

3.Minimum 3 people are required during the installation

4.It needs 2 people to lift the product parts from the package ,please put the products very gentle ,it is better to cover a carpet or hard paper box on the flooring to protect it from scratching

5.You should better to screw the pergola on a flat concrete floor or do pre-embedded into the floor

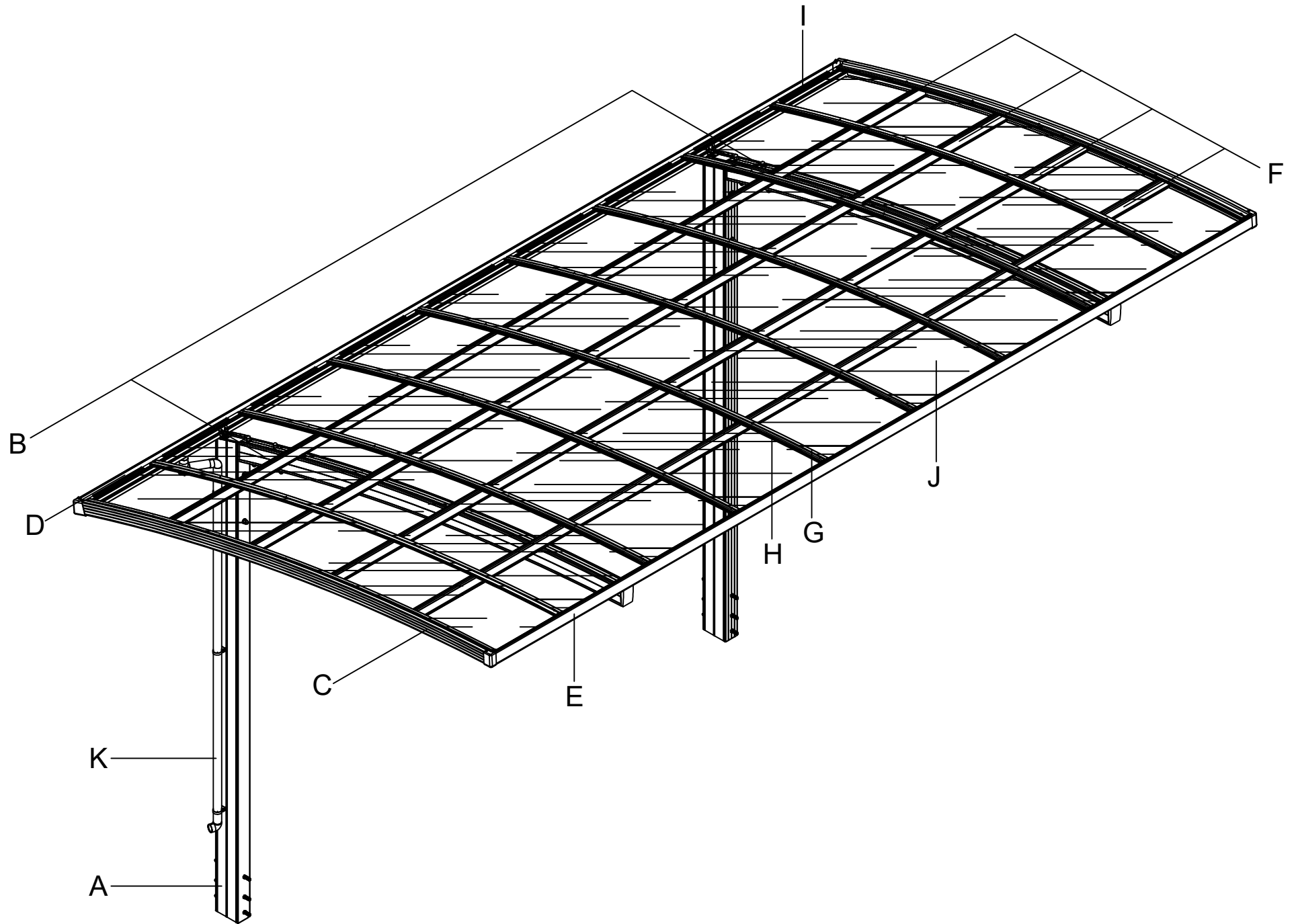
6.You should remove the film coated on the products entirely during the installation ,because it is difficult to remove them after explosion under hot temperature

7.Please do not DIY our product and take use of the other alternative accessories when you change the original design ,which will void your warranty

8.We hold no responsibility for any damage caused due to human factor ,especially incorrect assembly



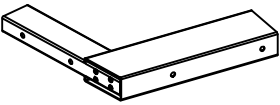
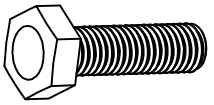
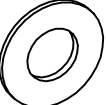
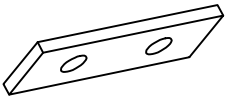
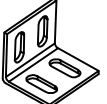
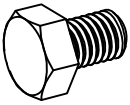
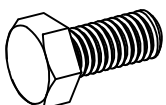
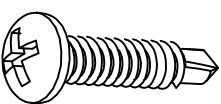
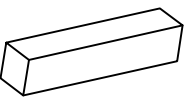
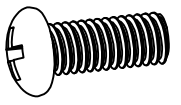
9.During the installation process, if you encounter any uncertainties, please refer to the installation instructions on the product page of the website.

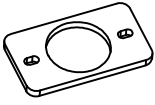
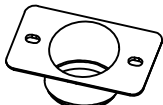




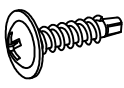
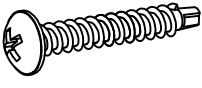

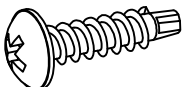
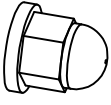

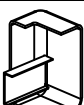
# Components



code	name	section	photo
A	post		
B	main beam		
C	side frame		
D	gutter		
E	front eave		
F	middle frame		
G	top capping		
H	lower capping		
I	snap-gauge		
J	PC sheets		
K	downpipe		

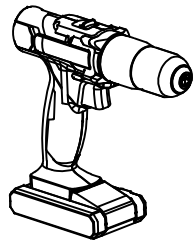
# Hardwares

code	name	photo
1	M10X250 gavanized screw pole	
2	M10 nuts	
3	main beam joint	
4	SUS hex bolt M10*35	
5	304-M10 washer	
6	slider(connect gutter with post)	
7	bracket(connect gutter with post)	
8	SUS hex screw (304) (M8*12)	
9	SUS hex screw (304) (M8*20)	
10	SUS cross head drilling screw (4.2*19) (304)	
11	soundproof pad (50*10.5*10MM )black	
12	SUS cross head bolt(5*12)	

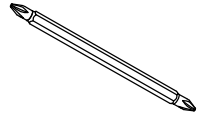
code	name	photo	remark
13	soft downpipe washer		these are in one package
14	T shape downpipe connector		
15	T shape downpipe connector		
16	downpipe holder		
17	clamp		
18	elbow		
19	SUS drilling screw4.2*16		
20	SUS drilling screw4.2*25		
21	gutter cap		
22	SUS drilling screw 4.2*16		
23	M10 bolt nut cap		
24	main beam cap		
25	front eave cap		

Note:The silicone sealant is not offered, you should purchase it in local

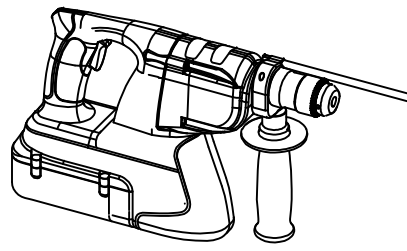
# TOOLS



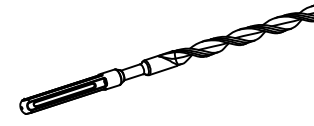
drill



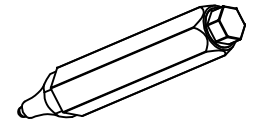
screwdriver bit



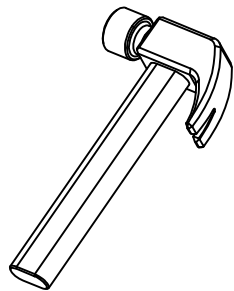
electrical drill



Ø16mm drill bit



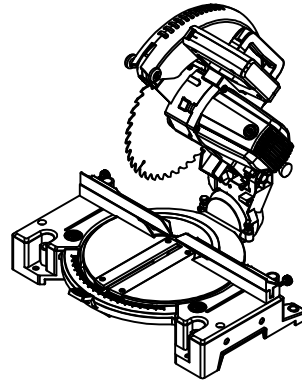
marker



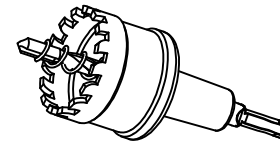
iron hammer



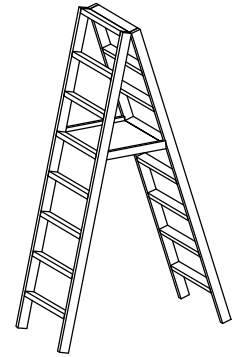
14/17/19mm wrench



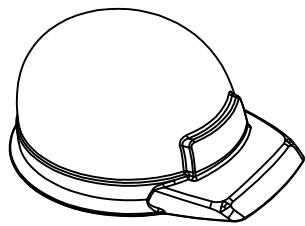
10 inch cutting machine



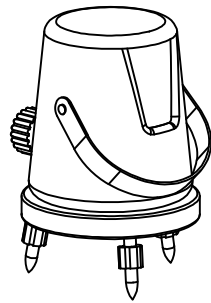
Ø35mm hole openers



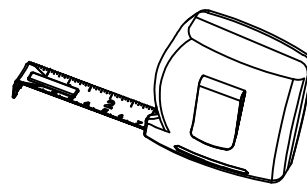
ladder



helmet



electric gradienter



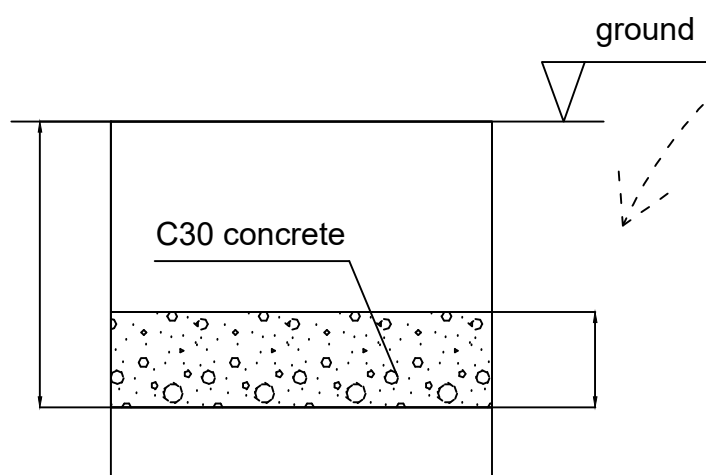
tape measure

# INSTALLATION

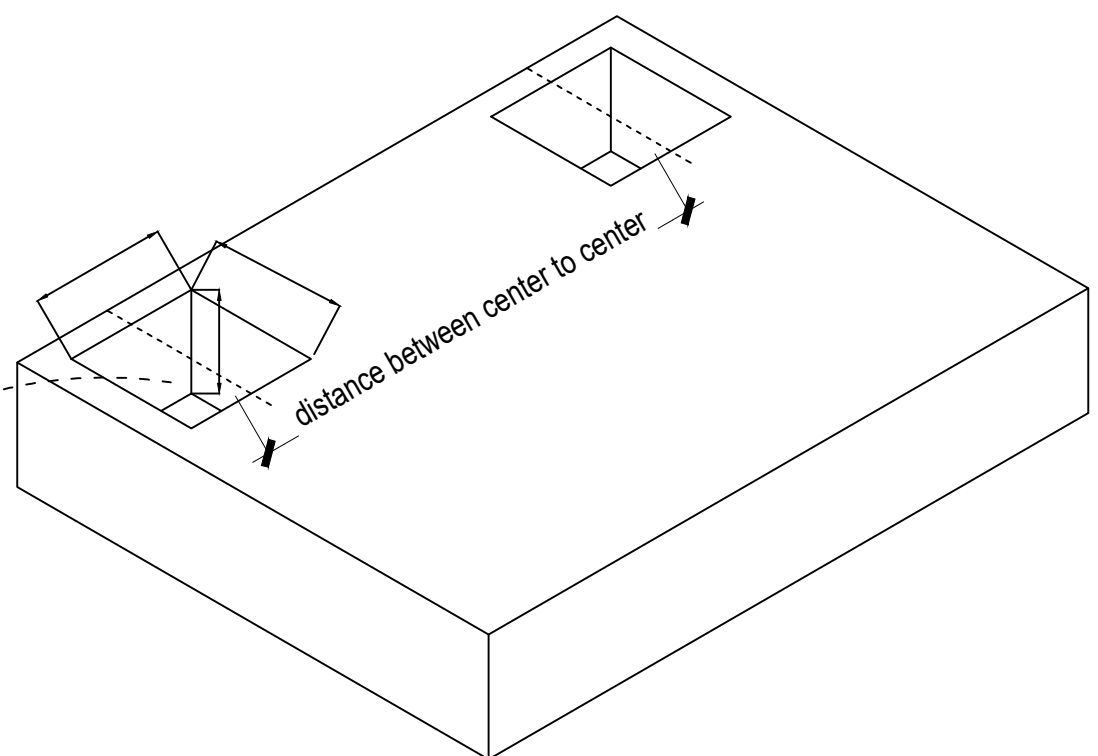
## Step 1: Build the post foundation

1.1. According to the design drawings, excavate the column foundation pit on the ground.

1.2. Placing 250mm thickness concrete layer at the bottom of the foundation with C30 concrete. After two days, the concrete is solidified



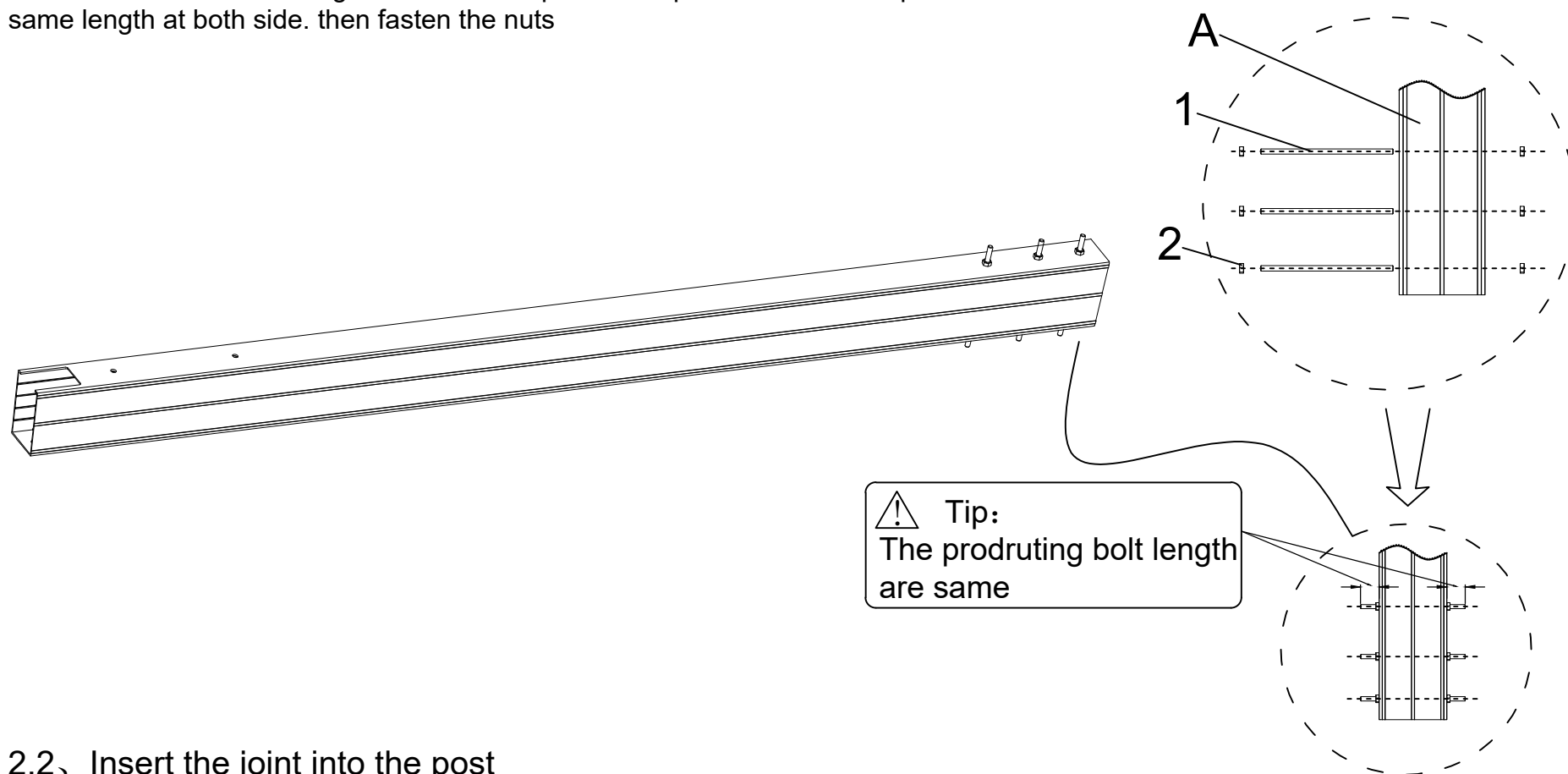
the foundation section



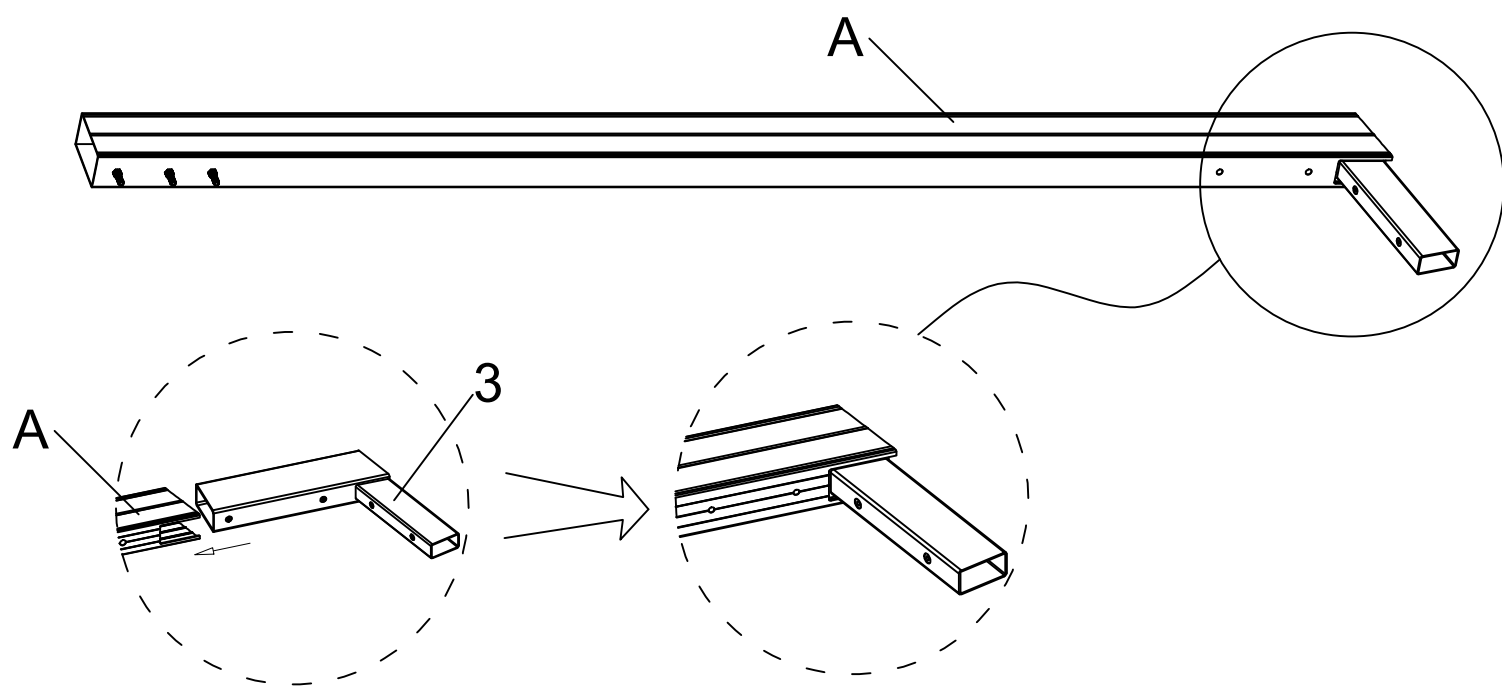
1.3. It is necessary to check the elevation of the foundation concrete layer before install the carport post. The tolerance should be within  $\pm 10\text{mm}$ . If the tolerance exceeds this range, you should adjust the concrete layer level before installation.

Step 2: Assemble the post and main beam

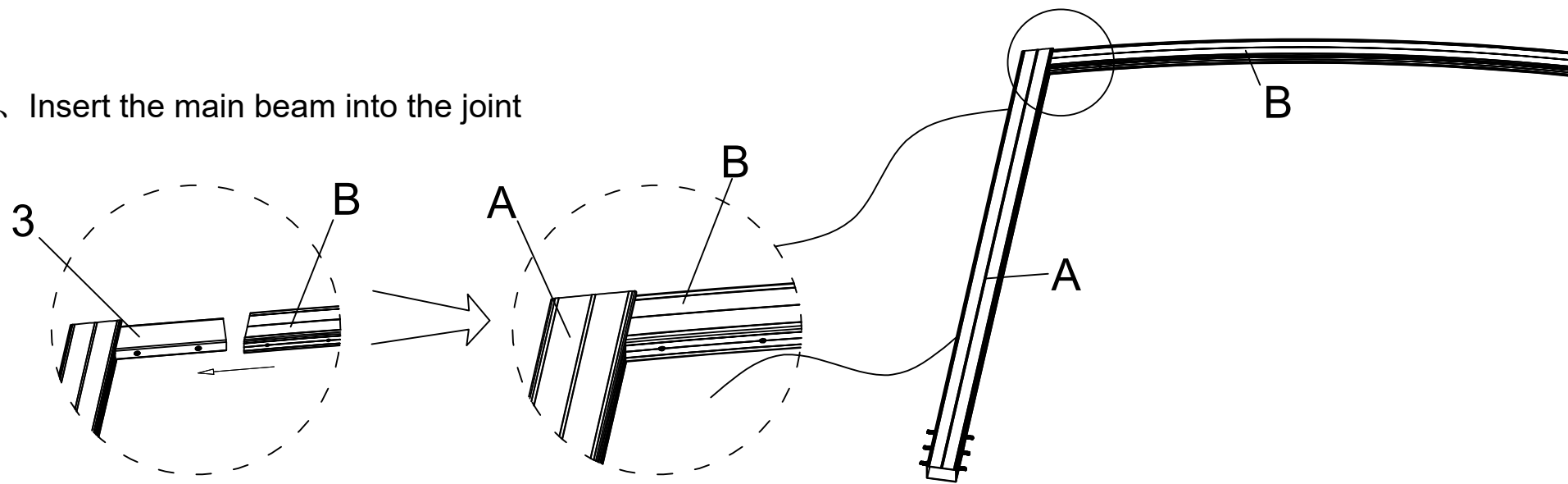
2.1、 Across the M10X250 gavanized screw pole in the post holes and keep same length at both side. then fasten the nuts



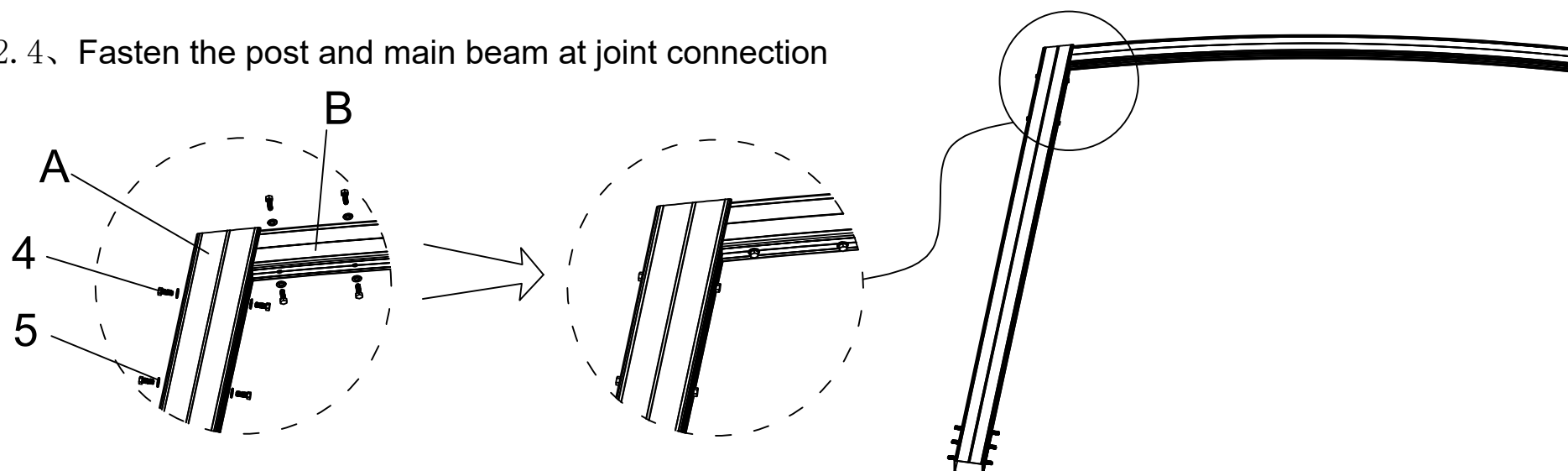
2.2、 Insert the joint into the post



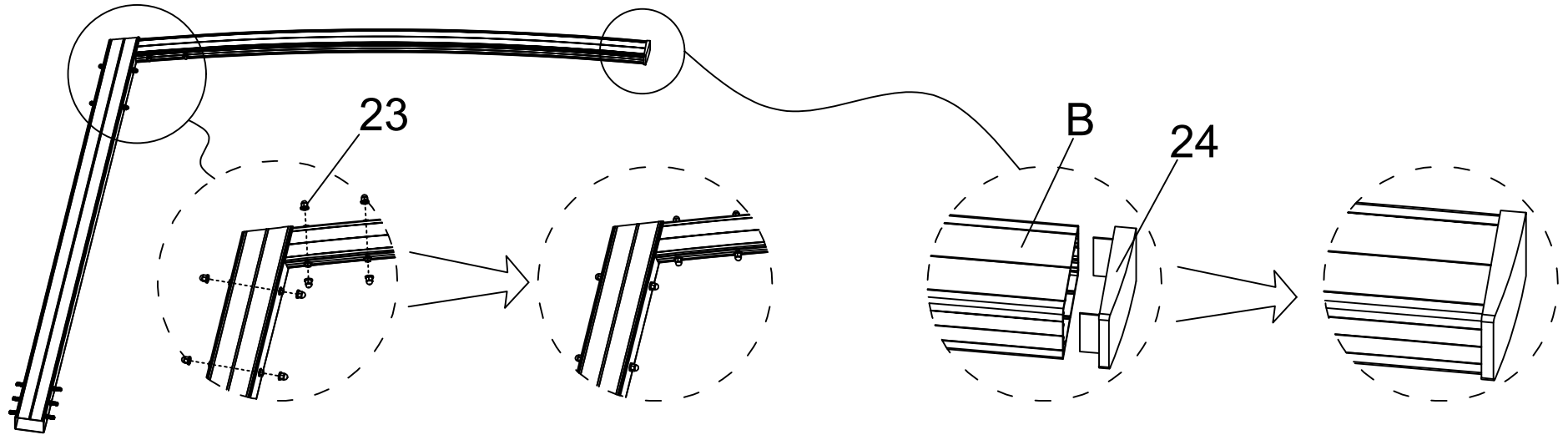
2.3、 Insert the main beam into the joint



2.4、 Fasten the post and main beam at joint connection

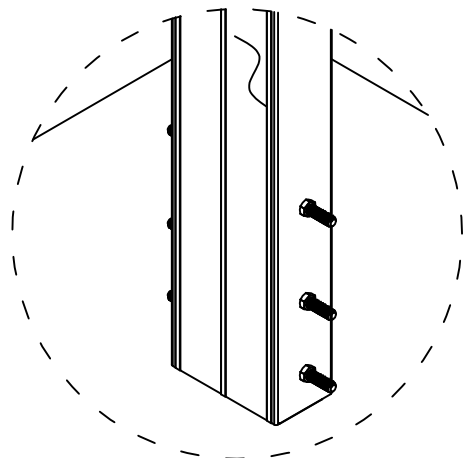


2.5、 Install the bolt cap and main beam cap

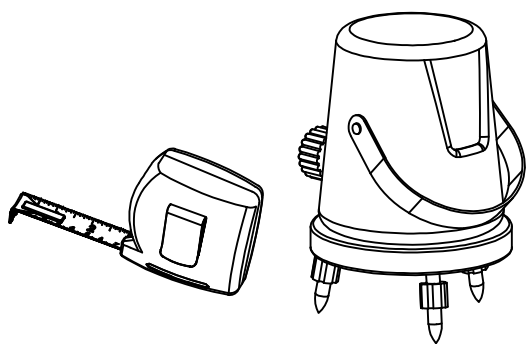
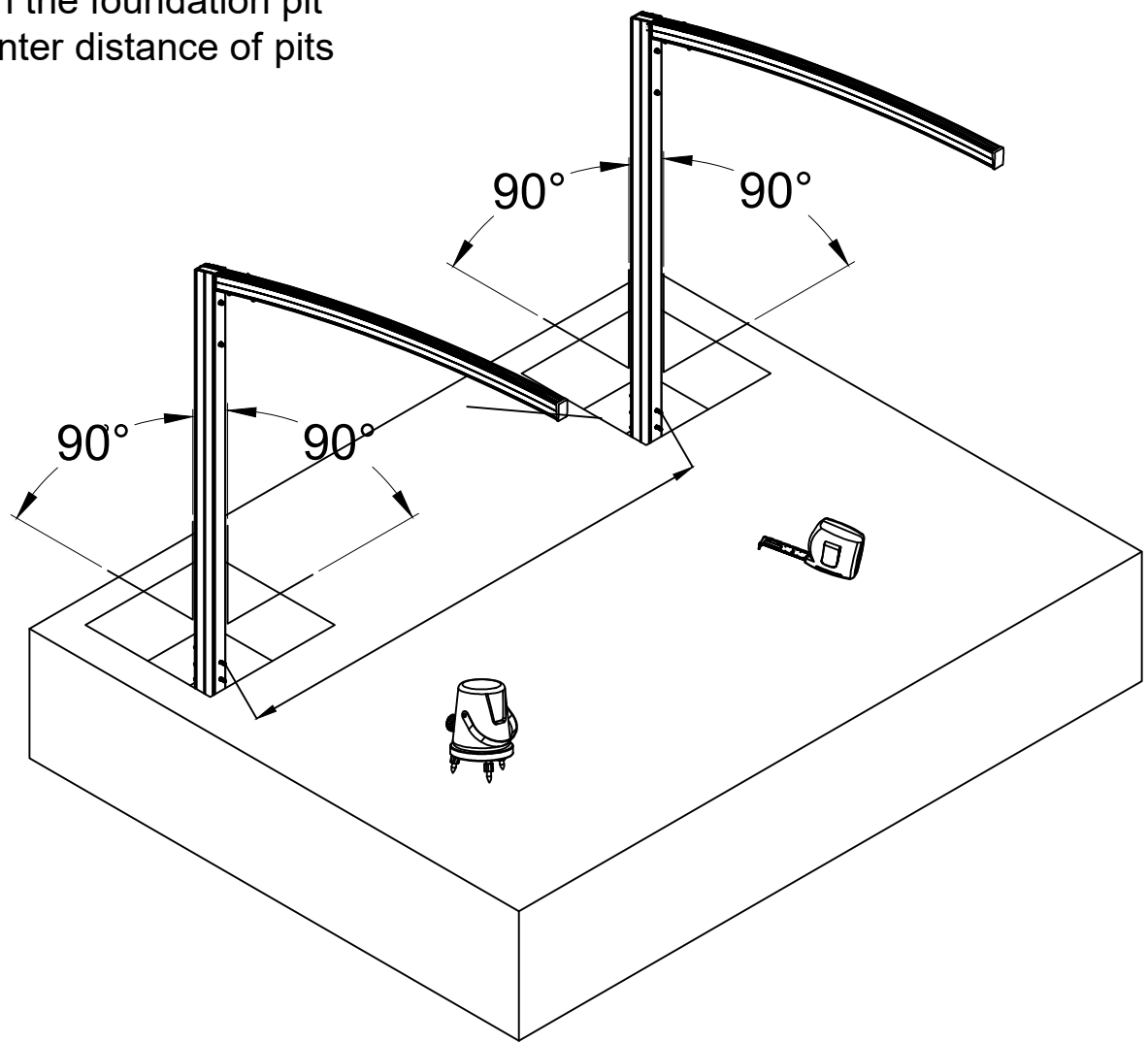


### Step3: Stand the post and main beam

3.1、 Stand the assembled post and beam in the foundation pit ,adjust the floor level , vertical level and center distance of pits

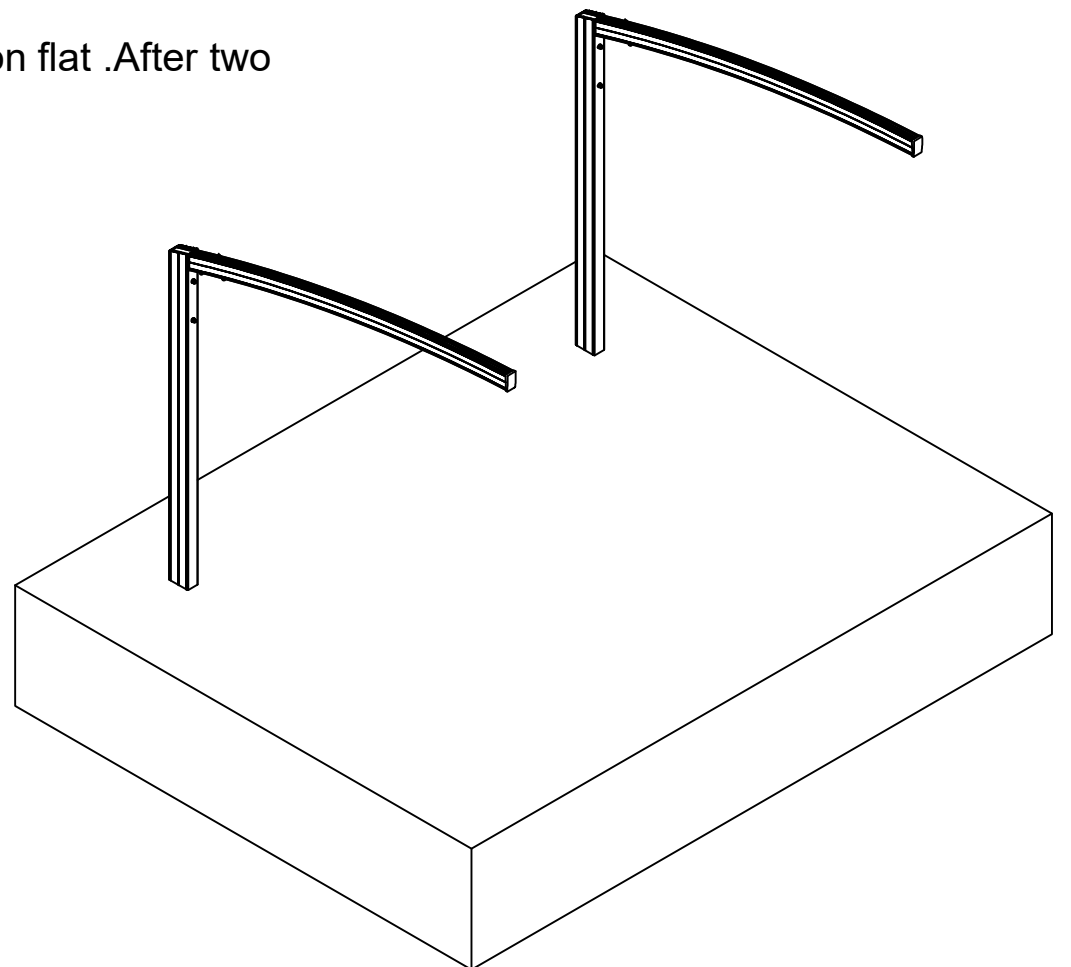
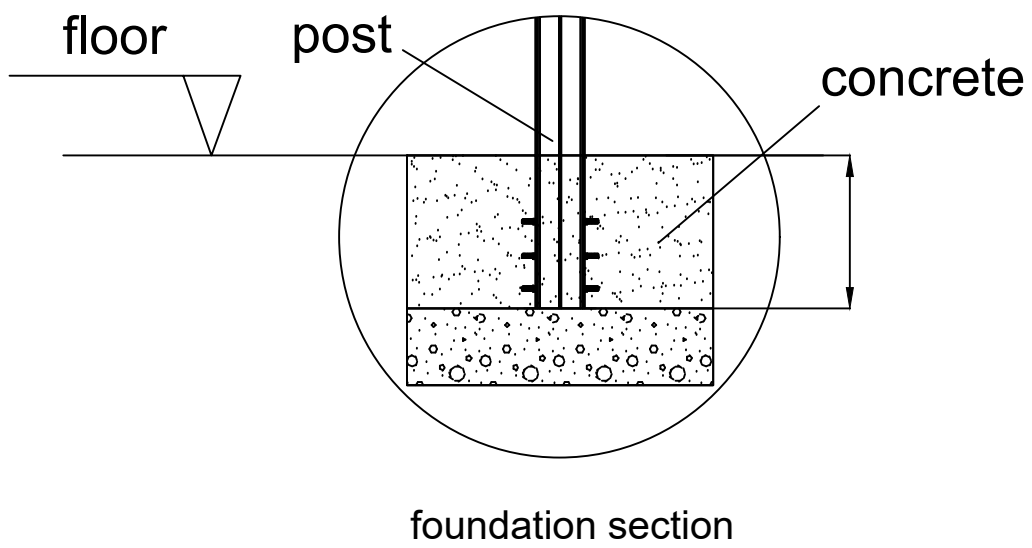


3.1.1、 stand the post



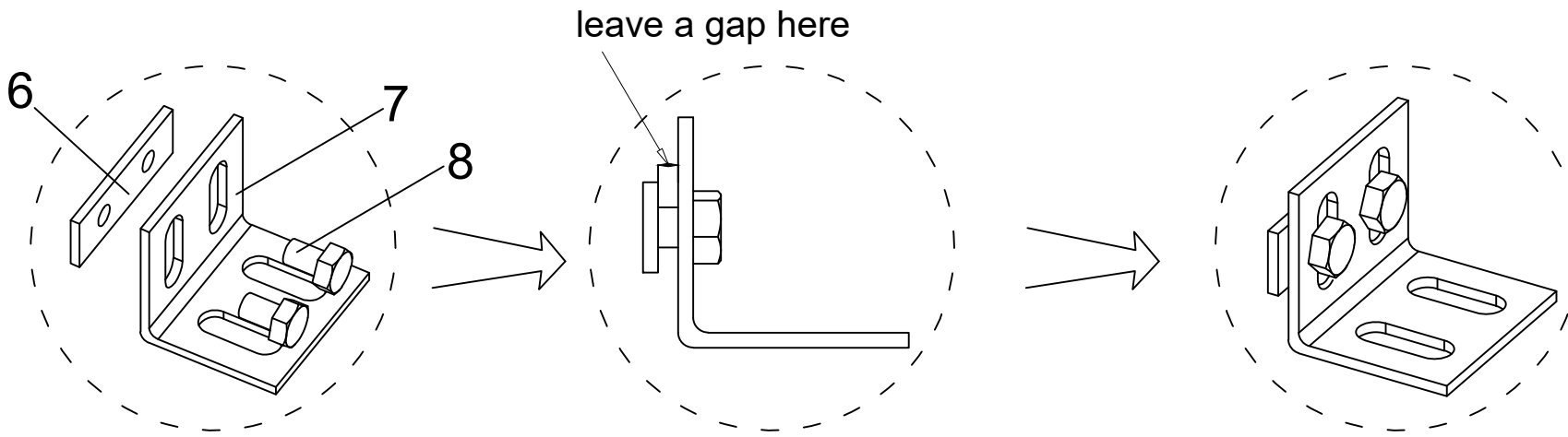
3.1.2、 adjust the position

3.3、 Fill the concrete into the pit and keep the foundation flat .After two days waiting and the floor is solidified

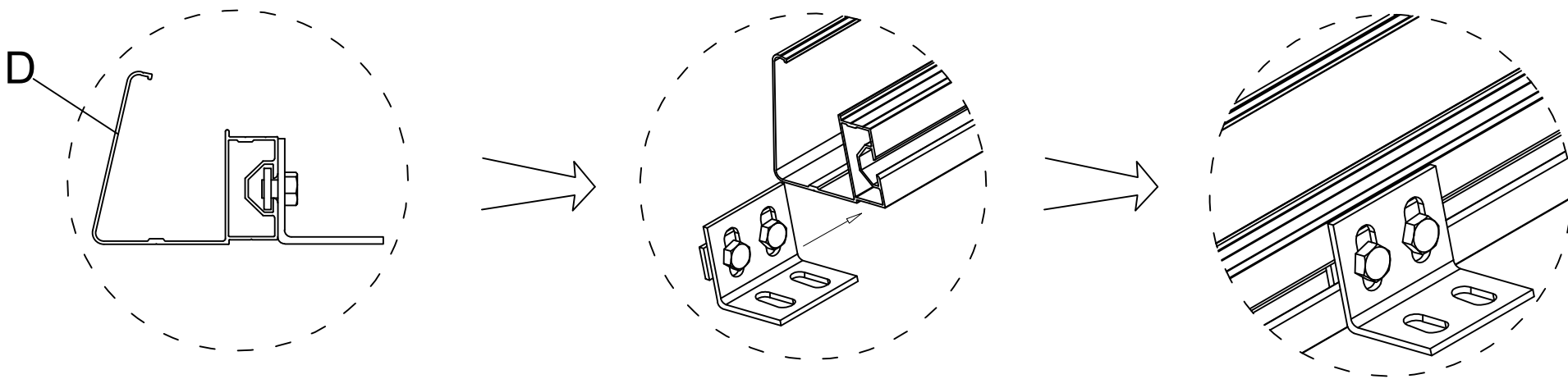


Step 4: Install gutter ,front eave and side frame

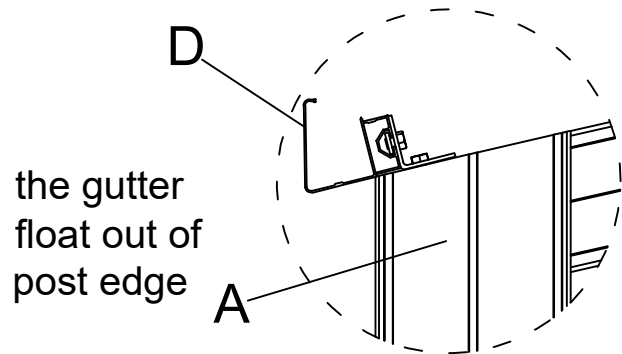
4.1、 Assemble the brackets



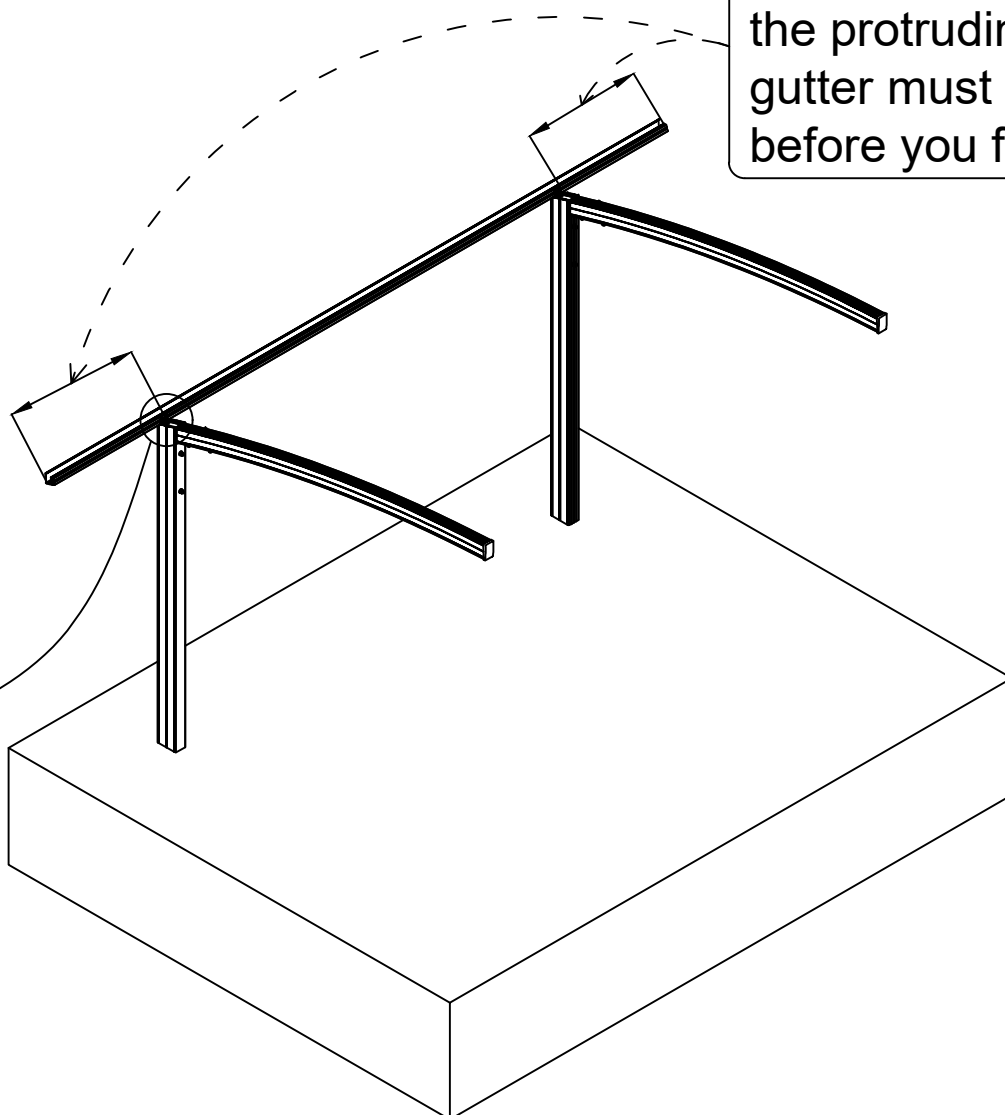
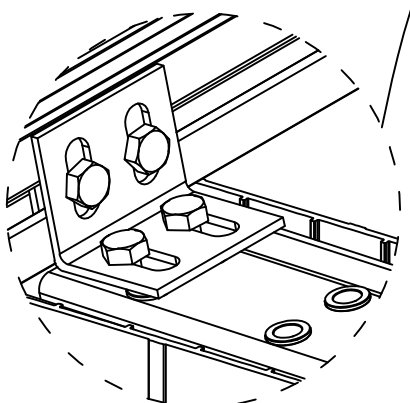
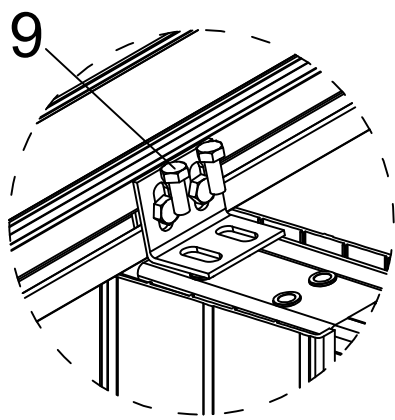
4.2、 Insert the brackets into the gutter in advance ,the number is equal to main beam numbers



4.3、 Settle the gutter on the top of post ,move the brackets to main beam joint,align the brackets and joint screw holes .fasten the screw and tighten the barcket slider screws

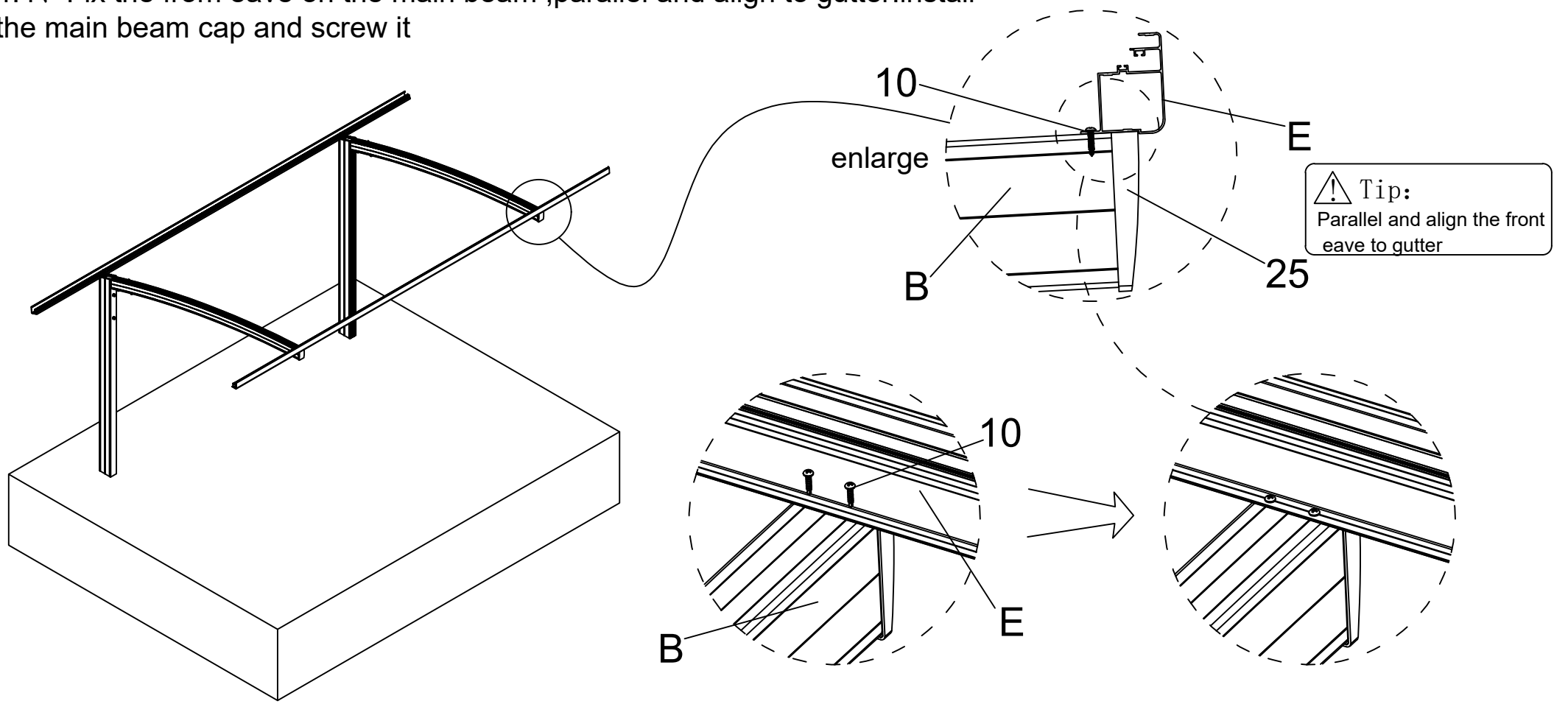


⚠ tip:  
the protruding width of gutter must be same before you fasten it



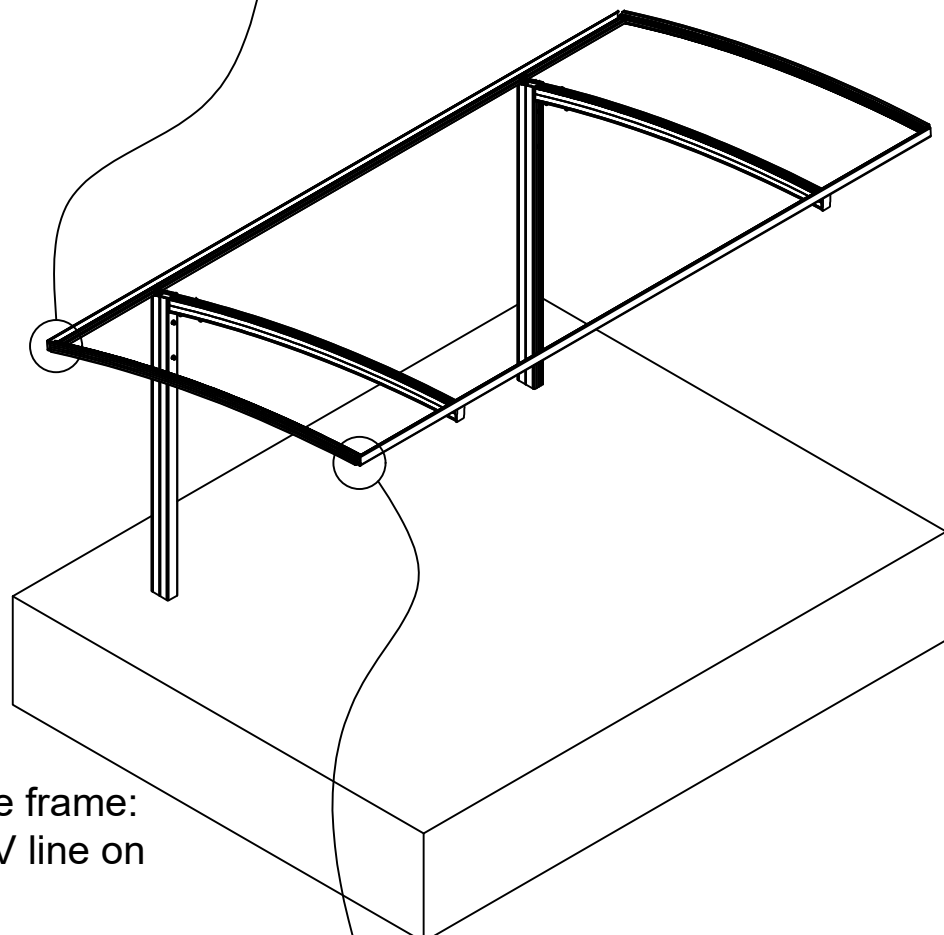
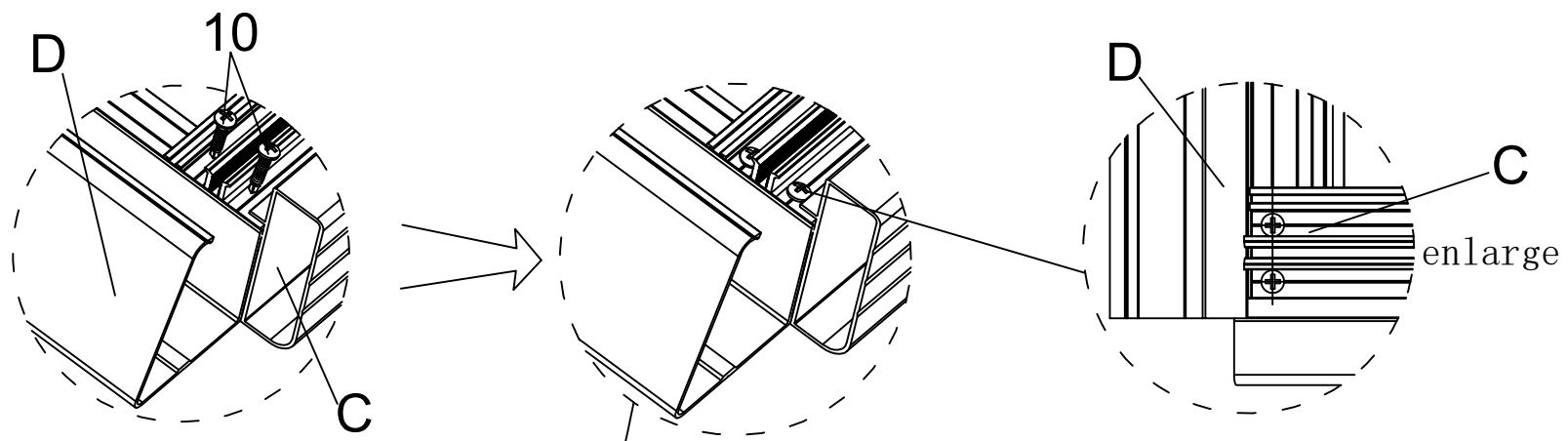


4.4、 Fix the front eave on the main beam ,parallel and align to gutter.install the main beam cap and screw it

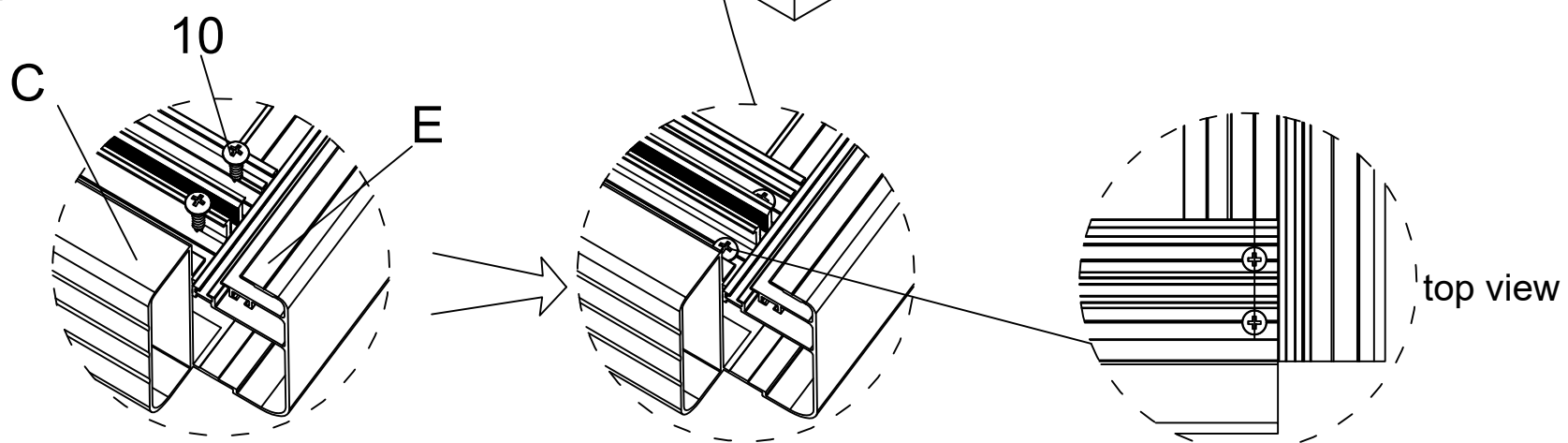


4.5、 Install the side frame at both sides

4.5.1, screw gutter and side frame:  
screw at the intersection of V line on the profile

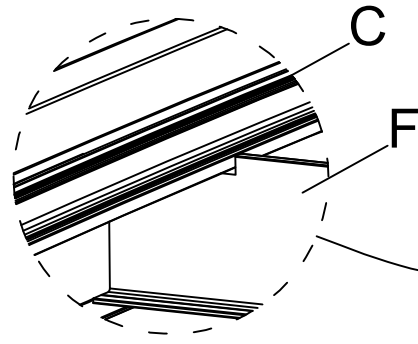
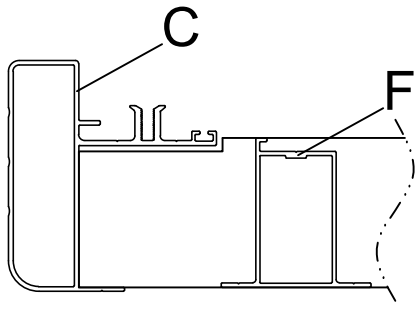


4.5.2、 screw gutter and side frame:  
screw at the intersection of V line on the profile



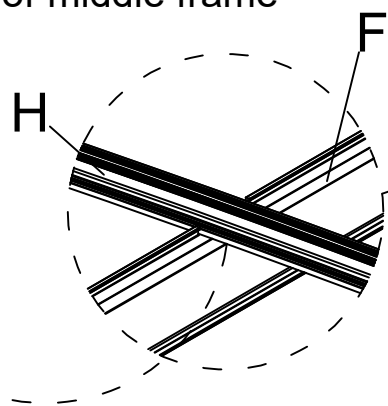
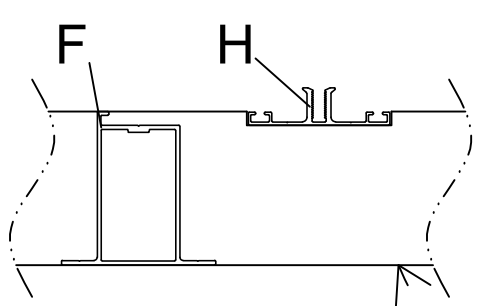
## Step 5: Install middle frame and the lower capping

5.1、 Put the middle frame on the roof and stuck into the side frames

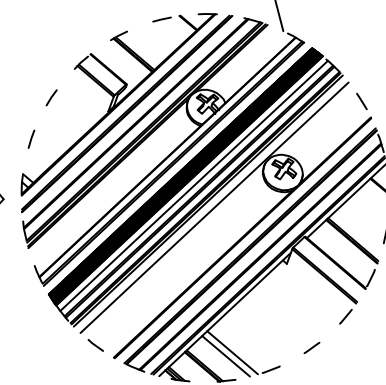
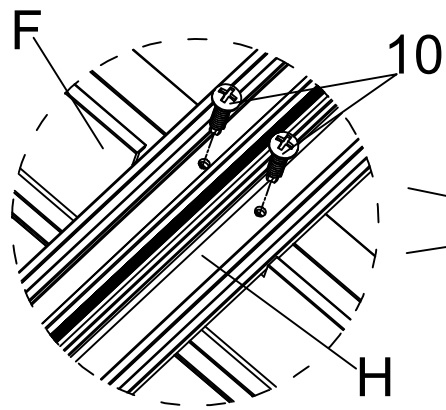
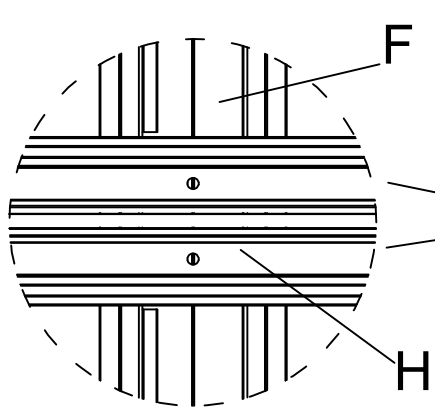


5.2、 Posit the middle frames

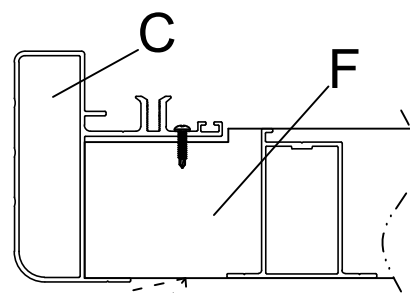
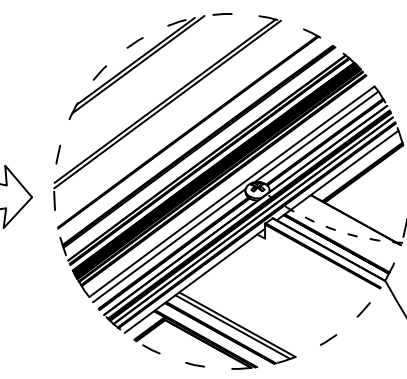
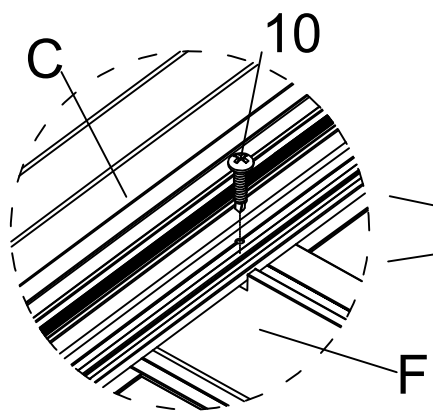
5.2.1 Take out of 2 pcs of lower capping ,and stuck them in the groove of middle frame



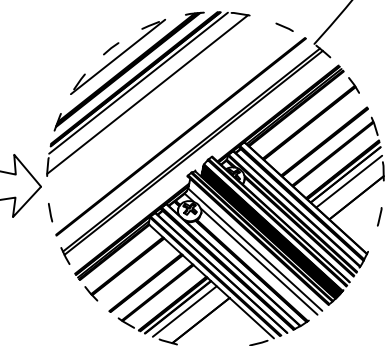
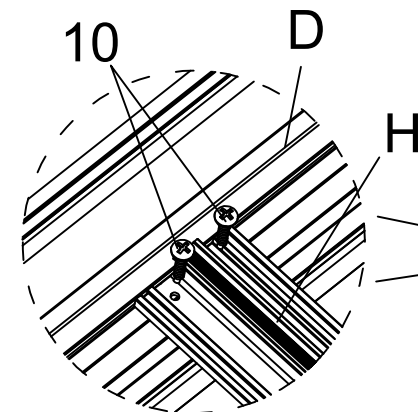
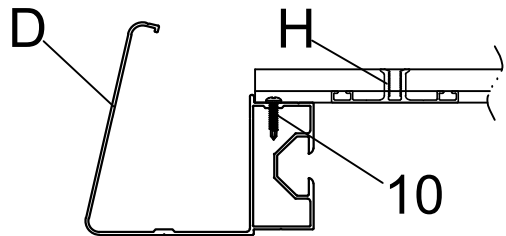
5.2.2, Align the lower capping with V ling ,and screw it . there are screw holes on the lower capping



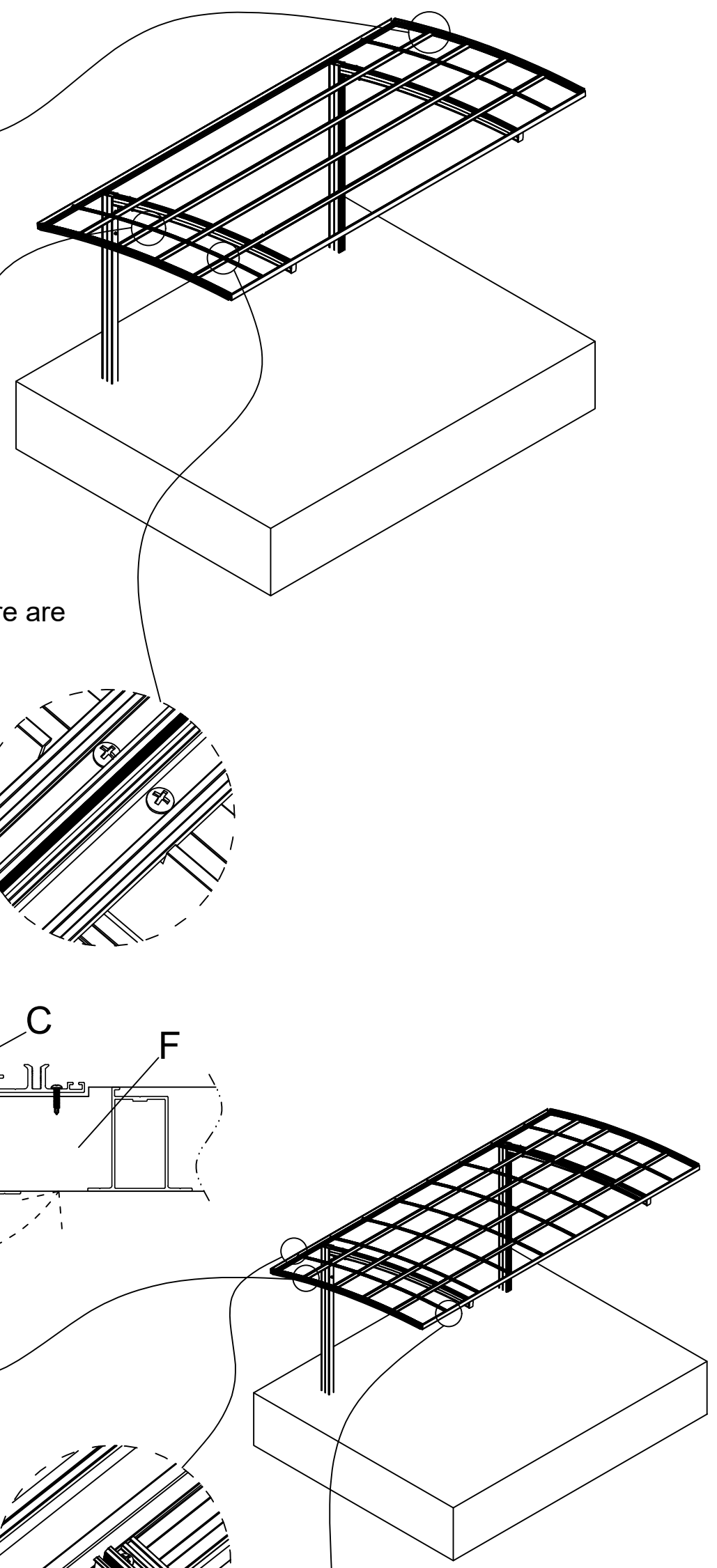
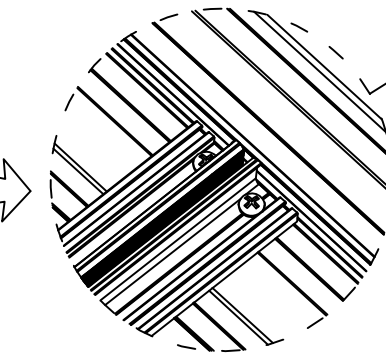
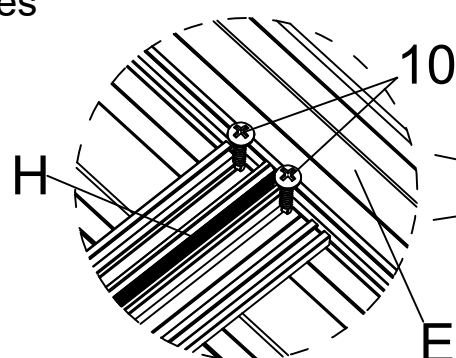
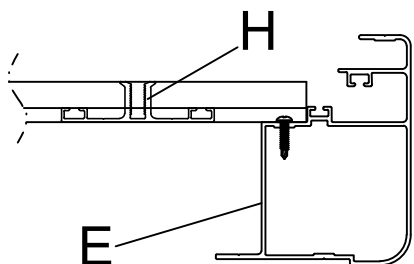
5.3、 Screw the middle frame with side frame ,screw it at interstercion of V-lines on the profiles



5.4、 Fix the lower capping with gutter align the pre-drilled holes and screw them

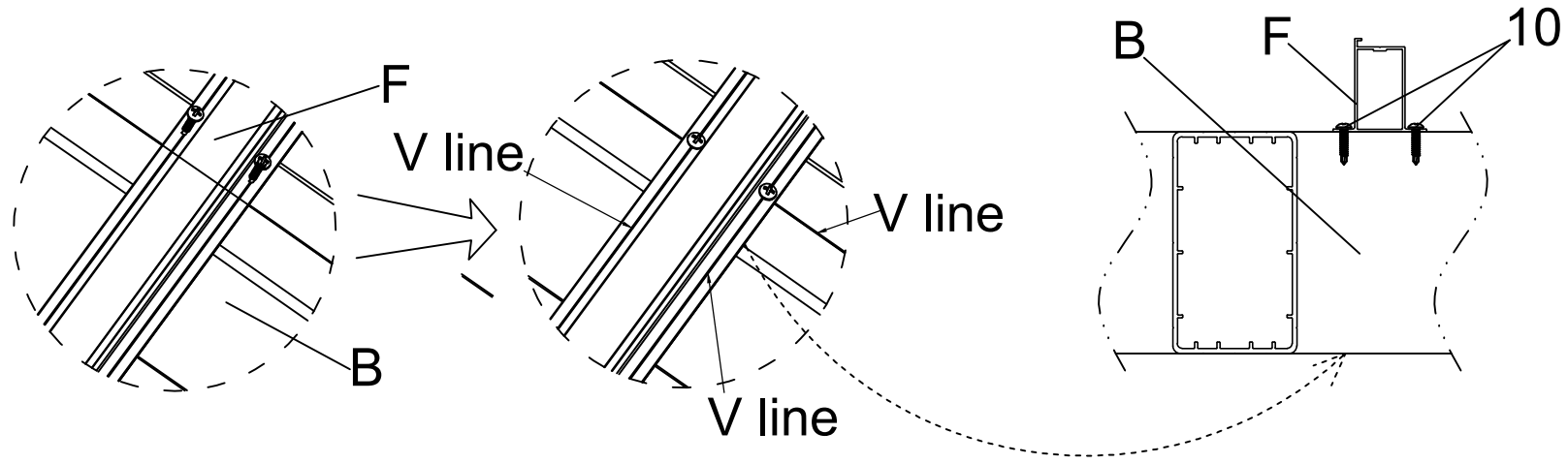


5.5、 Fix the lower capping with front eave align the pre-drilled holes and screw them



5.6、 Fix the middle frame with post

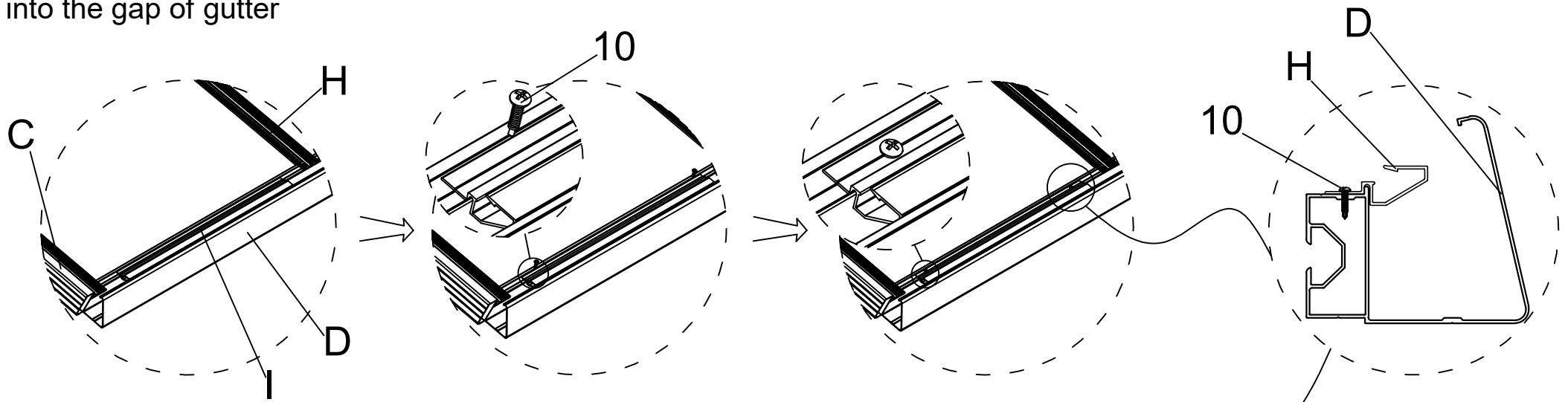
screw it at the intersection of V-lines



### Step 6: Install the snap-gauge and PC sheets

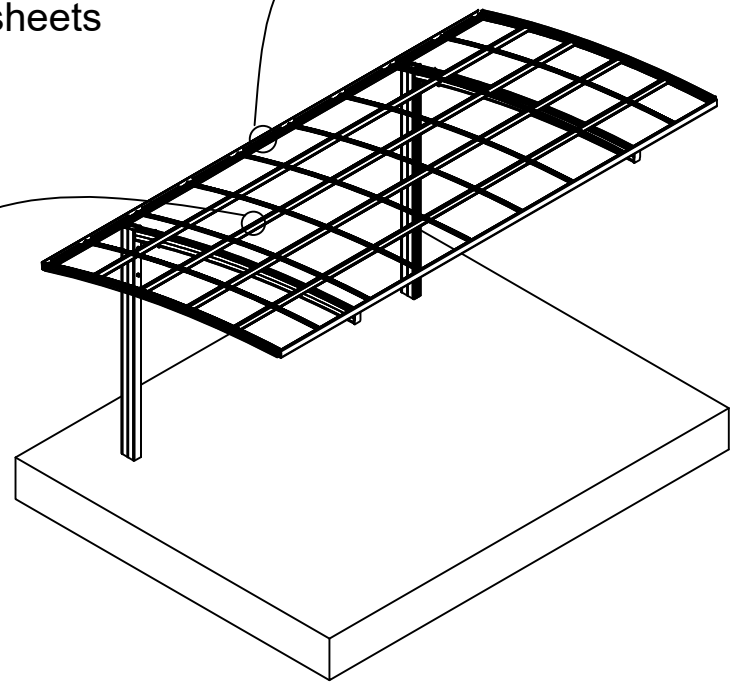
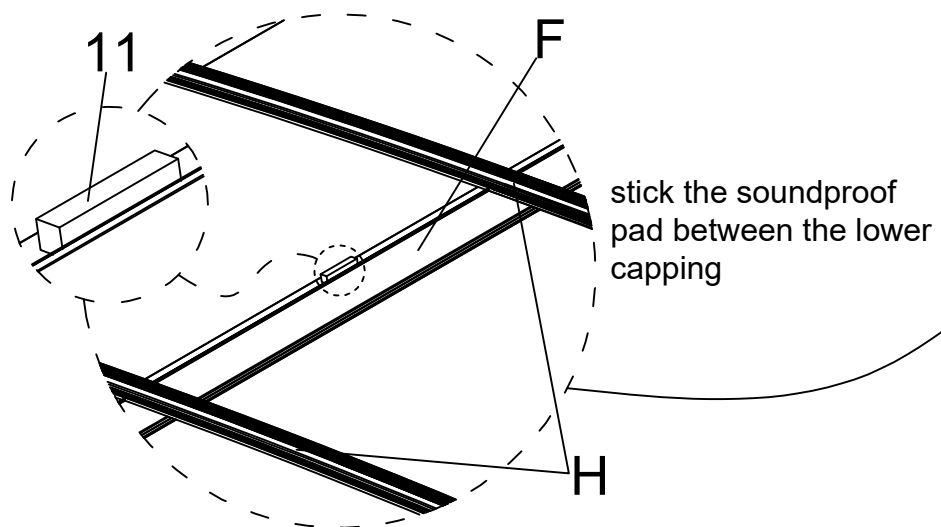
6.1、 Stuck the snap-gauge into the gap of gutter

6.2、 Screw the snap-gauge at the position of 30mm distance to the end



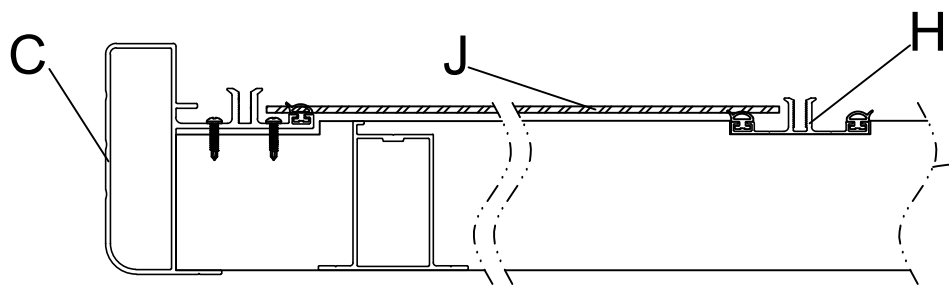
6.3、 Install the PC sheets

6.3.1、 You should stick the soundproof pad before install PC sheets



6.3.2、 You should check all PC sheets position and start from any side

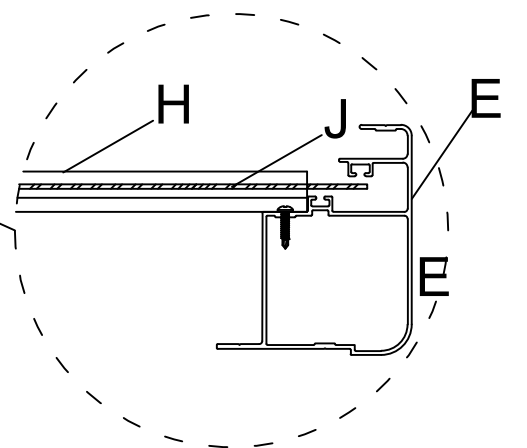
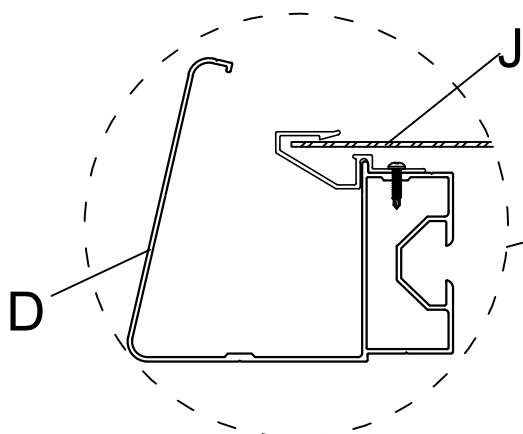
6.3.3、 Remove the protection film and settle the PC sheets between the side fram with lower capping



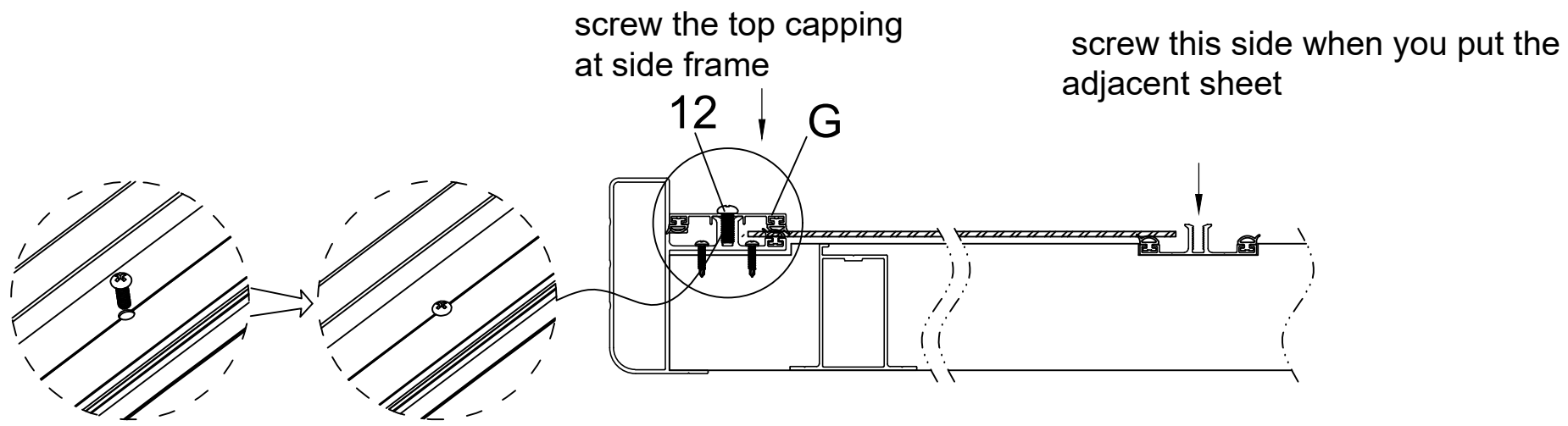
⚠ Tip:  
remain a little gap at the ends

6.3.5、 Insert the PC sheets into the front eave

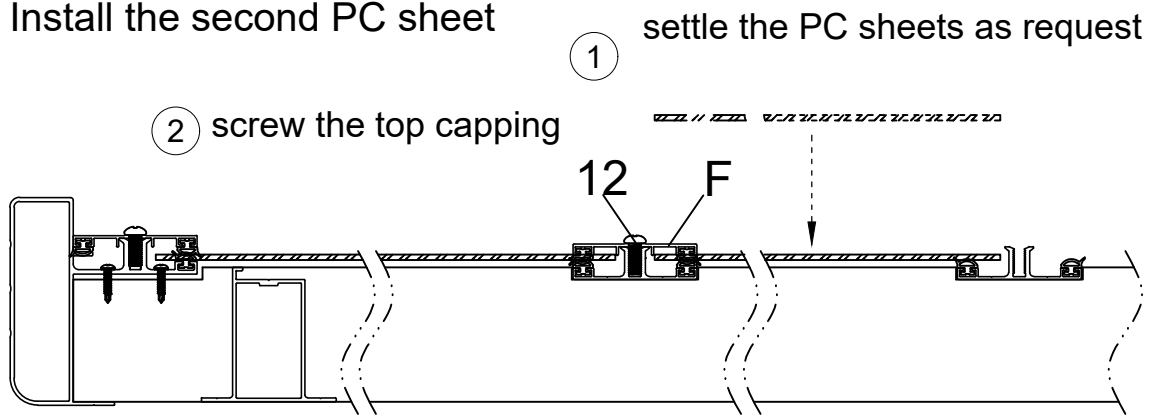
6.3.4、 Stuck the PC sheets into the groove of gutter



6.3.6、 After you finish the PC sheets installtion , you should cover the top capping and screw them



6.3.7、 Install the second PC sheet

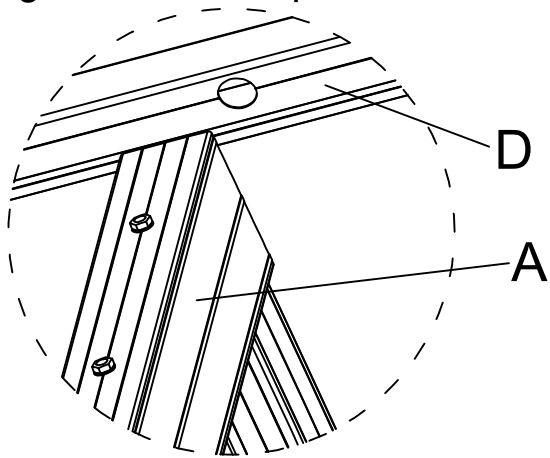


6.3.8、 Install the remain PC sheet as previous

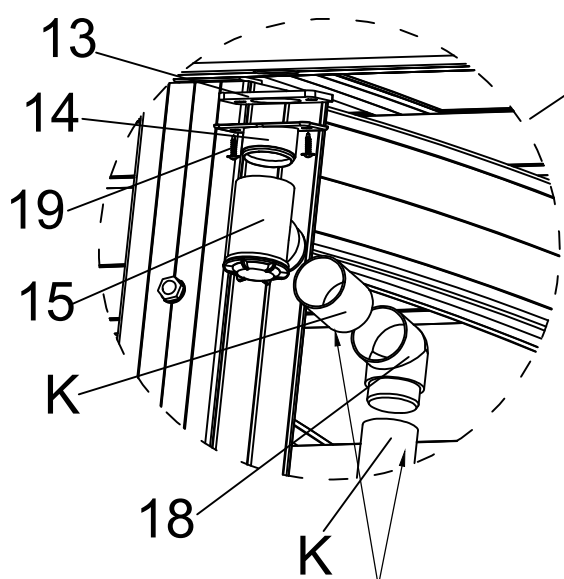
### Step 7: Install the drainage system

⚠ Tip:  
You should cut the downpipe as request

7.1、 Open a hole diameter  $\text{Ø}35\text{-}\text{Ø}38\text{mm}$  on the gutter ,close to post

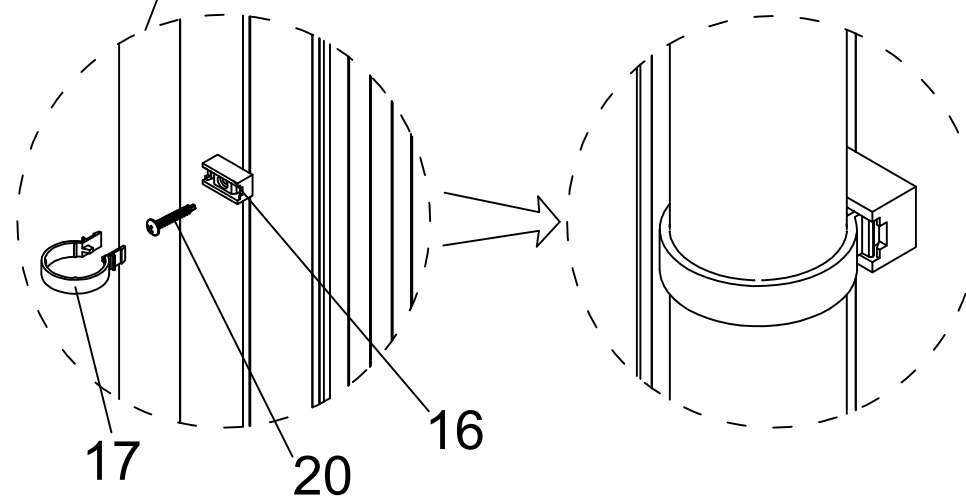


7.2、 Install the downpipe

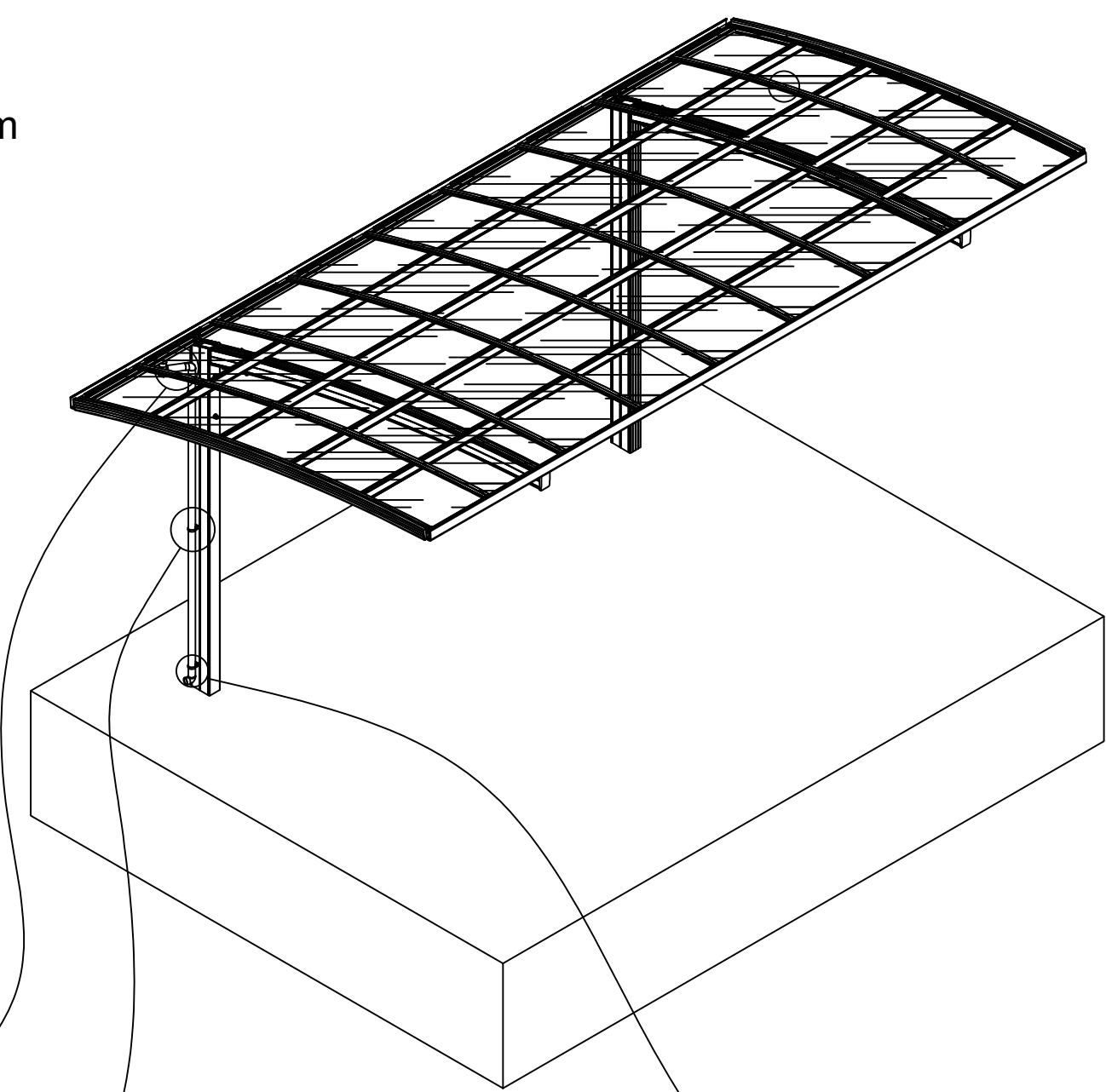
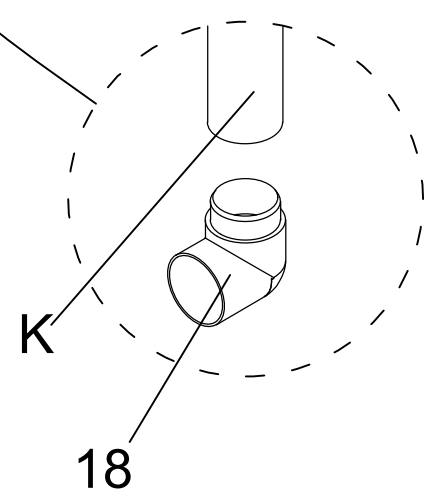


cut the downpipe as request

7.3、 Install the downpipe holder

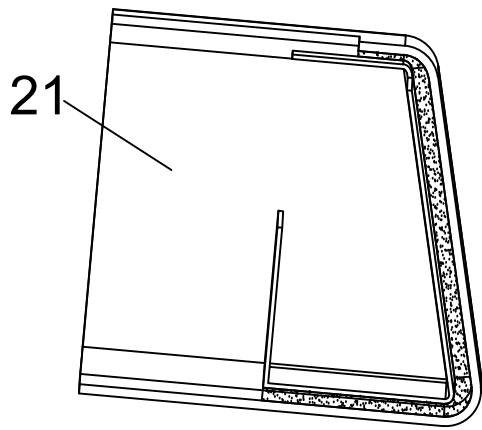


7.4、 Install the downpipe elbow

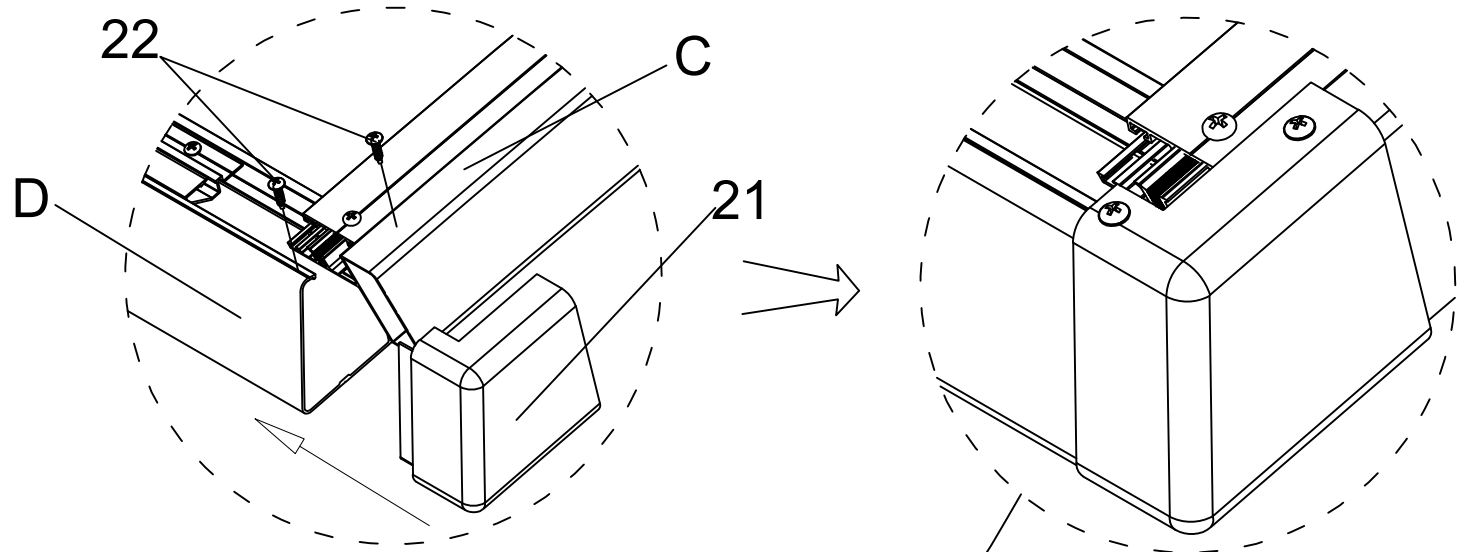


### Step 8: Install the gutter caps

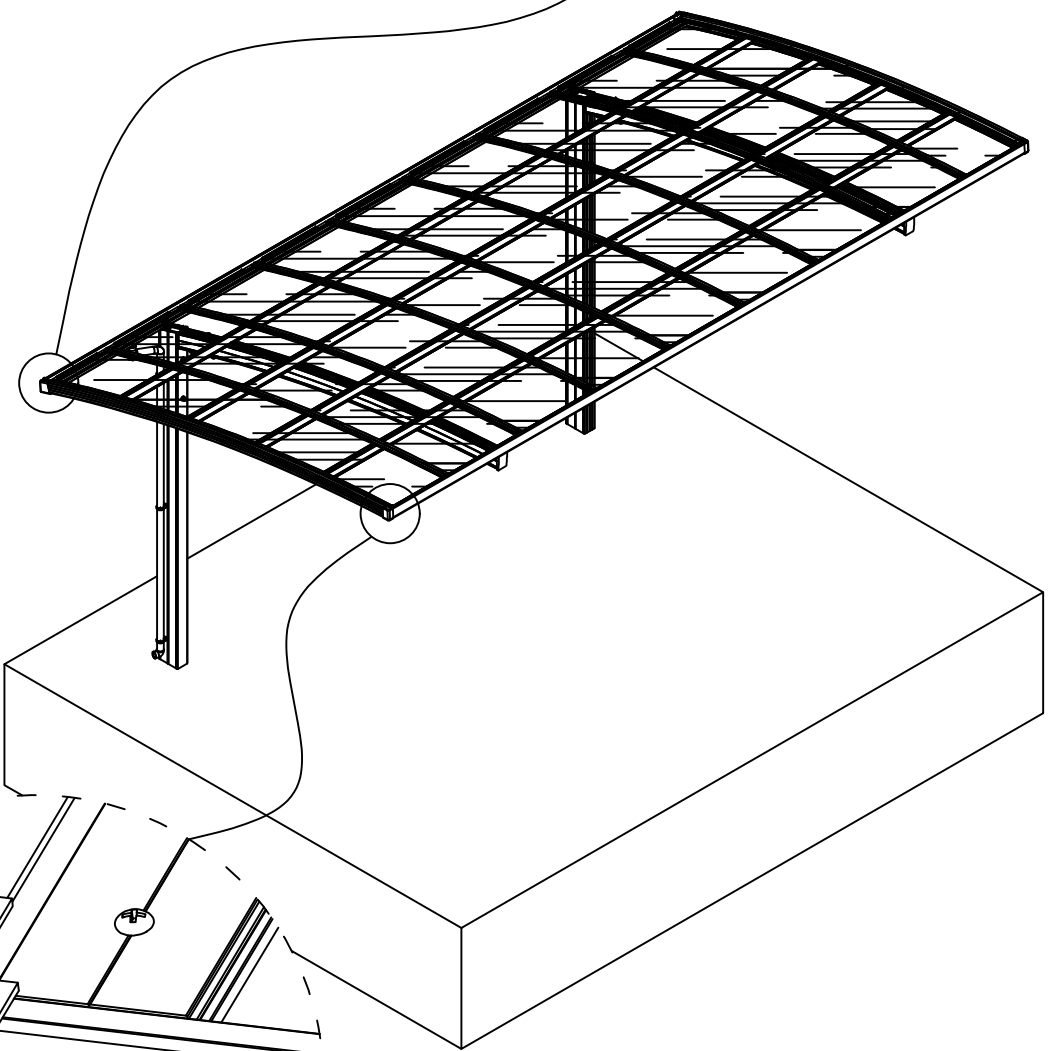
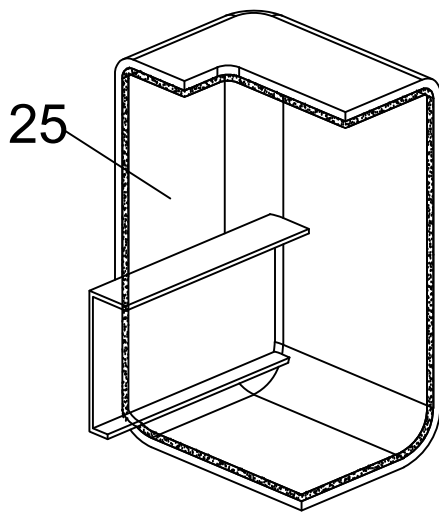
8.1. Spread silicone sealant on the cap



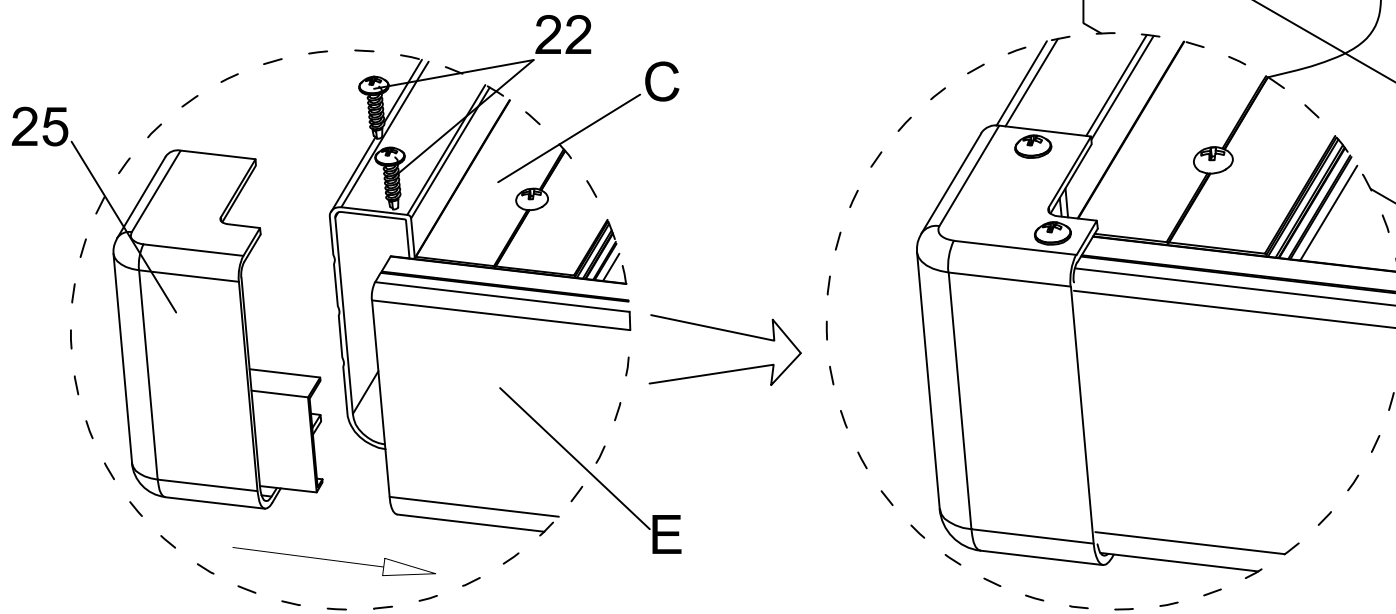
8.2. Screw the gutter cap at the corner of gutter and side frame



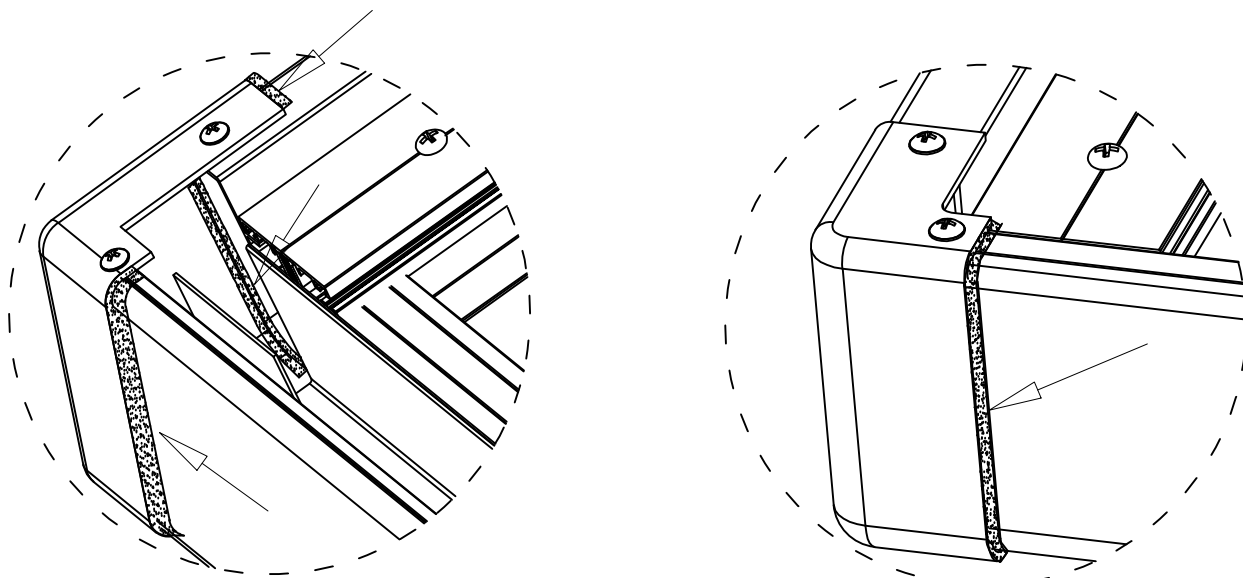
8.3. Spread silicone sealant on the front eave caps



8.4. Insert the cap into the corner and screw it



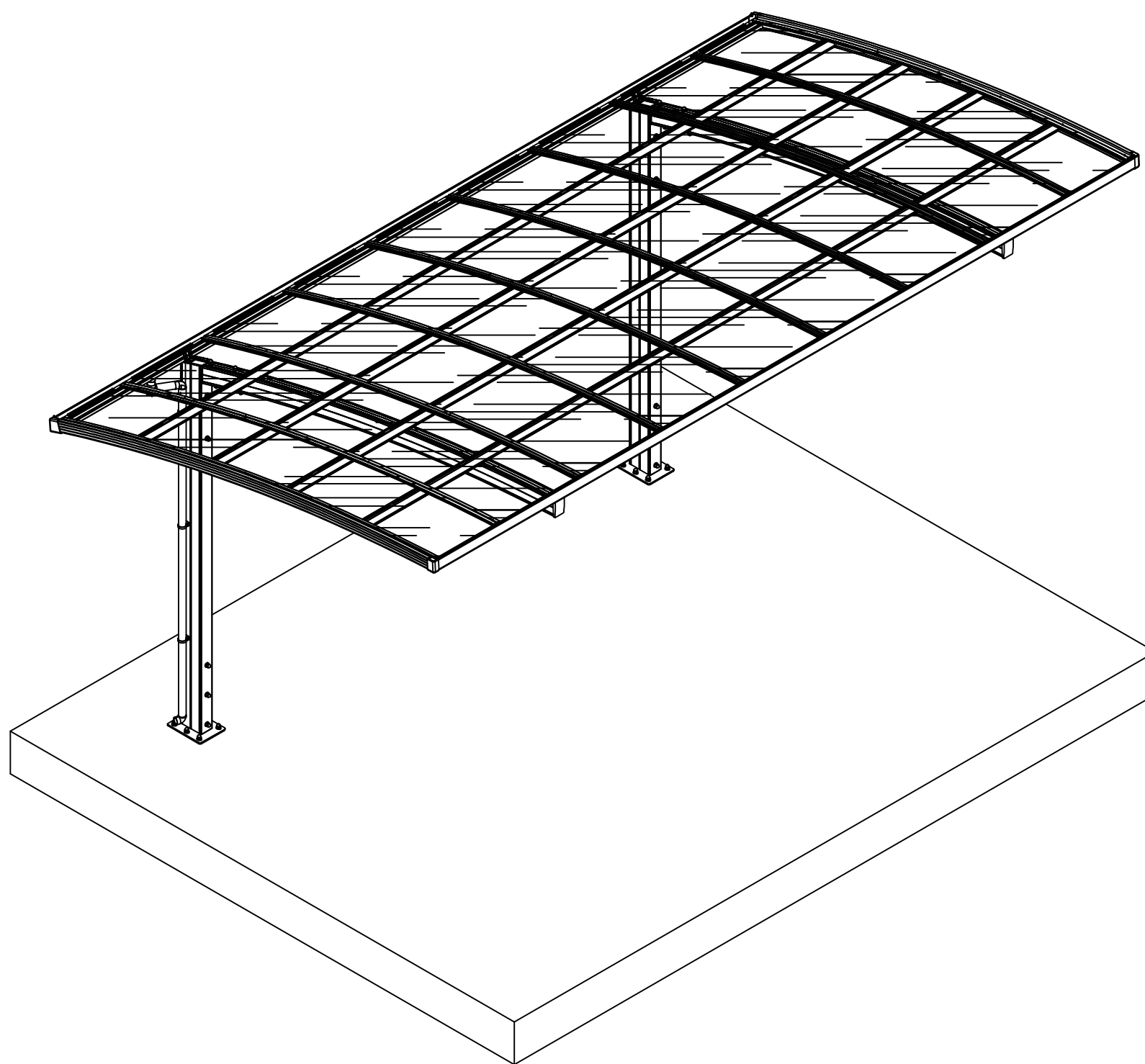
8.5. Spread silicone sealant on the gaps again .



 Tip:  
The silicone sealant part is essential

# Complete

# MODEL A6 CARPORT INSTALLATION INSTRUCTION FIX ON THE FLOOR



## additional components

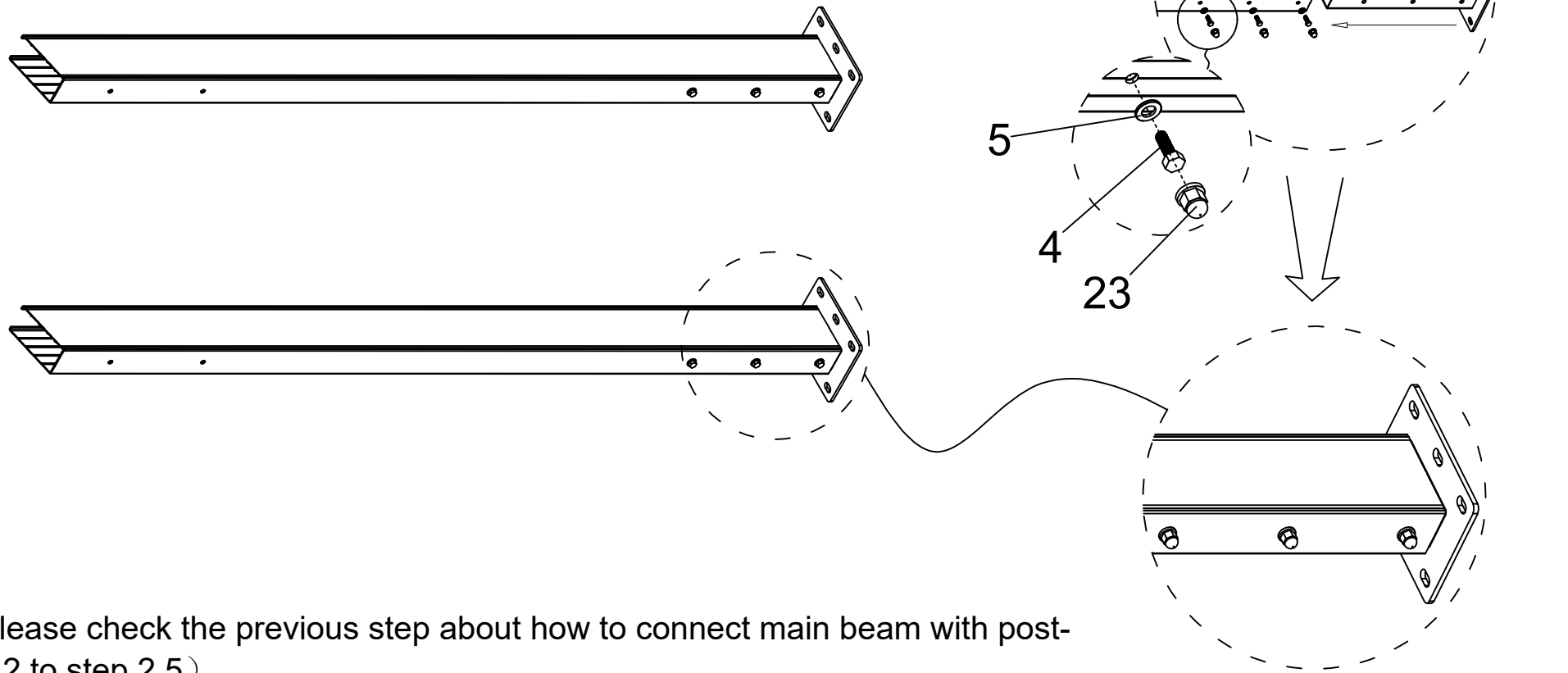
code	name	photo
26	600mm height hot galvanixed foot plate	
27	SUS hex expansion bolt (M10*100)	

## Below hardware are unnecessary

code	name	photo
1	M10X250 gavanized screw pole	
2	M10 buts	

### Step 1: Assemble the post and main beam

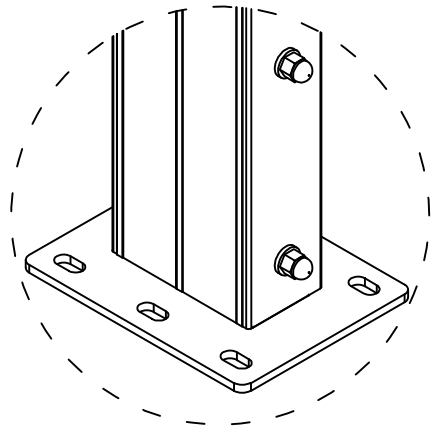
1.1、 Insert the foot plate into the post ,align the screw holes and fasten it .



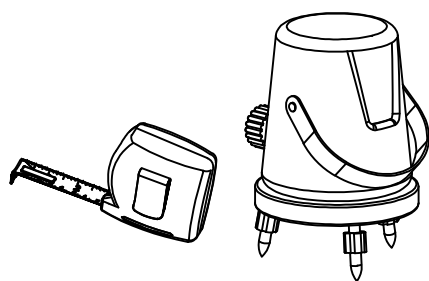
1.2、 please check the previous step about how to connect main beam with post- step 2.2 to step 2.5)

### Step 2 .Assemble the post and main beam

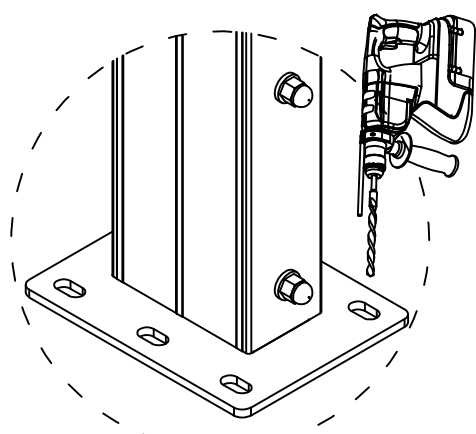
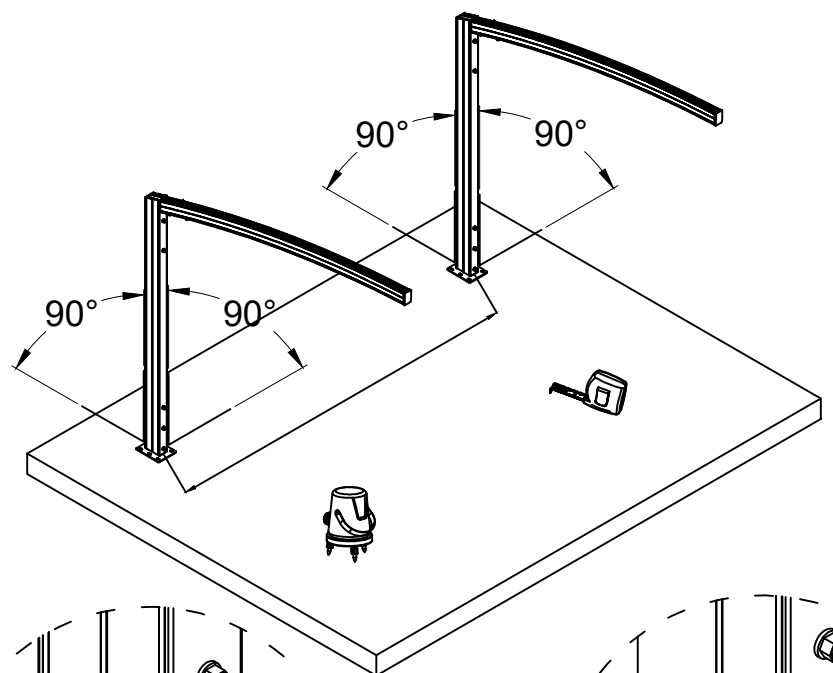
2.1 Stand the assembled post and beam on the floor ,adjust the post level , vertical level and center distance of pits



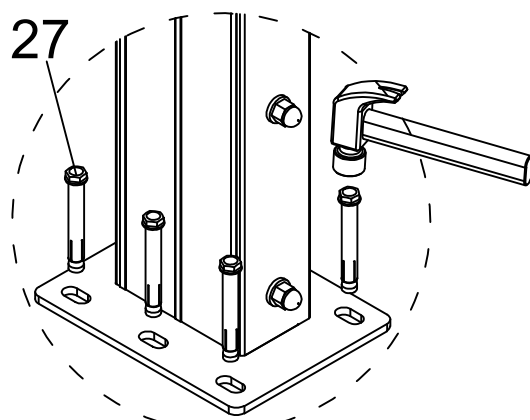
2.1.1、 stand the post



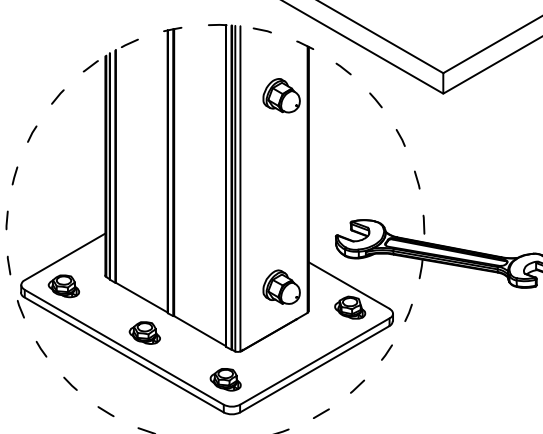
2.1.2、 adjust position



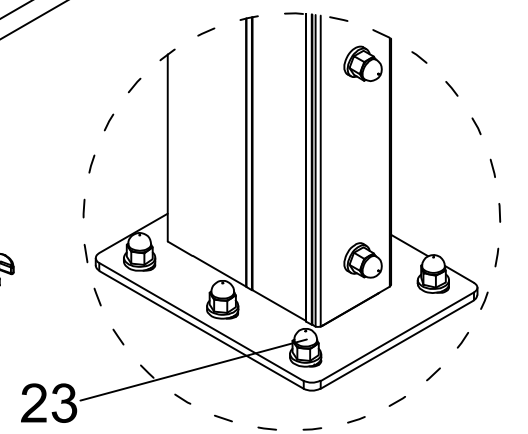
2.1.3、 drill a hole diameter  $\varnothing 14\text{mm}$ ,depth above 100mm



2.1.4、 Stuff the expansion bolts



2.1.5、 fasten the foot plate



2.1.6、 cover a cap

Please check the previous installation steps frtom STEP 4 TO STEP 8

complete

## Letter of thanks

Dear customer

I would like to take the opportunity to thank you for your patronage and purchasing our products .I assure you have purchased the perfect carport for you. Our team hopes you love our carport and provide a good place for your love vehicle .We are a customer-centric company . You are always welcomed to give us feedback ,suggestion and request .Your feedback and comments are very important for us because they help us improve our service. We will be delighted to know what you think about our products. Please feel free to leave reviews on our website or call us directly .

Thanks again and we are pleasure to serve you , if there is anything is not clear to you ,please contact us .

Gratefully

LIVING CULTURE