

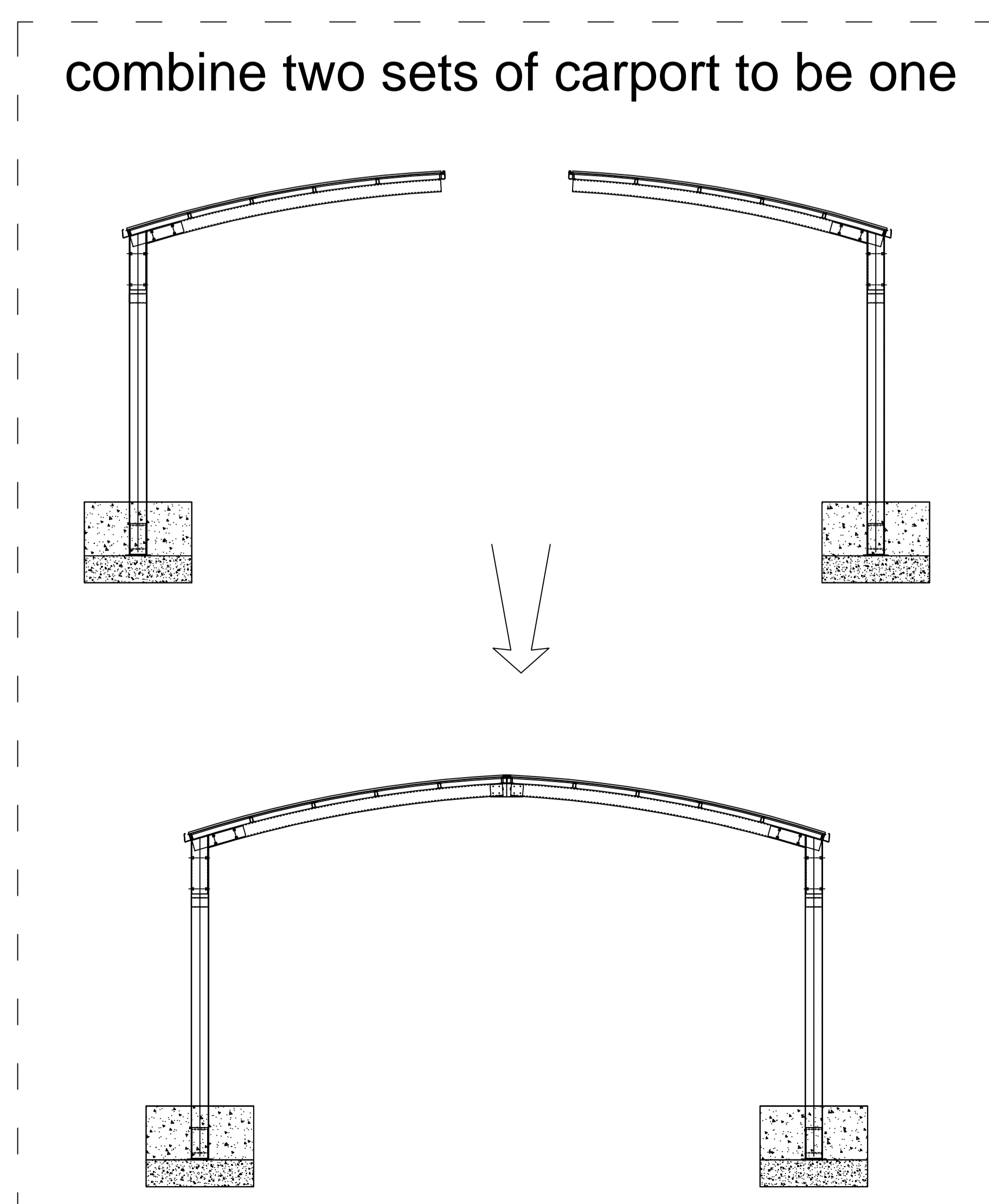
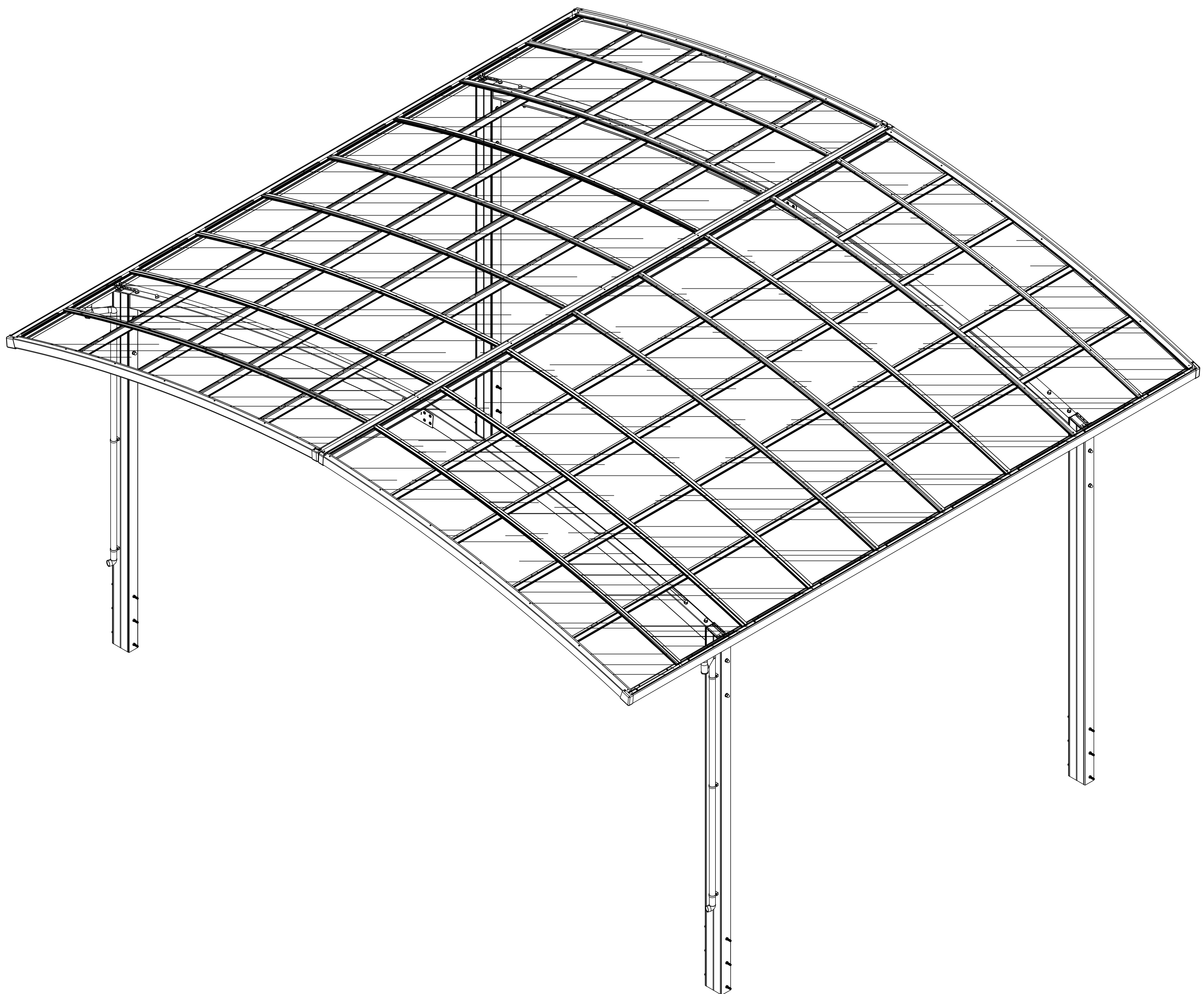


LIVING CULTURE

# MODEL A6R CARPORT

## Combine two sets of single carport to one complete arch carport

### INSTALLATION INSTRUCTION



2024-5-9

# INSTALLATION NOTES

Before you start to install products ,please read below notes:

1.This is a general version manual .make sure that you review the design when placing an order and read this manual several times before you start to assemble carport ,this installation steps can be referred to in this manual ,However ,other specific details such as drainage direction ect. should be accord to the drawing of the order placed

2.Check the package list and confirm all items on the list ! Do not throw away any packages until the carport is installed successfully

3.Minimum 3 people are required during the installation

4.It needs 2 people to lift the product parts from the package ,please put the products very gentle ,it is better to cover a carpet or hard paper box on the flooring to protect it from scratching

5.You should better to screw the pergola on a flat concrete floor or do pre-embedded into the floor

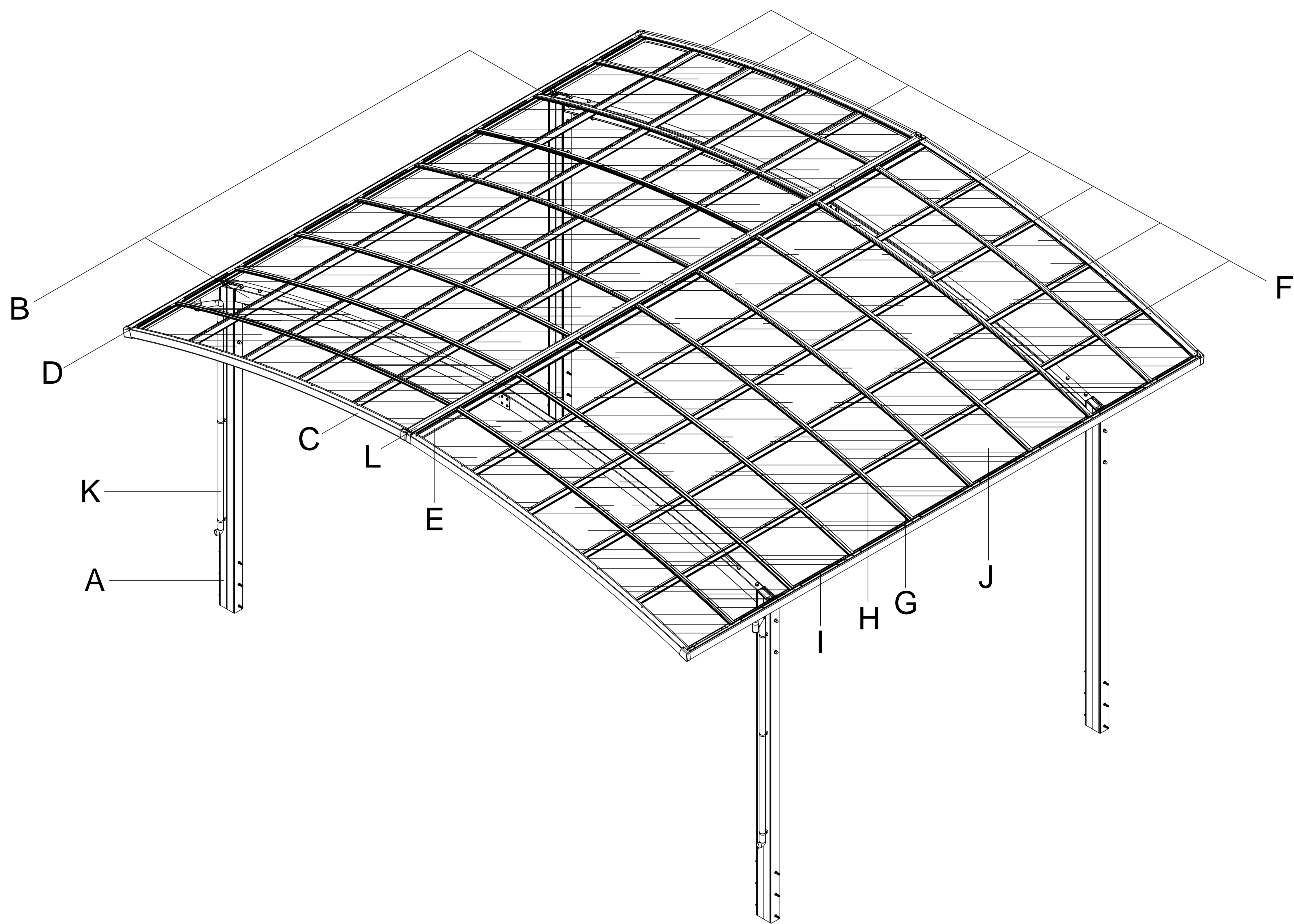
6.You should remove the film coated on the products entirely during the installation ,because it is difficult to remove them after explosion under hot temperature

7.Please do not DIY our product and take use of the other alternative accessories when you changethe original design ,which will void your warranty

8.We hold no responsibility for any damage caused due to human factor ,especially incorrect assembly

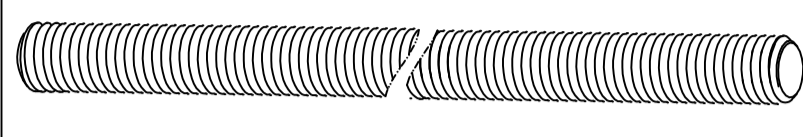
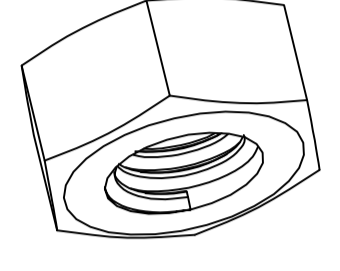
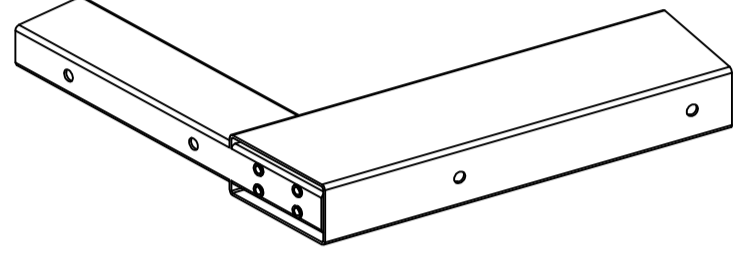
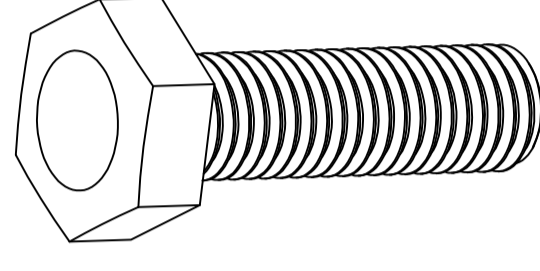
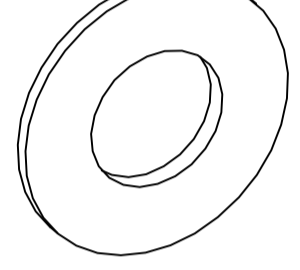
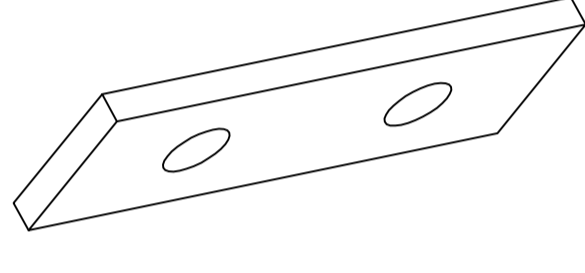
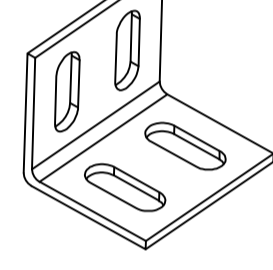
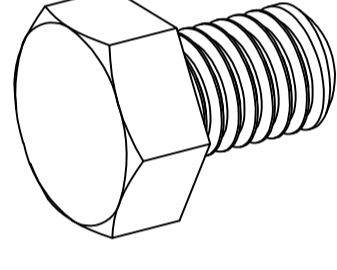
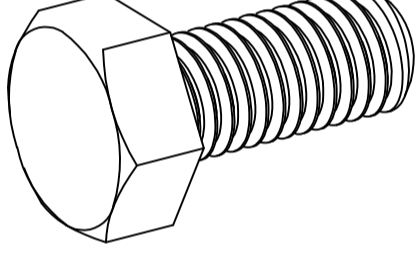
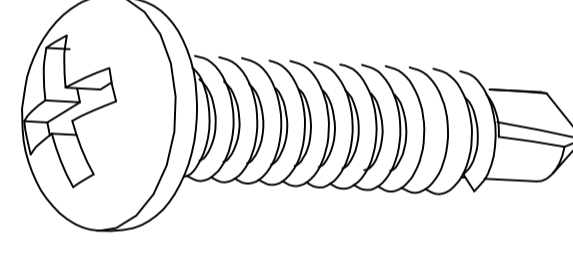
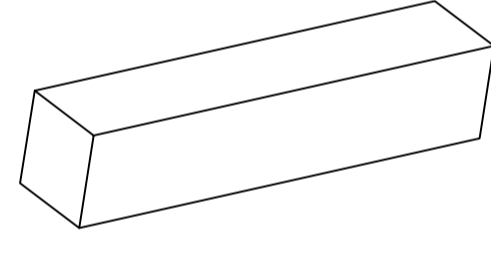
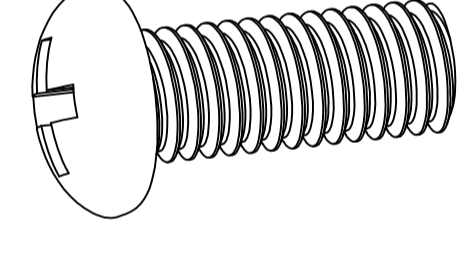
9.During the installation process, if you encounter any uncertainties, please refer to the installation instructions on the product page of the website.

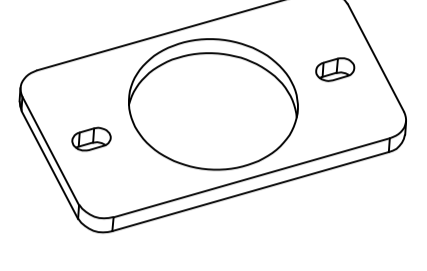
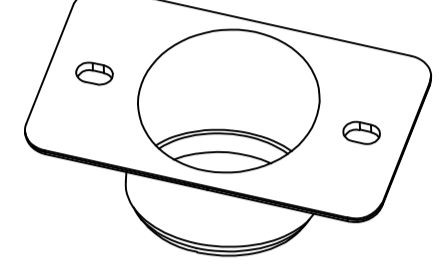
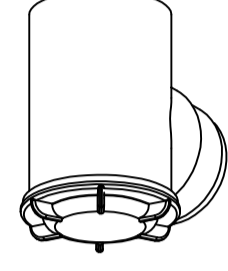
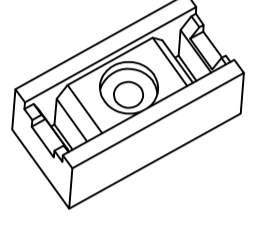
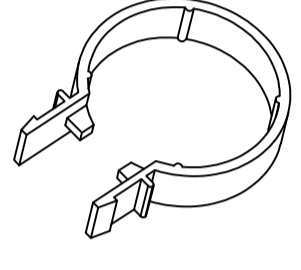
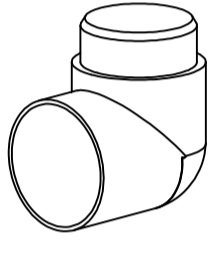
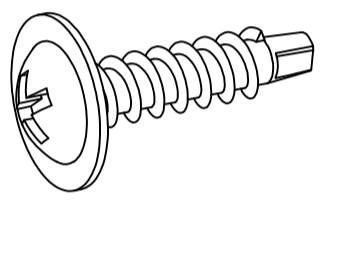
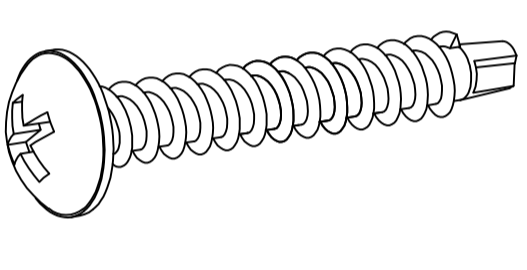
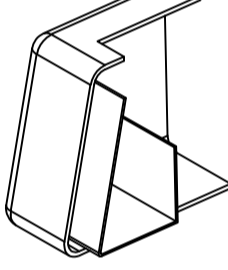
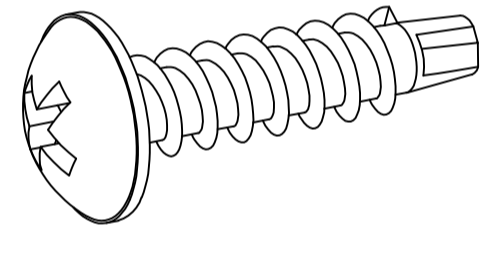
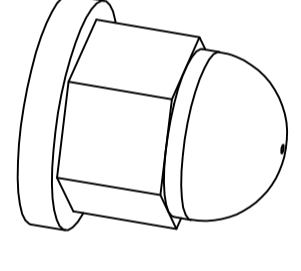
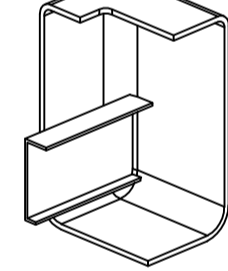
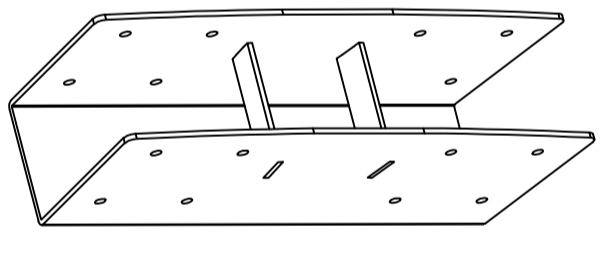
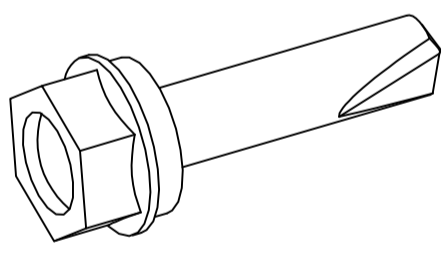
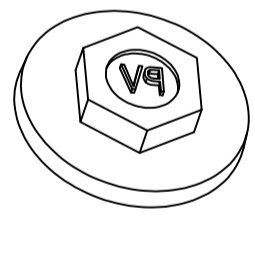
components



code	name	section	photo
A	post		
B	main beam		
C	side frame		
D	gutter		
E	front eave		
F	middle frame		
G	top capping		
H	lower capping		
I	snap-gauge		
J	PC sheets		
K	downpipe		
L	V shape flashing		

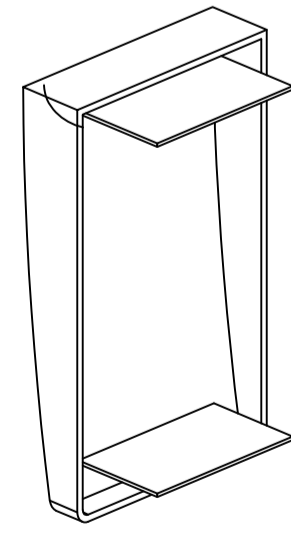
# HARDWARE

code	name	photo
1	M10X250 galvanized screw pole	
2	M10 nuts	
3	main beam joint	
4	SUS hex bolt M10*35	
5	304-M10 washer	
6	slider(connect gutter with post)	
7	bracket(connect gutter with post)	
8	SUS hex screw (304) (M8*12)	
9	SUS Hex screw (304) (M8*20)	
10	SUS cross head drilling screw (4.2*19) (304)	
11	soundproof pad(50*10.5*10MM )black	
12	SUS cross head bolt (5*12)	

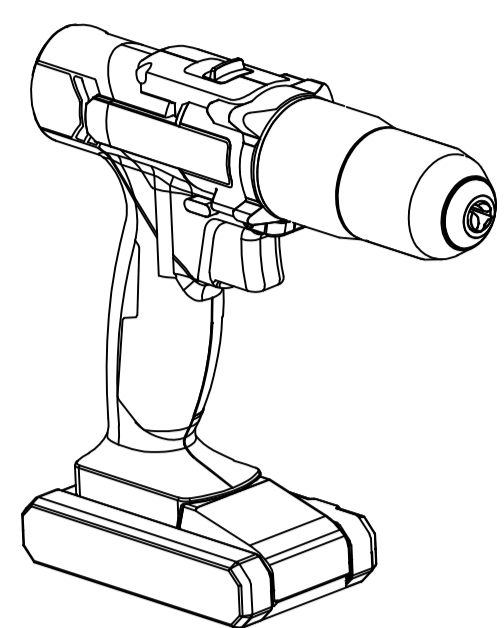
code	name	photo	remark
13	soft downpipe washer		these are in one package
14	T shape downpipe connector		
15	T shape downpipe connector		
16	downpipe holder		
17	clamp		
18	elbow		
19	SUS drilling screw 4.2*16		
20	SUS drilling screw 4.2*25		
21	gutter cap		
22	SUS drilling screw 4.2*16		
23	M10 bolt nut cap		
25	front eave cap		
28	main beam connector		
29	SUS hex drilling screw (M5.5*25)		
30	SUS hex drilling screw cap		

Note: The silicone sealant is not offered, you should purchase it in local

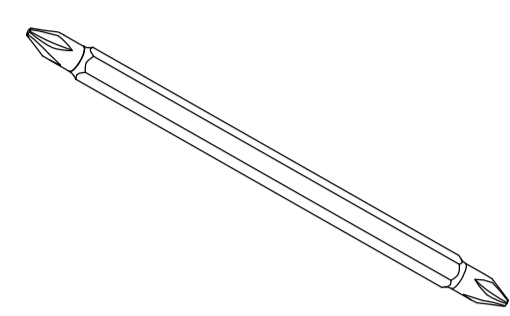
Note: The below accessory is unnecessary during the installation

24	main beam cap		
----	---------------	---	--

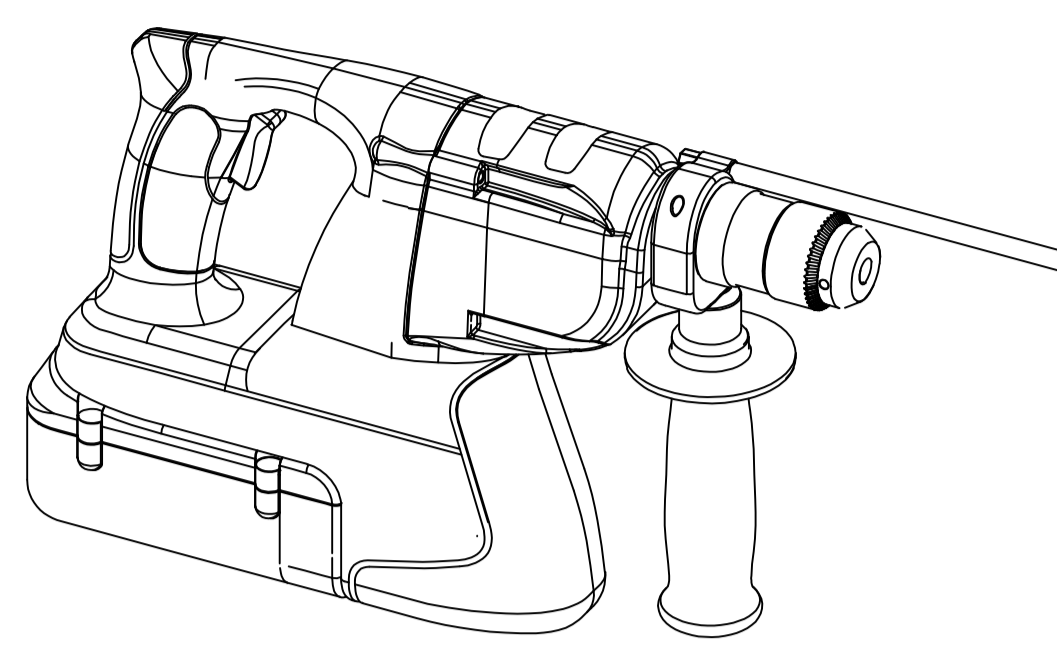
# WHAT YOU NEED



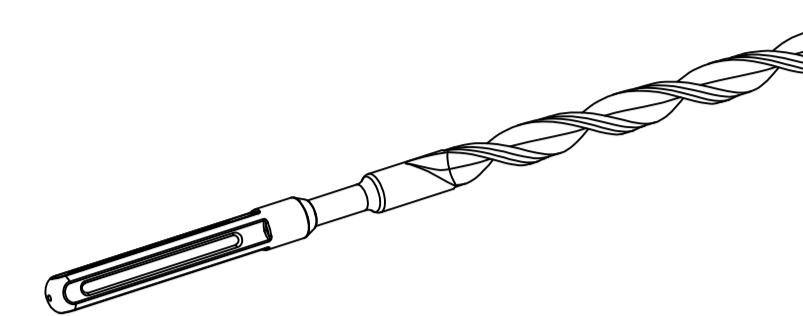
drill



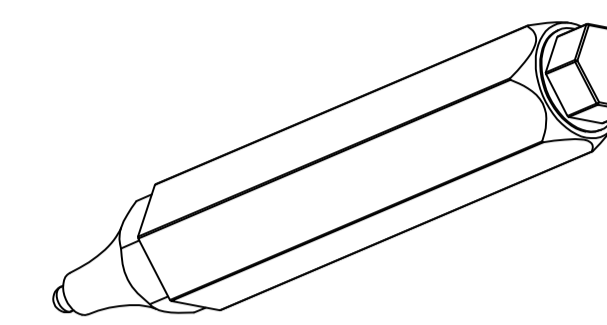
screwdriver bit



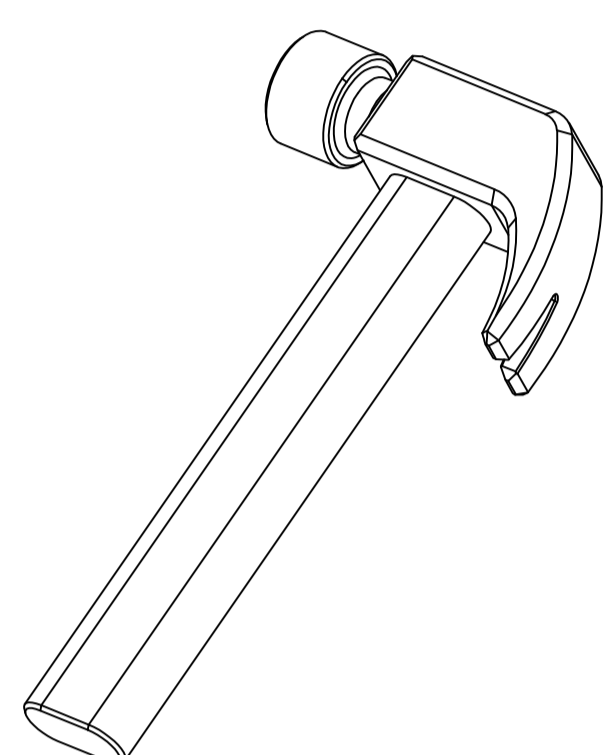
electrical drill



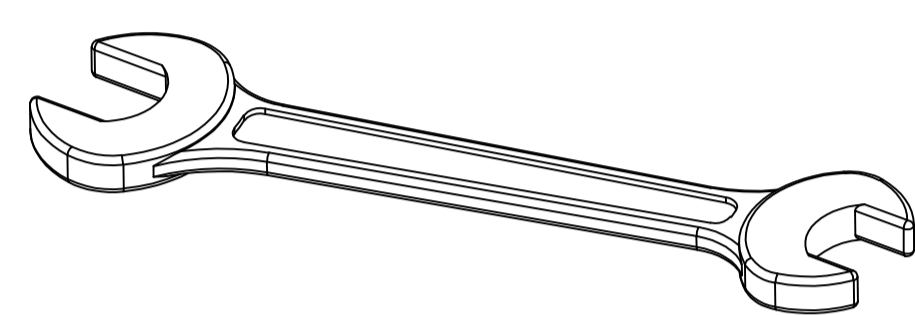
Ø12mm drill bit



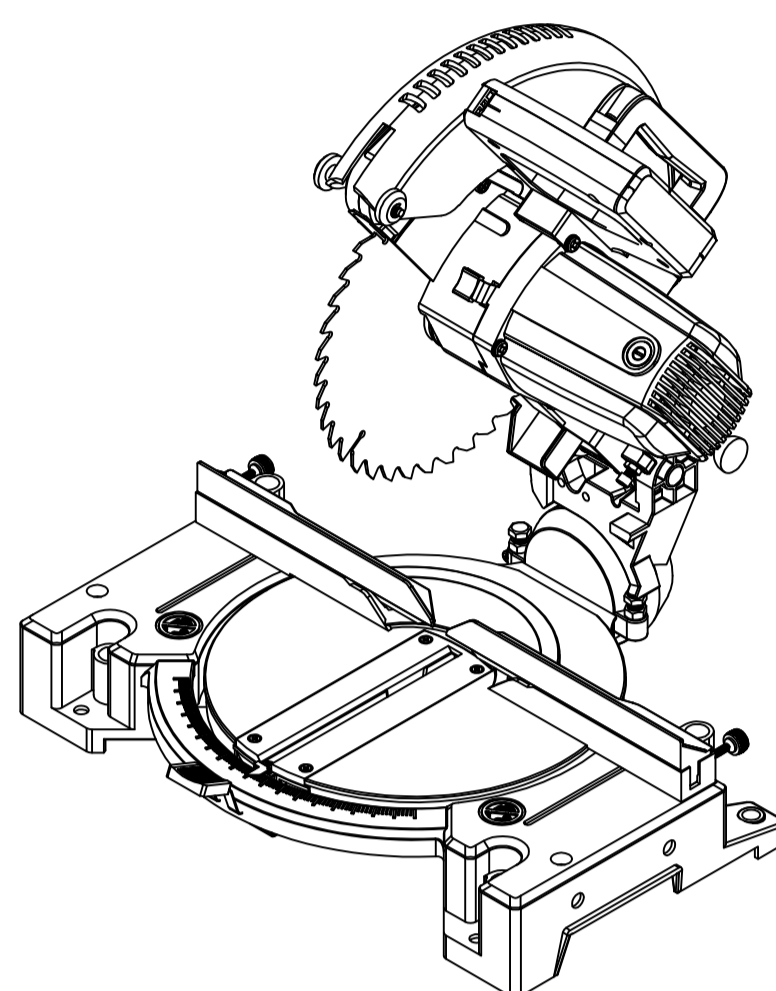
marker



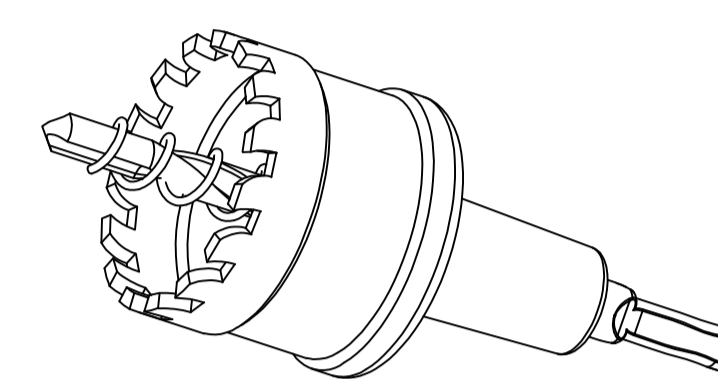
iron hammer



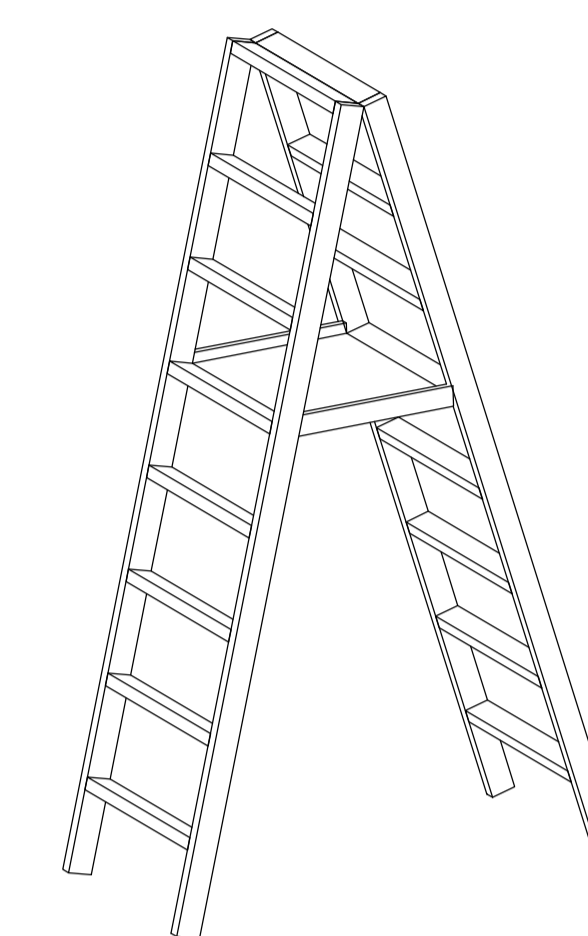
14/17/19mm wrench



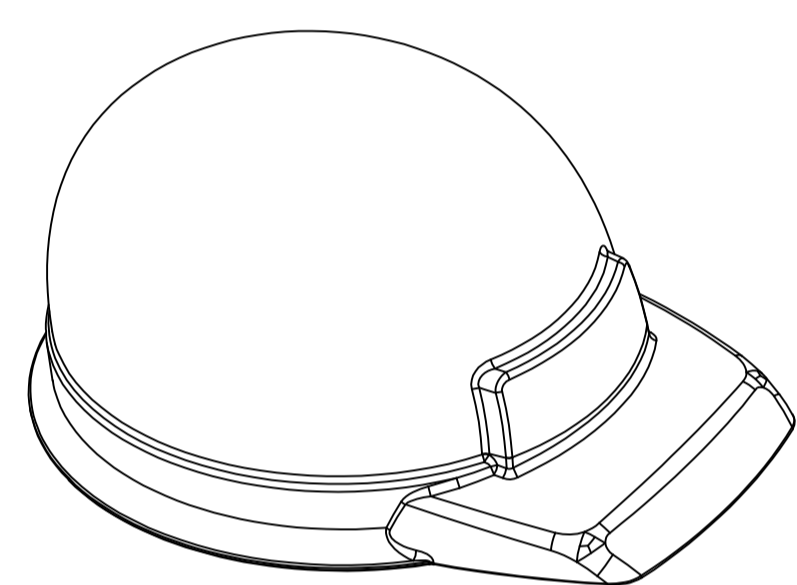
10 inch cutting machine



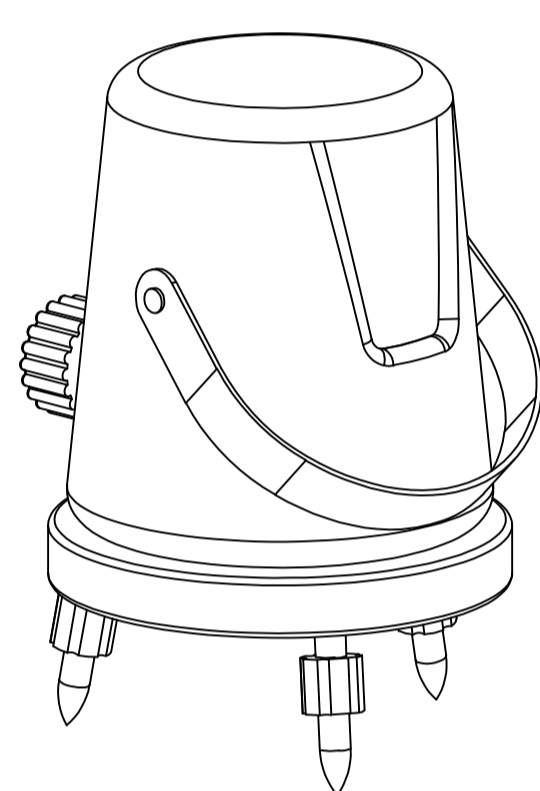
Ø35mm hole openers



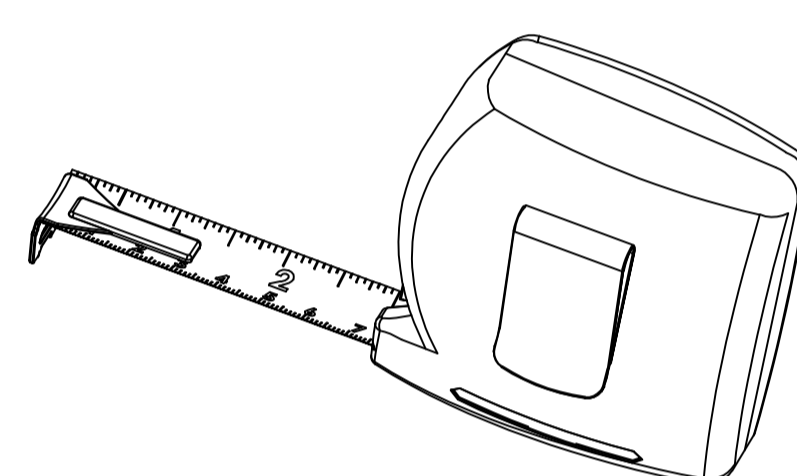
ladder



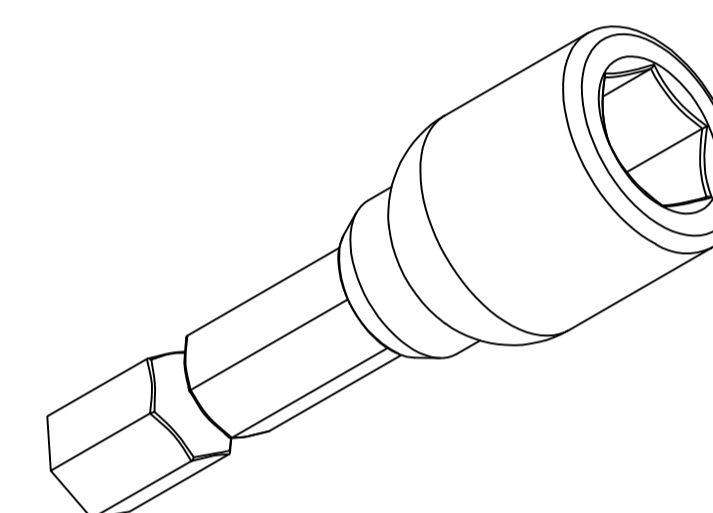
helmet



electric gradienter



tape measure



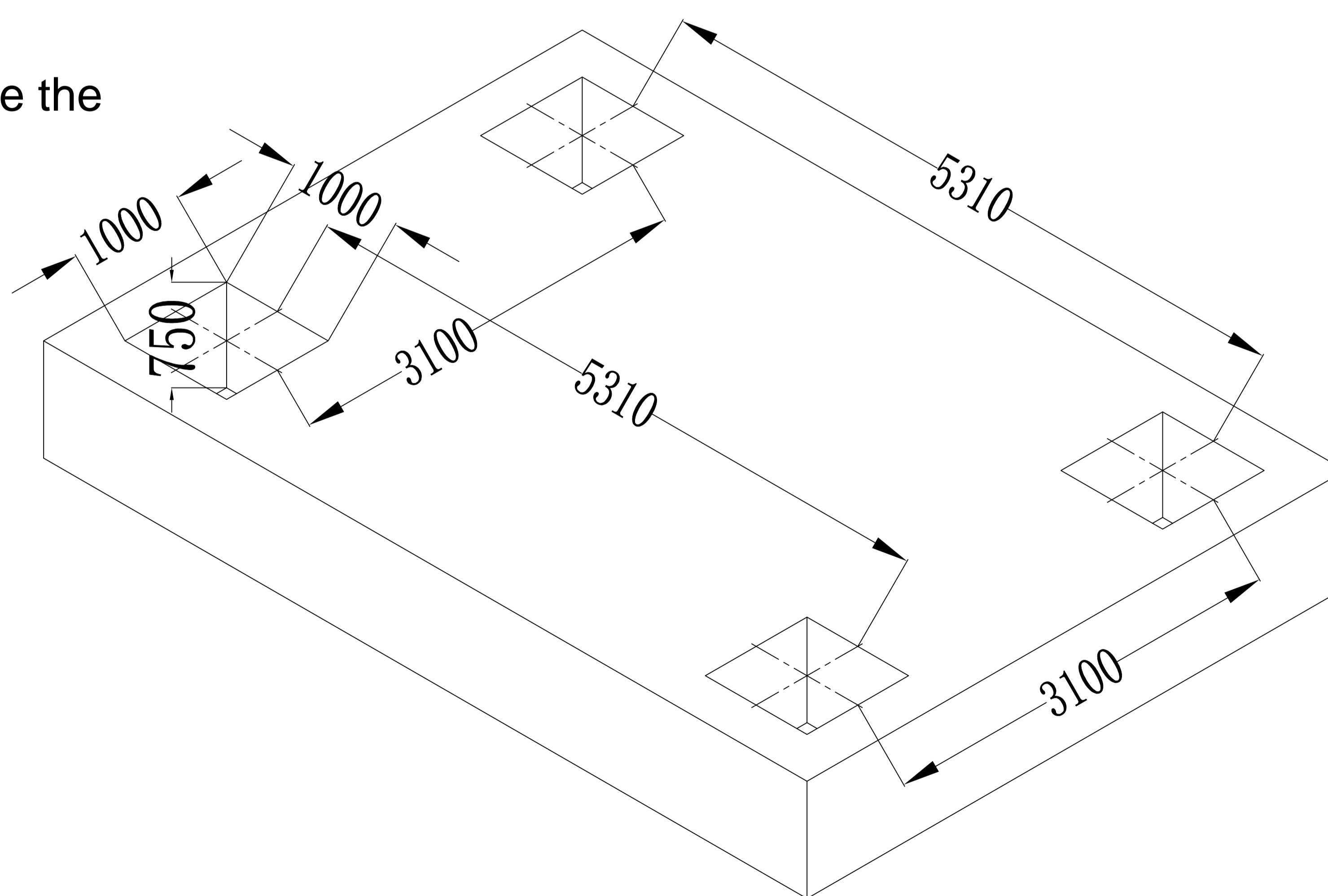
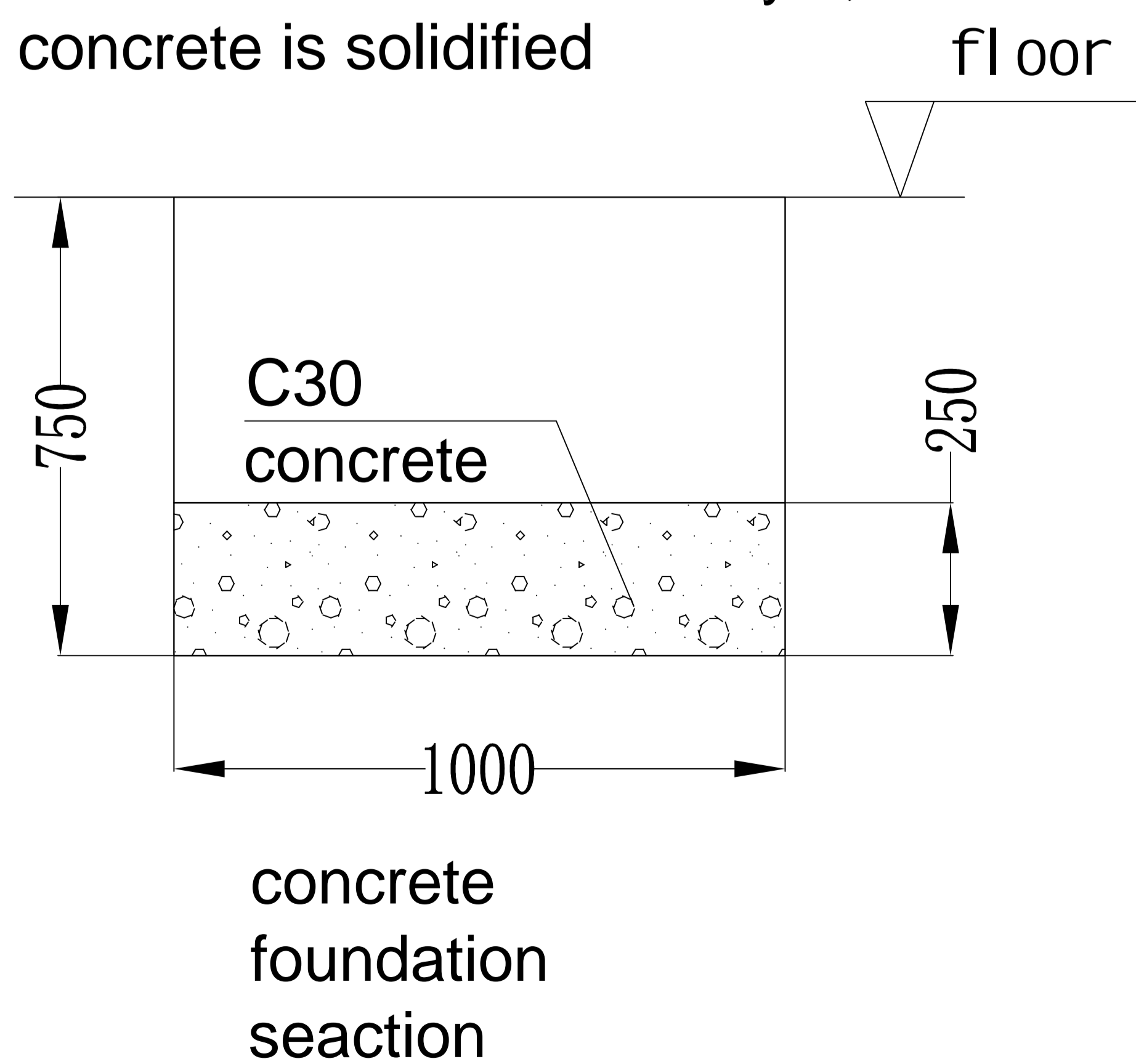
8mm sleeve wrench

Tips: Please prepare the preceding installation tools by yourself.

## Step 1: Build the concrete foundation

1.1、 According to the design drawings,excavate the column foundation pit on the ground.

1.2、 Placing 250mm thickness concrete layer at the bottom of the foundation with C30 concrete.After two days ,the concrete is solidified

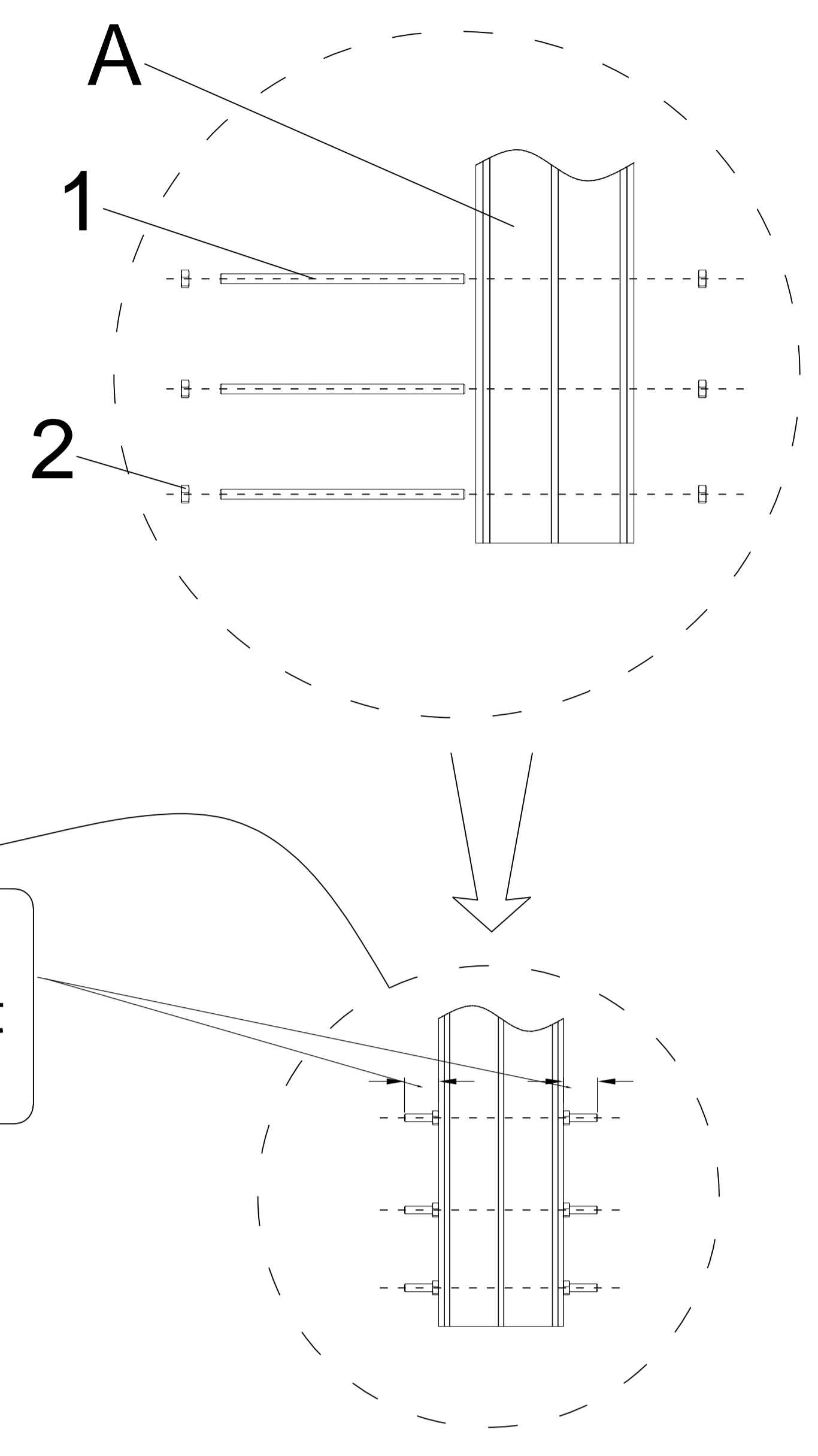


1.3、 It is necessary to check the elevaion of the foundation concrete layer before install the carport post.The tolerance should be within  $\pm 10\text{mm}$ . If the tolerance exceeds this range ,you should adjust the concrete layer level before installation.

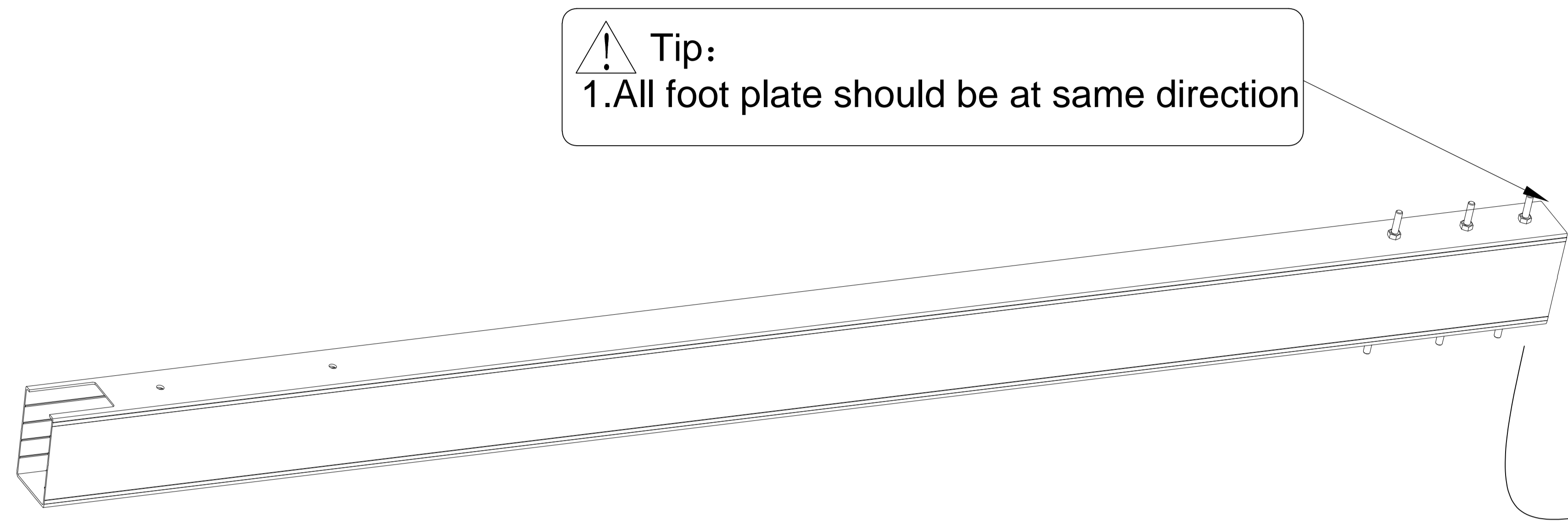
Step 2: Assemble the post and main beam

2.1、 Across the M10X250 gvanized screw pole in the post holes and keep same length at both side. then fasten the nuts

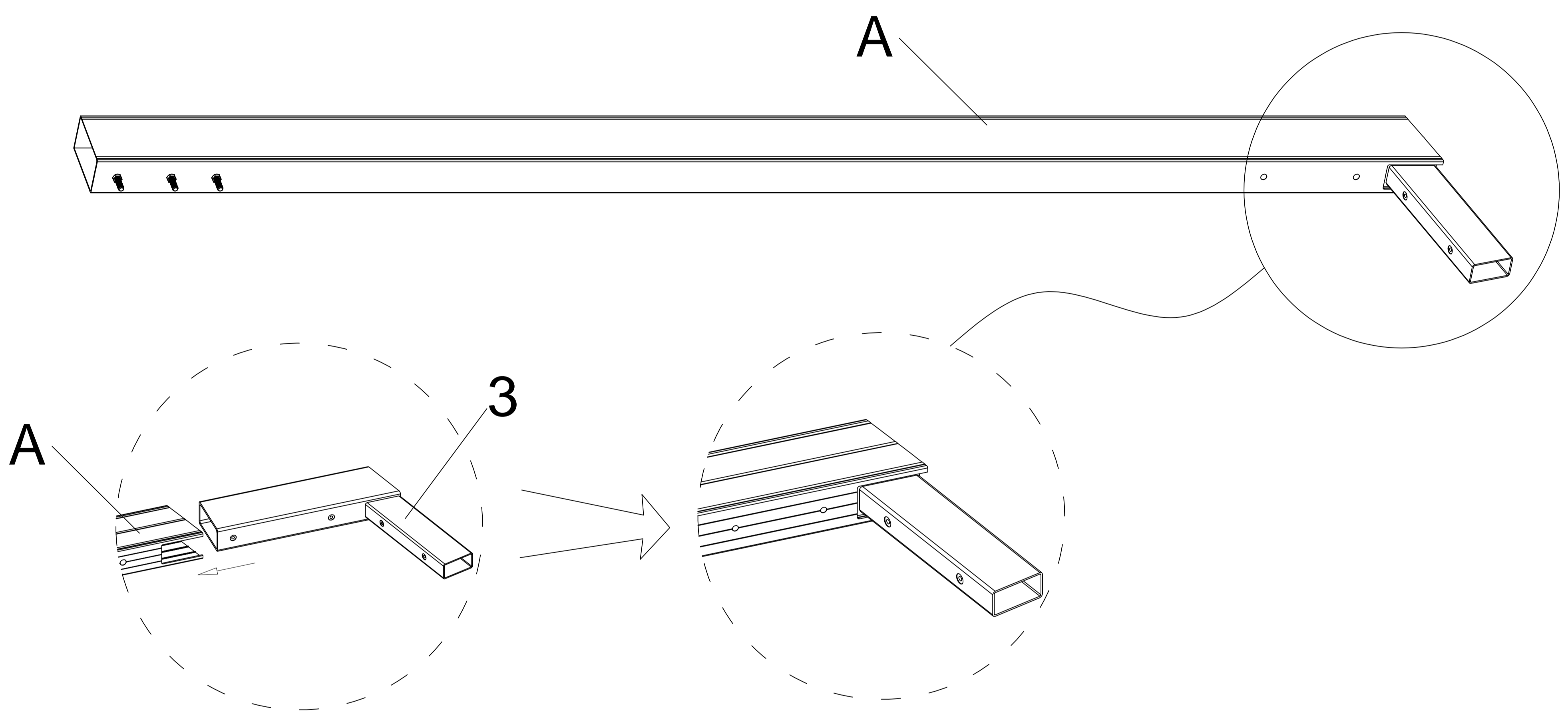
⚠ Tip:  
1.All foot plate should be at same direction



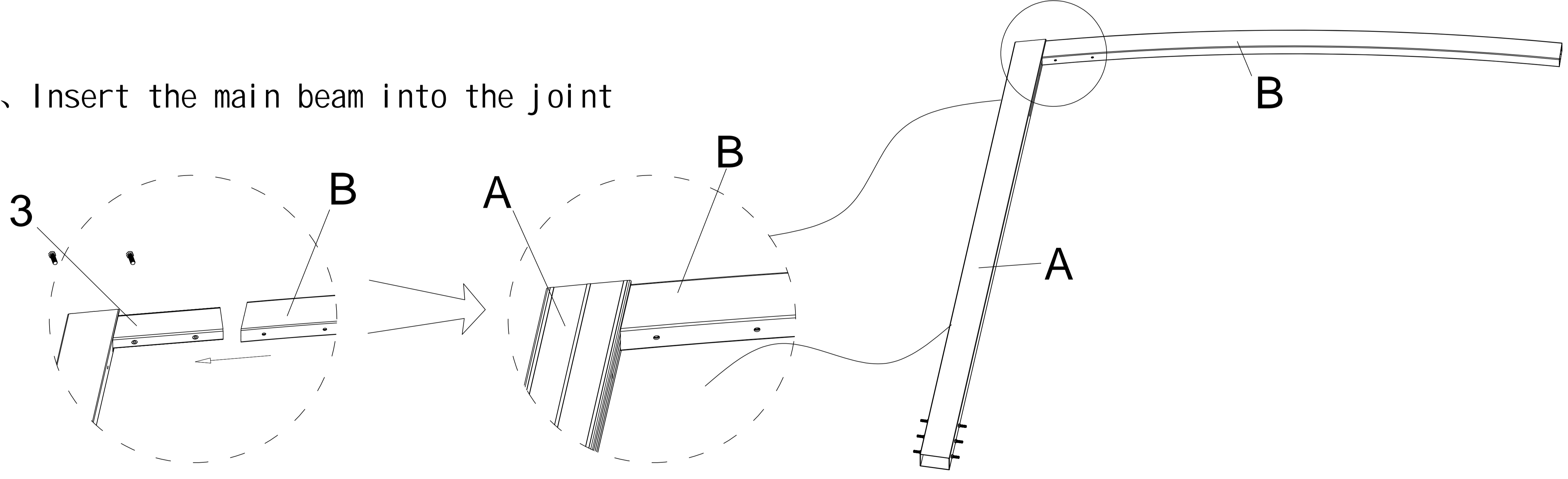
⚠ Tip:  
The protruting bolt length are same



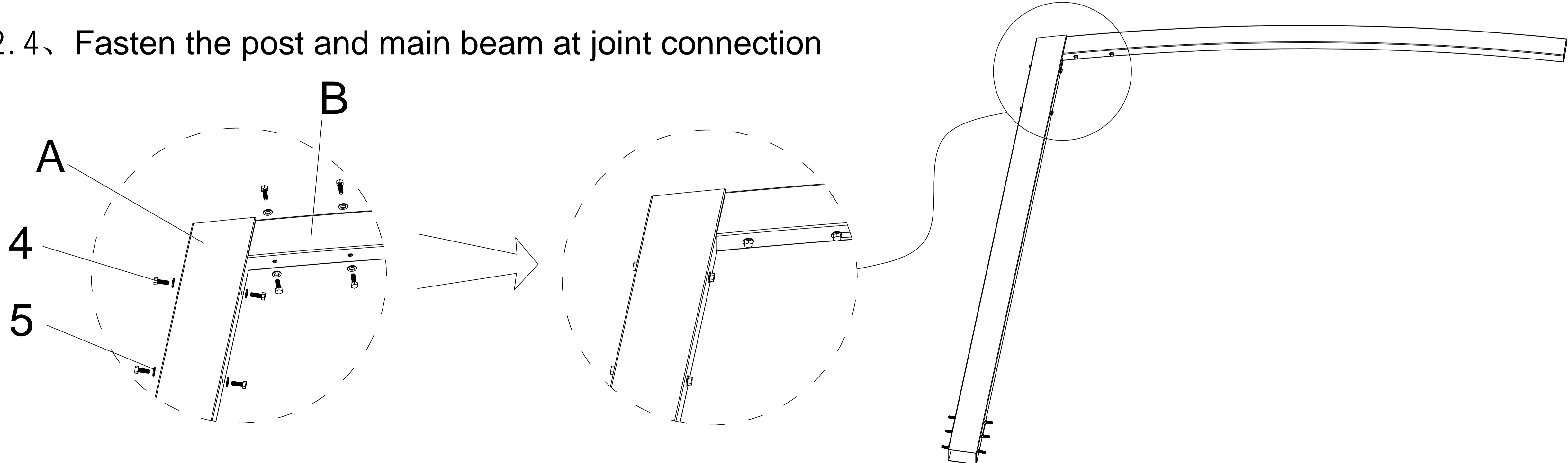
2.2、 Insert the joint into the post



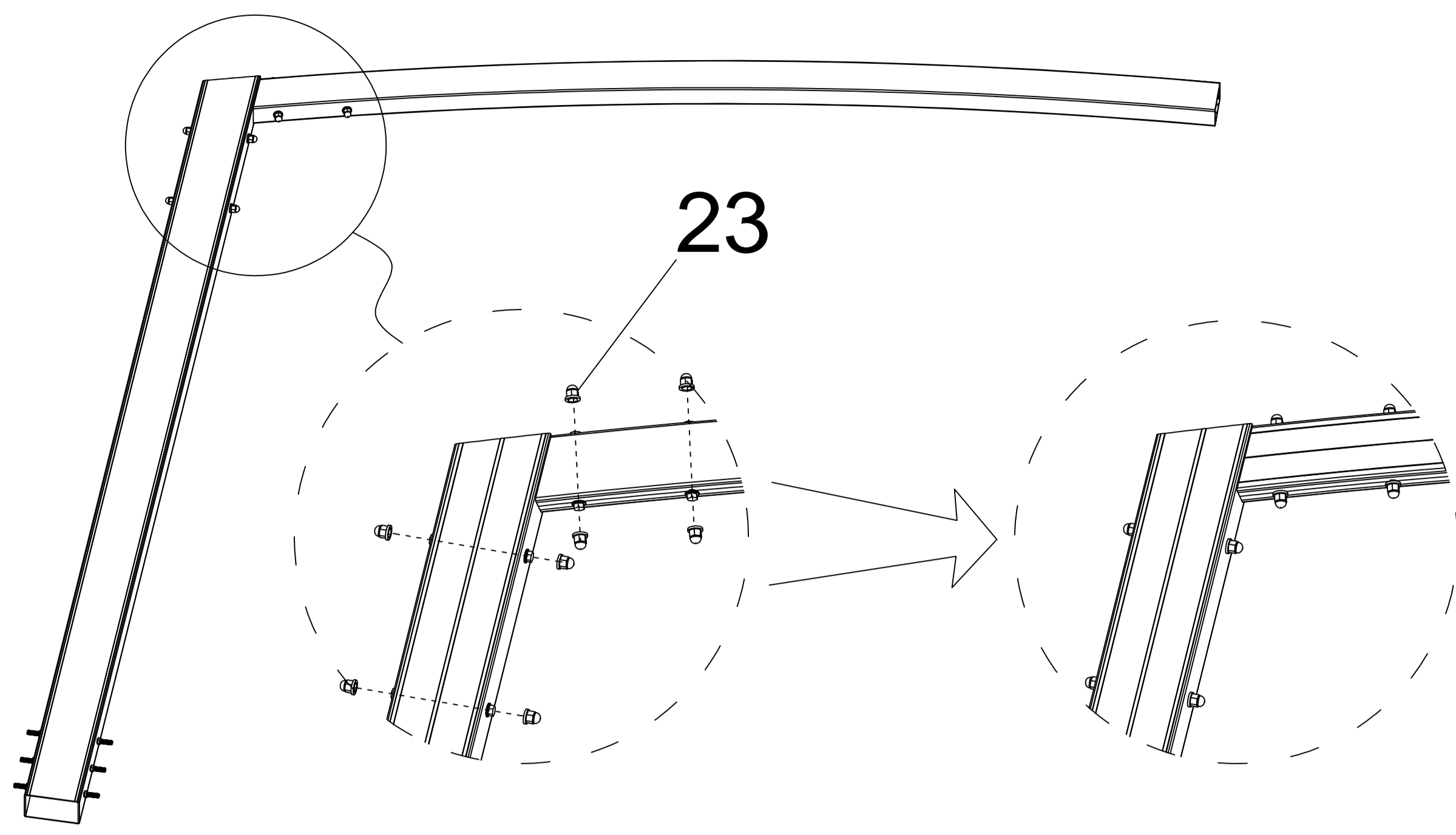
2.3、 Insert the main beam into the joint



2.4、 Fasten the post and main beam at joint connection

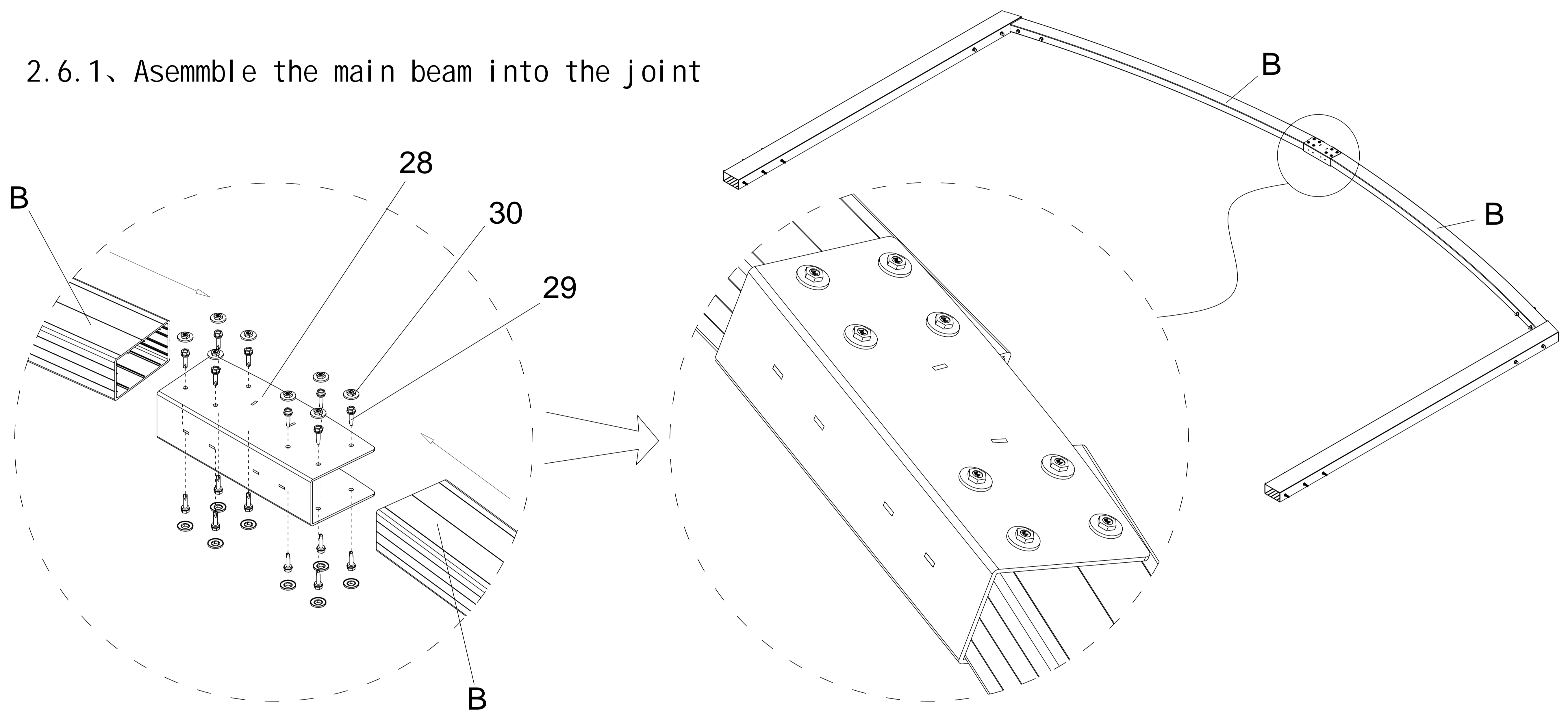


2.5、 Install the bolt cap and main beam cap

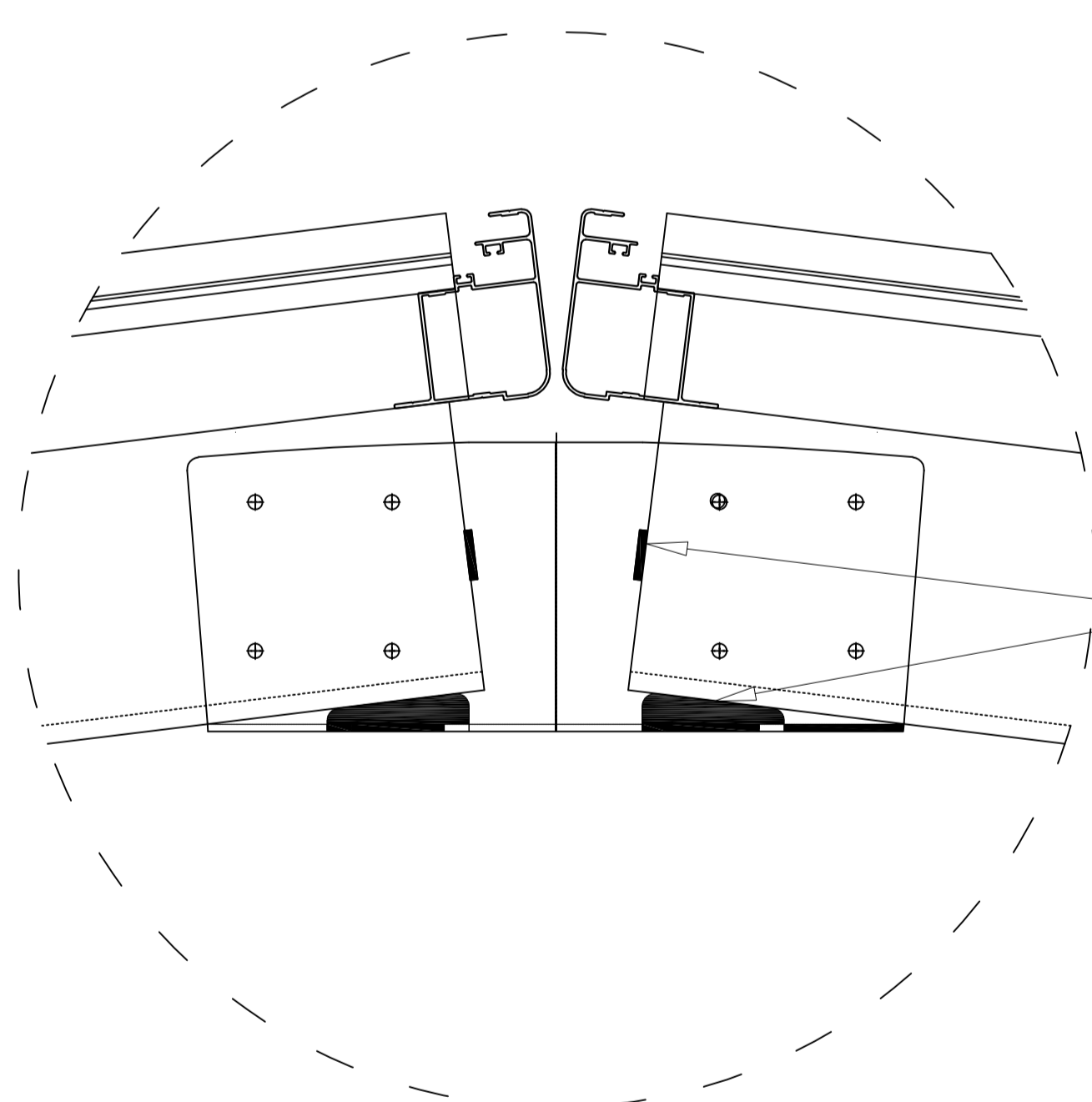


Step3: Assemble the post and main beam

2.6.1、 Assemble the main beam into the joint



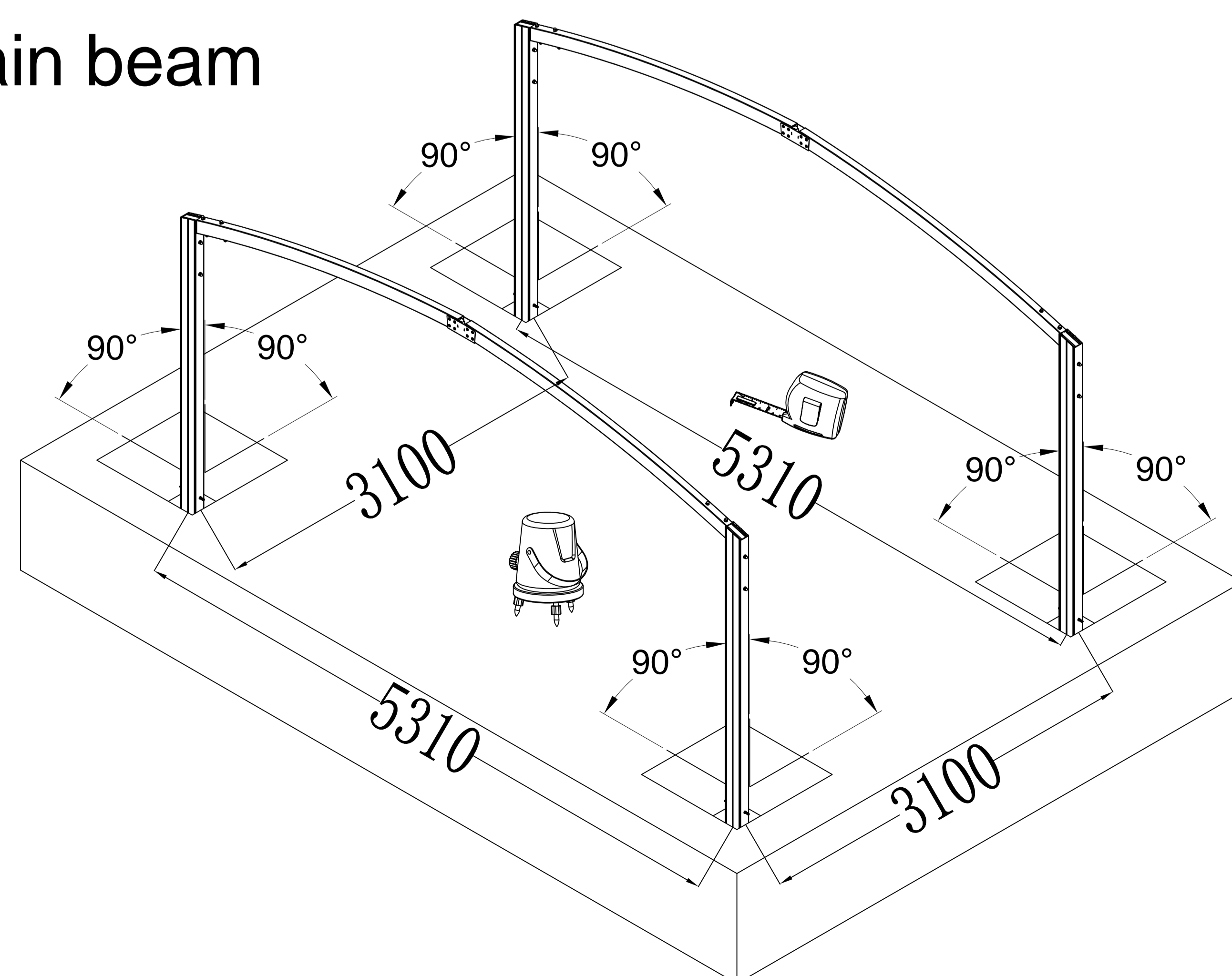
2.6.2、 install the hex screw caps



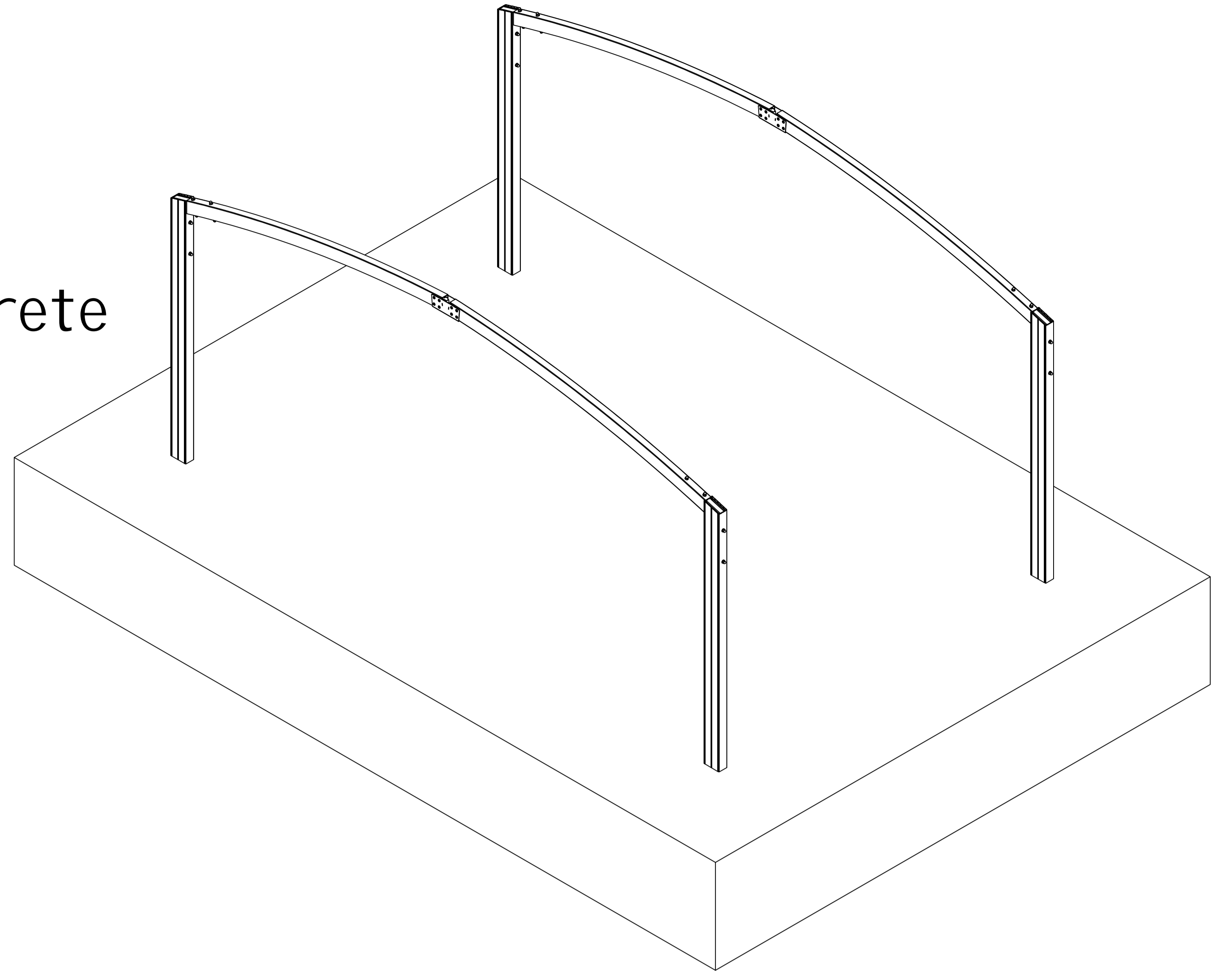
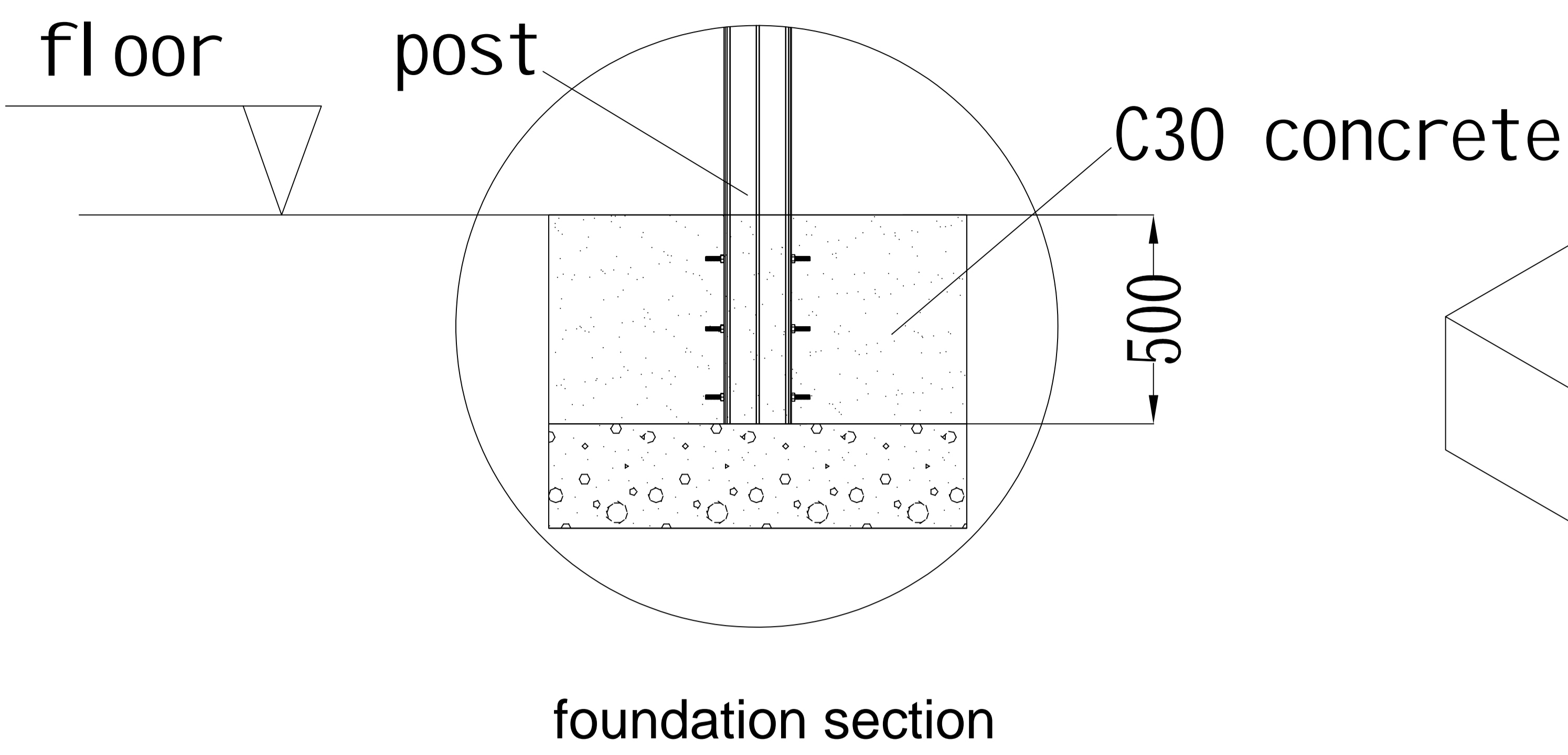
! Tip:  
Take use of joint to connect the two beam,  
the beam should attach the limit place  
then screw it

Step 3: Fix the post and main beam

3.1、 Stand the assembled post and beam up in the foundation pit ,adjust the floor level , vertical level and center distance of pits

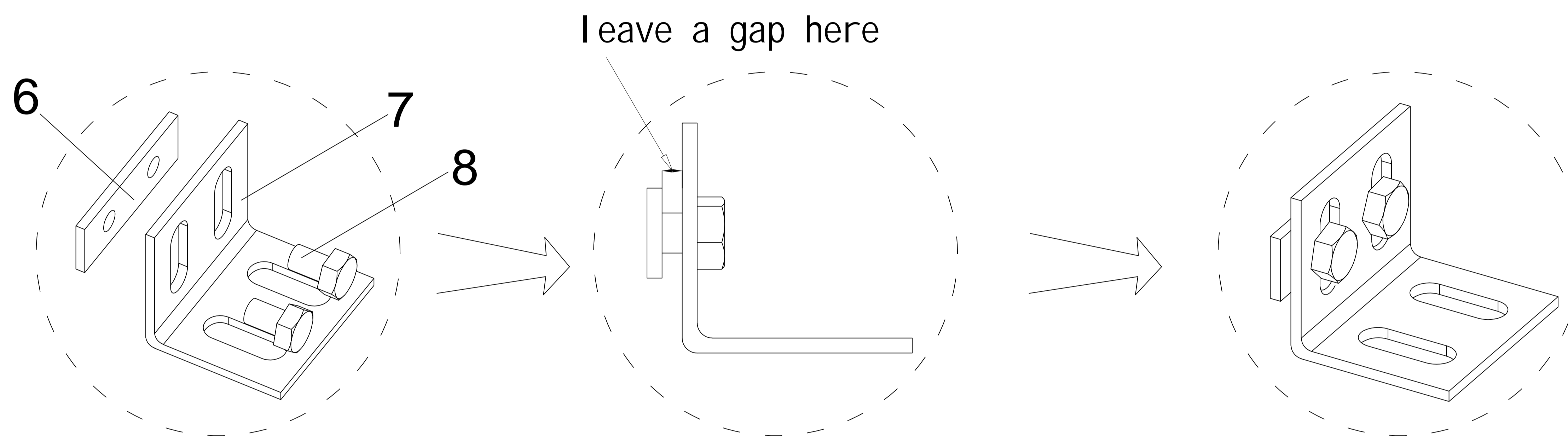


3.2、 Fill the concrete into the pit and keep the foundation flat .After two days waiting and the floor is solidfied

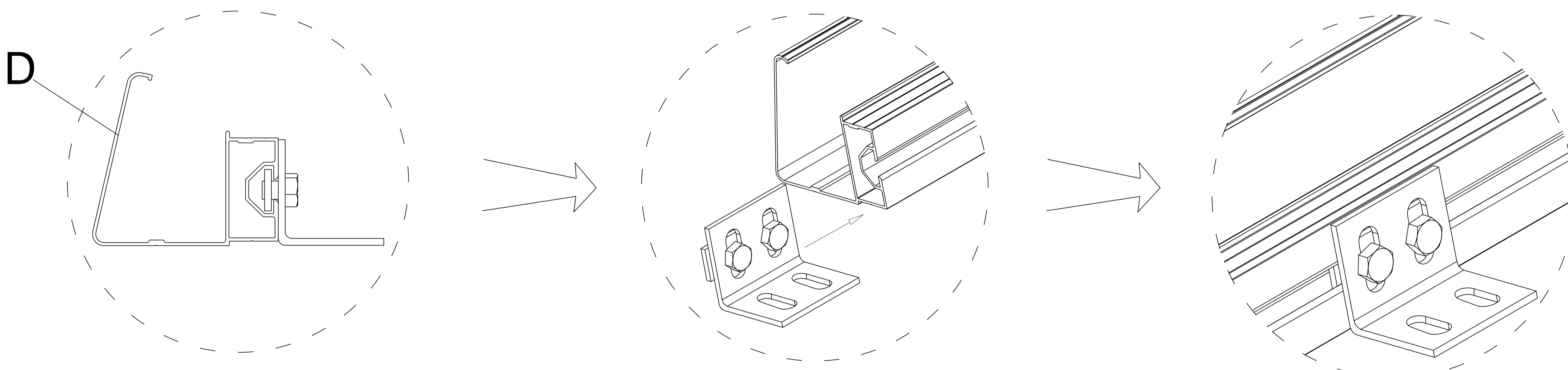


Step 4: Install gutter ,front eave and side frame

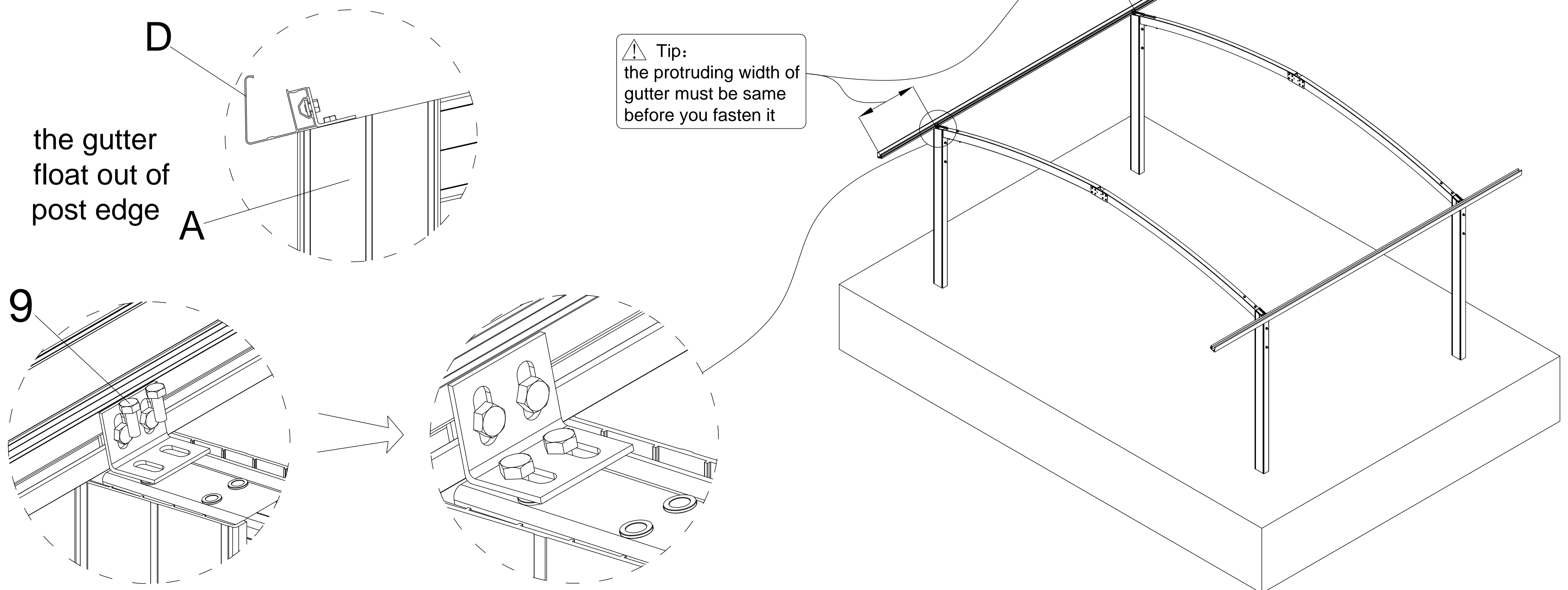
4.1、 Assemble the brackets



4.2、 Insert the brackets into the gutter in advance ,the number is equal to main beam numbers

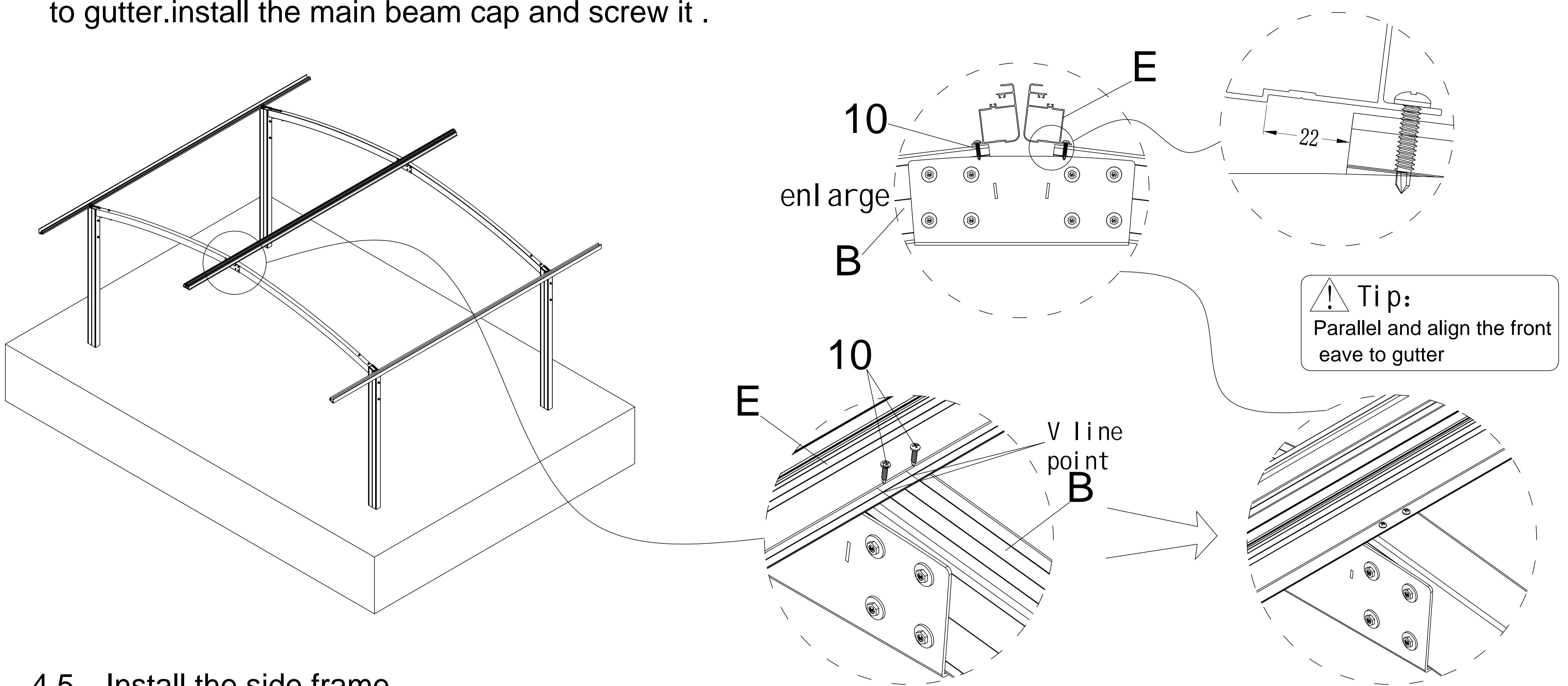


4.3、 Settle the gutter on the top of post ,move the brackets to main beam joint,align the brackets and joint screw holes .fasten the screw and tighten the barcket slider screws。



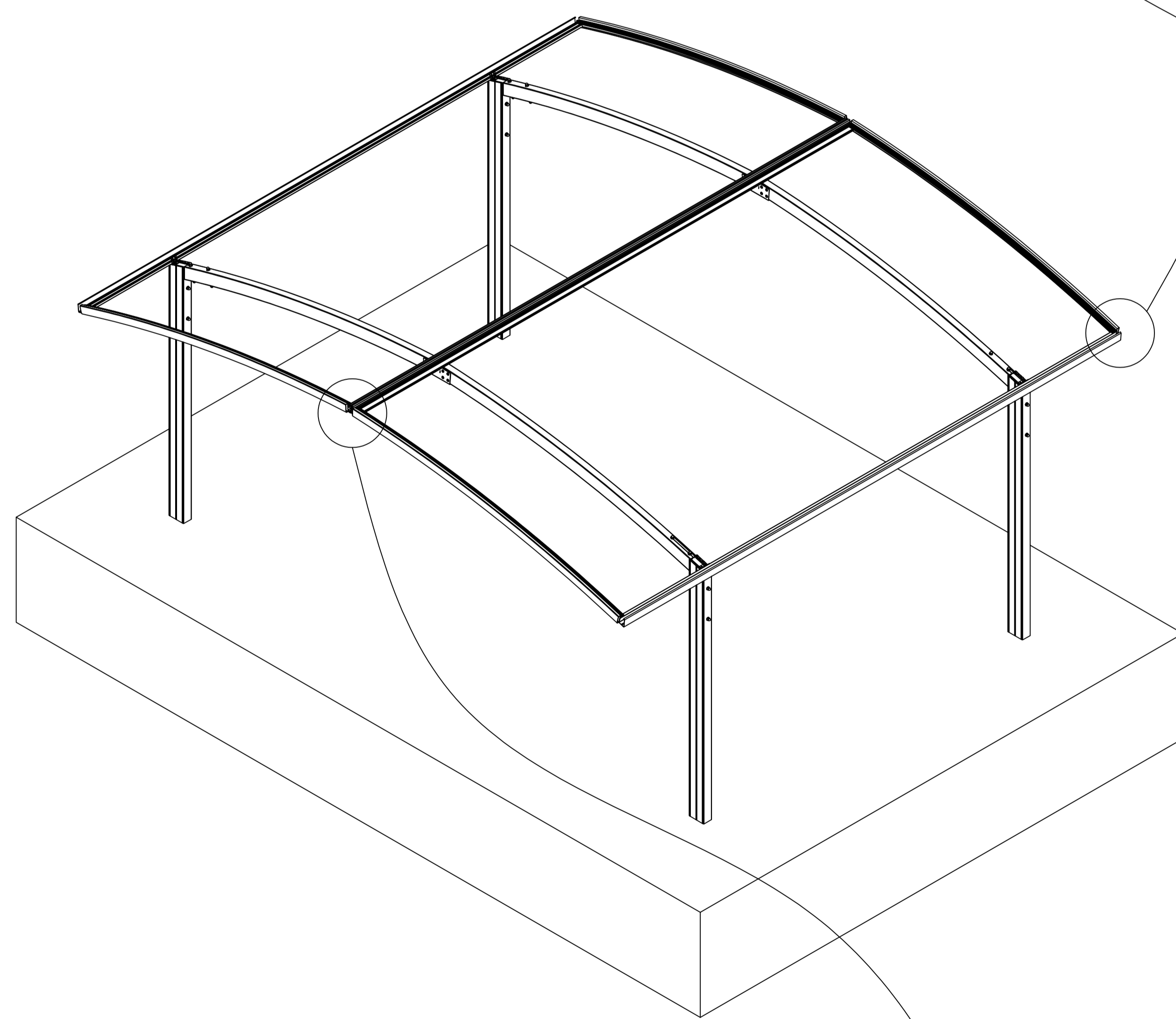
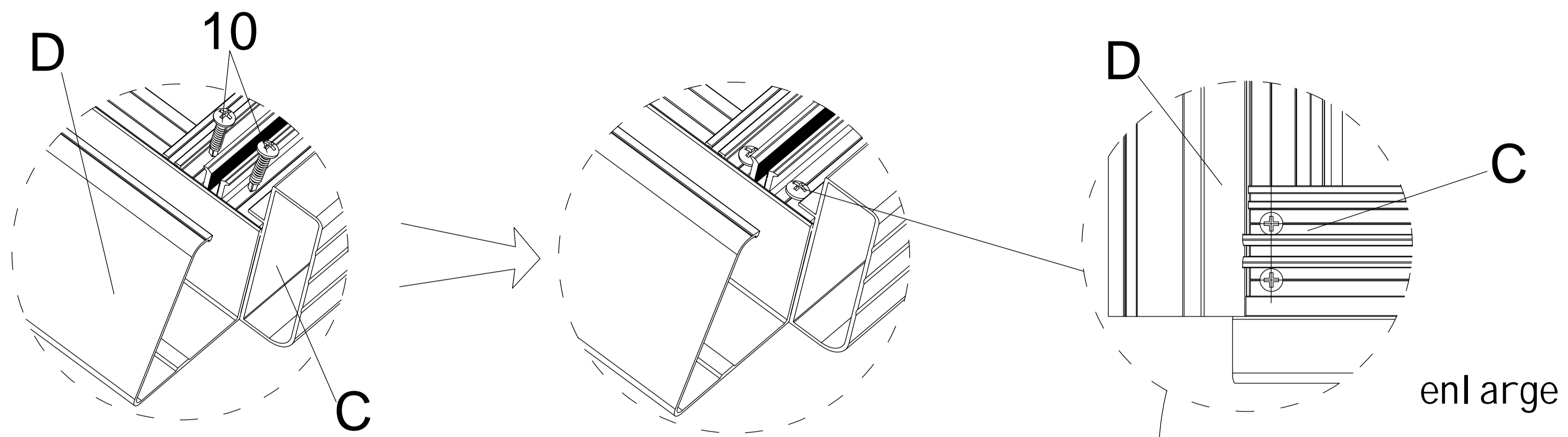


4.4、 Fix the front eave on the main beam ,parallel and align to gutter.install the main beam cap and screw it .

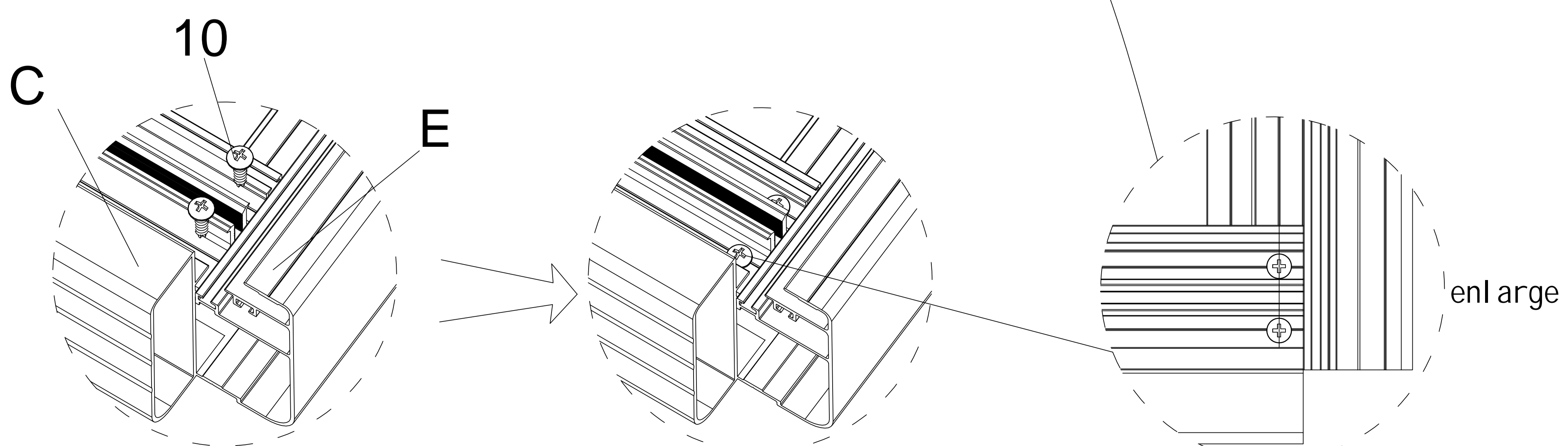


4.5、 Install the side frame

4.5.1,screw gutter and side frame:  
screw at the intersection of V line on the profile

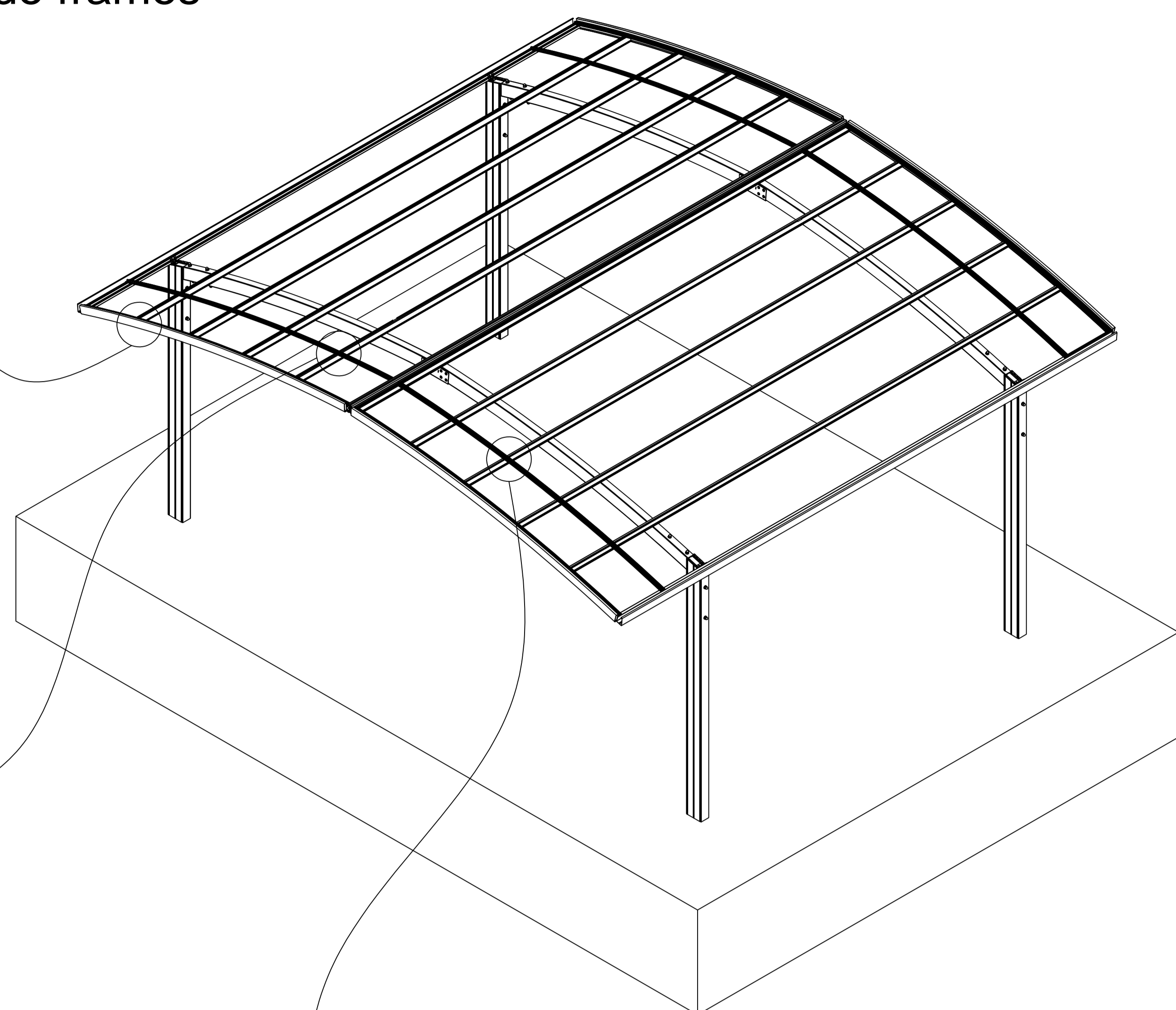
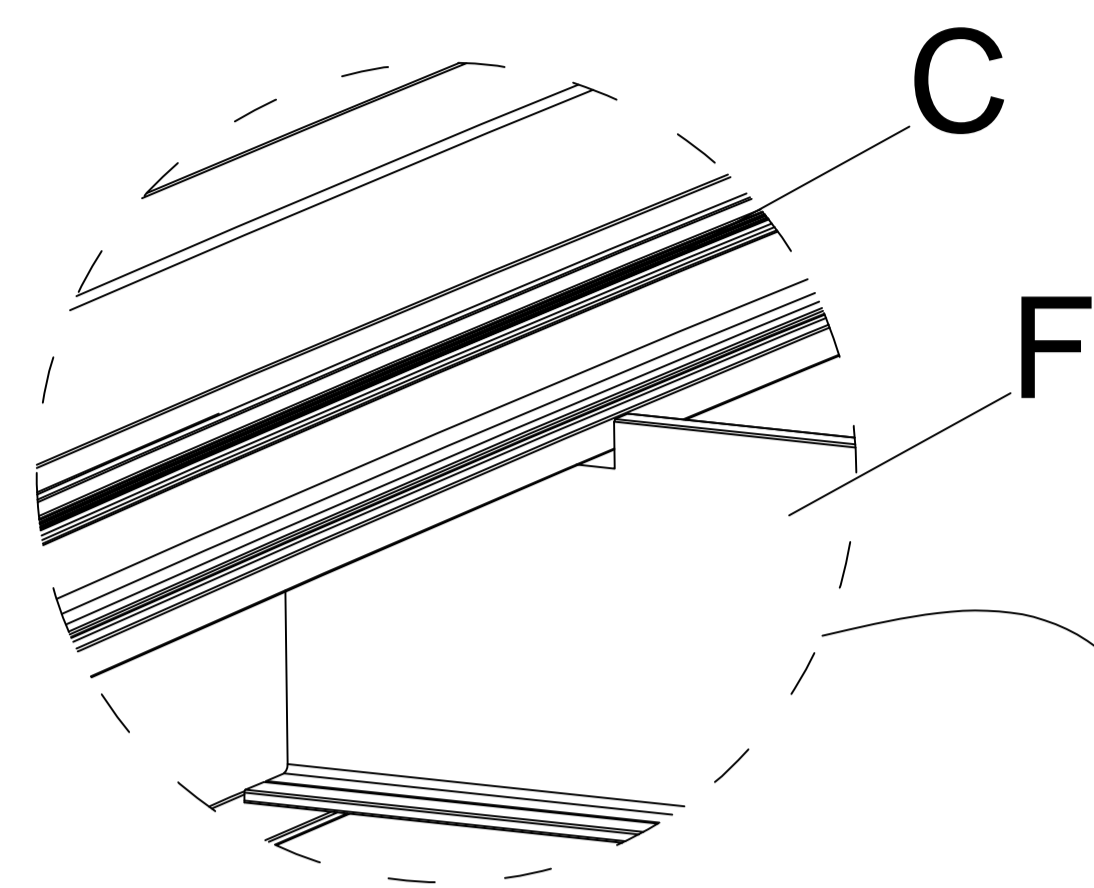
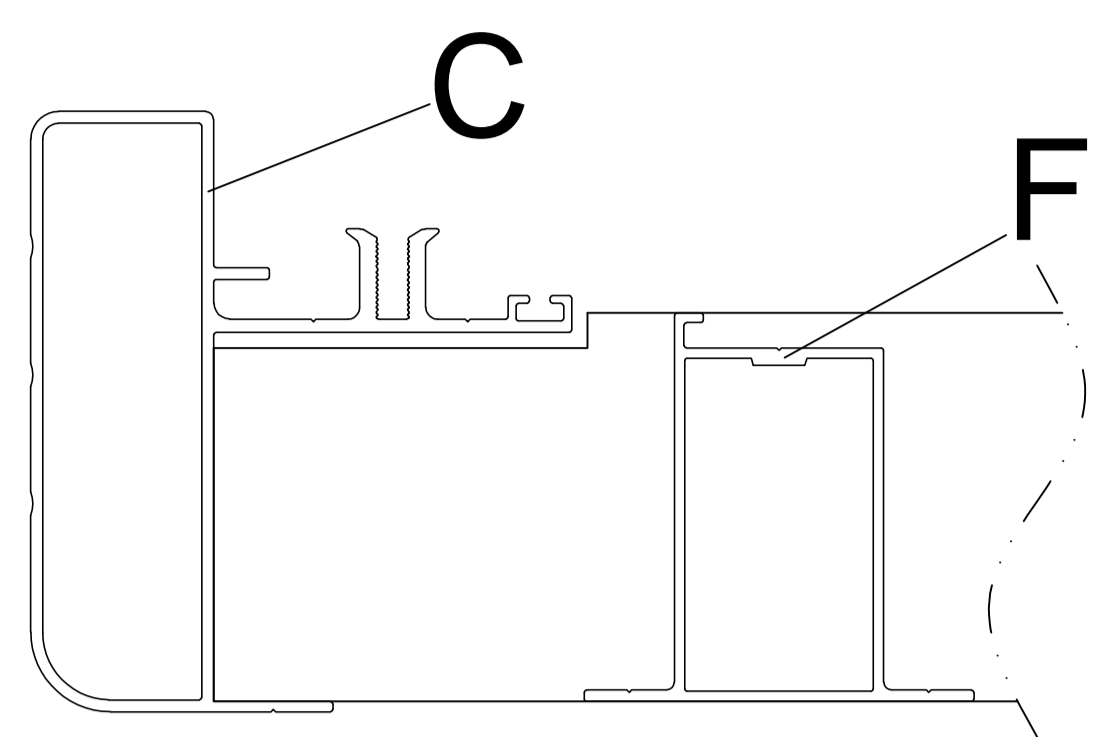


4.5.2,screw gutter and side frame:  
screw at the intersection of V line on the profile



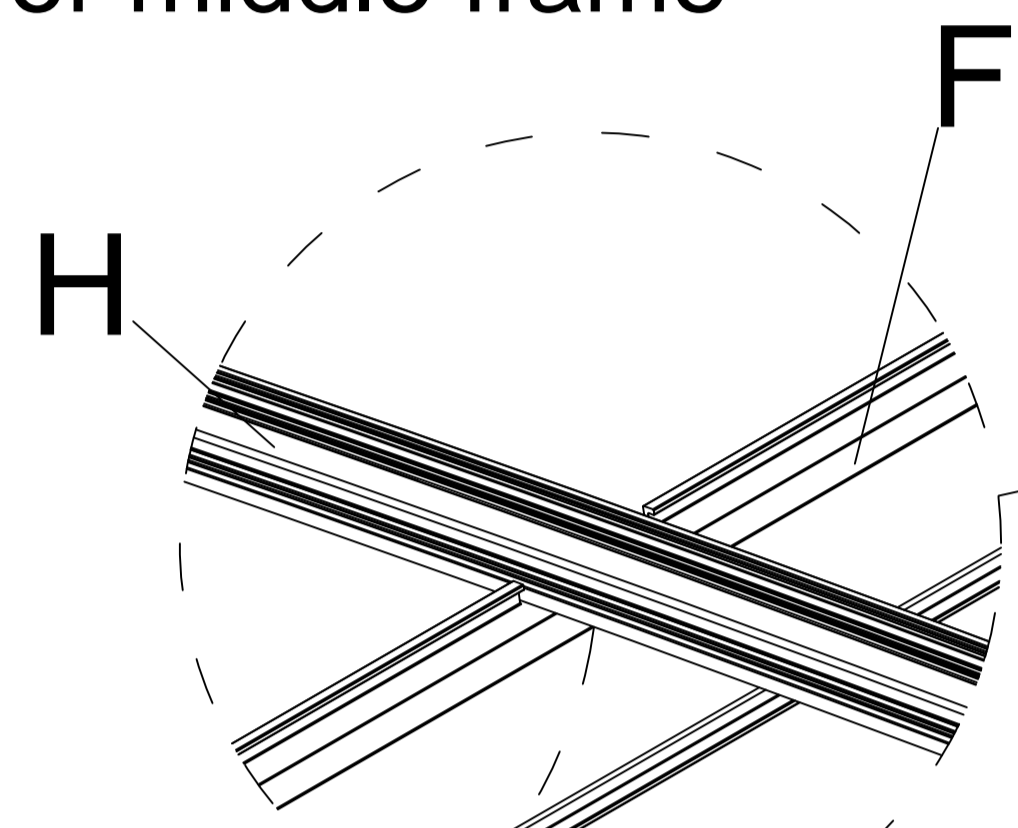
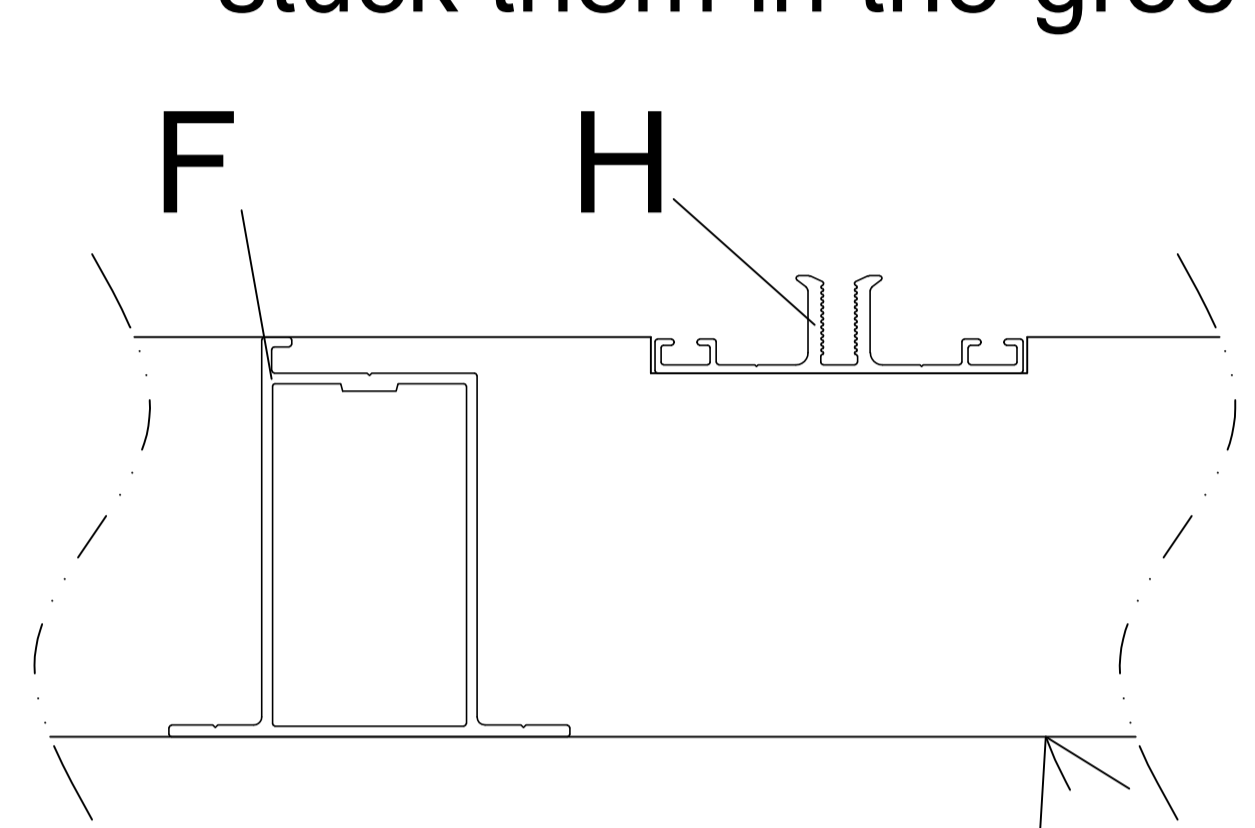
Step 5: Install middle frame and the lower capping

5.1、 Put the middle frame on the roof and stuck into the side frames

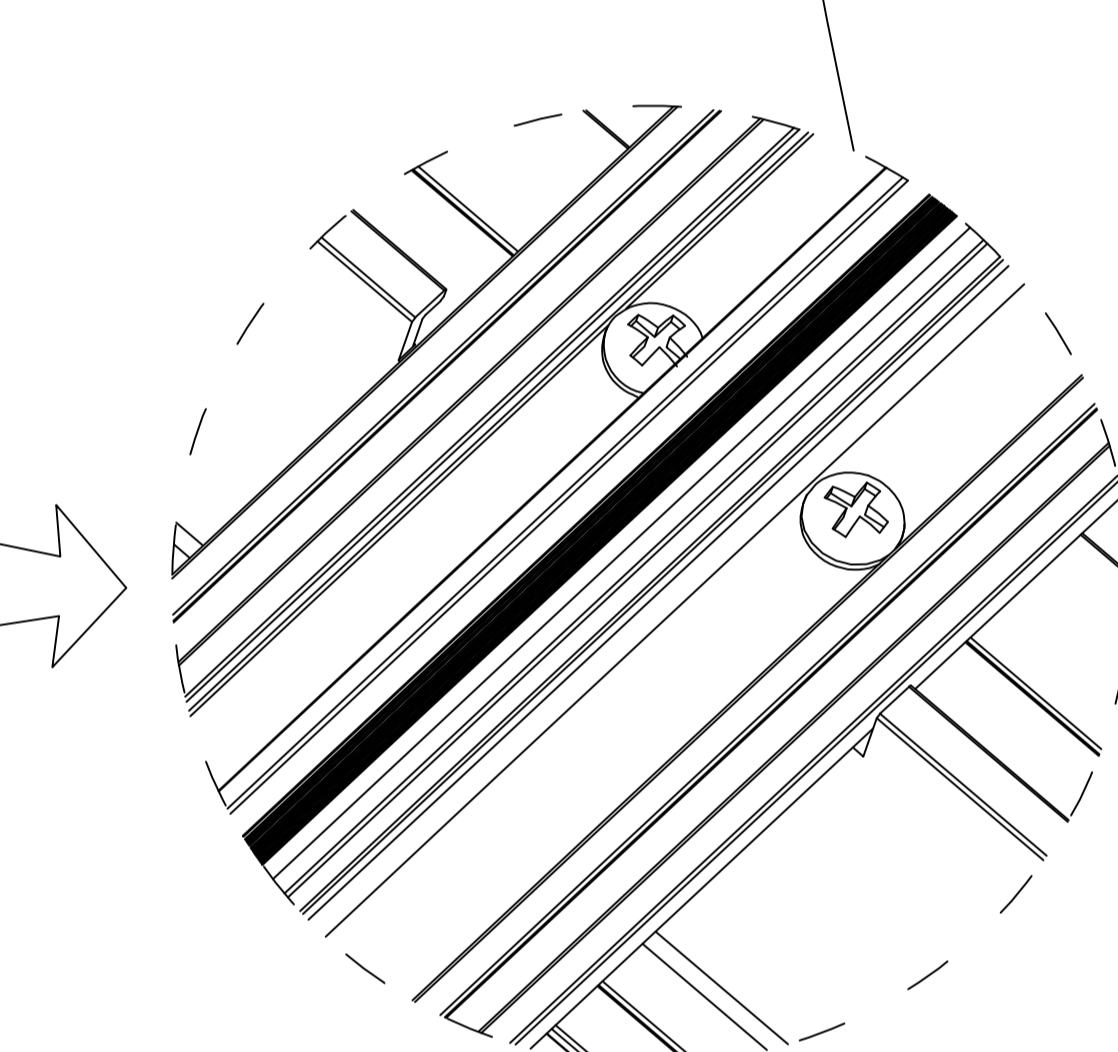
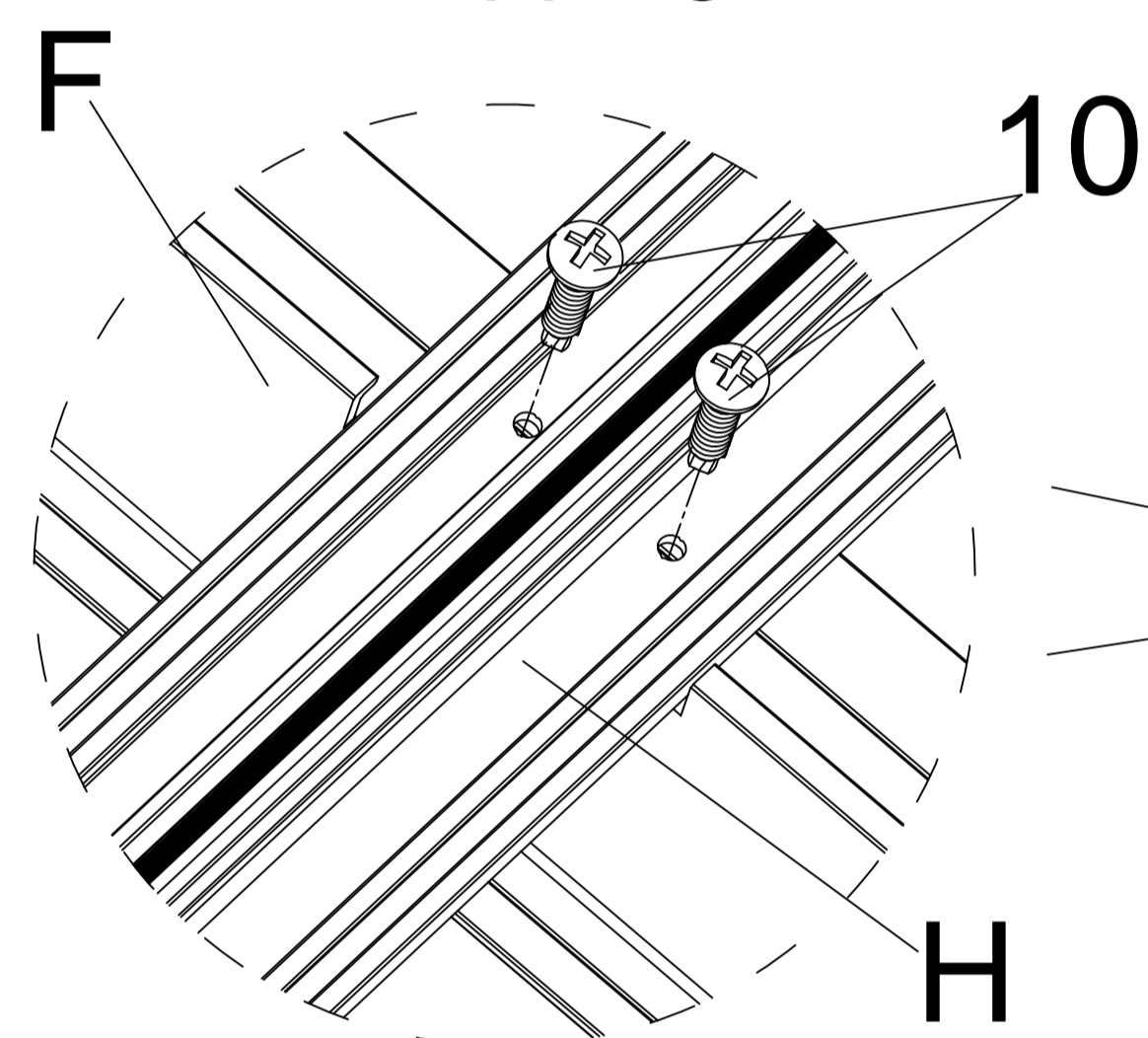
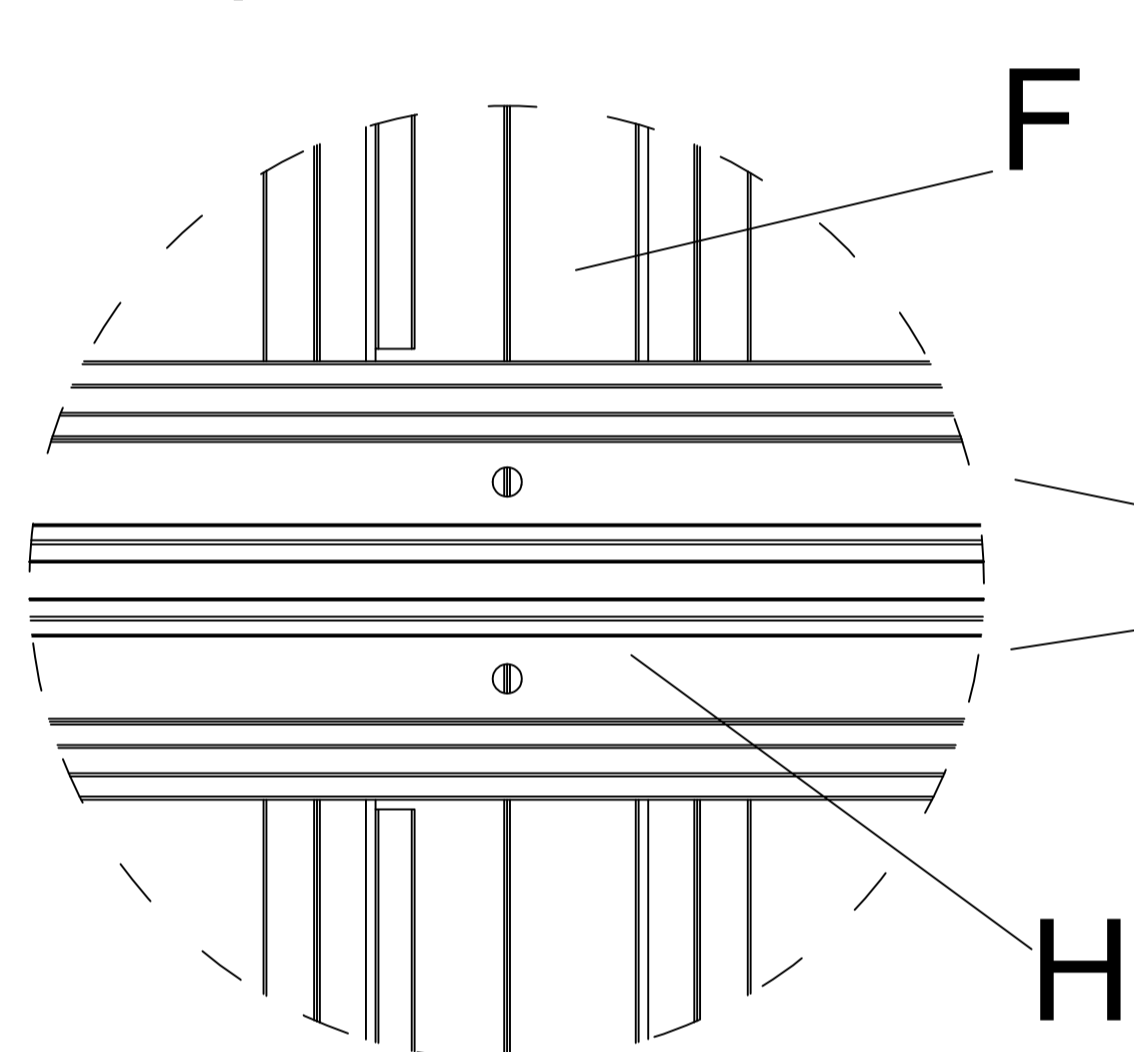


5.2、 Posit the middle frames

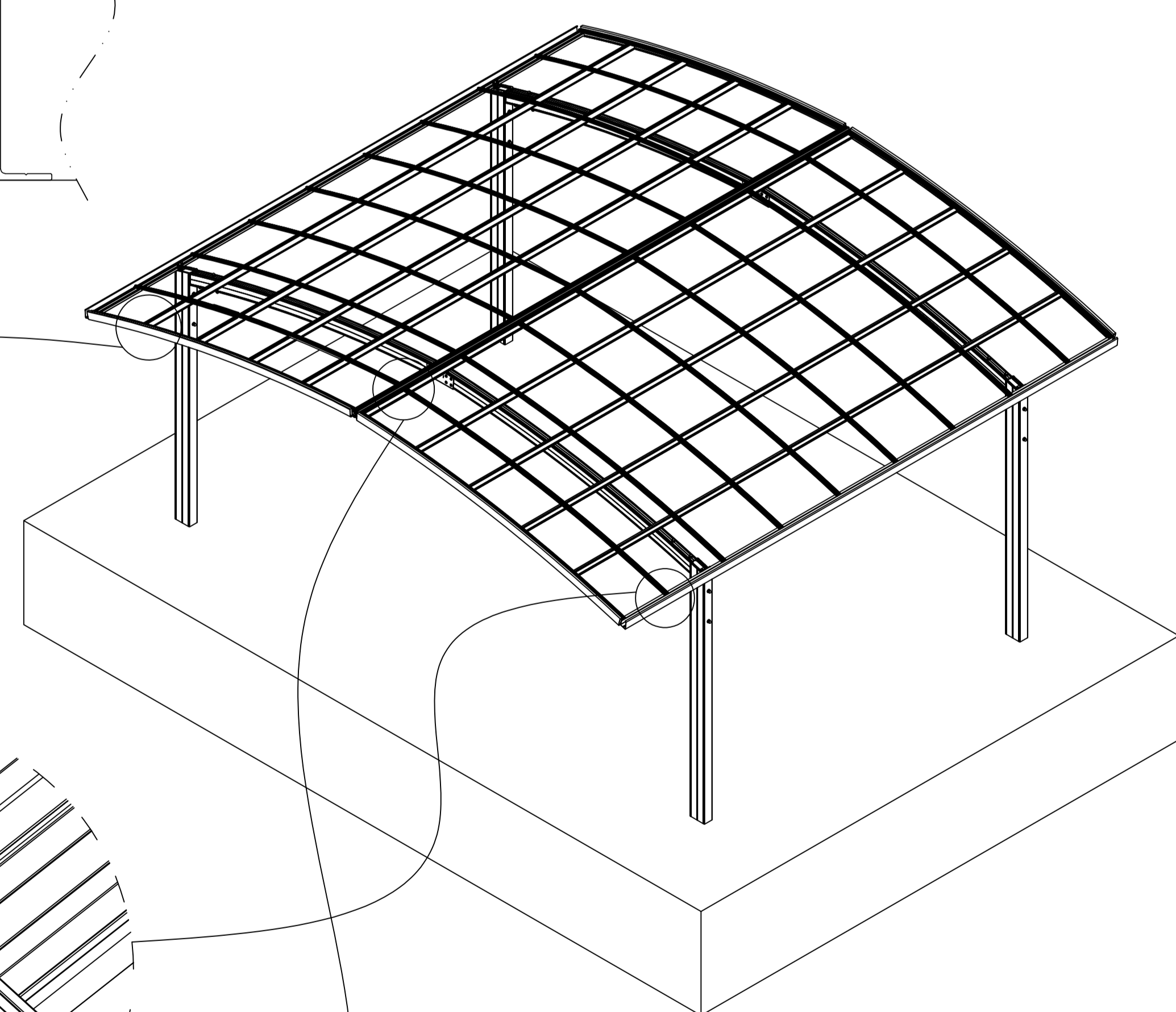
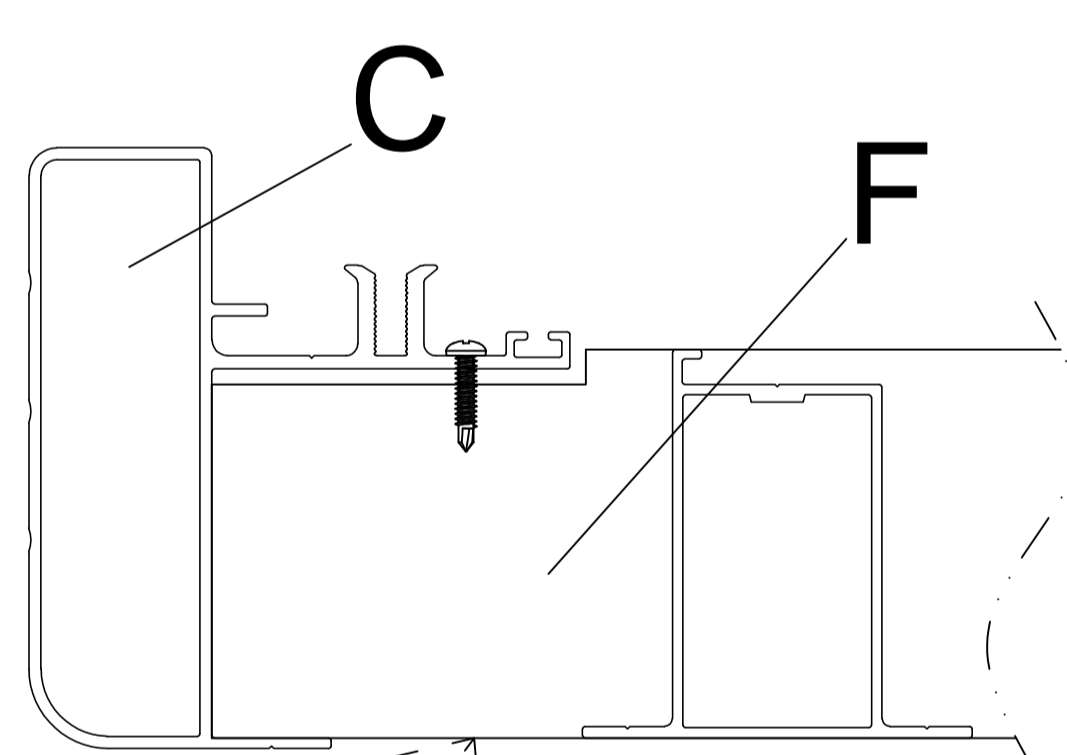
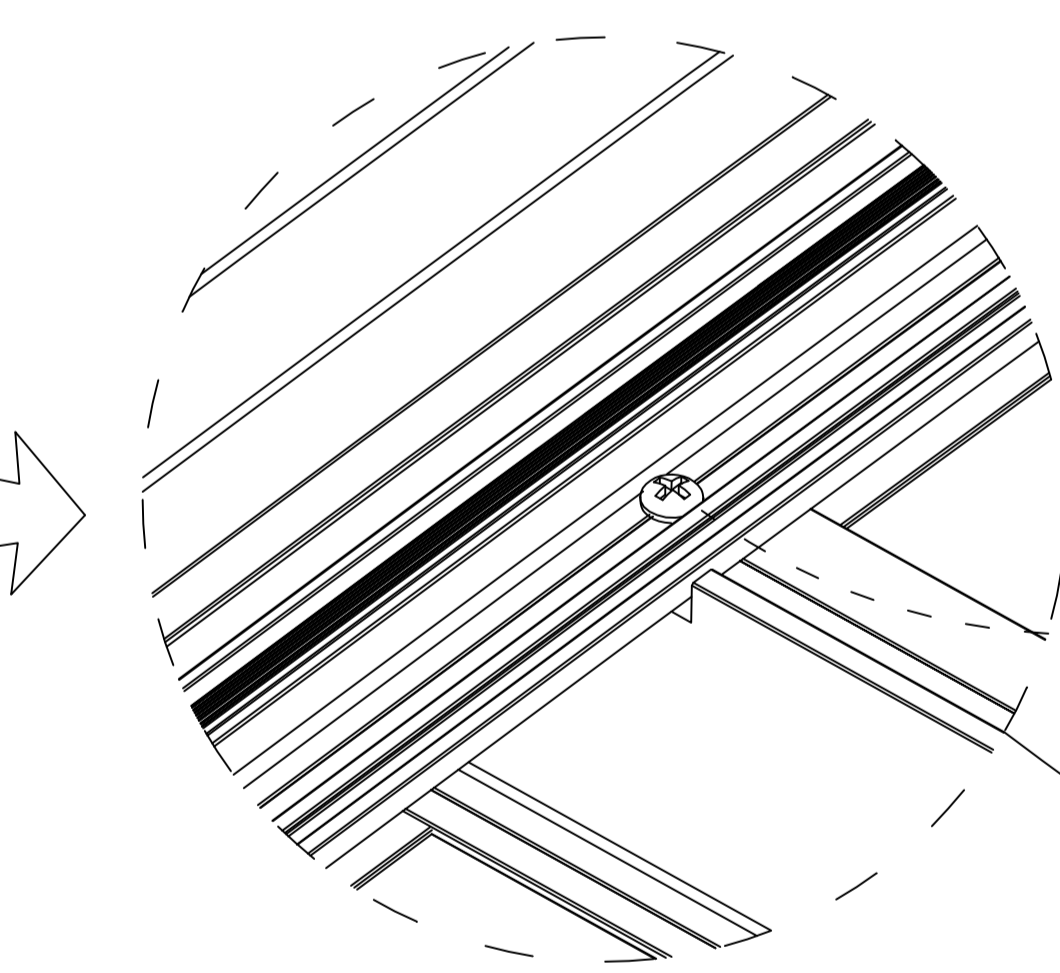
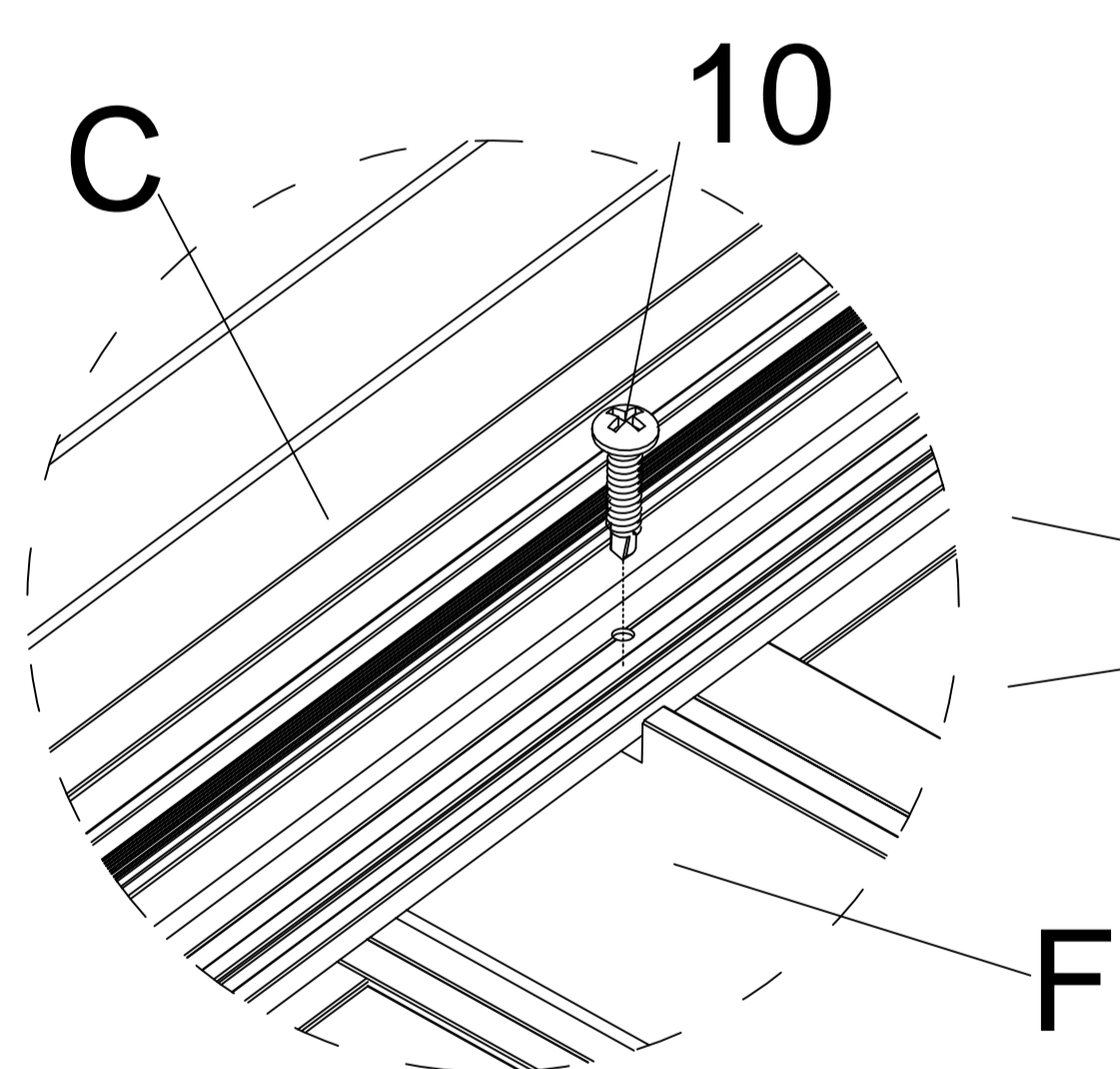
5.2.1 Take out of 4 pcs of lower capping ,and stuck them in the groove of middle frame



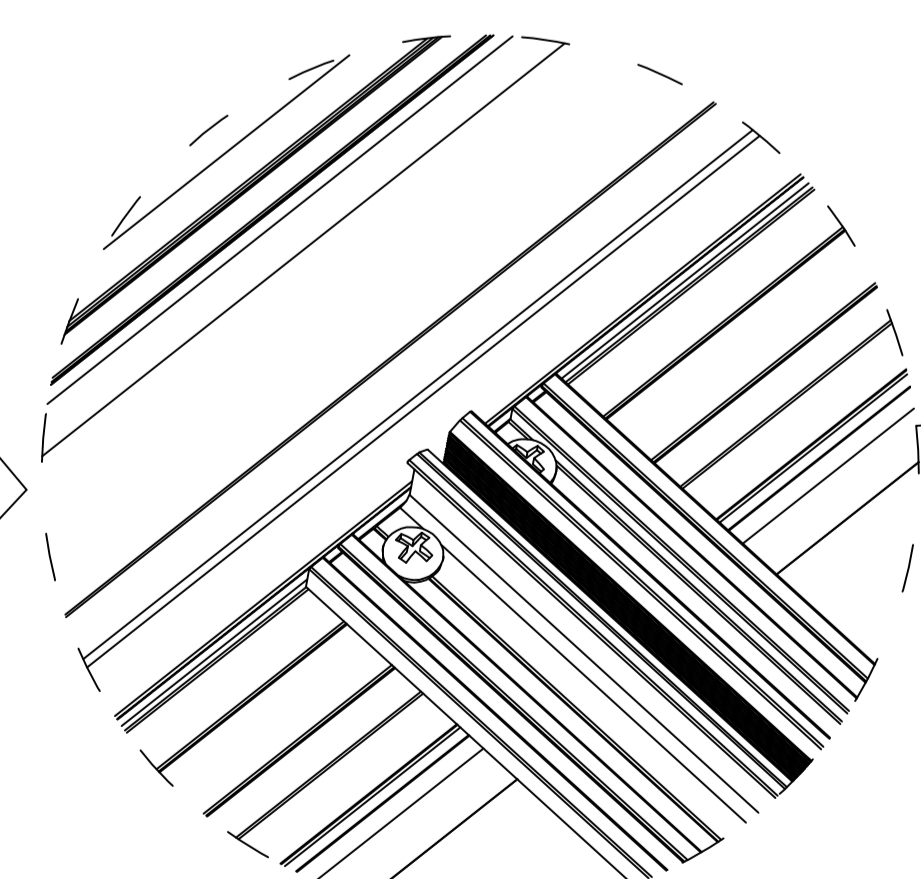
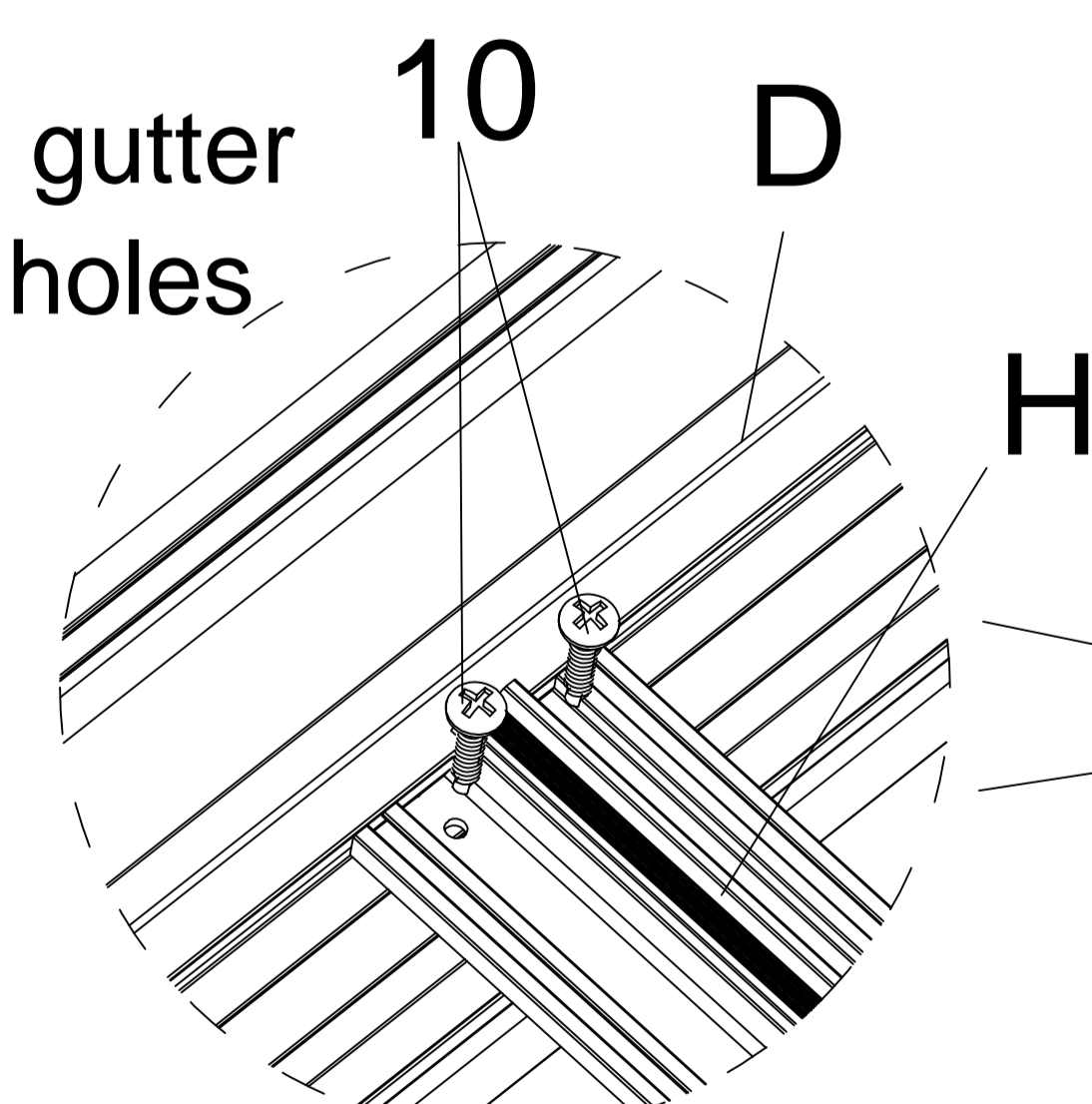
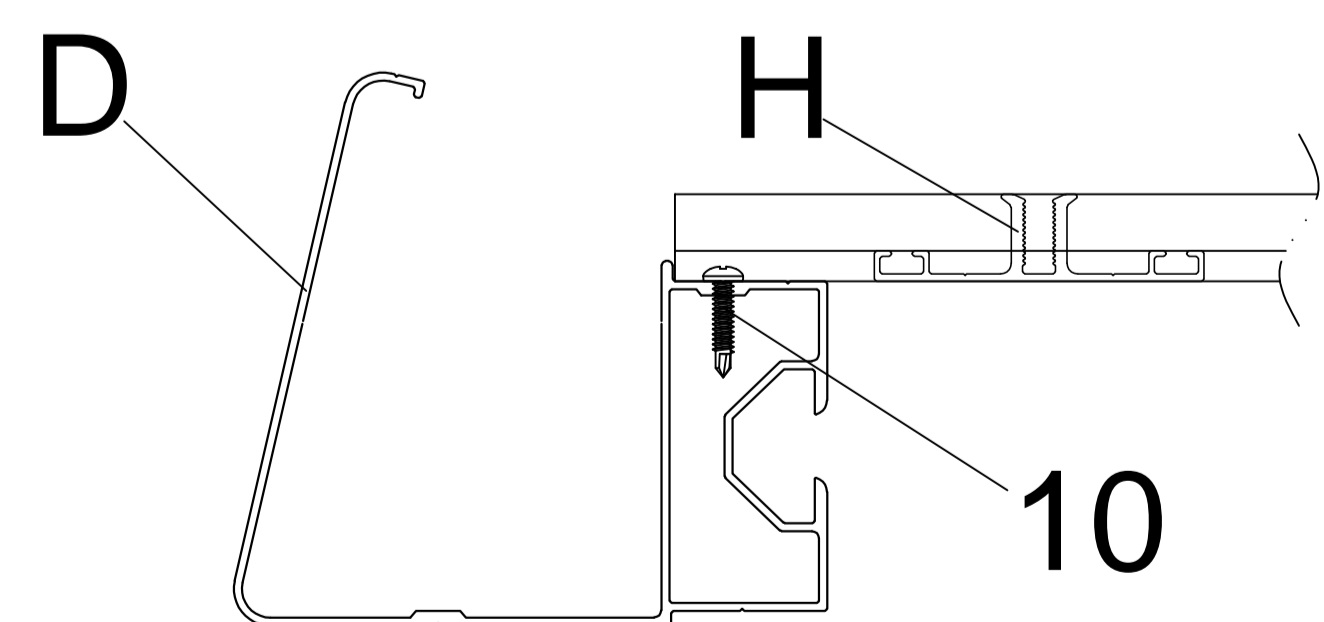
5.2.2, Align the lower capping with V ling ,and screw it . there are pre-drill screw holes on the lower capping



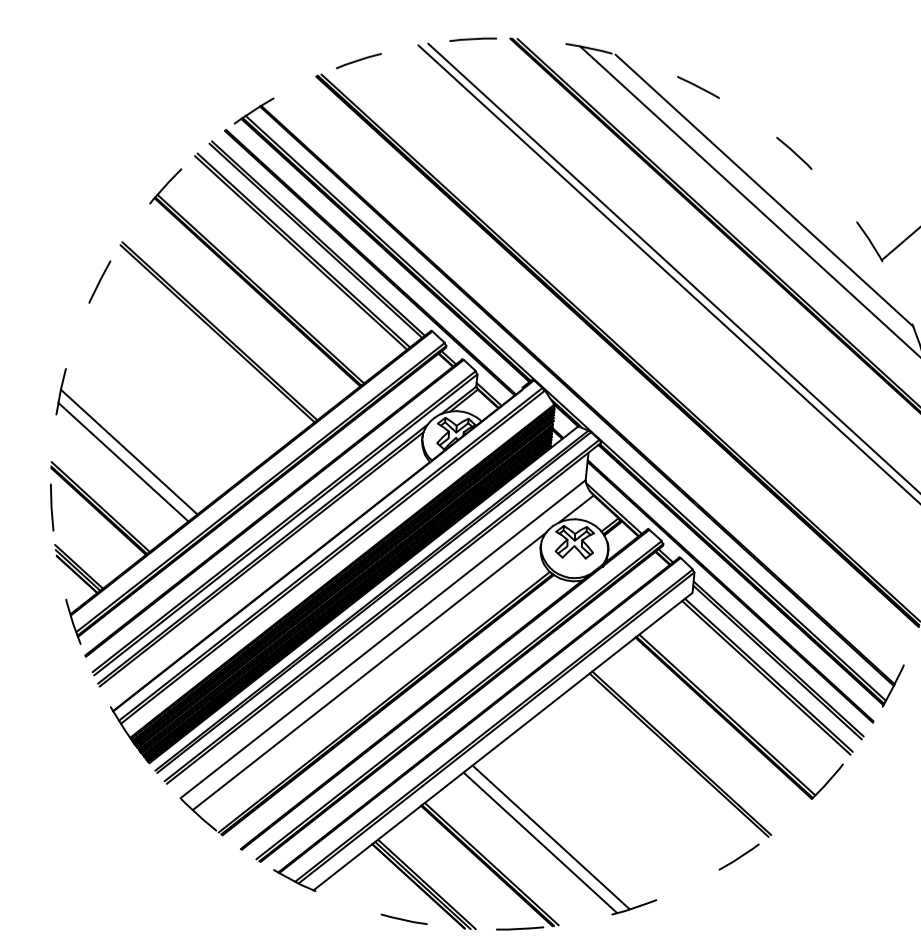
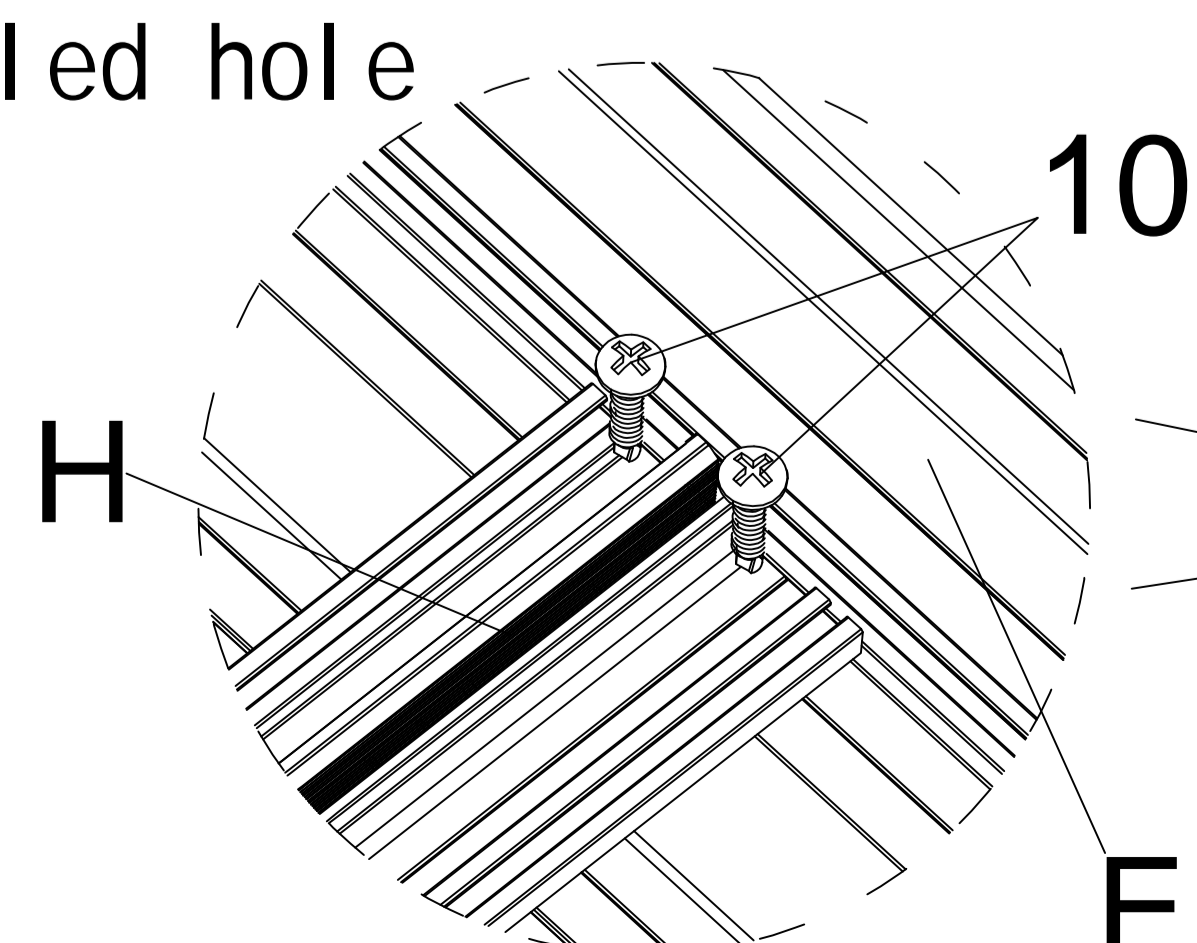
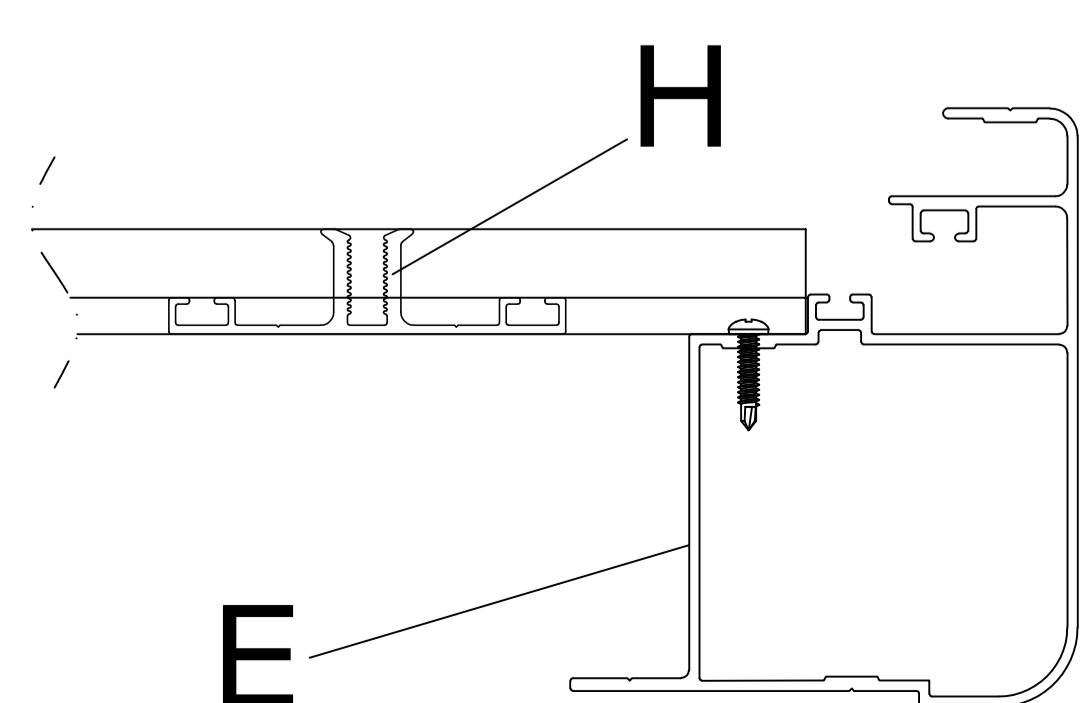
5.3、 Screw the middle frame with side frame at intersestion of V-lines on the profiles



5.4、 Fix the lower capping with gutter screw it into the pre-drilled holes

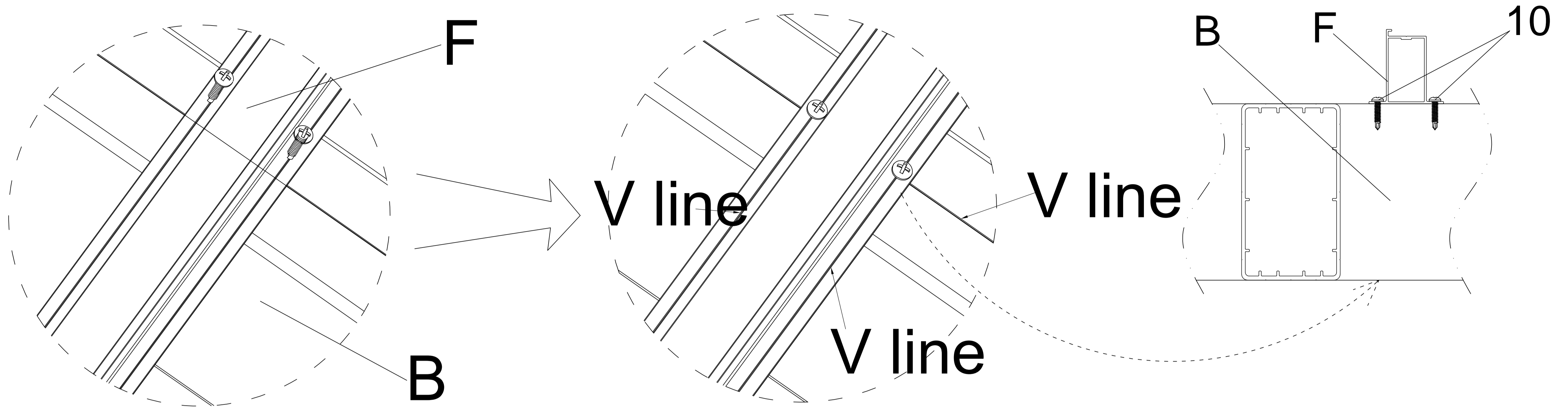


5.5、 fix the lower capping with front eave fix them on the pre-drilled hole

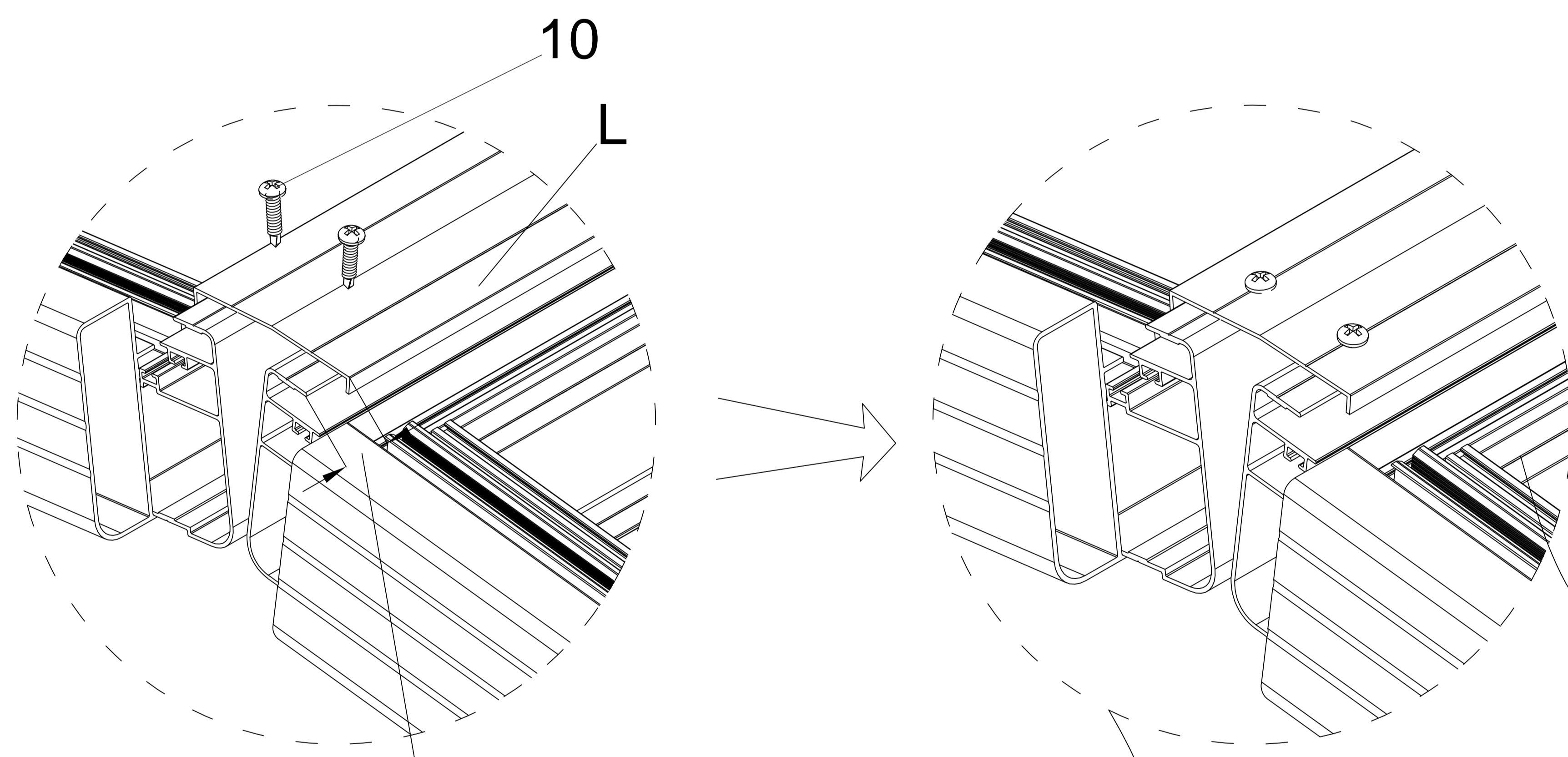


5. 6、 Fix the middle frame with post


screw it at the intersection of V-lines point

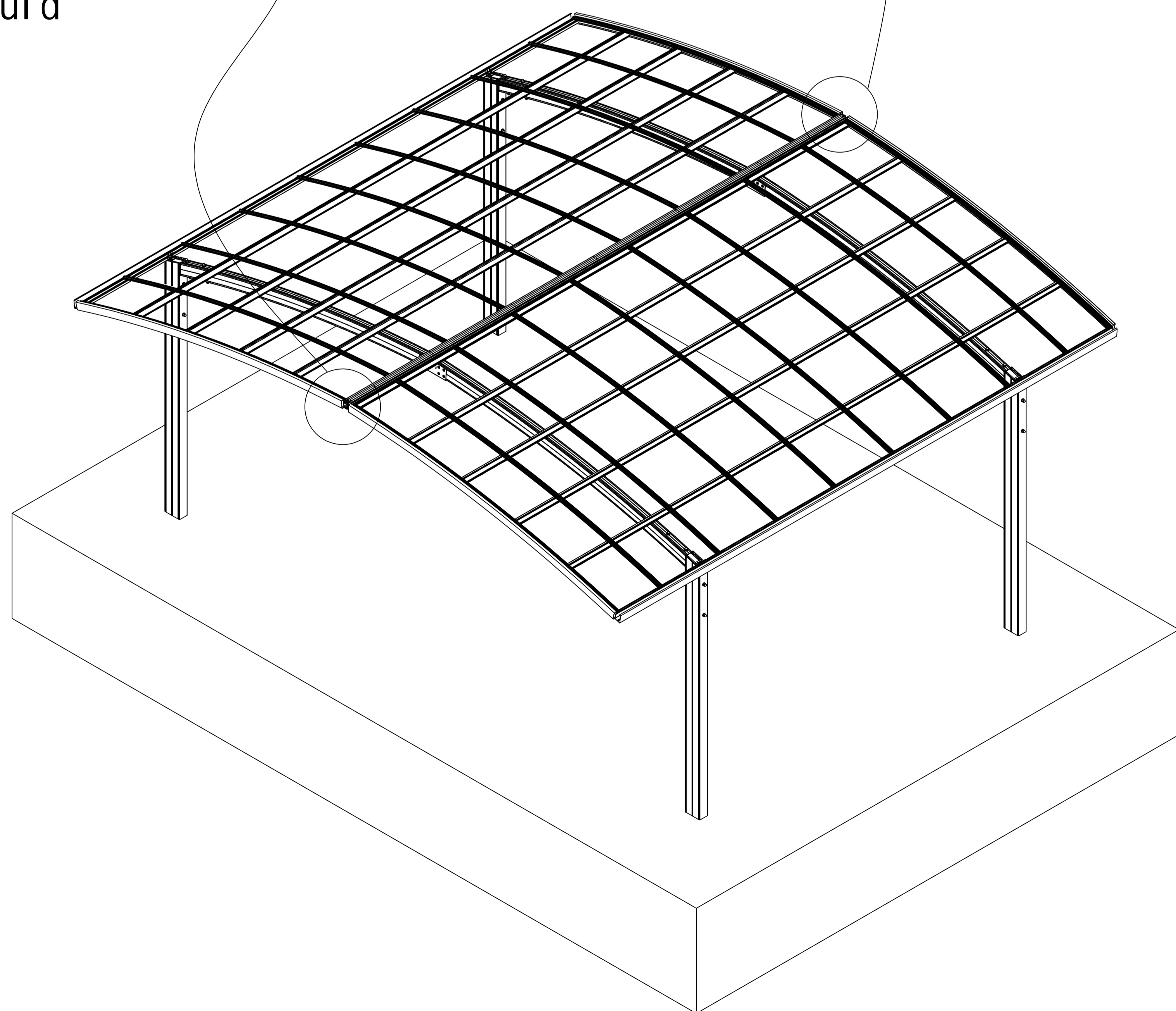


5. 7、 Stuck the V shape flashing on the gap, and screw it average 800mm-1000mm



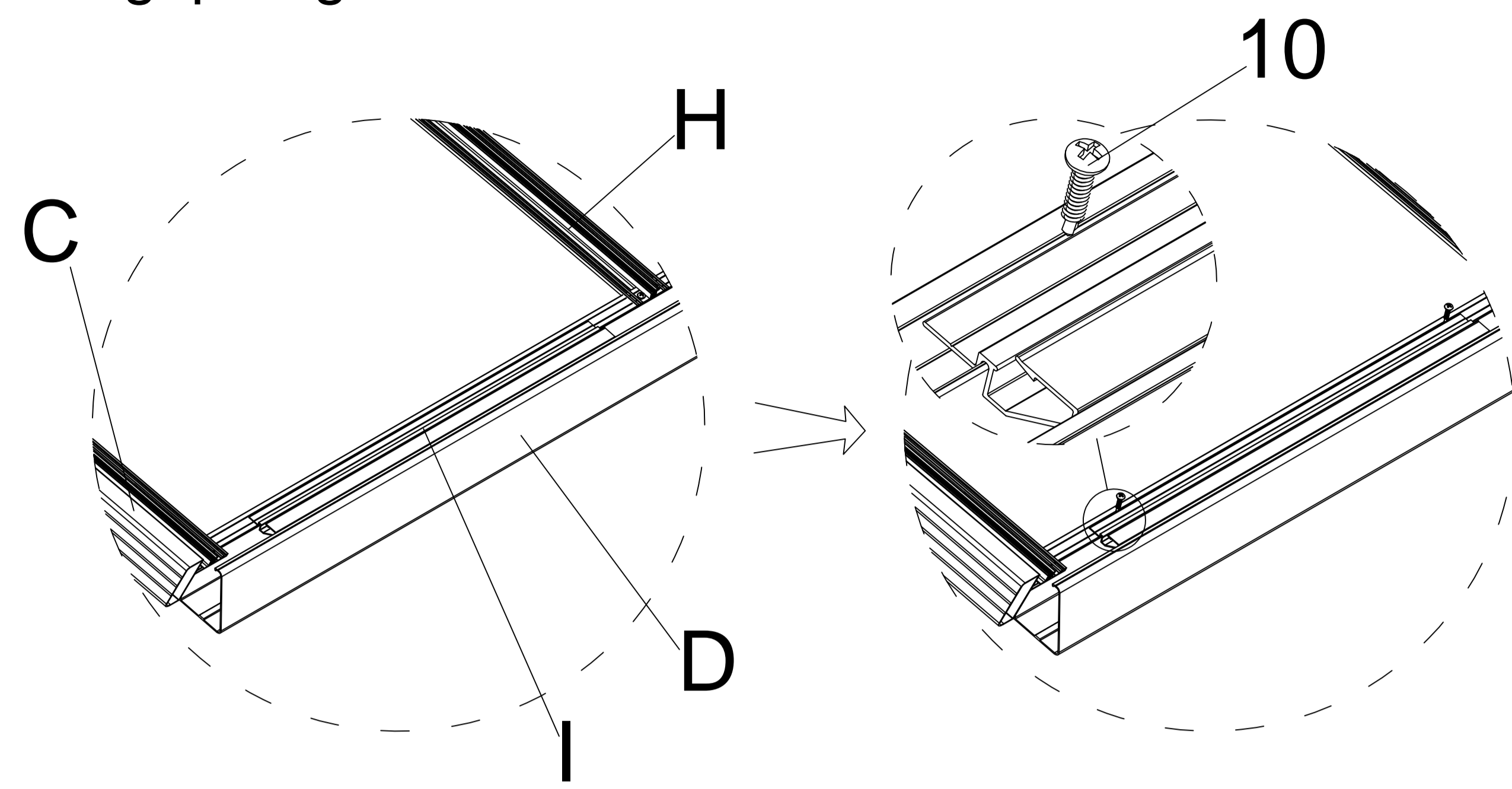
The V shape flashing should be in the middle of gap

 **Tip:**  
You must install the V shape flashing before settle the PC sheets. or else you can not screw the V shape flashing with PC sheets sealed

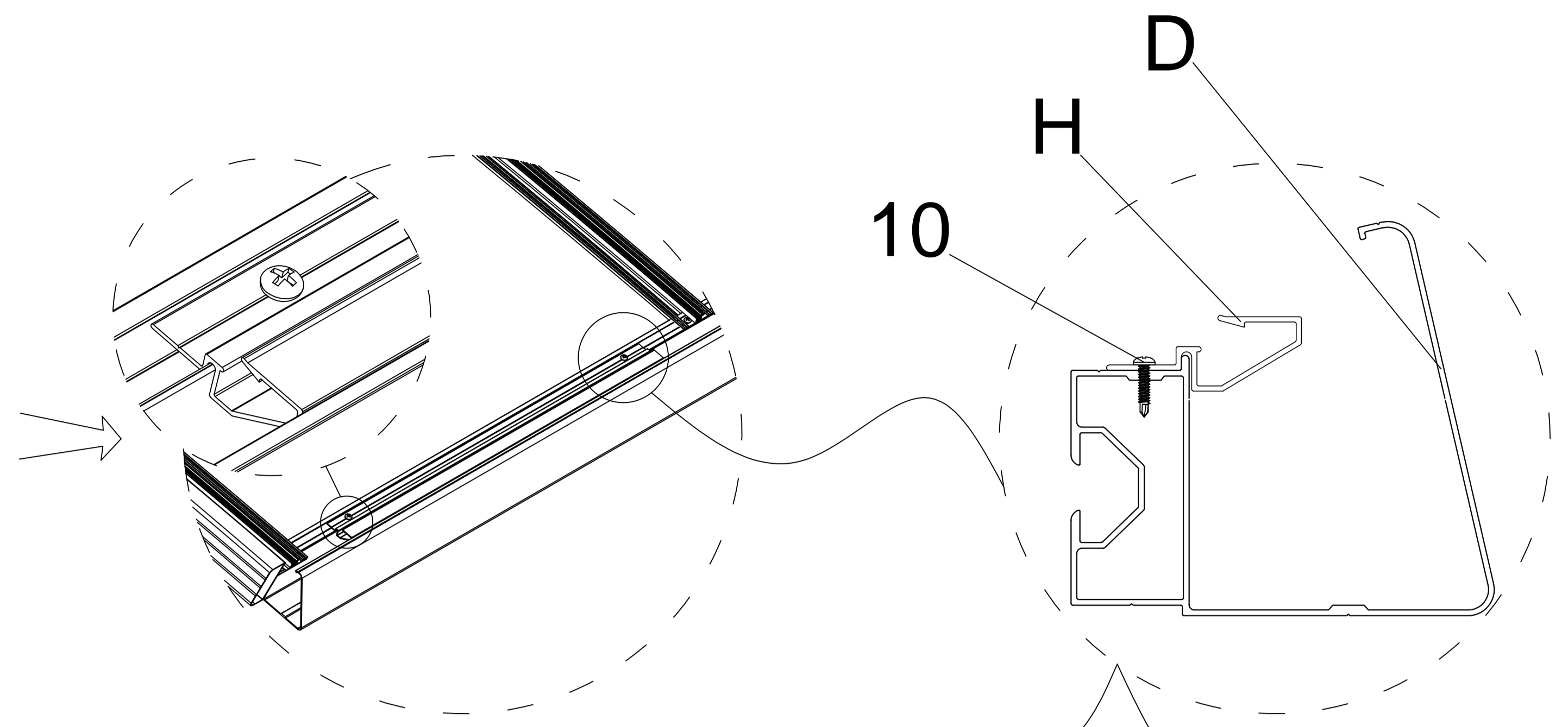


## Step 6: Install the snap-gauge and PC sheets

6.1、 Stuck the snap-gauge into the gap of gutter

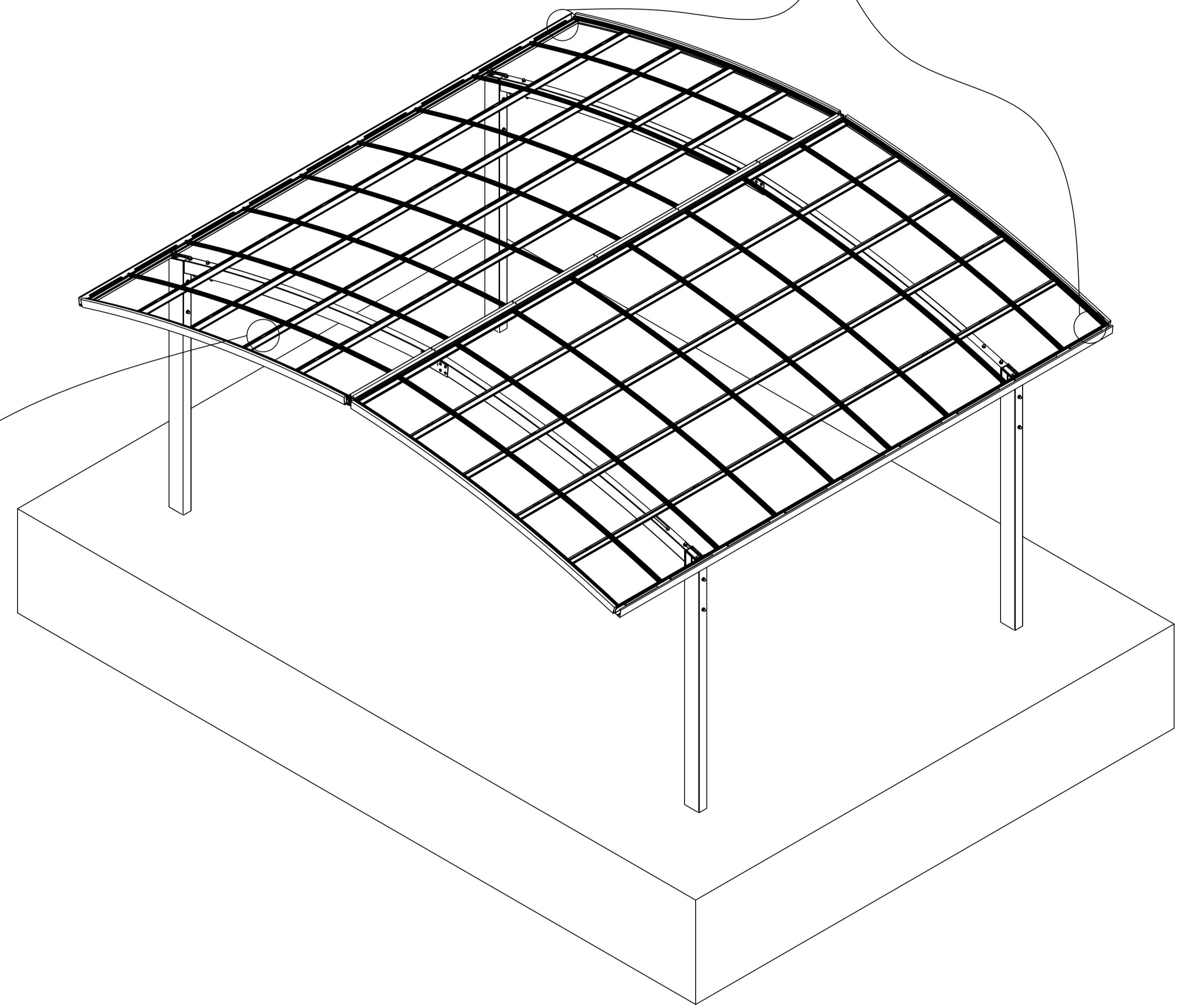
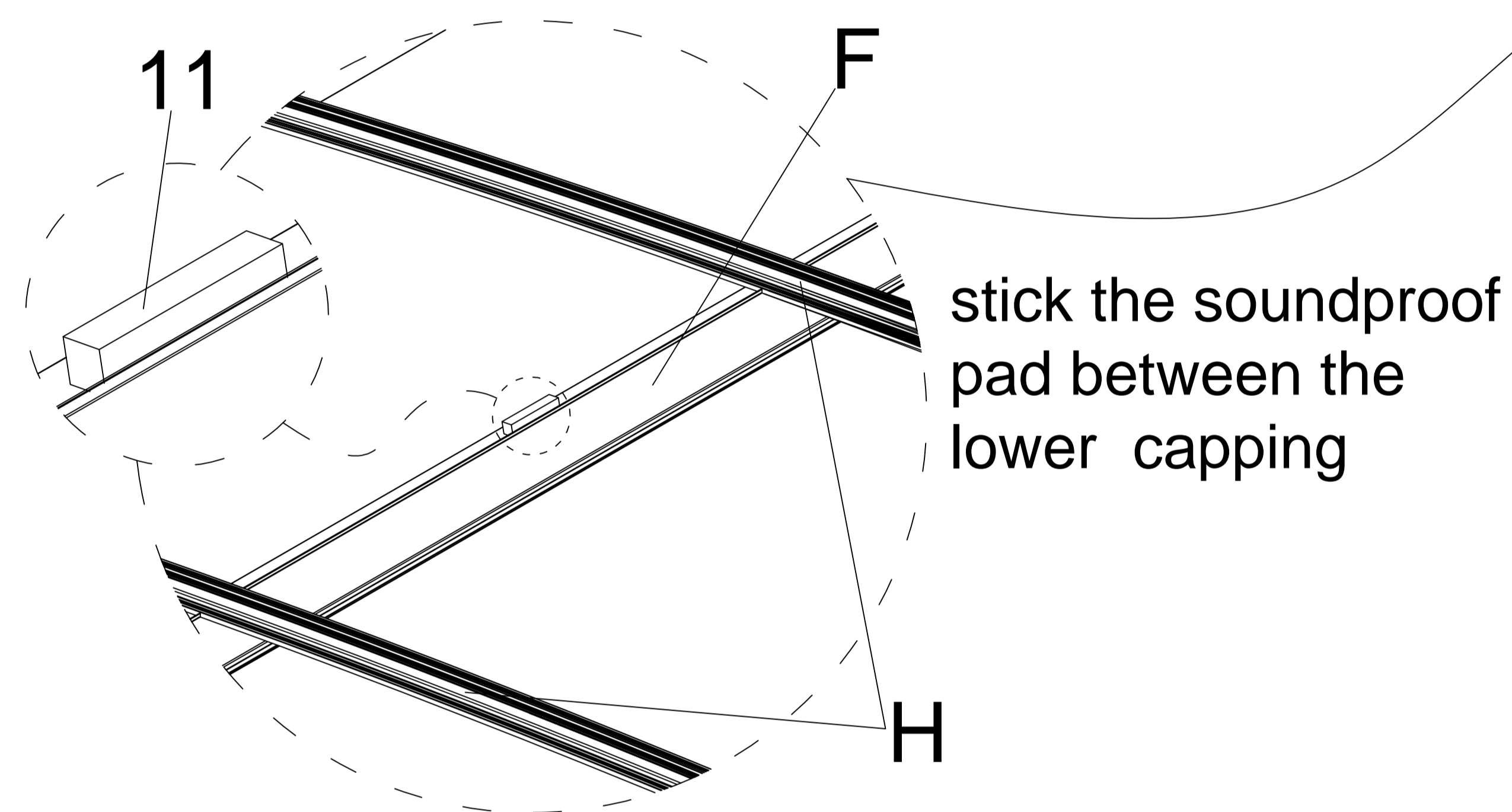


6.2、 Screw the snap-gauge at the position of 30mm distance to the end



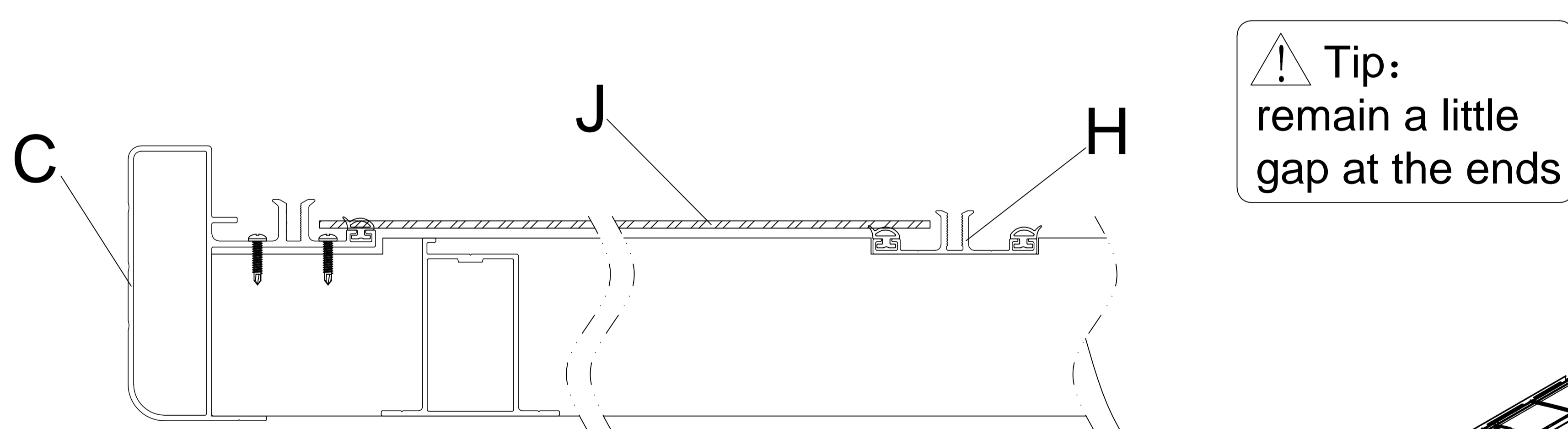
6.3、 Install the PC sheets

6.3.1 You should stick the soundproof pad before install PC sheets

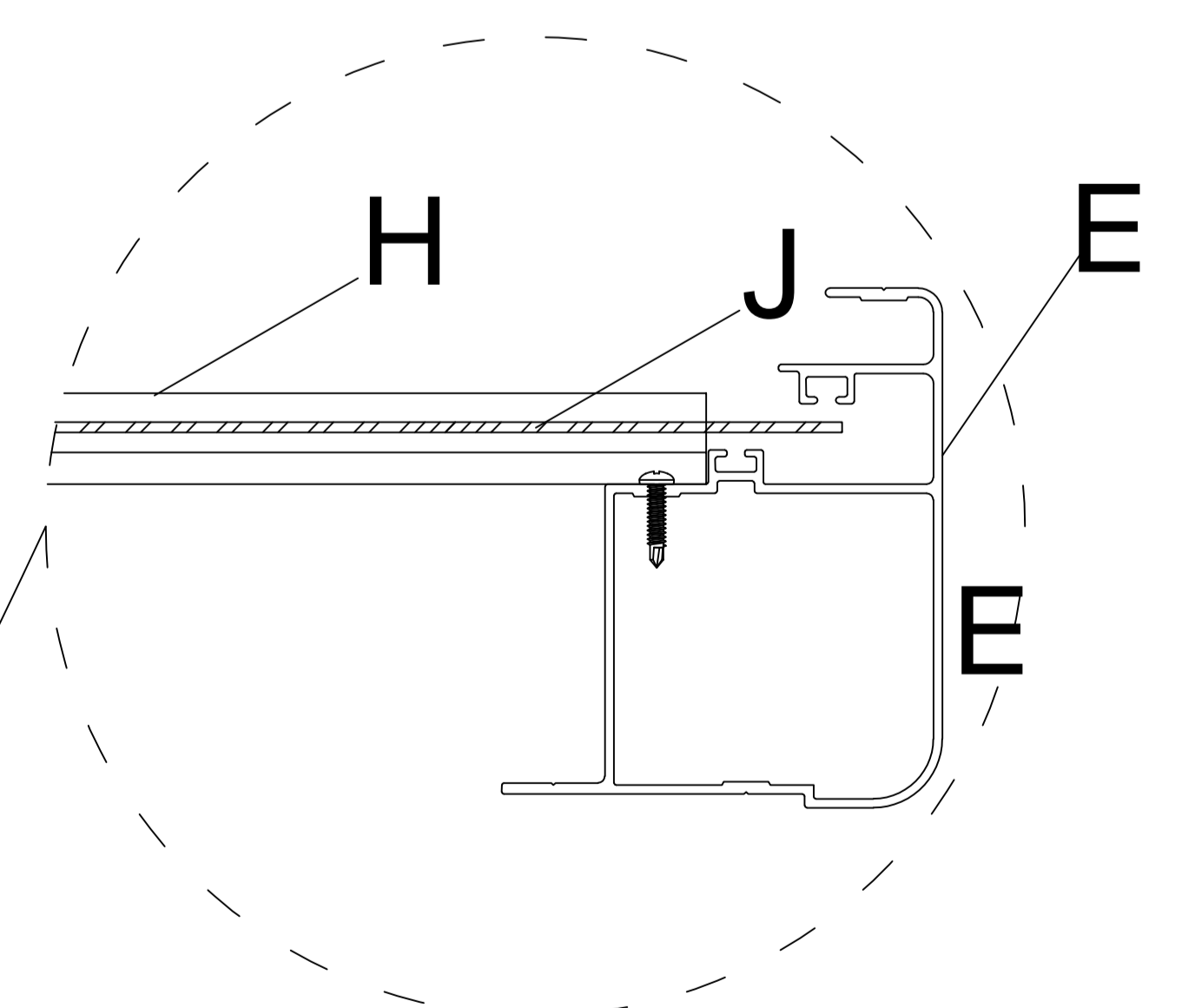


6.3.2 You should check all PC sheets position and start from any side

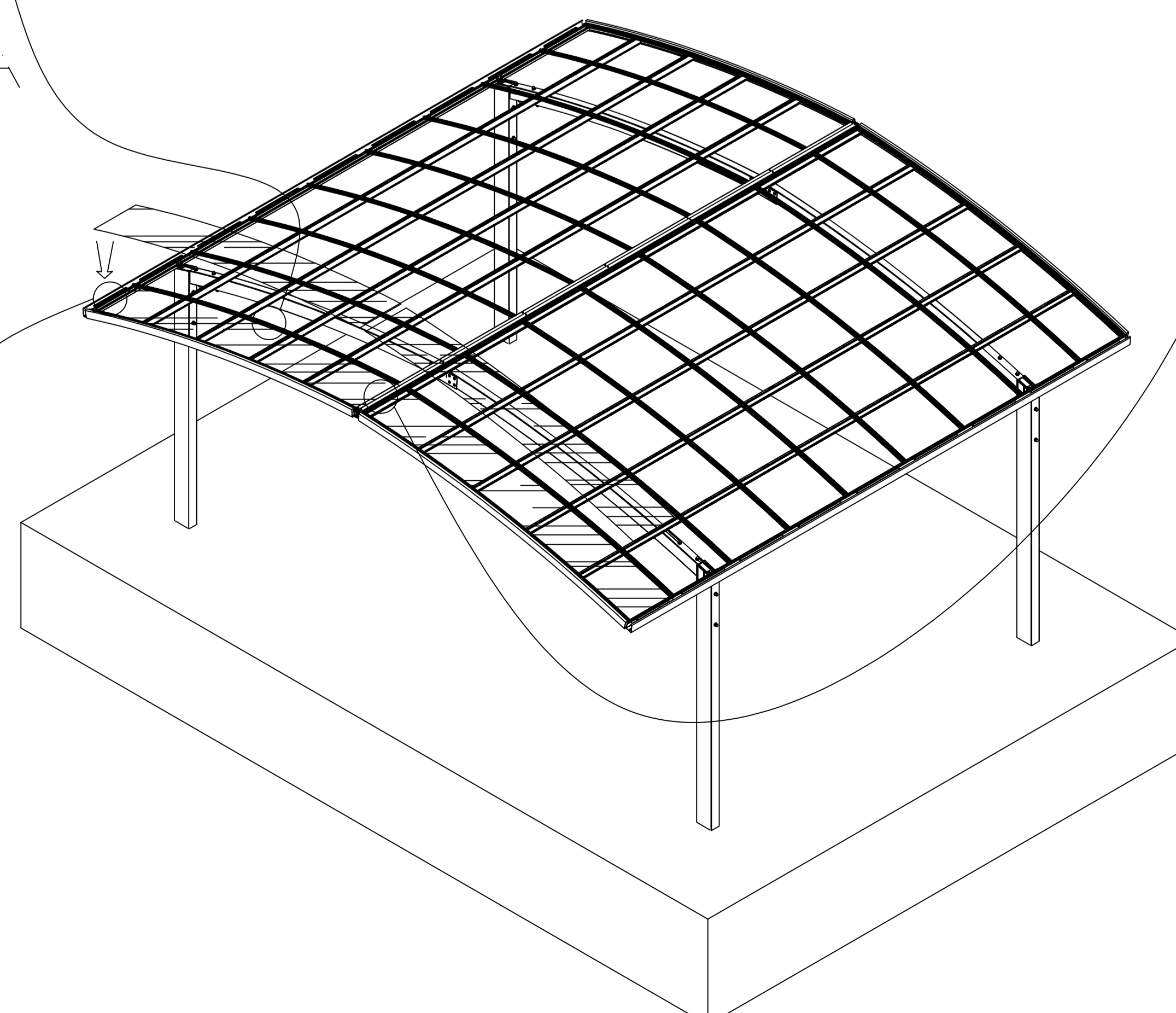
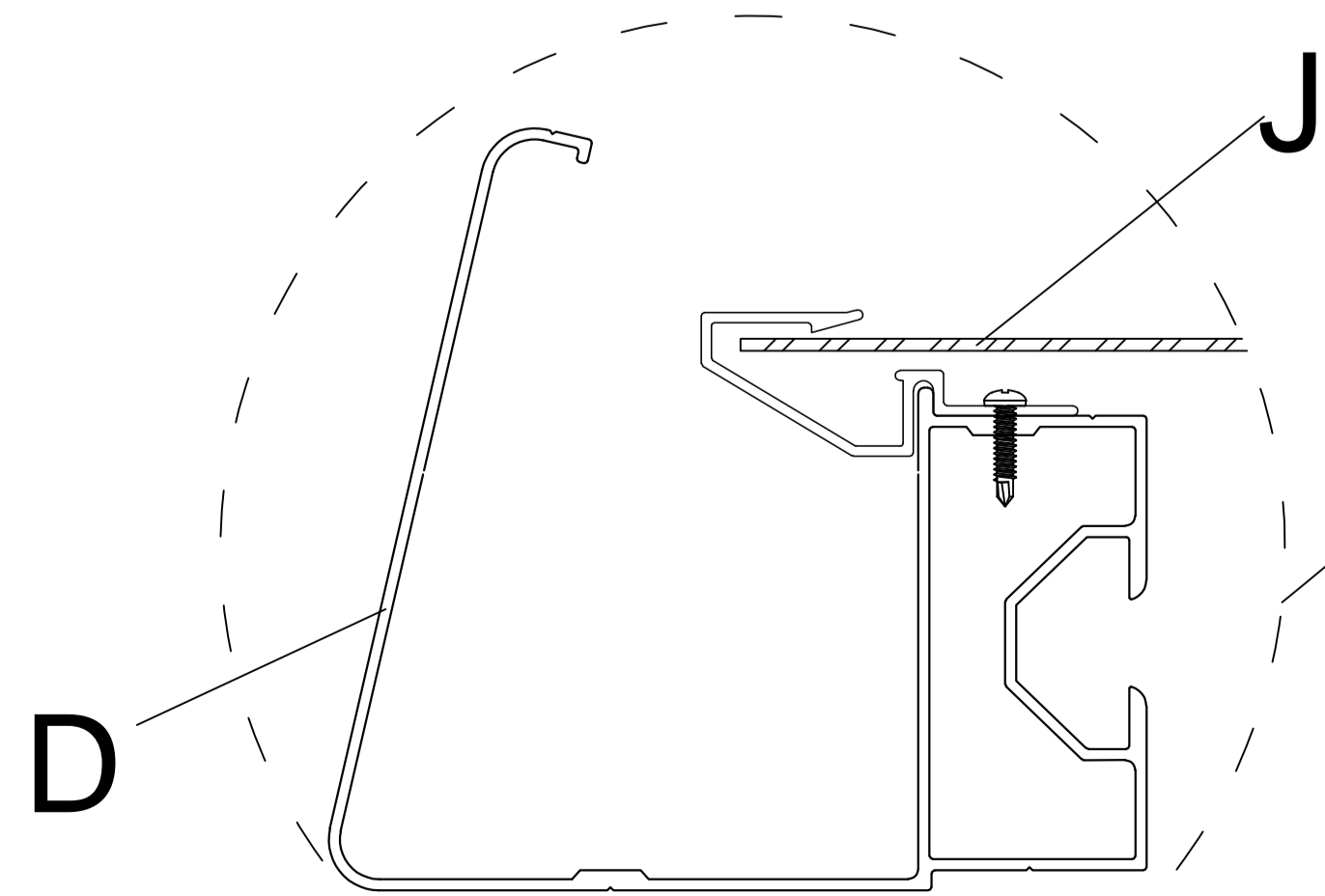
6.3.3、 Remove the protection film and settle the PC sheets



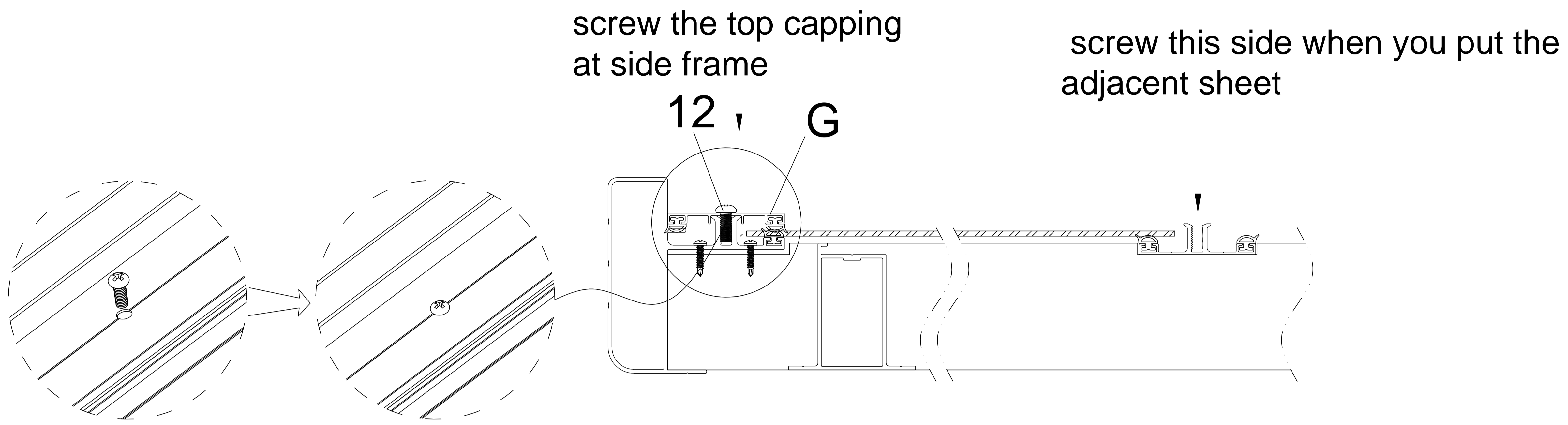
6.3.5、 Insert the PC sheets into the front eave



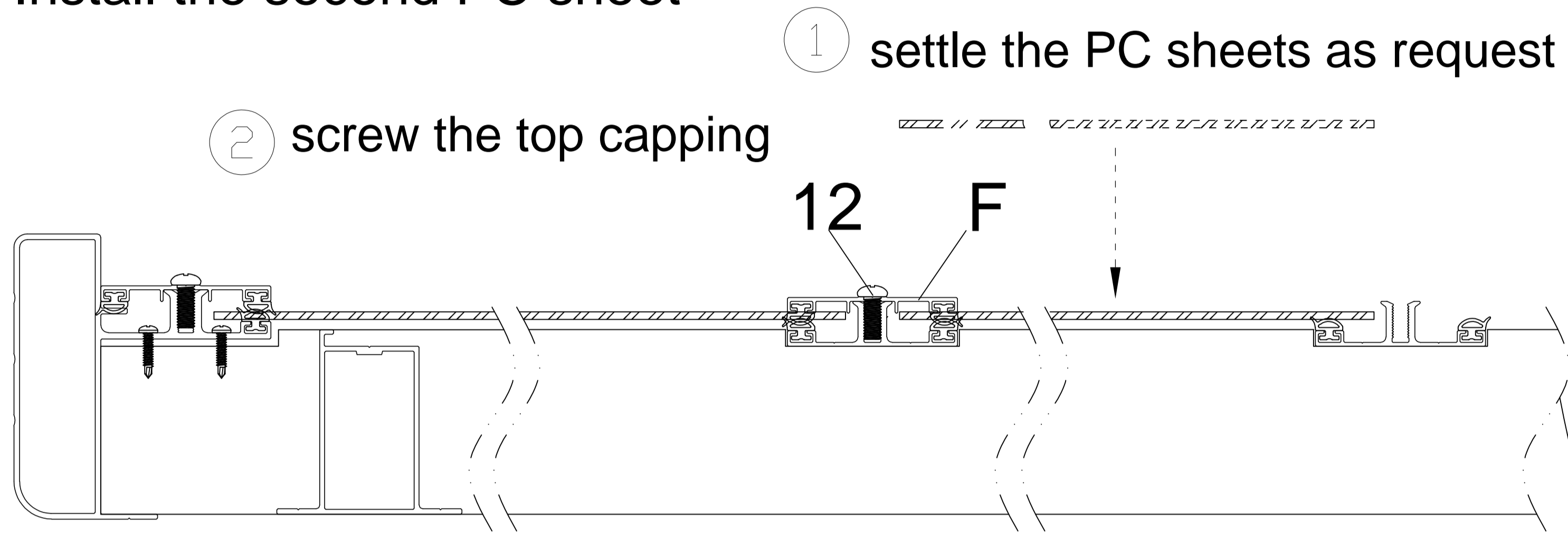
6.3.4、 Stuck the PC sheets into the groove



6.3.6、 When you finish the PC sheets installtion , you should cover the top capping and screw them



6.3.7、 Install the second PC sheet

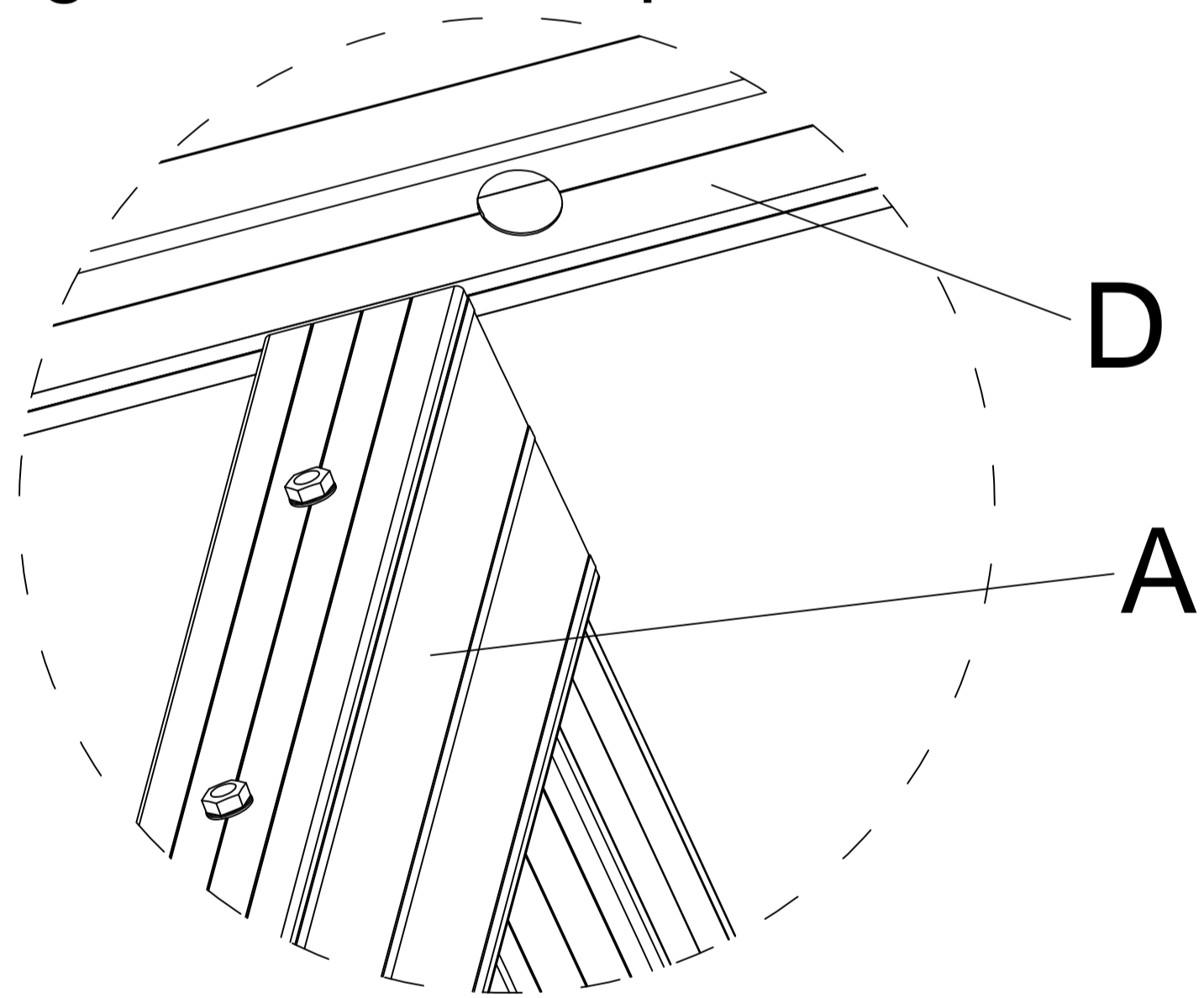


6.3.8、 Install the remain PC sheets as previous

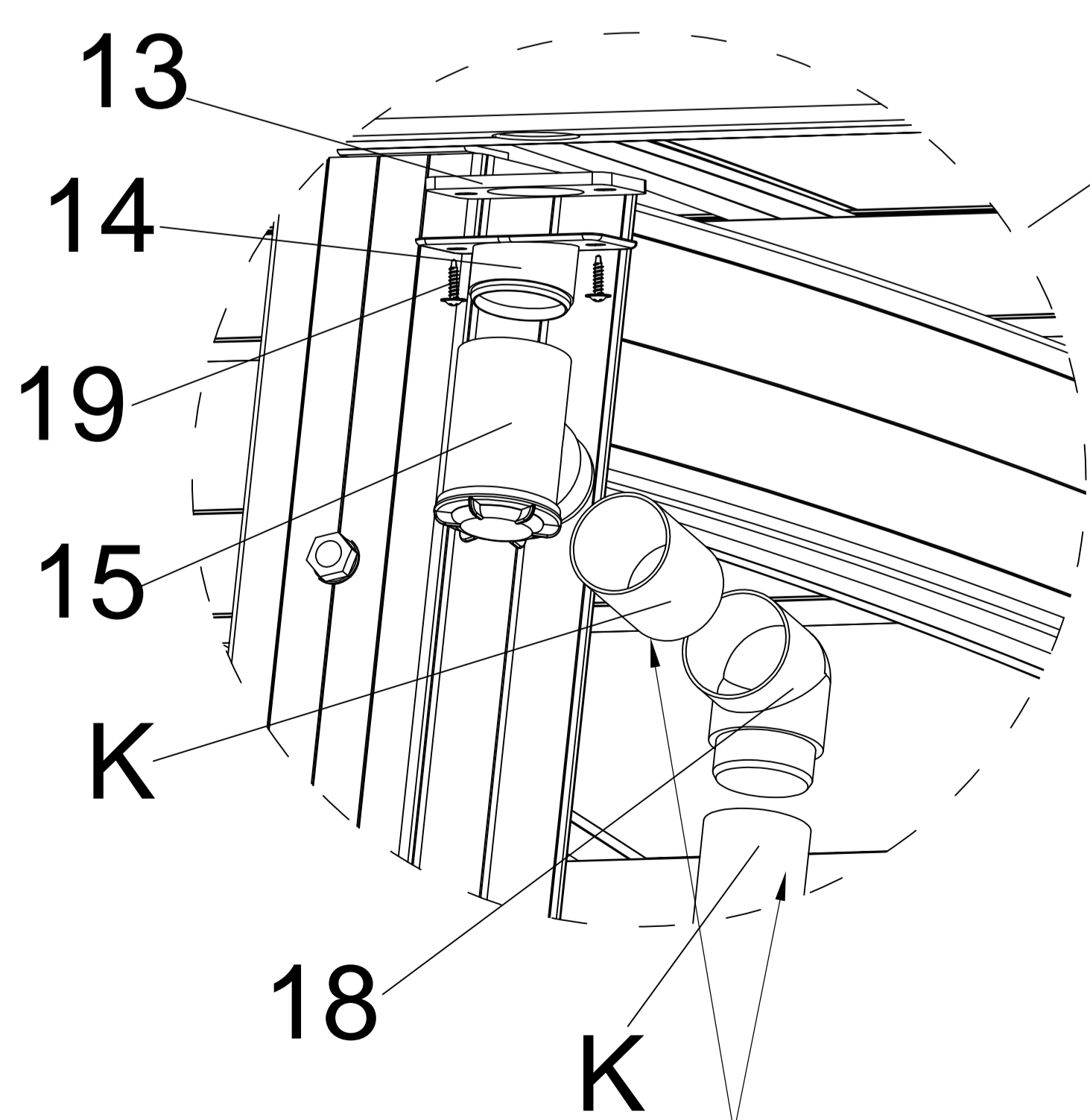
### Step 7: Install the drainage system

⚠ Tip:  
You should cut the downpipe as request

7.1、 Open a hole diameter  $\text{Ø}35\text{-}\text{Ø}38\text{mm}$  on the gutter ,close to post

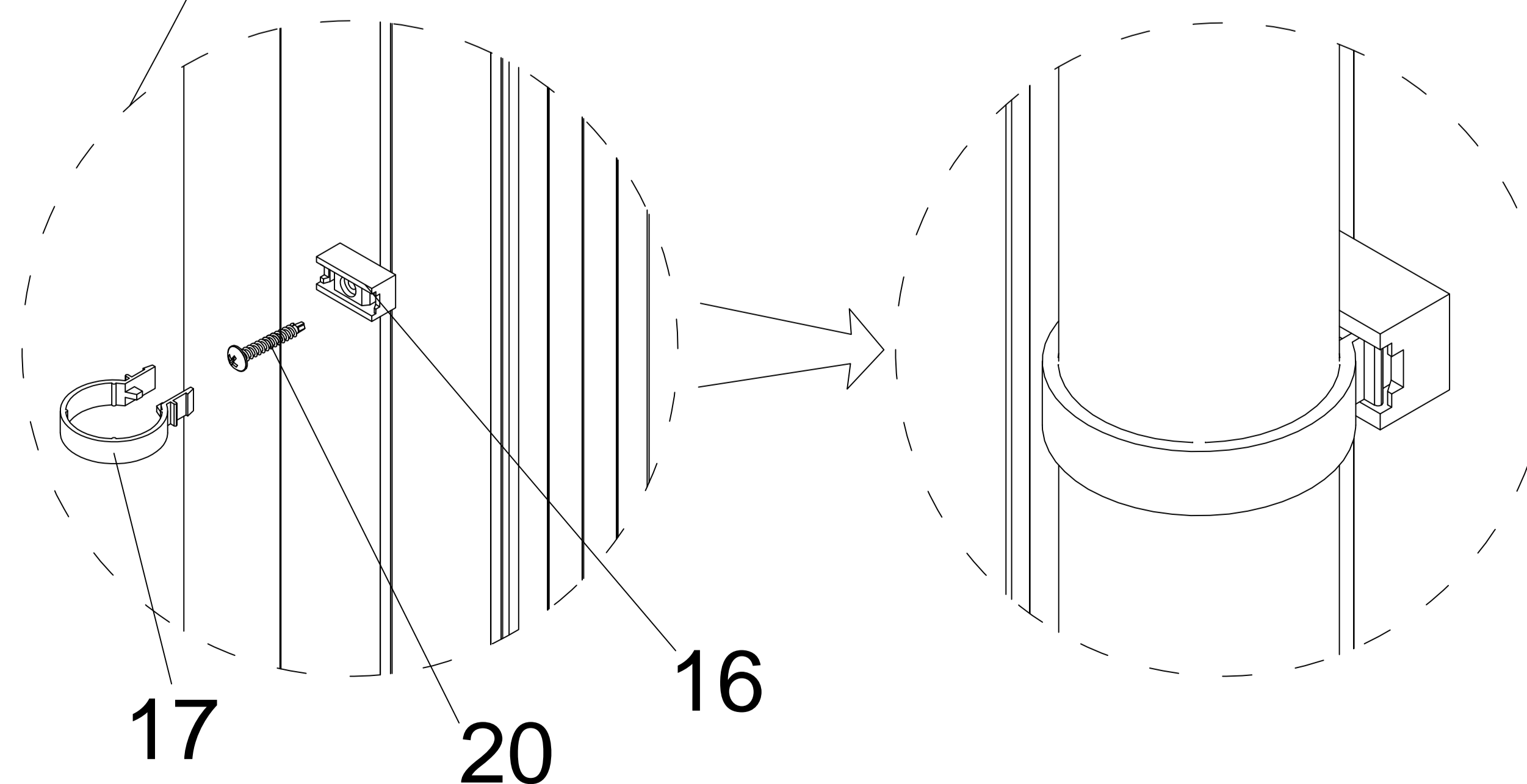


7.2、 Install the downpipe

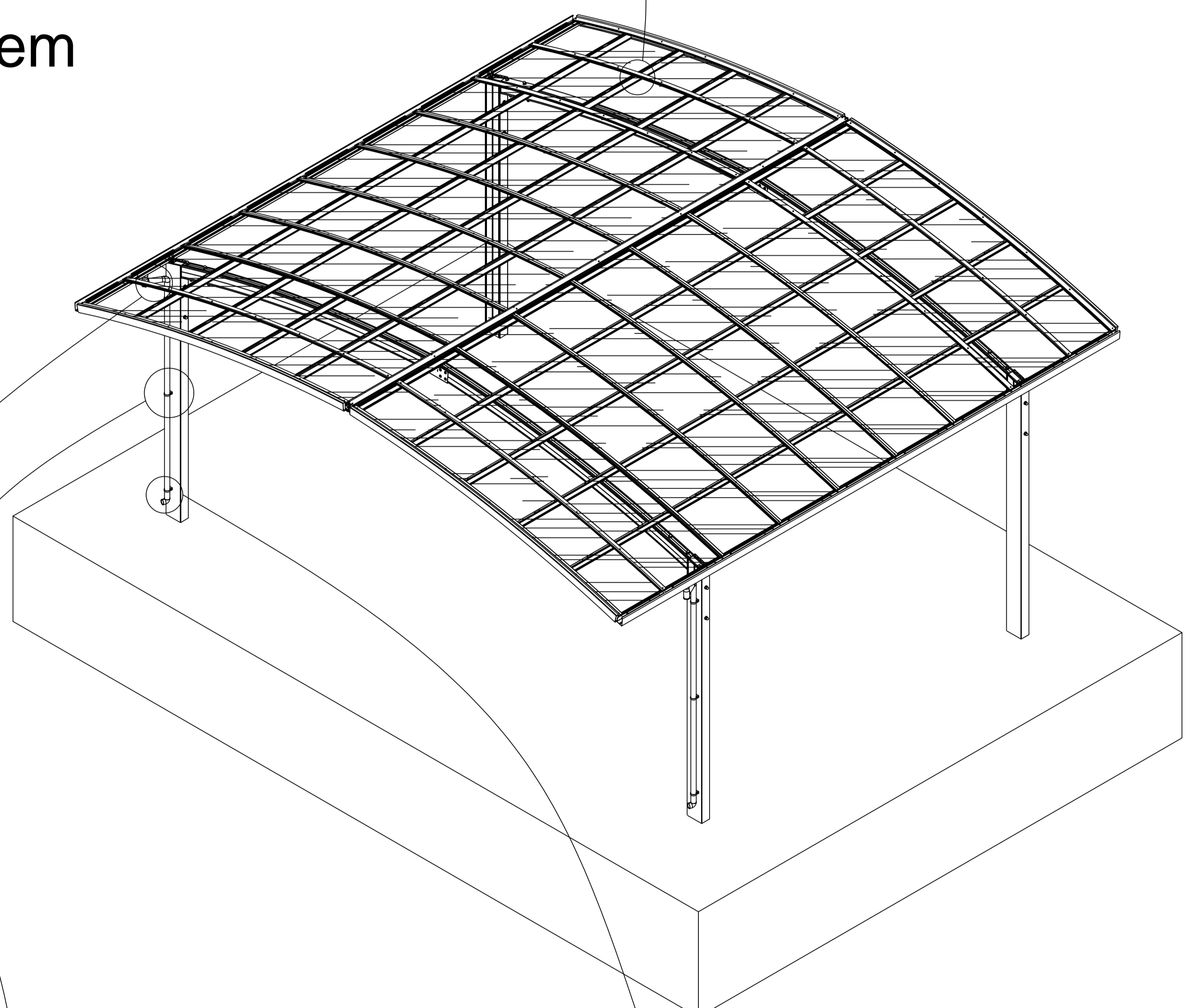
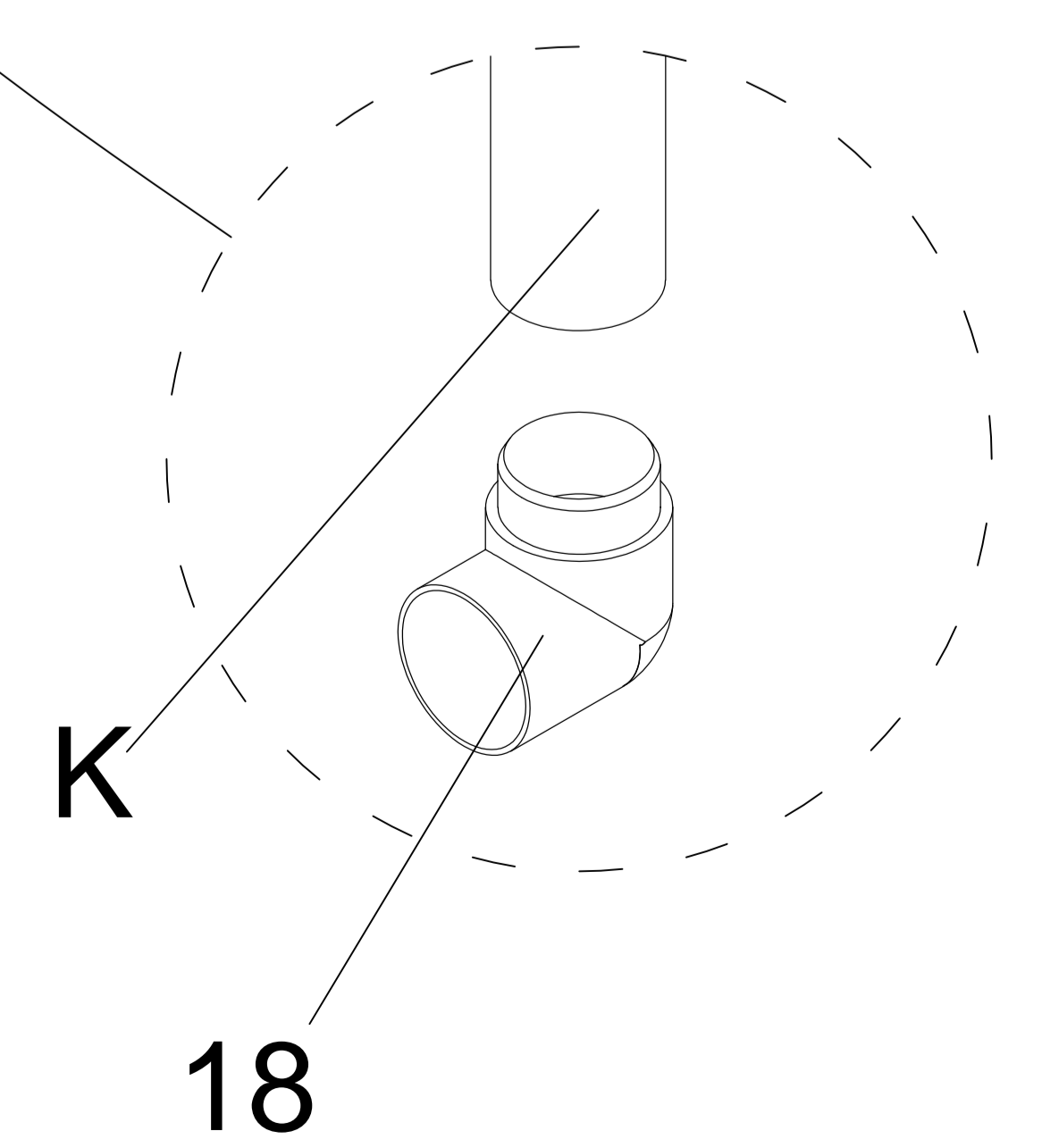


cut the downpipe as request

7.3、 Install the downpipe holder

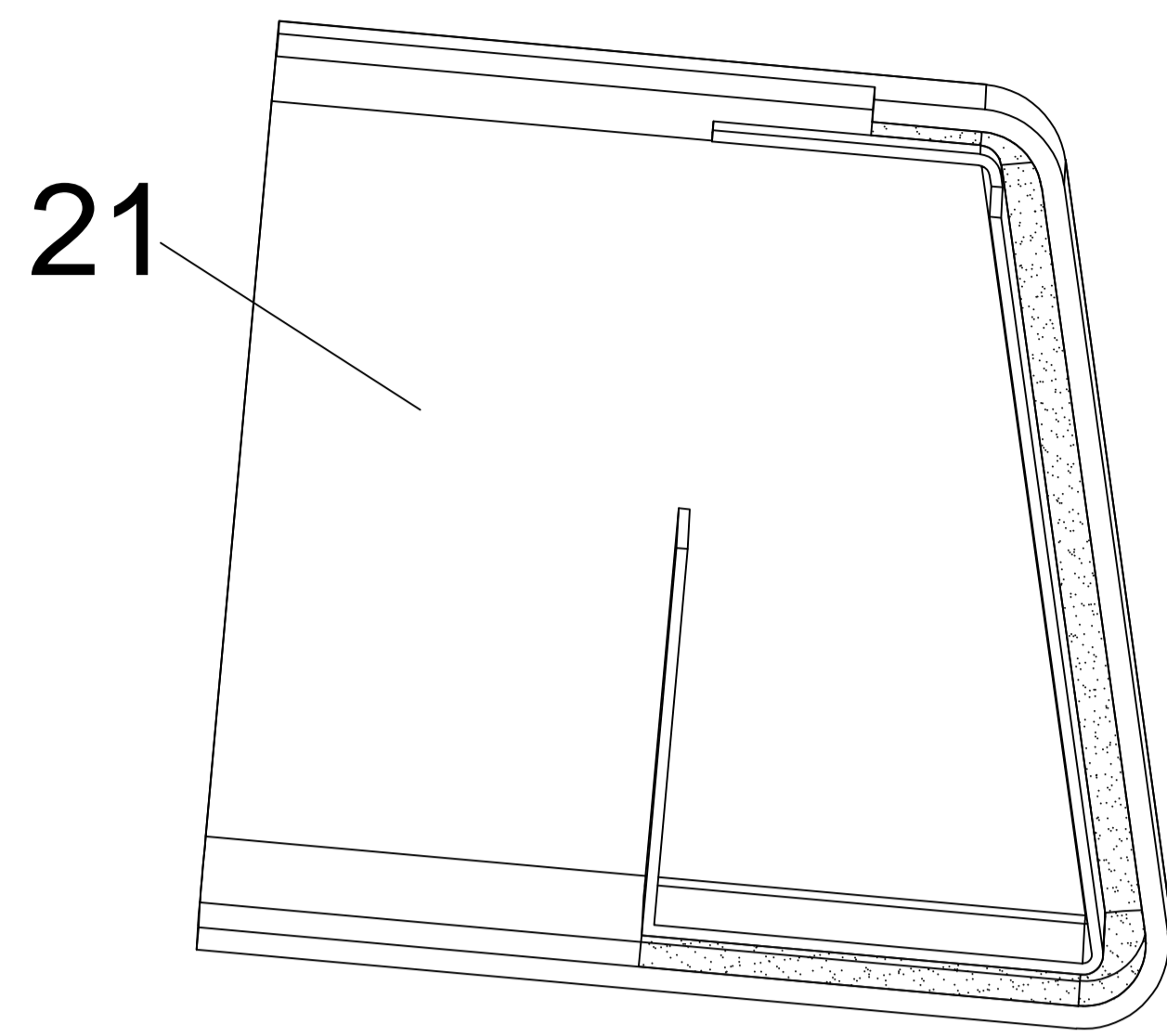


7.4、 Install the downpipe elbow

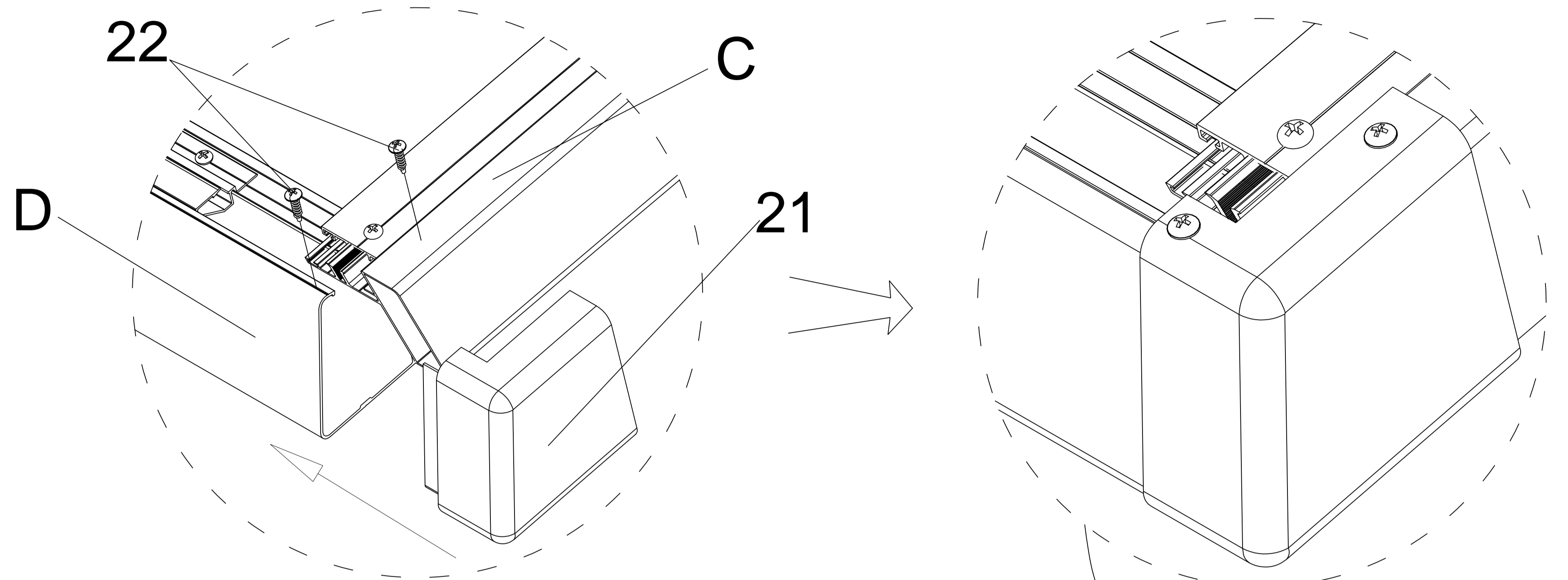


### Step 8: Install the gutter caps

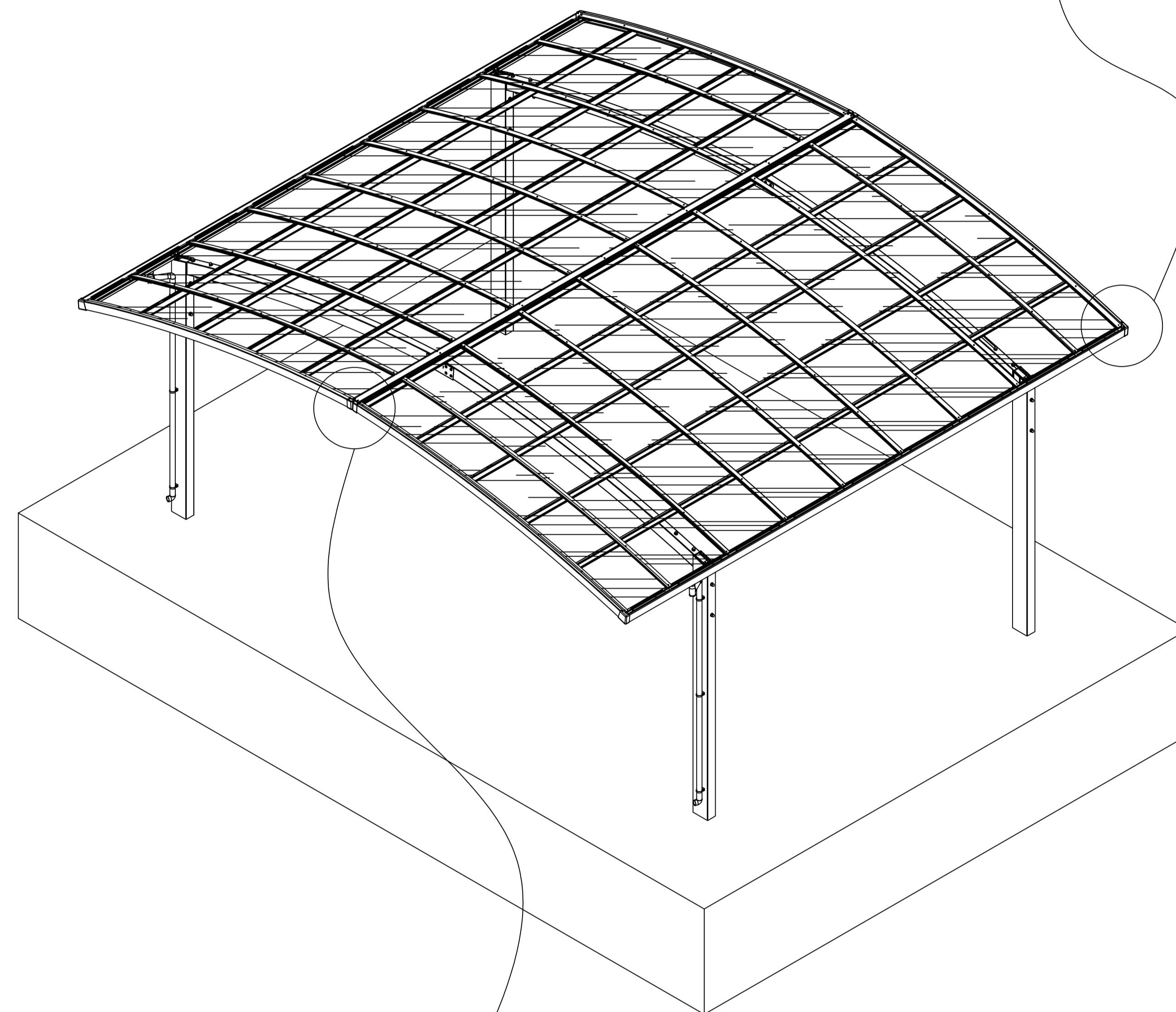
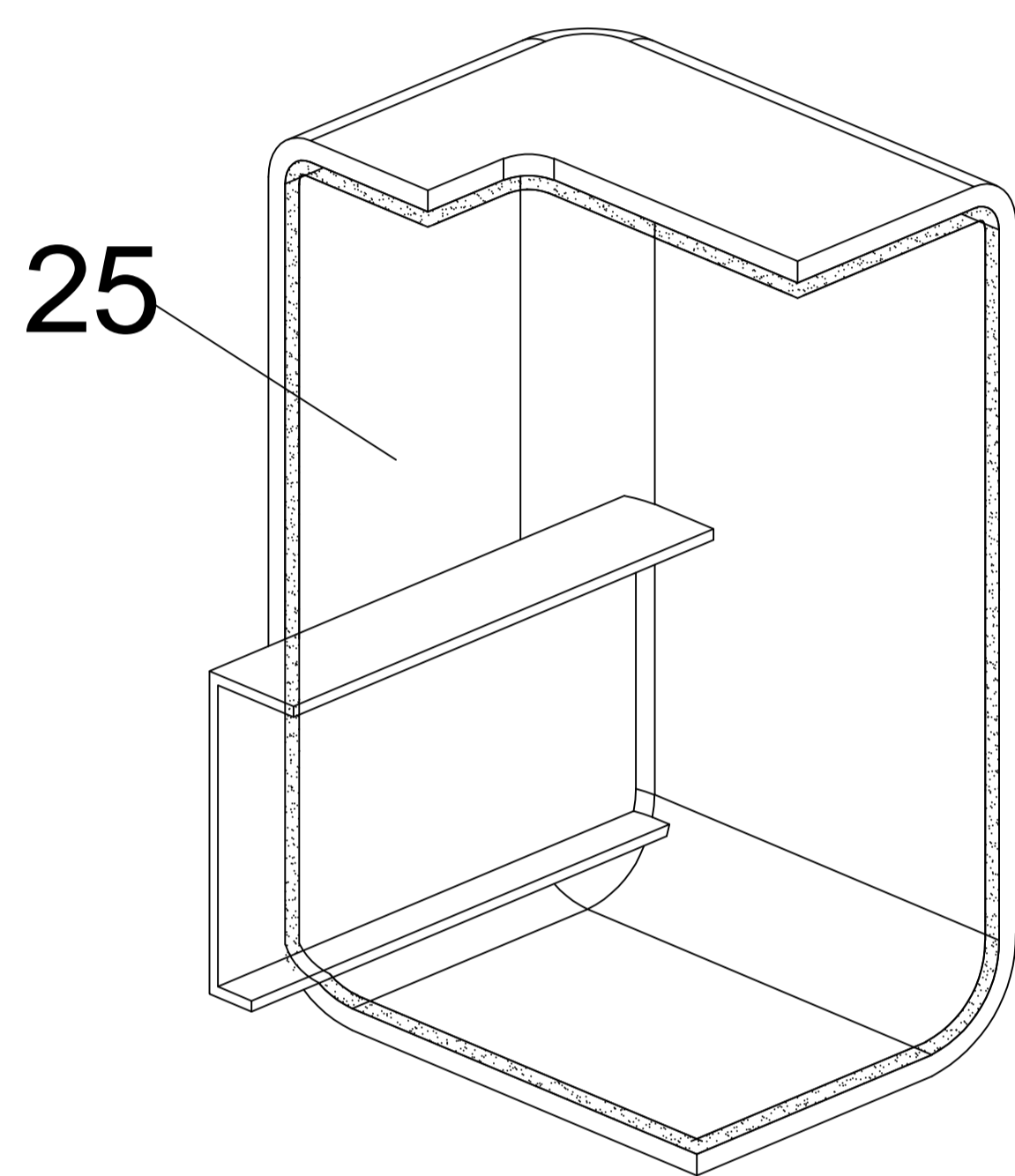
8.1、 Spread silicone sealant on the cap edge



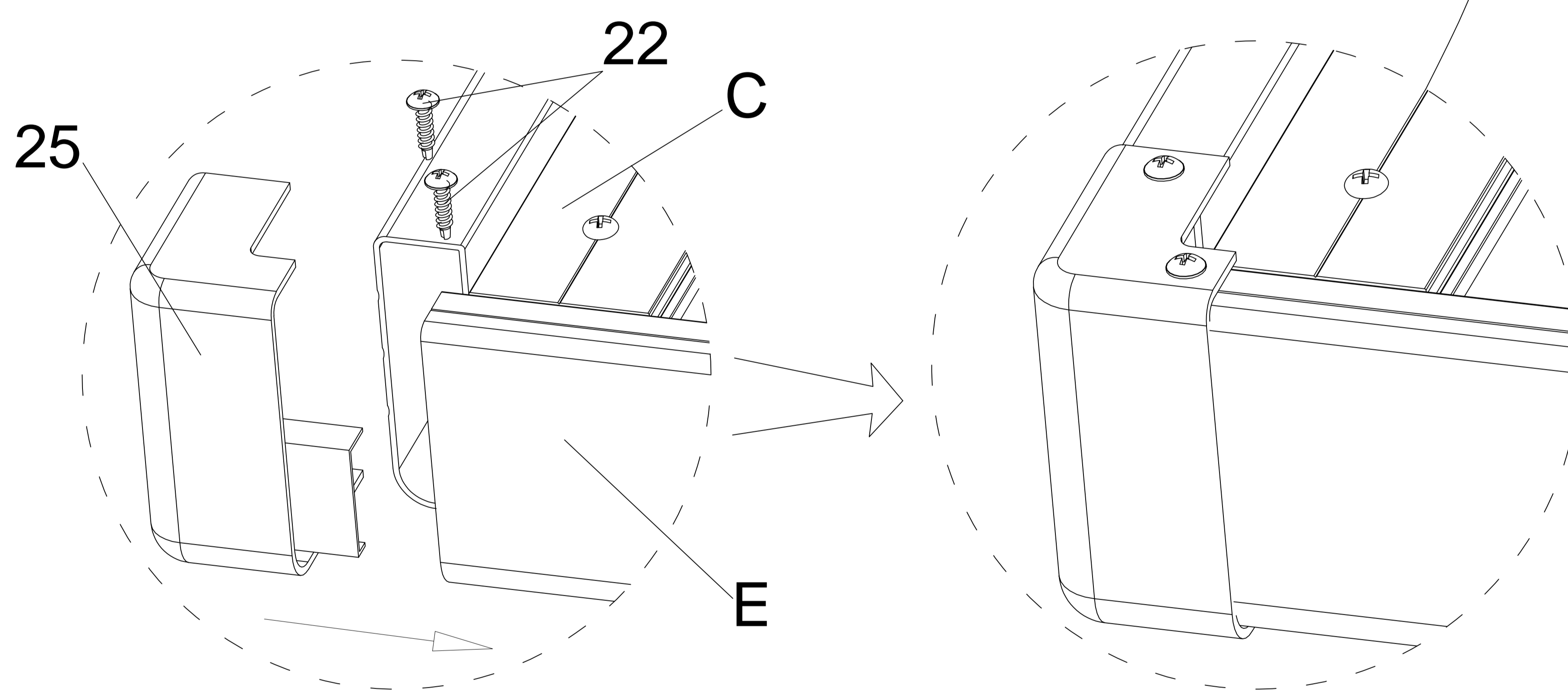
8.2、 Screw the gutter cap at the corner of gutter and side frame



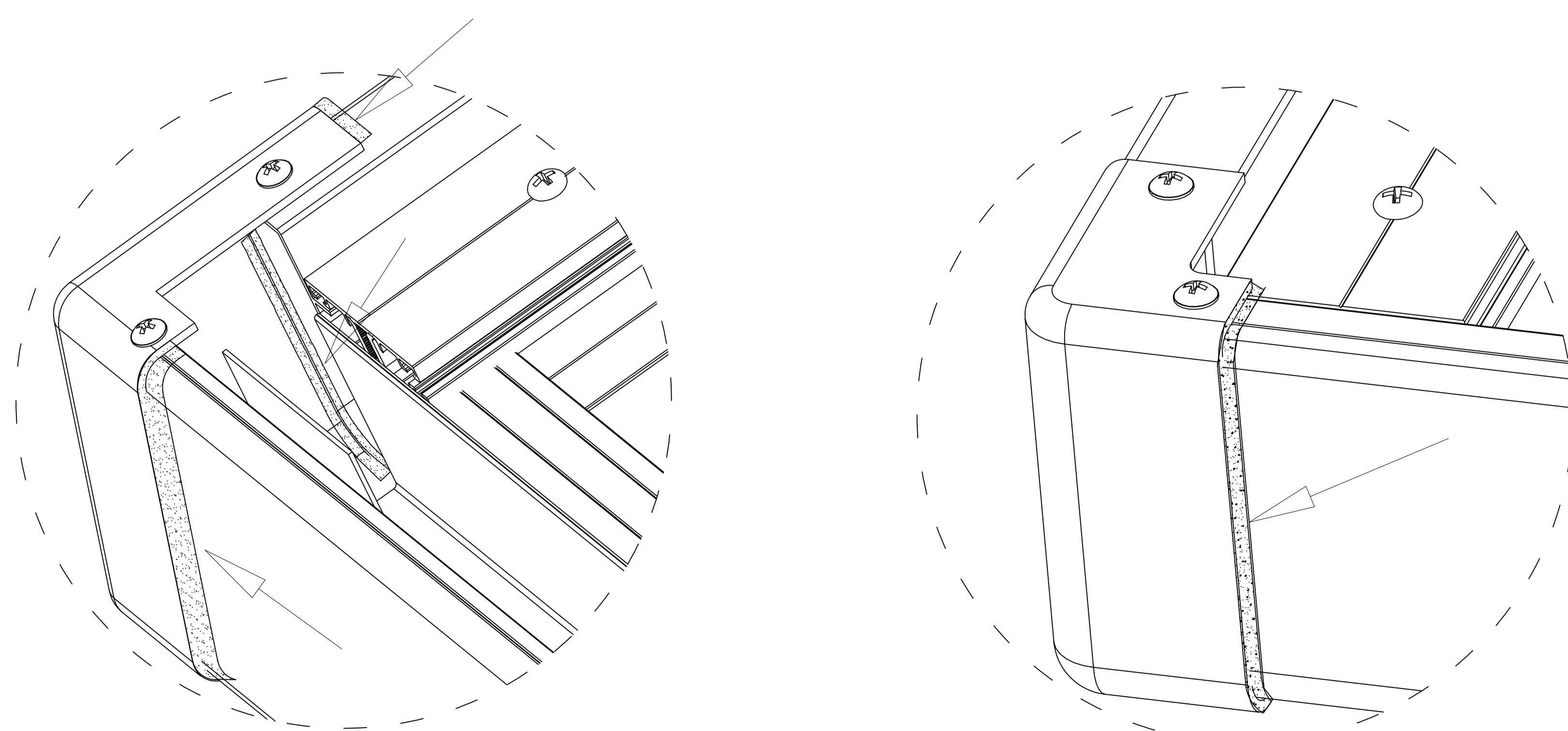
8.3、 Spread silicone sealant on the front eave caps



8.4、 Insert the cap into the corner and screw it



8.5、 Spread silicone sealant on the gaps again .

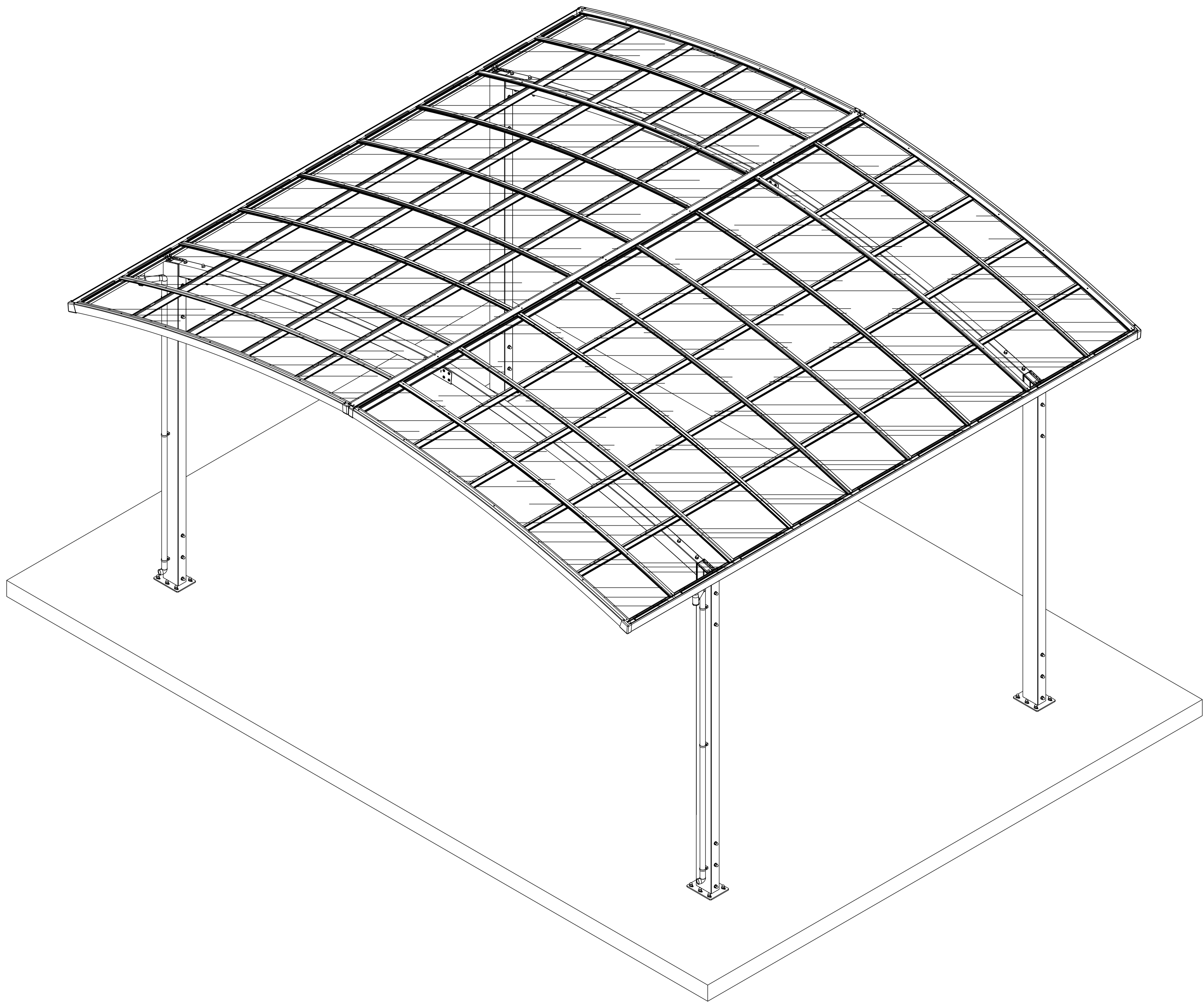


⚠ Tip:  
The silicone sealant part is essential

complete

# Model A6R carport canopy

## FIX ON THE FLOOR



alternative accessories  
when fix on the floor

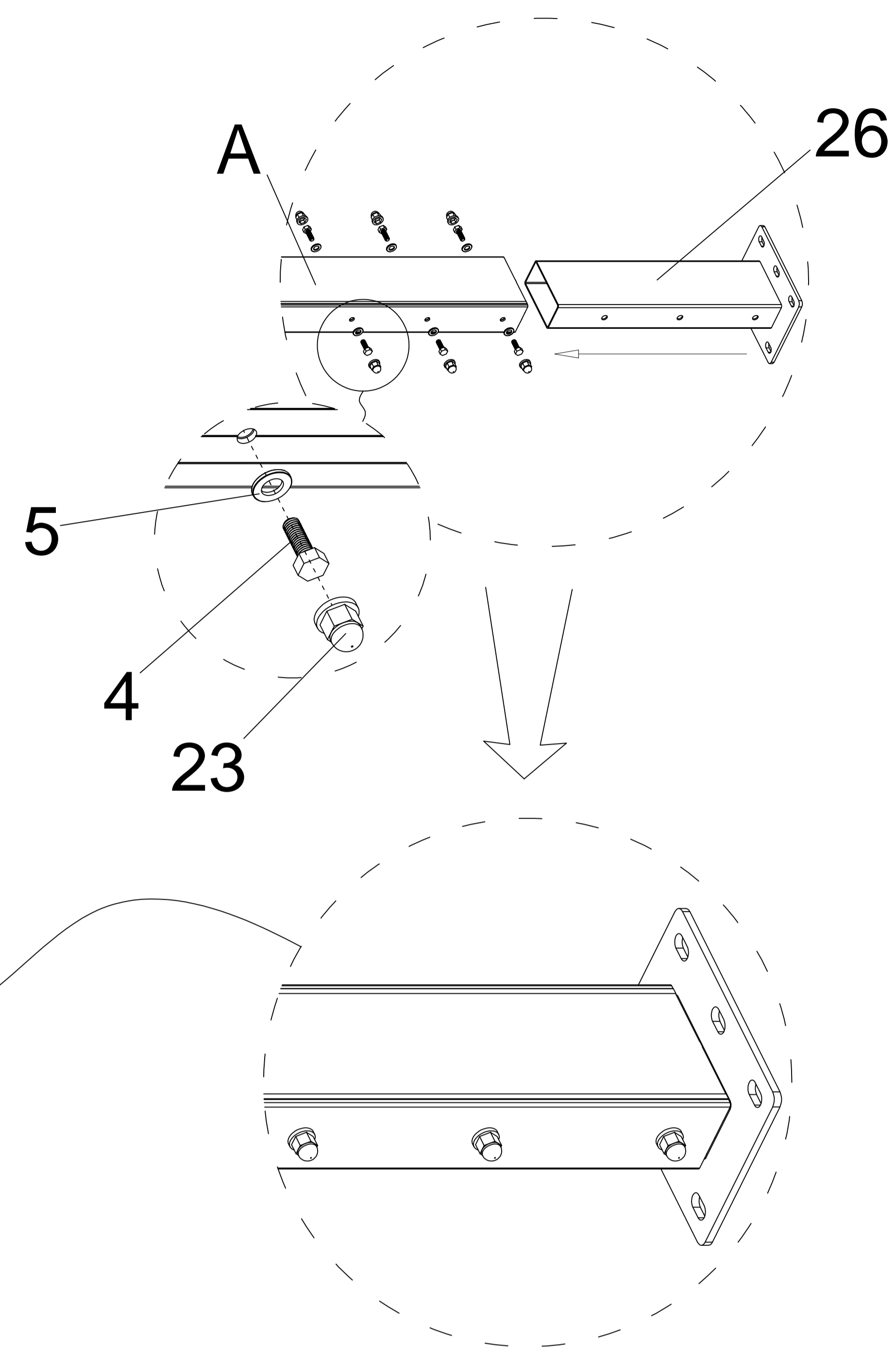
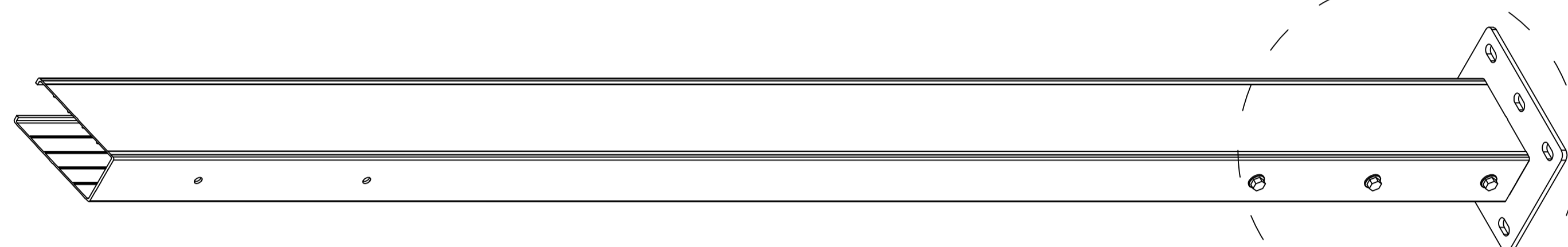
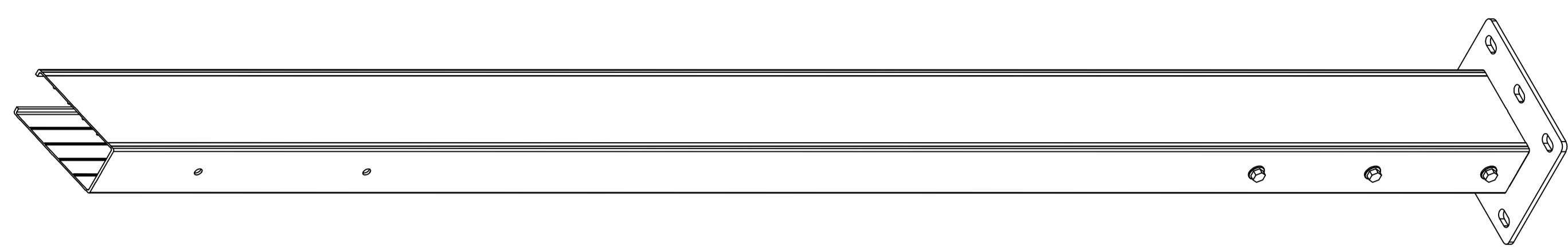
code	name	photo
26	600mm height hot galvanized foot plate	
27	SUS hex expansion bolt (M10*100)	

unnecessary accessories list

code	name	photo
1	M10X250 galvanized screw pole	
2	M10 nuts	

### Step 1: Assemble the foot plate with post

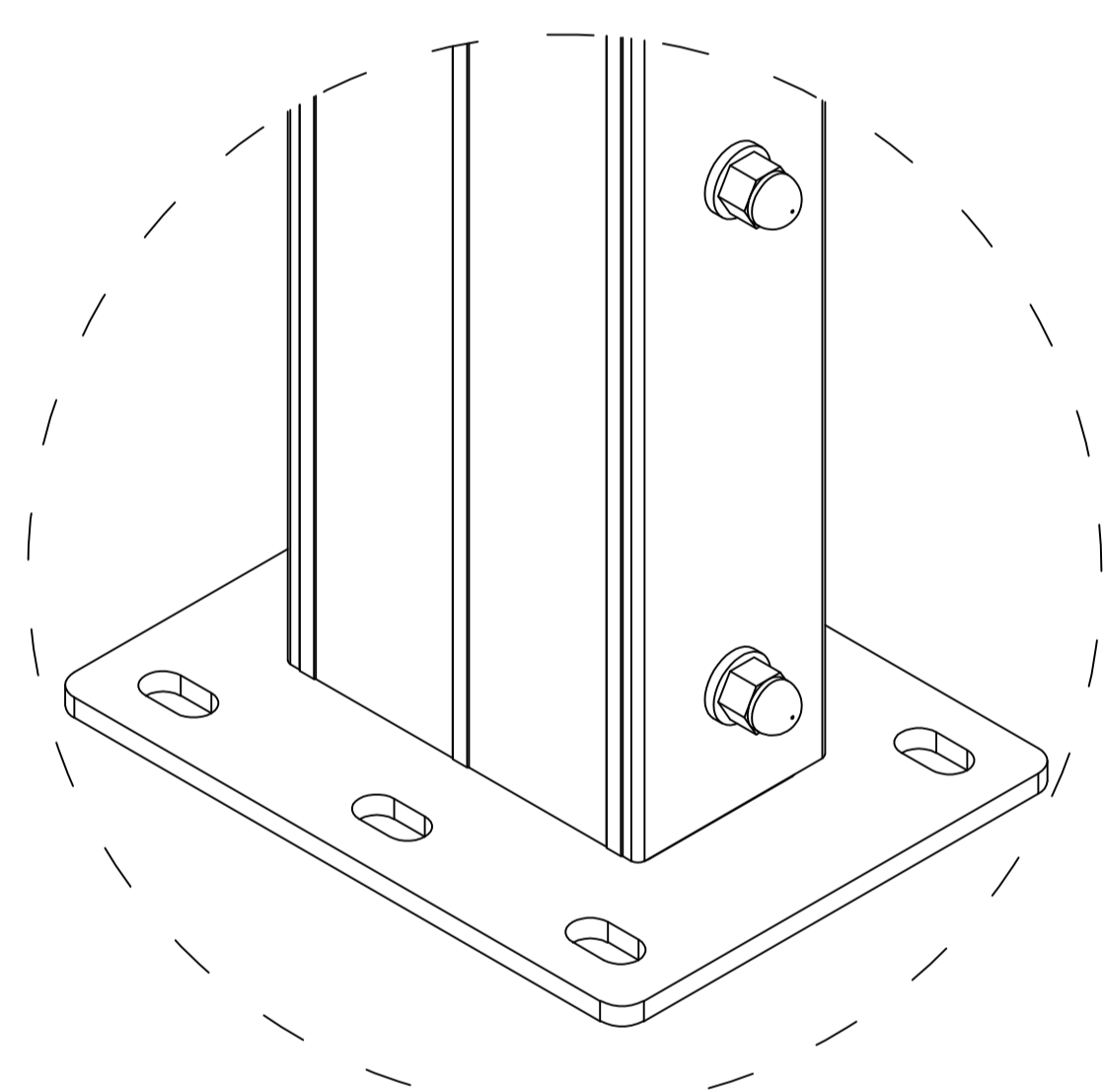
1.1、 Insert the foot plate into the post ,align the screw holes and fasten it .



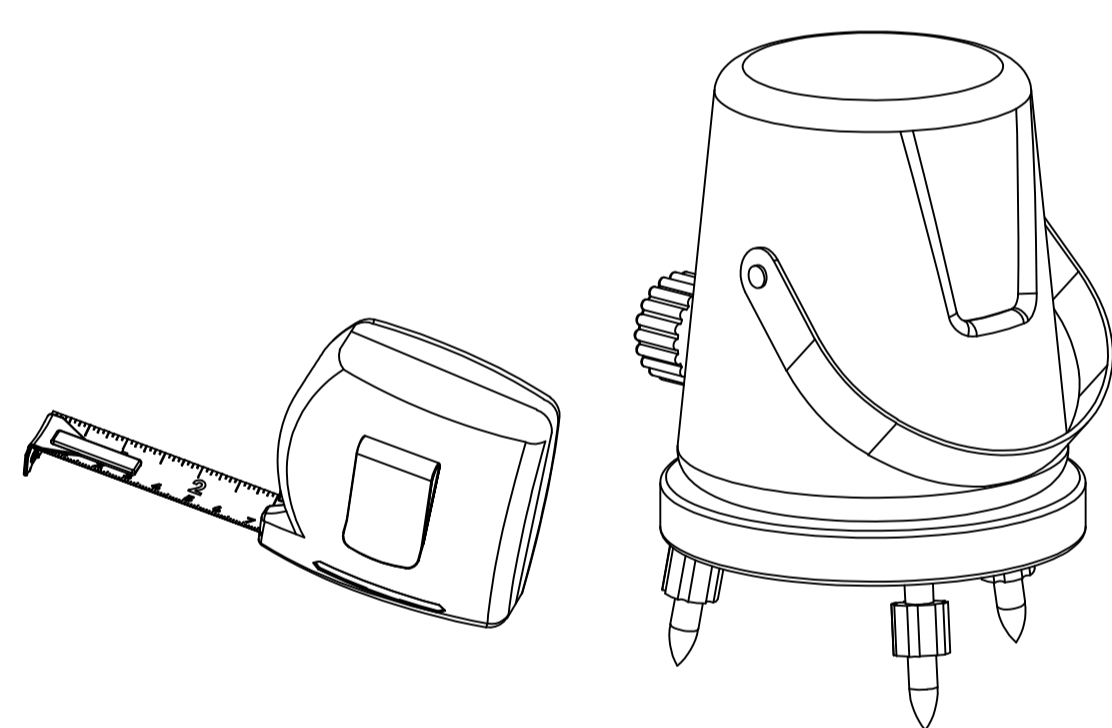
1.2、 Assemble the main beam with post as previous step (A6combine two sets of single carport to one complete arch cartport (pre-embedded) -Step 2: from 2.2 to 2.6)

### Step 2: Assemble the post and main beam

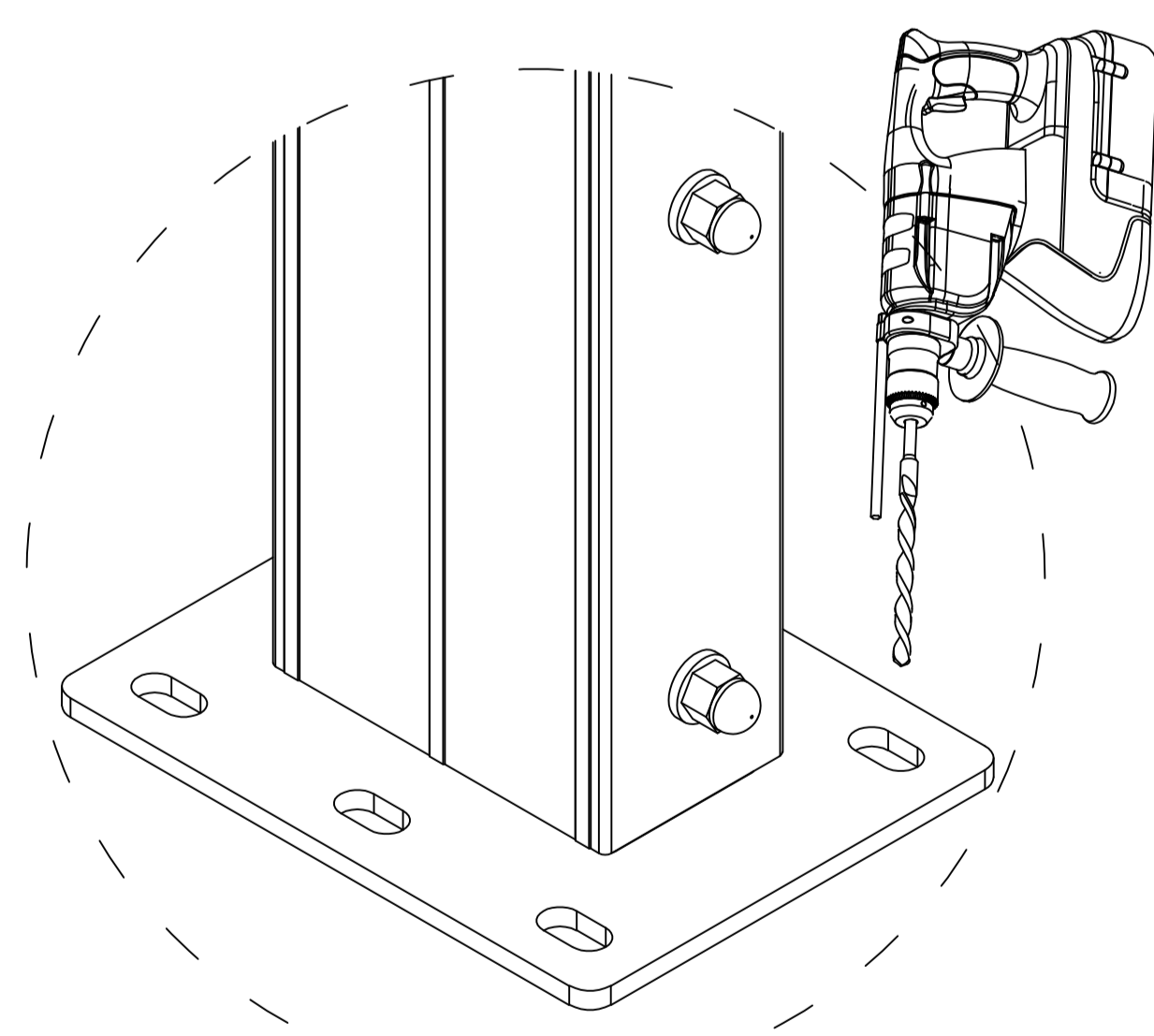
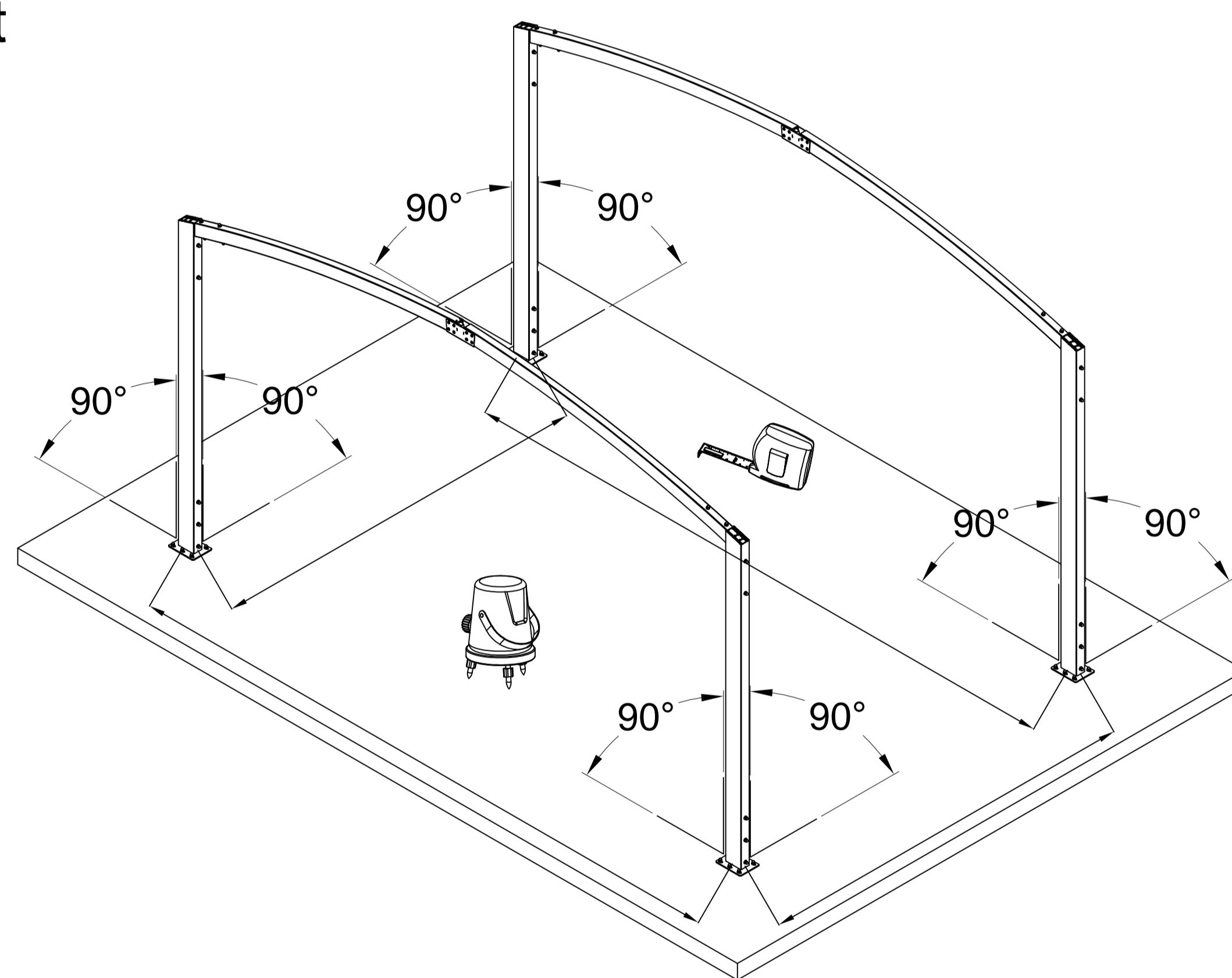
2.1、 Stand the assembled post and beam up on the floor ,adjust the post level , vertical level and center distance of pits



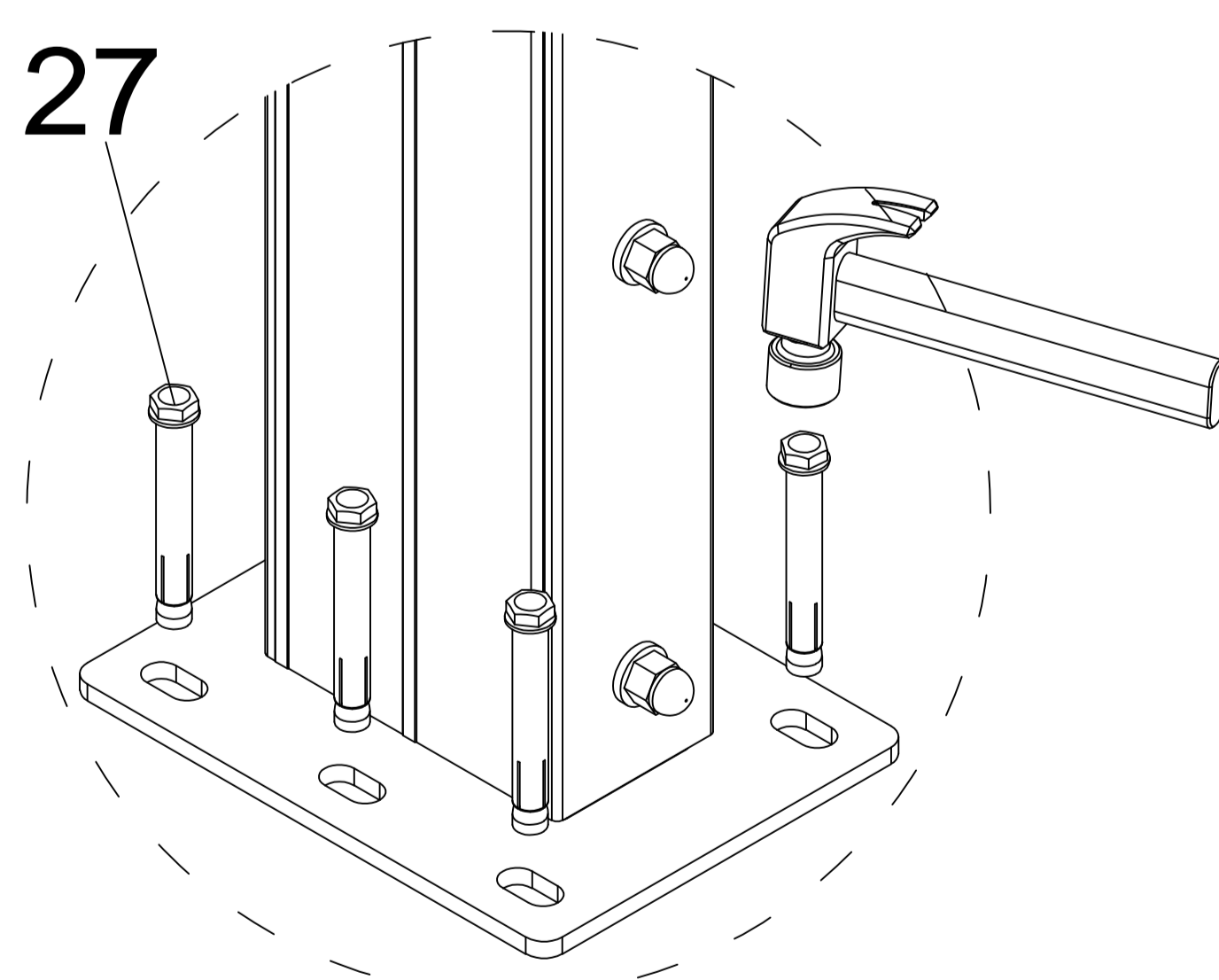
2.1.1、 stand the posts up



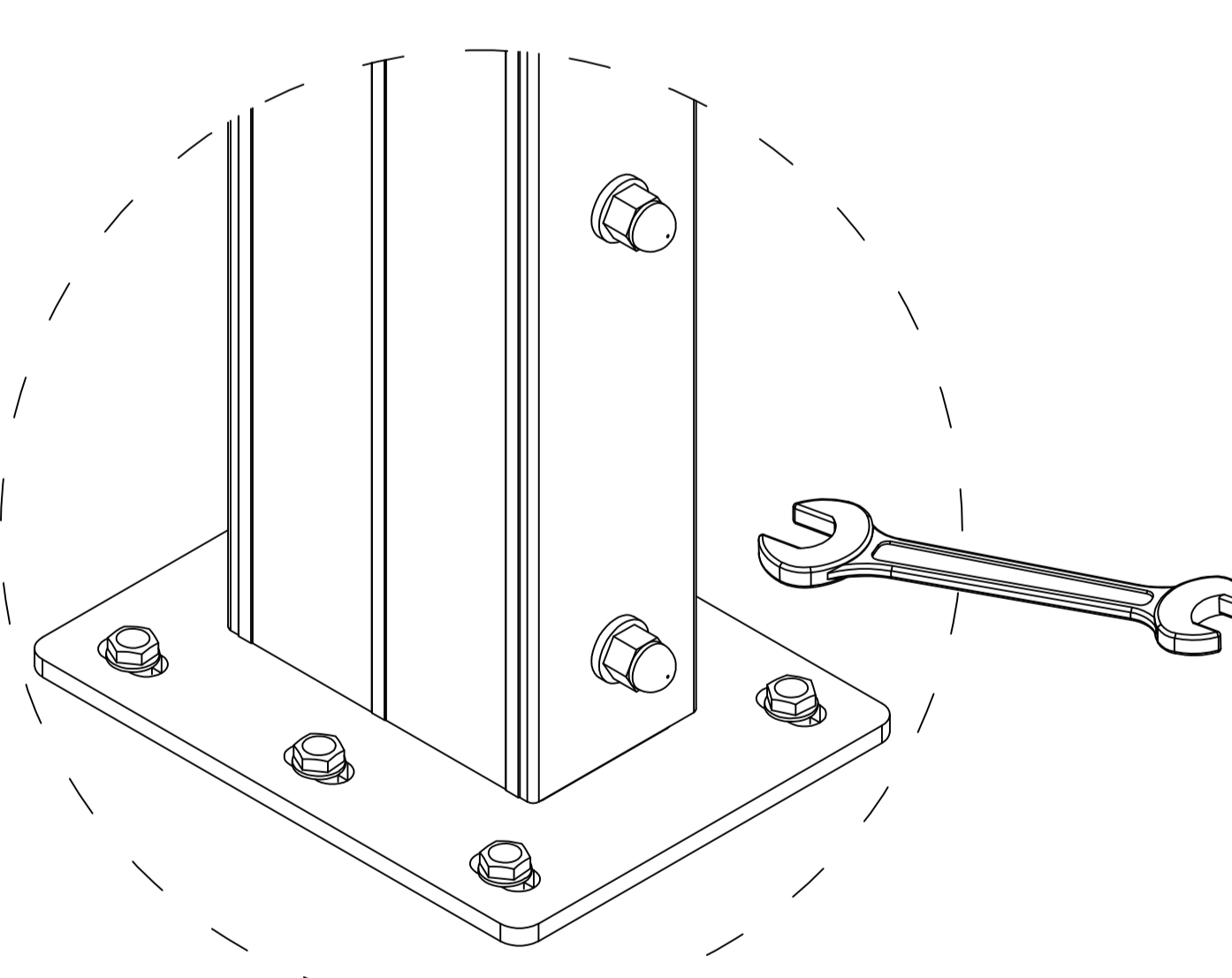
2.1.2、 adjust position



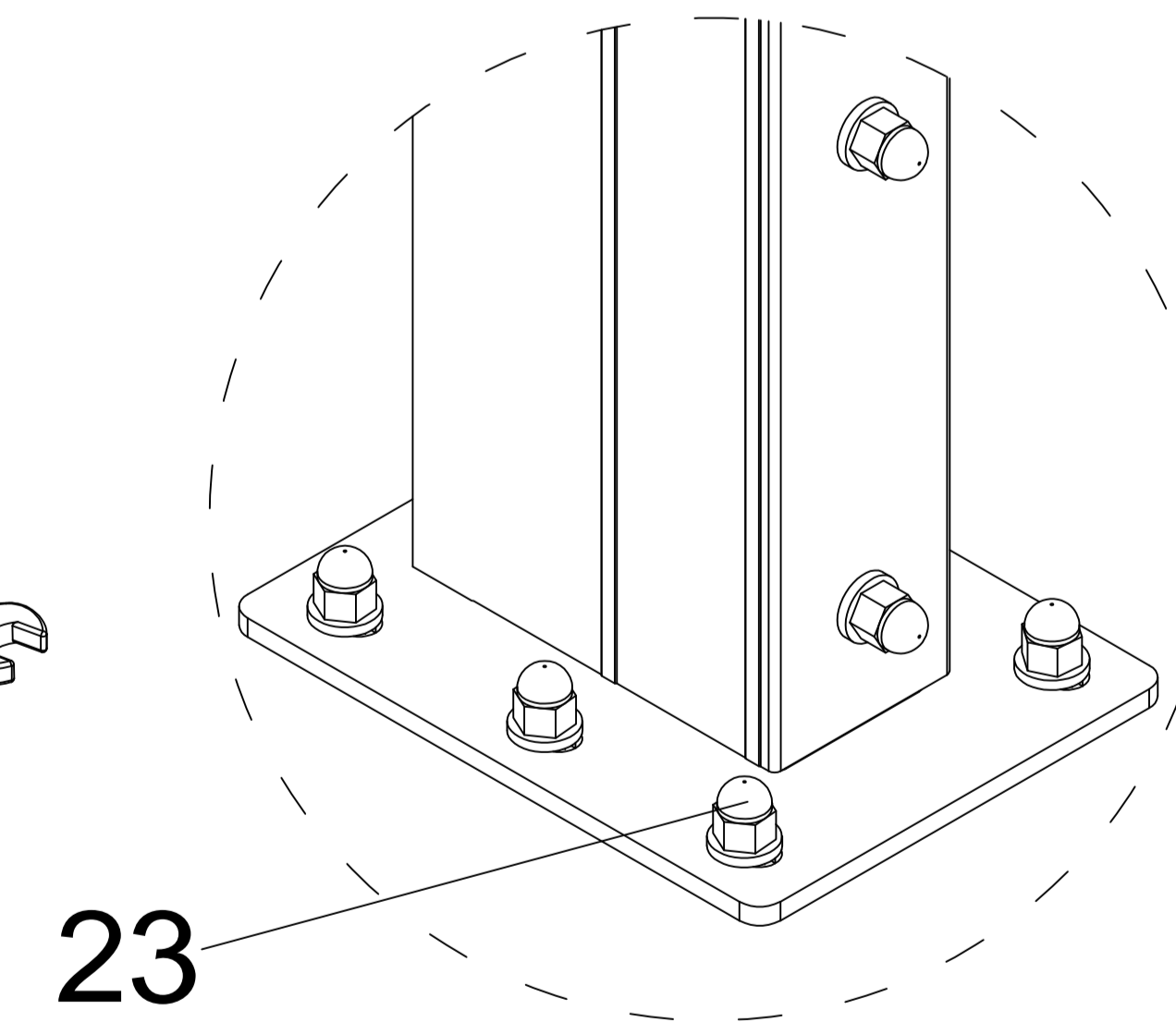
2.1.3、 drill a hole diameter Ø12mm,depth above100mm。



2.1.4、 Stuff the expansion bolts



2.1.5、 fasten the foot plate



2.1.6、 cap

Go ahead the remain steps as previous

complete



# Letter of thanks

Dear customer

I would like to take the opportunity to thank you for your patronage and purchasing our products .I assure you have purchased the perfect carport for you.Our team hopes you love our carport and provide a good place for your love vechiel .We are a customer-centric company . You are always welcomed to give us feedback ,suggestion and request .Your feedback and comments are very important for us because they help us improve our service.We will be delighted to know what you think about our products. Please feel free to leave reviews on our website or call us directly .

Thanks again and we are pleasure to serve you , if there is anything is not clear to you ,please contact us .

Gratefully

**LIVING CULTURE**