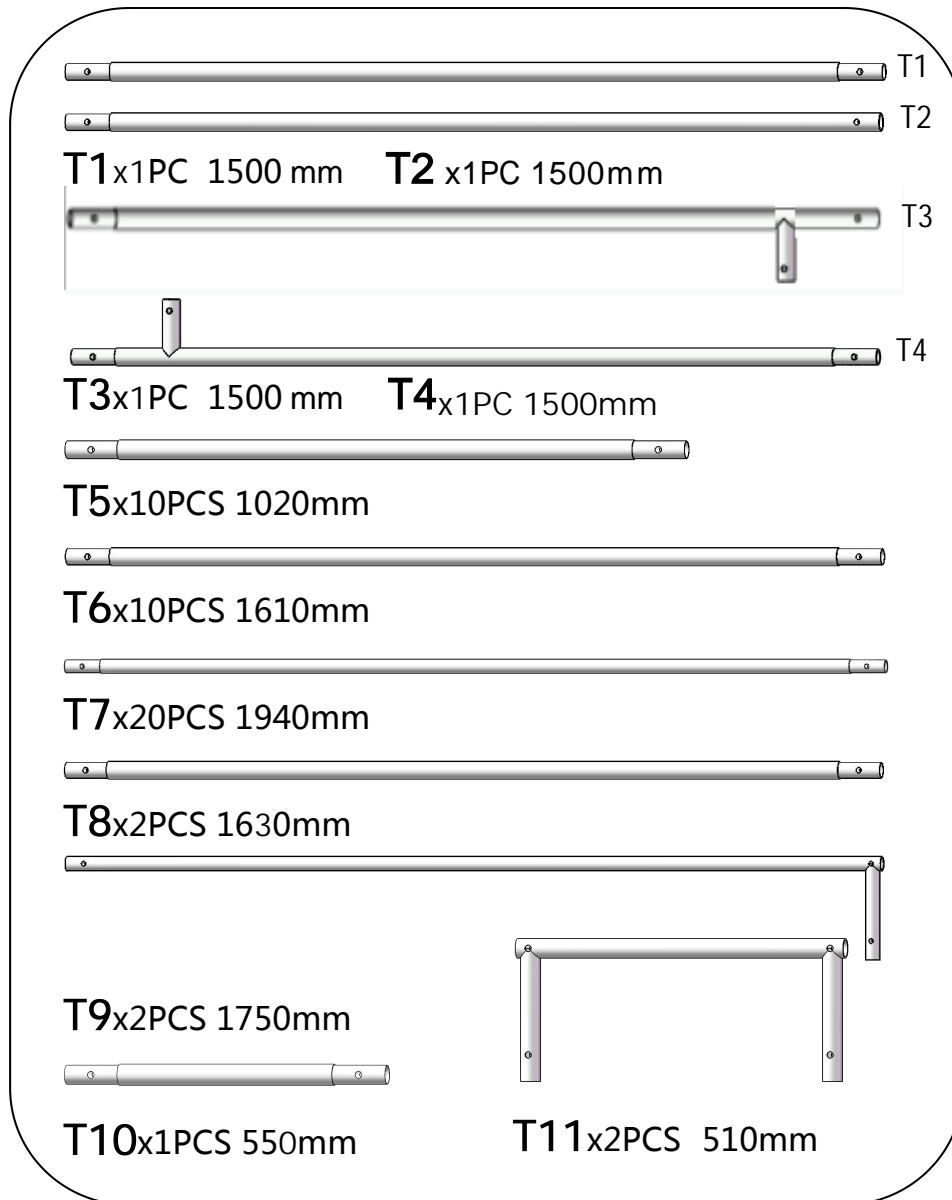
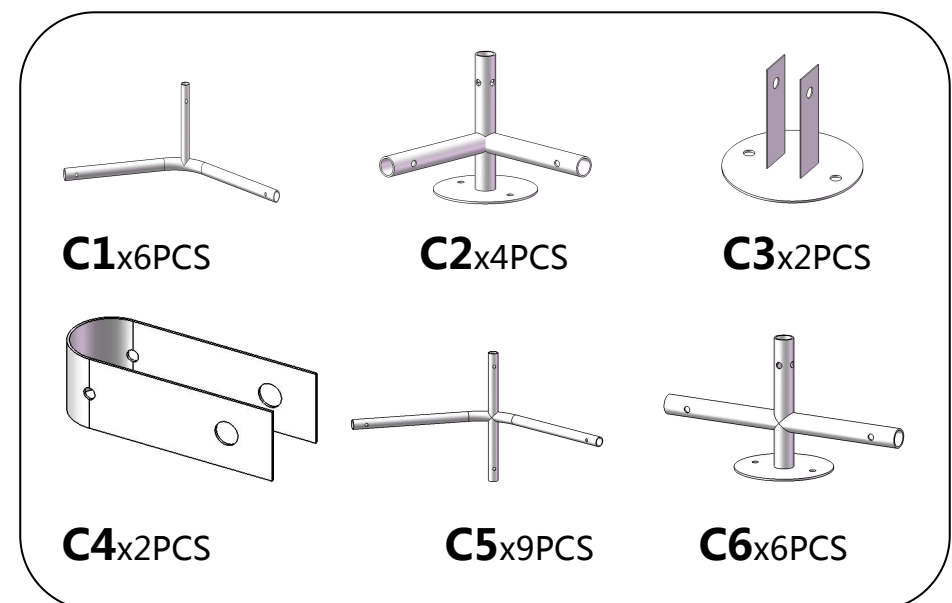


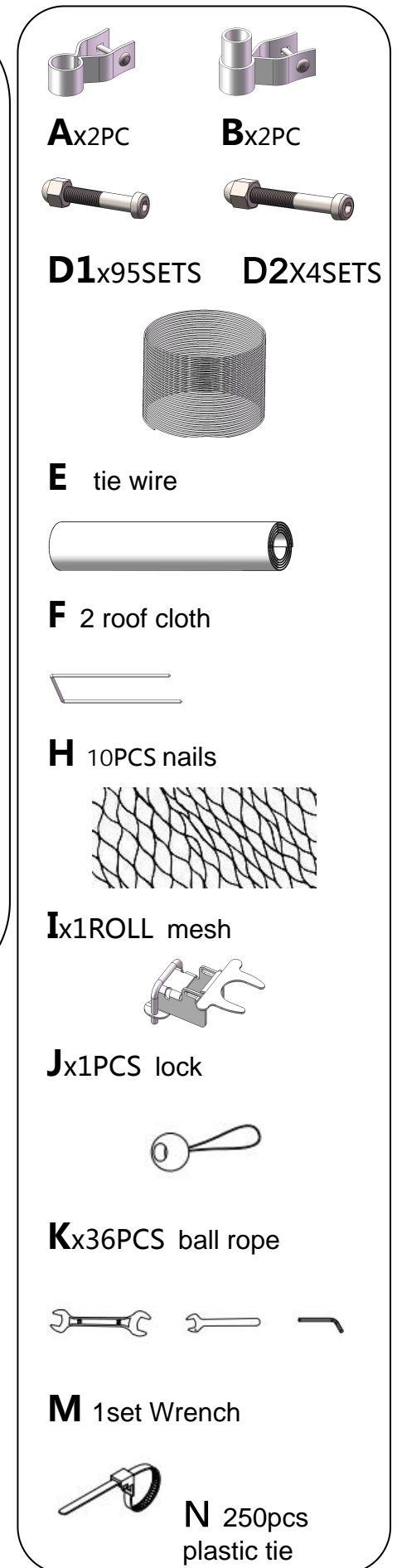
## PART LIST 1



## PART LIST 2

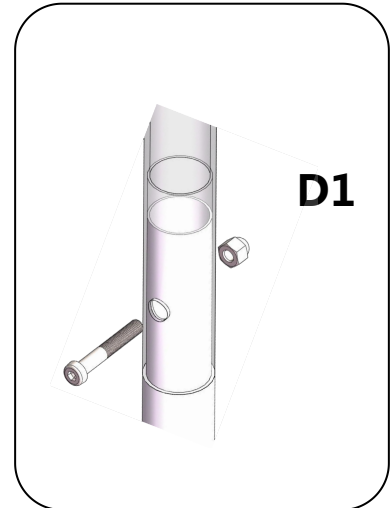
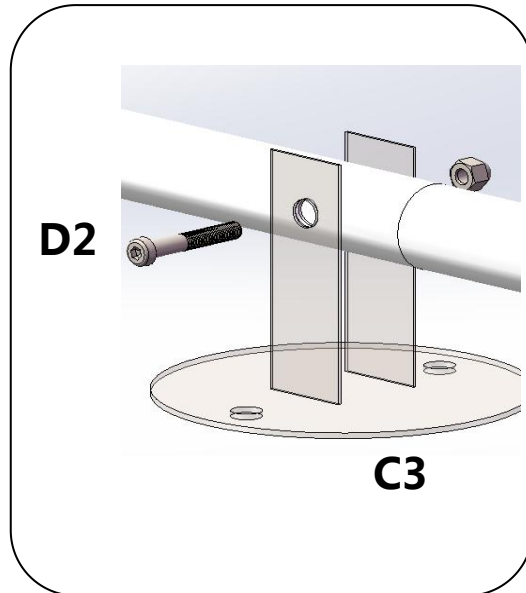
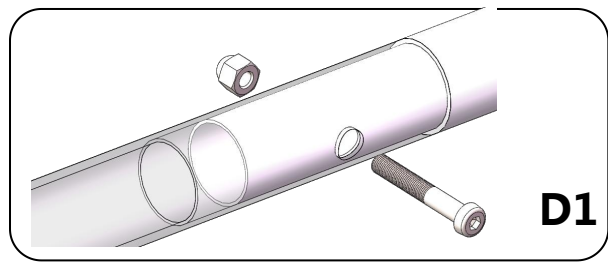
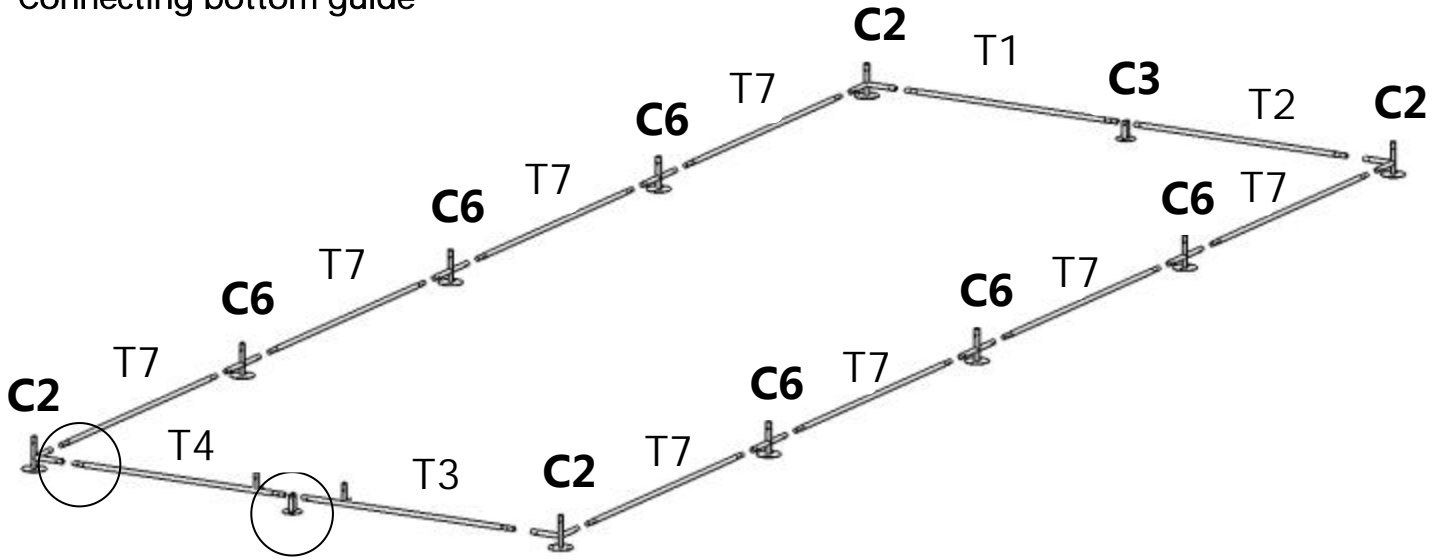


## PART LIST 3



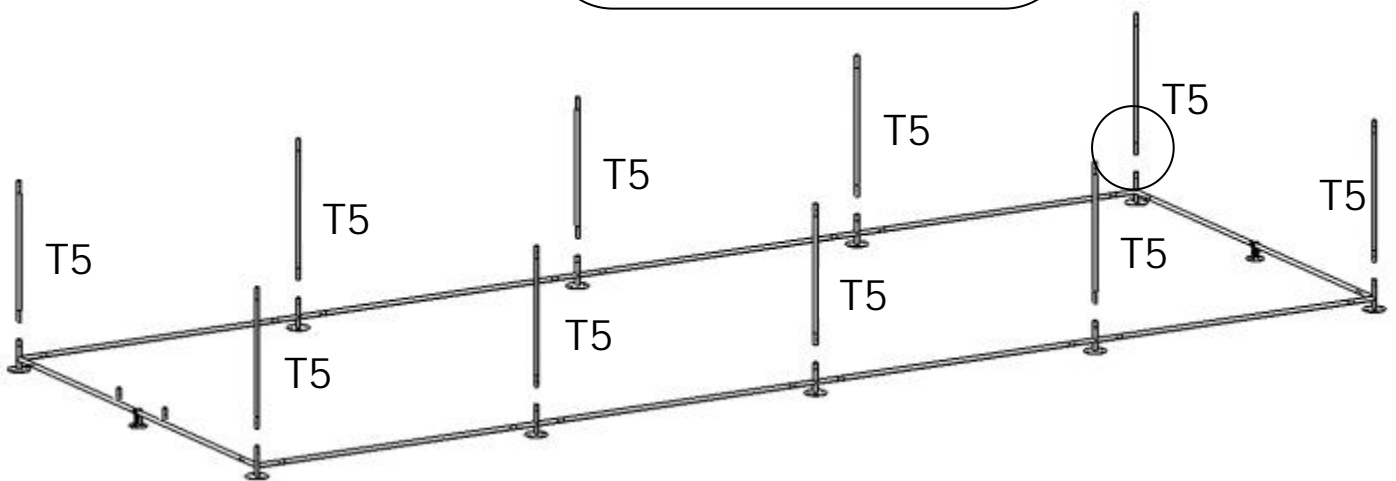
## Step 1

Connecting bottom guide



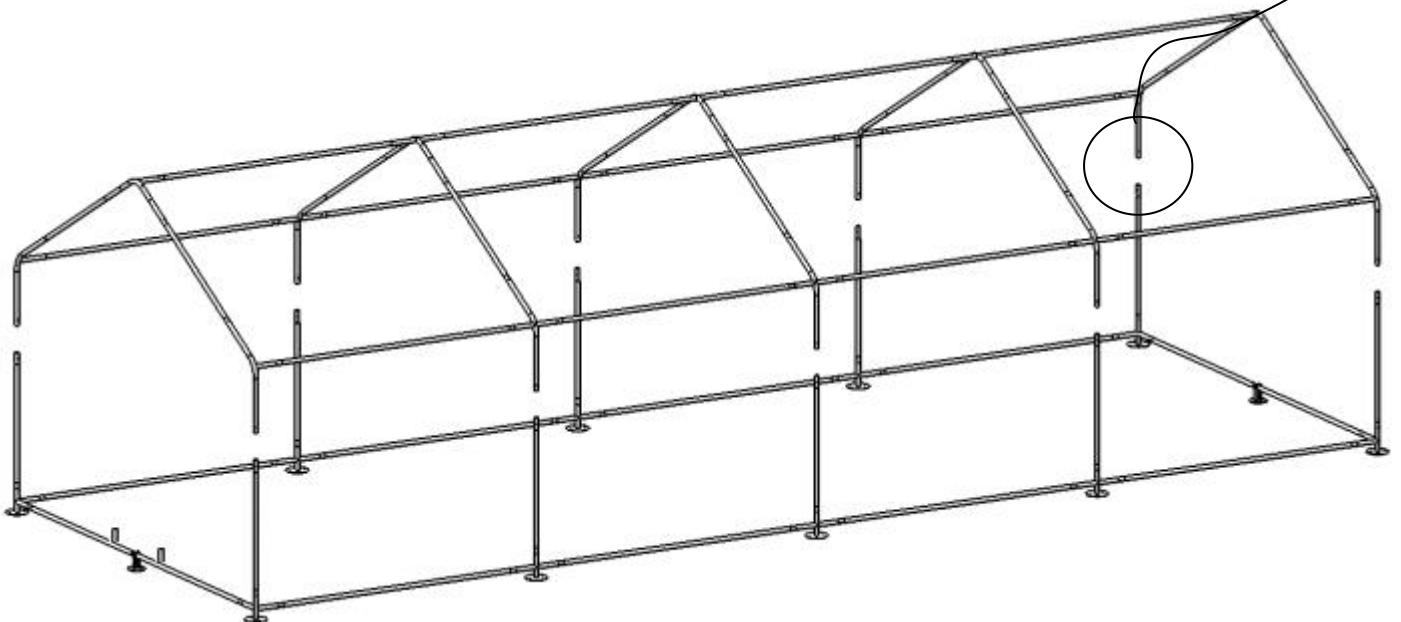
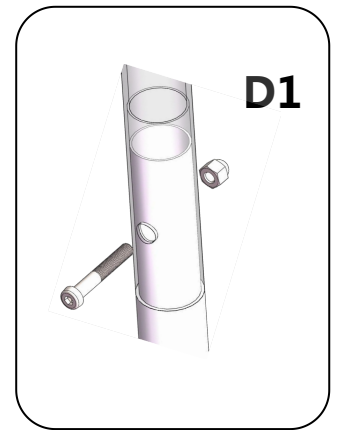
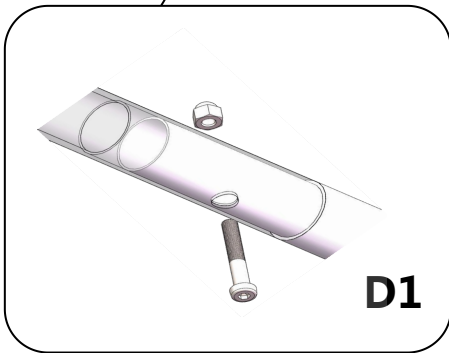
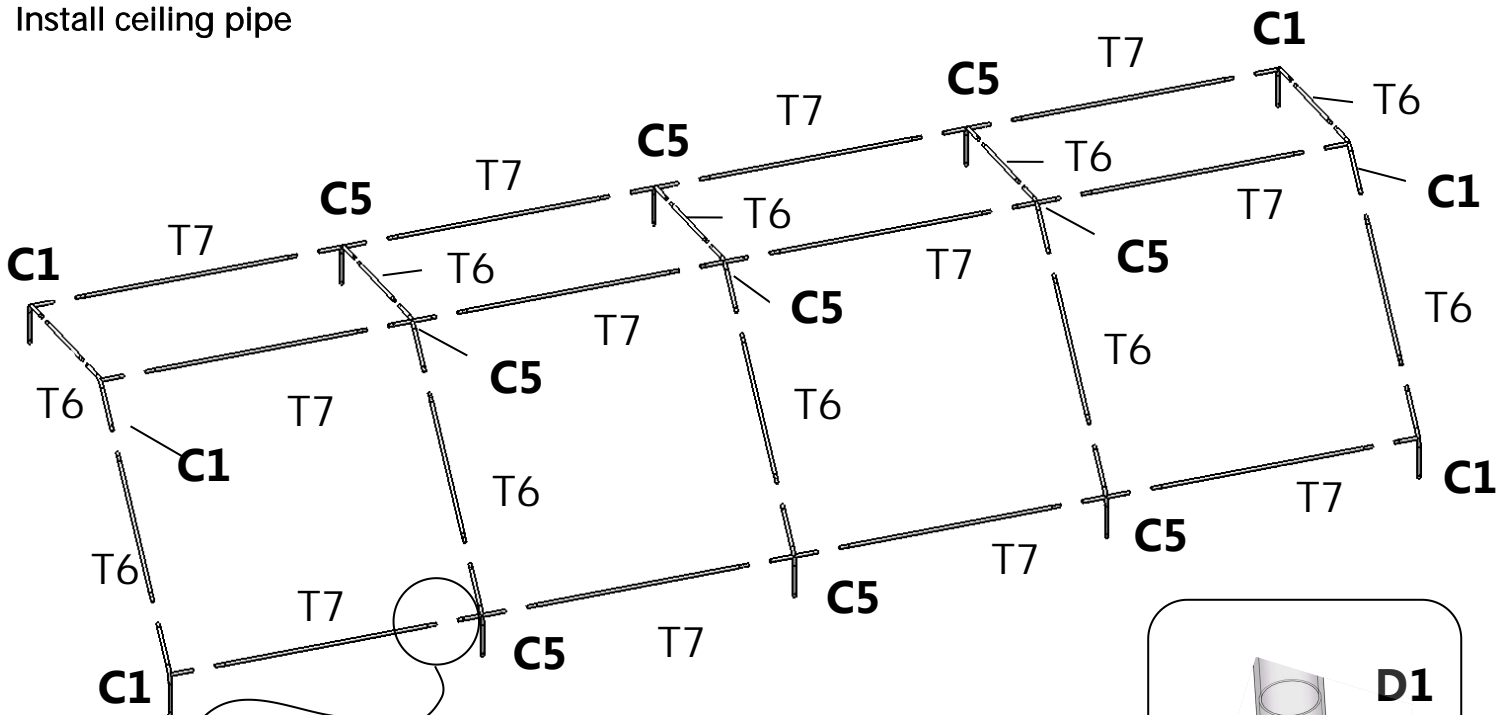
## Step 2

Connect the standpipe



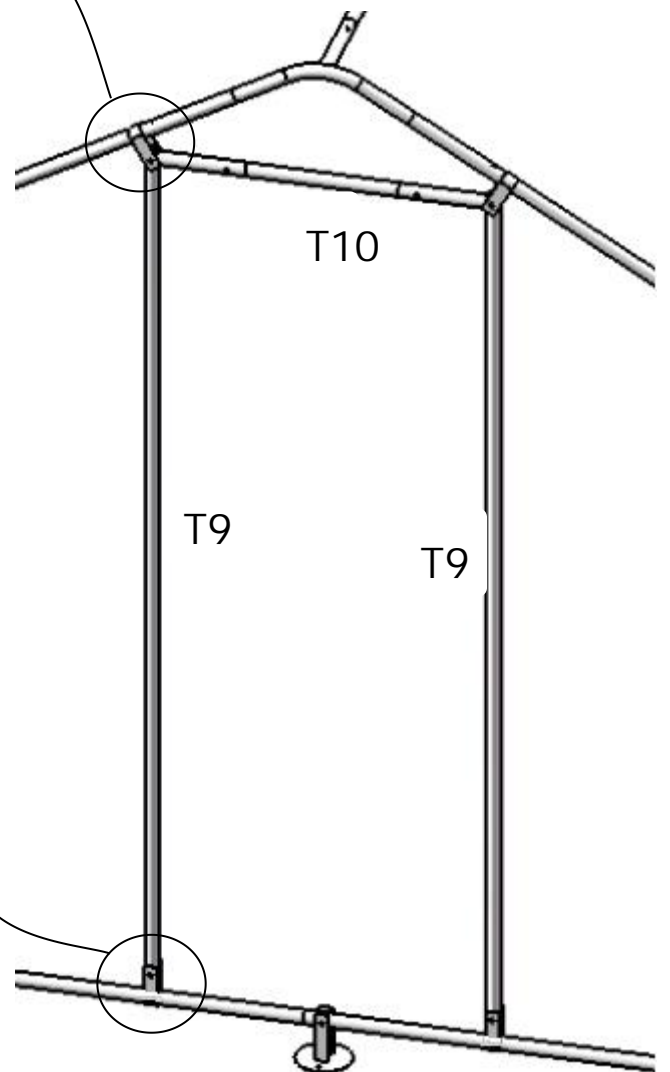
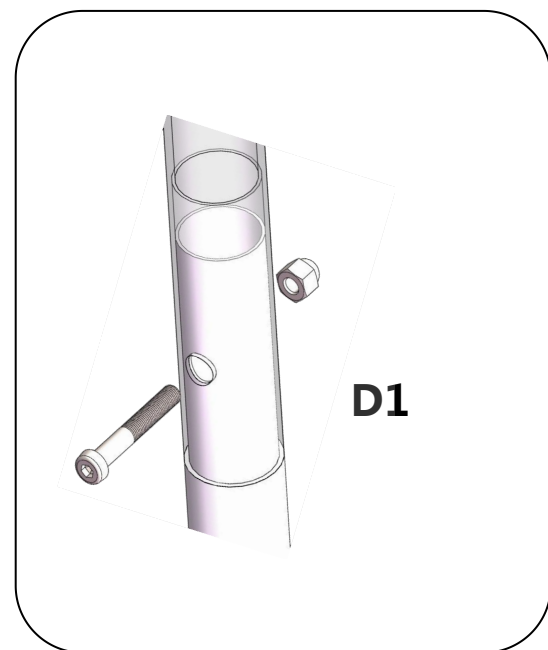
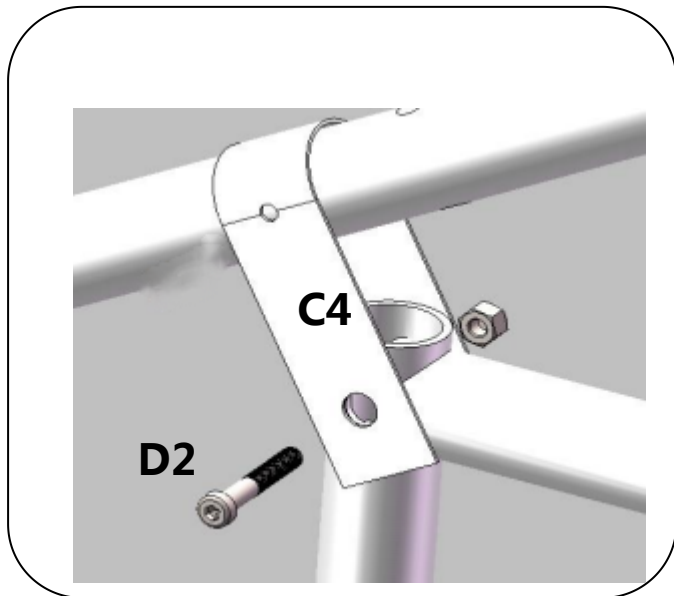
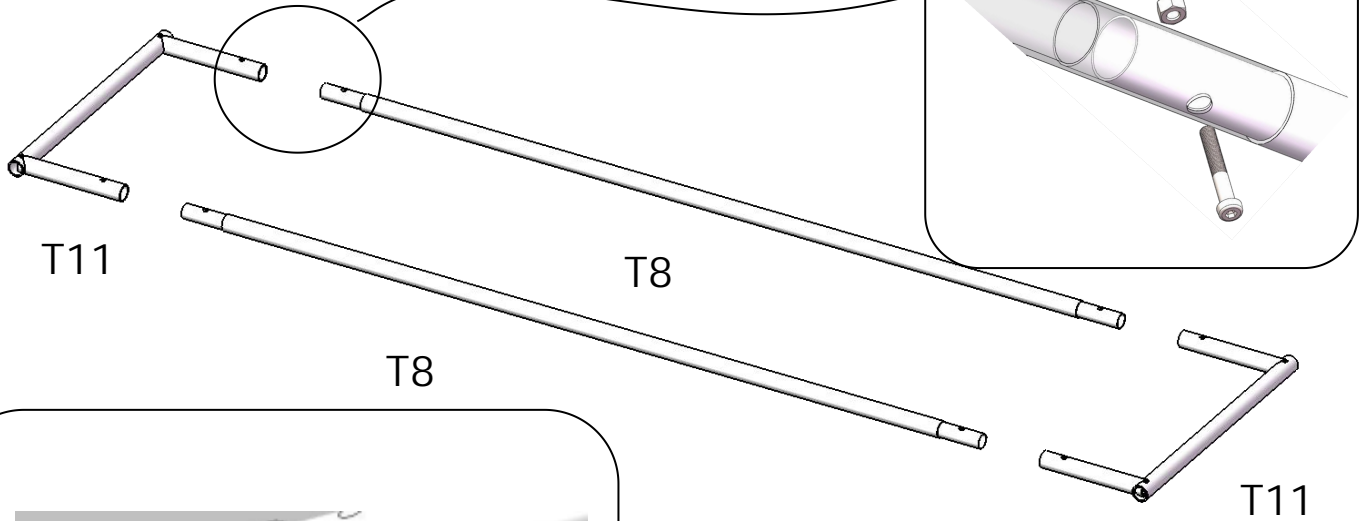
### Step 3

Install ceiling pipe

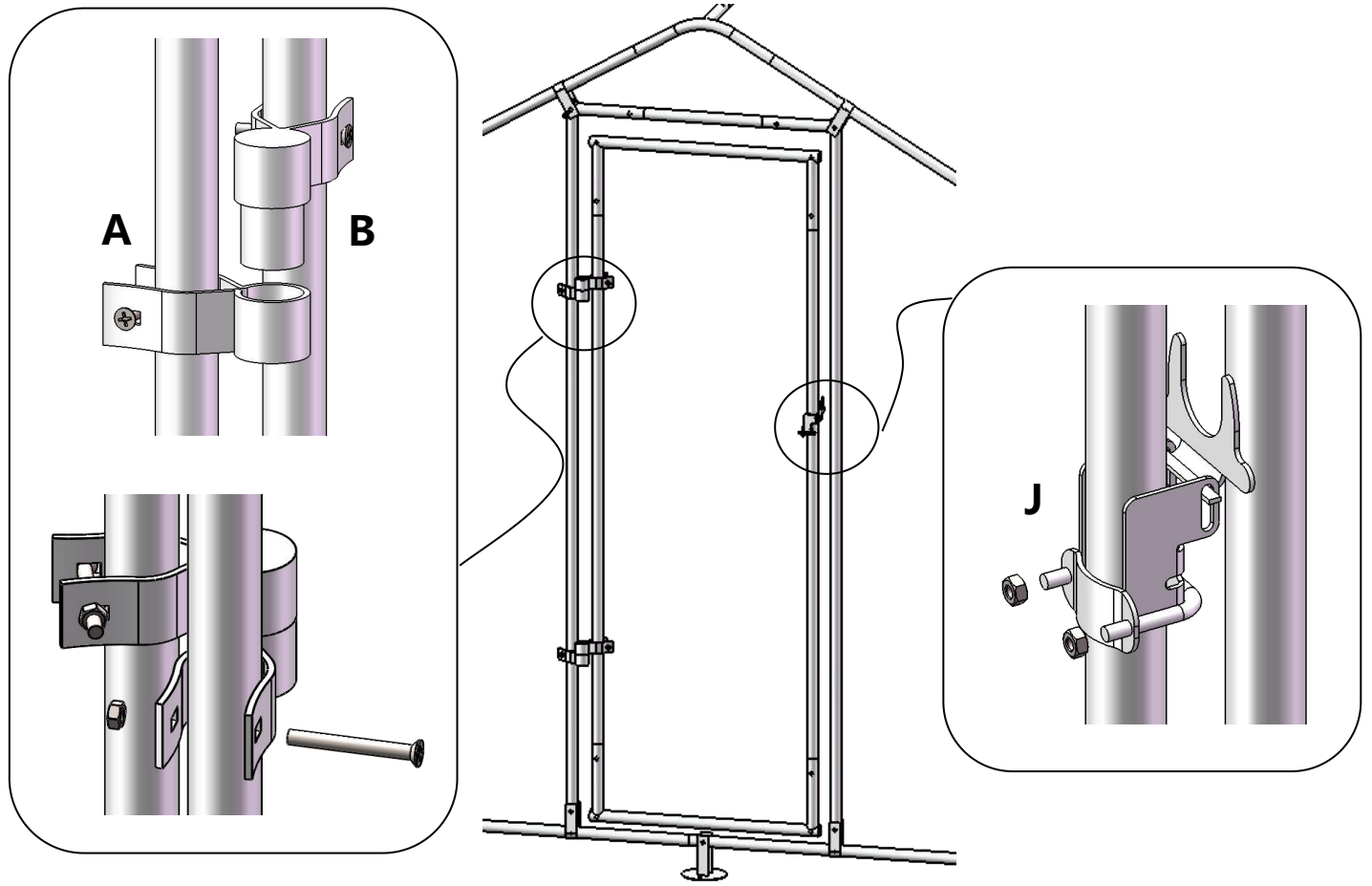


# Step 4

Connect the door

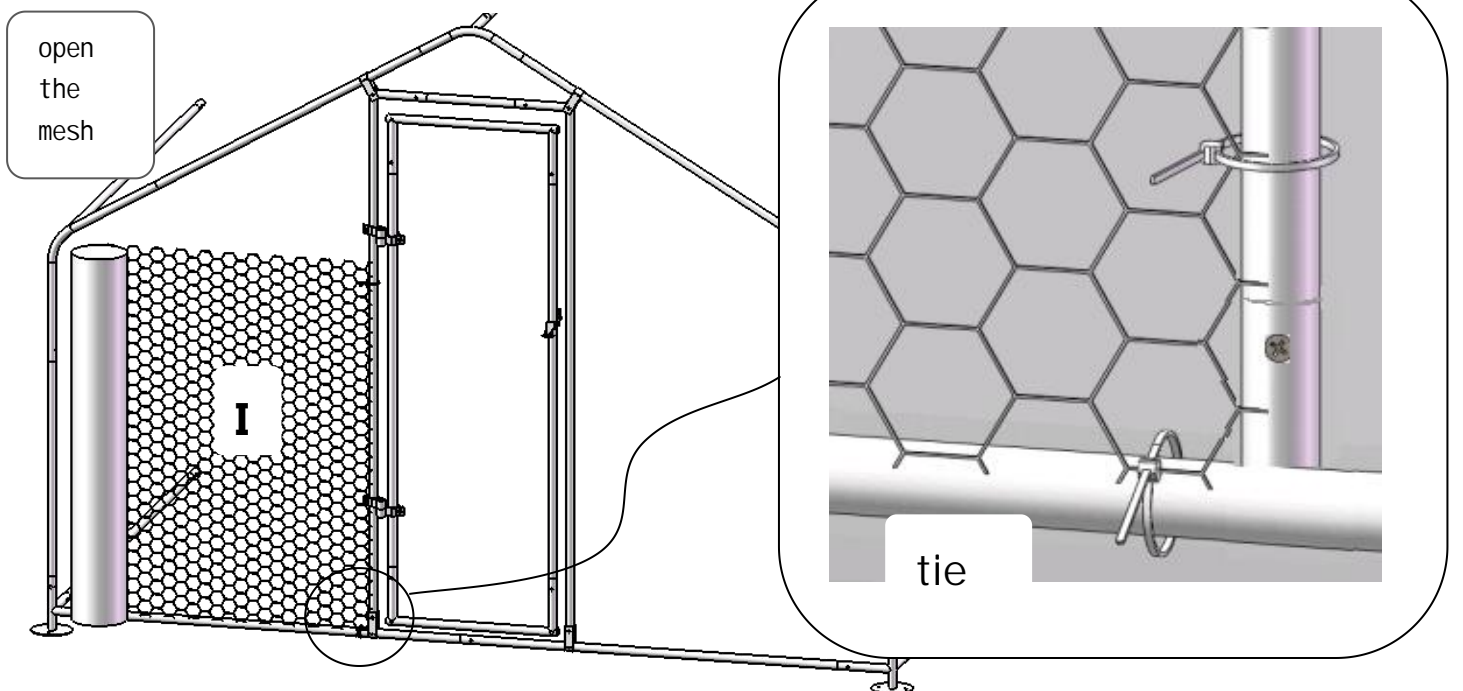


## Connect the door

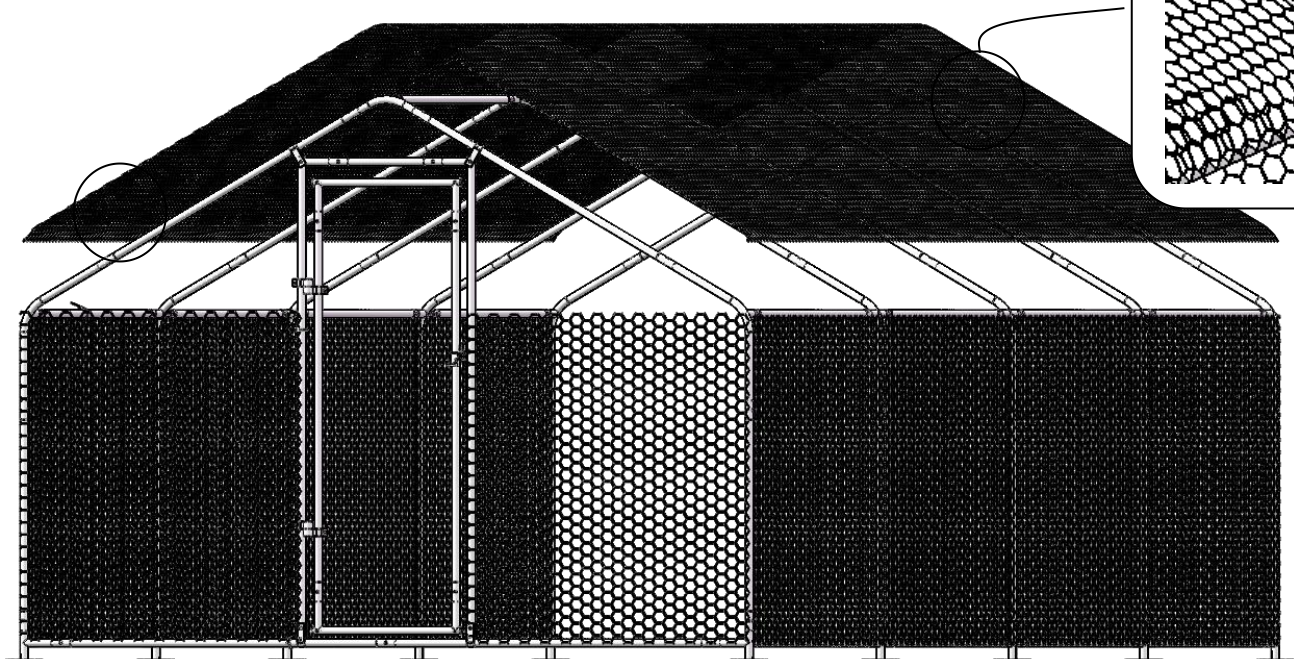
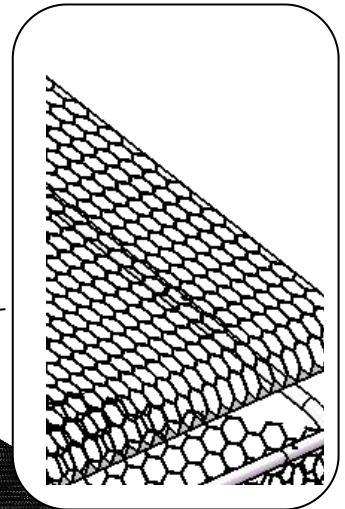
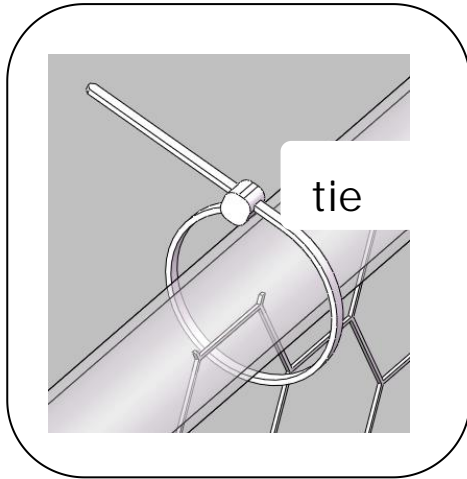
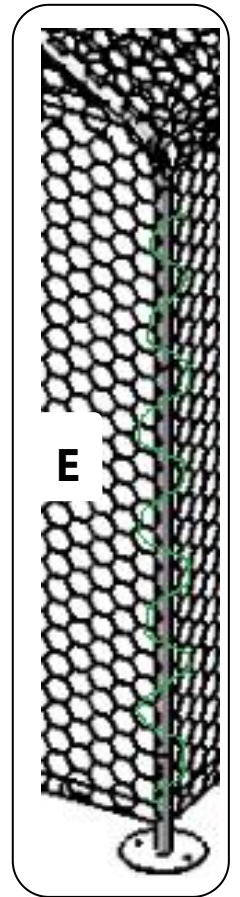
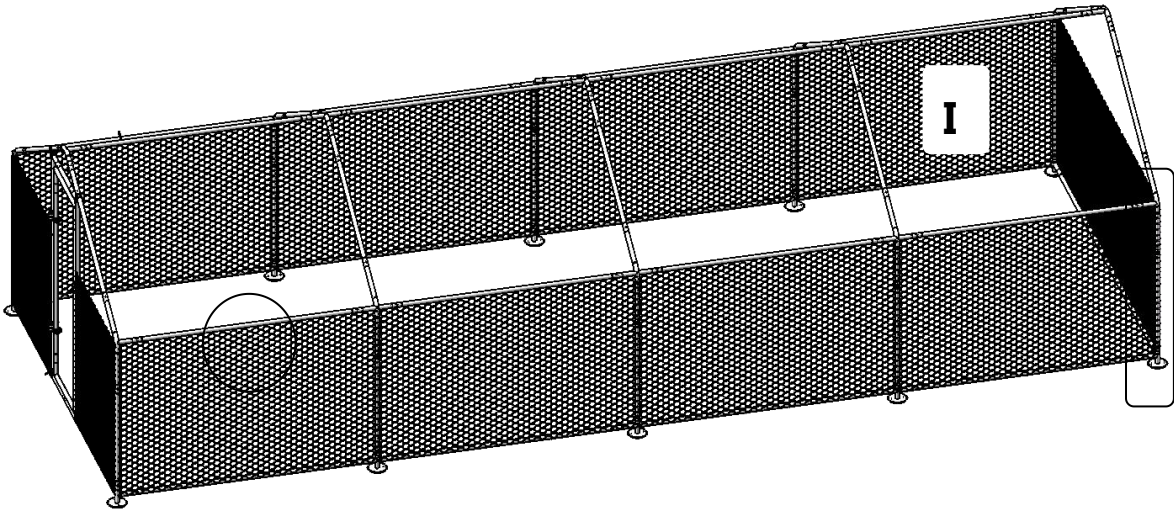


## Step 5

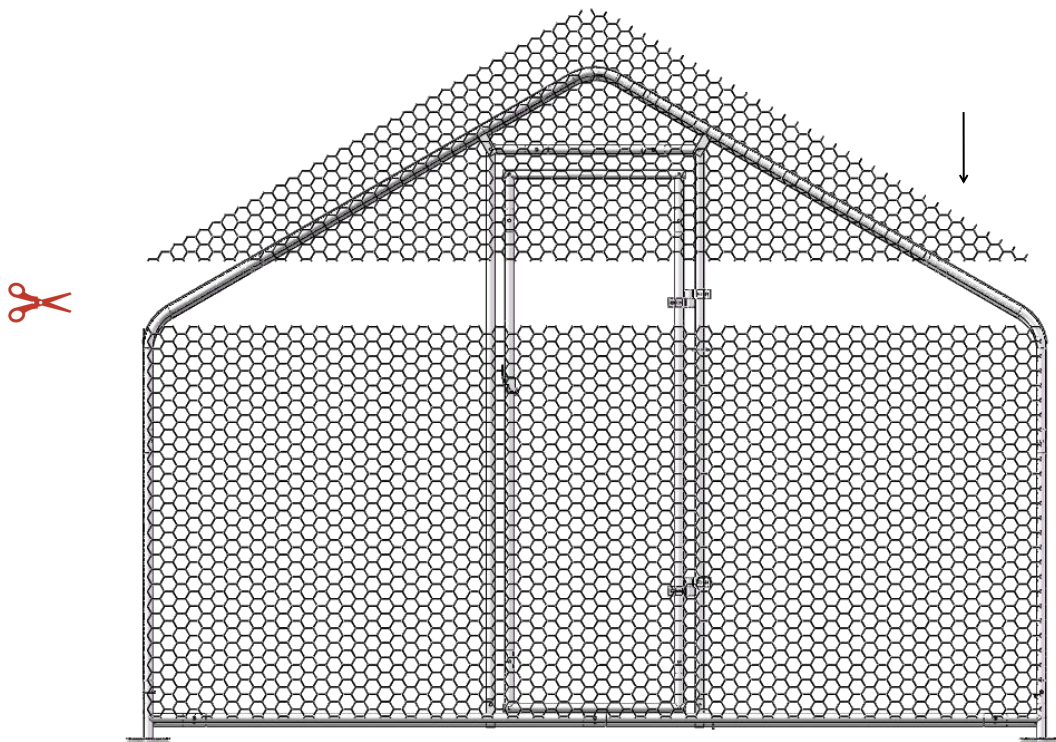
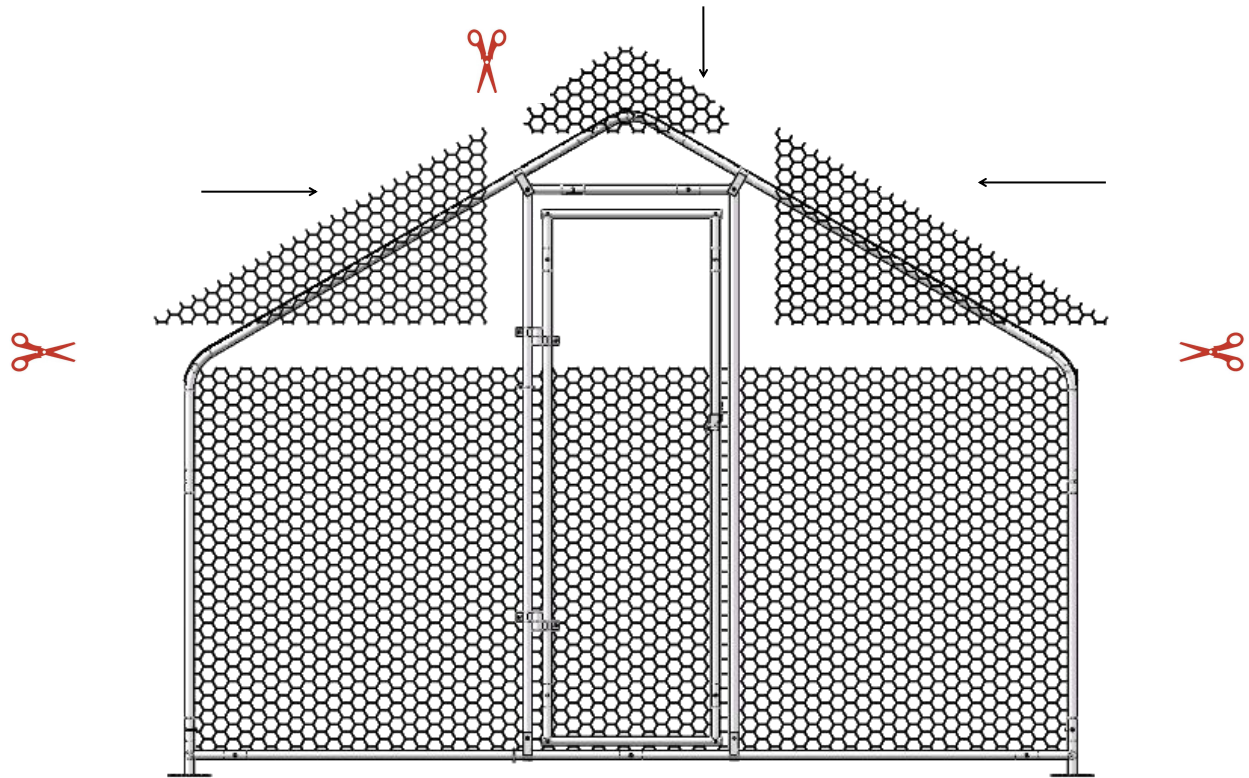
### Connect the mesh

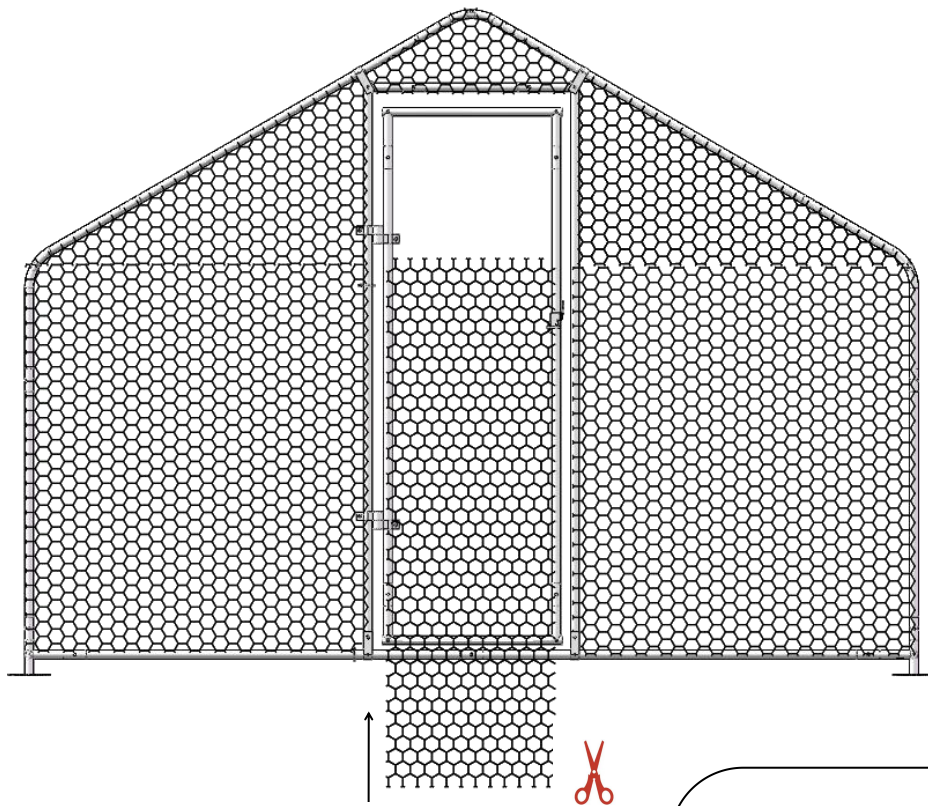


Tie mesh to the tube



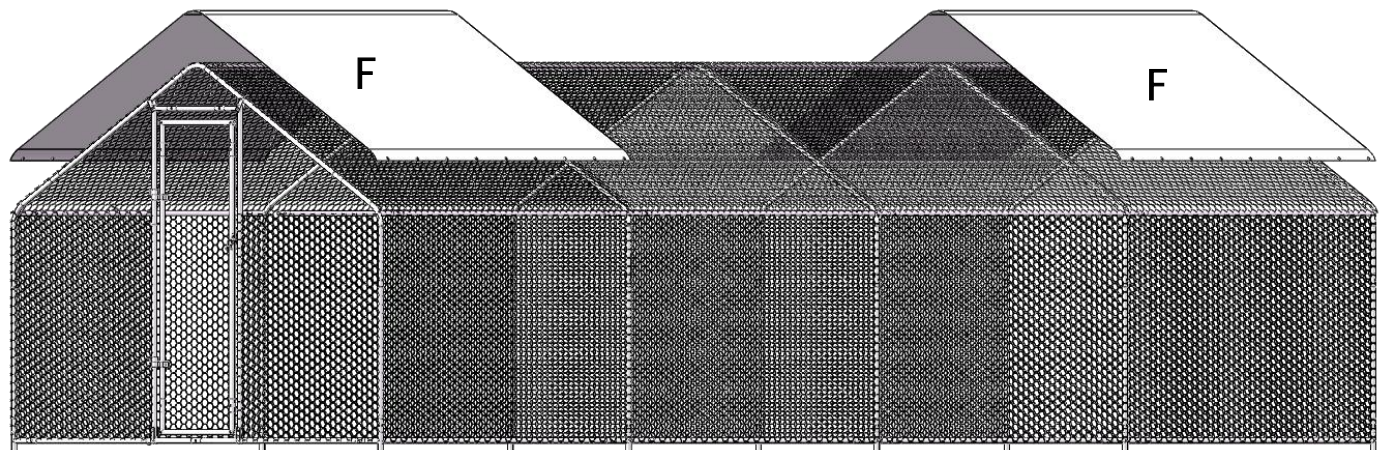
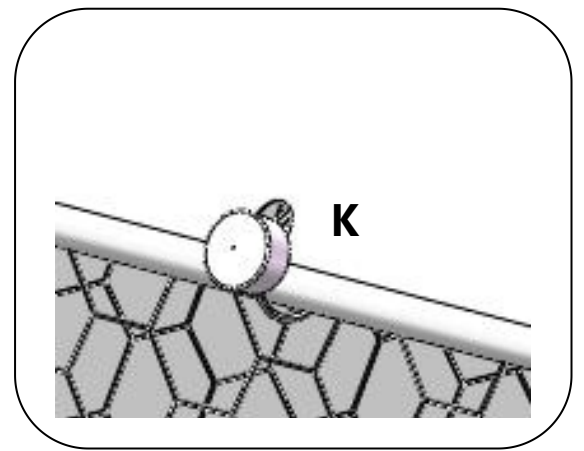
Cut mesh according to requirements





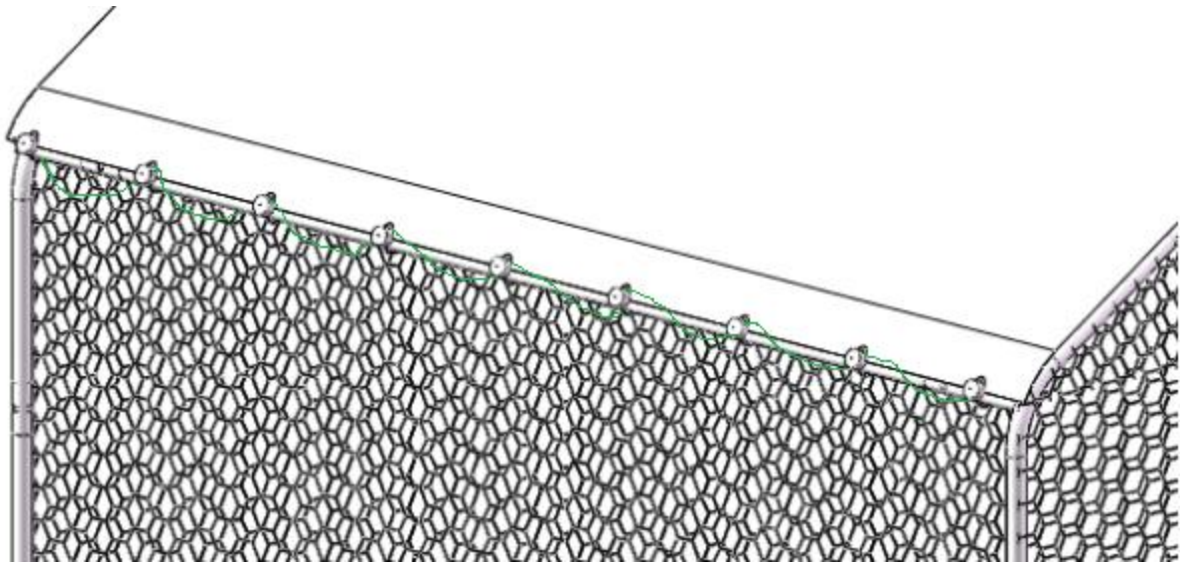
## Step 5

Install the ceiling





Tie the cloth to the tube



### Step 6

Install the nail

