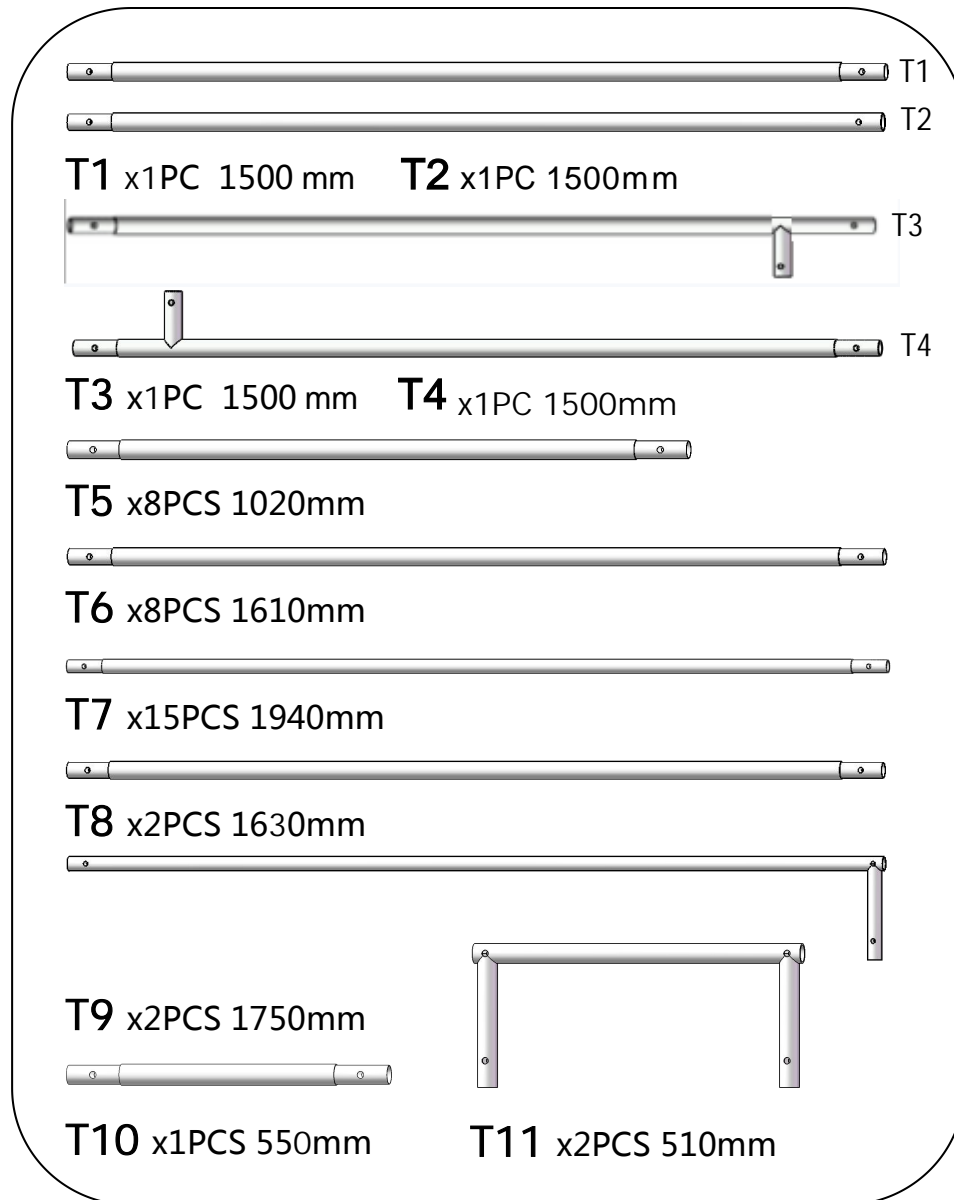
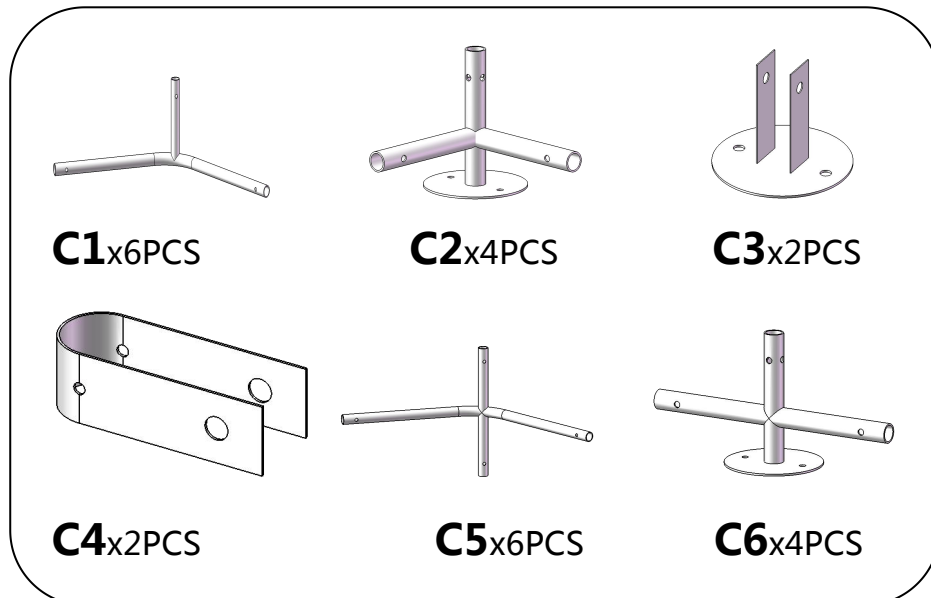


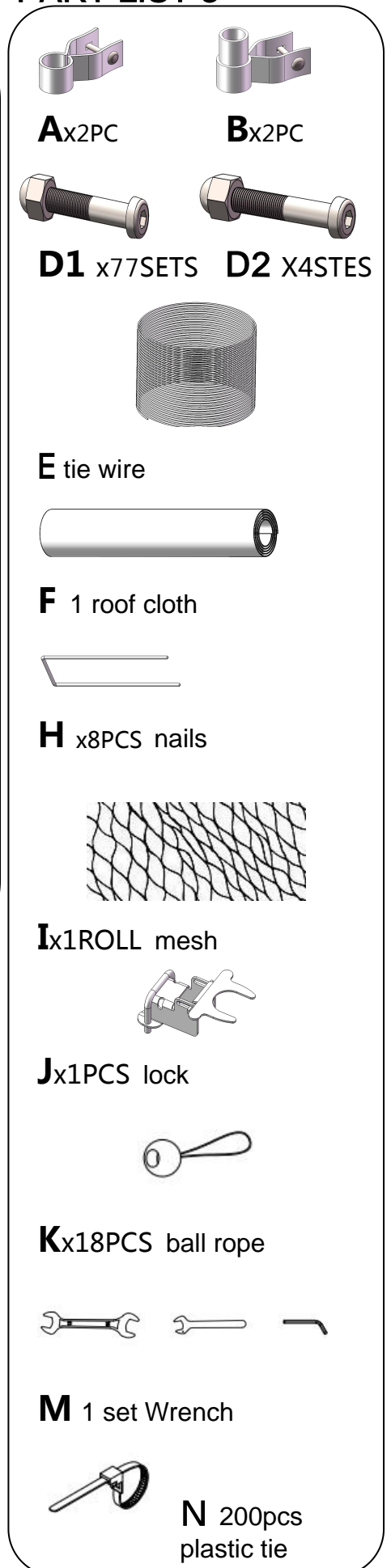
PART LIST 1



PART LIST 2

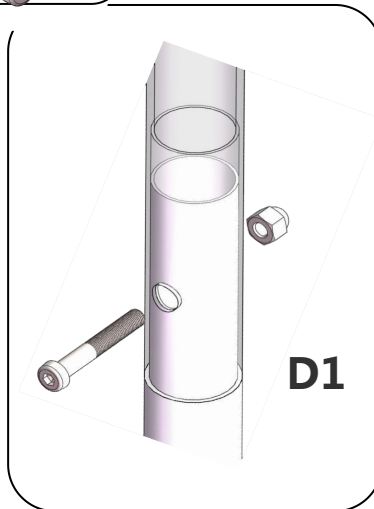
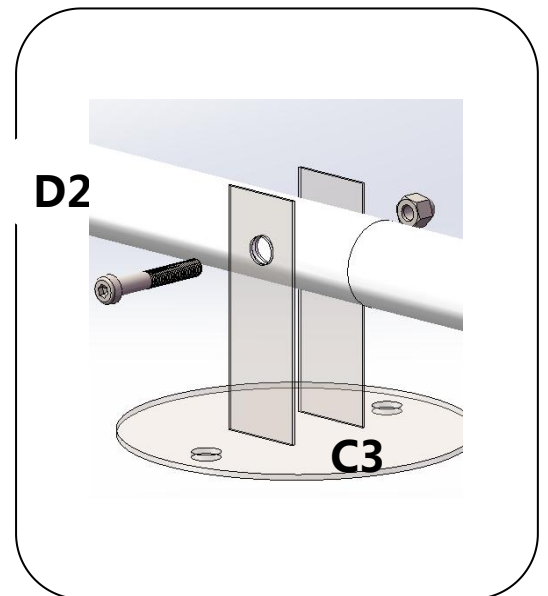
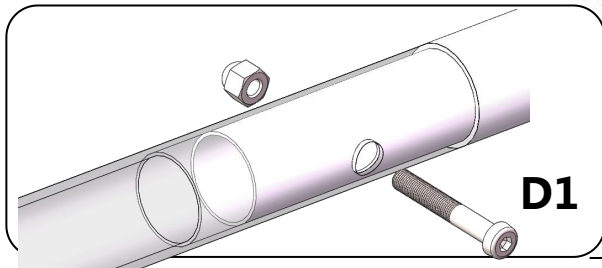
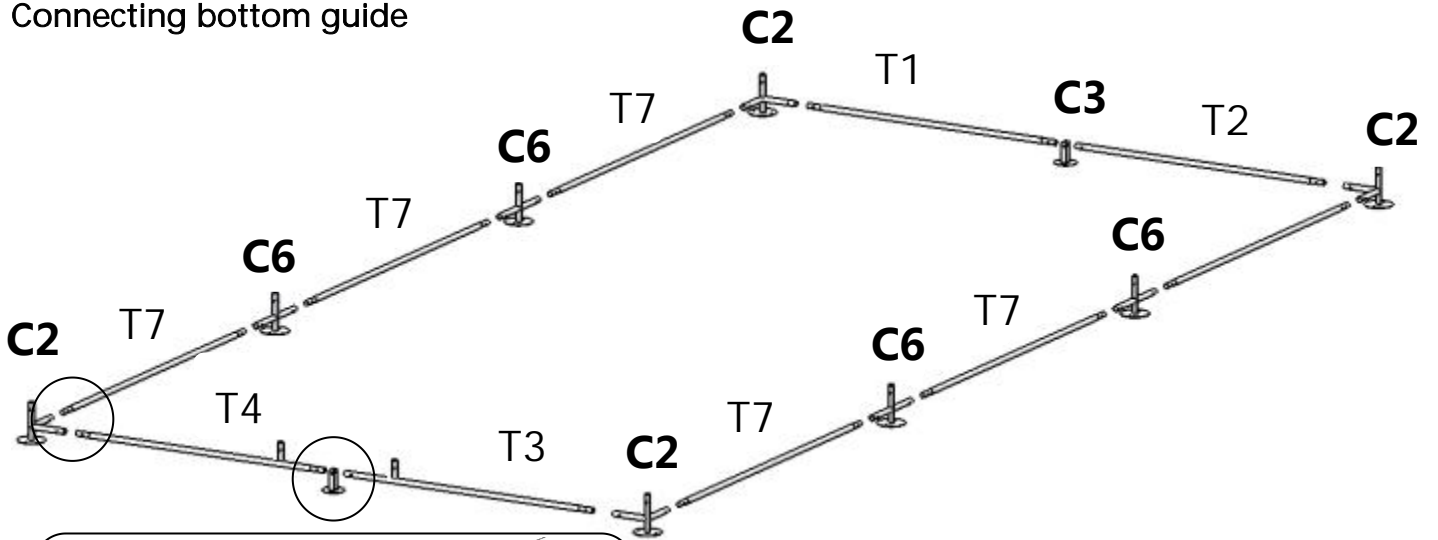


PART LIST 3



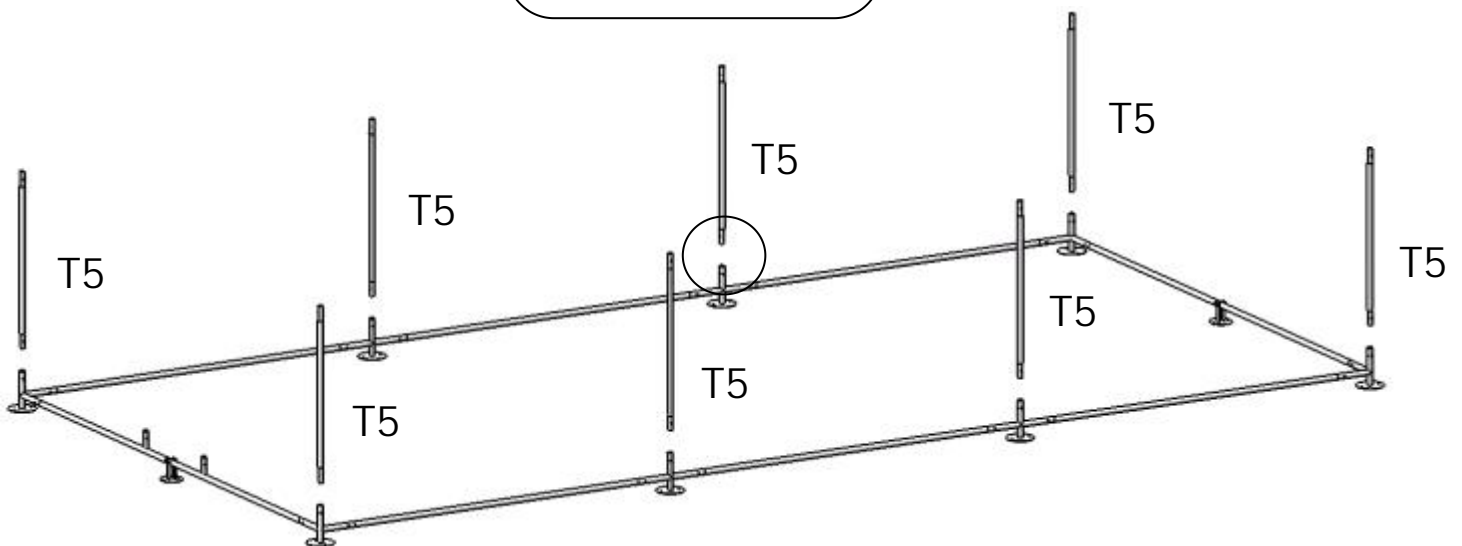
Step 1

Connecting bottom guide



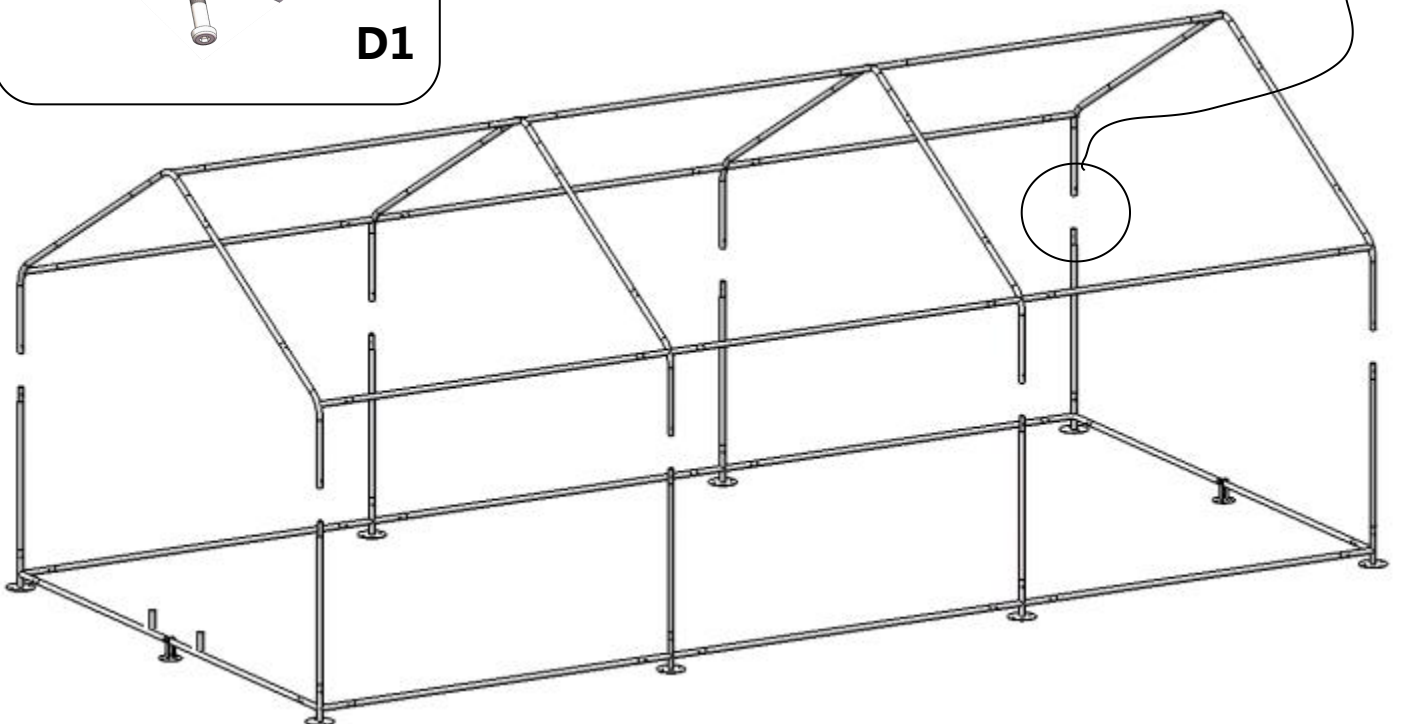
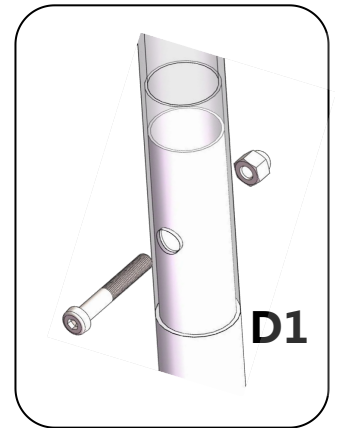
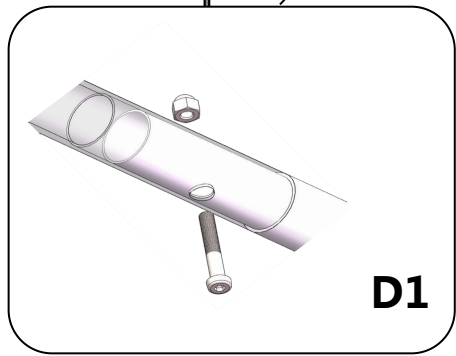
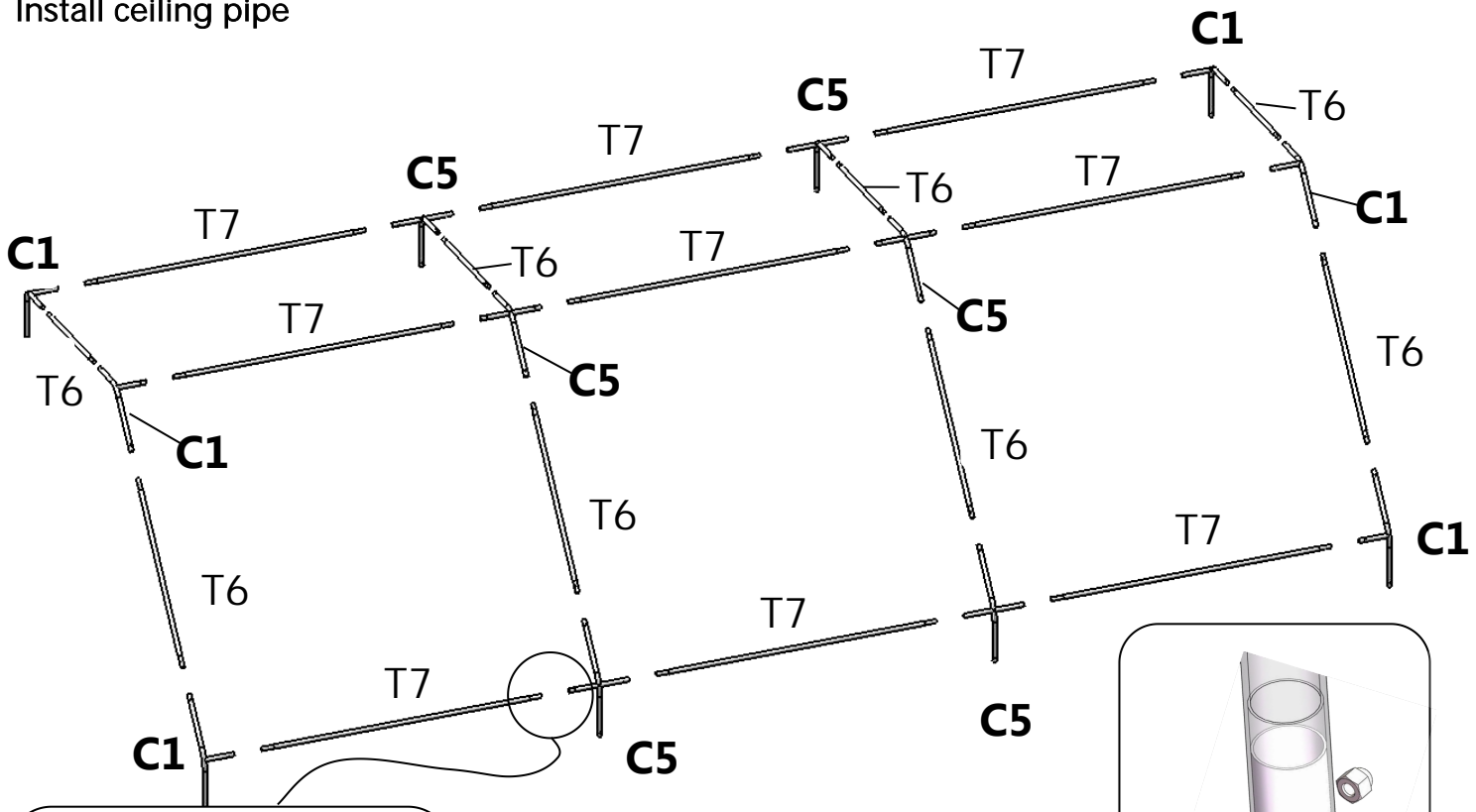
Step 2

Connect the standpipe



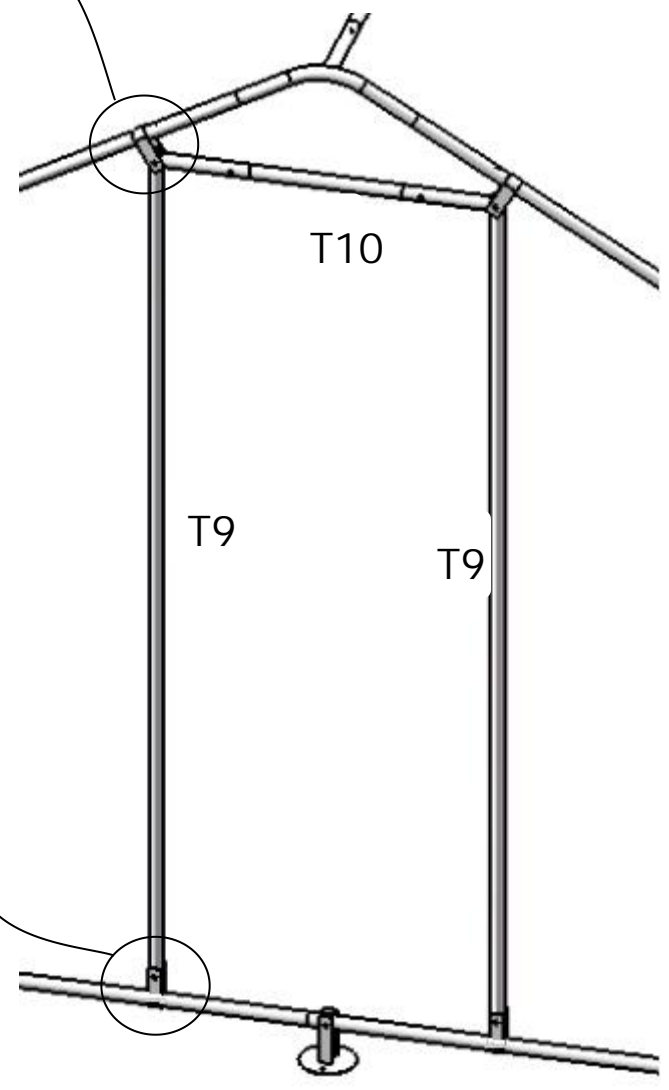
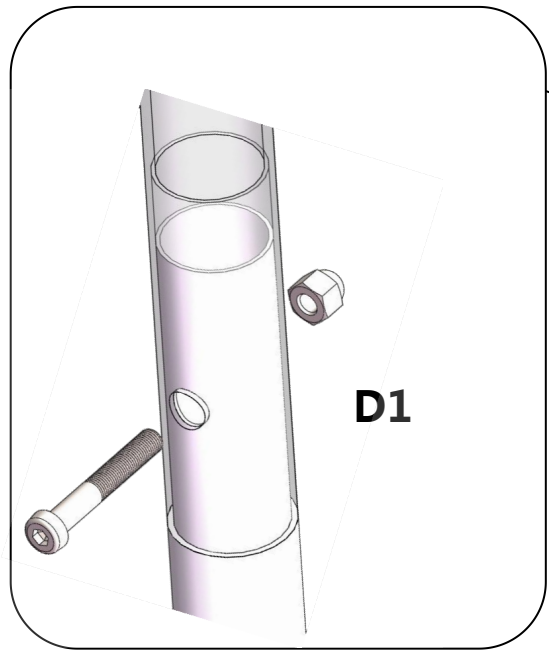
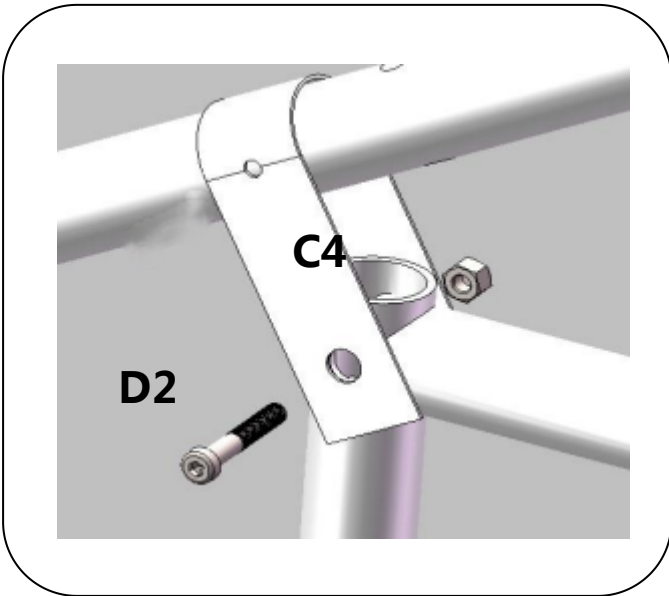
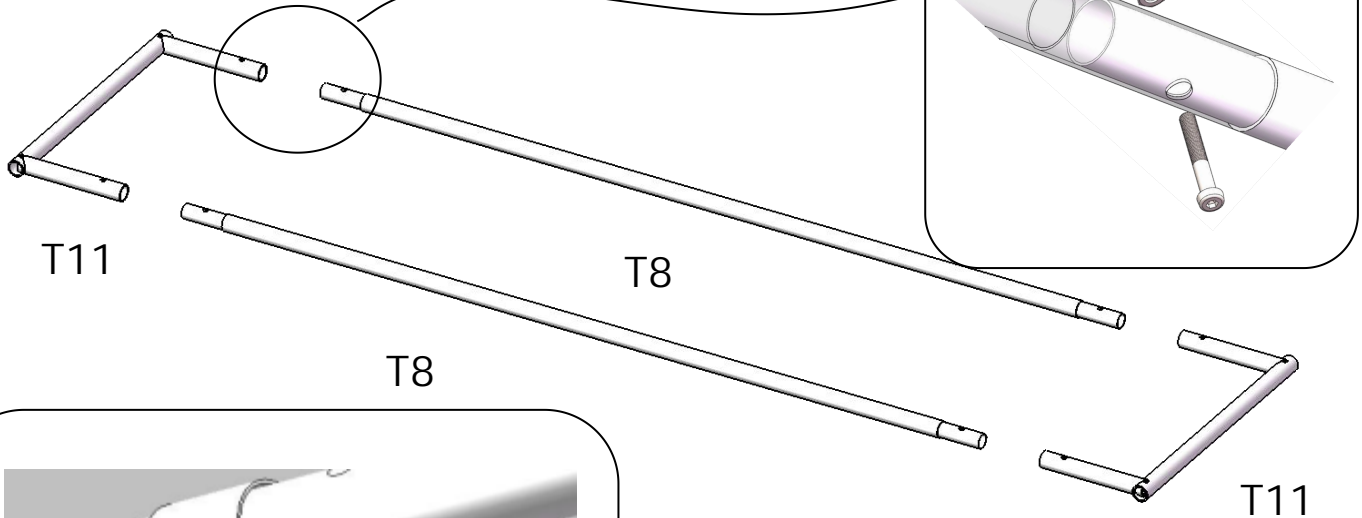
Step 3

Install ceiling pipe

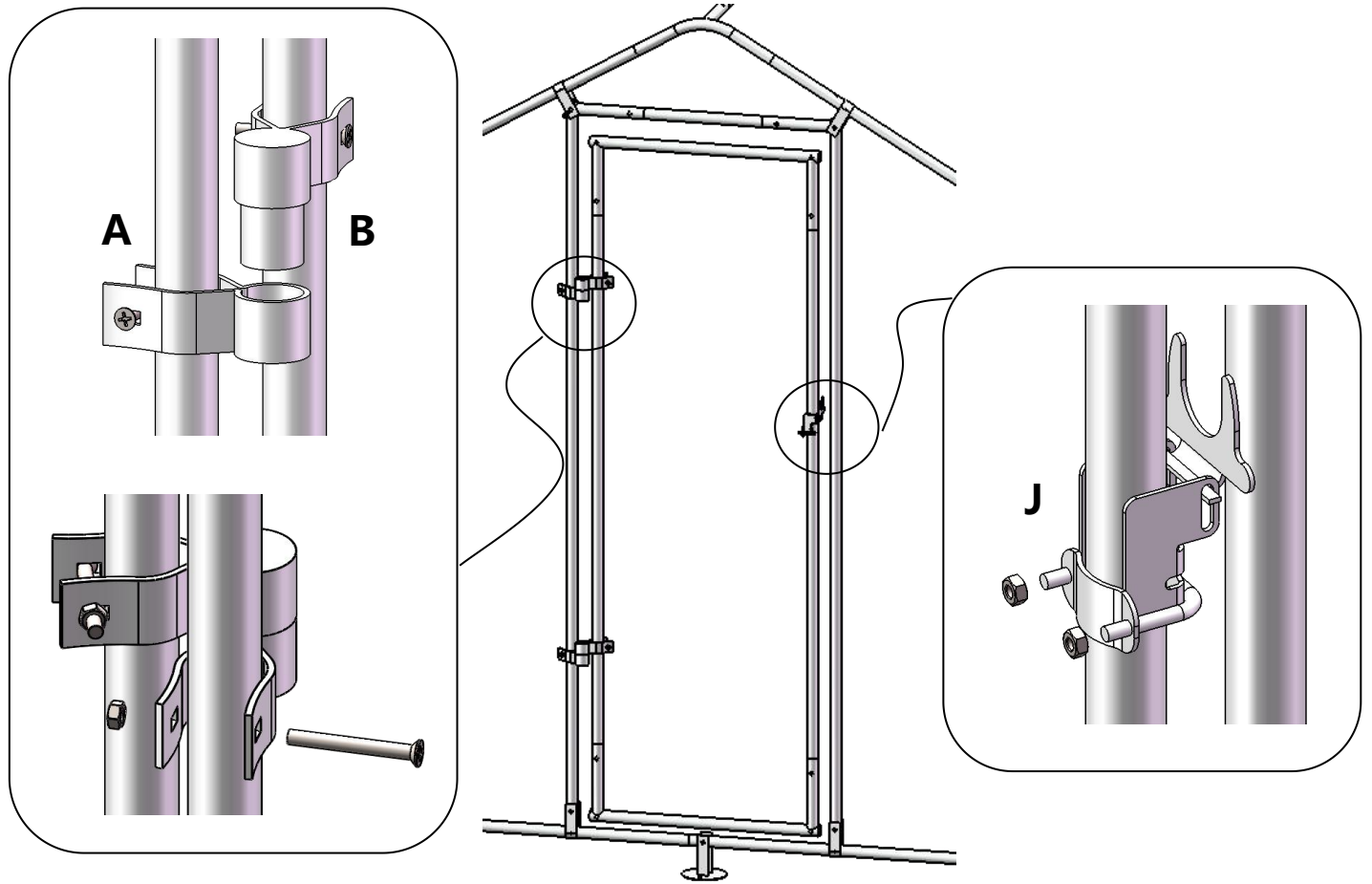


Step 4

Connect the door

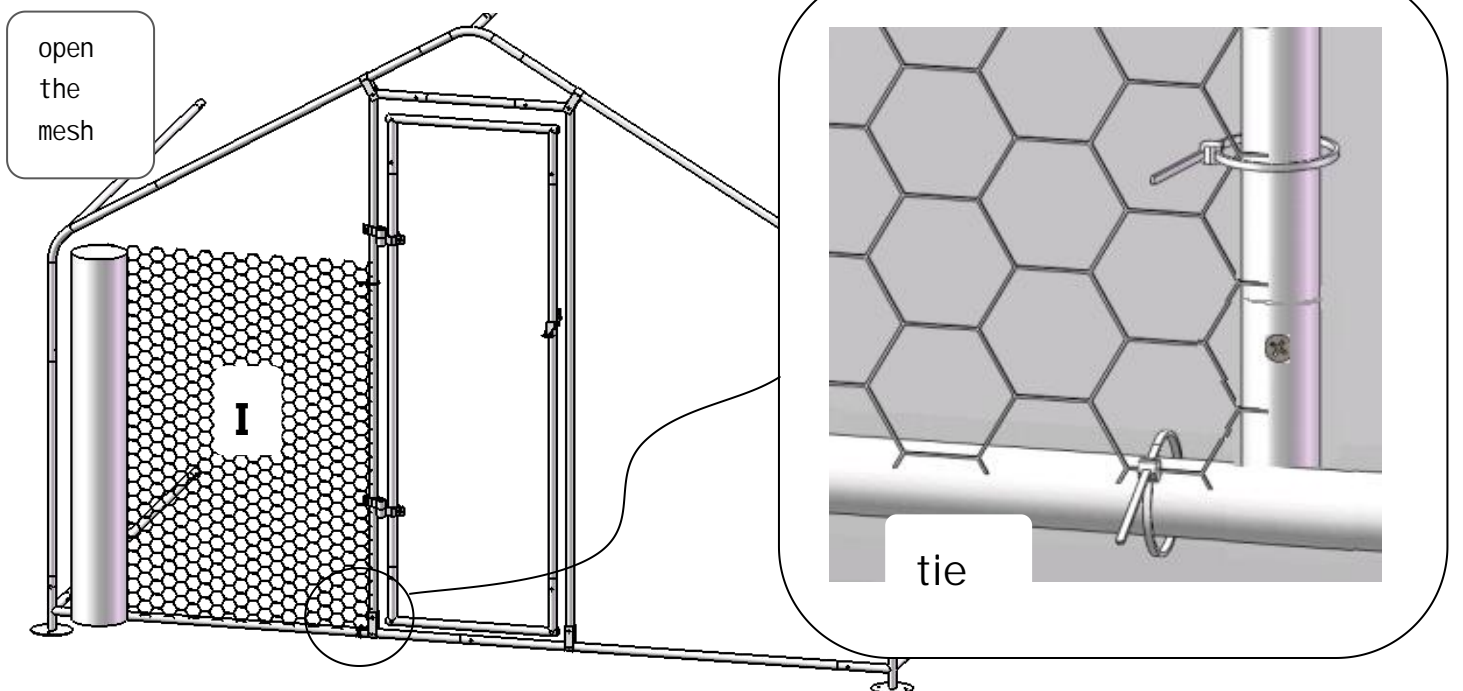


Connect the door

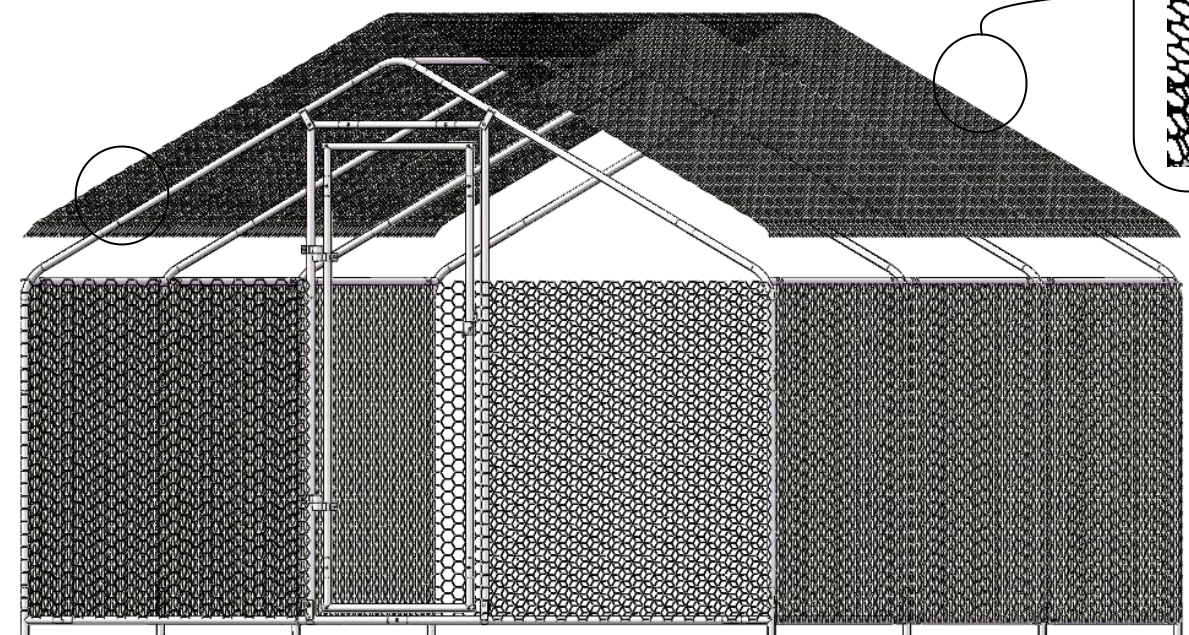
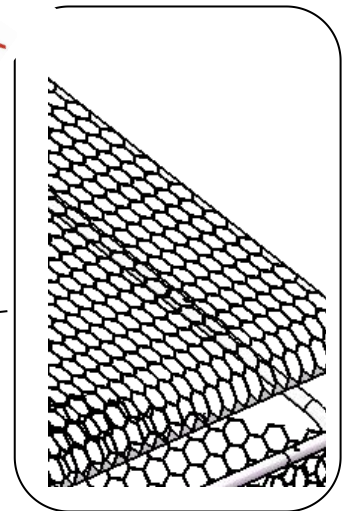
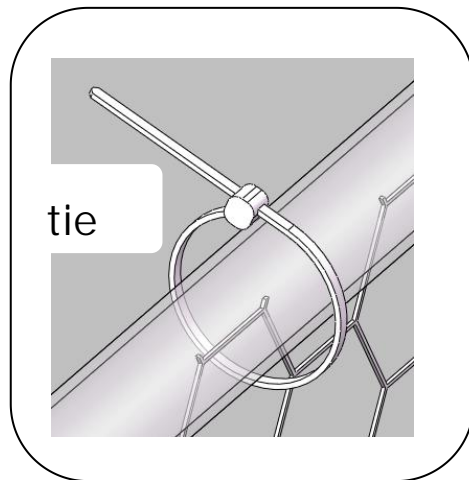
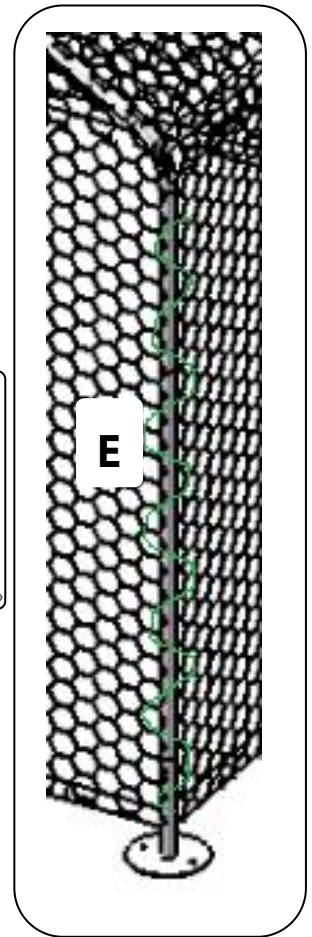
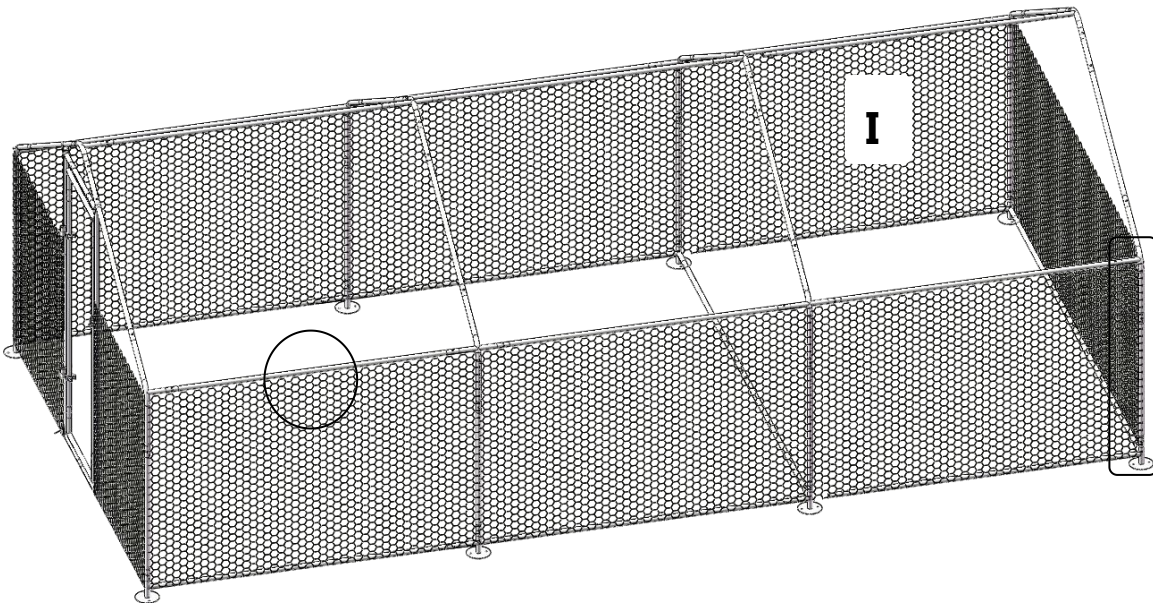


Step 5

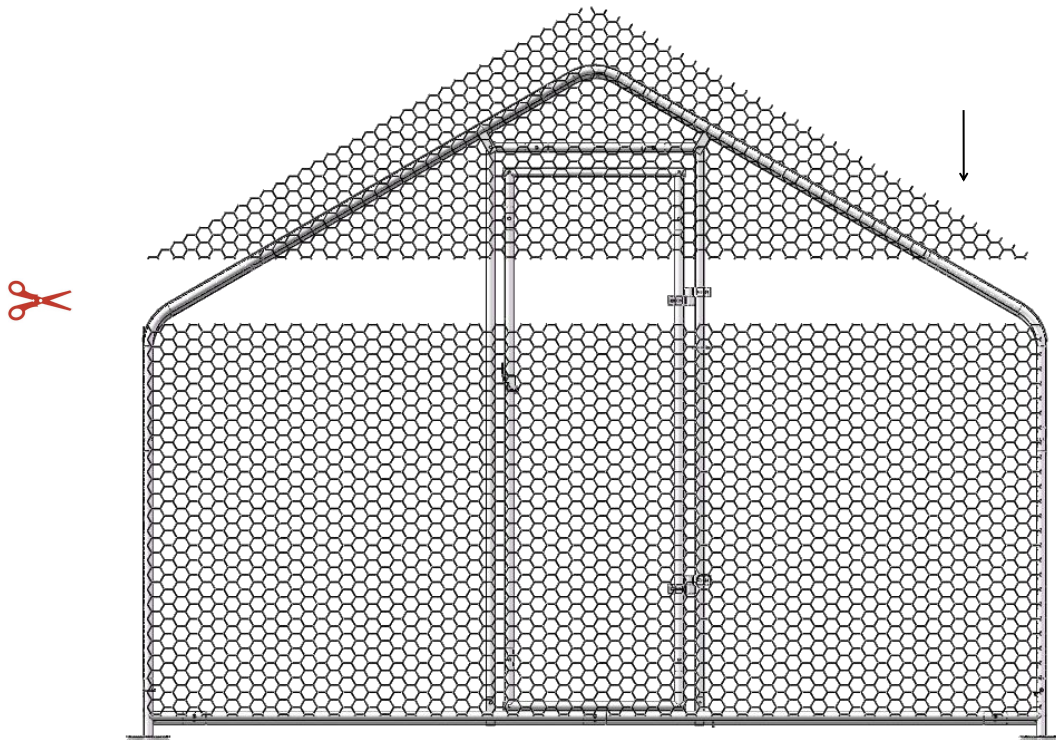
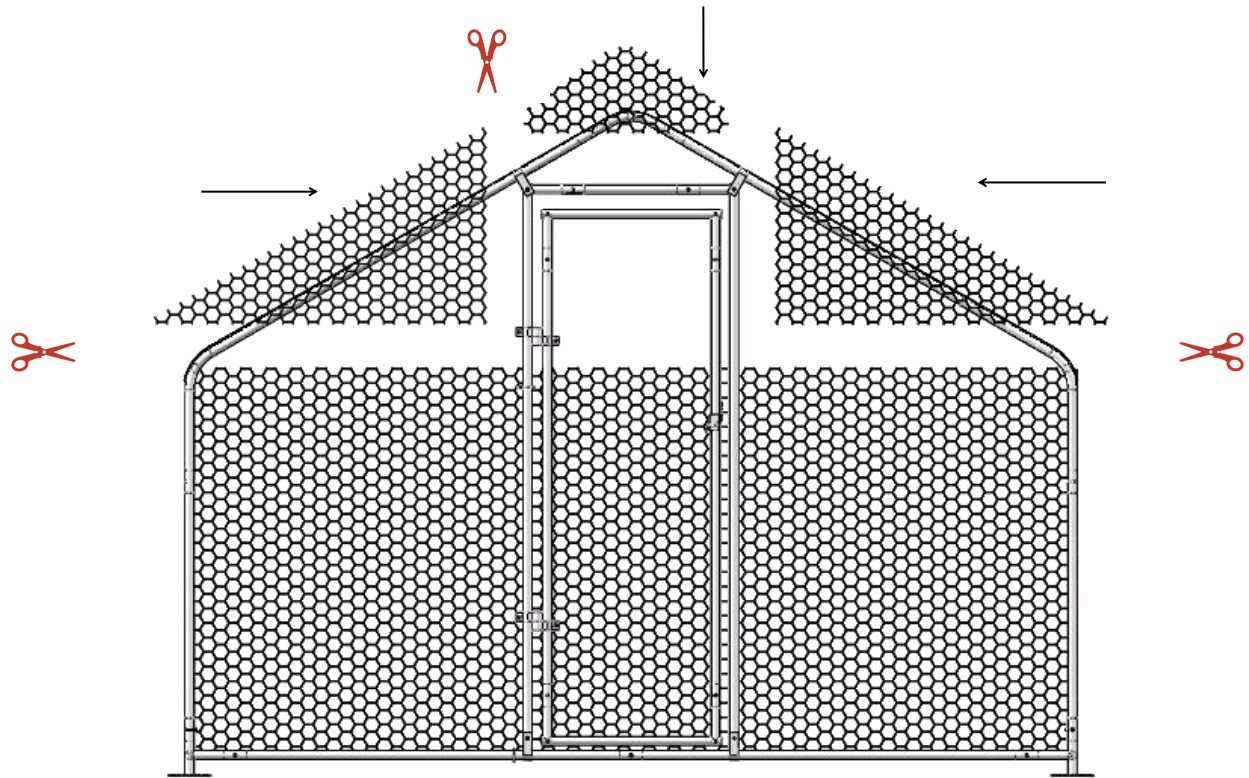
Connect the mesh

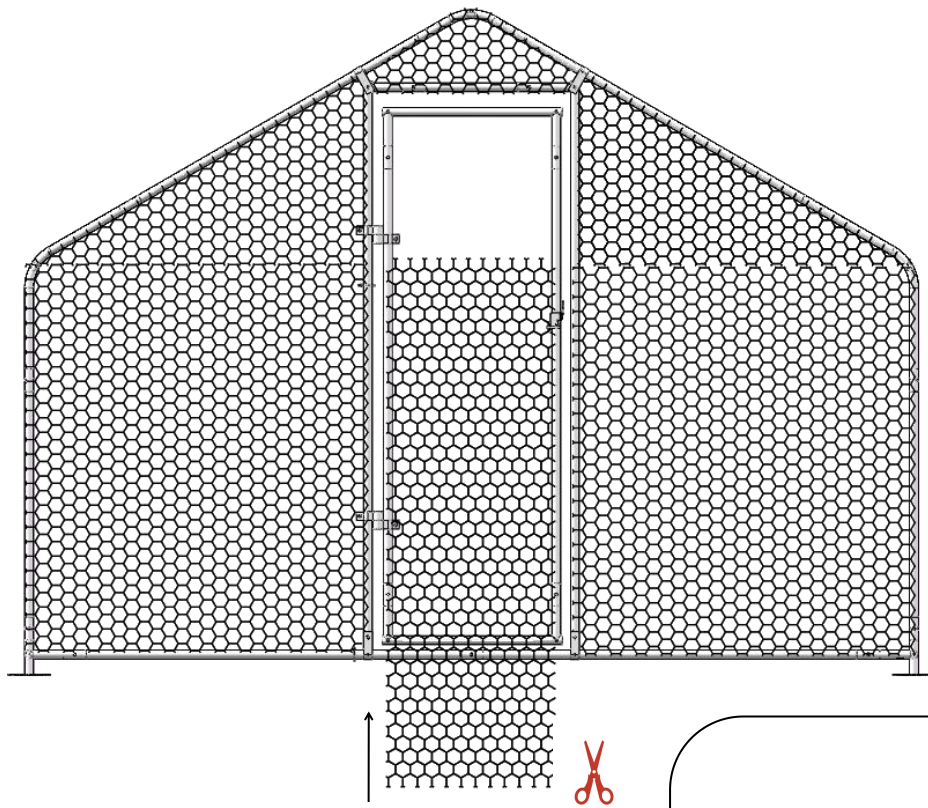


Tie mesh to the tube



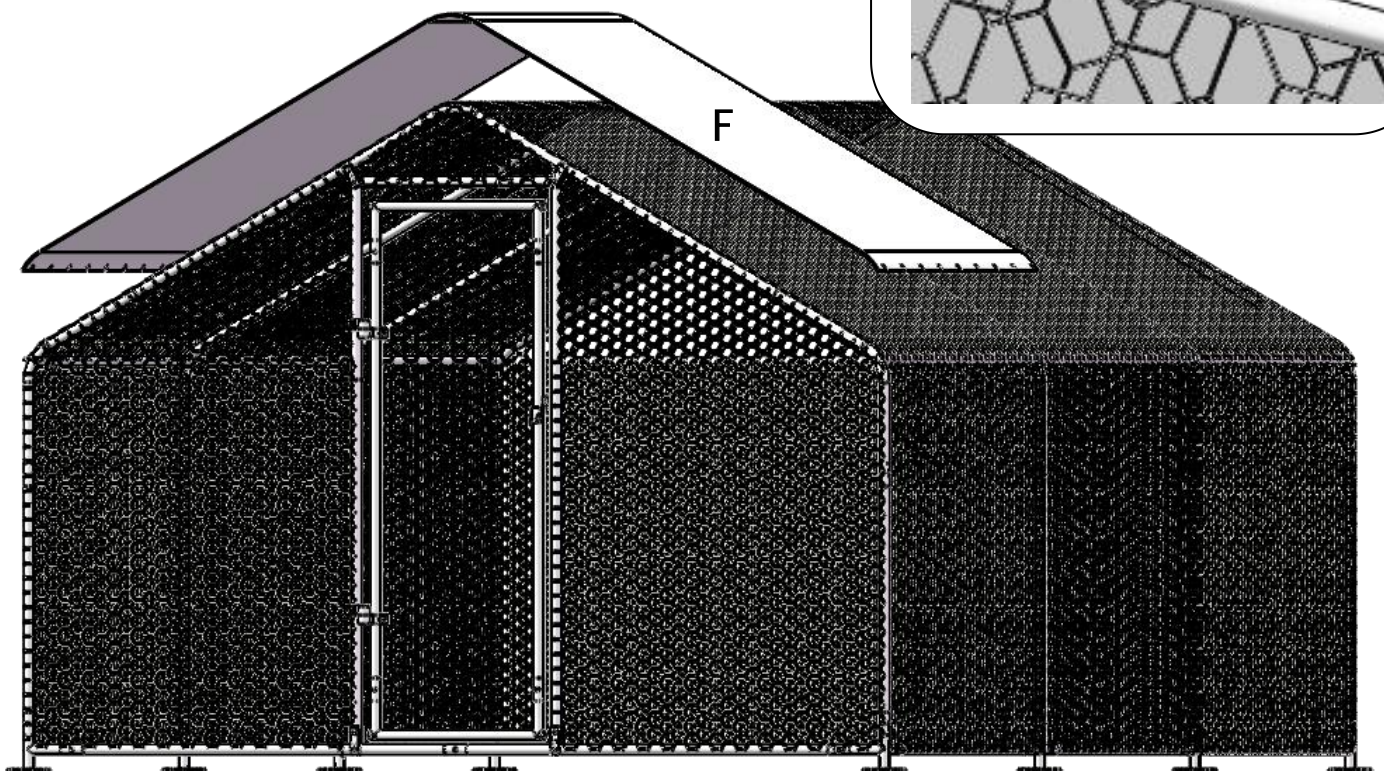
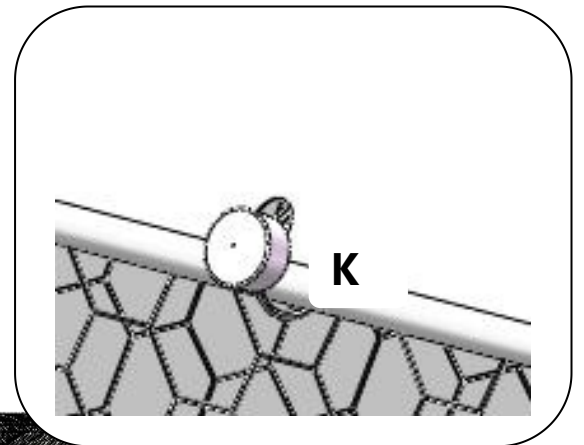
Cut mesh according to requirements



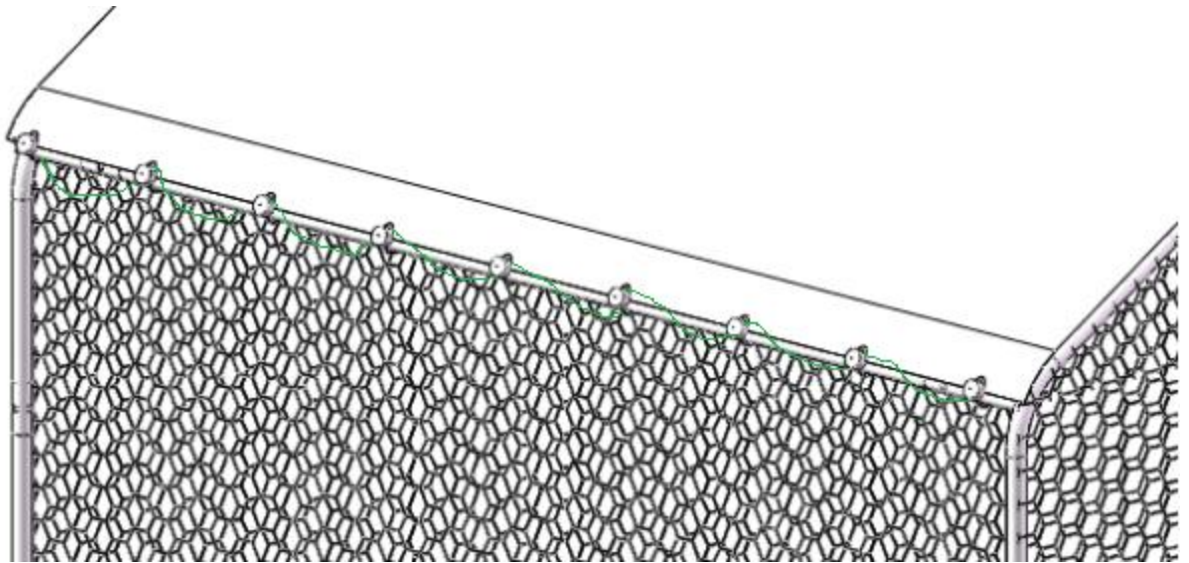


Step 6

Install the ceiling



Tie the cloth to the tube



Step 7

Install the nail

