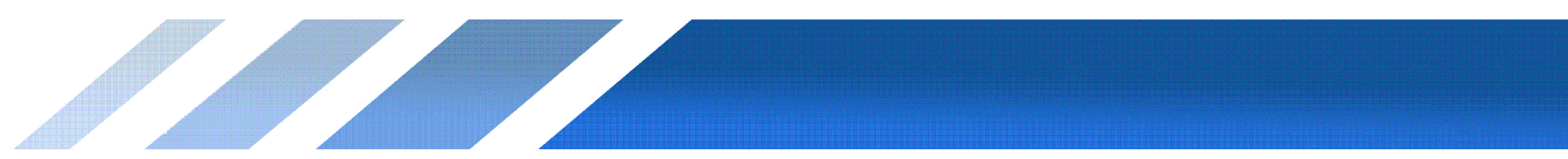
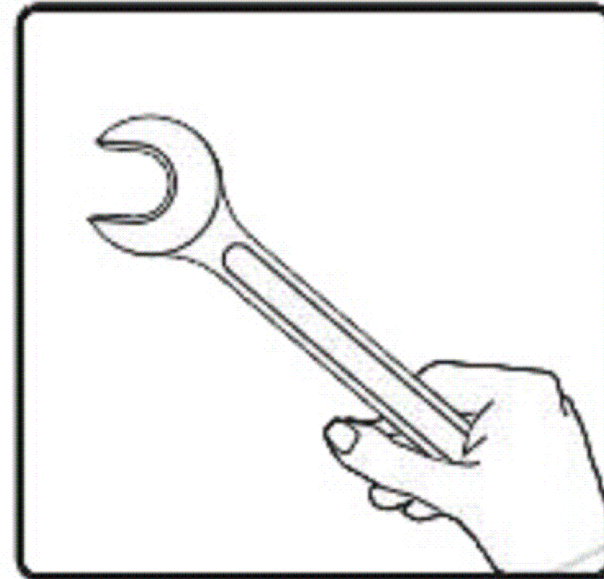
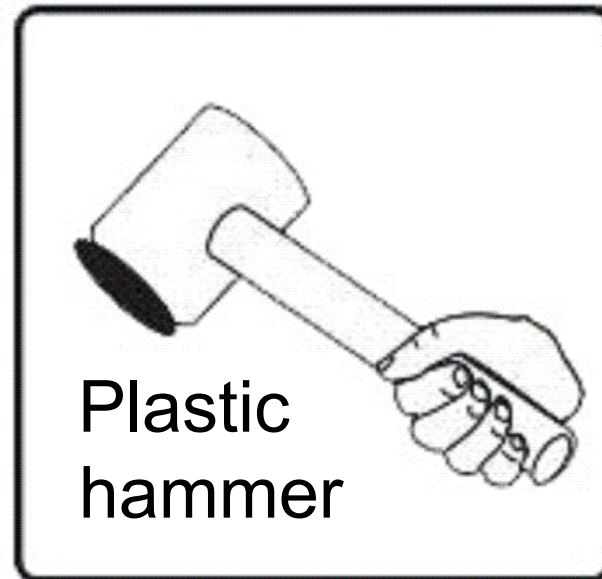
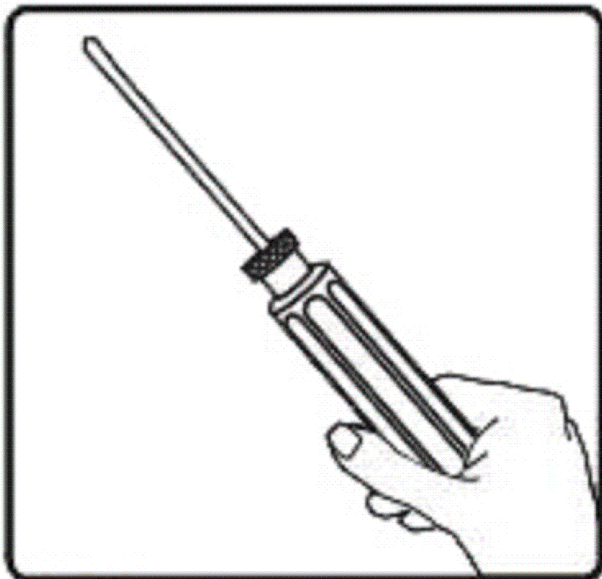
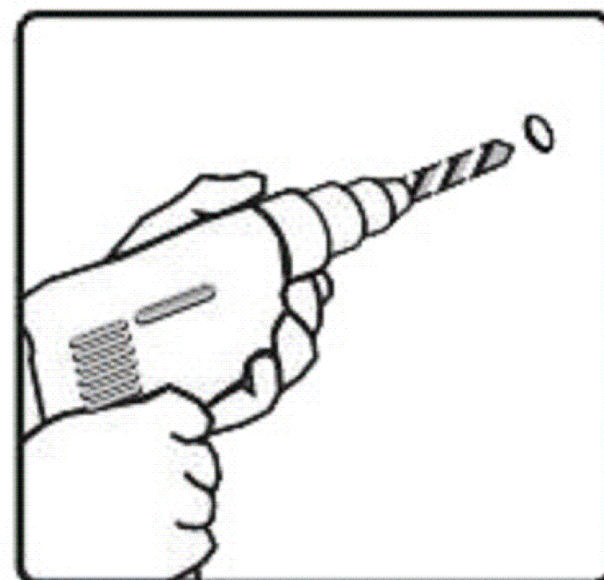
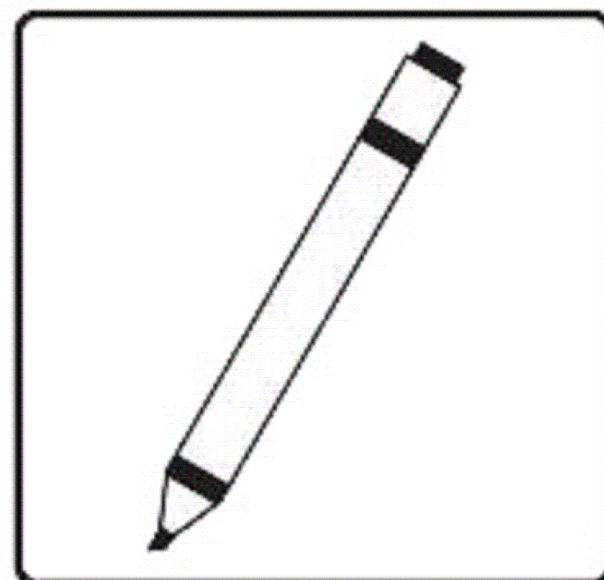
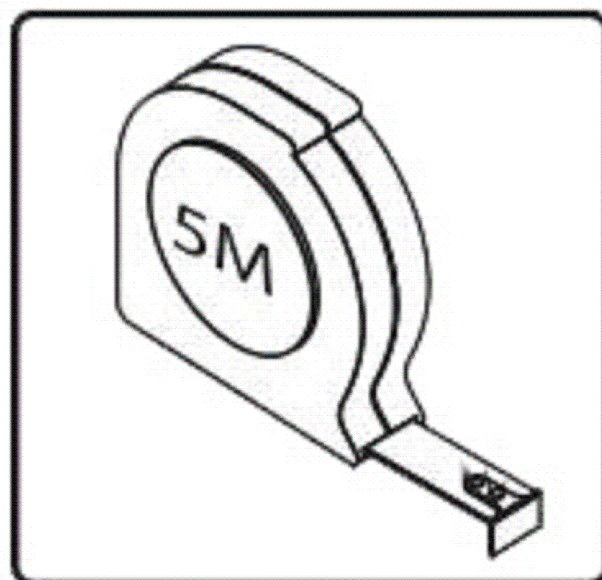
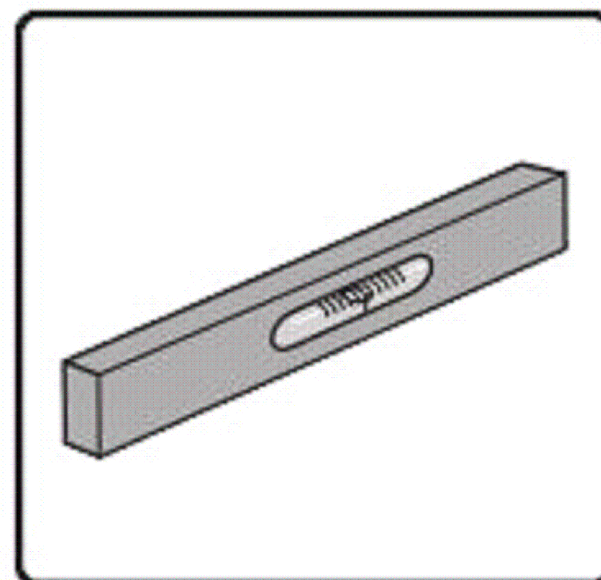
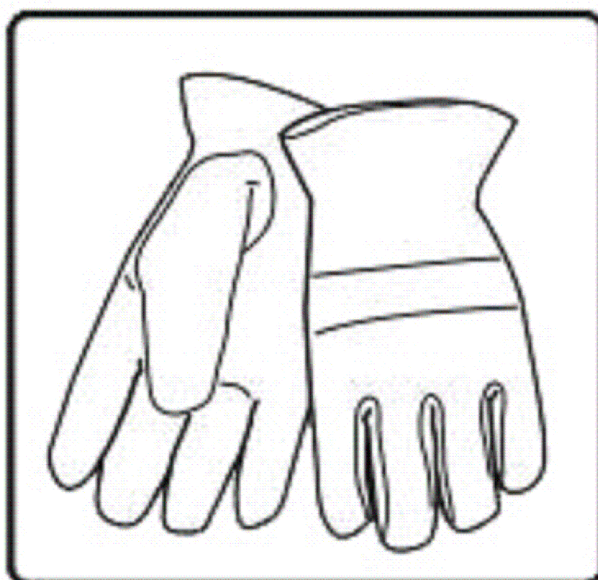
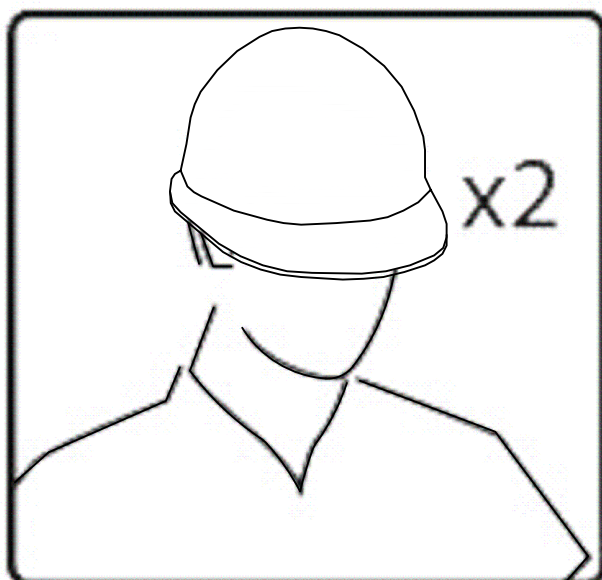
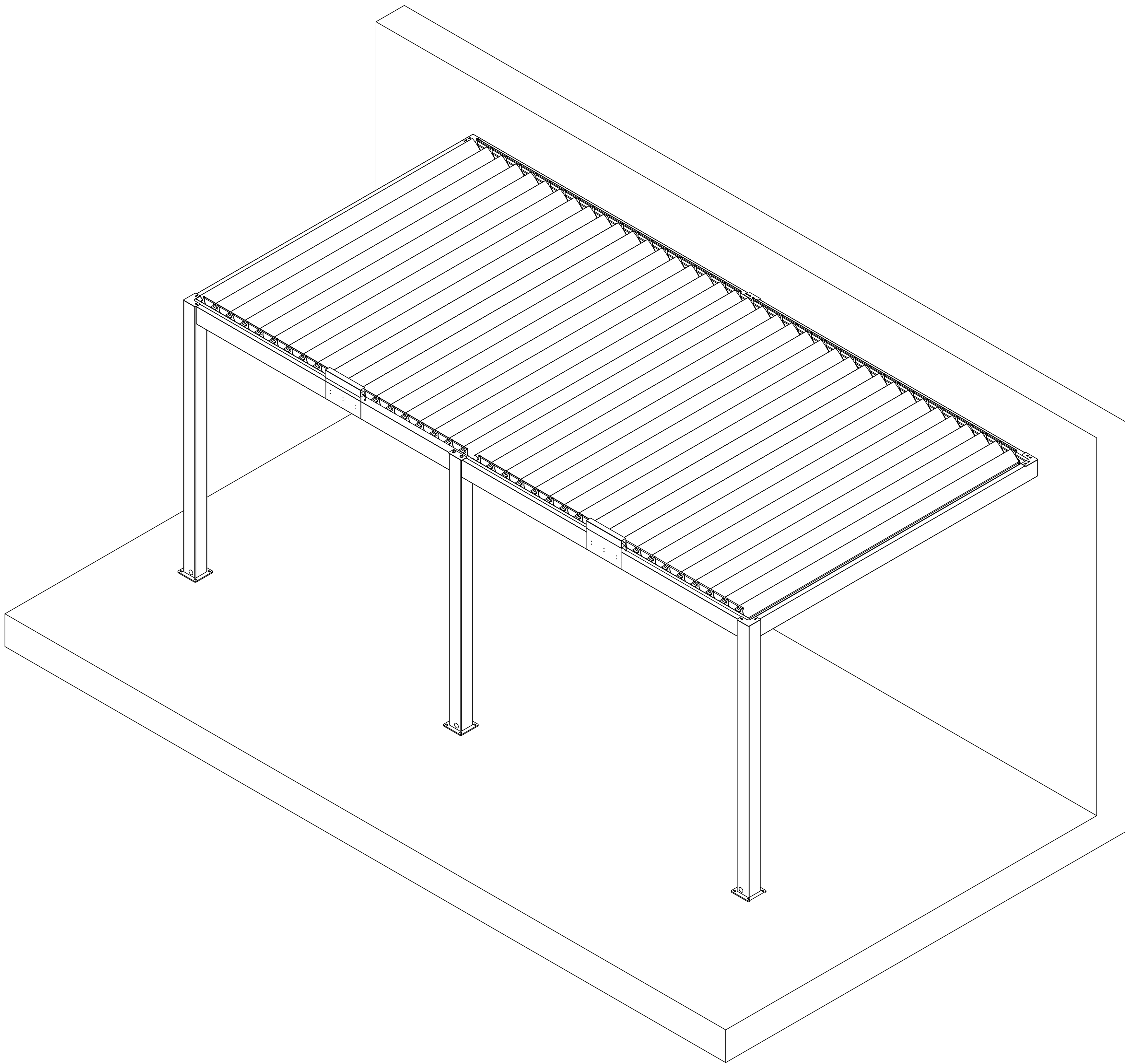


LIVING CULTURE

ELECTRIC PERGOLA WALL MOUNTED 3 POSTS

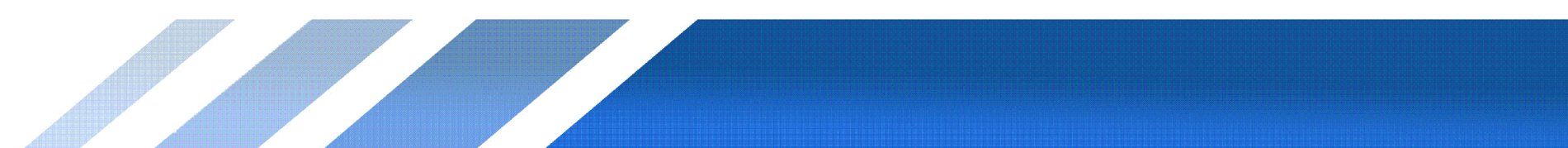
MOTORIZED 2×6m



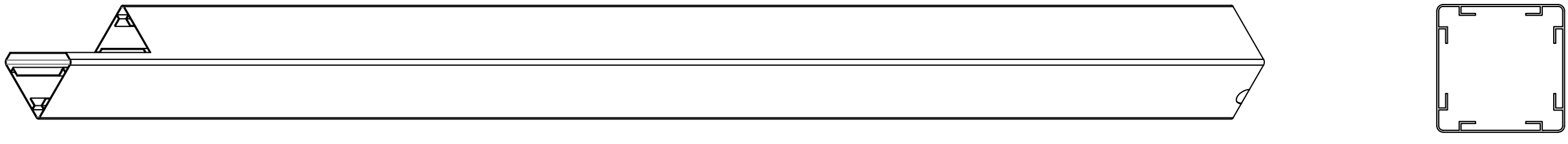
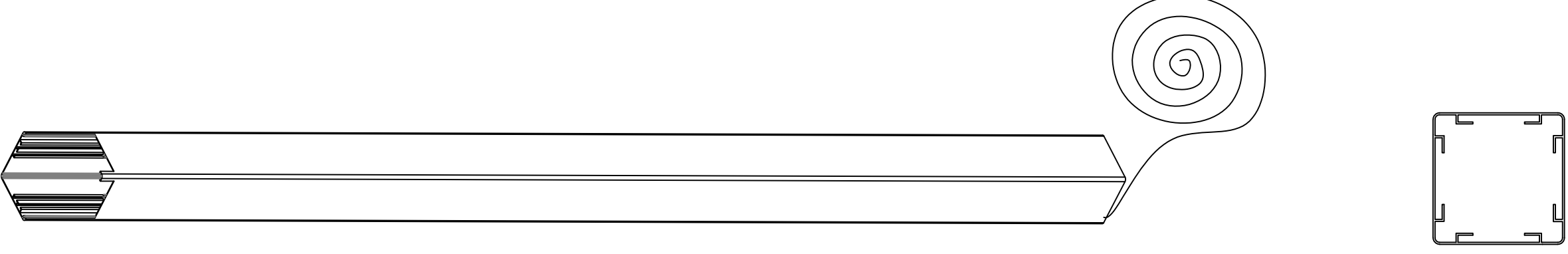
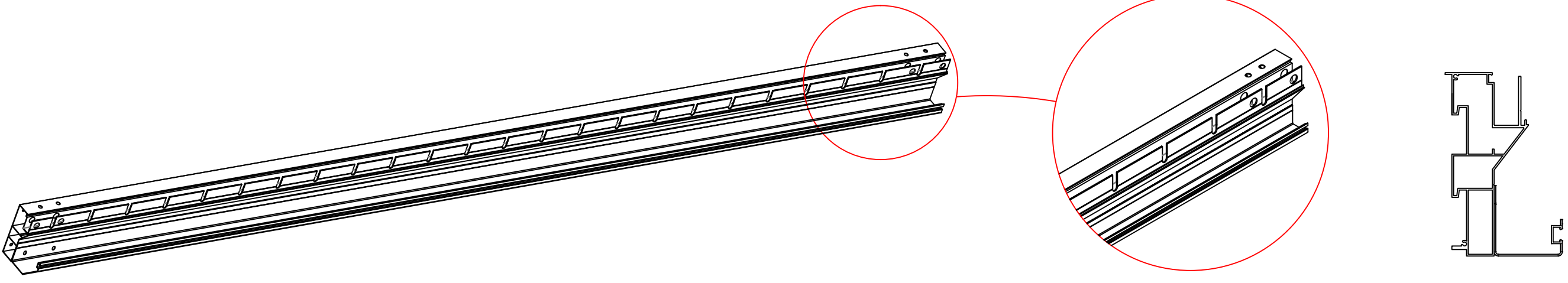
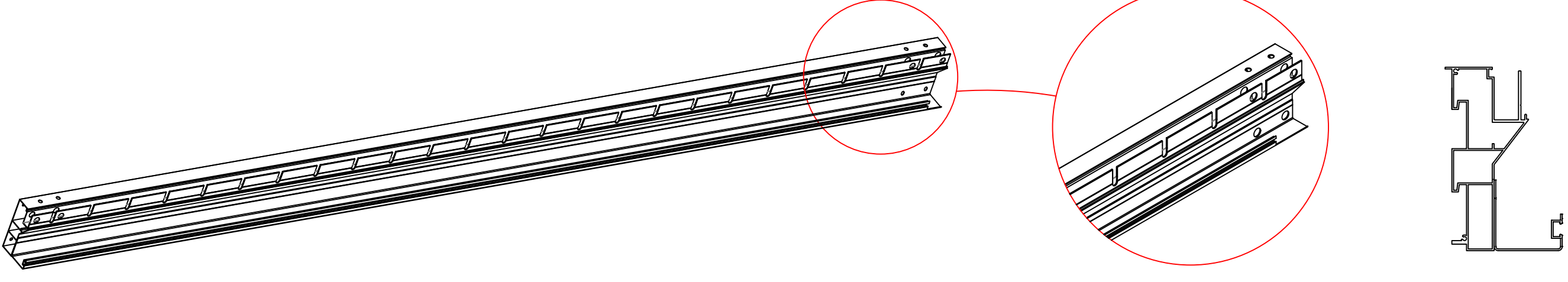
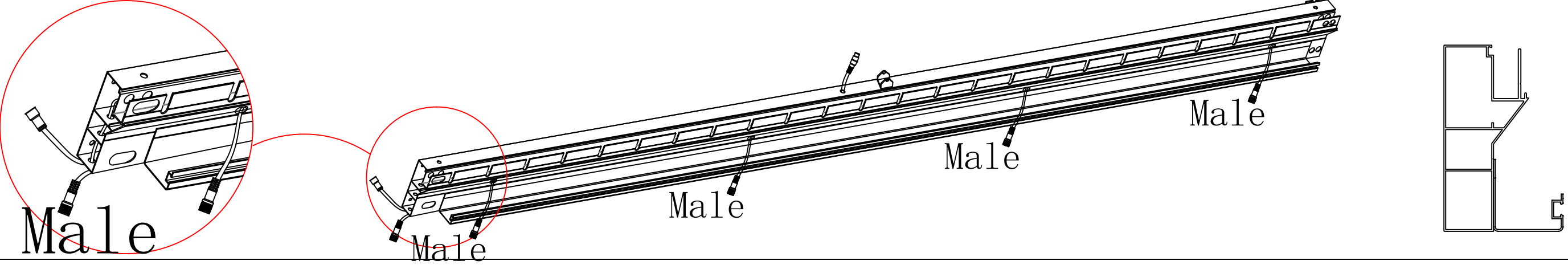
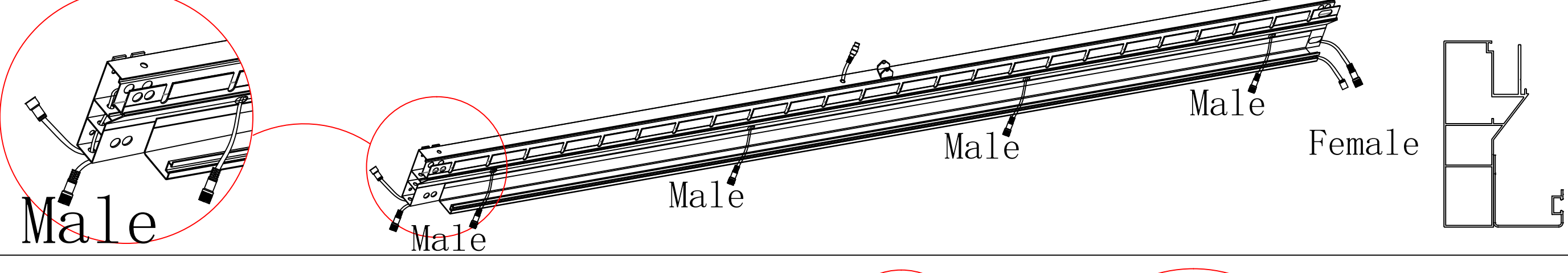
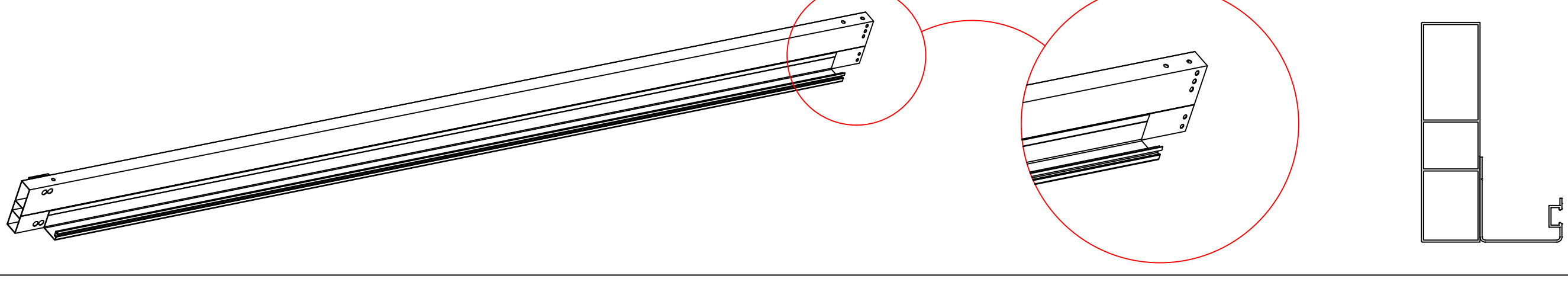
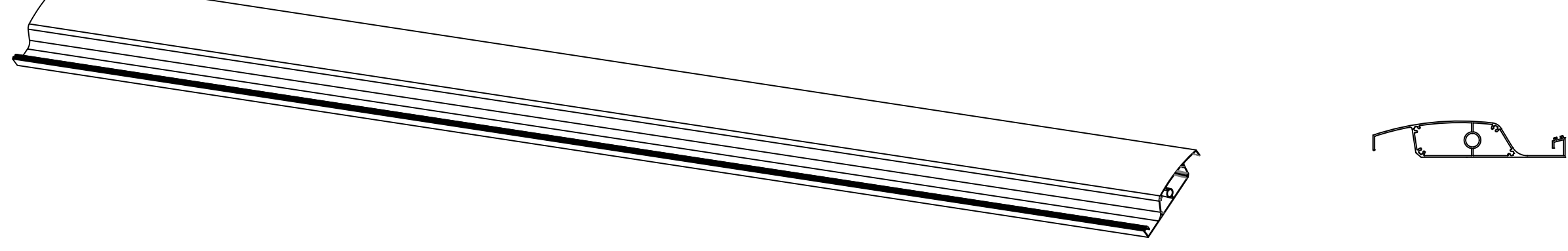
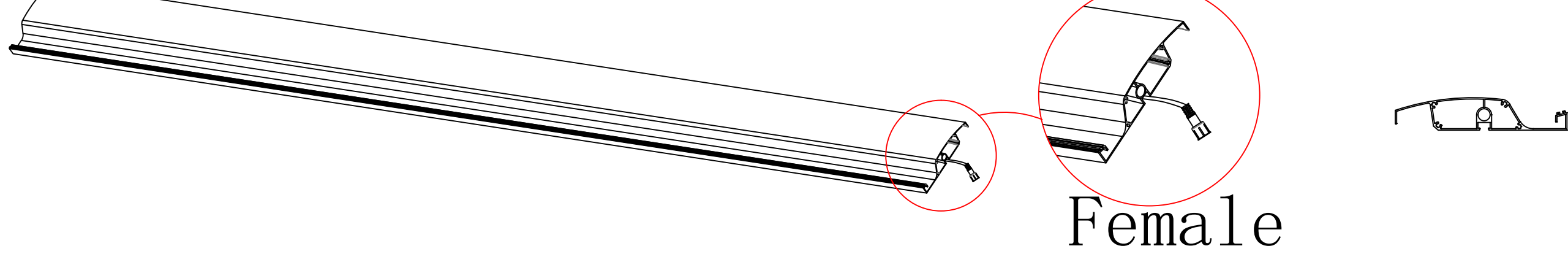
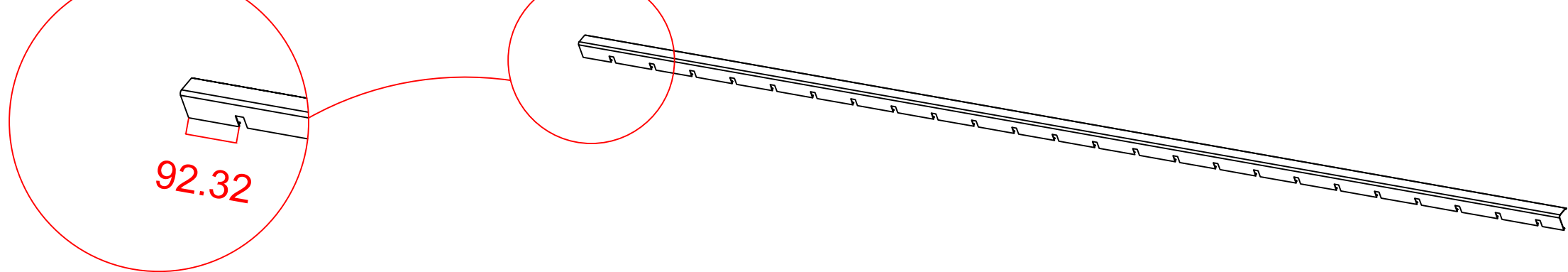


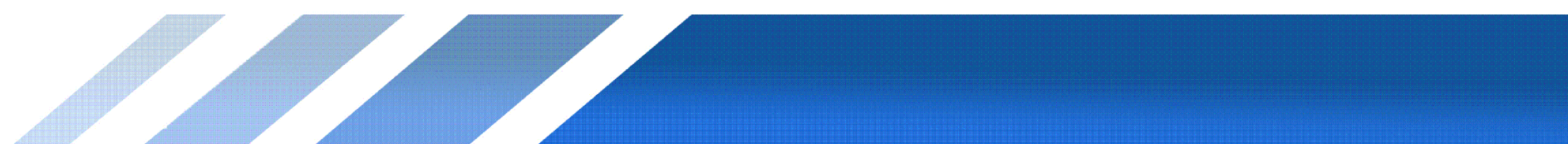


	Item	Qty	Item	Qty	Item	Qty	Item	Qty
Carton 1/5	3B-01 /01B	2	3B-11	2	3B-12	2	3B-13	3
	3B-14	2	3B-18	1	3B-19	24	3B-20	74
	3B-20B	4	3B-21	12	3B-23	52	3B-24	1
	3B-26	2	3B-30	2	3B-31	2	3B-32	1
	3B-33	1	3B-35	2	3B-40	2	3B-41	2
	3B-42a	10	3B-42b	8	3B-46	3	3B-48	31
	3B-48B	8	3B-49	31	3B-49B	8	3B-51	312
	3B-53	6	3B-54	11	3B-55	2	3B-62	16
	3B-56	2	3B-57	8	3B-58	1	3B-59	2
	3B-60	2	3B-61	1	3B-39	16	3B-45	12
	3B-45B	4	3B-52B	1				
Carton 2/5	3B-02/ 2-2	2	3B-03/ 03-2	2	3B-09	2	3B-56	2
	3B-08-a	1	3B-08-b	1	3B-08-c	1	3B-08-d	1
Carton 3/5	3B-06	10	3B-07	8				
Carton 4/5	3B-06	18						
Carton 5/5	3B-06	3	3B-04	2	3B-27	1		

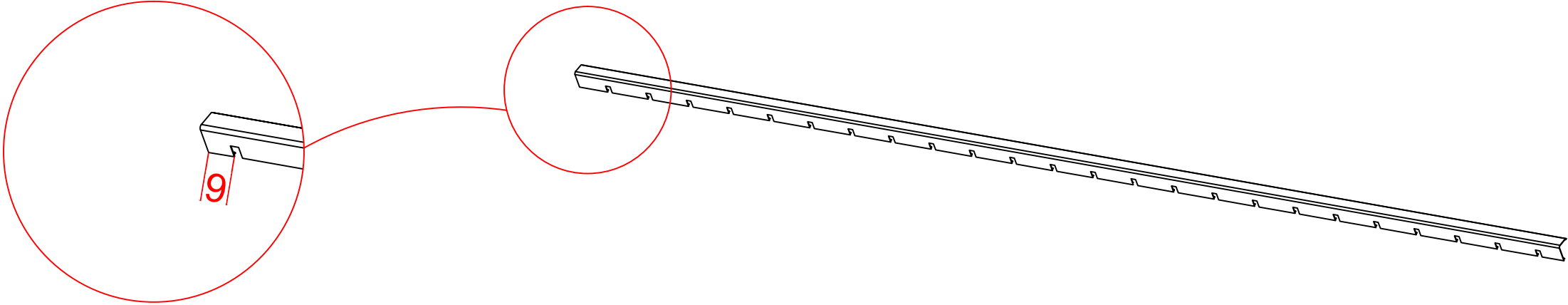
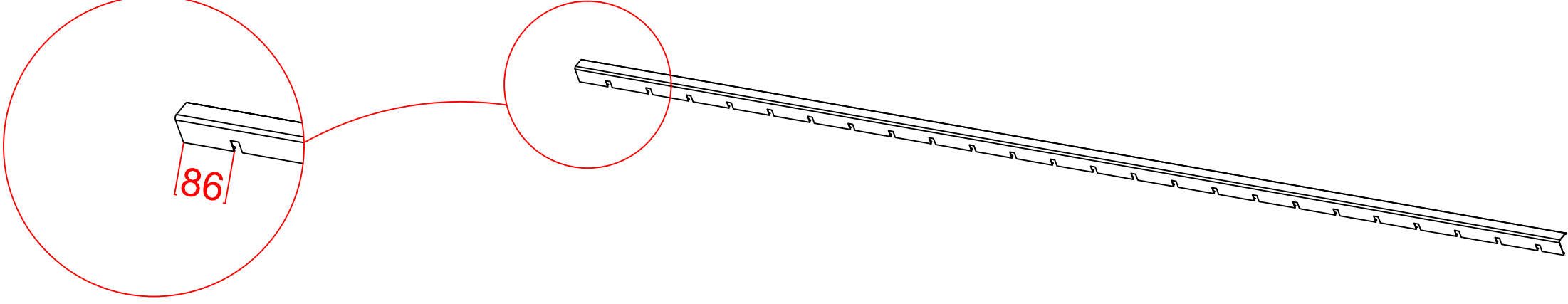
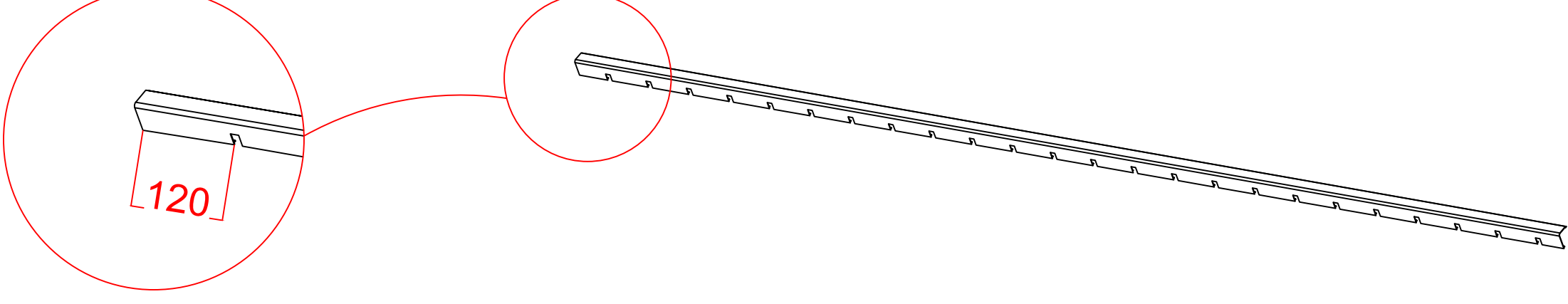
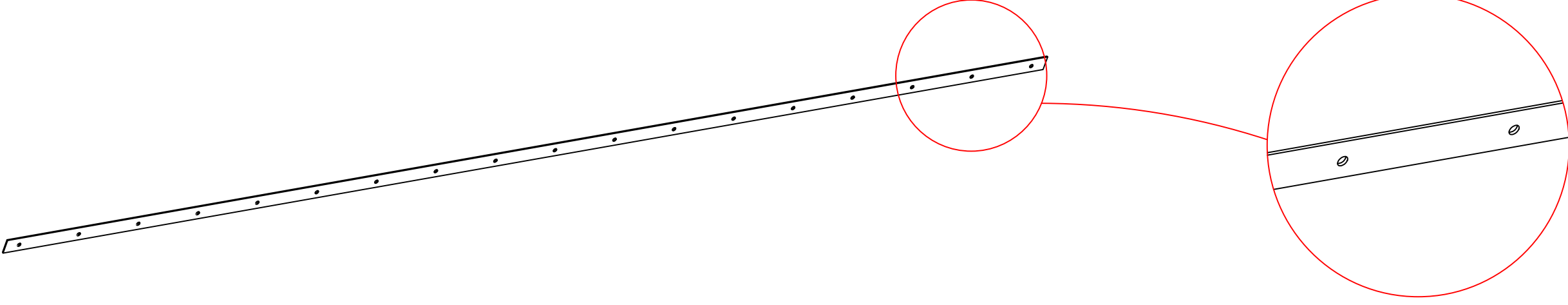
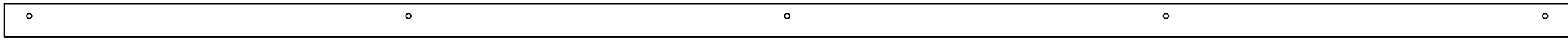
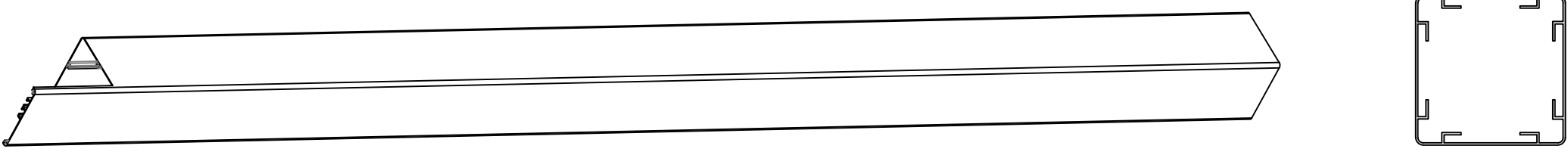


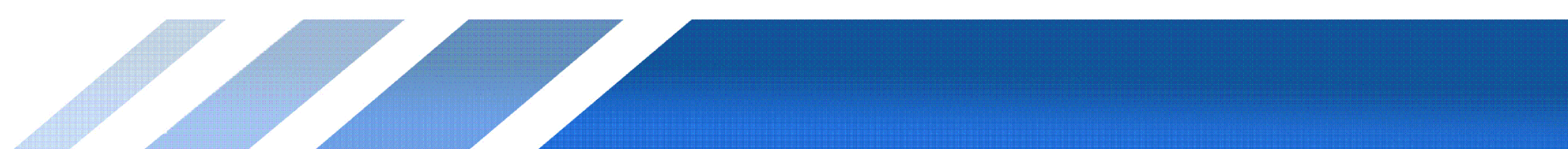


Item	Drawings	Qty
3B-01		1
3B-01B		1
3B-02		1
3B-02-2		1
3B-03		1
3B-03-2		1
3B-04		2
3B-06		31
3B-07		8
3B-08-a		1





Item	Drawings	Qty
3B-08-b		1
3B-08-c		1
3B-08-d		1
3B-09		4
3B-56		2
3B-27		1

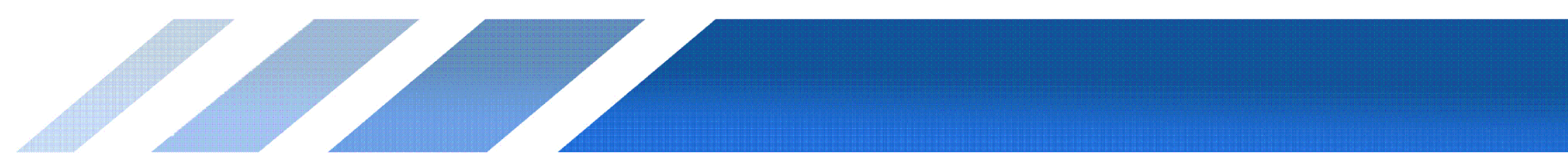


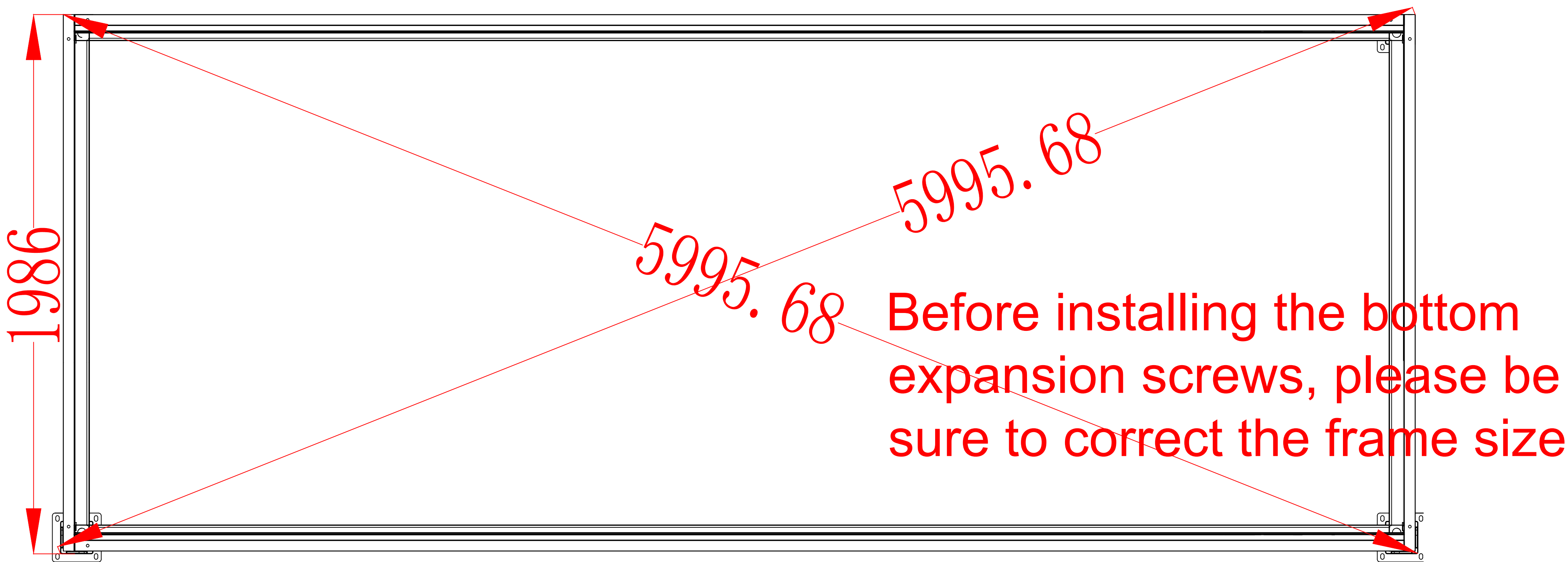
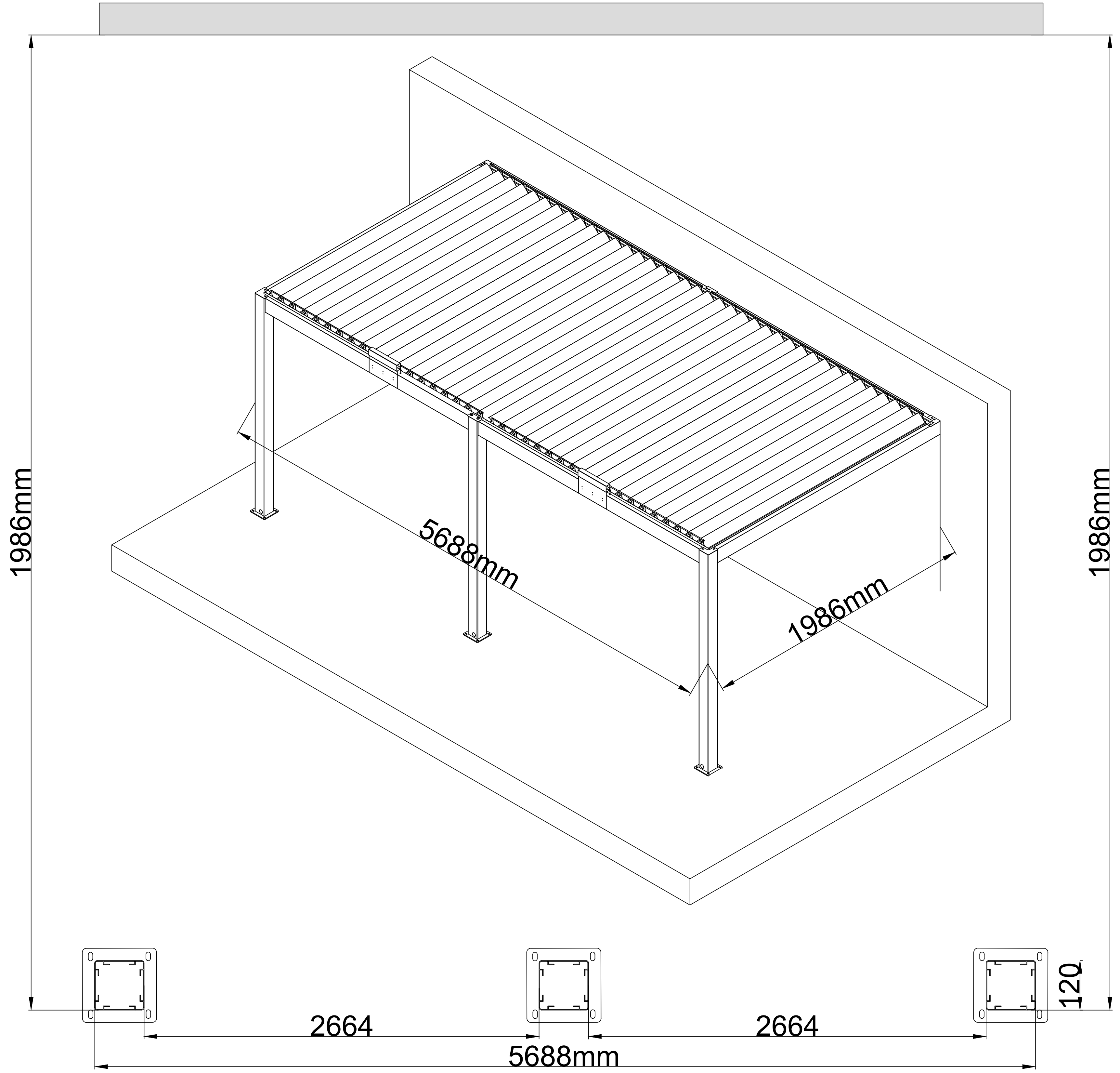


Item	Drawings	Qty
3B-11		2
3B-12		2
3B-13		3
3B-14		2
3B-18		1
3B-19	M8*20	24+2
3B-20	5-12-M4	74+2
3B-20B	5-16-M4	4+2
3B-21	M10*80	12
3B-23	M4.2*19	52+2
3B-24		1
3B-30		2
3B-31		2
3B-35		2
3B-40		2
3B-41		2

Item	Drawings	Qty
3B-42a	M6*16	10
3B-42b	M6*16 ^P	8
3B-46		3
3B-48		31
3B-48B		8
3B-49		31
3B-49B		8
3B-51	M4.2*25	312+4
3B-53		6
3B-54	M4.2*25	11
3B-55		2
3B-62	M14*75 M10*100	16
3B-56		2
3B-57		8
3B-58		1
3B-59	M5*20	2

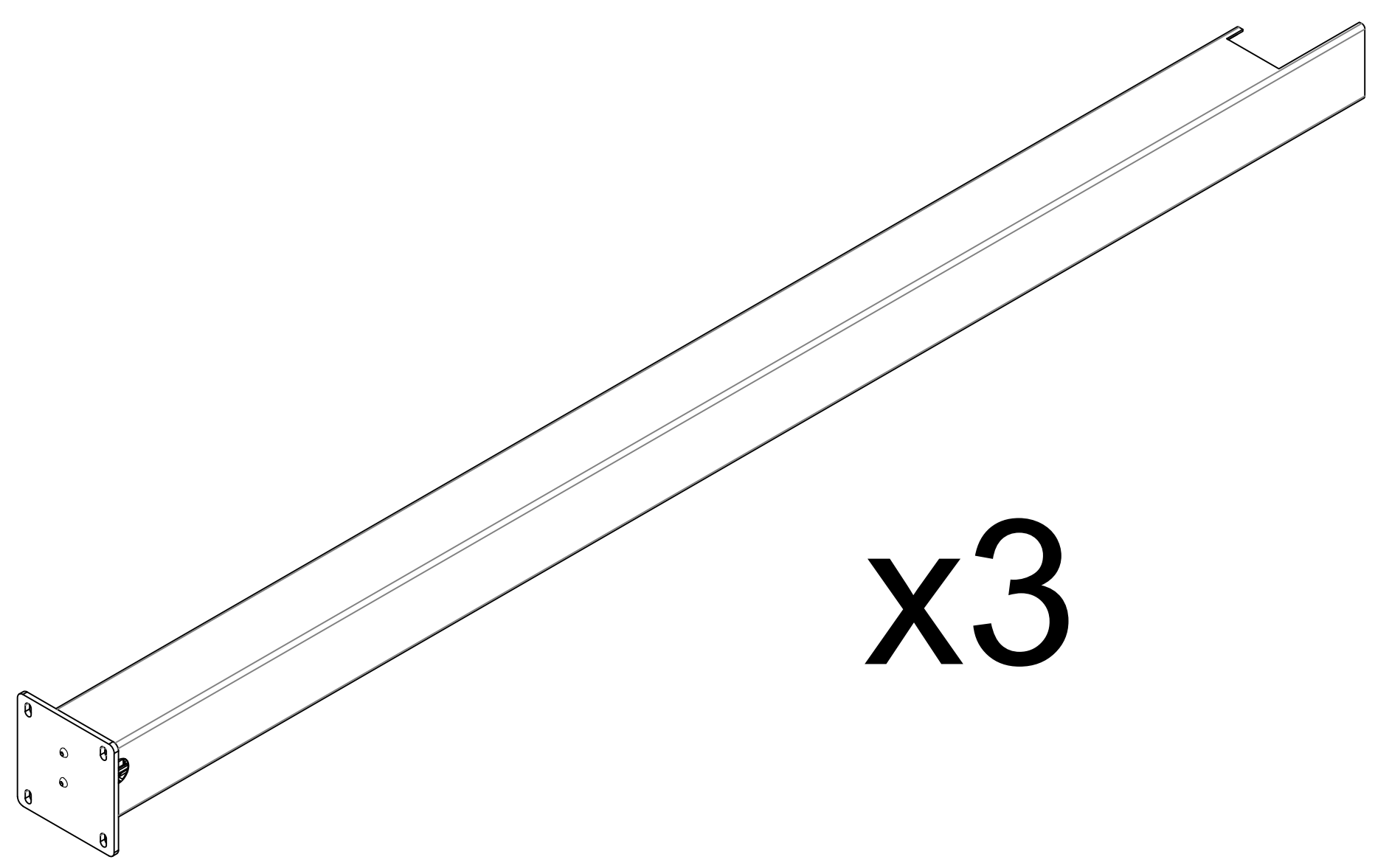
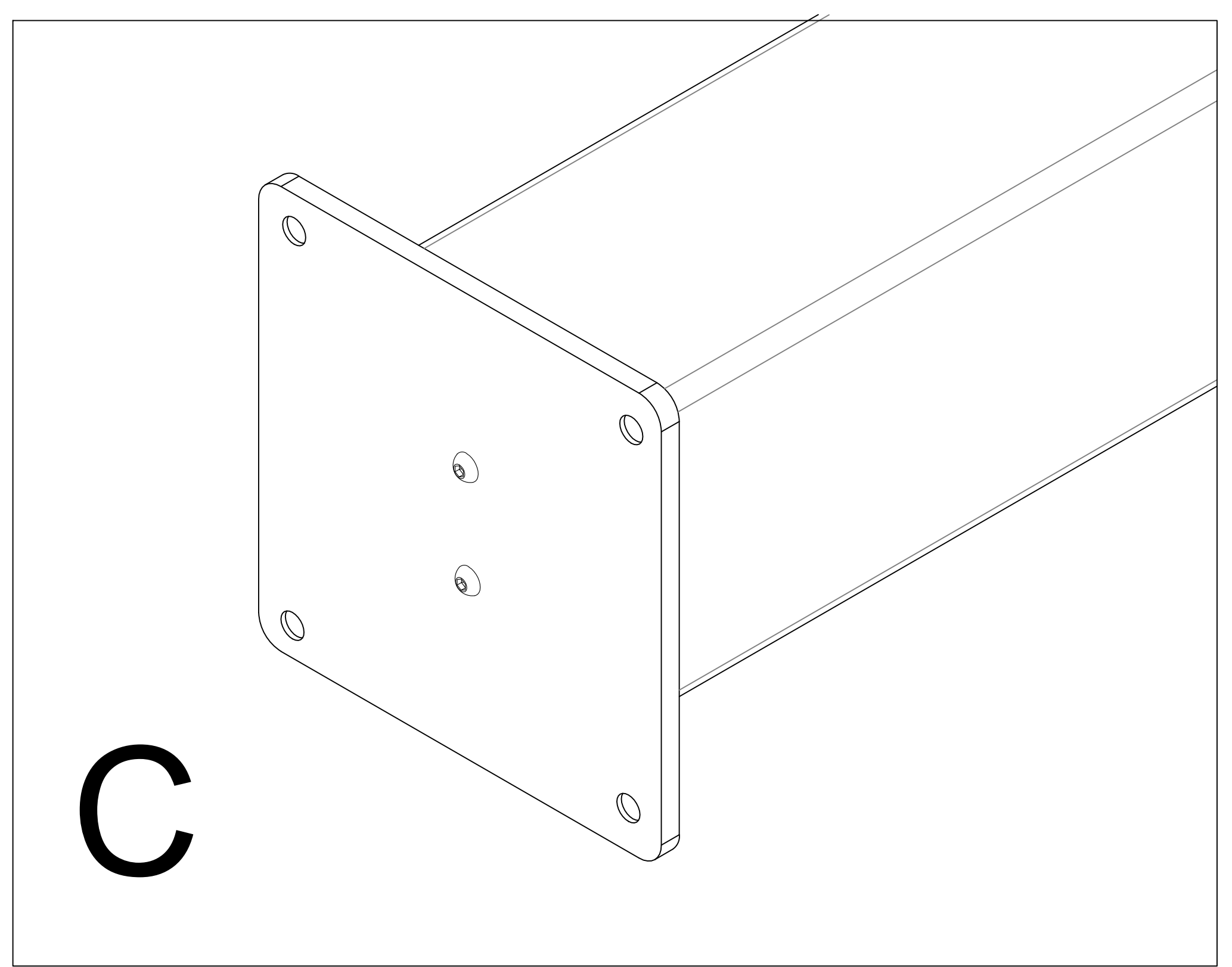
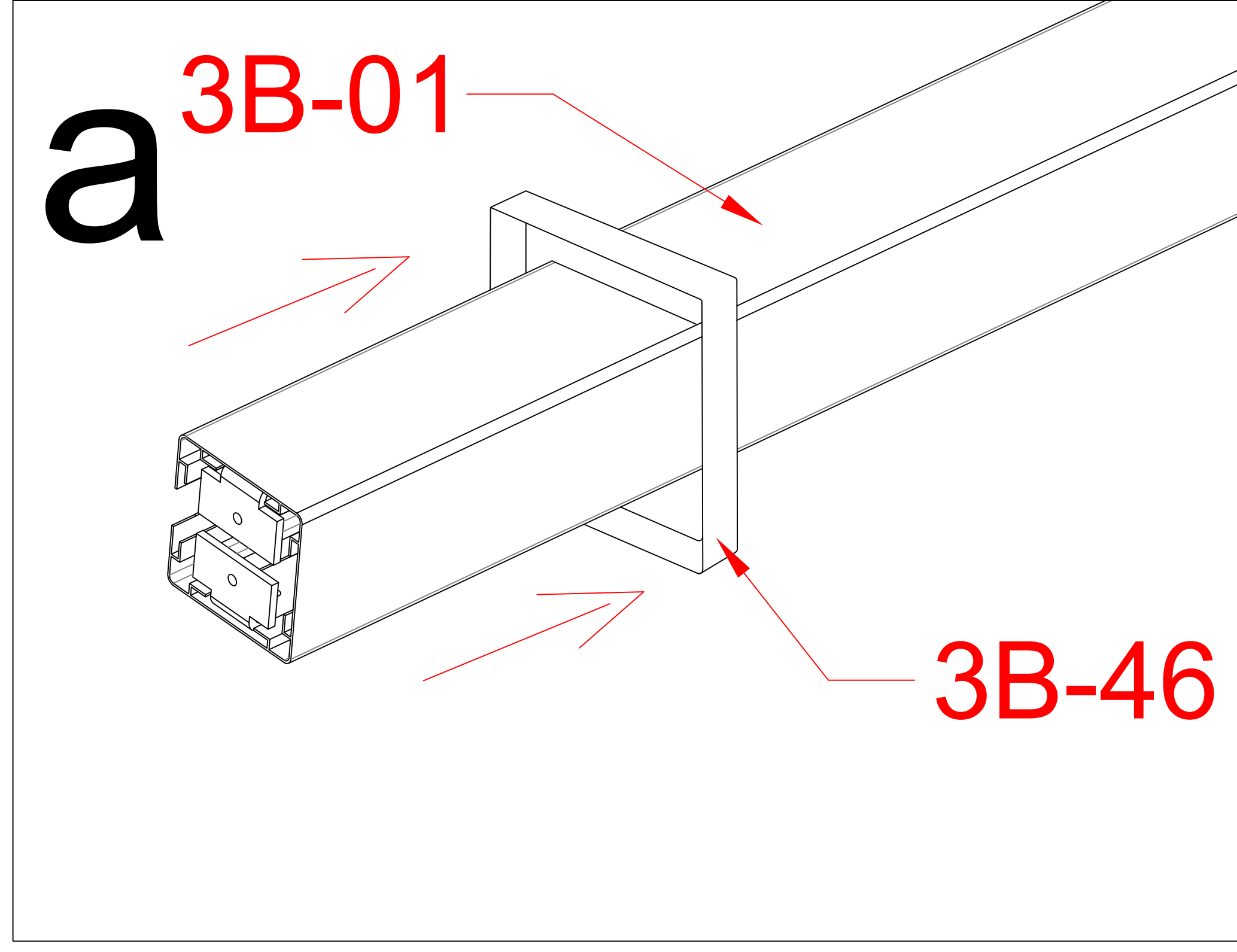
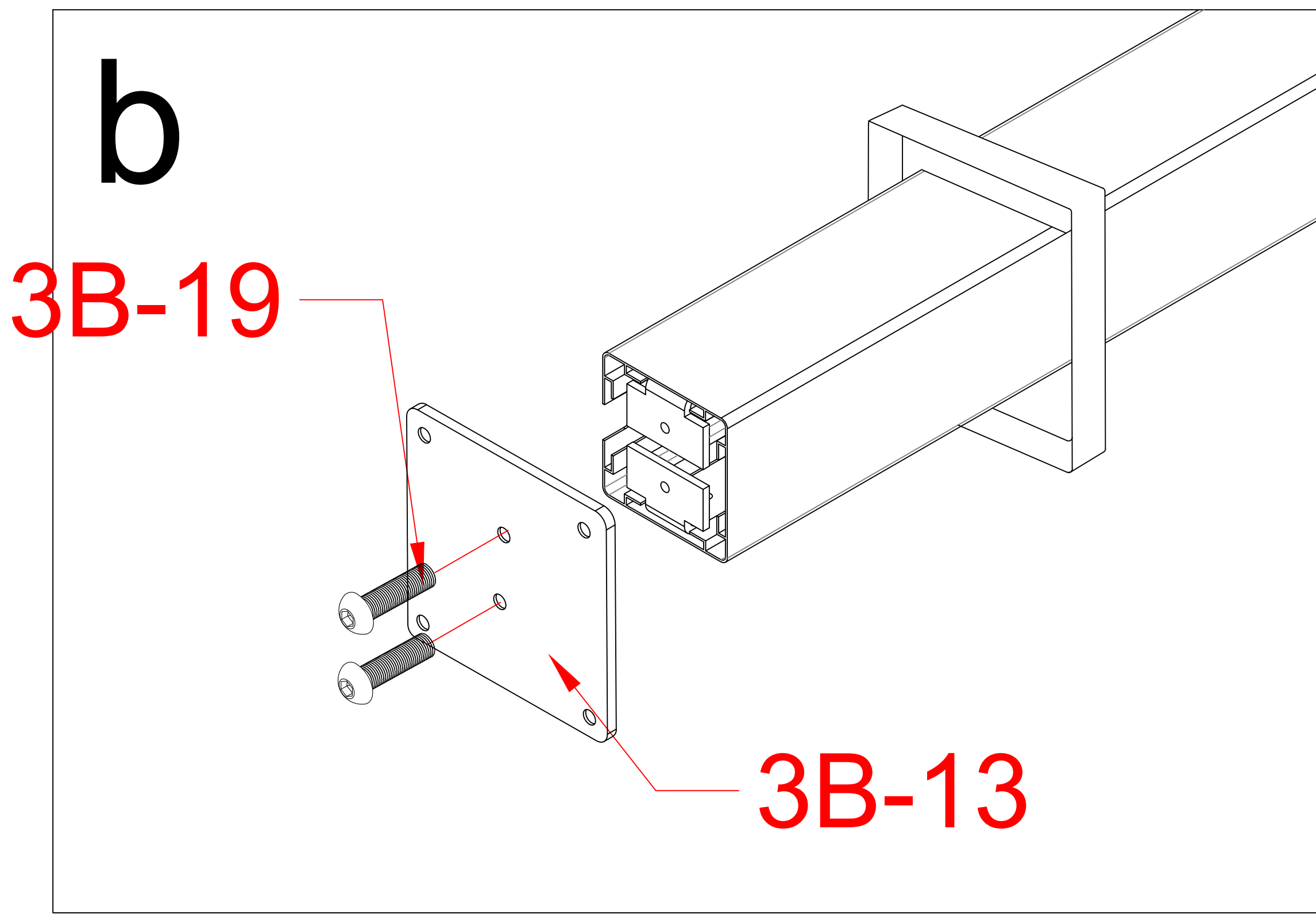
Item	Drawings	Qty
3B-60		2
3B-61		1
3B-39	M8*100	16
3B-45	M8*10	12
3B-45B		4
3B-52B		1
3B-32		1
3B-33		1
3B-26		2



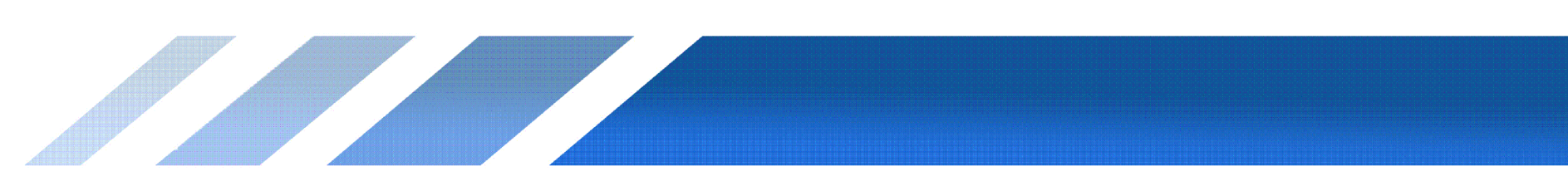


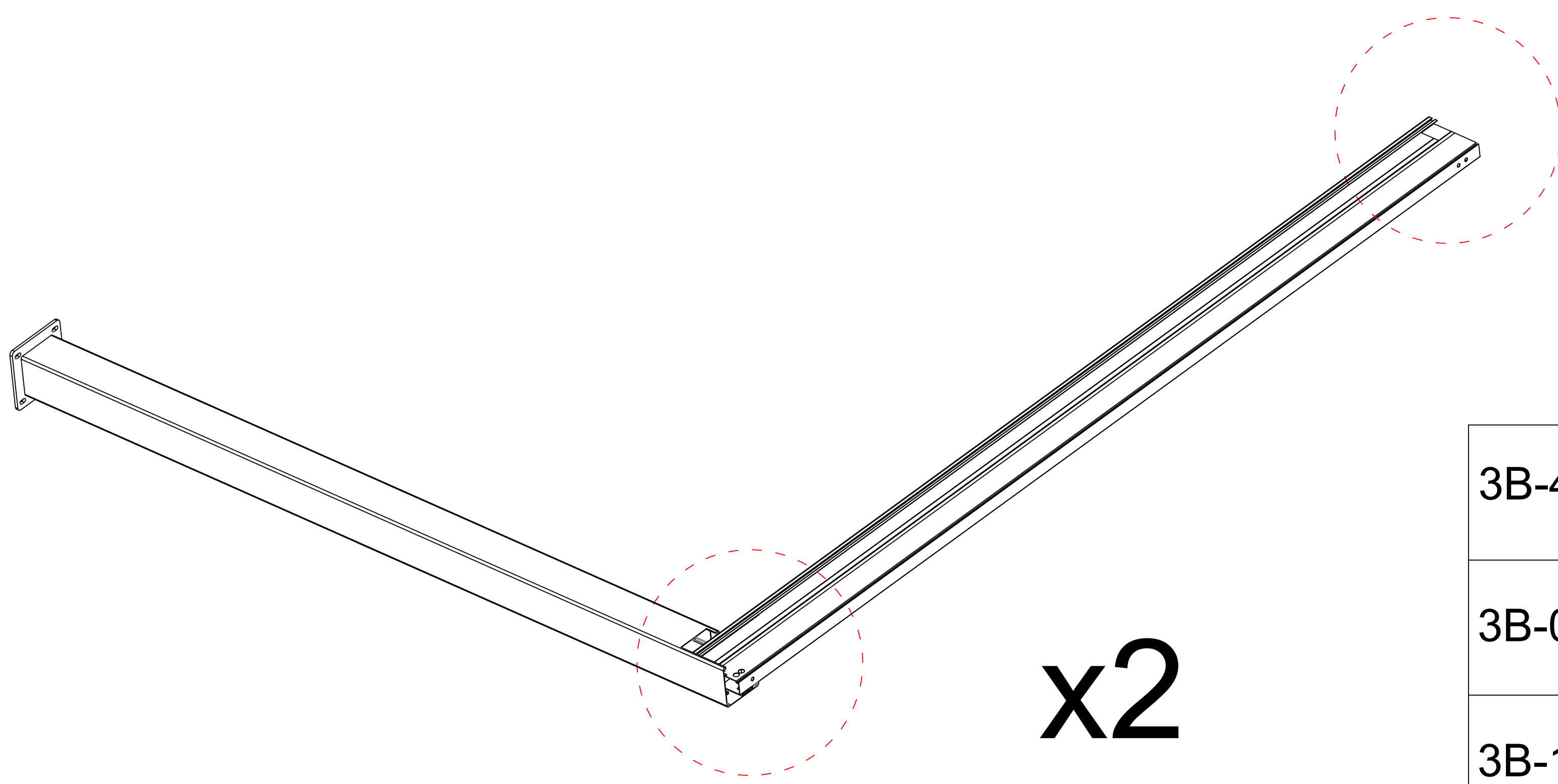
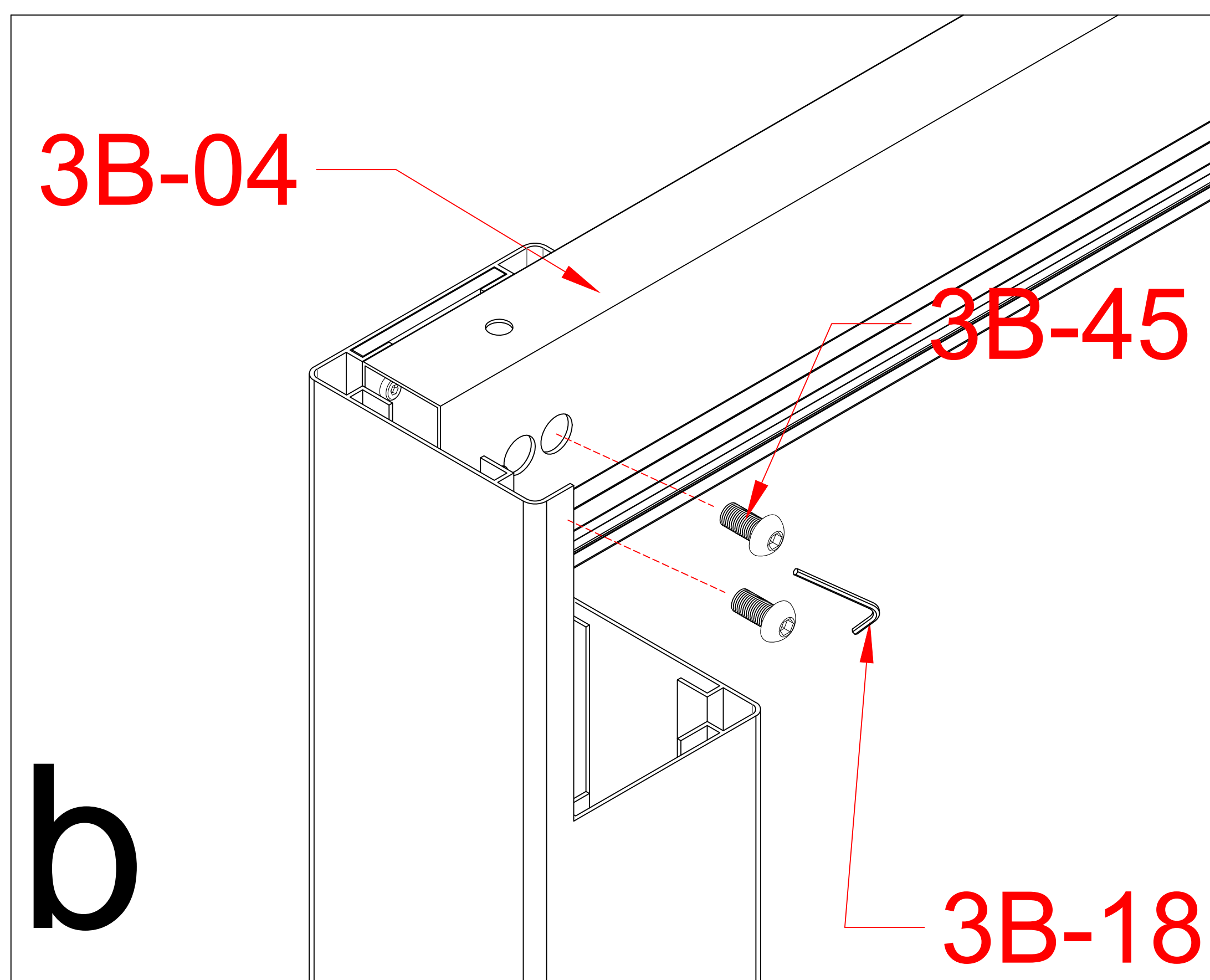
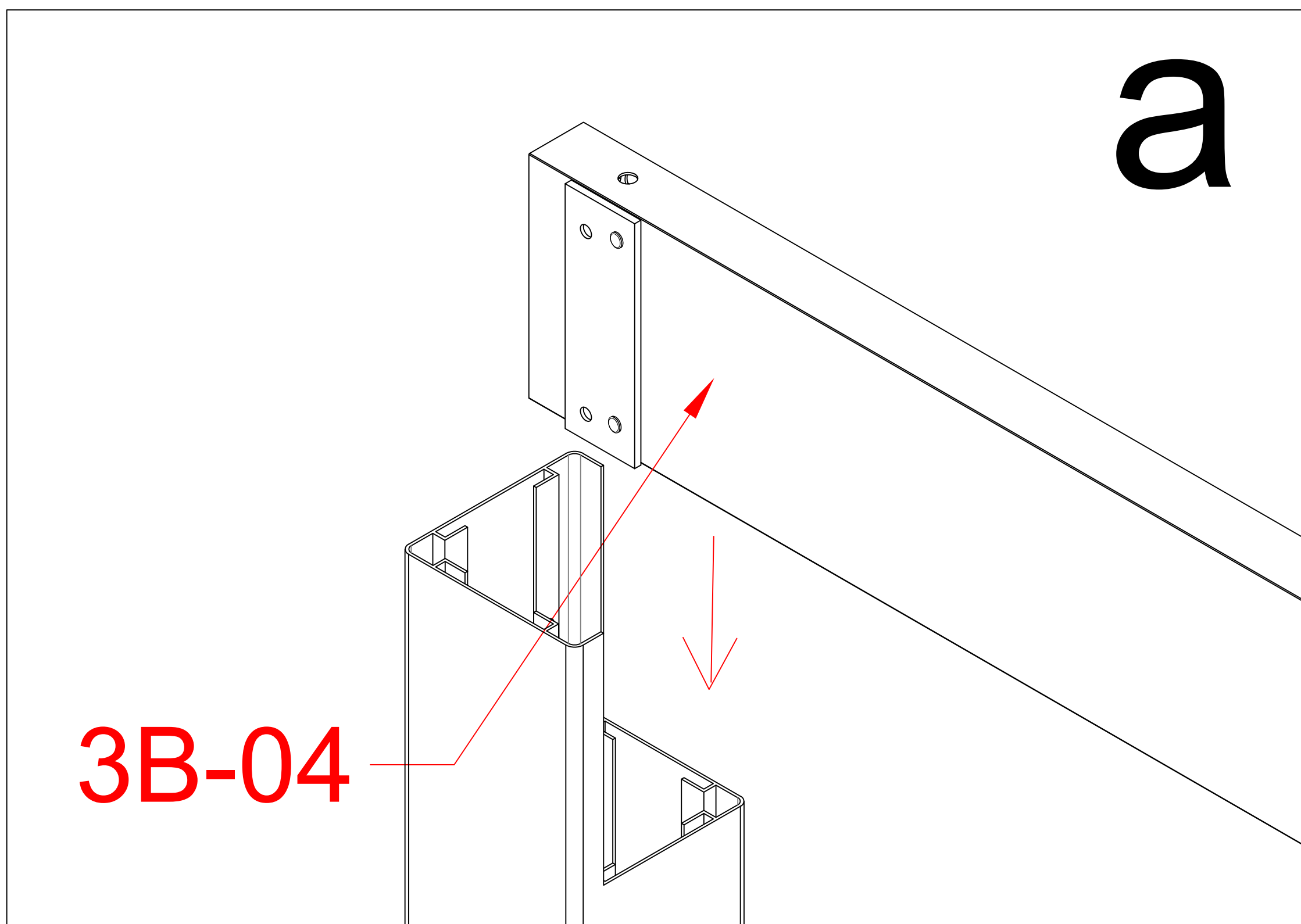


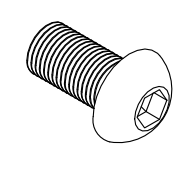


During the installation process, if you encounter any uncertainties, please refer to the installation instructions on the product page of the website.

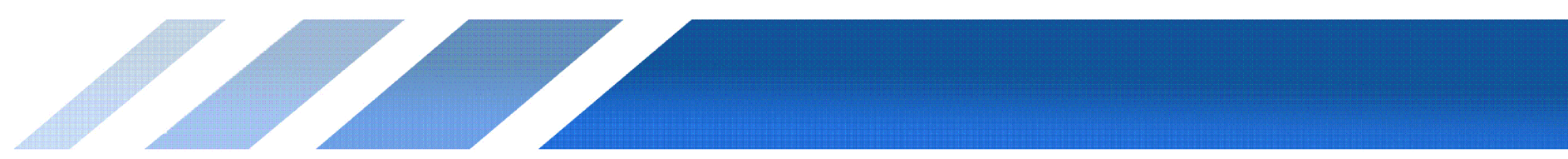


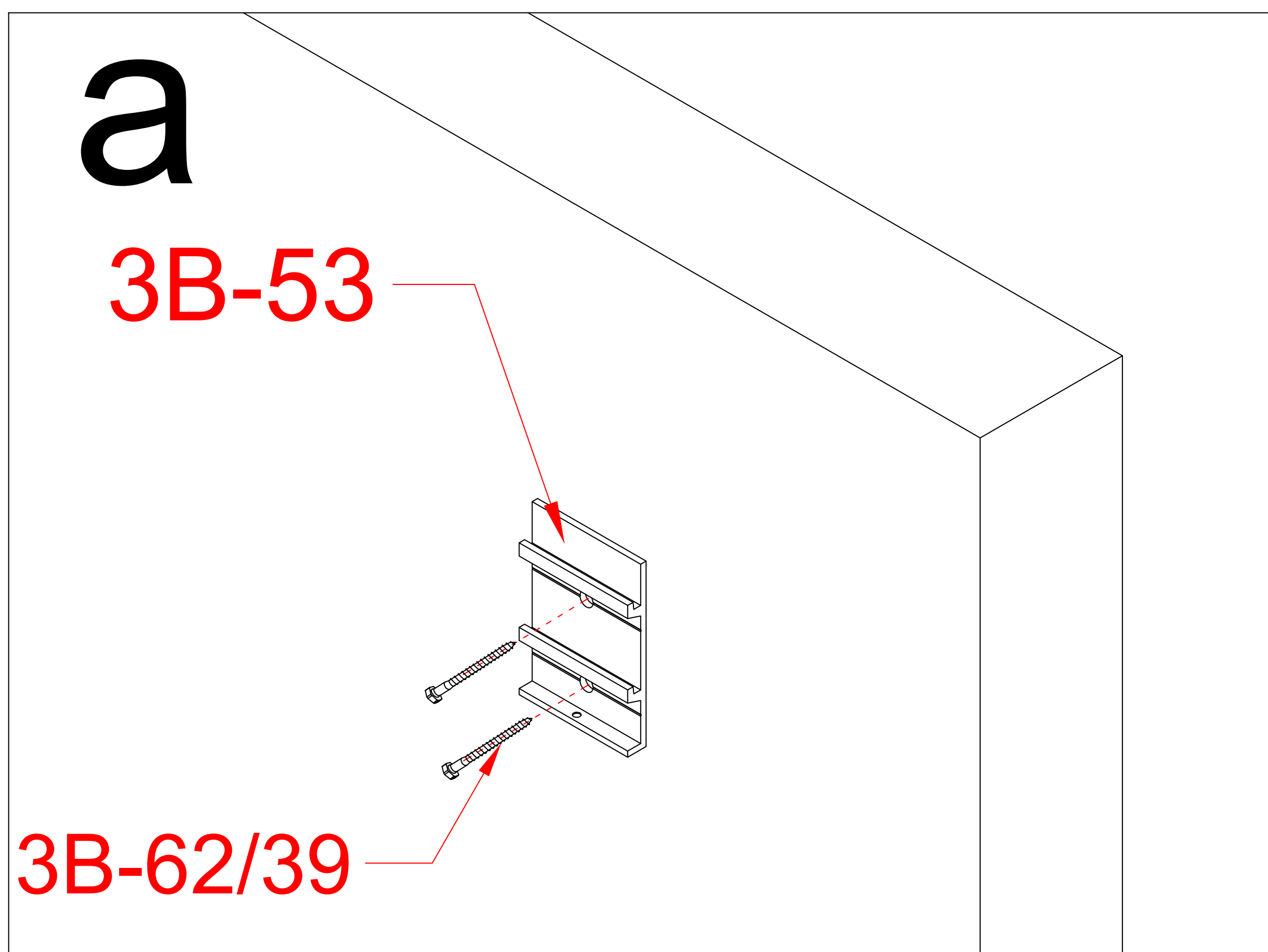
3B-27		1
3B-46		3
3B-01		2
3B-13		3
3B-19		6



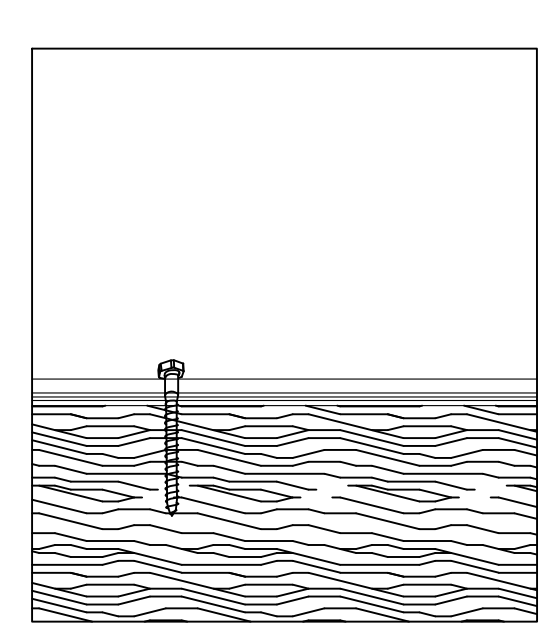
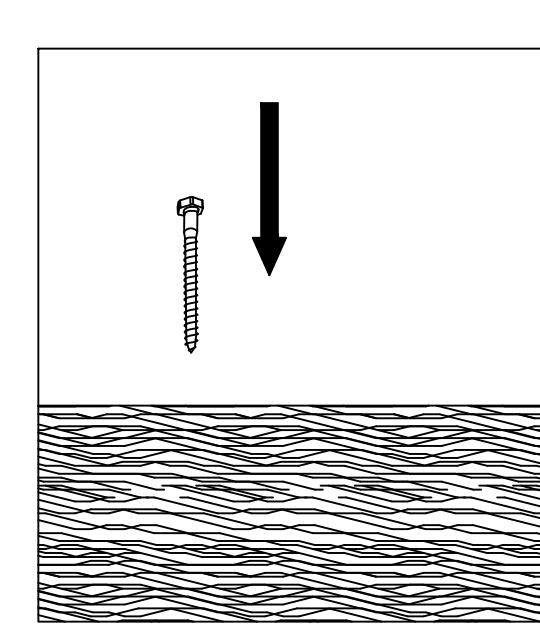


3B-45	 M8*10	4
3B-04		2
3B-18		1

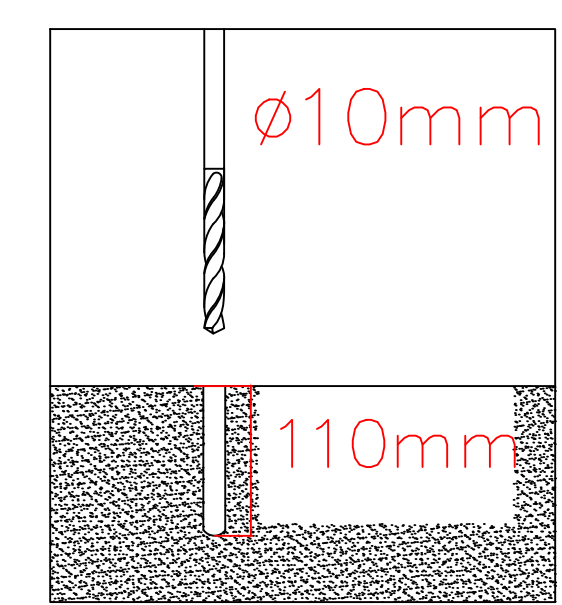




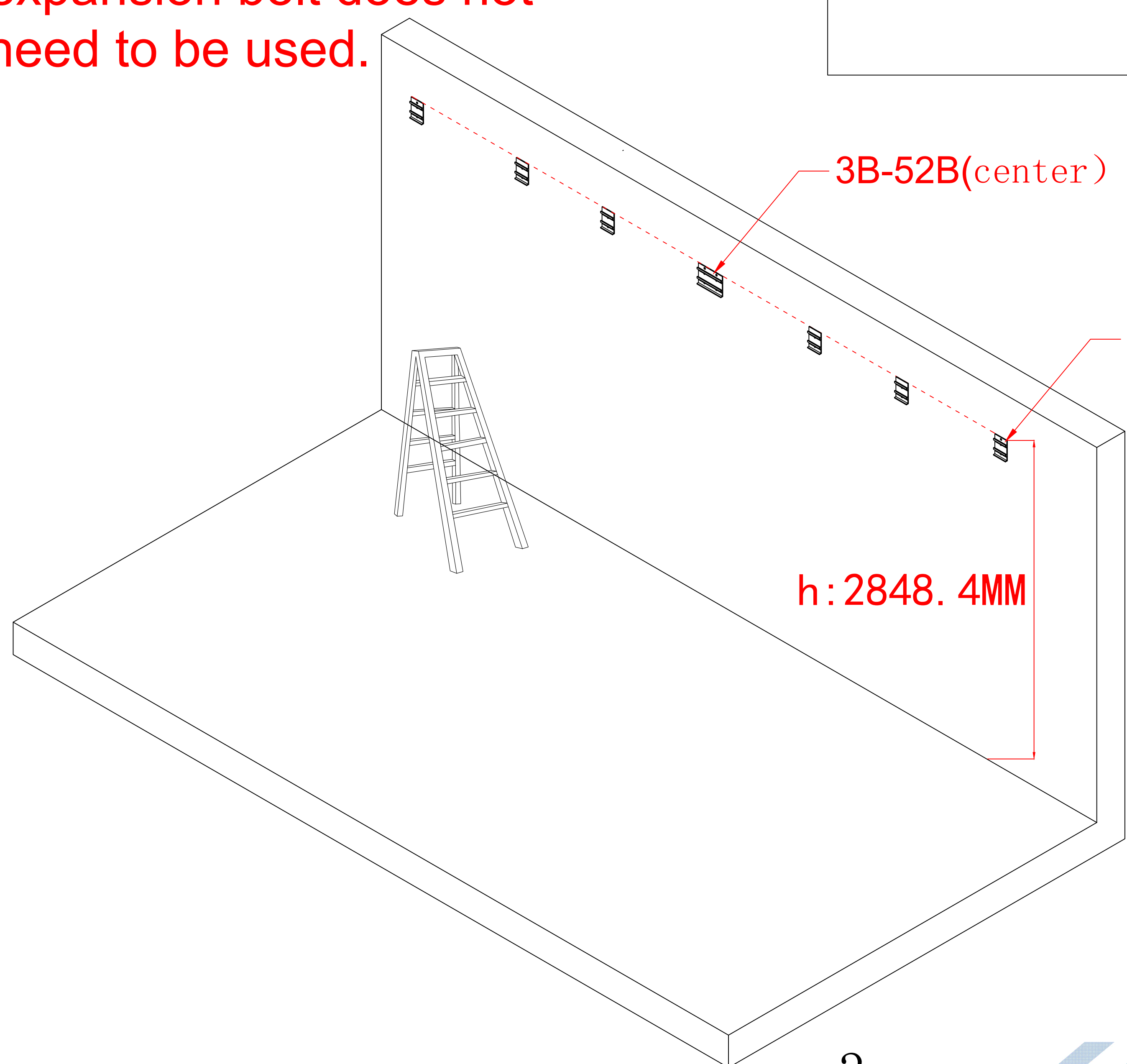
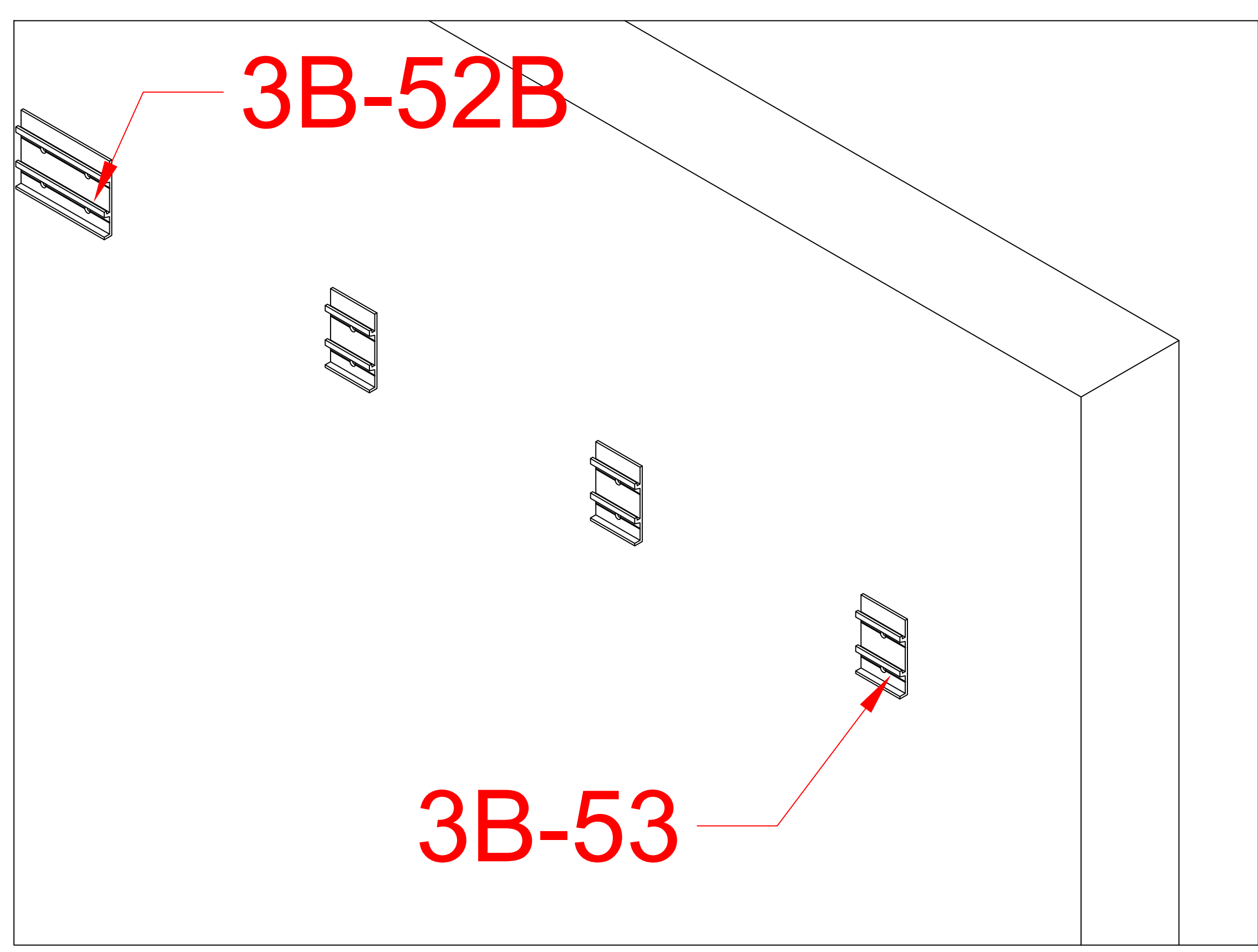
3B-62:

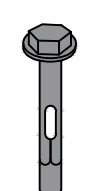
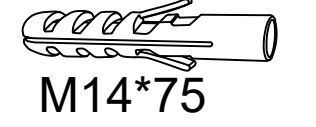
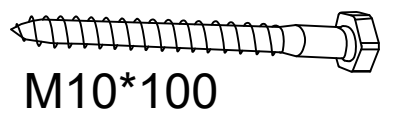
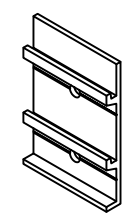
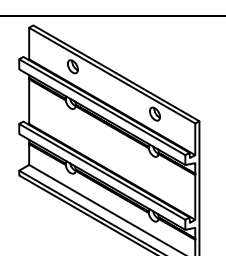


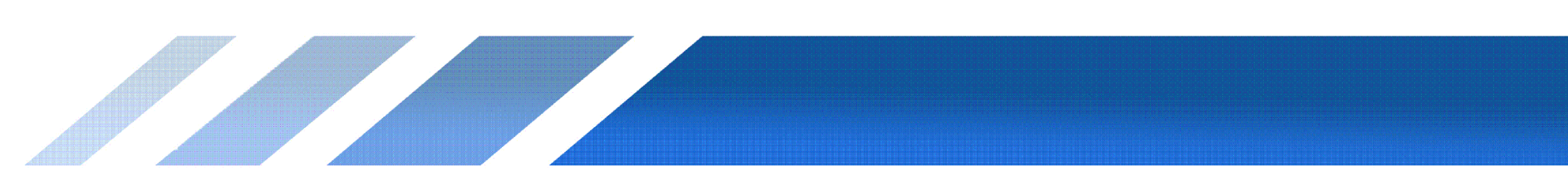
3B-39:

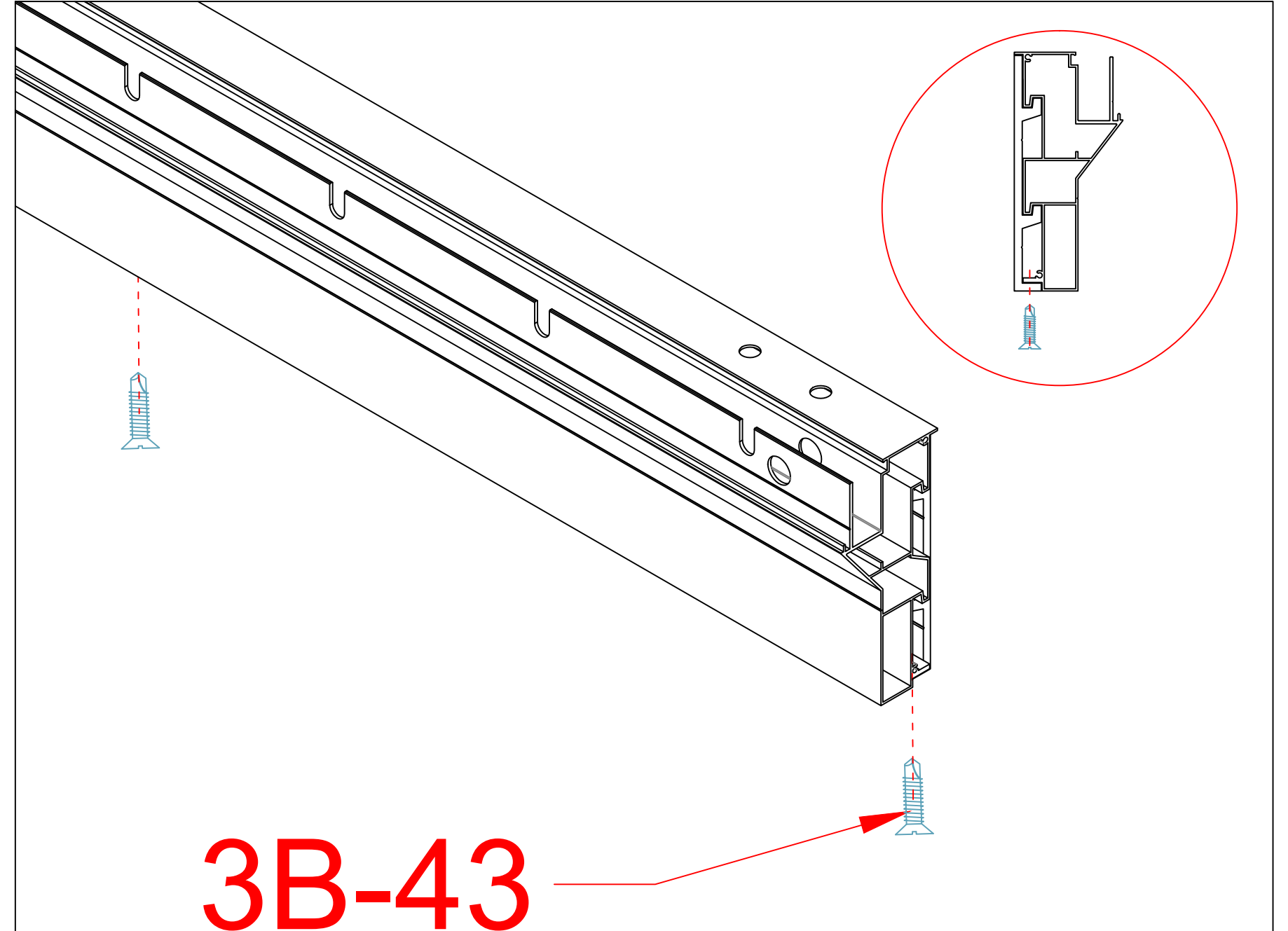
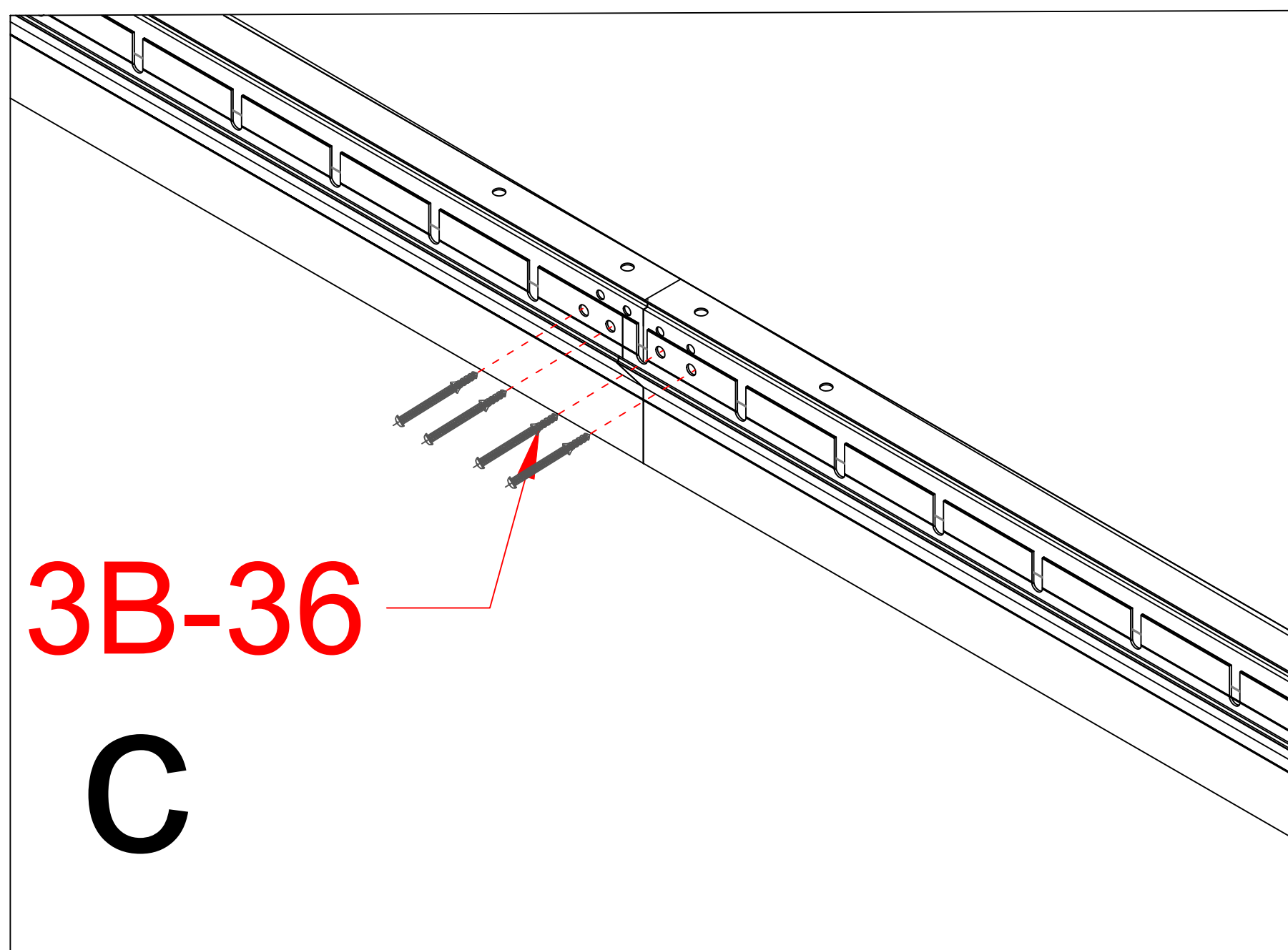
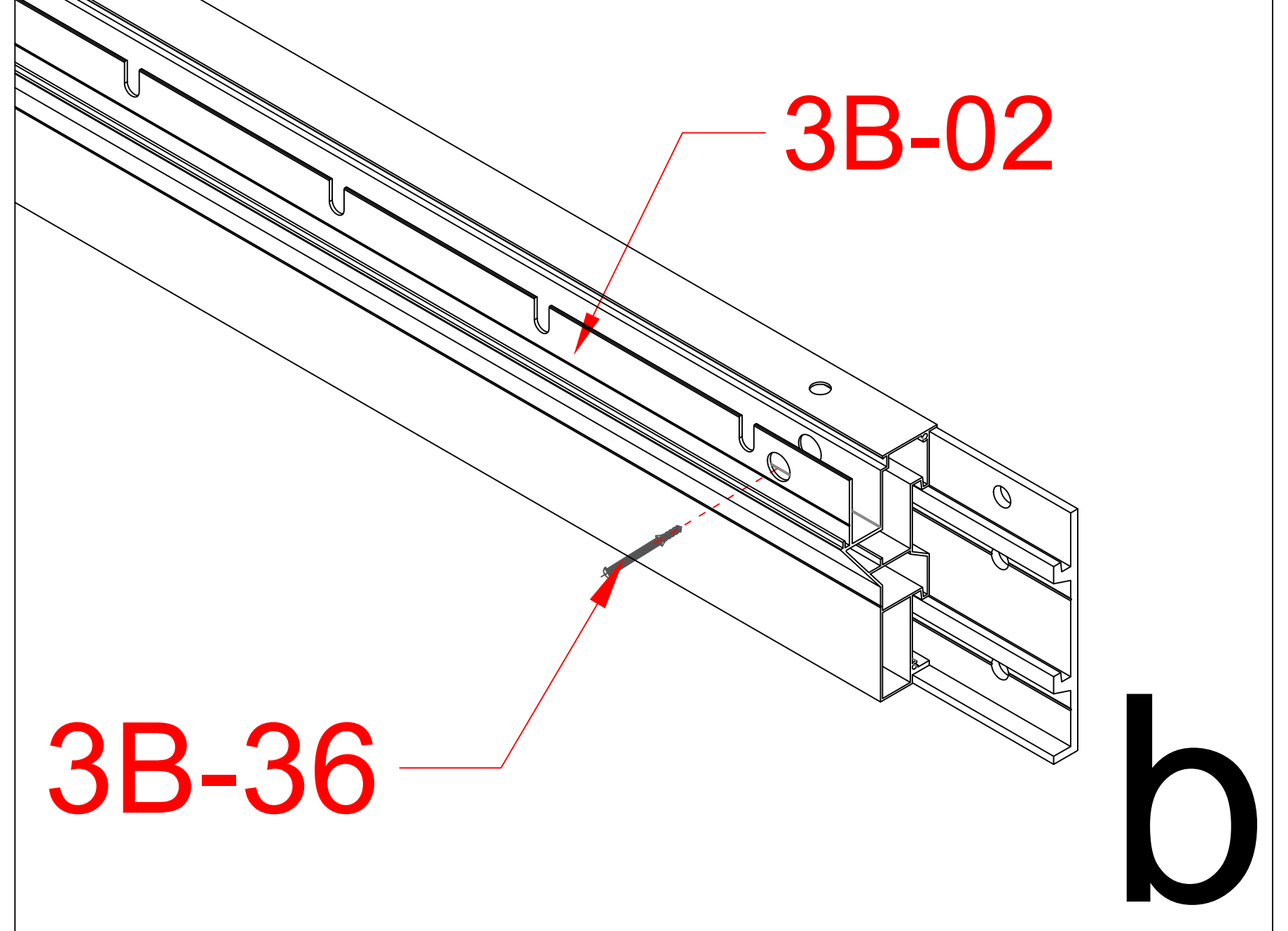
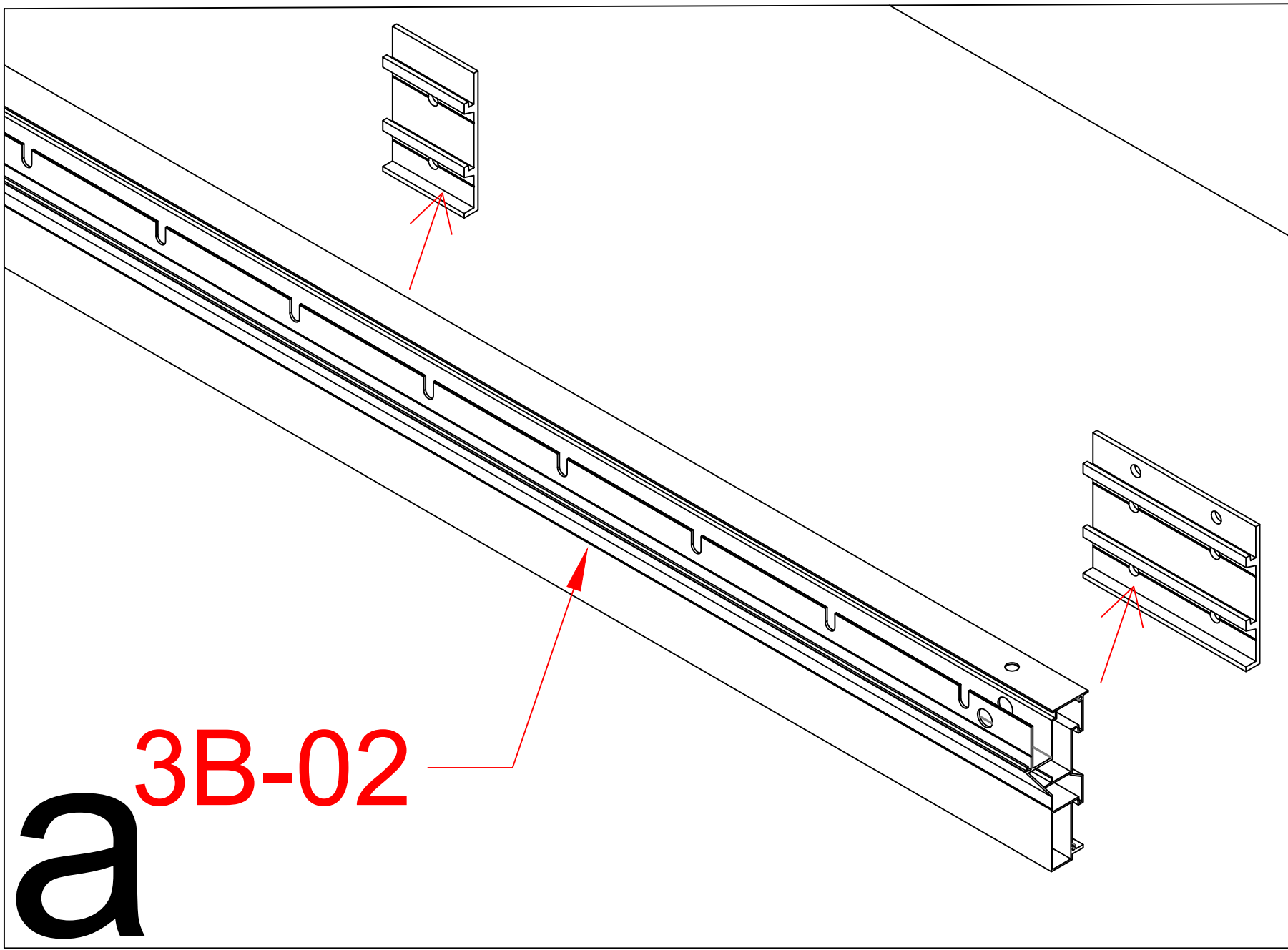


- Attention:**
1. Before installing here, please ensure that the wall is flat
 2. If it is a wooden wall, please use 3B-62, and if it is the Cement wall, please use 3B-39
 3. When installing on wooden walls, cap for expansion bolt does not need to be used.

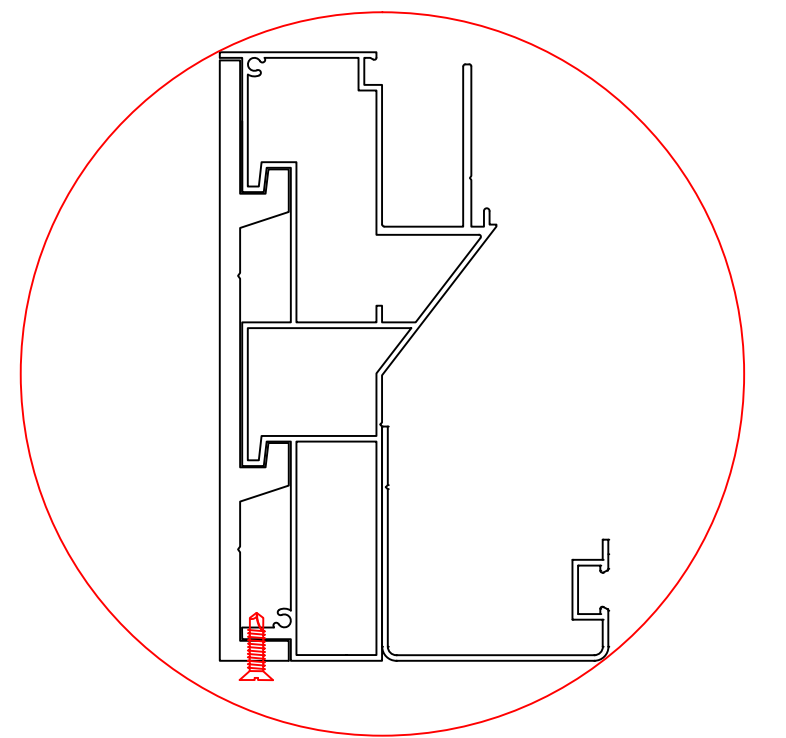
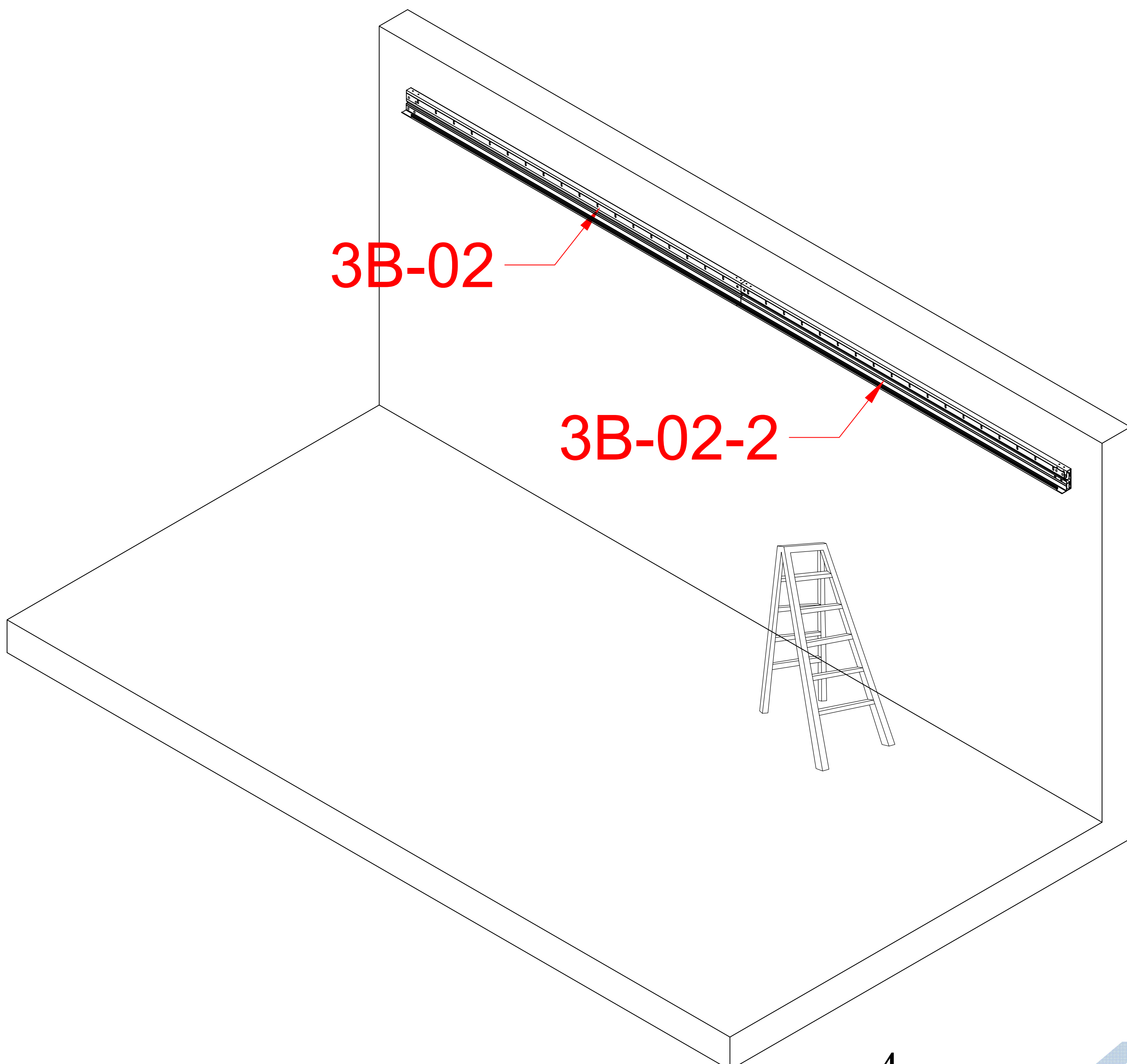


3B-39	 M8*100	16
3B-62	 M14*75  M10*100	16
3B-53		6
3B-52B		1

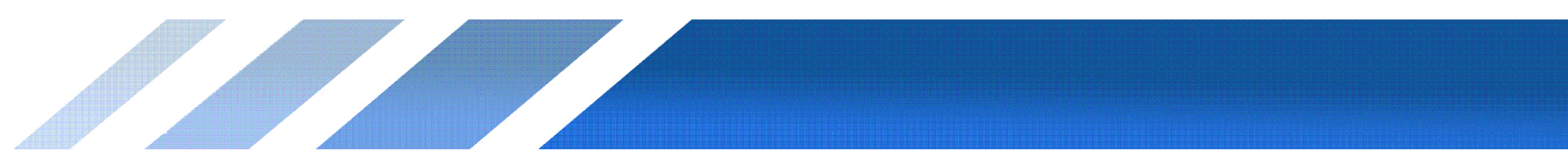


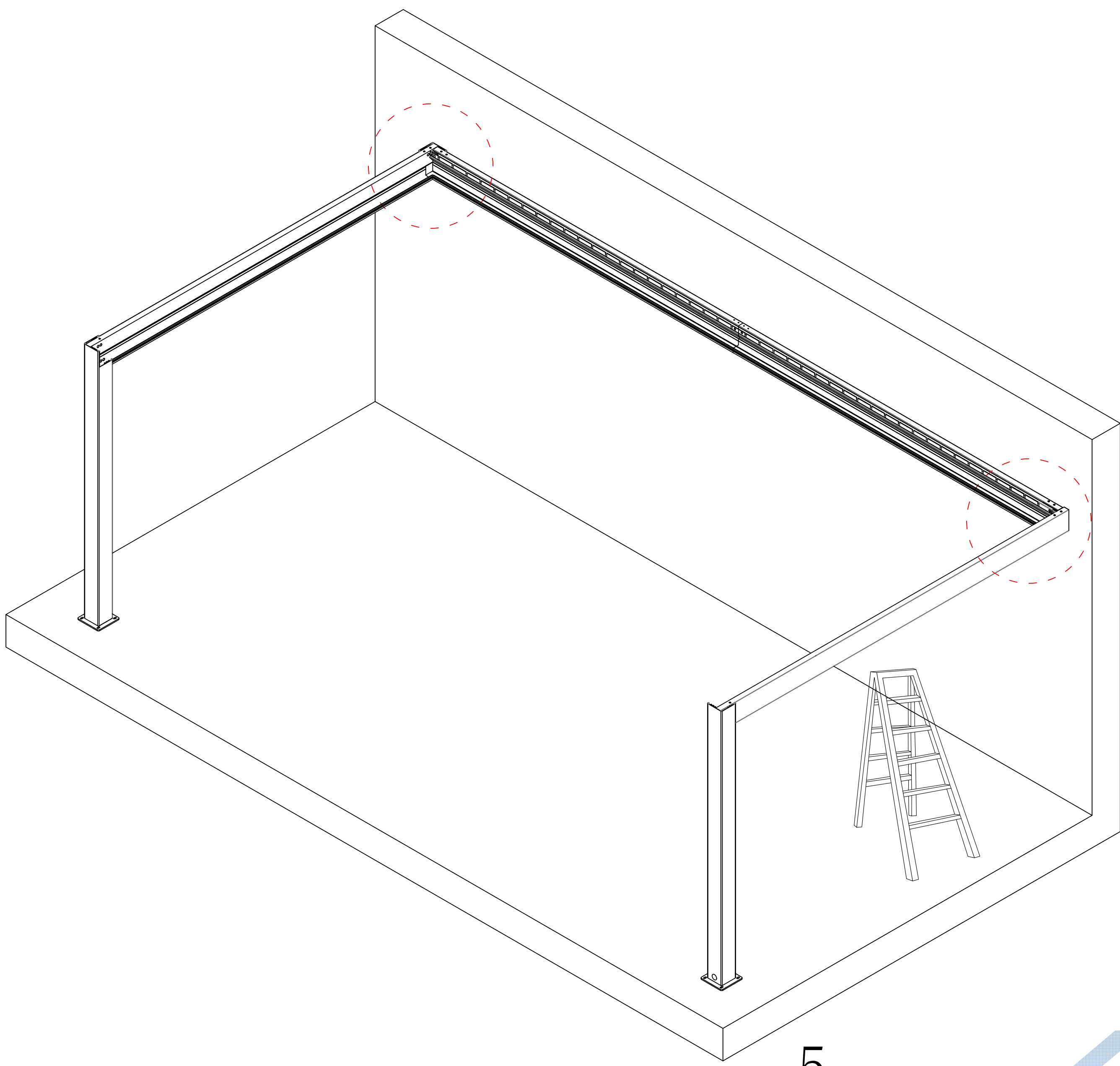
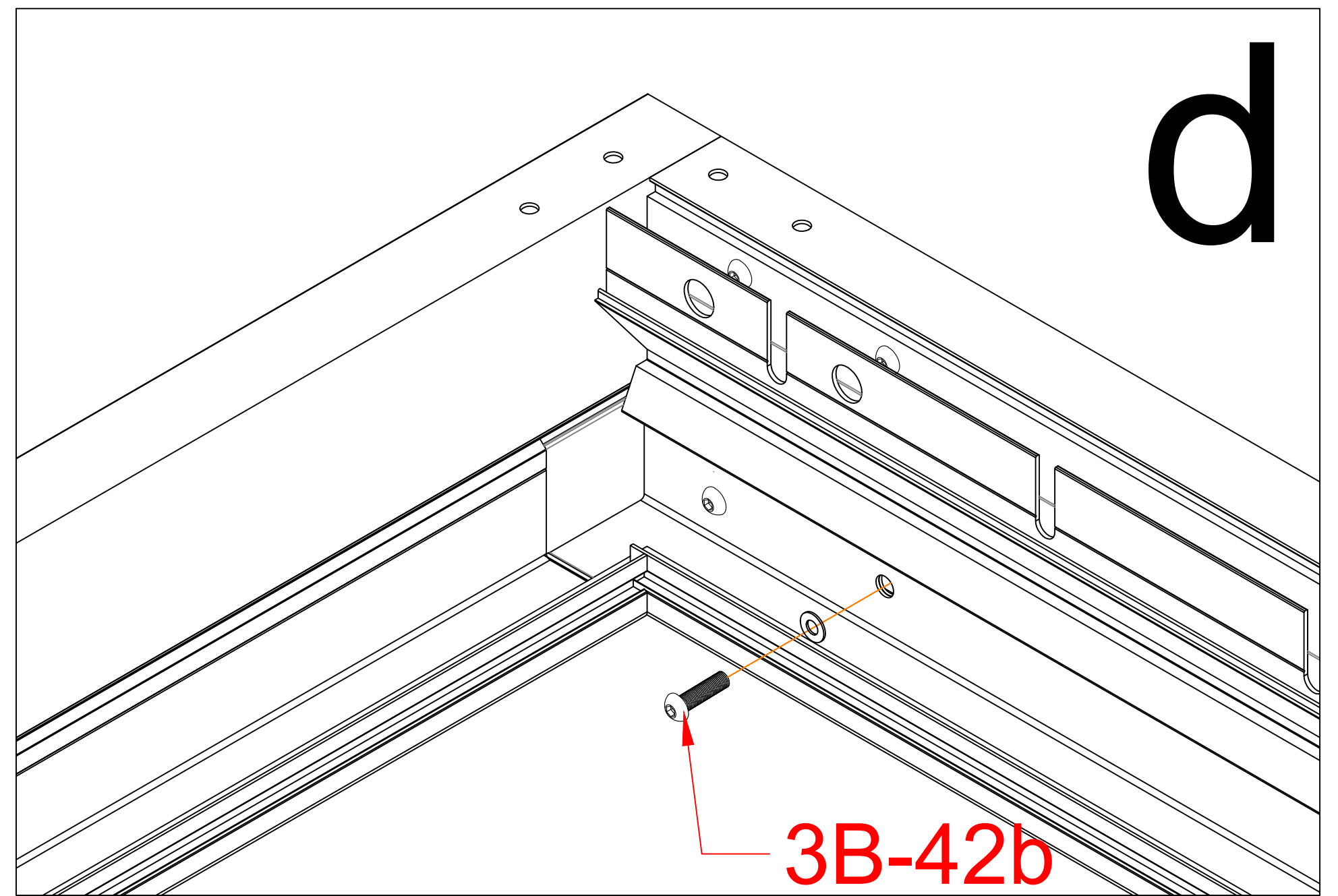
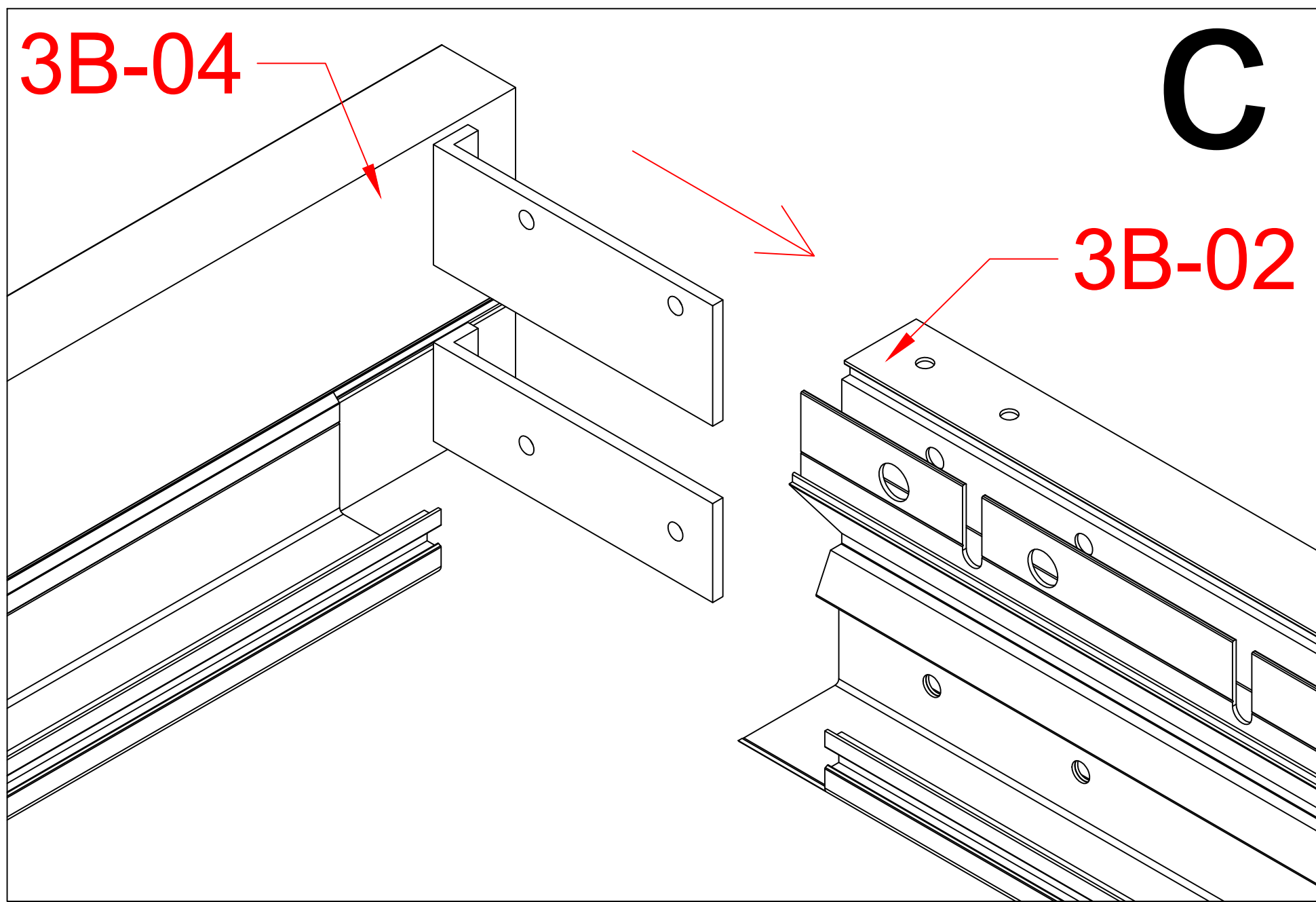
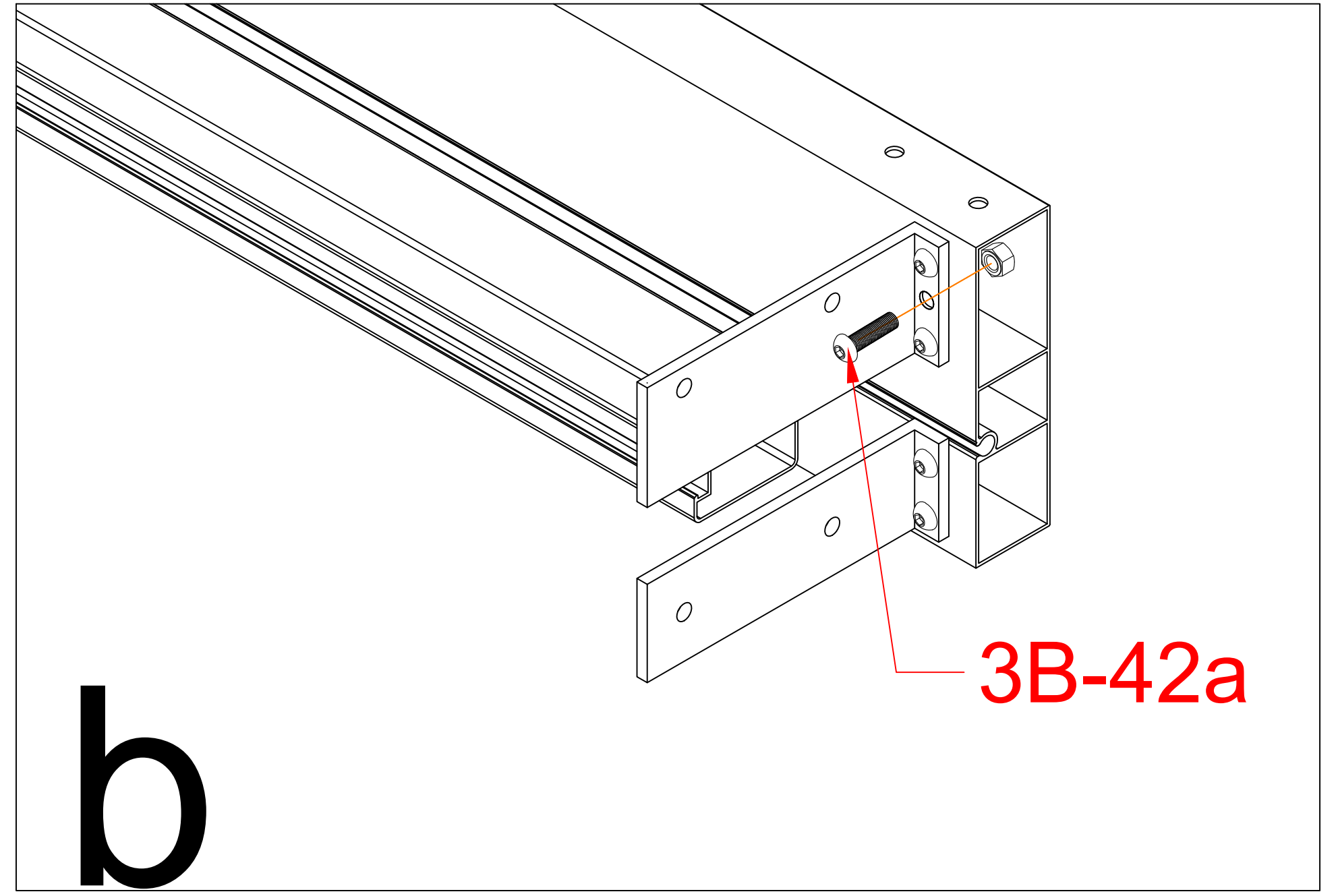
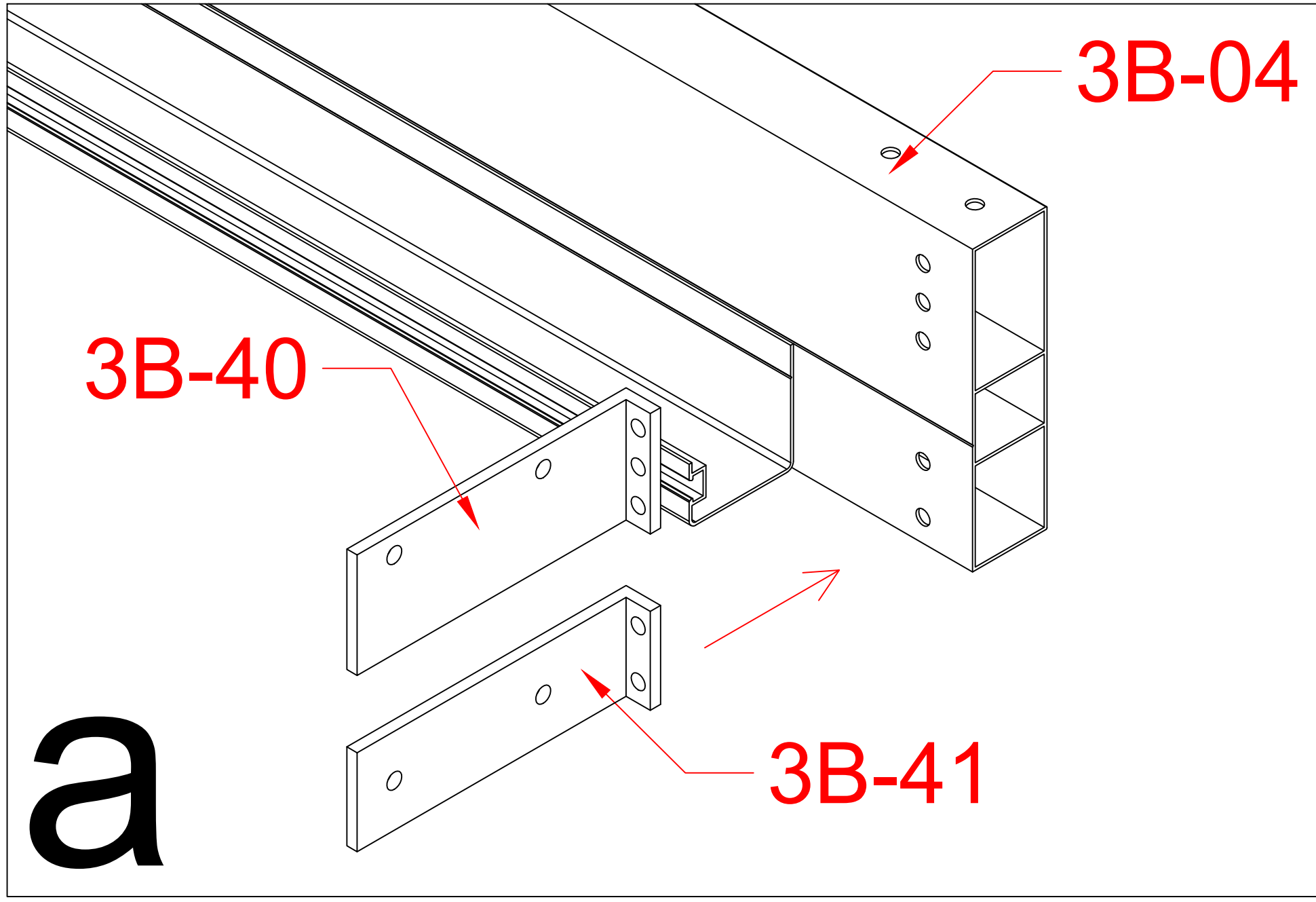


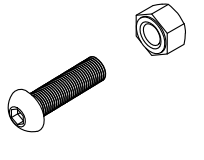
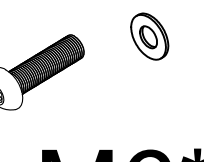
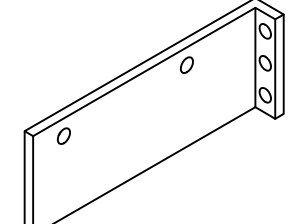
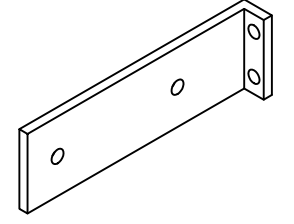
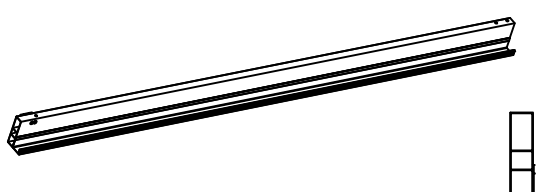
If your wooden wall does not have a wooden frame here, please use Wood screen-2: M8 * 20

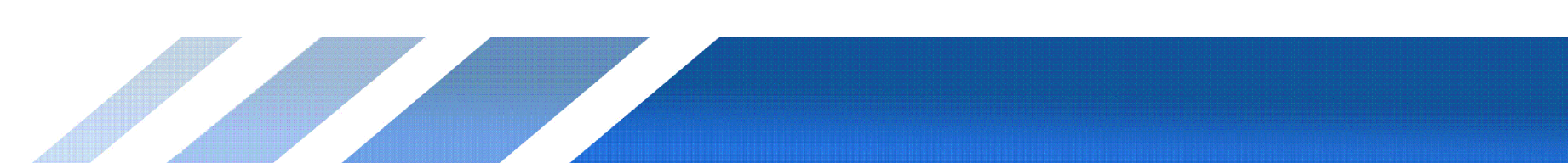


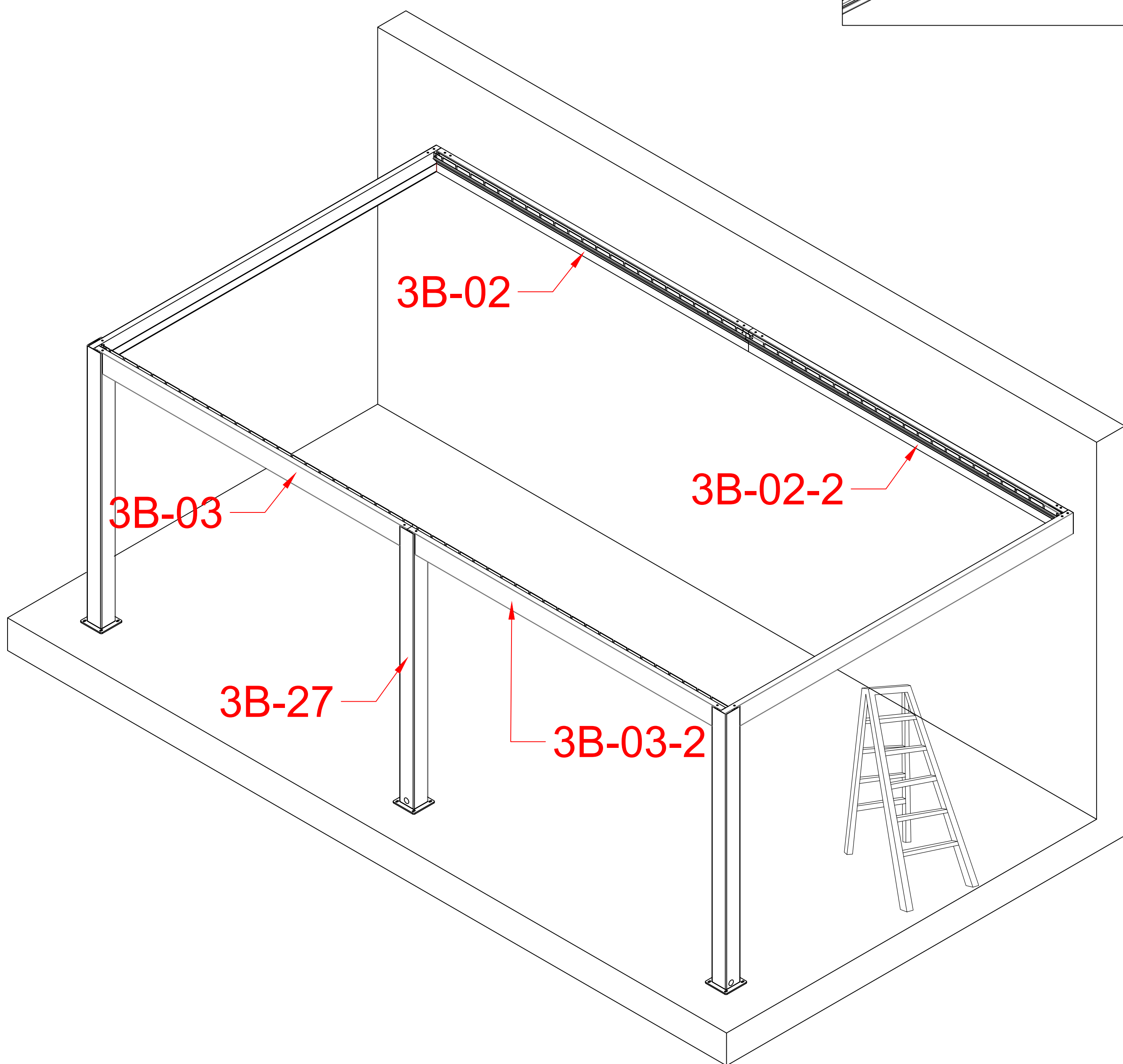
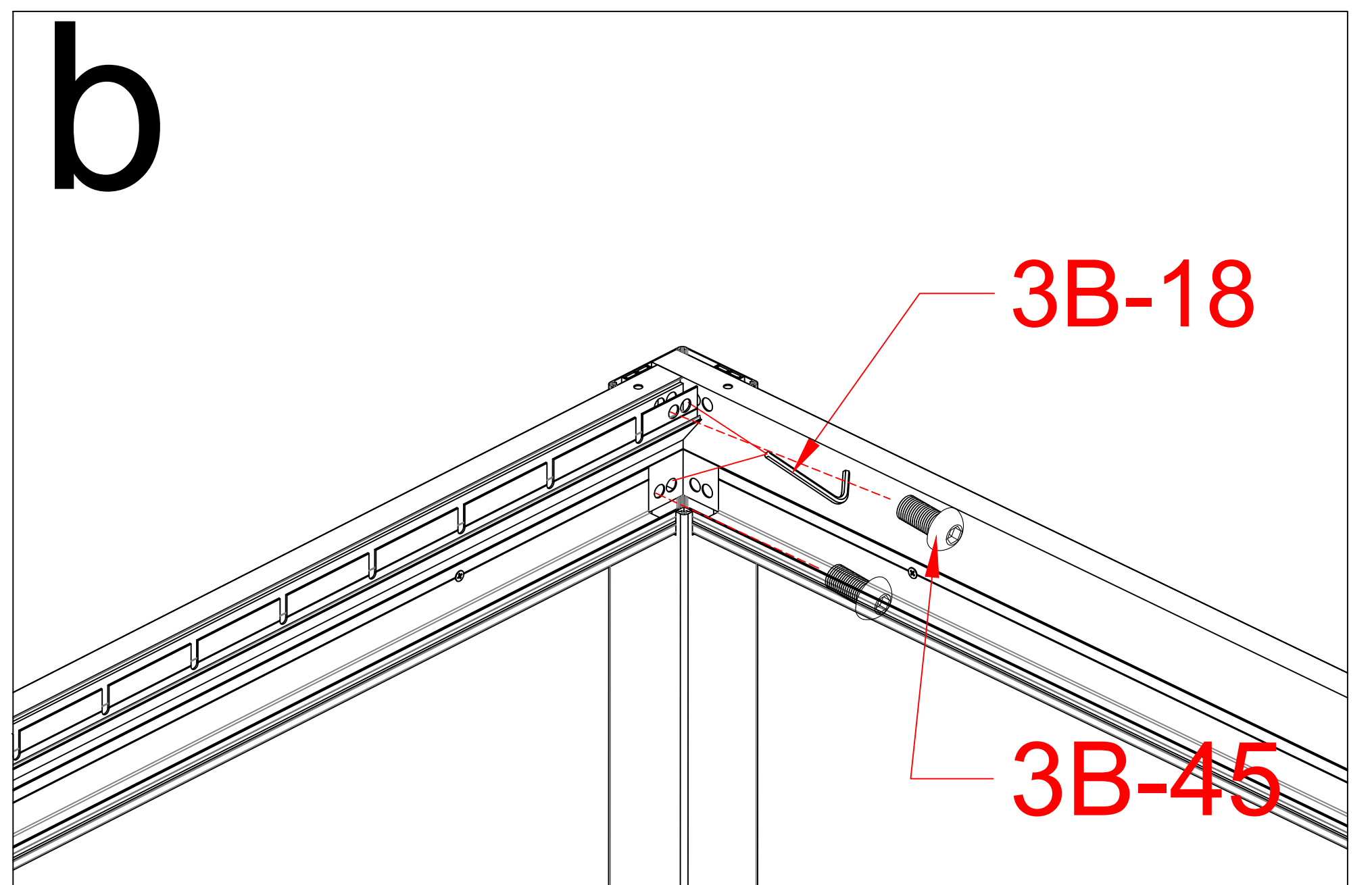
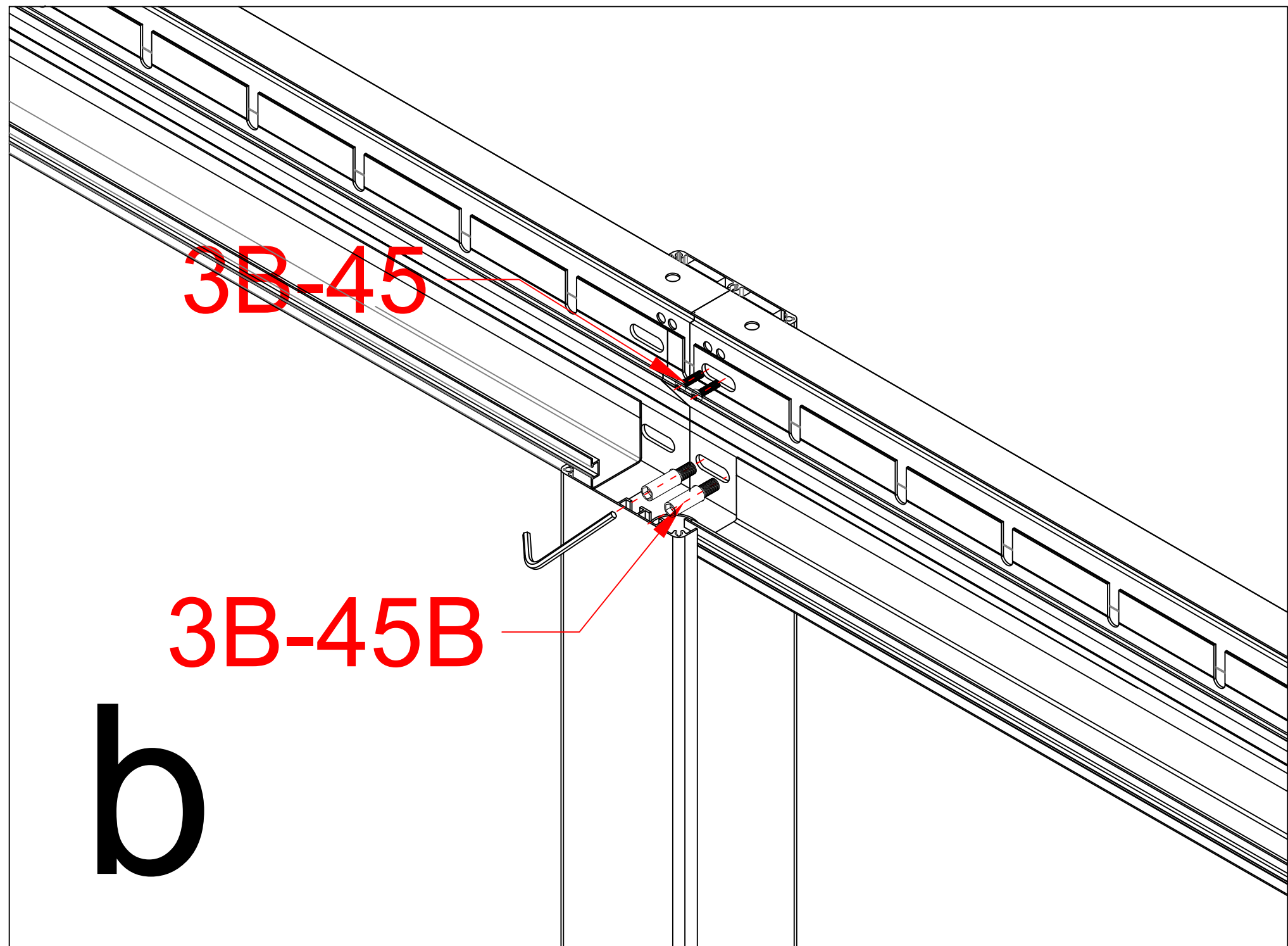
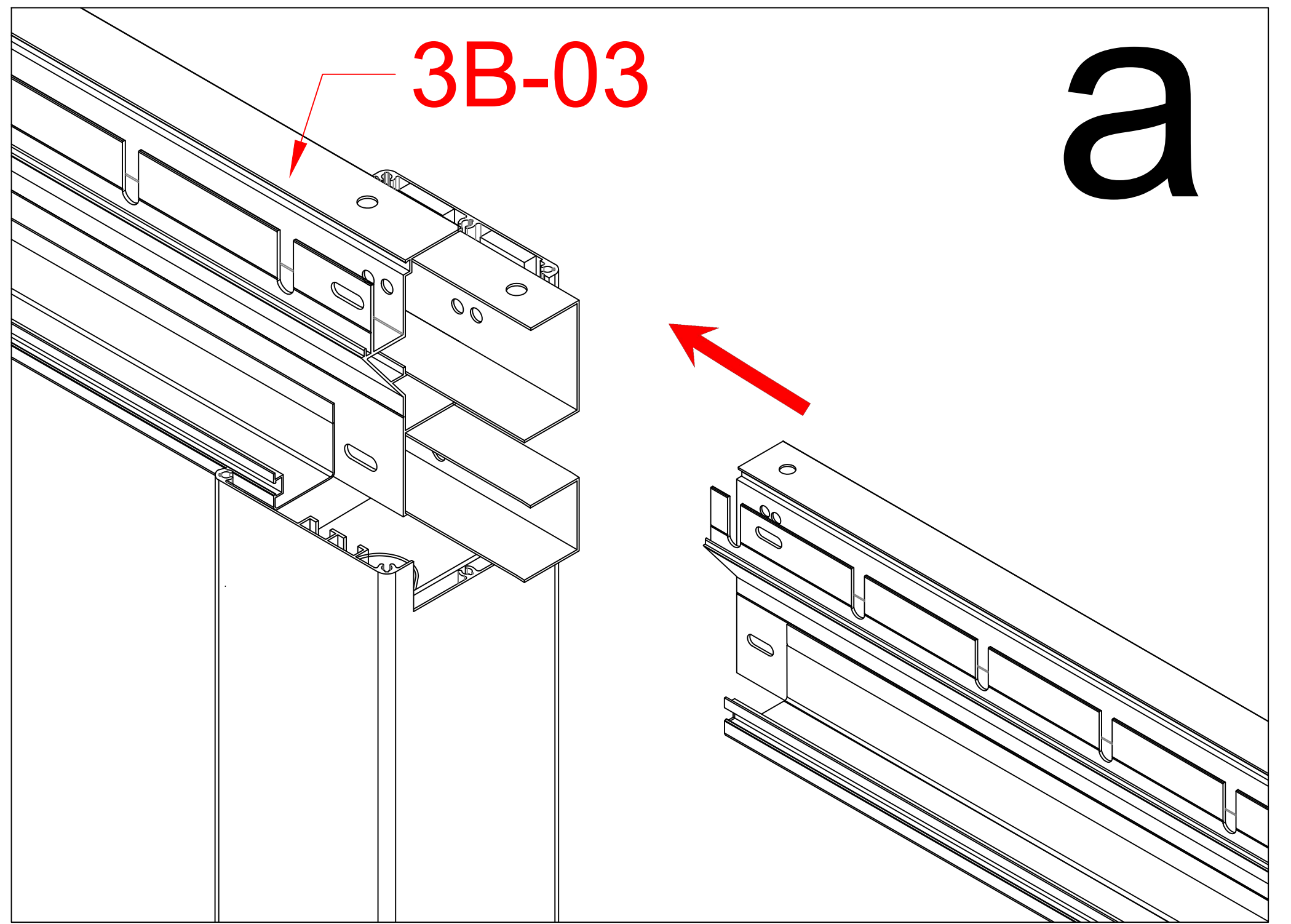
3B-36	Cement wall screw M8*80	Wood screw-1 M8*60	Wood screw-2 M8*20 Additional accessories	4
3B-02				1
3B-02-2				1
3B-54	M4.2*25			11



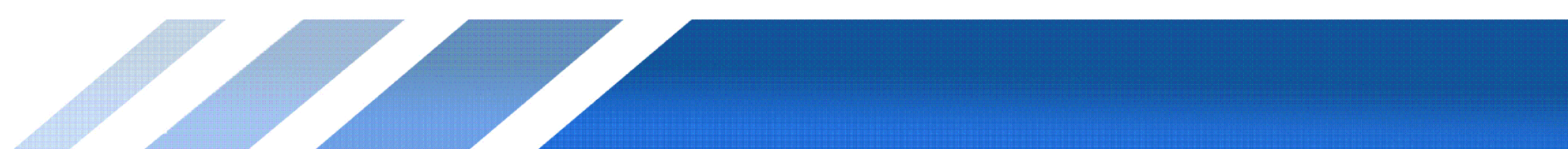


3B-42a	 M6*16	10
3B-42b	 M6*16 P	8
3B-40		2
3B-41		2
3B-04		2





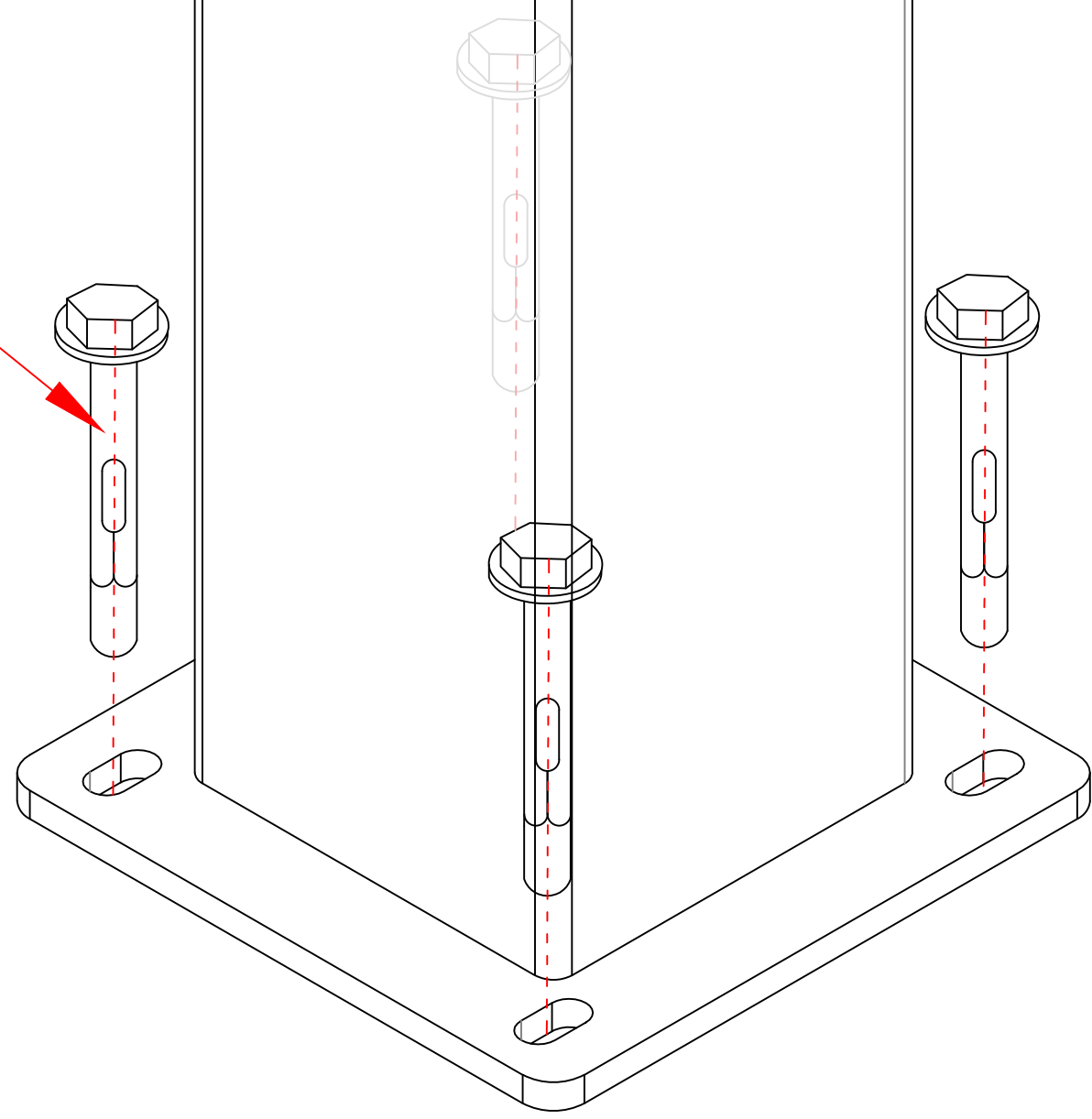
3B-27		1
3B-45B		4
3B-45		8
3B-32		1
3B-33		1
3B-03		1
3B-03-2		1
3B-18		1



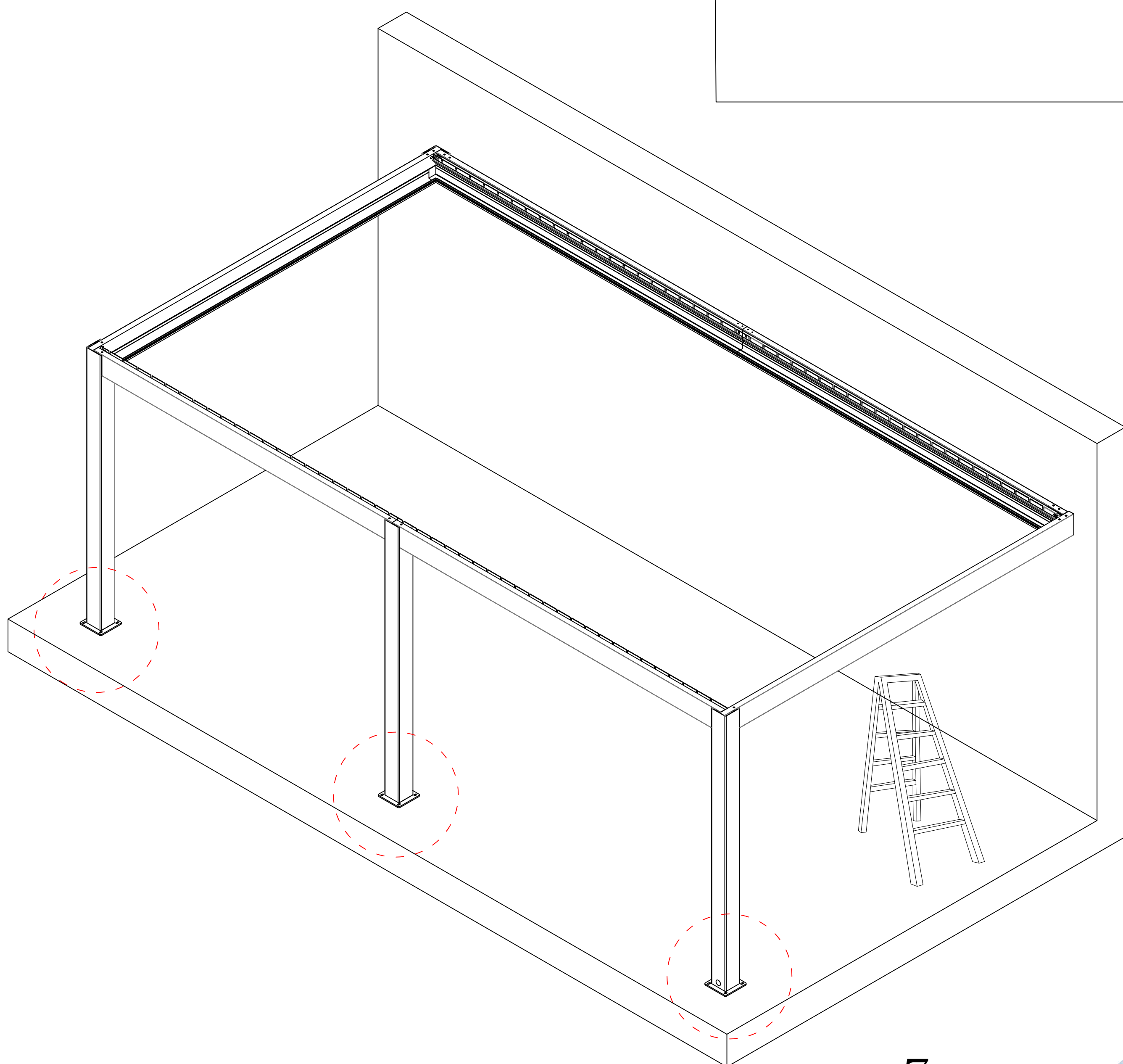
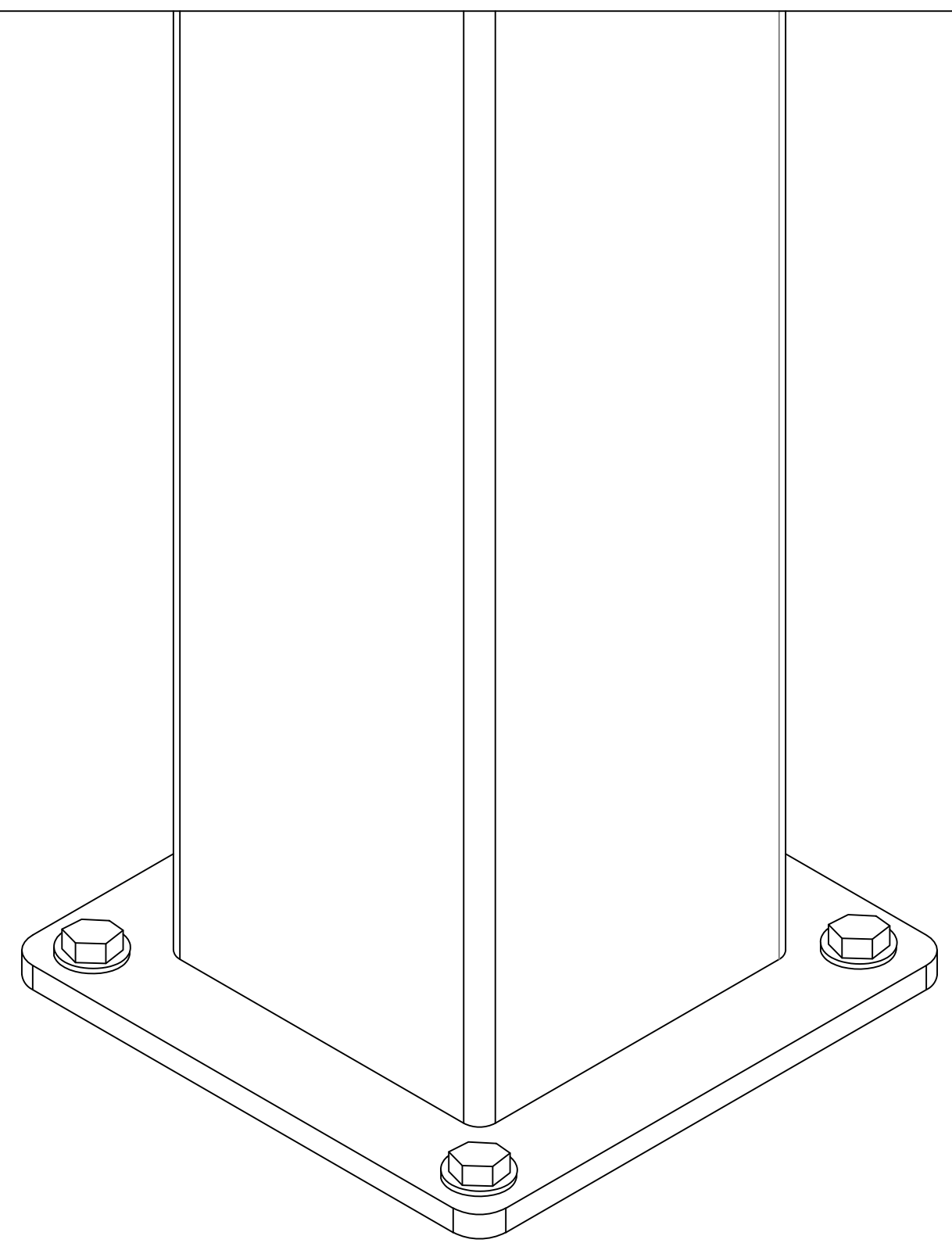


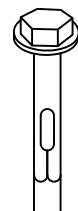
a

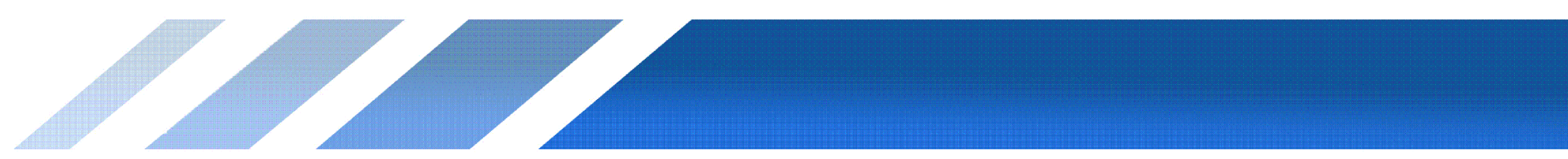
3B-21



b

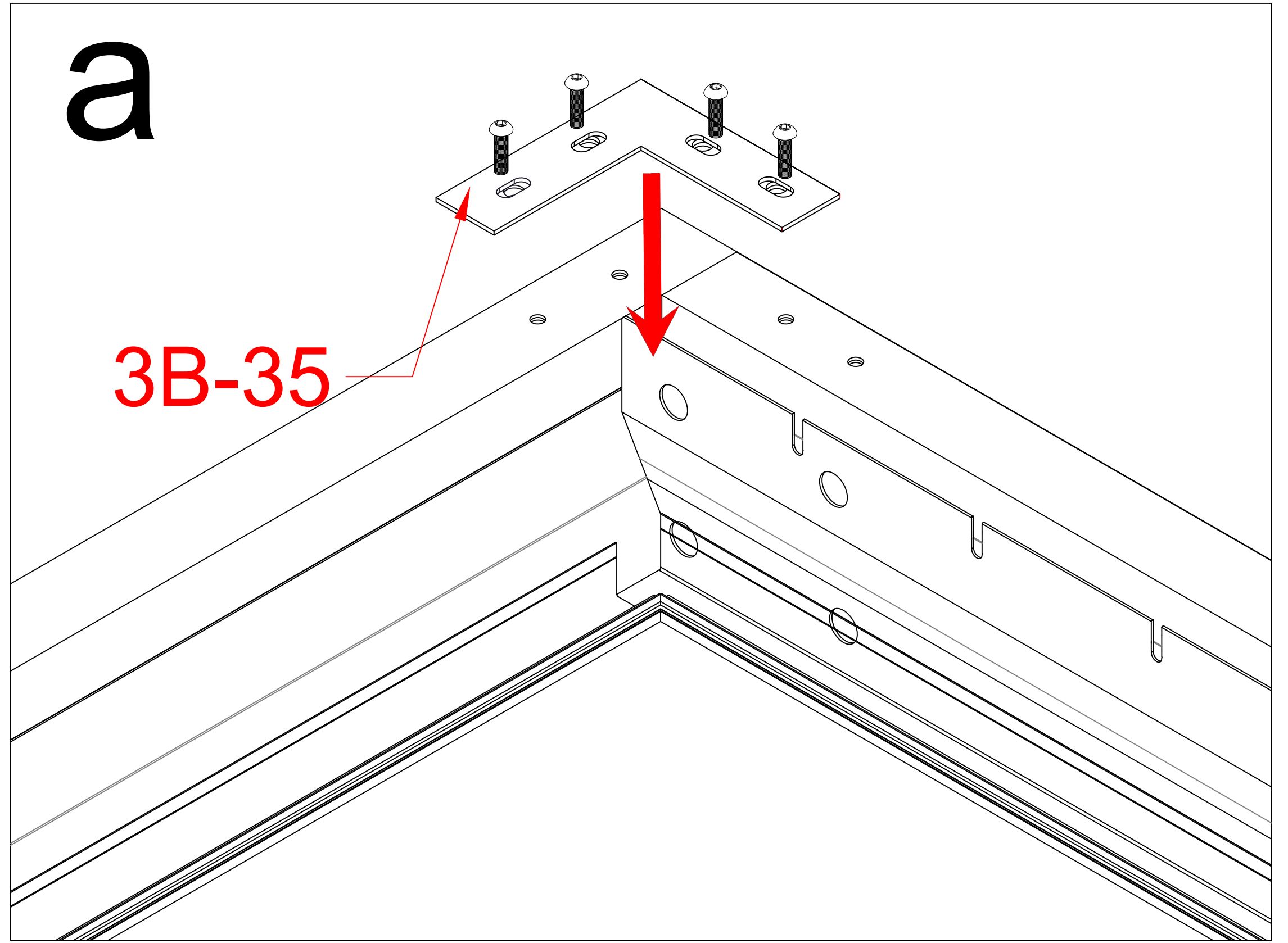


3B-21		12
-------	---	----

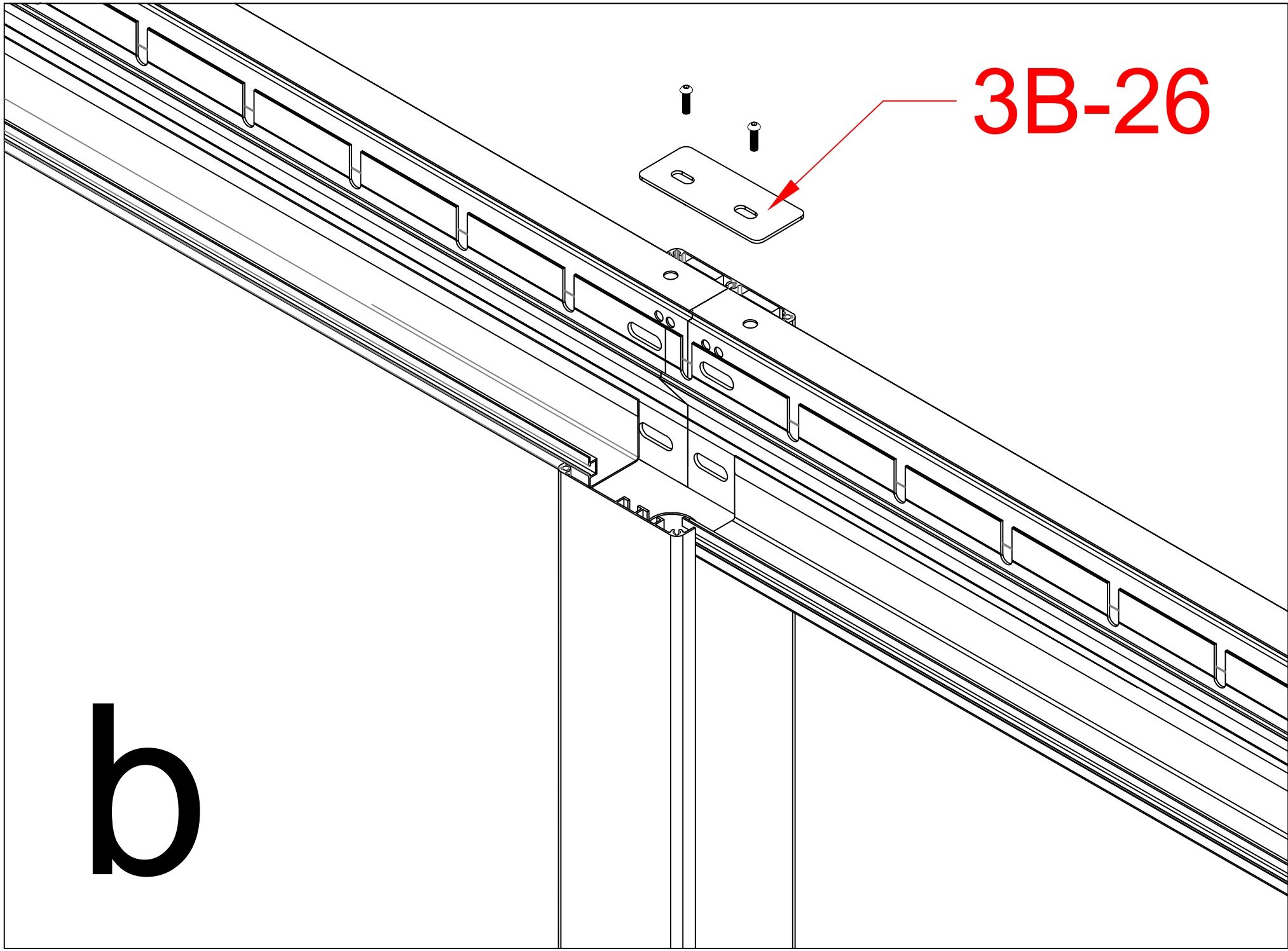




a

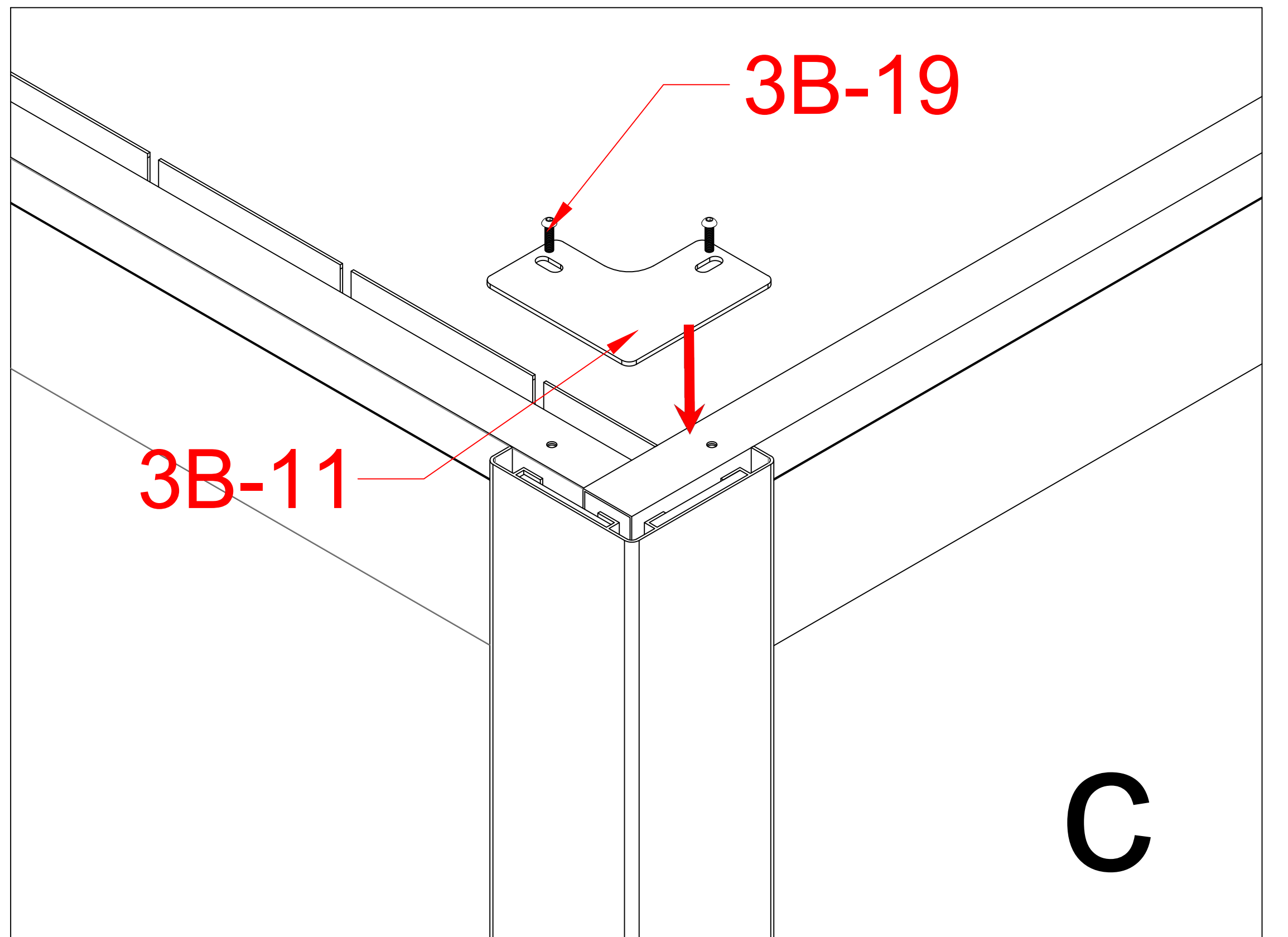


3B-26



b

3B-19



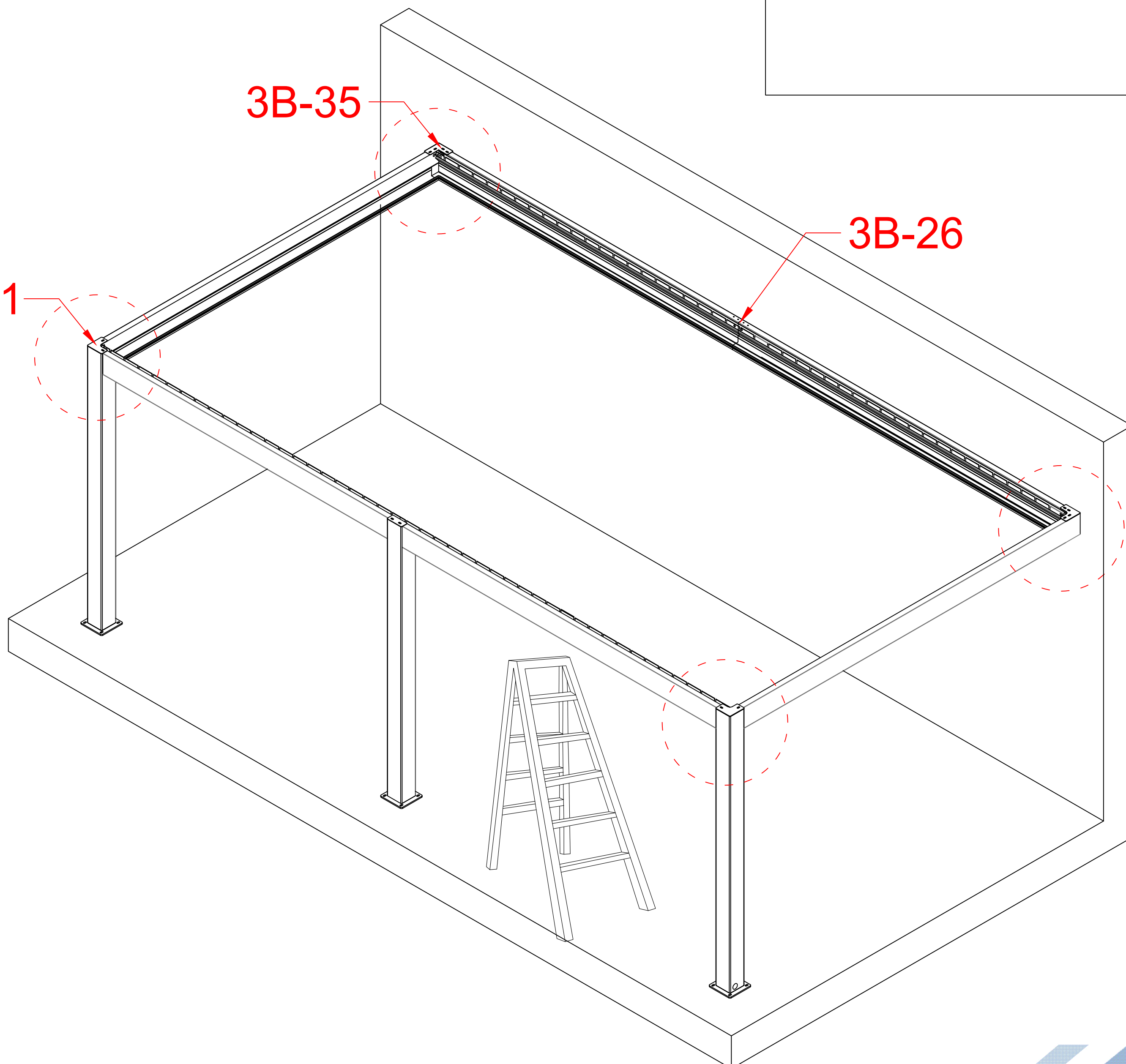
3B-11

c

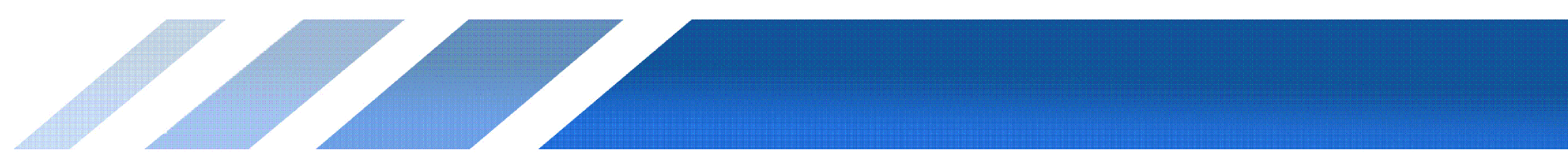
3B-35

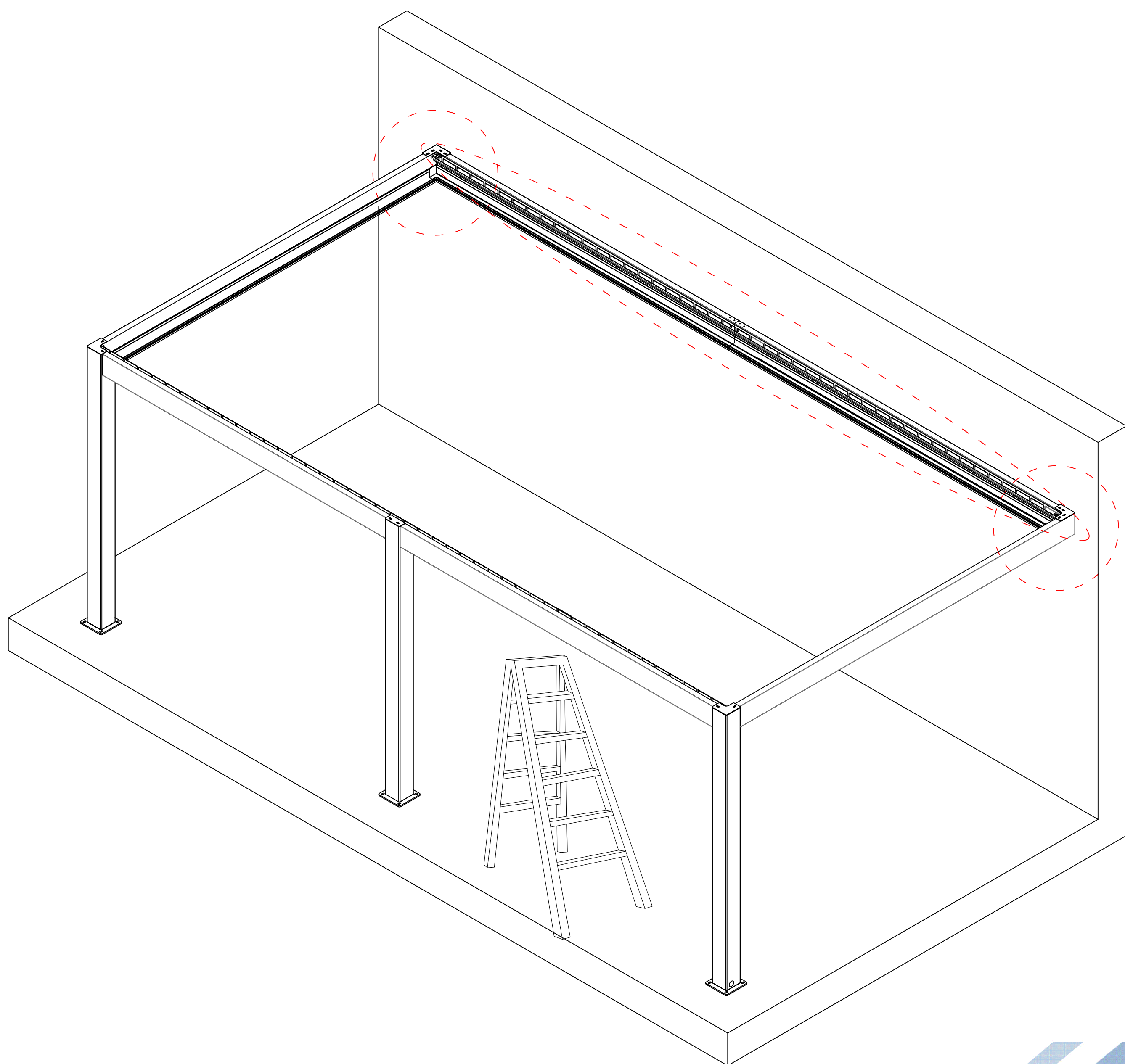
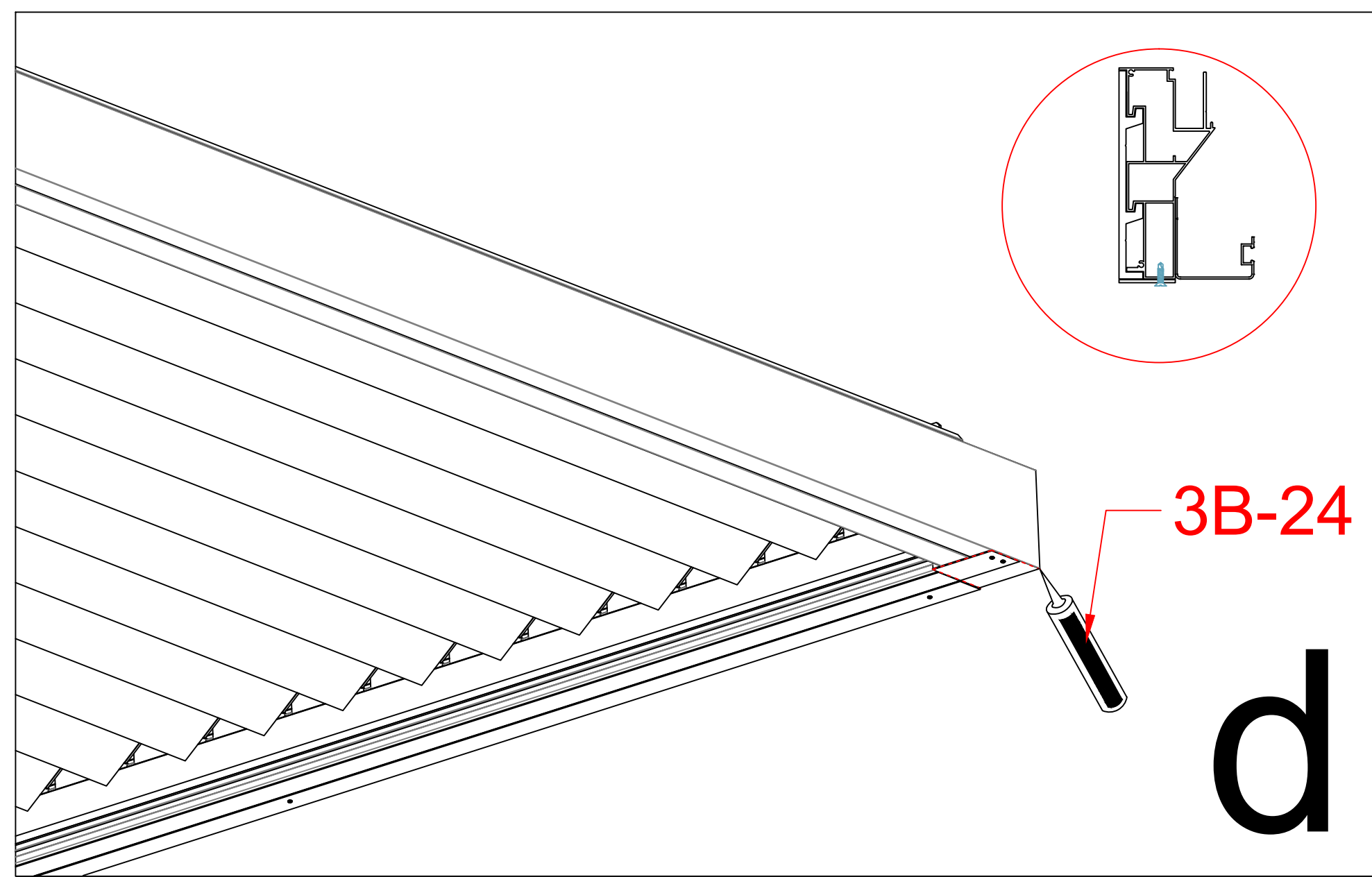
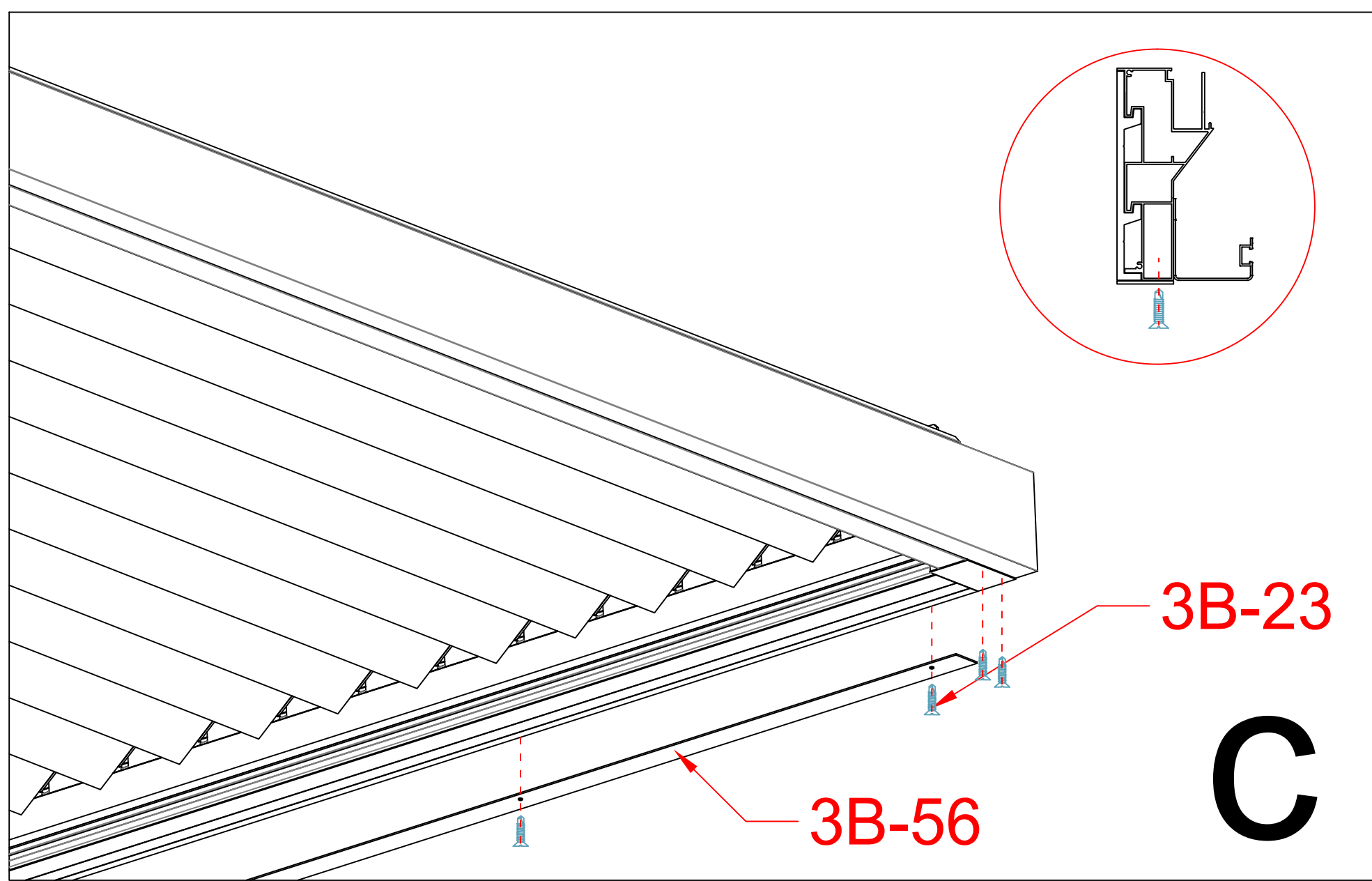
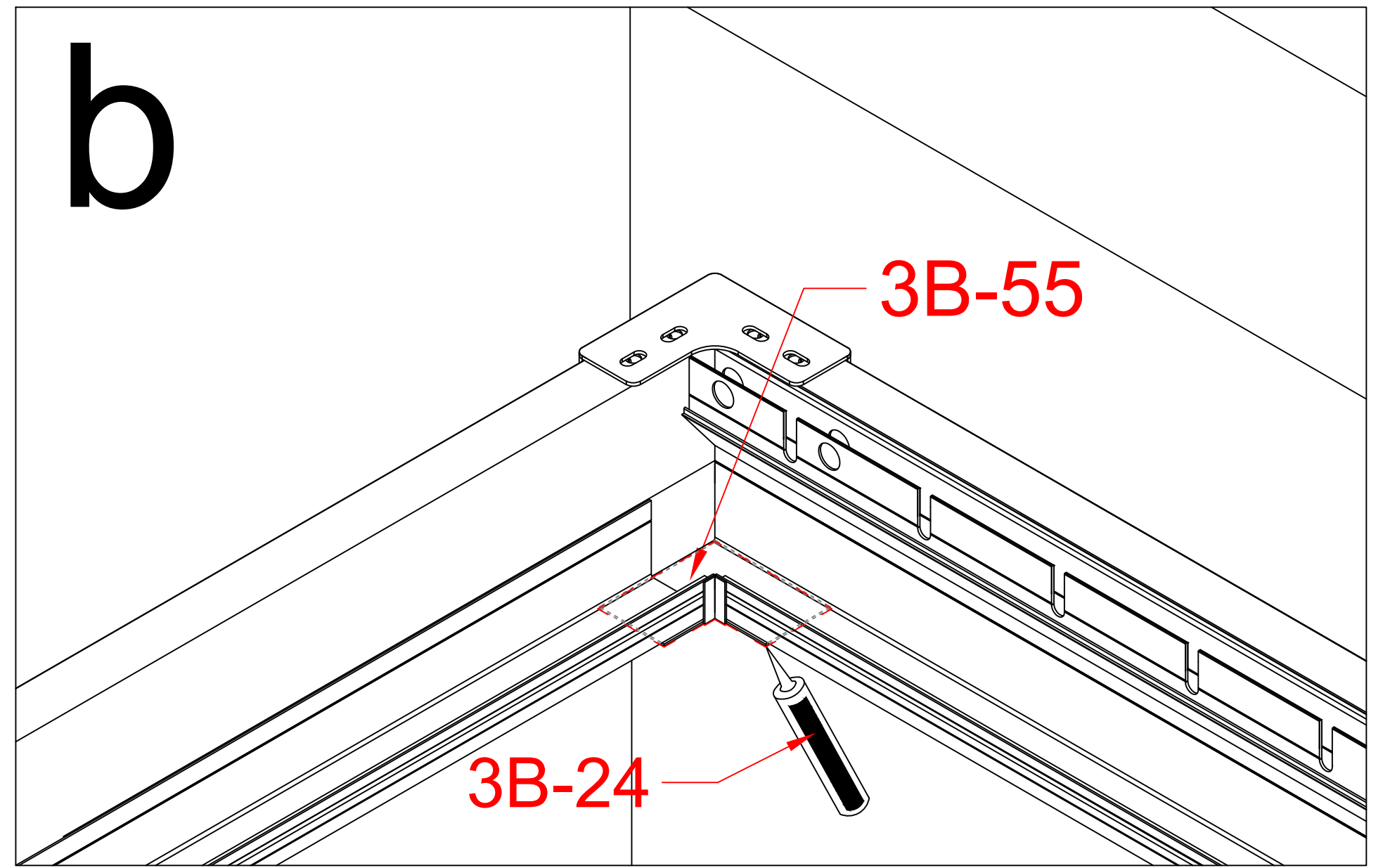
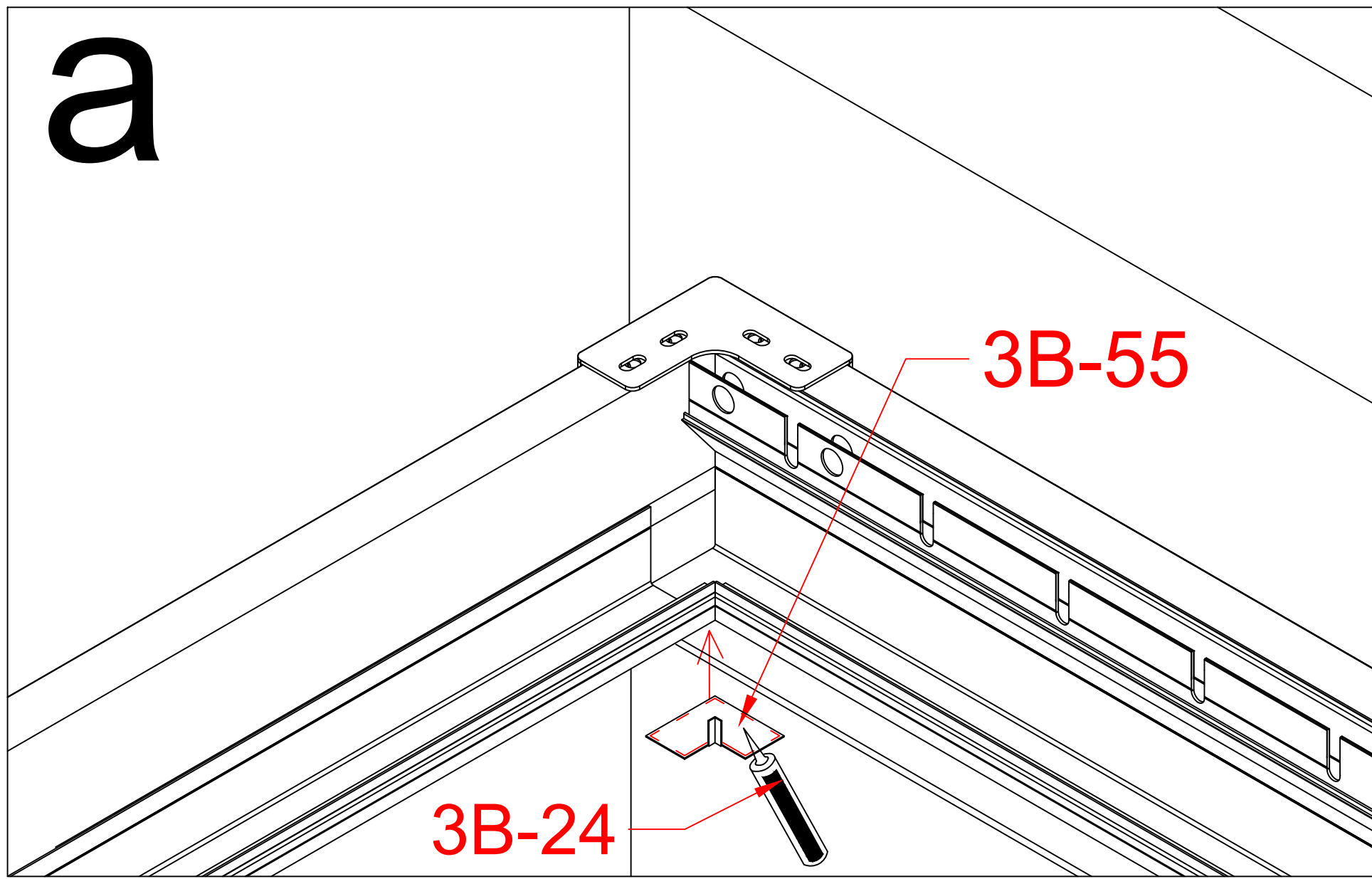
3B-26

3B-11

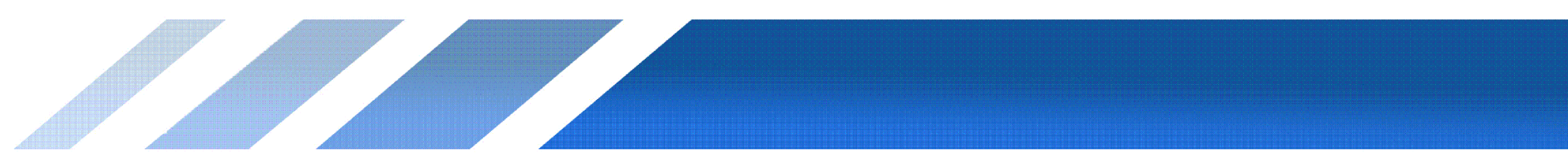


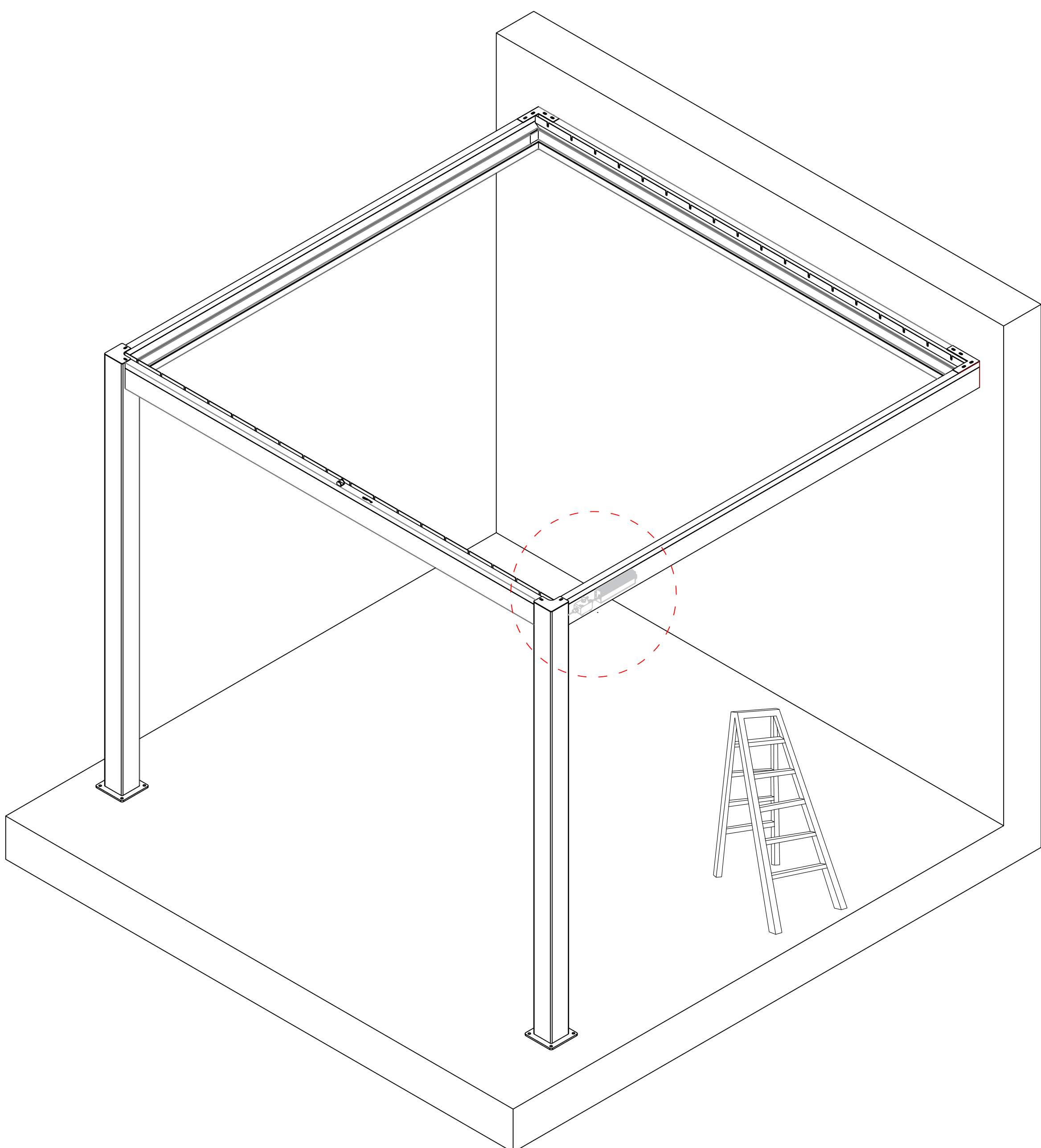
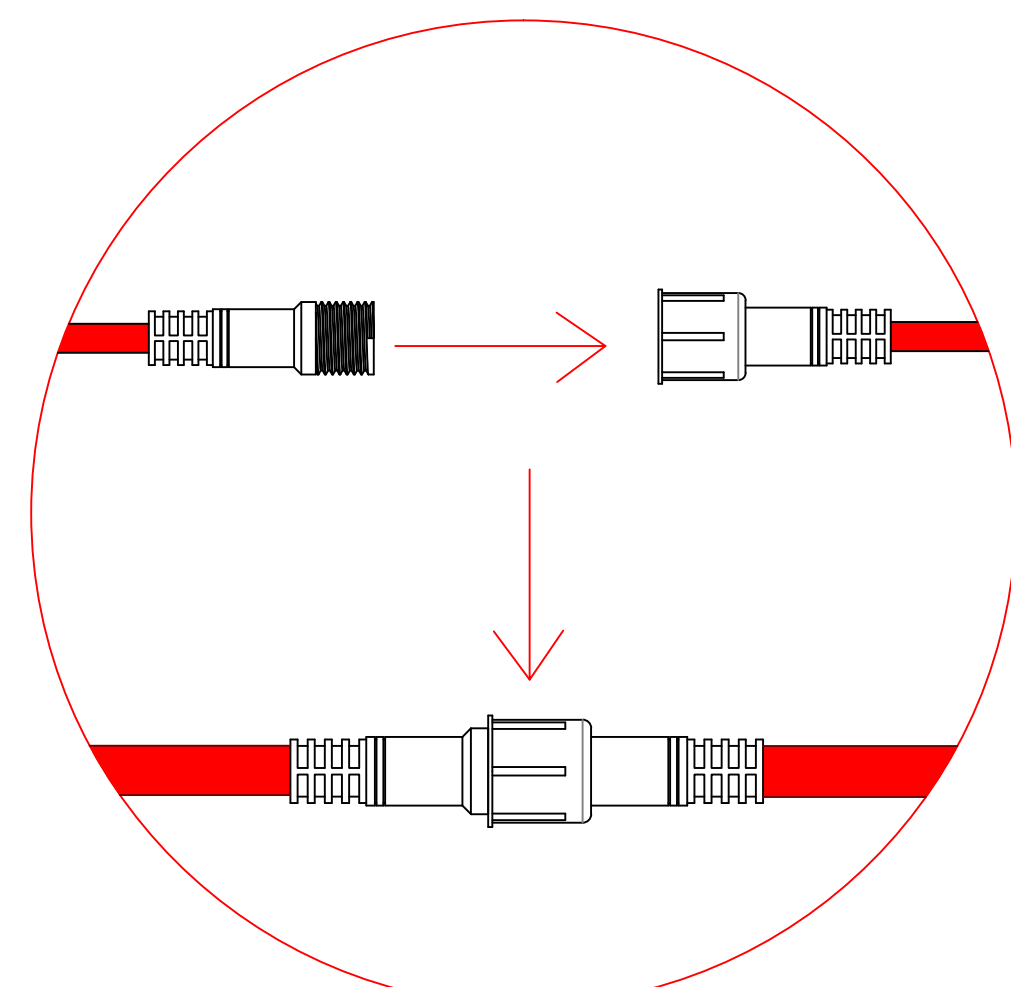
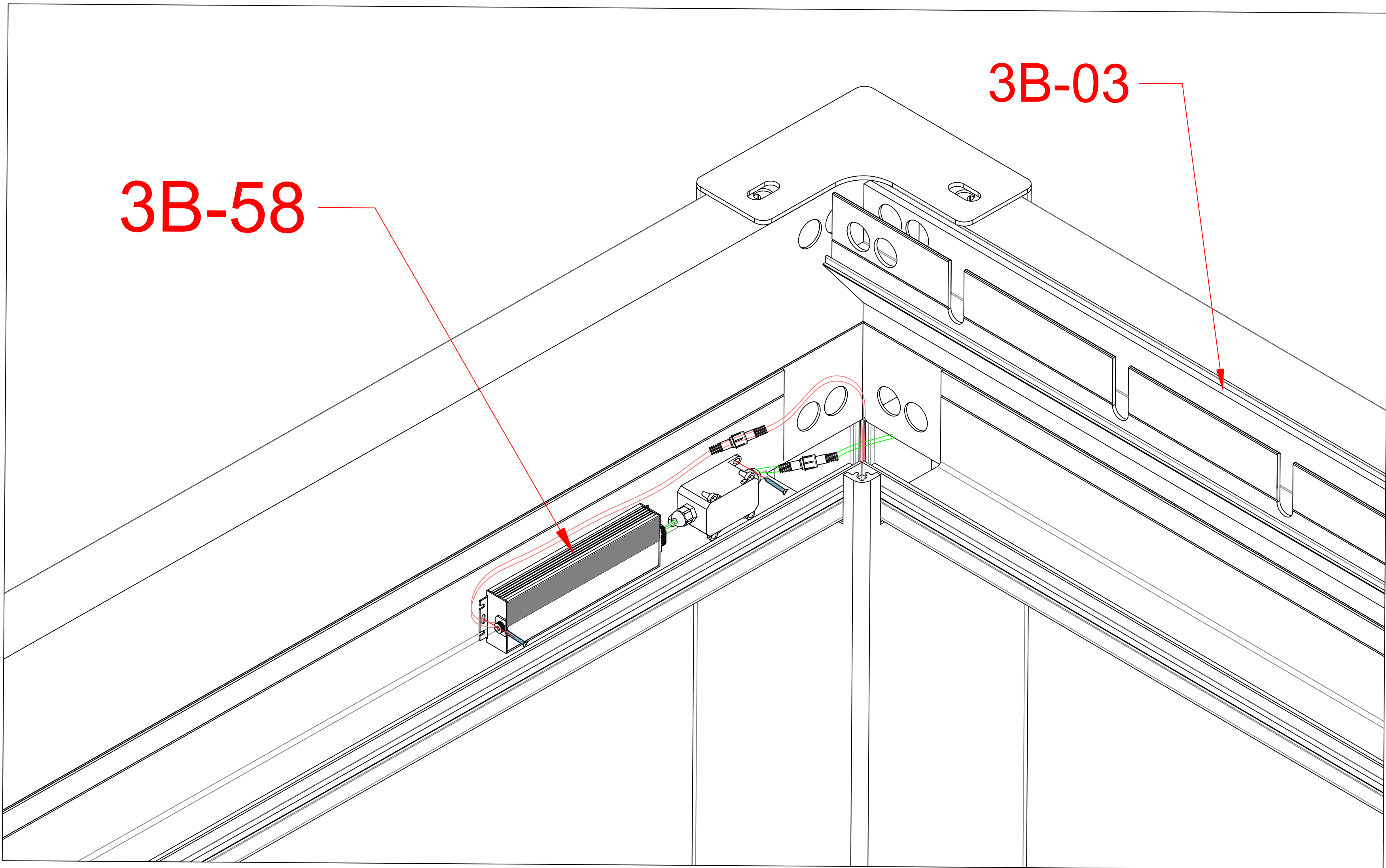
3B-26		2
3B-35		2
3B-11		2
3B-19		18

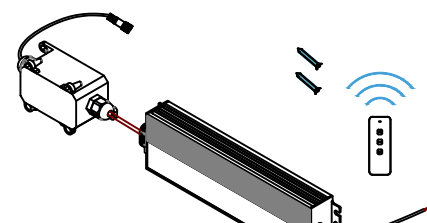


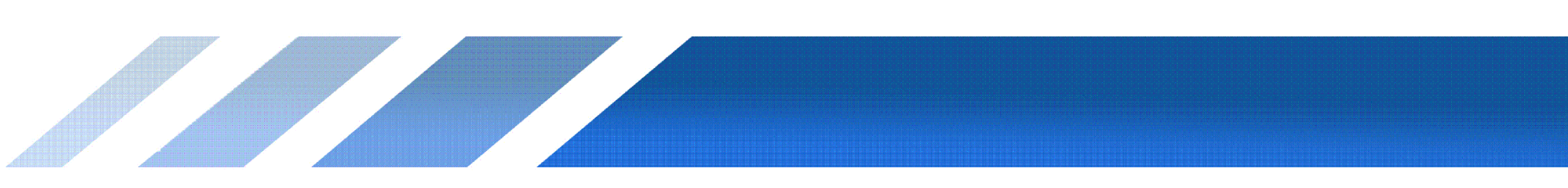


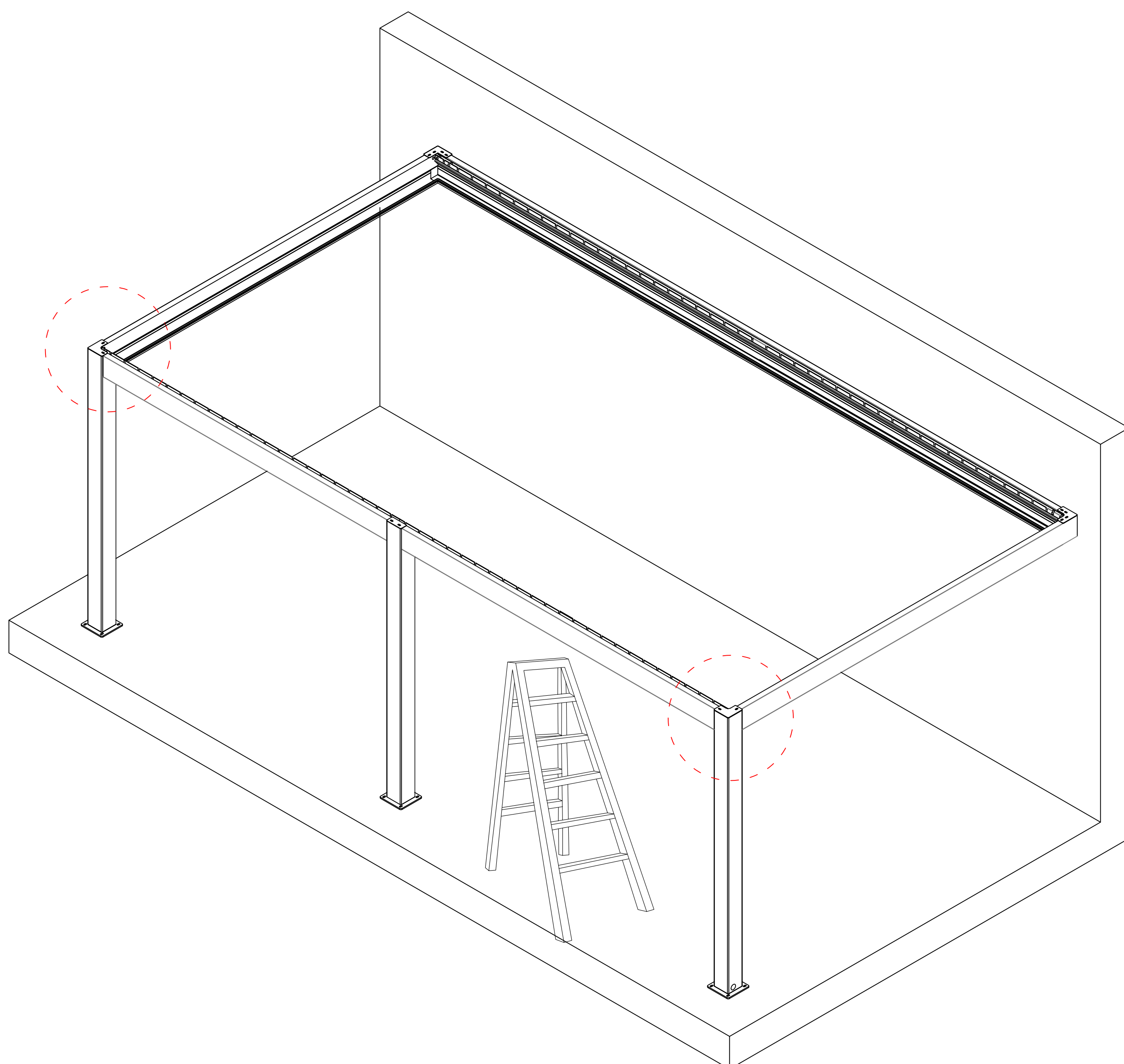
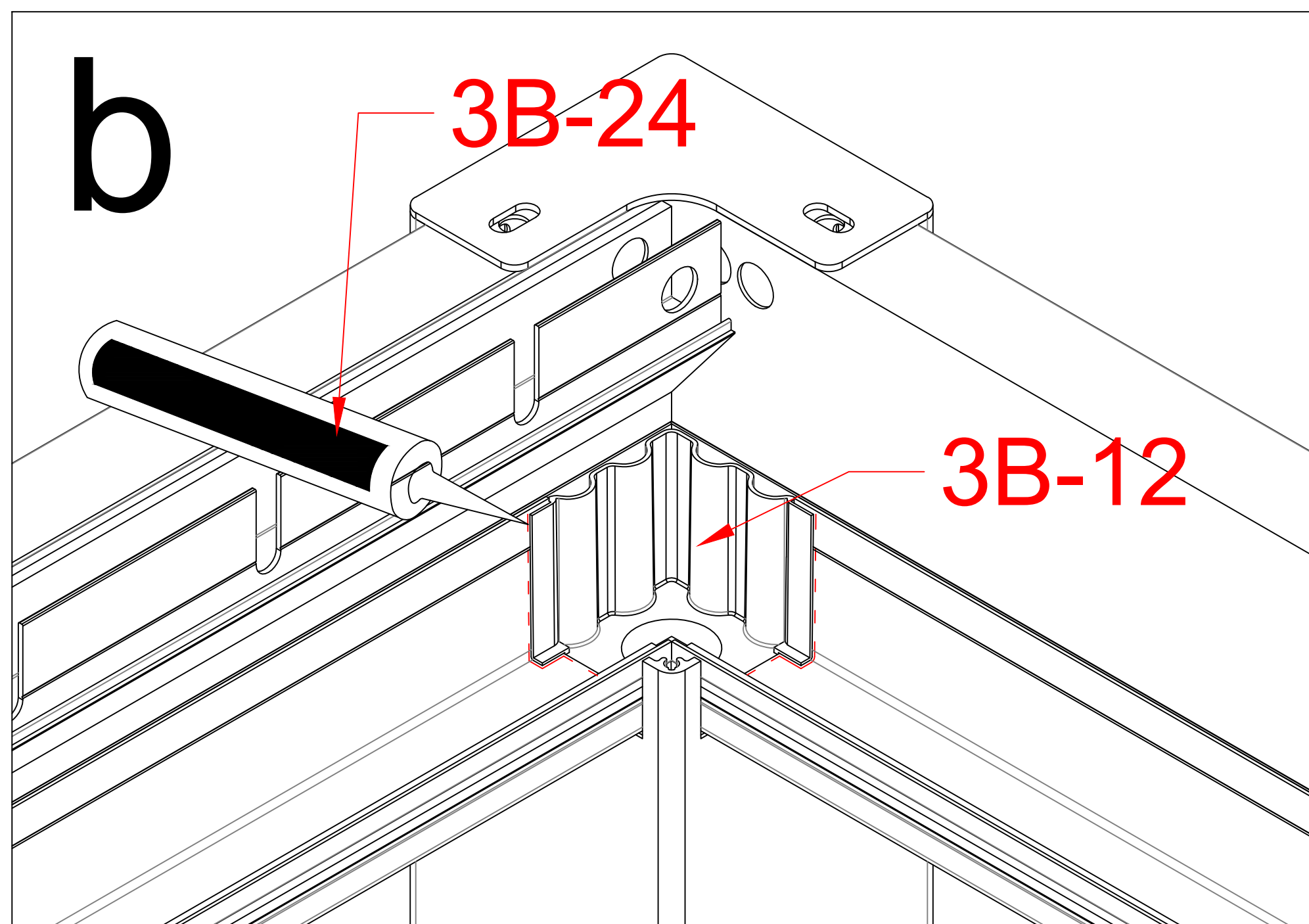
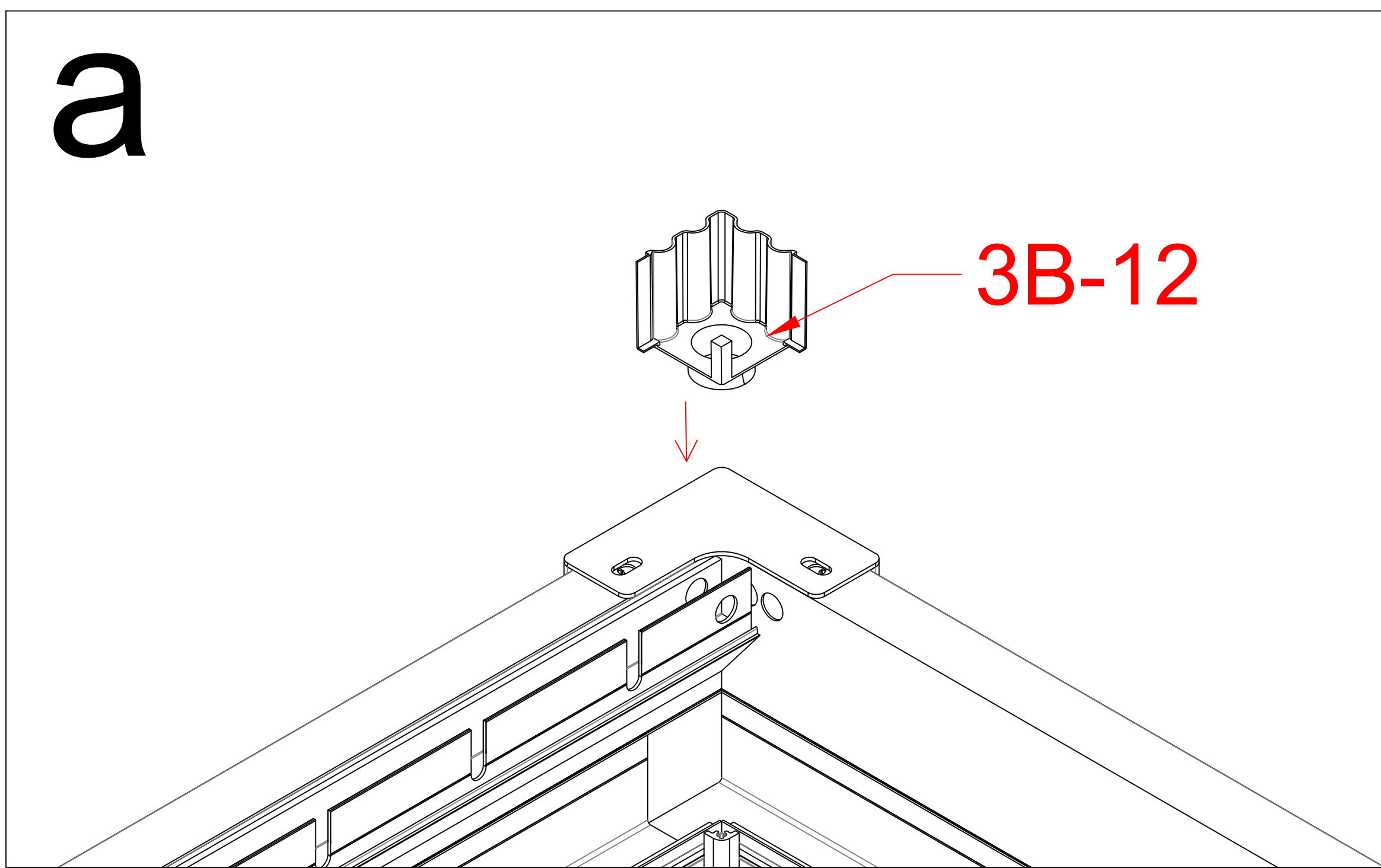
3B-55		2
3B-56		2
3B-23		14





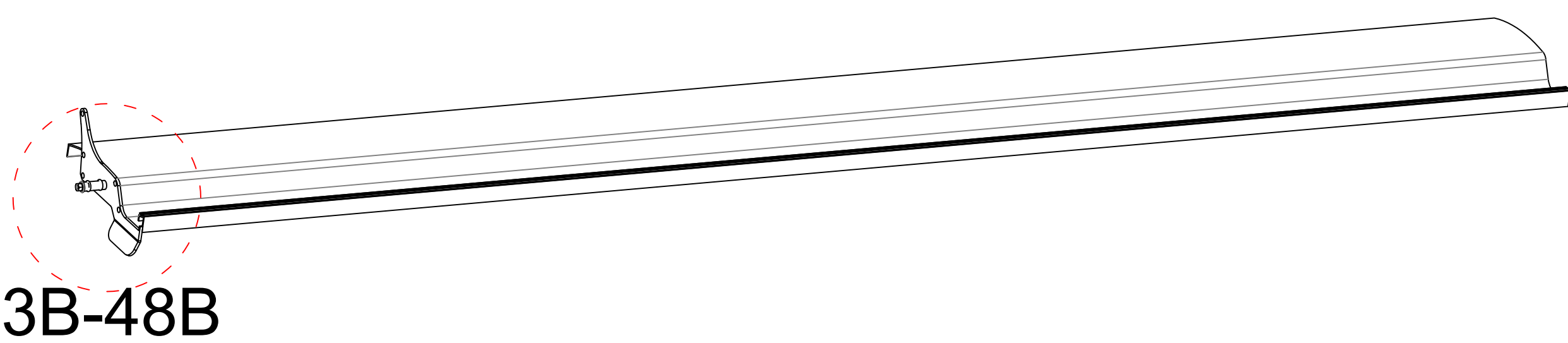
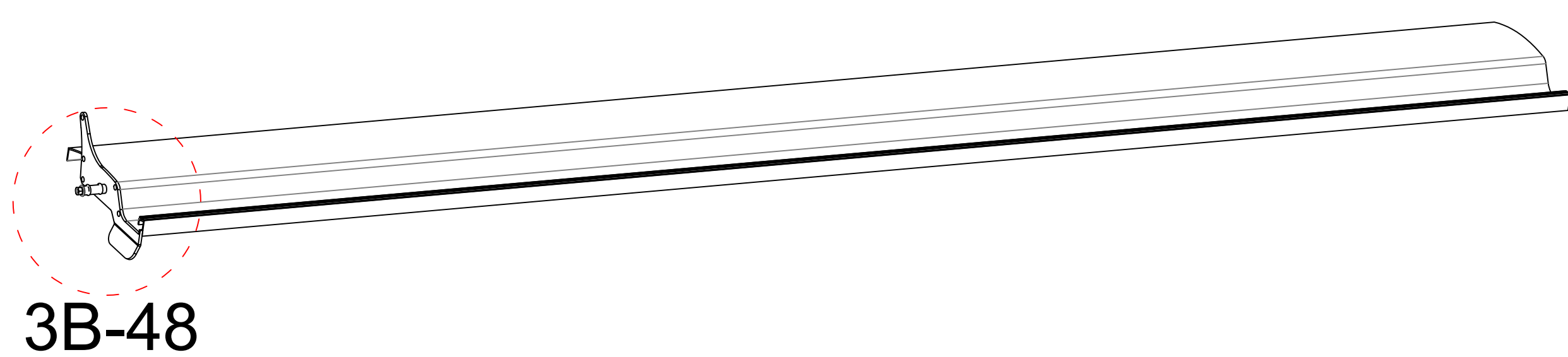
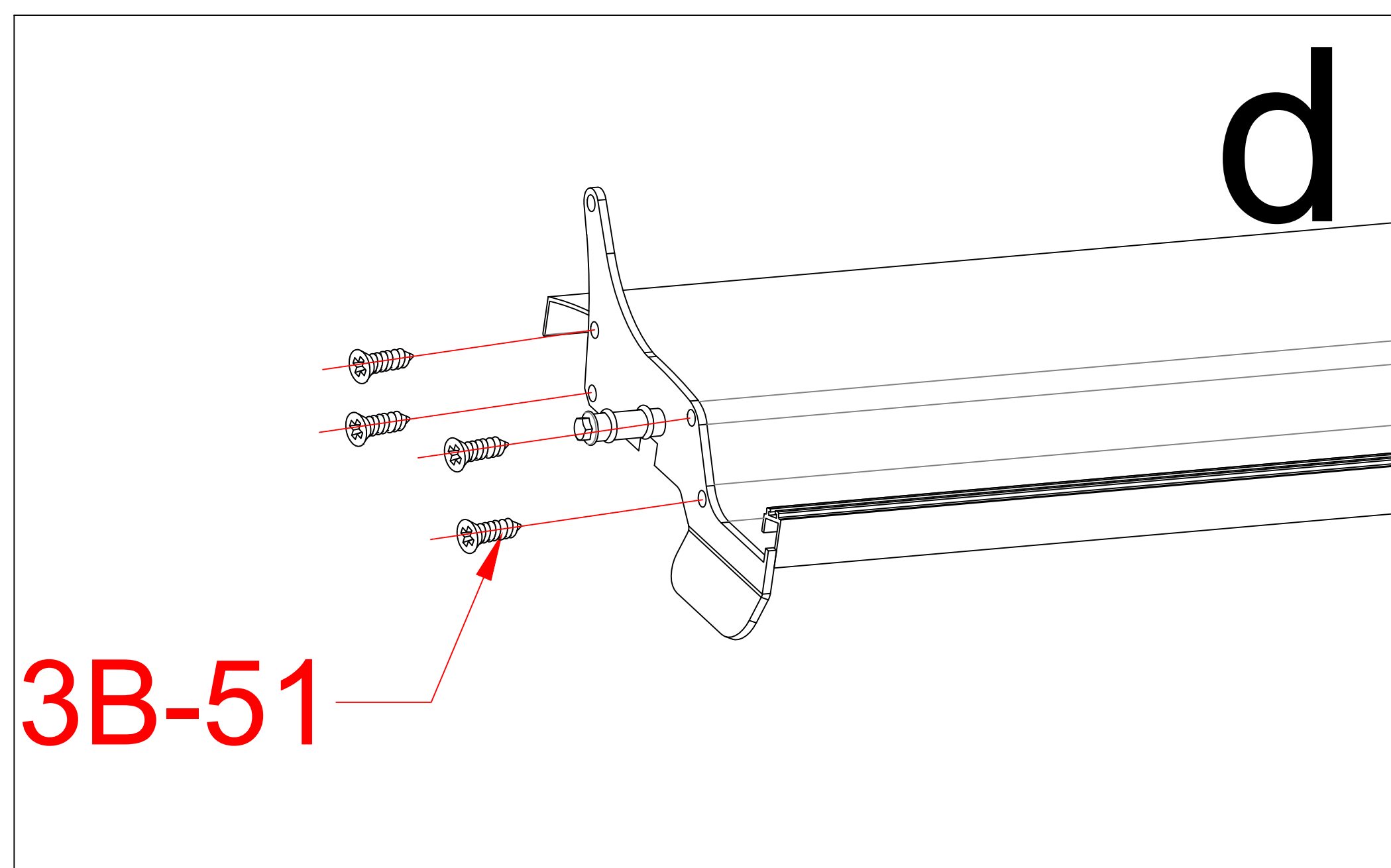
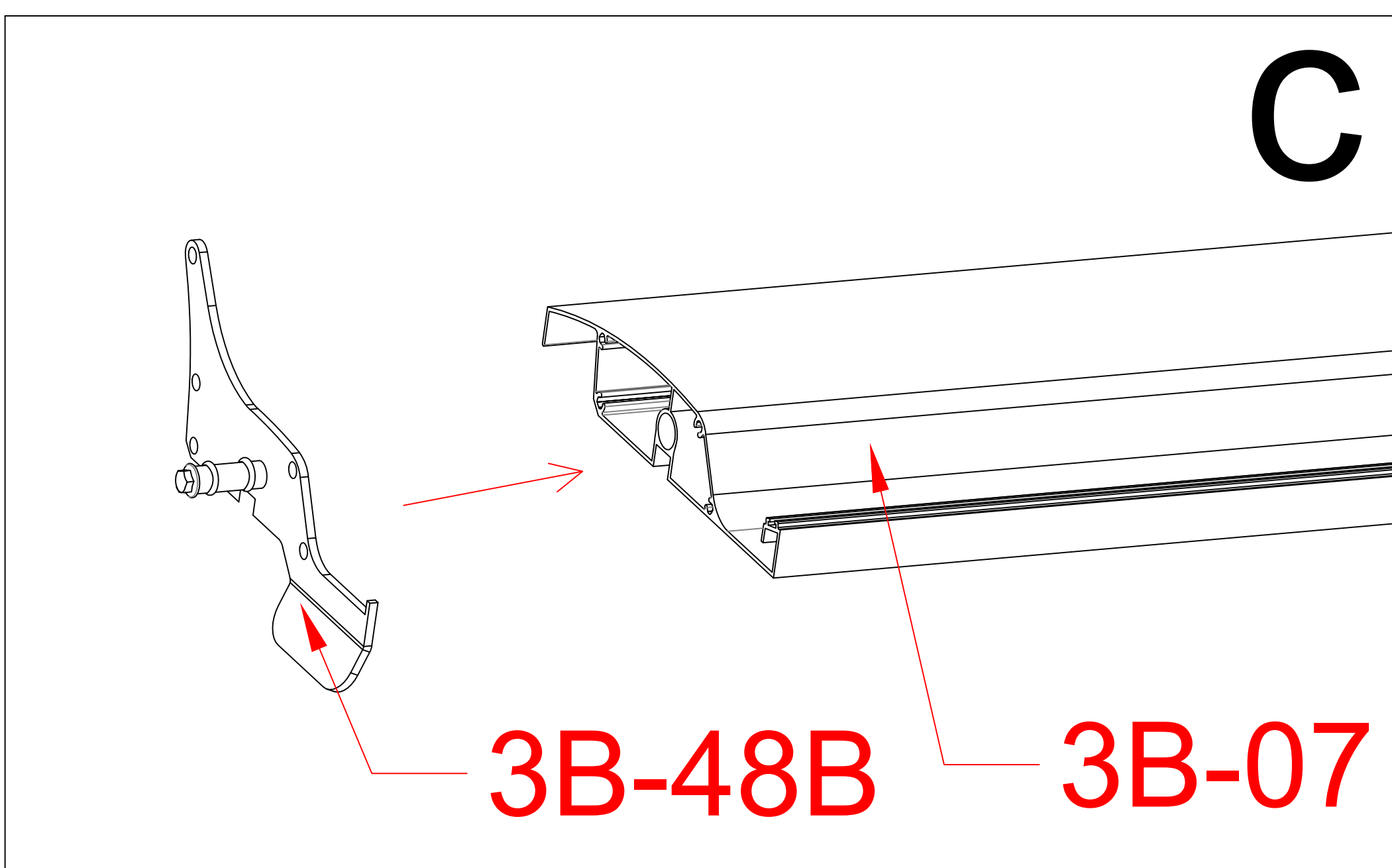
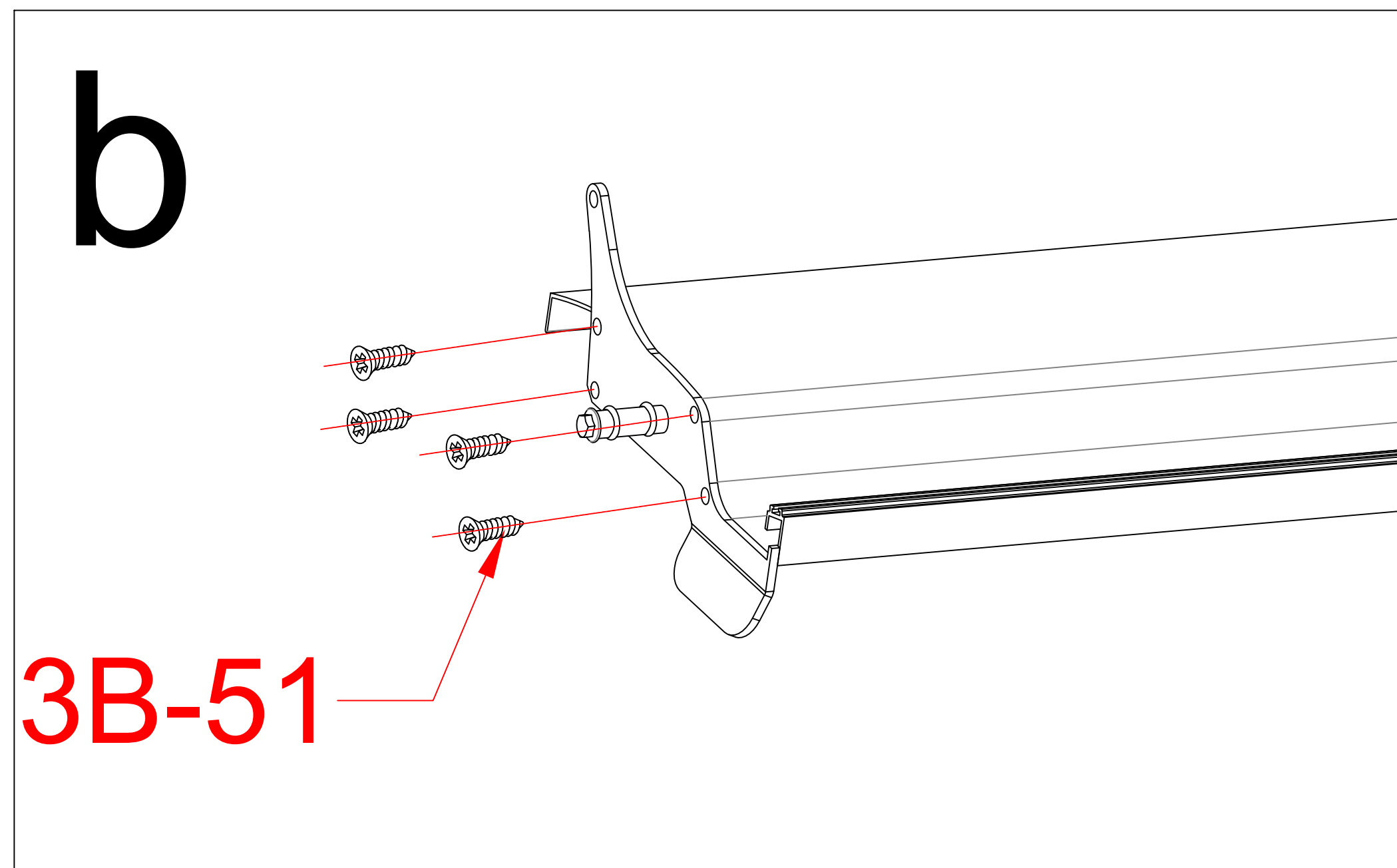
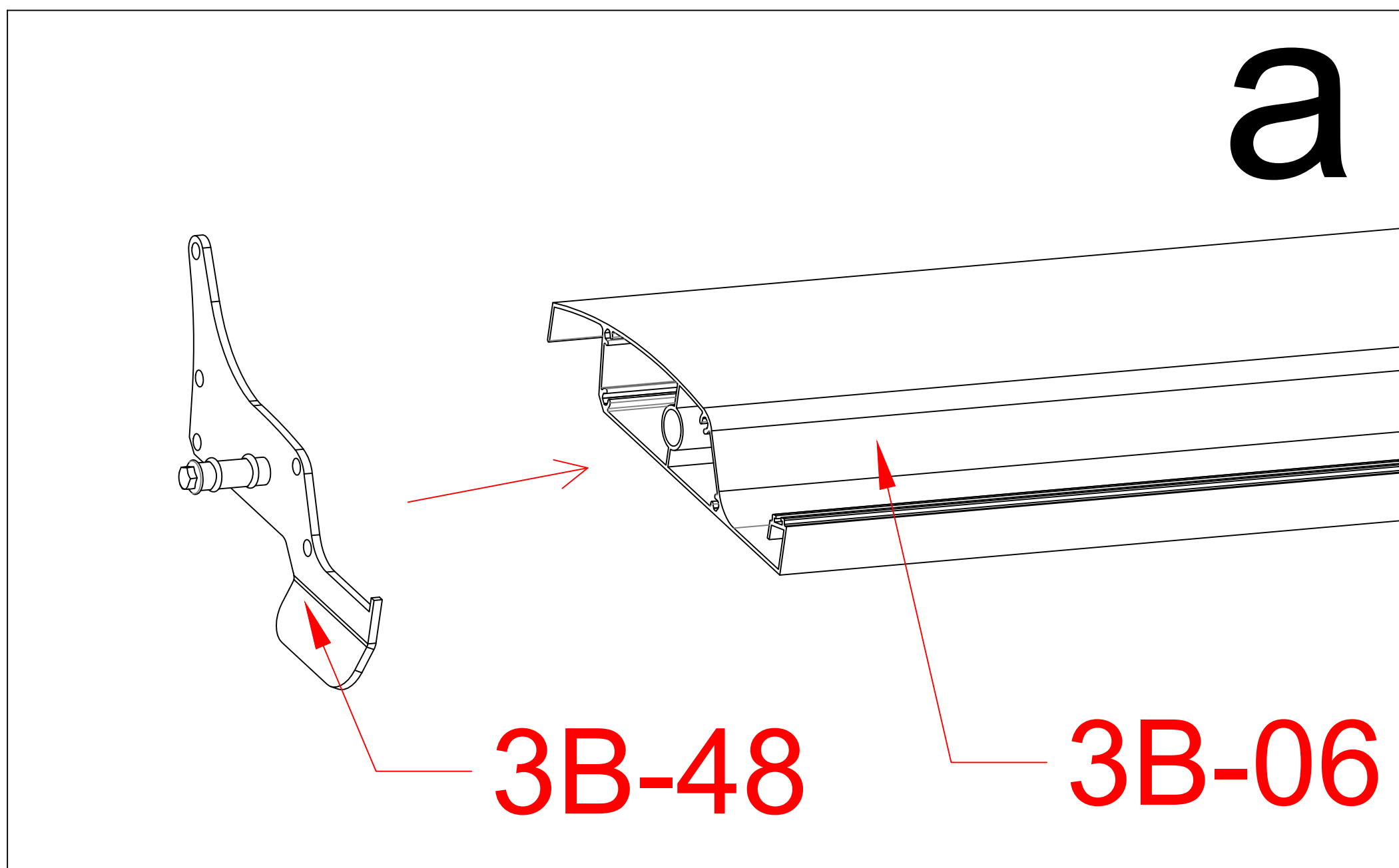
3B-58		1
-------	---	---



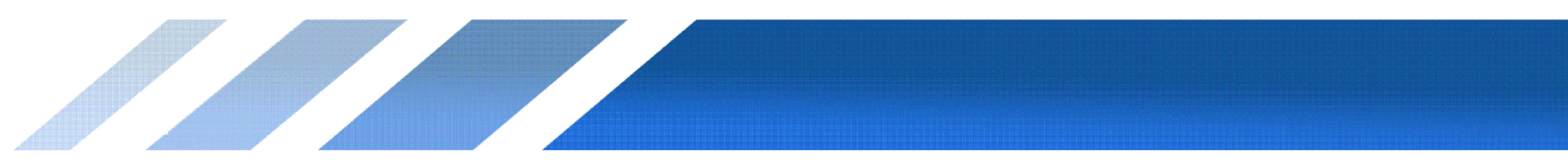


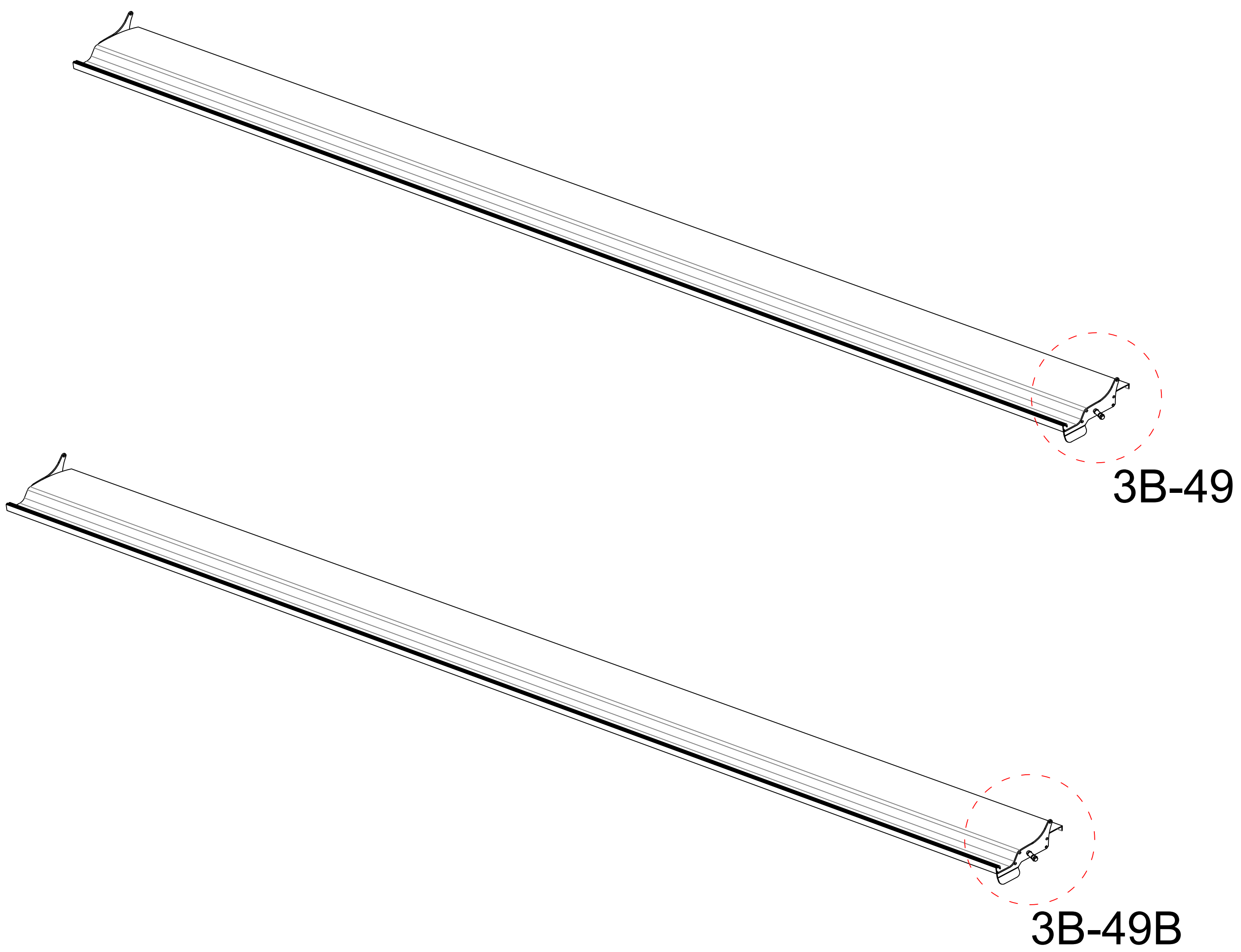
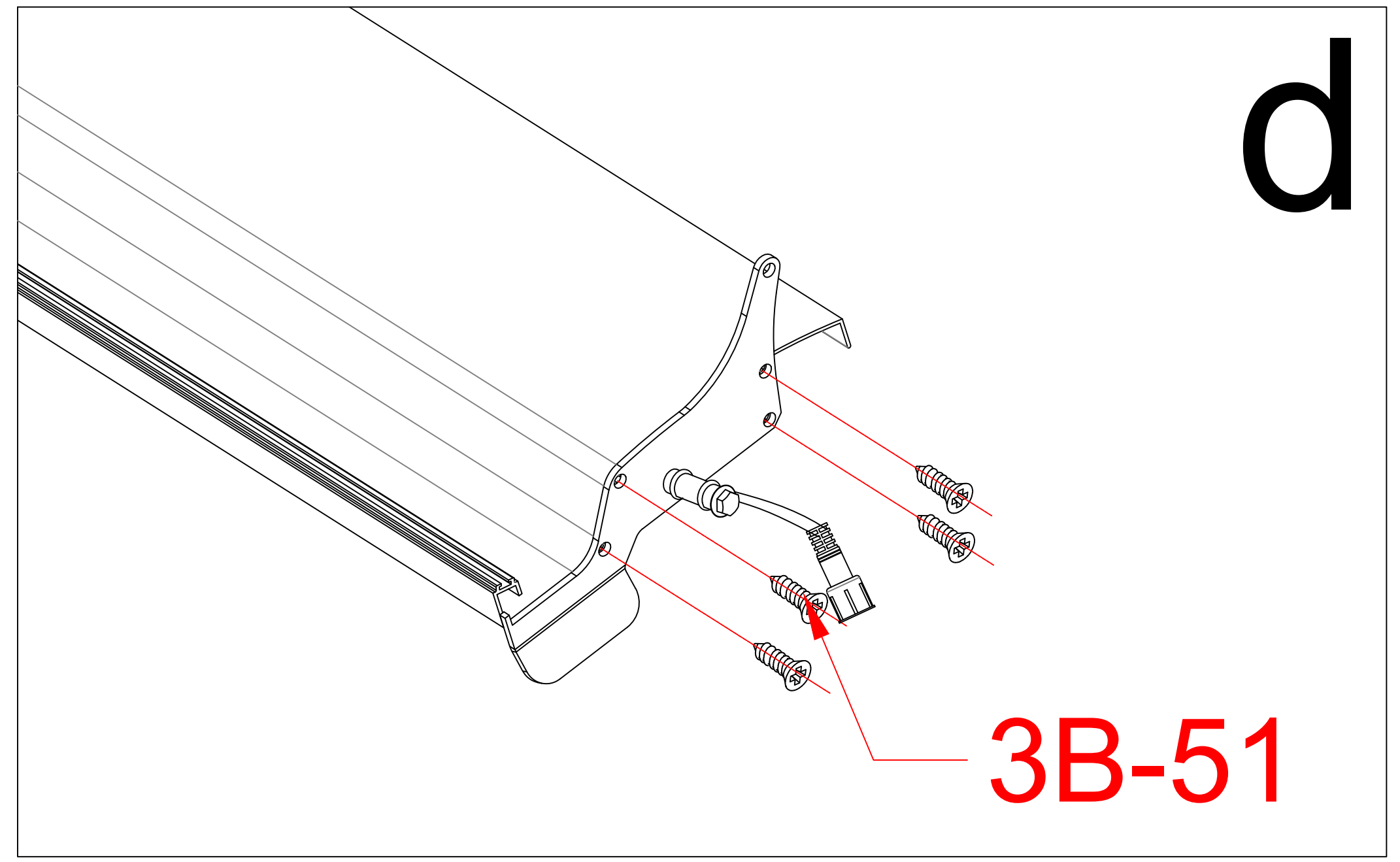
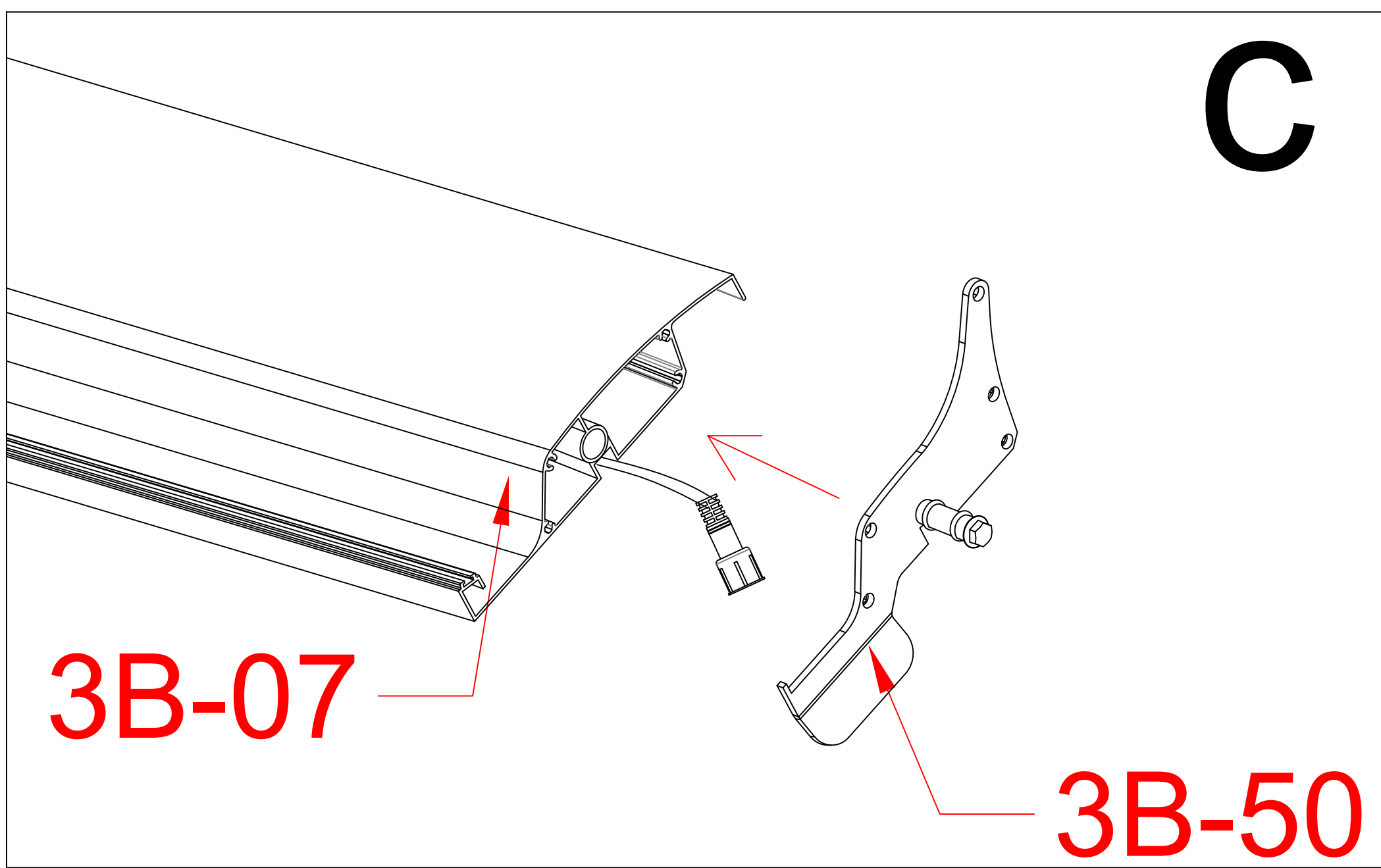
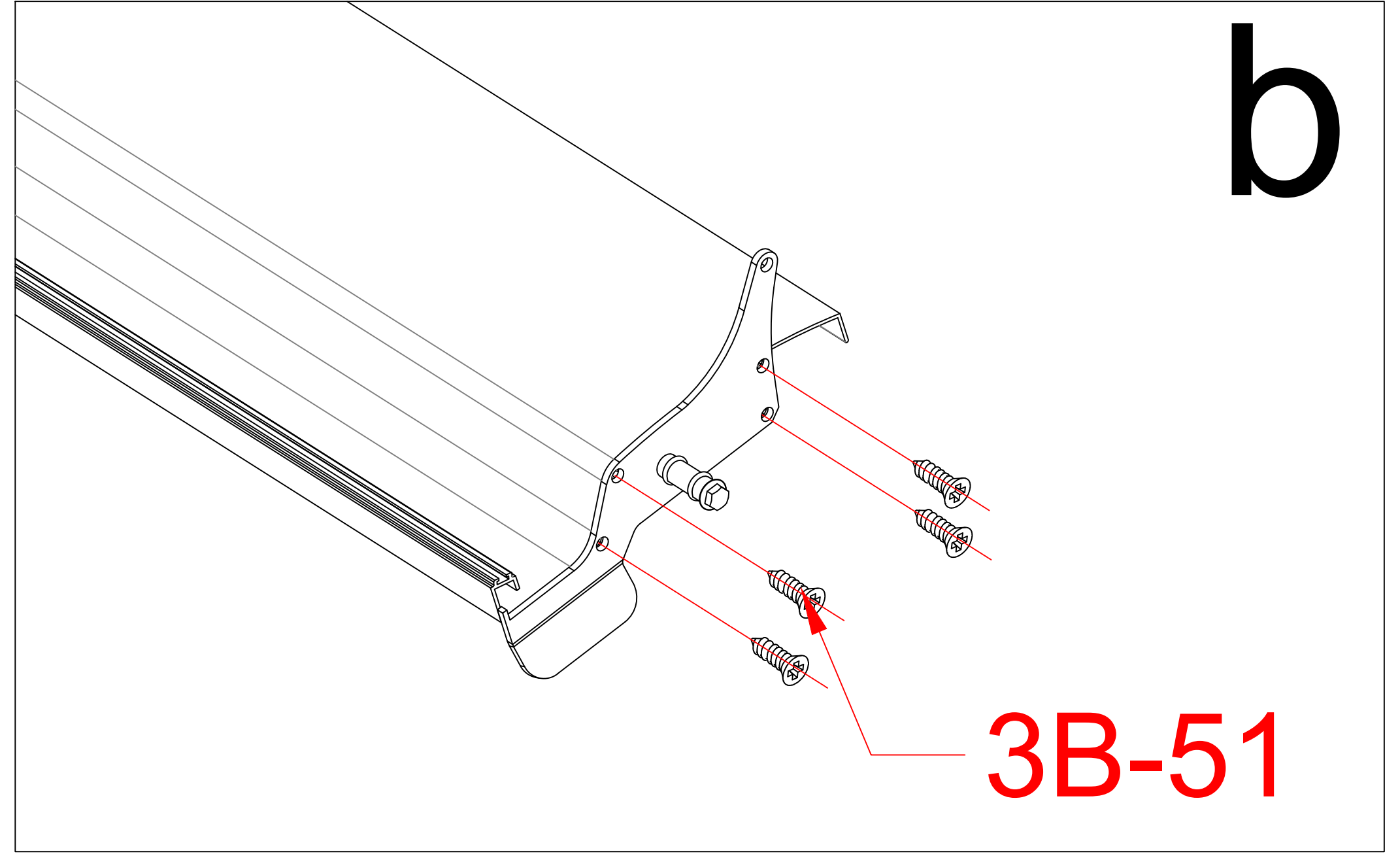
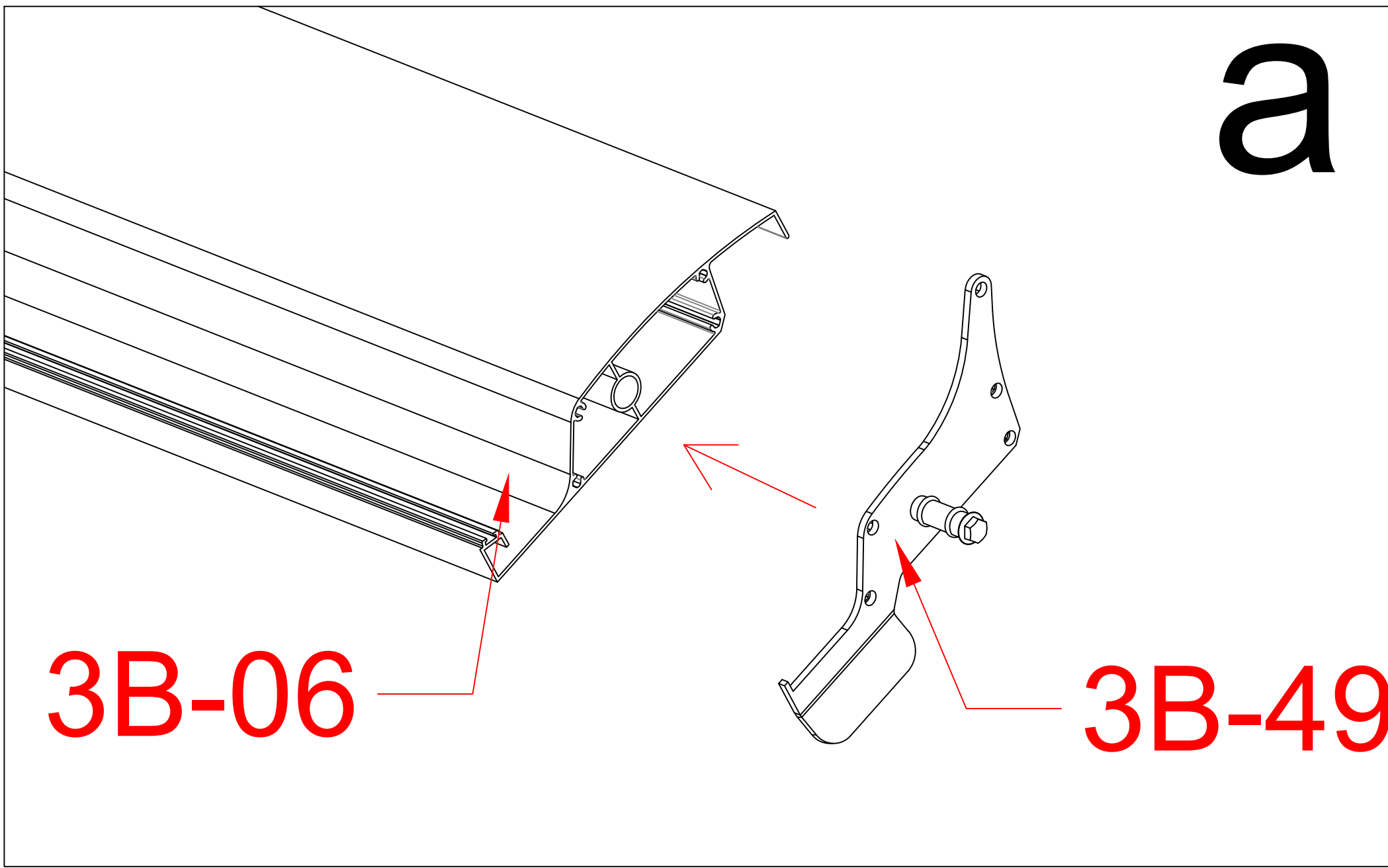
3B-24		1
3B-12		2



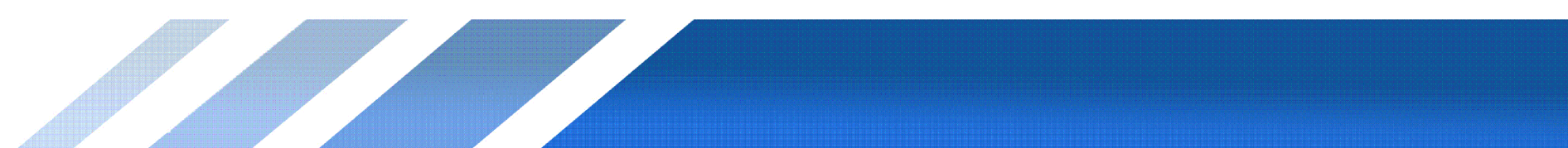


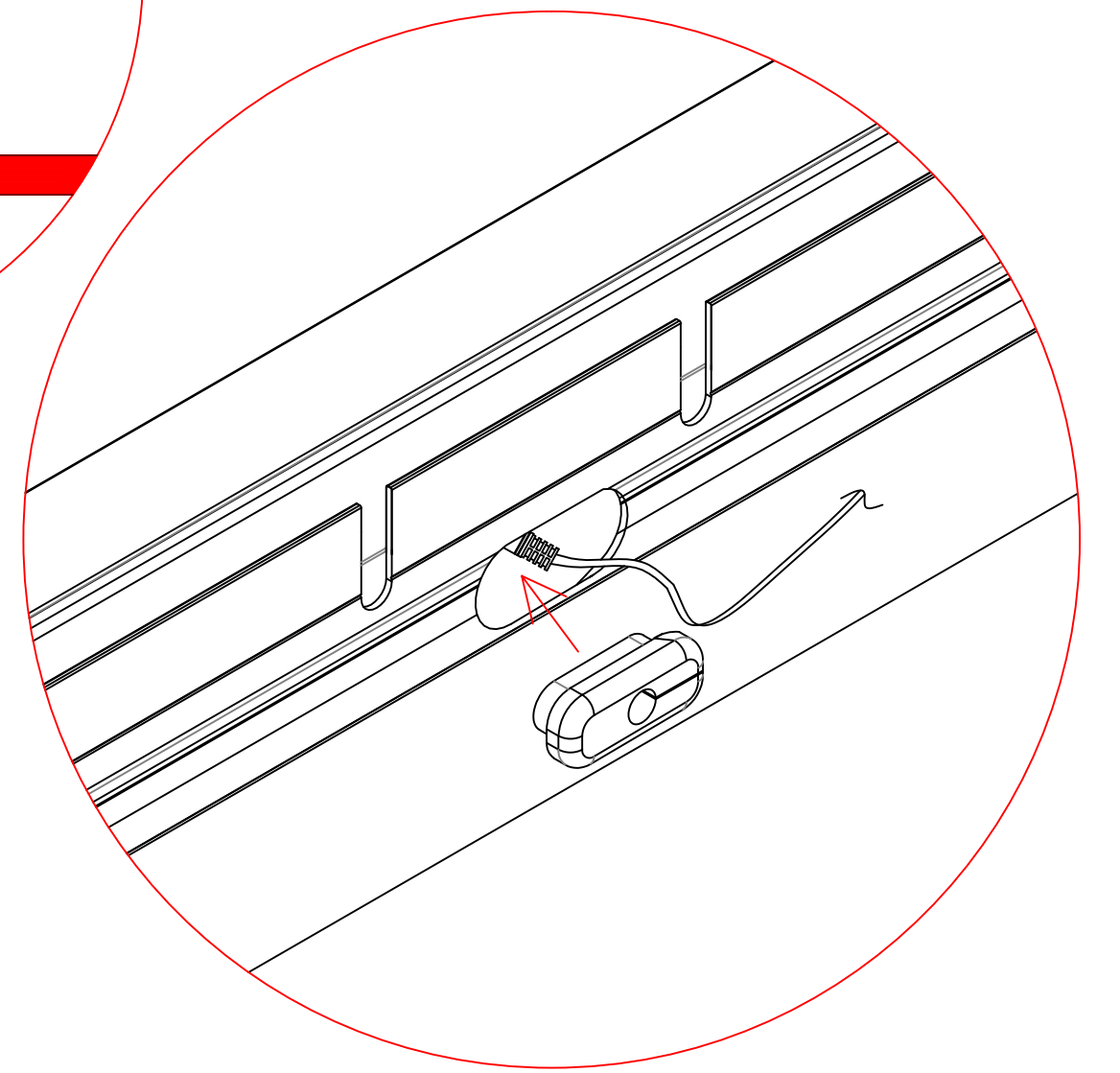
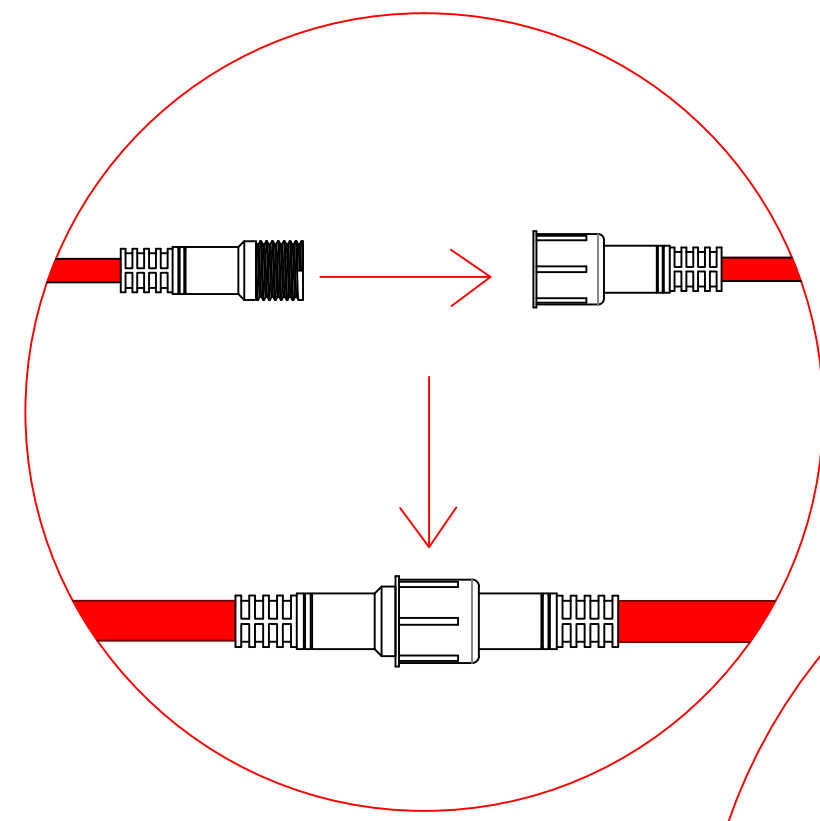
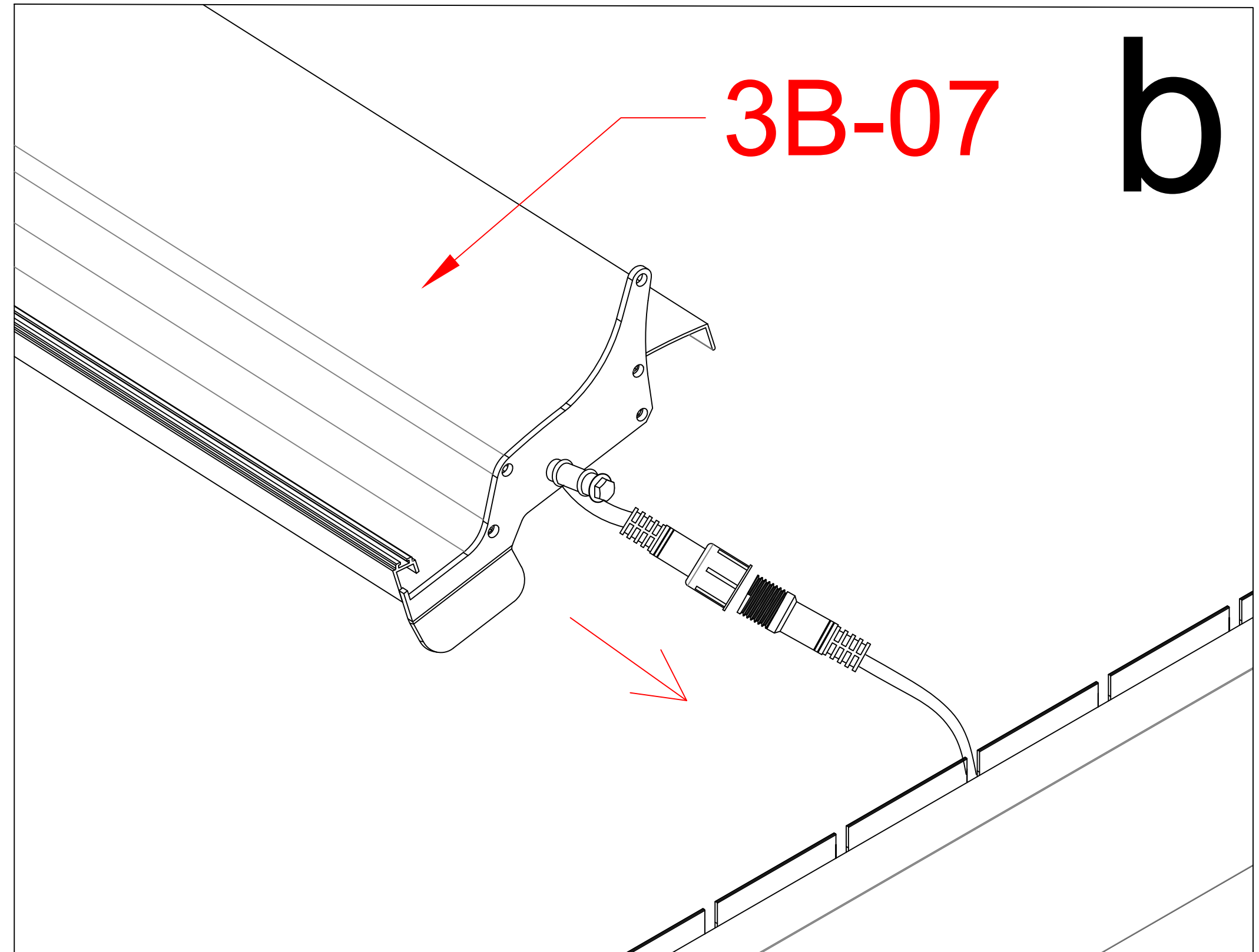
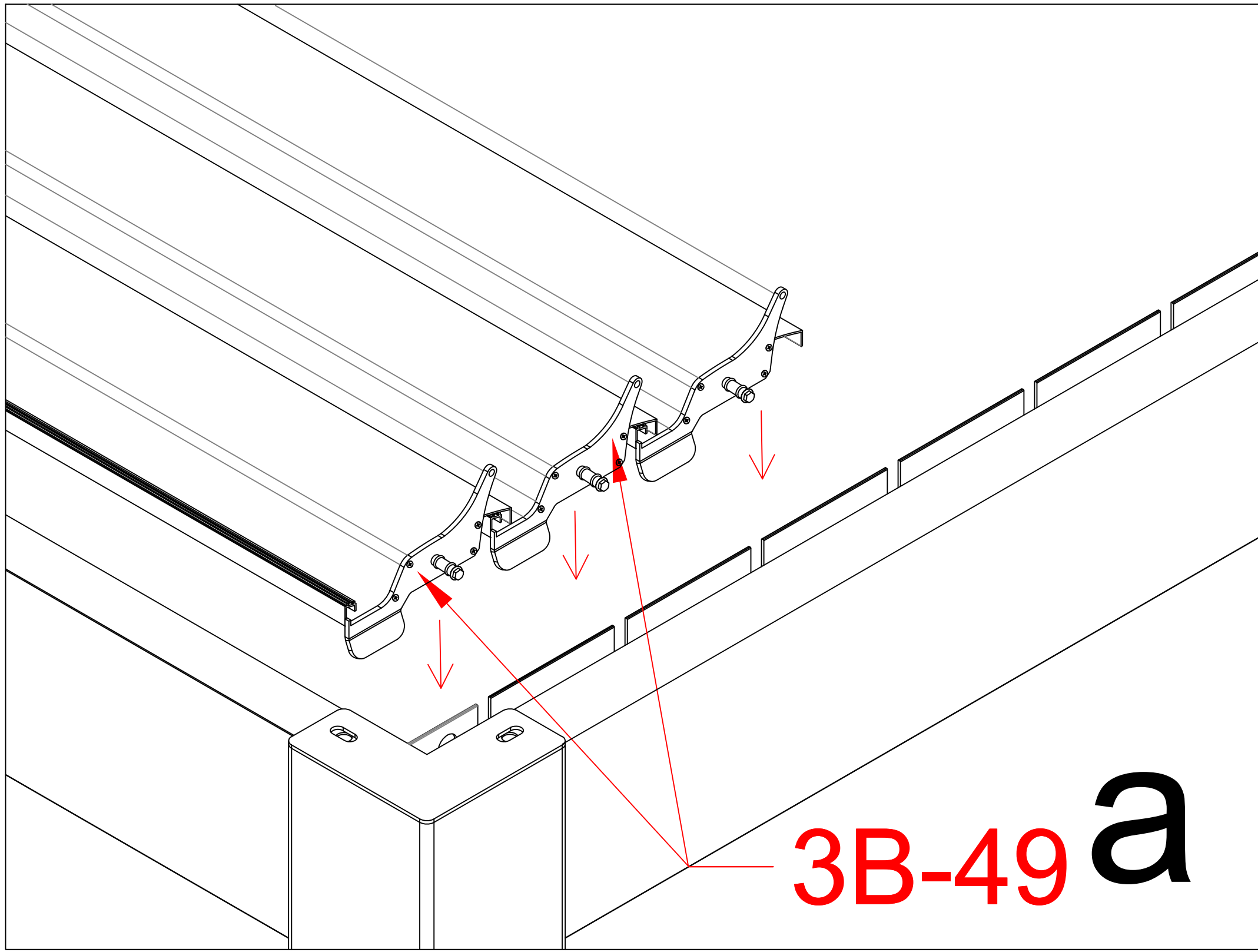
3B-51	
3B-06	
3B-48	
3B-07	
3B-48B	



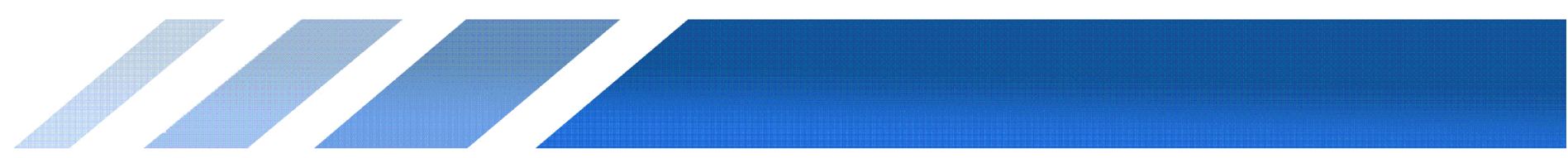
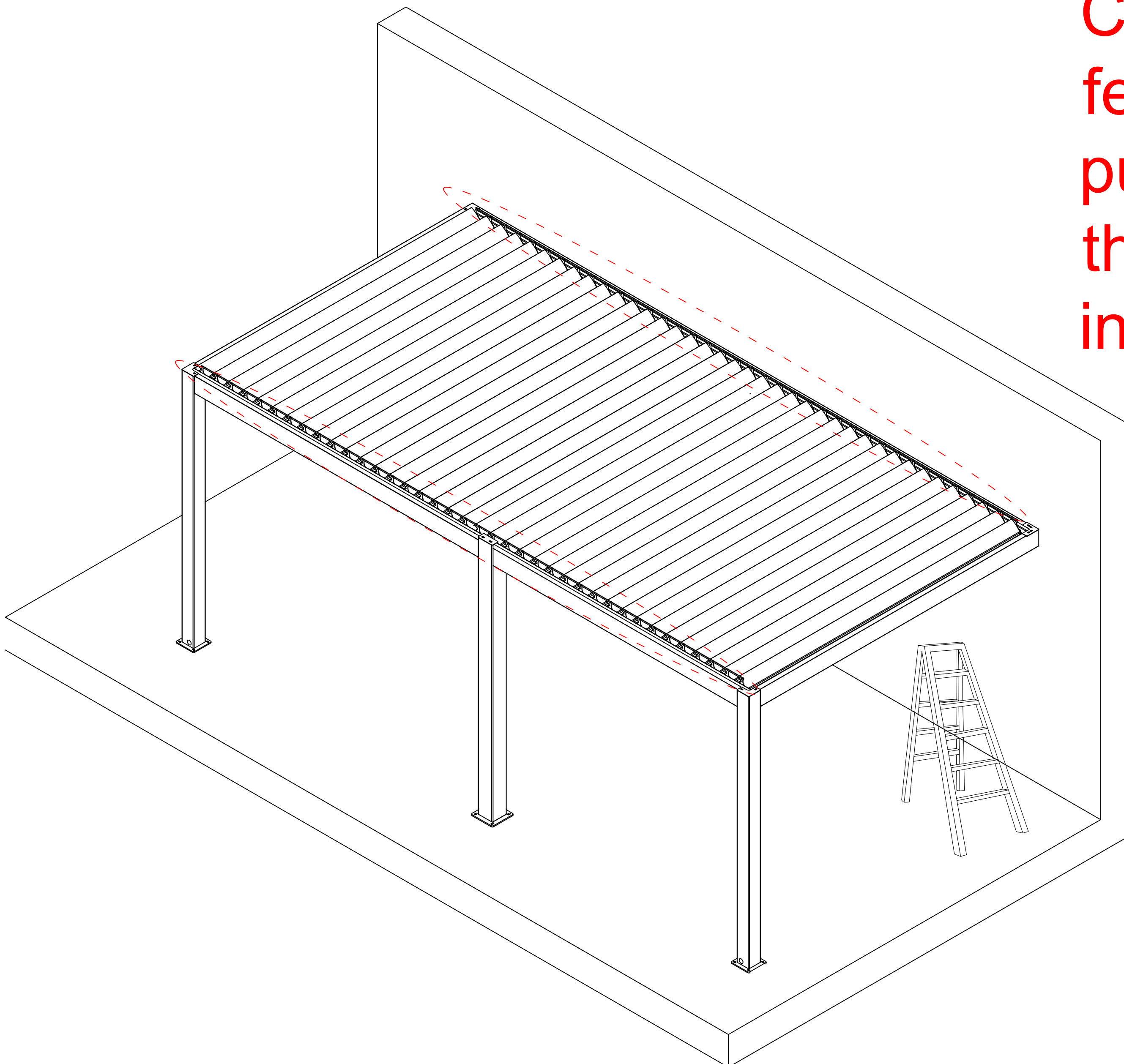


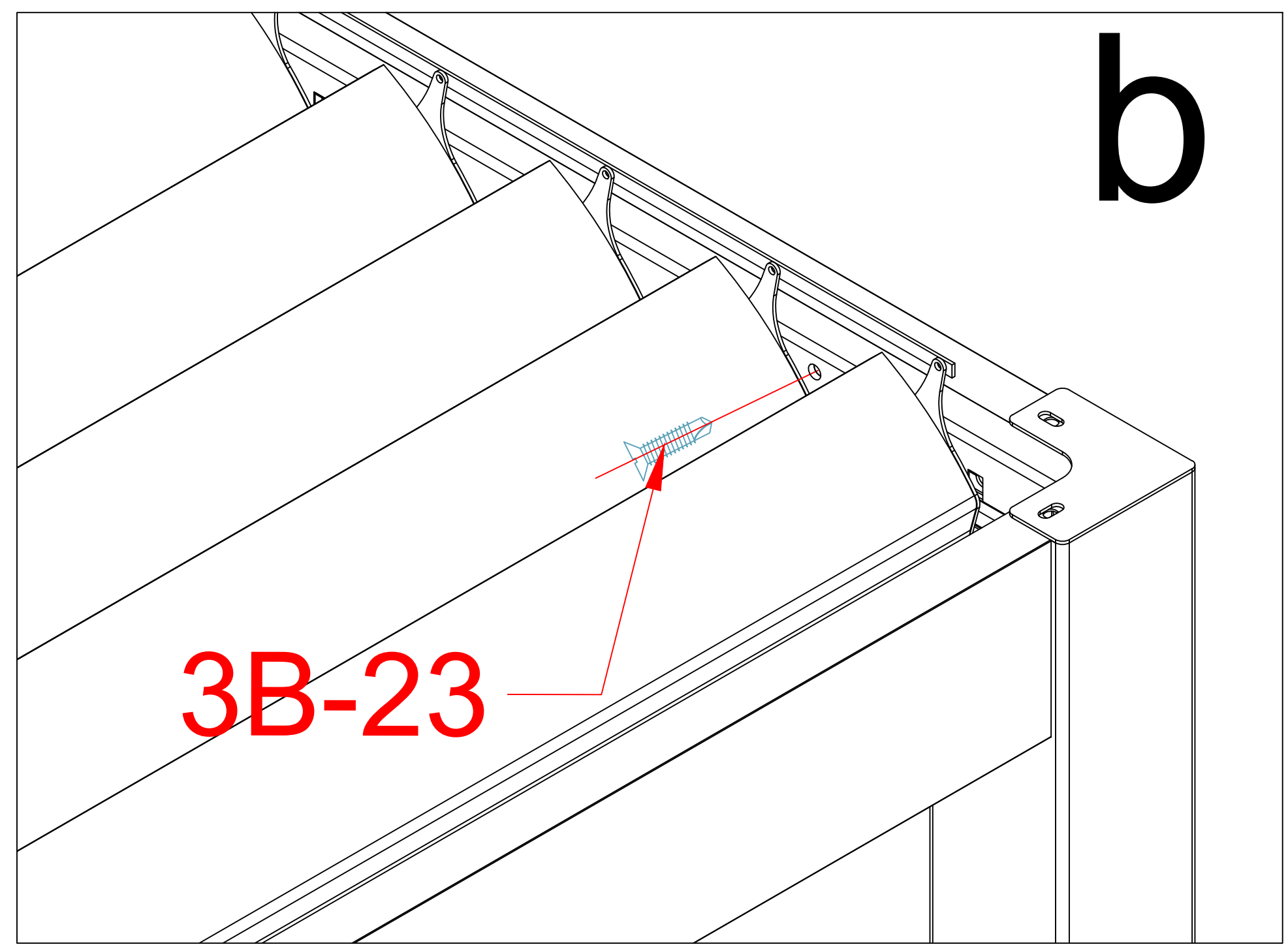
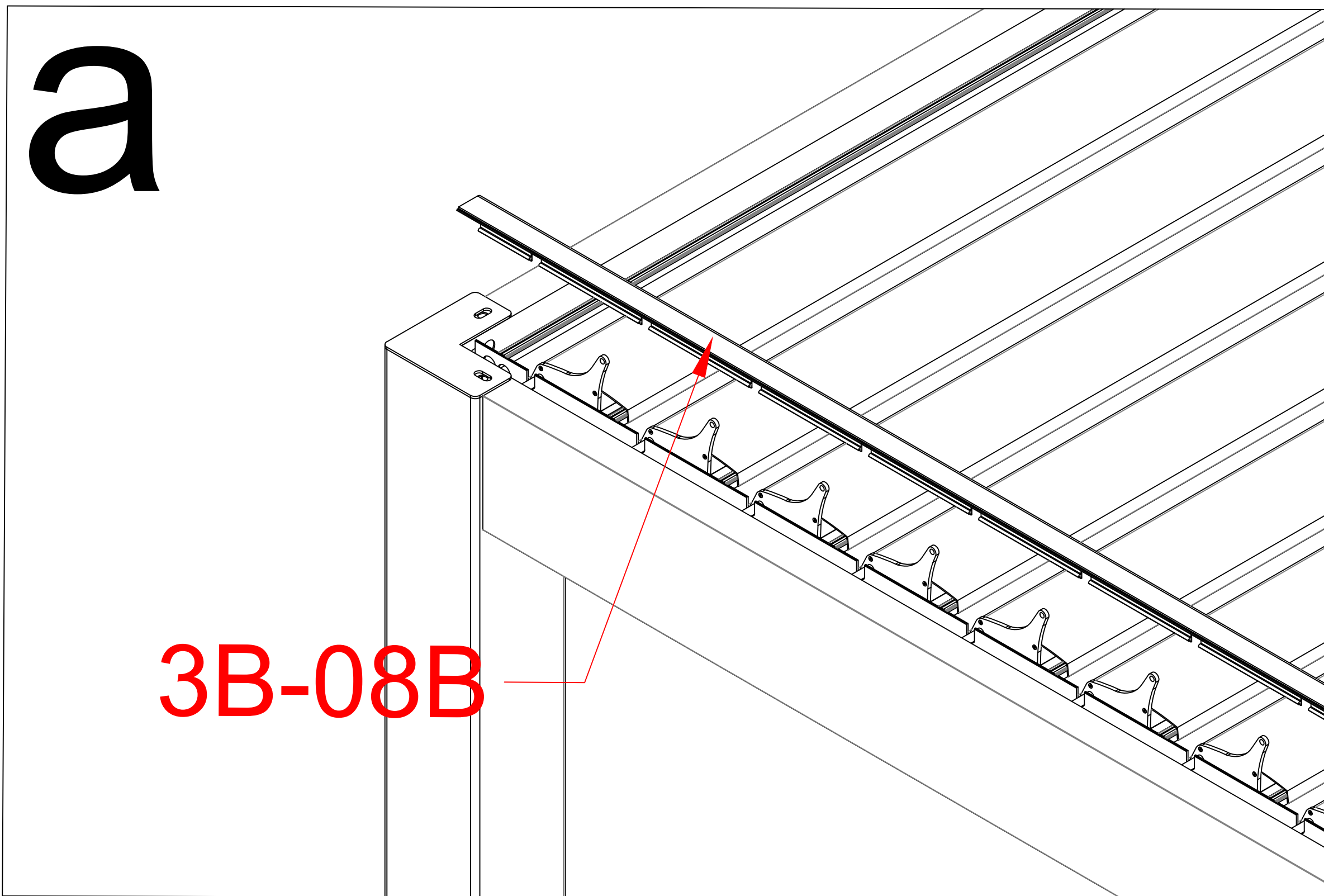
3B-49	
3B-49B	
3B-51	



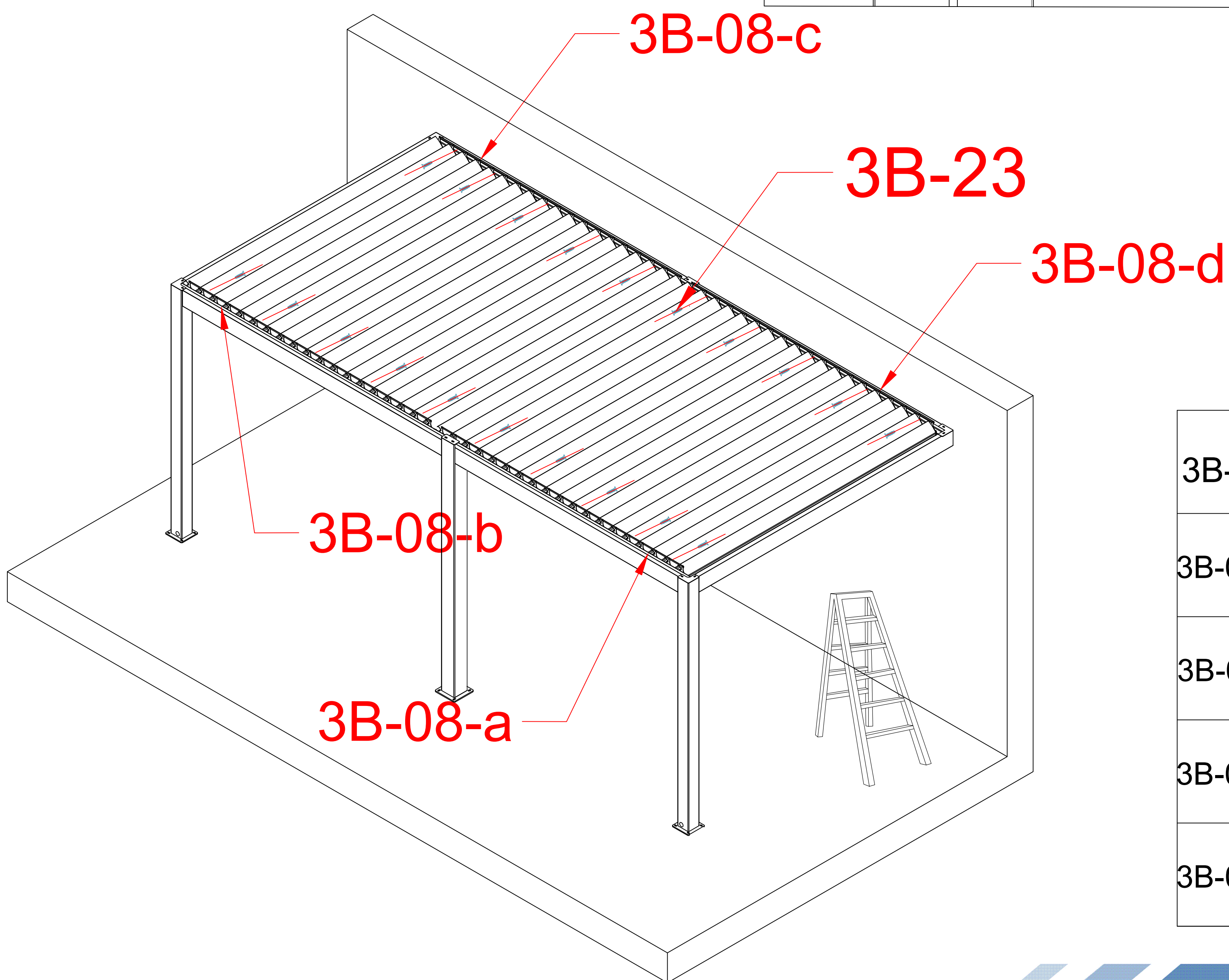
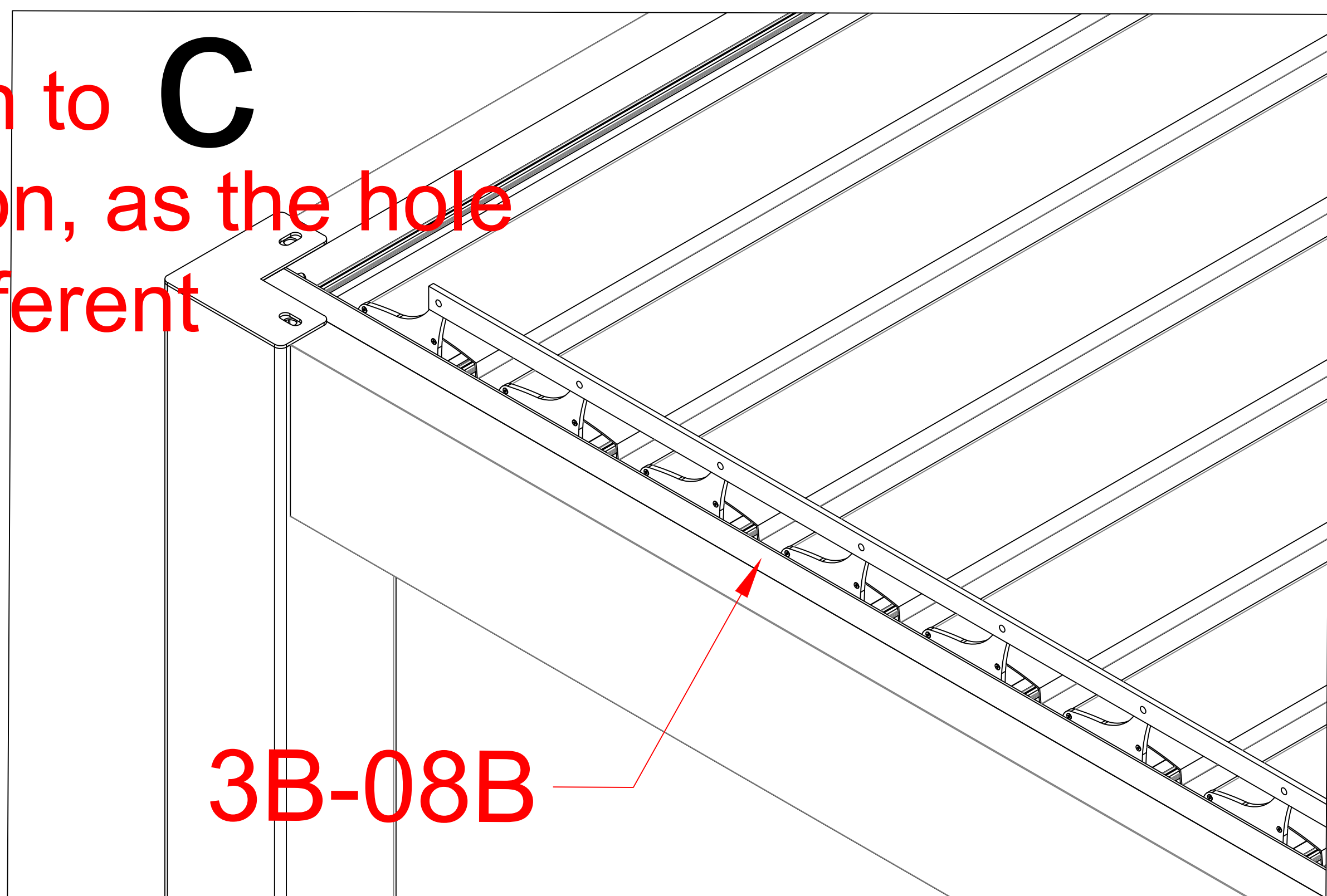


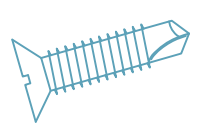
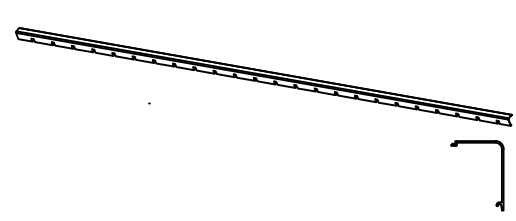
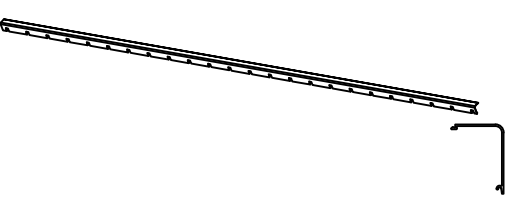
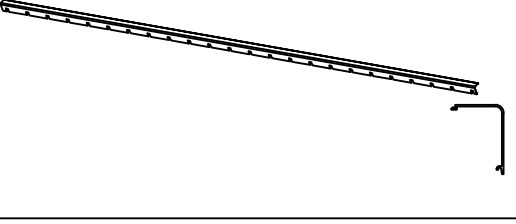
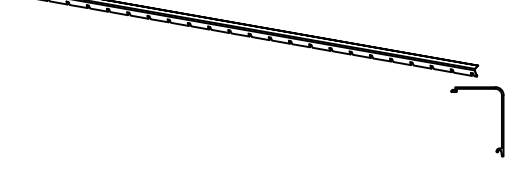
Connecting the male and female connectors, then put them into the holes in the main beam, and finally insert the plugs.

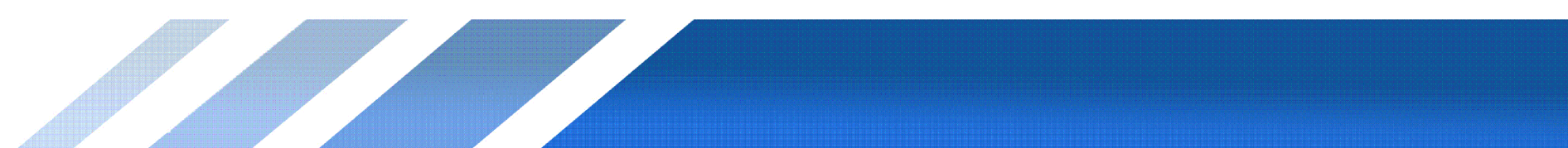


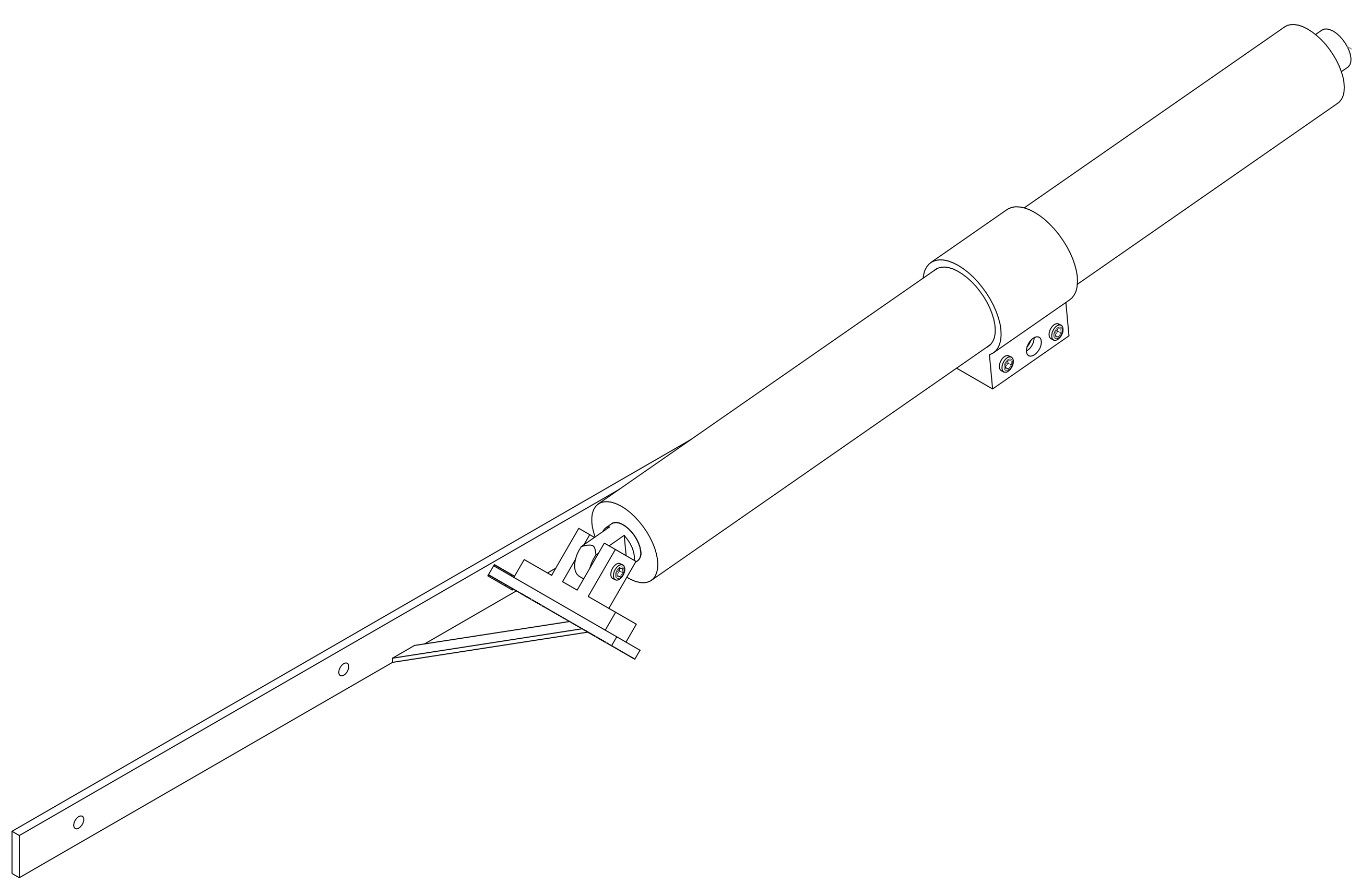
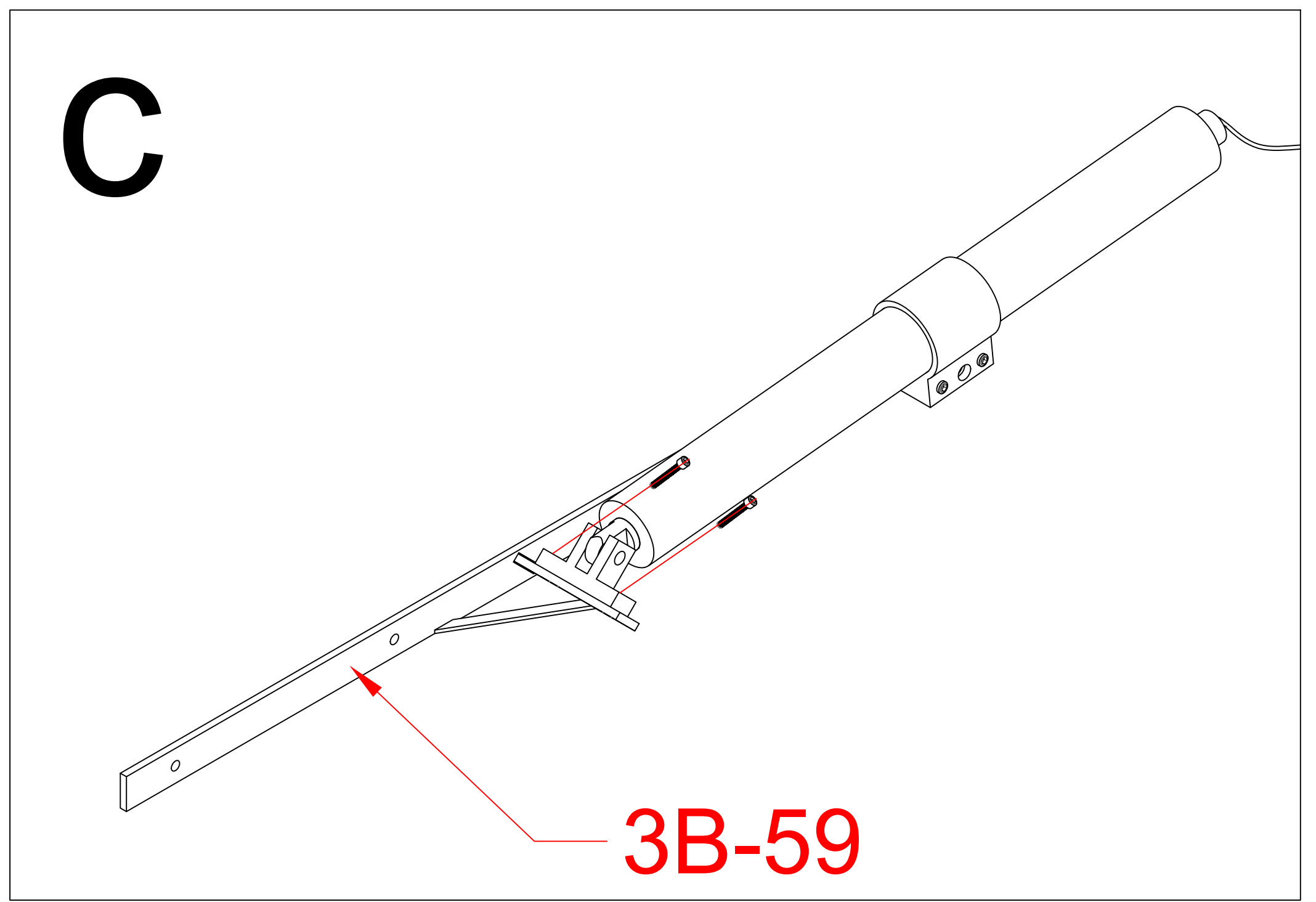
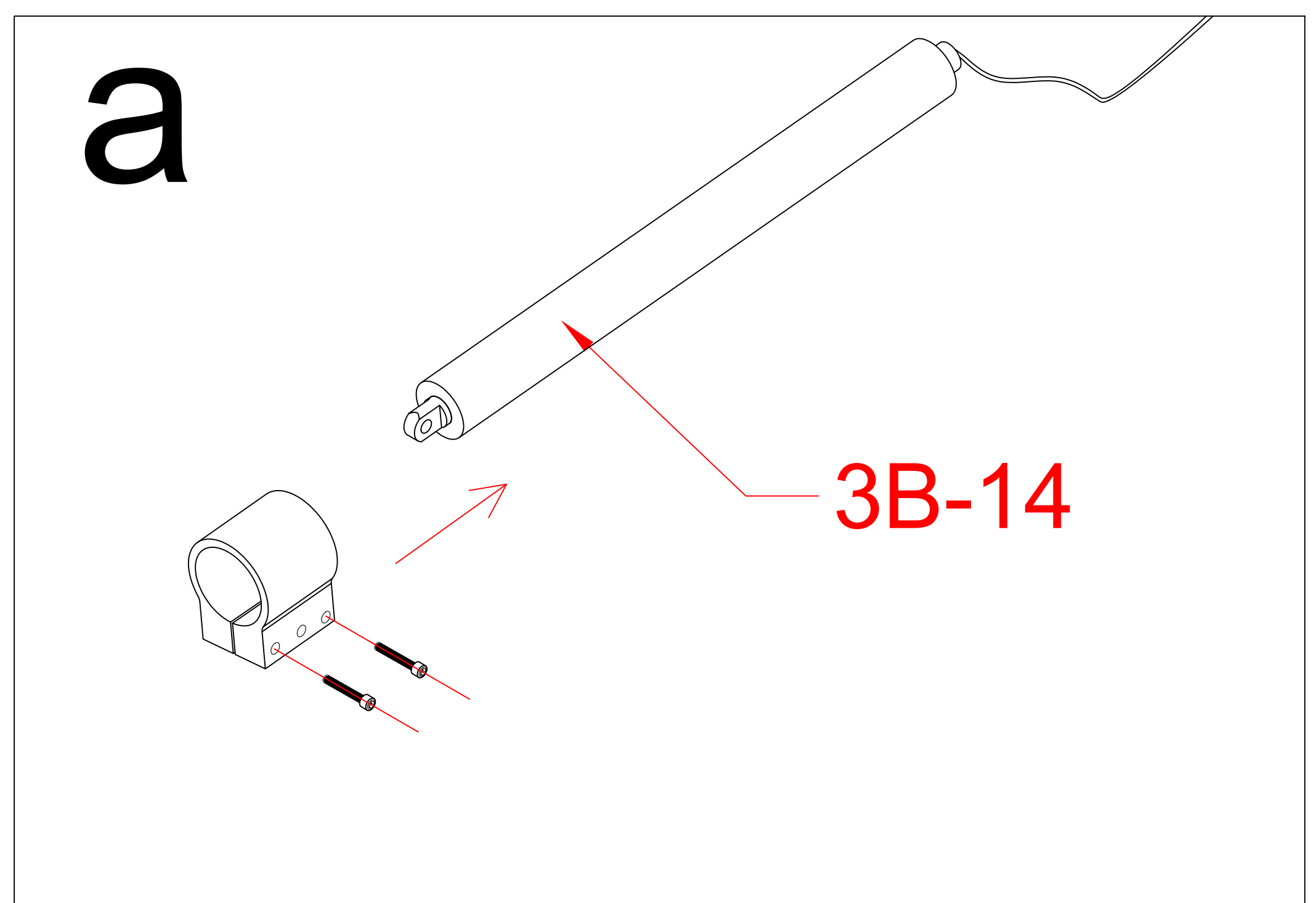
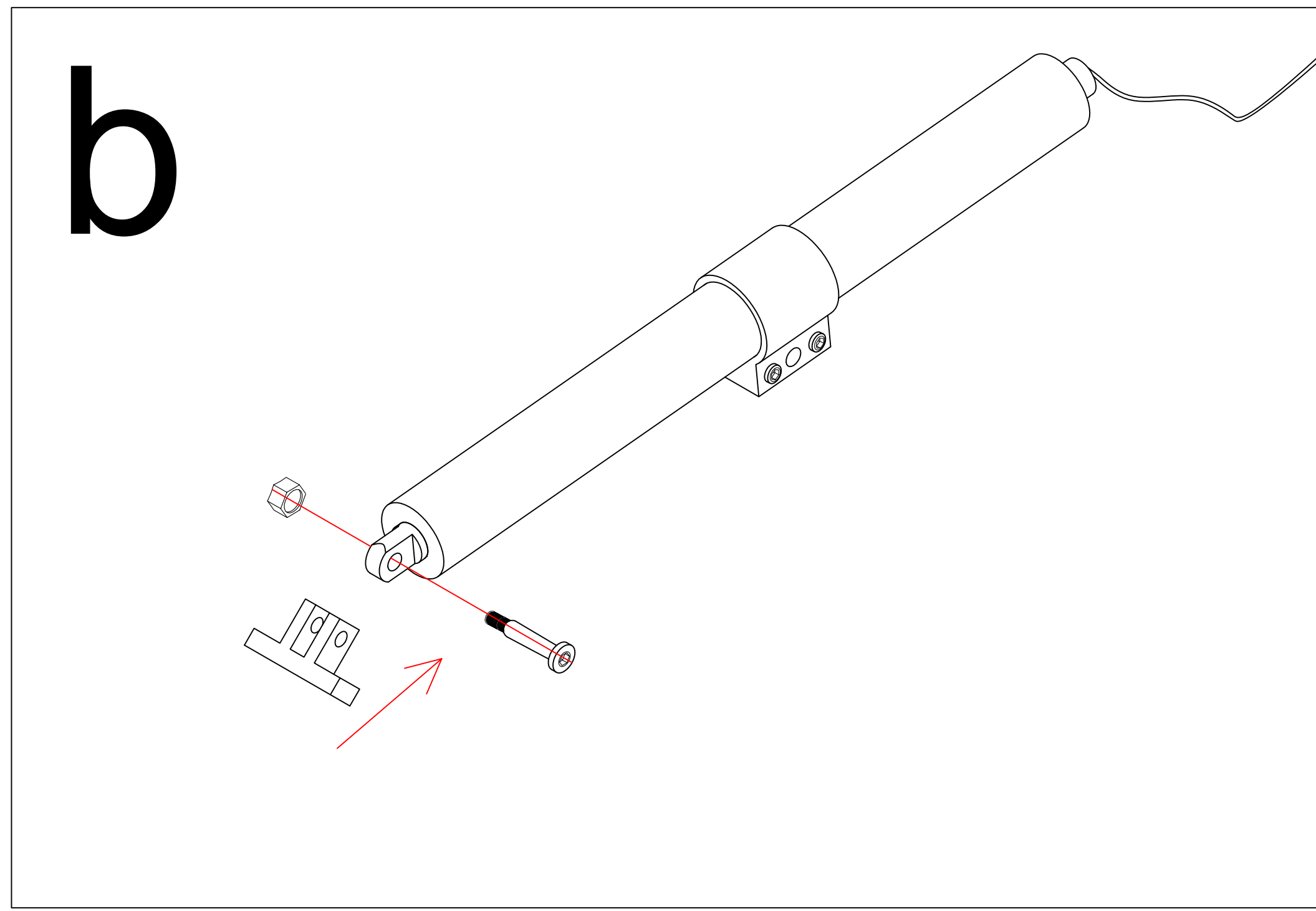


Attention: Please pay attention to differentiation during installation, as the hole positions on both sides are different

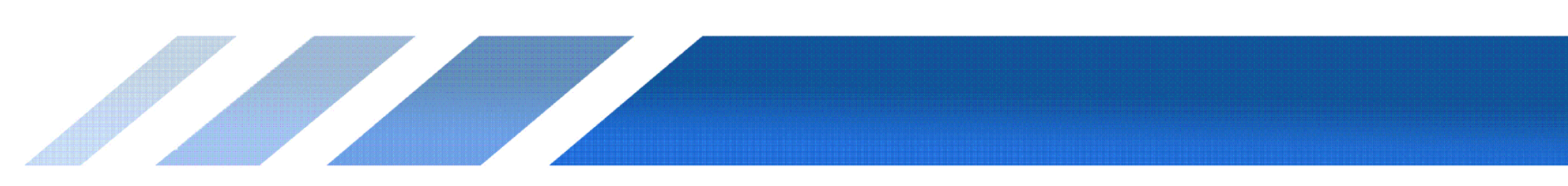


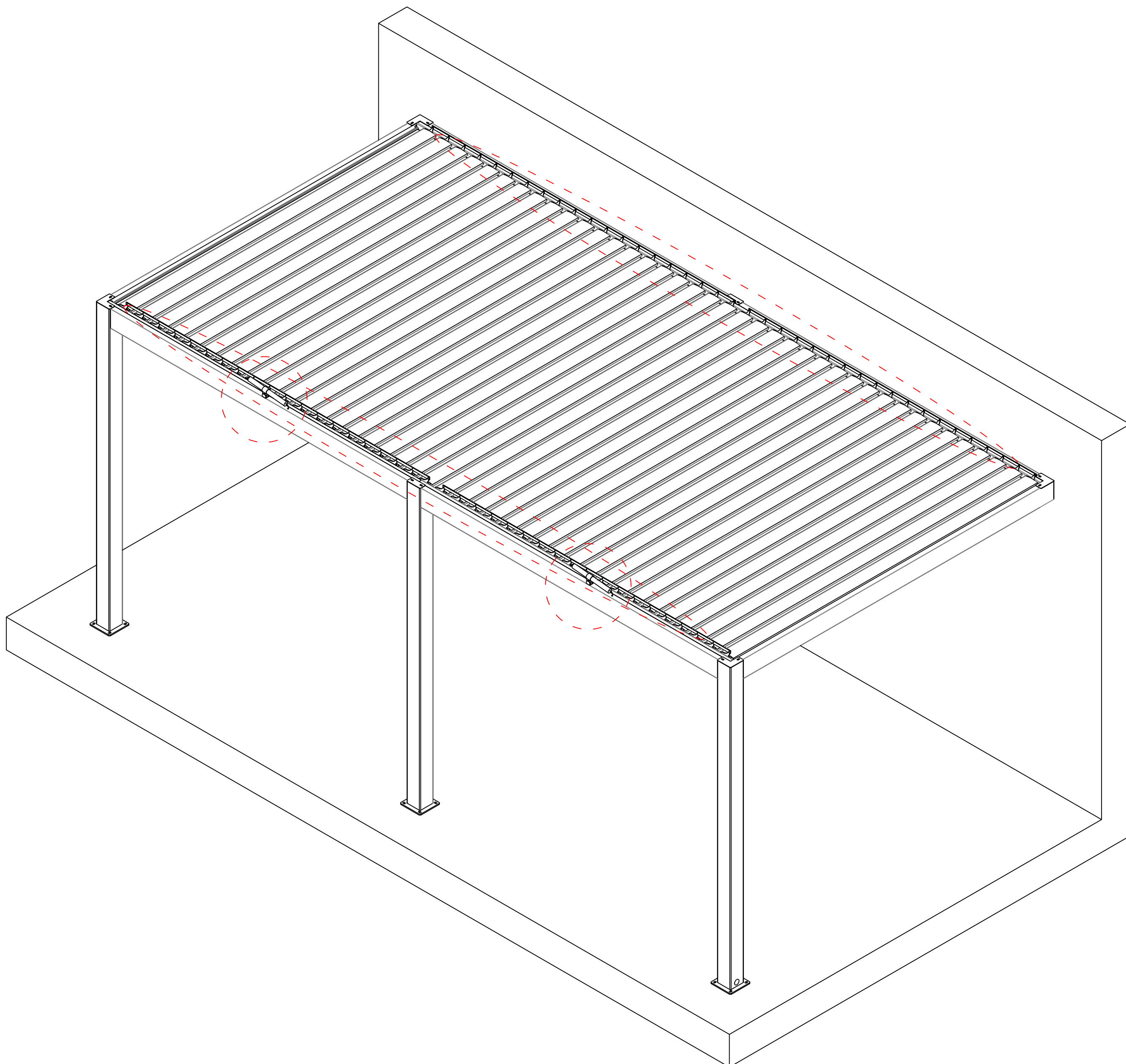
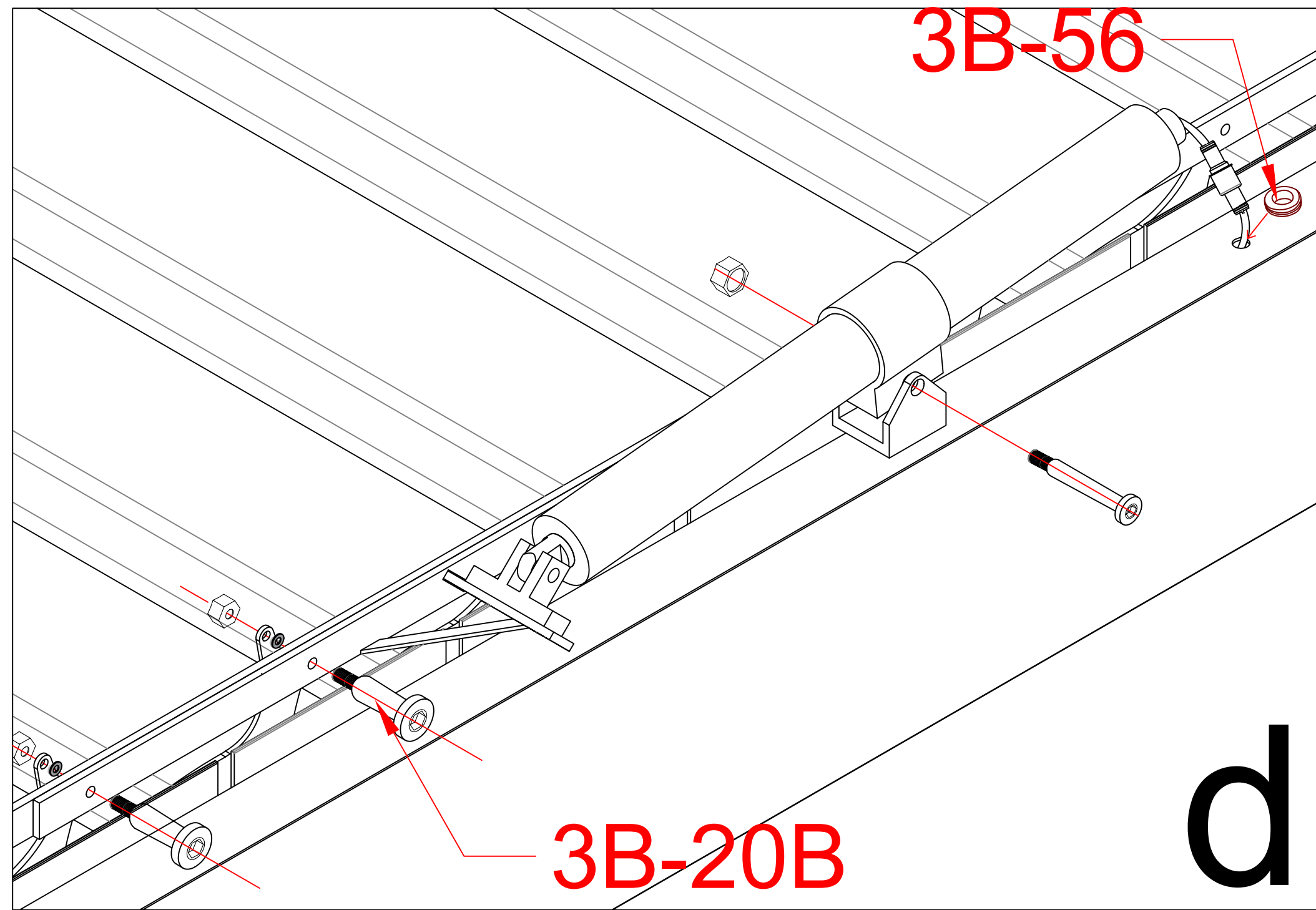
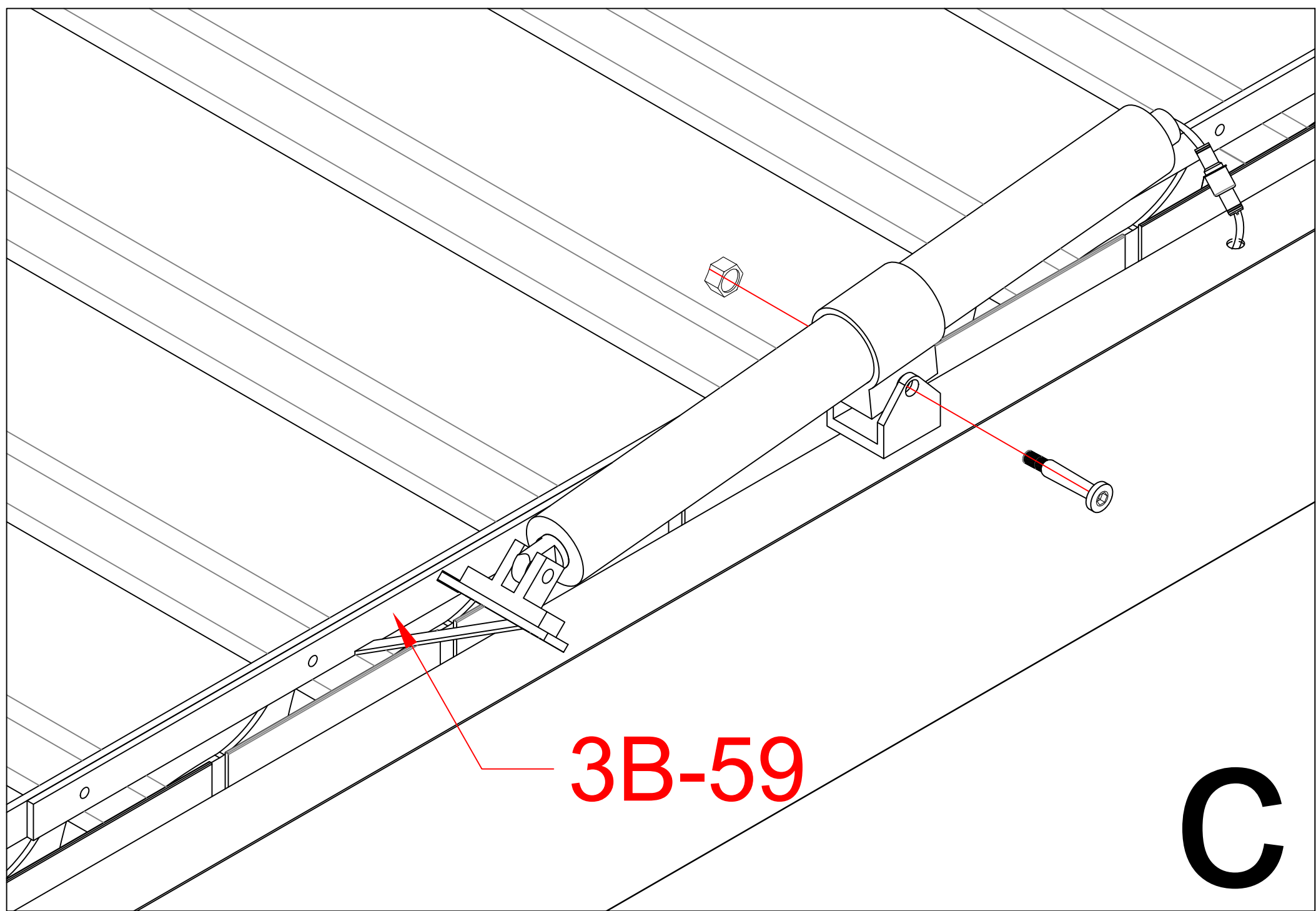
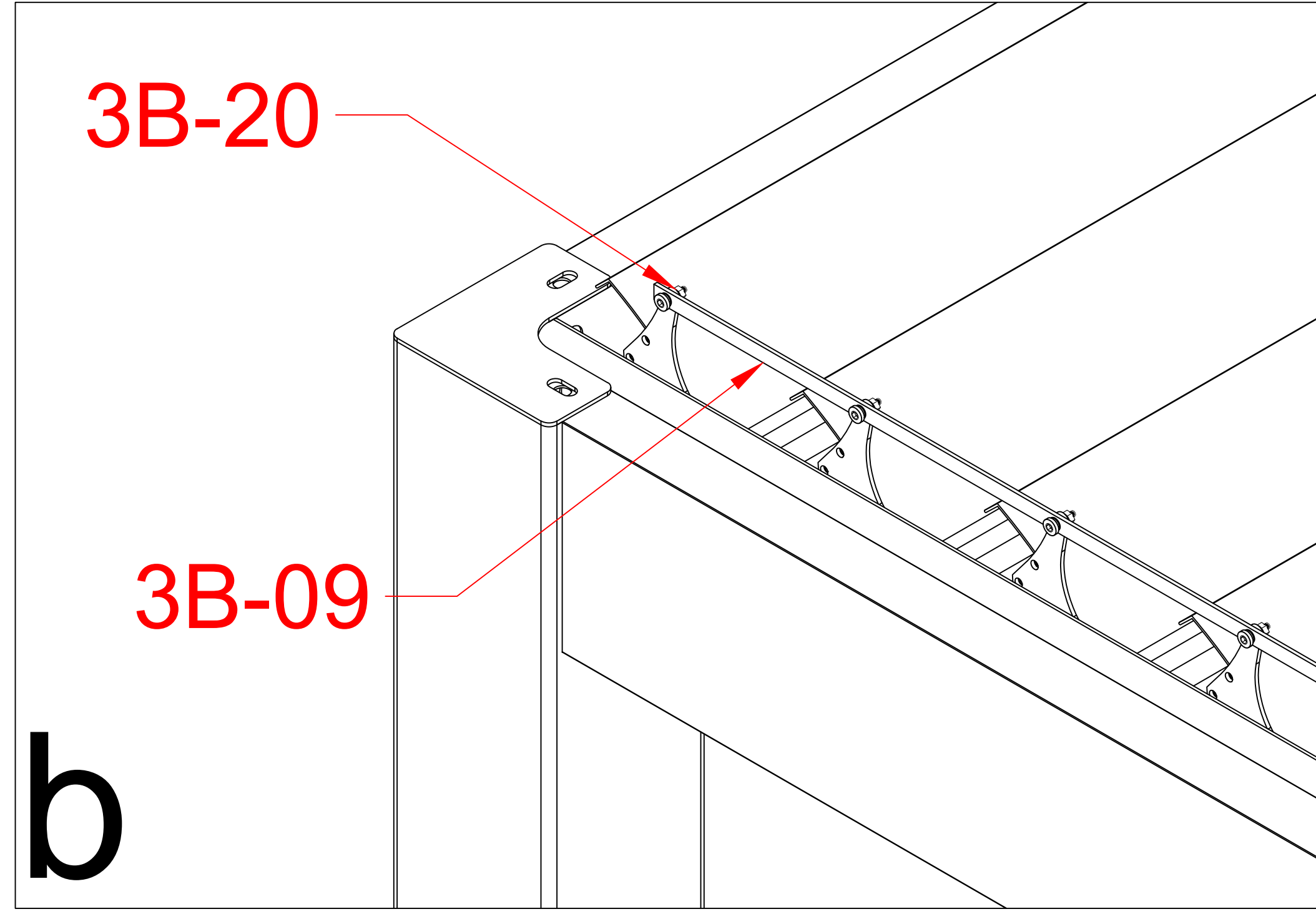
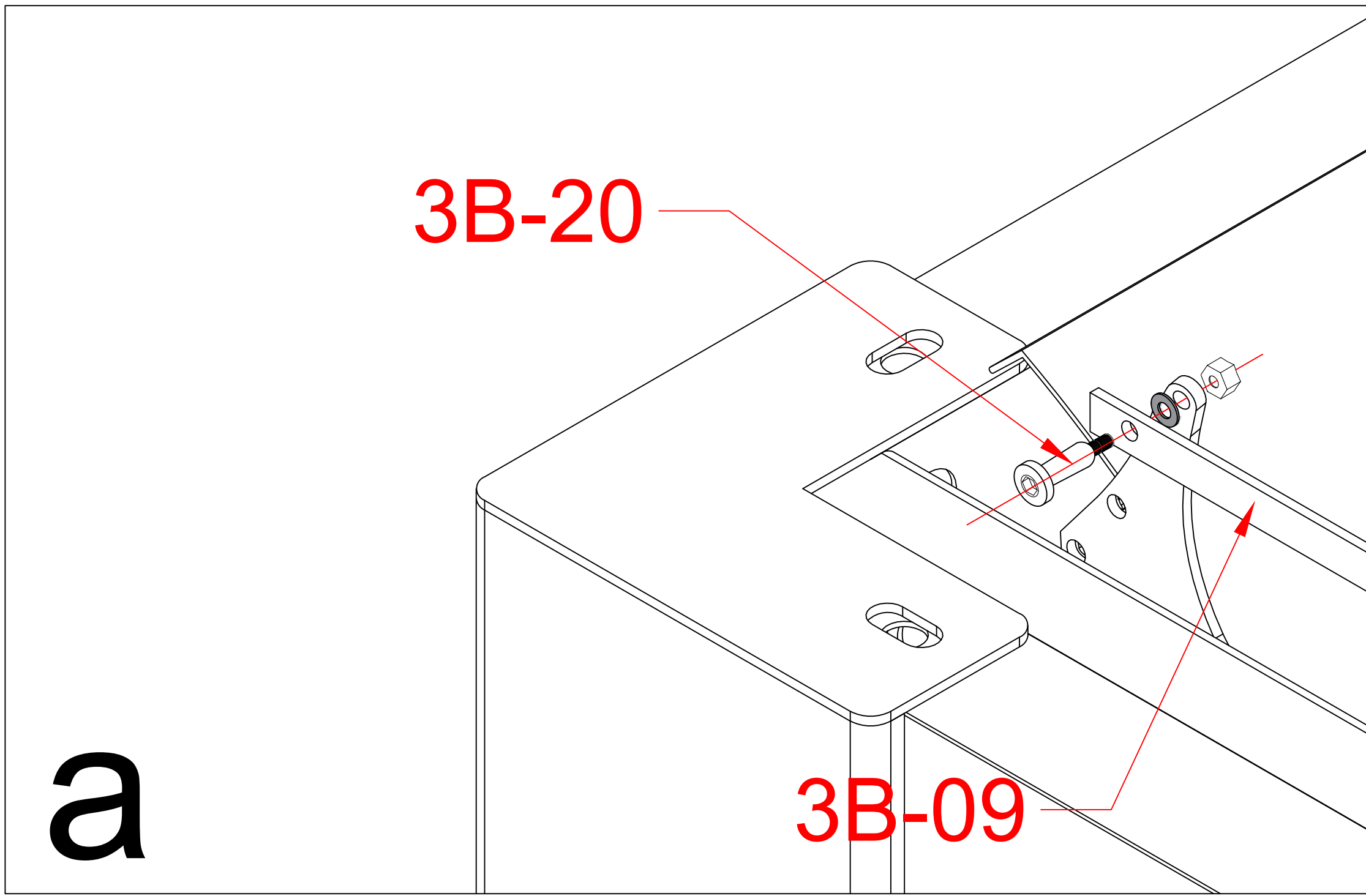
3B-23		20
3B-08A		1
3B-08B		1
3B-08C		1
3B-08D		1





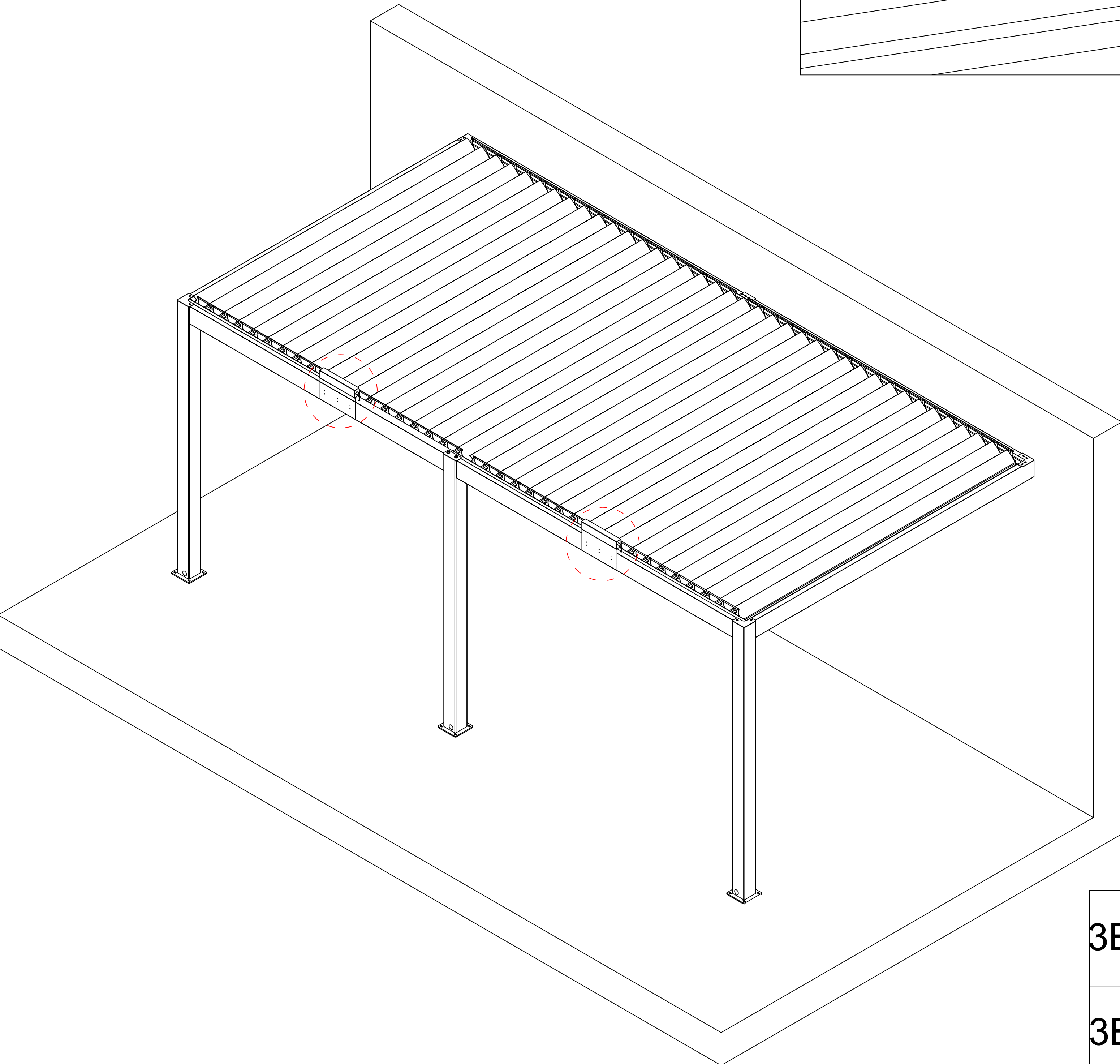
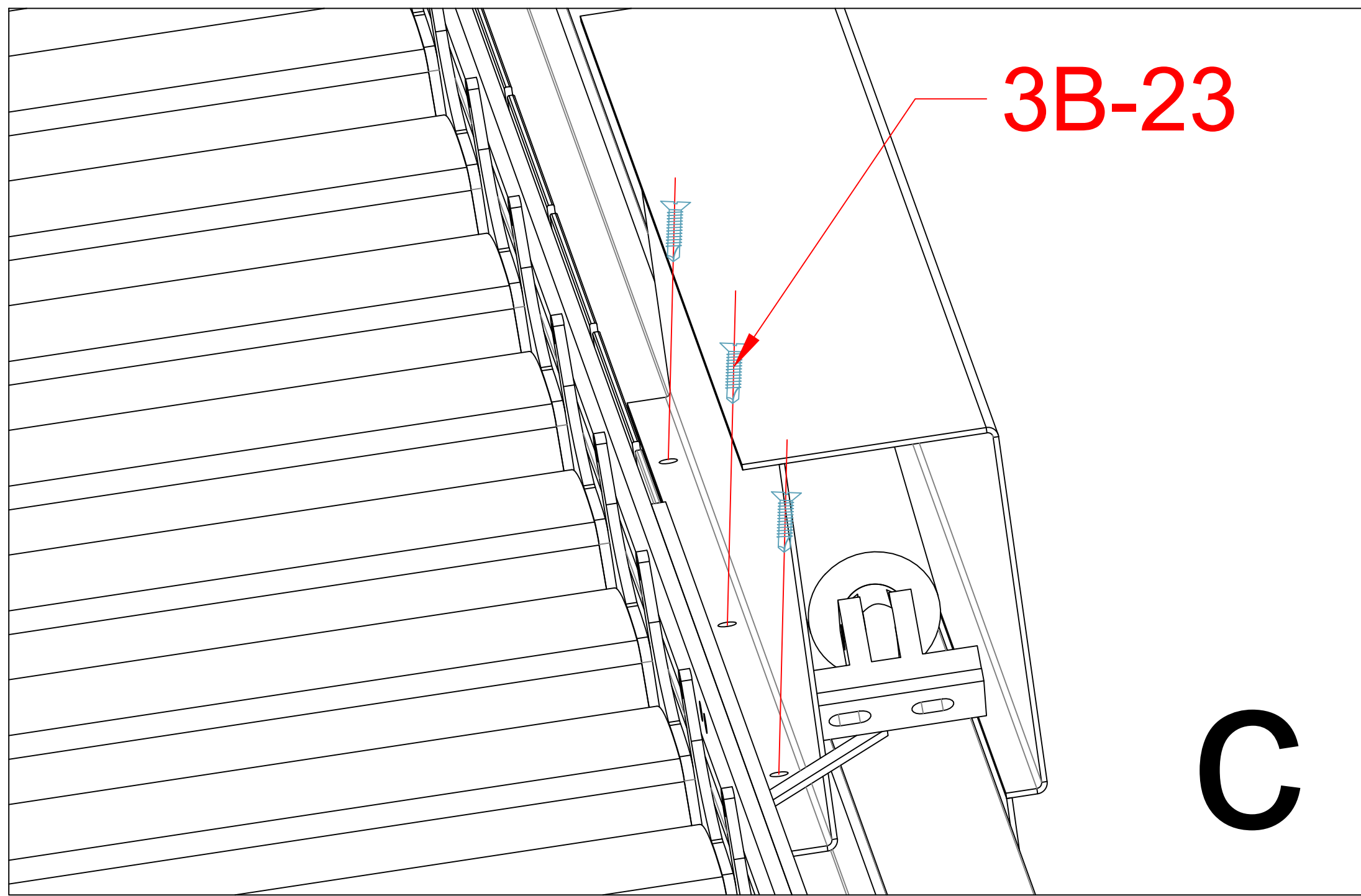
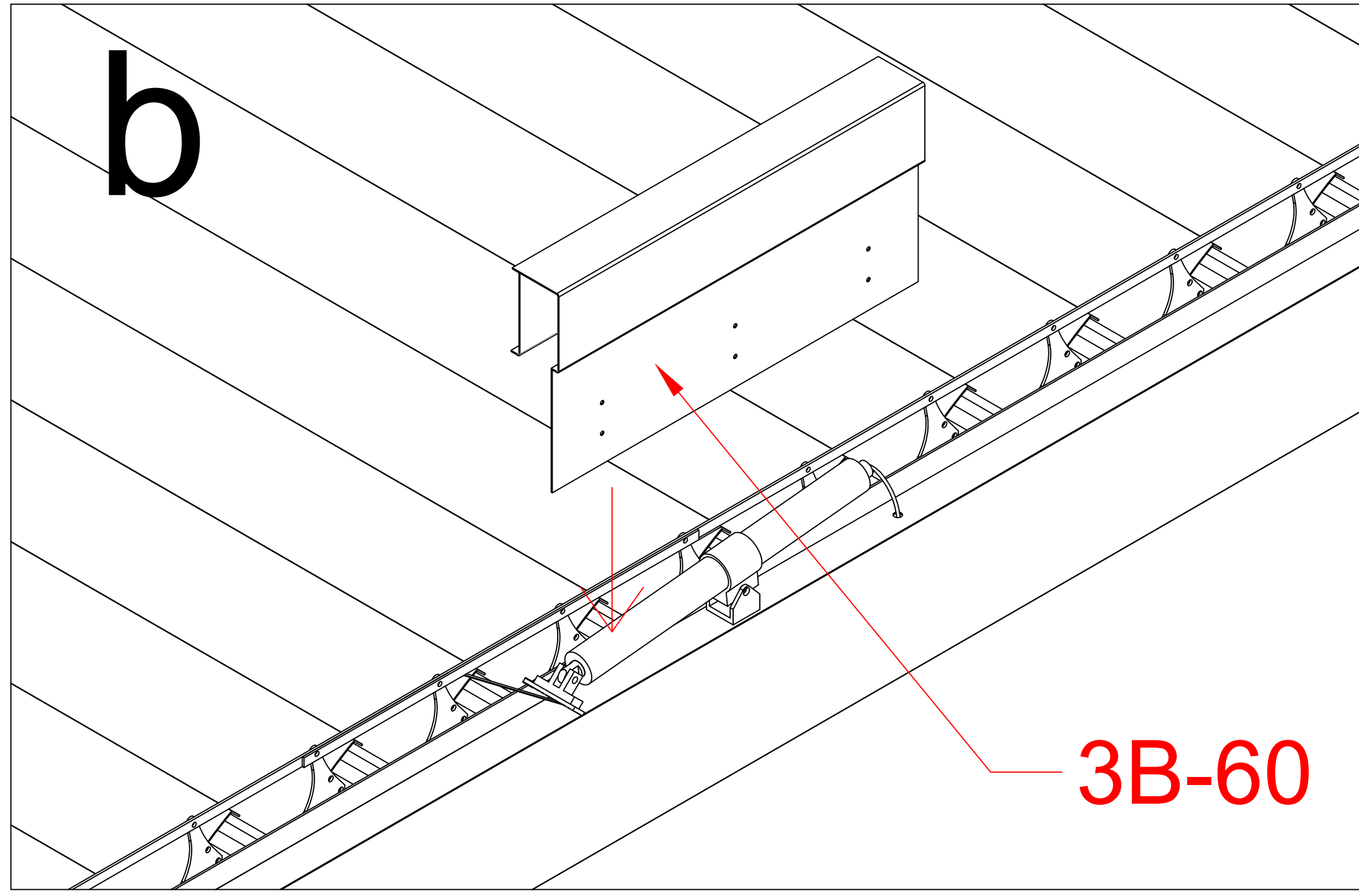
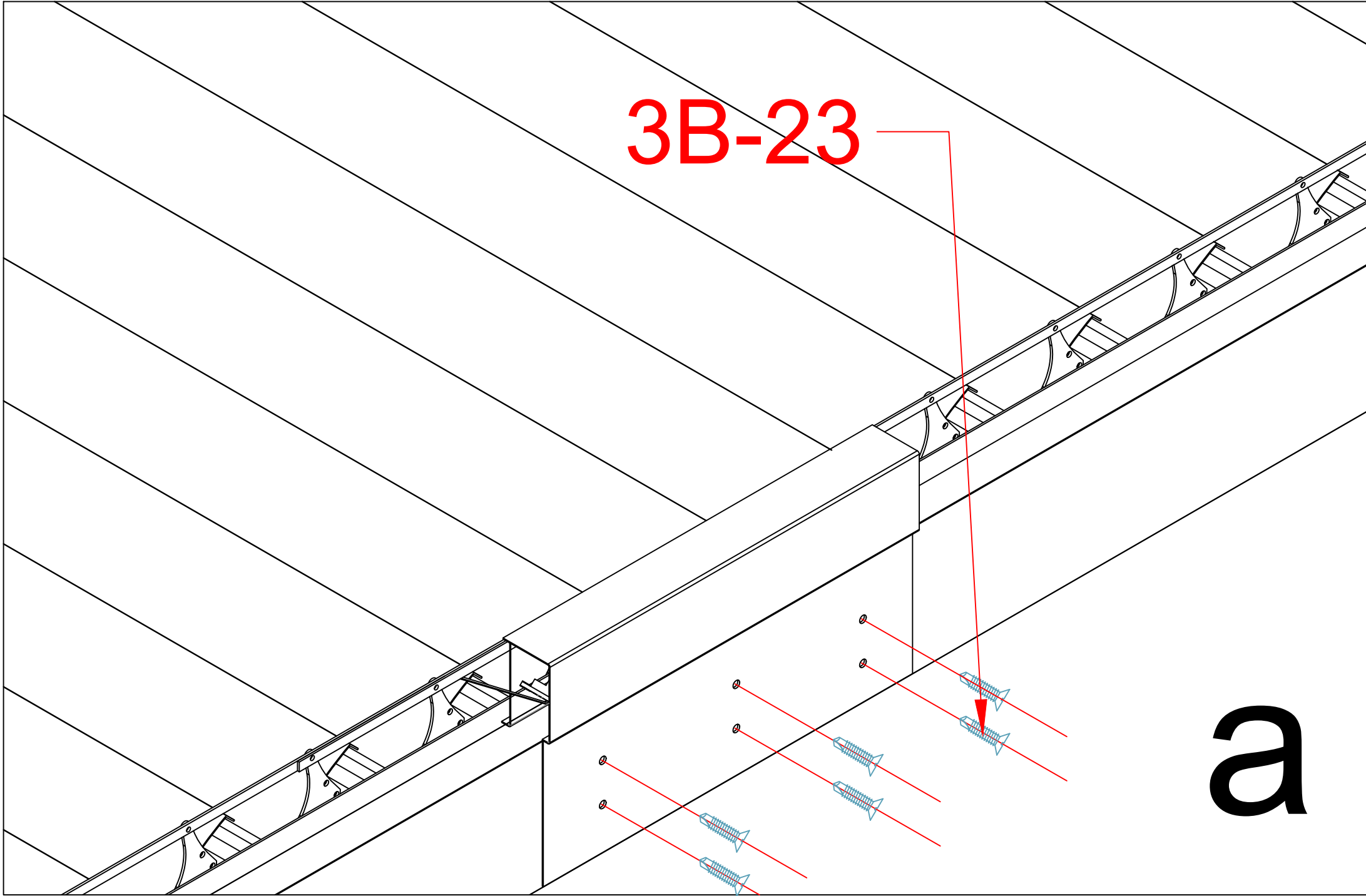
3B-14		2
3B-59		2

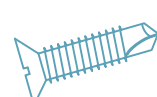
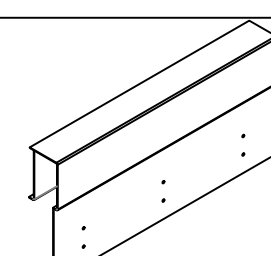


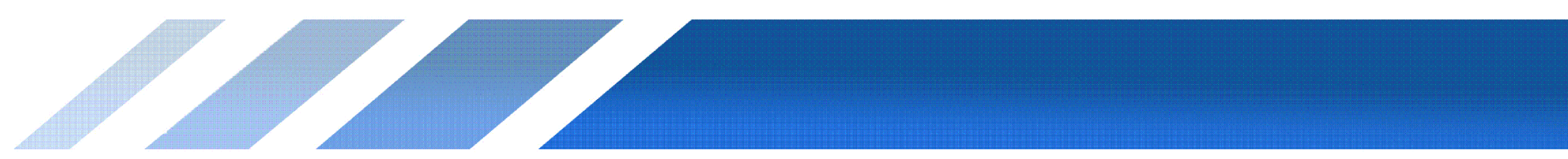


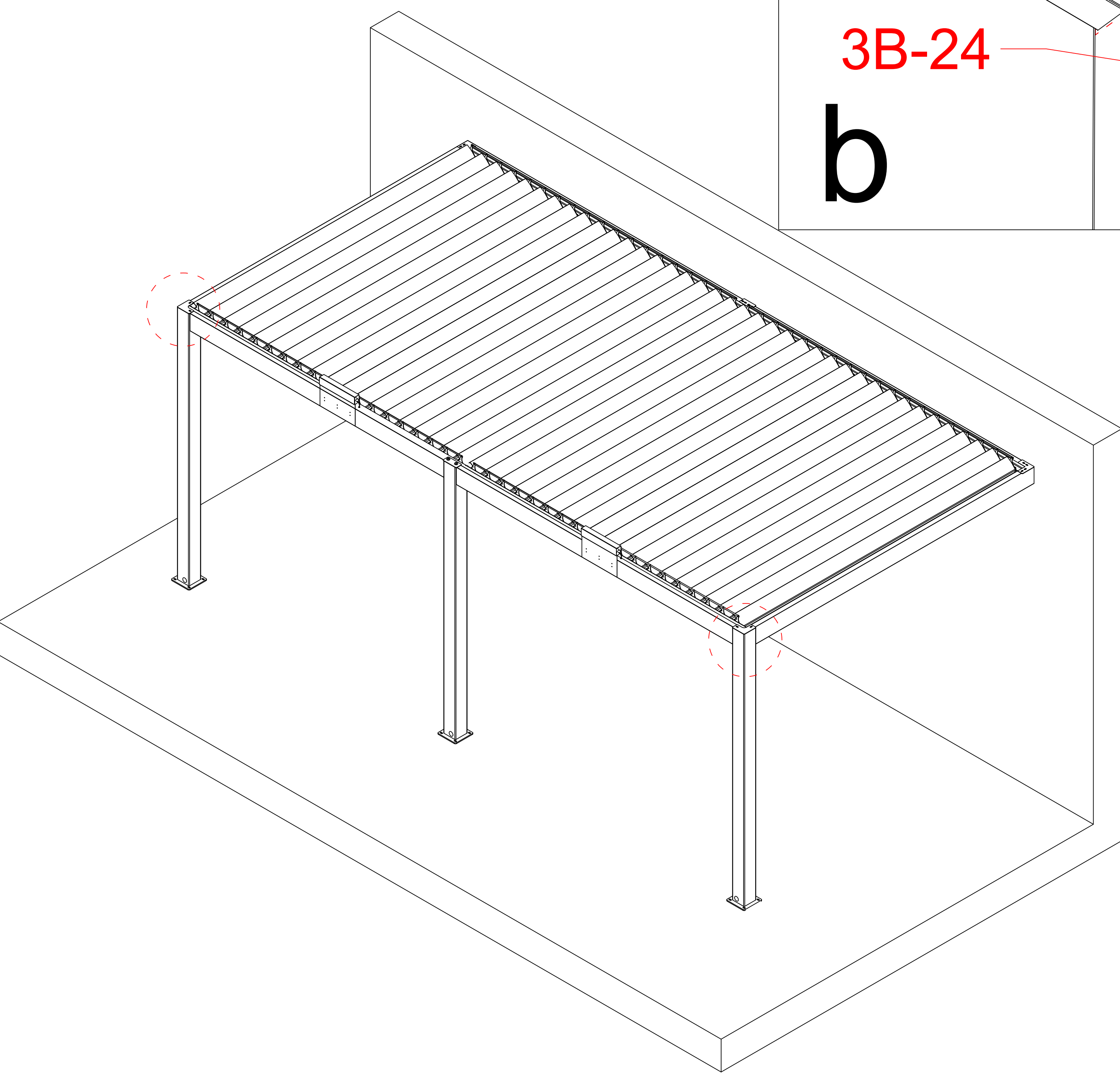
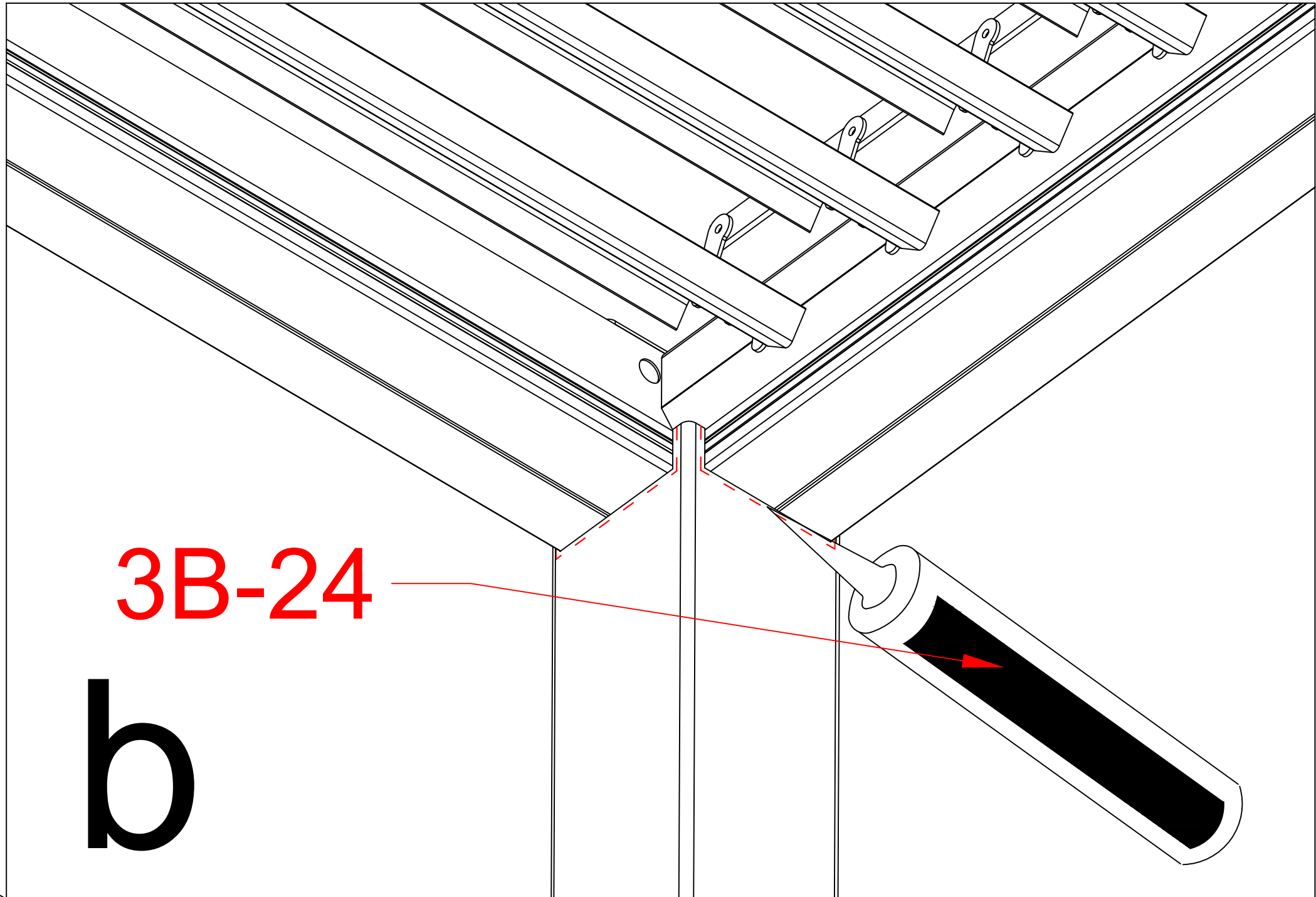
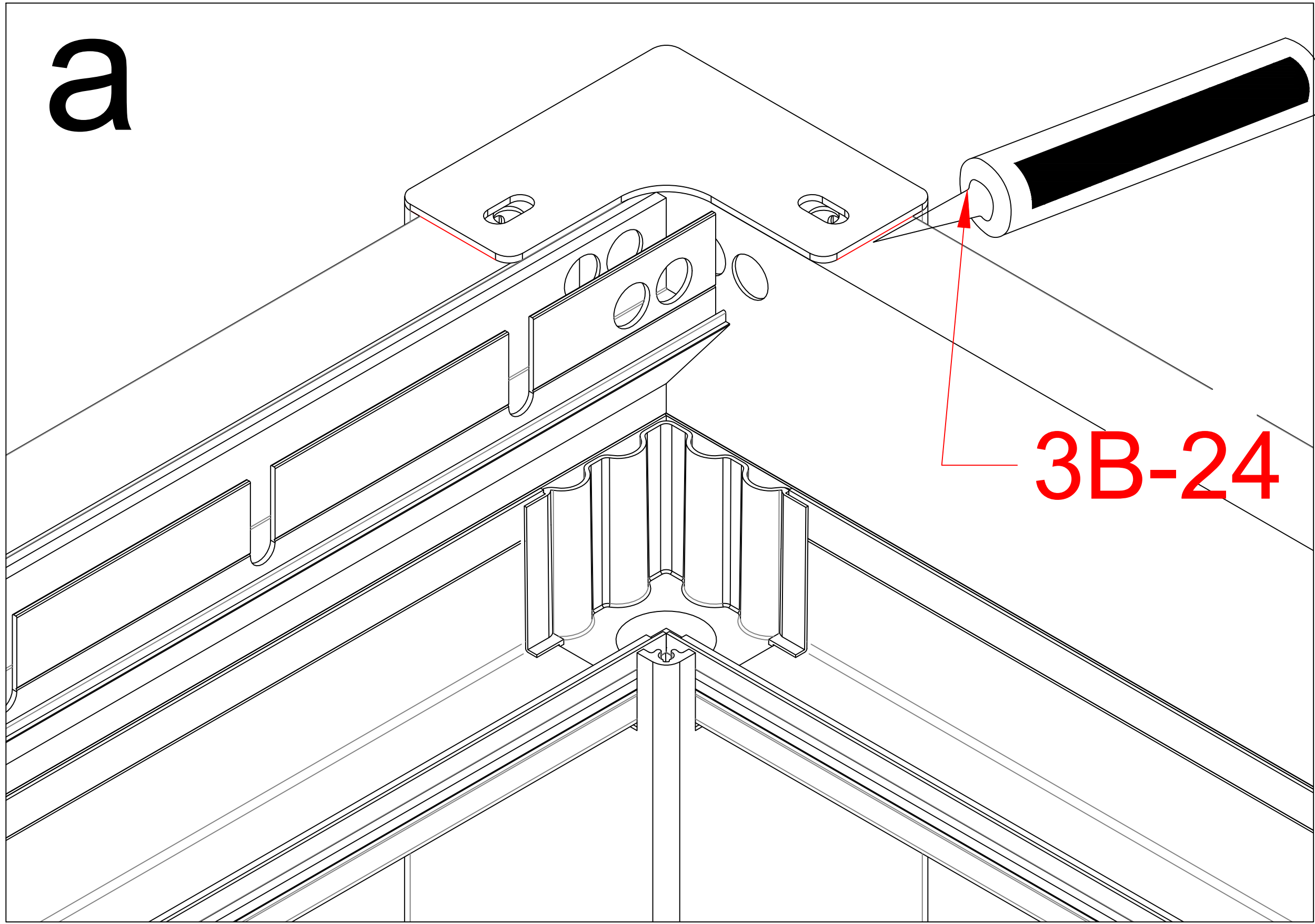
3B-56		2
3B-09		4
3B-20	 5-12-M4	x
3B-20B	 5-16-M4	4



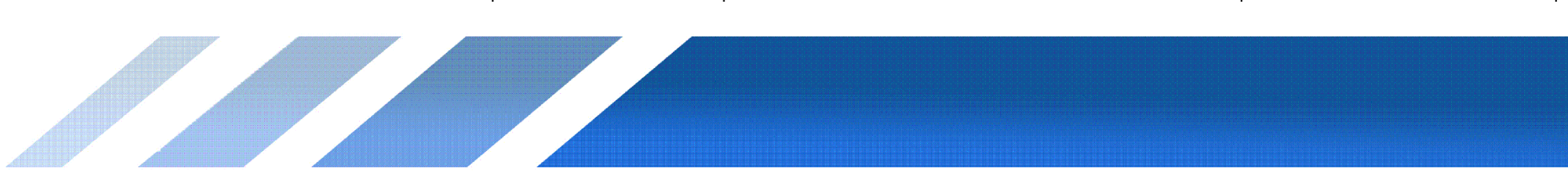


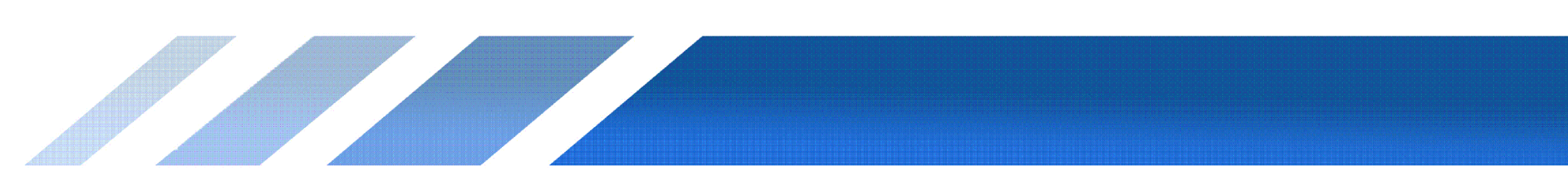
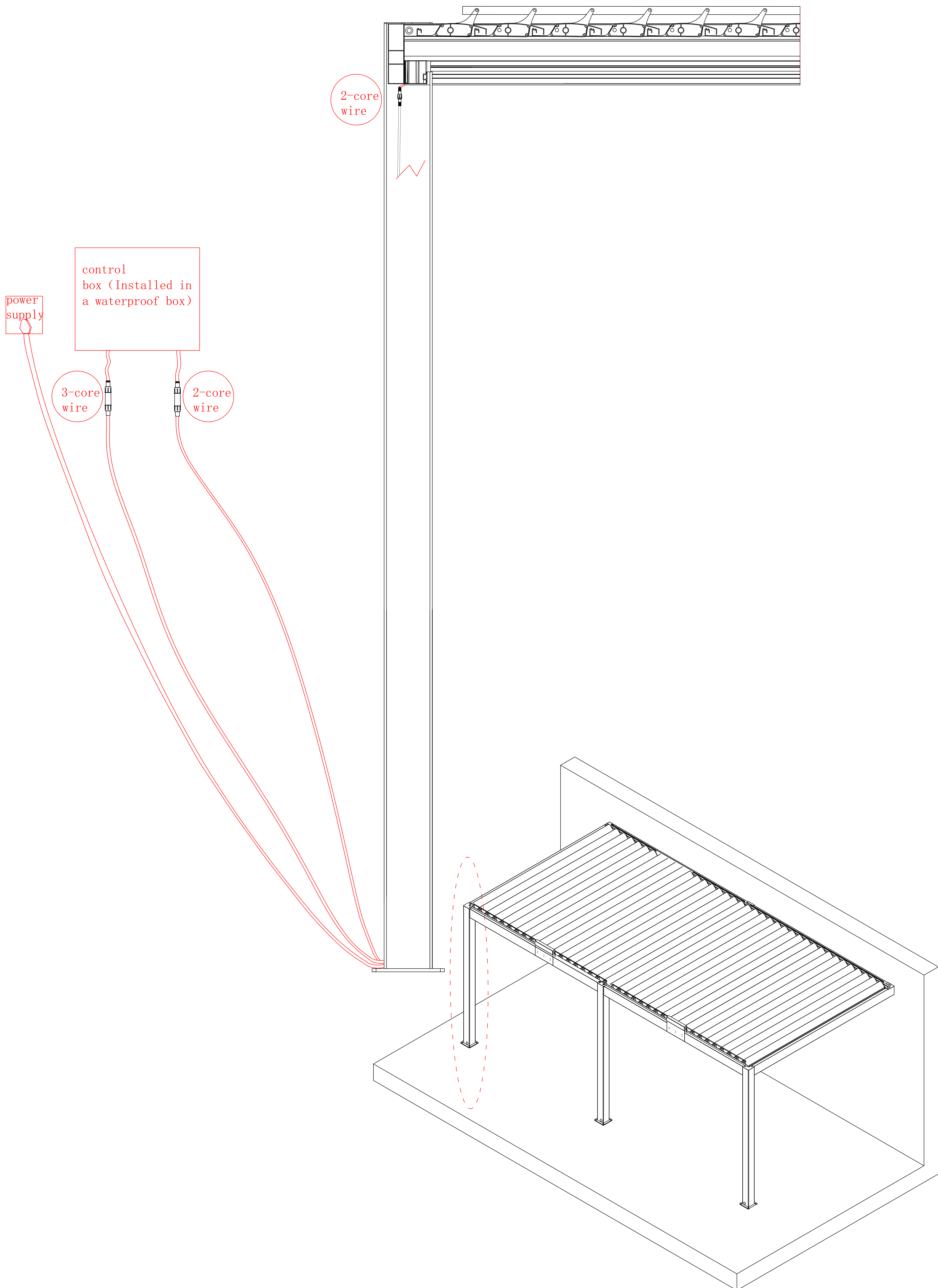
3B-23	 M4.2*19	18
3B-60		2

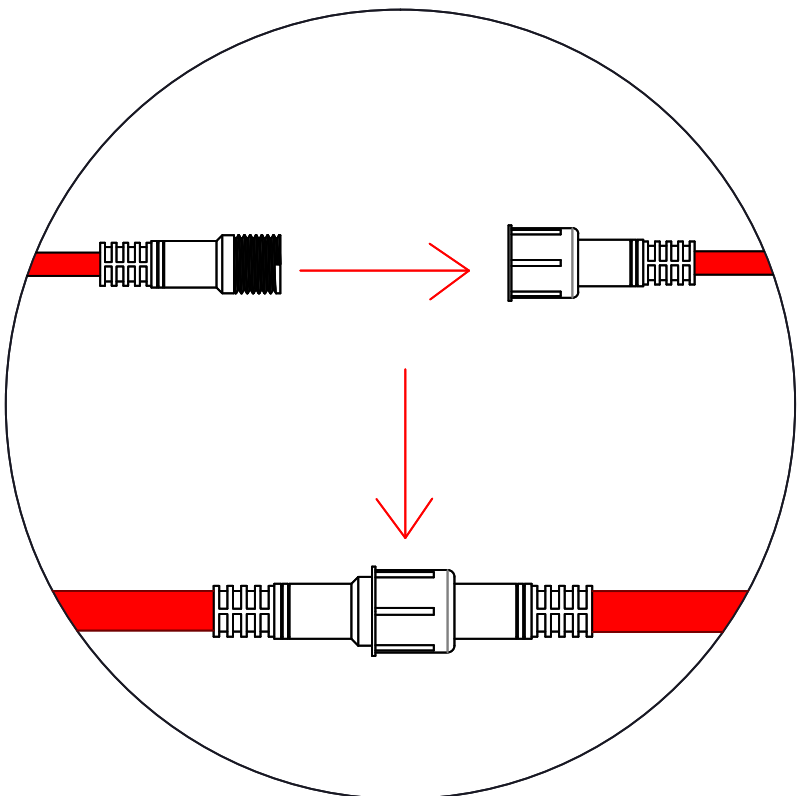
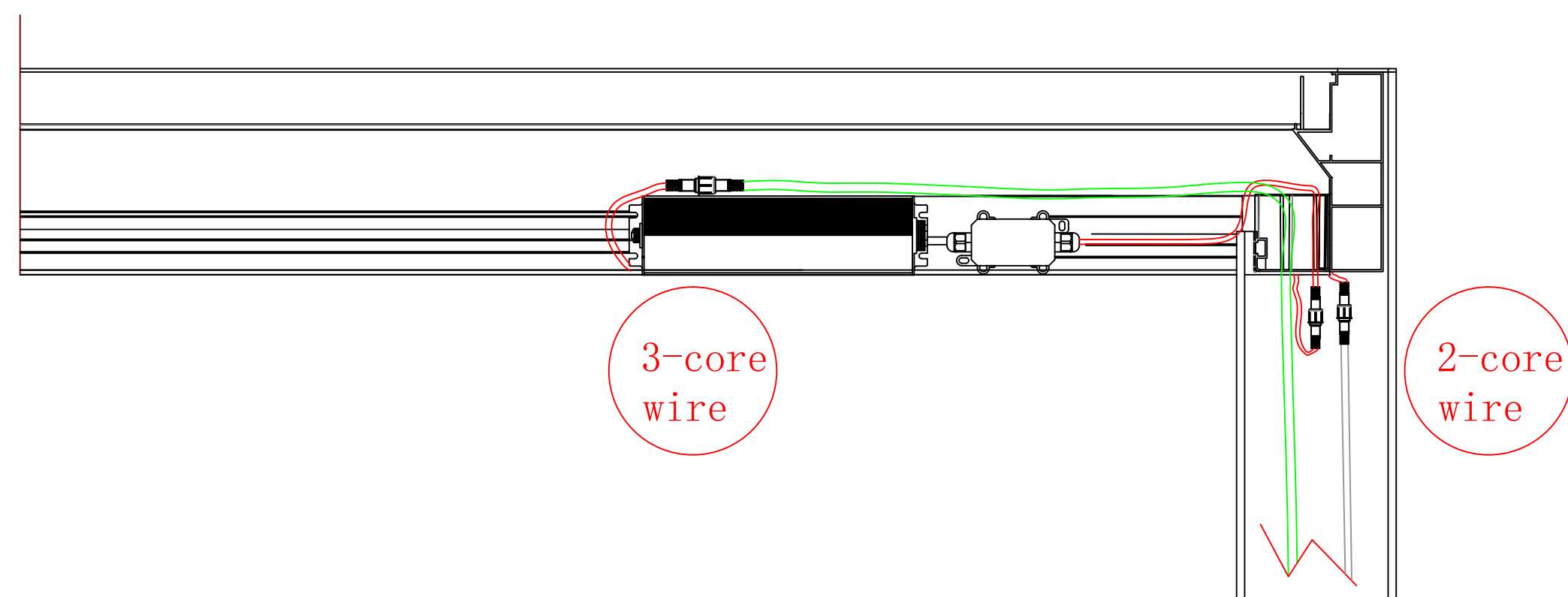




3B-24		1
-------	--	---







Wires Diagram

Power in: 220V
Power Out To
Motor: DC24V

