

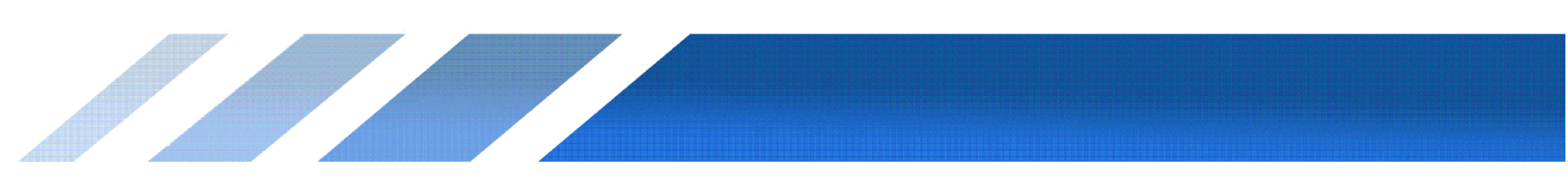
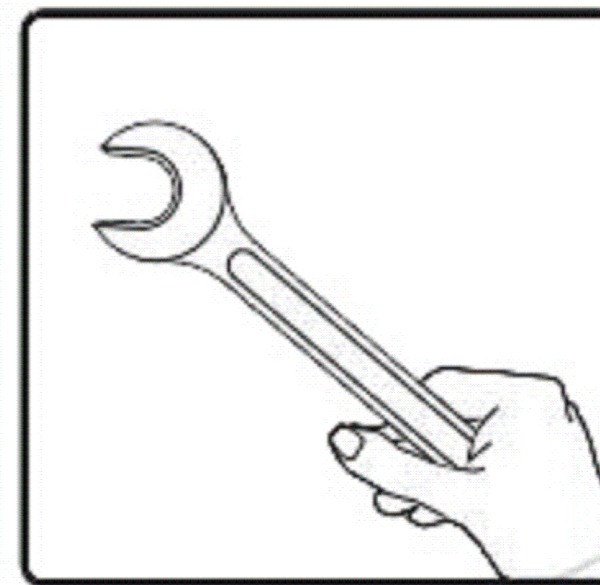
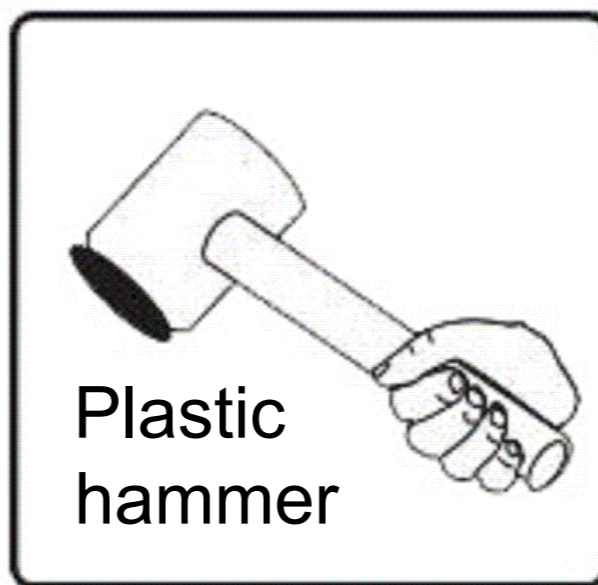
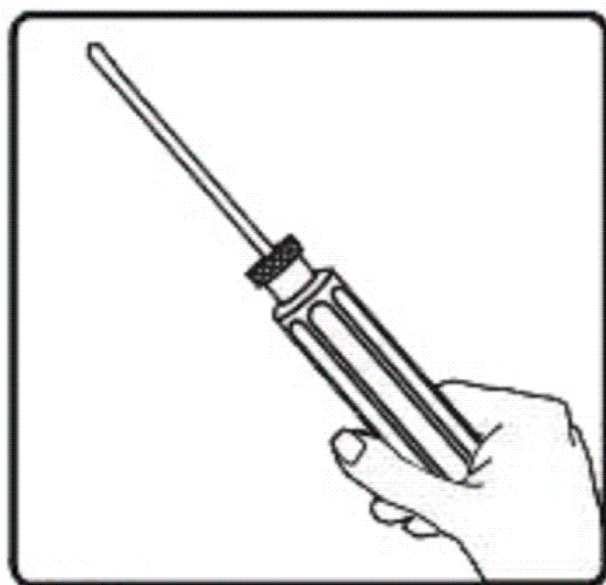
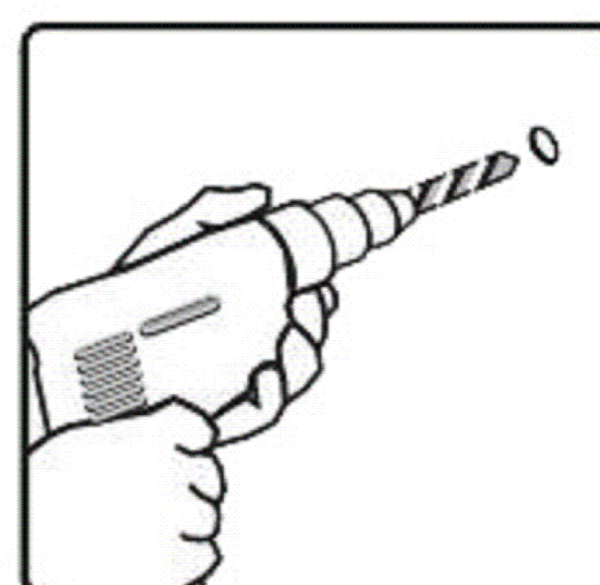
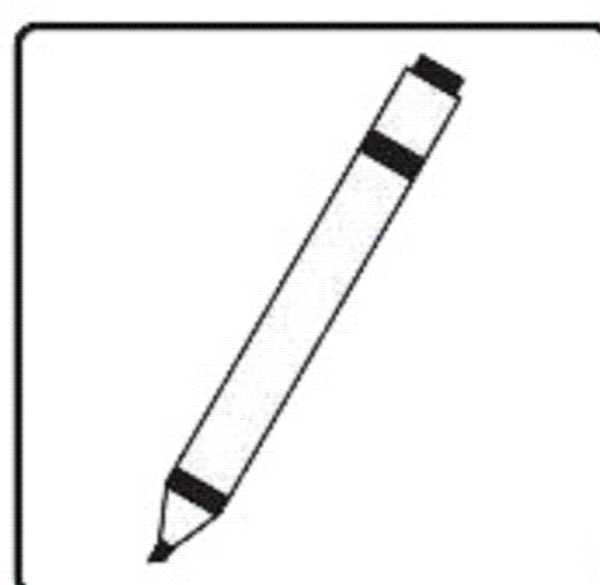
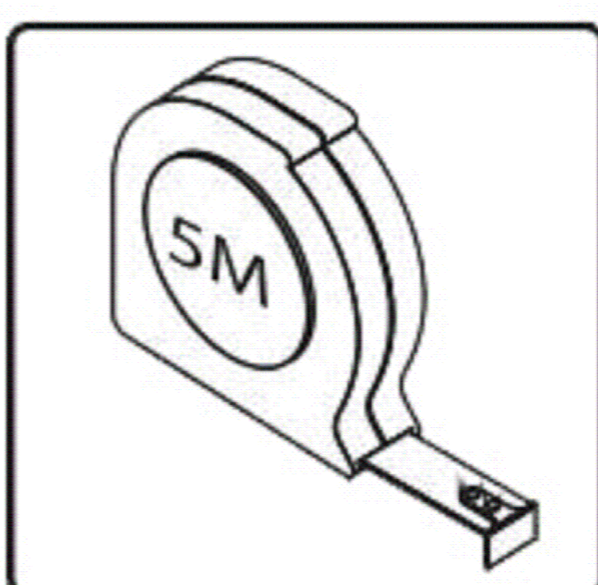
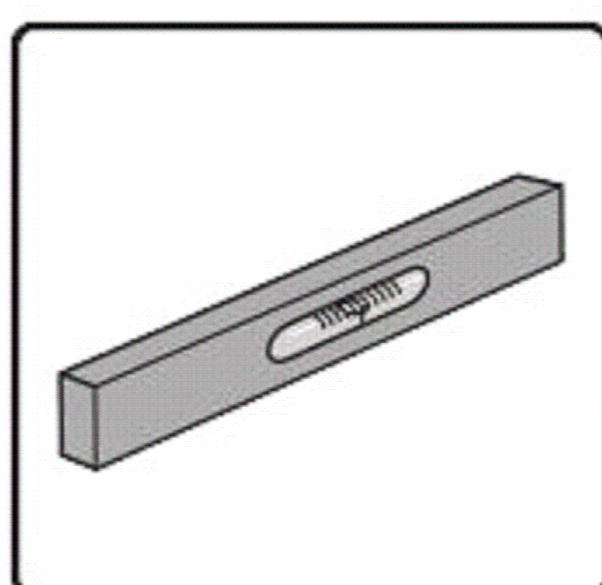
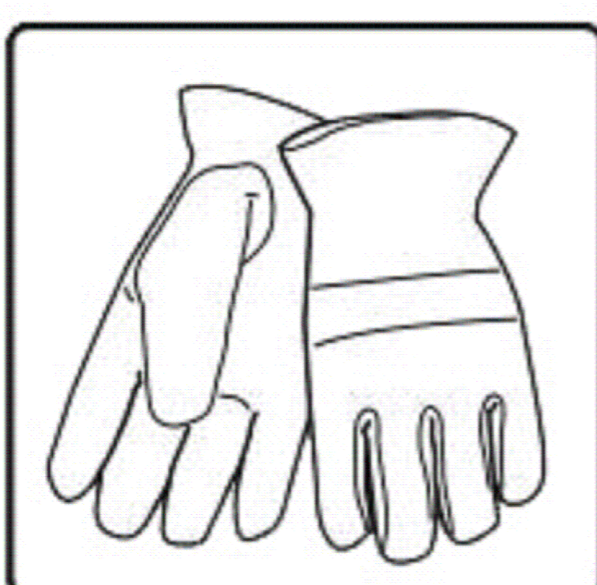
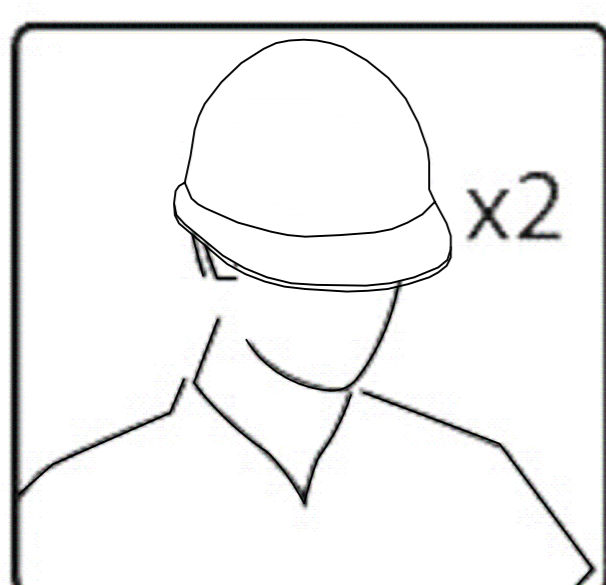
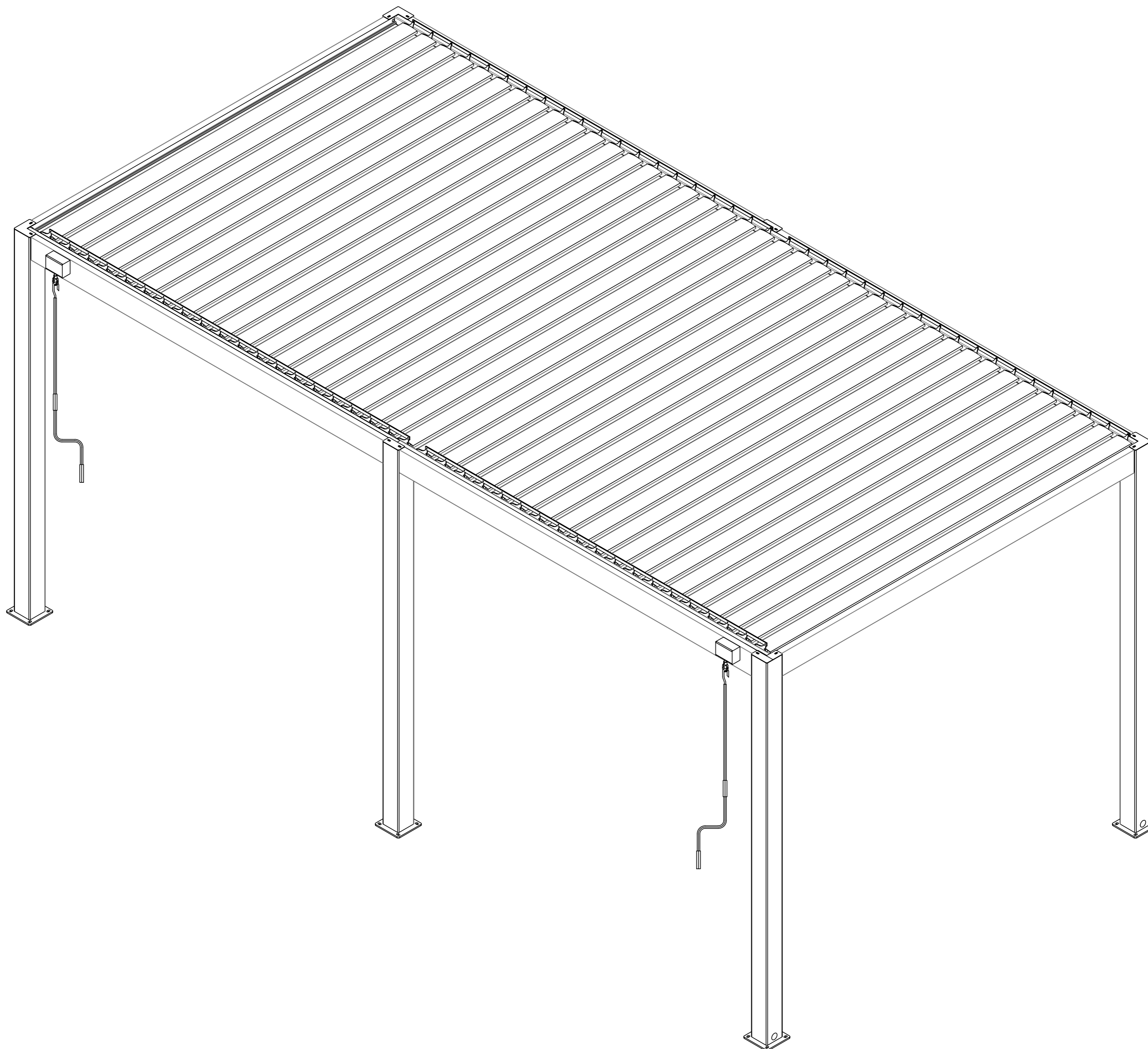


# LIVING CULTURE

BIOCLIMATIC PERGOLA FREE STANDING 6 POSTS

**5x3/7x3/8x3m**

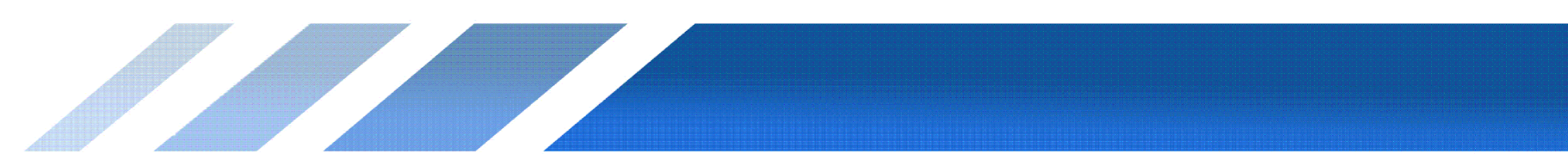




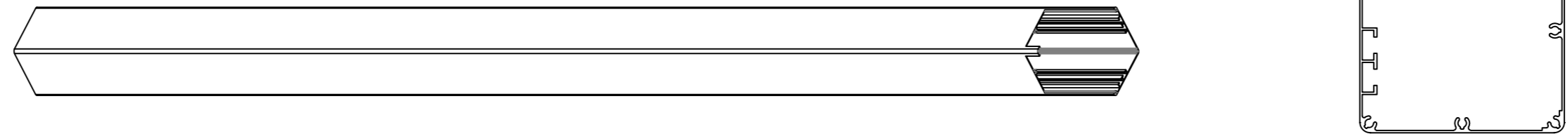
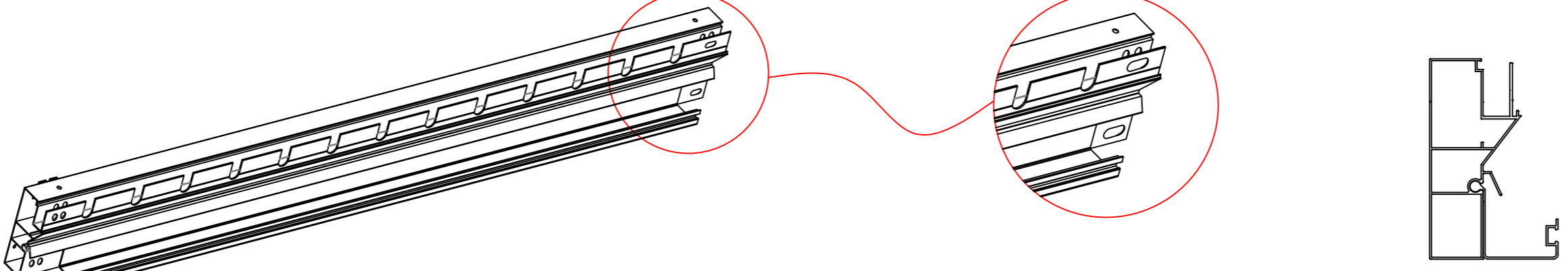
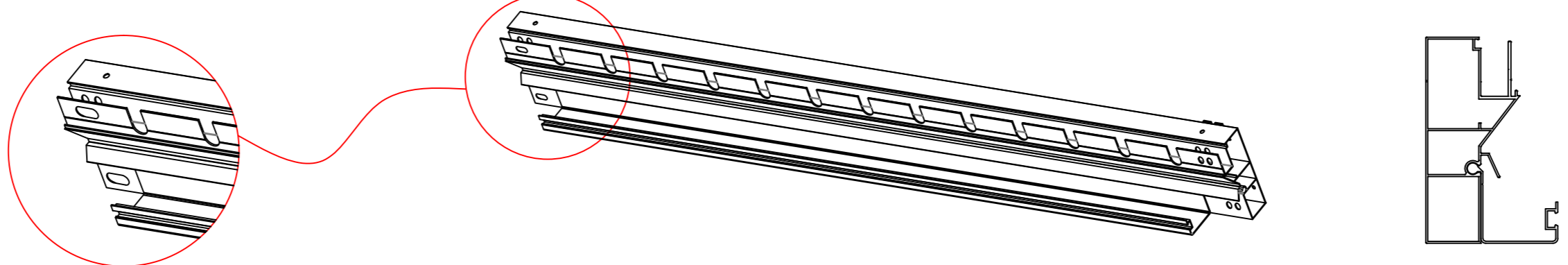
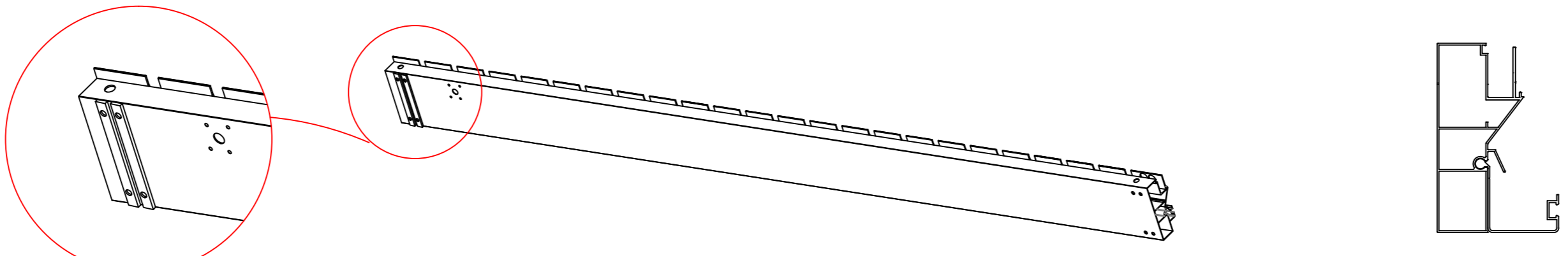
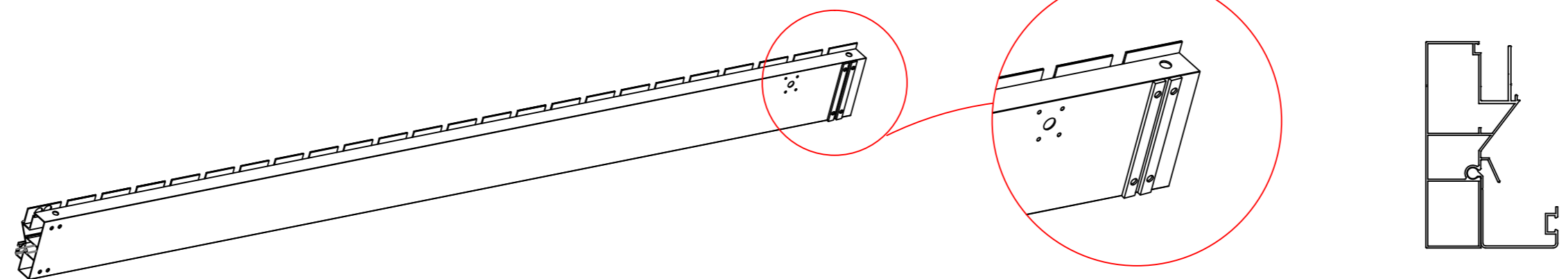
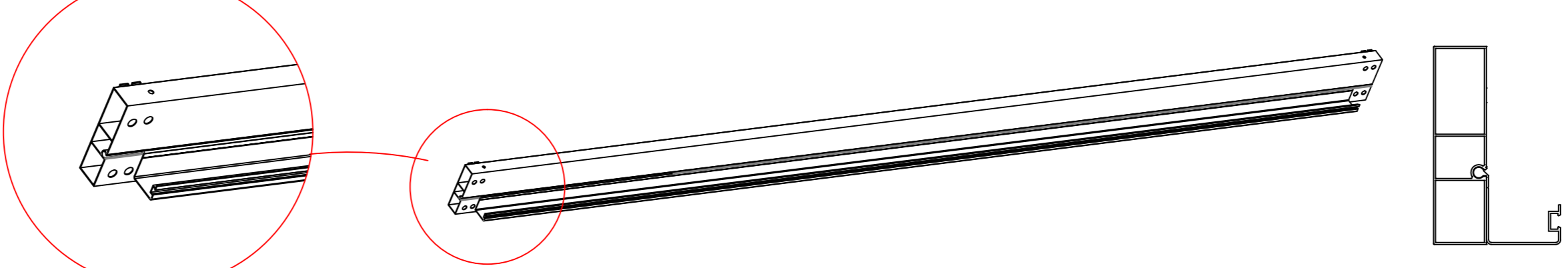
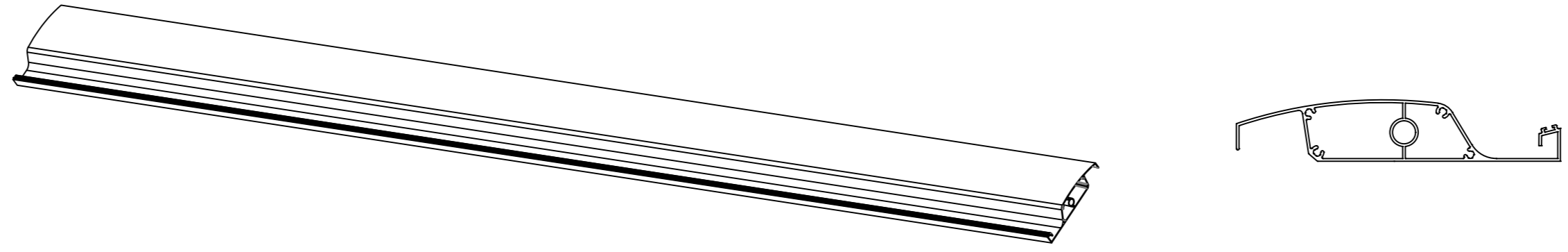
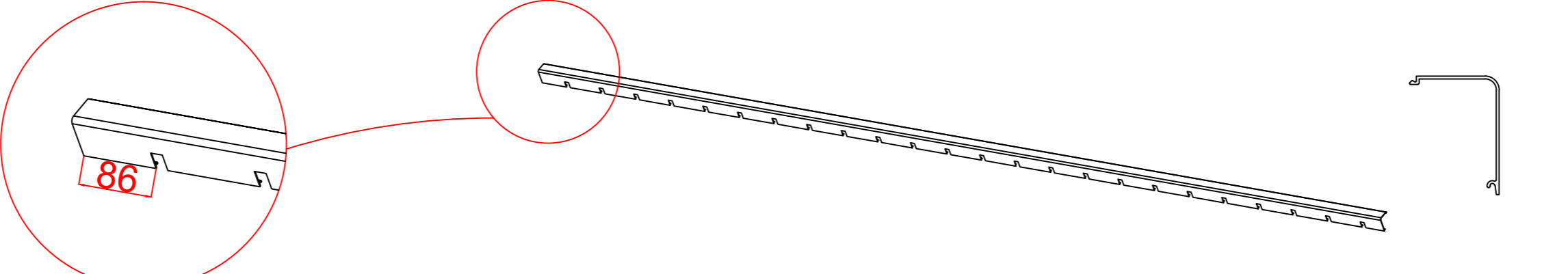
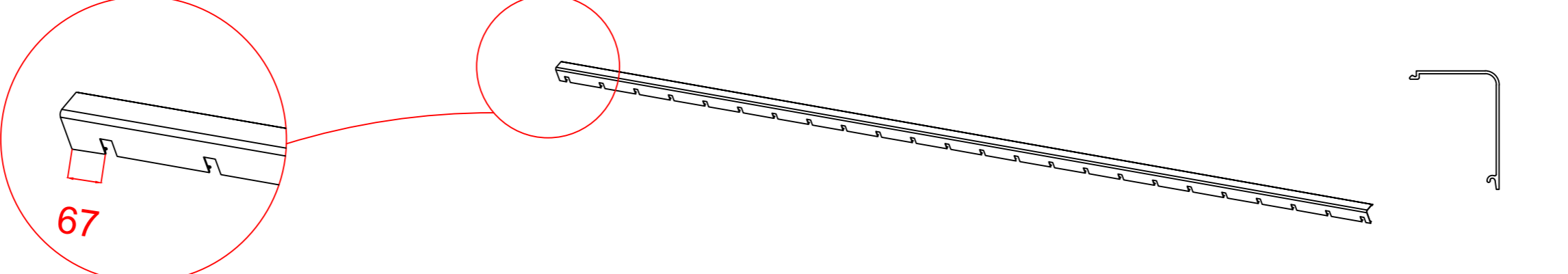
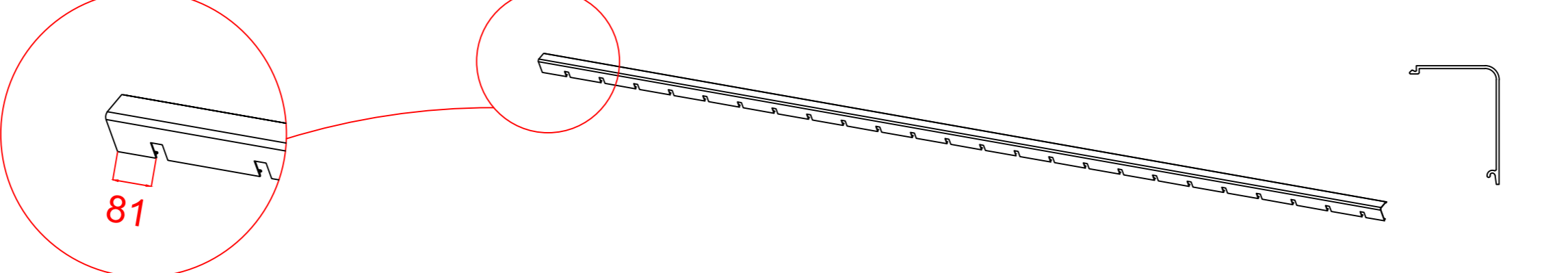
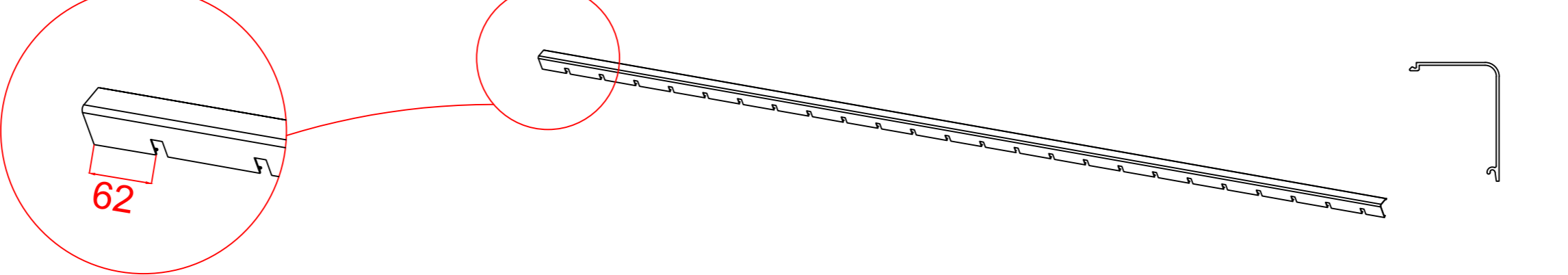


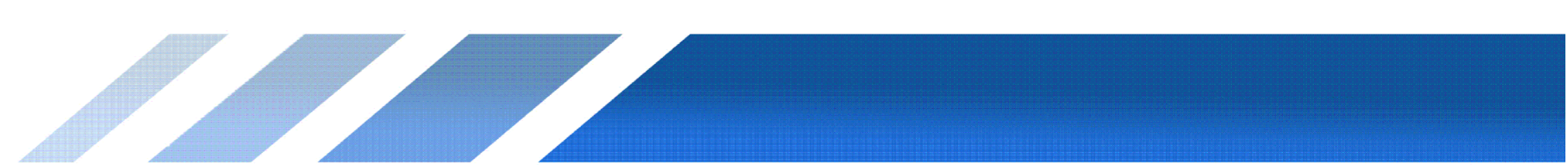
# 5×3m

|               | Item             | Qty | Item    | Qty | Item  | Qty | Item    | Qty |
|---------------|------------------|-----|---------|-----|-------|-----|---------|-----|
| Carton<br>1/4 | 3B-01            | 4   | 3B-51   | 272 | 3B-11 | 4   | 3B-12   | 4   |
|               | 3B-13            | 6   | 3B-14   | 2   | 3B-18 | 1   | 3B-19   | 12  |
|               | 3B-20            | 68  | 3B-21   | 24  | 3B-22 | 36  | 3B-23   | 20  |
|               | 3B-24            | 1   | 3B-26   | 2   | 3B-32 | 2   | 3B-33   | 2   |
|               | 3B-45            | 8   | 3B-45B  | 8   | 3B-46 | 6   | 3B-48   | 34  |
|               | 3B-49            | 32  | 3B-50   | 2   | 3B-15 | 2   | 3B-16   | 2   |
|               | 3B-27            | 2   |         |     |       |     |         |     |
|               |                  |     |         |     |       |     |         |     |
| Carton<br>2/4 | 3B-02            | 1   | 3B-02-2 | 1   | 3B-03 | 1   | 3B-03-2 | 1   |
|               | 3B-08A<br>/B/C/D | 4   | 3B-09   | 4   | 3B-04 | 2   |         |     |
|               |                  |     |         |     |       |     |         |     |
| Carton<br>3/4 | 3B-06            | 18  |         |     |       |     |         |     |
| Carton<br>4/4 | 3B-06            | 16  |         |     |       |     |         |     |
|               |                  |     |         |     |       |     |         |     |
|               |                  |     |         |     |       |     |         |     |
|               |                  |     |         |     |       |     |         |     |

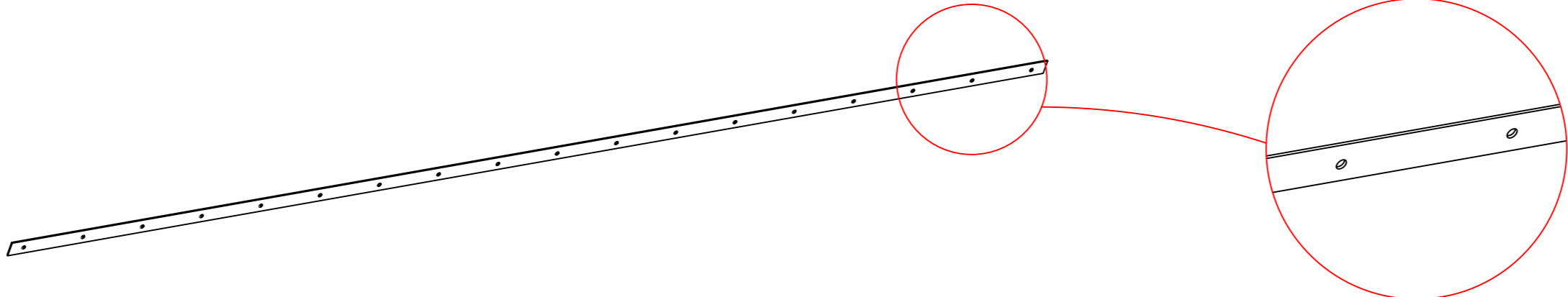
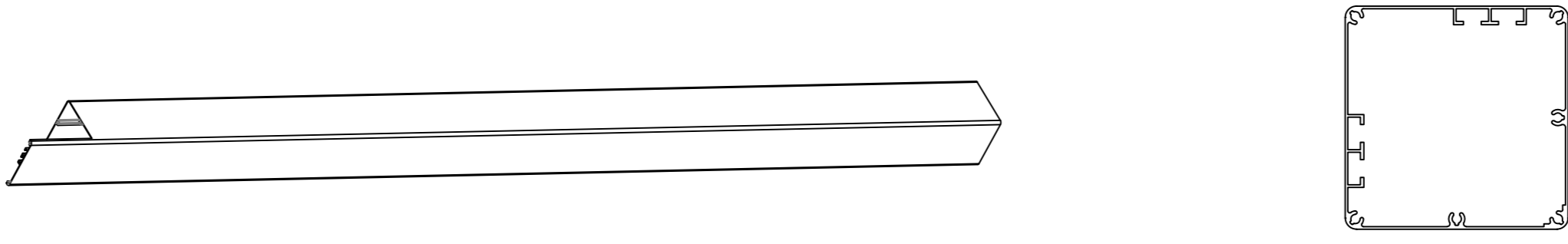


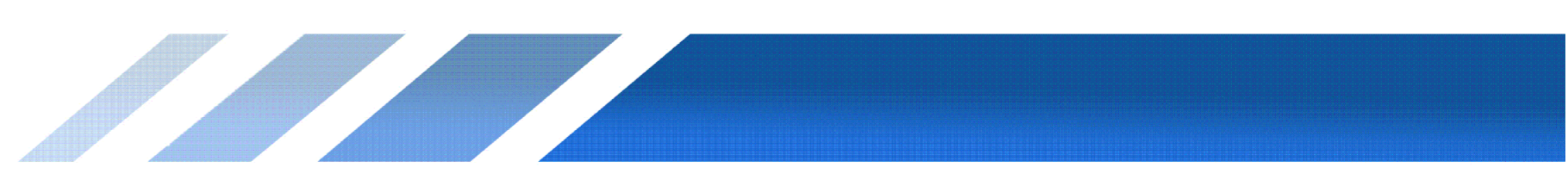


| Item    | Drawings   | Qty |
|---------|--|-----|
| 3B-01   |    | 4   |
| 3B-02   |    | 1   |
| 3B-02-2 |    | 1   |
| 3B-03   |   | 1   |
| 3B-03-2 |  | 1   |
| 3B-04   |  | 2   |
| 3B-06   |  | 34  |
| 3B-08A  |  | 1   |
| 3B-08B  |  | 1   |
| 3B-08C  |  | 1   |
| 3B-08D  |  | 1   |





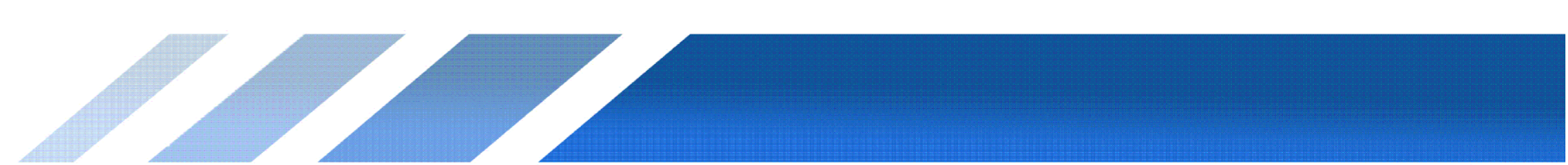
| Item  | Drawings   | Qty |
|-------|--|-----|
| 3B-09 |  | 4   |
| 3B-27 |  | 2   |
|       |  |     |
|       |  |     |
|       |  |     |
|       |  |     |
|       |  |     |
|       |  |     |
|       |  |     |
|       |  |     |
|       |  |     |

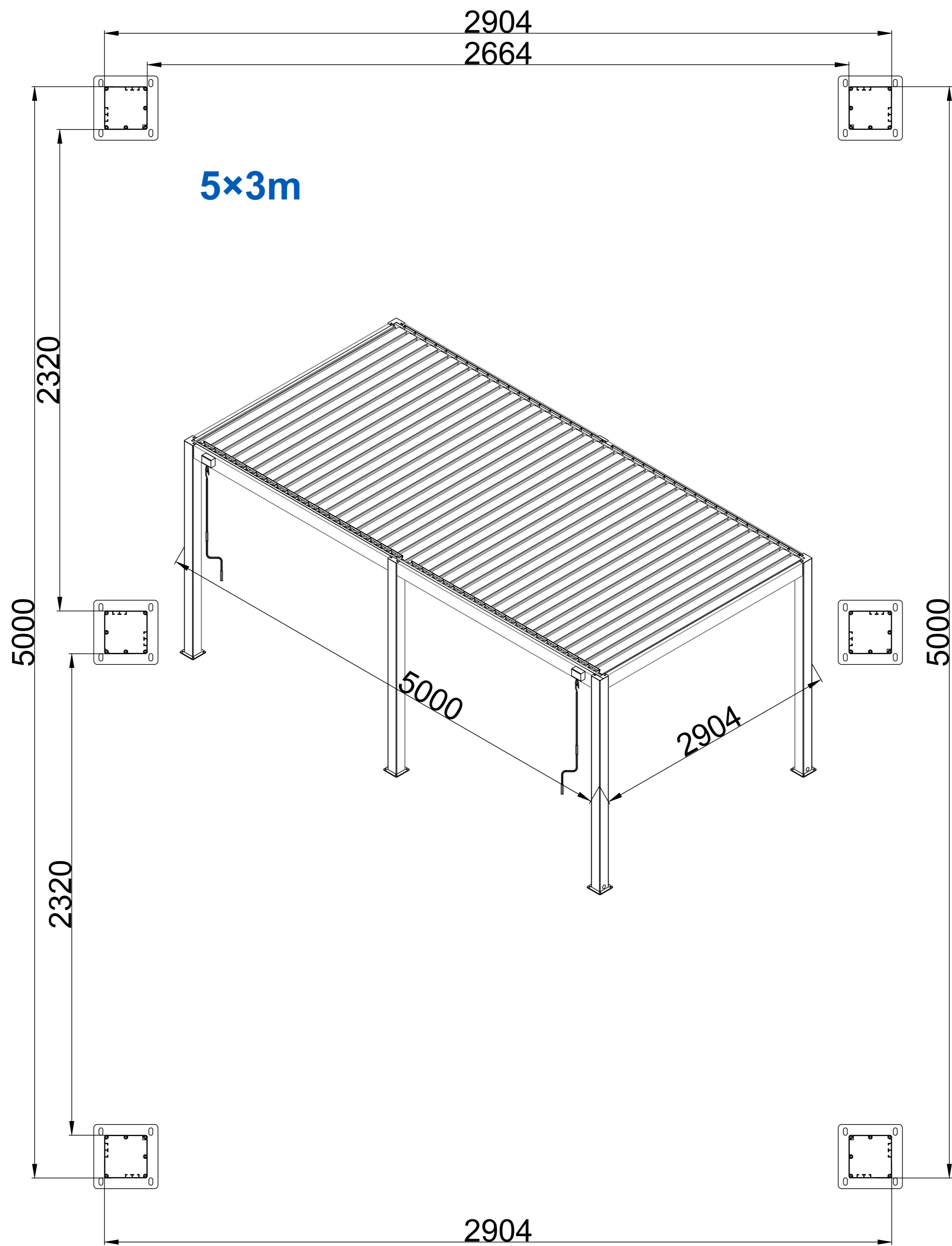




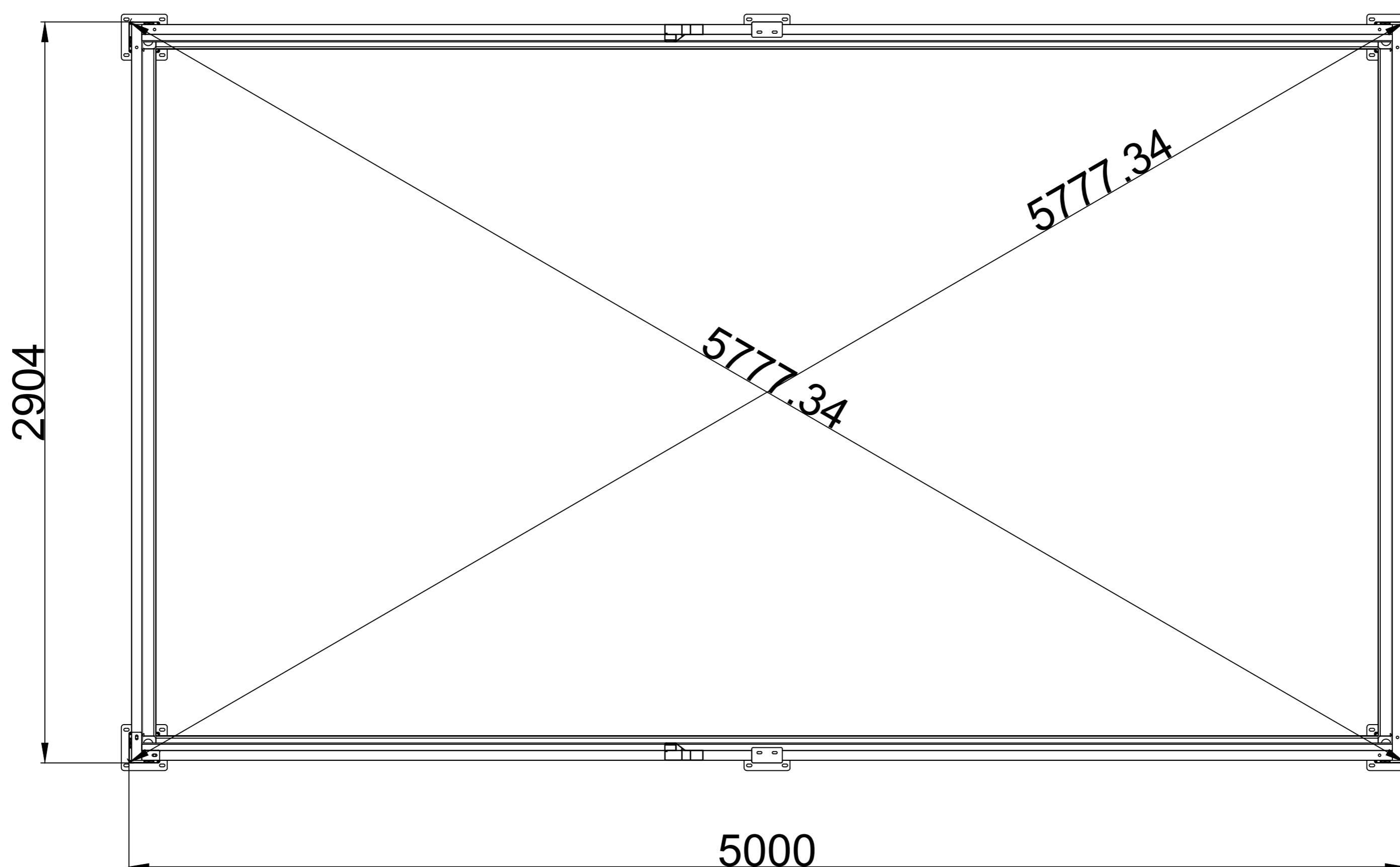
| Item  | Drawings    | Qty  |
|-------|-------------|------|
| 3B-11 |             | 4    |
| 3B-12 |             | 4    |
| 3B-13 |             | 6    |
| 3B-14 |             | 2    |
| 3B-15 |             | 2    |
| 3B-16 |             | 2    |
| 3B-18 |             | 1    |
| 3B-19 | <br>M8*20   | 12+2 |
| 3B-20 | <br>5-12-M4 | 68+2 |
| 3B-21 | <br>M10*80  | 24   |
| 3B-22 |             | 36+2 |
| 3B-23 | <br>M4.2*19 | 20+2 |
| 3B-24 |             | 1    |
| 3B-26 |             | 2    |
| 3B-32 |             | 2    |
|       |             |      |

| Item   | Drawings    | Qty   |
|--------|-------------|-------|
| 3B-33  |             | 2     |
| 3B-45  | <br>M8*12   | 8     |
| 3B-45B |             | 8     |
| 3B-46  |             | 6     |
| 3B-48  |             | 34    |
| 3B-49  |             | 32    |
| 3B-50  |             | 2     |
| 3B-51  | <br>M4.2*25 | 272+4 |
|        |             |       |
|        |             |       |
|        |             |       |
|        |             |       |
|        |             |       |
|        |             |       |
|        |             |       |
|        |             |       |
|        |             |       |
|        |             |       |

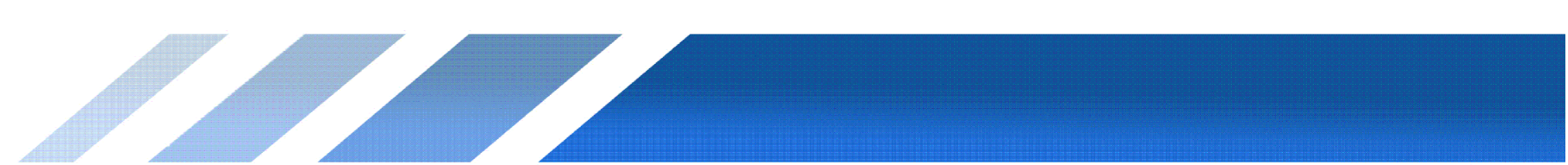


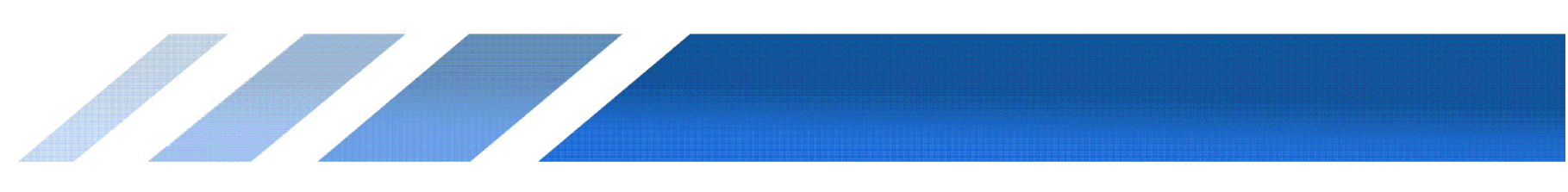
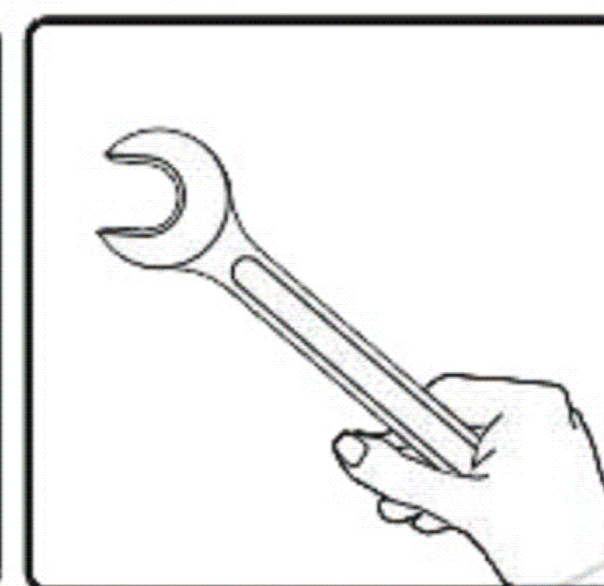
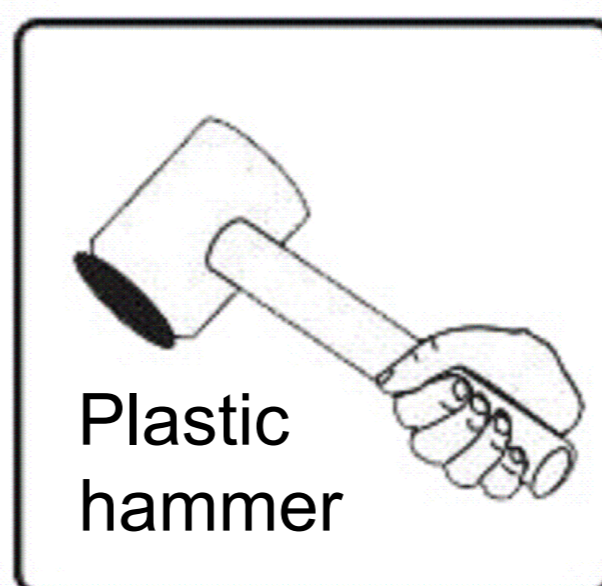
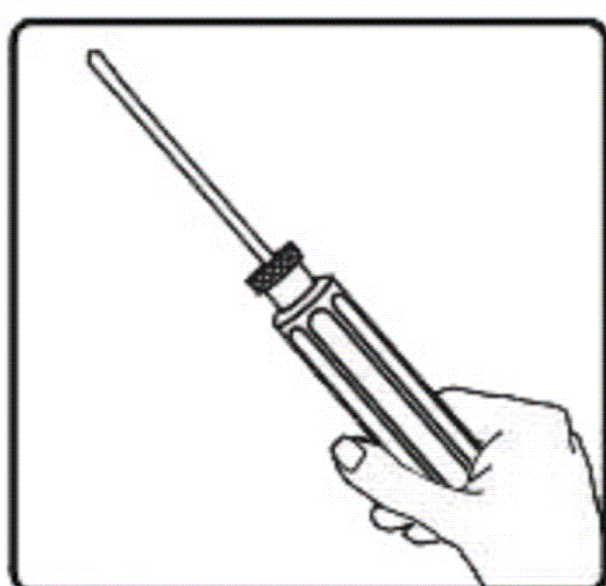
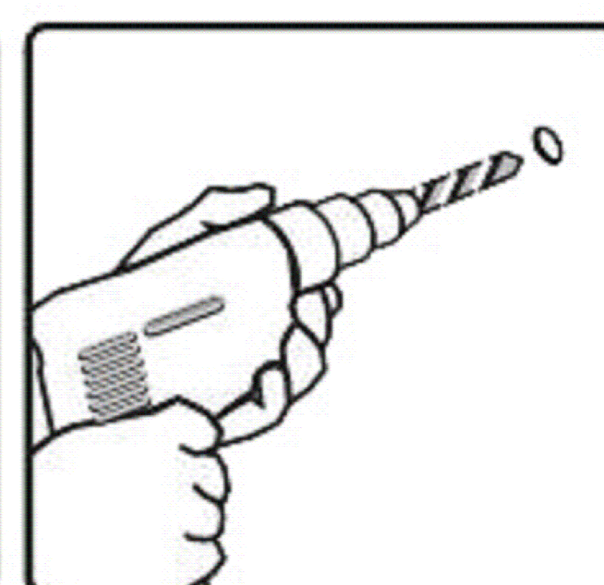
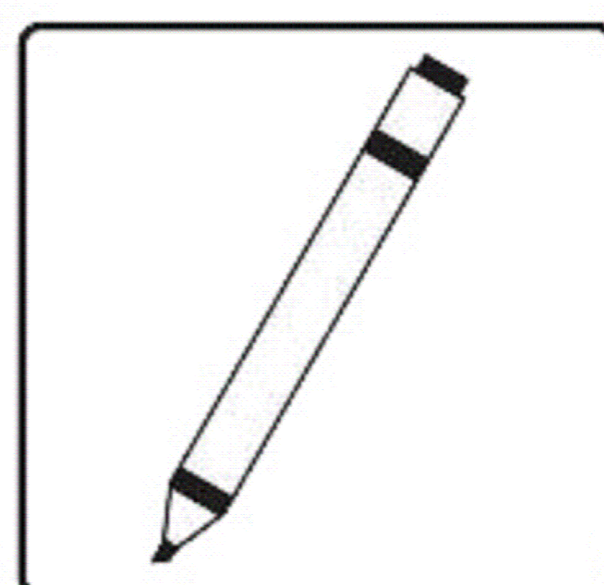
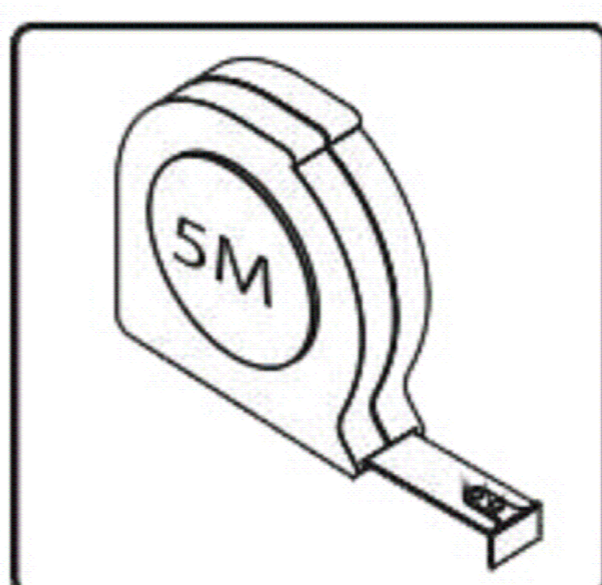
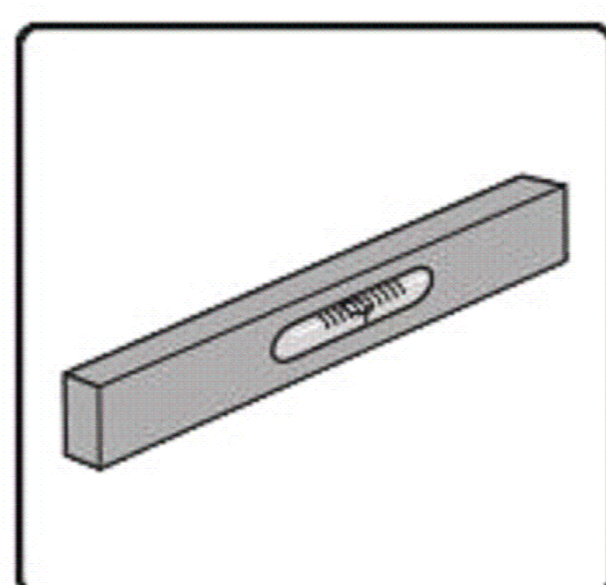
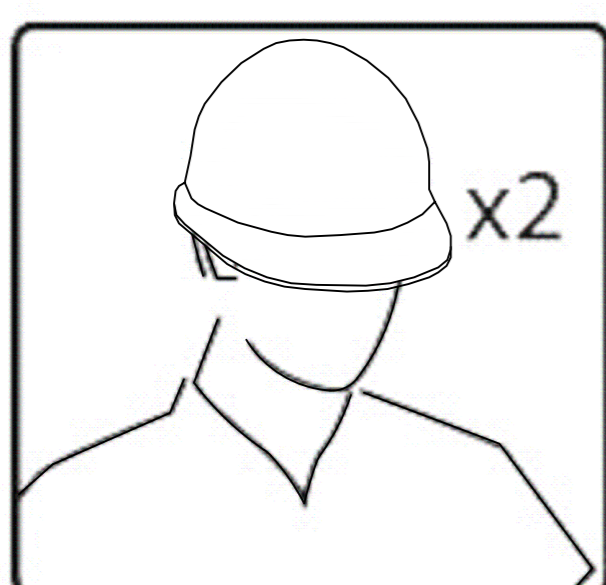
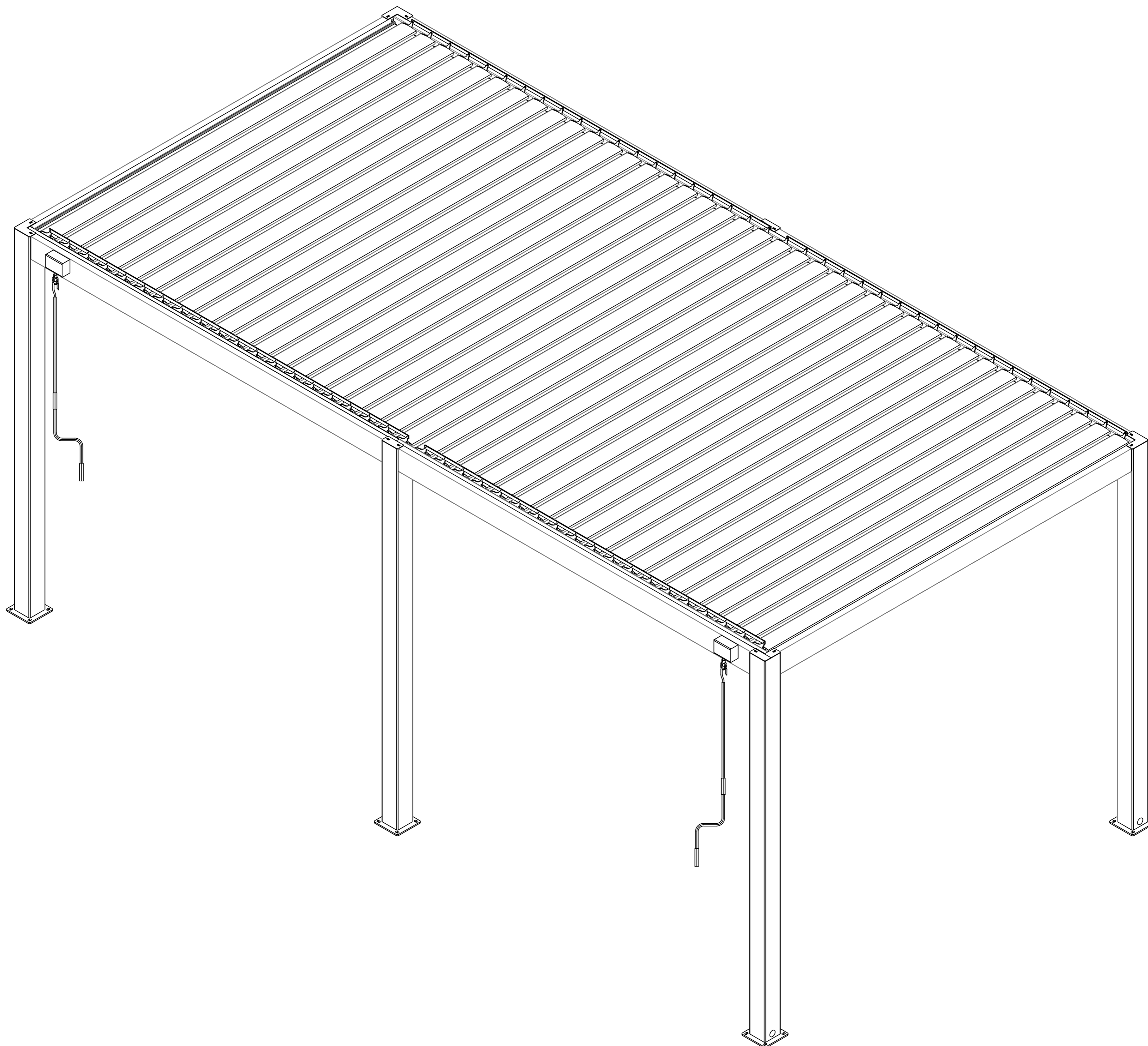


**Before installing the bottom expansion screws, please be sure to correct the frame size**



5×3-5



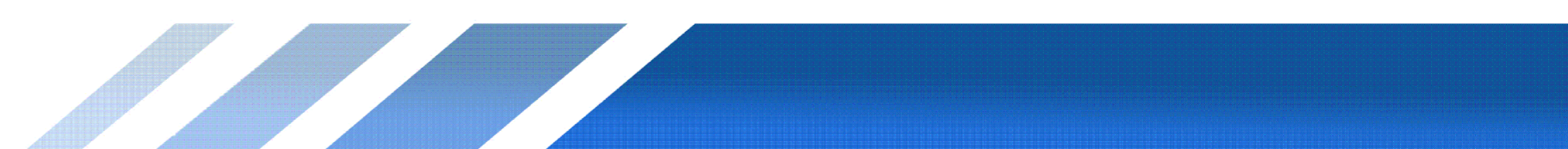




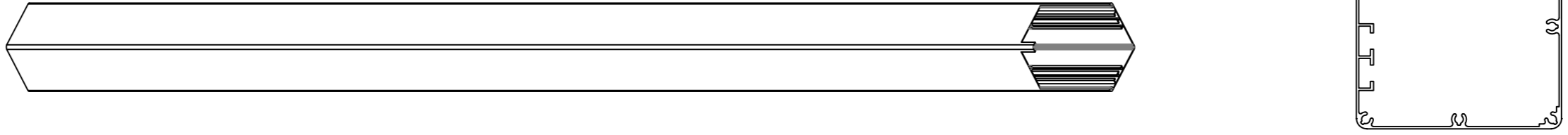
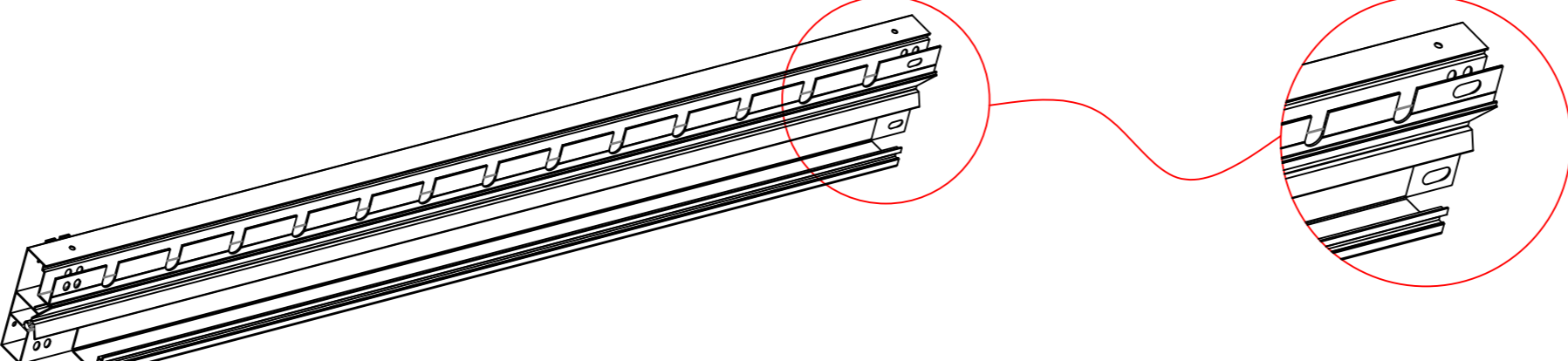
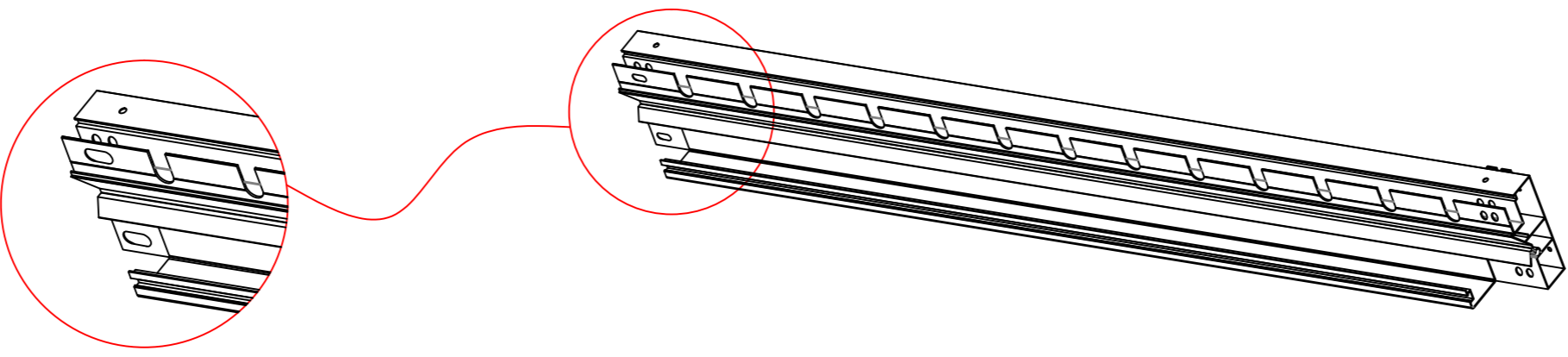
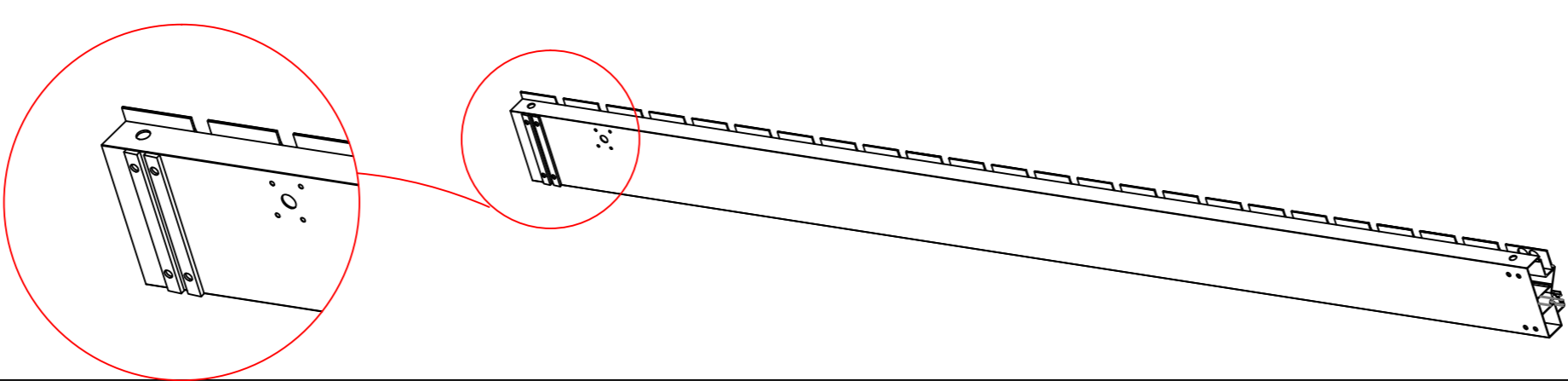
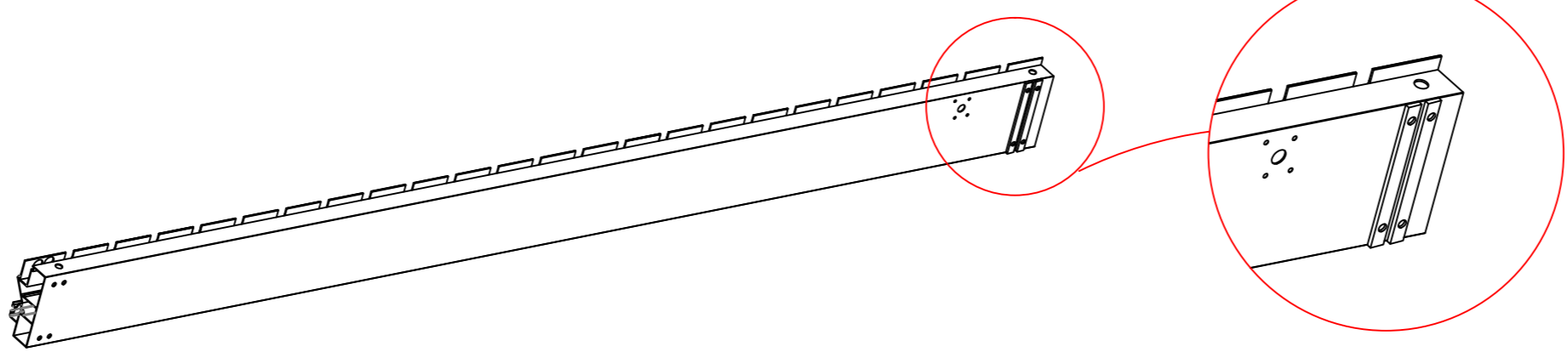
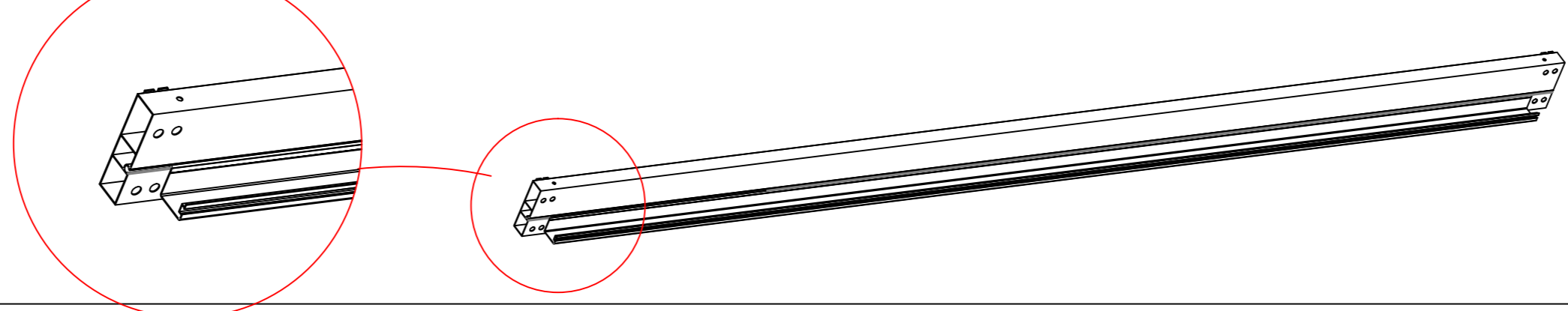
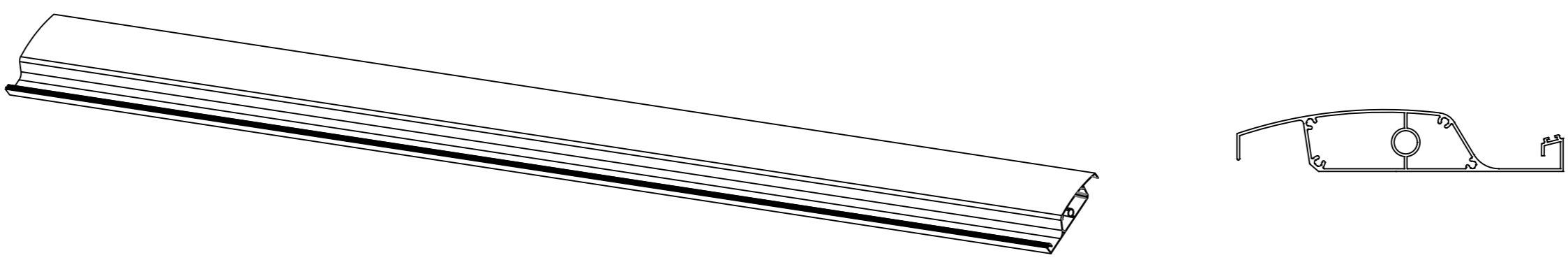
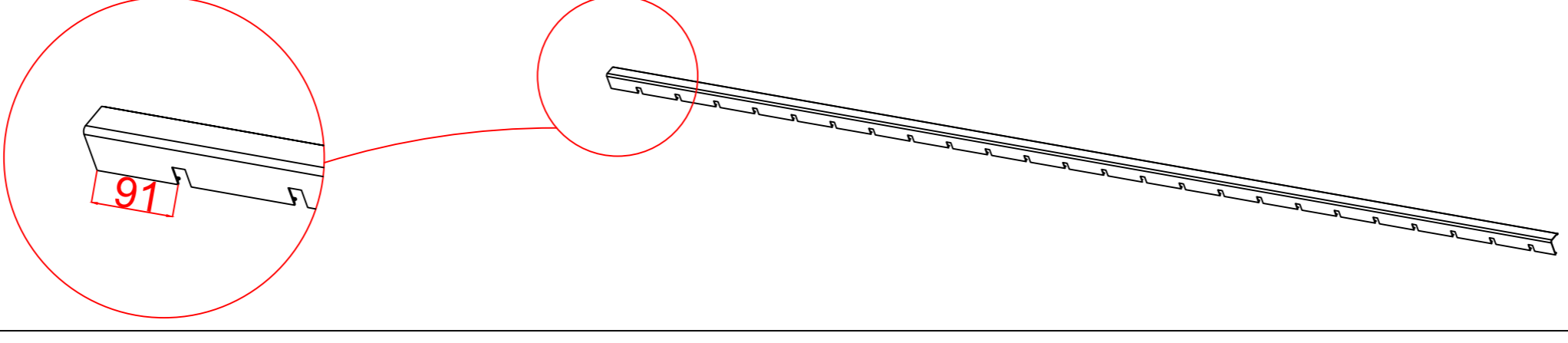
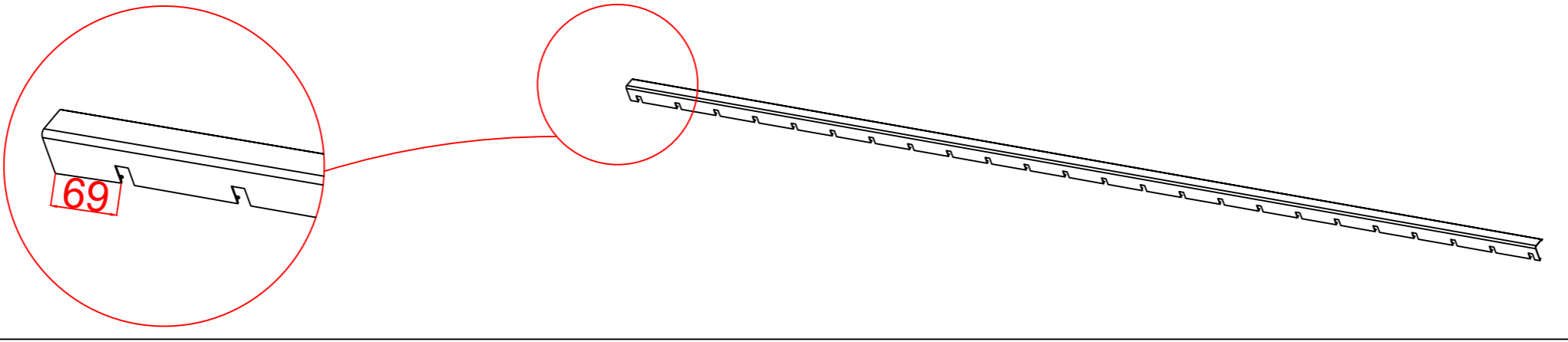
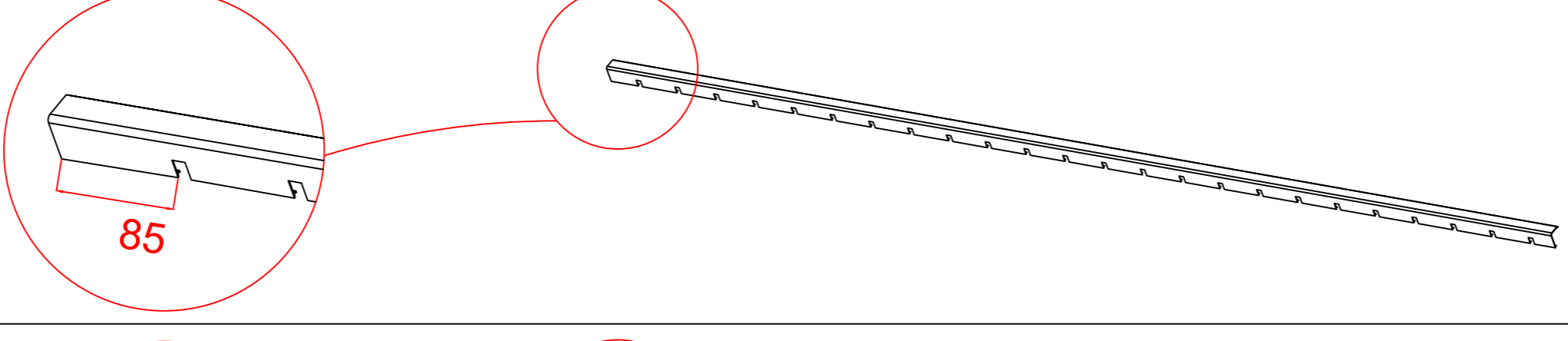
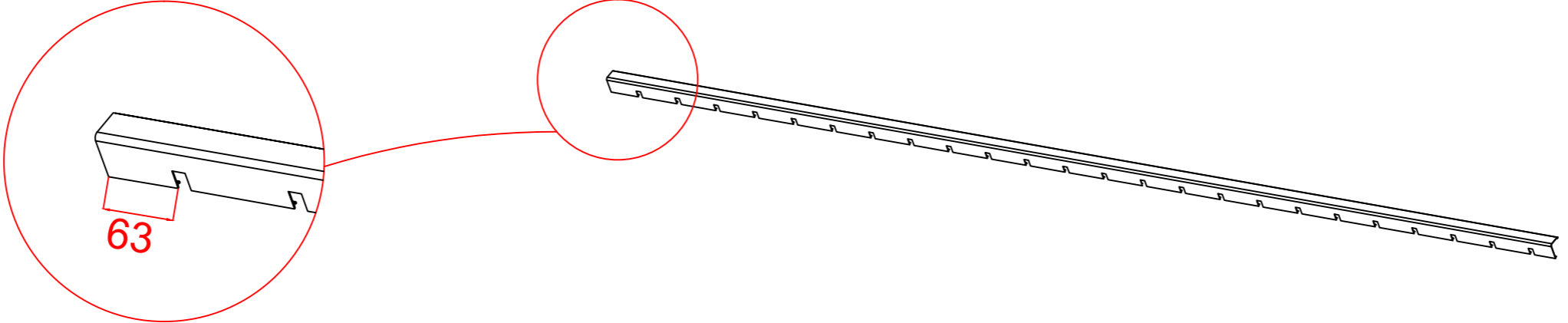


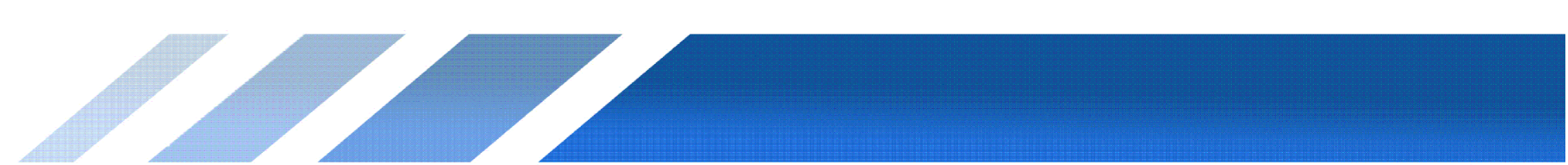
# 7×3m

|               | Item             | Qty | Item    | Qty | Item   | Qty | Item    | Qty |
|---------------|------------------|-----|---------|-----|--------|-----|---------|-----|
| Carton<br>1/5 | 3B-01            | 4   | 3B-11   | 4   | 3B-12  | 4   | 3B-13   | 6   |
|               | 3B-14            | 2   | 3B-15   | 2   | 3B-16  | 2   | 3B-18   | 1   |
|               | 3B-19            | 12  | 3B-20   | 92  | 3B-21  | 24  | 3B-22   | 36  |
|               | 3B-23            | 20  | 3B-24   | 1   | 3B-26  | 2   | 3B-32   | 2   |
|               | 3B-33            | 2   | 3B-45   | 8   | 3B-45B | 8   | 3B-46   | 6   |
|               | 3B-48            | 46  | 3B-49   | 44  | 3B-50  | 2   | 3B-51   | 368 |
|               |                  |     |         |     |        |     |         |     |
|               |                  |     |         |     |        |     |         |     |
| Carton<br>2/5 | 3B-02            | 1   | 3B-02-2 | 1   | 3B-03  | 1   | 3B-03-2 | 1   |
|               | 3B-08A<br>/B/C/D | 4   | 3B-09   | 4   | 3B-06  | 10  |         |     |
| Carton<br>3/5 | 3B-06            | 18  |         |     |        |     |         |     |
| Carton<br>4/5 | 3B-06            | 18  |         |     |        |     |         |     |
| Carton<br>5/5 | 3B-04            | 2   | 3B-27   | 2   |        |     |         |     |
|               |                  |     |         |     |        |     |         |     |
|               |                  |     |         |     |        |     |         |     |

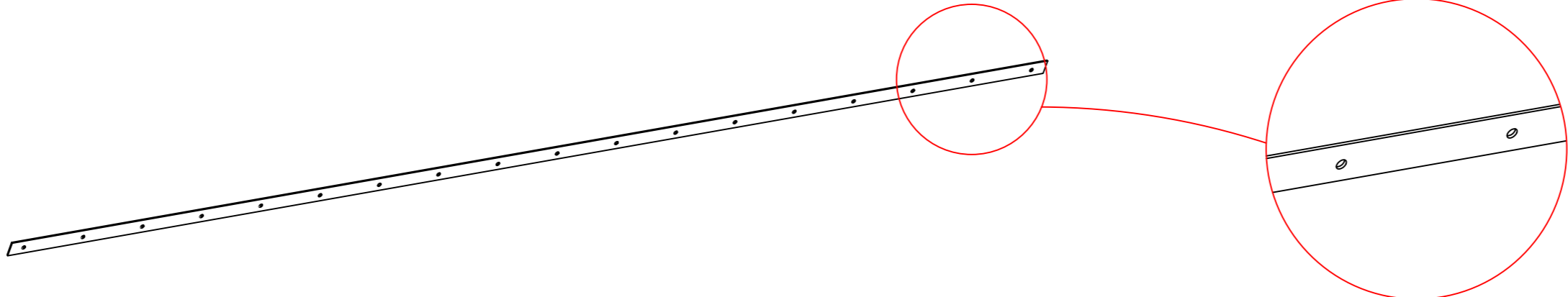
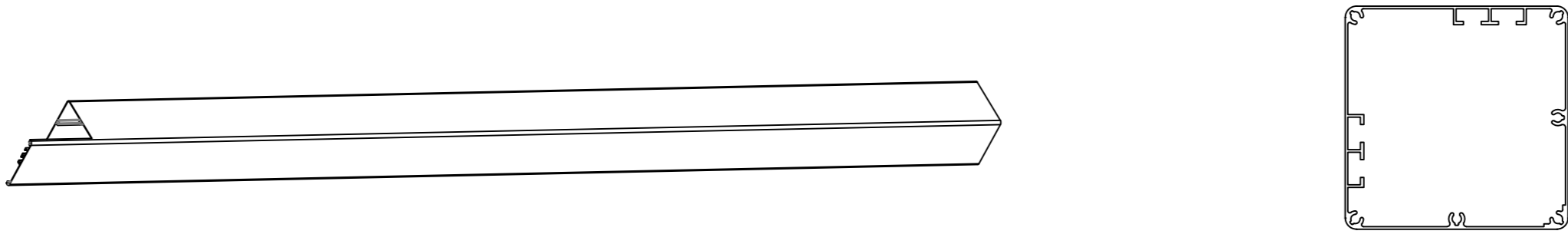


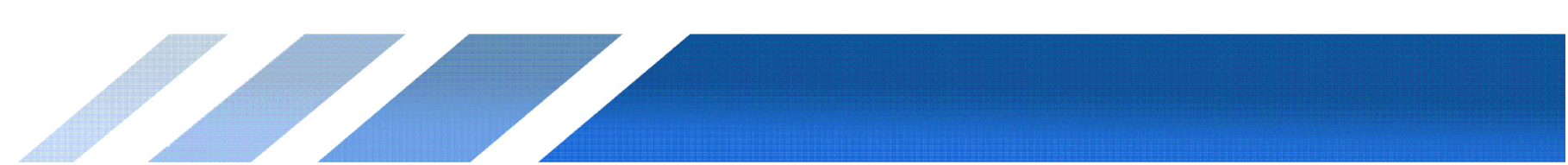


| Item    | Drawings   | Qty |
|---------|--|-----|
| 3B-01   |    | 4   |
| 3B-02   |    | 1   |
| 3B-02-2 |    | 1   |
| 3B-03   |   | 1   |
| 3B-03-2 |  | 1   |
| 3B-04   |  | 2   |
| 3B-06   |  | 46  |
| 3B-08A  |  | 1   |
| 3B-08B  |  | 1   |
| 3B-08C  |  | 1   |
| 3B-08D  |  | 1   |





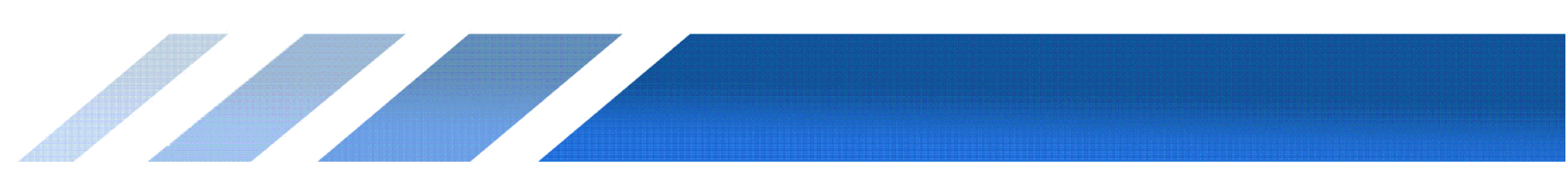
| Item  | Drawings   | Qty |
|-------|--|-----|
| 3B-09 |  | 4   |
| 3B-27 |  | 2   |
|       |  |     |
|       |  |     |
|       |  |     |
|       |  |     |
|       |  |     |
|       |  |     |
|       |  |     |
|       |  |     |
|       |  |     |
|       |  |     |

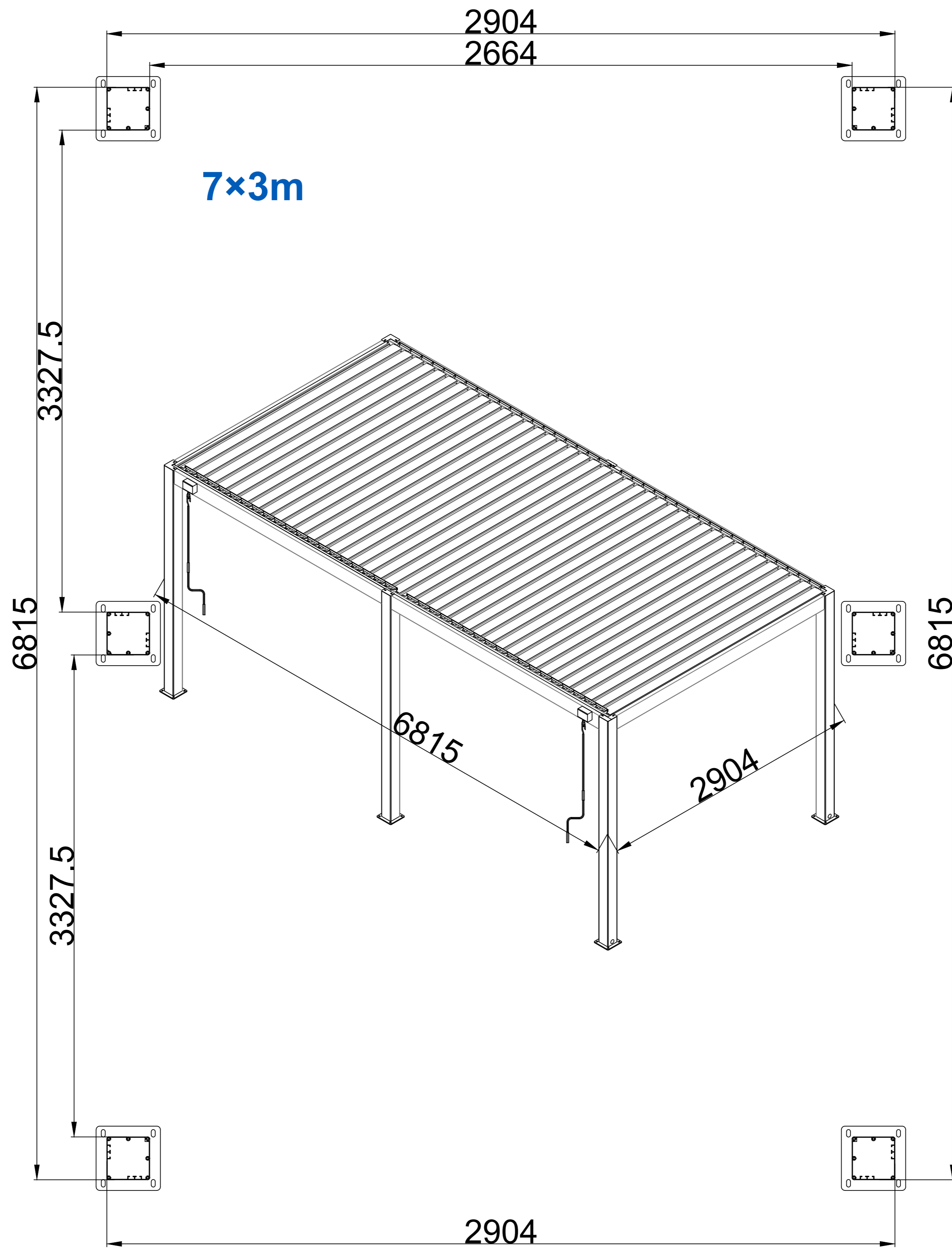




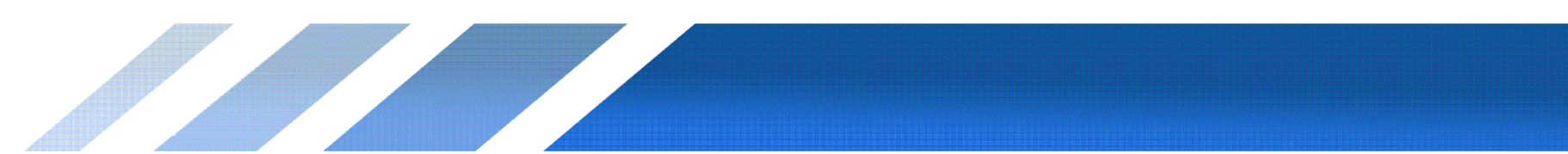
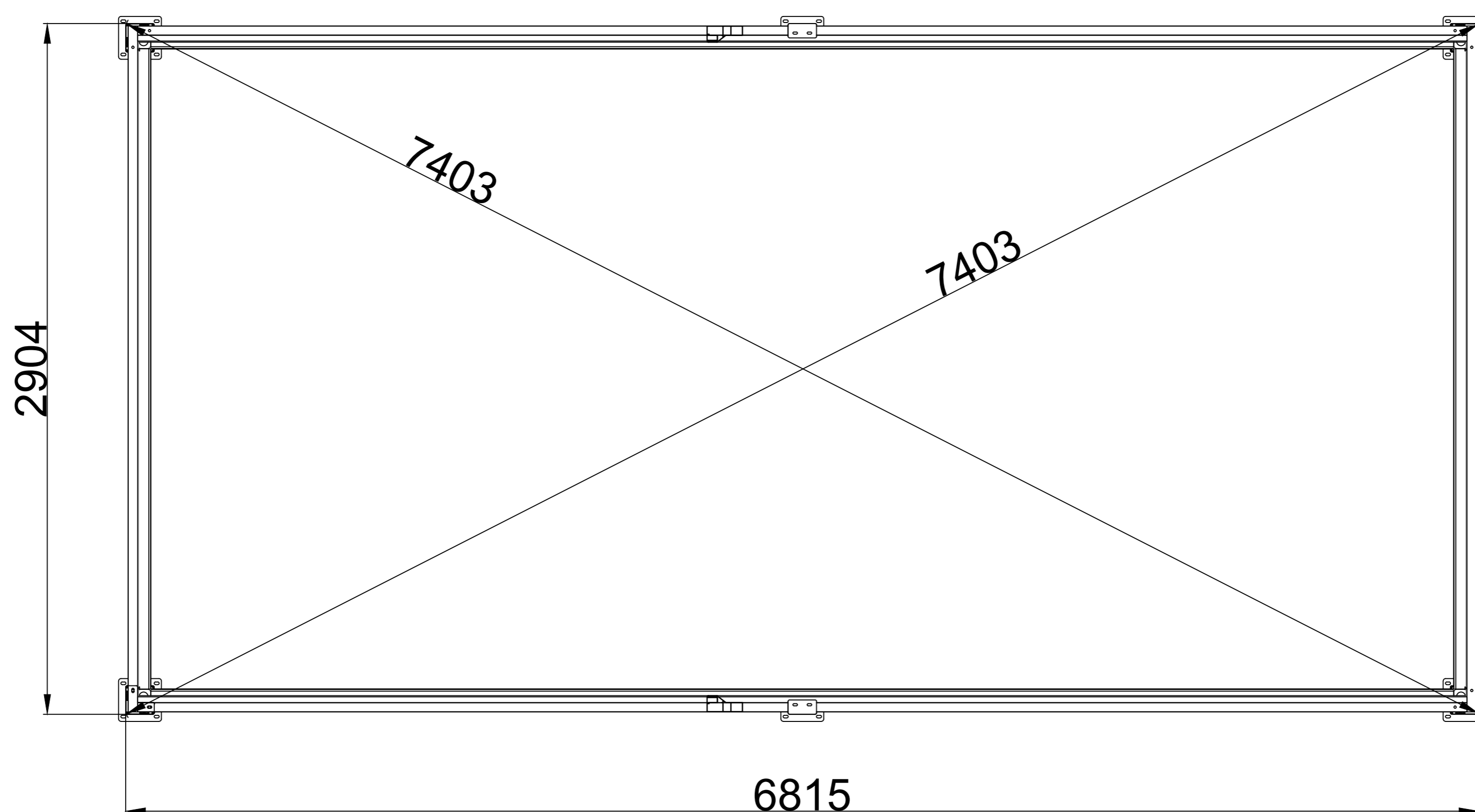
| Item  | Drawings    | Qty  |
|-------|-------------|------|
| 3B-11 |             | 4    |
| 3B-12 |             | 4    |
| 3B-13 |             | 6    |
| 3B-14 |             | 2    |
| 3B-15 |             | 2    |
| 3B-16 |             | 2    |
| 3B-18 |             | 1    |
| 3B-19 | <br>M8*20   | 12+2 |
| 3B-20 | <br>5-12-M4 | 92+2 |
| 3B-21 | <br>M10*80  | 24   |
| 3B-22 |             | 36+2 |
| 3B-23 | <br>M4.2*19 | 20+2 |
| 3B-24 |             | 1    |
| 3B-26 |             | 2    |
| 3B-32 |             | 2    |

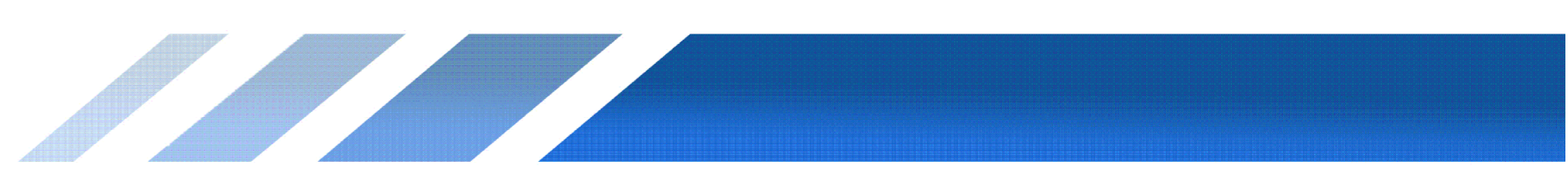
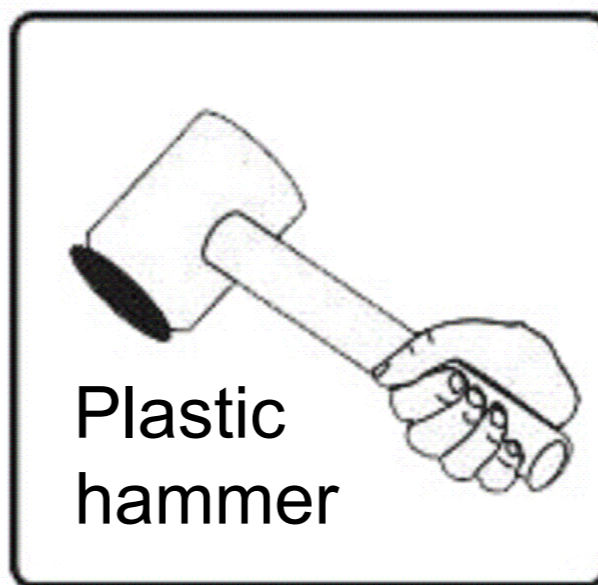
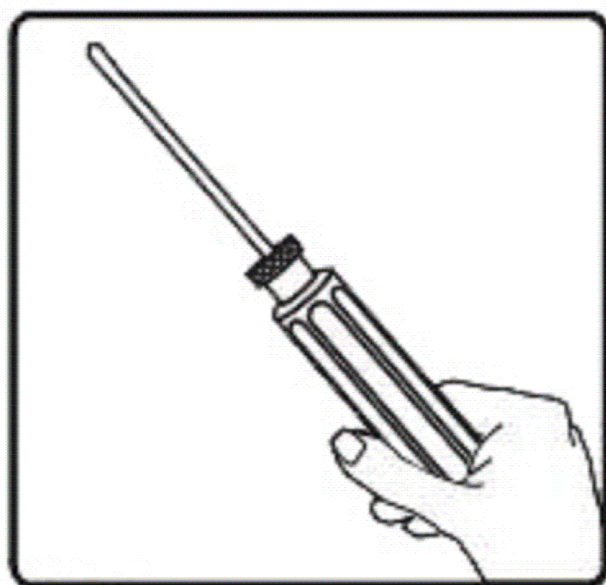
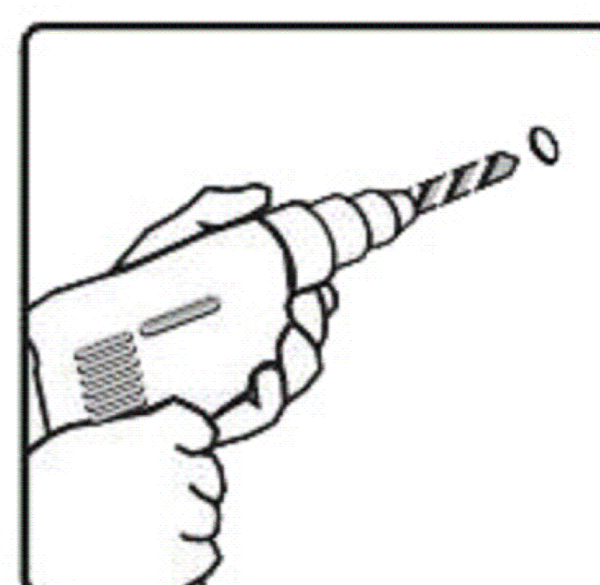
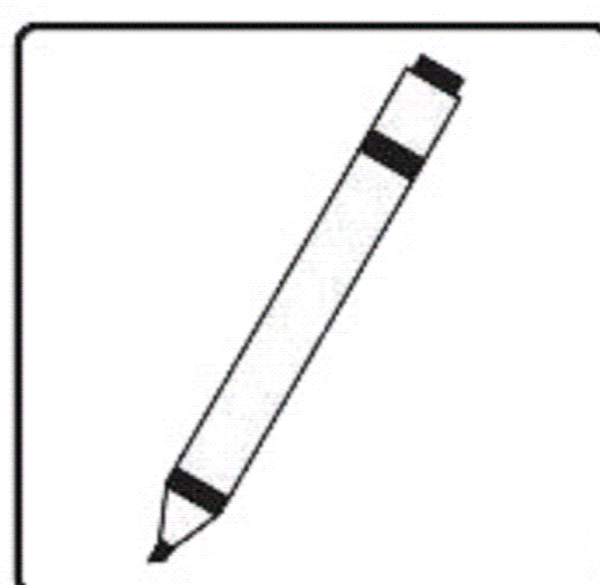
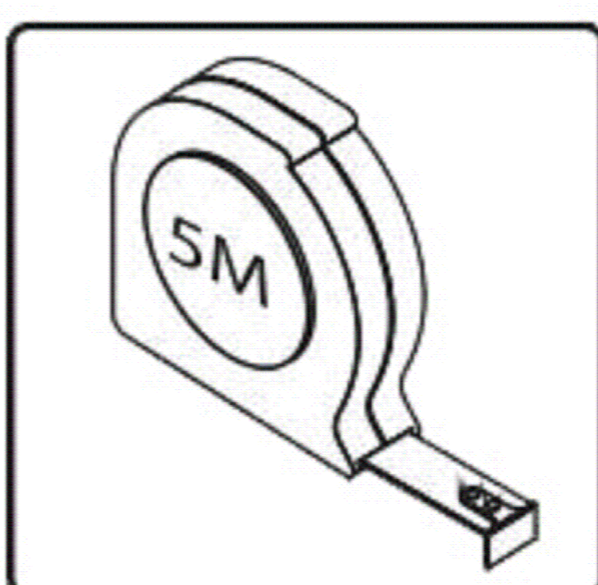
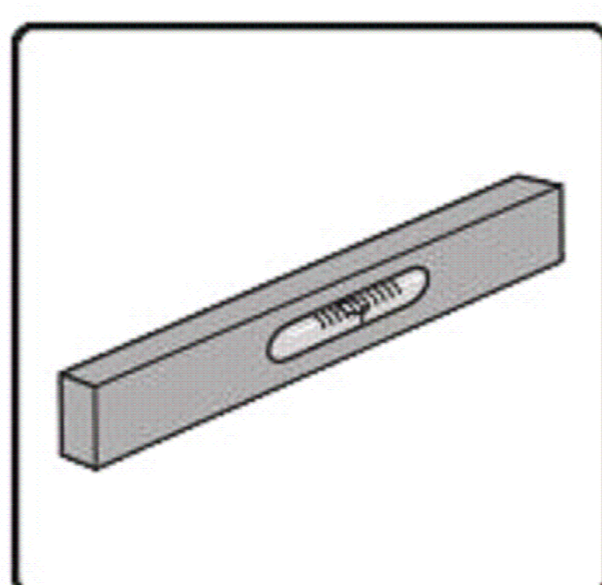
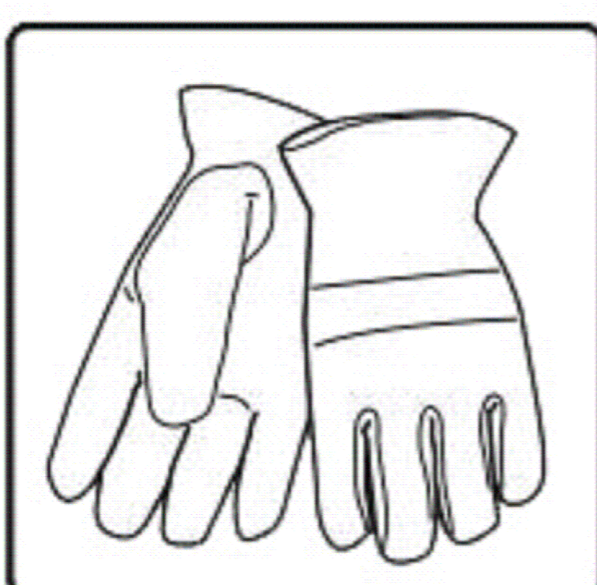
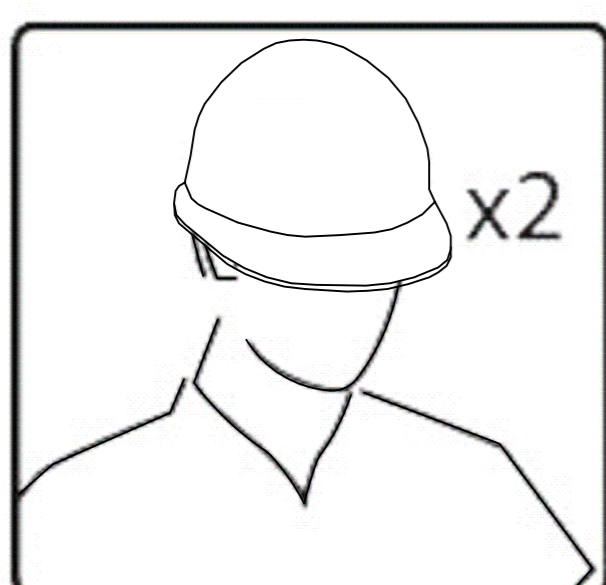
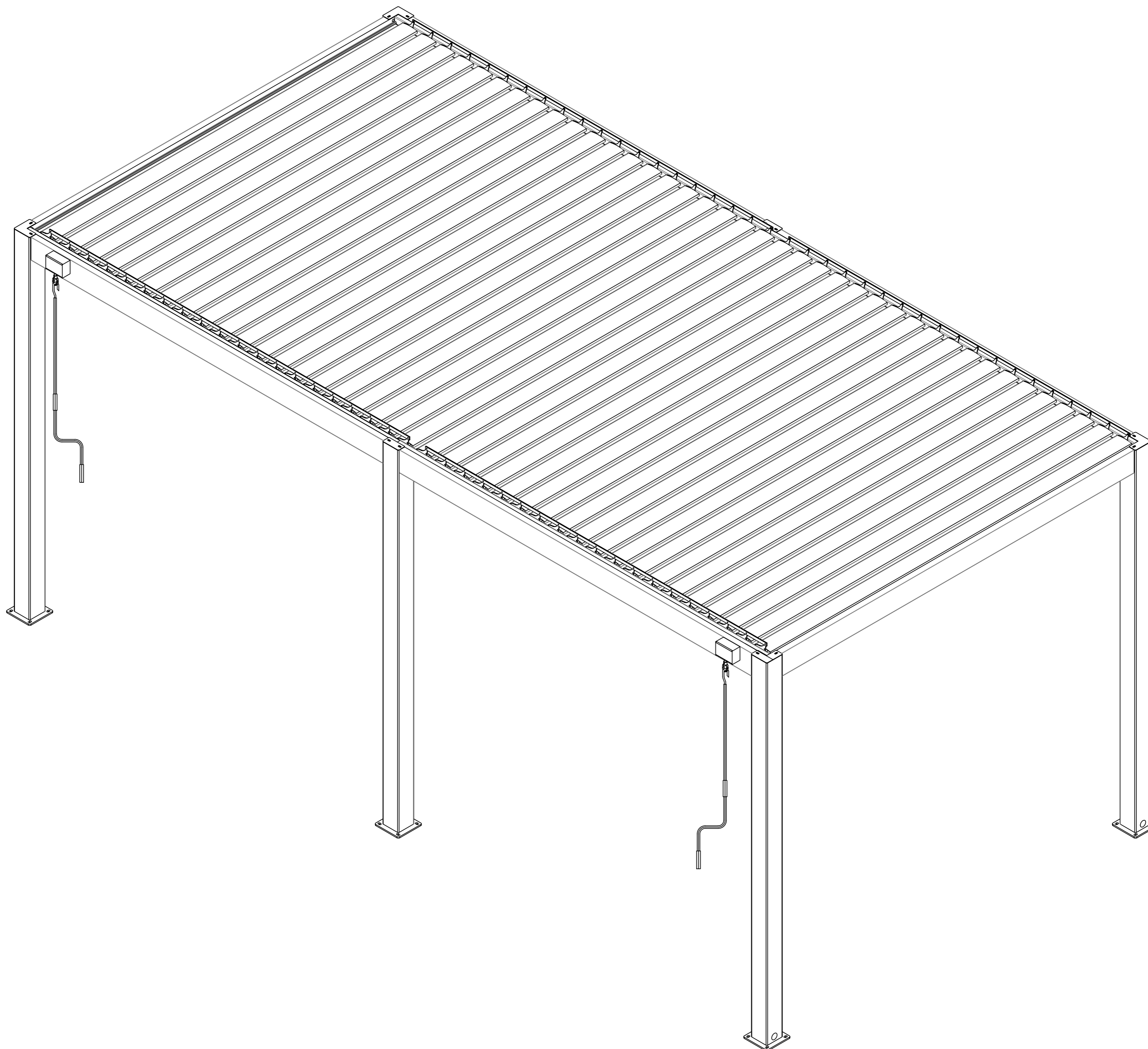
| Item   | Drawings    | Qty   |
|--------|-------------|-------|
| 3B-33  |             | 2     |
| 3B-45  | <br>M8*12   | 8     |
| 3B-45B |             | 8     |
| 3B-46  |             | 6     |
| 3B-48  |             | 46    |
| 3B-49  |             | 44    |
| 3B-50  |             | 2     |
| 3B-51  | <br>M4.2*25 | 368+4 |
|        |             |       |
|        |             |       |
|        |             |       |
|        |             |       |
|        |             |       |
|        |             |       |
|        |             |       |
|        |             |       |
|        |             |       |
|        |             |       |
|        |             |       |





**Before installing the bottom expansion screws, please be sure to correct the frame size**

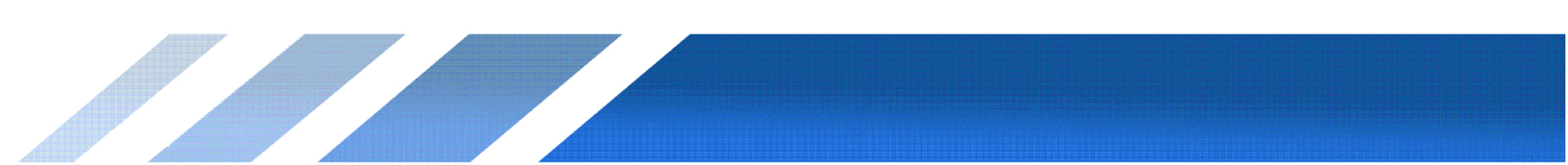




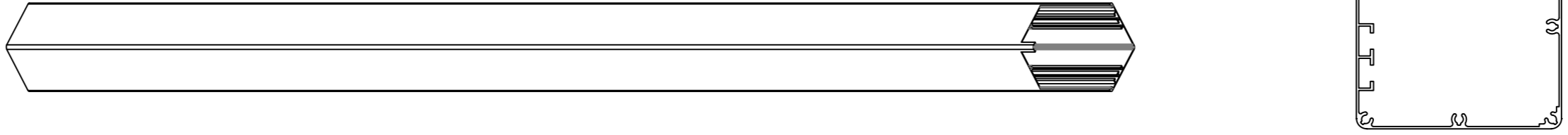
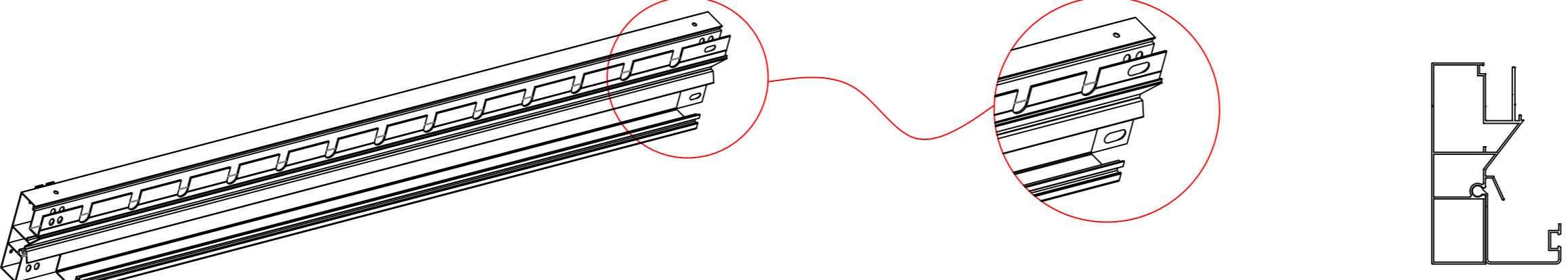
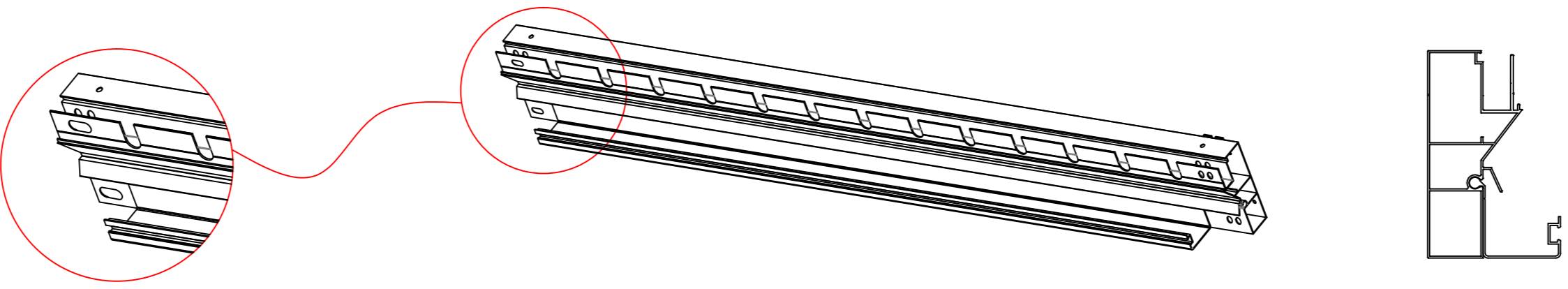
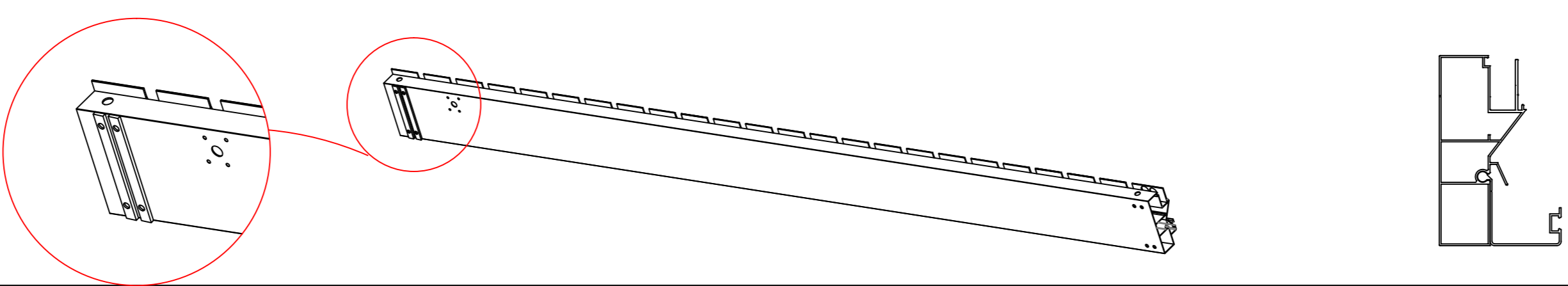
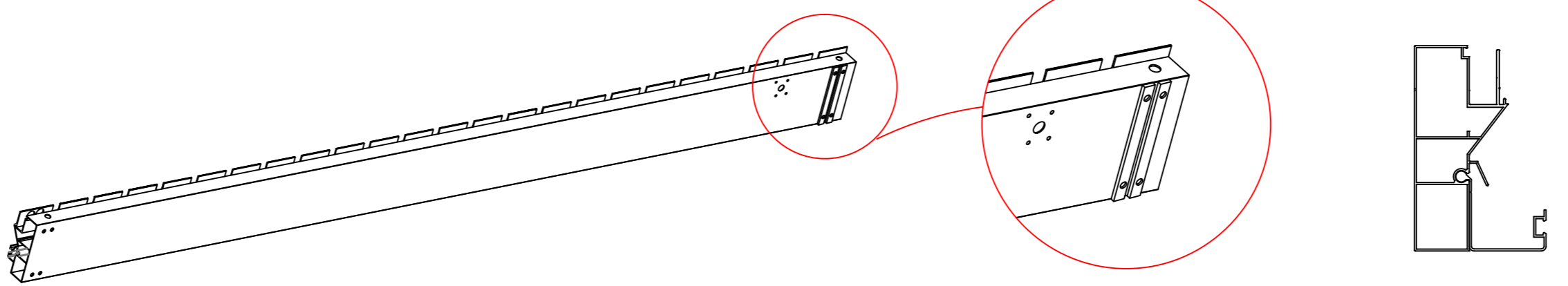
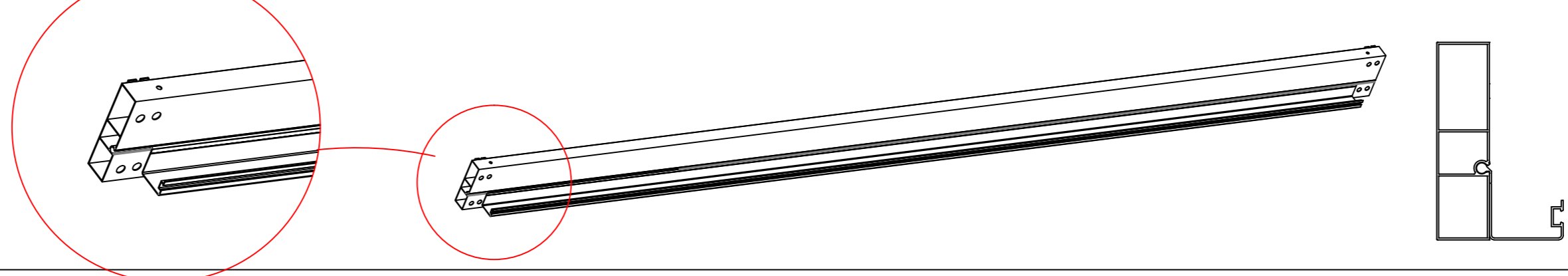
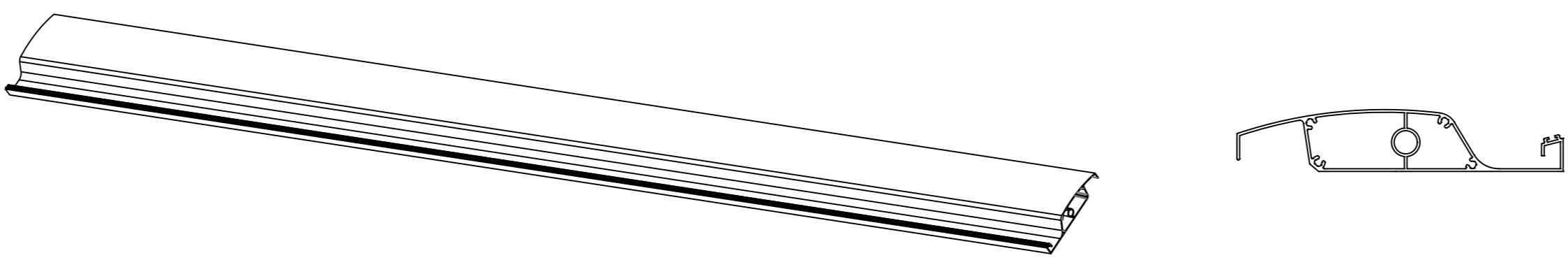
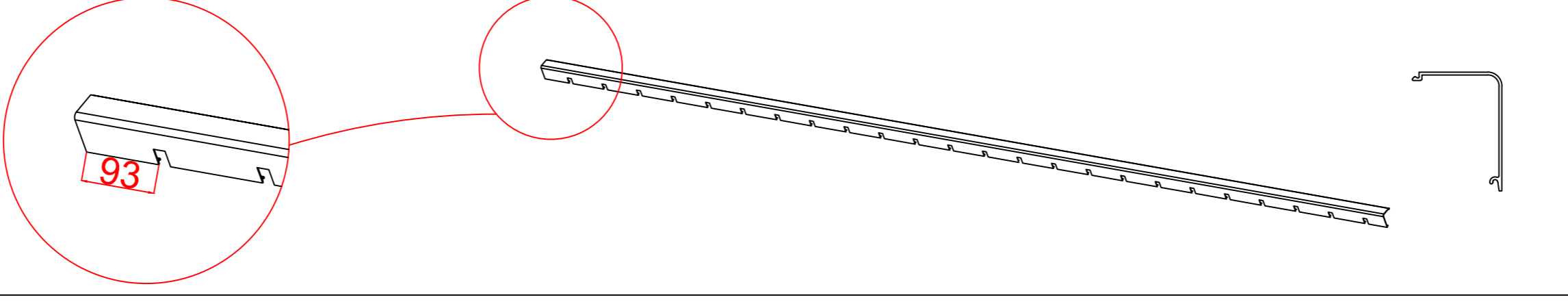
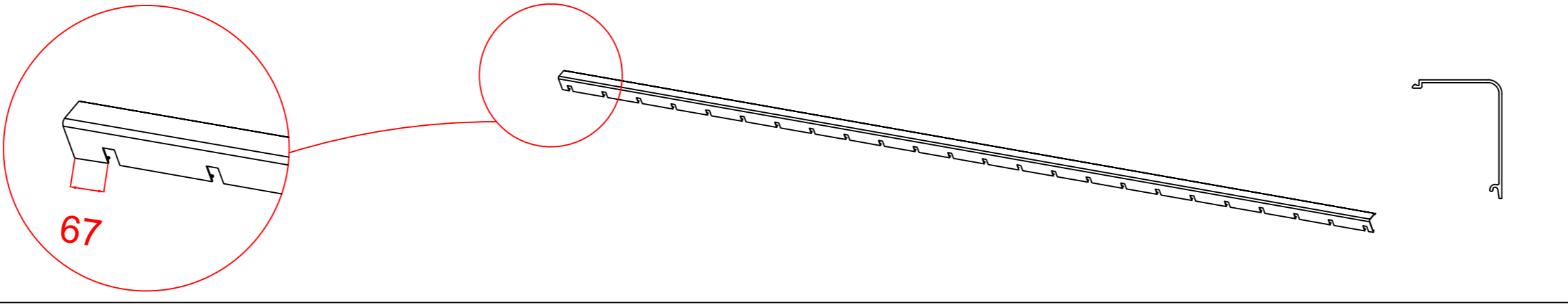
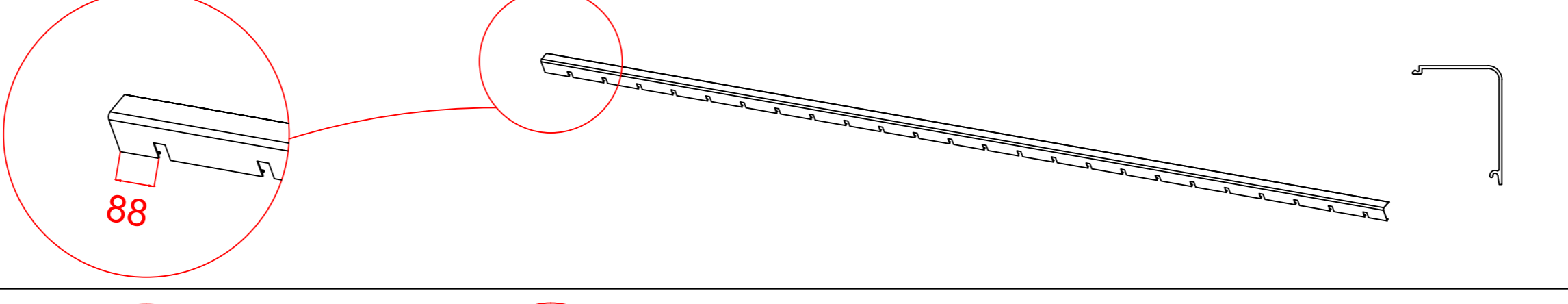
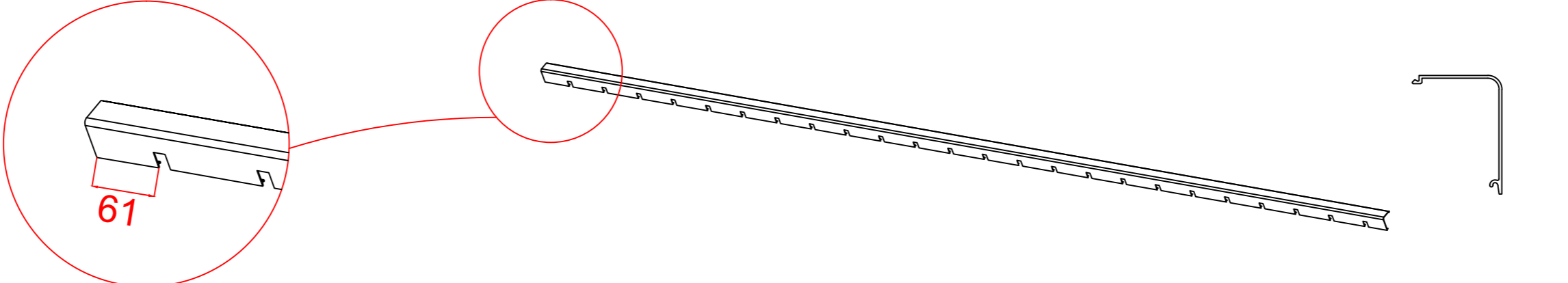


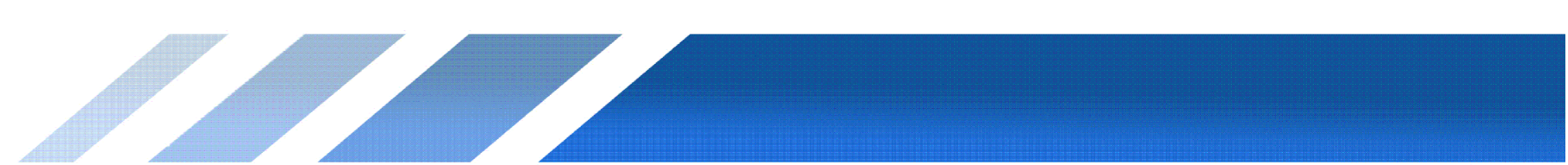
# 8×3m

|               | Item             | Qty | Item    | Qty | Item   | Qty | Item    | Qty |
|---------------|------------------|-----|---------|-----|--------|-----|---------|-----|
| Carton<br>1/6 | 3B-01            | 4   | 3B-11   | 4   | 3B-12  | 4   | 3B-13   | 6   |
|               | 3B-14            | 2   | 3B-15   | 2   | 3B-16  | 2   | 3B-18   | 1   |
|               | 3B-19            | 12  | 3B-20   | 108 | 3B-21  | 24  | 3B-22   | 36  |
|               | 3B-23            | 20  | 3B-24   | 1   | 3B-26  | 2   | 3B-32   | 2   |
|               | 3B-33            | 2   | 3B-45   | 8   | 3B-45B | 8   | 3B-46   | 6   |
|               | 3B-48            | 54  | 3B-49   | 52  | 3B-50  | 2   | 3B-51   | 432 |
|               |                  |     |         |     |        |     |         |     |
|               |                  |     |         |     |        |     |         |     |
| Carton<br>2/6 | 3B-02            | 1   | 3B-02-2 | 1   | 3B-03  | 1   | 3B-03-2 | 1   |
|               | 3B-08A<br>/B/C/D | 4   | 3B-09   | 4   |        |     |         |     |
|               |                  |     |         |     |        |     |         |     |
| Carton<br>3/6 | 3B-06            | 18  |         |     |        |     |         |     |
| Carton<br>4/6 | 3B-06            | 18  |         |     |        |     |         |     |
| Carton<br>5/6 | 3B-06            | 18  |         |     |        |     |         |     |
| Carton<br>6/6 | 3B-04            | 2   | 3B-27   | 2   |        |     |         |     |
|               |                  |     |         |     |        |     |         |     |



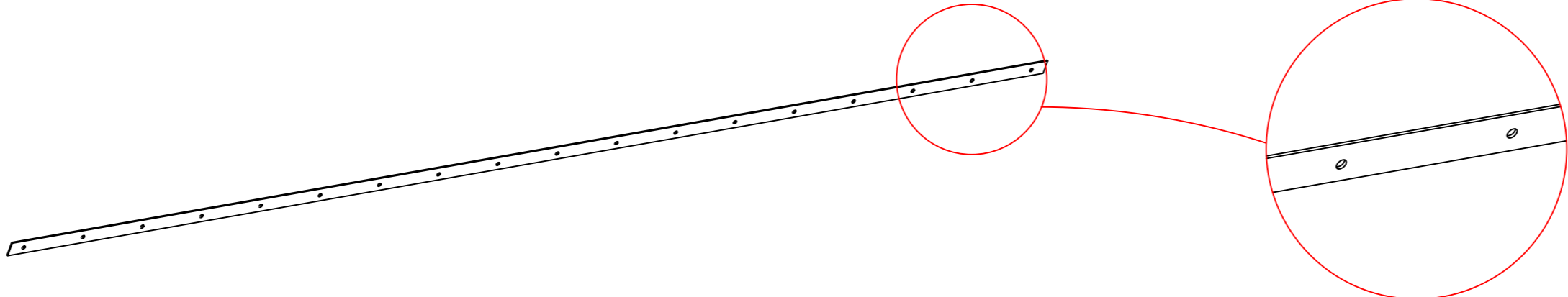
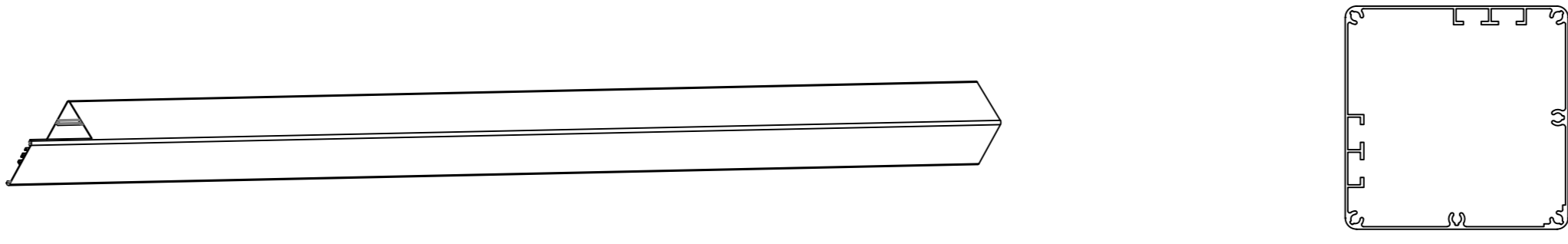


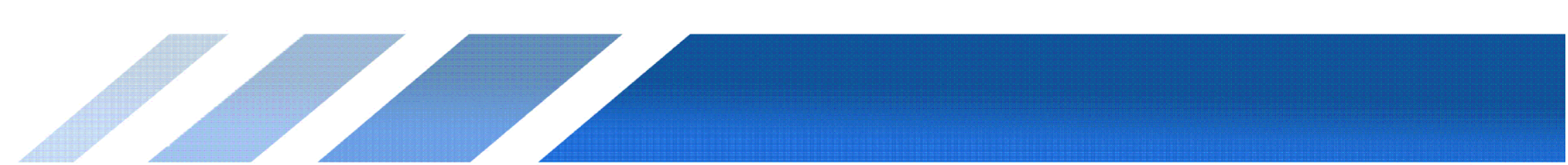
| Item    | Drawings   | Qty |
|---------|--|-----|
| 3B-01   |    | 4   |
| 3B-02   |    | 1   |
| 3B-02-2 |    | 1   |
| 3B-03   |   | 1   |
| 3B-03-2 |  | 1   |
| 3B-04   |  | 2   |
| 3B-06   |  | 54  |
| 3B-08A  |  | 1   |
| 3B-08B  |  | 1   |
| 3B-08C  |  | 1   |
| 3B-08D  |  | 1   |







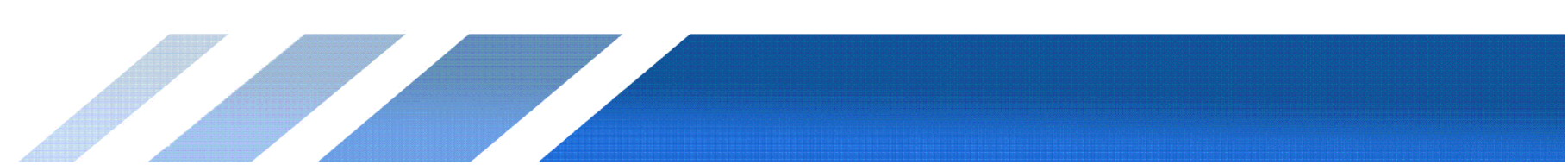
| Item  | Drawings   | Qty |
|-------|--|-----|
| 3B-09 |  | 4   |
| 3B-27 |  | 2   |
|       |  |     |
|       |  |     |
|       |  |     |
|       |  |     |
|       |  |     |
|       |  |     |
|       |  |     |
|       |  |     |

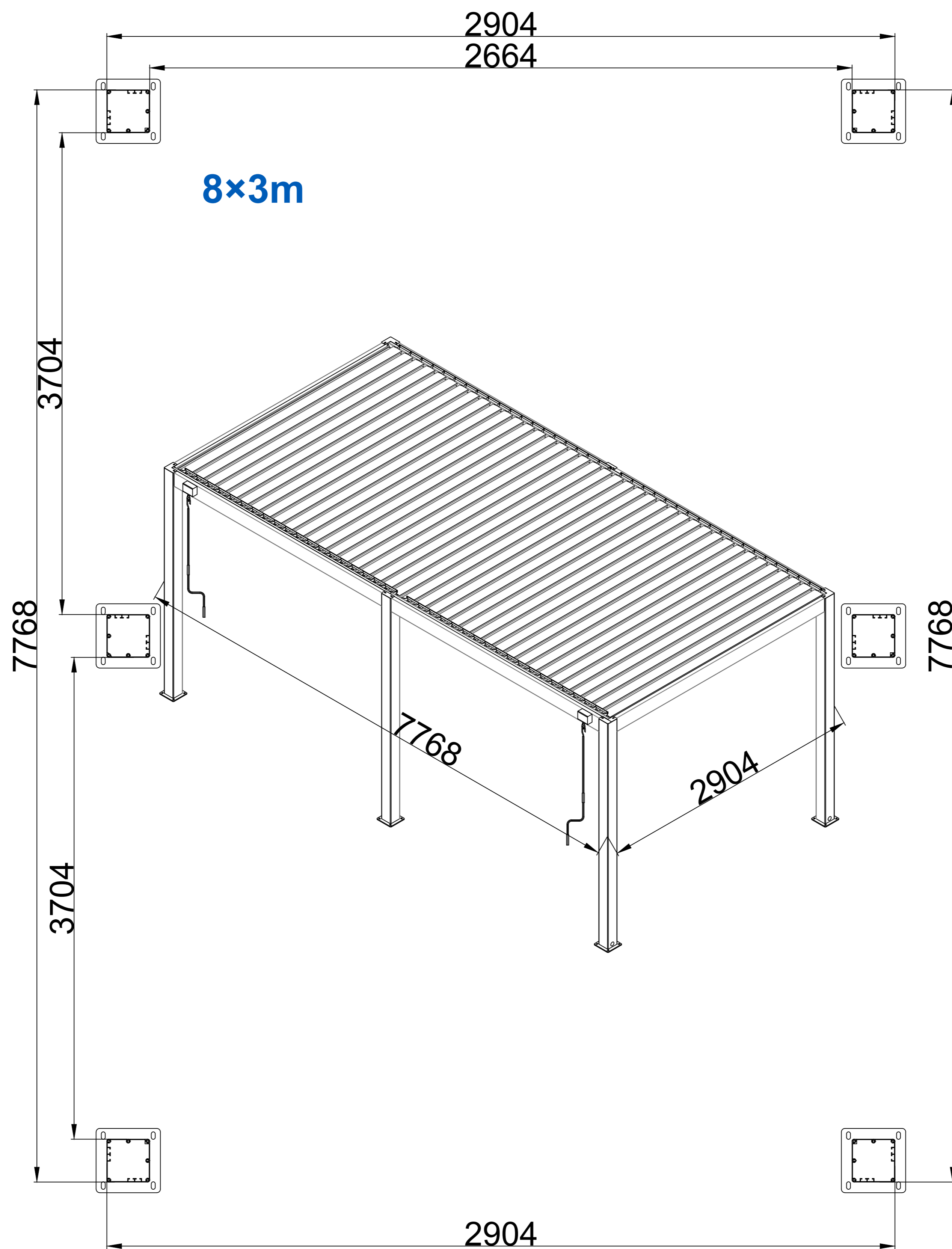




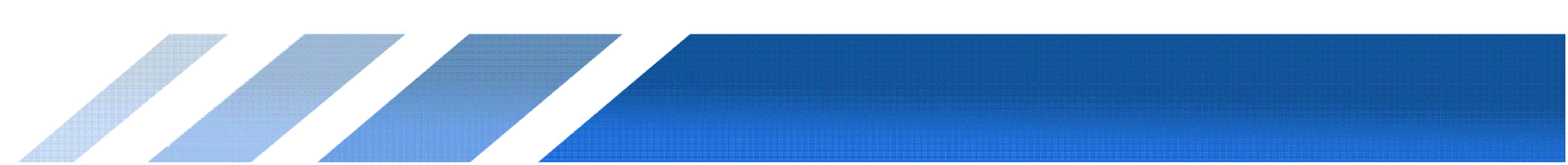
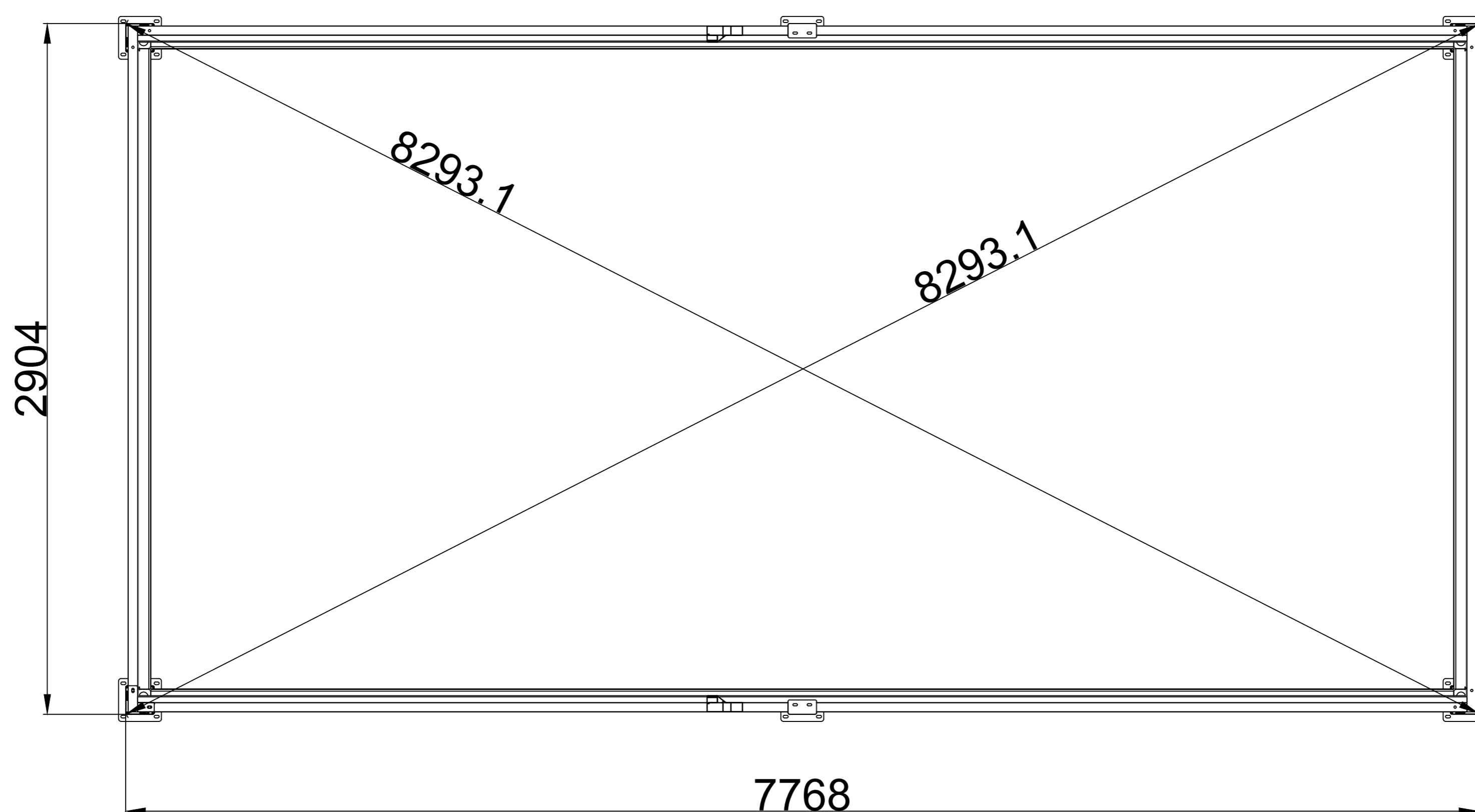
| Item  | Drawings    | Qty   |
|-------|-------------|-------|
| 3B-11 |             | 4     |
| 3B-12 |             | 4     |
| 3B-13 |             | 6     |
| 3B-14 |             | 2     |
| 3B-15 |             | 2     |
| 3B-16 |             | 2     |
| 3B-18 |             | 1     |
| 3B-19 | <br>M8*20   | 12+2  |
| 3B-20 | <br>5-12-M4 | 108+2 |
| 3B-21 | <br>M10*80  | 24    |
| 3B-22 |             | 36+2  |
| 3B-23 | <br>M4.2*19 | 20+2  |
| 3B-24 |             | 1     |
| 3B-26 |             | 2     |
| 3B-32 |             | 2     |

| Item   | Drawings    | Qty   |
|--------|-------------|-------|
| 3B-33  |             | 2     |
| 3B-45  | <br>M8*12   | 8     |
| 3B-45B |             | 8     |
| 3B-46  |             | 6     |
| 3B-48  |             | 54    |
| 3B-49  |             | 52    |
| 3B-50  |             | 2     |
| 3B-51  | <br>M4.2*25 | 432+4 |
|        |             |       |
|        |             |       |
|        |             |       |
|        |             |       |
|        |             |       |
|        |             |       |
|        |             |       |
|        |             |       |
|        |             |       |
|        |             |       |



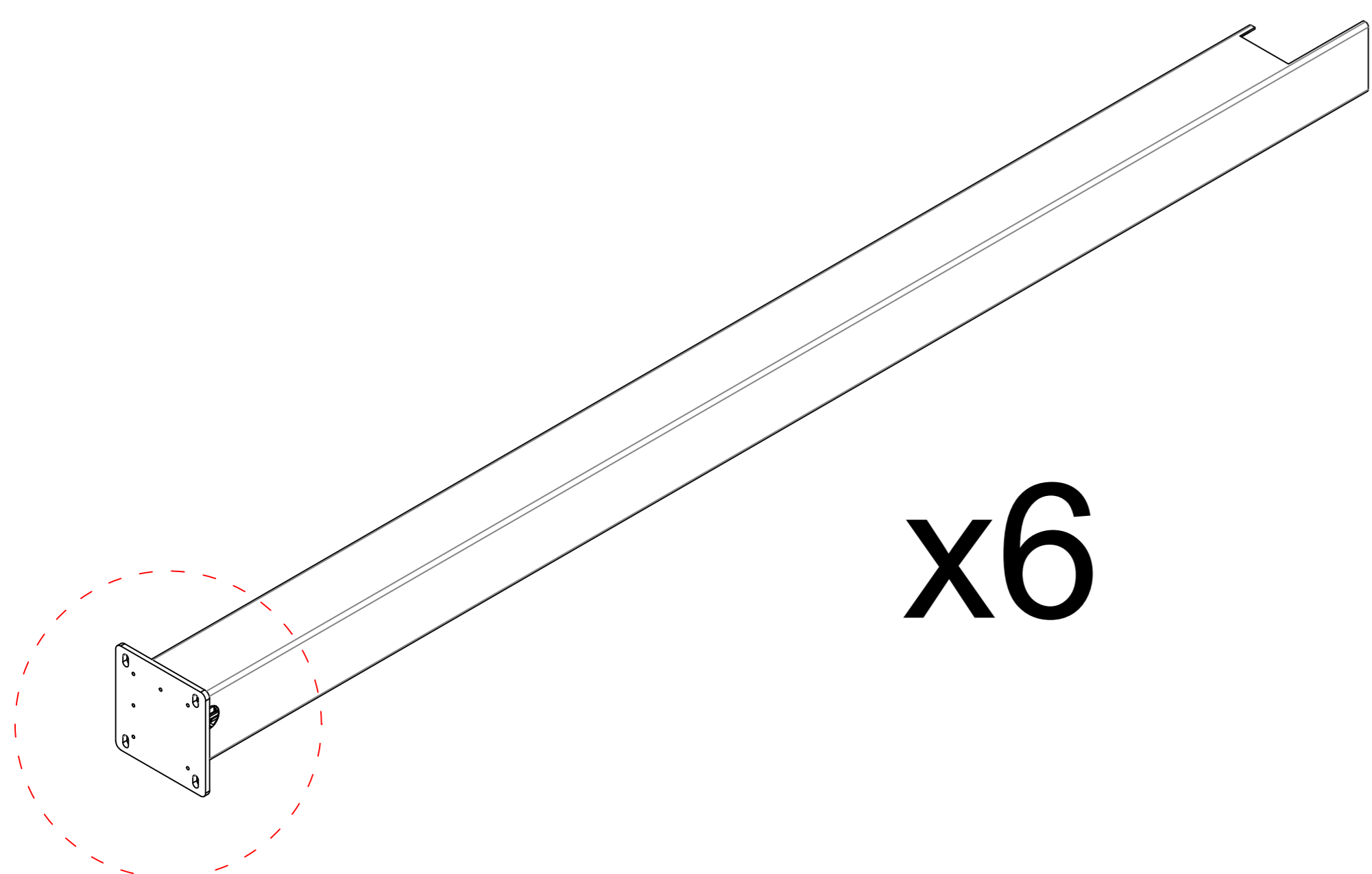
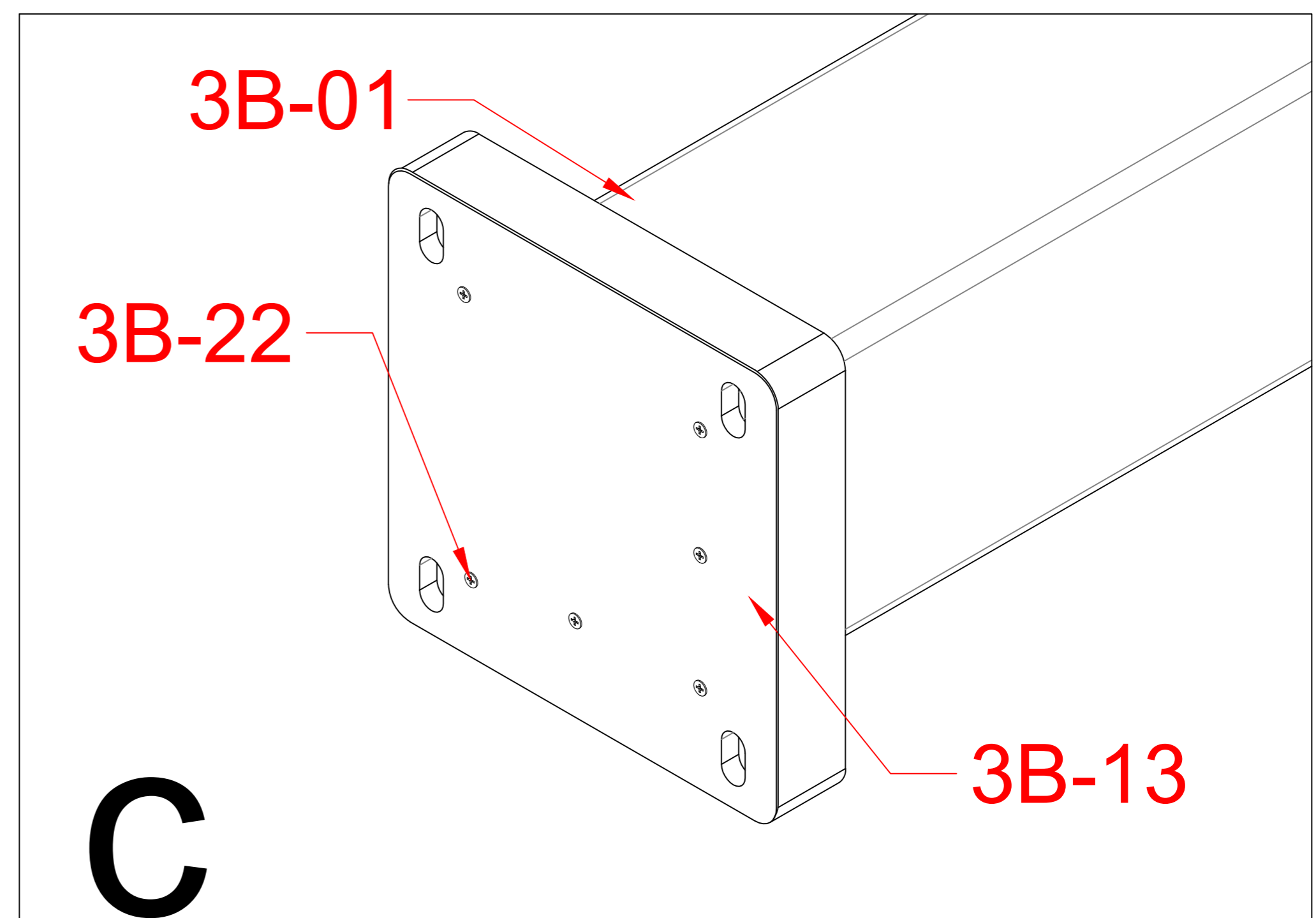
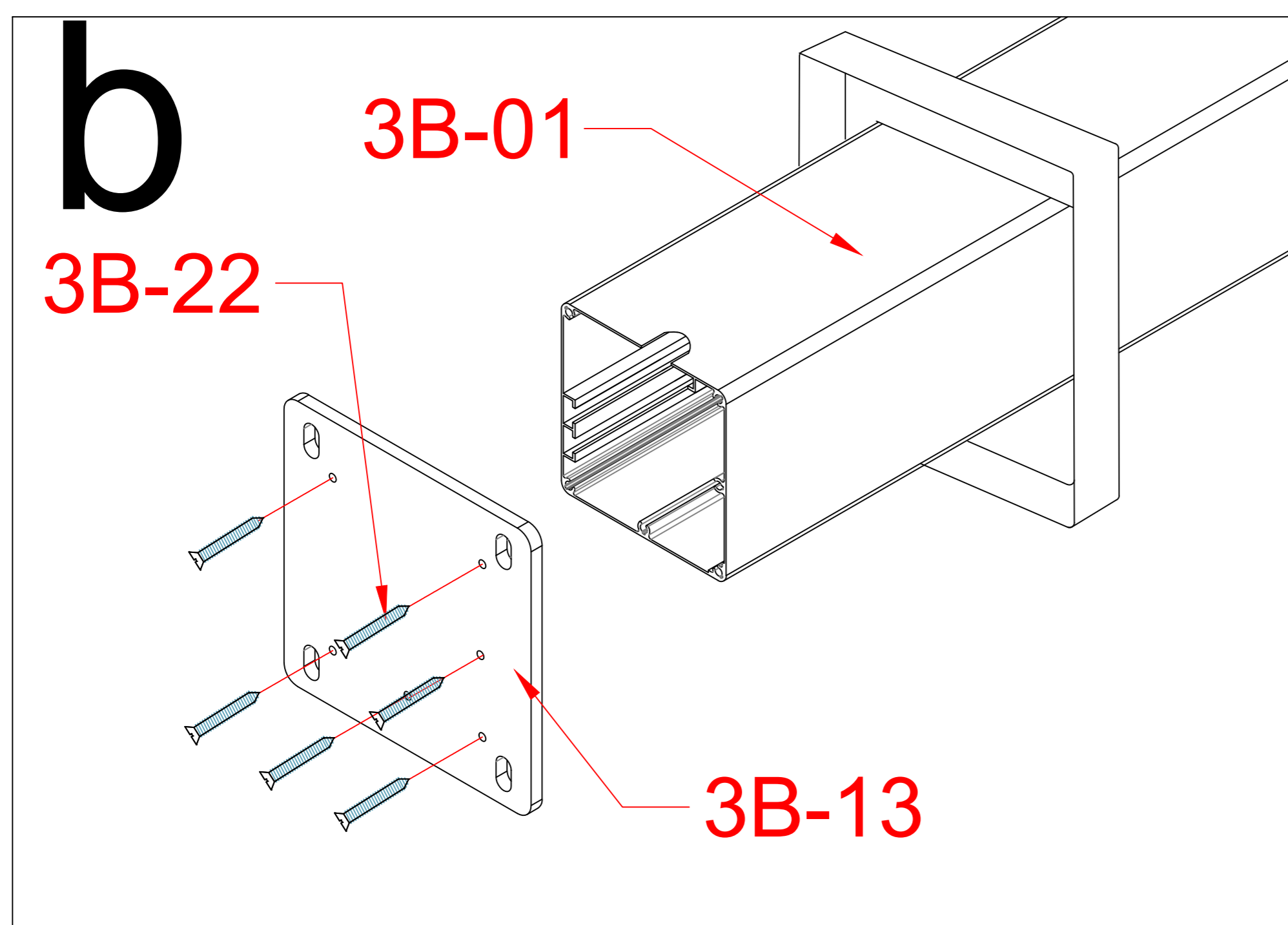
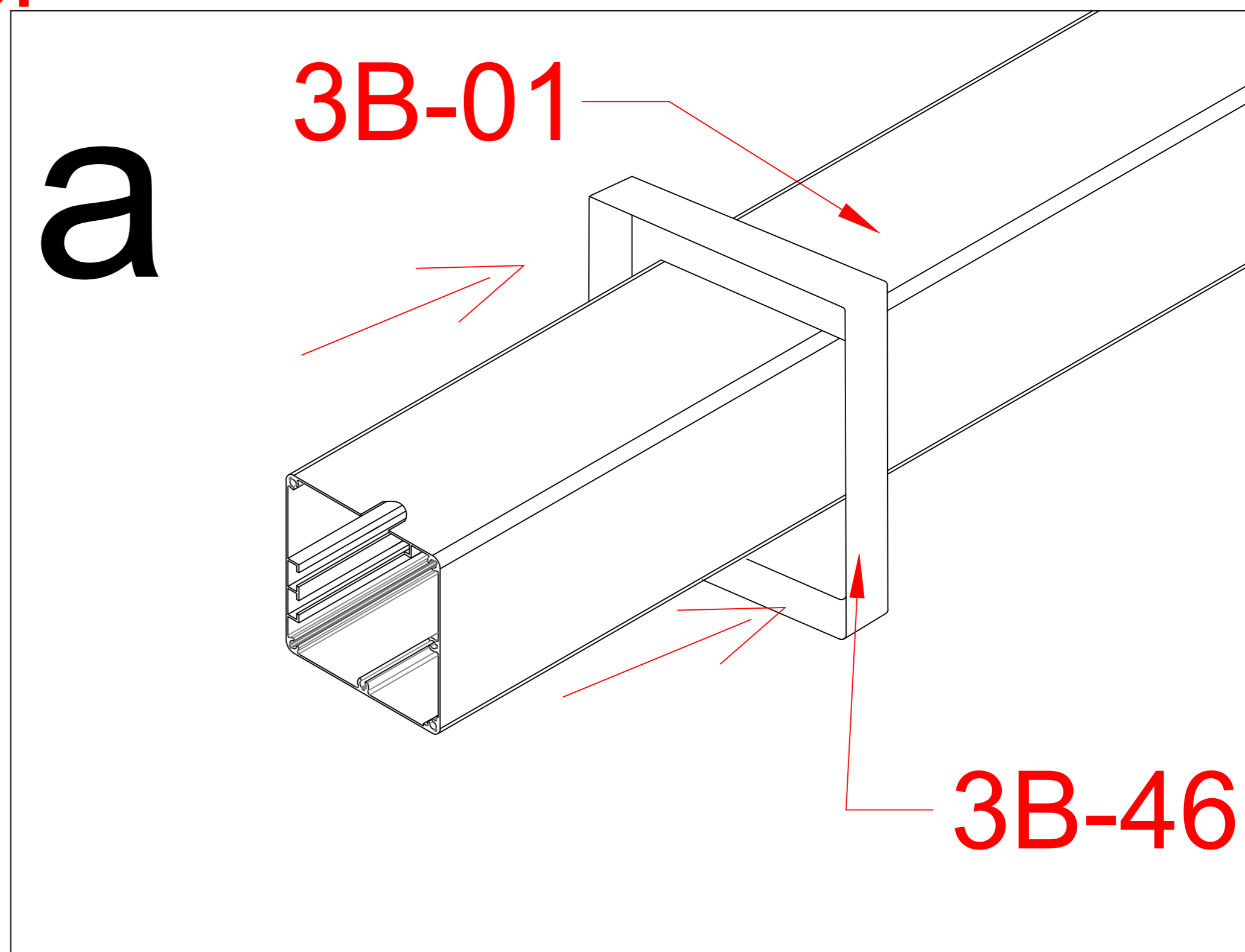


**Before installing the bottom expansion screws, please be sure to correct the frame size**

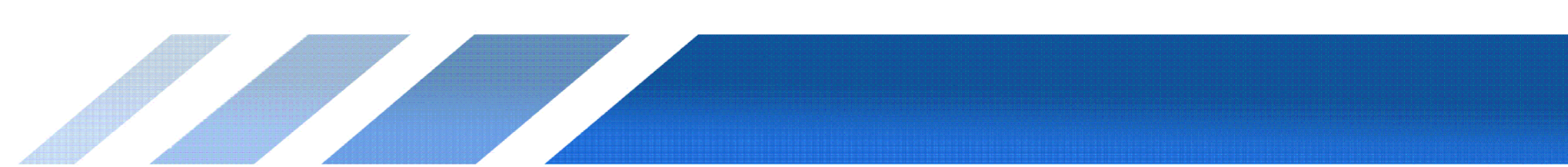


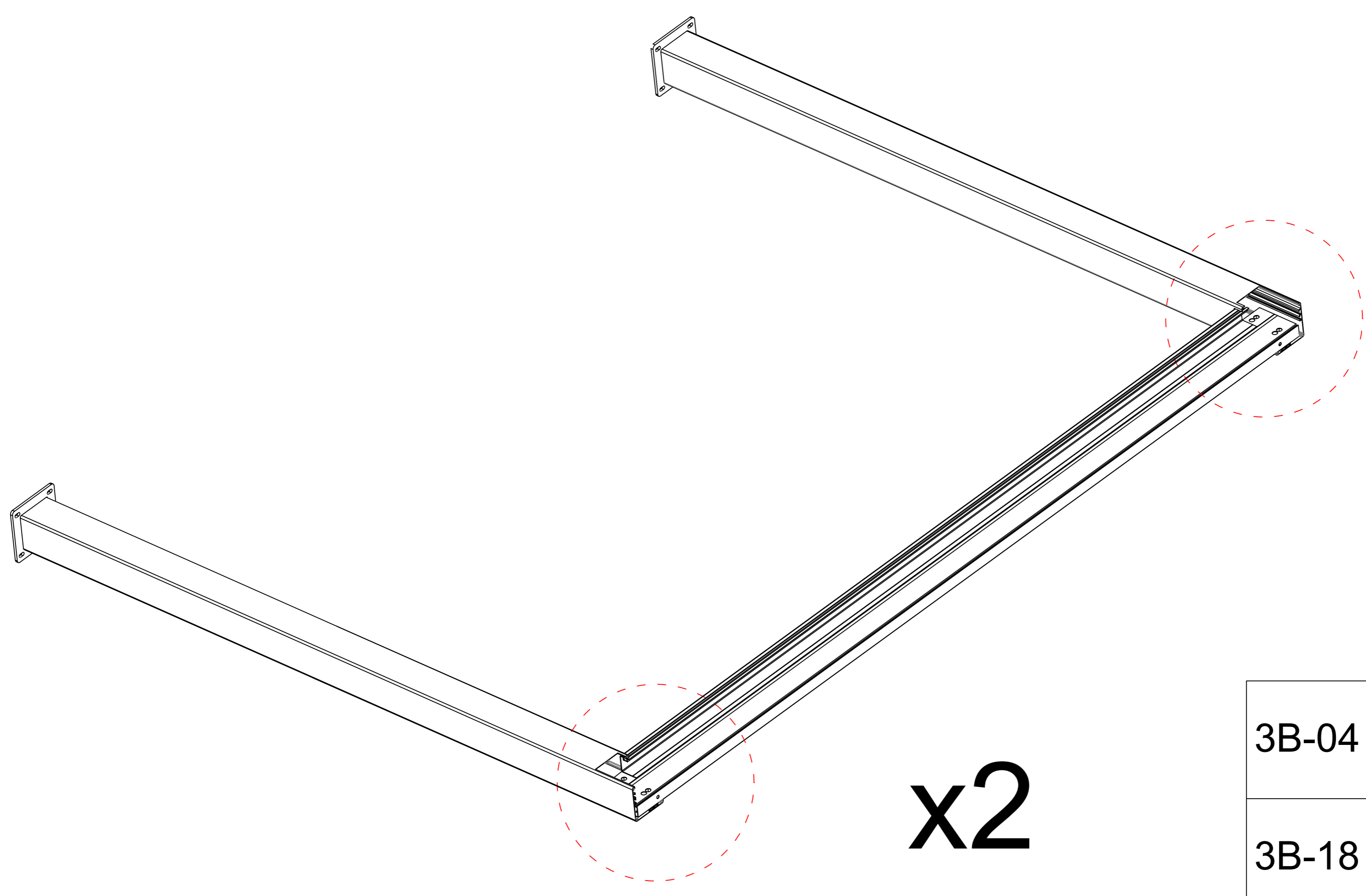
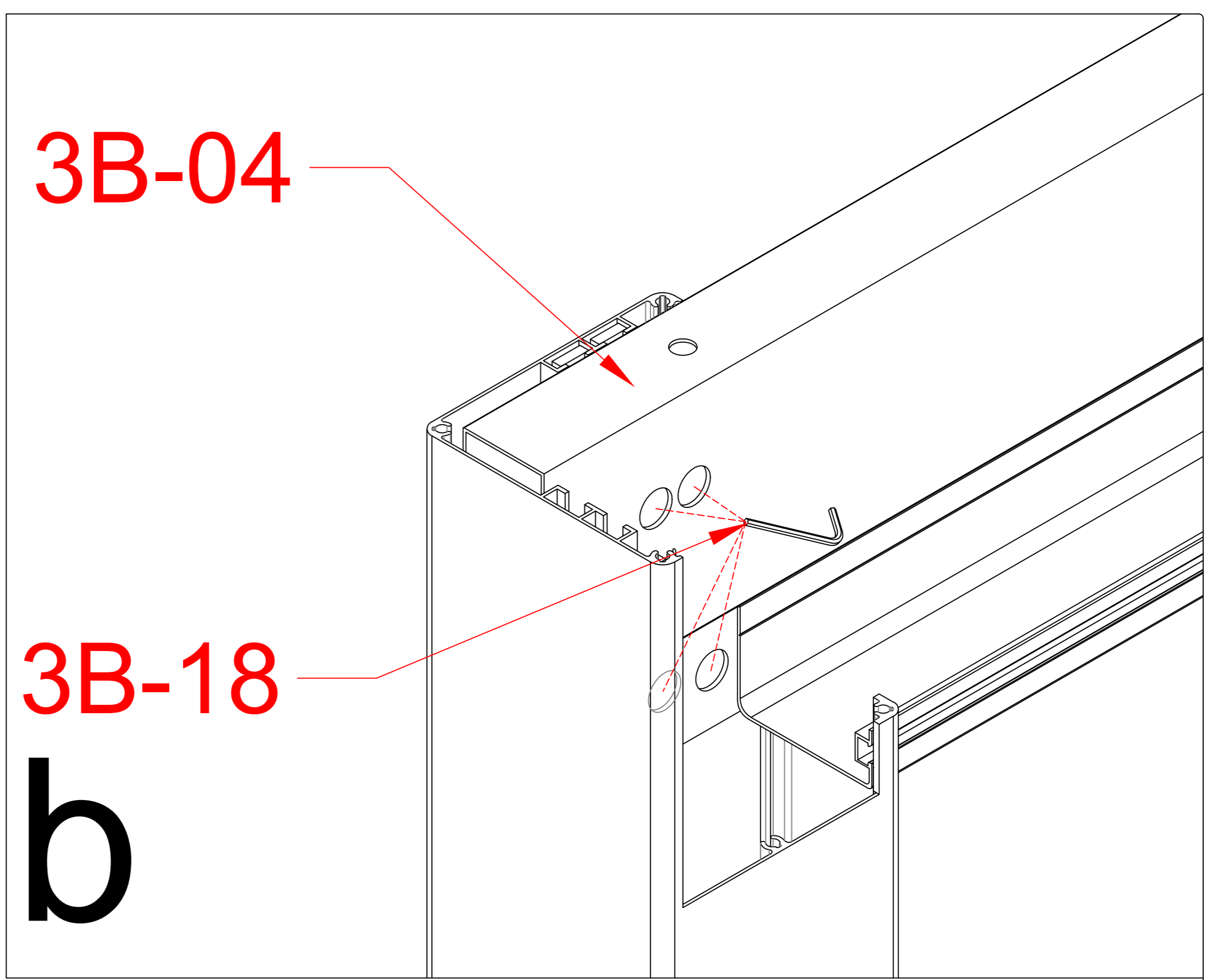
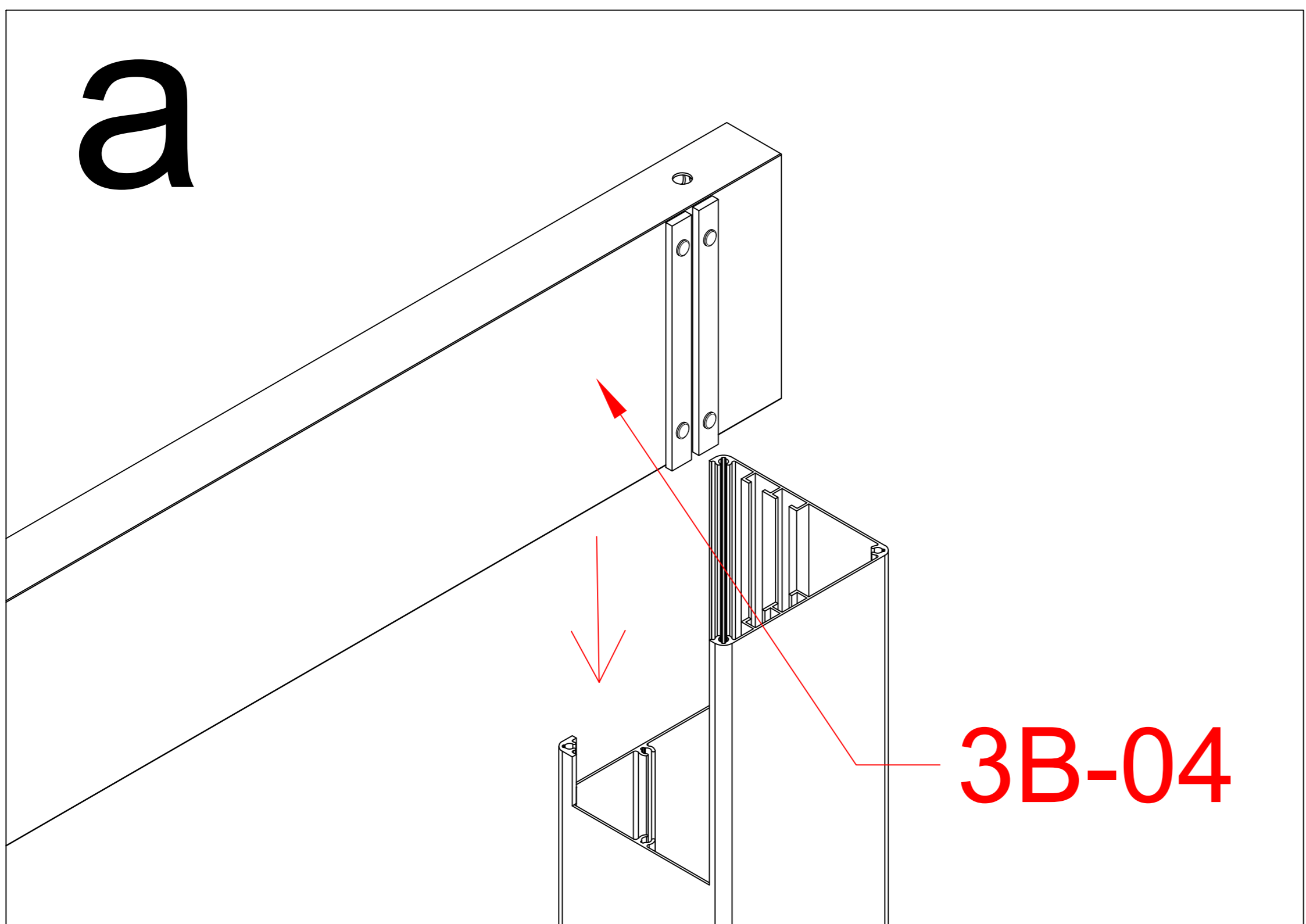


During the installation process, if you encounter any uncertainties, please refer to the installation instructions on the product page of the website.

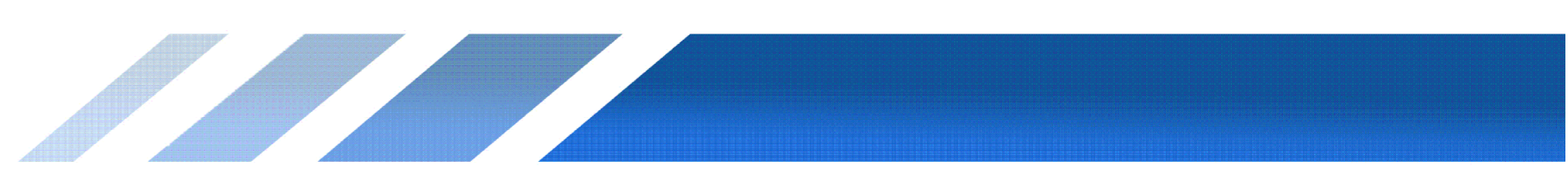


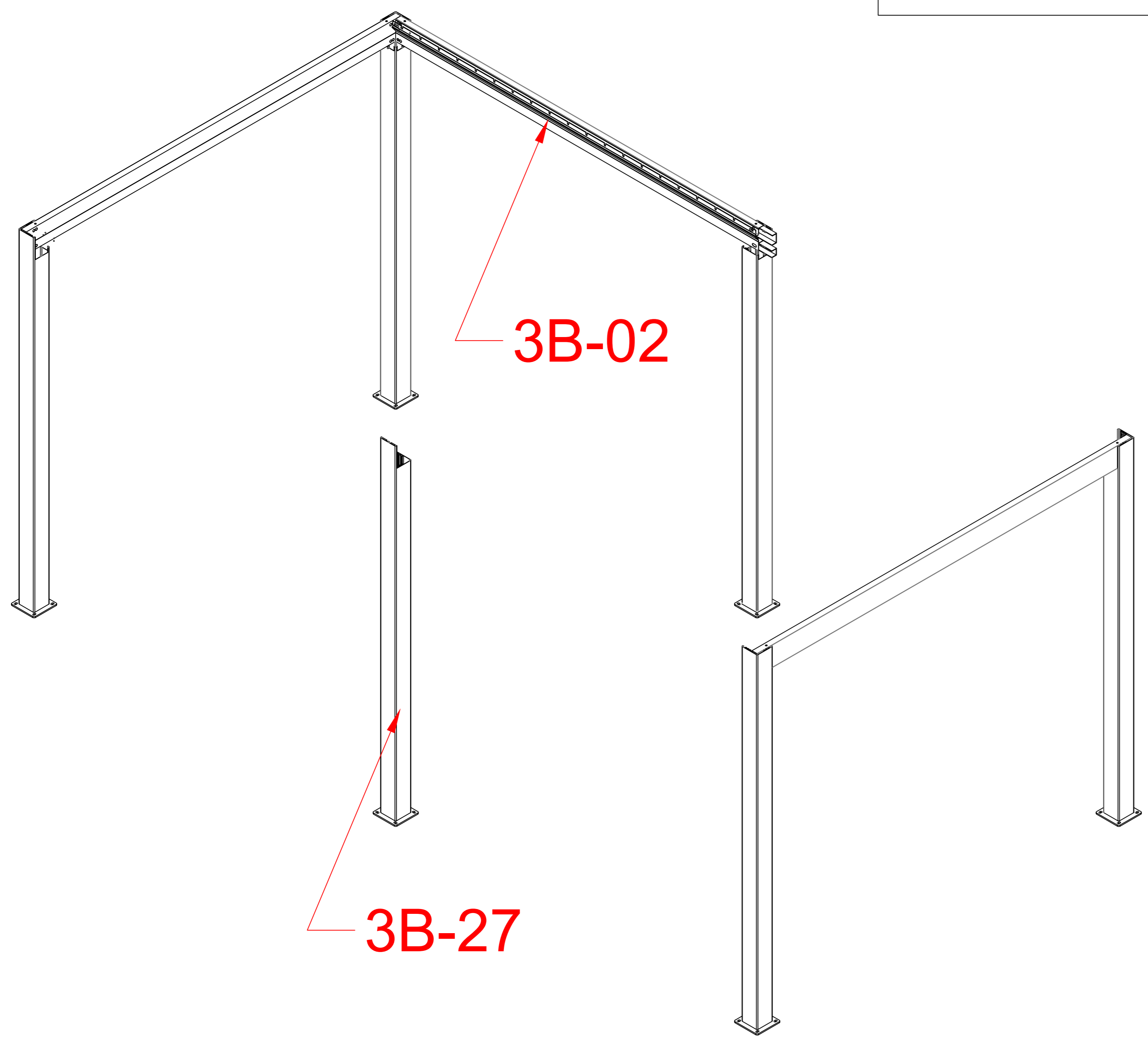
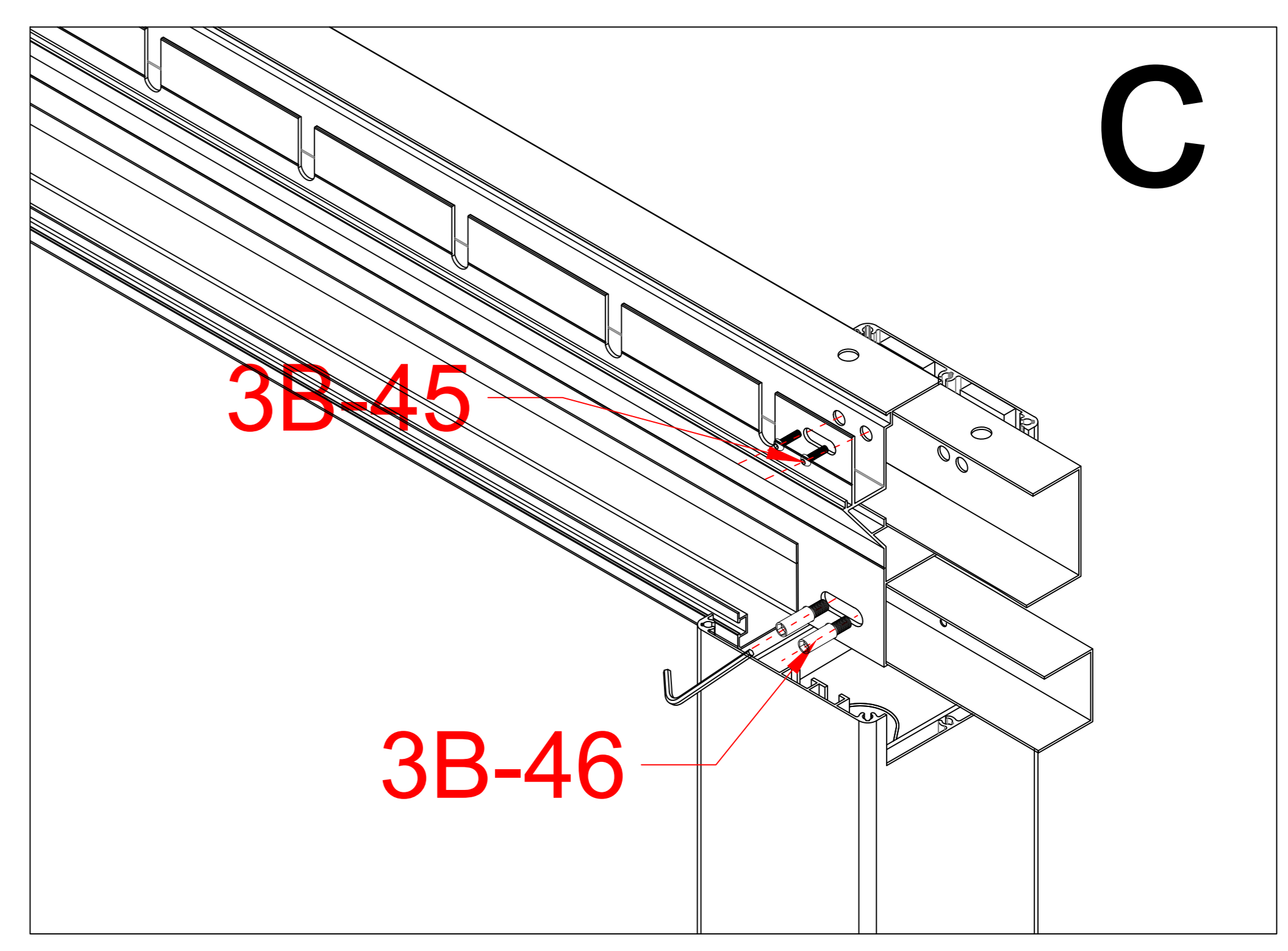
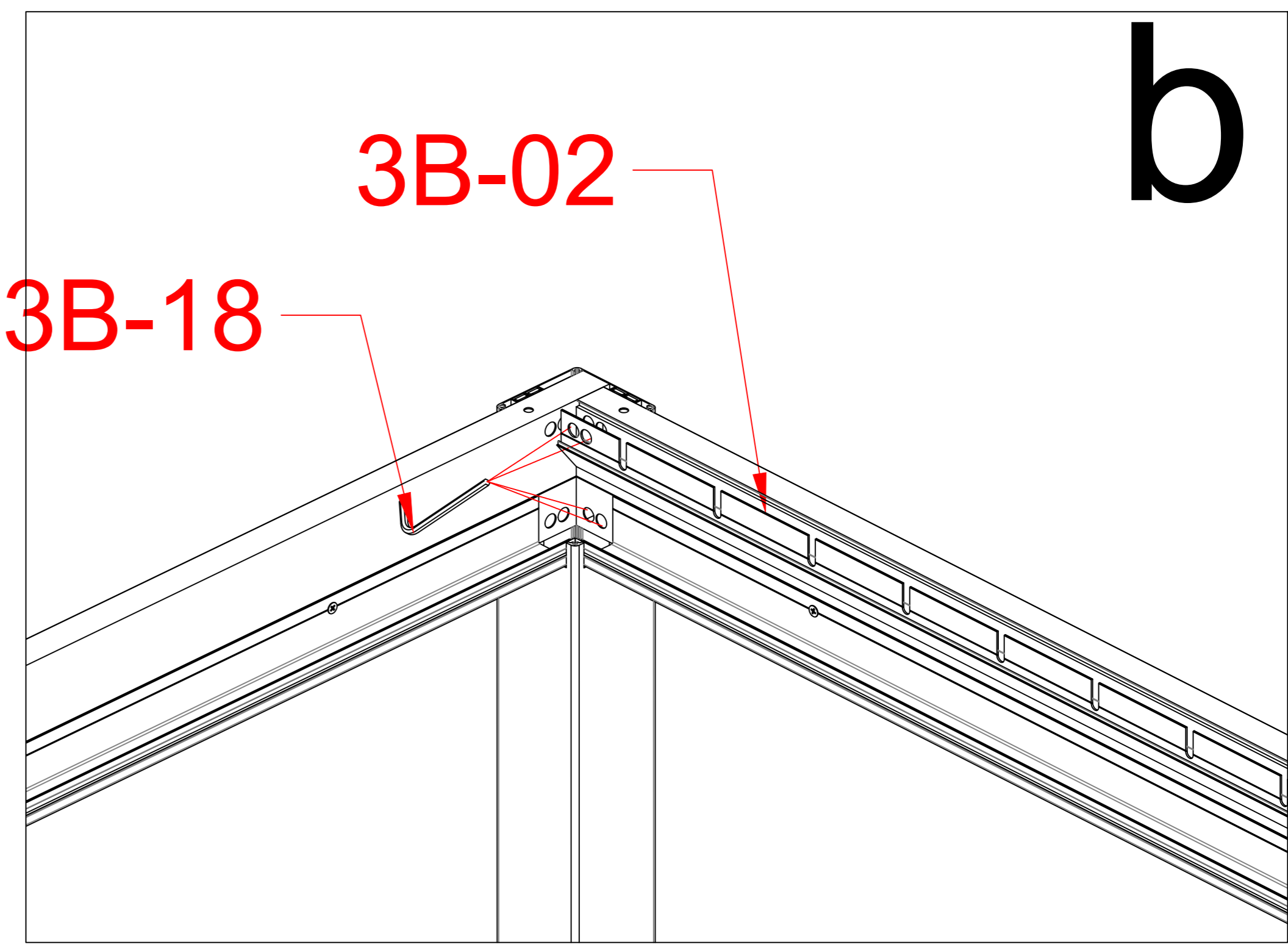
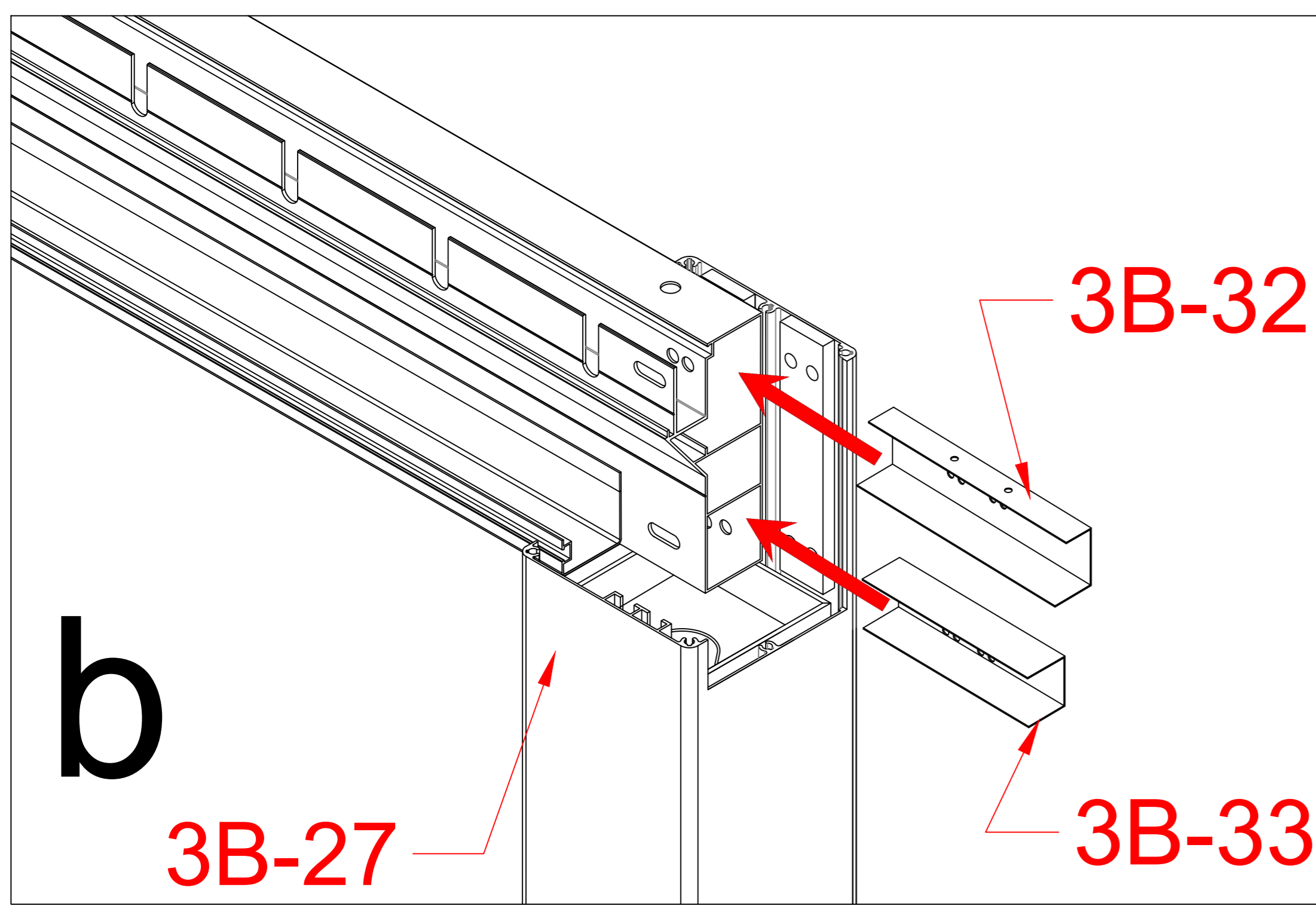
|               |  |    |
|---------------|--|----|
| 3B-46         |  | 6  |
| 3B-27         |  | 2  |
| 3B-01/<br>01B |  | 4  |
| 3B-13         |  | 6  |
| 3B-22         |  | 36 |



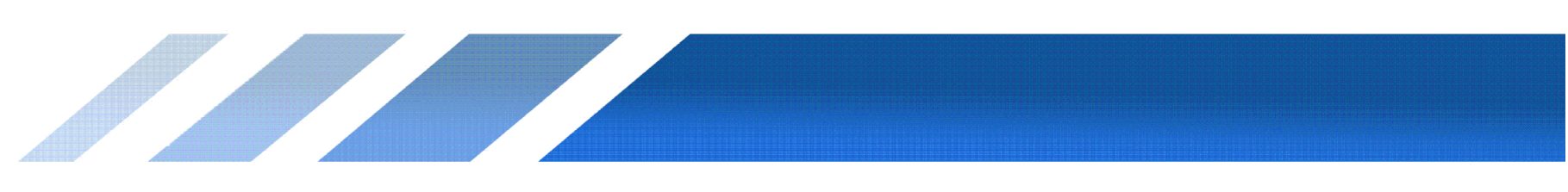


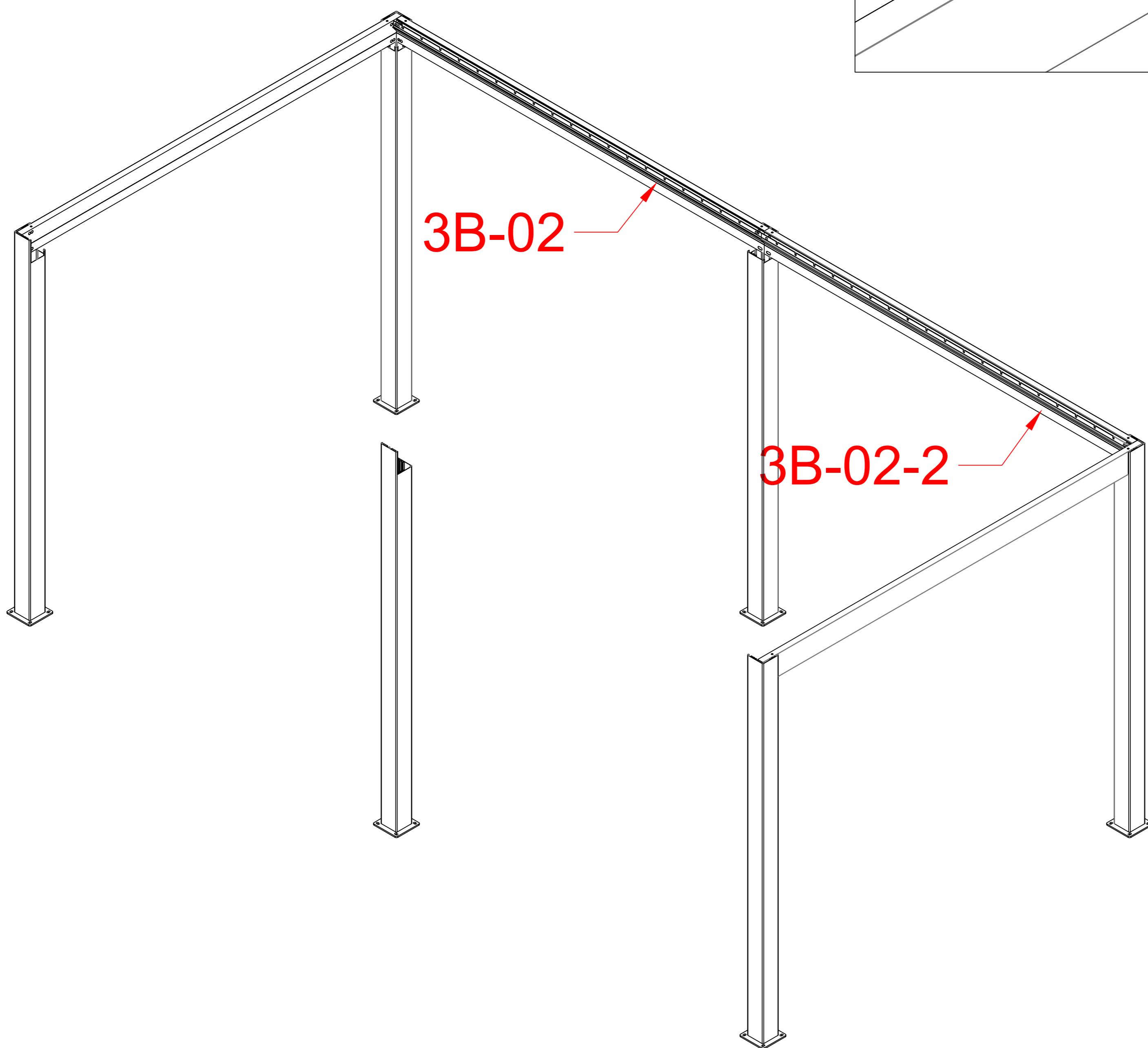
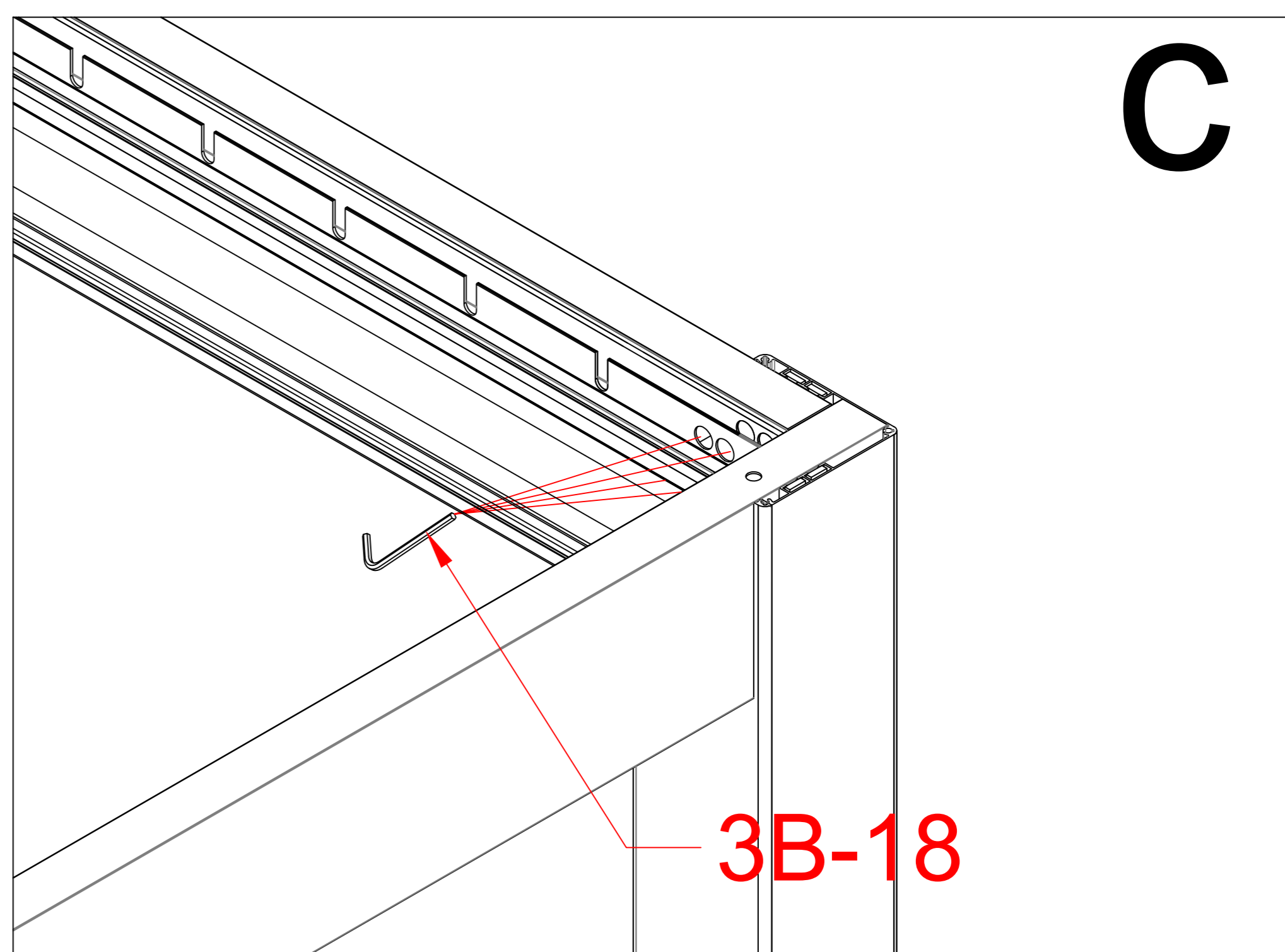
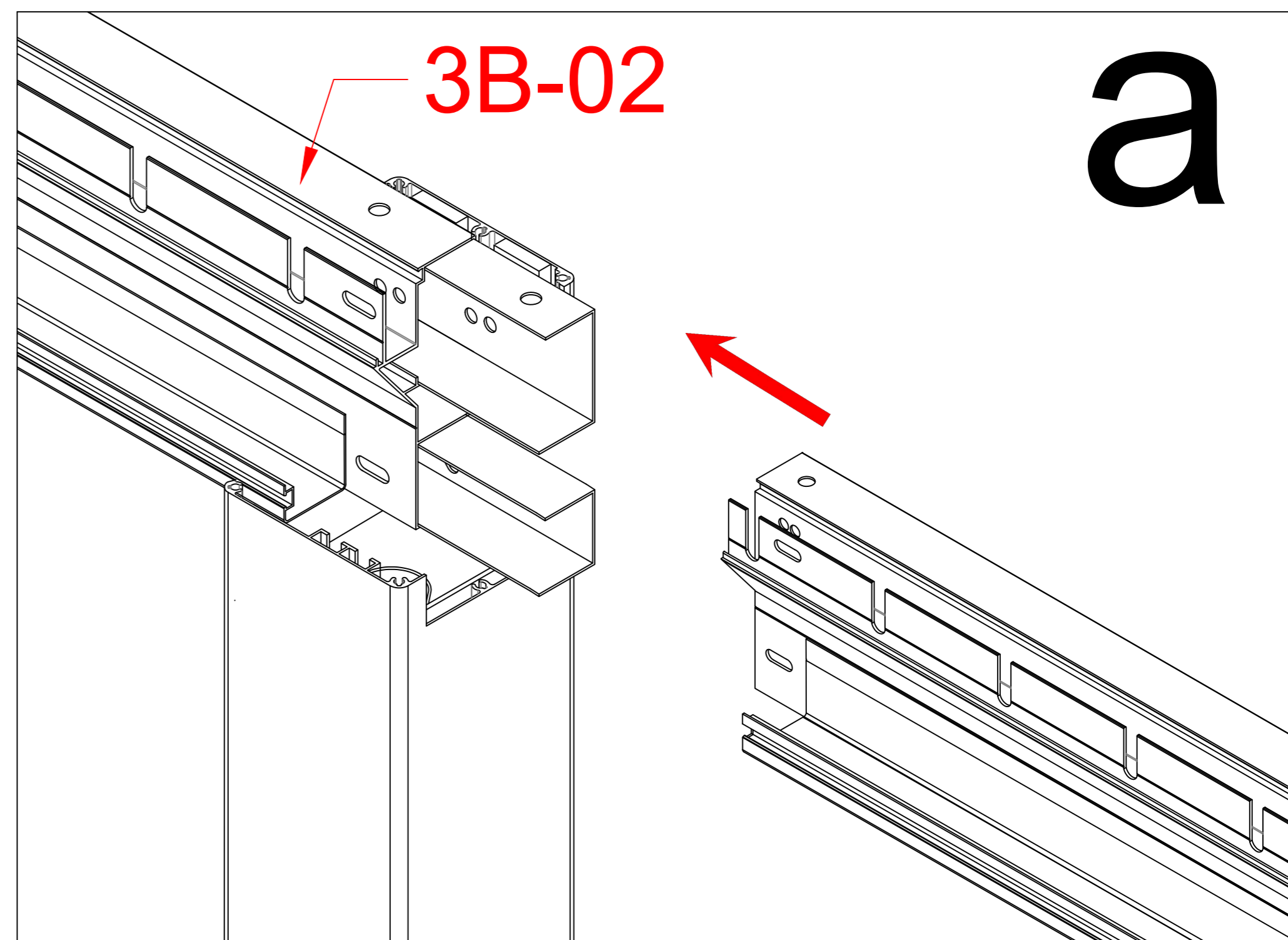
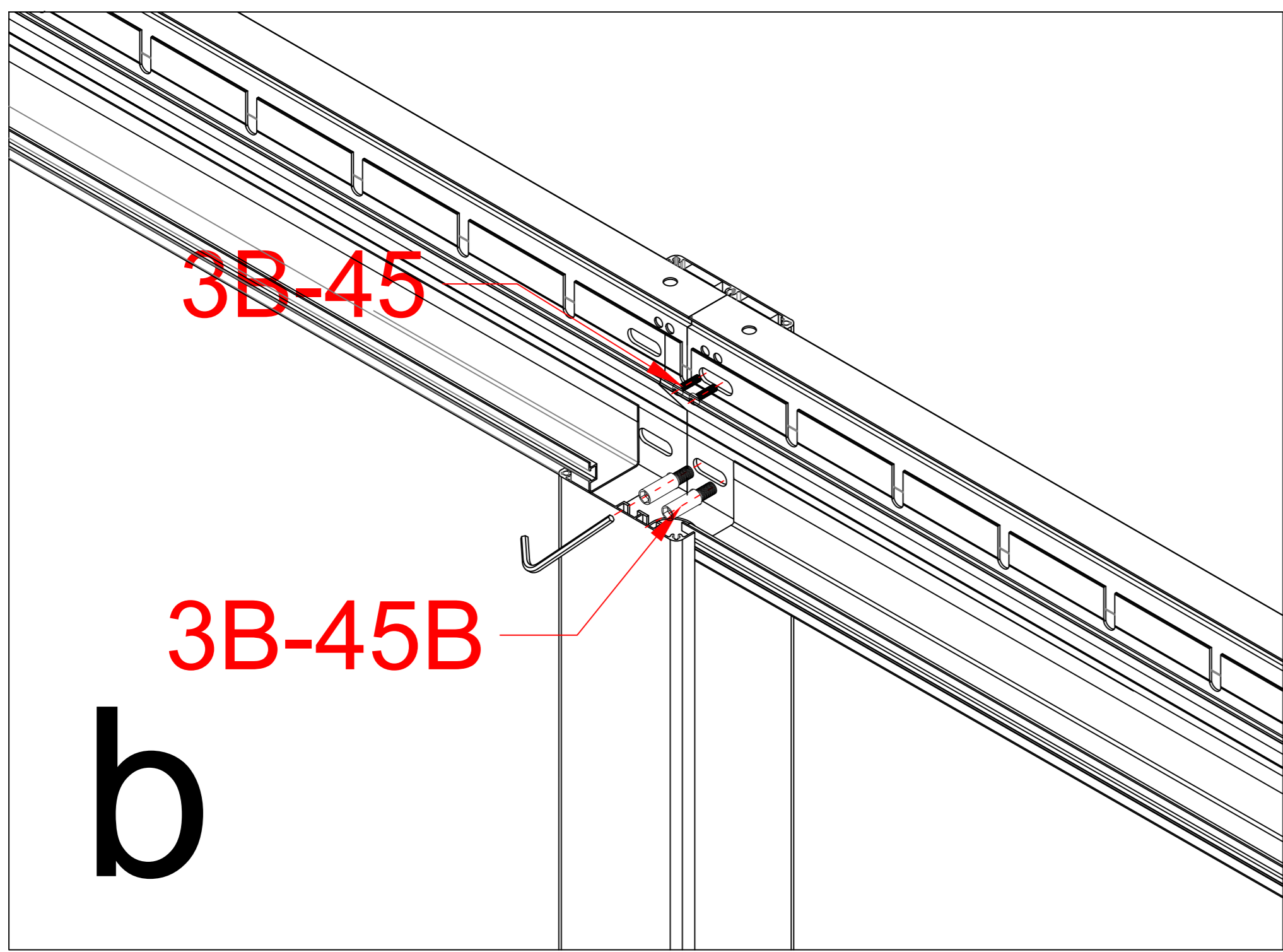
|       |  |   |
|-------|--|---|
| 3B-04 |  | 2 |
| 3B-18 |  | 1 |



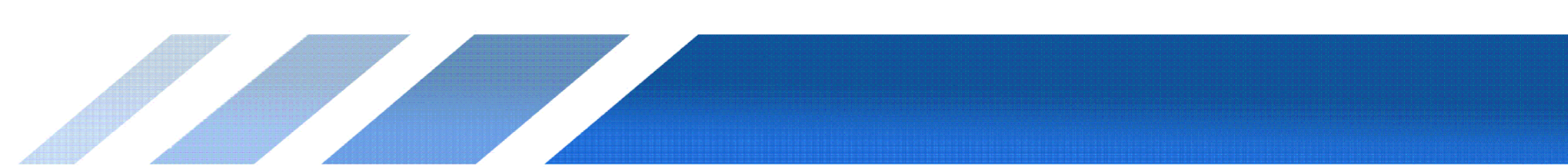


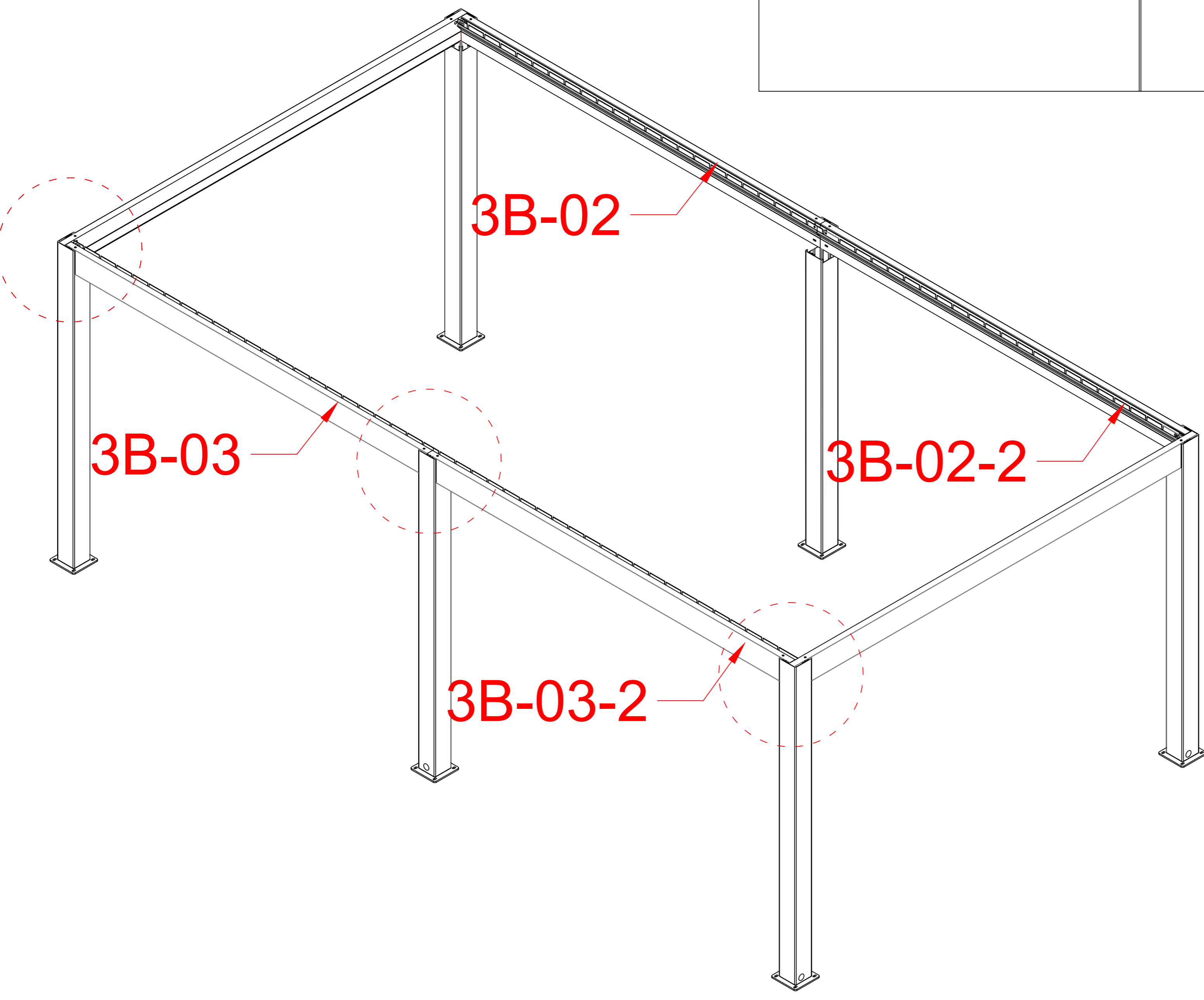
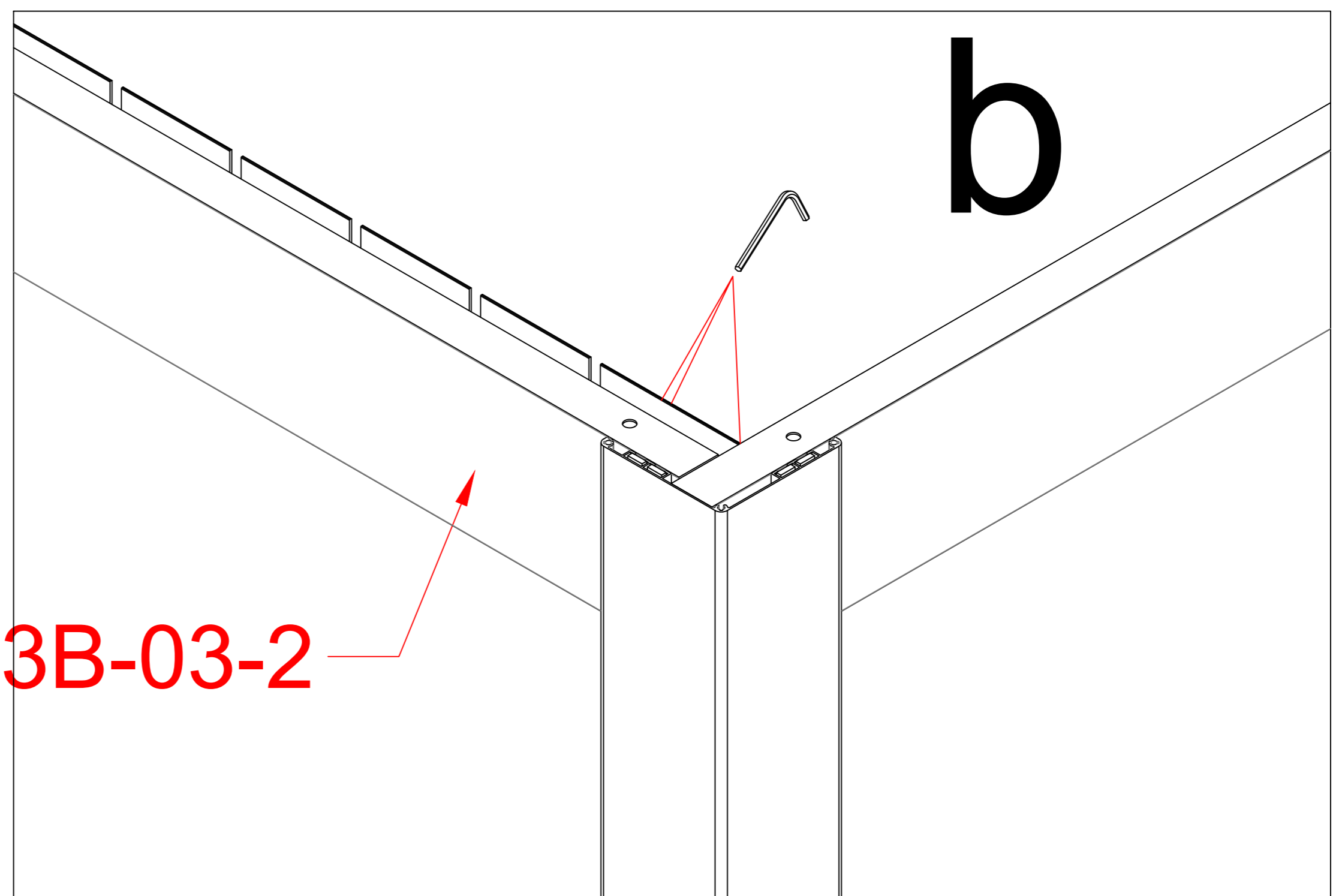
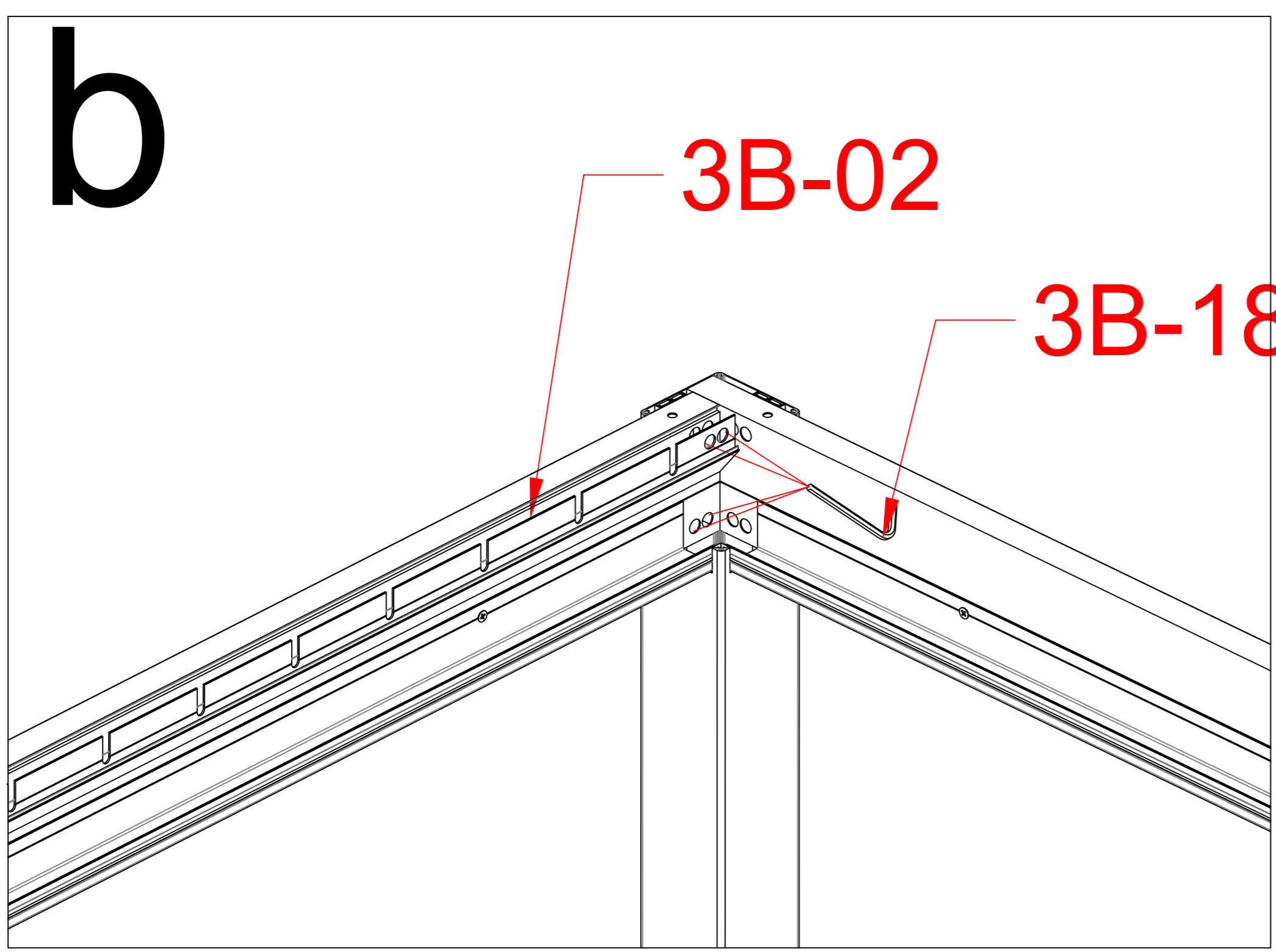
|        |  |  |   |
|--------|--|--|---|
| 3B-45B |  |  | 2 |
| 3B-45  |  |  | 2 |
| 3B-32  |  |  | 1 |
| 3B-33  |  |  | 1 |
| 3B-27  |  |  | 1 |
| 3B-02  |  |  | 1 |





|         |  |   |
|---------|--|---|
| 3B-45B  |  | 2 |
| 3B-18   |  | 1 |
| 3B-45   |  | 2 |
| 3B-02-2 |  | 1 |





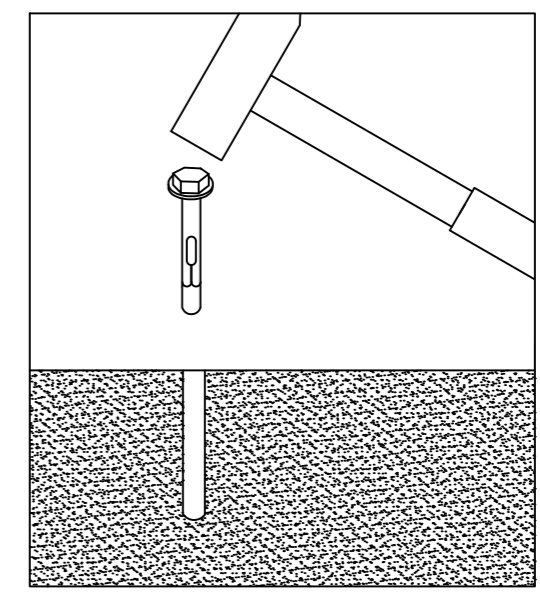
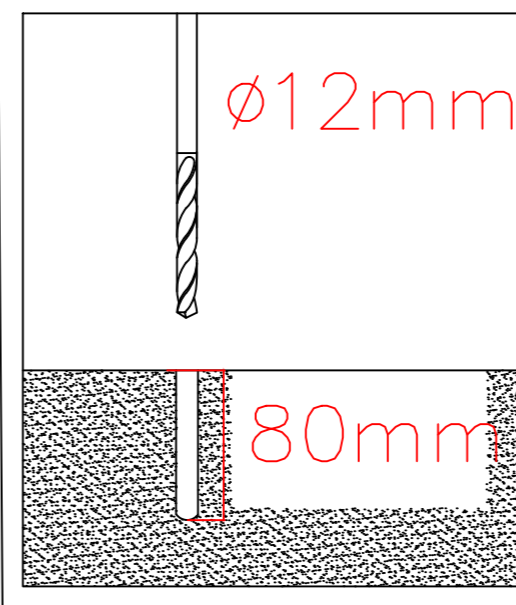
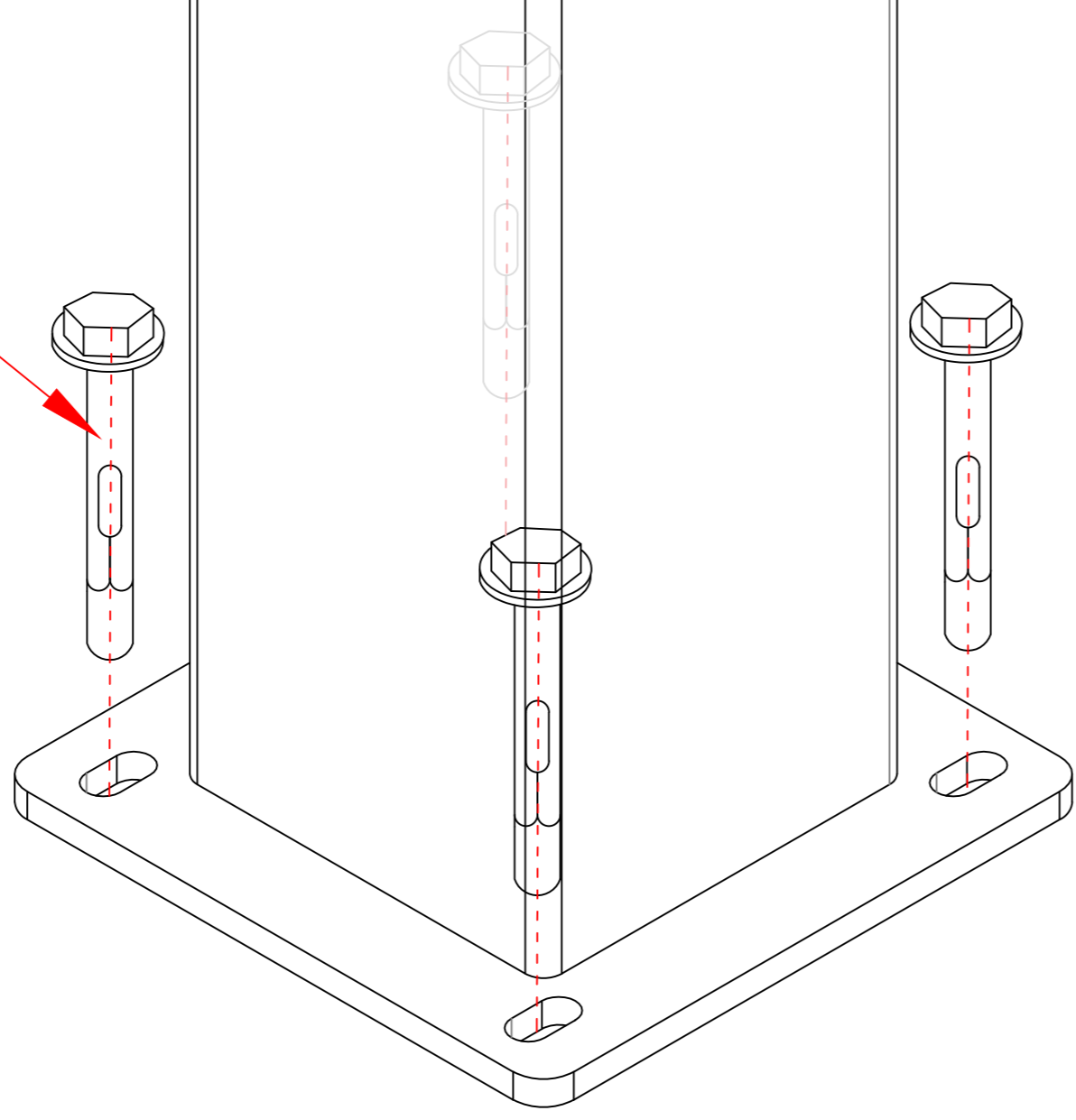
|         |  |   |
|---------|--|---|
| 3B-46   |  | 4 |
| 3B-32   |  | 1 |
| 3B-33   |  | 1 |
| 3B-03   |  | 1 |
| 3B-03-2 |  | 1 |
| 3B-45   |  | 4 |
| 3B-18   |  | 1 |



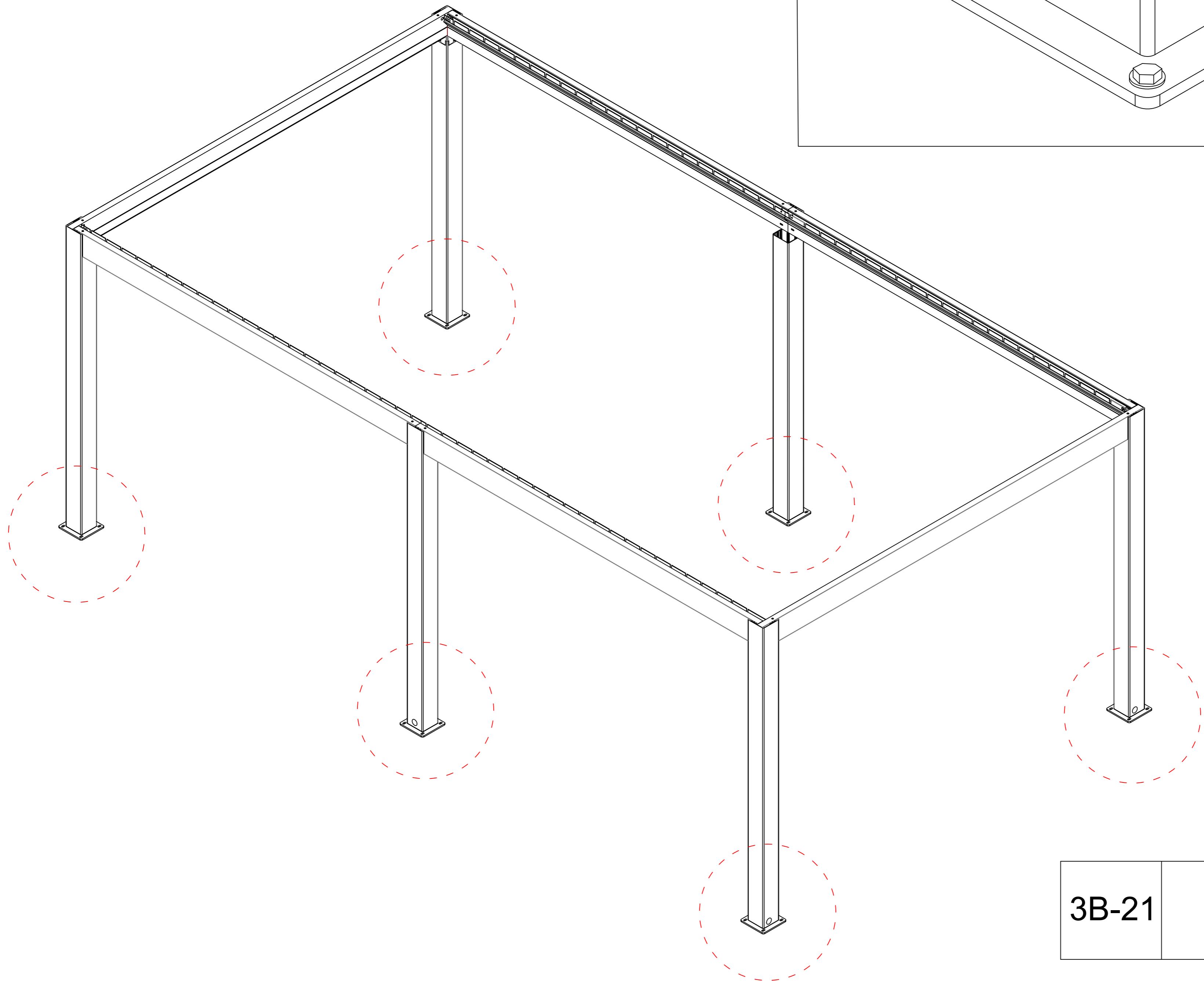
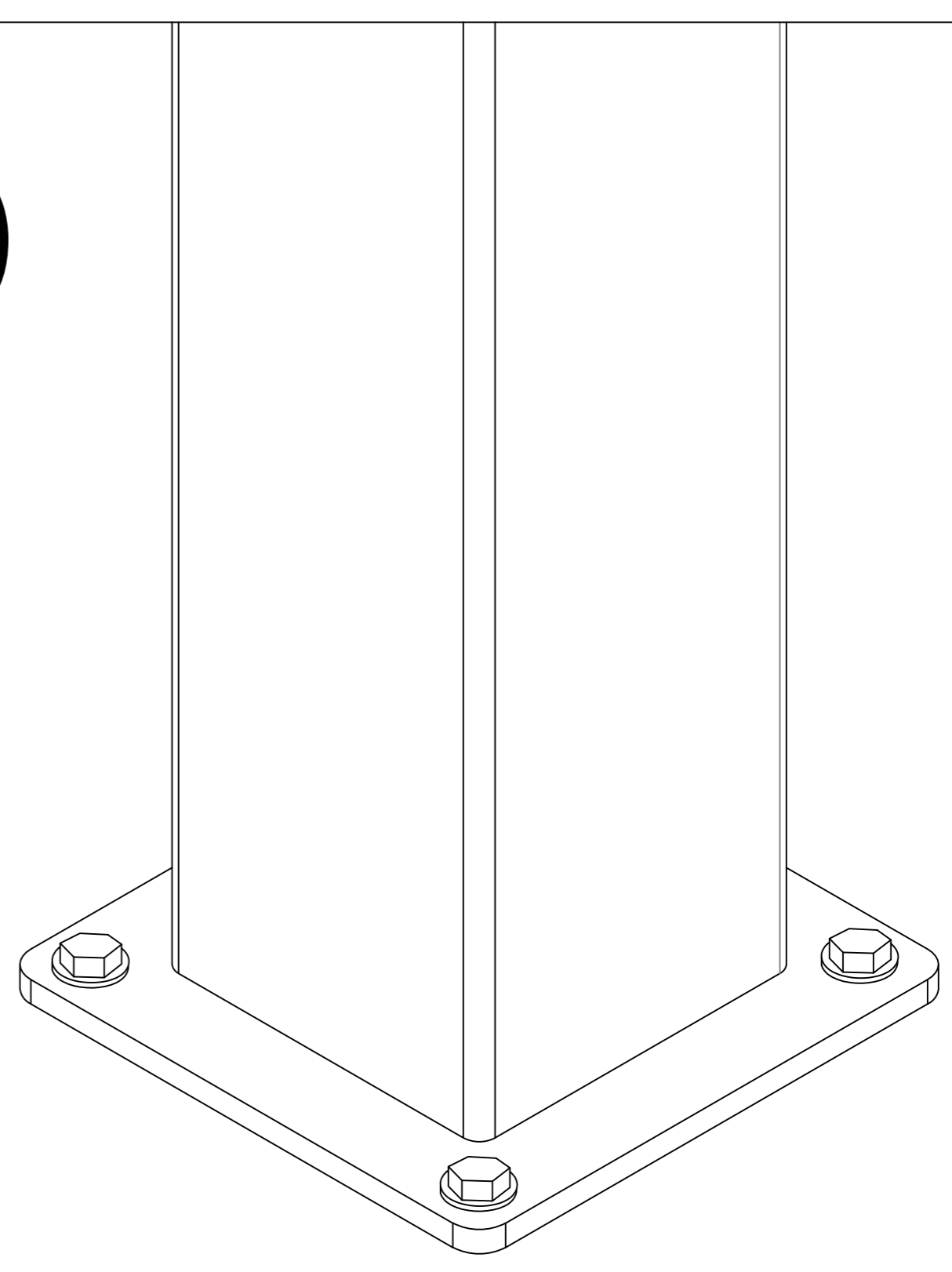


**a**

**3B-21**

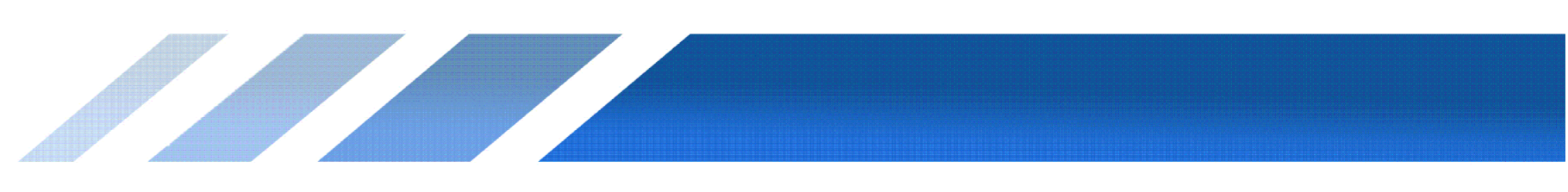


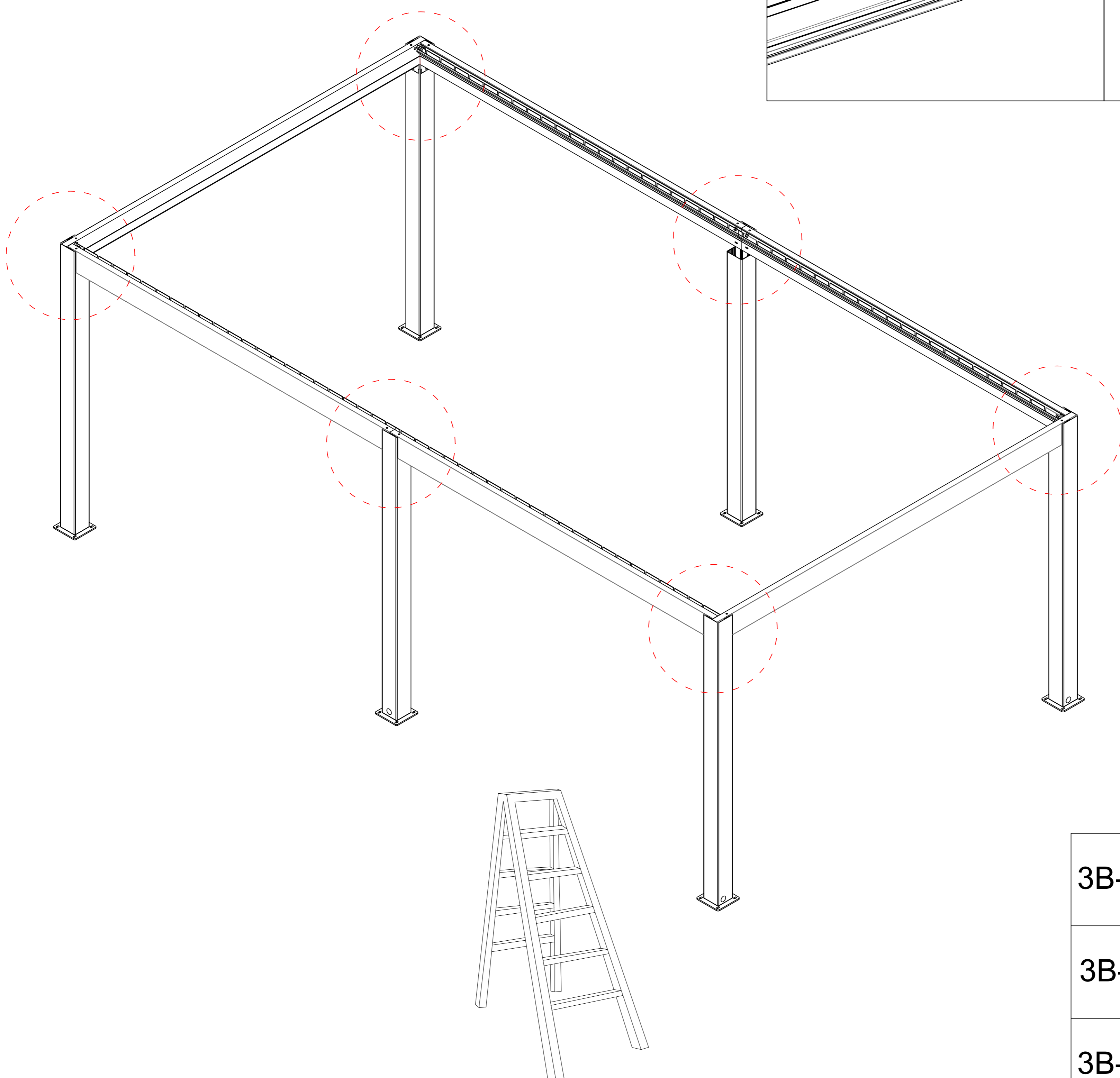
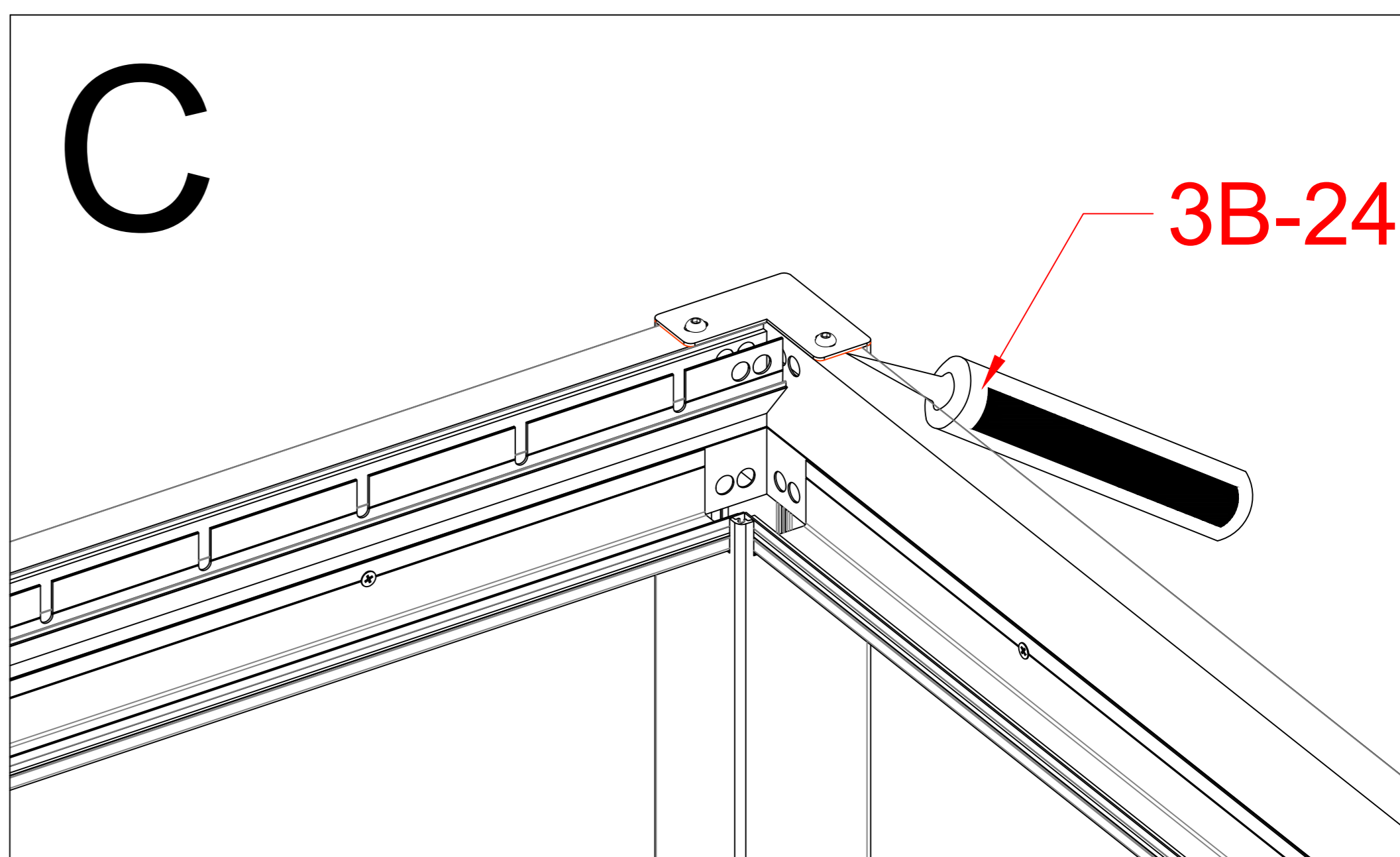
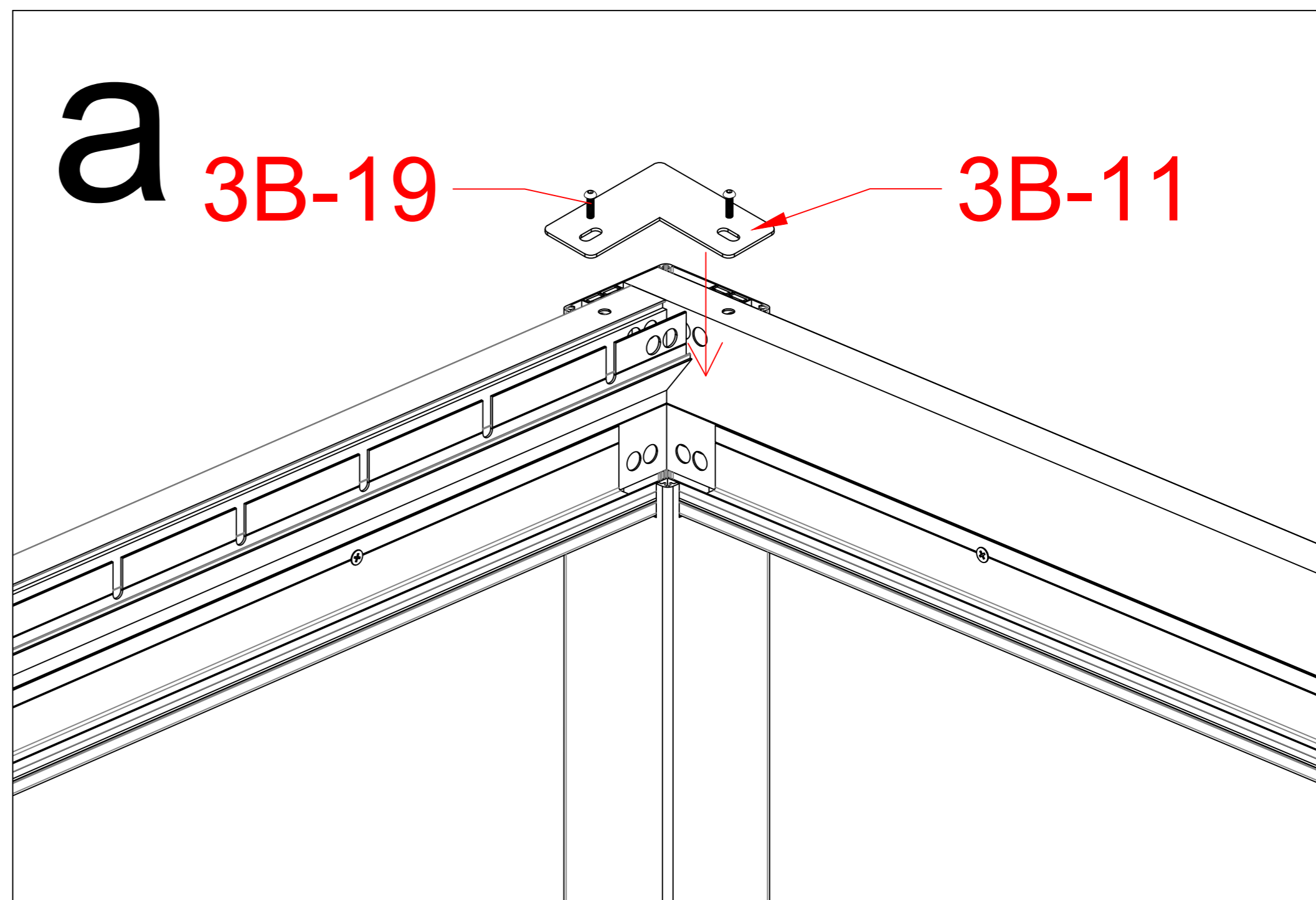
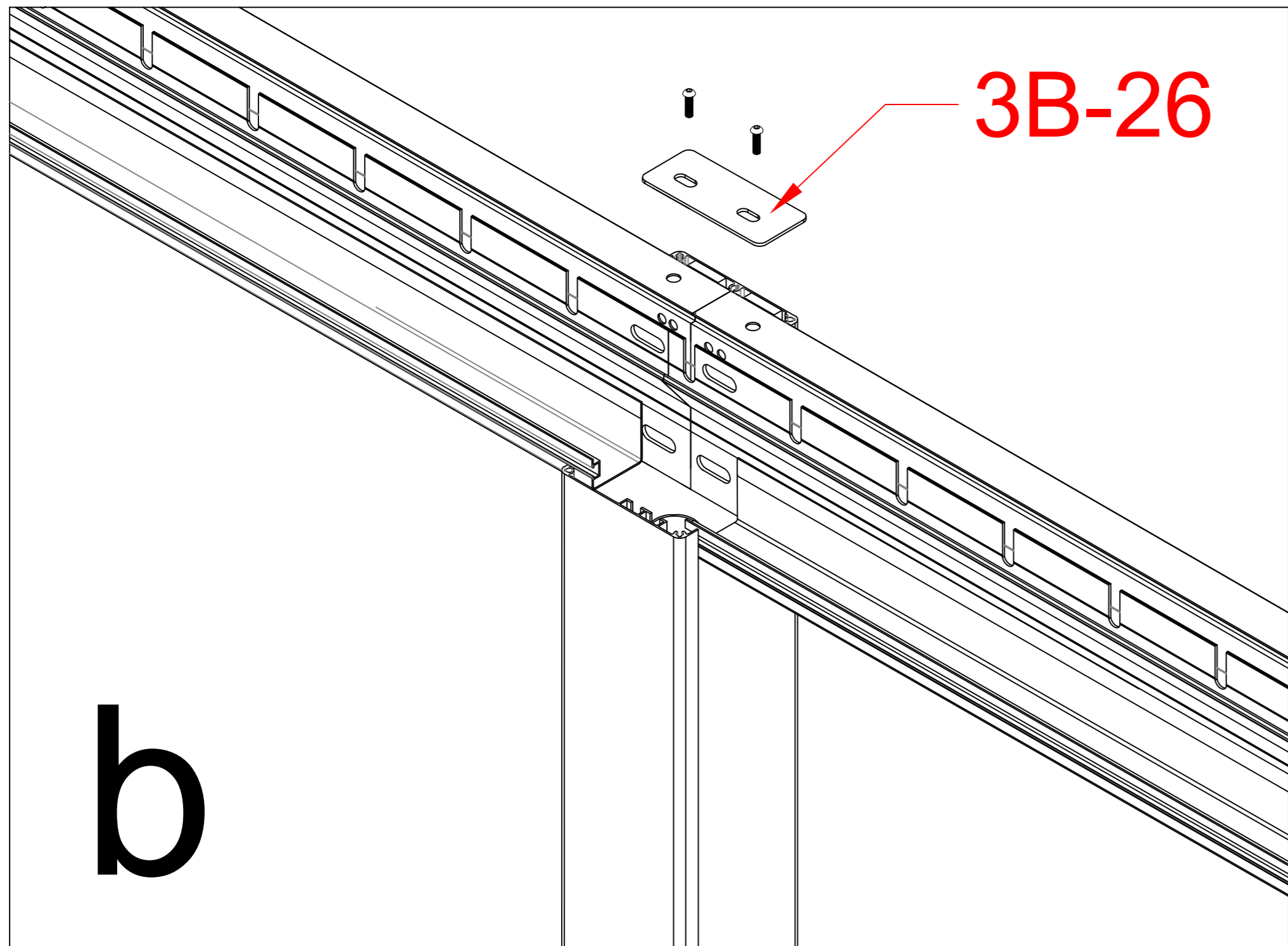
**b**



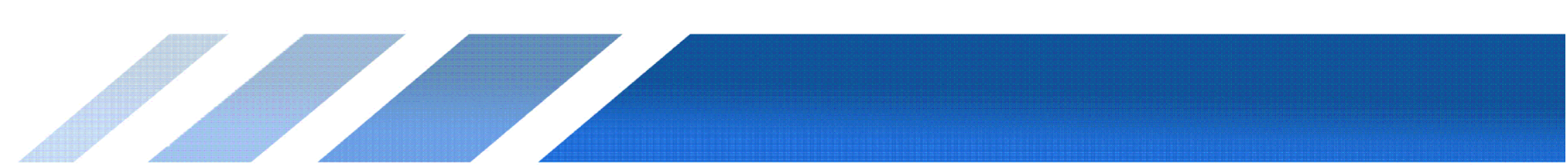
|       |  |    |
|-------|--|----|
| 3B-21 |  | 24 |
|-------|--|----|

6



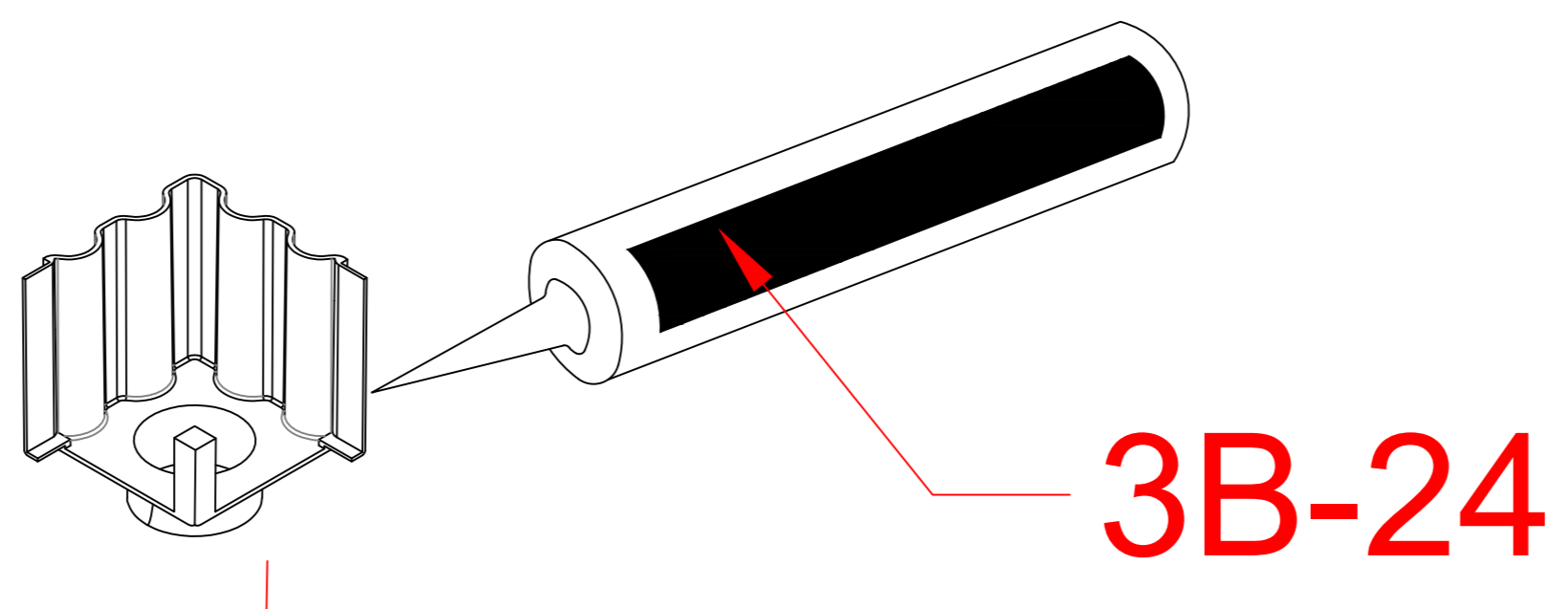


|       |  |    |
|-------|--|----|
| 3B-26 |  | 2  |
| 3B-11 |  | 4  |
| 3B-19 |  | 16 |

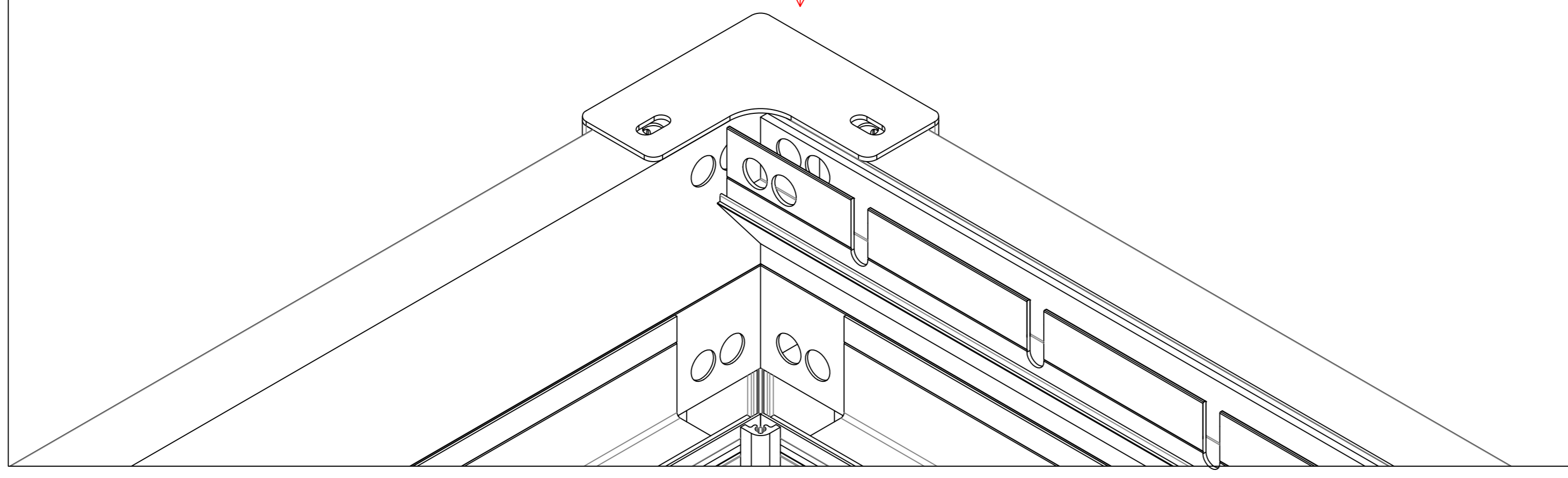




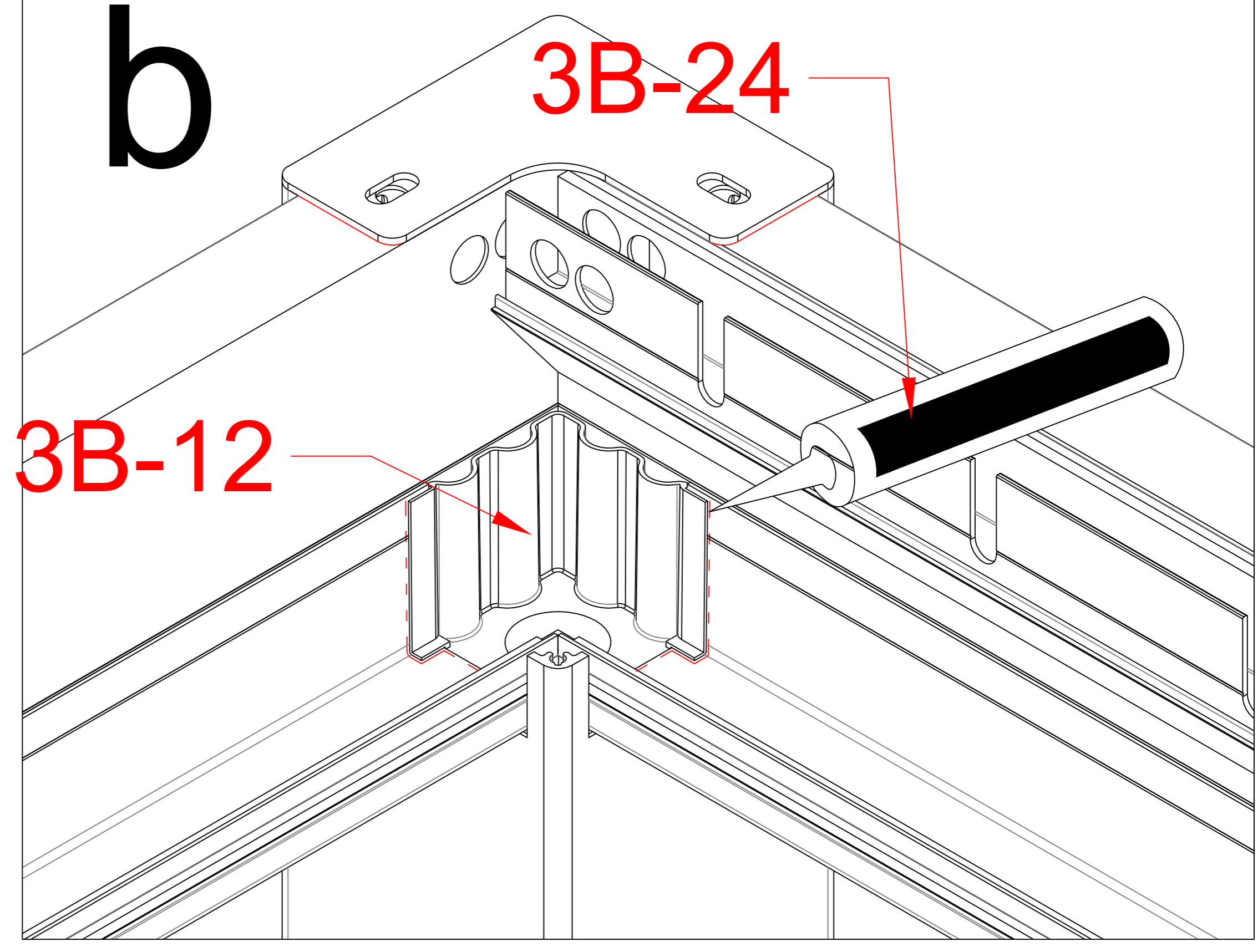
a



3B-24

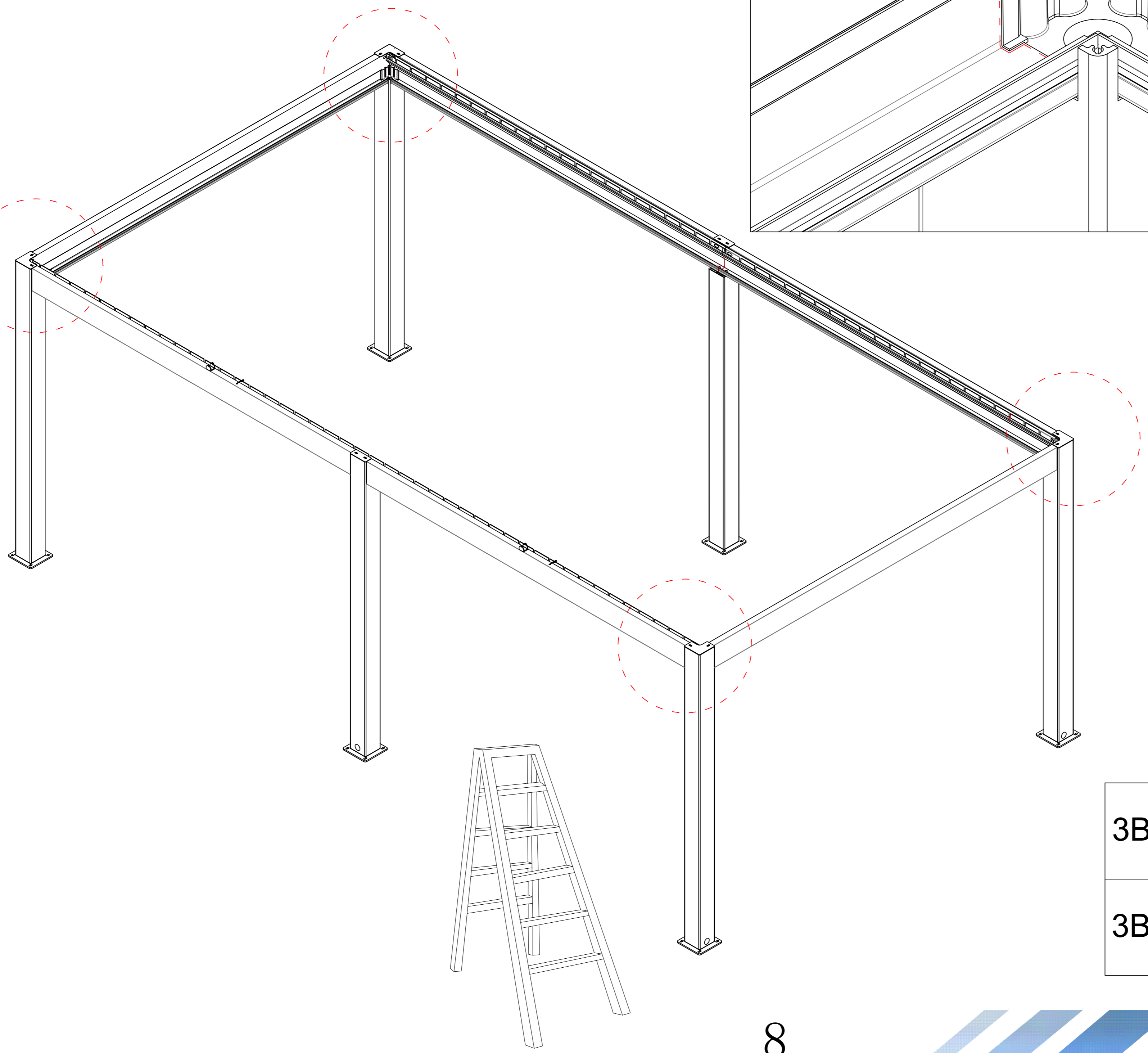


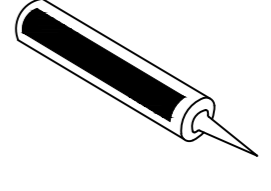
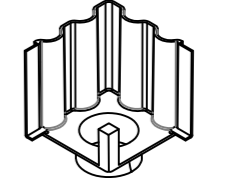
b

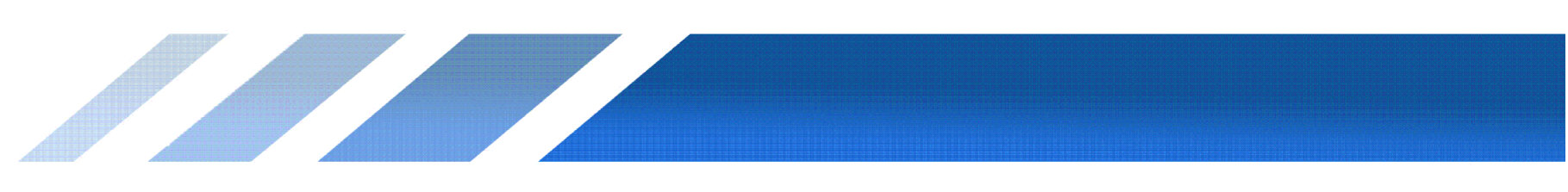


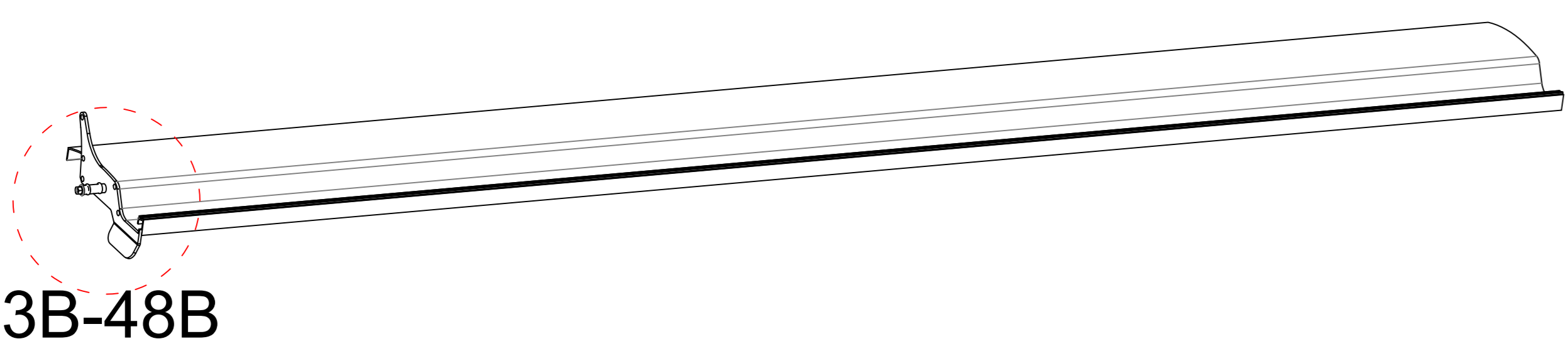
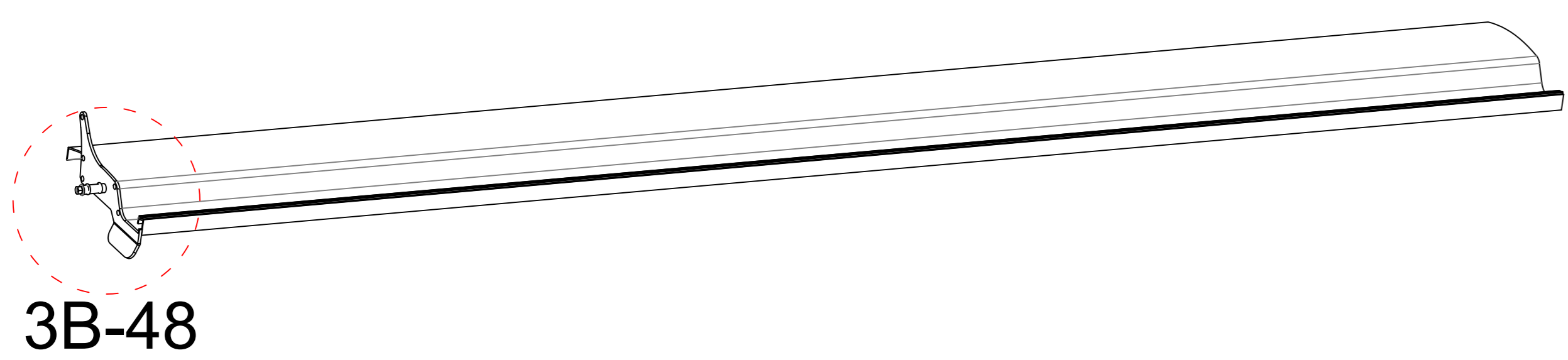
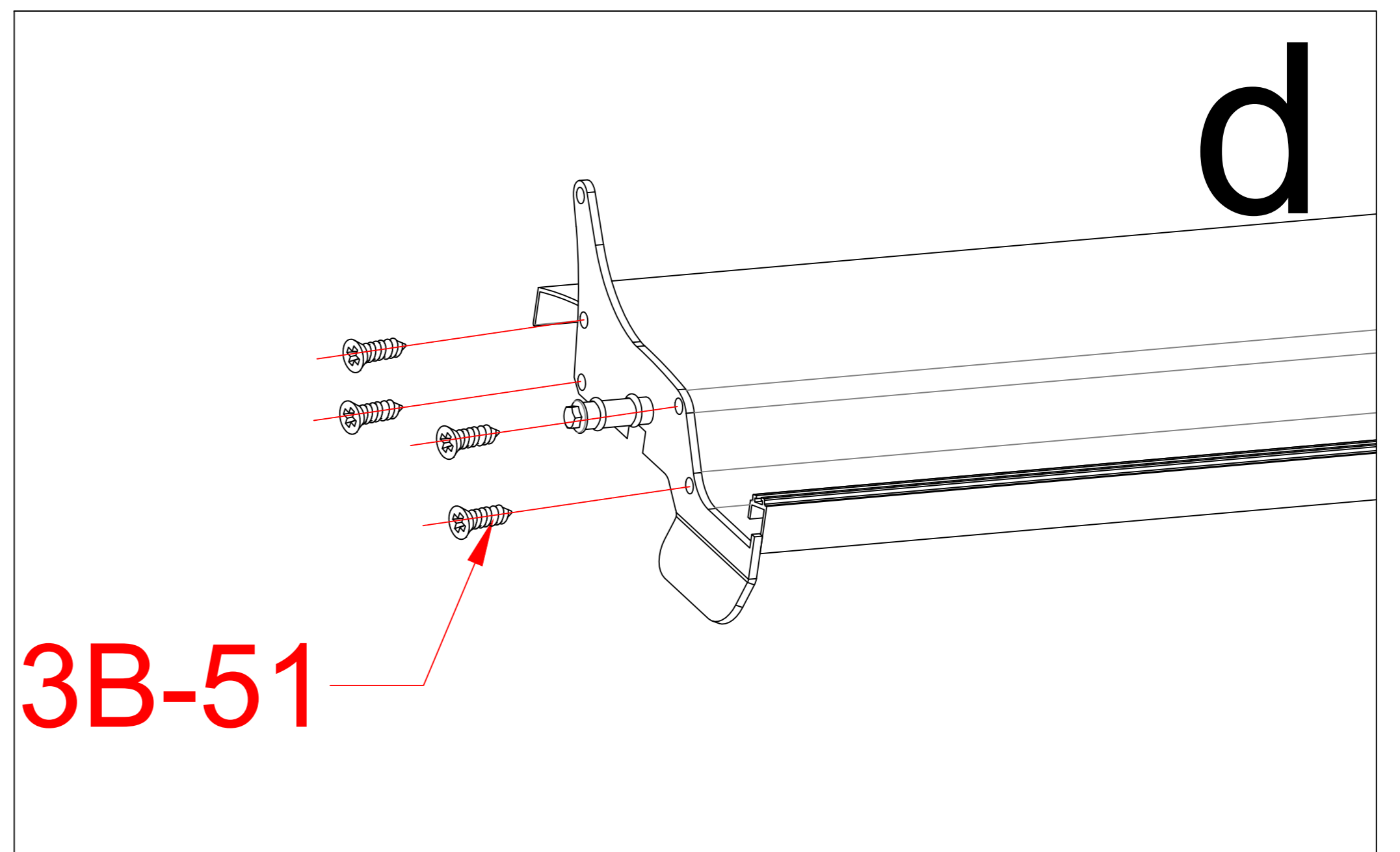
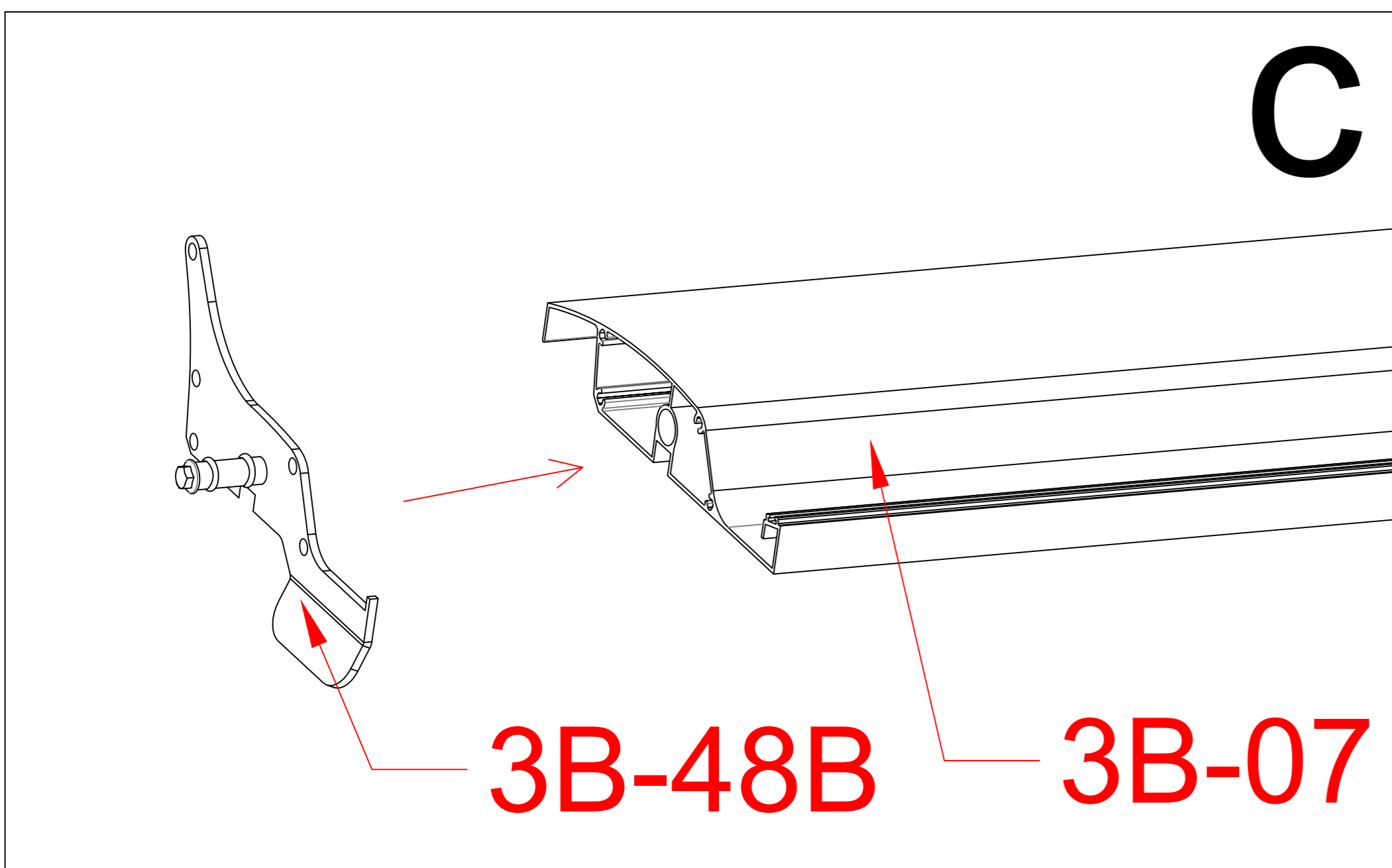
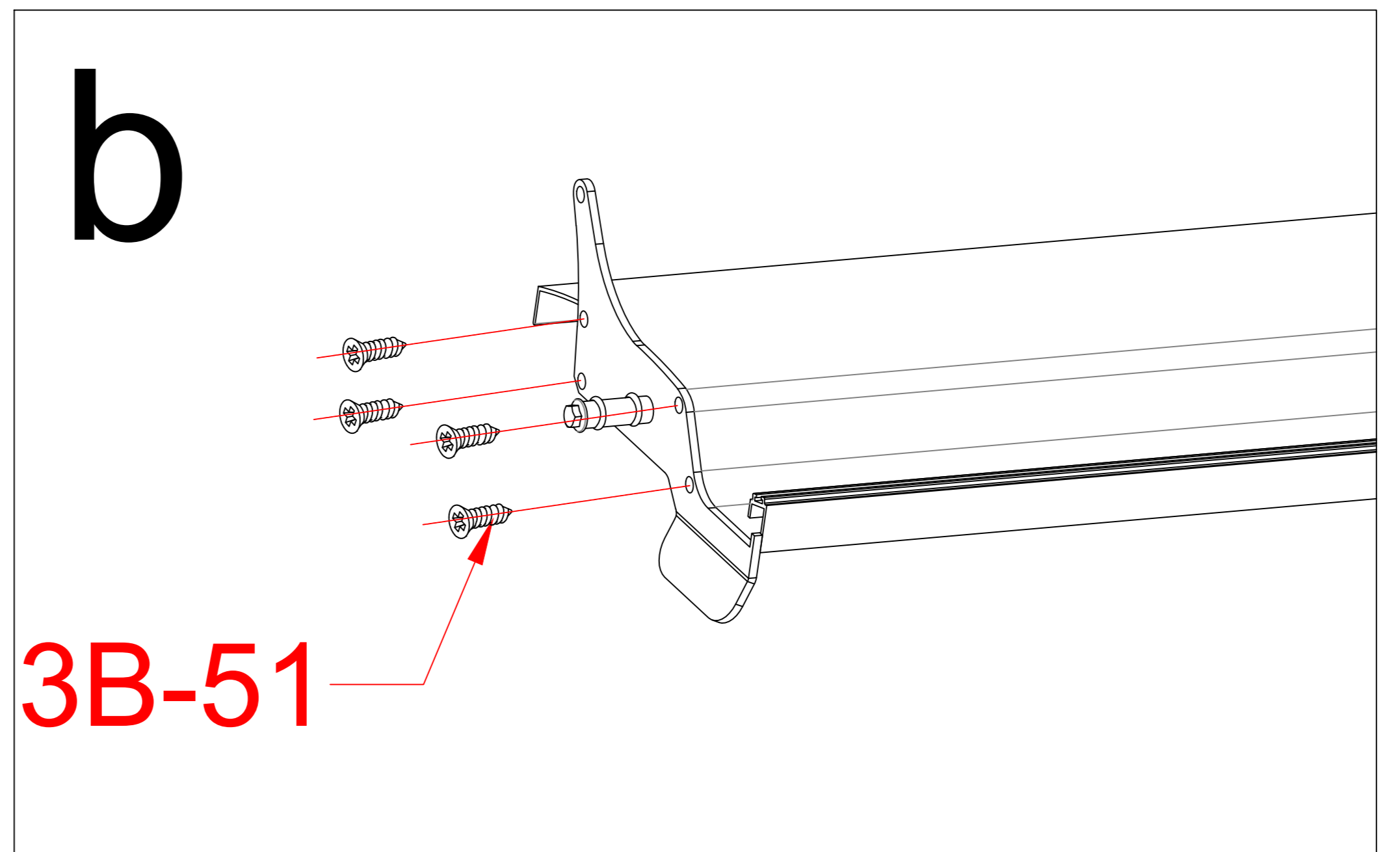
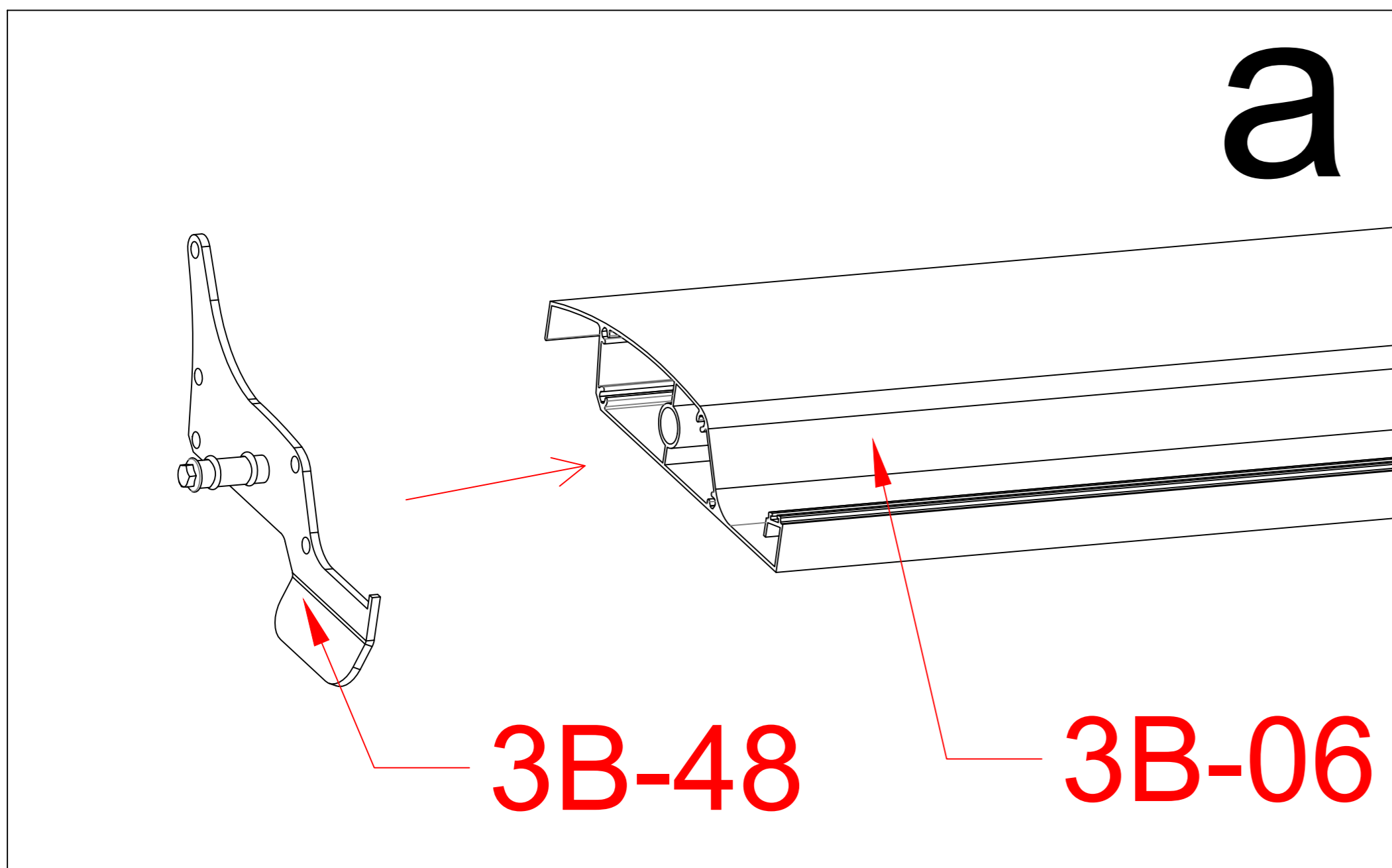
3B-24

3B-12

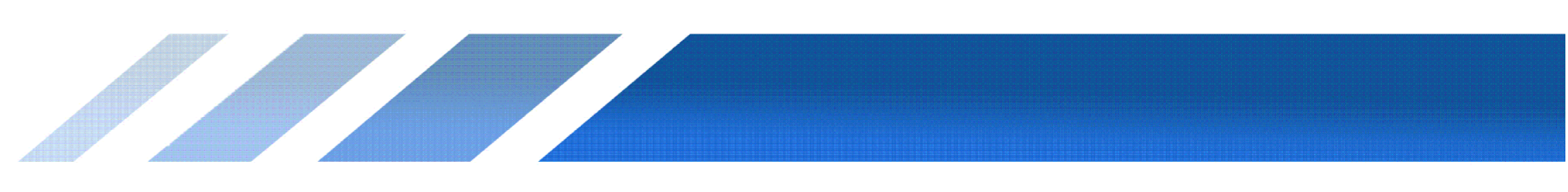


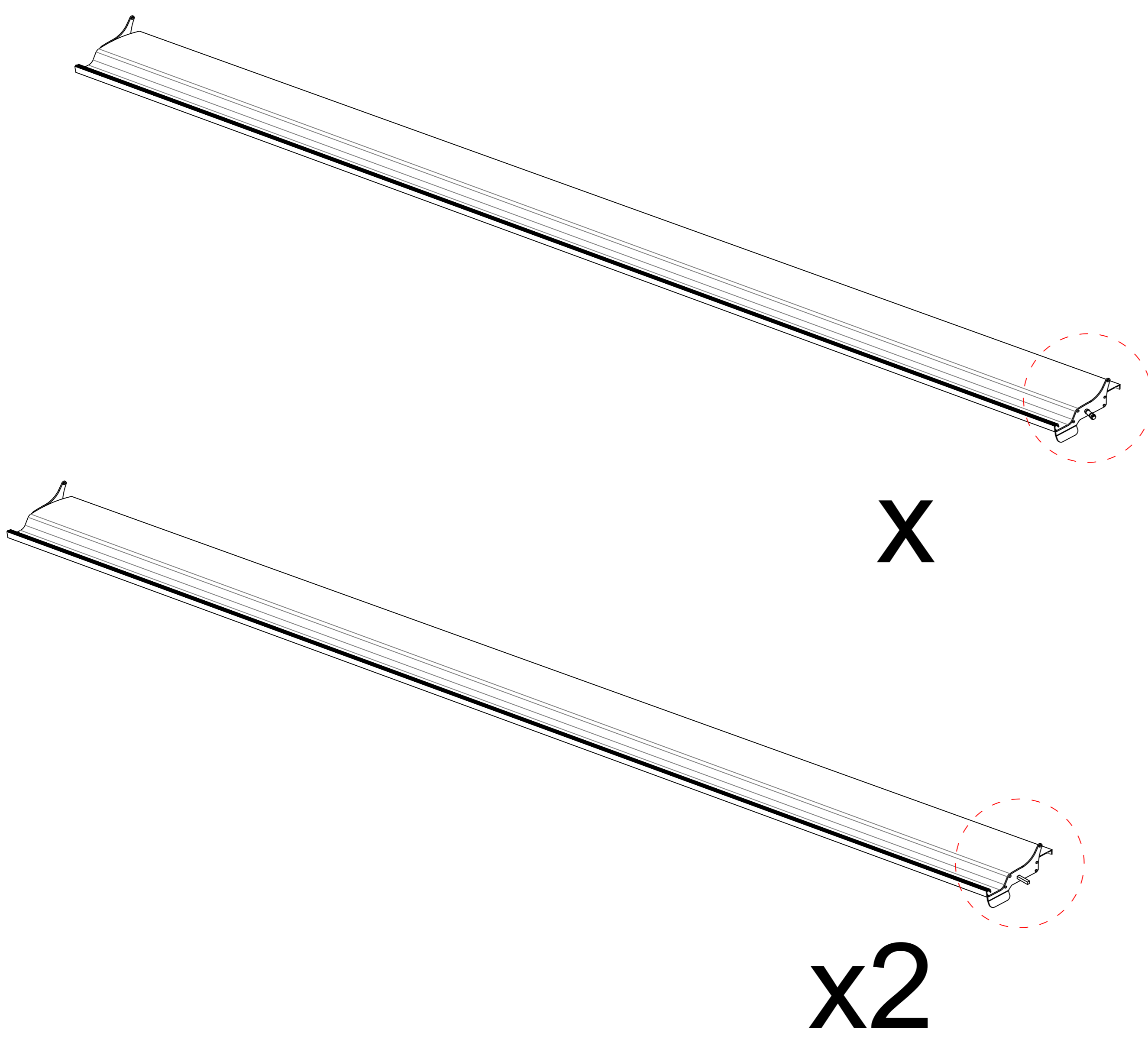
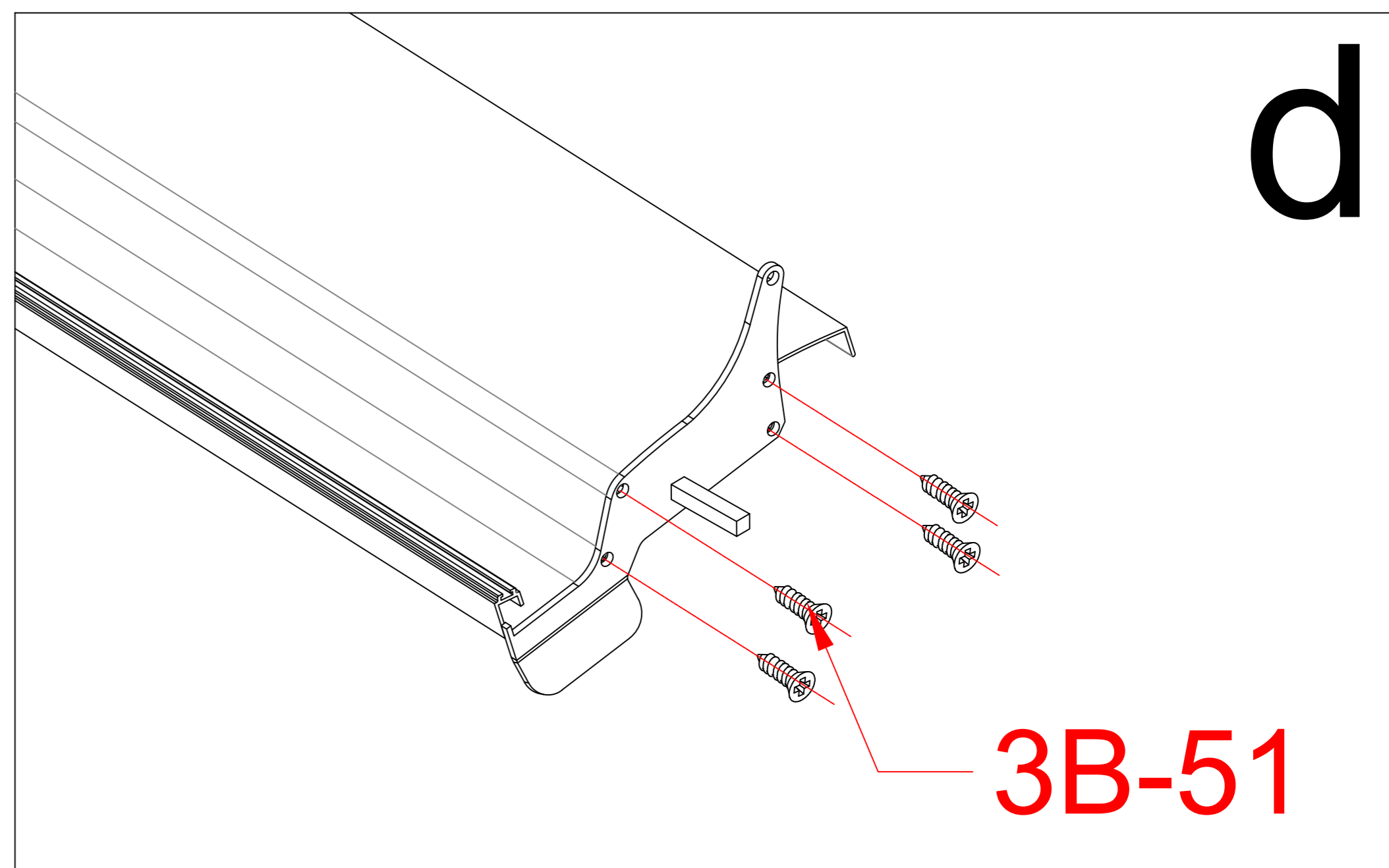
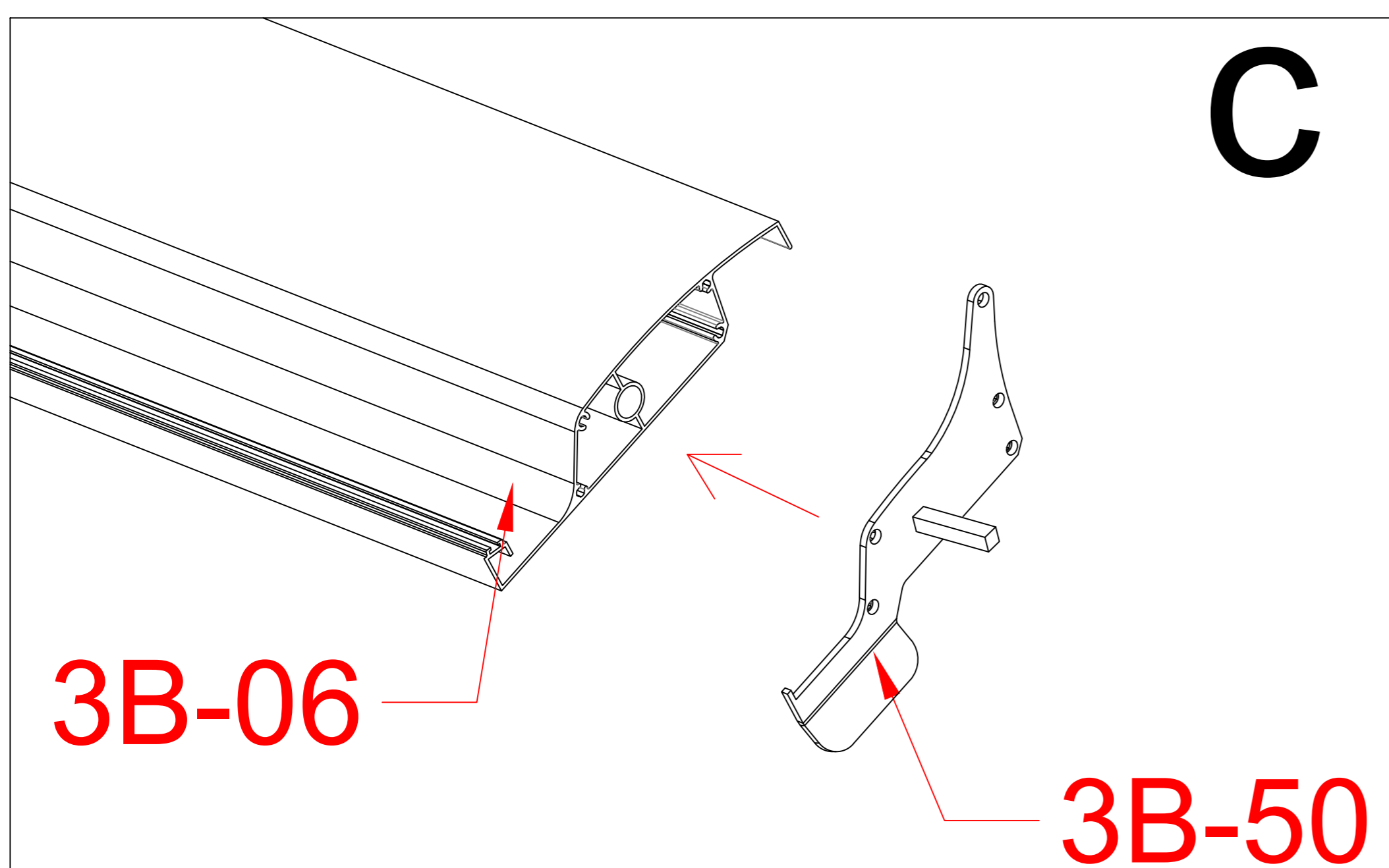
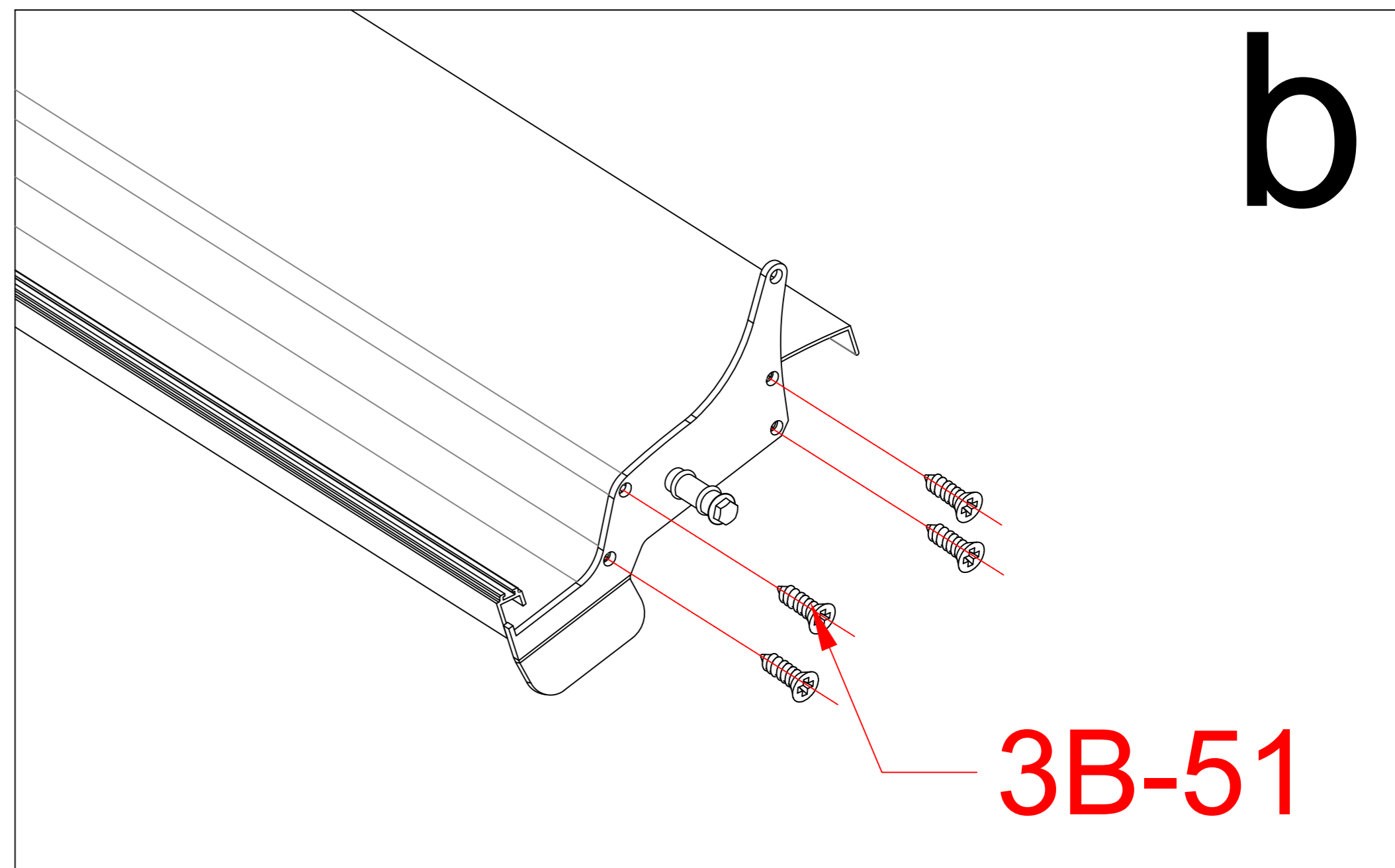
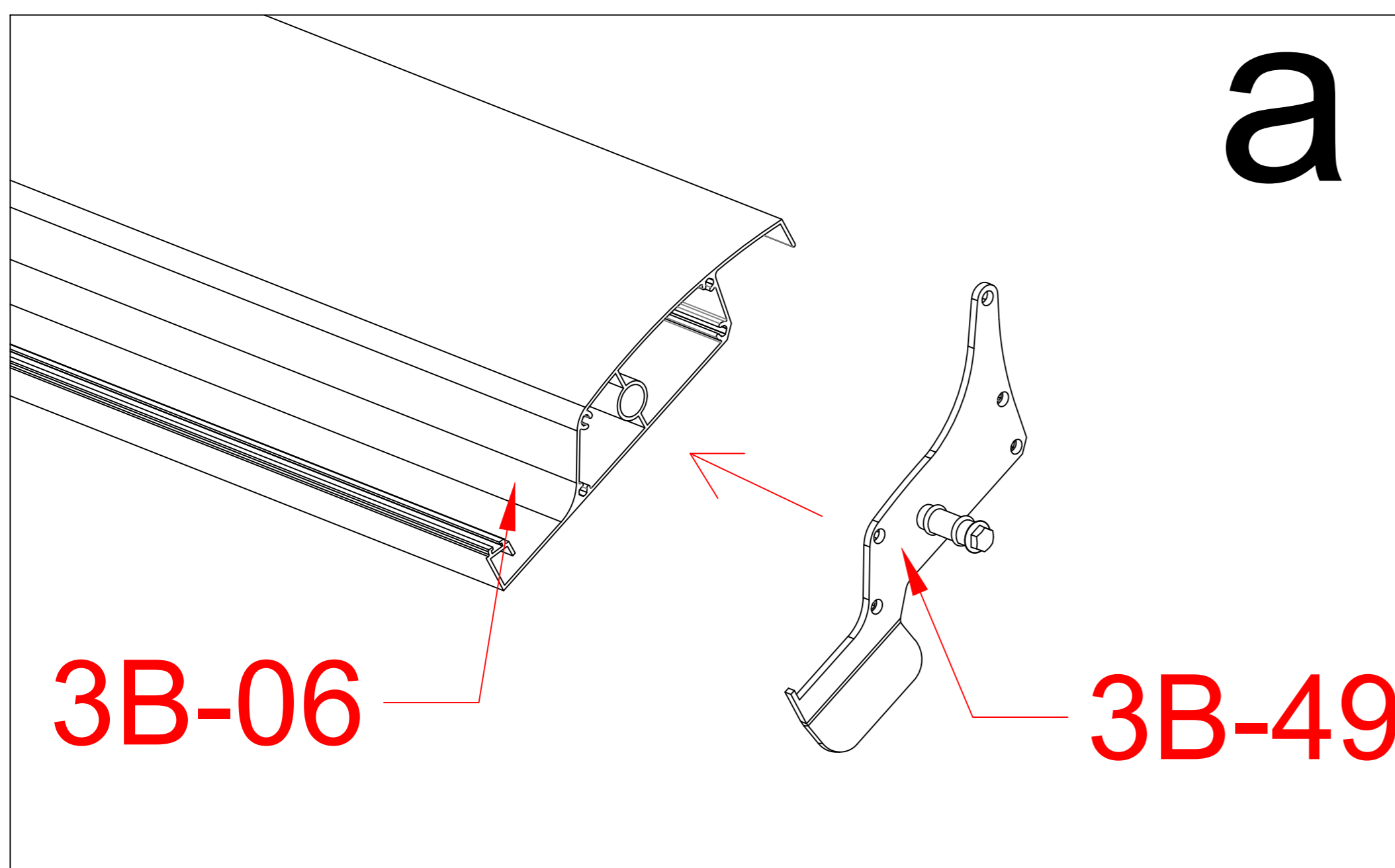
|       |   |   |
|-------|---|---|
| 3B-24 |  | 1 |
| 3B-12 |  | 4 |



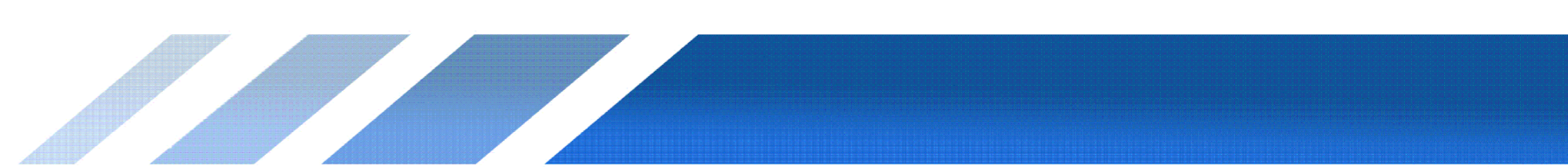


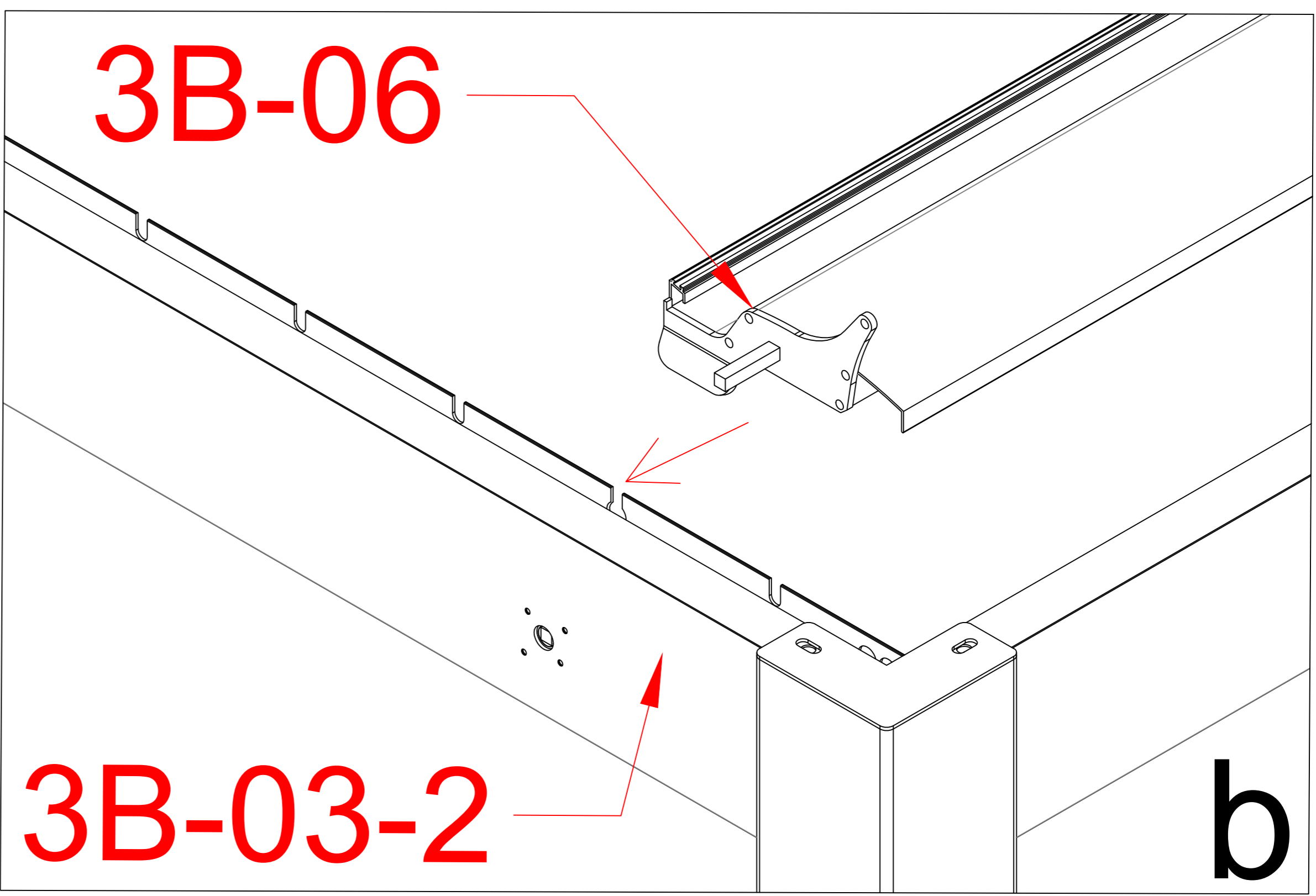
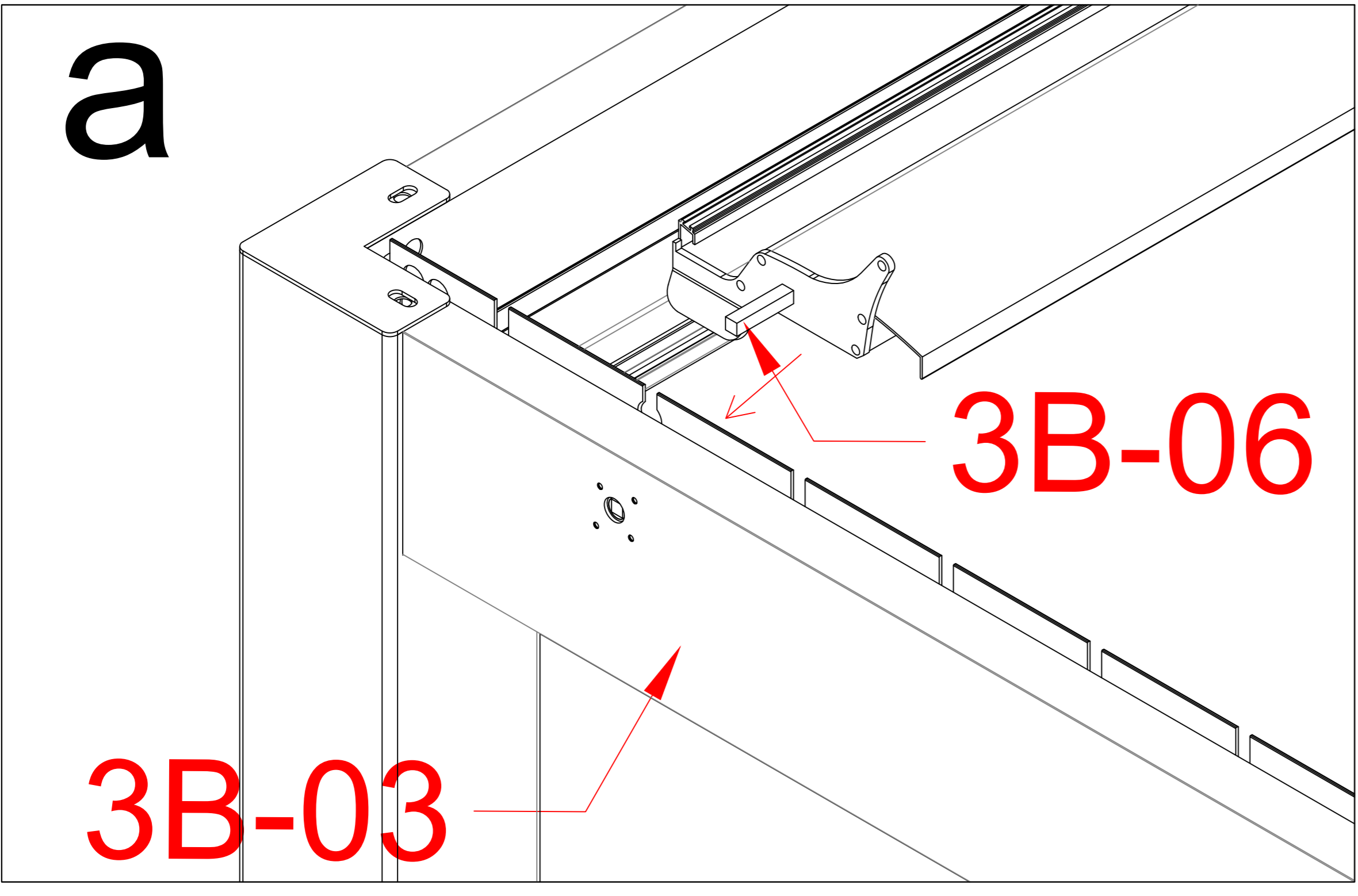
|        |  |
|--------|--|
| 3B-51  |  |
| 3B-06  |  |
| 3B-48  |  |
| 3B-07  |  |
| 3B-48B |  |



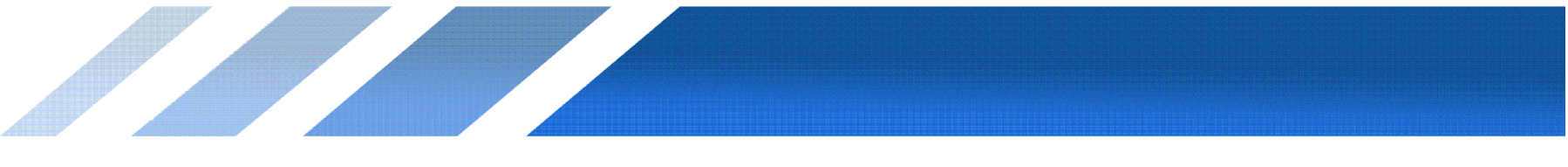


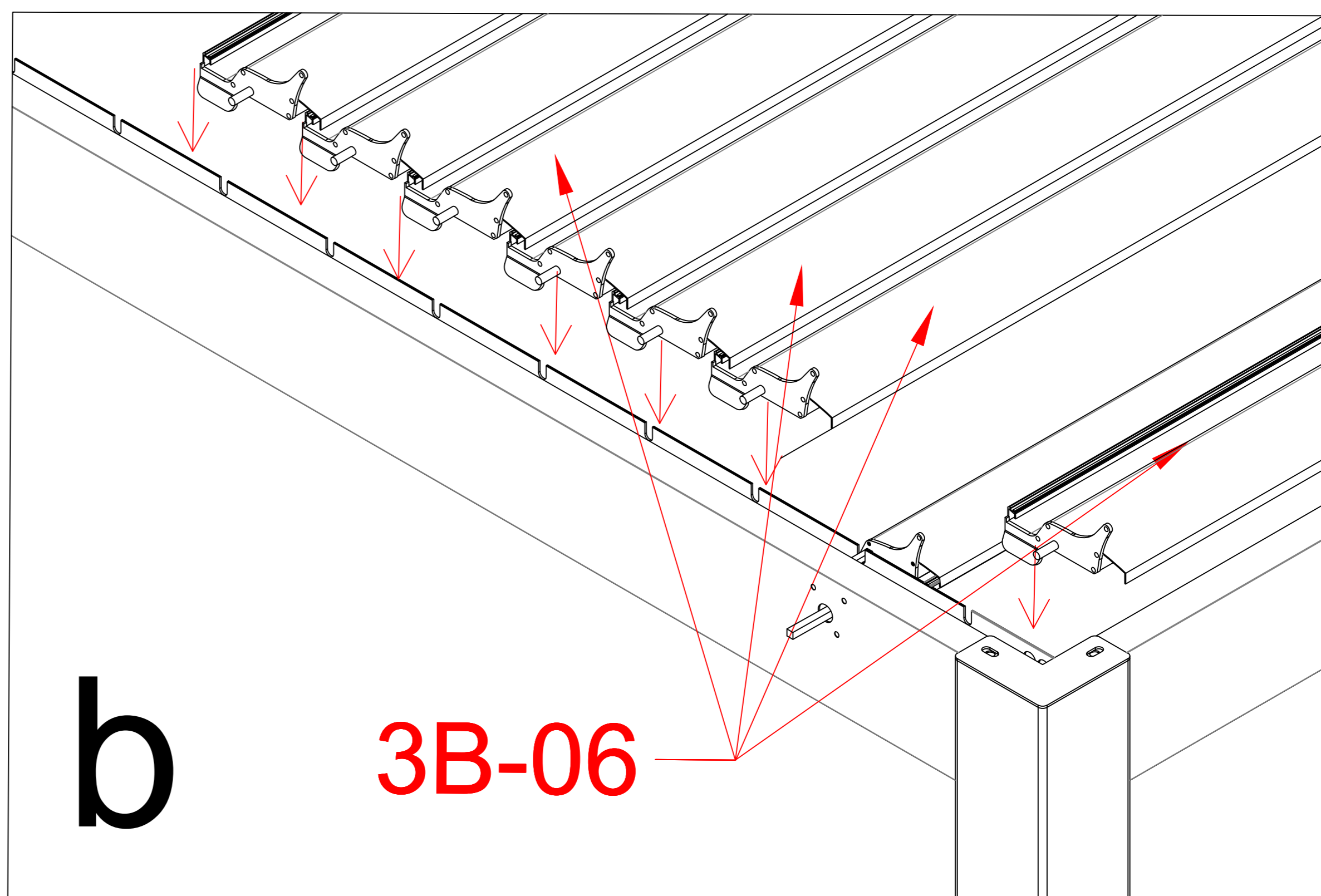
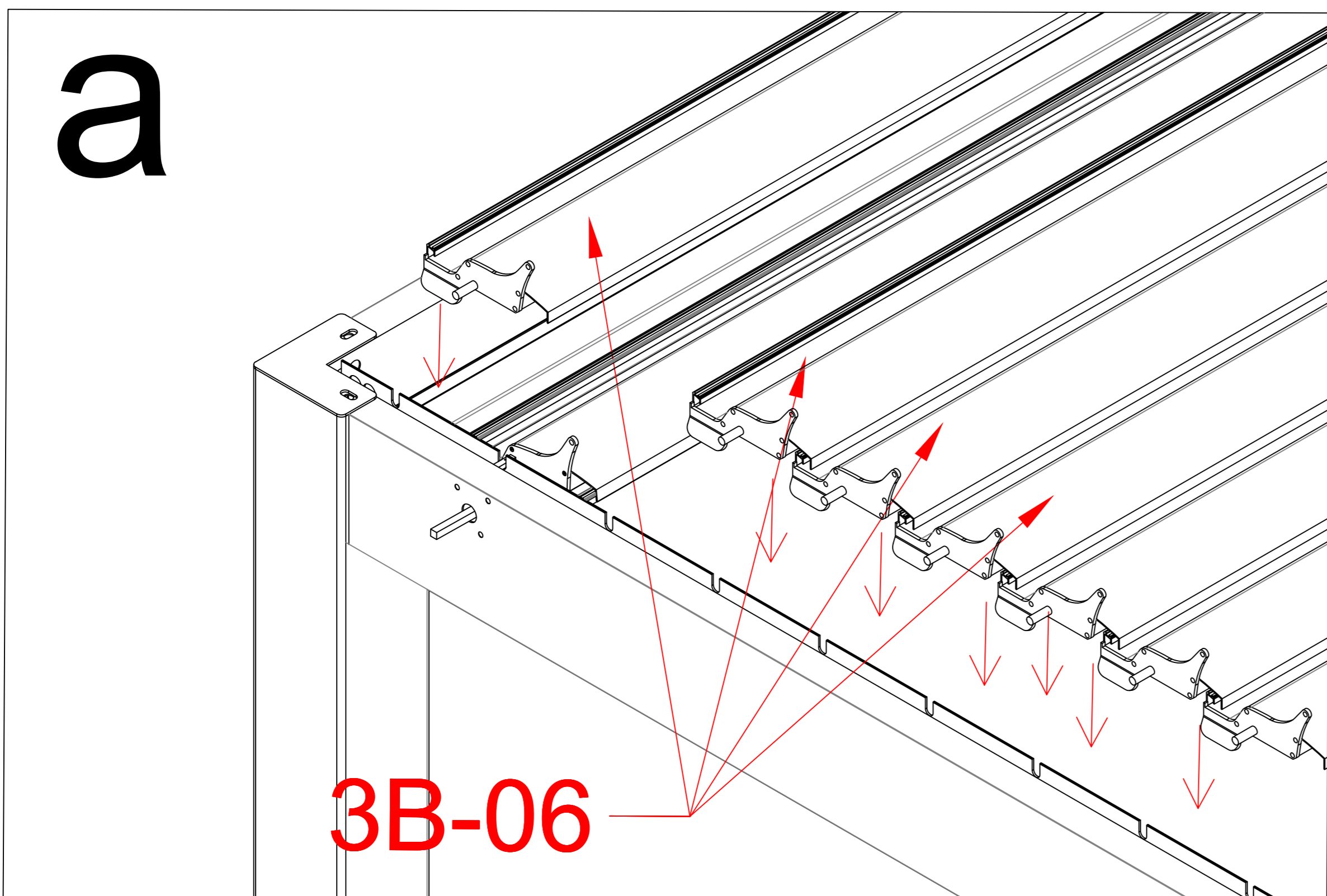
|       |  |   |
|-------|--|---|
| 3B-49 |  | x |
| 3B-50 |  | 2 |
| 3B-51 |  | x |



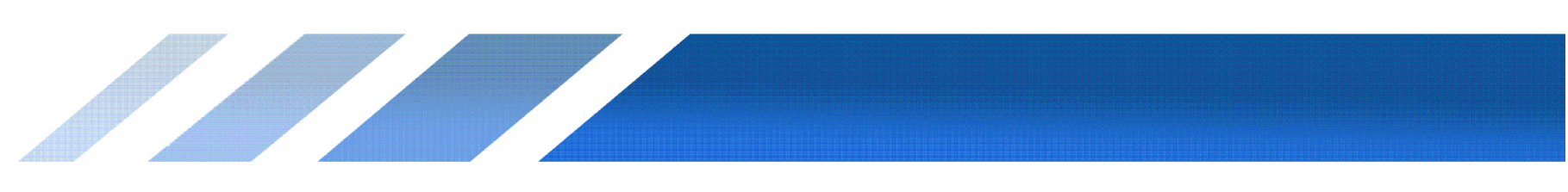


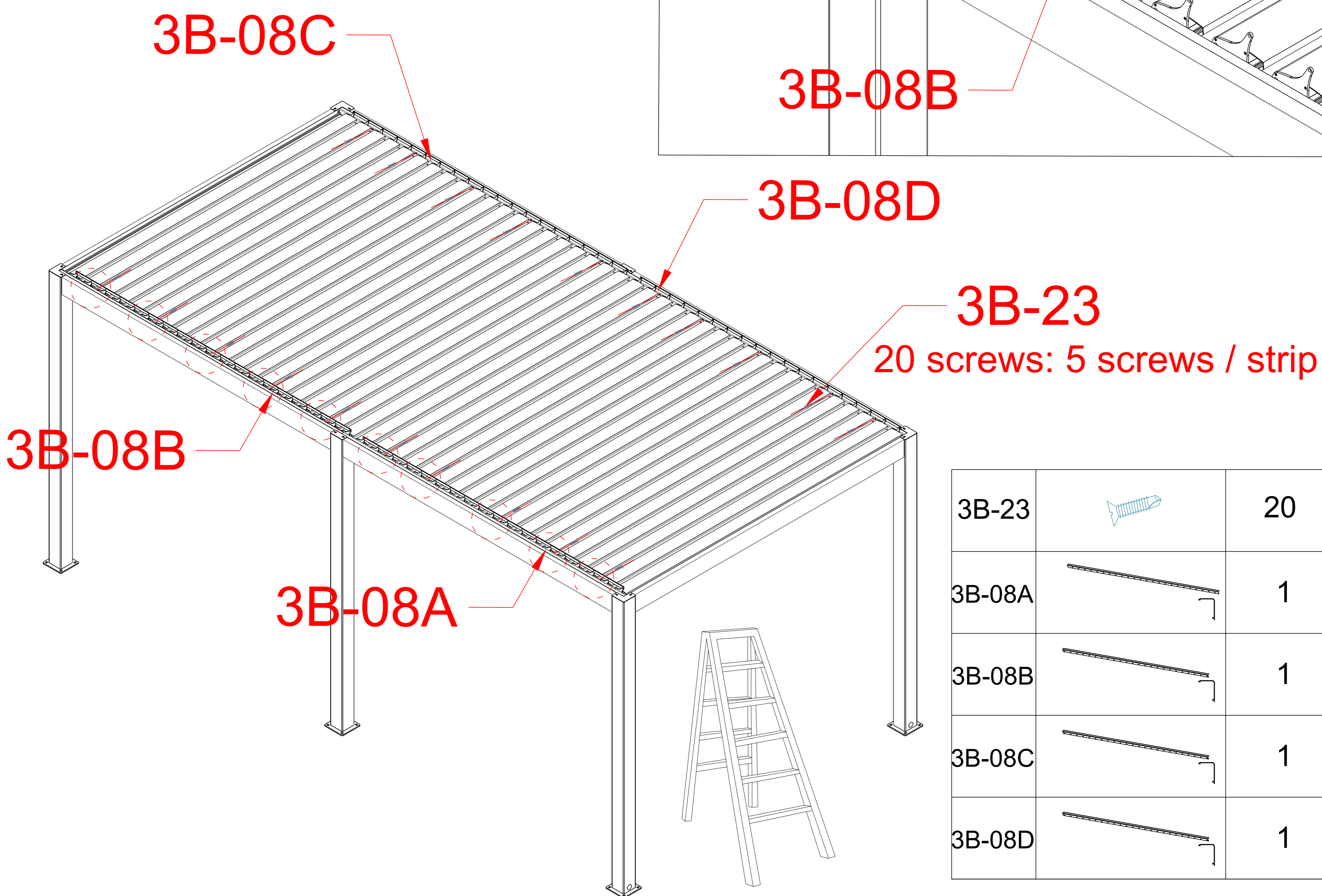
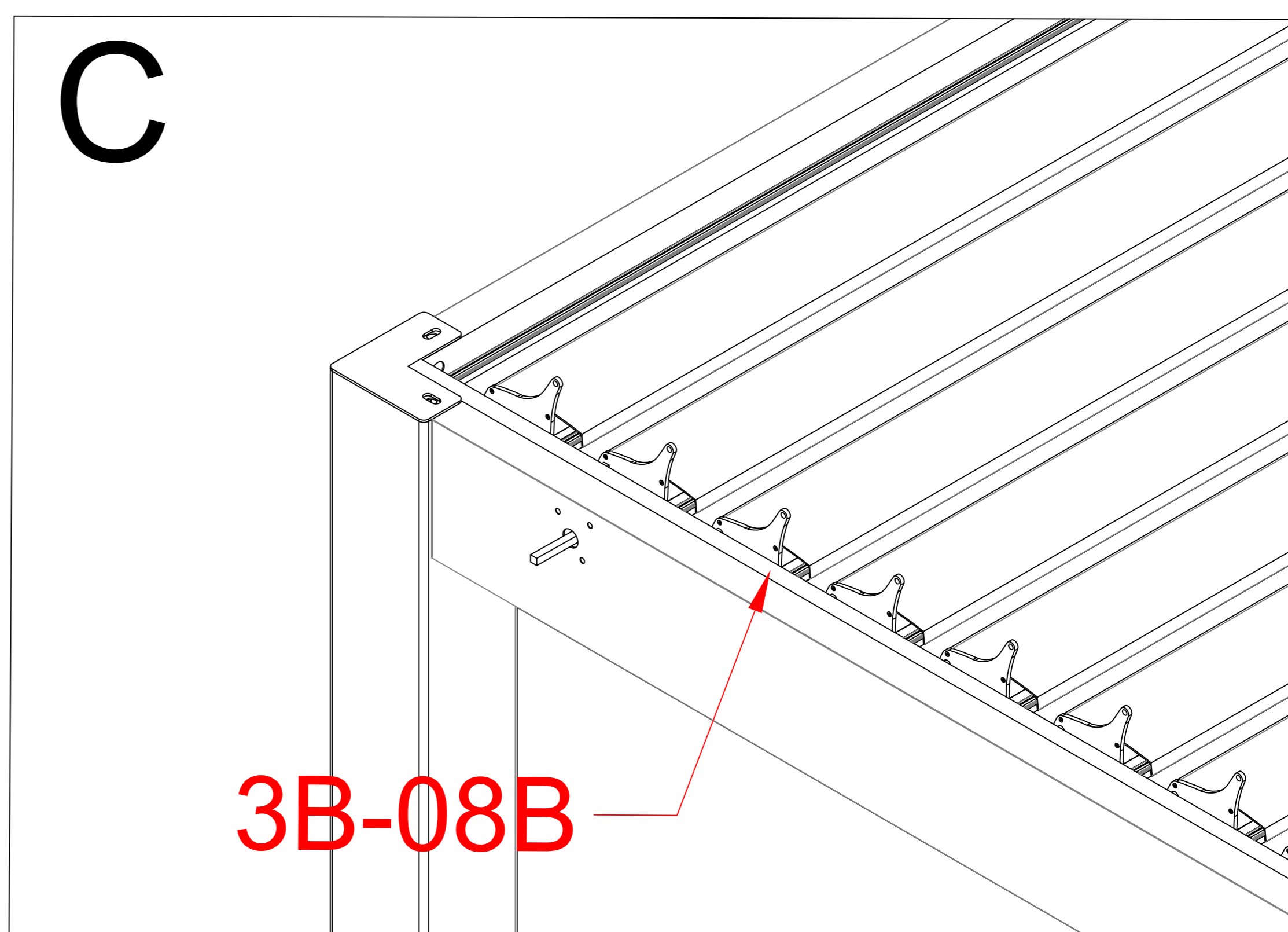
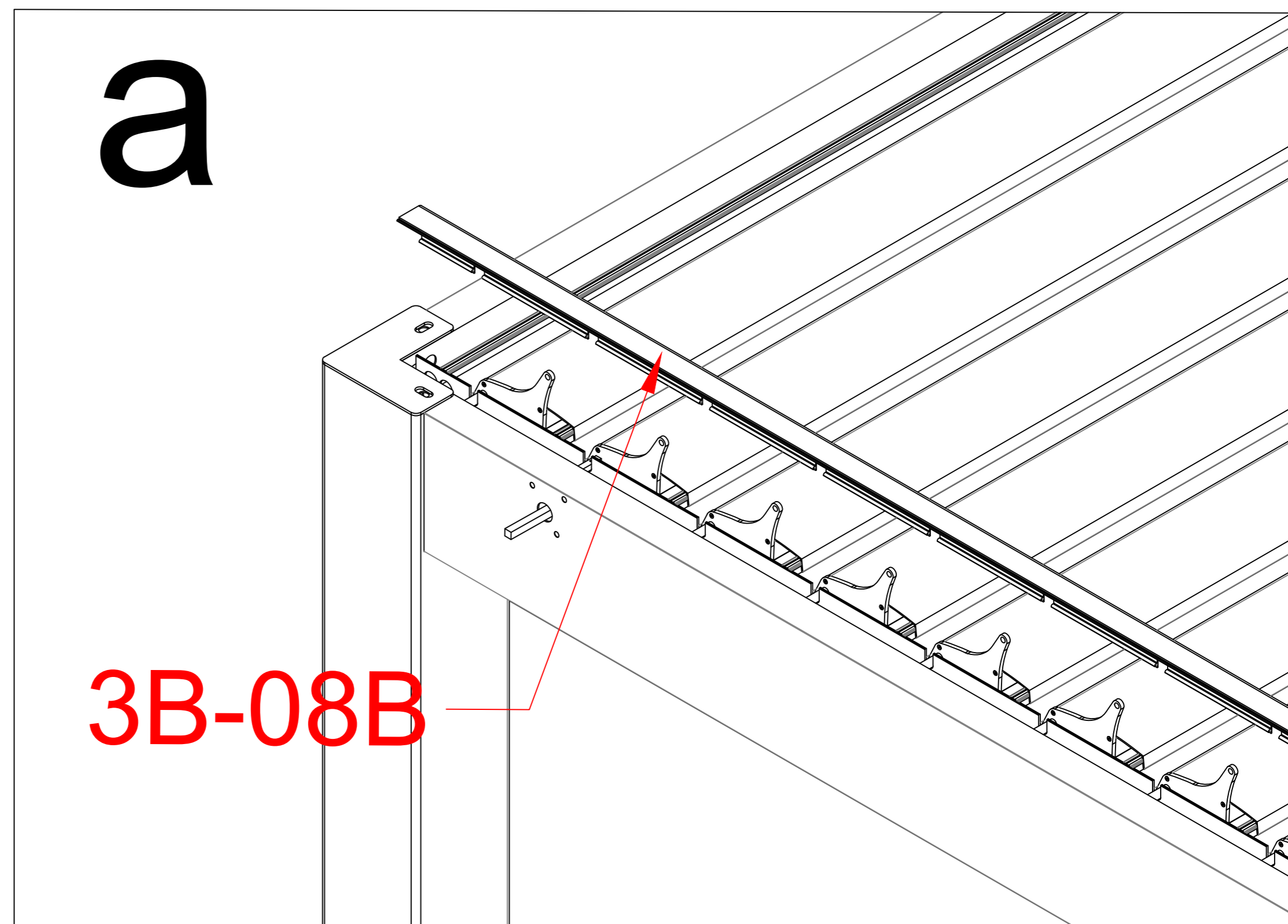
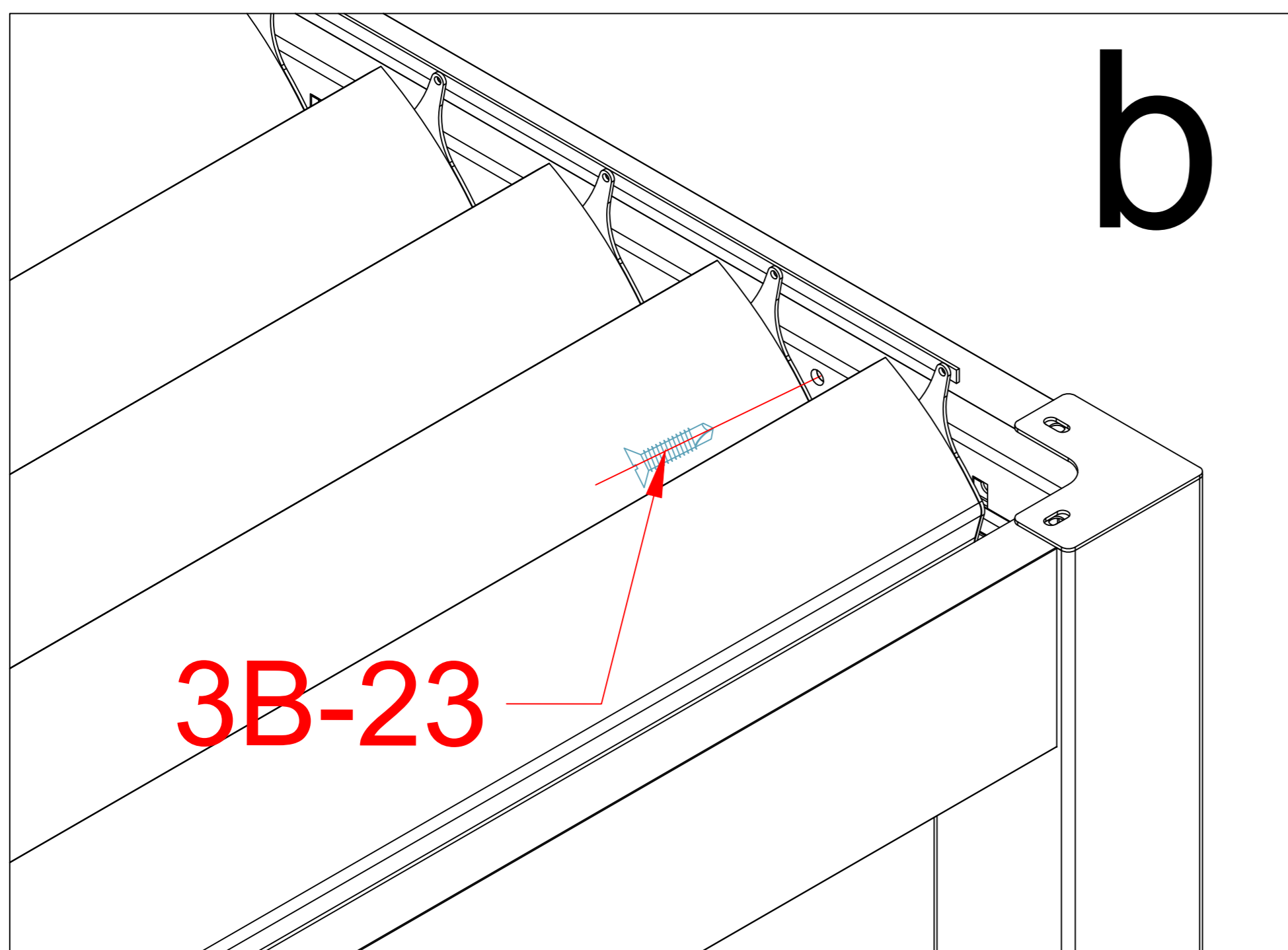
|       |  |   |
|-------|--|---|
| 3B-06 |  | 2 |
|-------|--|---|

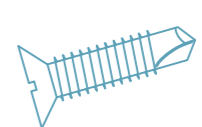
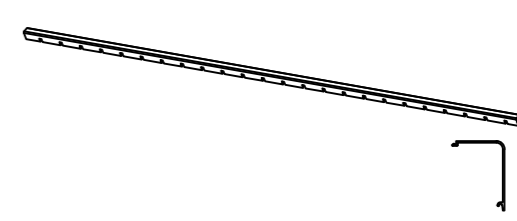
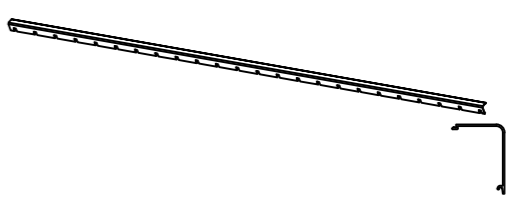
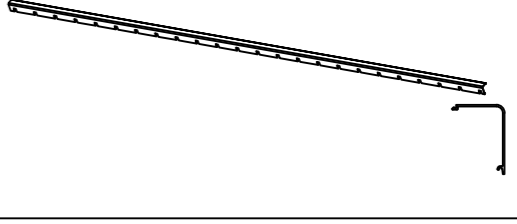
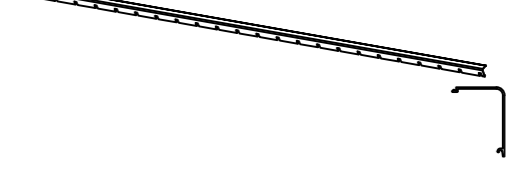


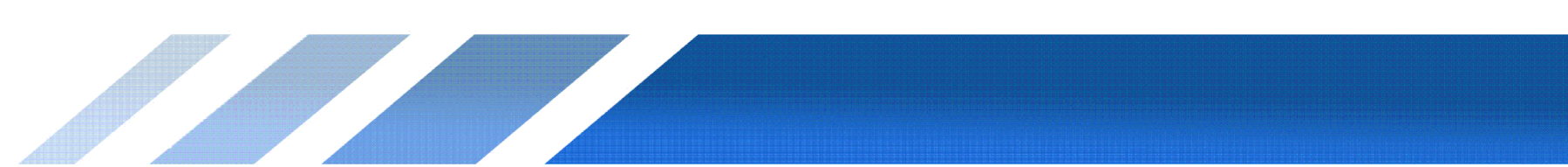


|       |  |   |
|-------|--|---|
| 3B-06 |  | X |
|-------|--|---|

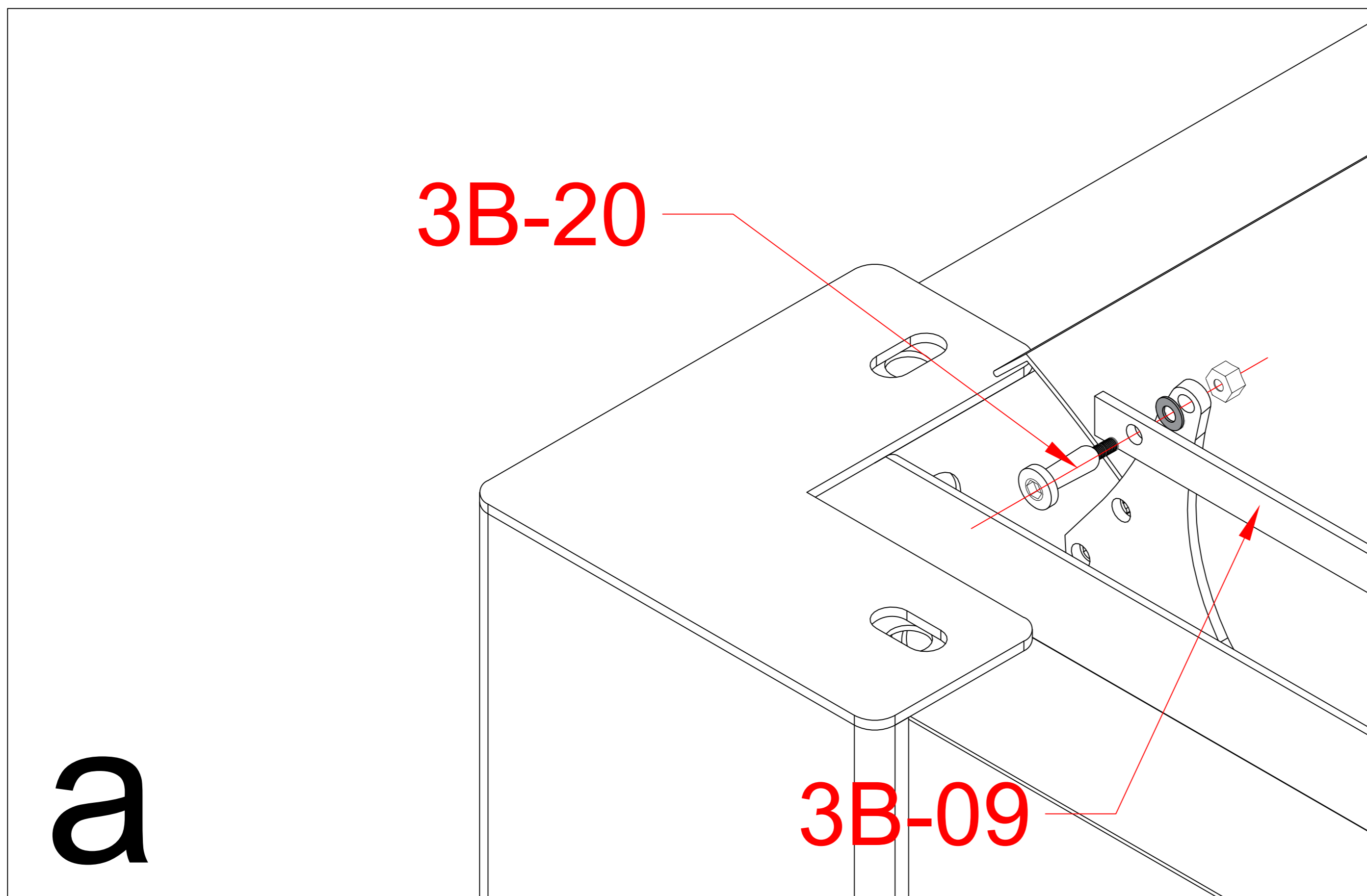




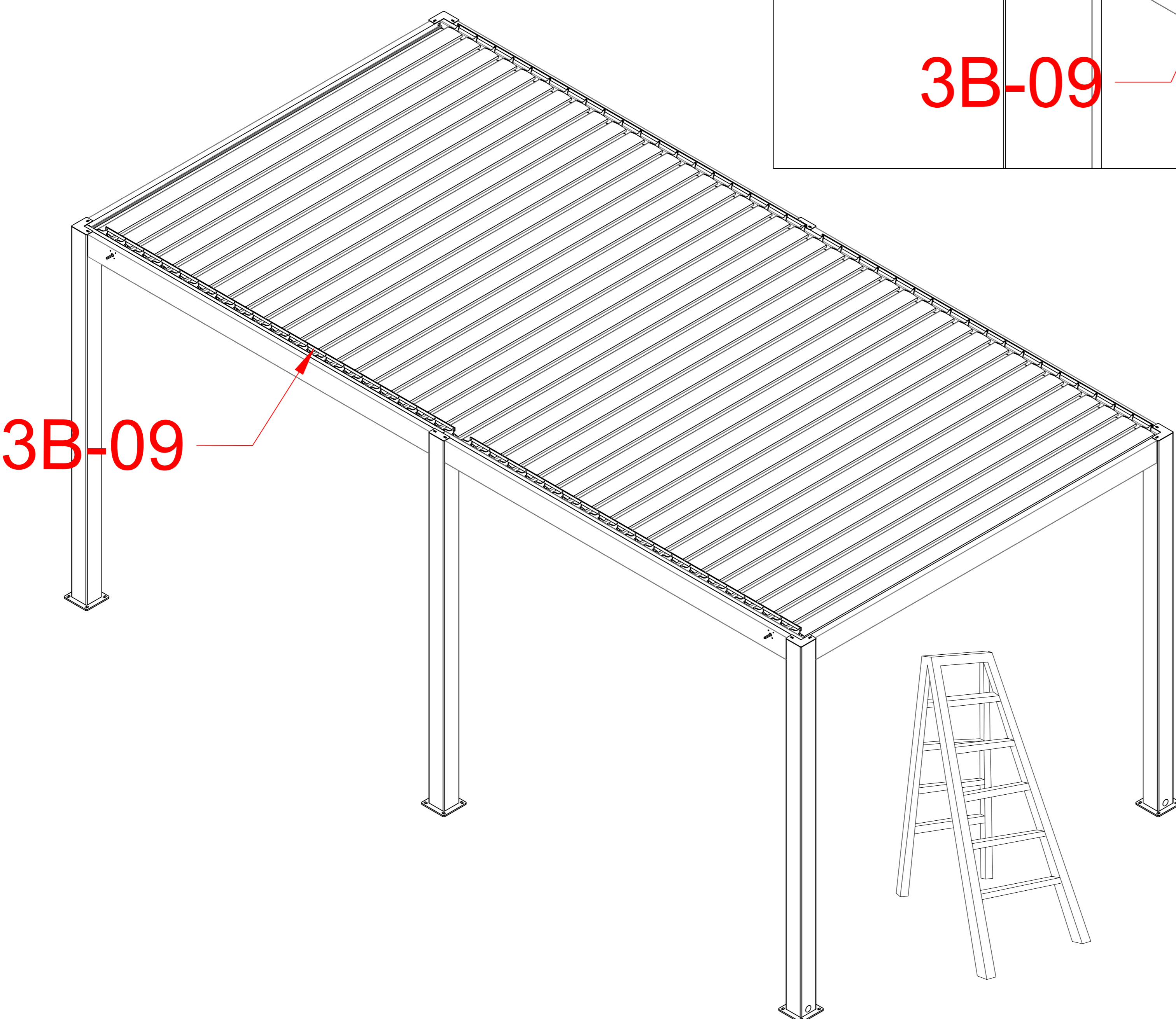
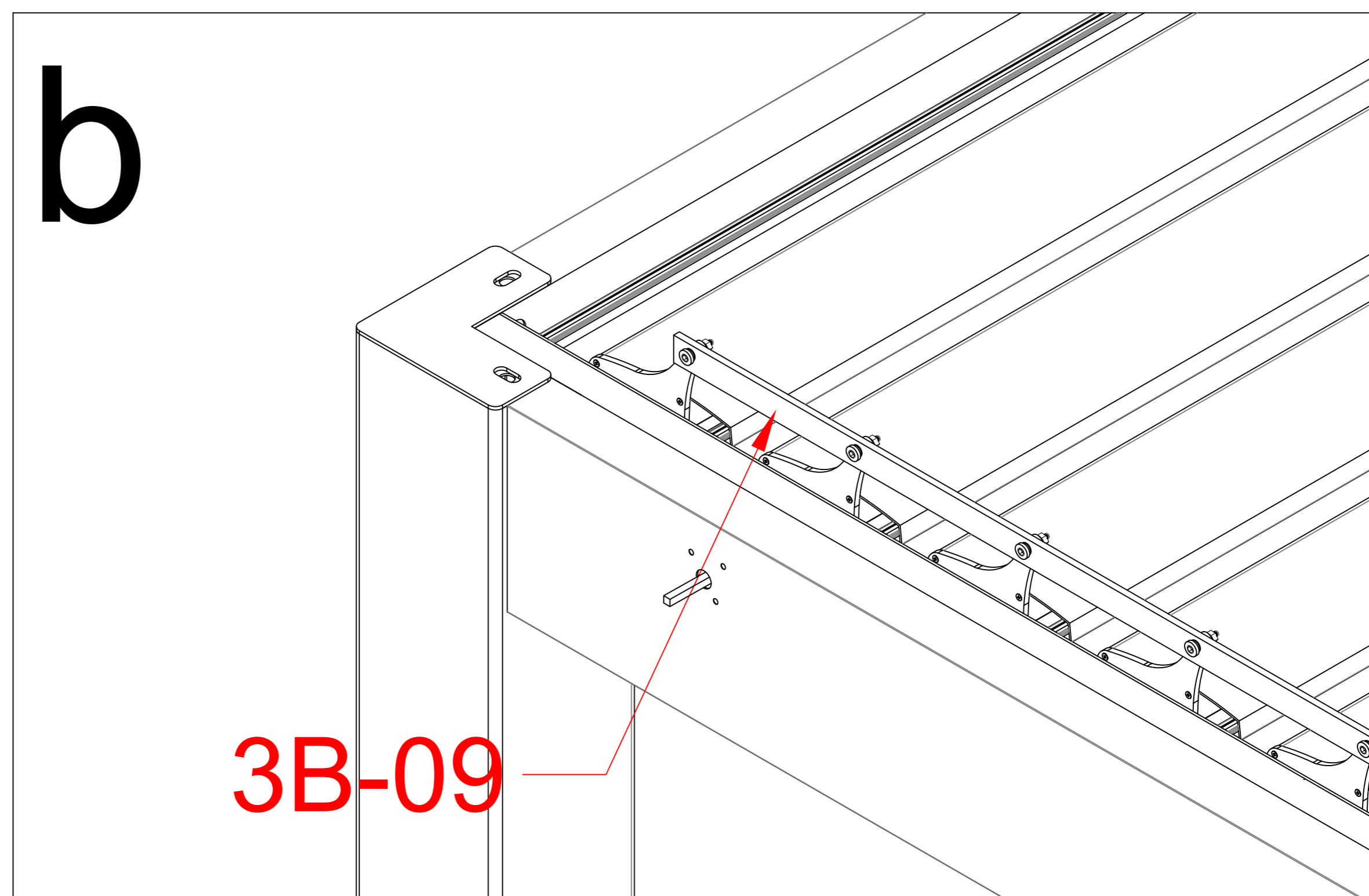
|        |   |    |
|--------|---|----|
| 3B-23  |  | 20 |
| 3B-08A |  | 1  |
| 3B-08B |  | 1  |
| 3B-08C |  | 1  |
| 3B-08D |  | 1  |

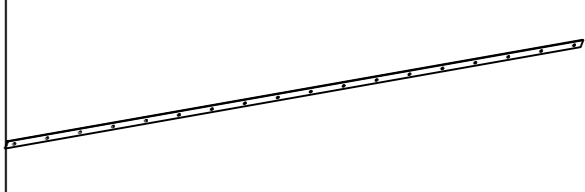
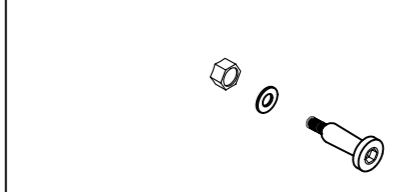


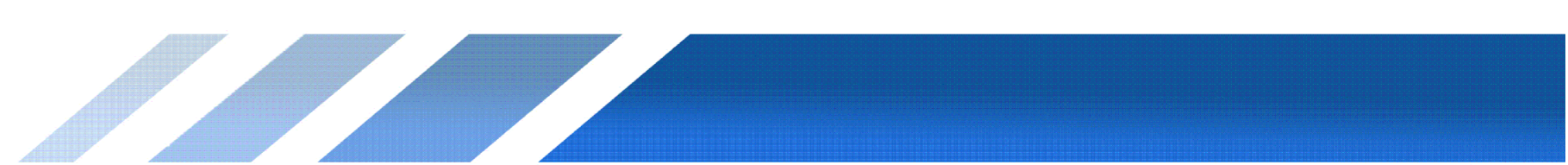


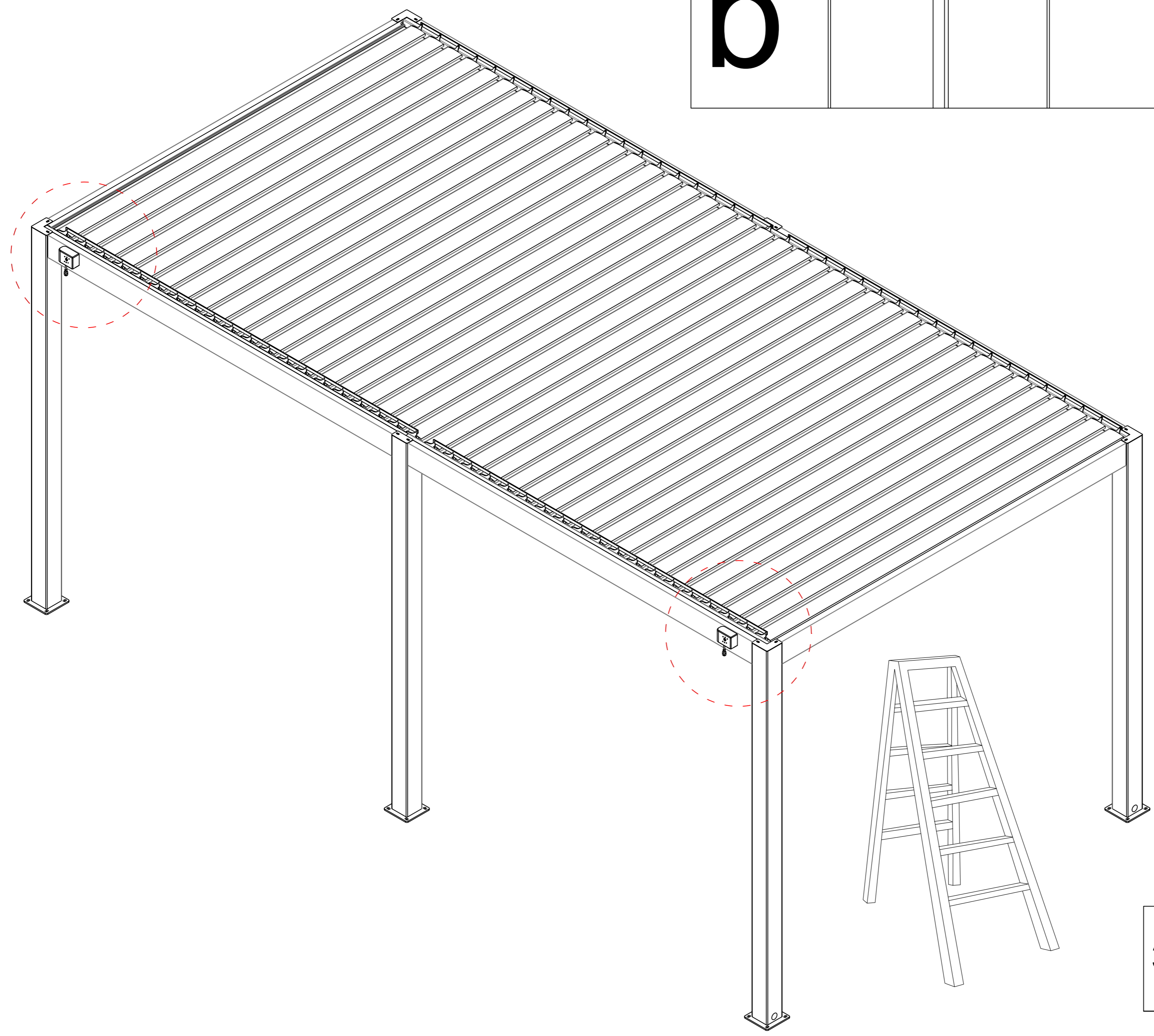
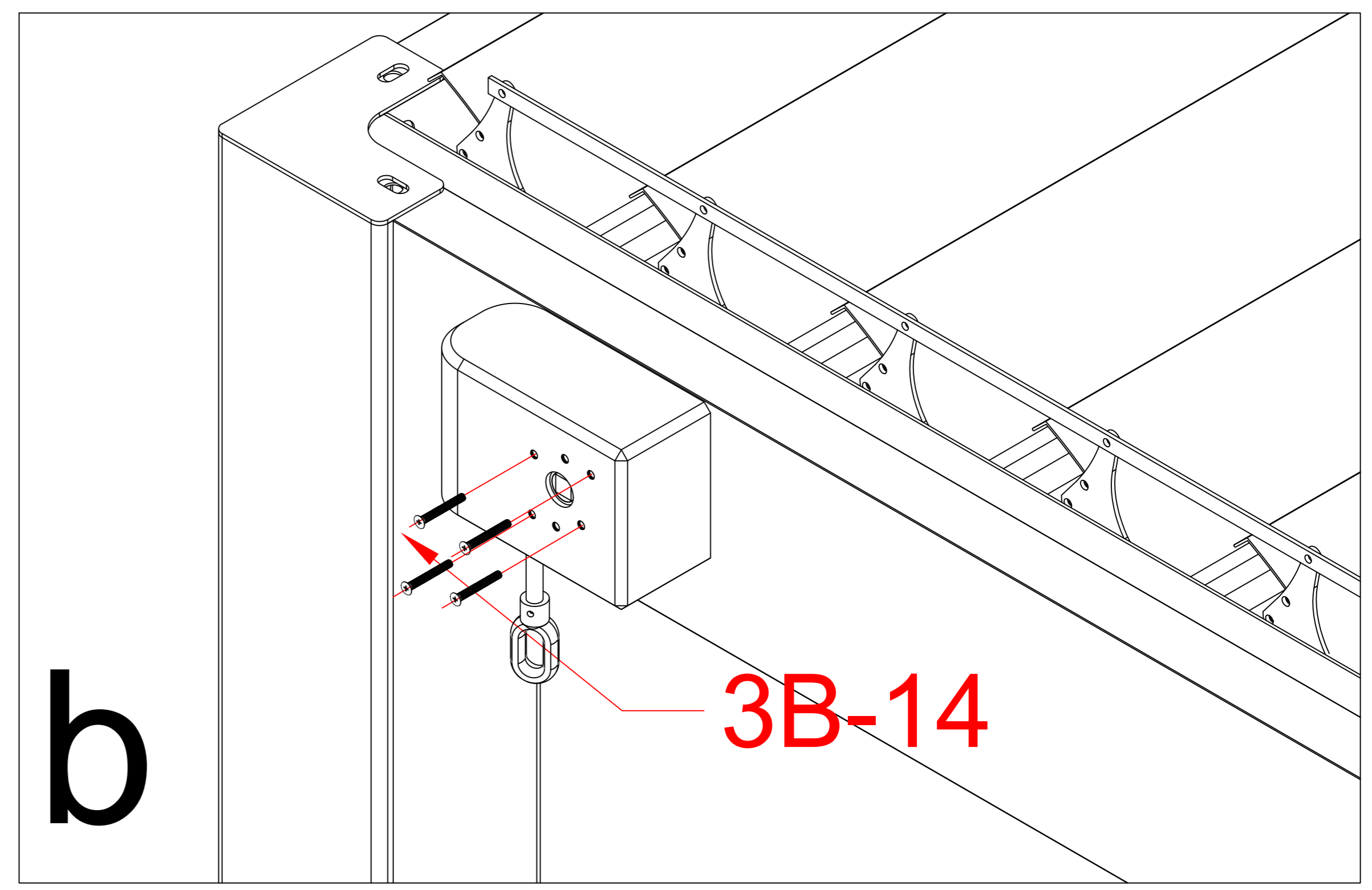
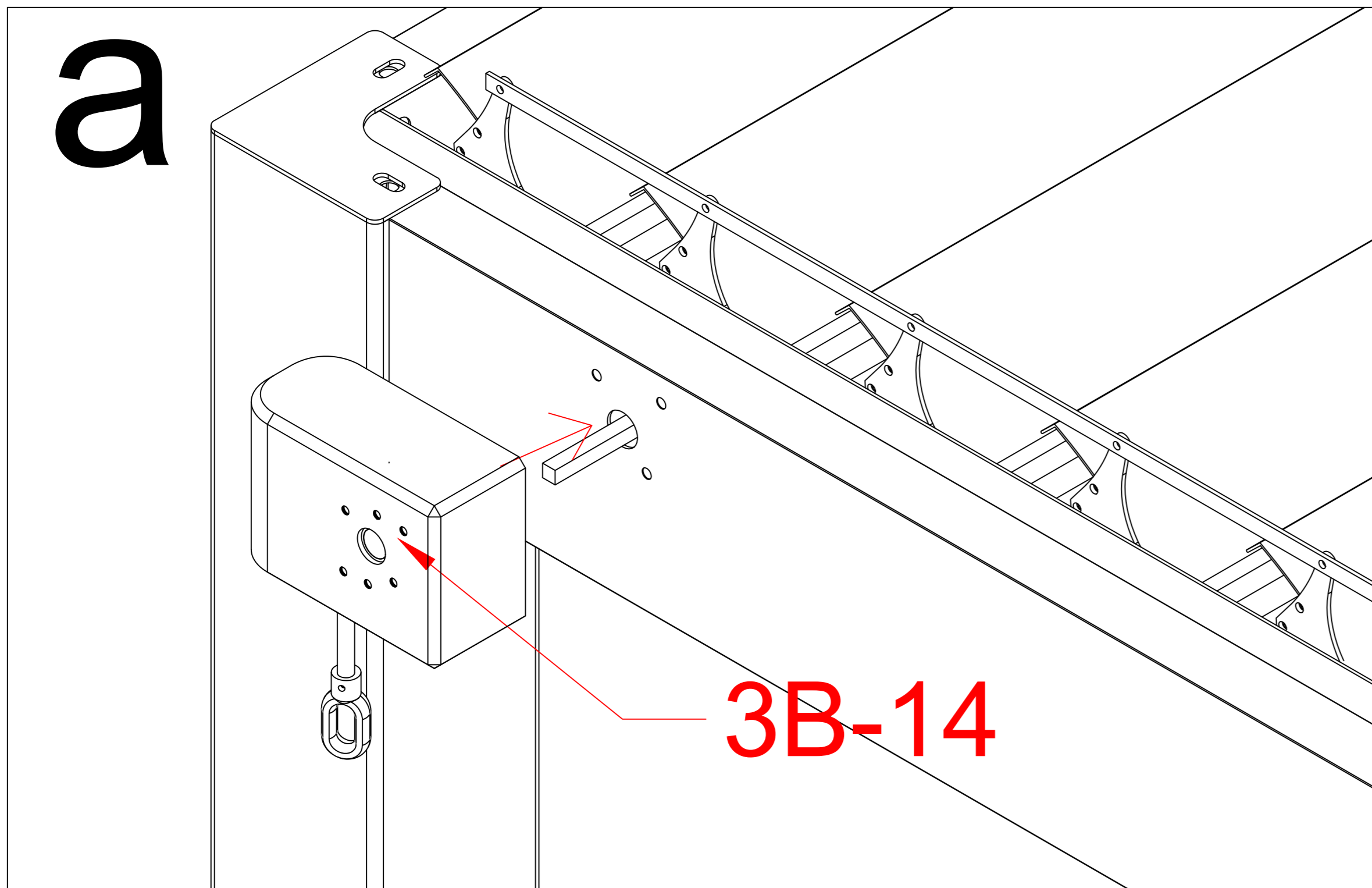


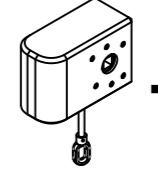

**warning:**  
Bolts must be tightened

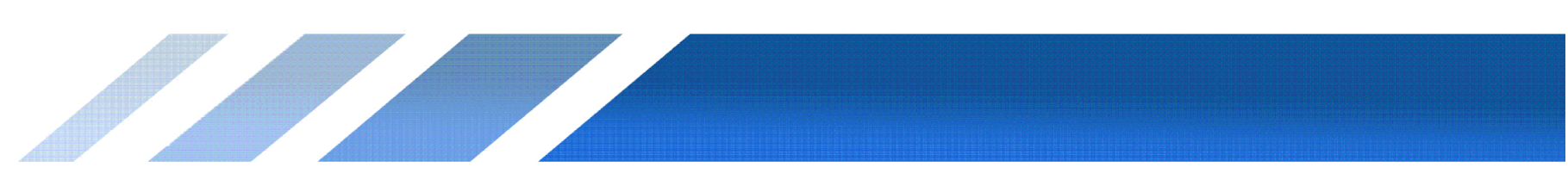


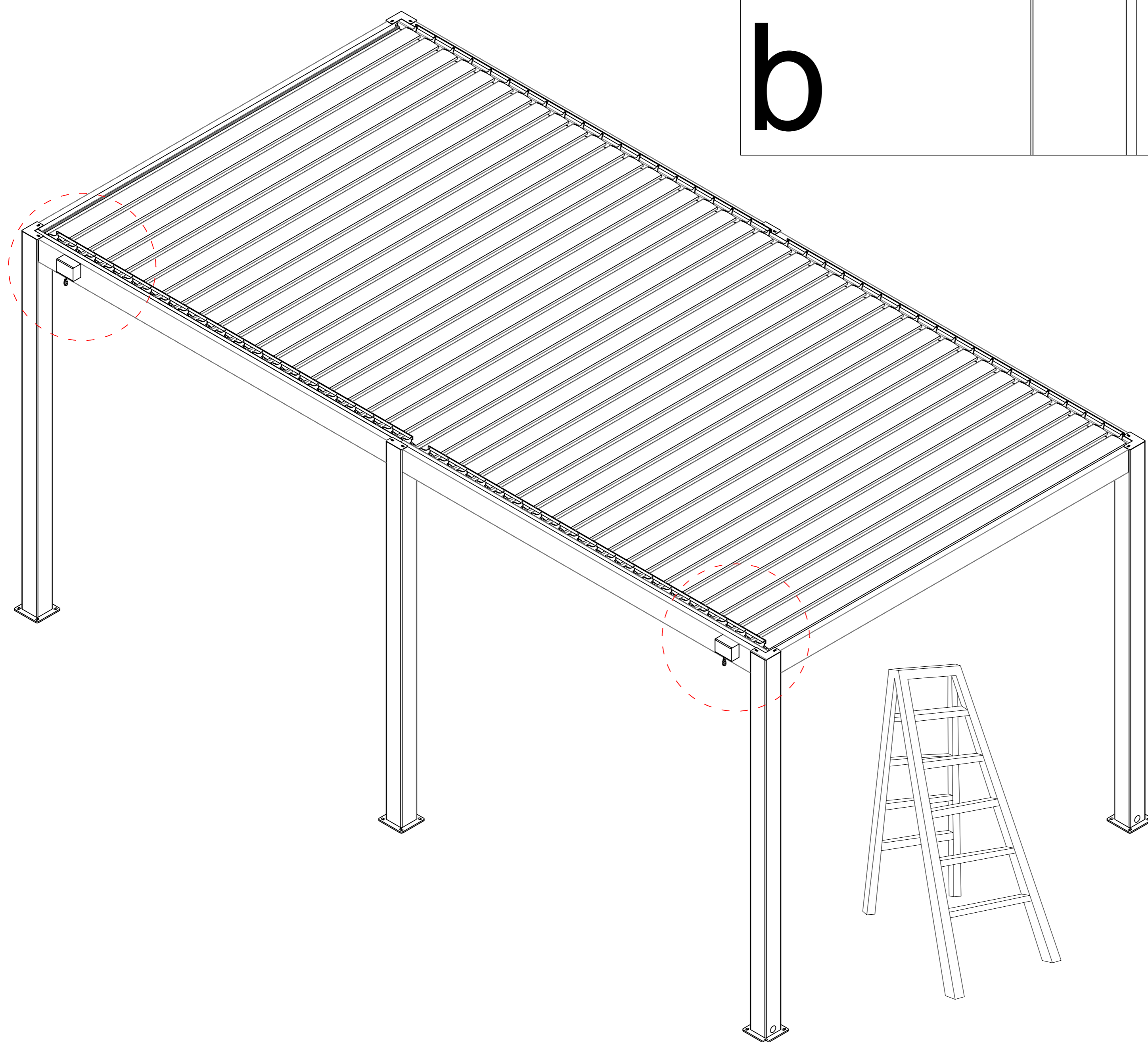
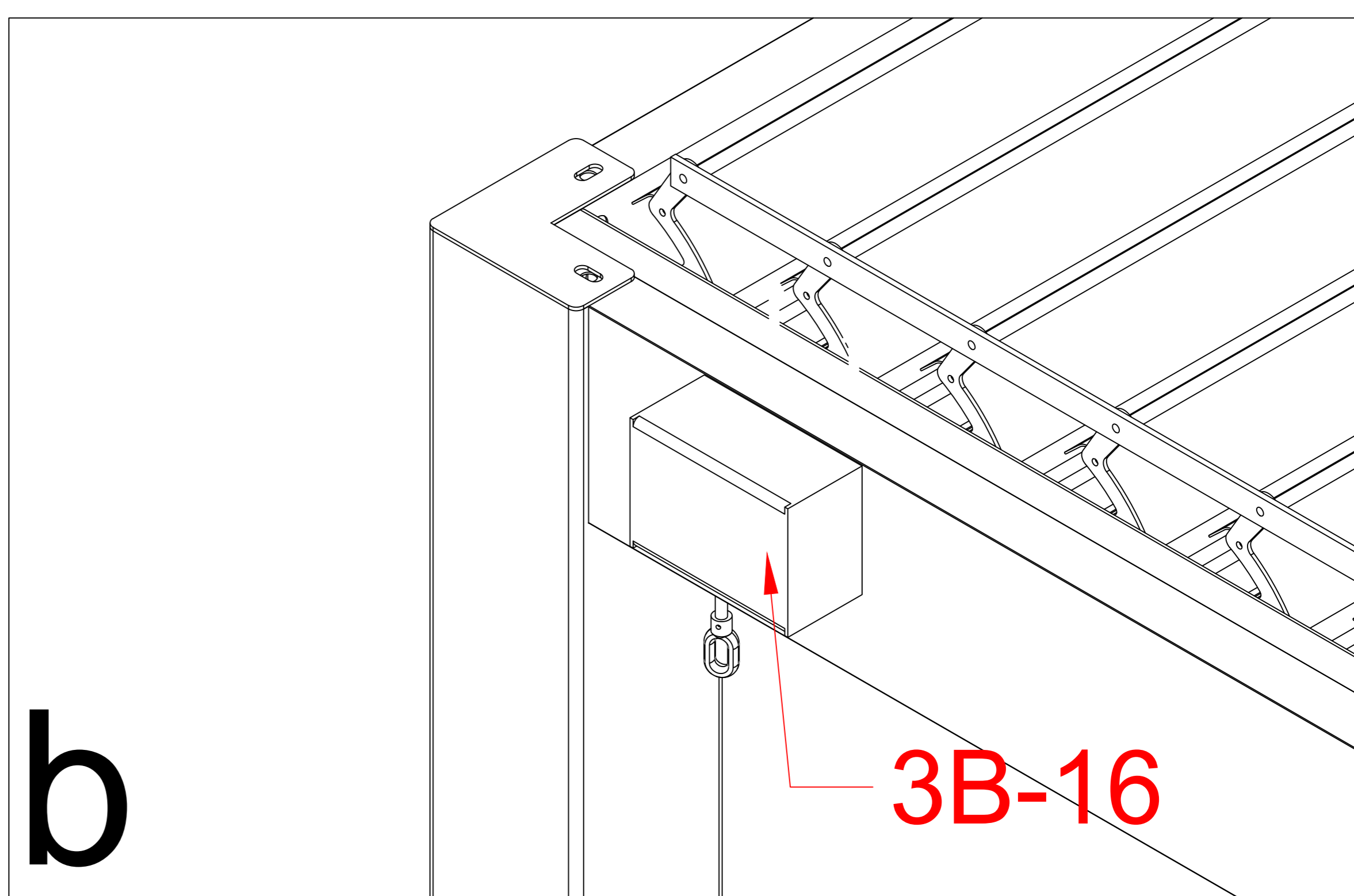
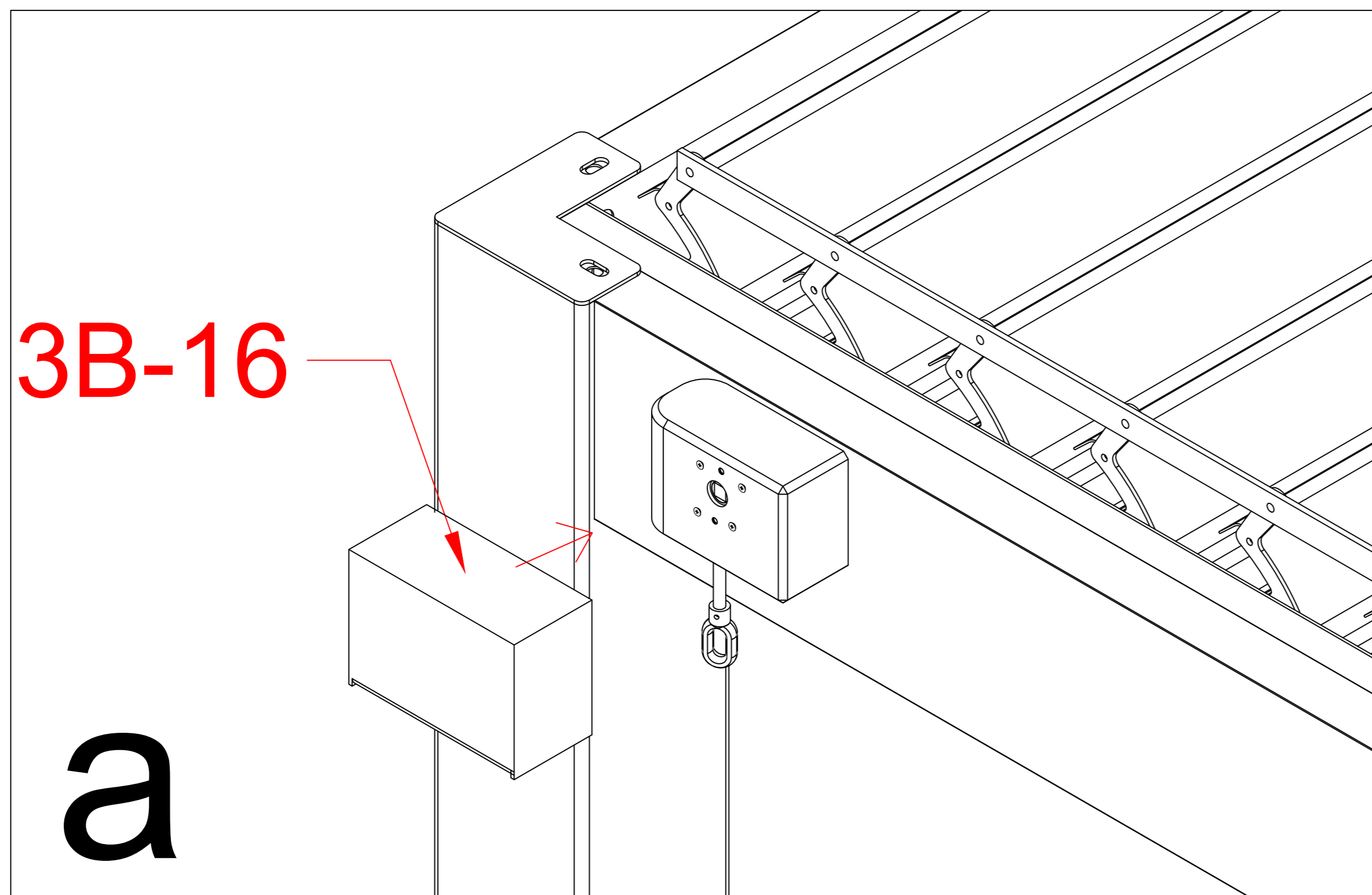
|       |   |   |
|-------|---|---|
| 3B-09 |  | 4 |
| 3B-20 |  | X |



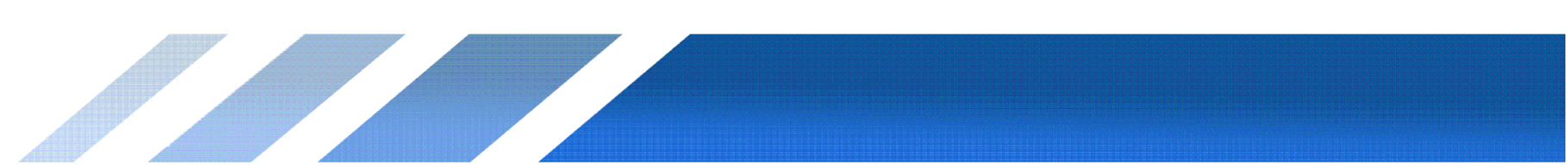


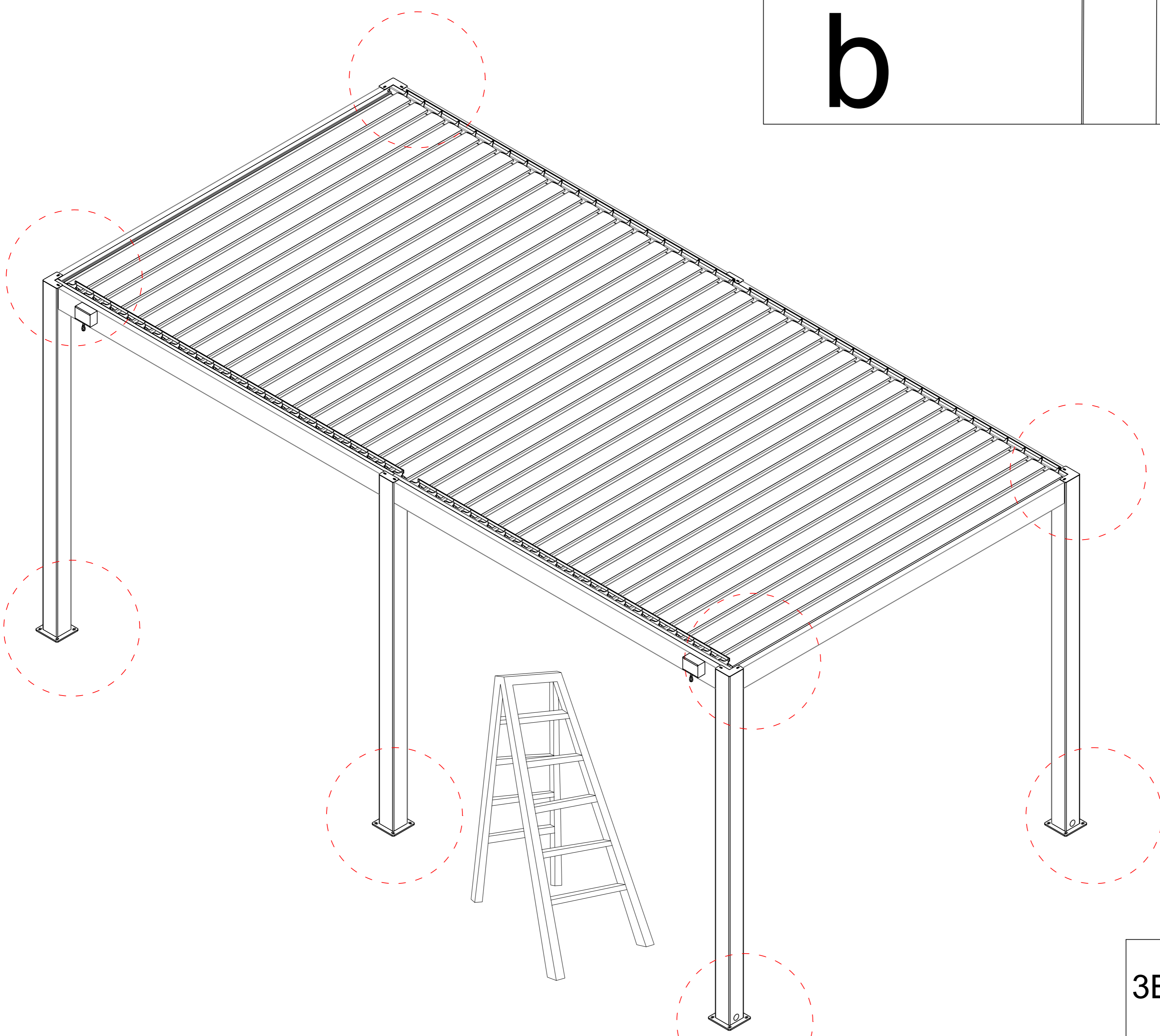
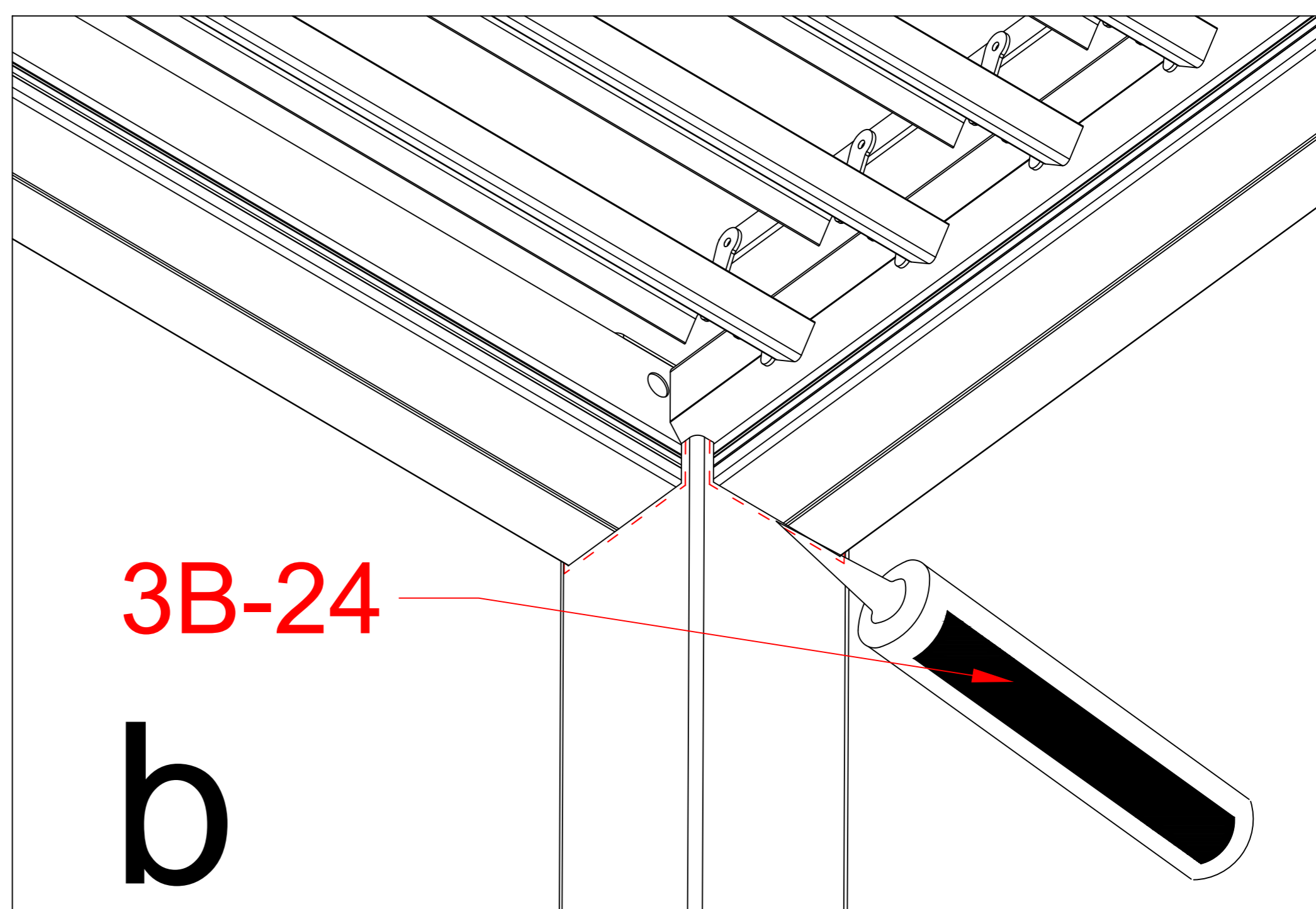
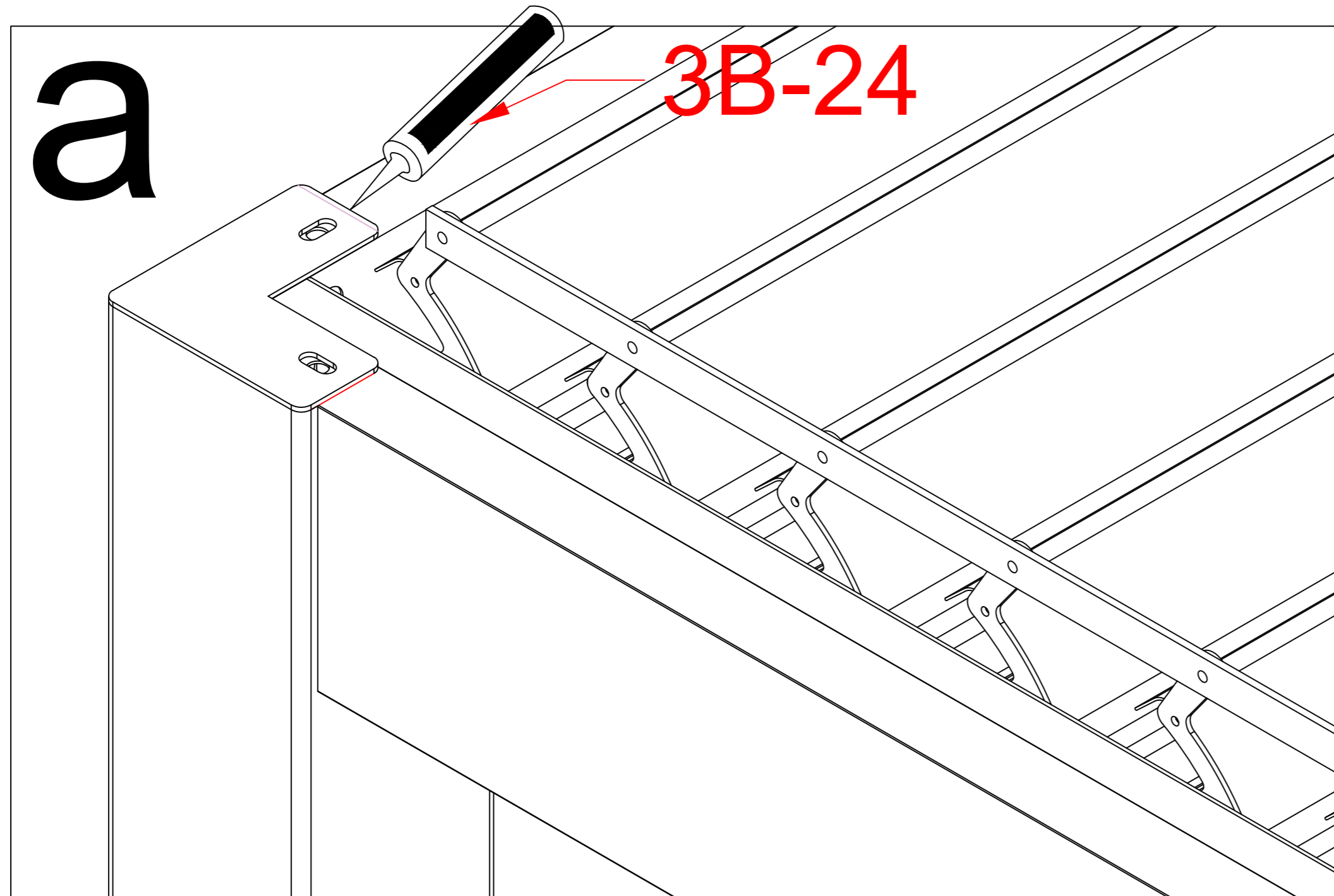
|       |   |   |
|-------|---|---|
| 3B-14 |  +  | 2 |
|-------|---|---|

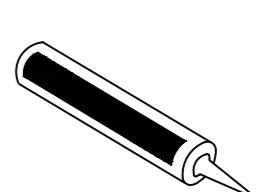


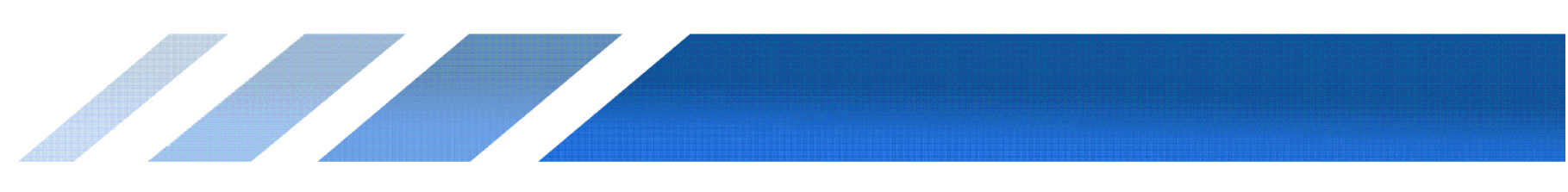


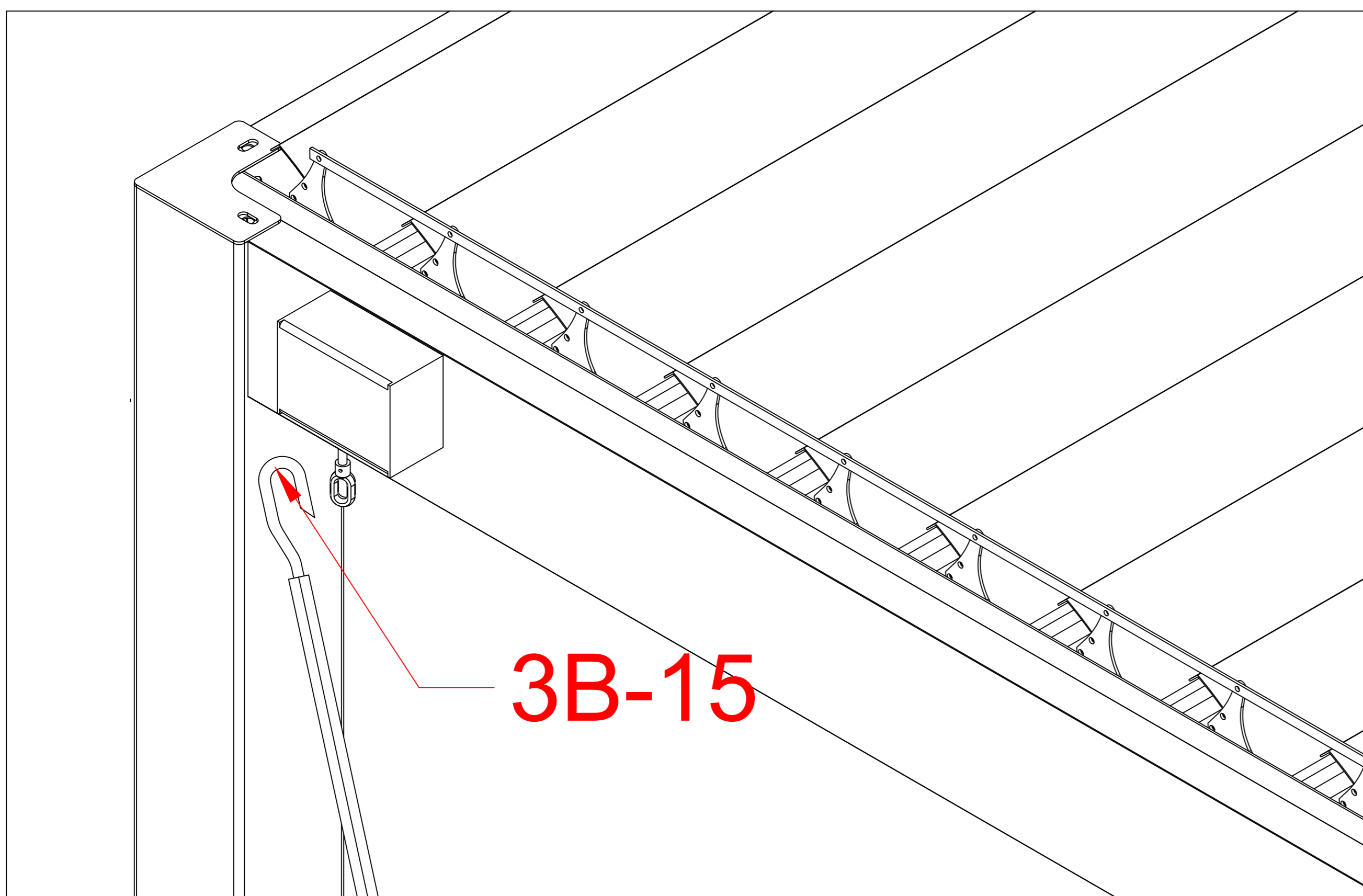
|       |  |   |
|-------|--|---|
| 3B-16 |  | 2 |
|-------|--|---|





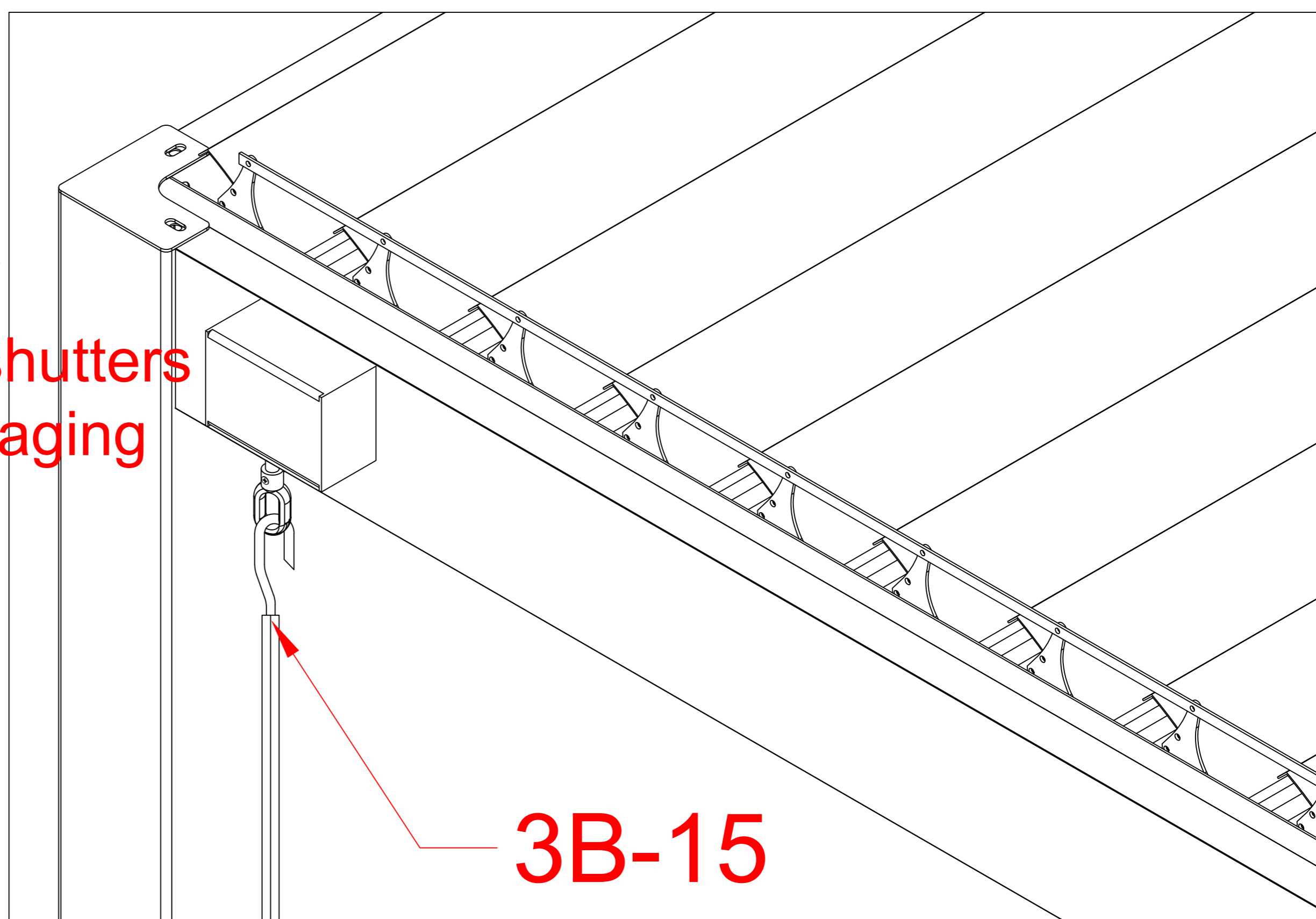
|       |   |   |
|-------|---|---|
| 3B-24 |  | 1 |
|-------|---|---|



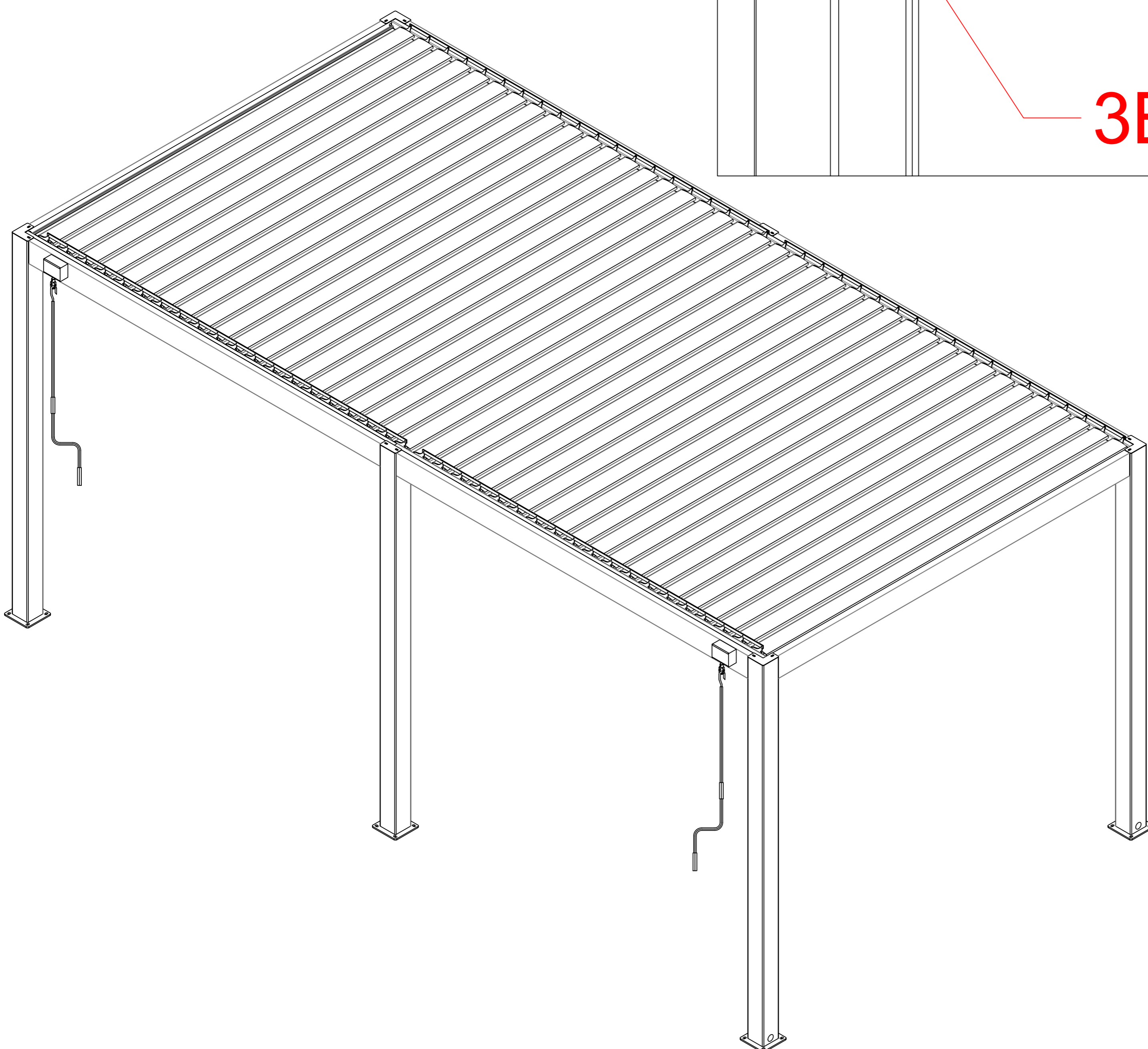


3B-15

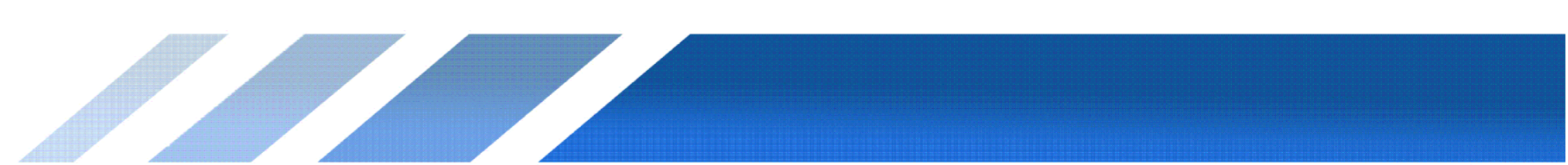
**Warning**  
In Snow / Wind season or in case of snow / wind forecast open up your shutters in vertical position to avoid any damaging on your pergola.



3B-15



|       |  |   |
|-------|--|---|
| 3B-15 |  | 2 |
|-------|--|---|





When opening the louver pergola, please first turn on motor 1 in sequence, and then turn on motor 2.  
When closing the louver pergola, please first turn off motor 2 in sequence, and then turn off motor 1.

