

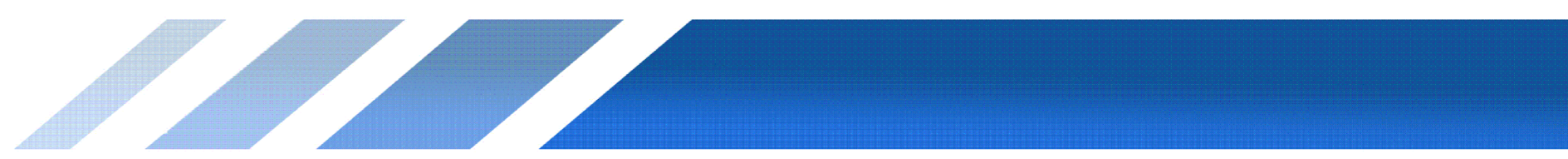
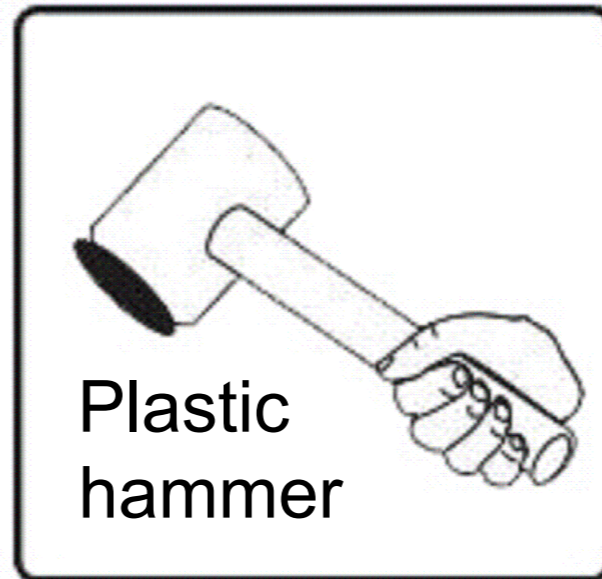
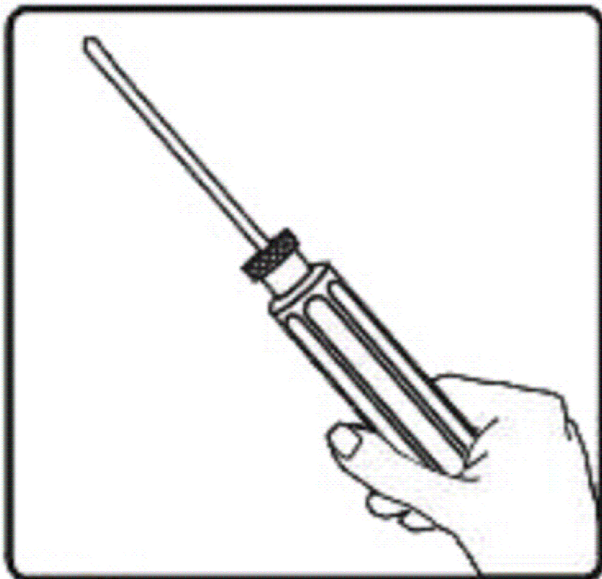
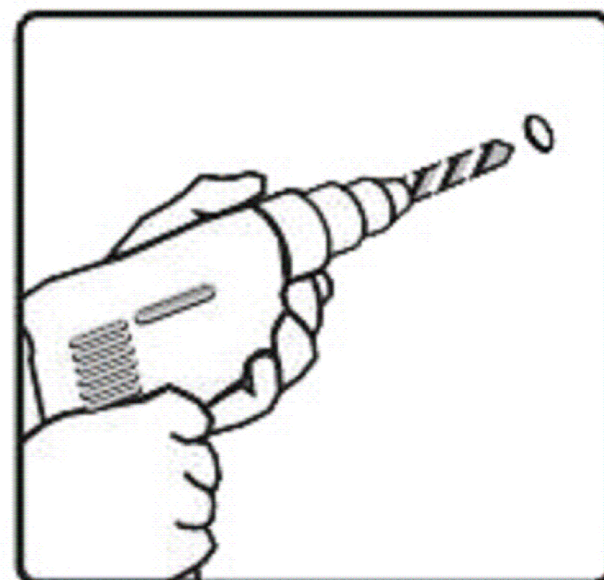
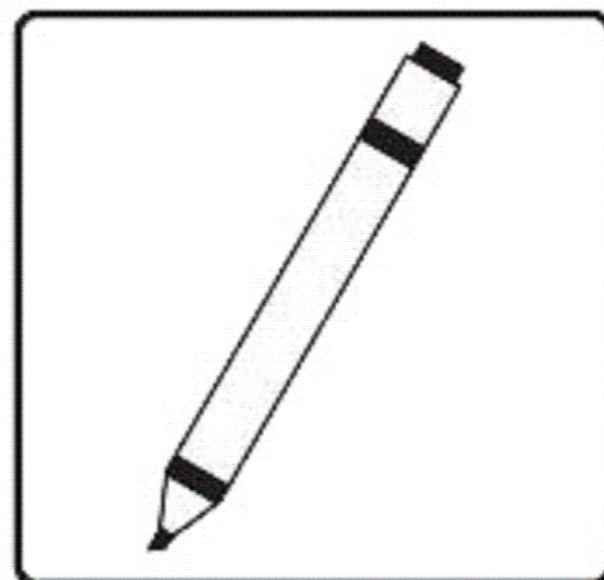
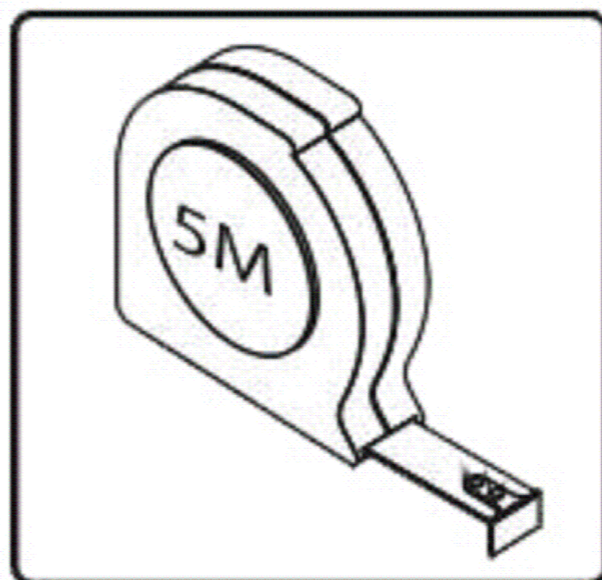
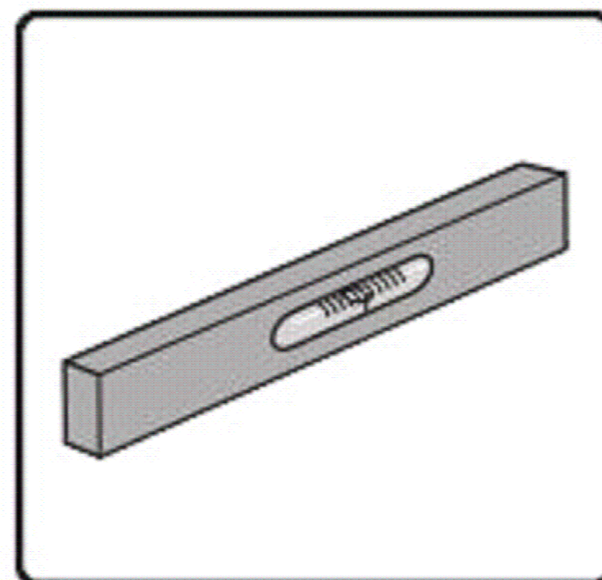
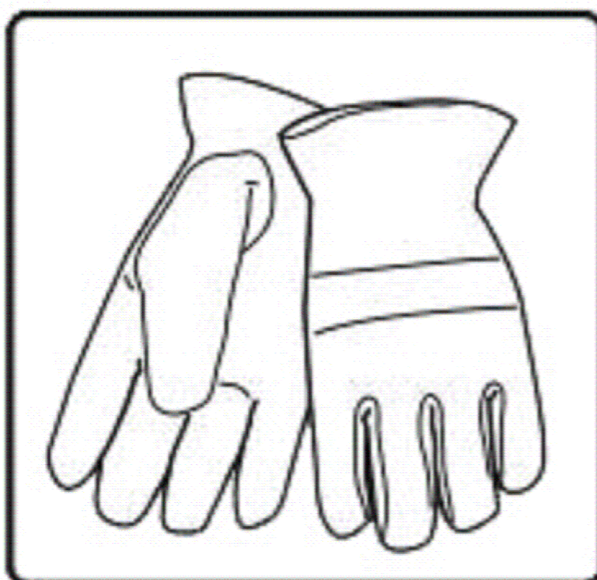
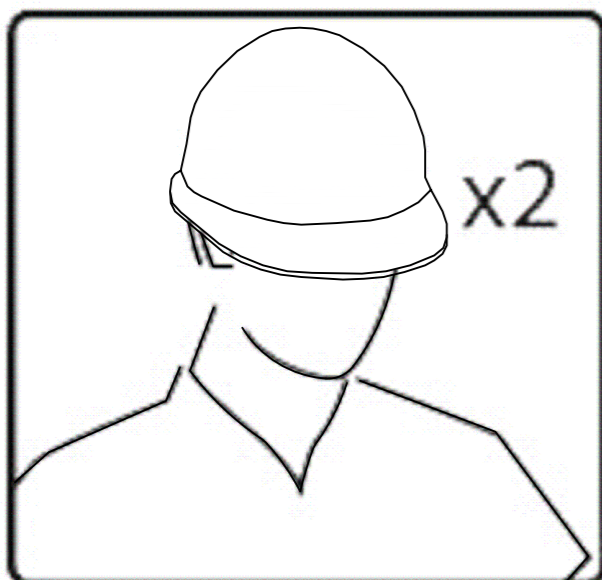
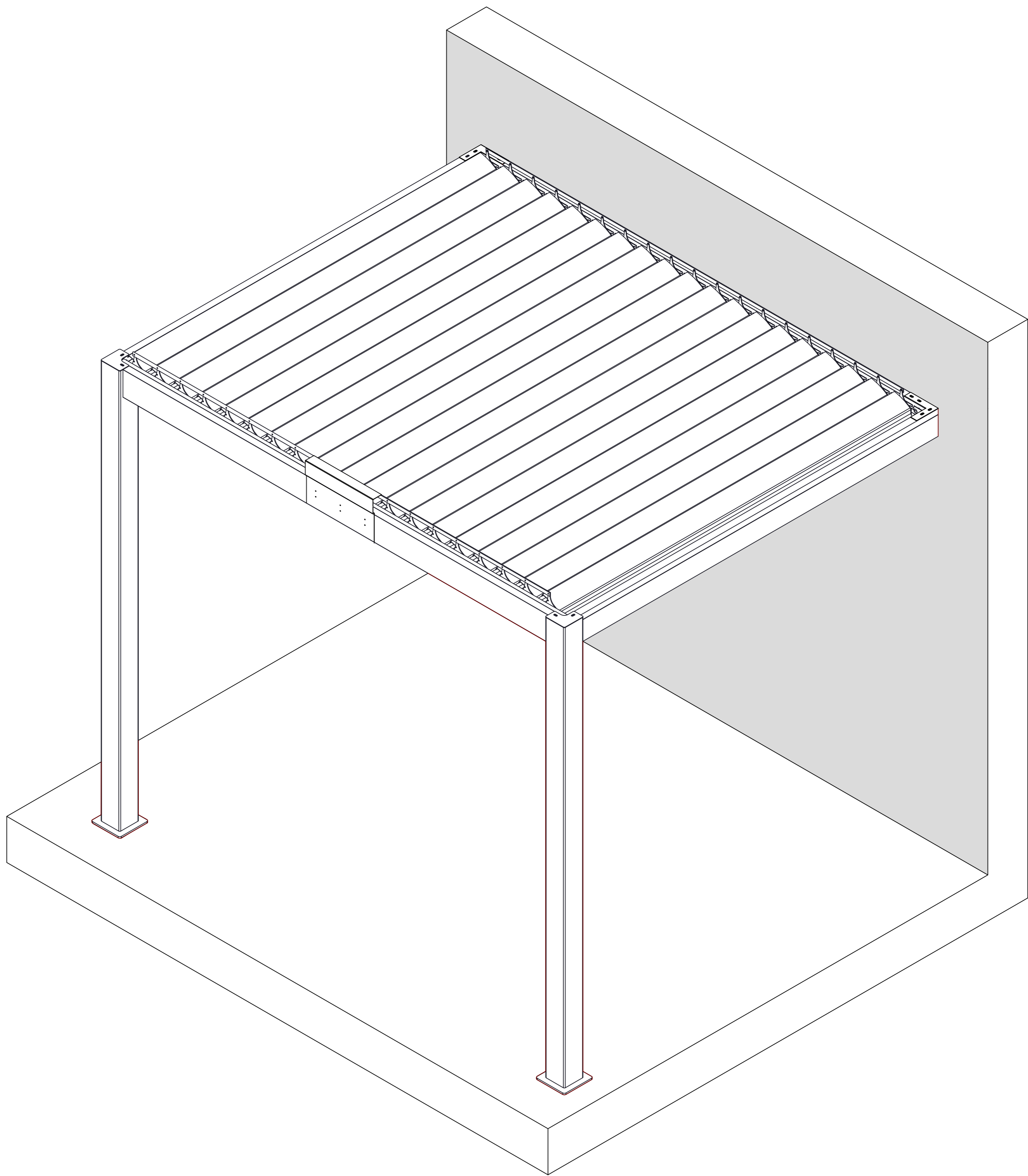


LIVING CULTURE

ELECTRIC PERGOLA WALL MOUNTED 2 POSTS

5x2m





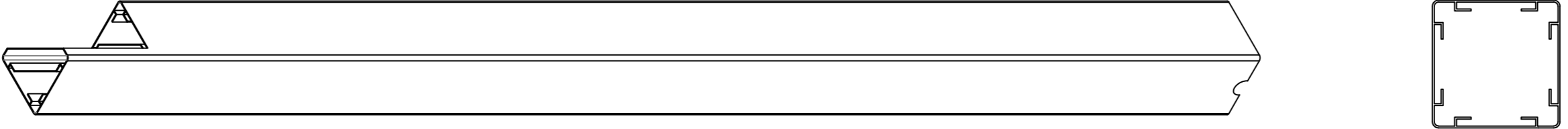
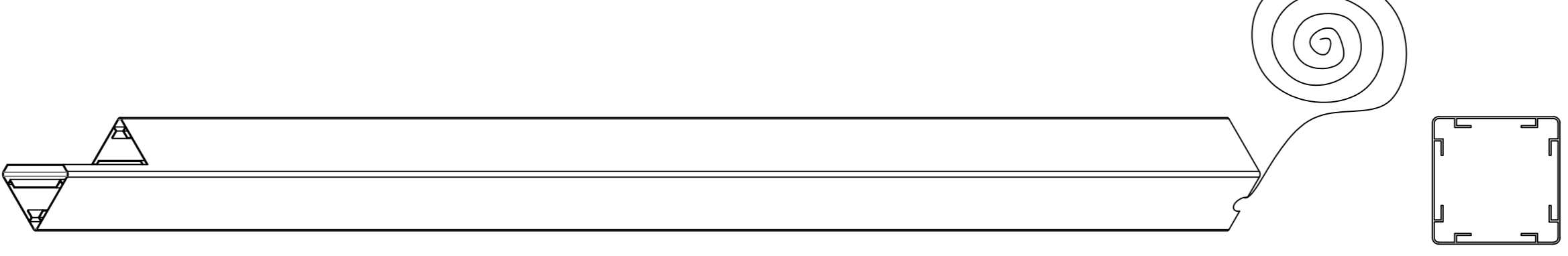
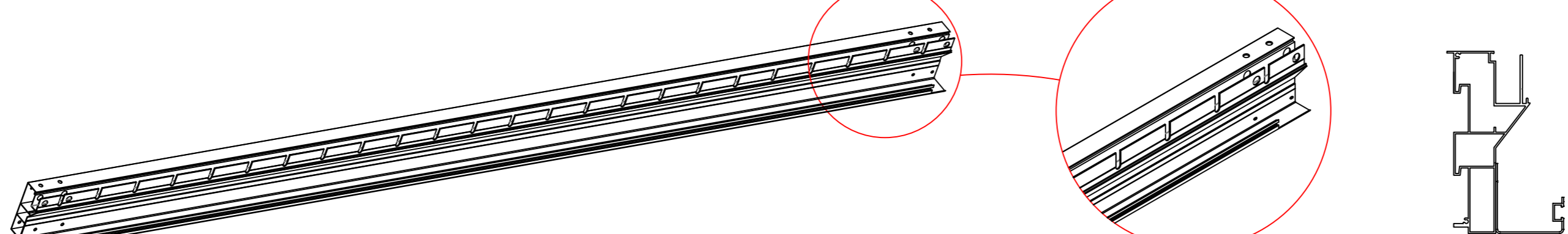
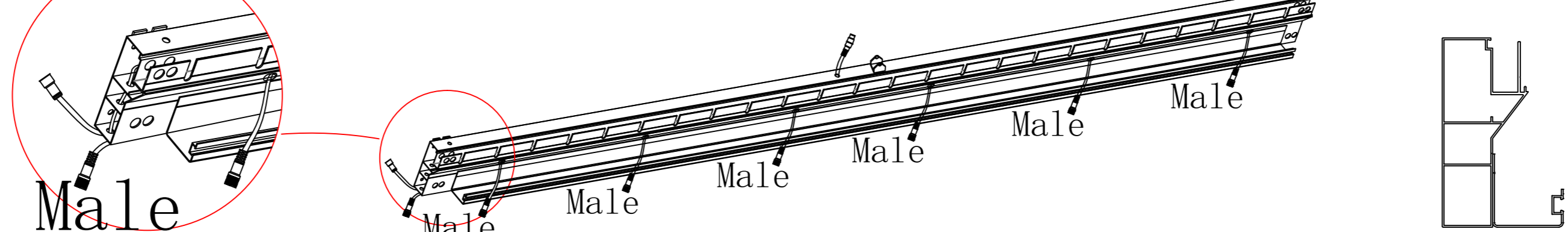
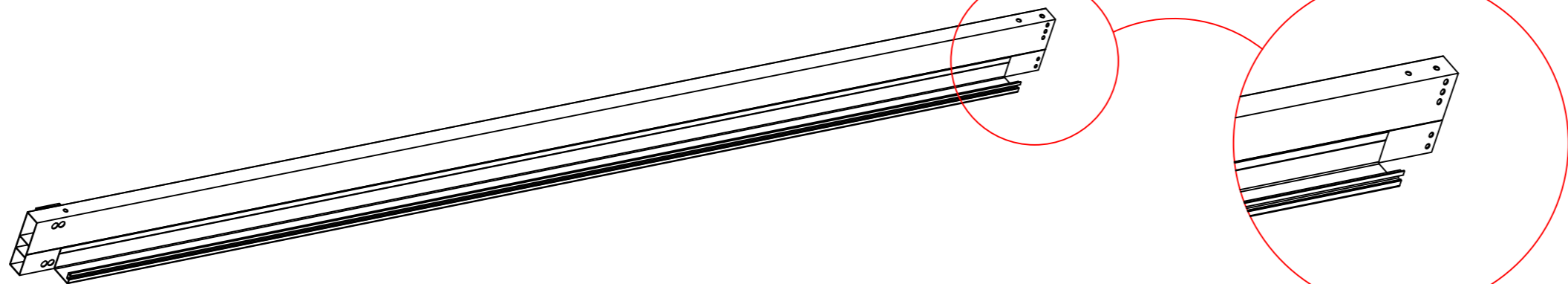
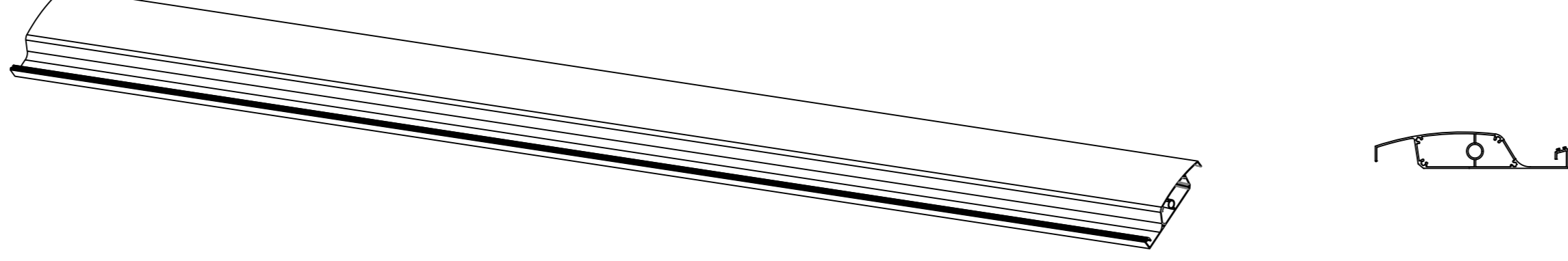
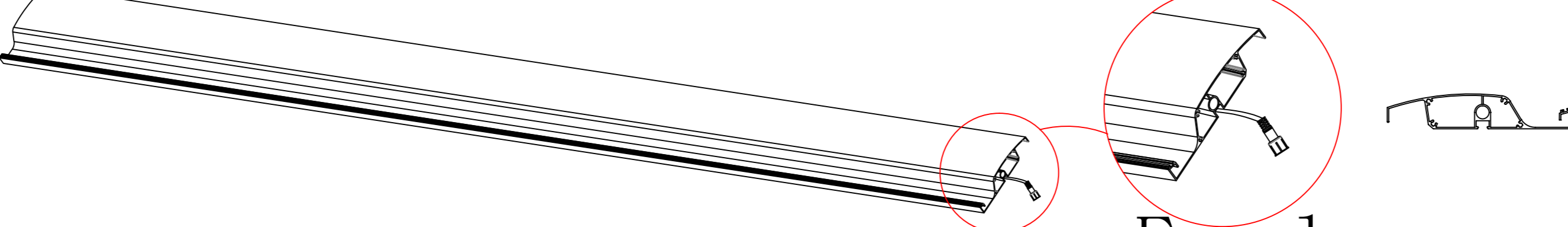
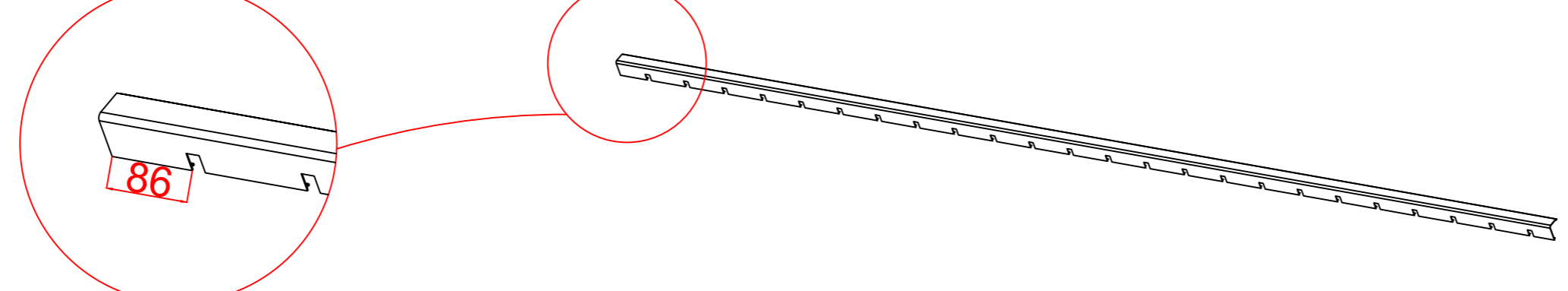
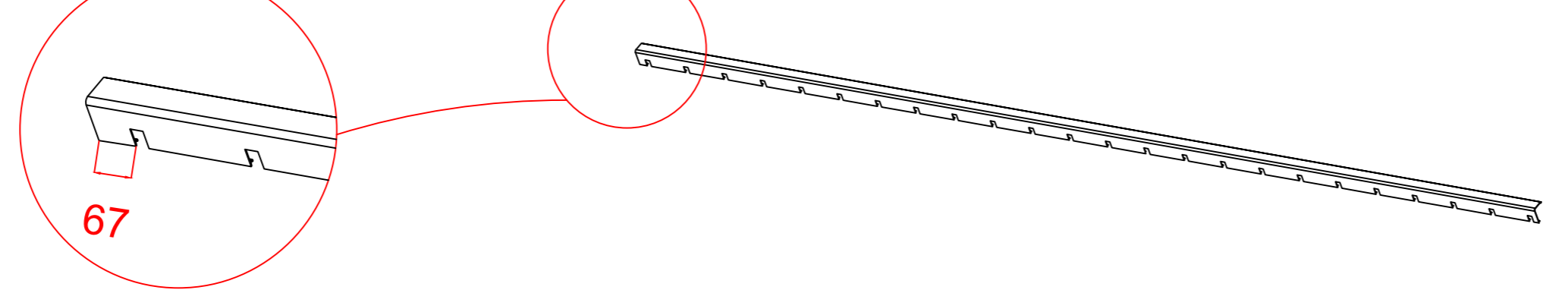
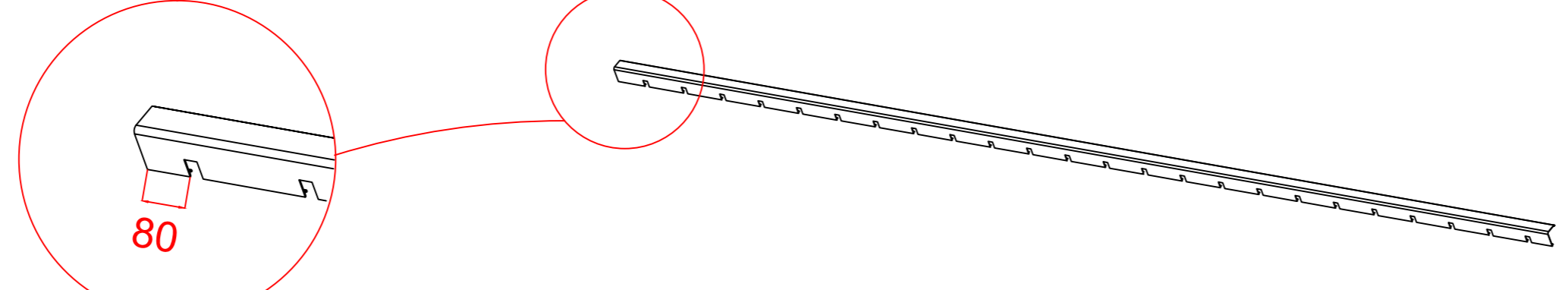


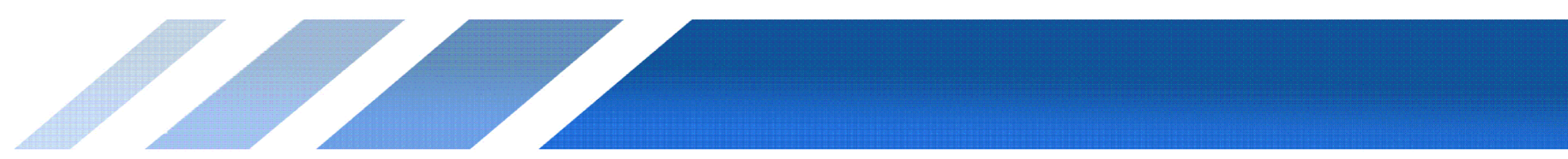
5×2m

	Item	Qty	Item	Qty	Item	Qty	Item	Qty
Carton 1/4	3B-01/ 01B	2	3B-11	2	3B-12	2	3B-13	2
	3B-14	1	3B-18	1	3B-19	16	3B-20/ 20B	64
	3B-21	8	3B-23	43	3B-24	1	3B-30	1
	3B-31	1	3B-35	2	3B-40	2	3B-41	2
	3B-42a	10	3B-42b	8	3B-46	2	3B-48	28
	3B-48B	6	3B-49	28	3B-49B	6	3B-51	272
	3B-53	6	3B-54	6	3B-55	2	3B-62	12
	3B-57	6	3B-58	1	3B-59	1	3B-60	1
	3B-39	12	3B-45	8				
Carton 2/4	3B-02	1	3B-03	1	3B-04	2	3B-56	2
	3B-08A/ B/C/D	4	3B-09	2				
Carton 3/4	3B-06	12	3B-07	6				
Carton 4/4	3B-06	16						

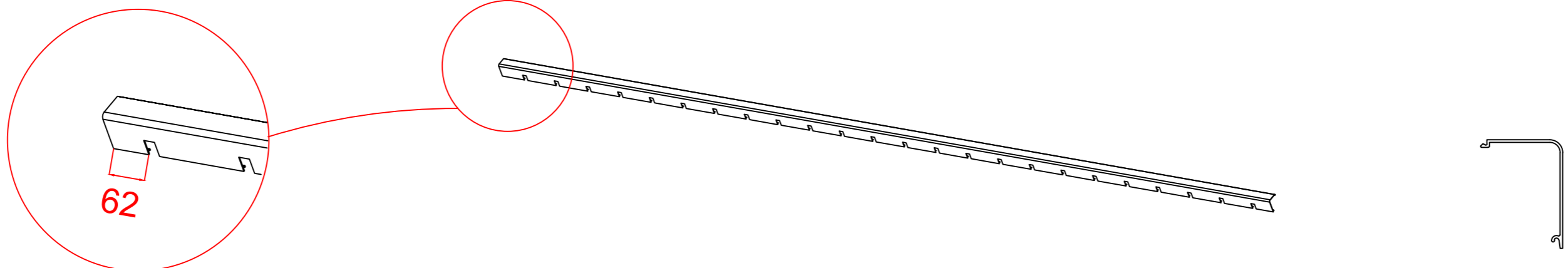
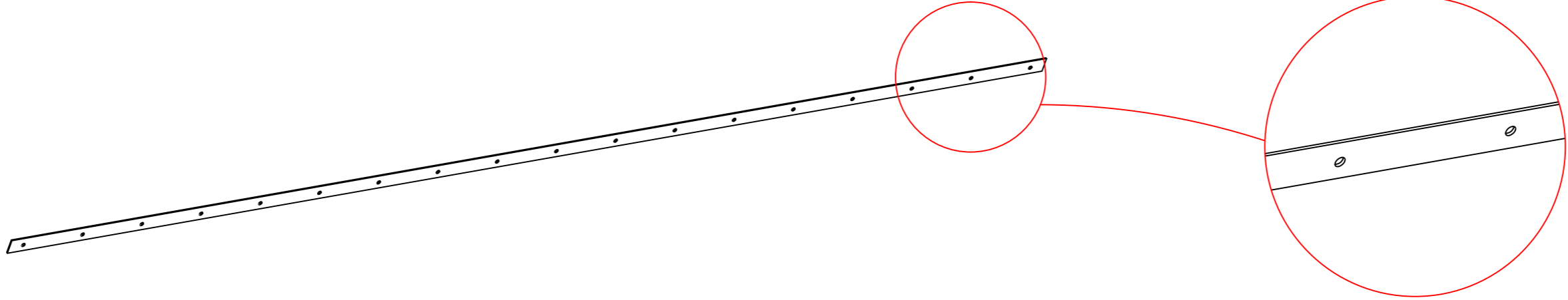
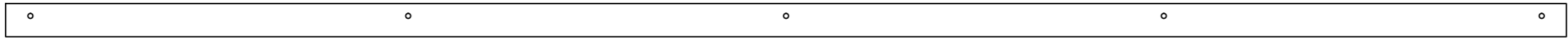




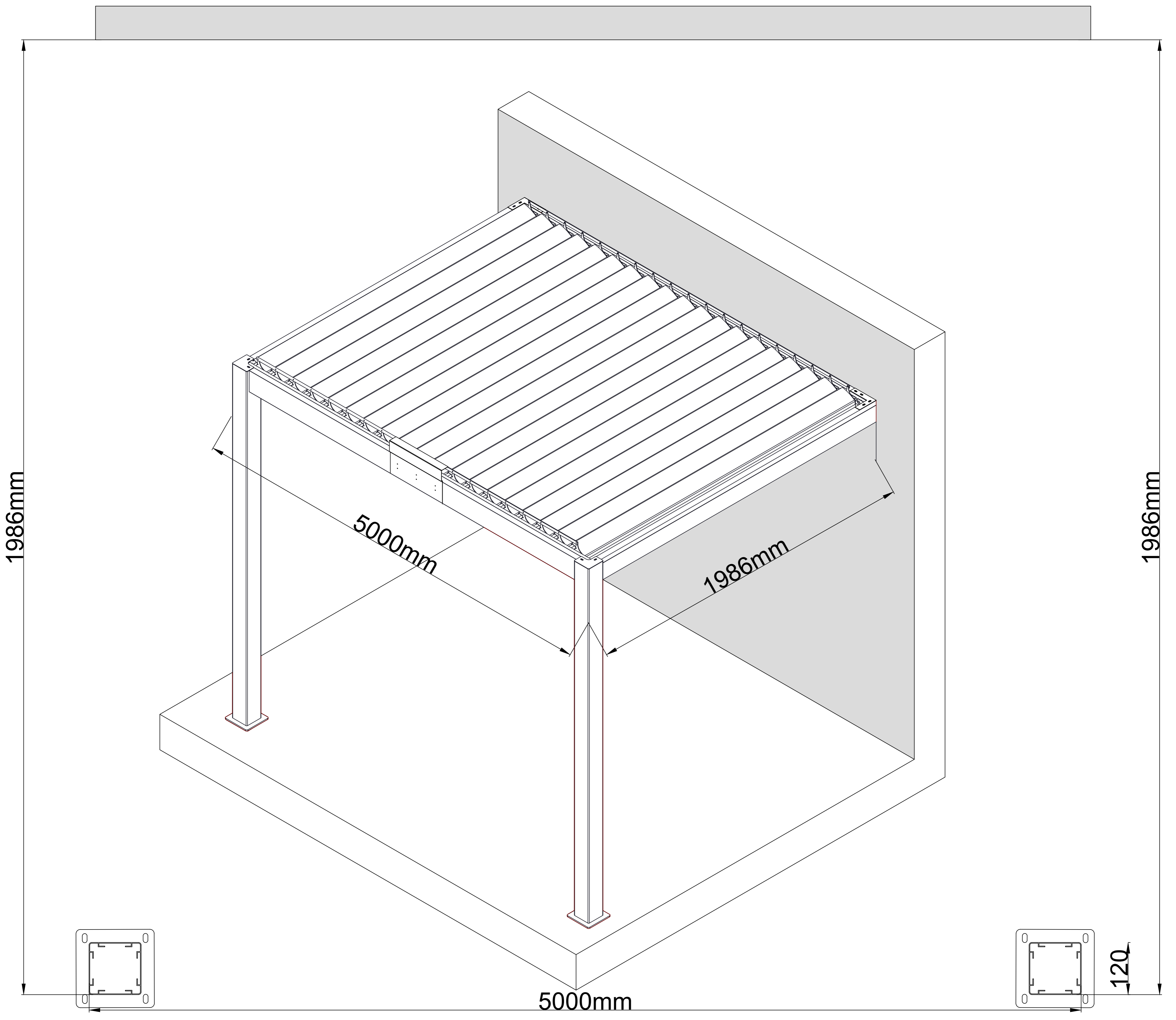
Item	Drawings	Qty
3B-01		1
3B-01B		1
3B-02		1
3B-03		1
3B-04		2
3B-06		28
3B-07		6
3B-08A		1
3B-08B		1
3B-08C		1



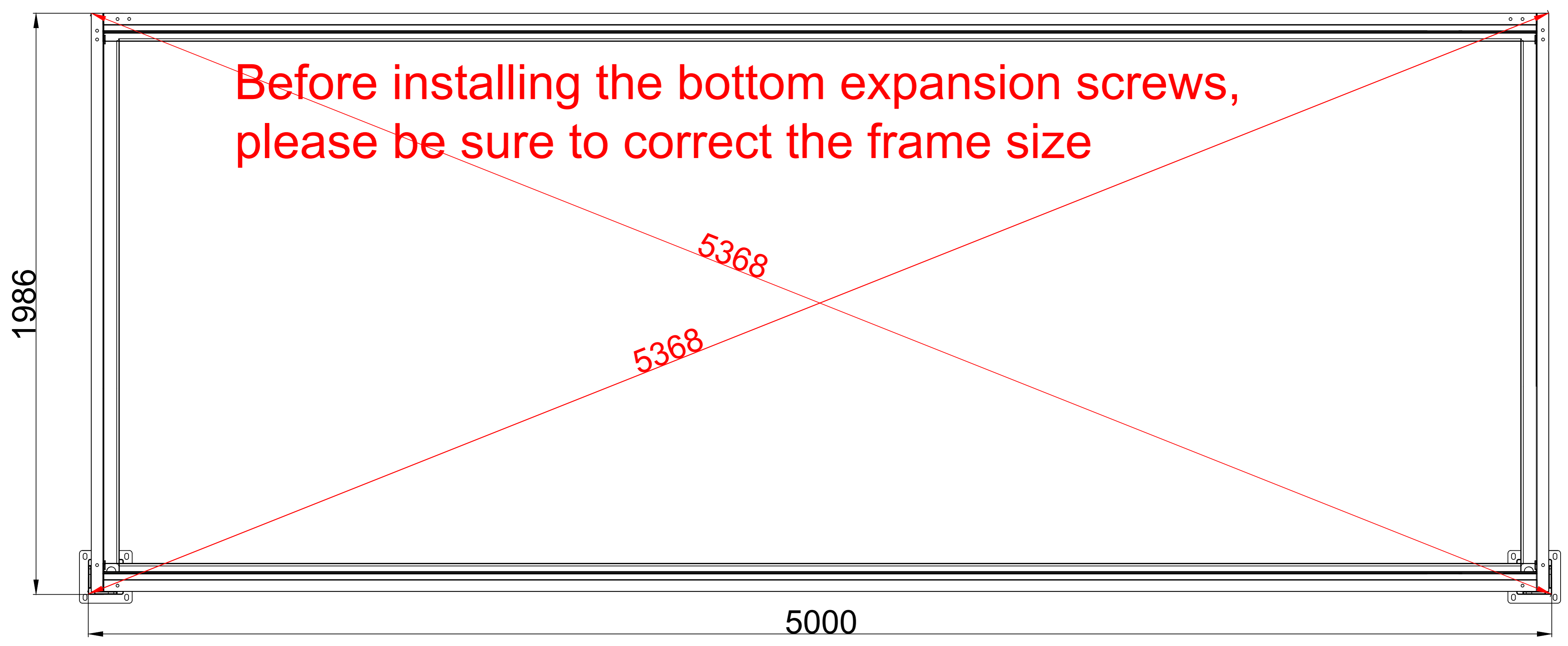


Item	Drawings	Qty
3B-08D		1
3B-09		2
3B-56		2

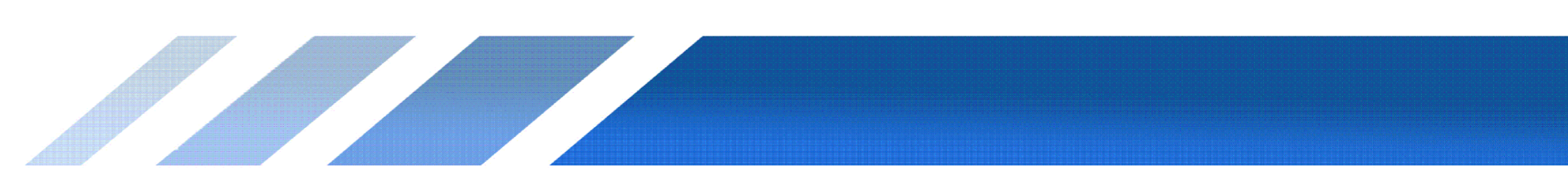




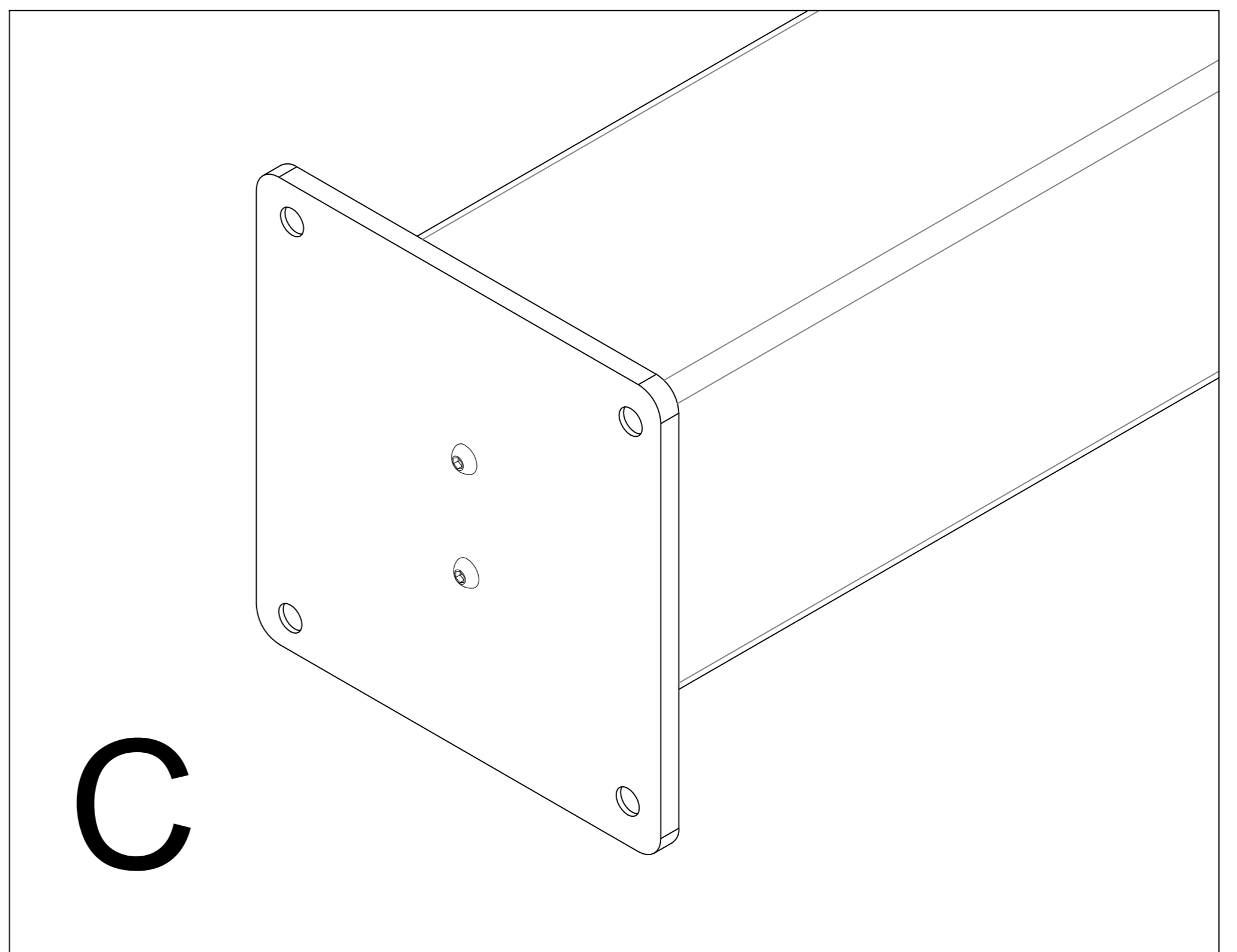
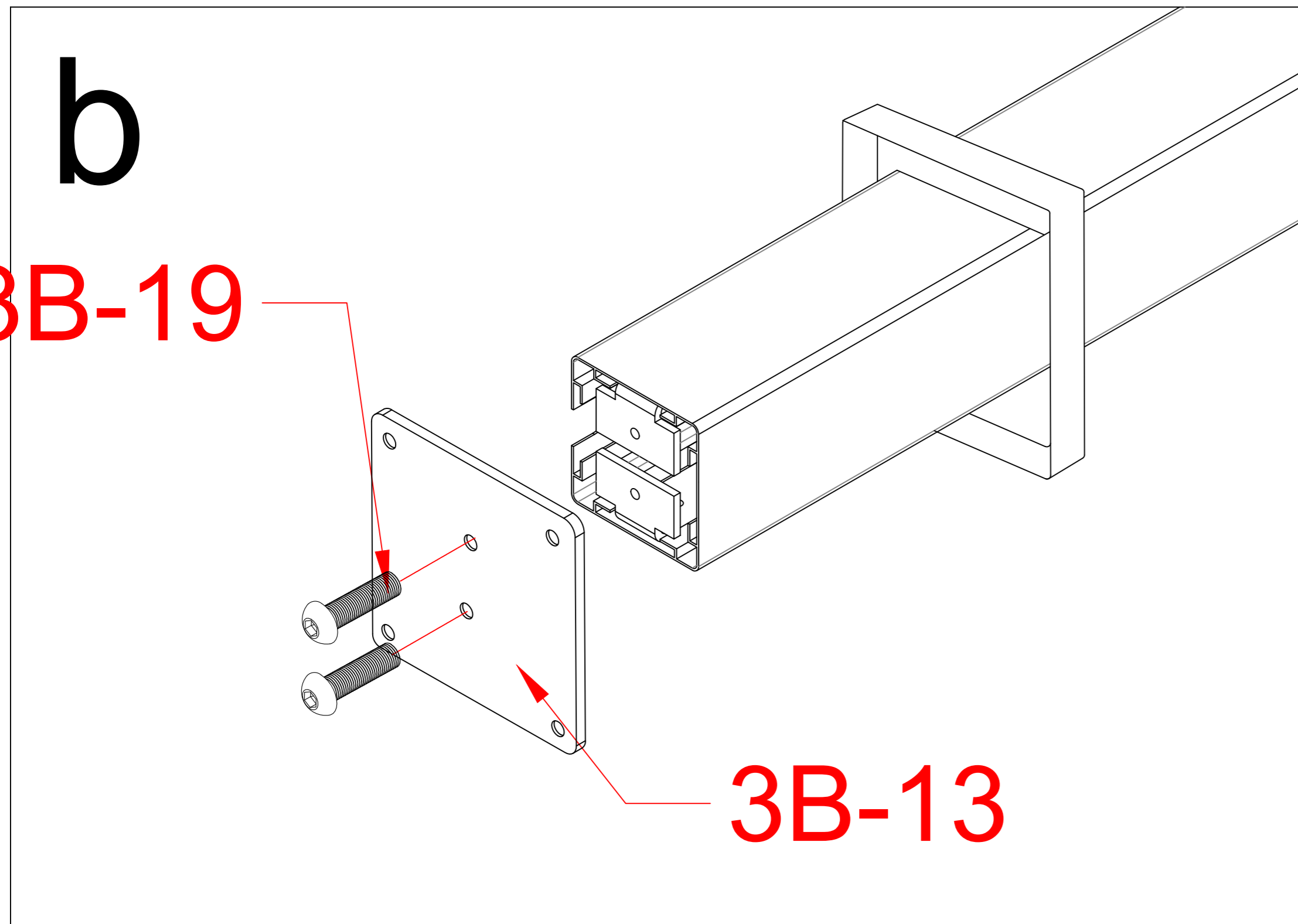
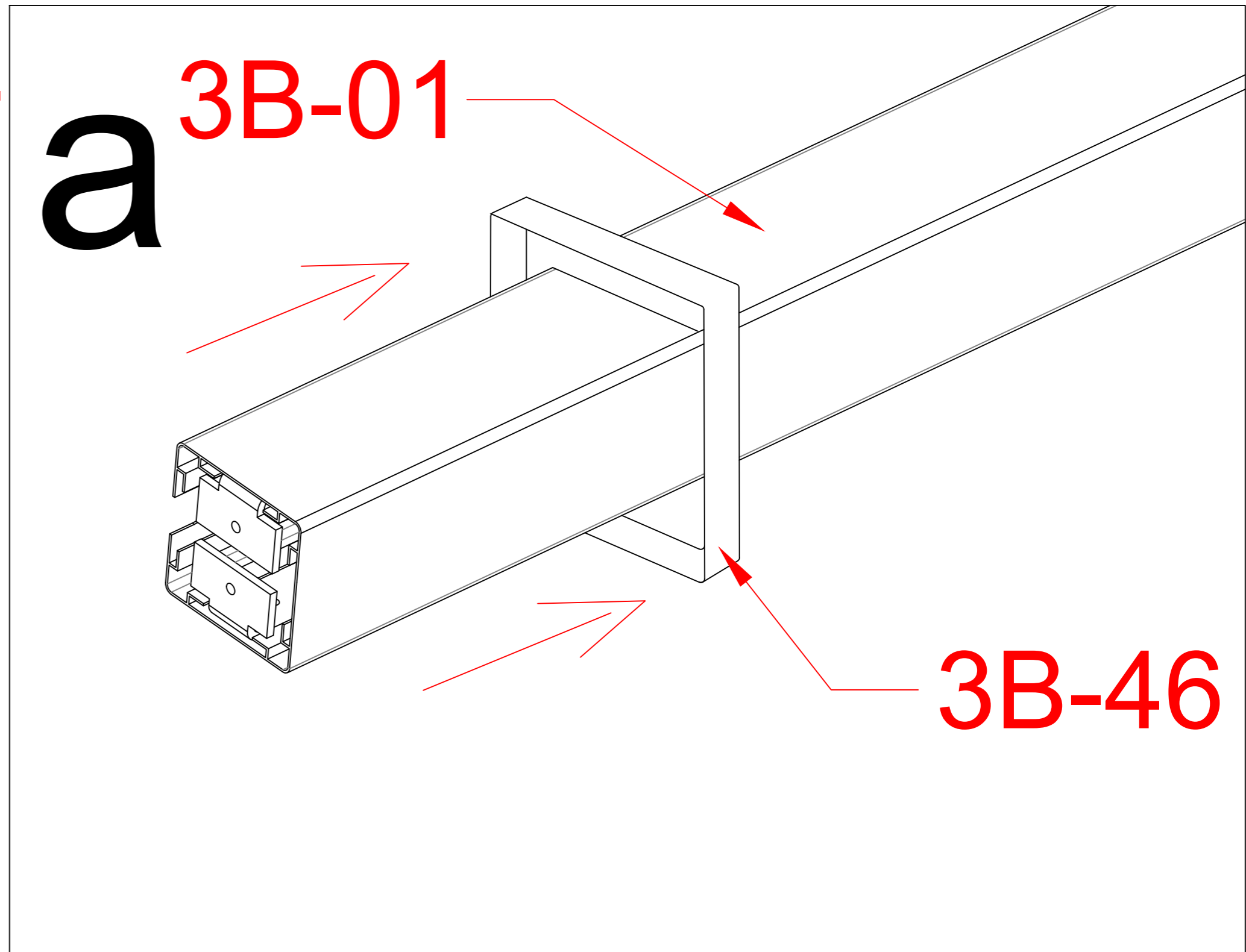
Before installing the bottom expansion screws,
please be sure to correct the frame size



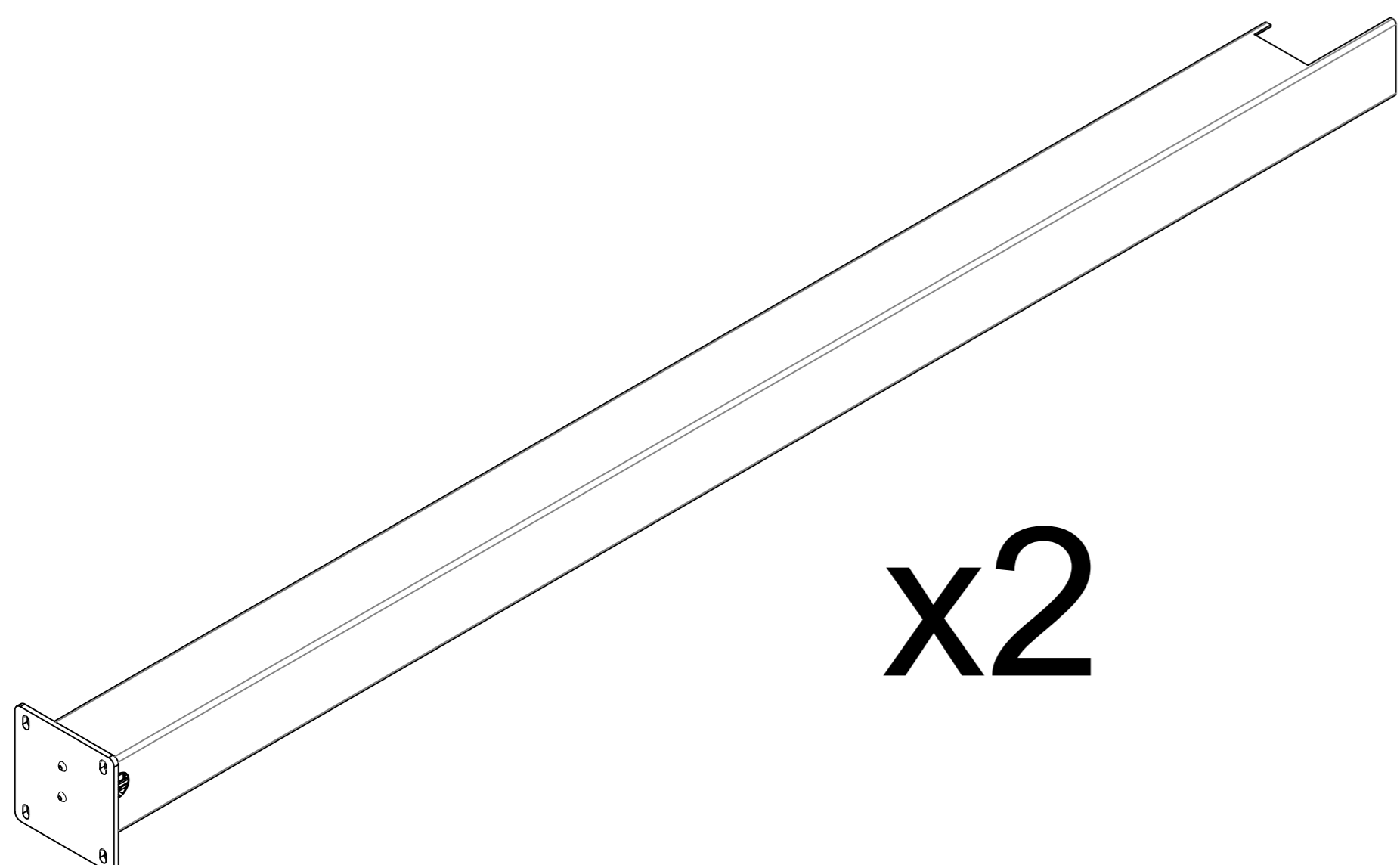
2*5-4

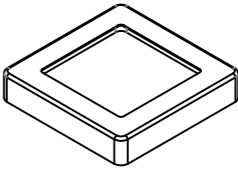
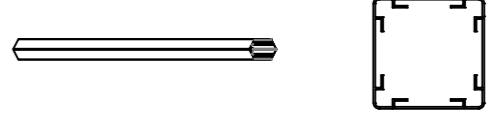
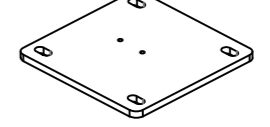
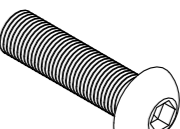


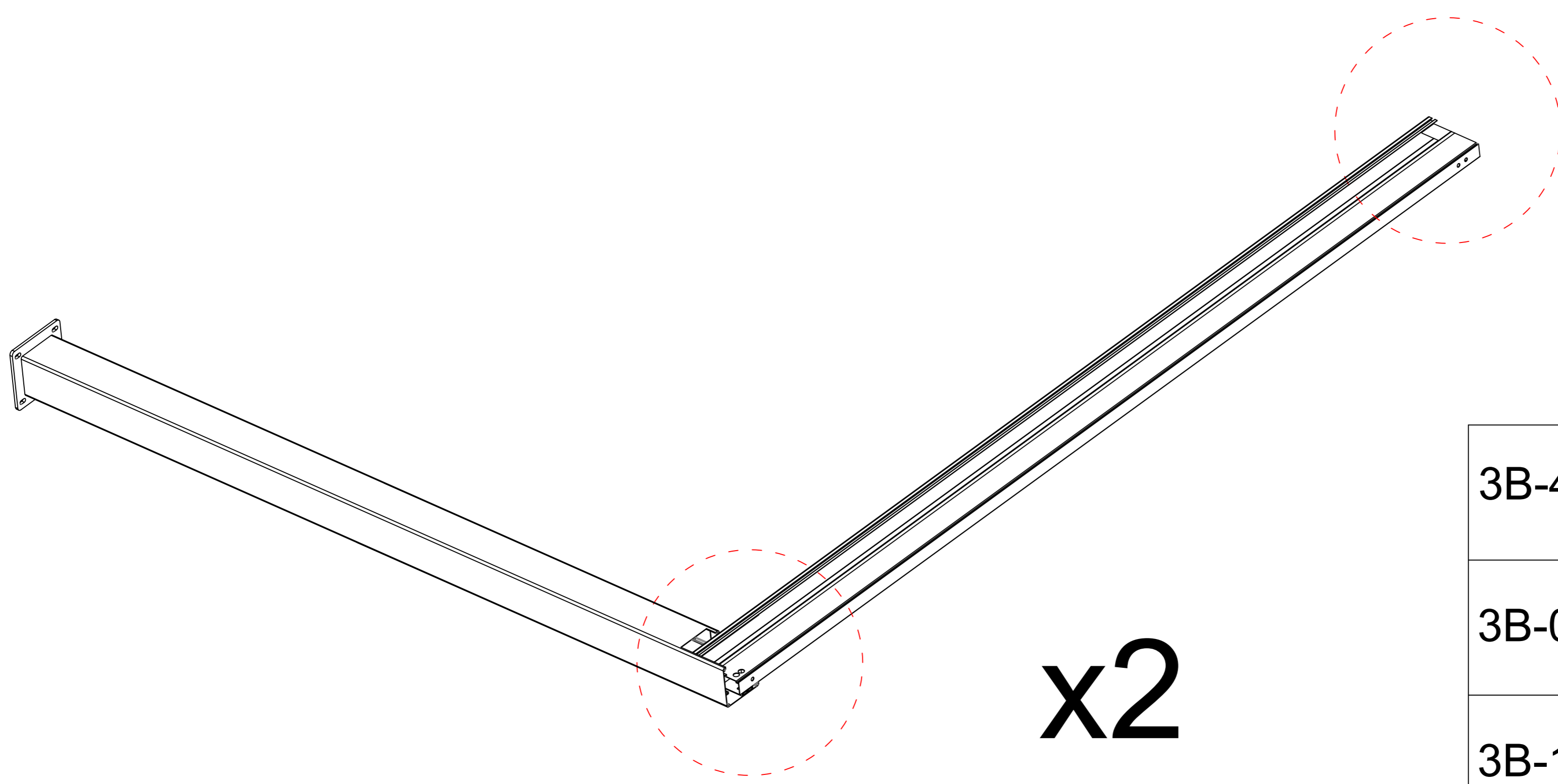
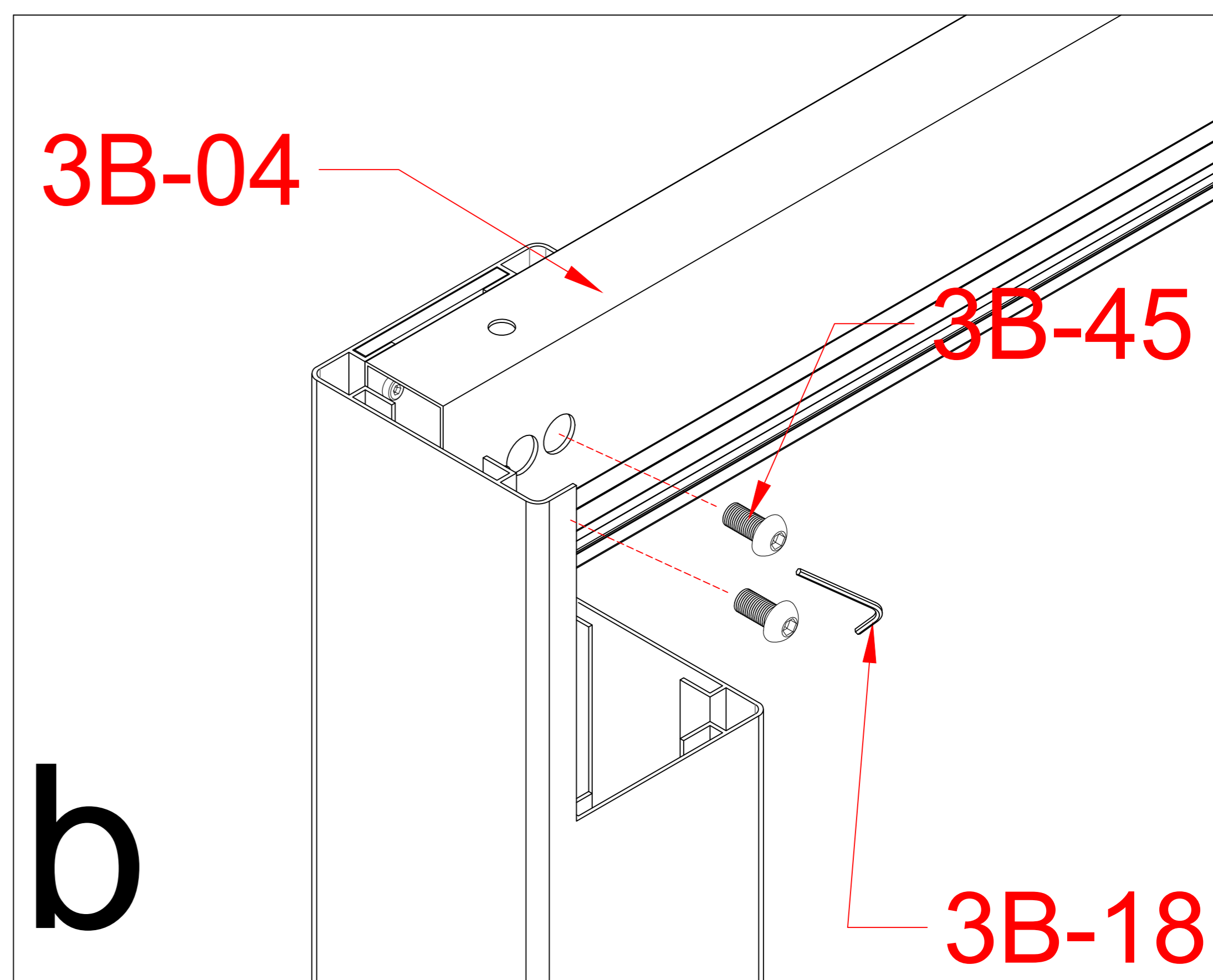
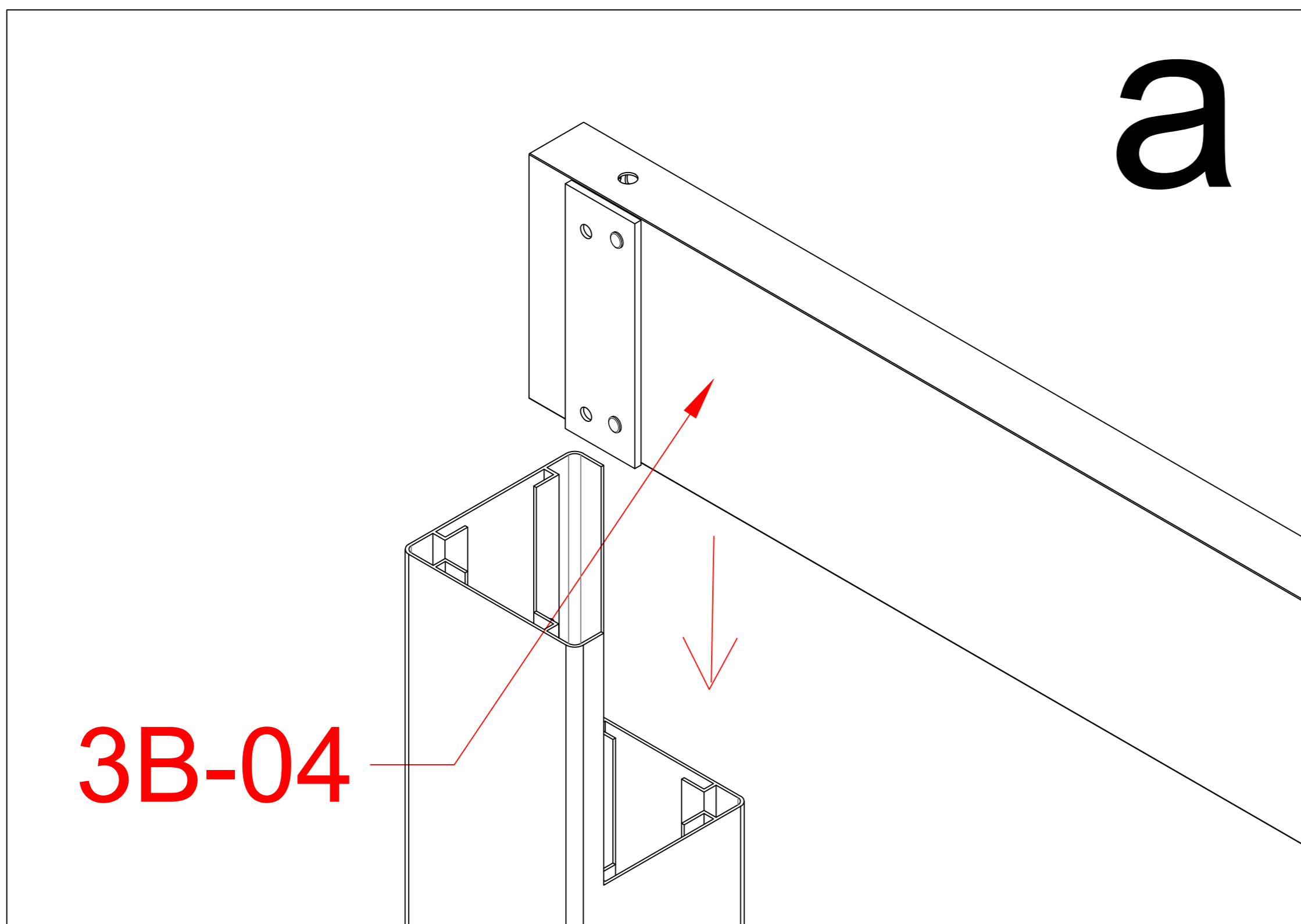
During the installation process, if you encounter any uncertainties, please refer to the installation instructions on the product page of the website.

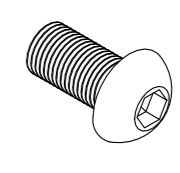




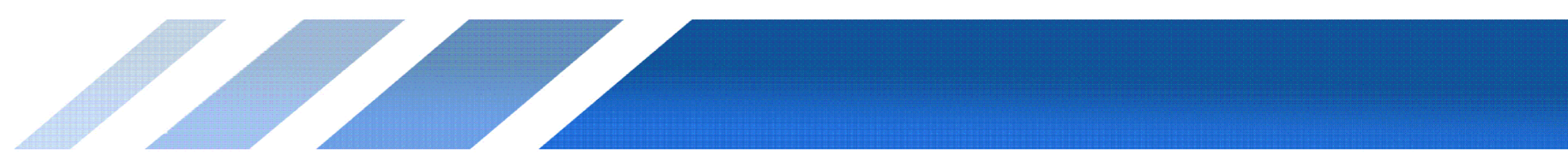
Before installing the base plate, please connect the wires first

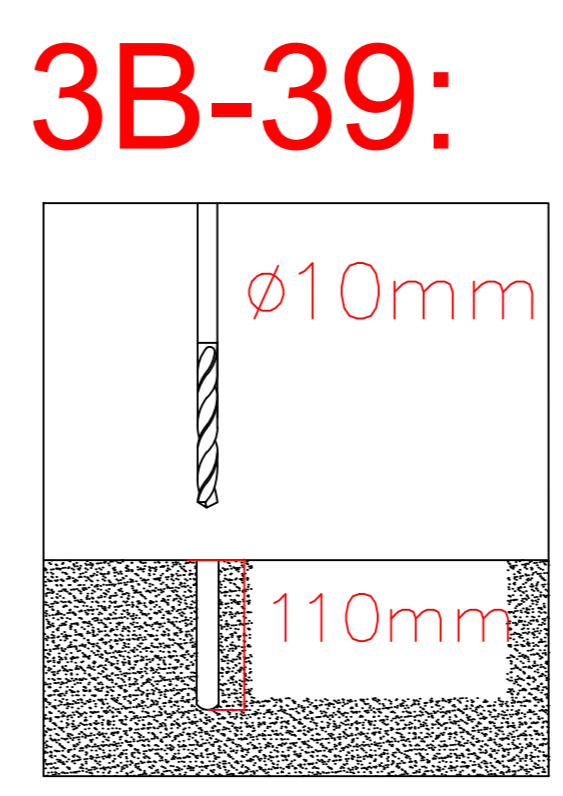
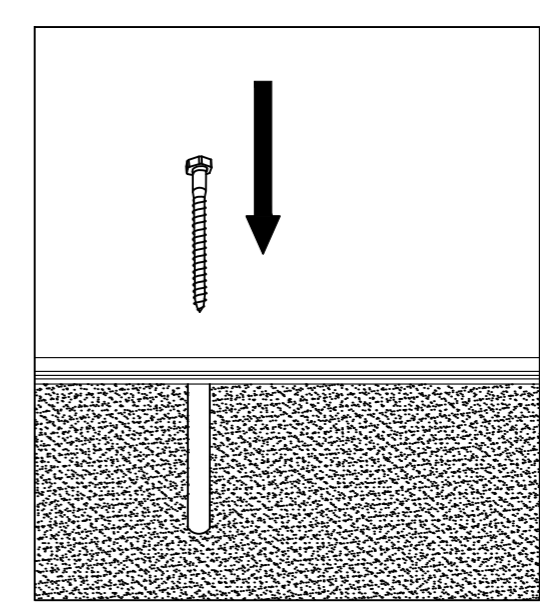
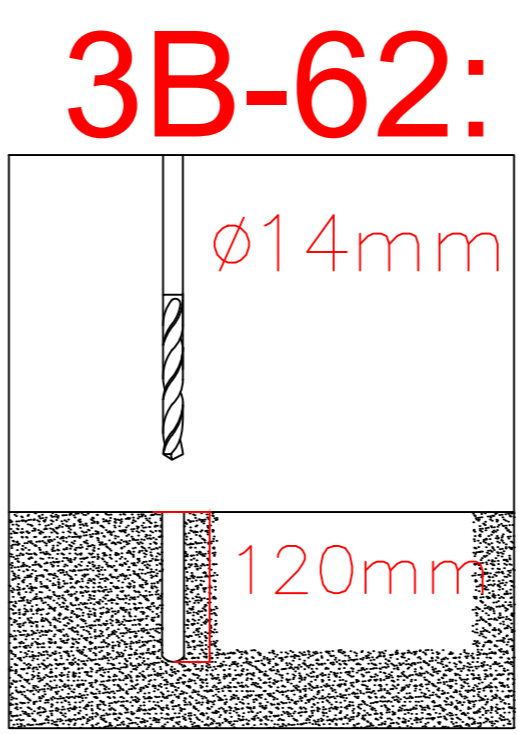
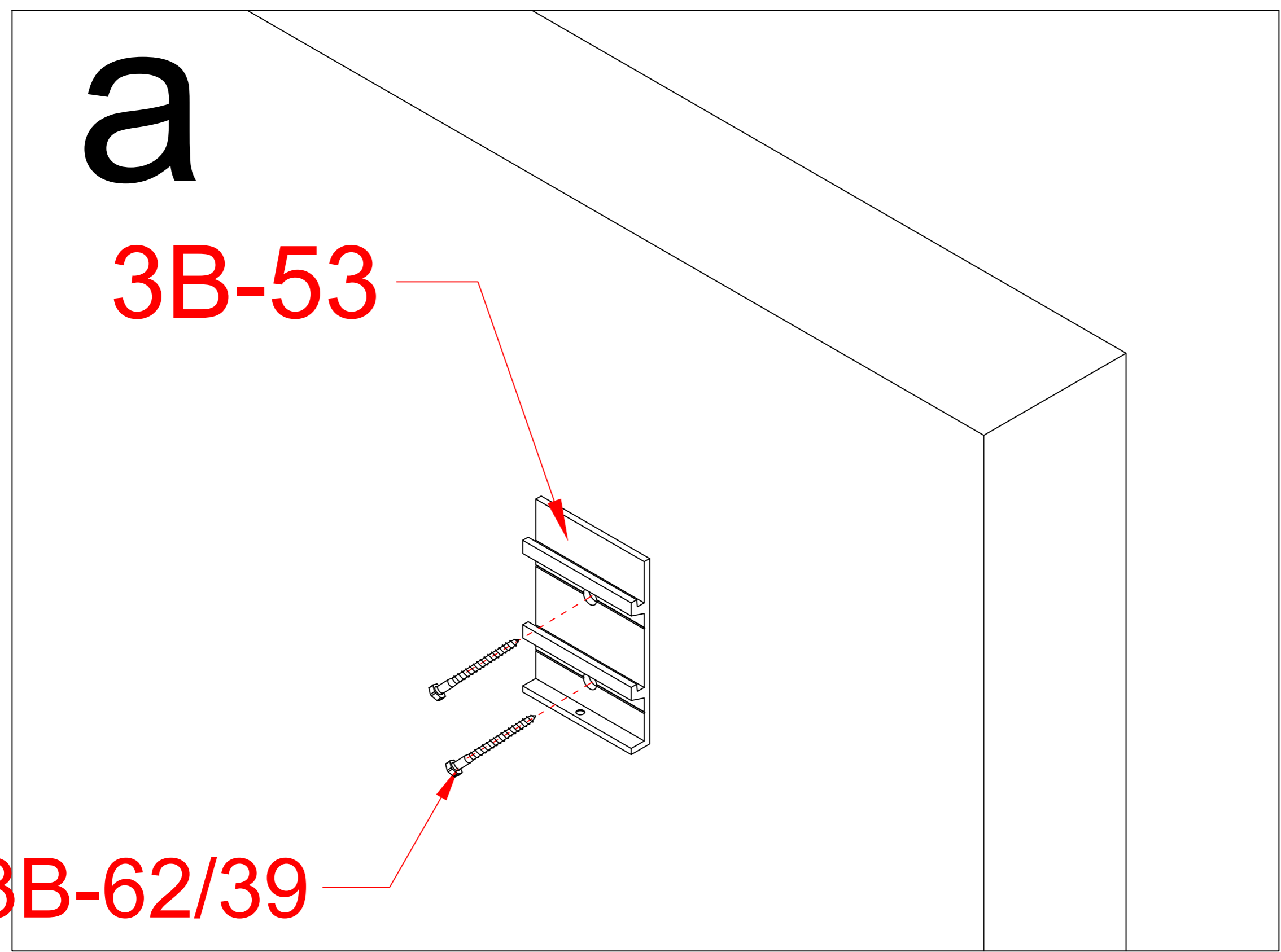


3B-46		2
3B-01/ 01B		2
3B-13		2
3B-19		4



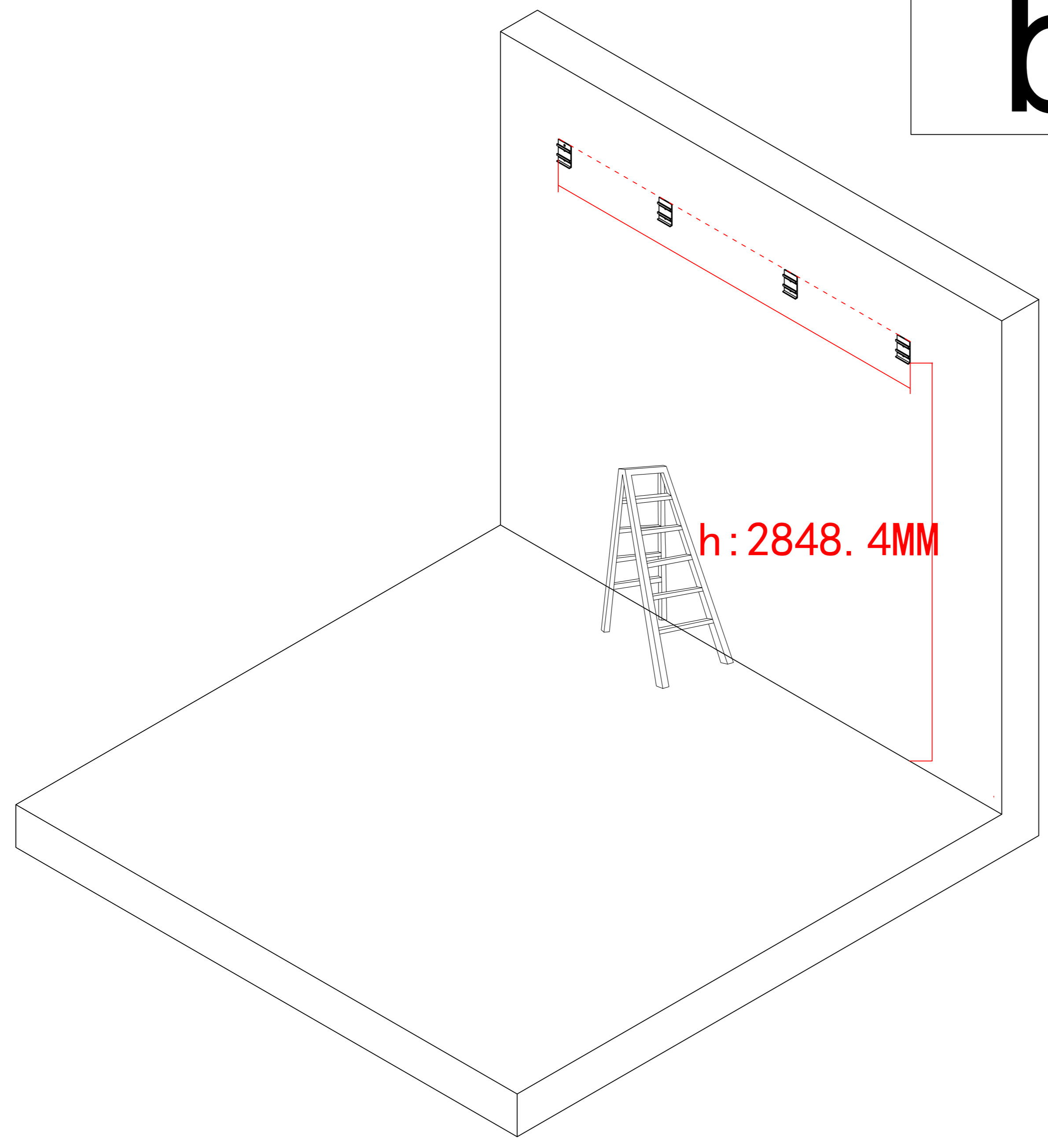
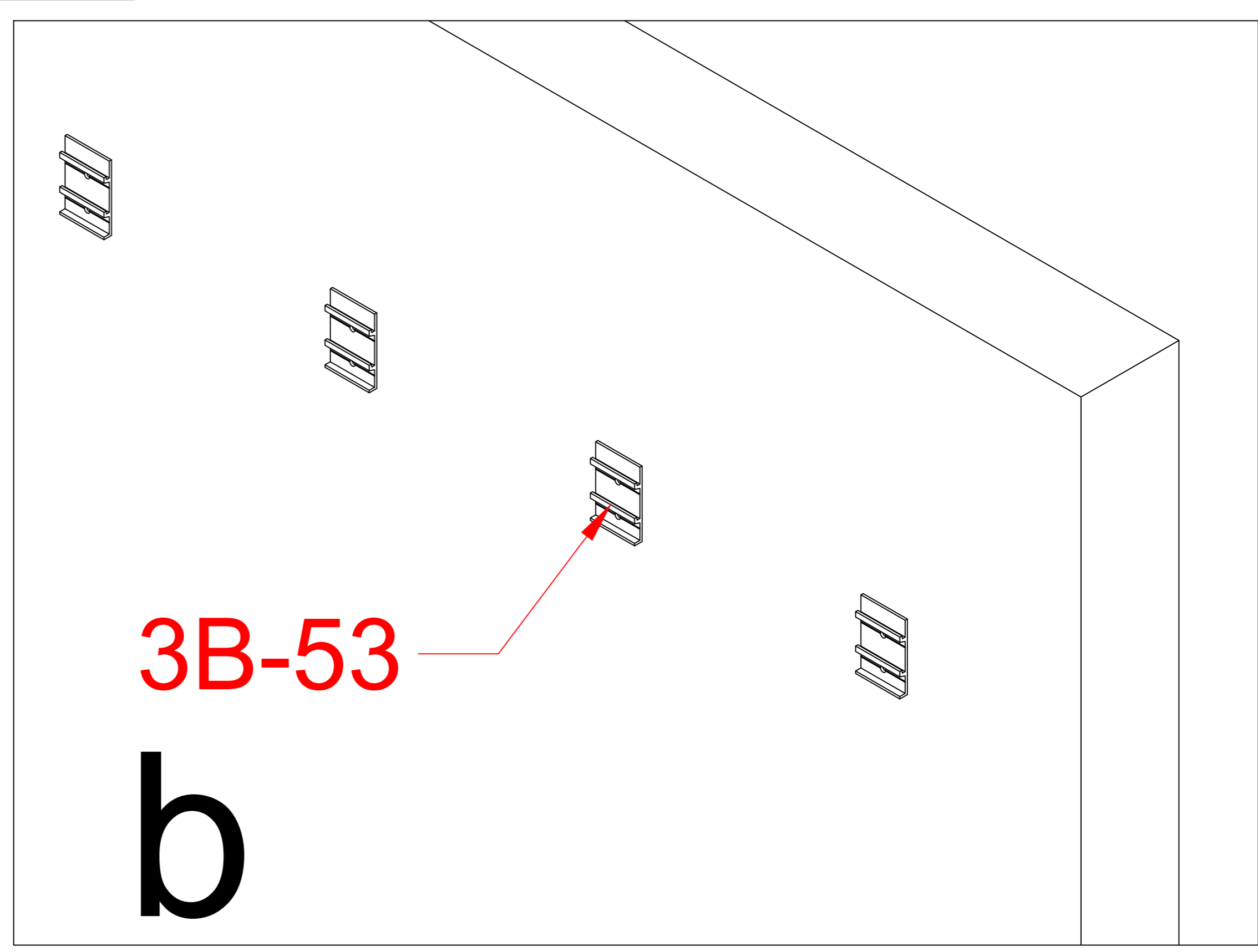
3B-45	 M8*10	4
3B-04		2
3B-18		1



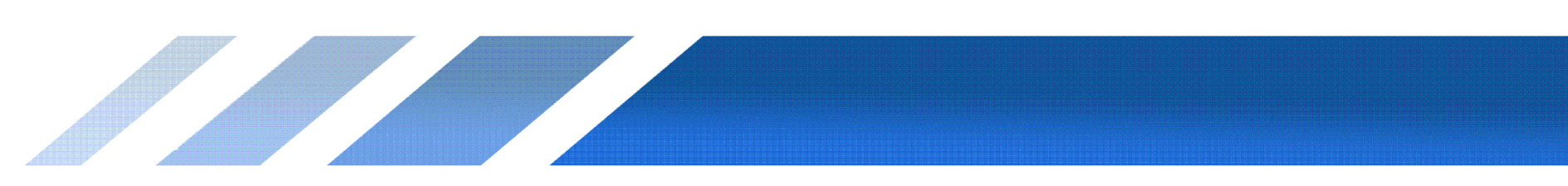


Attention:

1. Before installing here, please ensure that the wall is flat
2. If it is a wooden wall, please use 3B-62, and if it is the Cement wall, please use 3B-39
3. When installing on wooden walls, cap for expansion bolt does not need to be used.

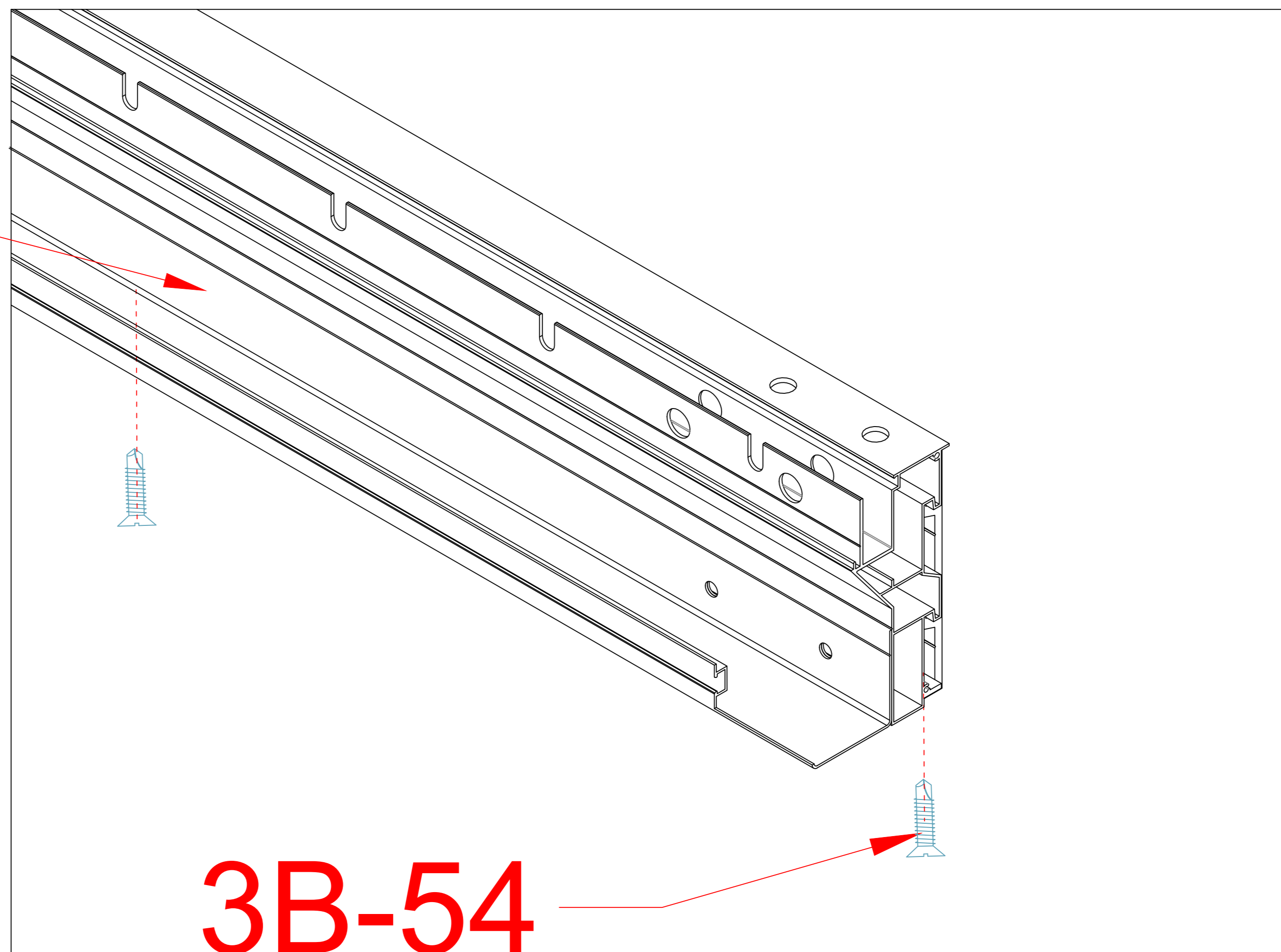


3B-39	
3B-62	 M14*75 M10*100
3B-53	

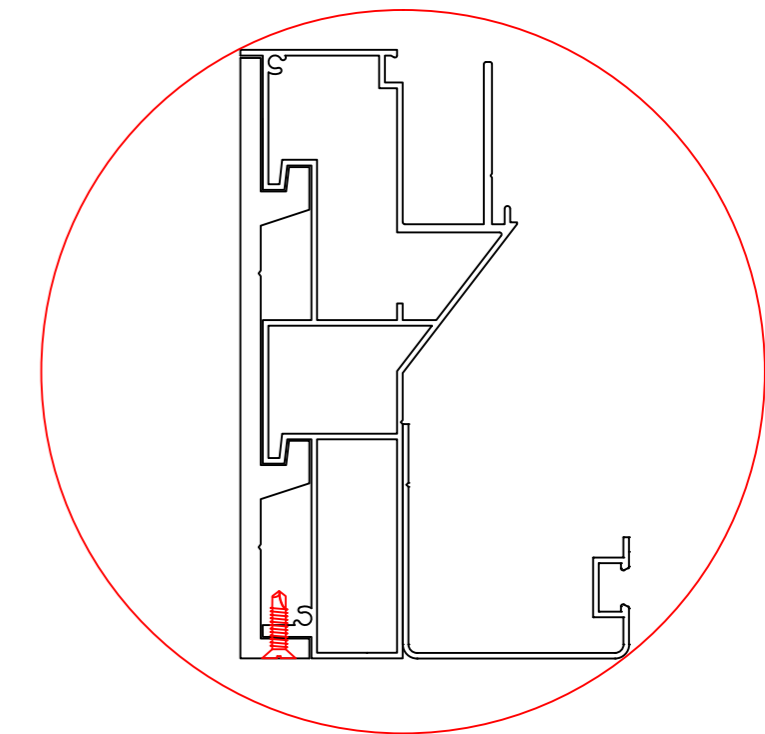




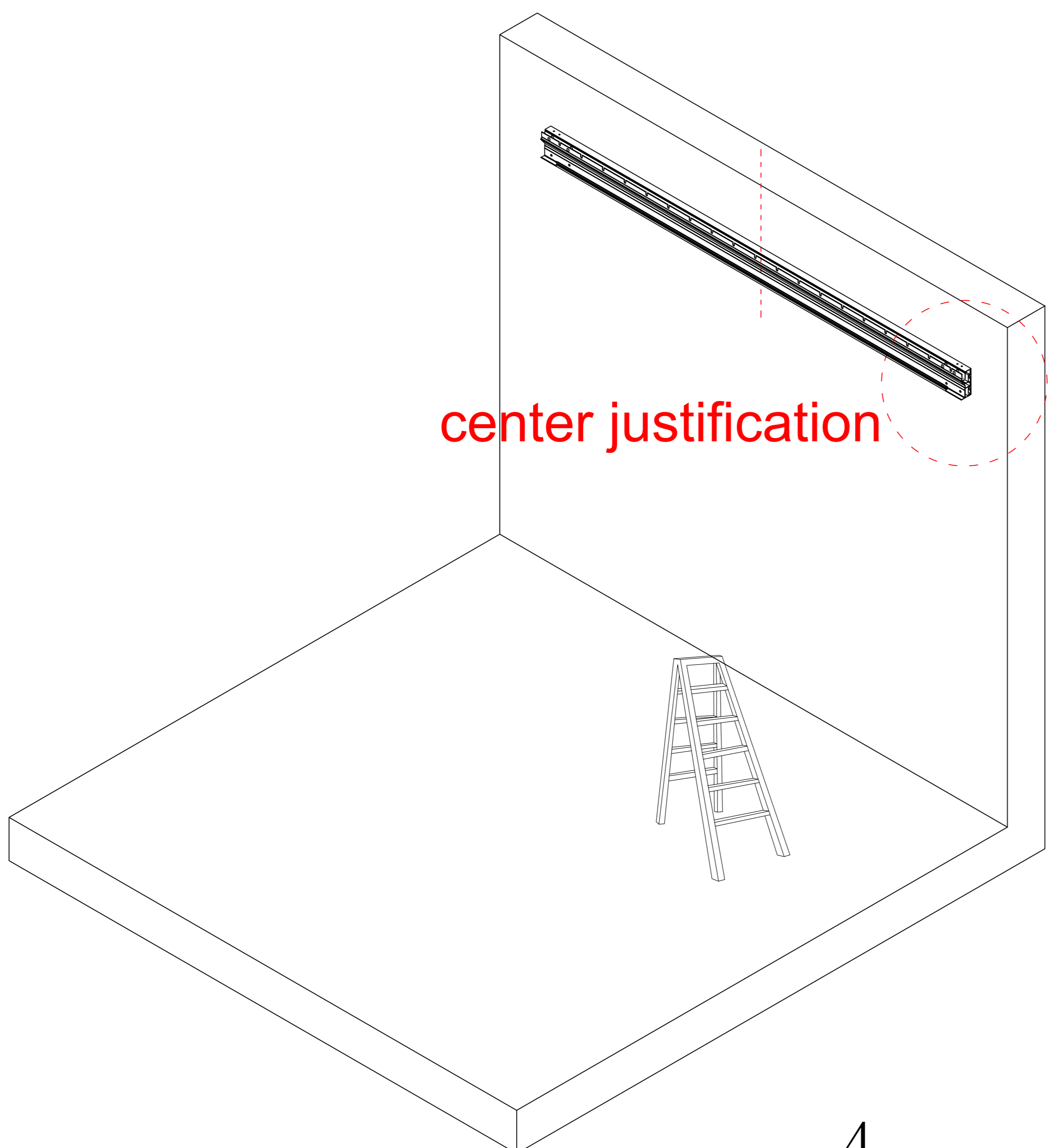
3B-02

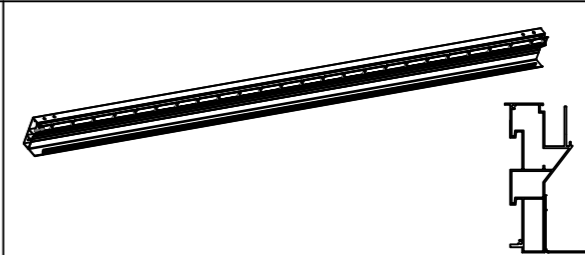
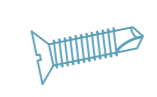


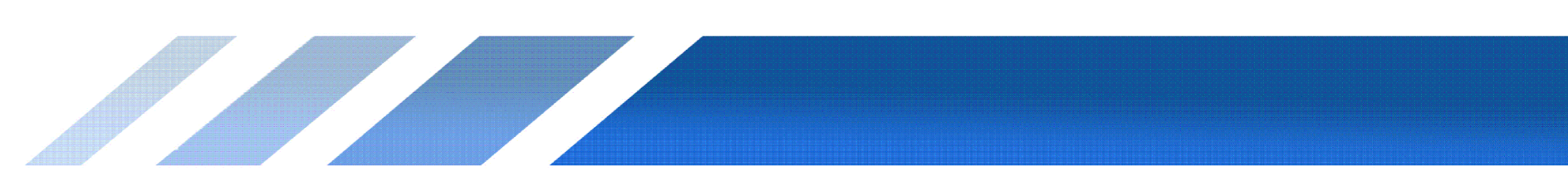
3B-54

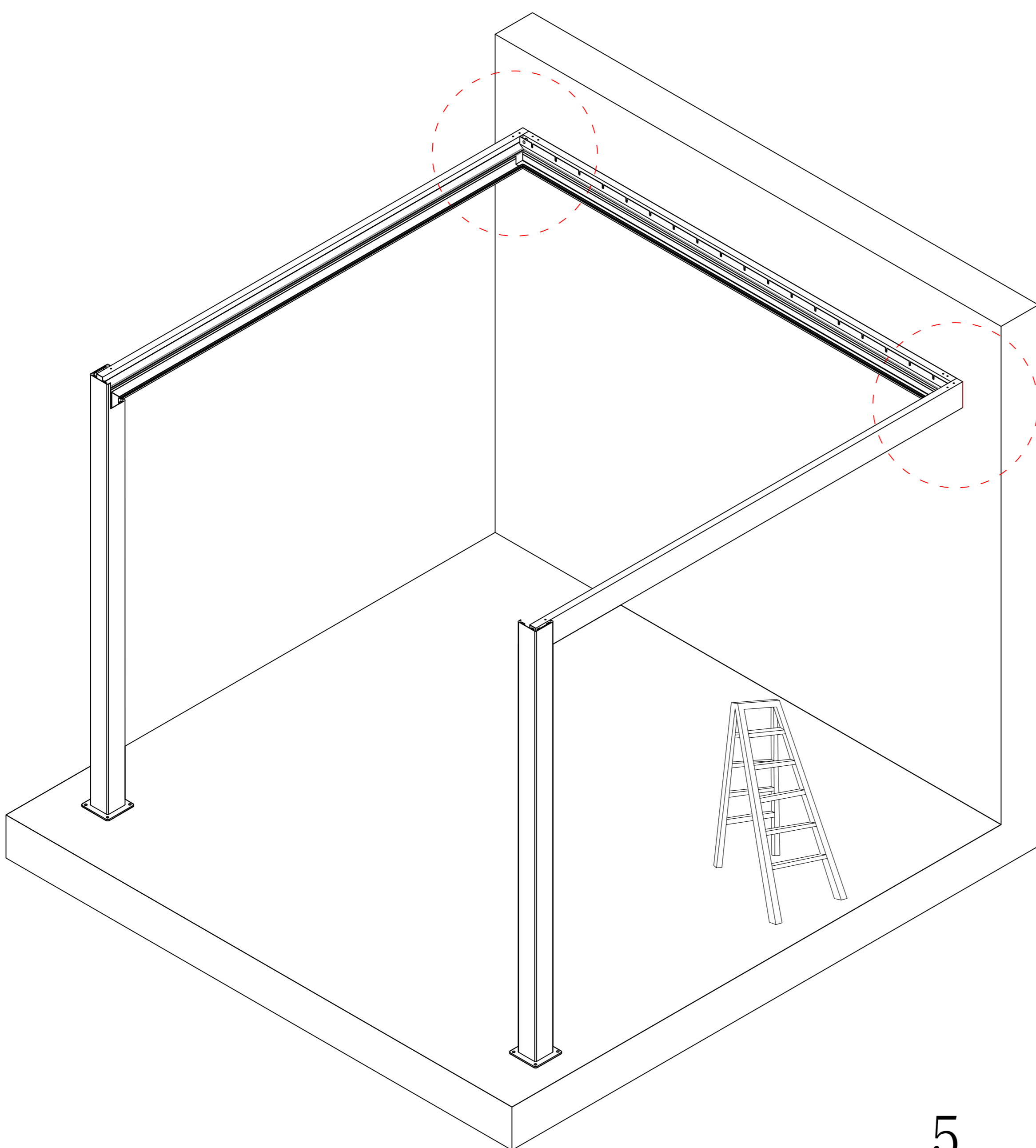
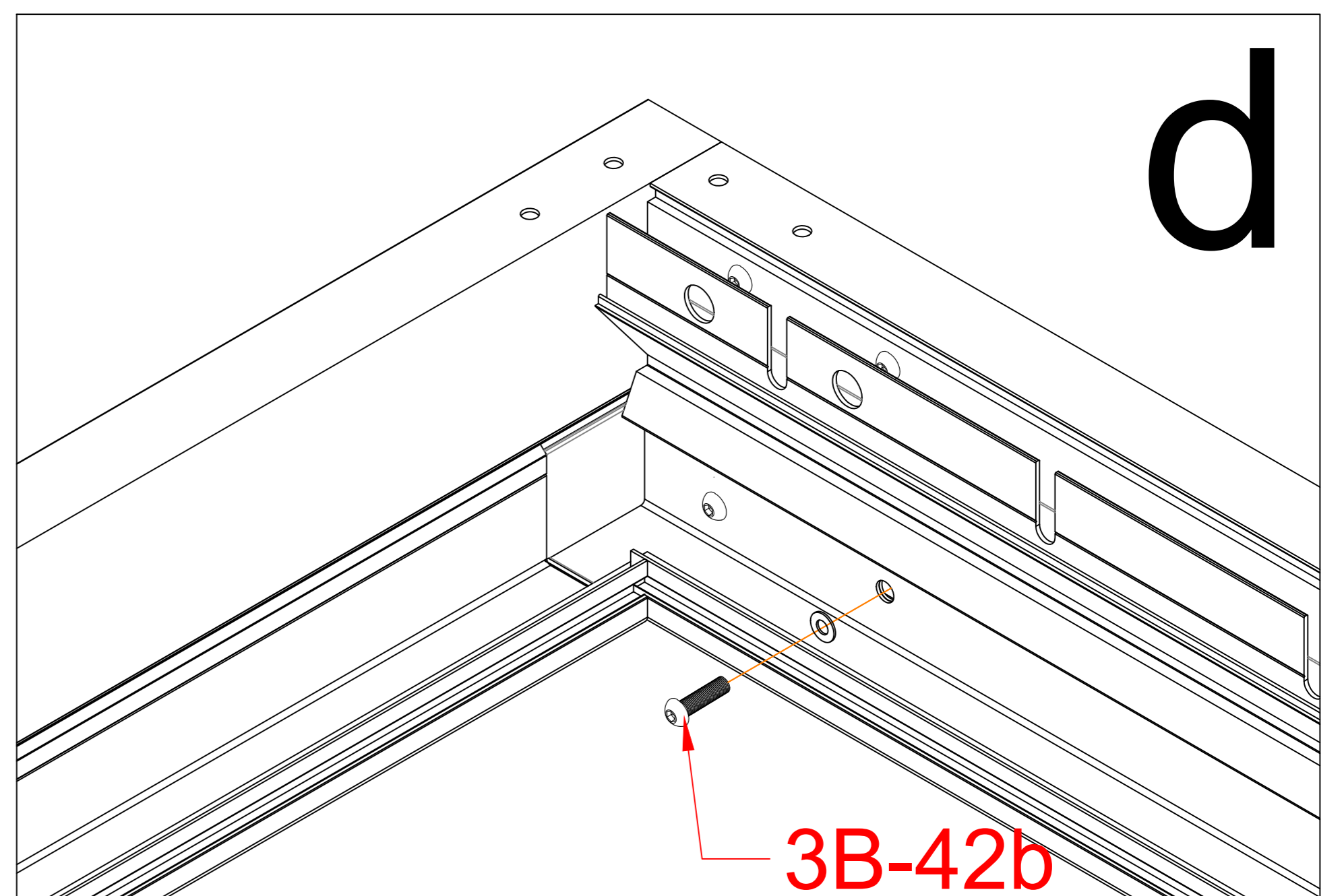
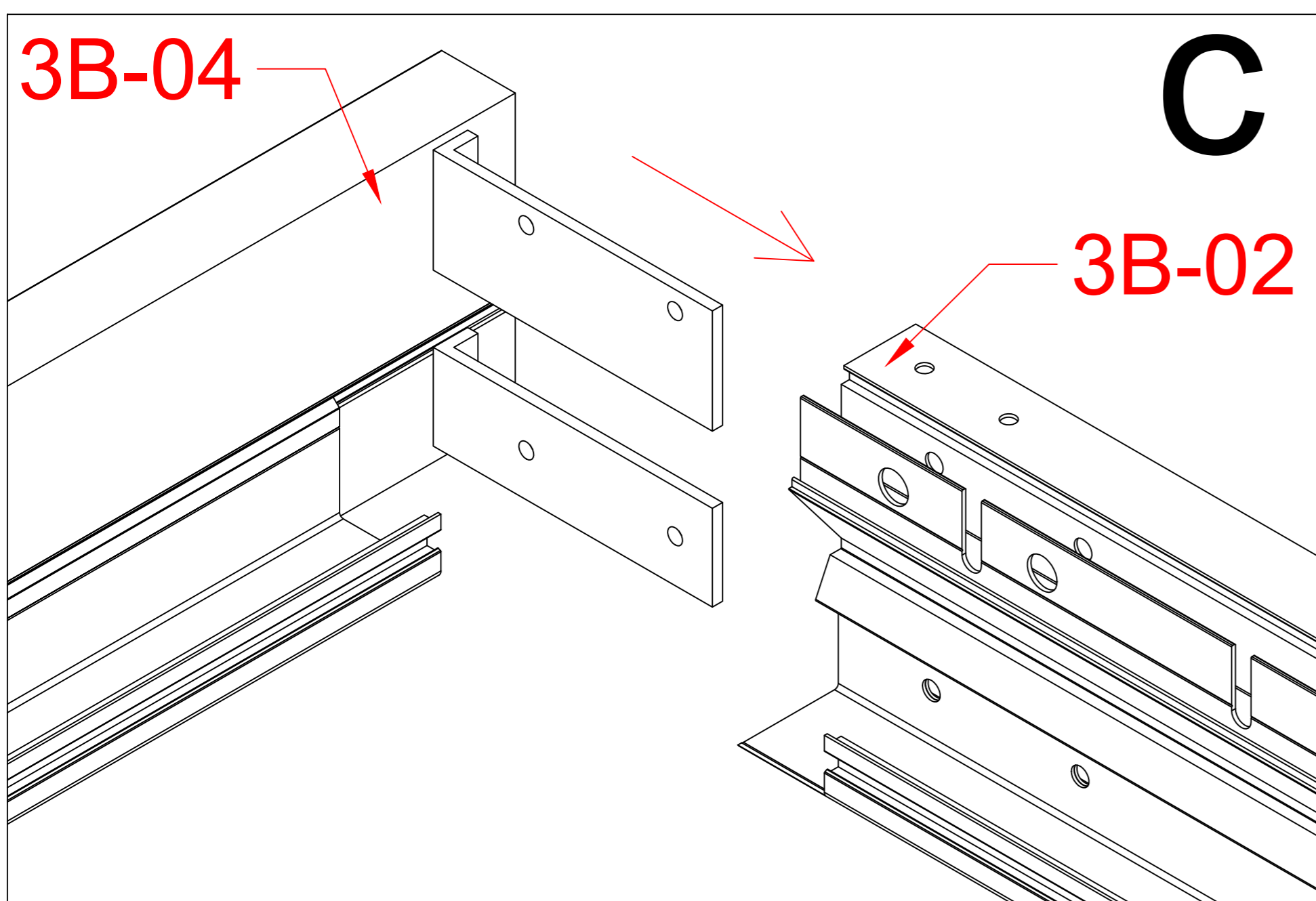
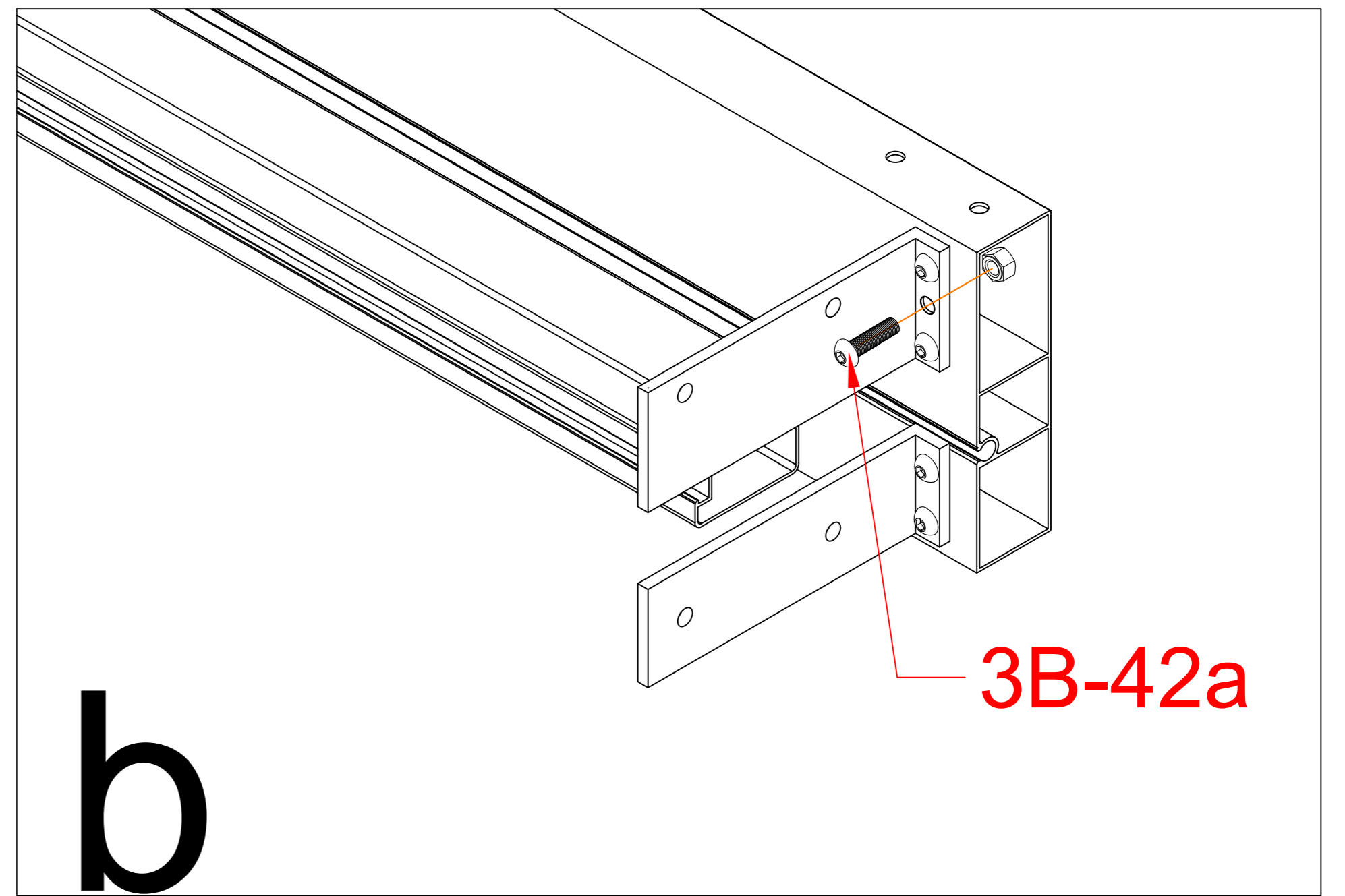
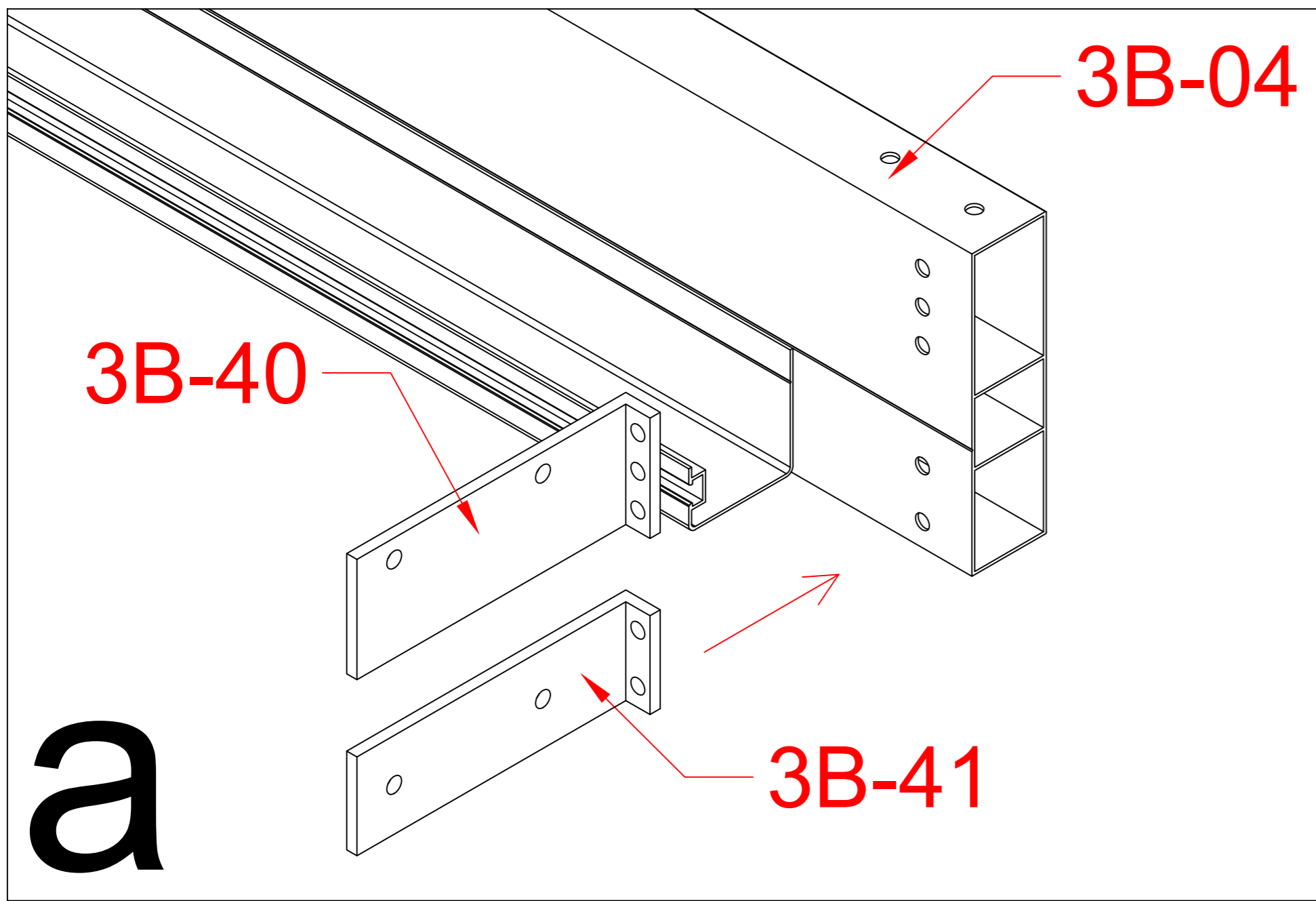


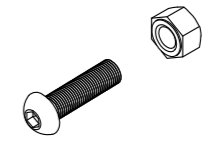

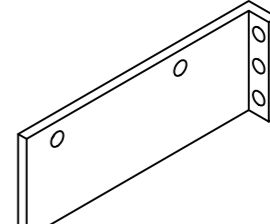
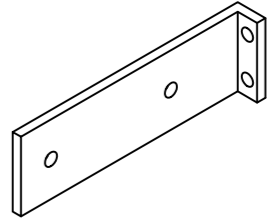
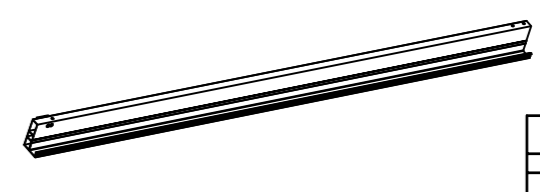
center justification

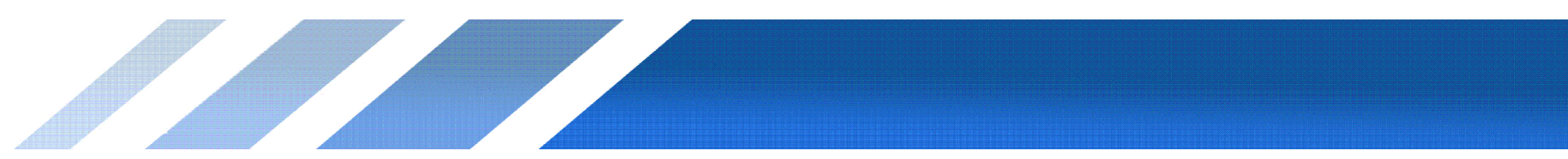


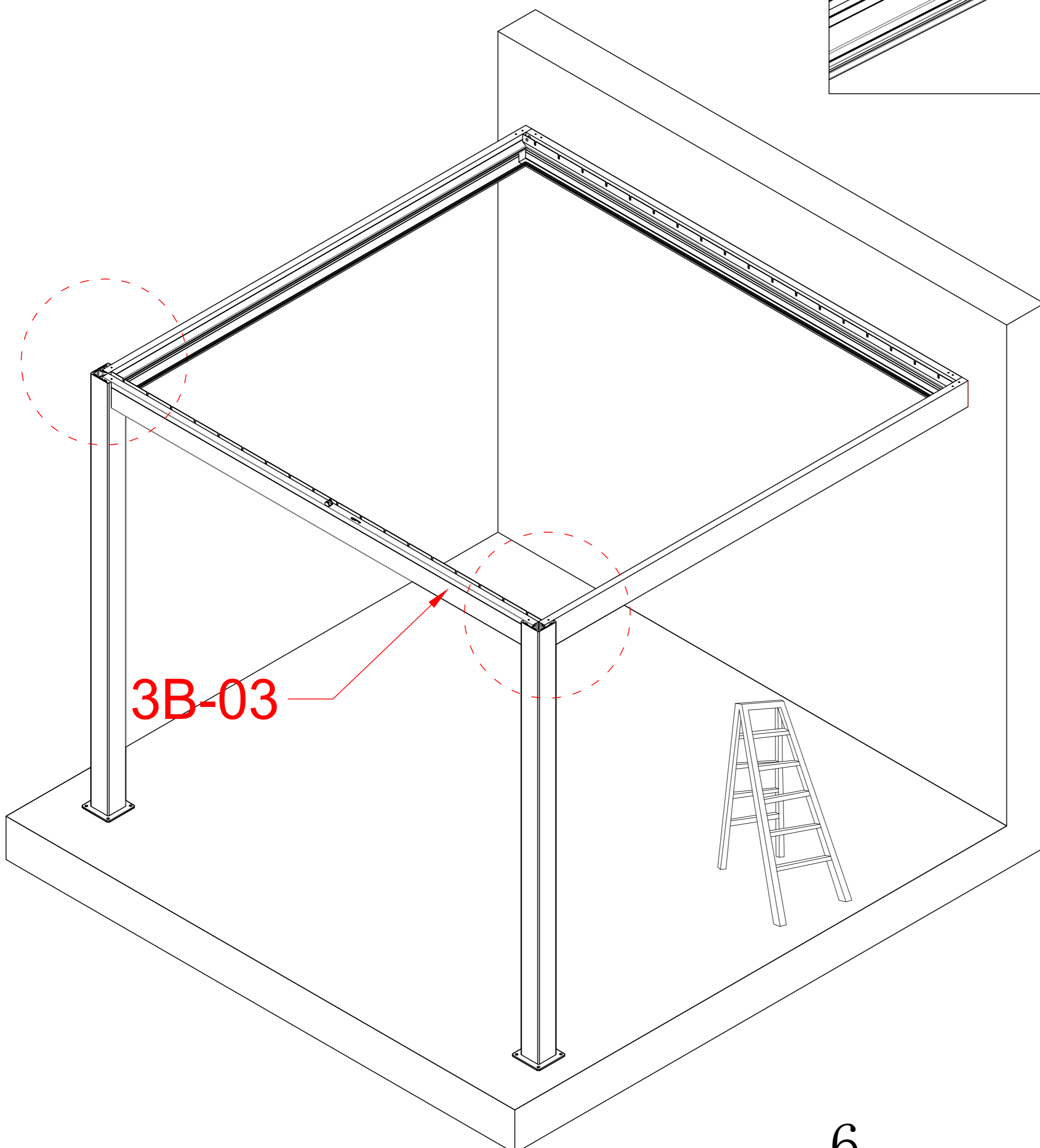
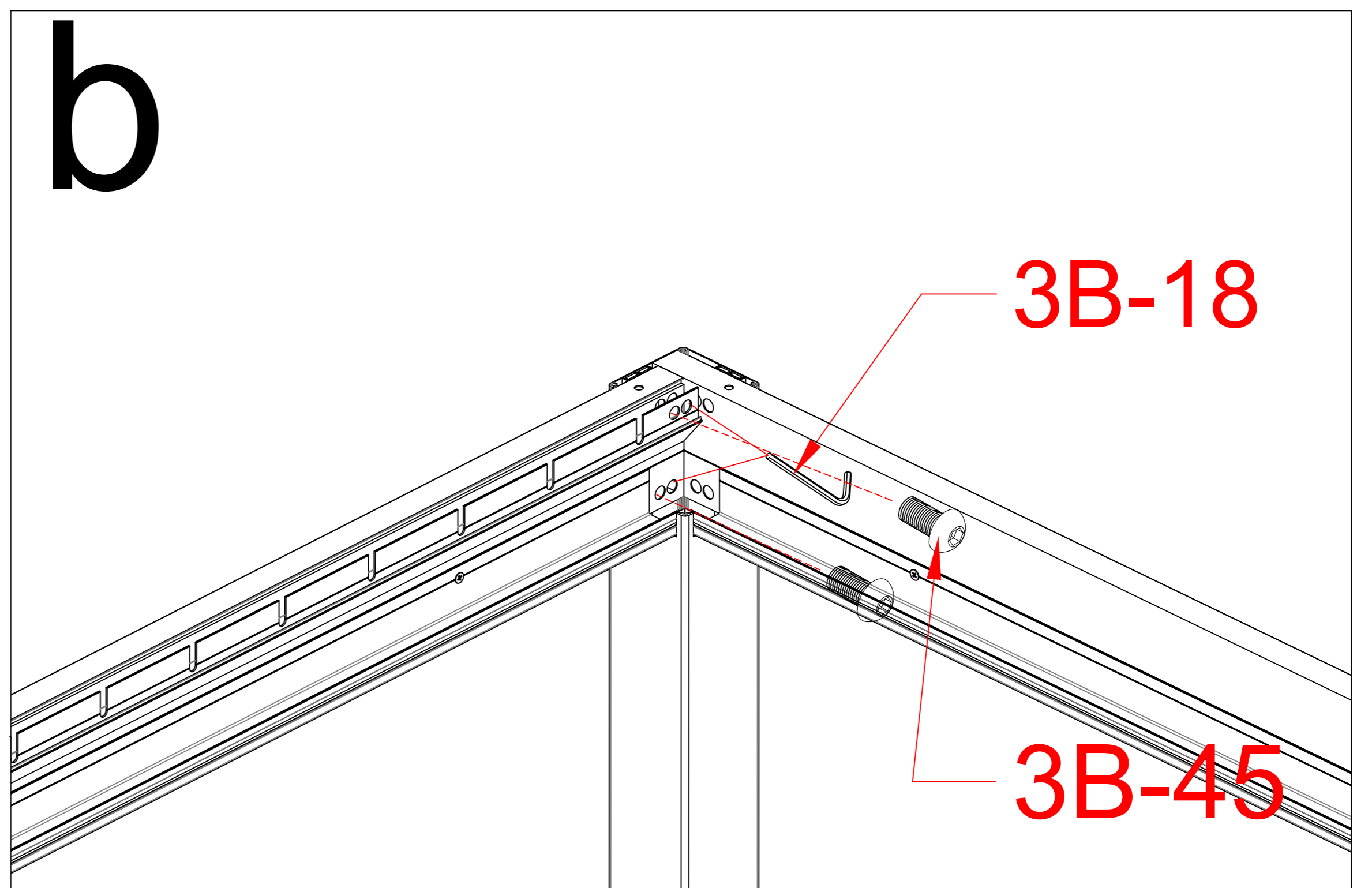
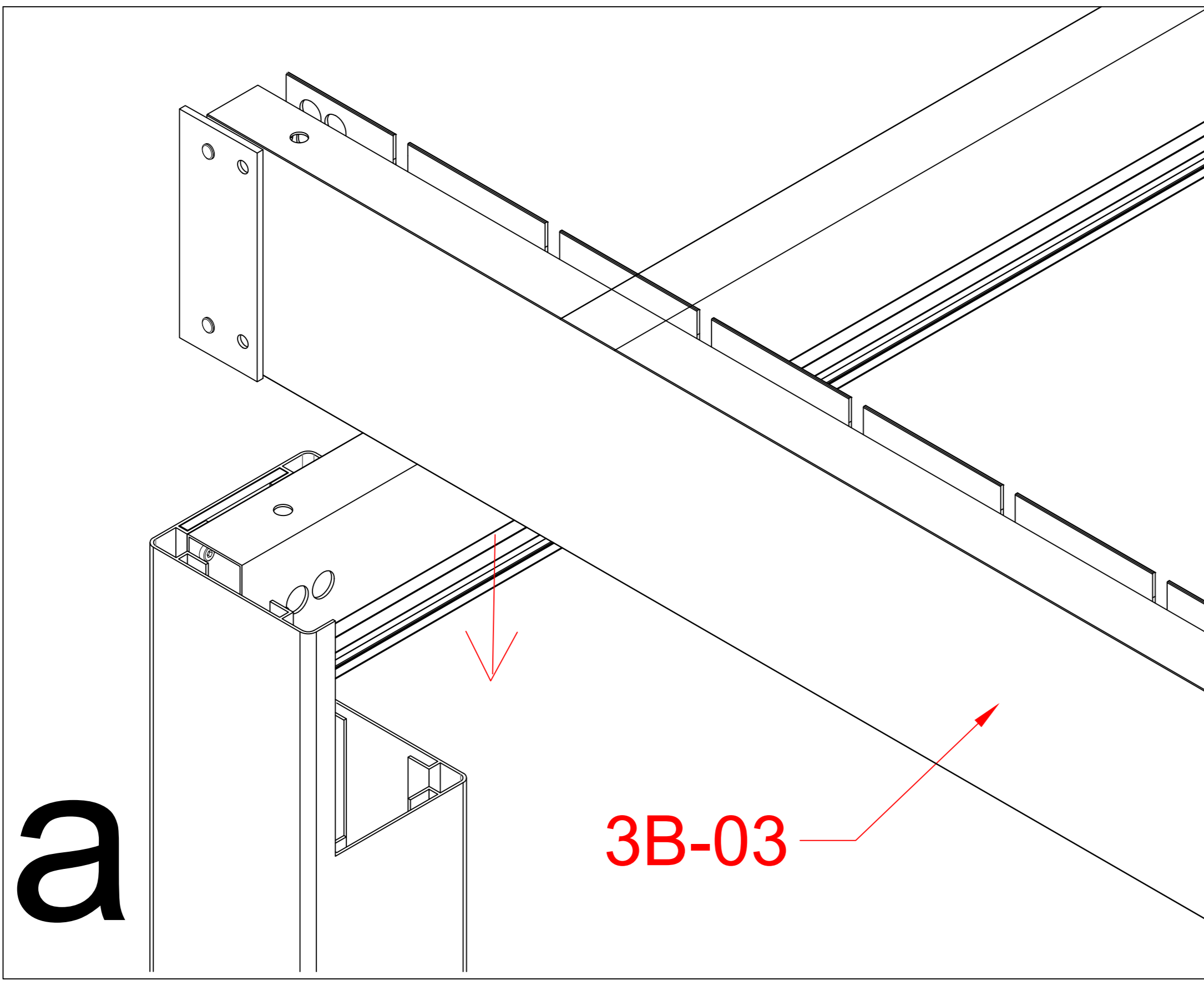
3B-02		1
3B-54	 M4.2*25	X

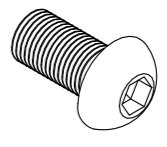
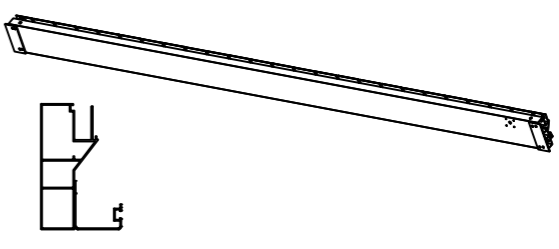


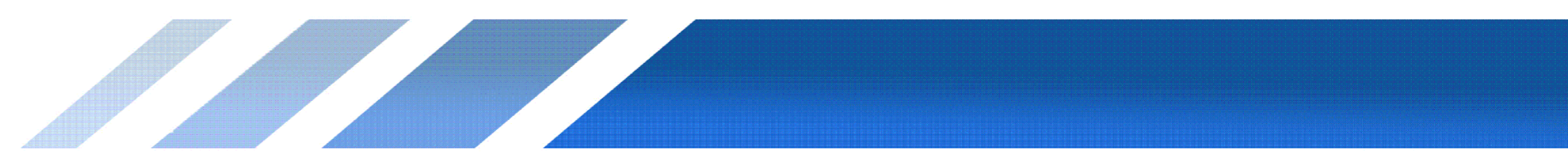


3B-42a	 M6*16	10
3B-42b	 M6*16 P	8
3B-40		2
3B-41		2
3B-04		2





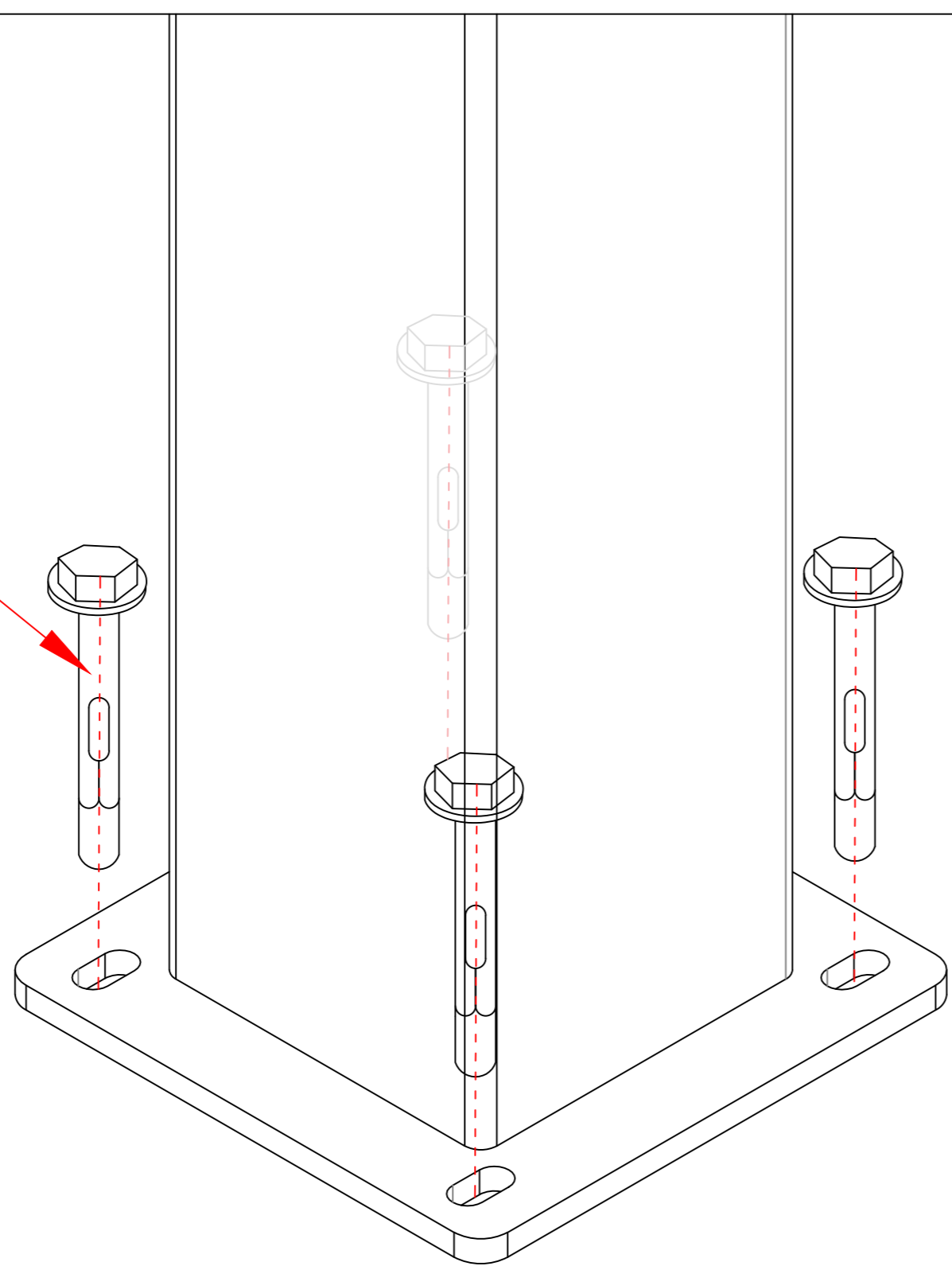
3B-45	 M8*10	4
3B-02		1





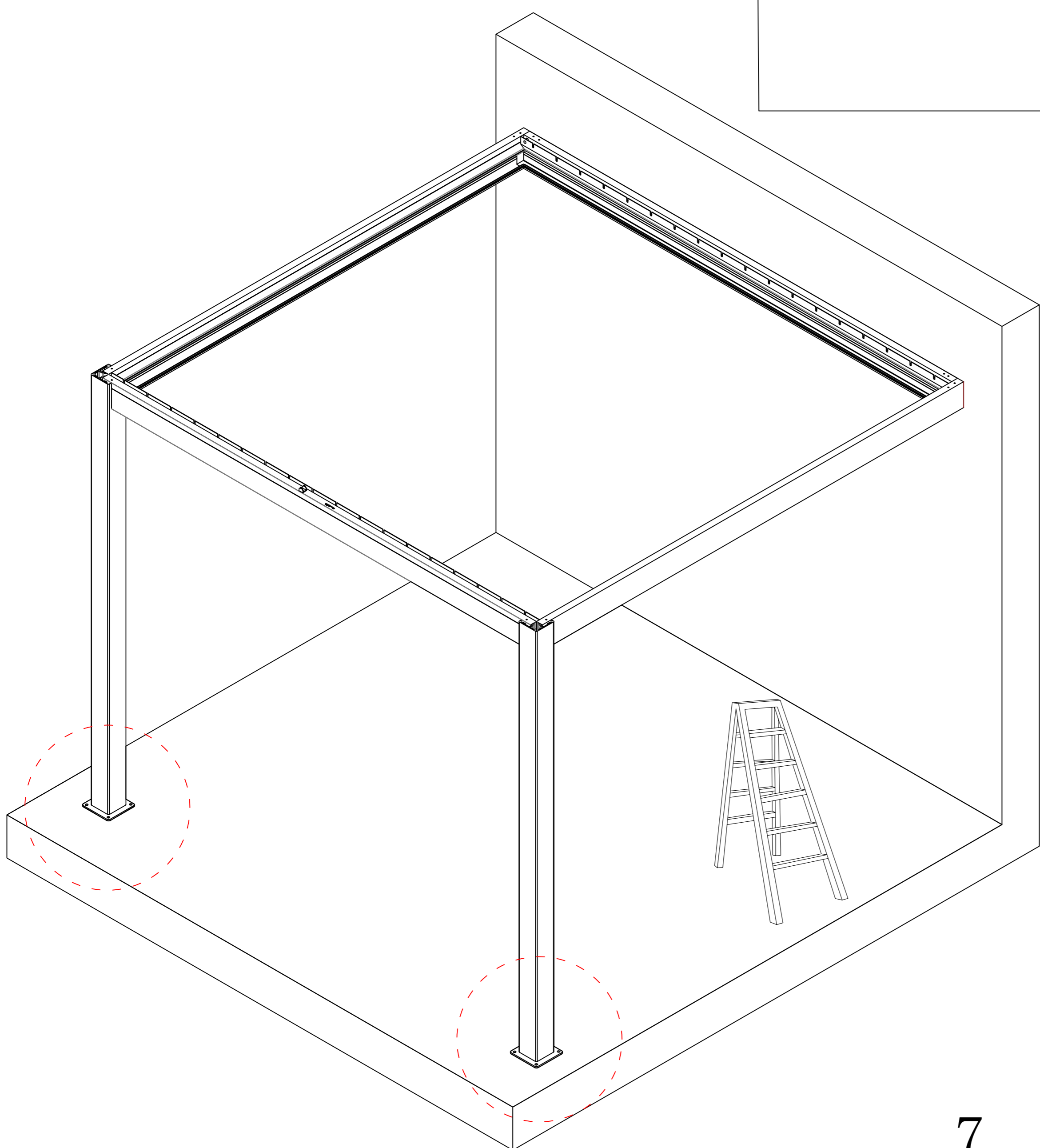
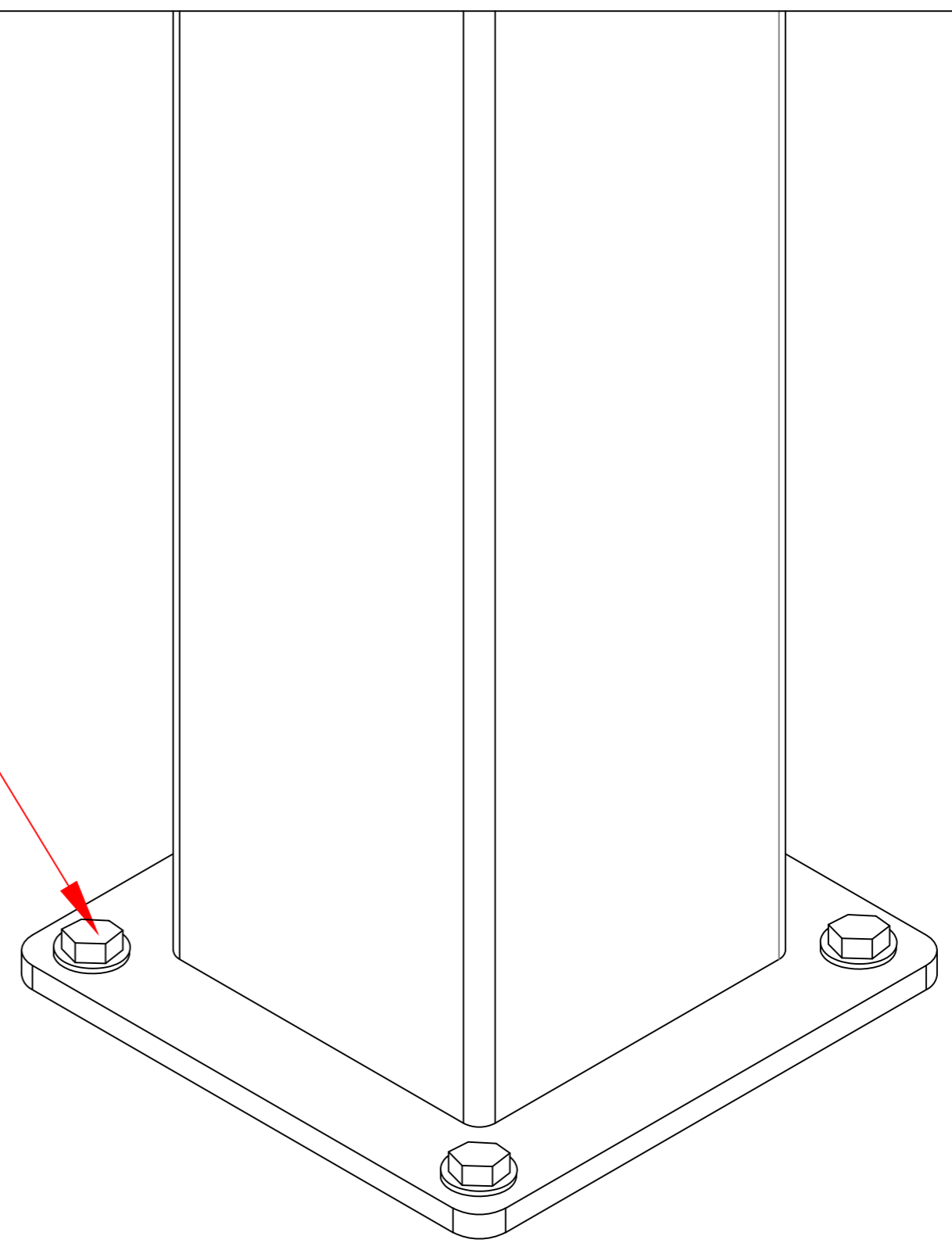
a

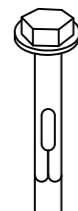
3B-21

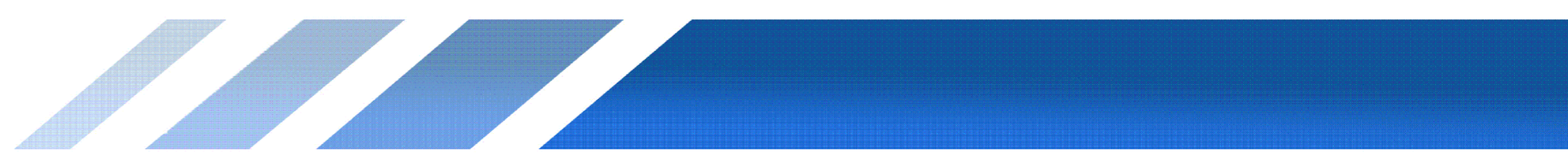


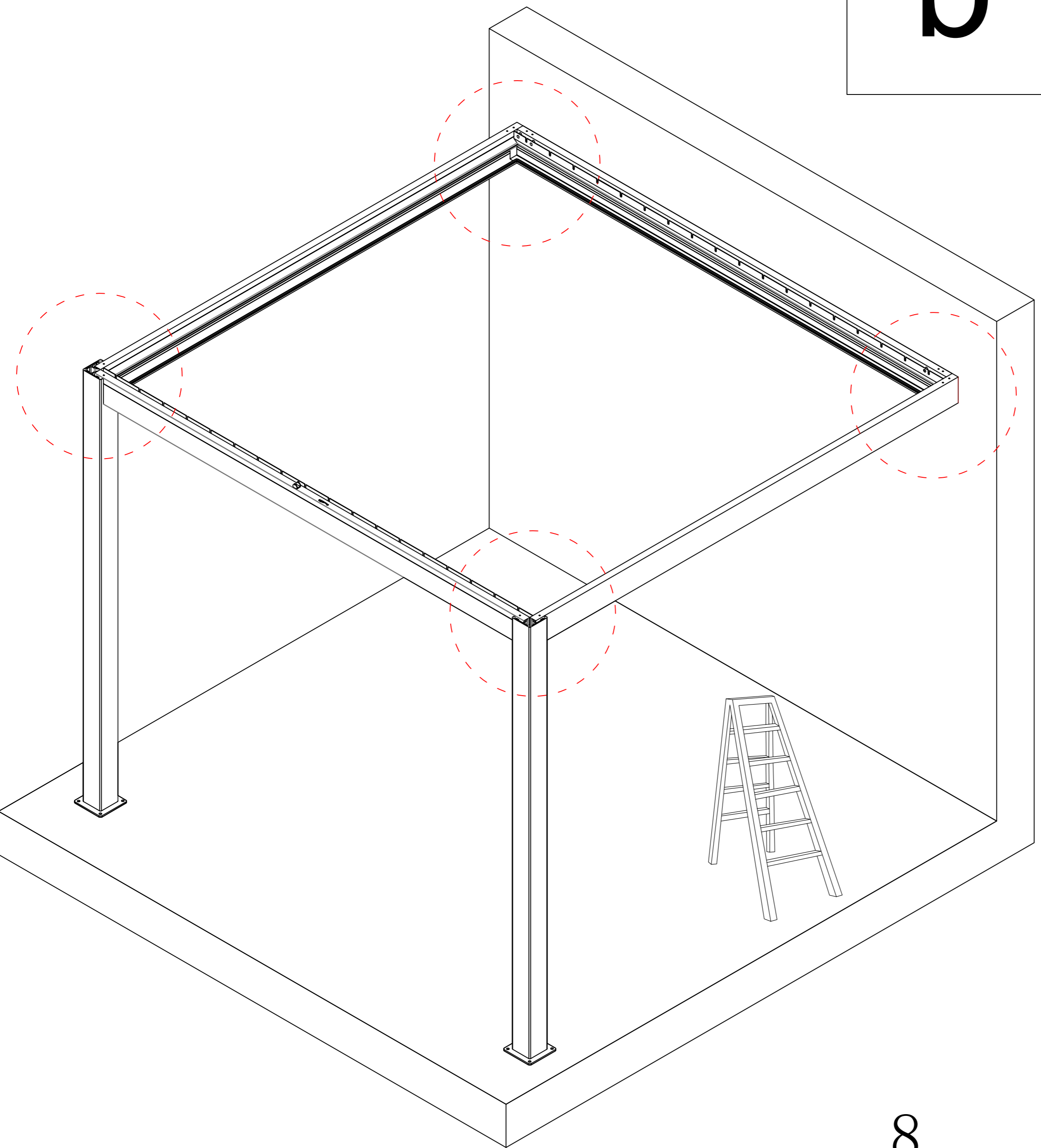
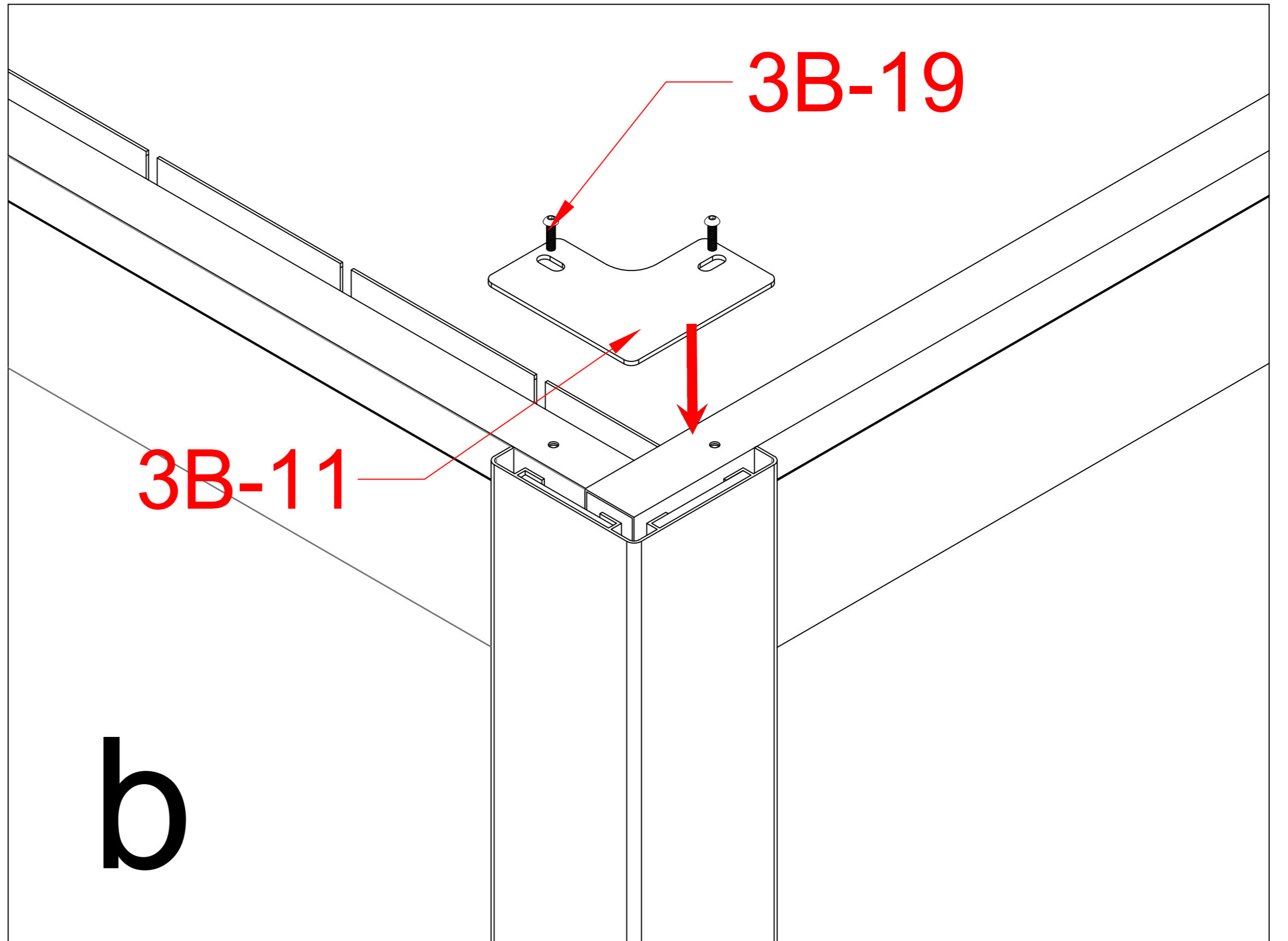
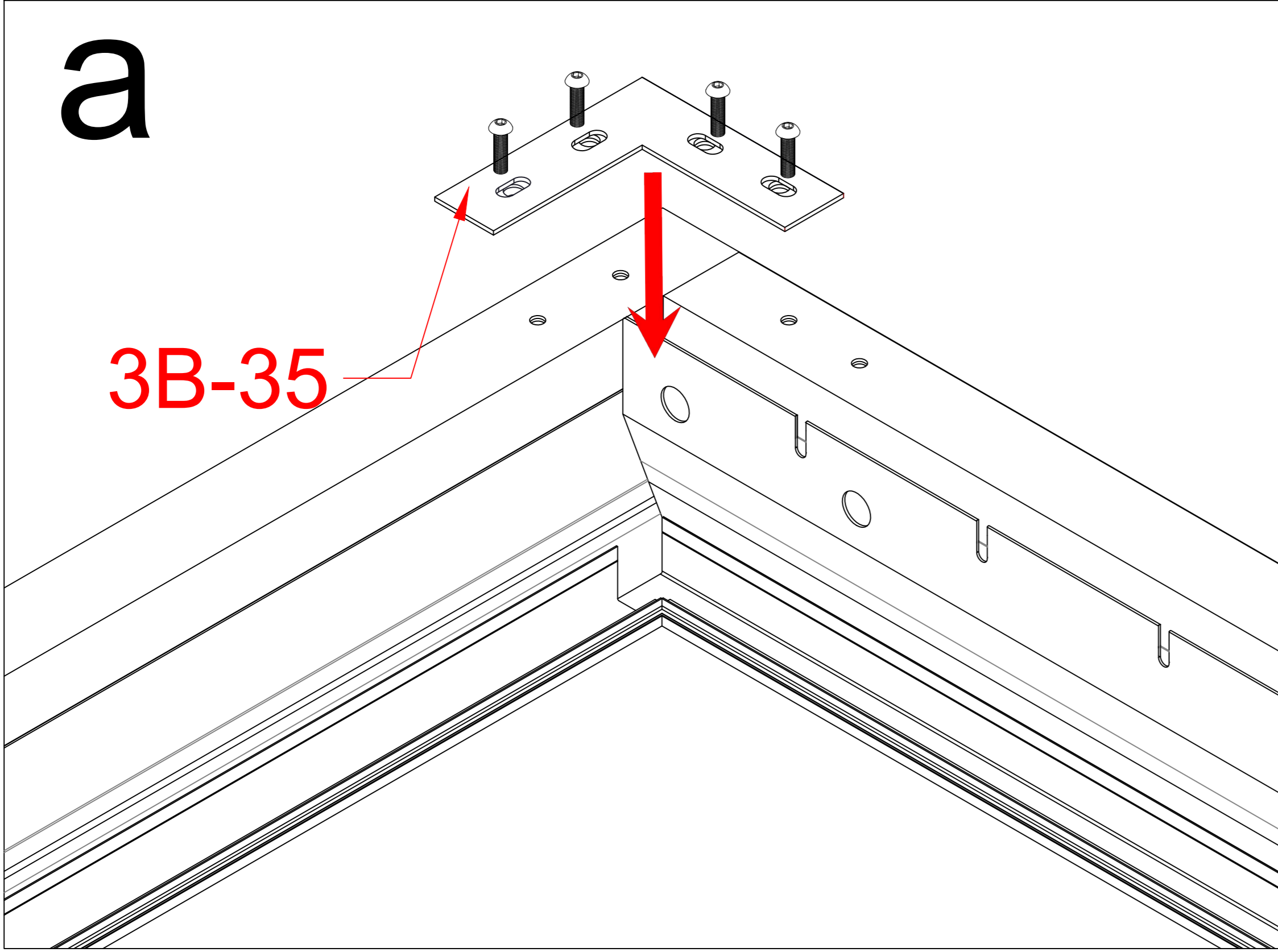
b

3B-21



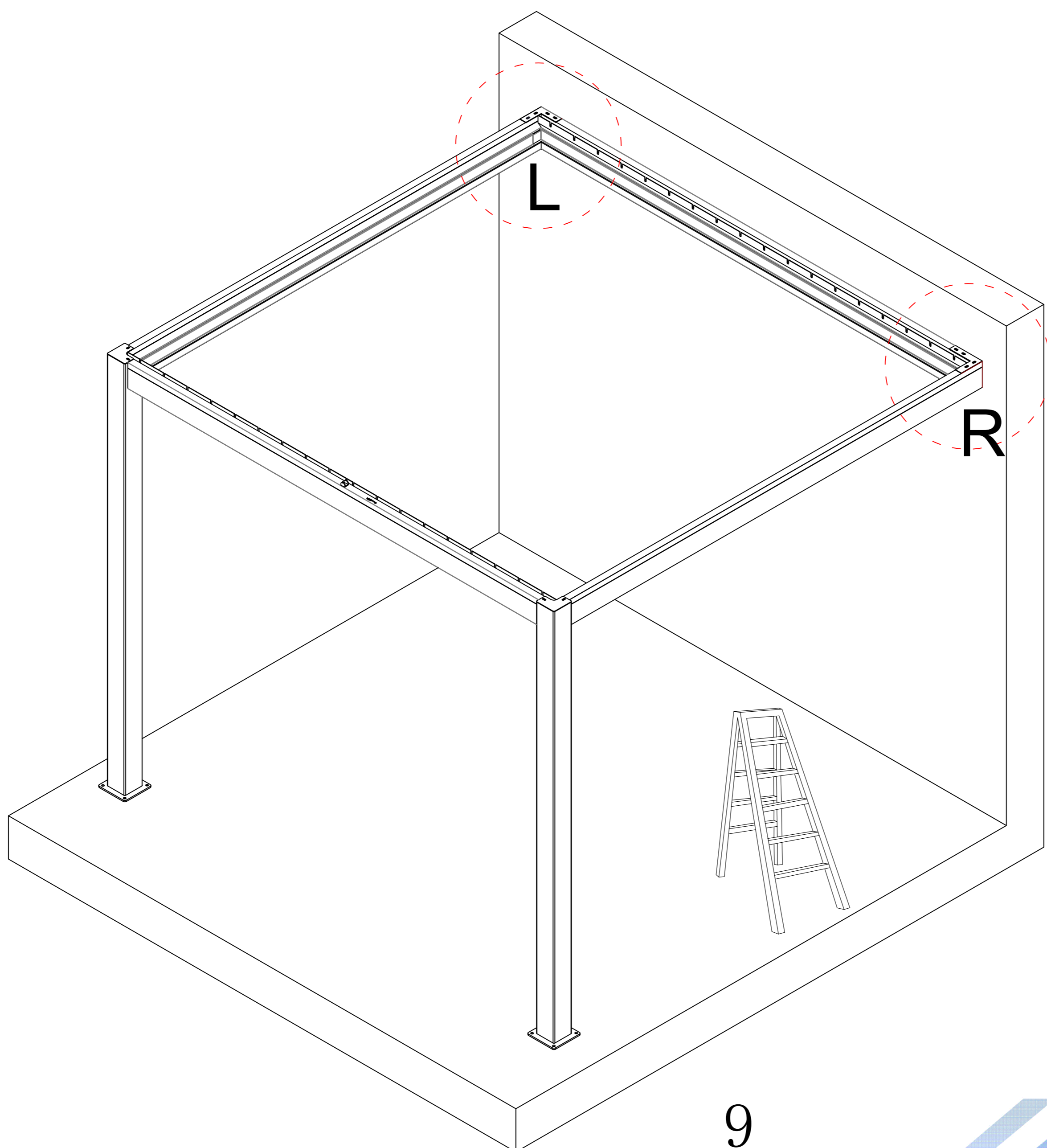
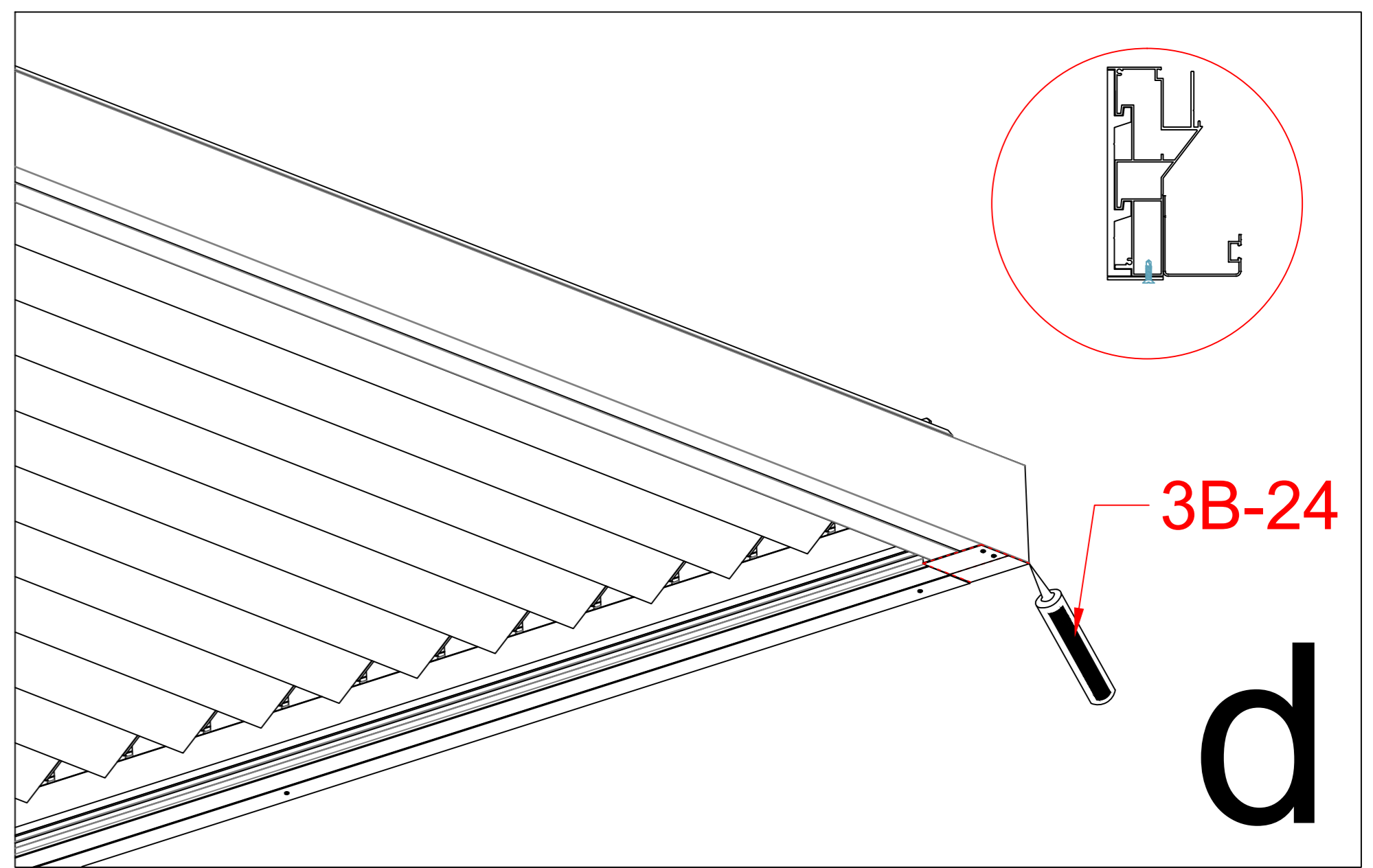
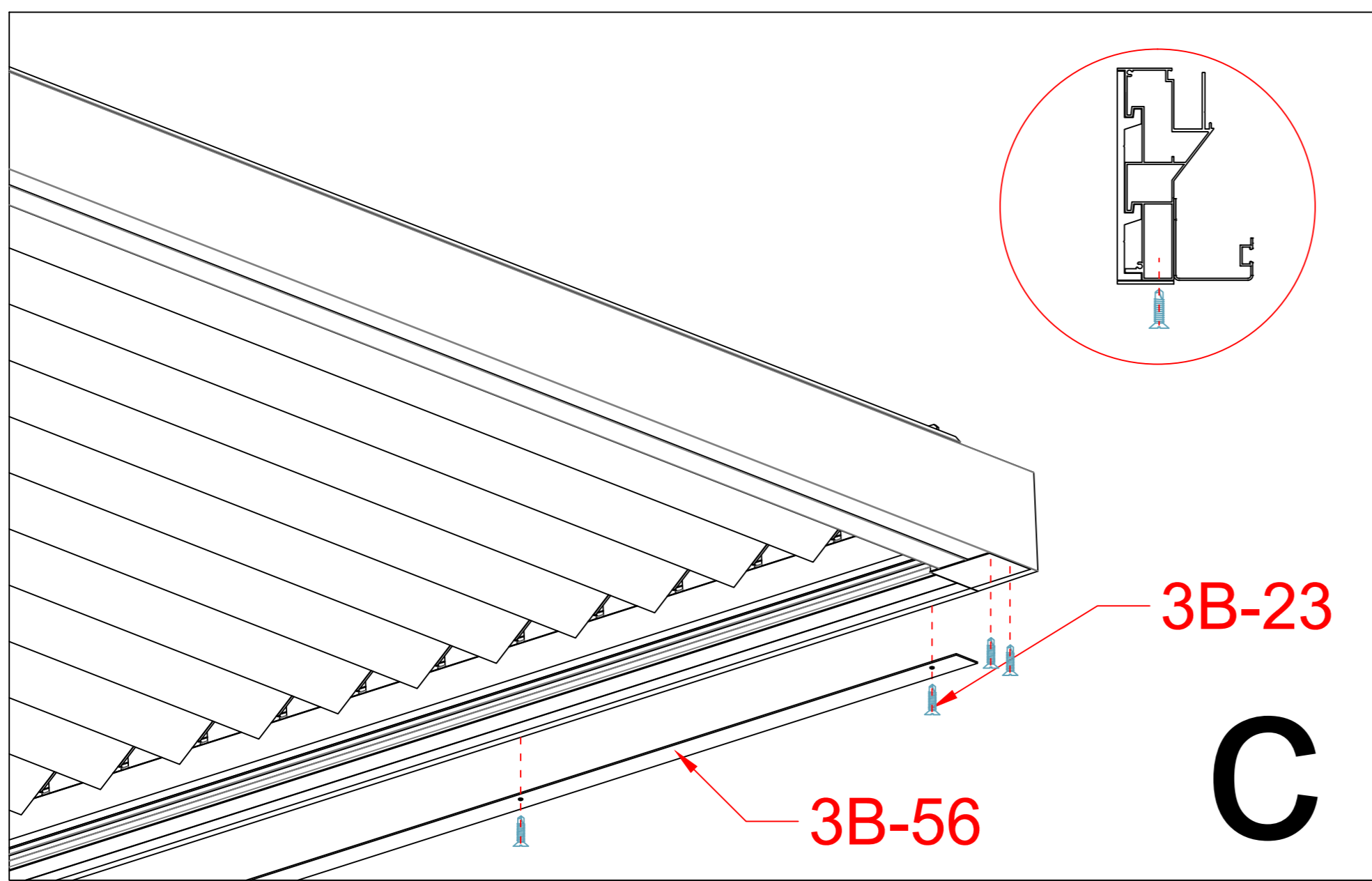
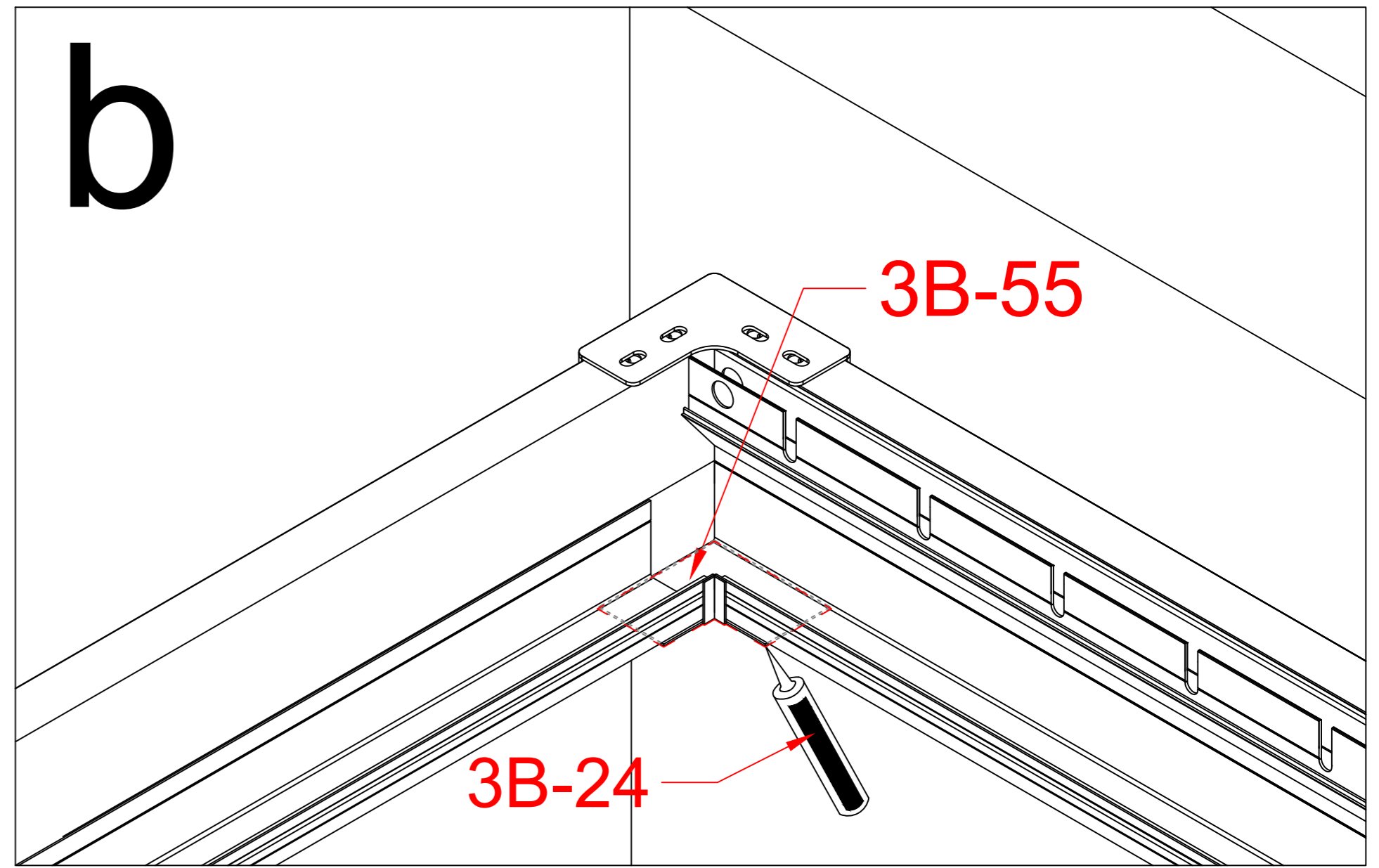
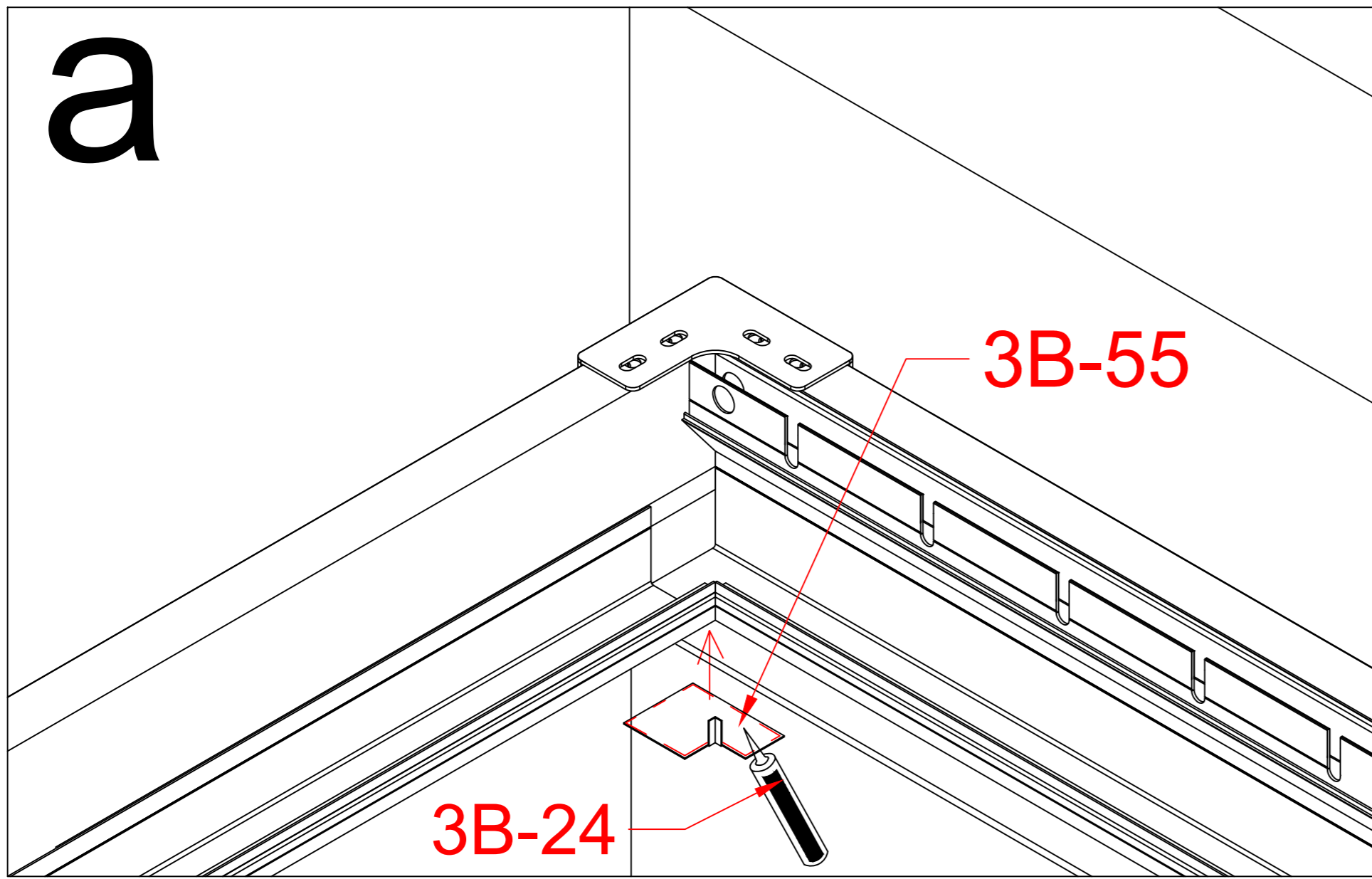
3B-21		8
-------	---	---





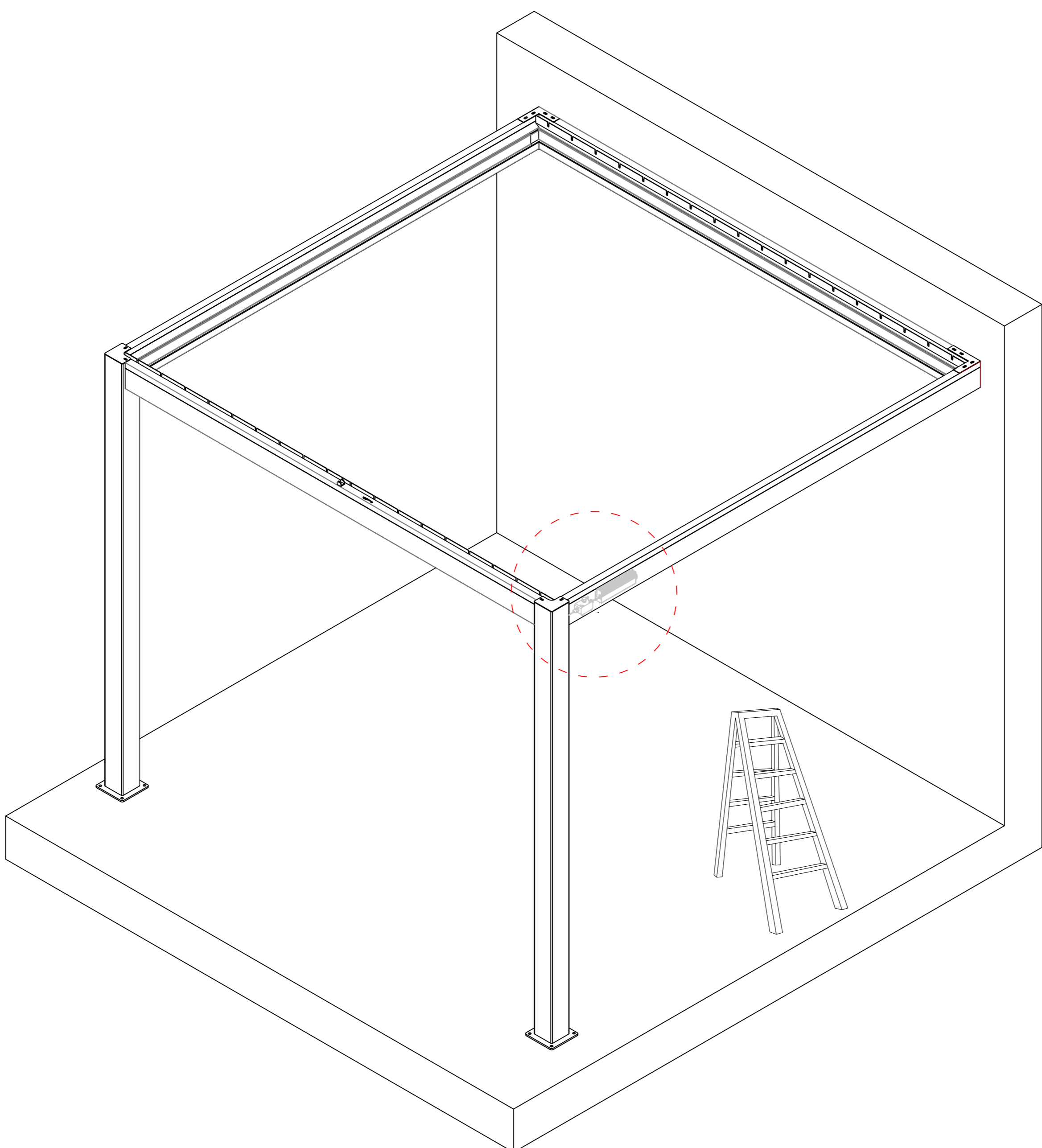
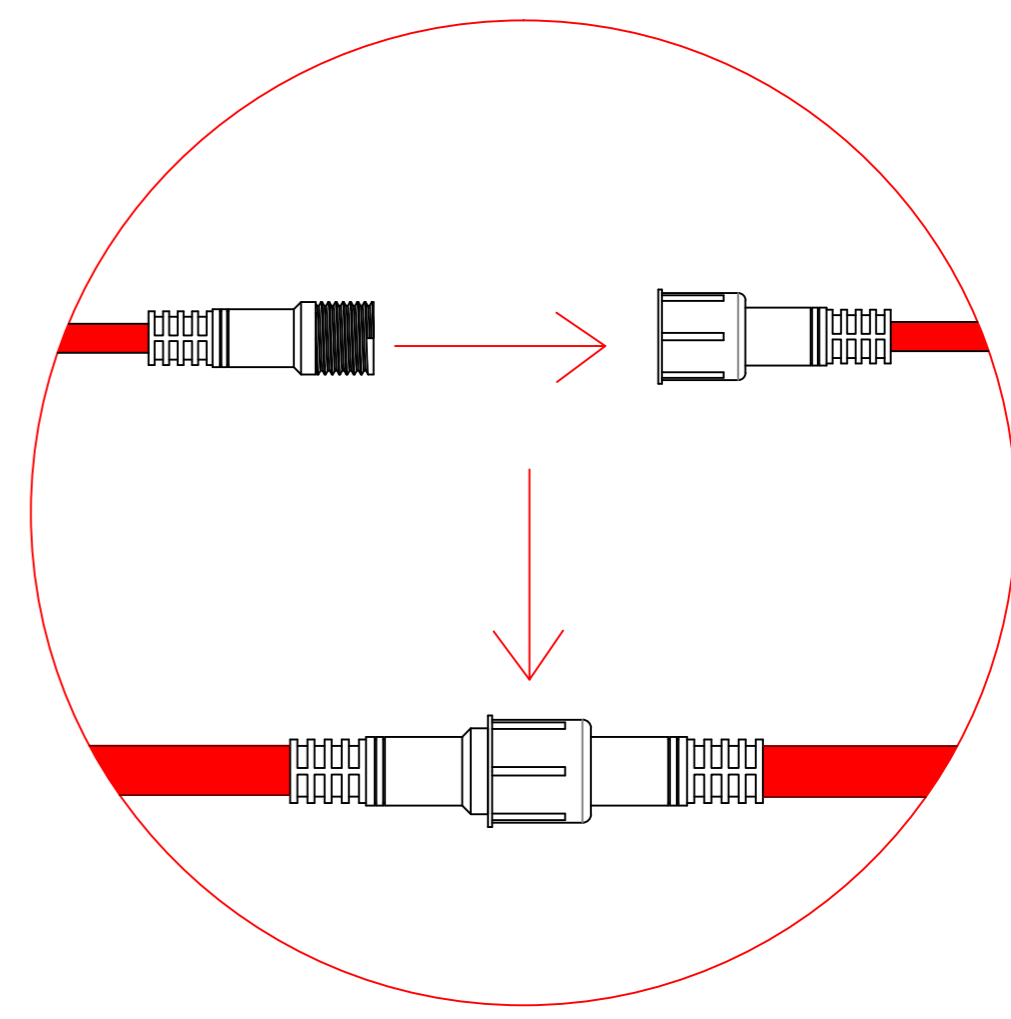
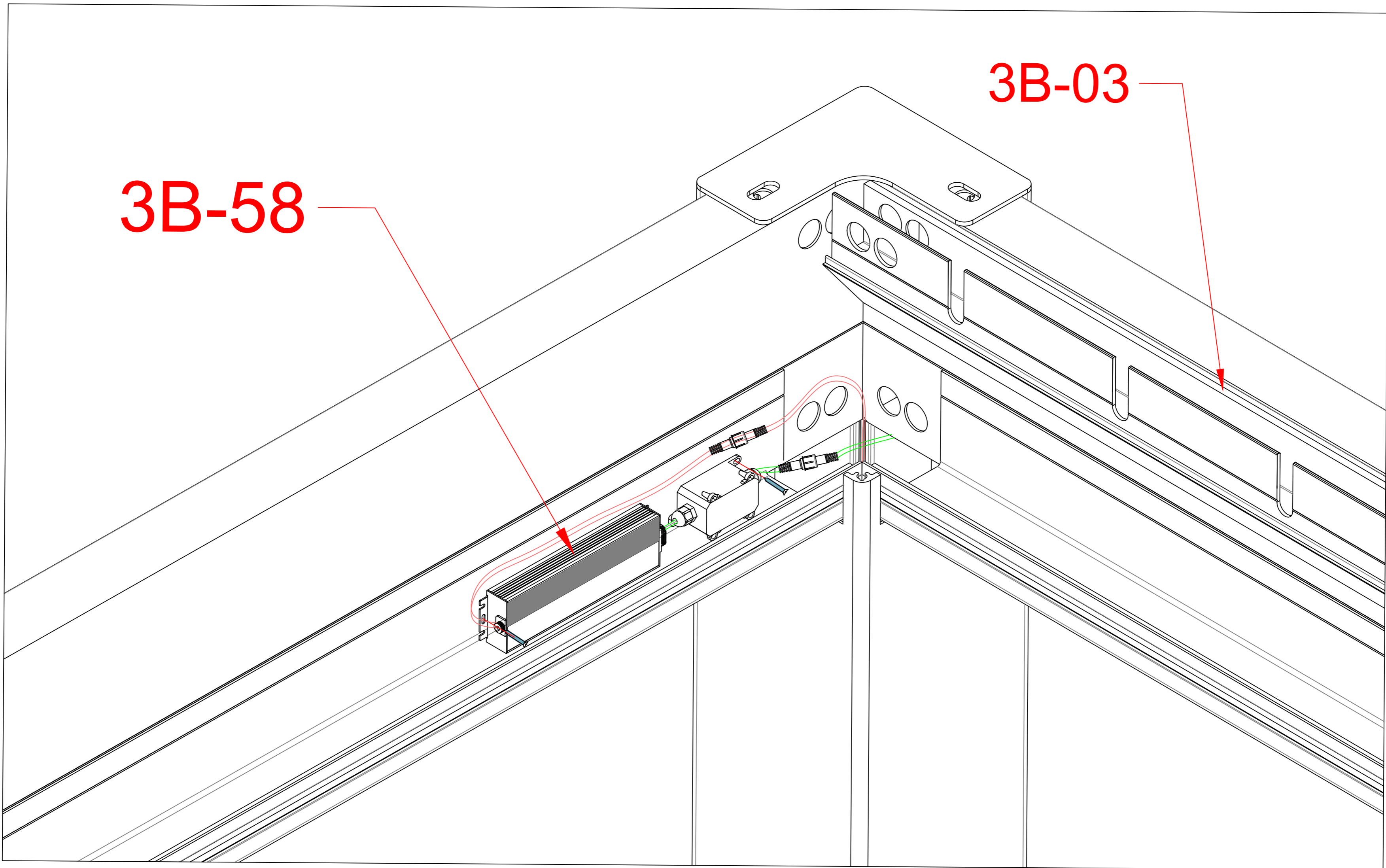
3B-35		2
3B-11		2
3B-19		12

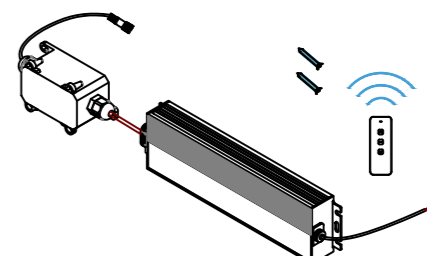


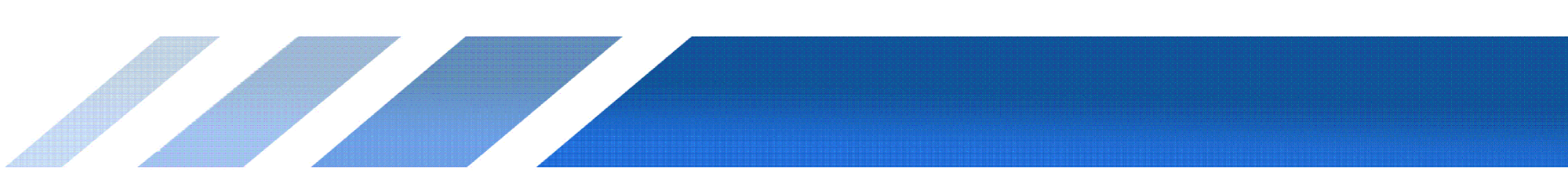


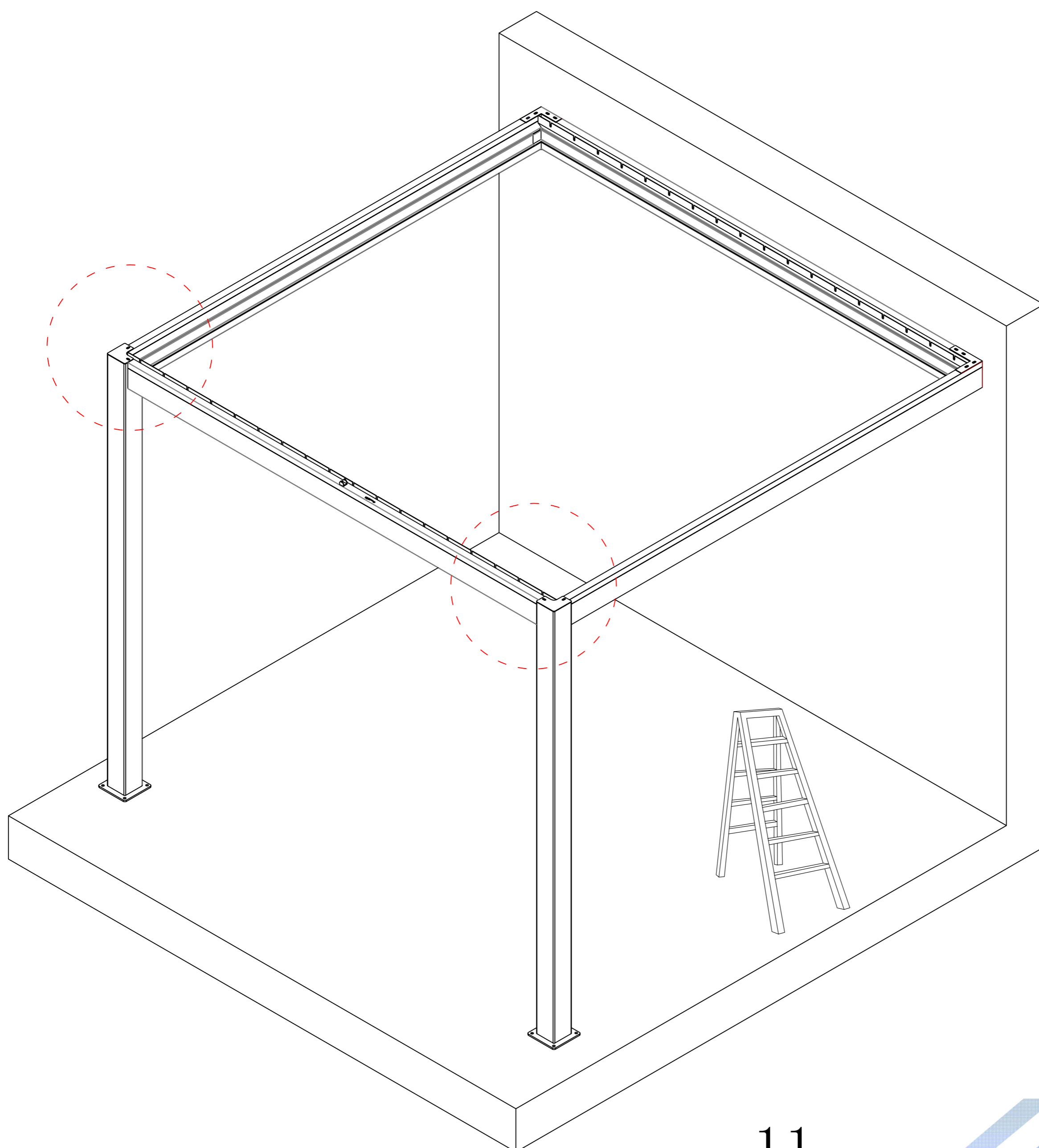
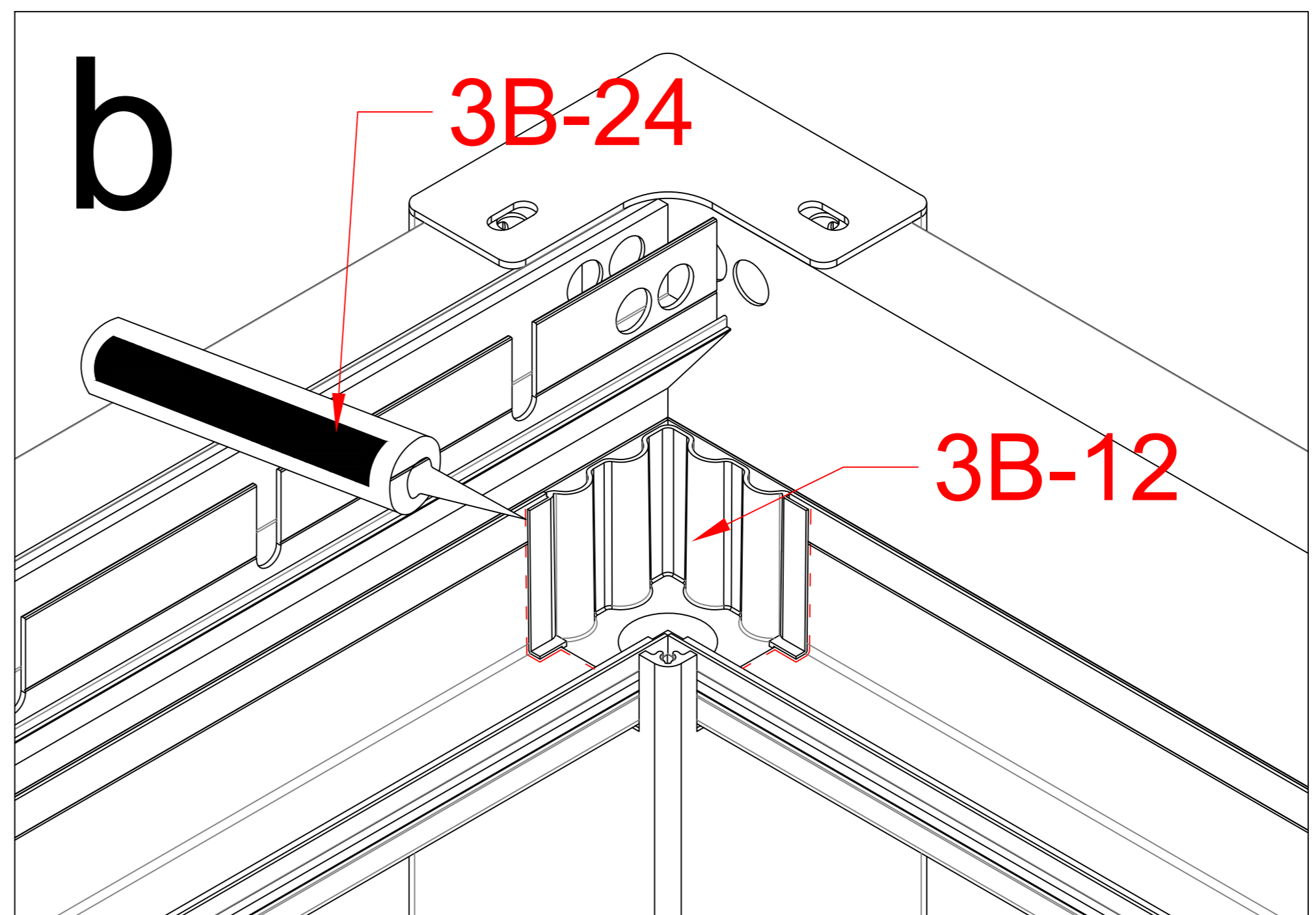
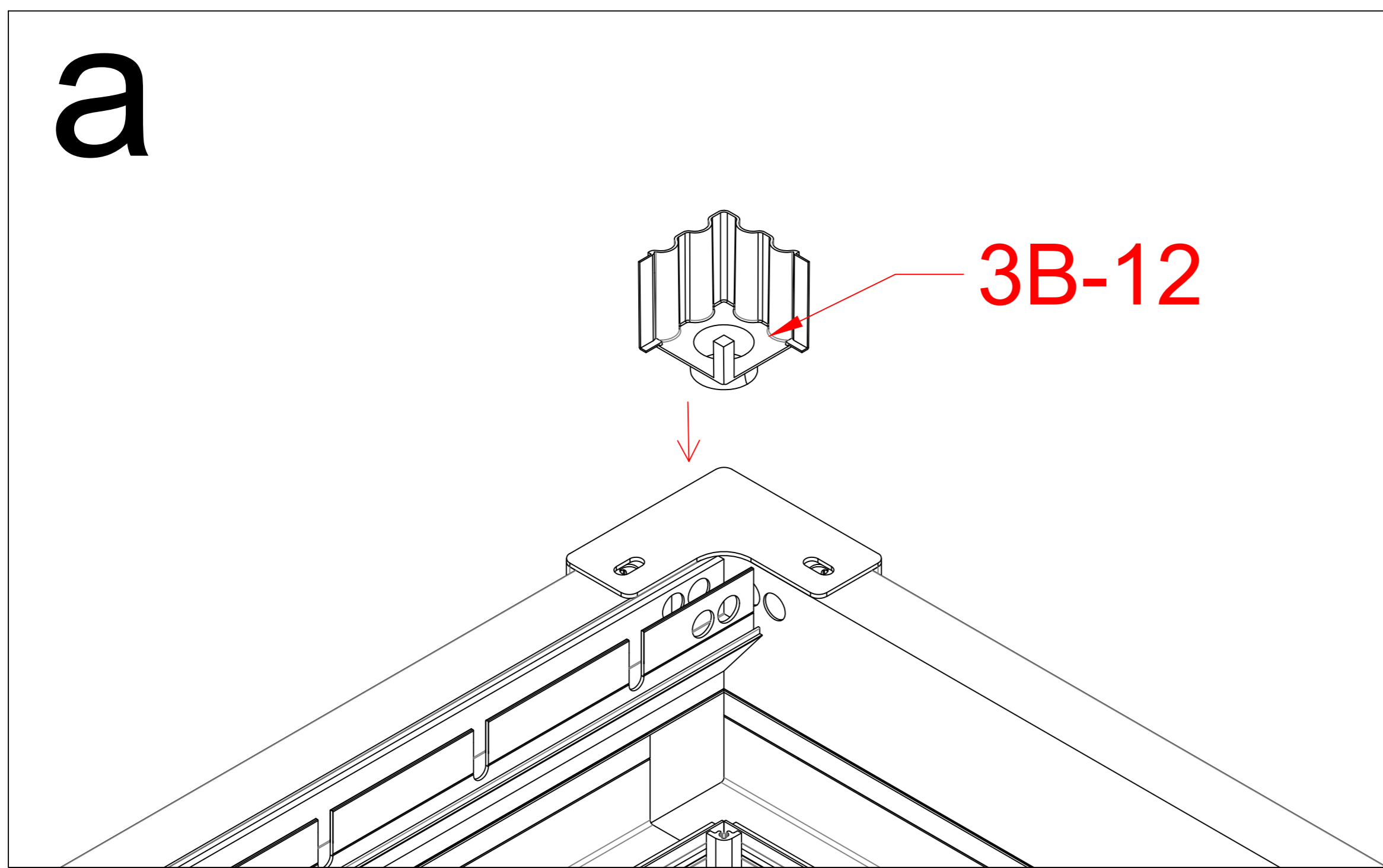
3B-55		2
3B-56		X
3B-23		X

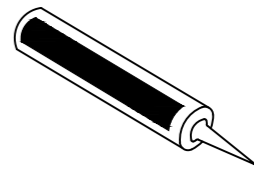
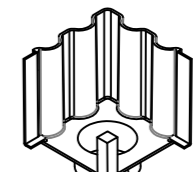


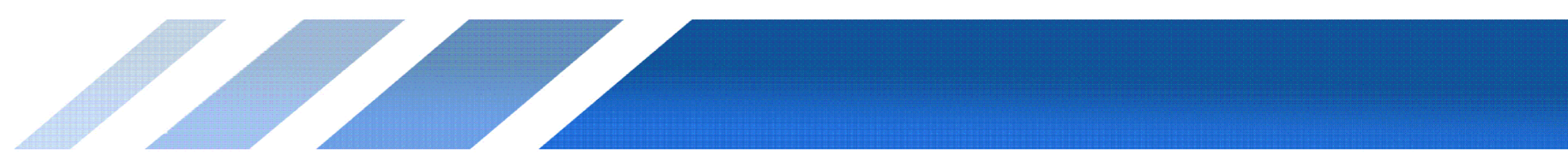


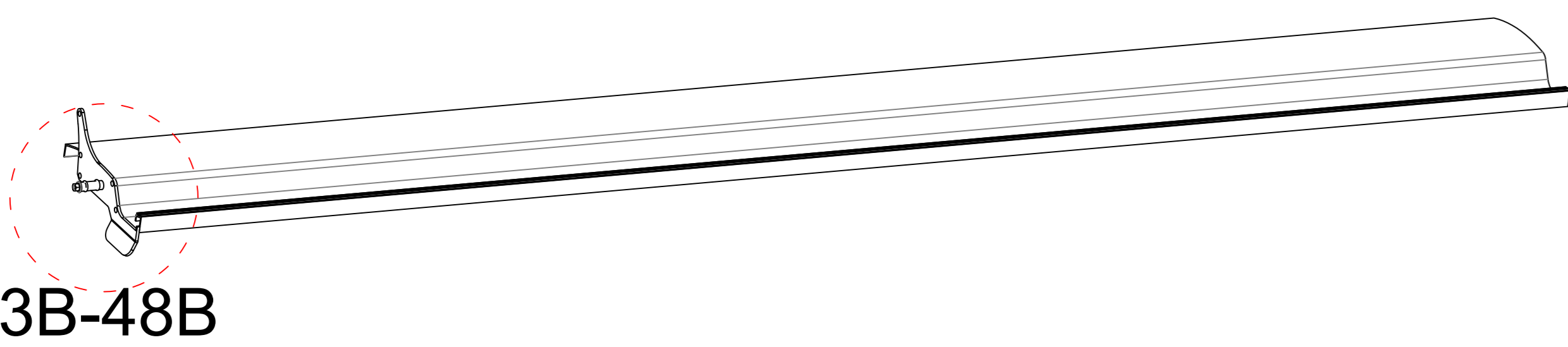
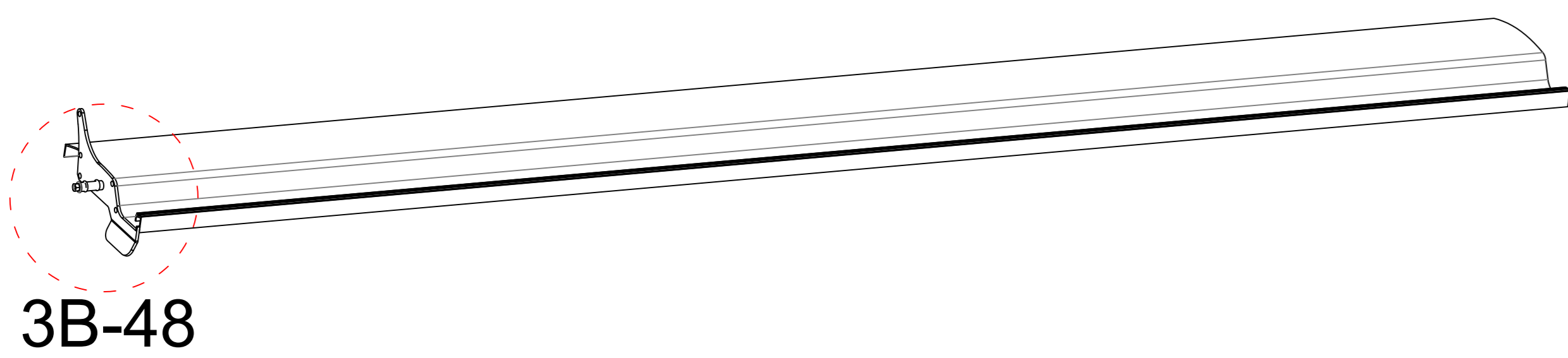
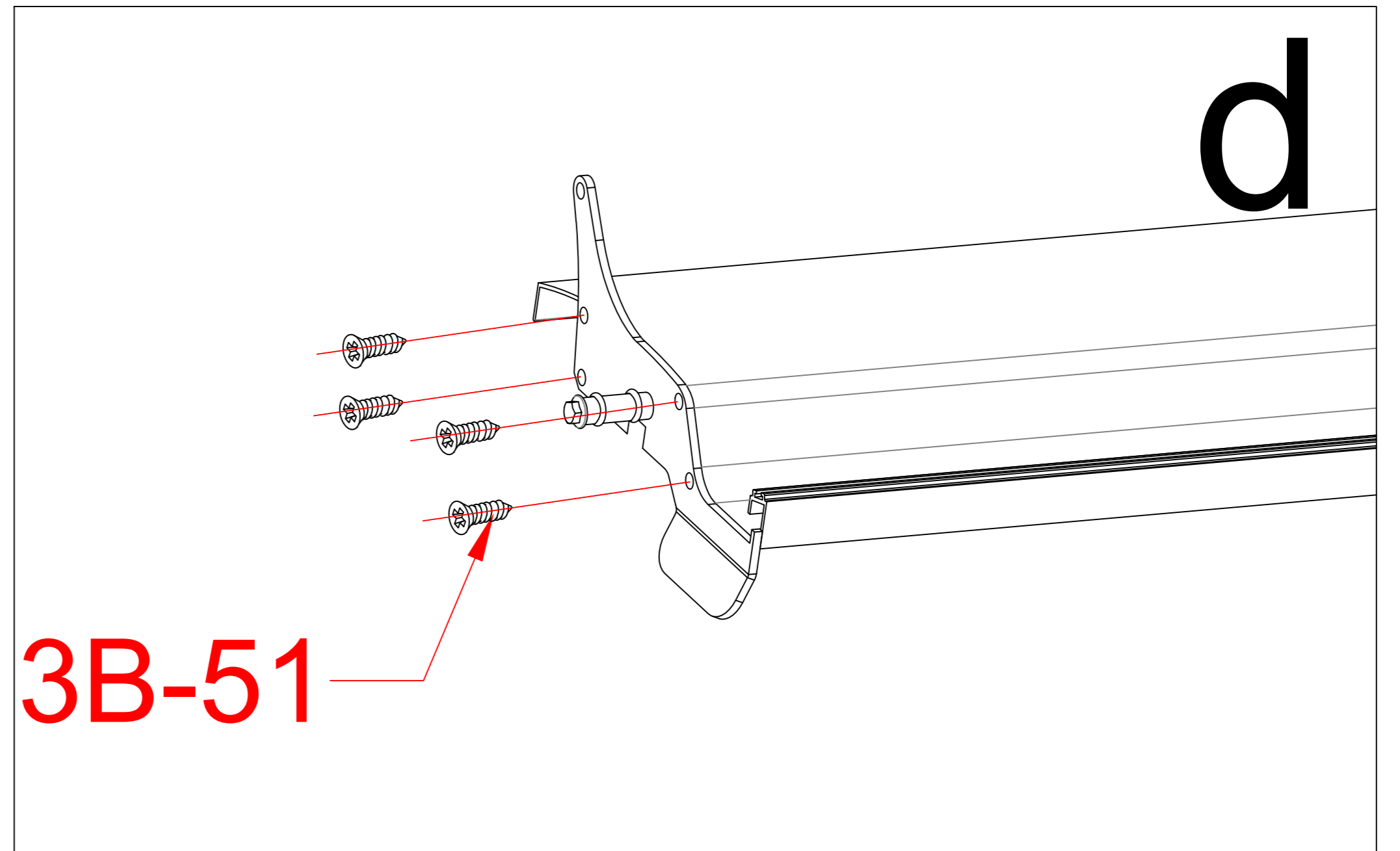
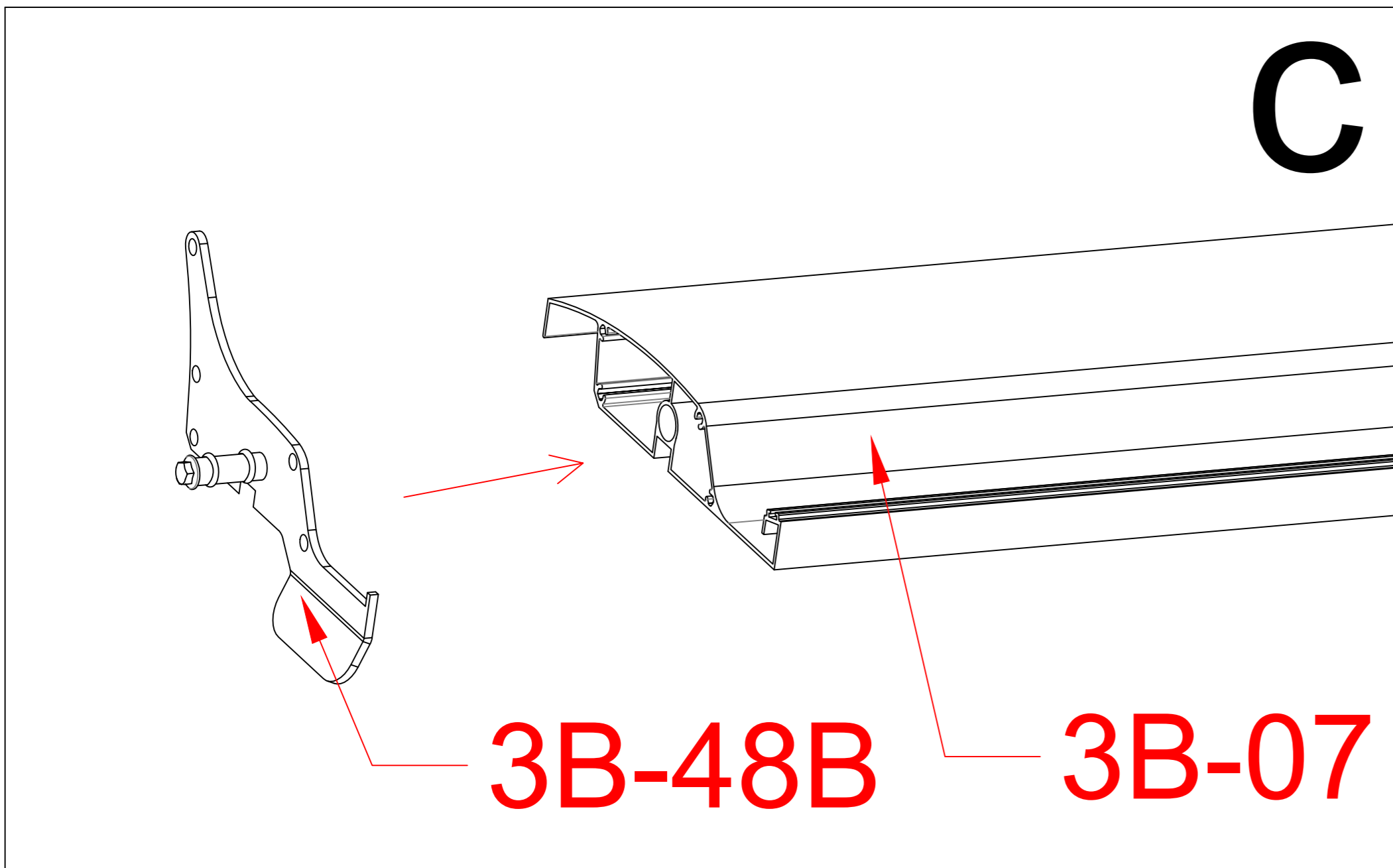
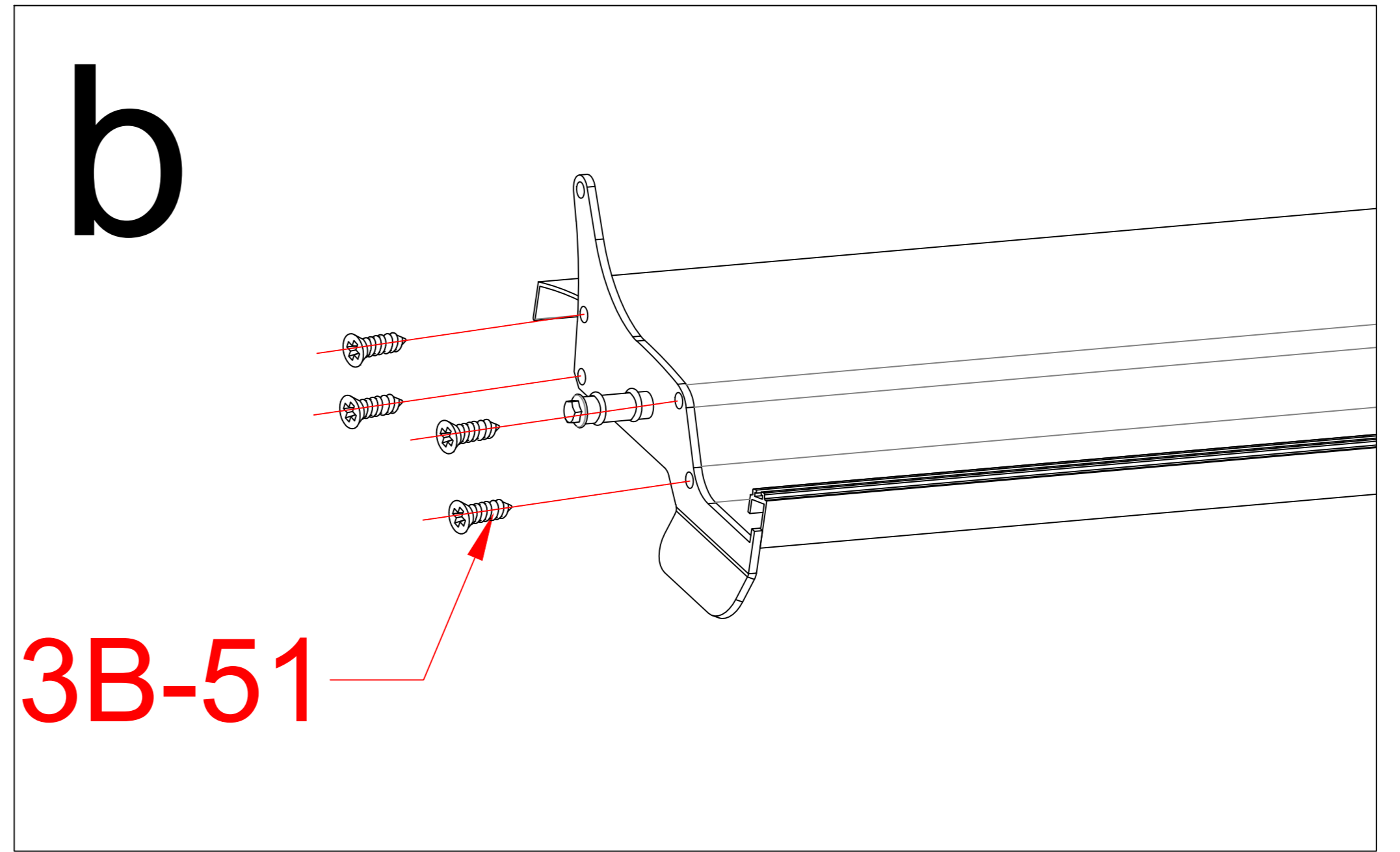
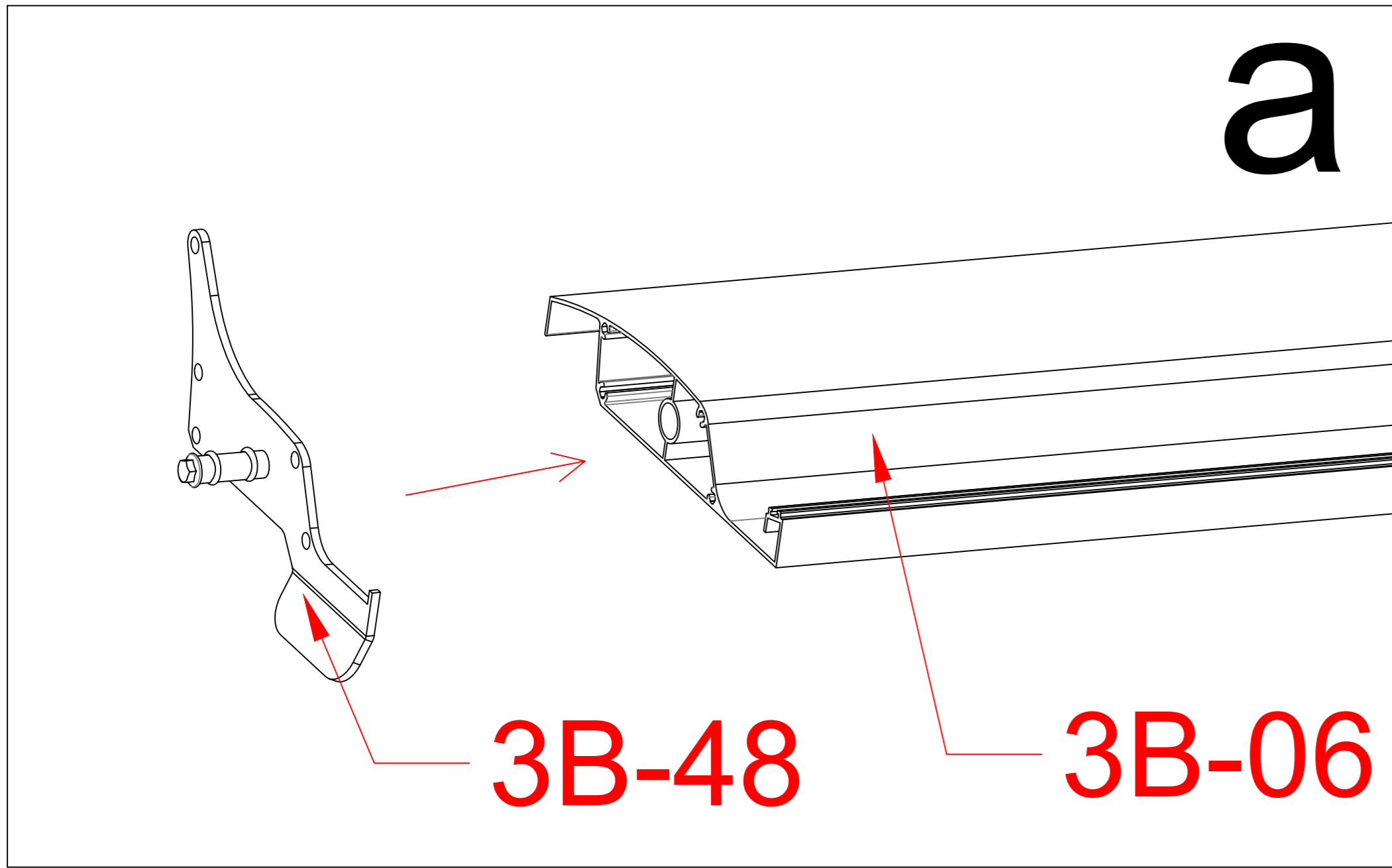
3B-58		1
-------	---	---



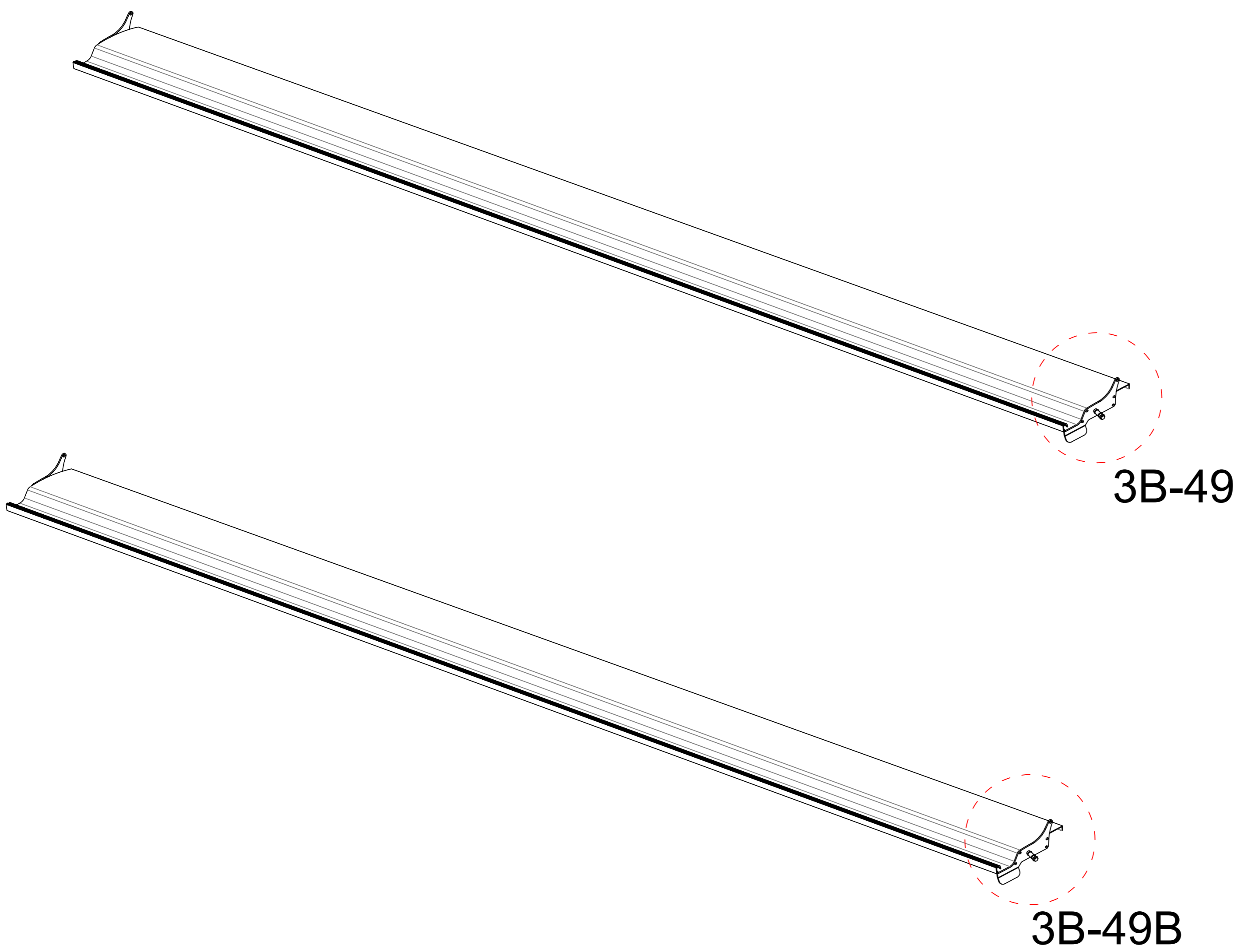
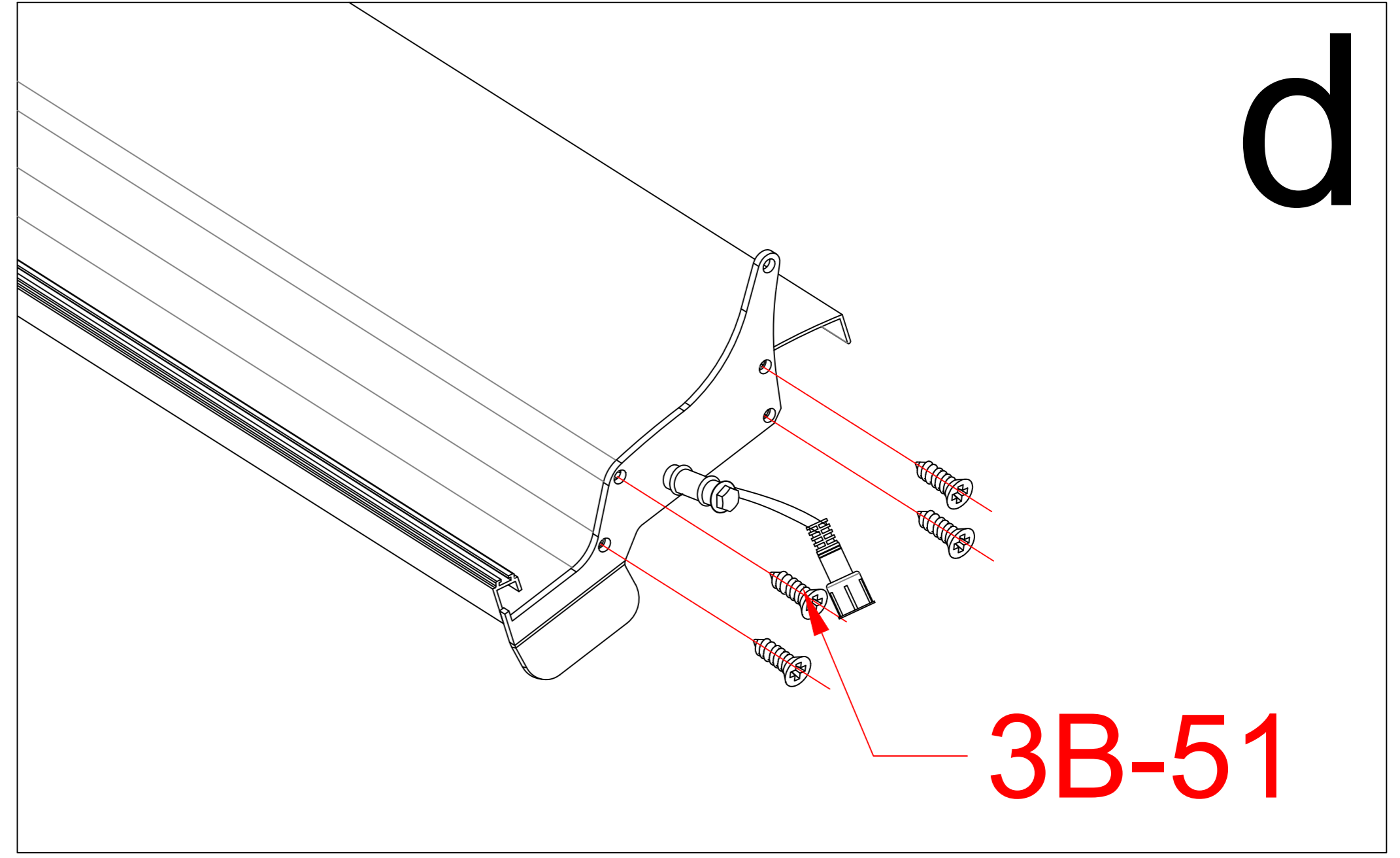
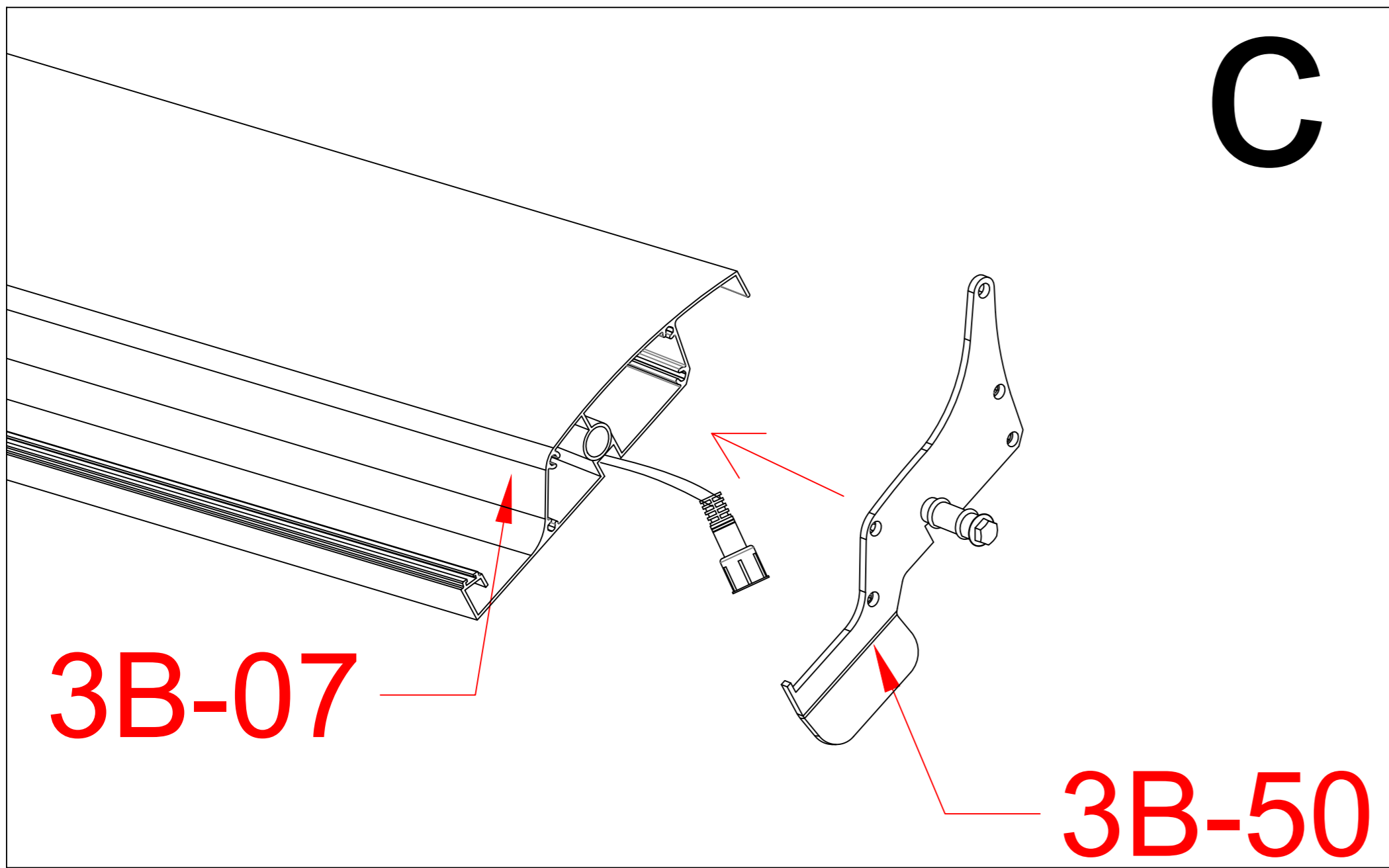
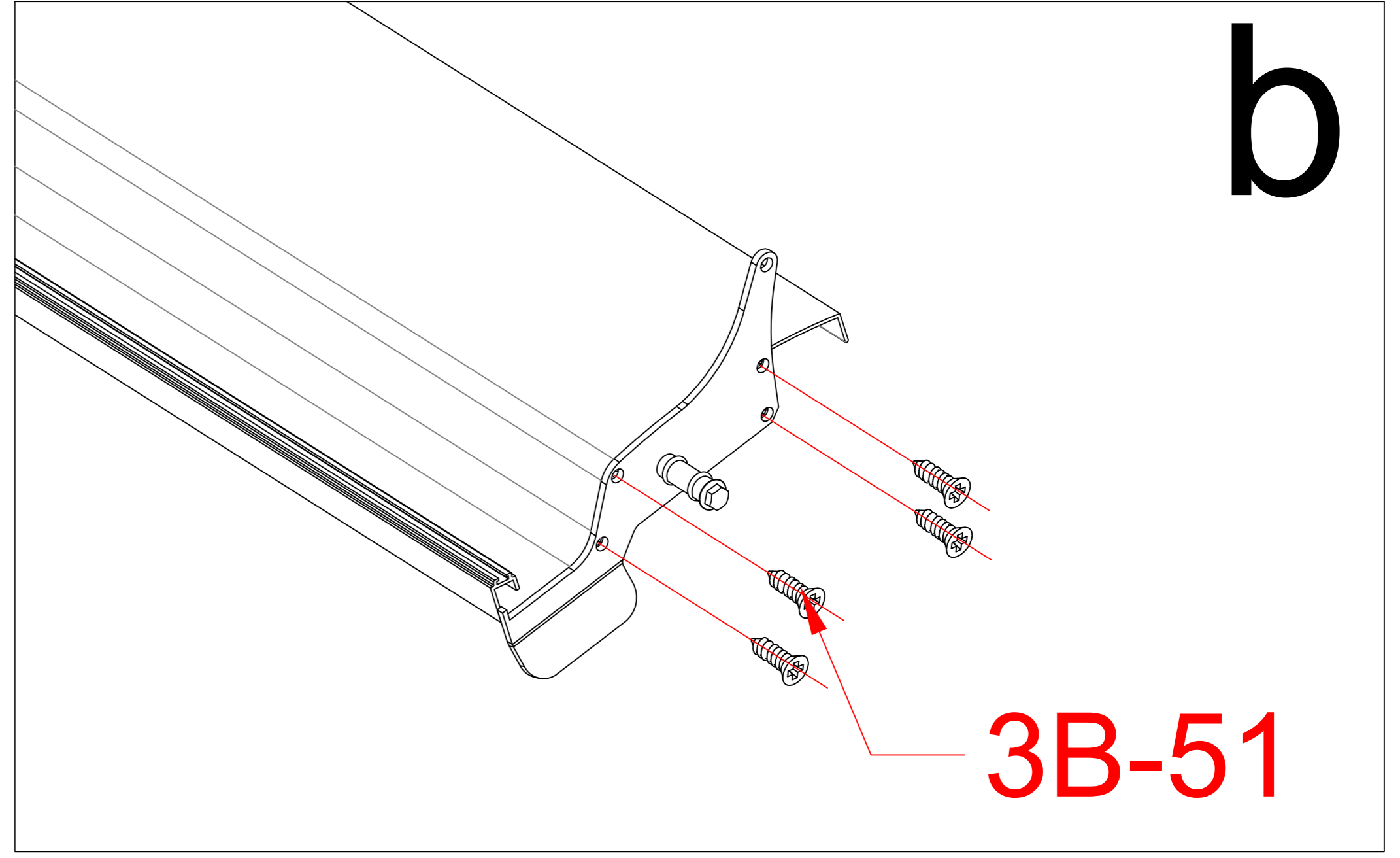
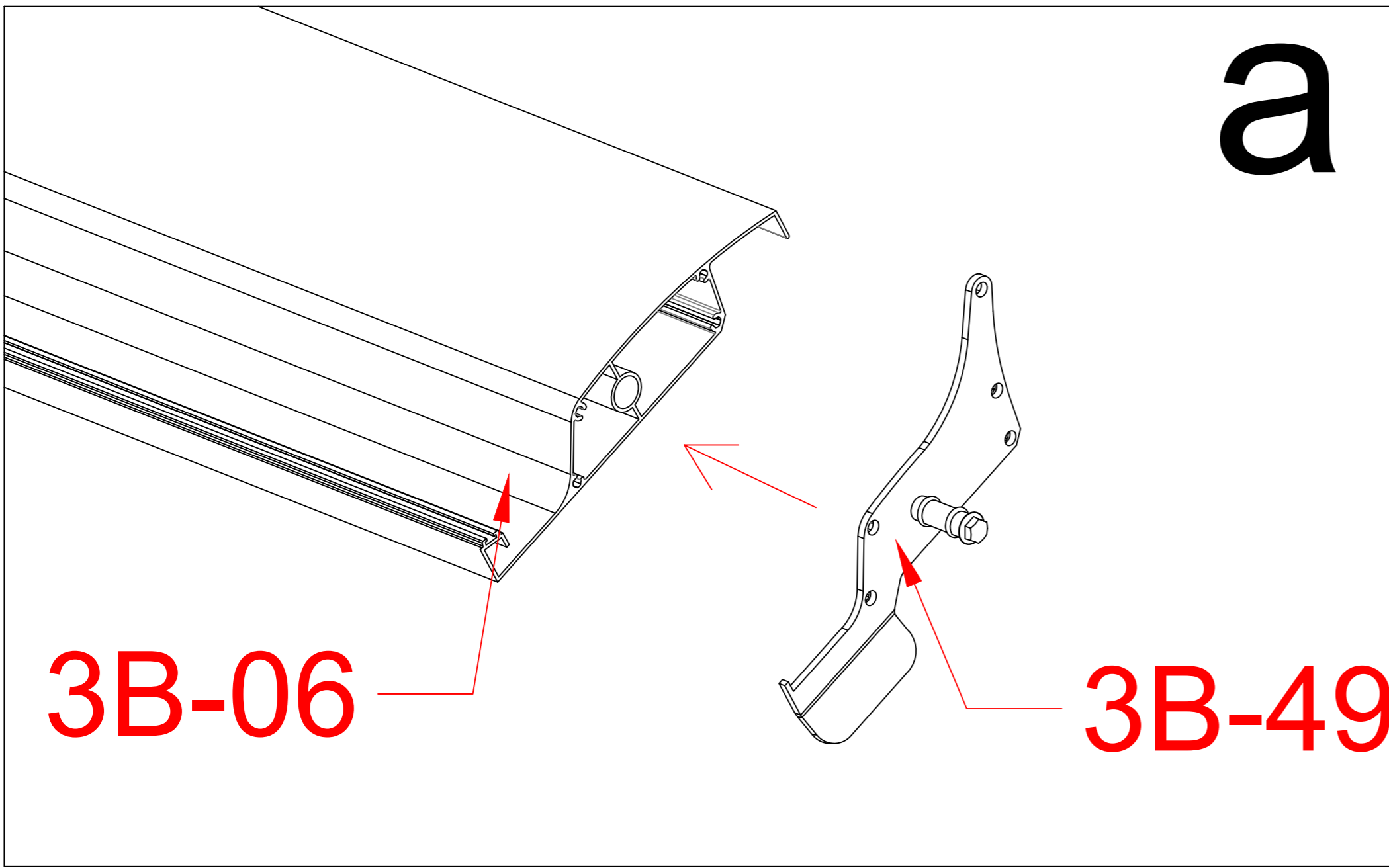


3B-24		1
3B-12		2

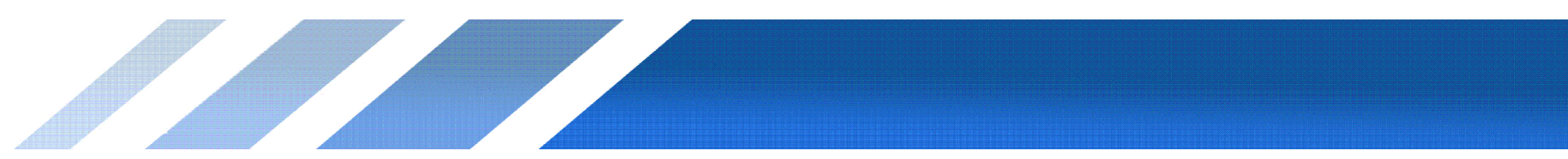


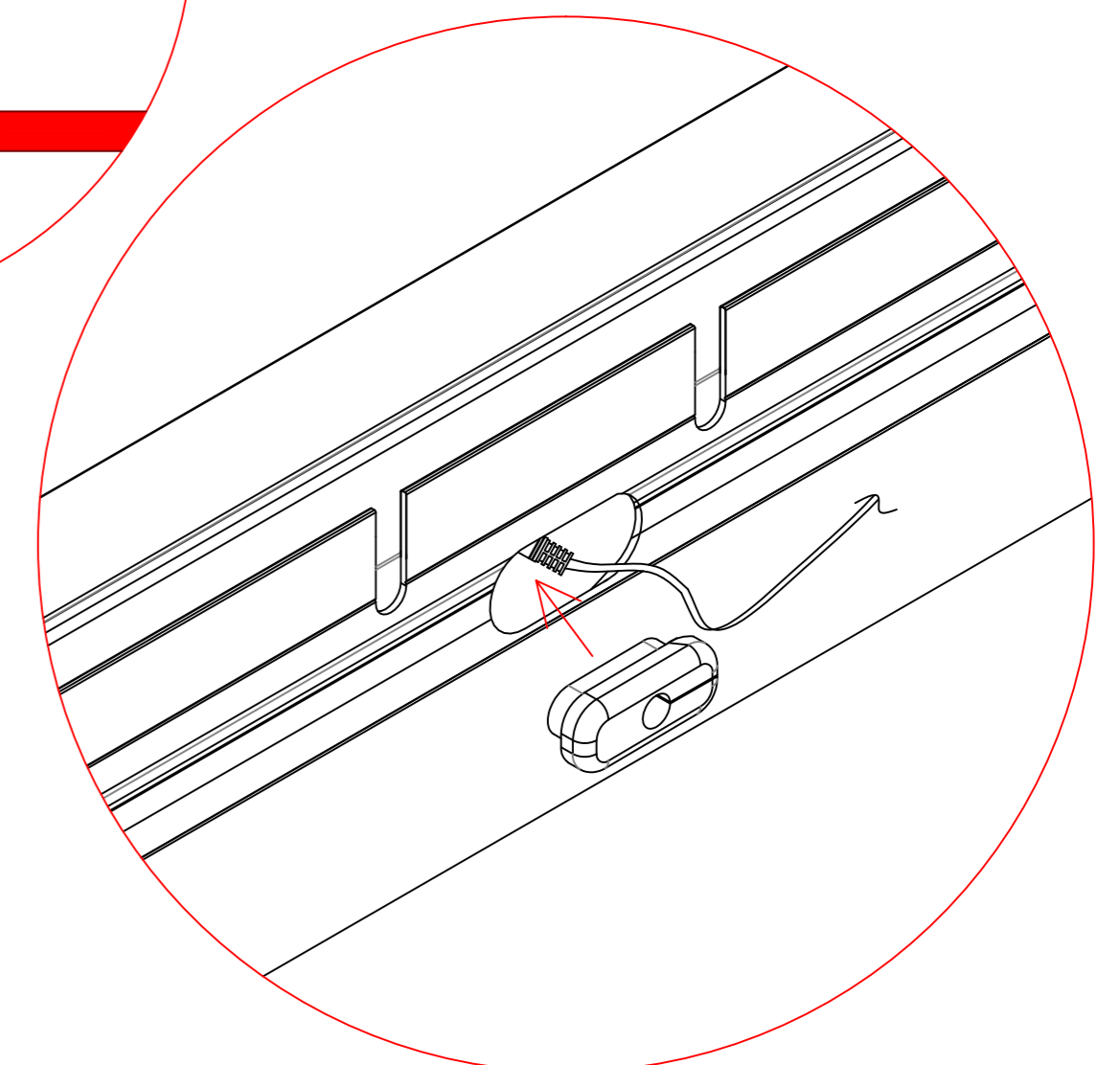
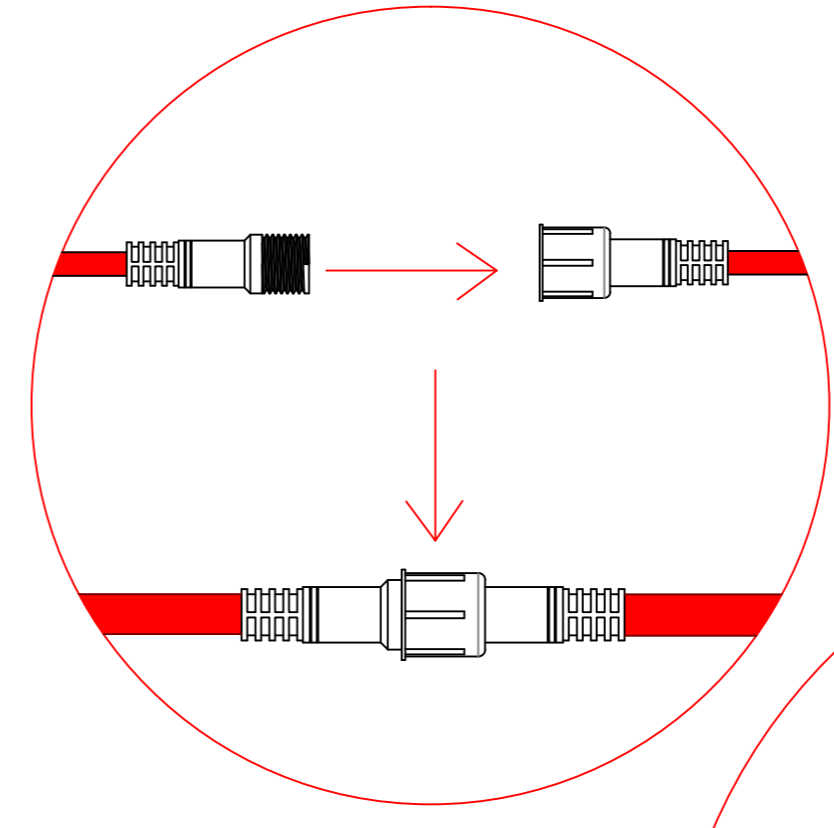
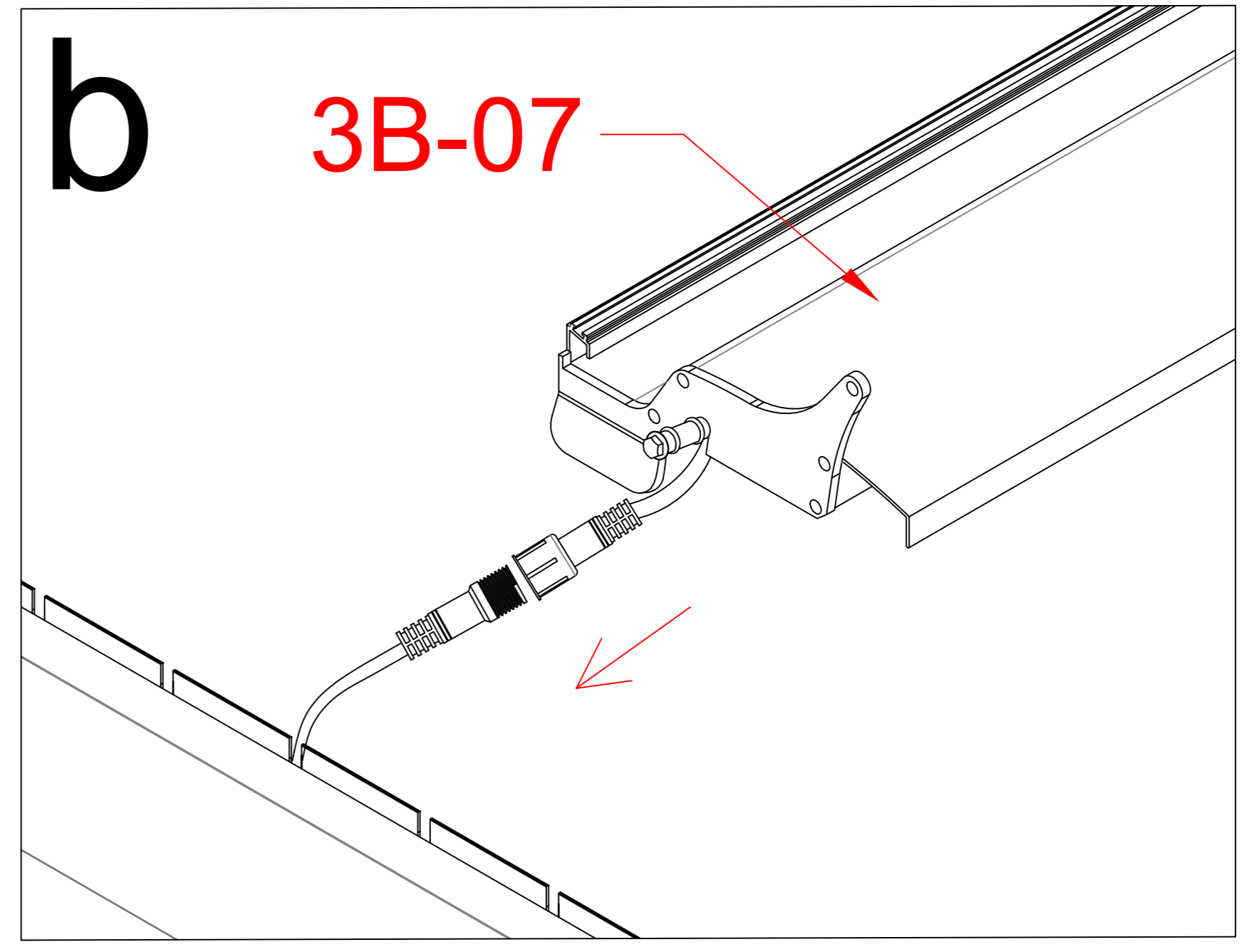
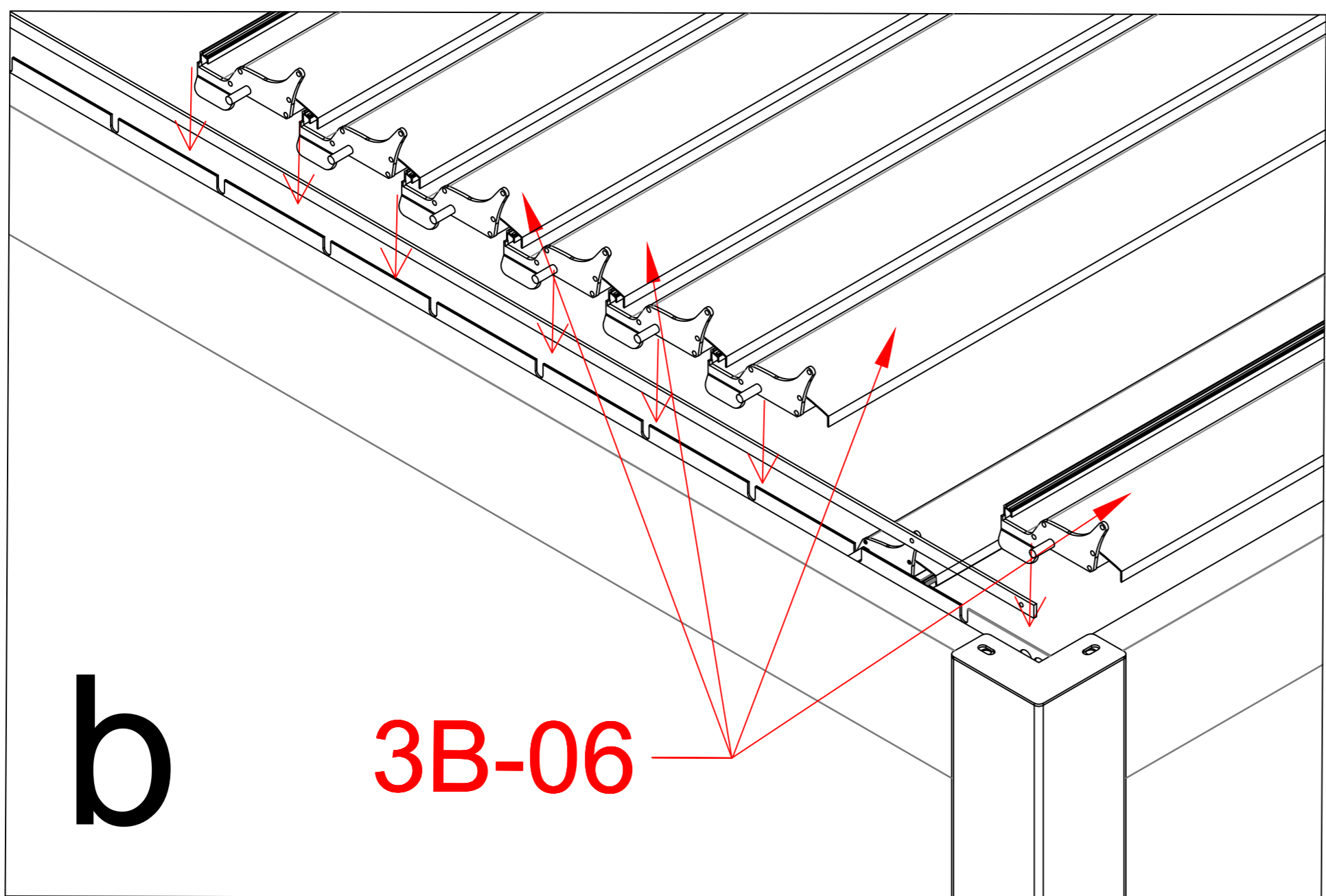


3B-51	
3B-06	
3B-48	
3B-07	
3B-48B	

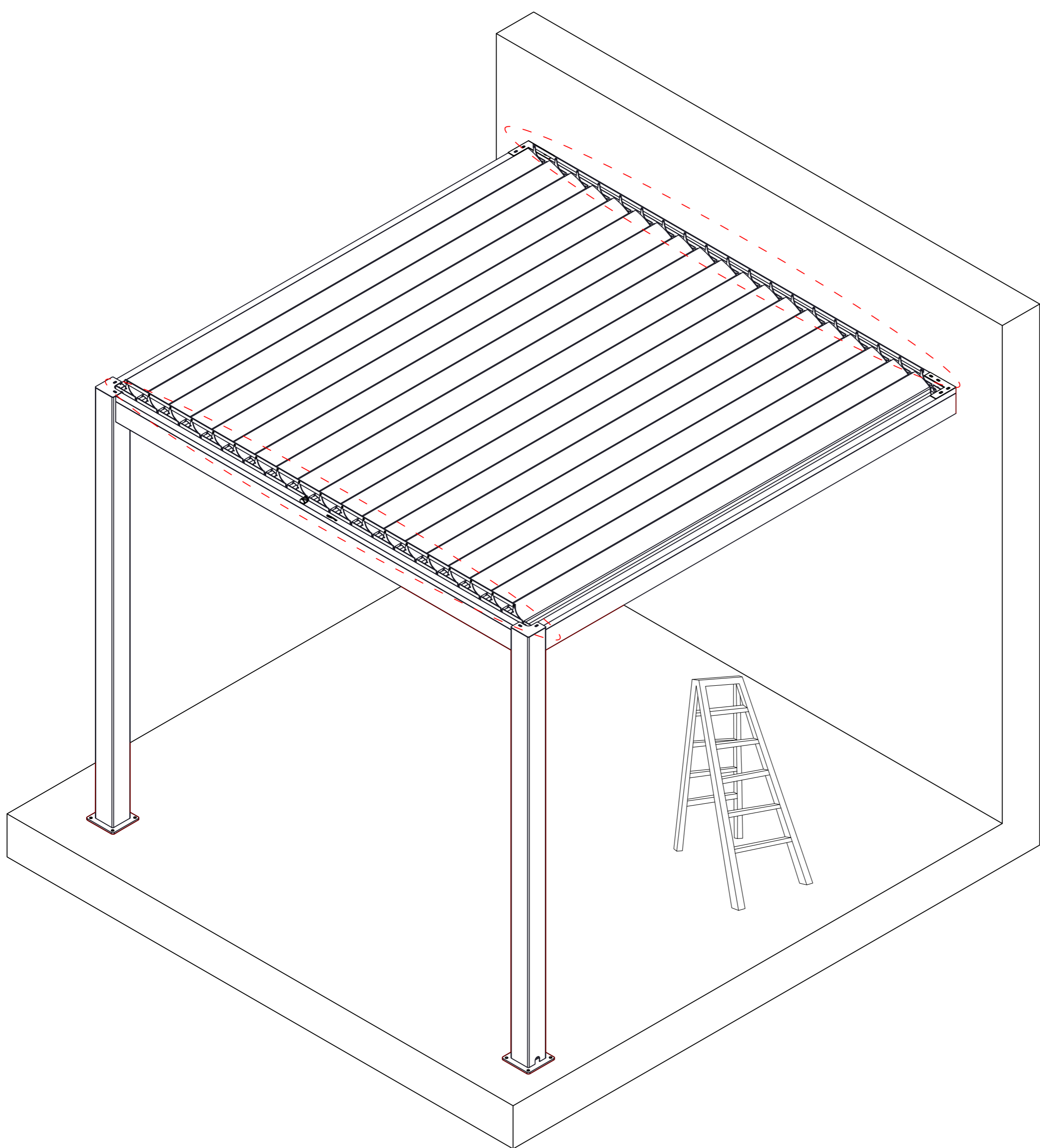


3B-49	
3B-49B	
3B-51	

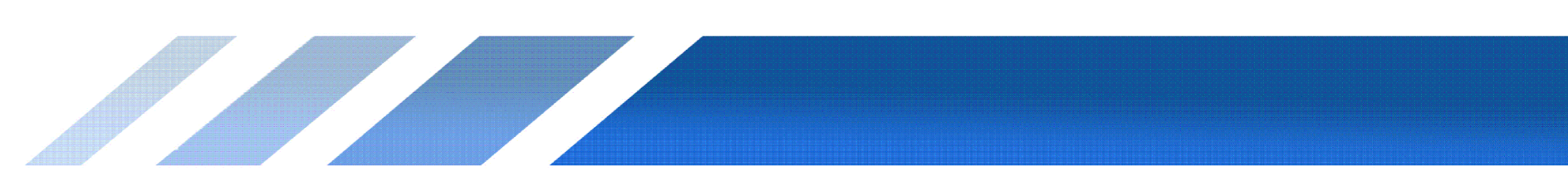


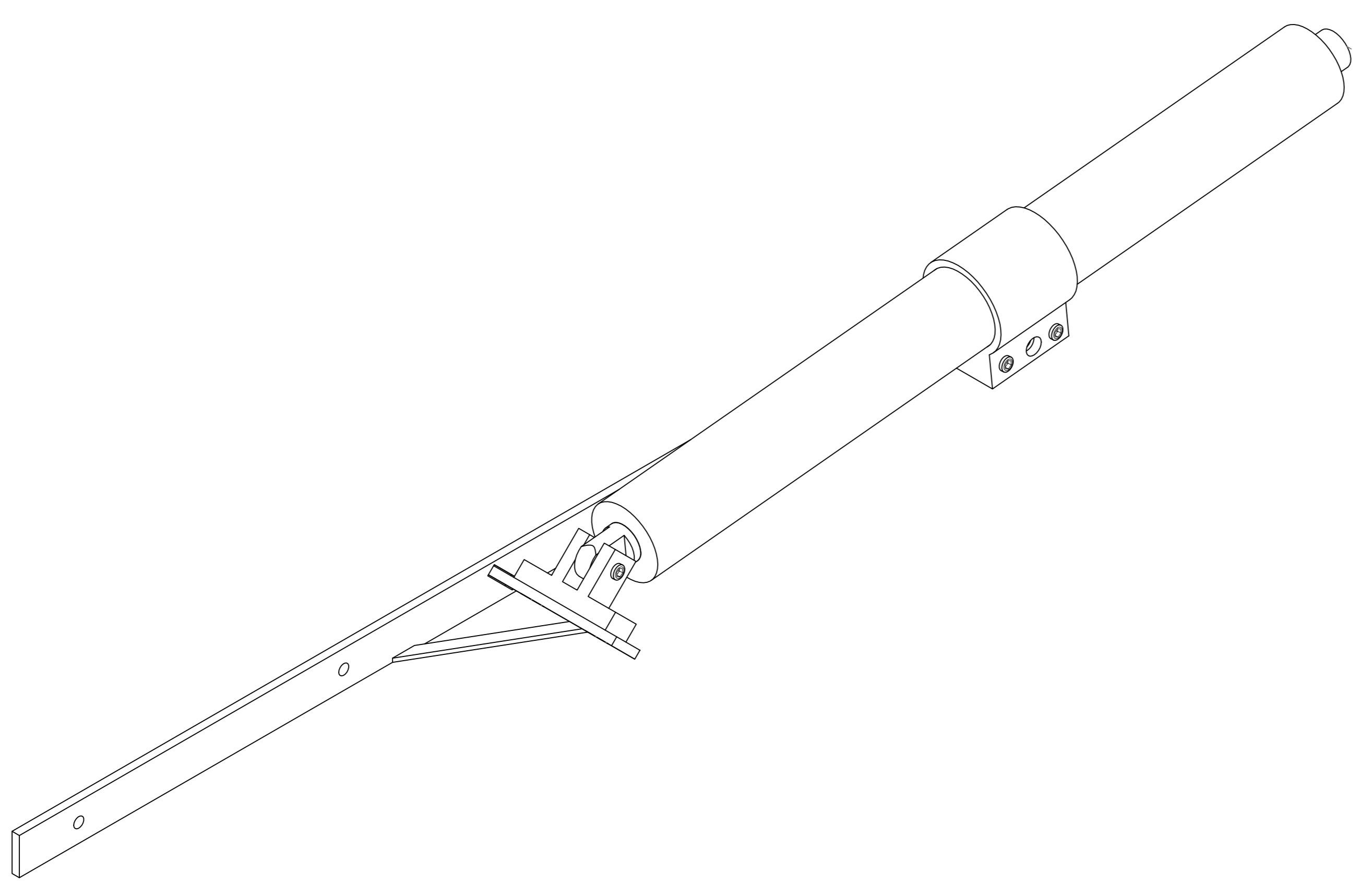
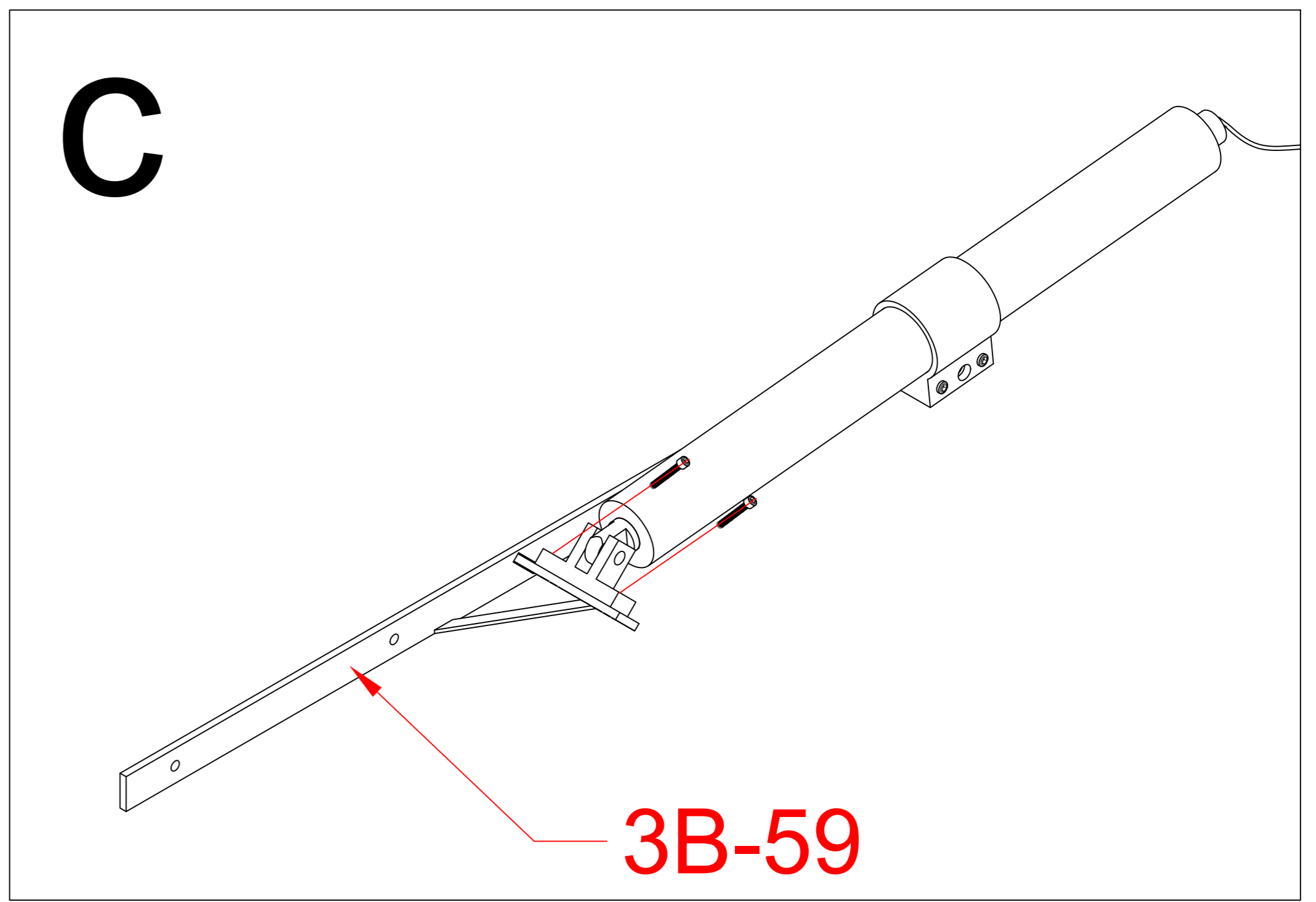
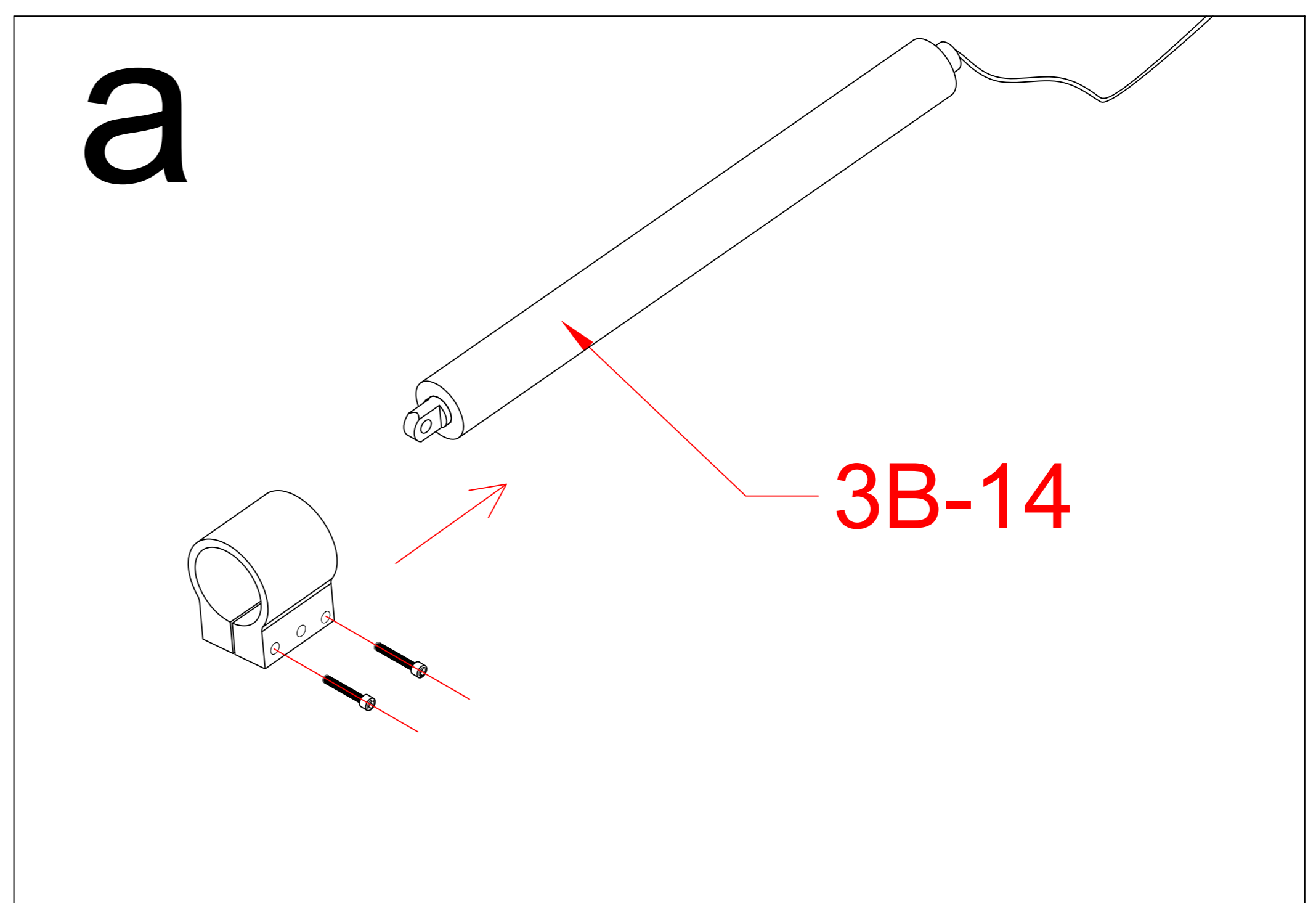
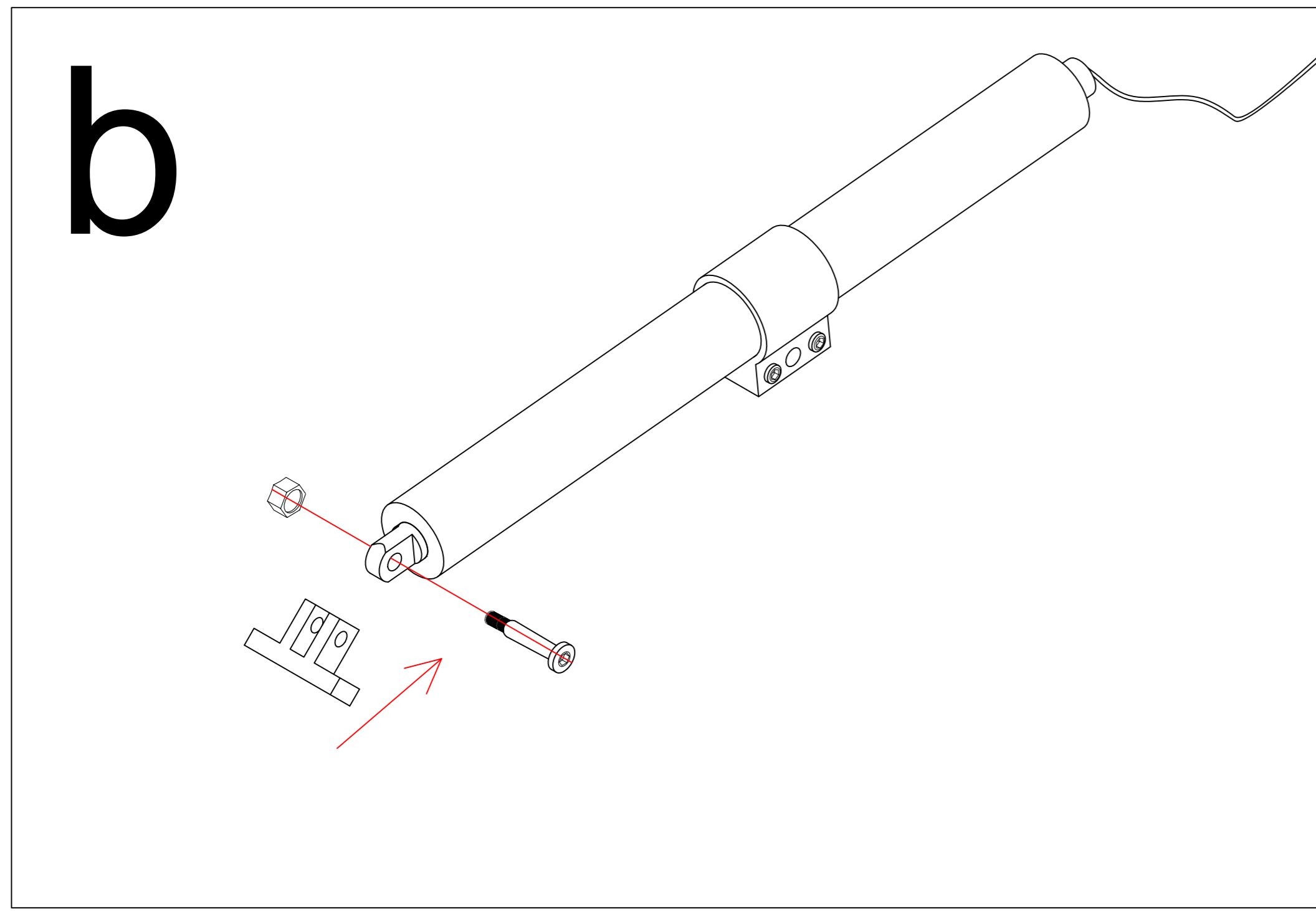


Connecting the male and female connectors, then put them into the holes in the main beam, and finally insert the plugs.

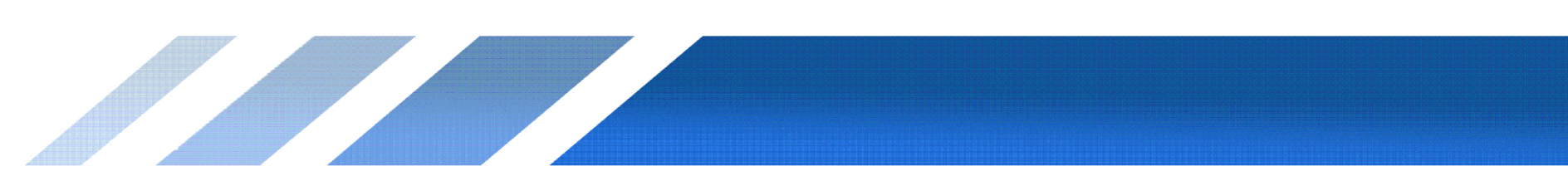


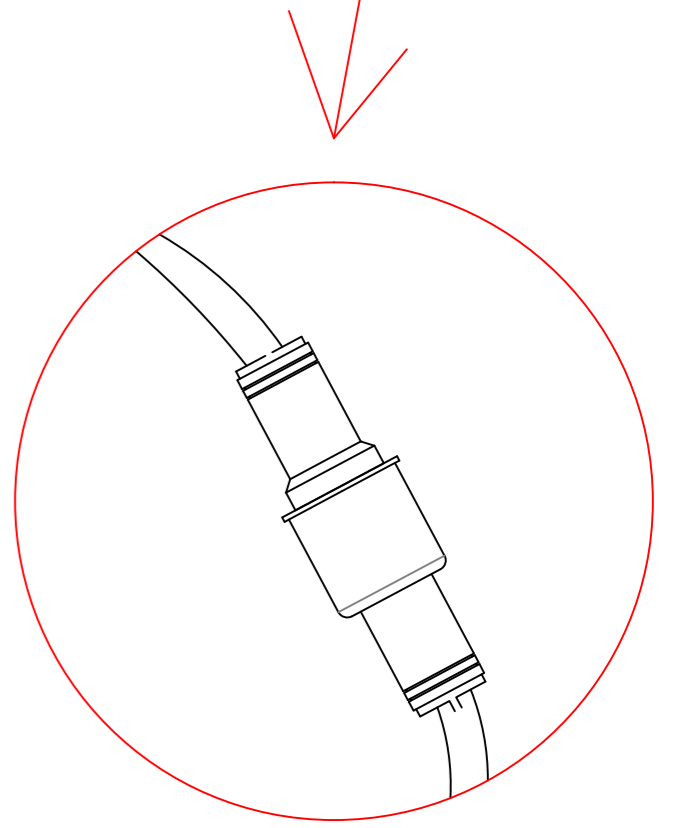
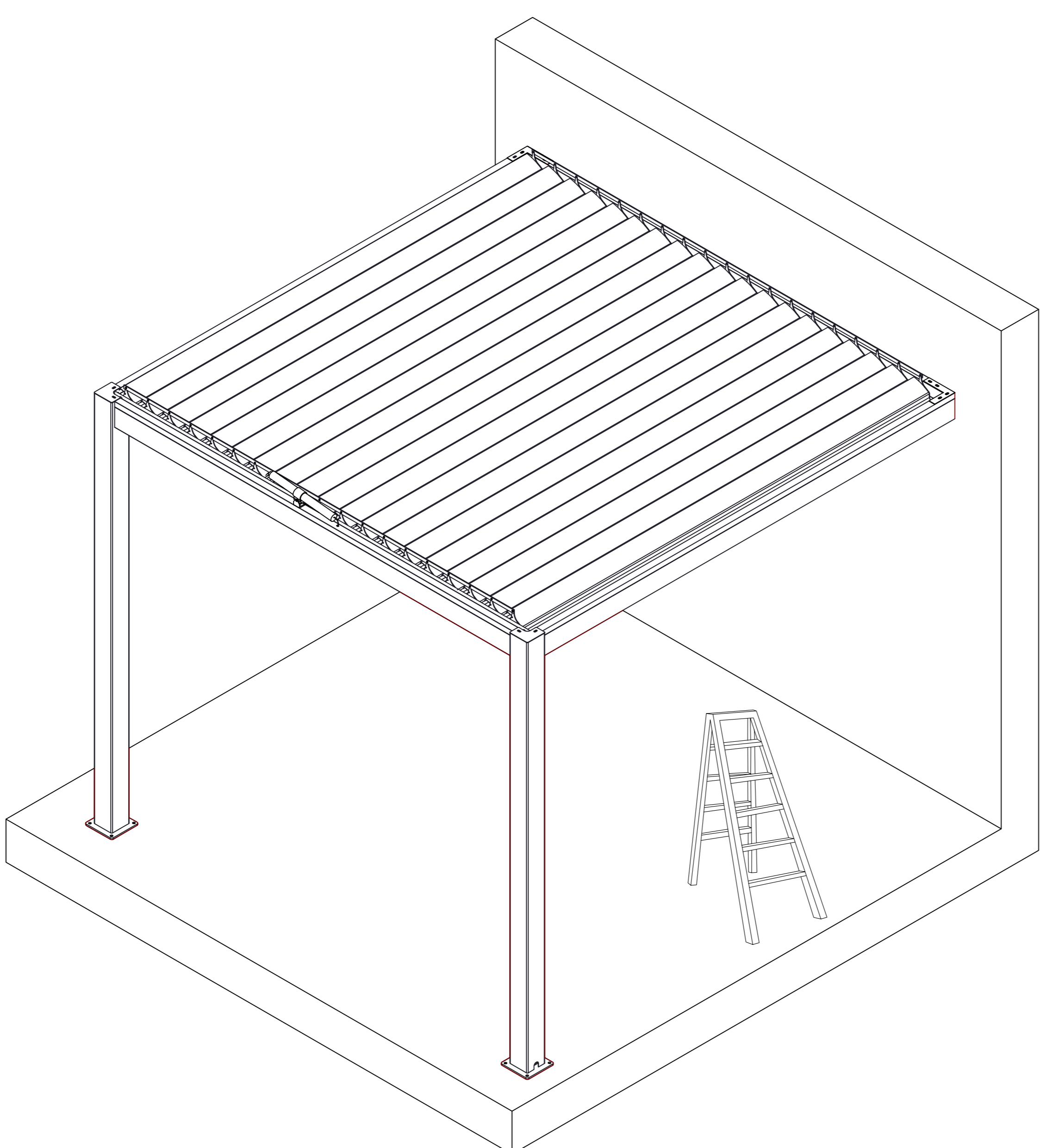
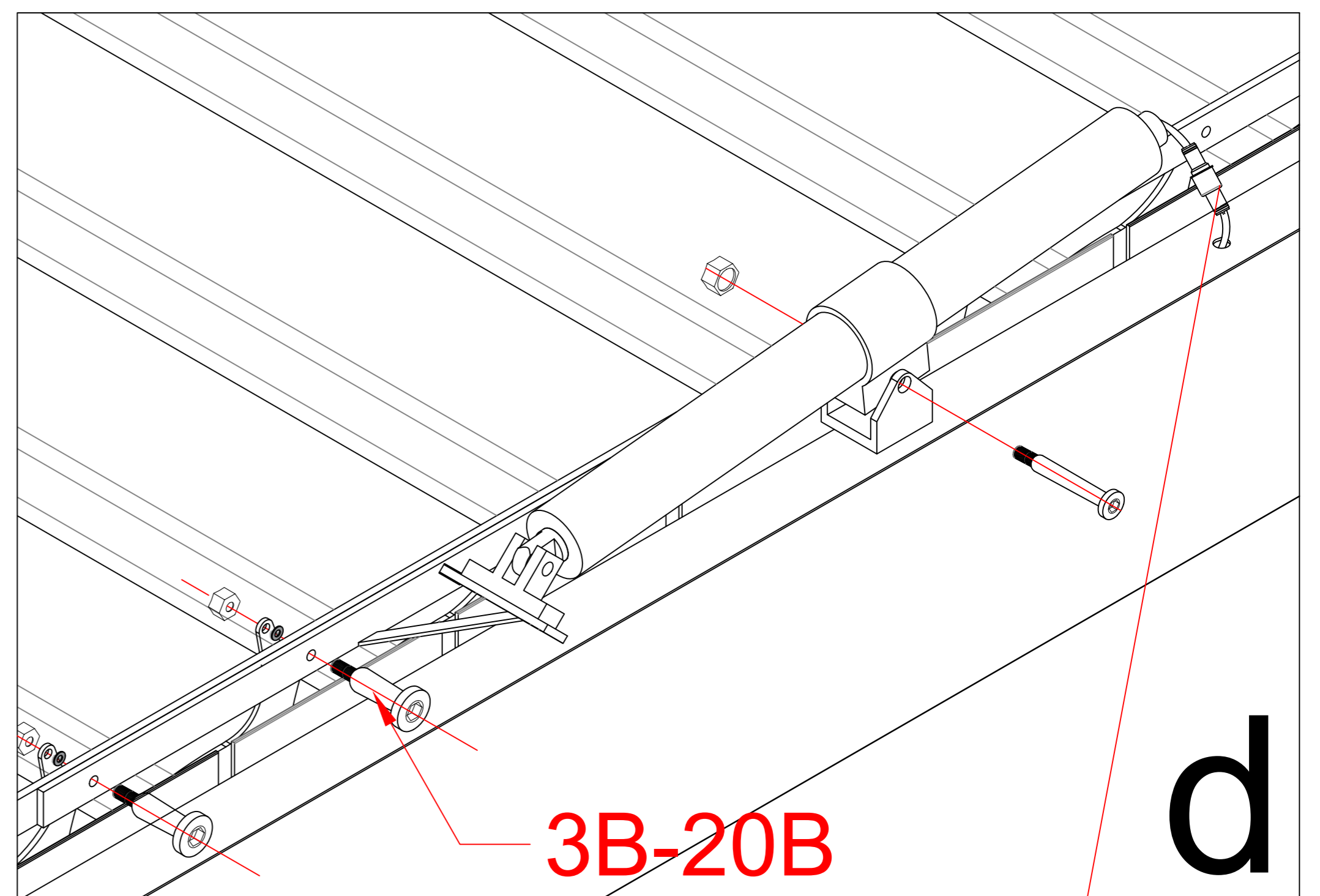
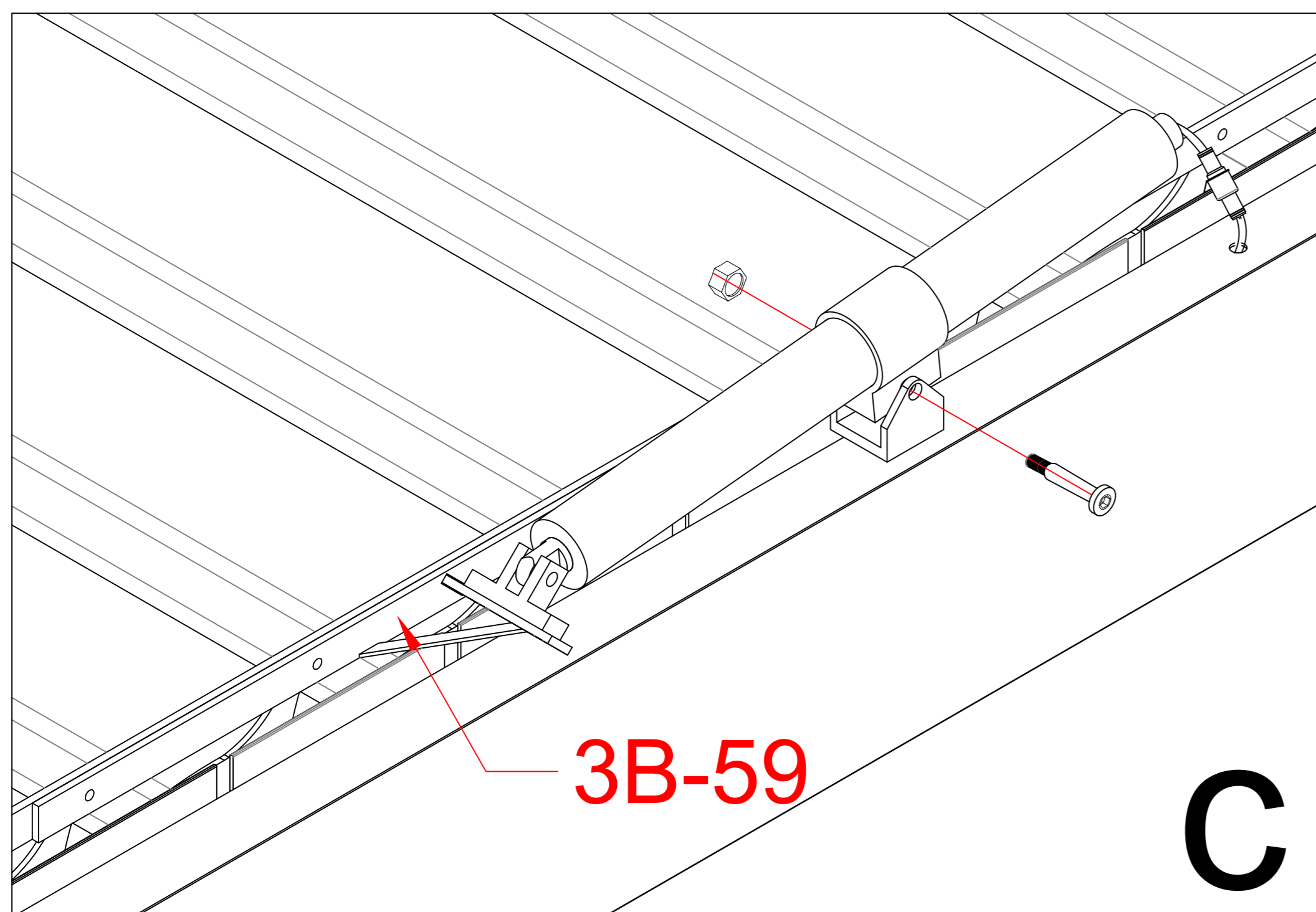
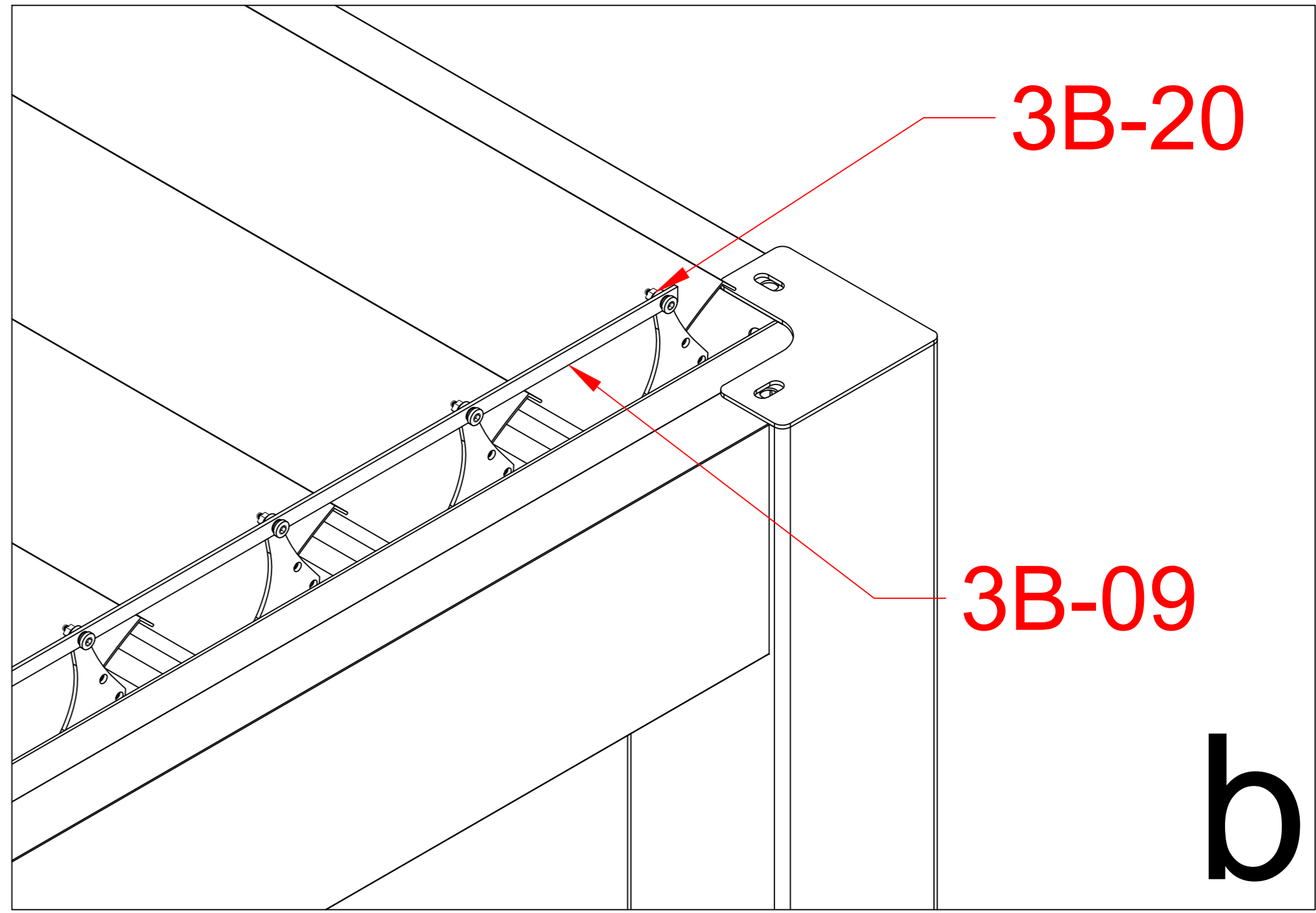
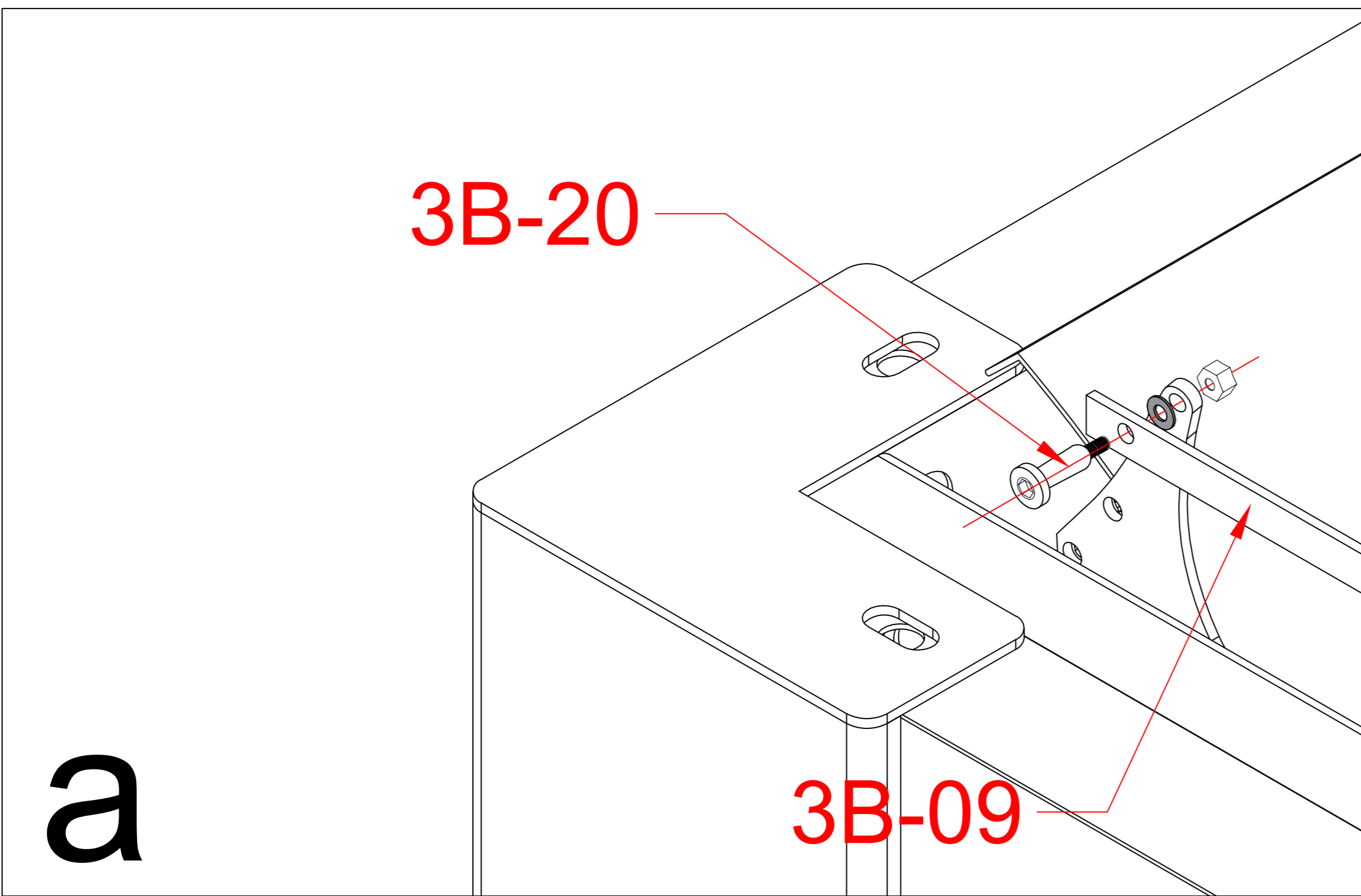
3B-57	
3B-06	
3B-07	



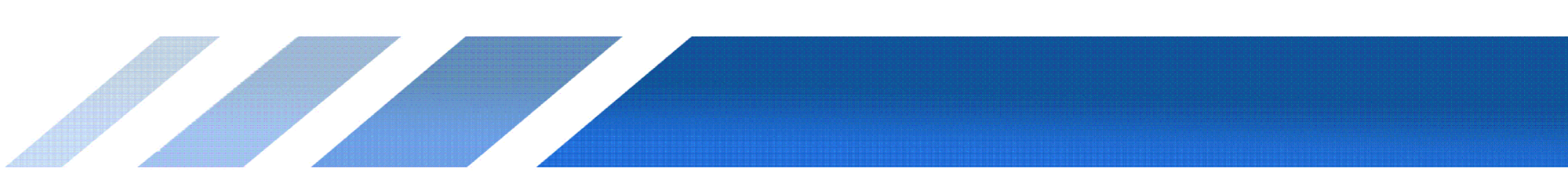


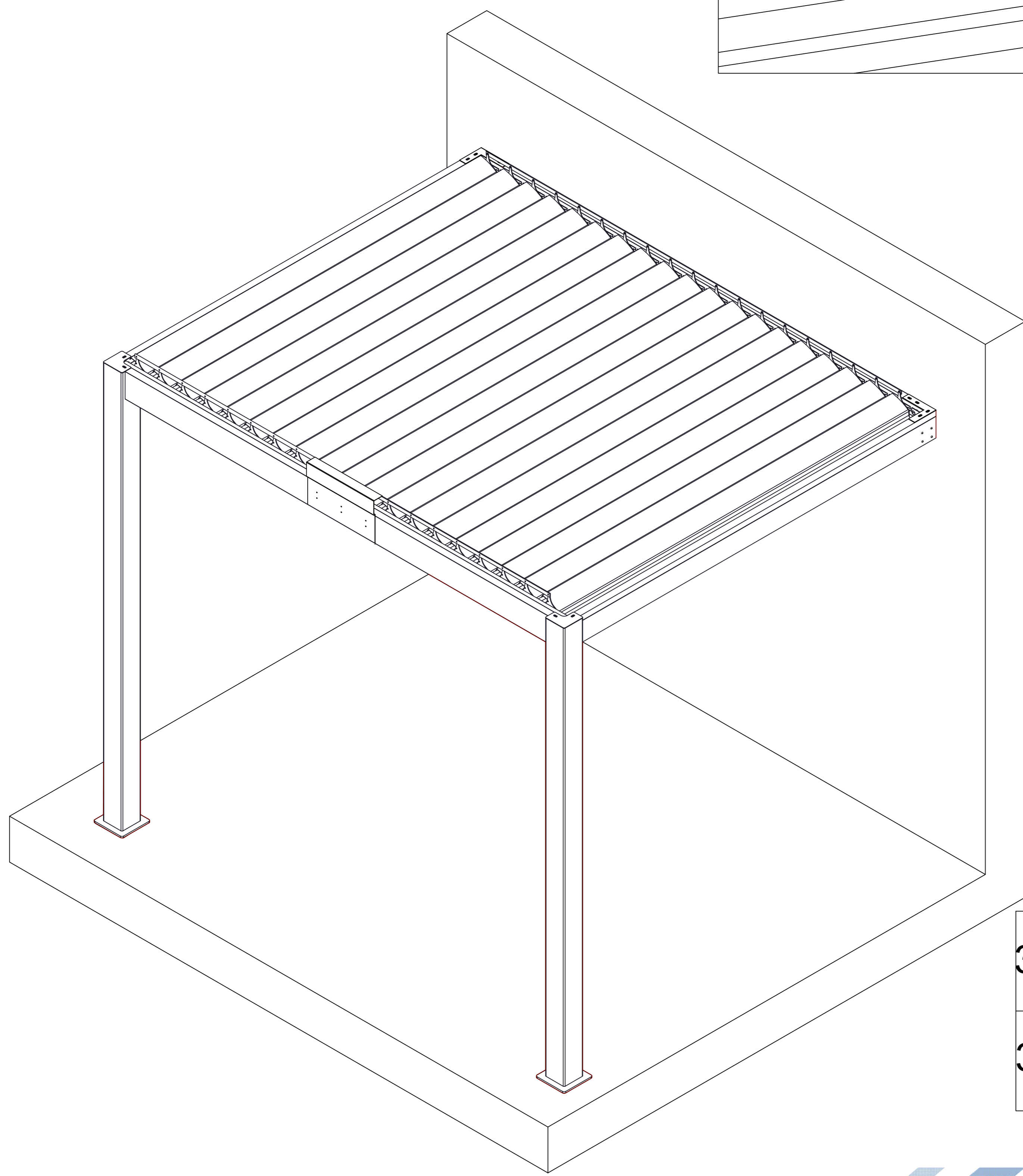
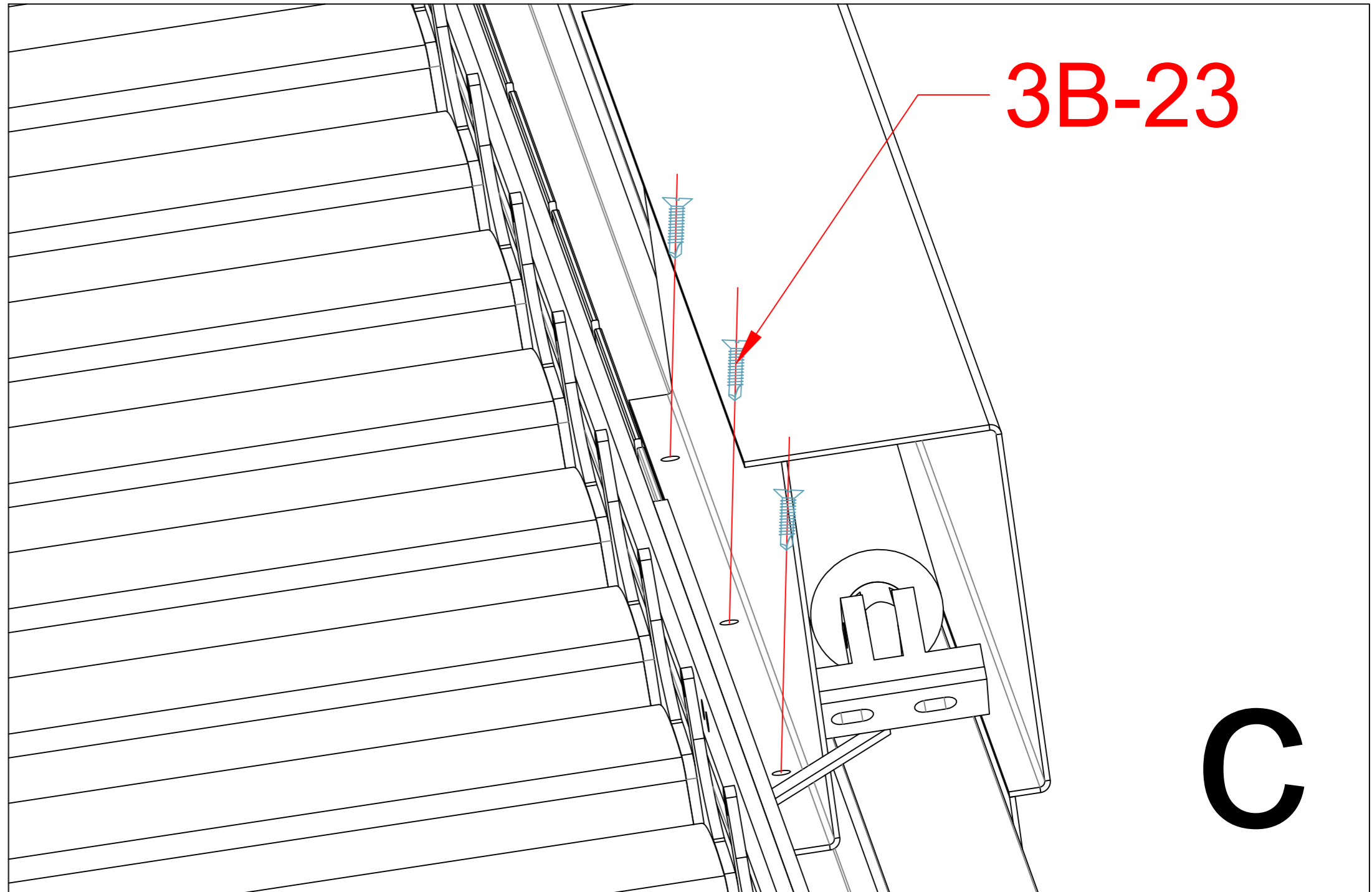
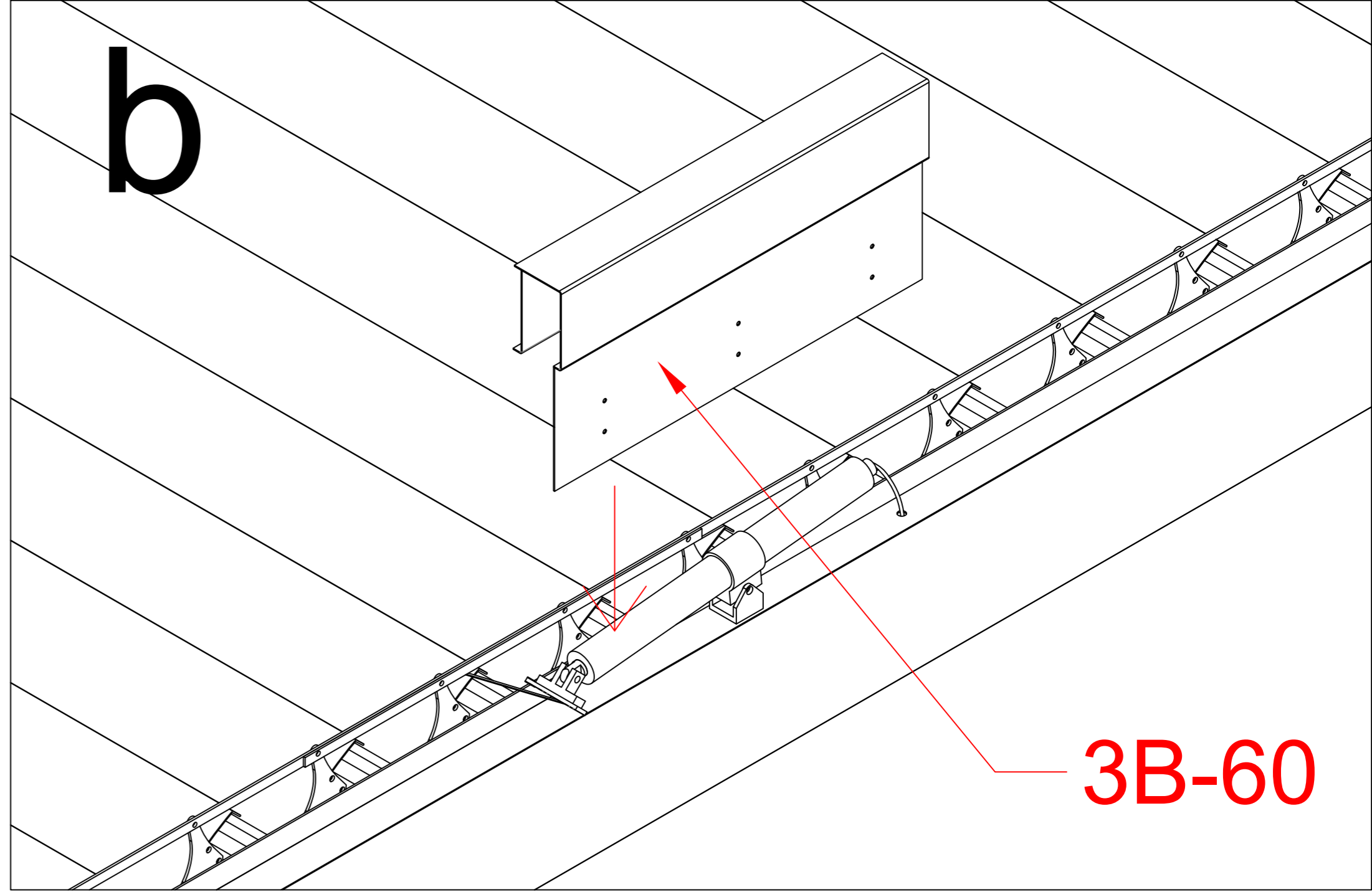
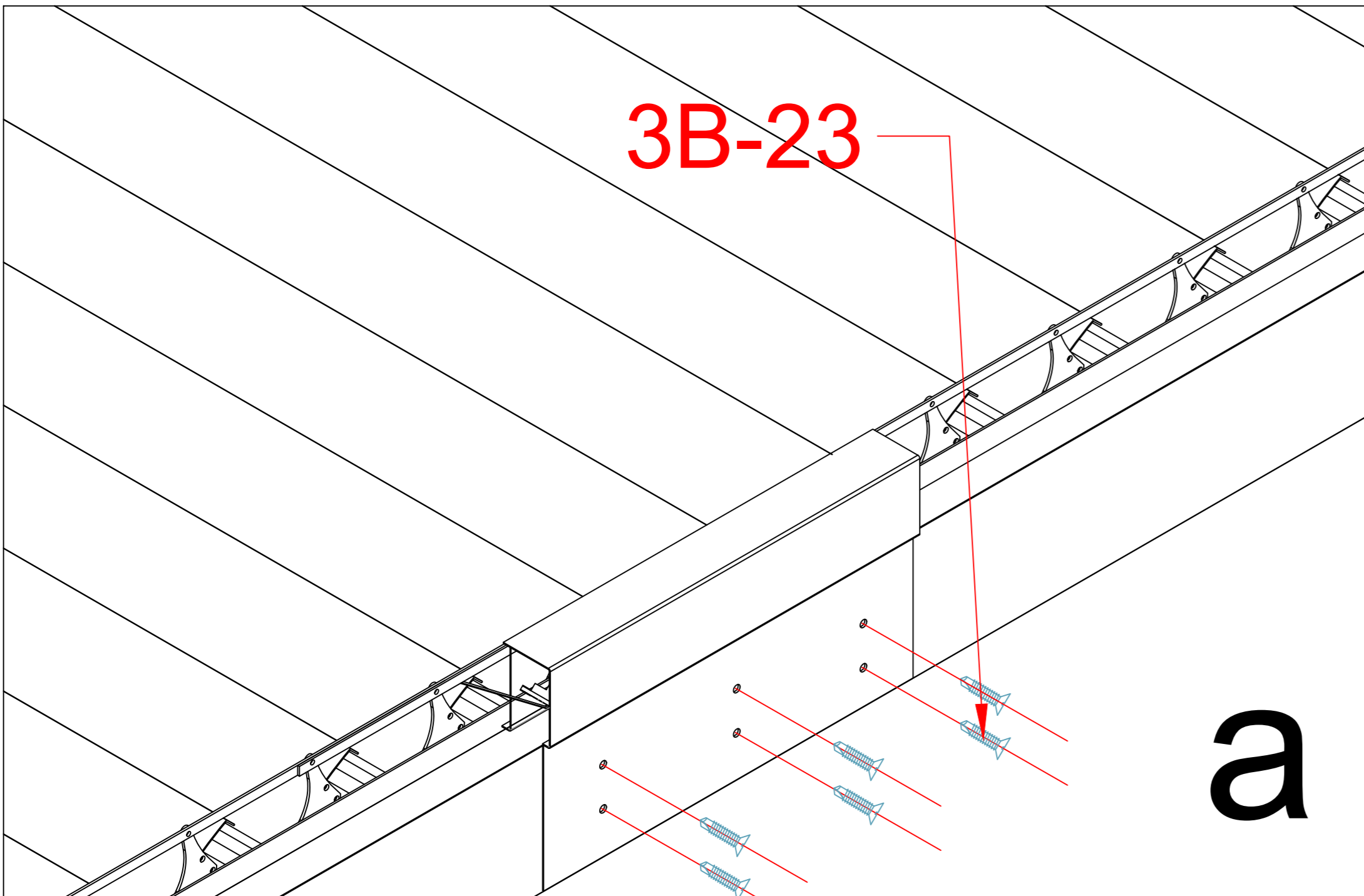
3B-14		1
3B-59		1

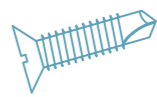
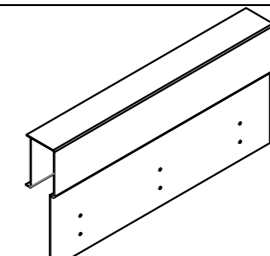


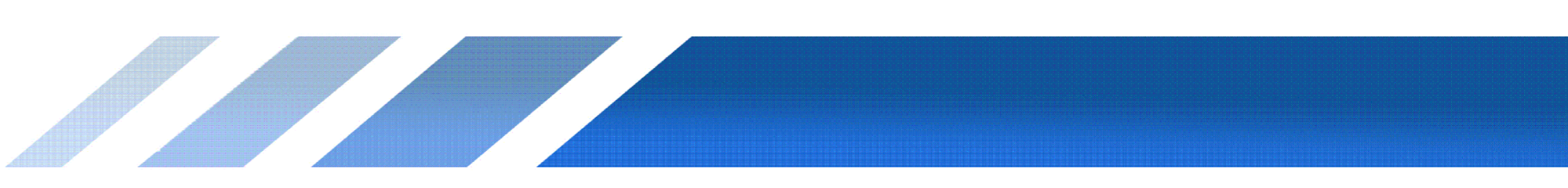


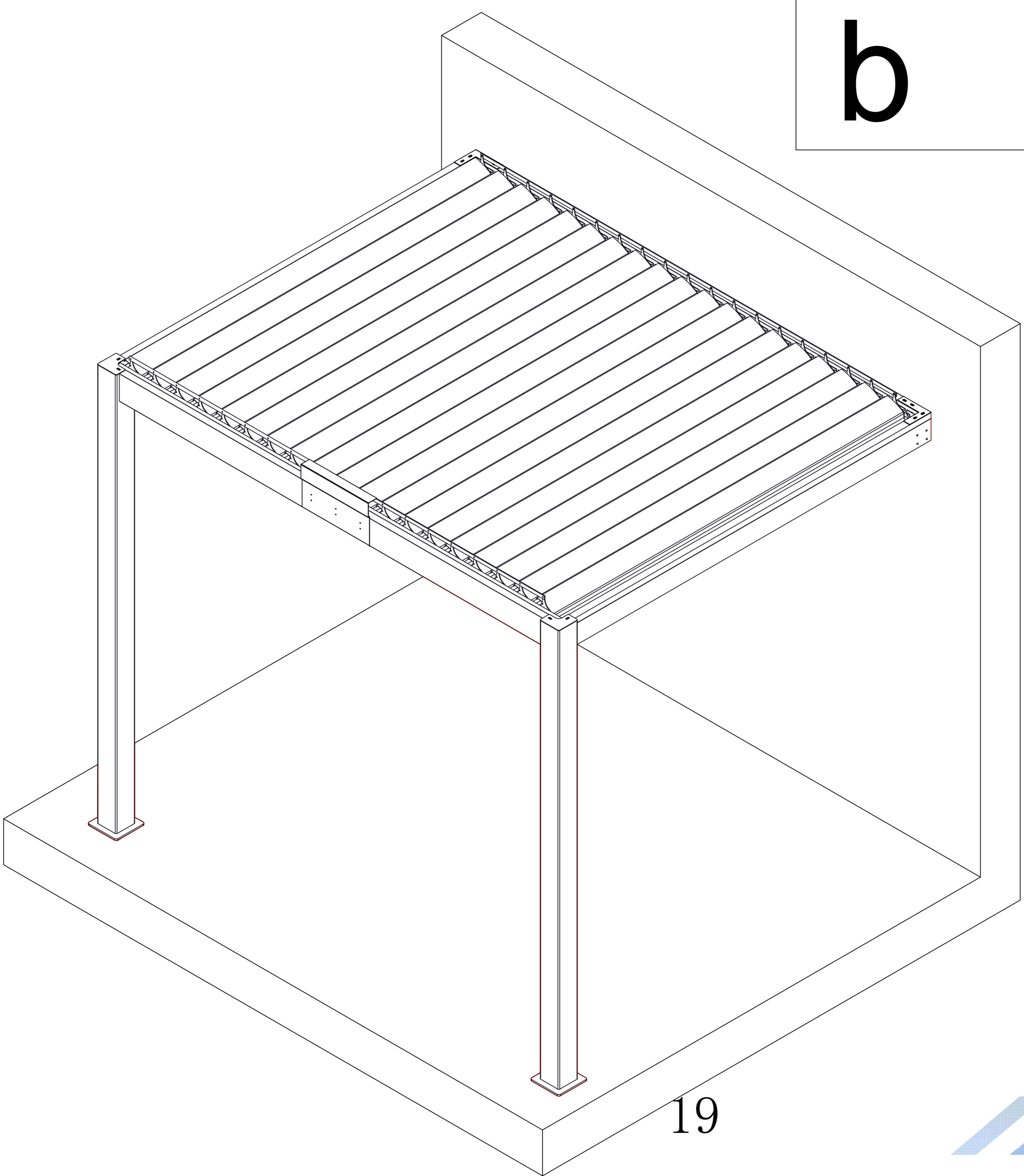
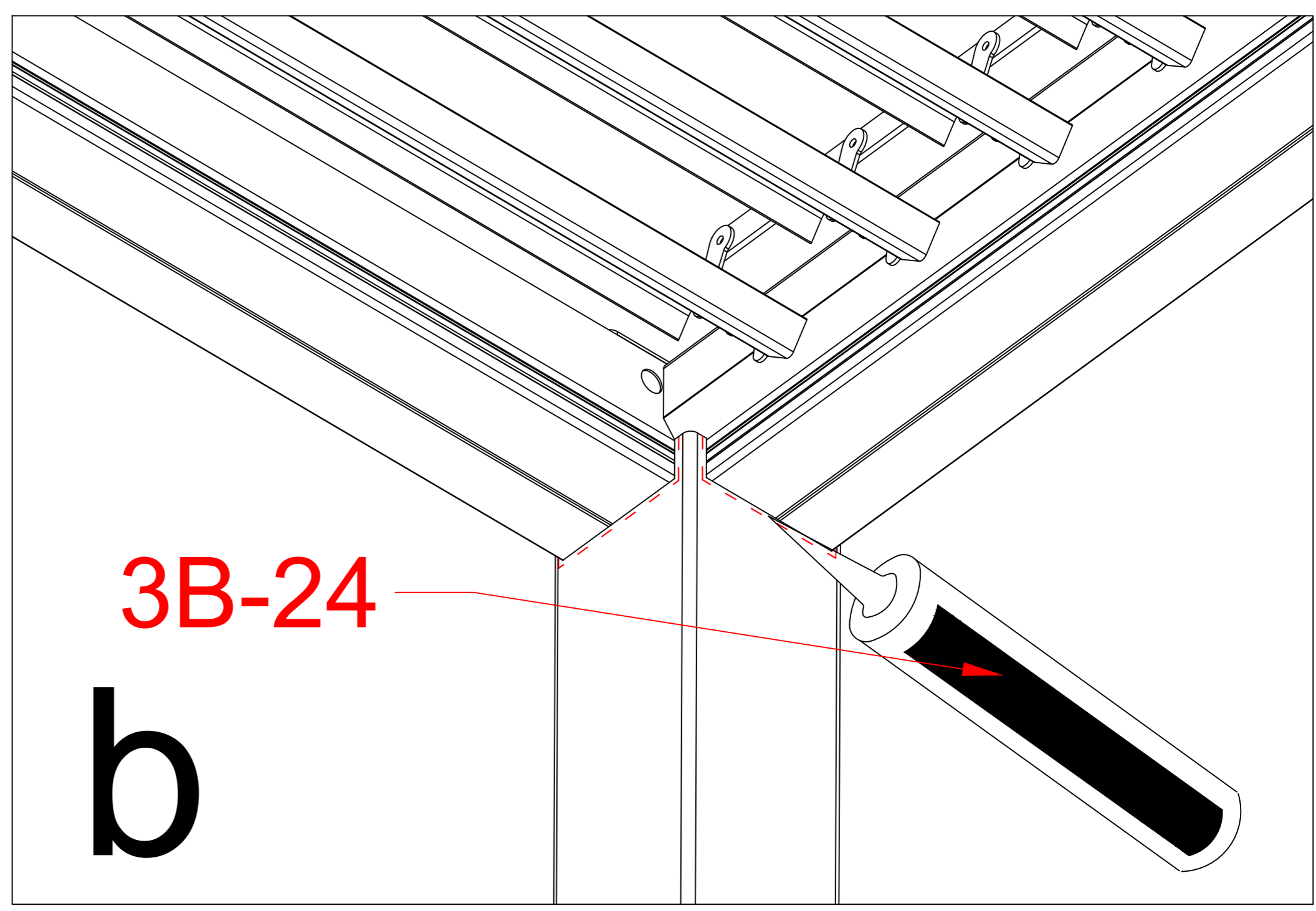
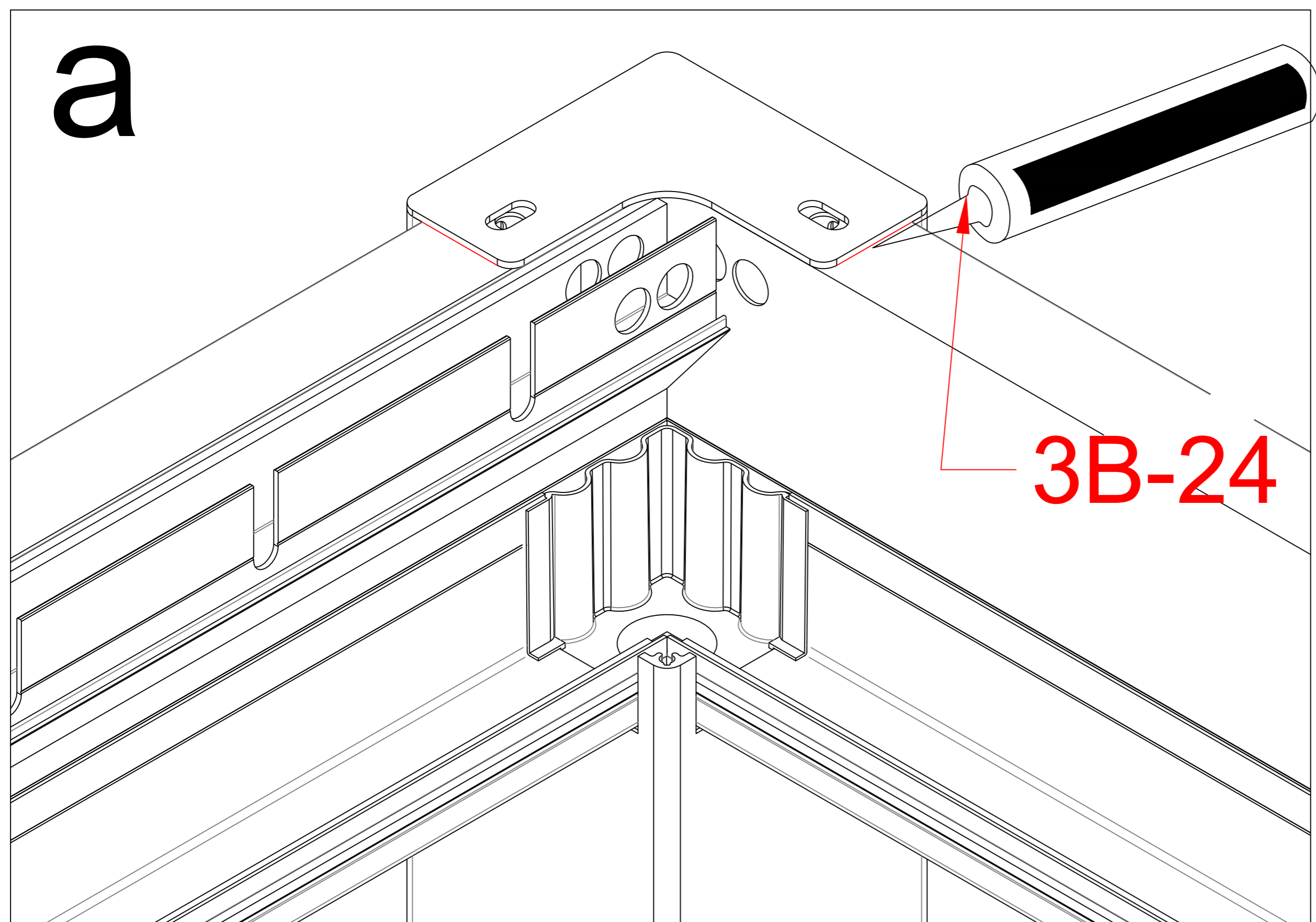
3B-09		2
3B-20	5-12-M4	x
3B-20B	5-16-M4	x

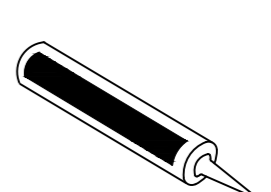


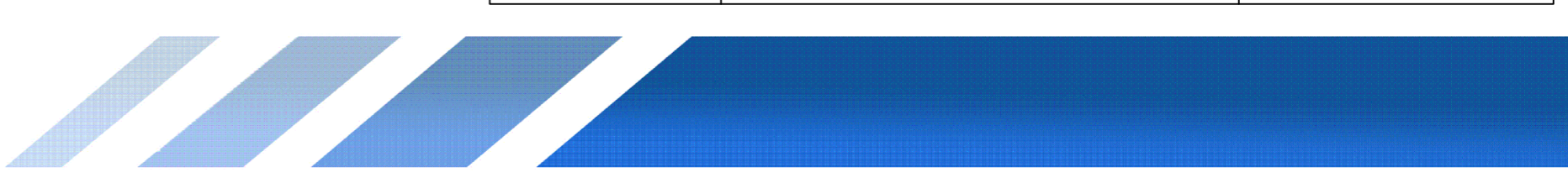


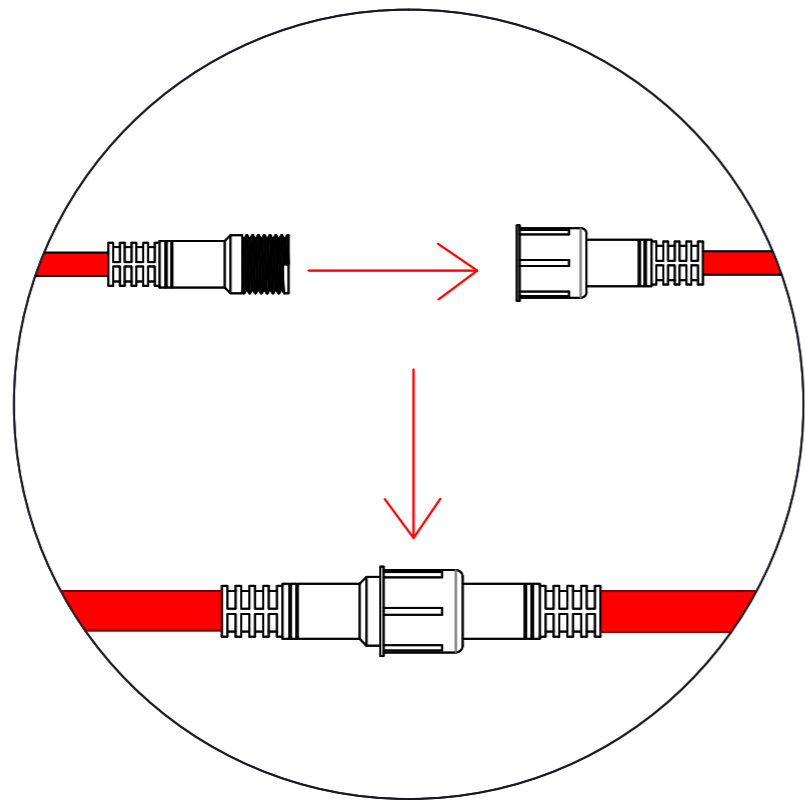
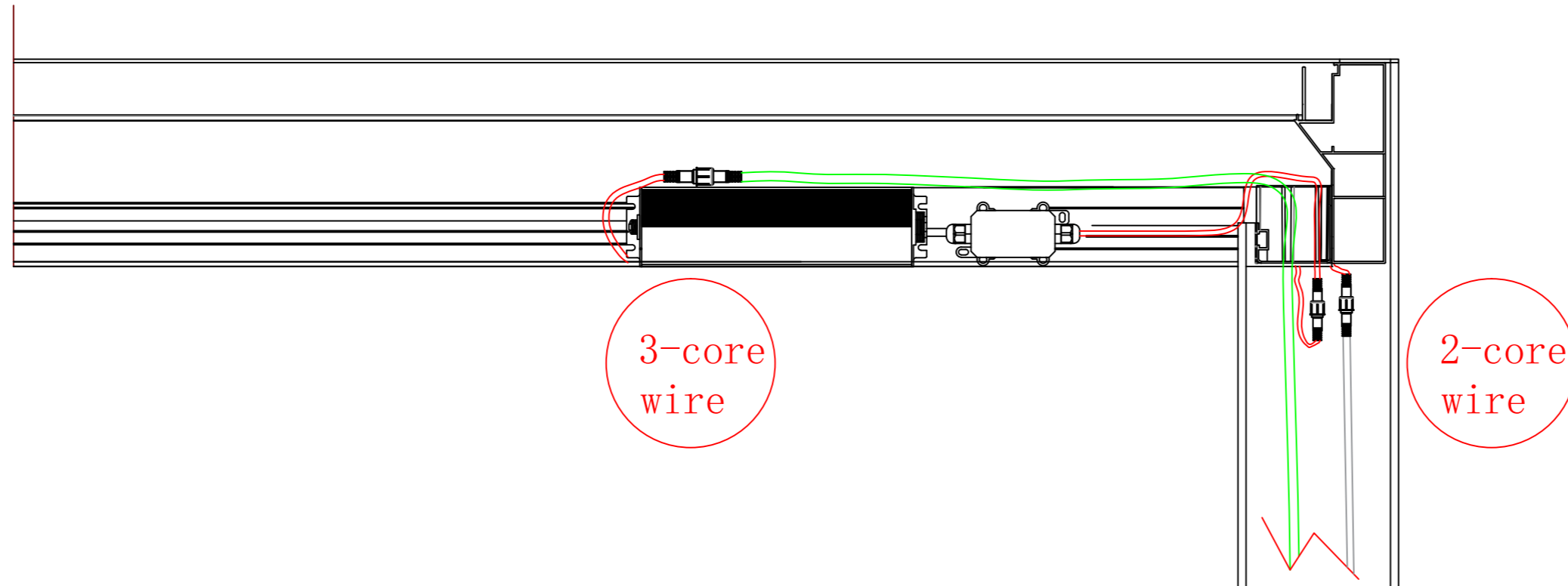
3B-23	 M4.2*19	9
3B-60		1





3B-24		1
-------	---	---



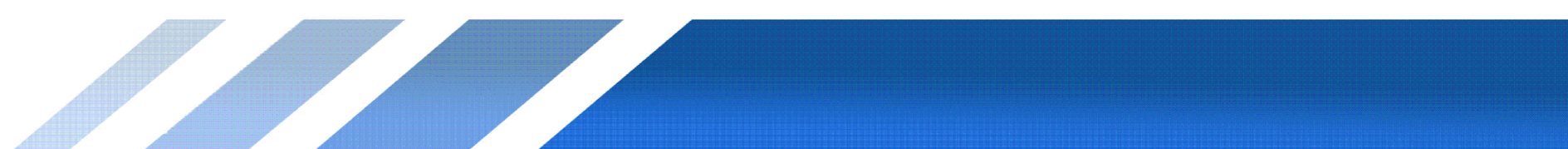
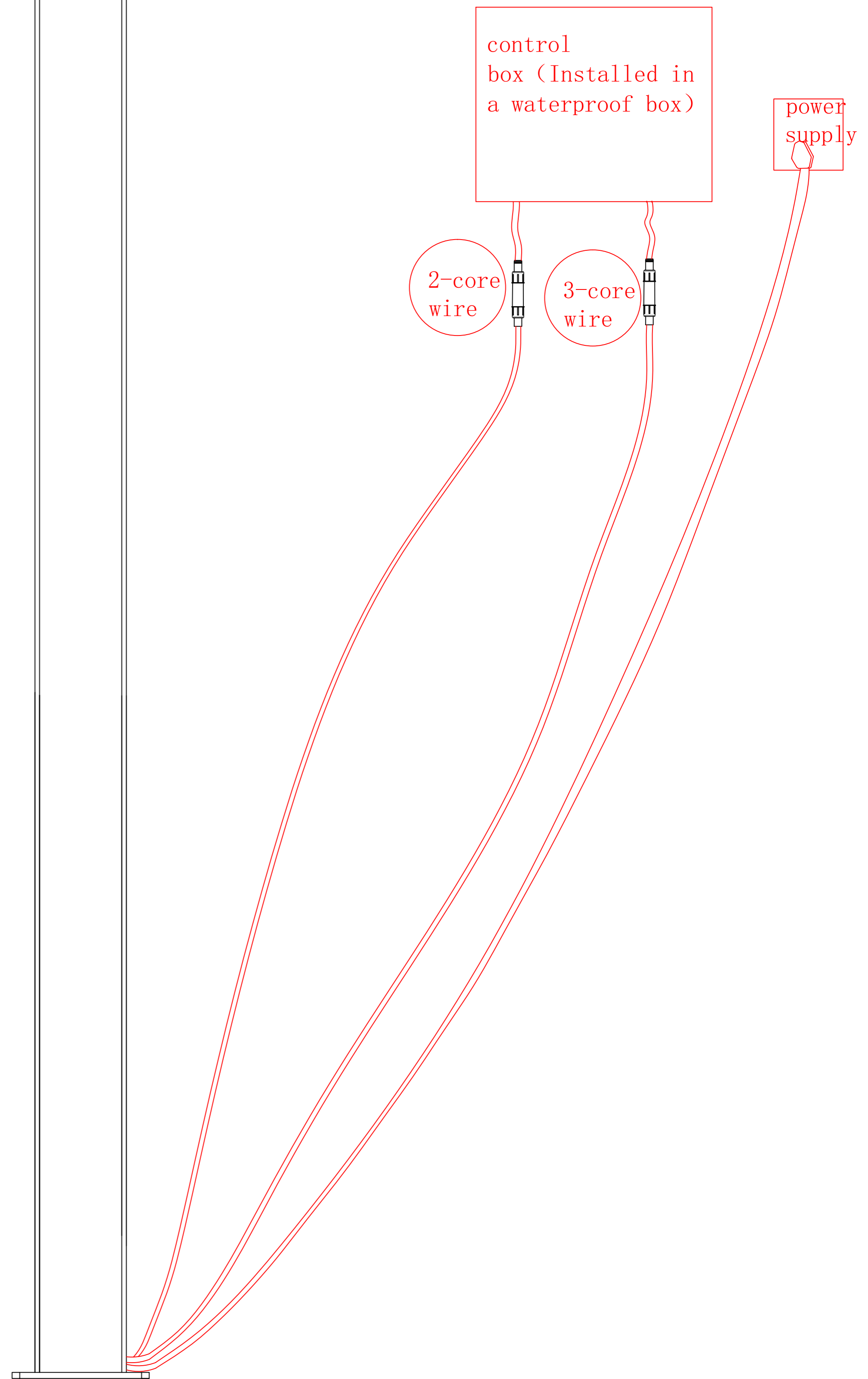
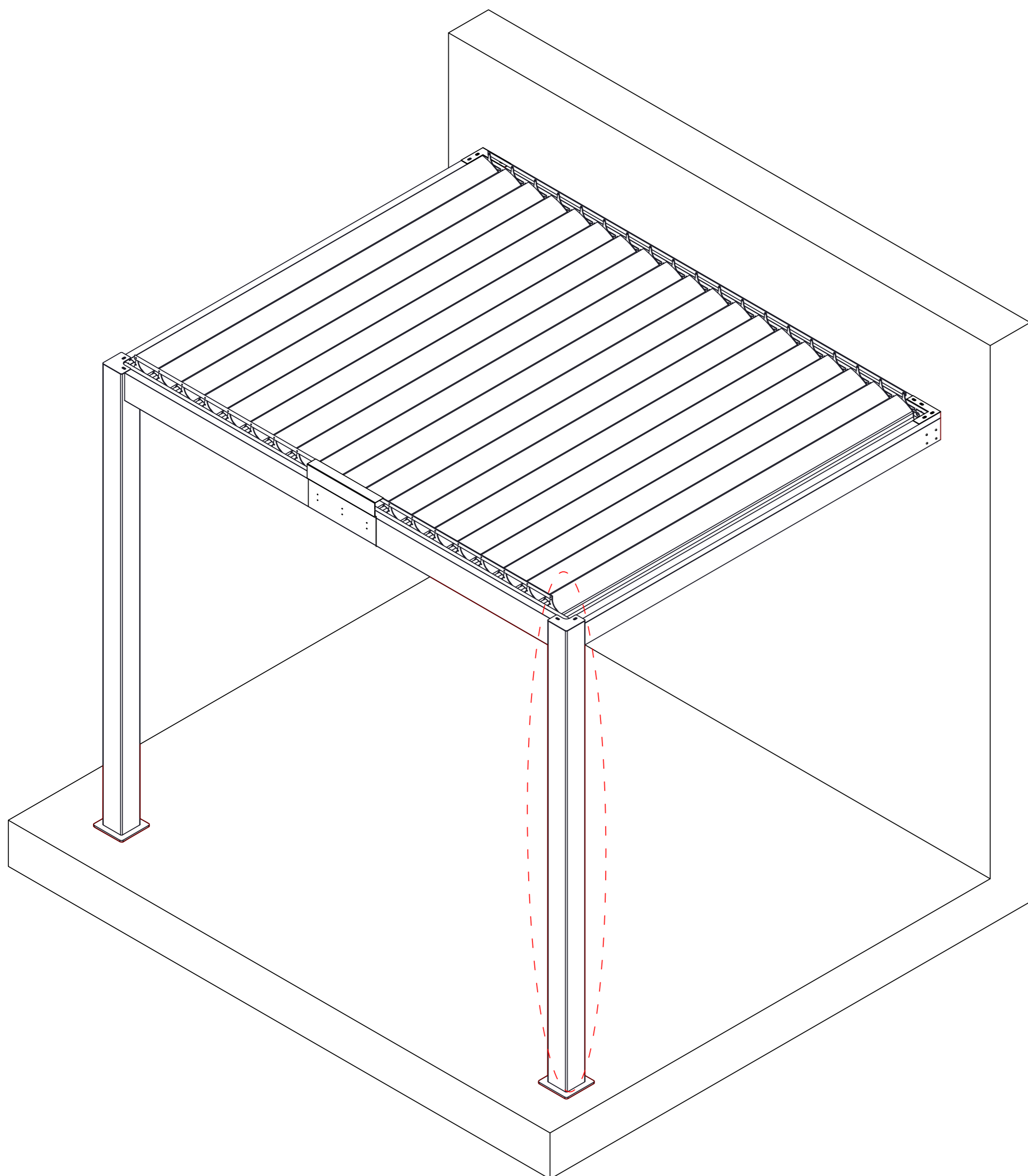


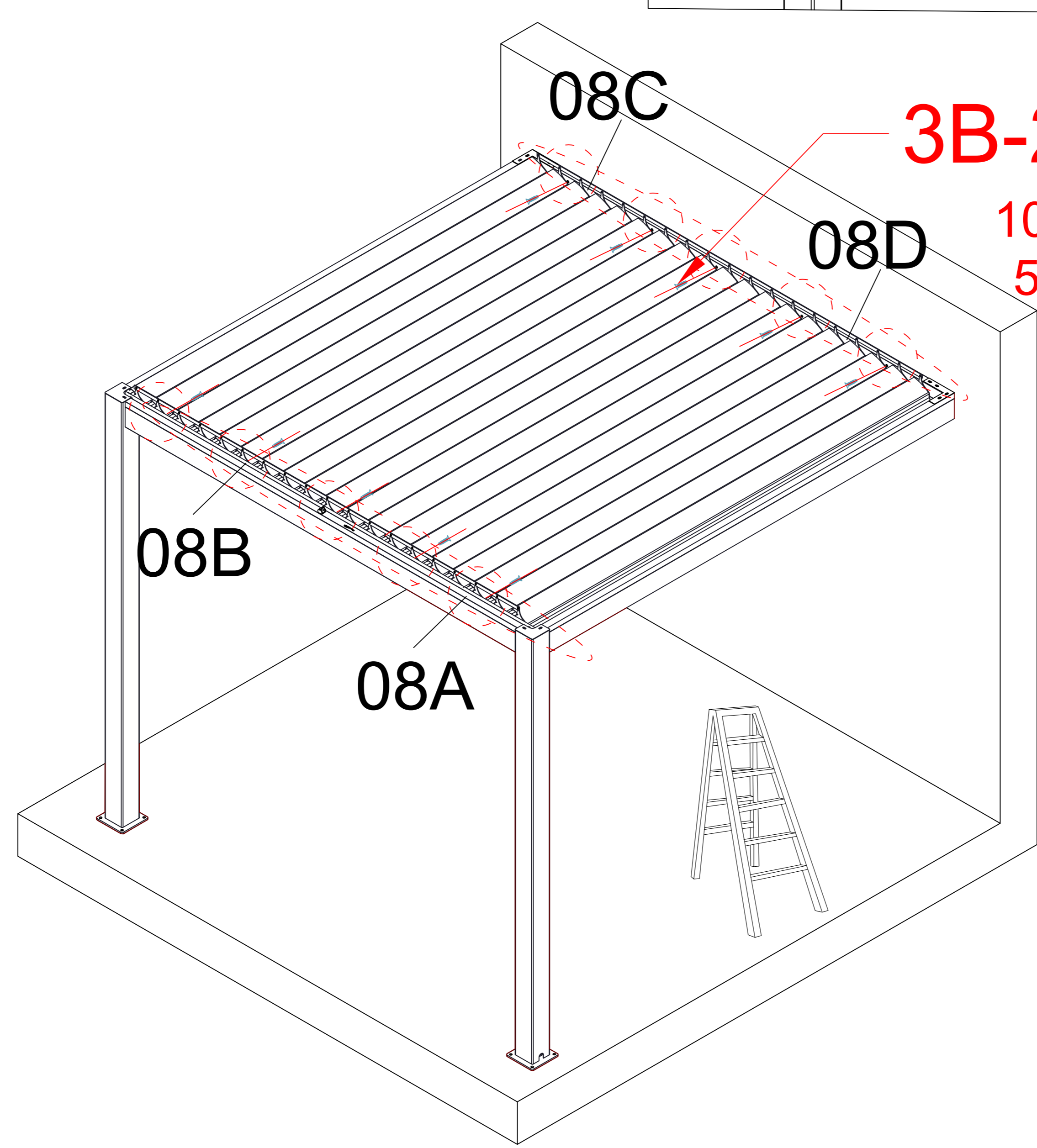
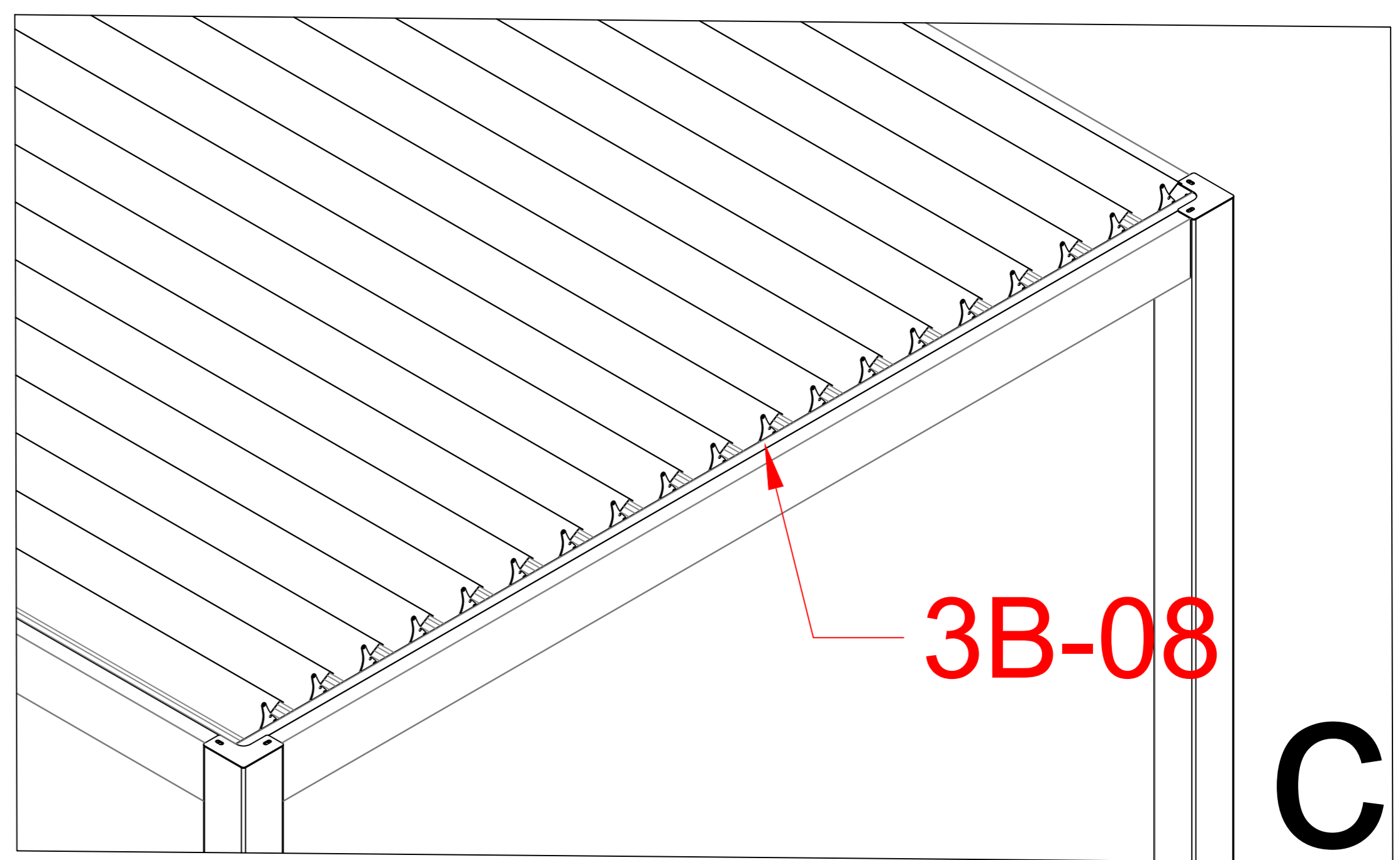
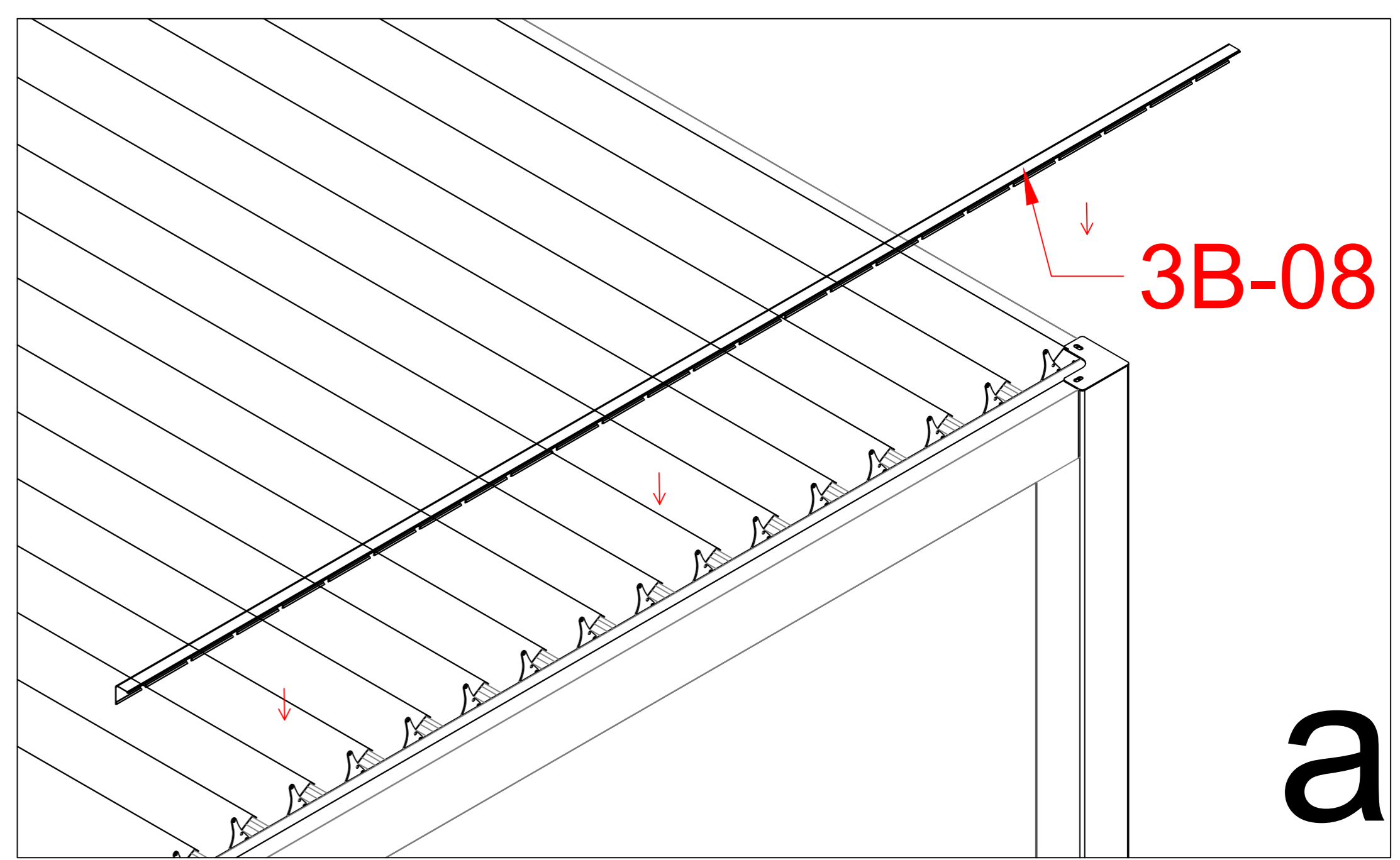
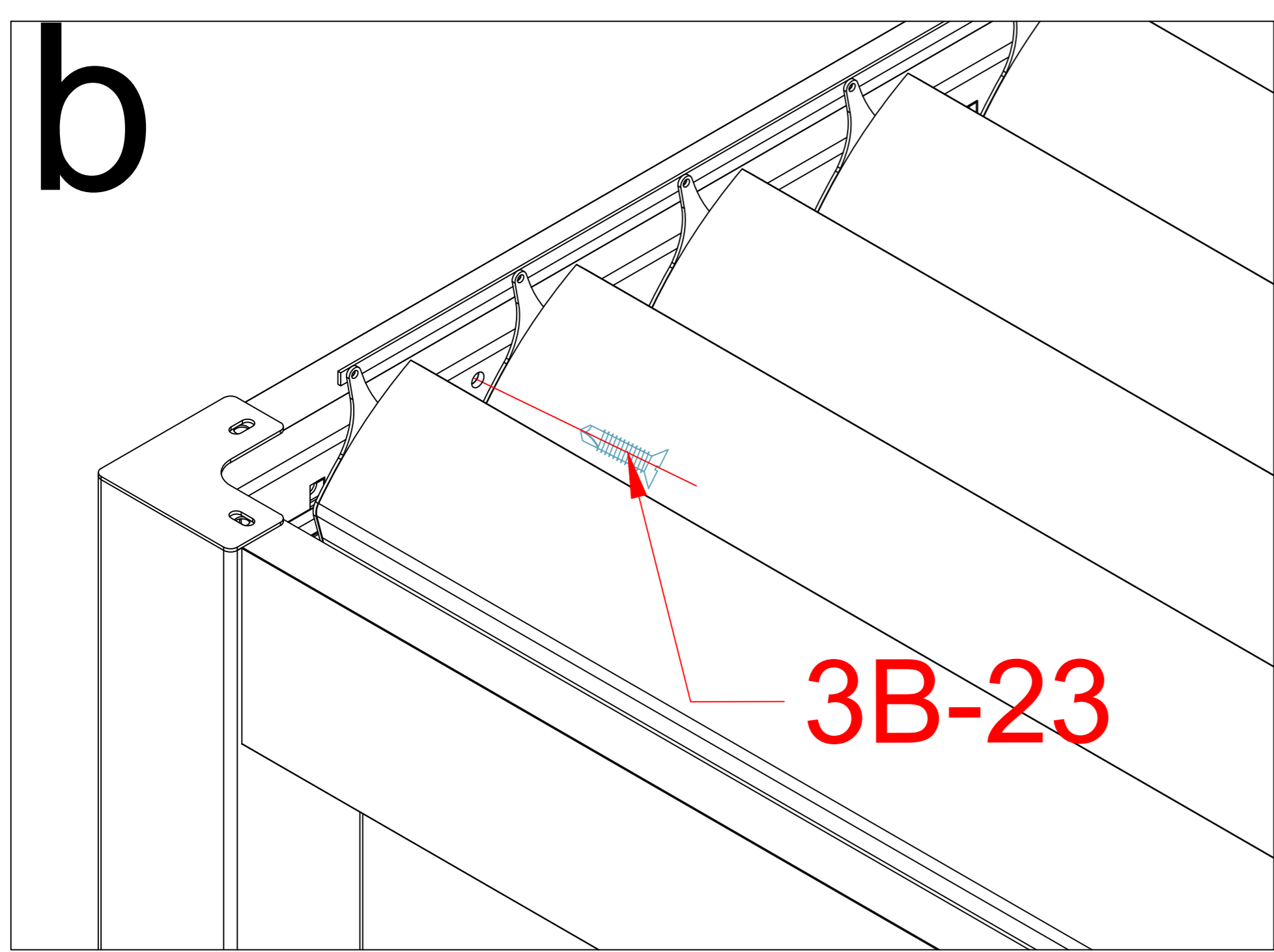
Wires Diagram

Power in: 220V

Power Out To

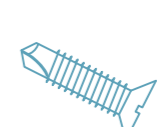
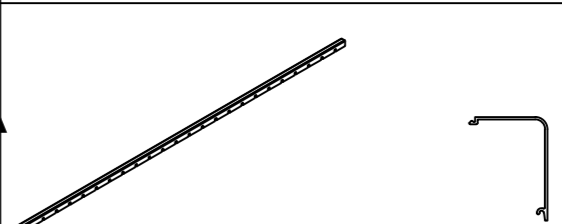
Motor: DC24V





3B-23

10 screws: 5 screws / strip
5M:20 screws: 5 screws / strip

3B-23		X
3B-08A 08B		X

