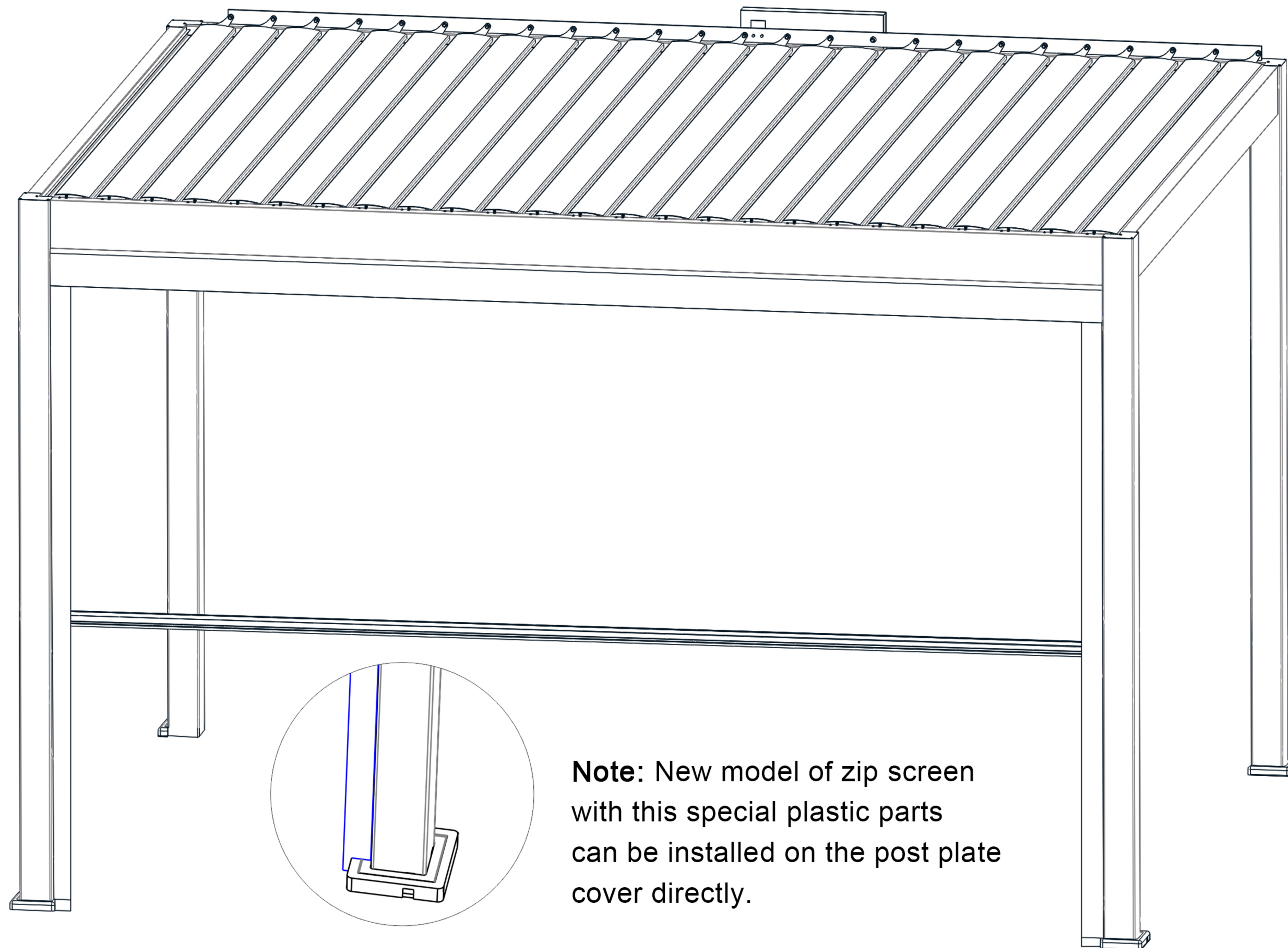




LIVING CULTURE

Manual Control Zip Screen

Installation instructions



Note: New model of zip screen with this special plastic parts can be installed on the post plate cover directly.

Prepare tools before installation



Spirit level/Bubble level



Hand electric drill



Rubber hammer



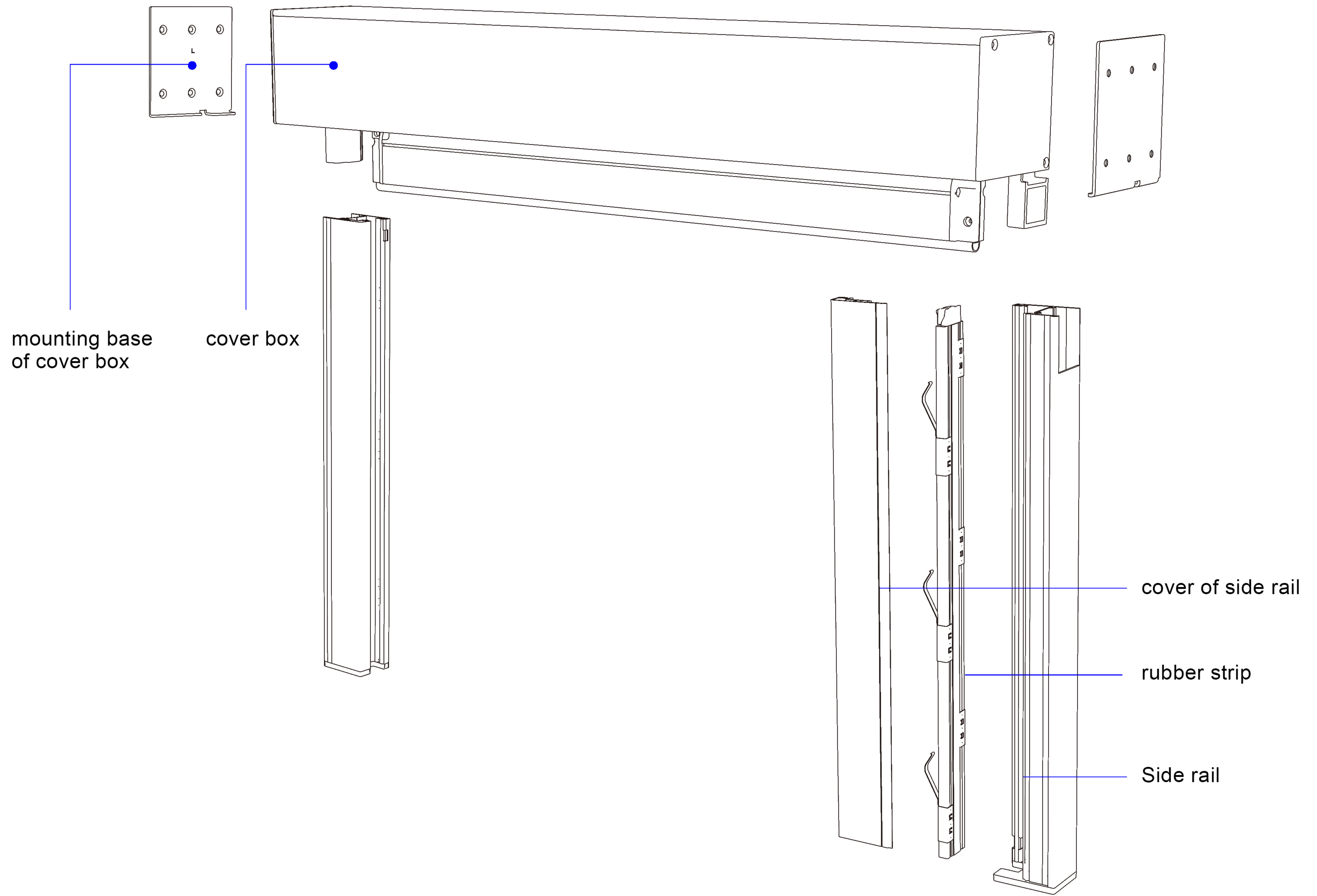
Tape measure



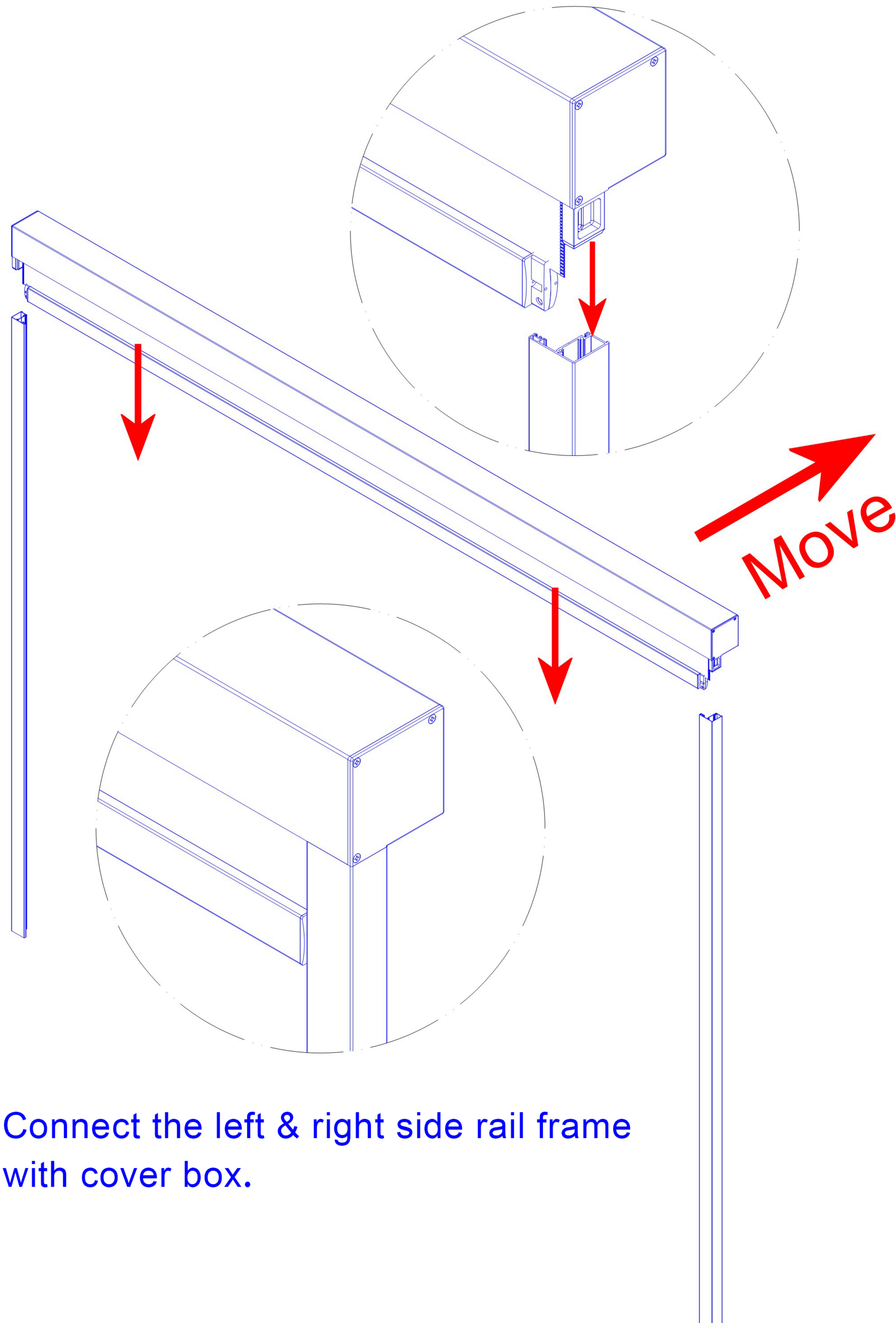
Phillips screwdriver
Slotted screwdriver



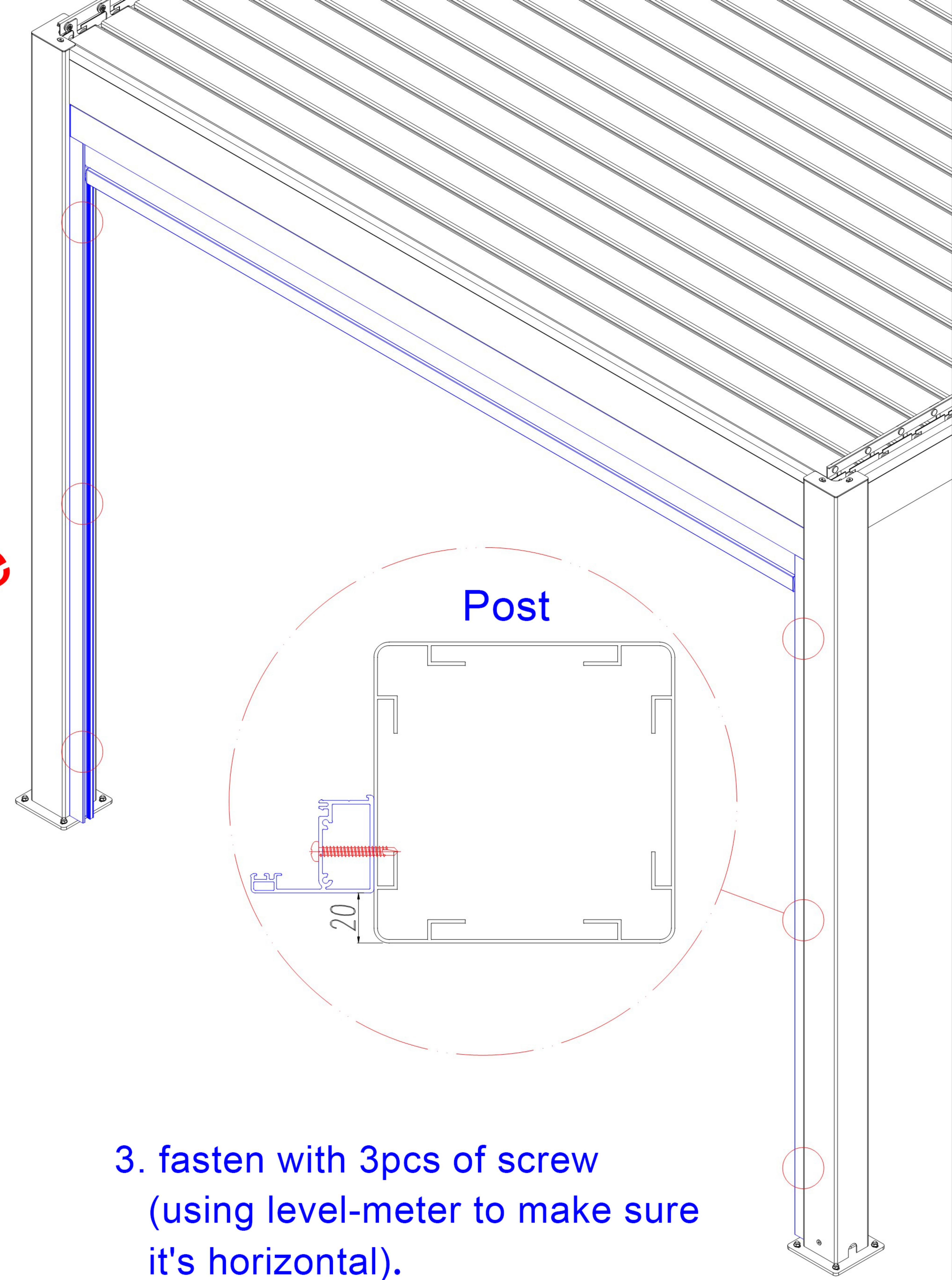
Screw pack



1. Open the cover of the side rail, separate side rail and take out rubber strip

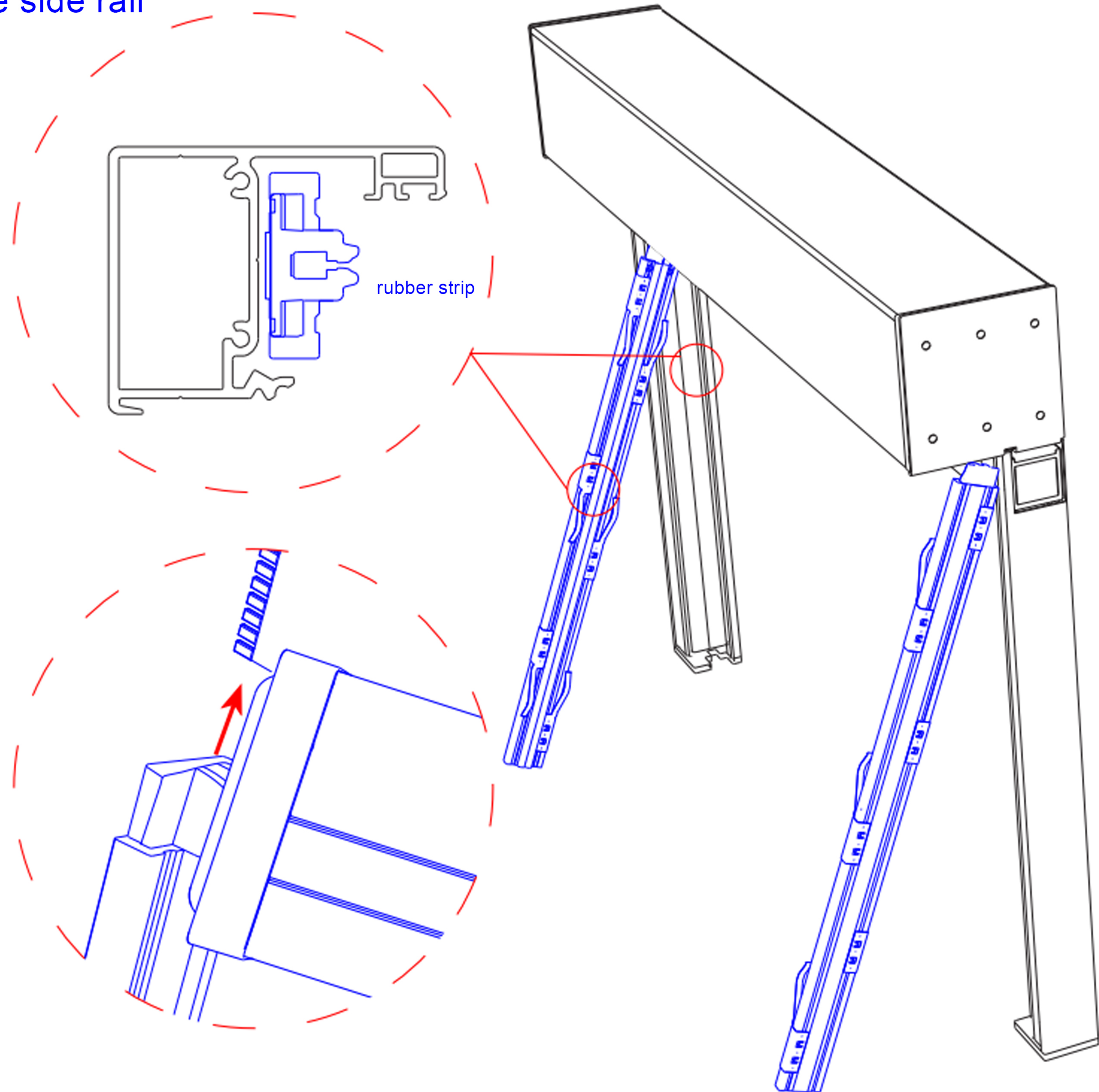


2. Connect the left & right side rail frame with cover box.

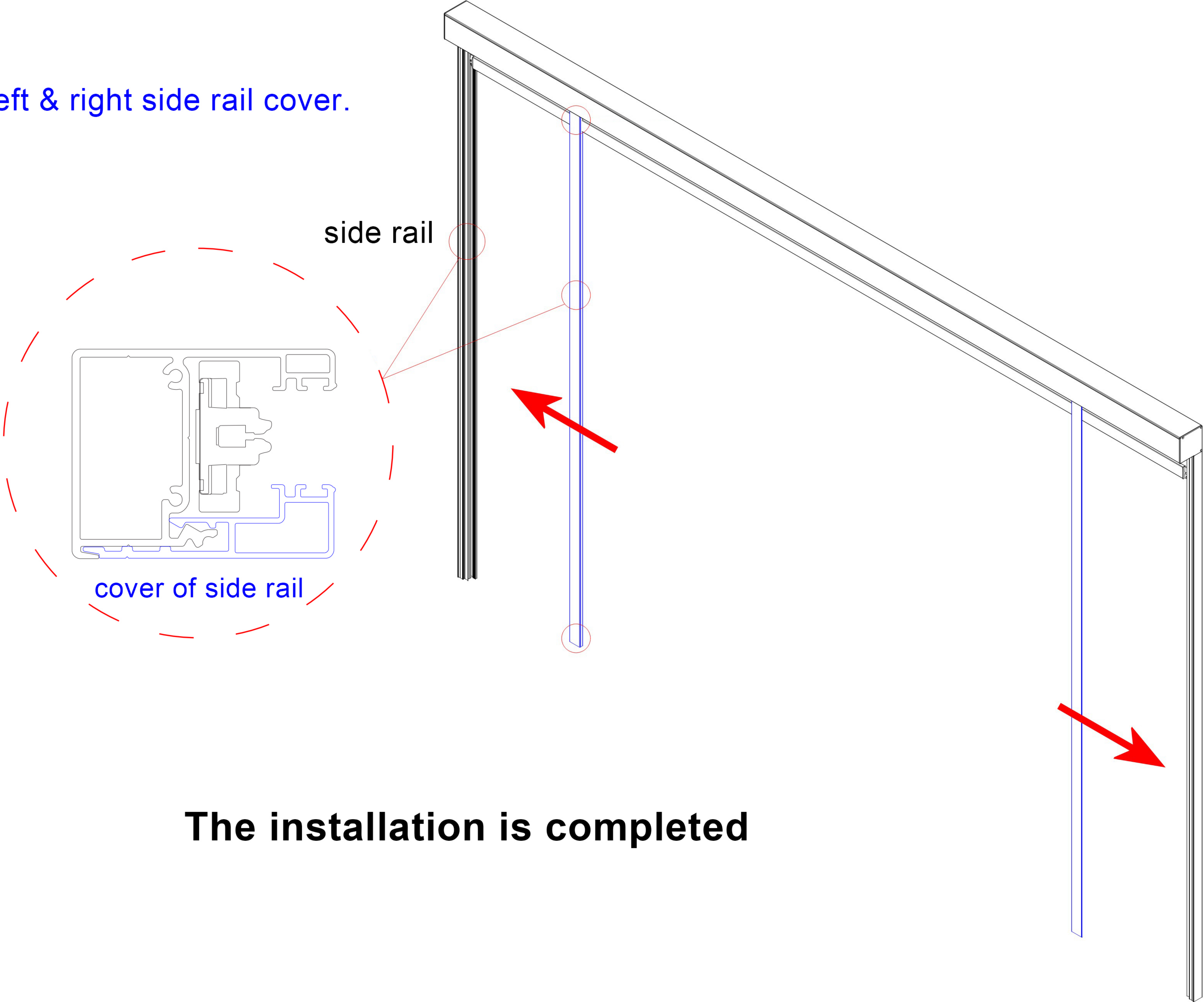


3. fasten with 3pcs of screw (using level-meter to make sure it's horizontal).

4. Insert the rubber strip into the side rail and link the fabric.



5. Cover the left & right side rail cover.



The installation is completed