

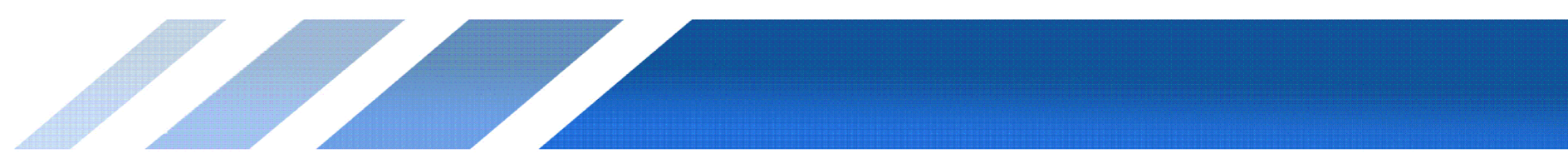
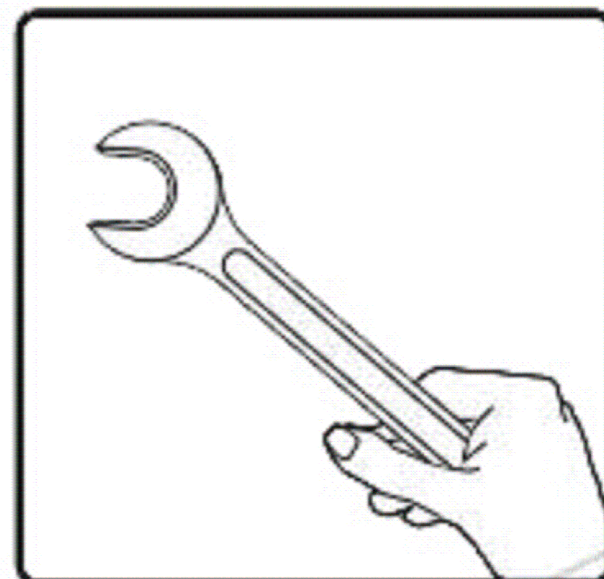
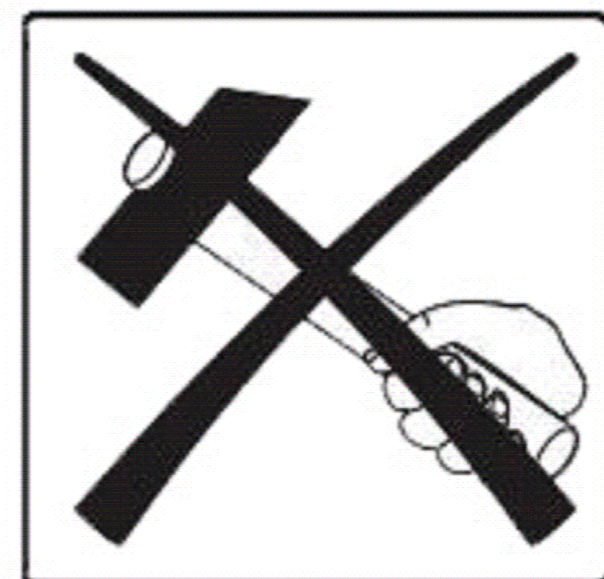
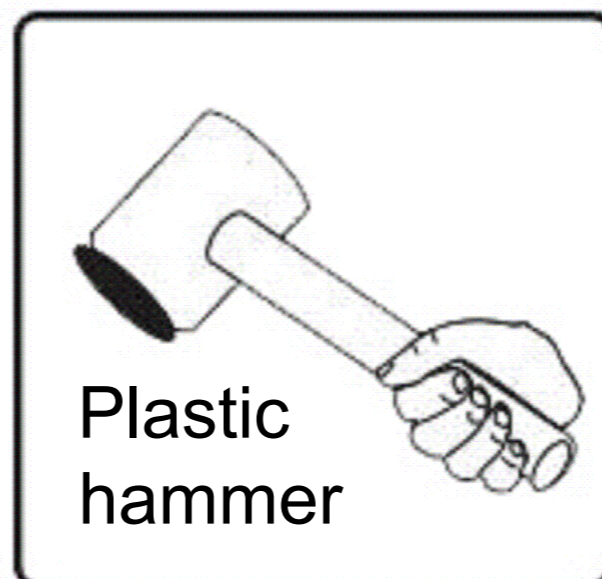
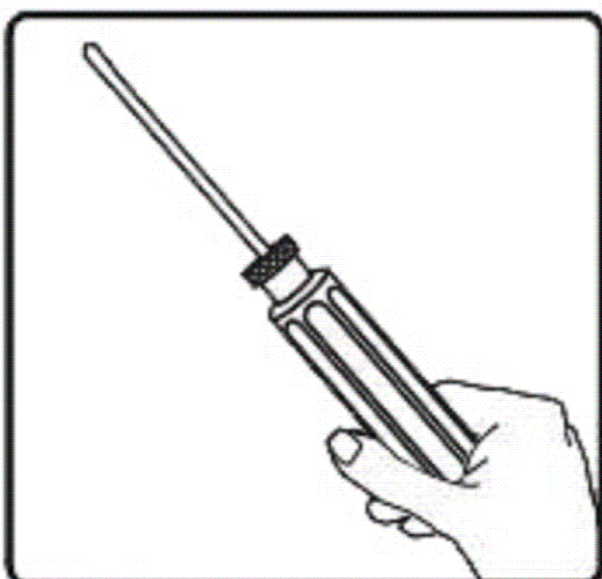
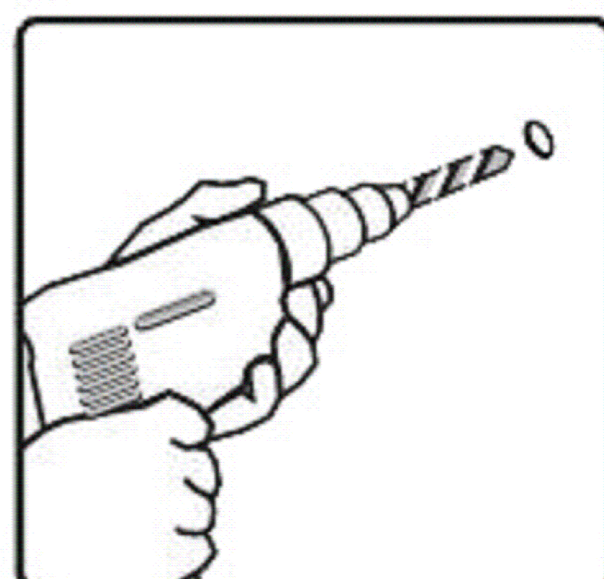
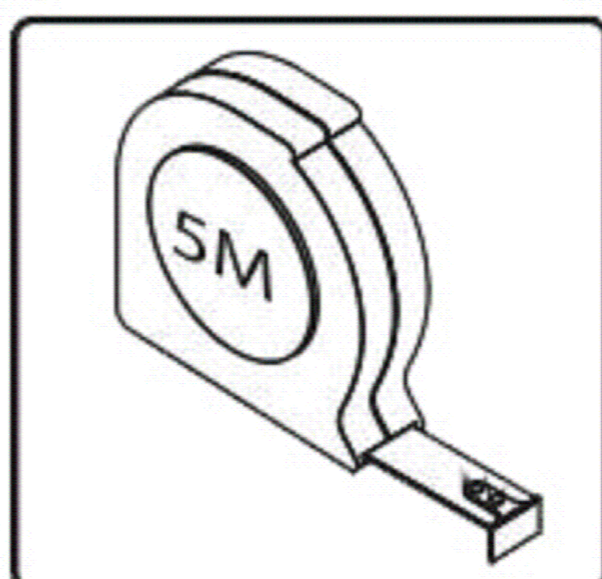
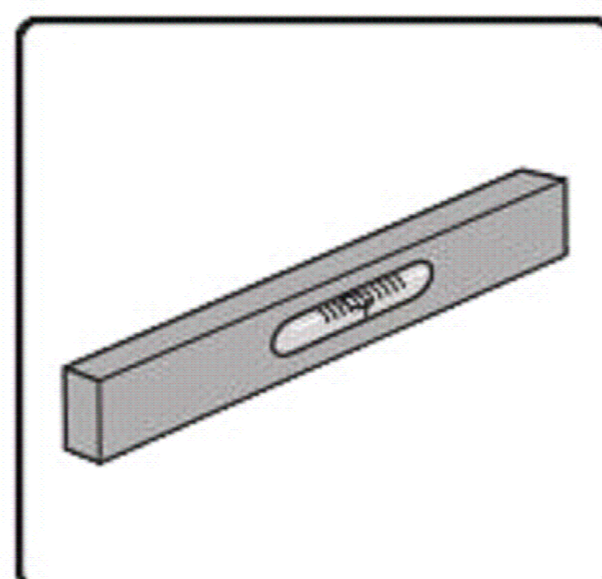
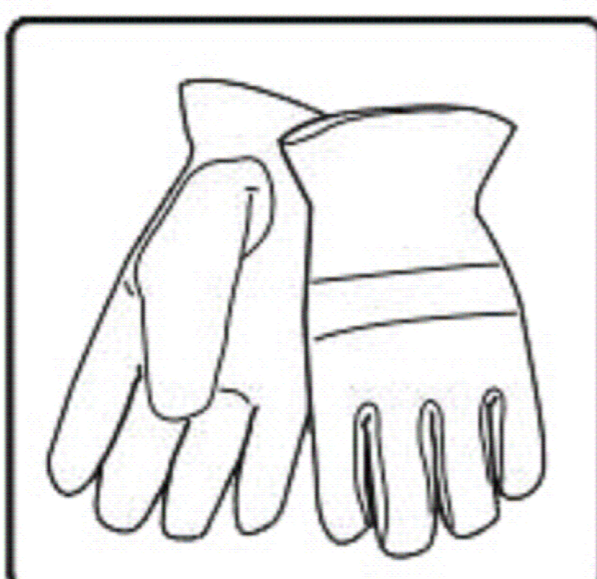
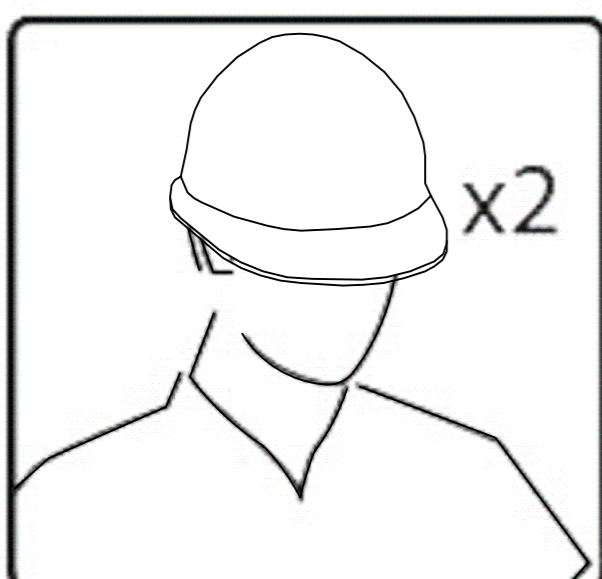
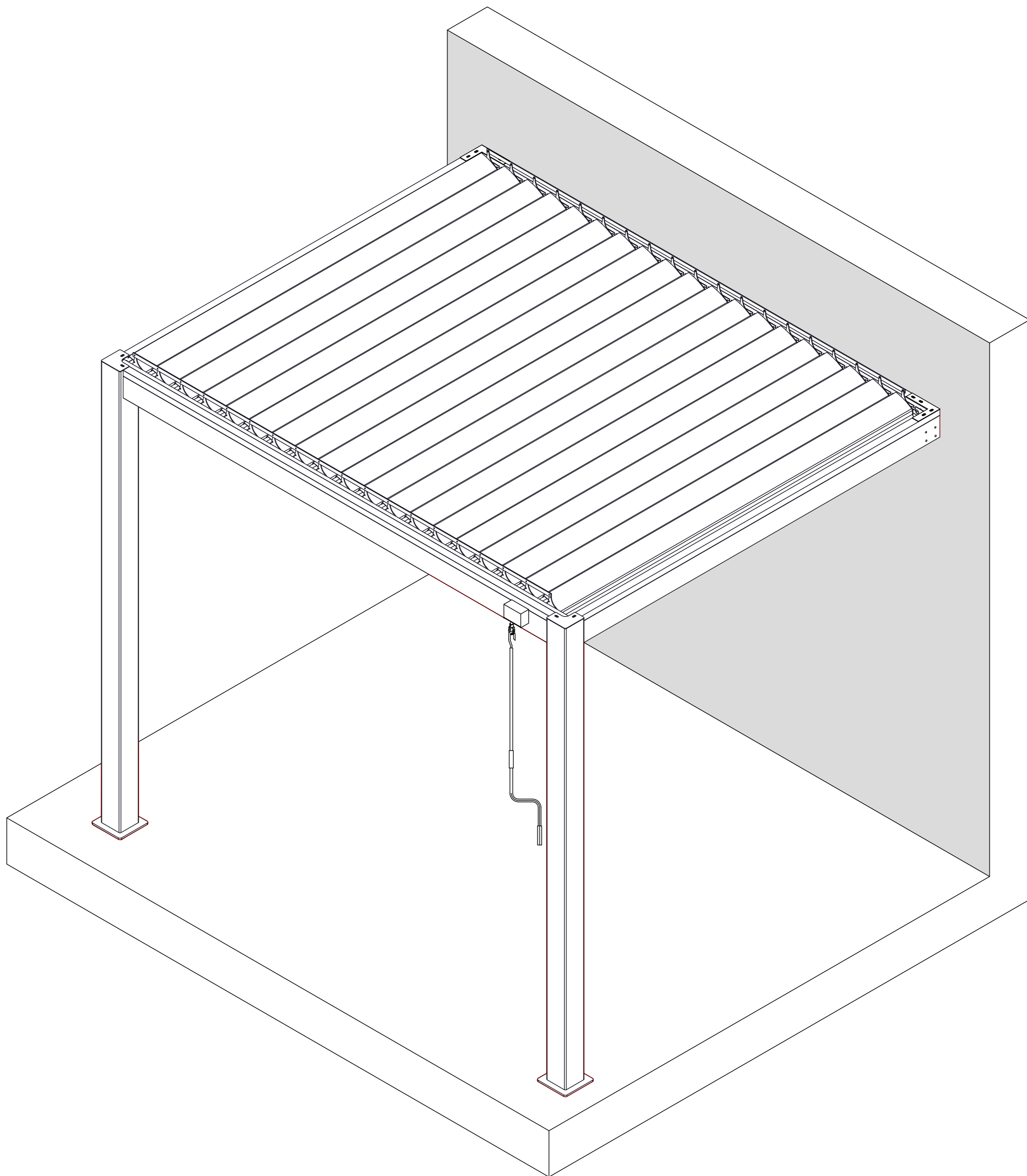


LIVING CULTURE

MANUAL PERGOLA WALL MOUNTED 2 POSTS

4x3m



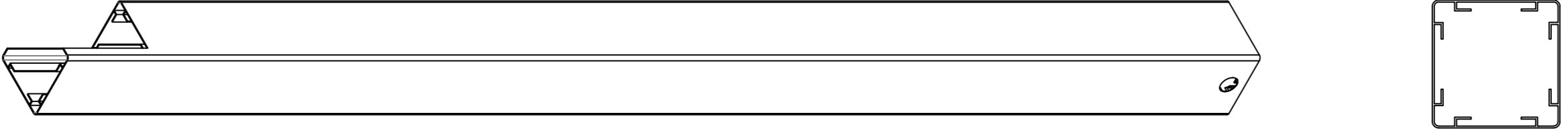
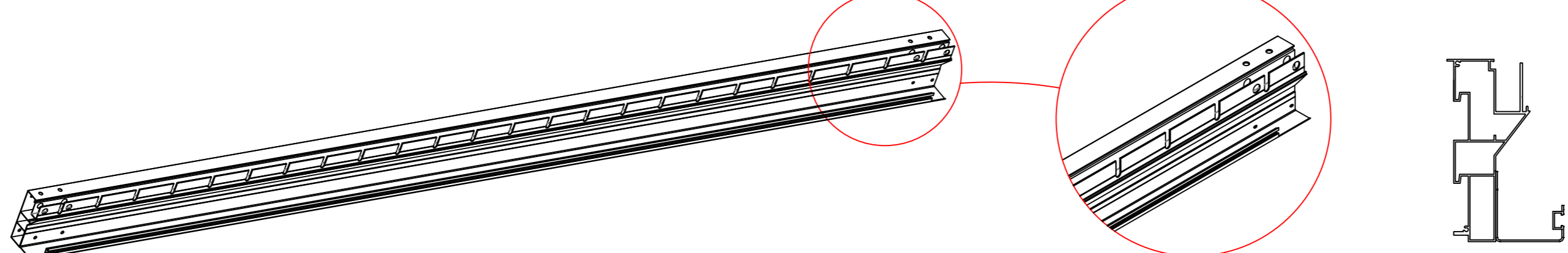
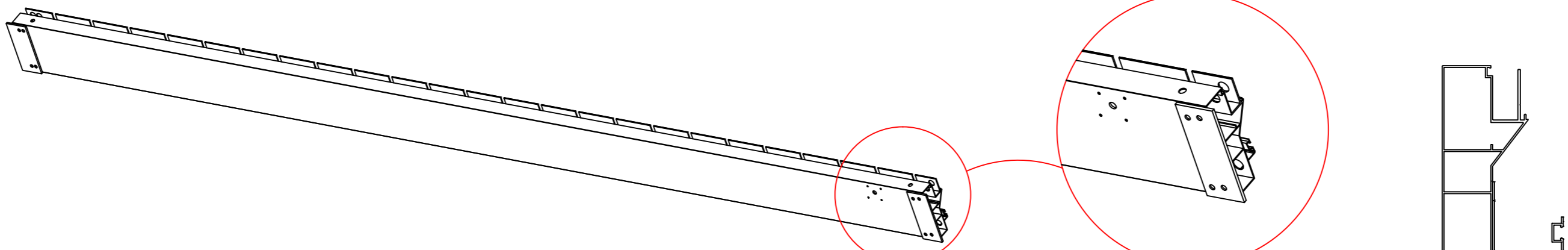
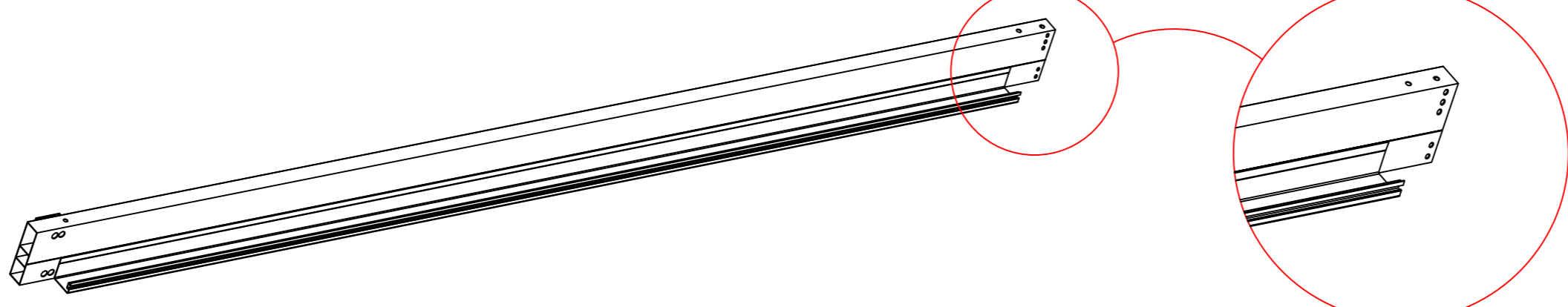
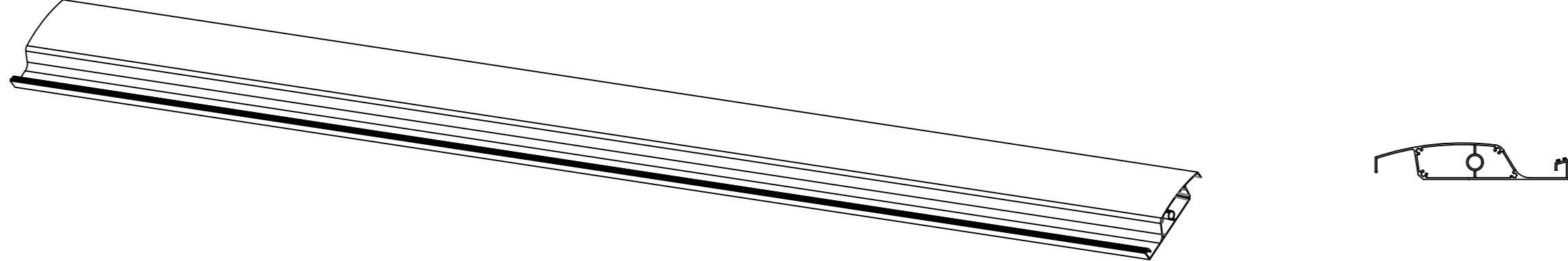
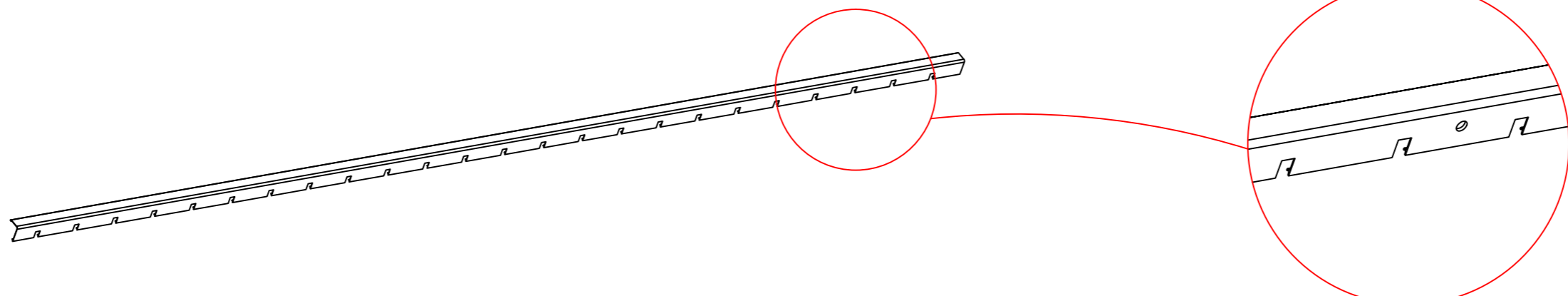
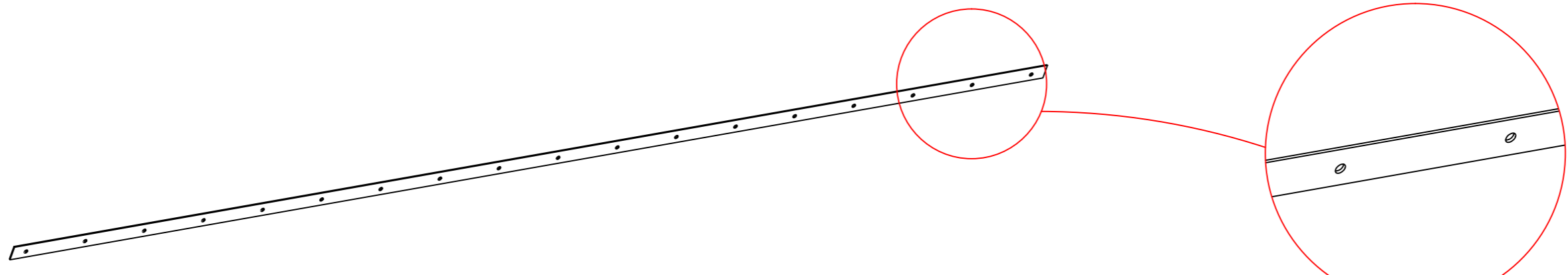
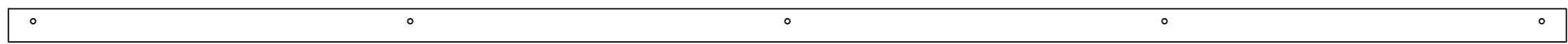


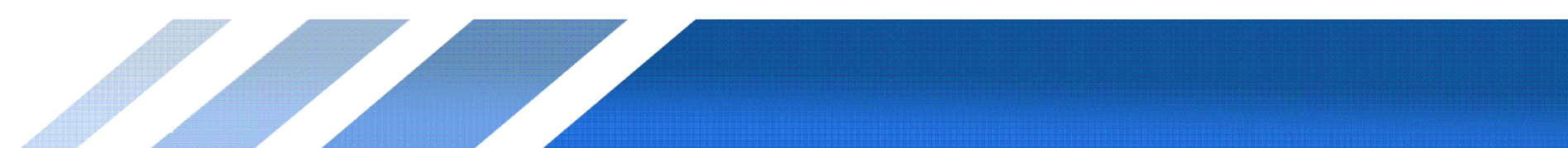


	Item	Qty	Item	Qty	Item	Qty	Item	Qty
Carton 1/4	3B-01	2	3B-11	2	3B-12	2	3B-13	2
	3B-14	1	3B-15	1	3B-16	1	3B-18	1
	3B-19	16	3B-20	54	3B-21	8	3B-23	15
	3B-24	1	3B-35	2	3B-39	10	3B-40	2
	3B-41	2	3B-42a	10	3B-42b	8	3B-45	8
	3B-46	2	3B-48	27	3B-49	26	3B-50	1
	3B-51	216	3B-53	5	3B-54	5	3B-55	2
	3B-62	10						
Carton 2/4	3B-02	1	3B-03	1	3B-04	2	3B-56	1
	3B-08	2	3B-09	2				
Carton 3/4	3B-06	18						
Carton 4/4	3B-06	9						





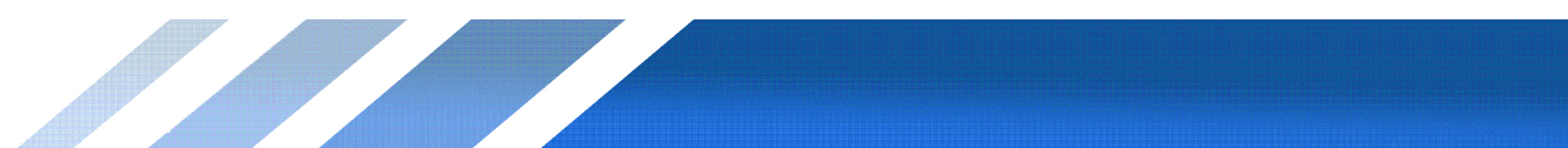
Item	Drawings	Qty
3B-01		2
3B-02		1
3B-03		1
3B-04		2
3B-06		27
3B-08		2
3B-09		2
3B-56		1

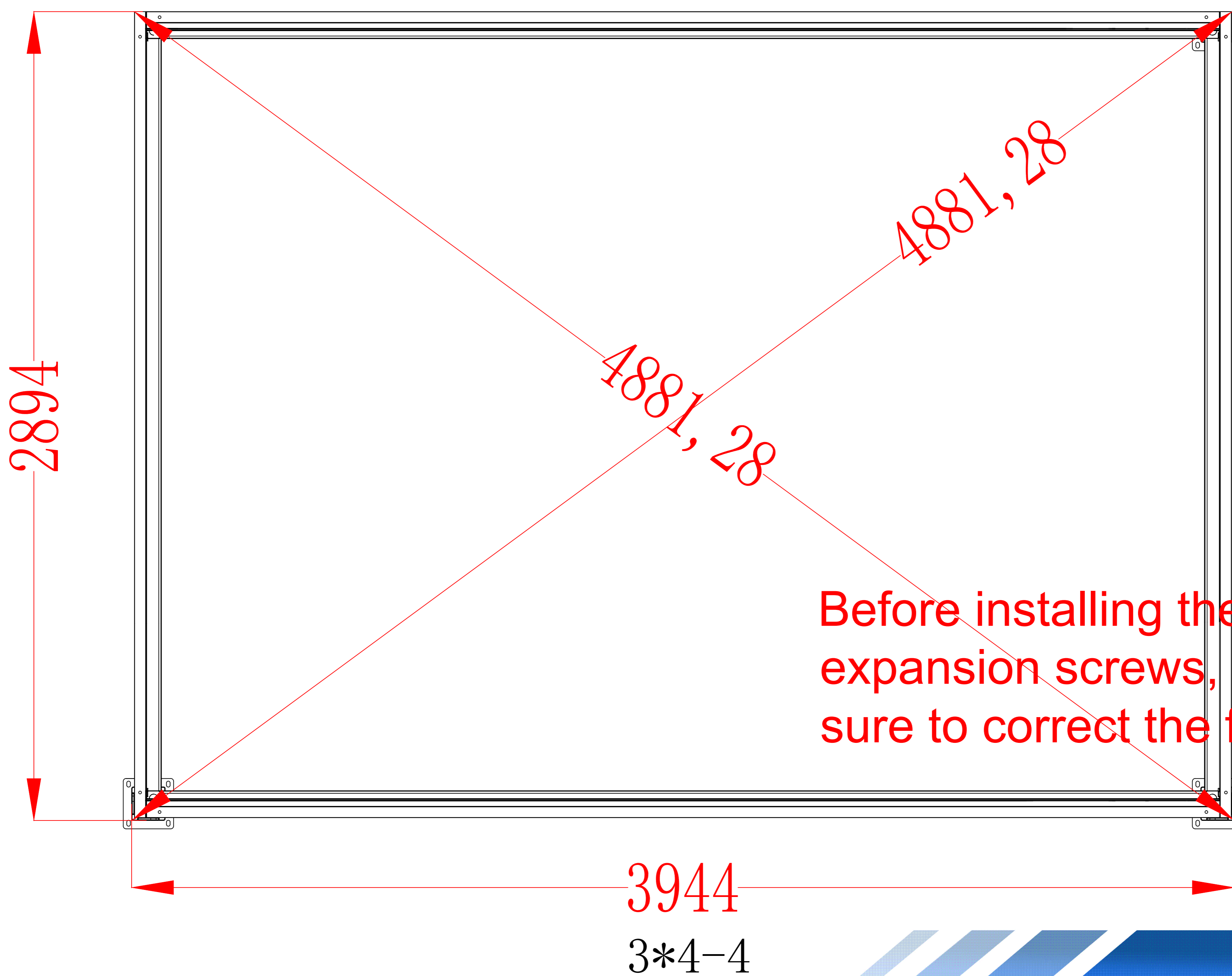
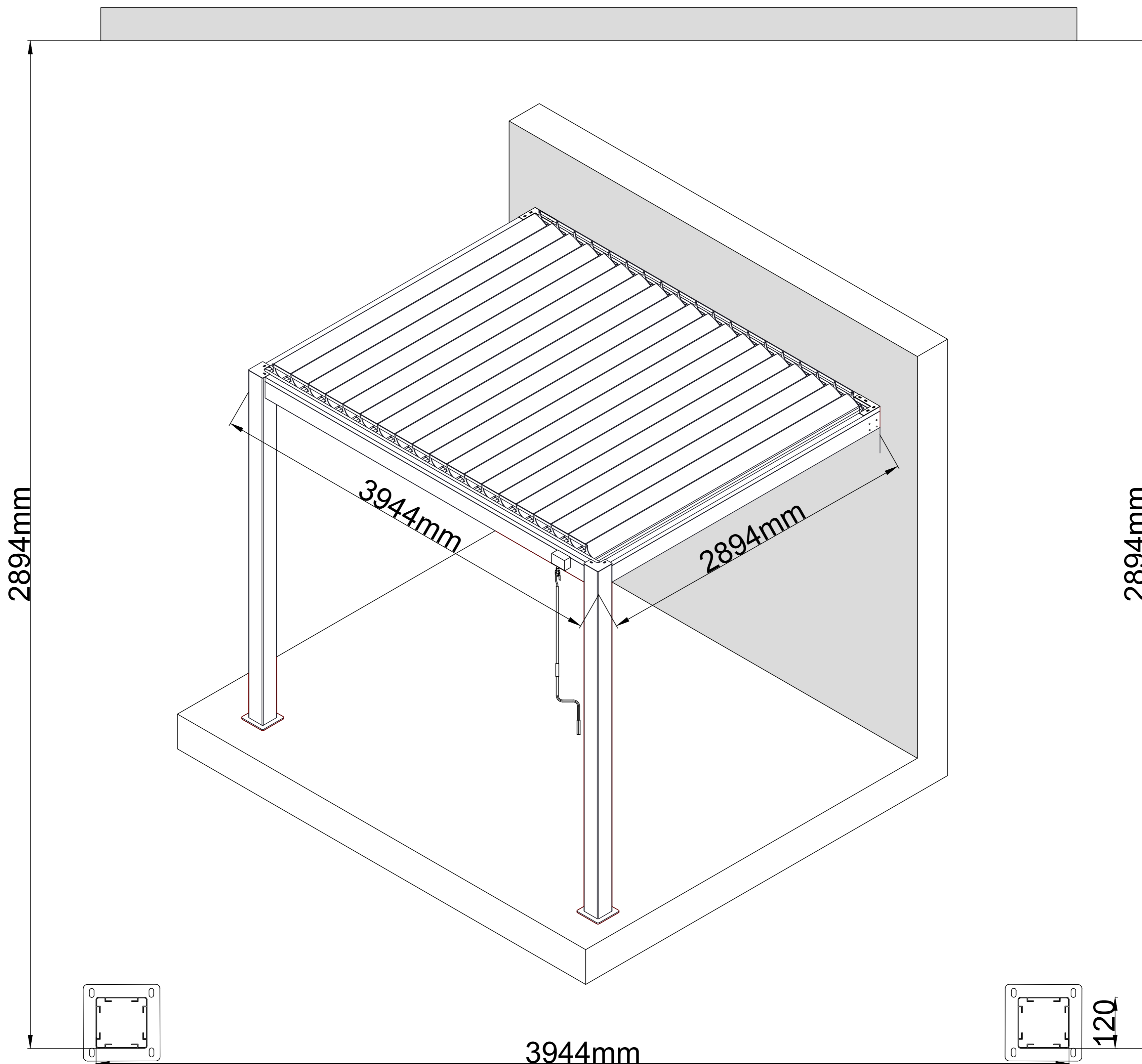




Item	Drawings	Qty
3B-11		2
3B-12		2
3B-13		2
3B-14		1
3B-15		1
3B-16		1
3B-18		1
3B-19	 M8*20	16+2
3B-20		54+2
3B-21	 M10*80	8
3B-23	 M4.2*19	15+2
3B-24		1
3B-35		2
3B-39	 M8*100	10

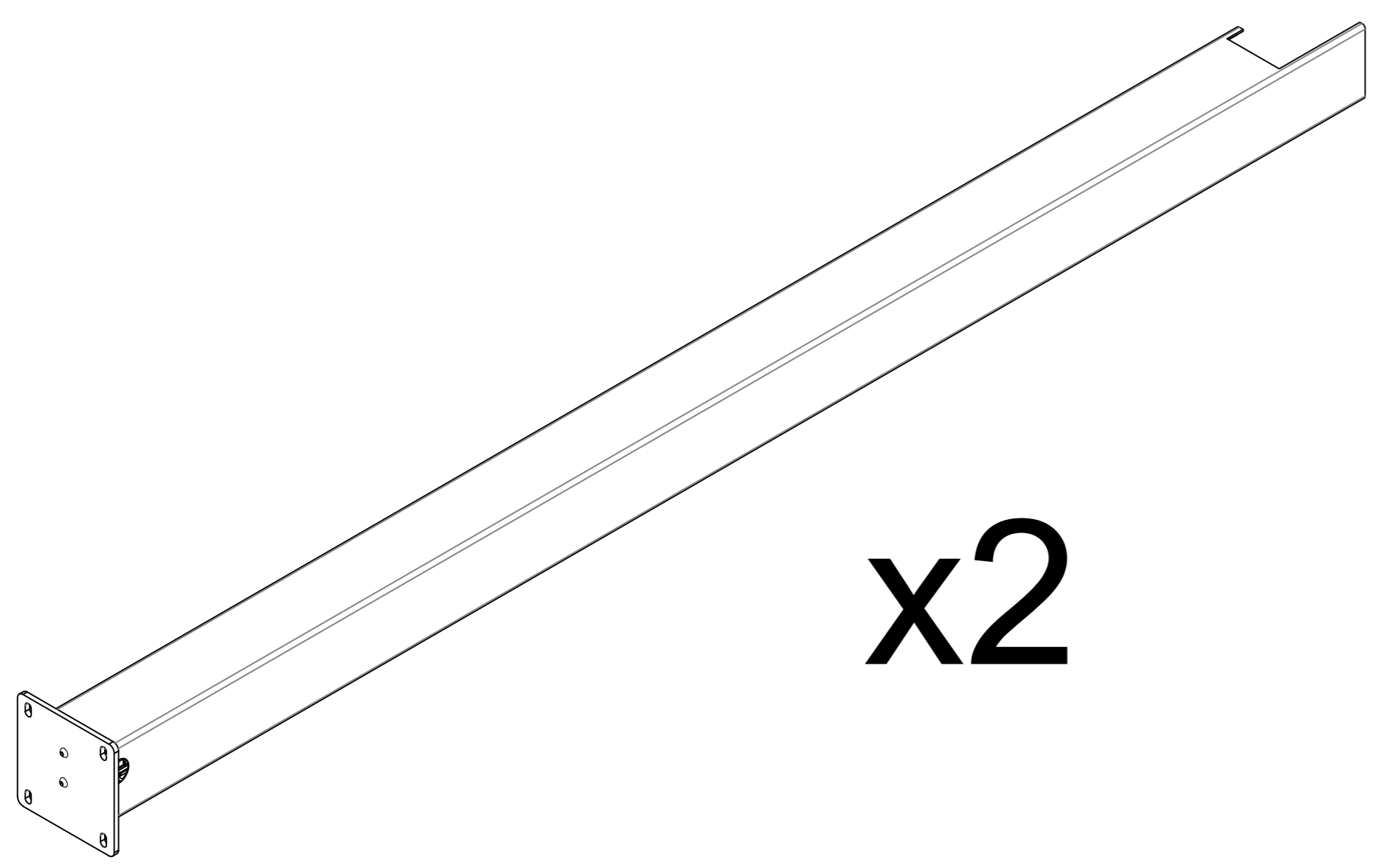
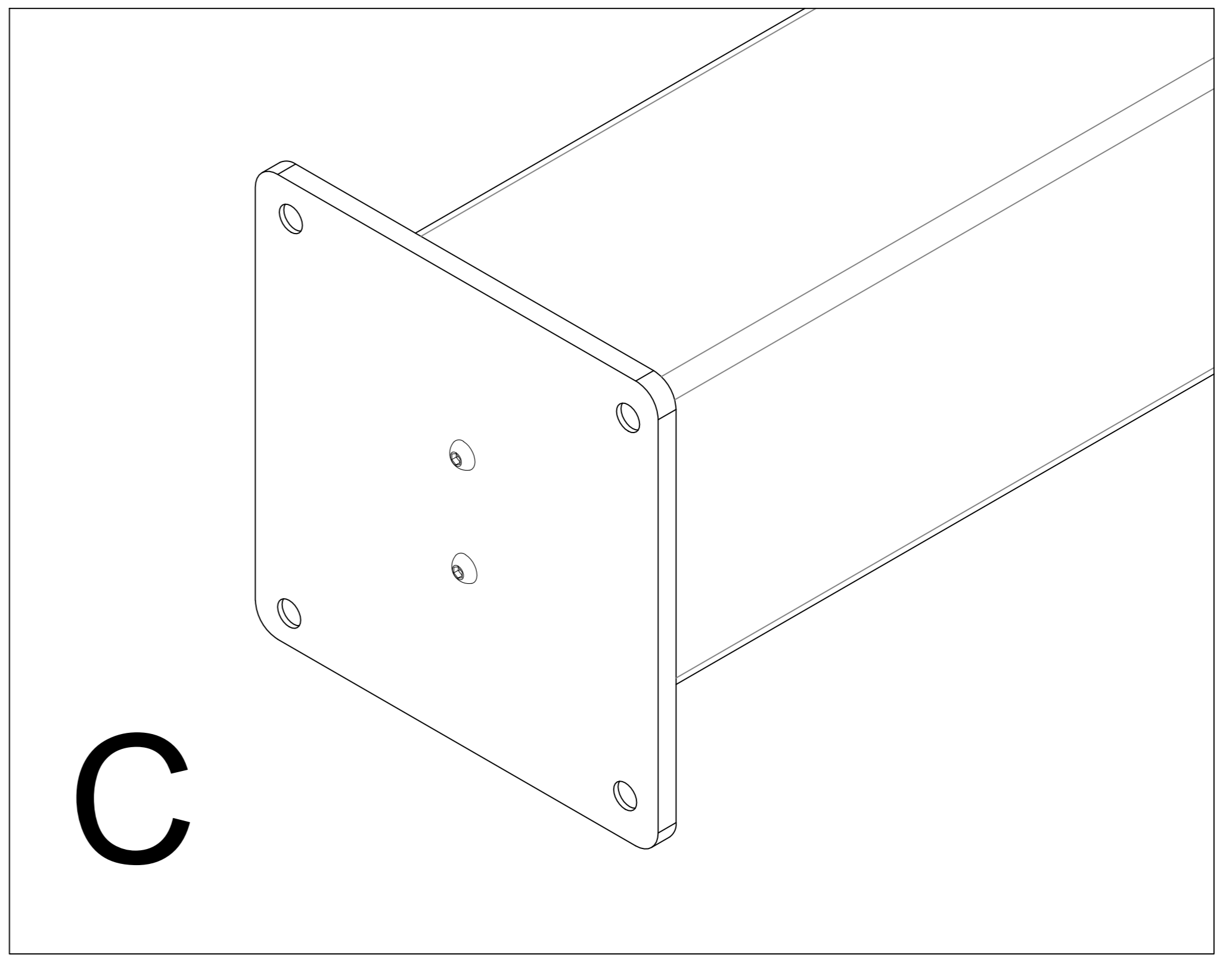
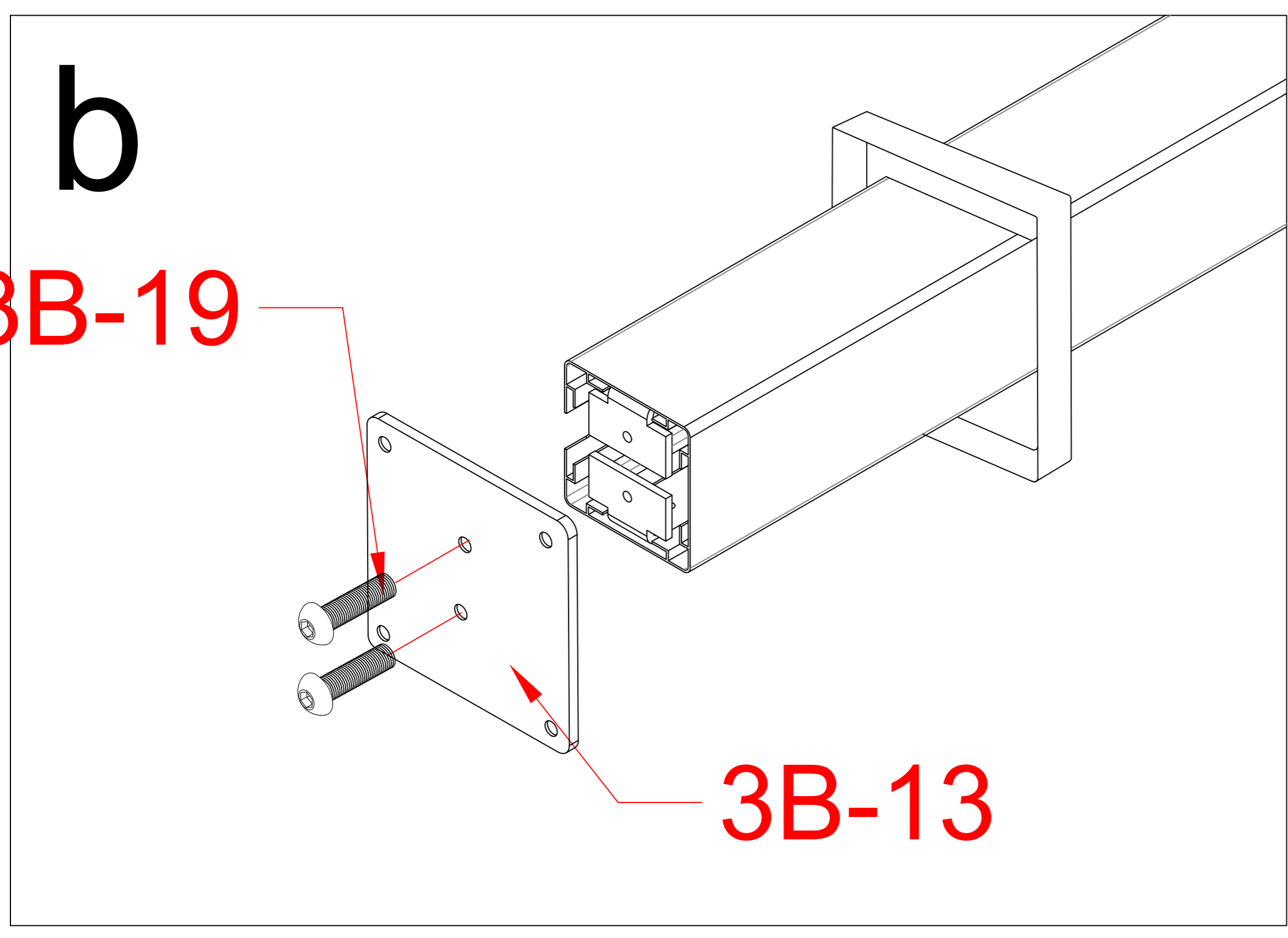
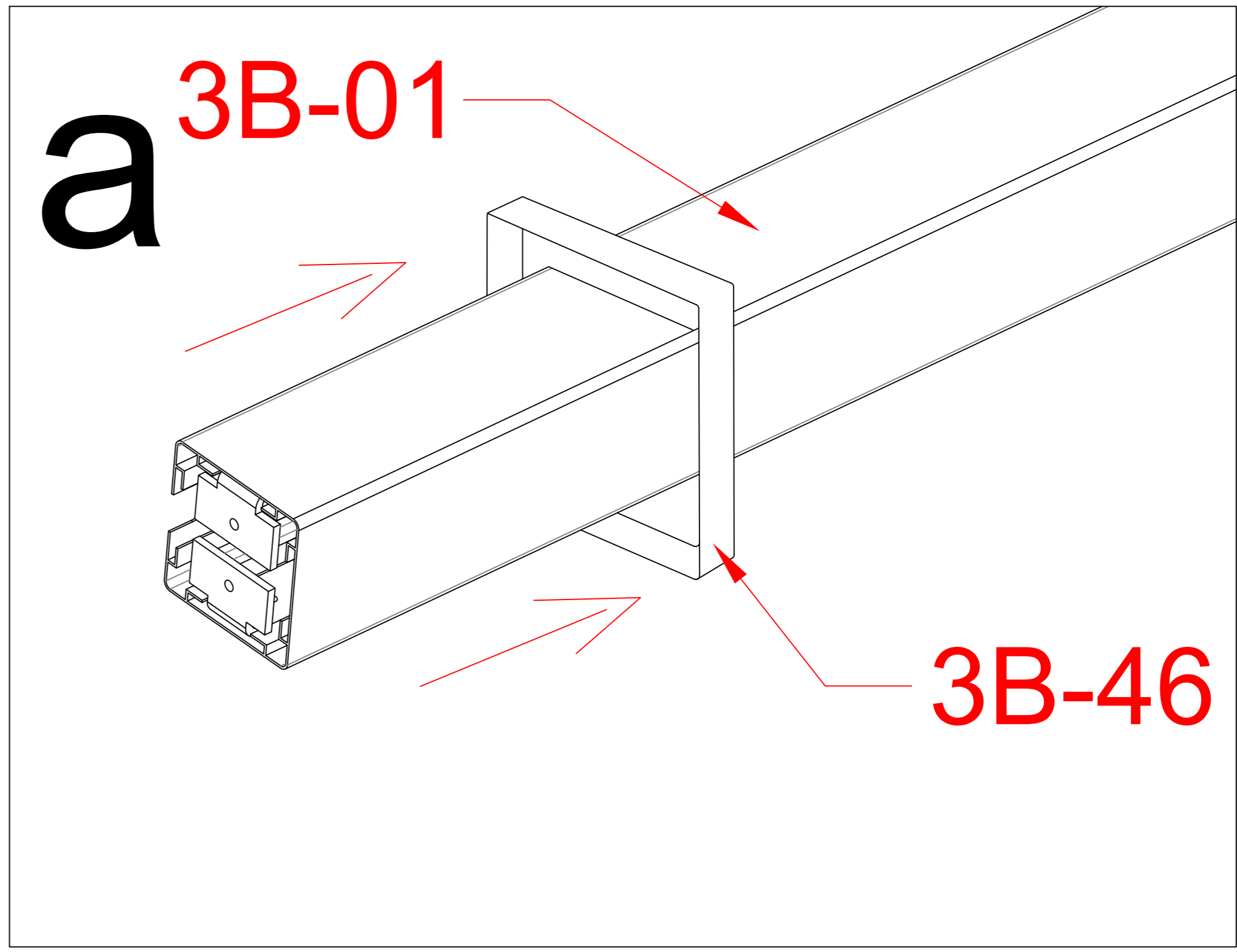
Item	Drawings	Qty
3B-40		2
3B-41		2
3B-42a	 M6*16	10
3B-42b	 M6*16	8
3B-45	 M8*10	8
3B-46		2
3B-48		27
3B-49		26
3B-50		1
3B-51	 M4.2*25	216+4
3B-53		5
3B-54	 M4.2*25	5
3B-55		2
3B-62	 M14*75 M10*100	10



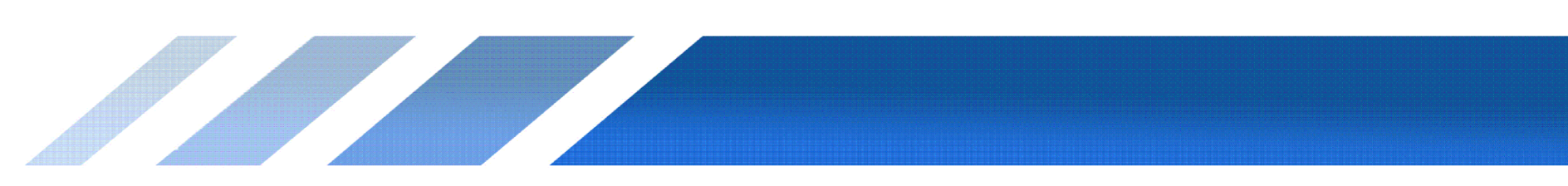


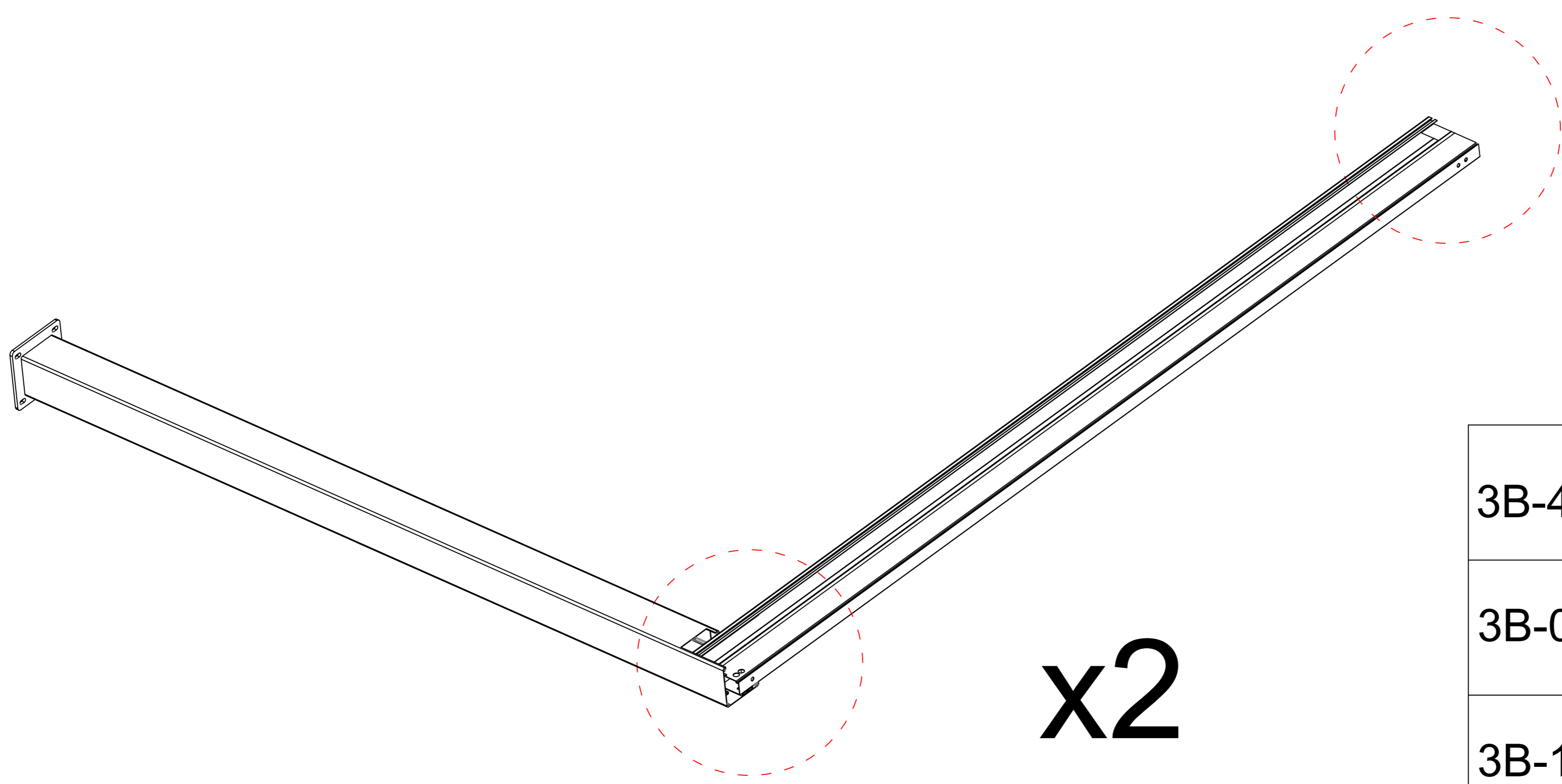
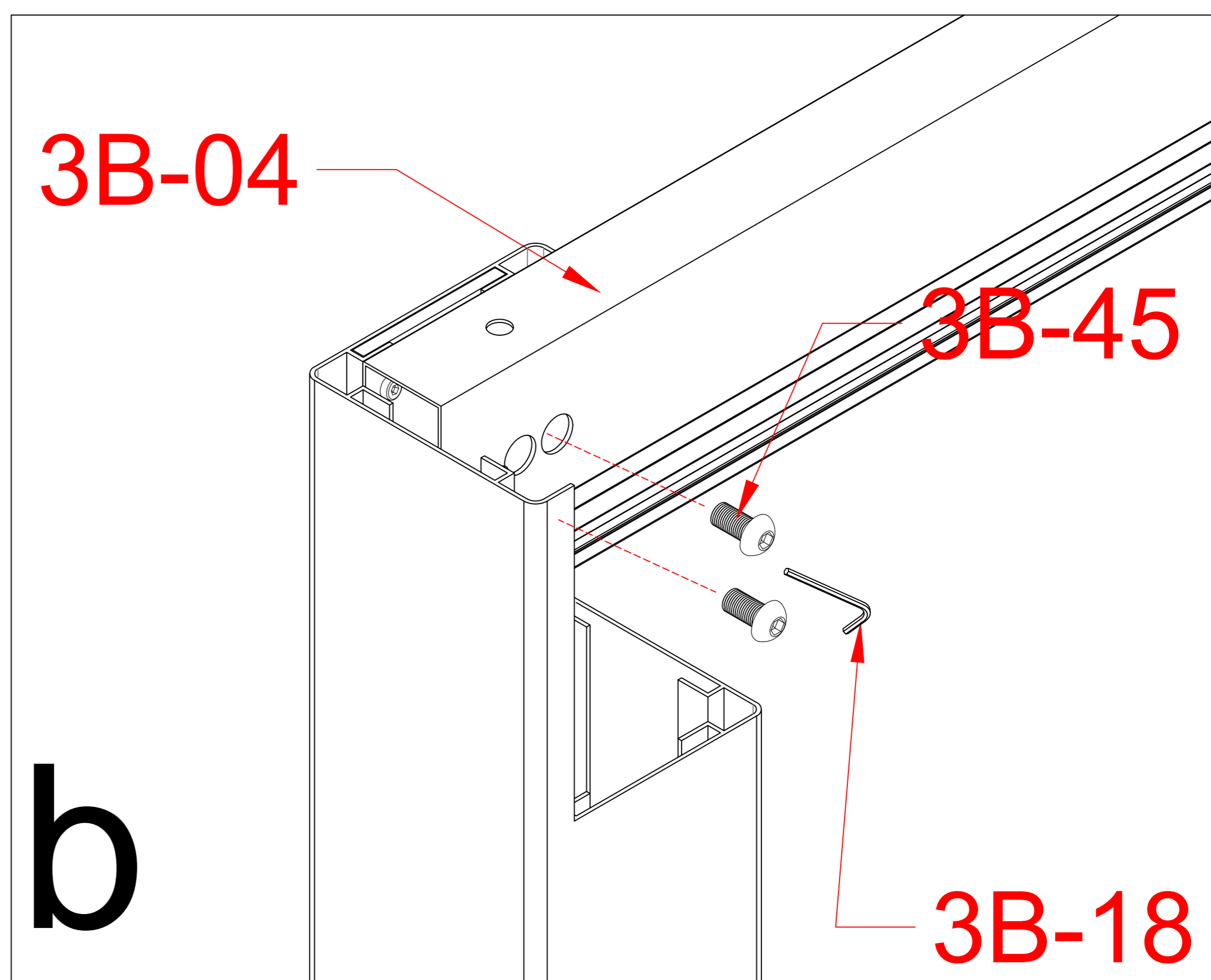
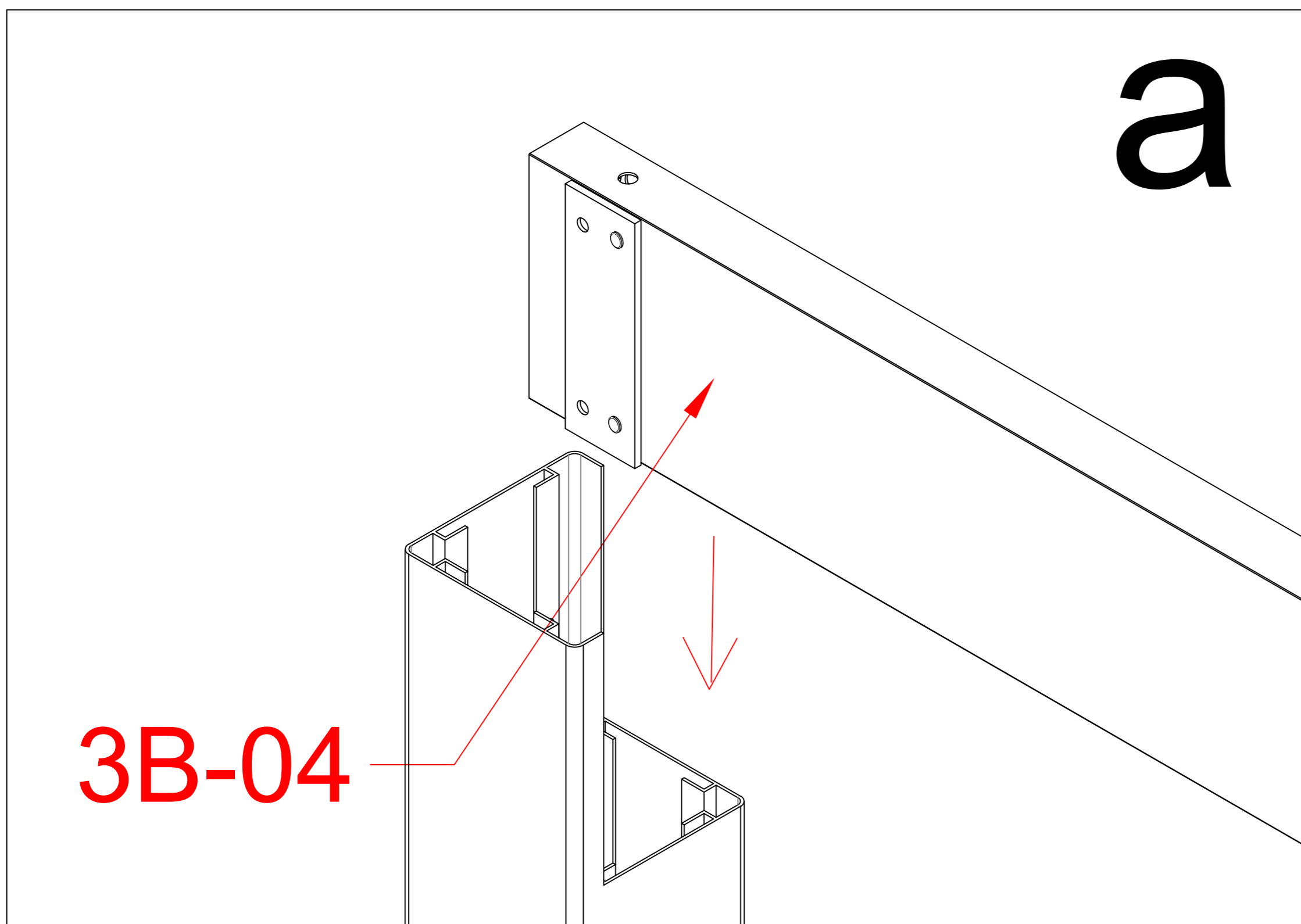


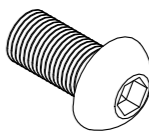


During the installation process, if you encounter any uncertainties, please refer to the installation instructions on the product page of the website.

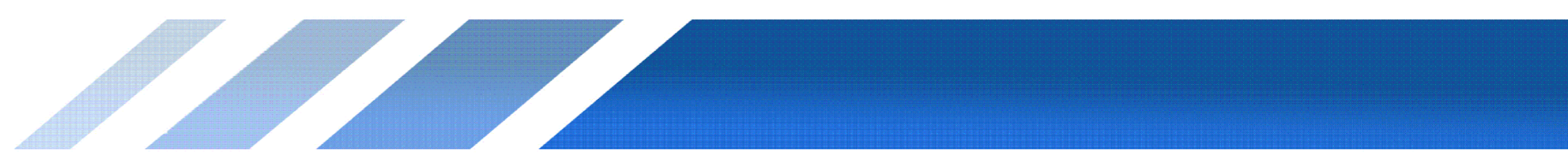


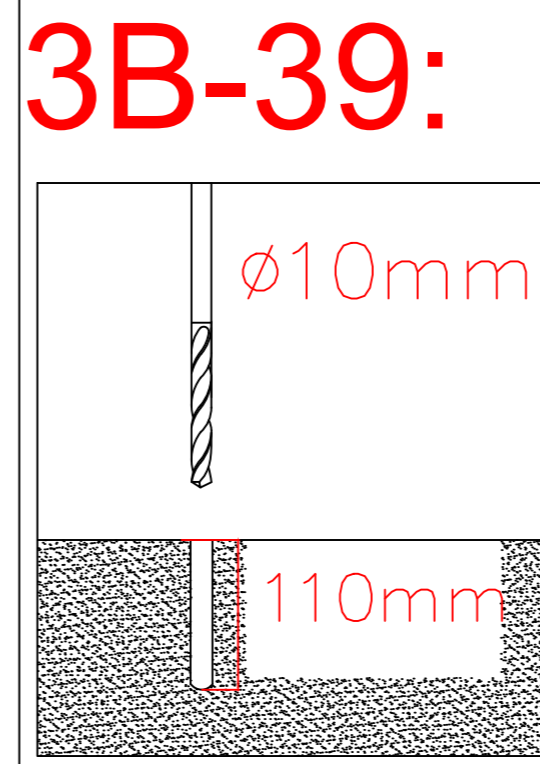
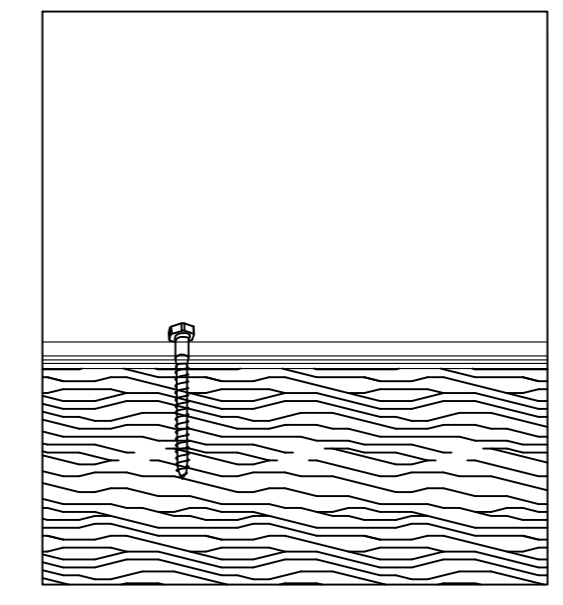
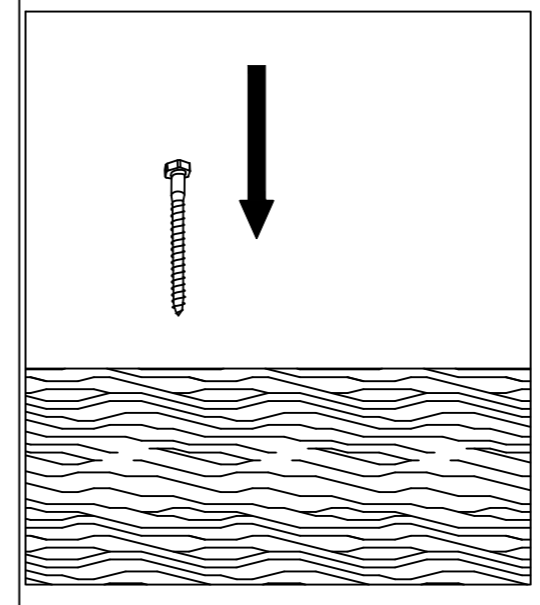
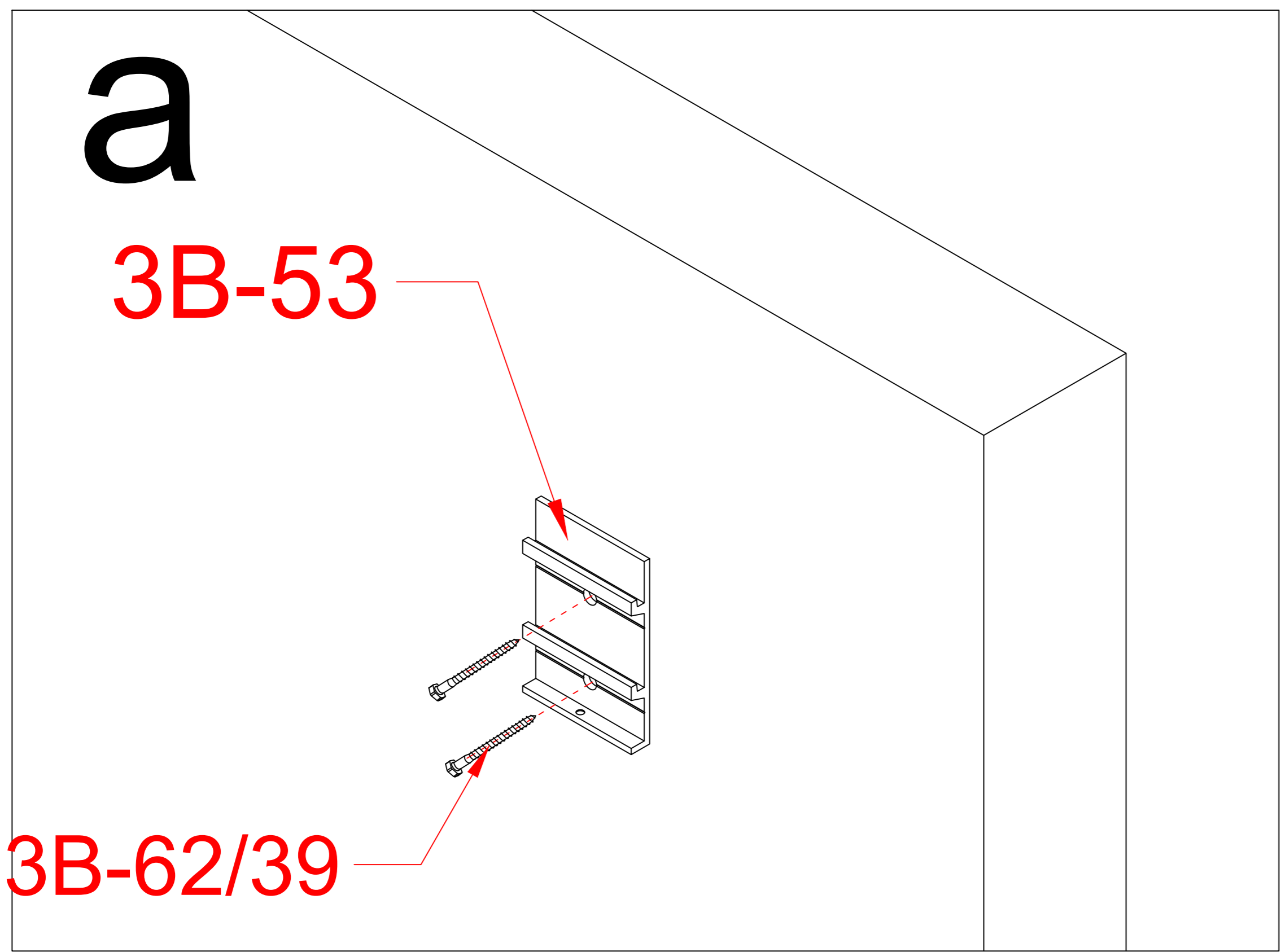
3B-46		2
3B-01		2
3B-13		2
3B-19		4





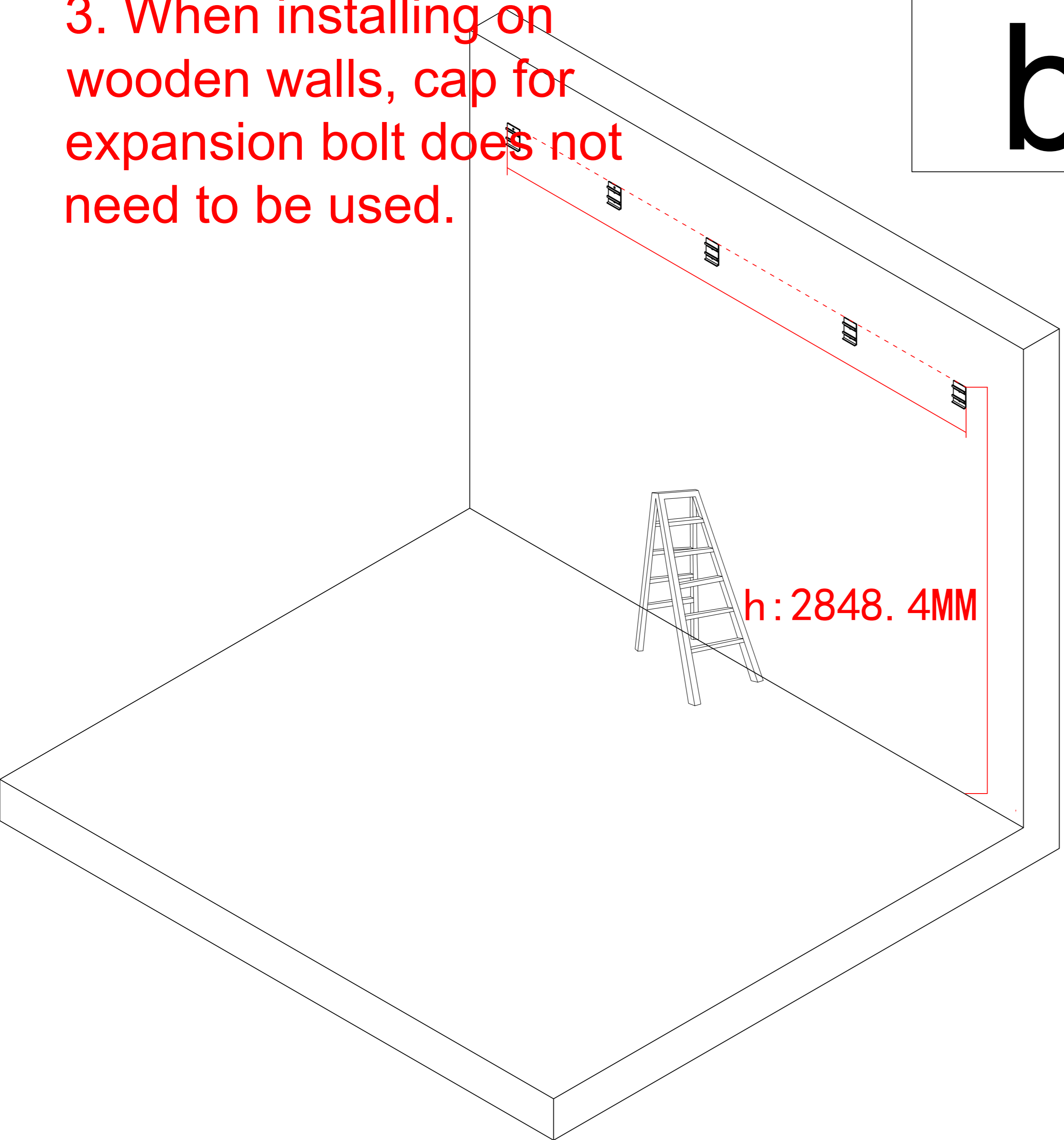
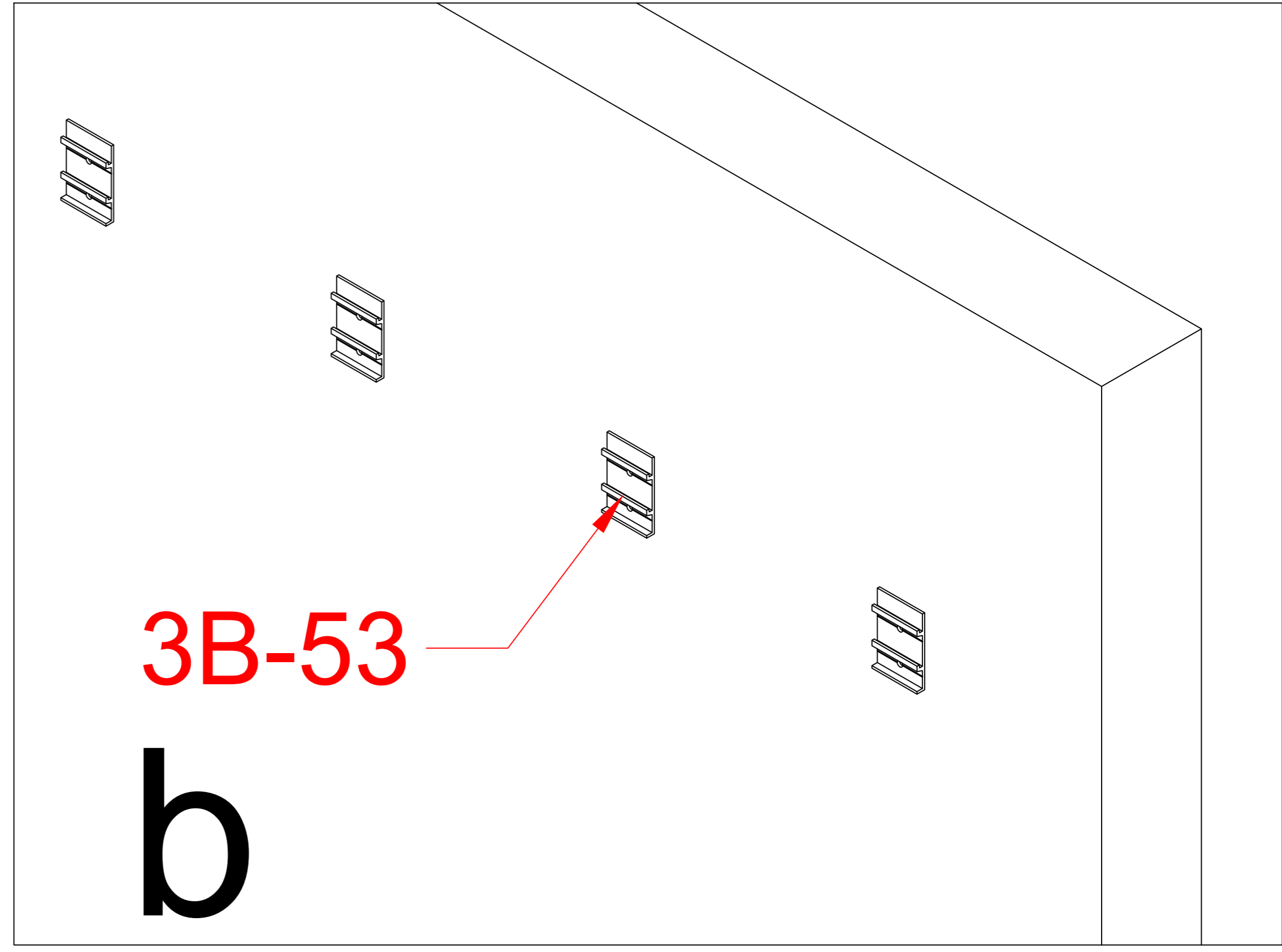
3B-45	 M8*10	4
3B-04		2
3B-18		1

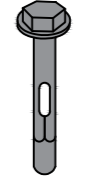

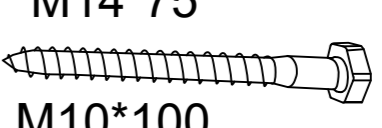
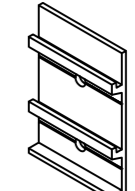


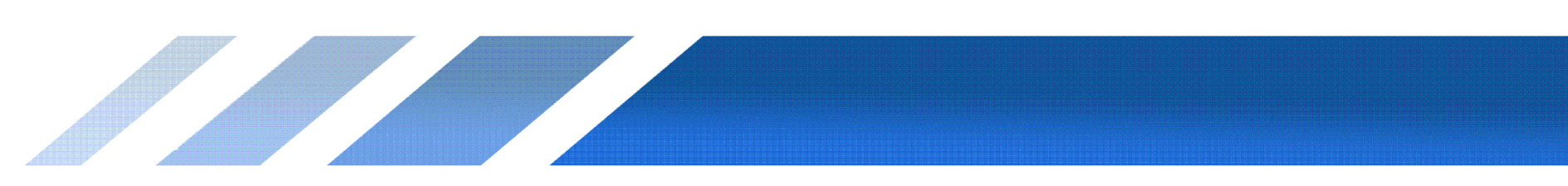


Attention:

1. Before installing here, please ensure that the wall is flat
2. If it is a wooden wall, please use 3B-62, and if it is the Cement wall, please use 3B-39
3. When installing on wooden walls, cap for expansion bolt does not need to be used.

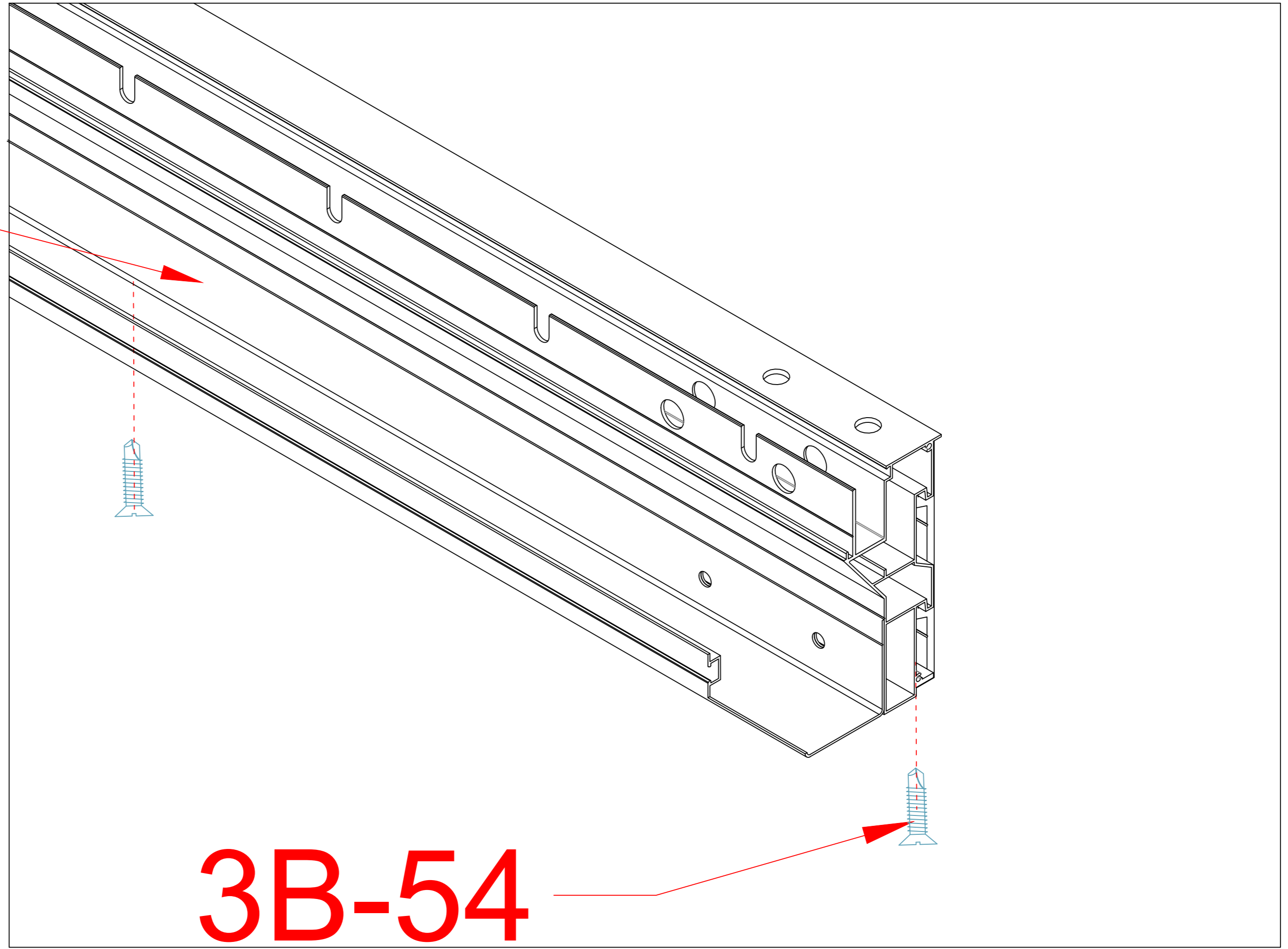


3B-39	 M8*100	10
3B-62	 M14*75  M10*100	10
3B-53		5

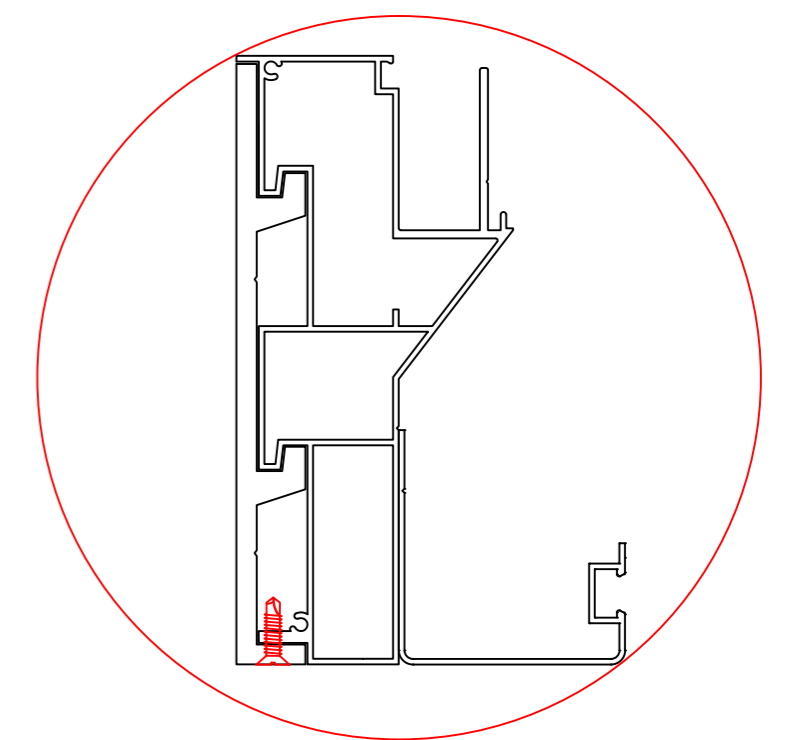




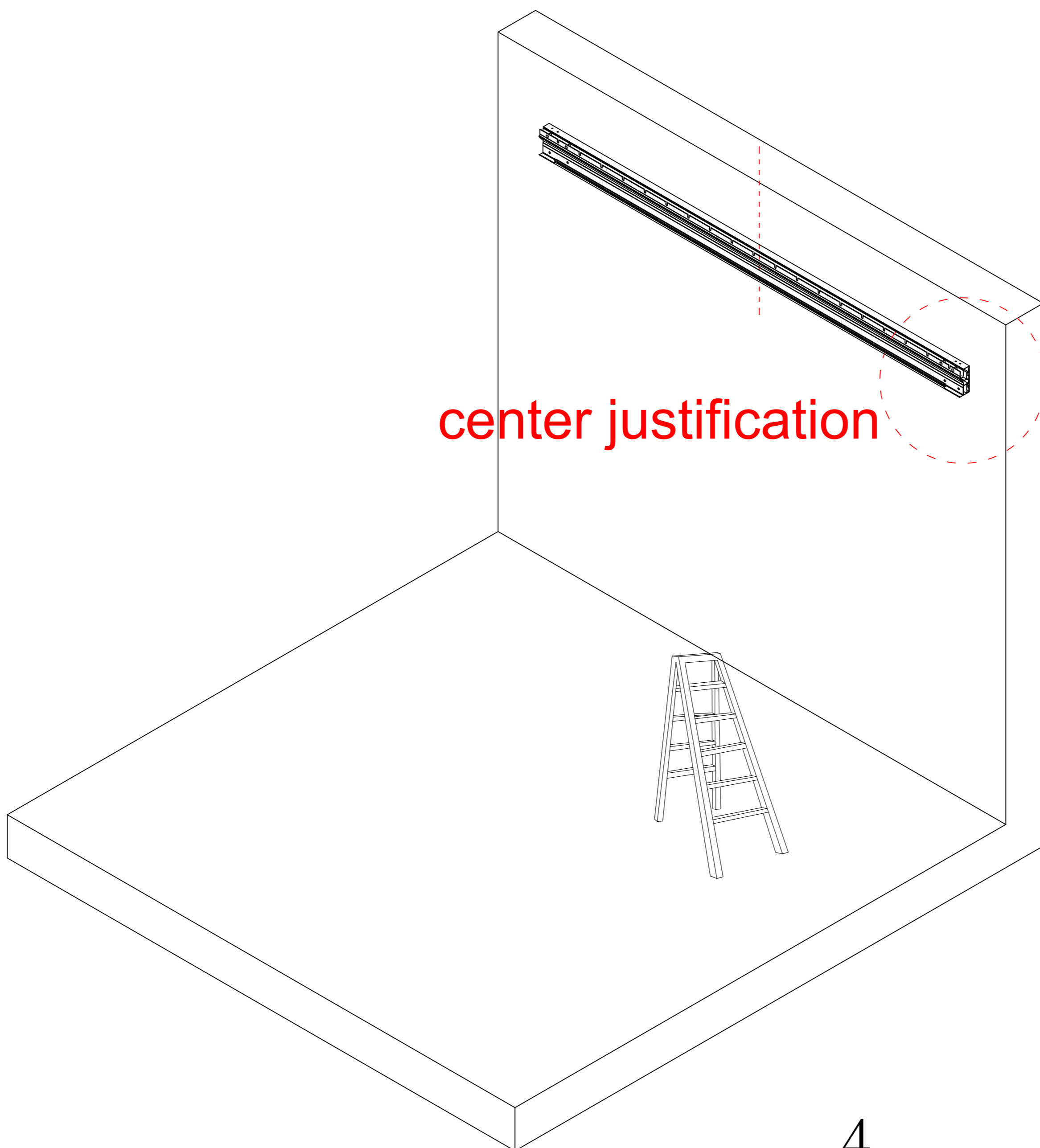
3B-02

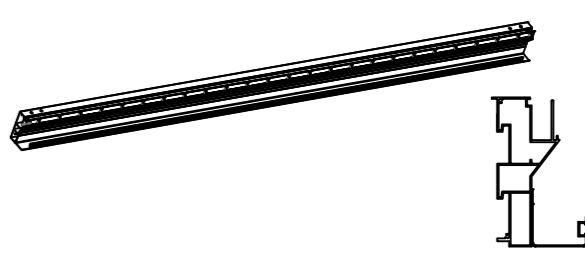
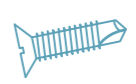


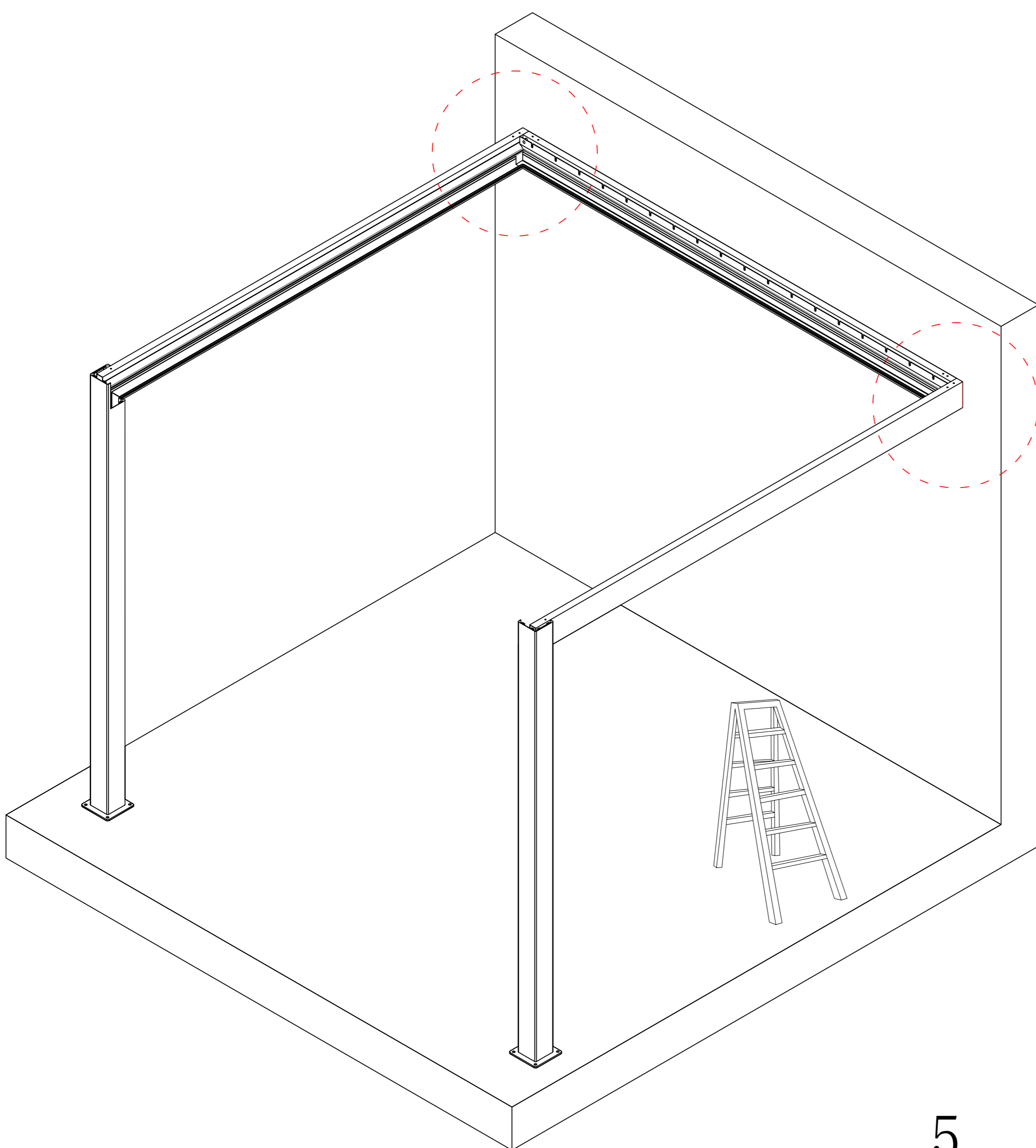
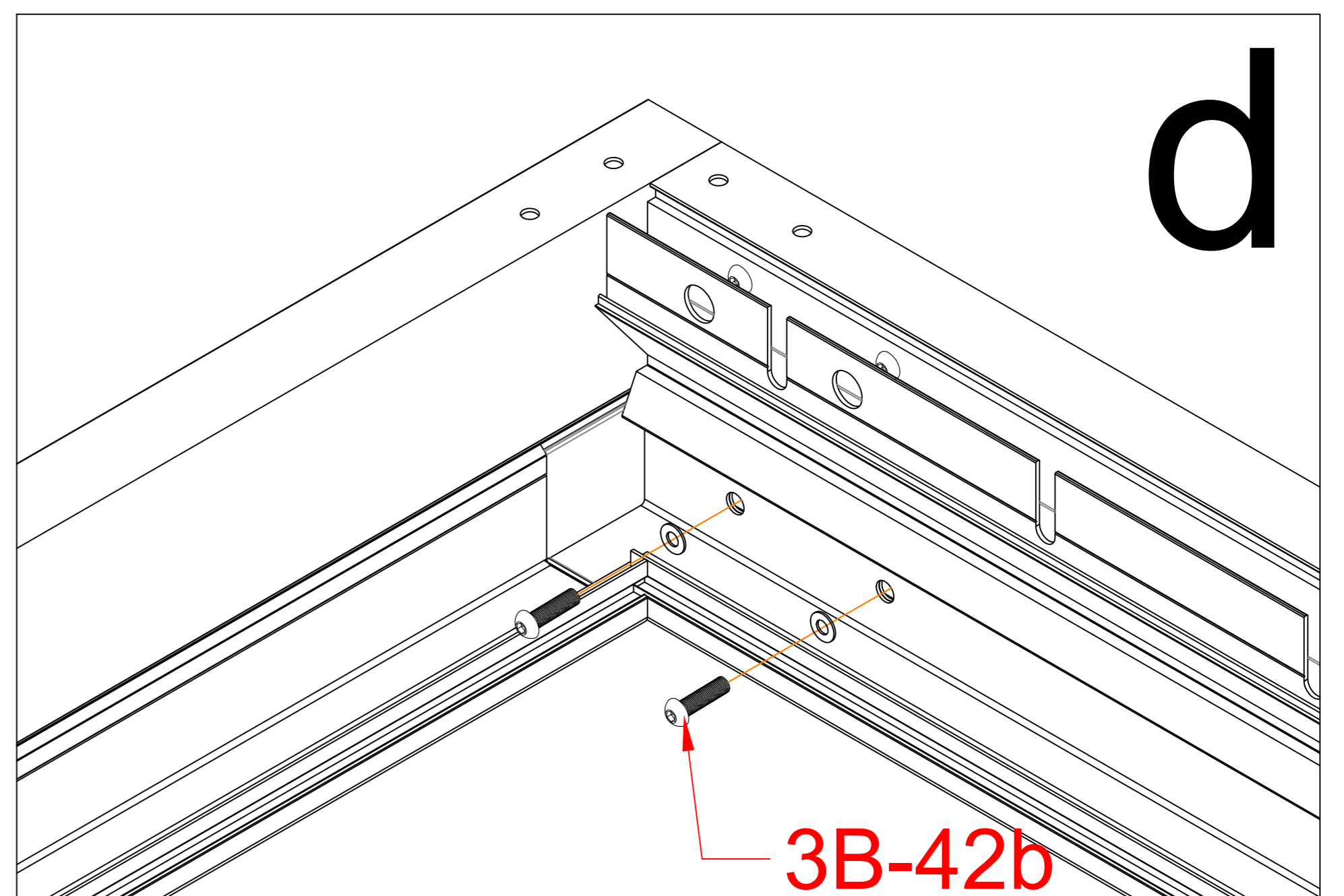
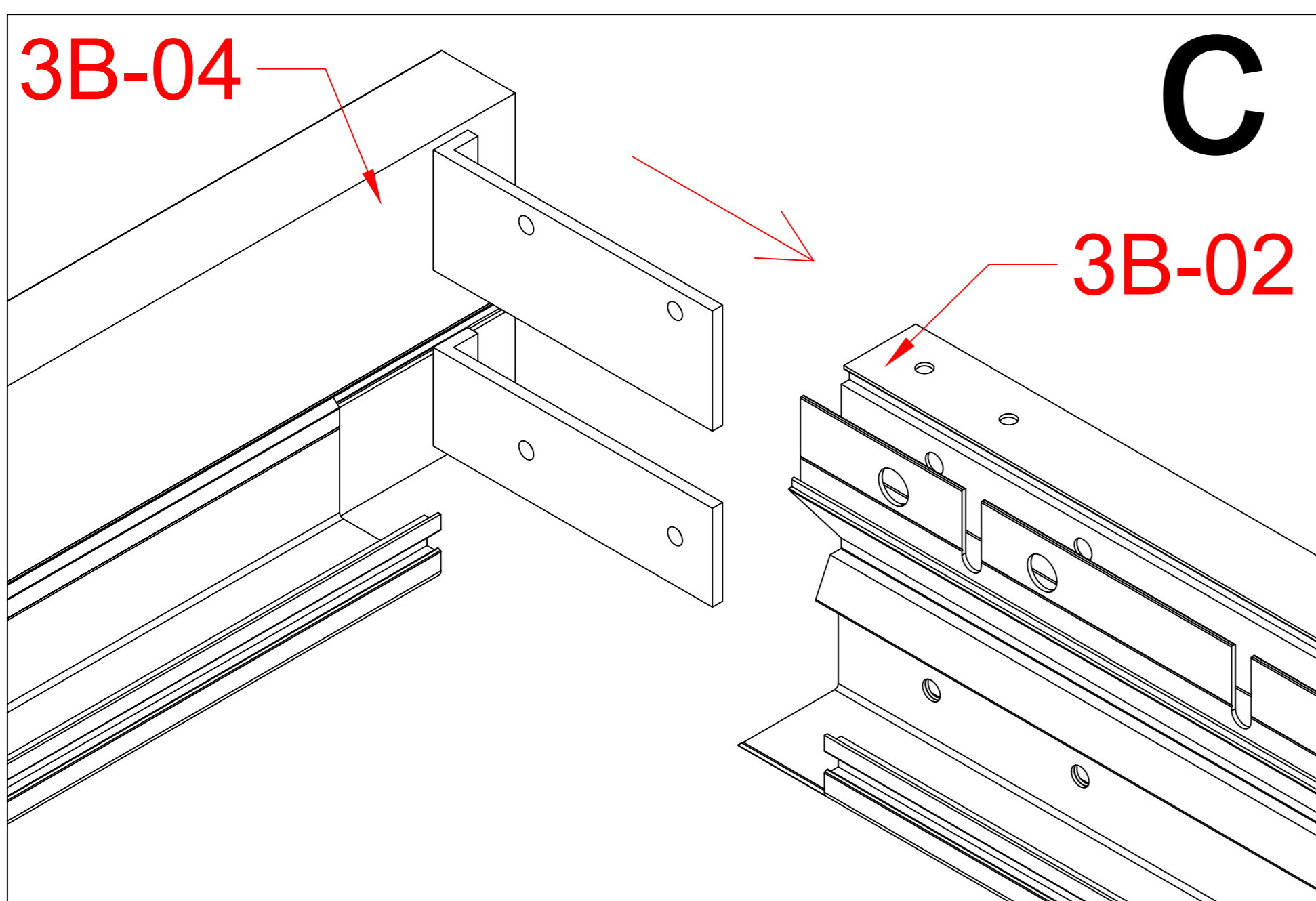
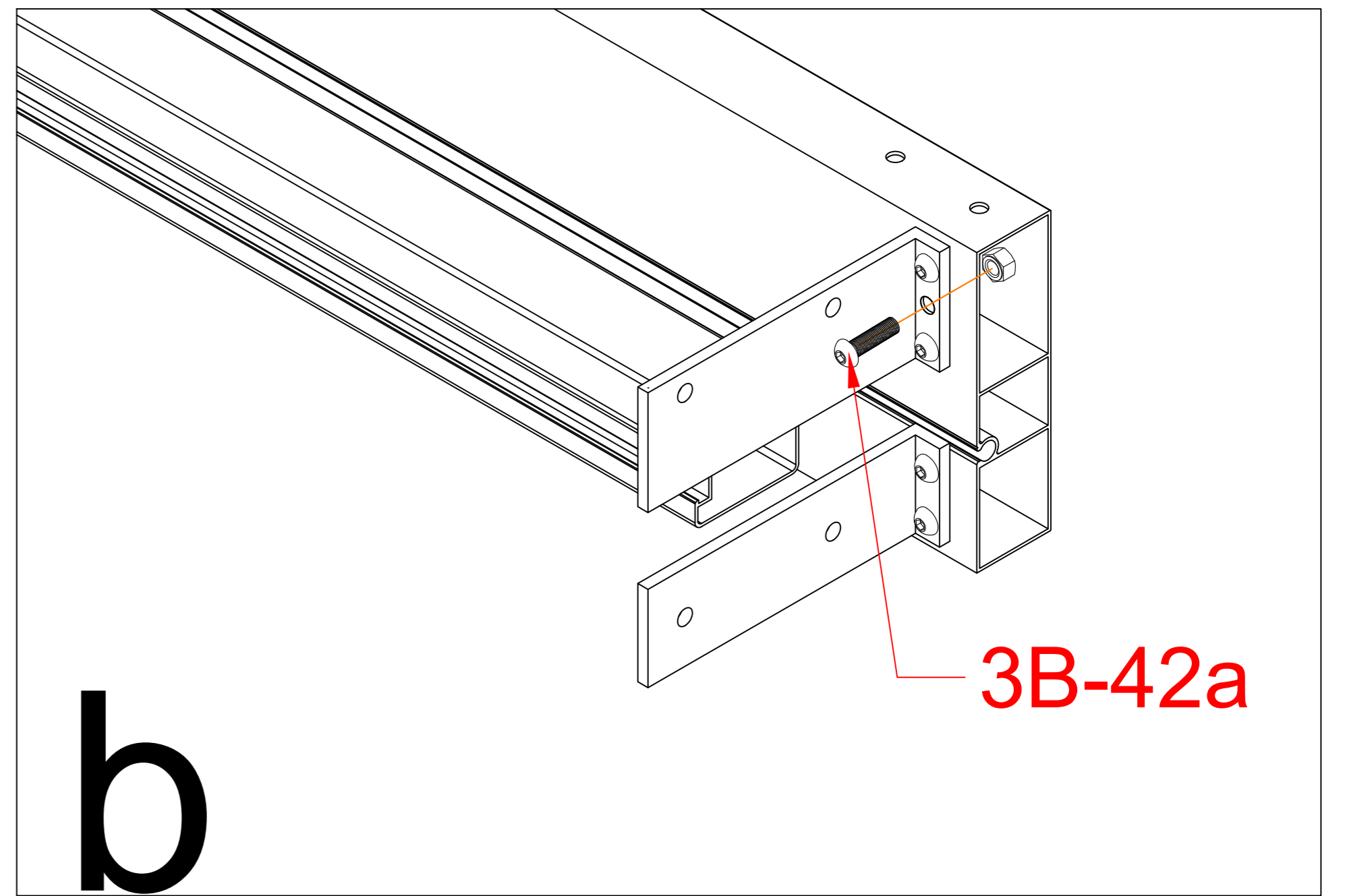
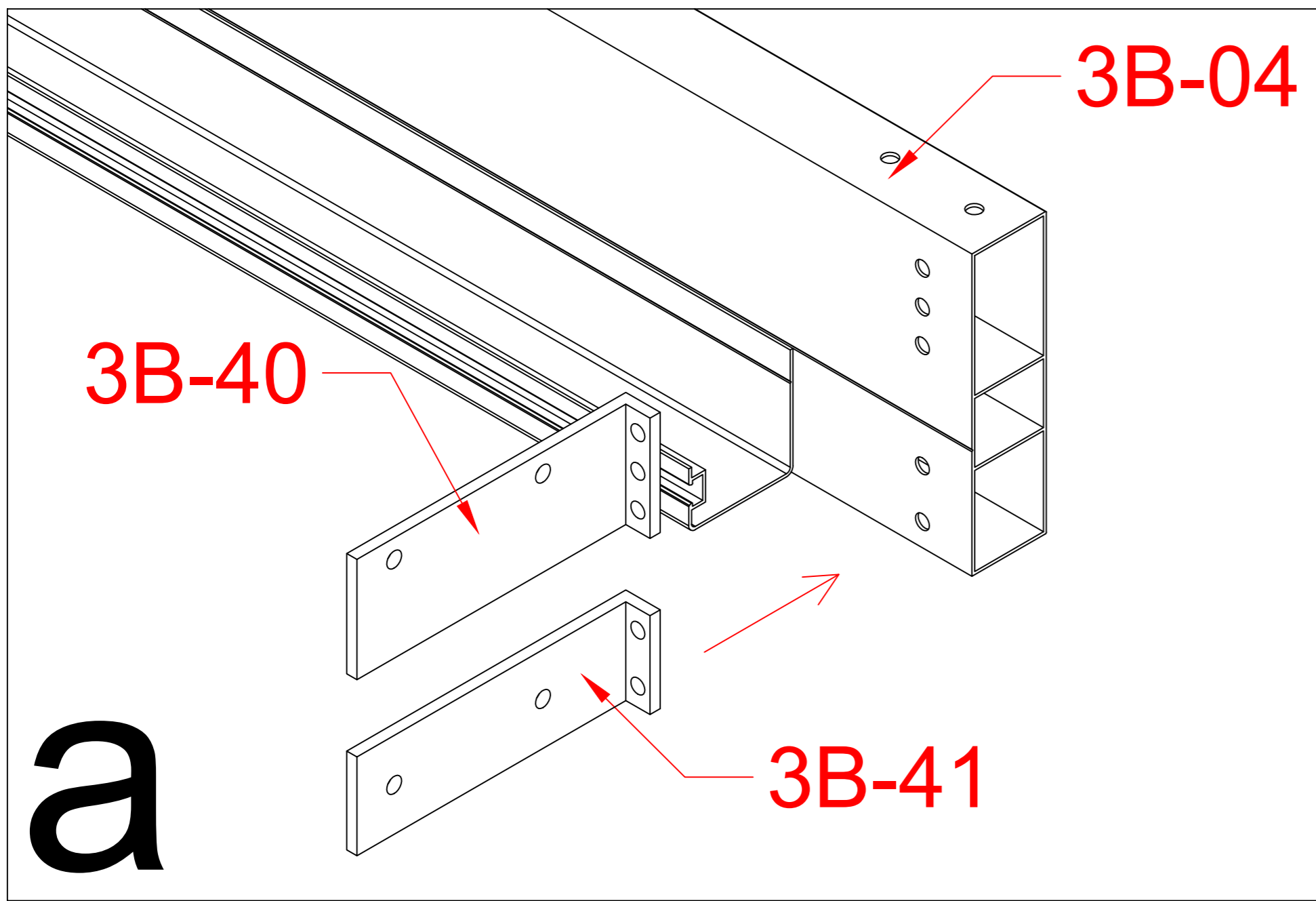
3B-54



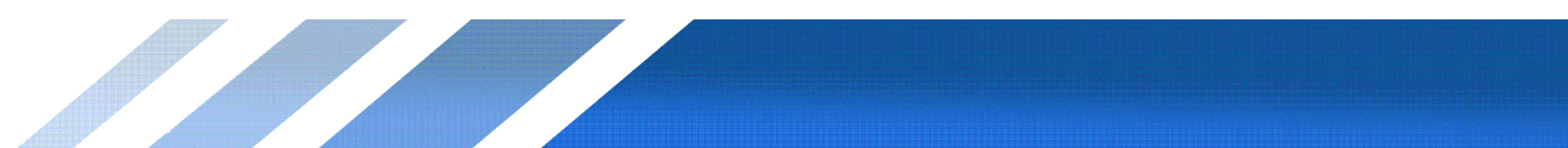
center justification

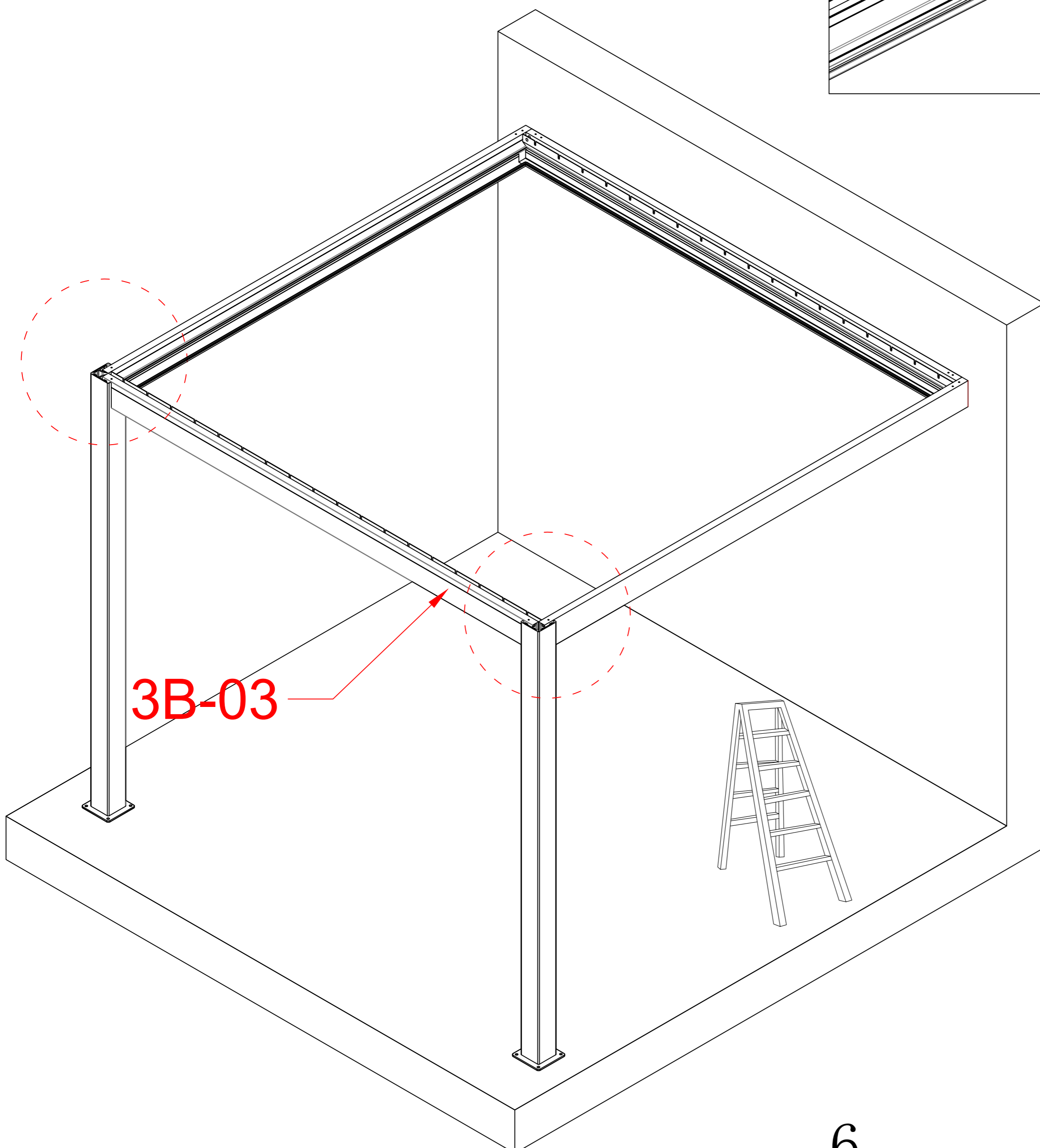
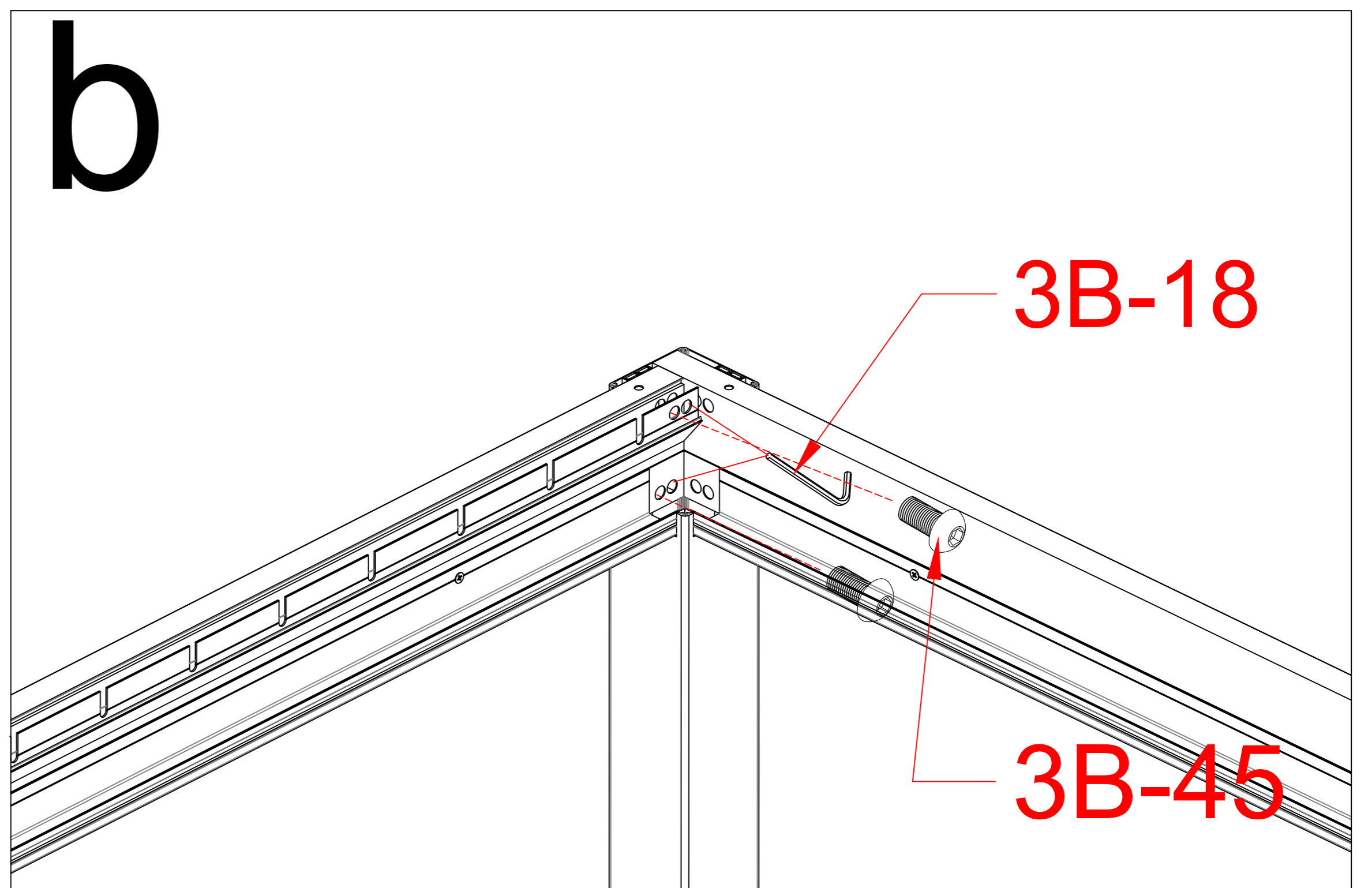
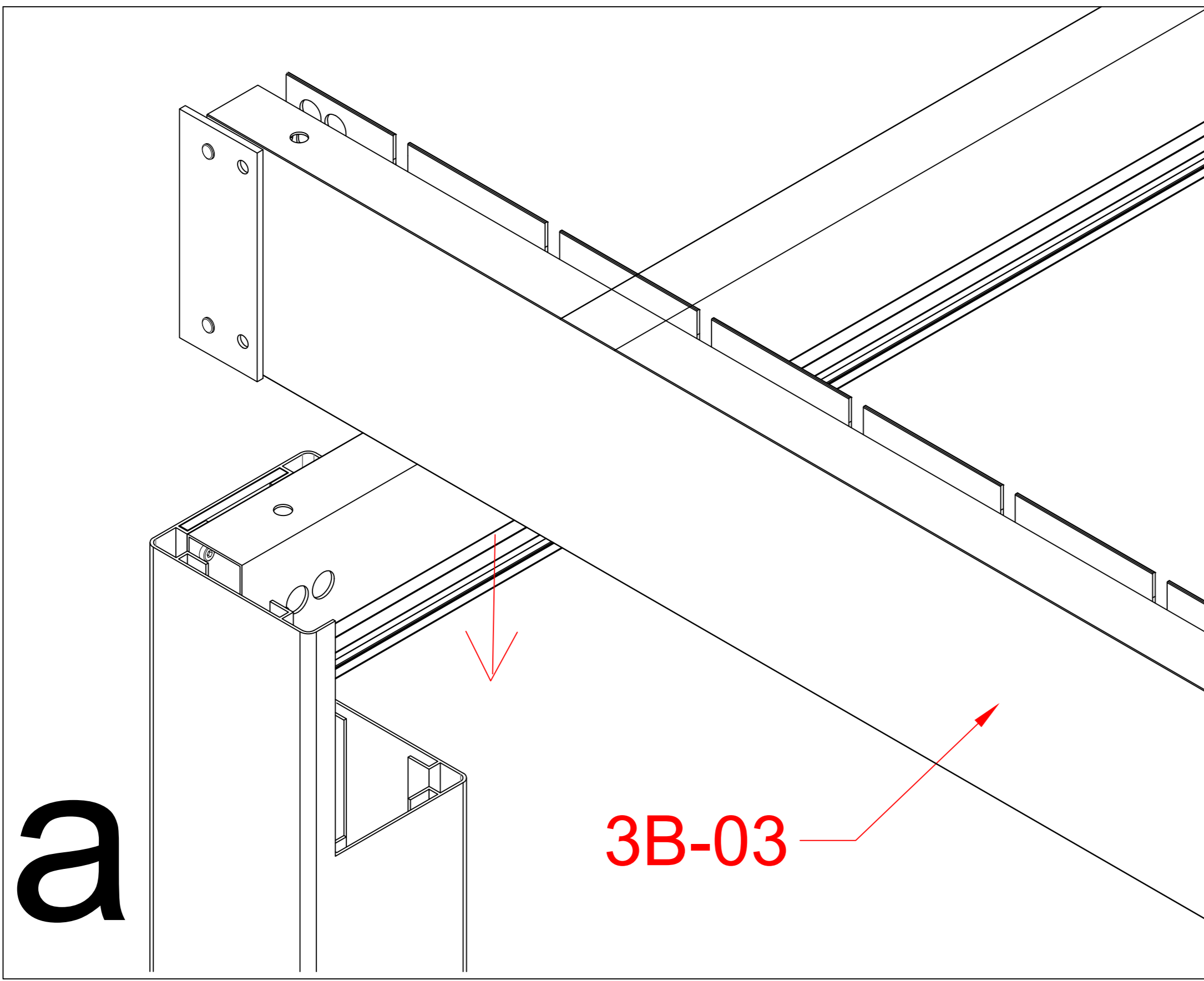


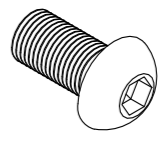
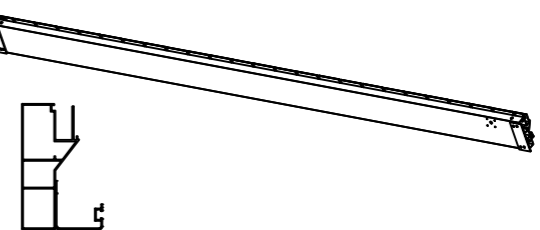
3B-02		1
3B-54	 M4.2*25	5

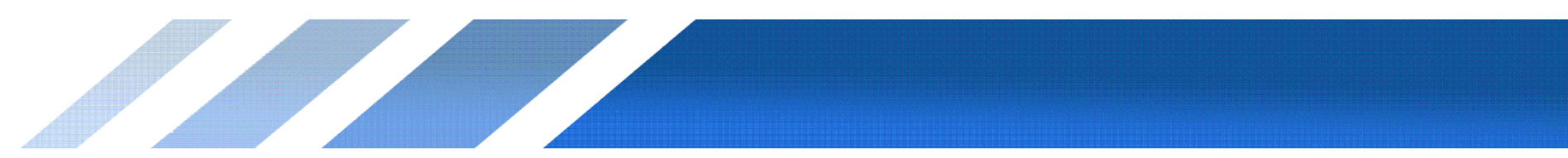


3B-42a	M6*16	10
3B-42b	M6*16 P	8
3B-40		2
3B-41		2
3B-04		2





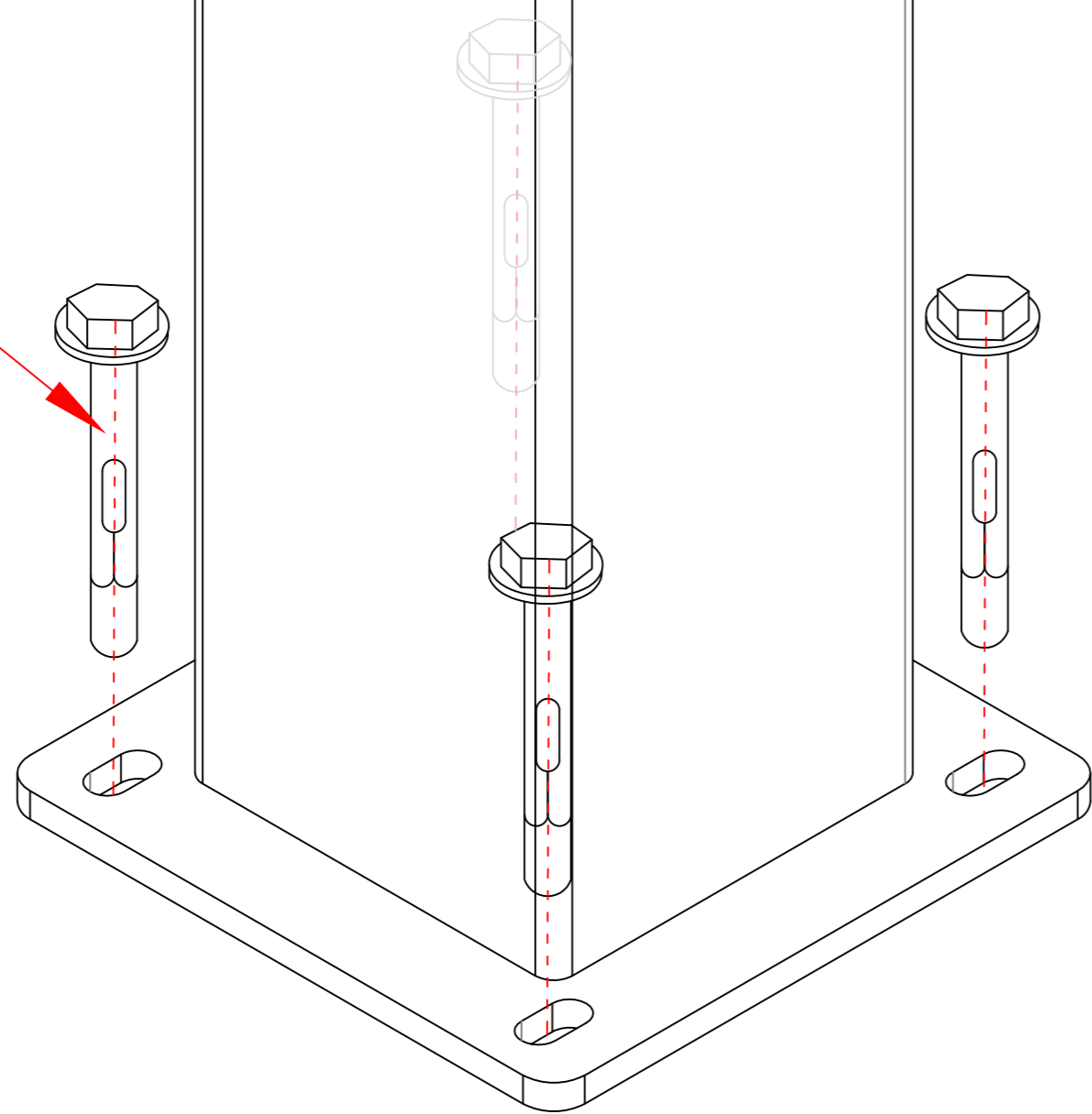
3B-45	 M8*10	4
3B-02		1



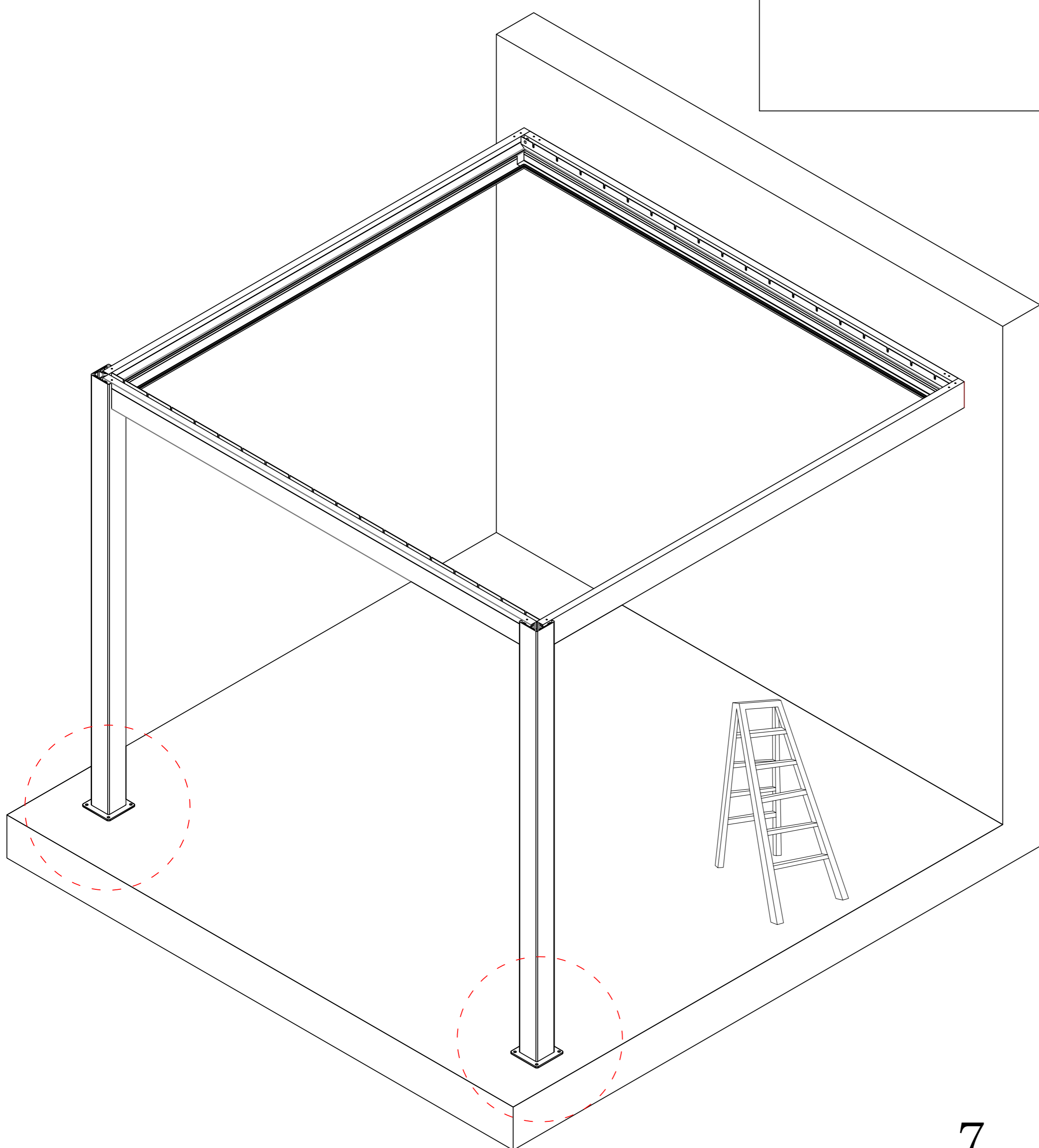
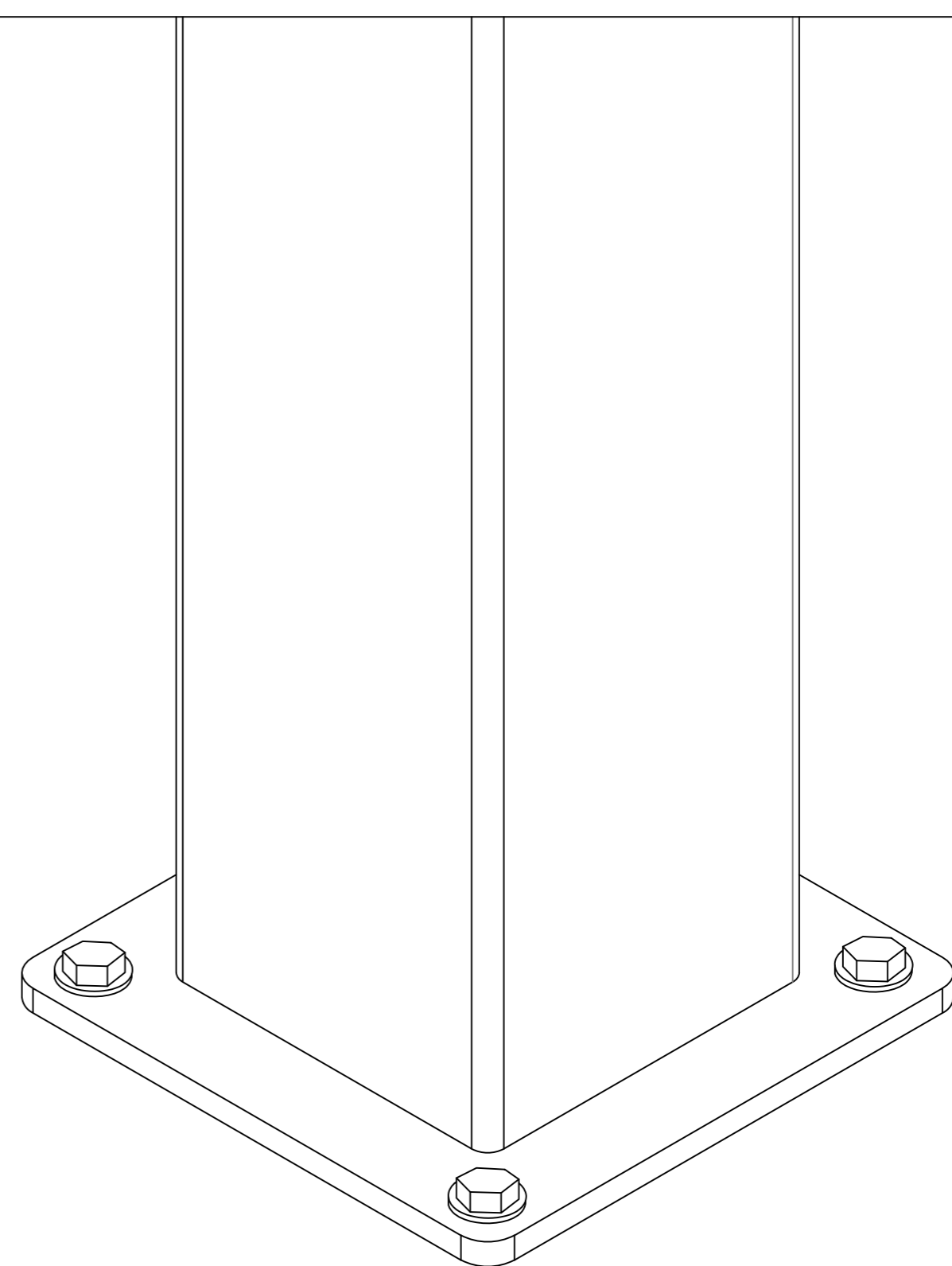


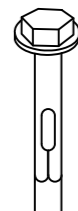
a

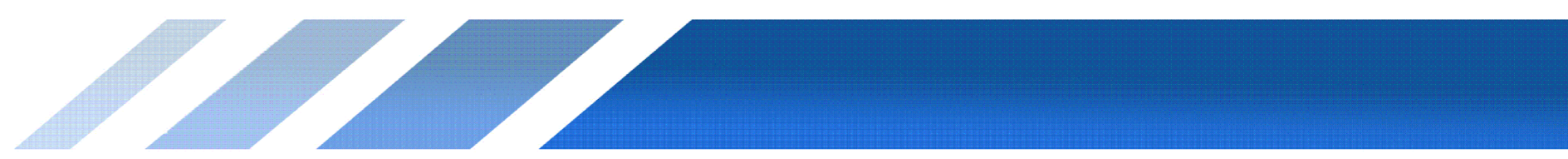
3B-21

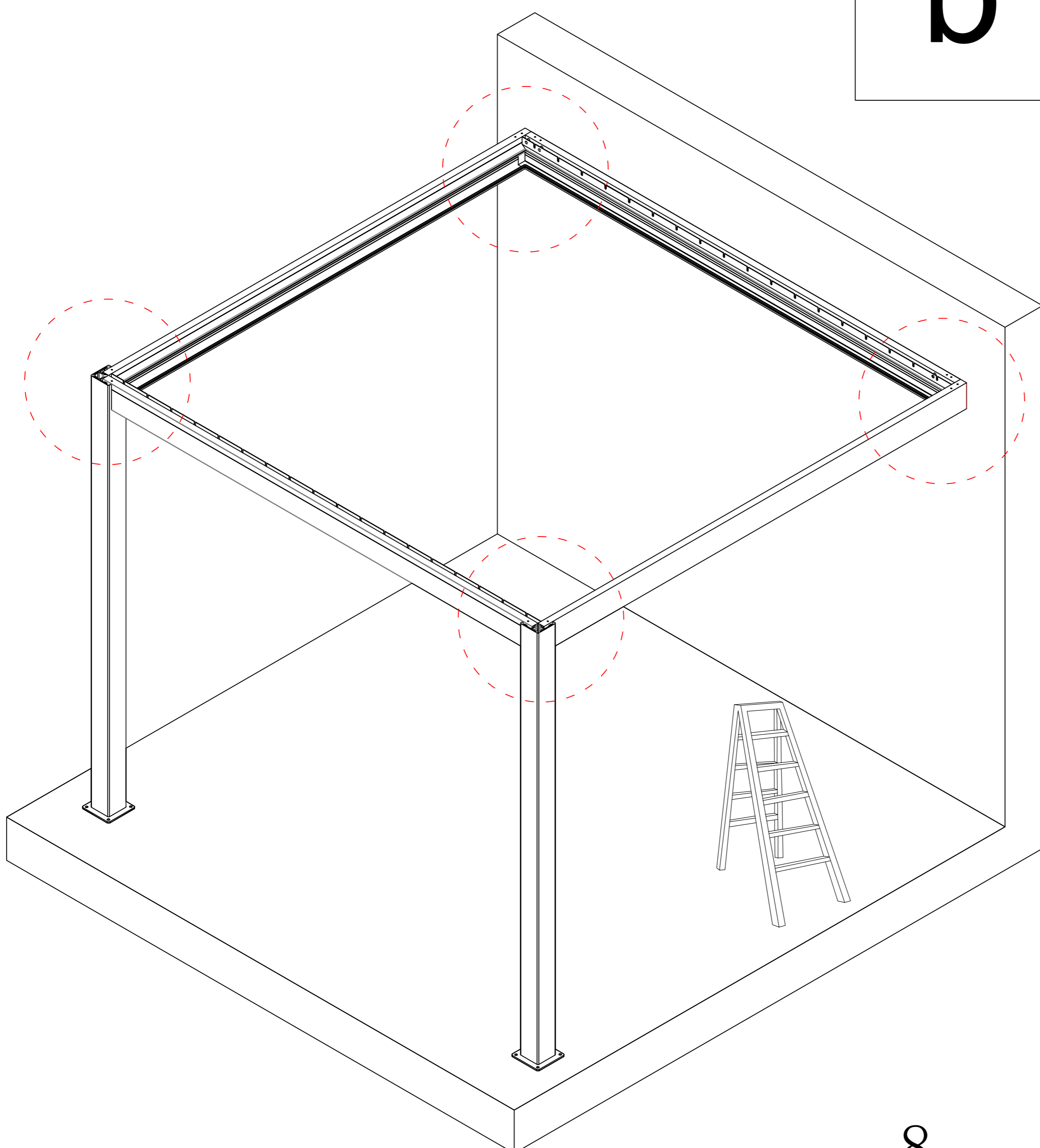
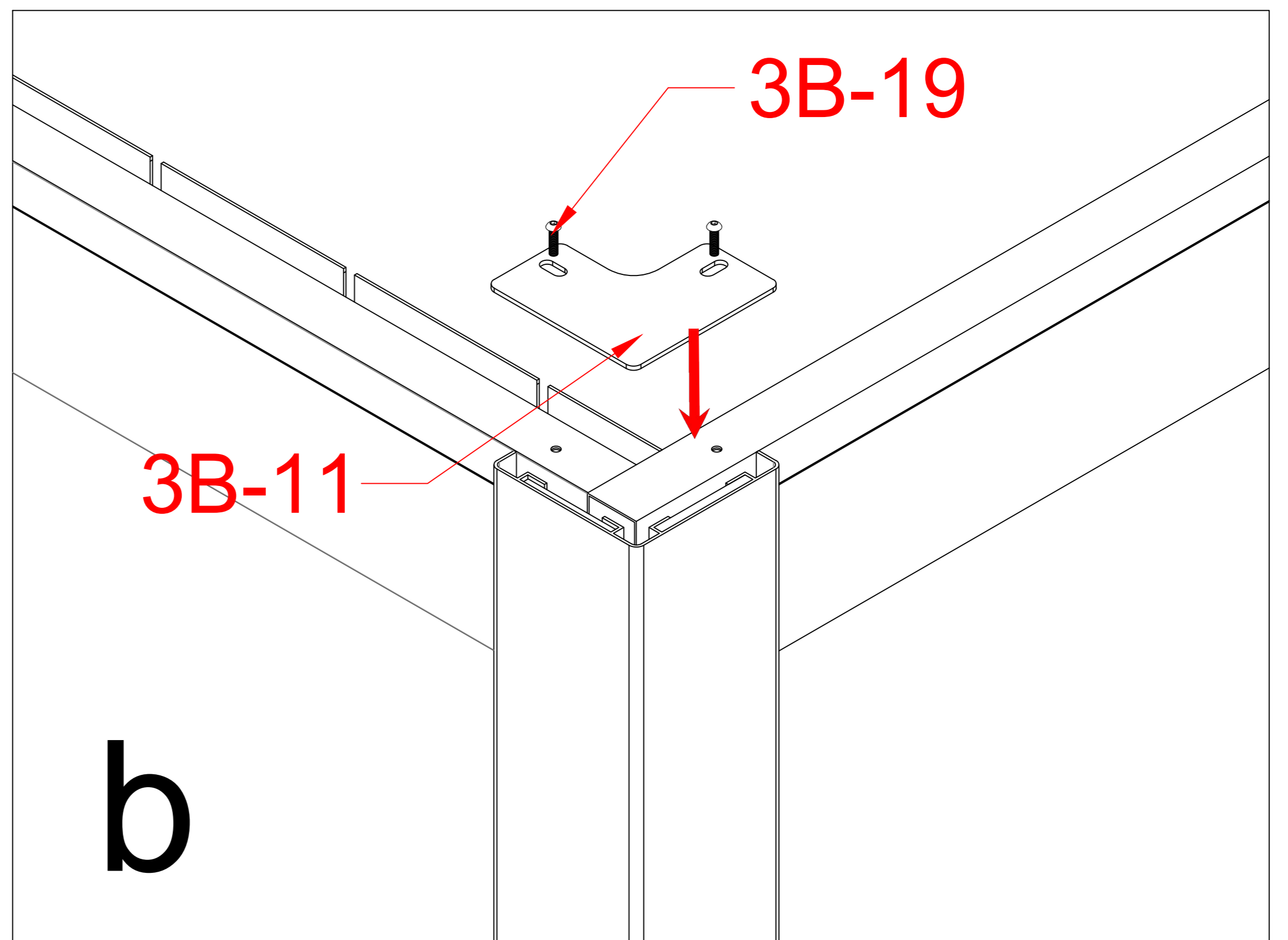
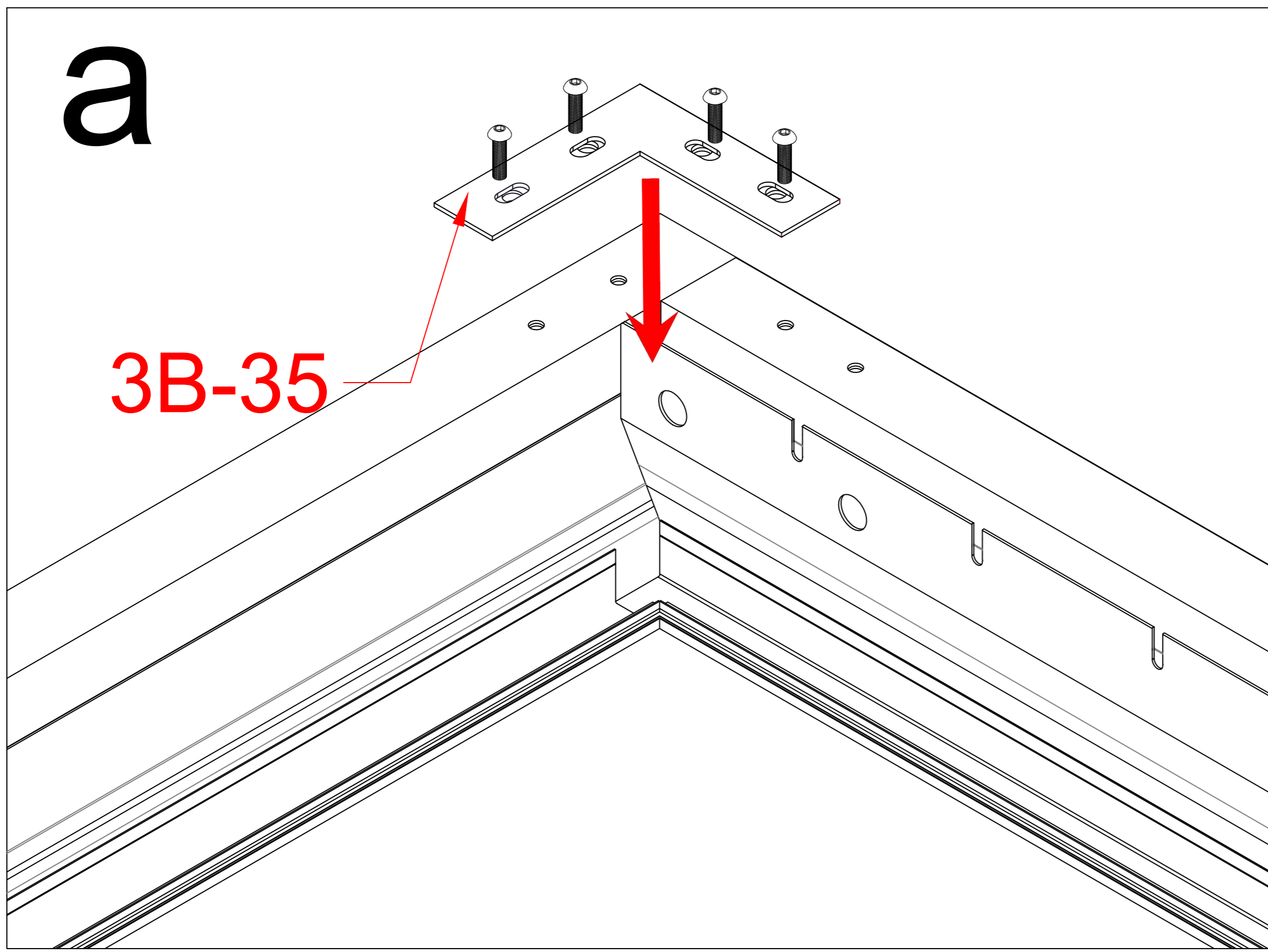


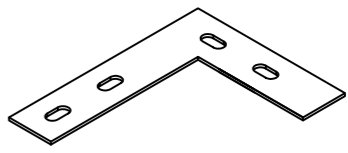
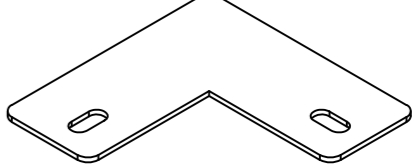
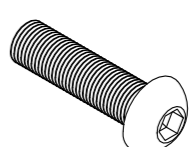
b

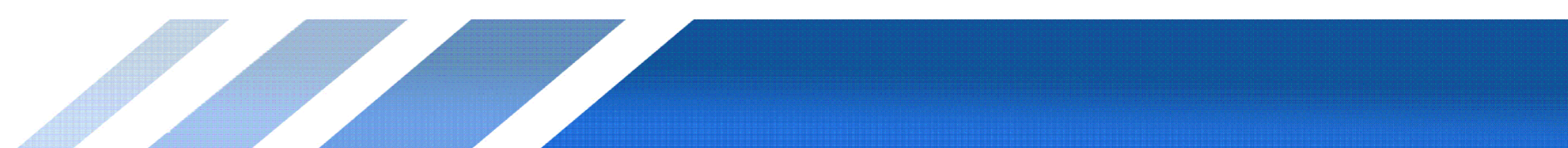


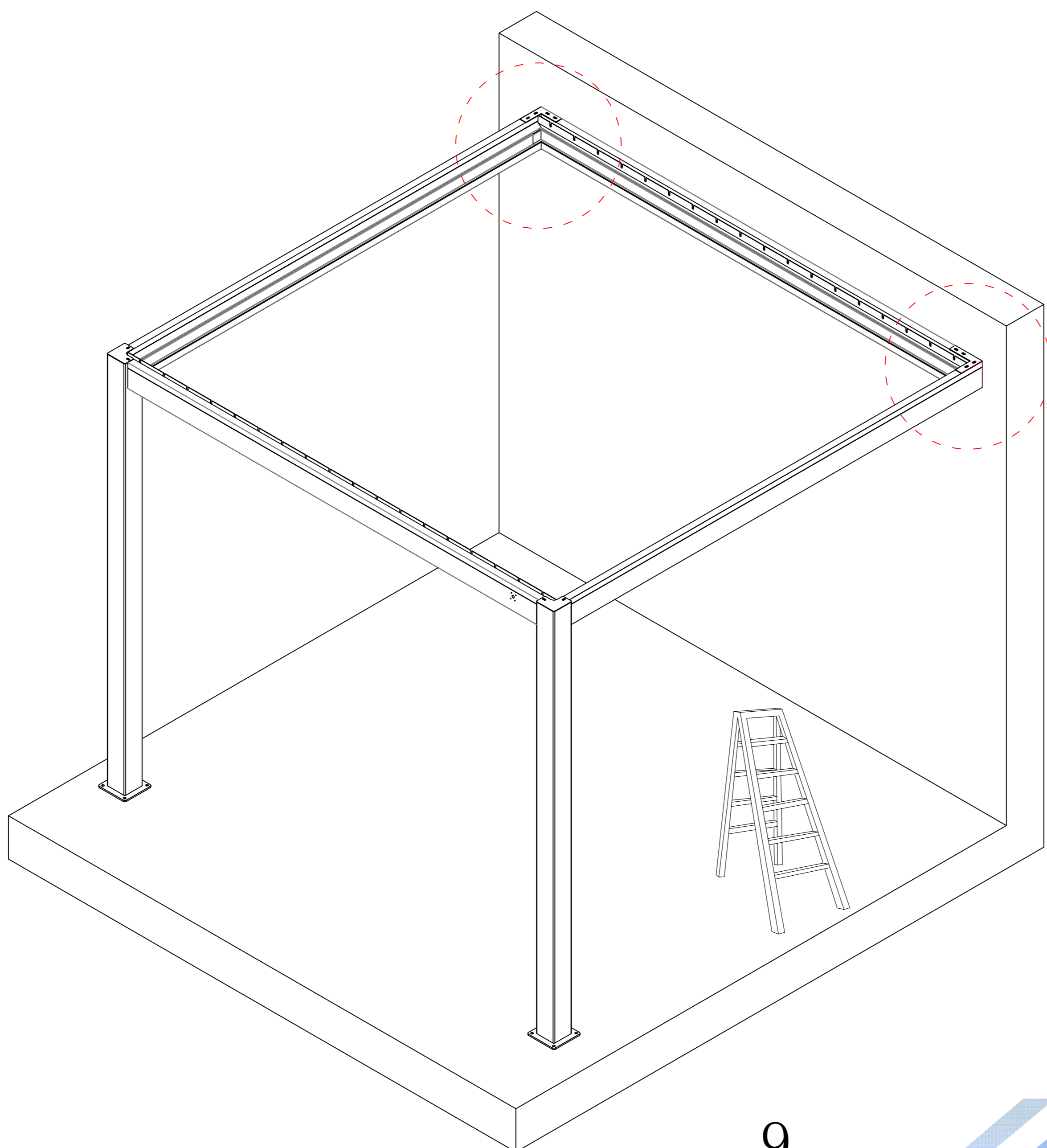
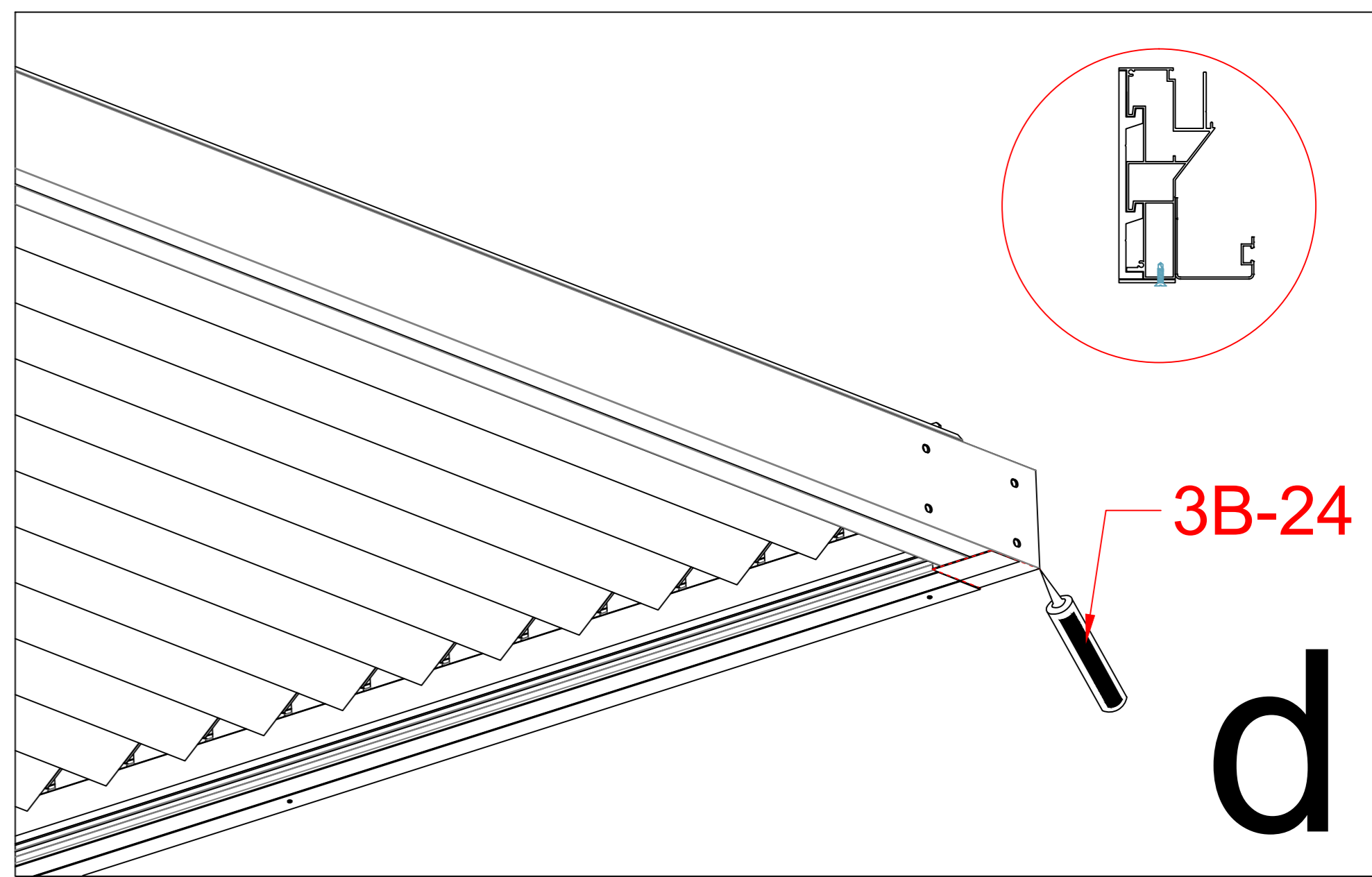
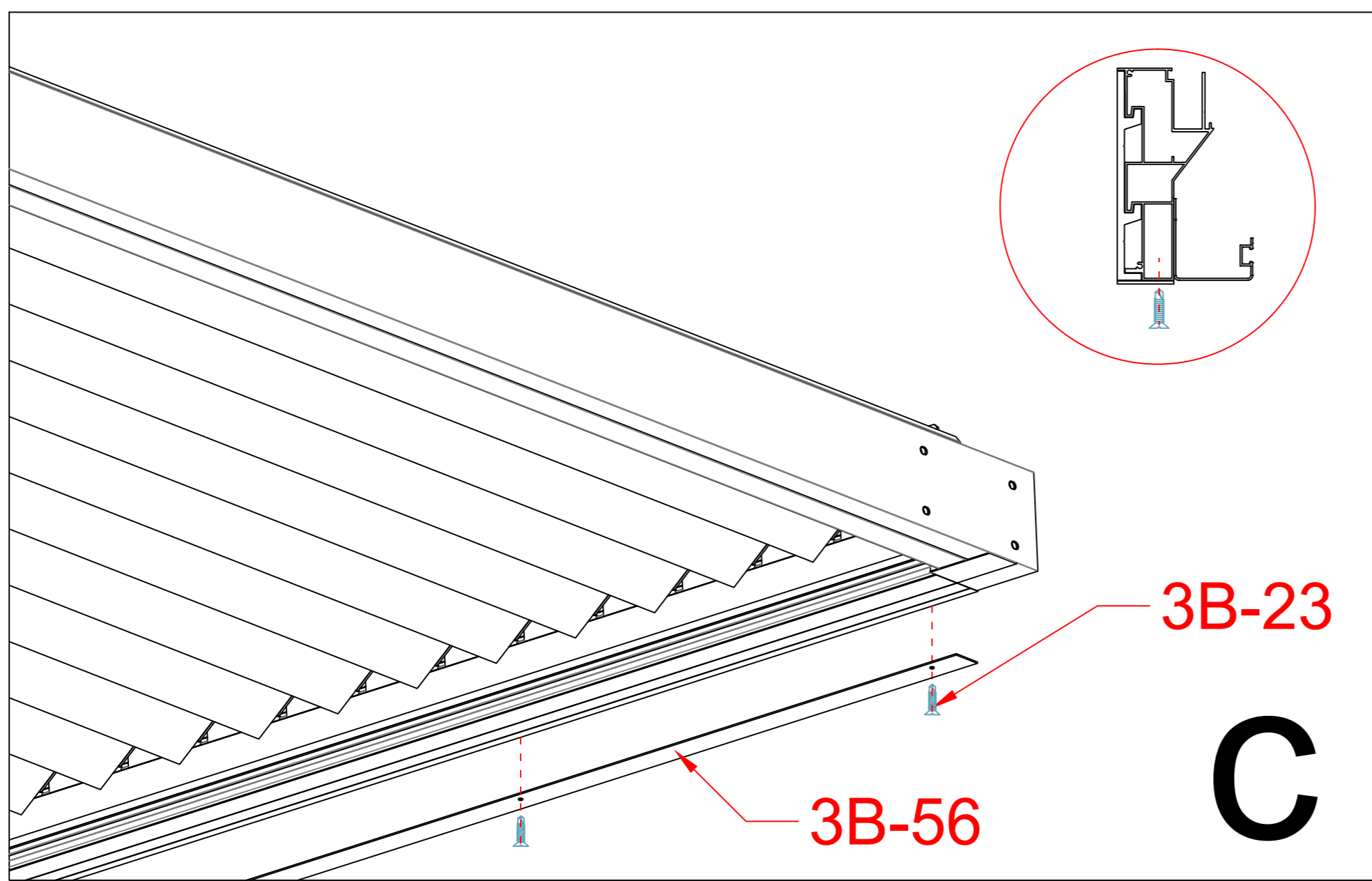
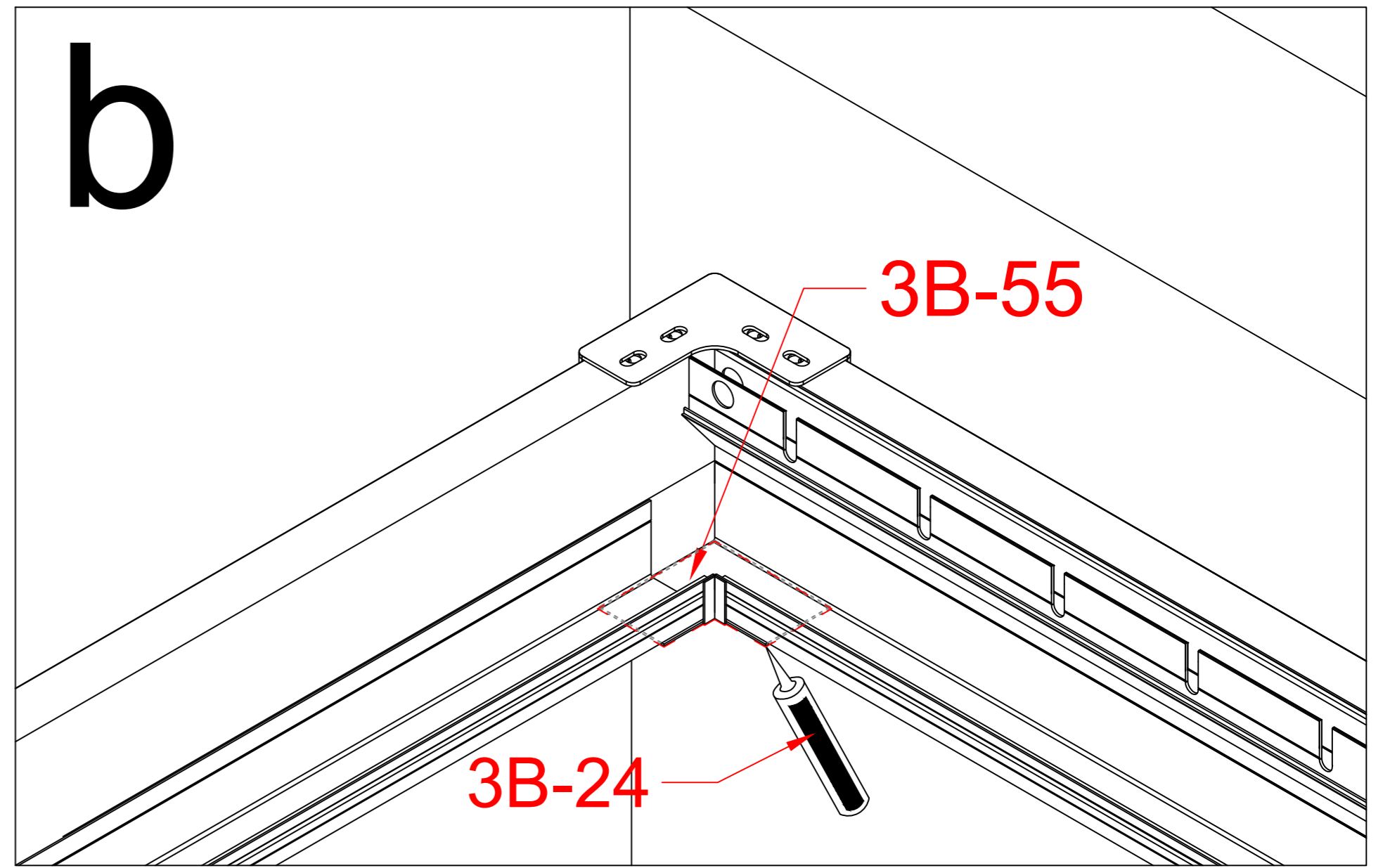
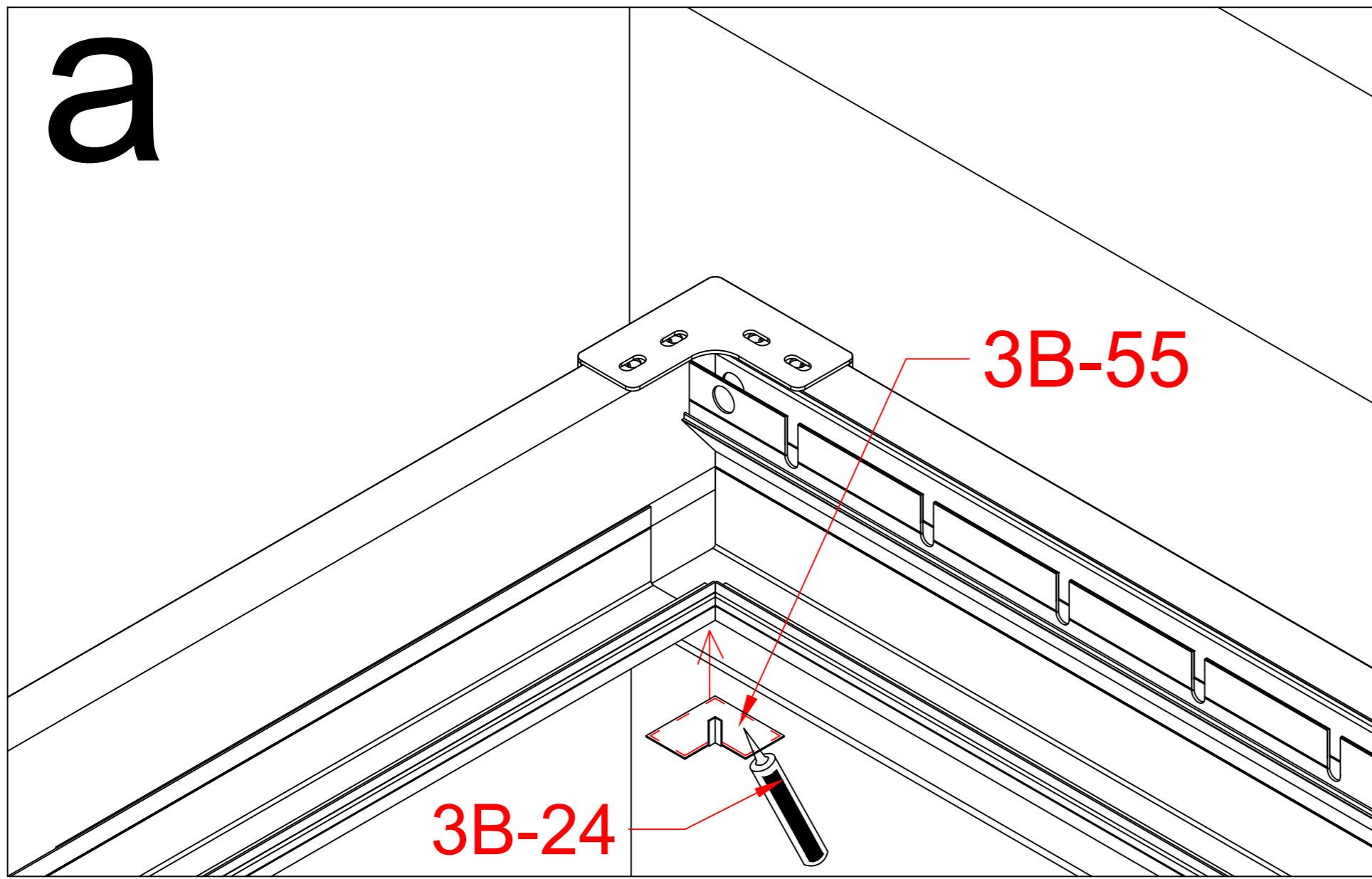
3B-21		8
-------	---	---



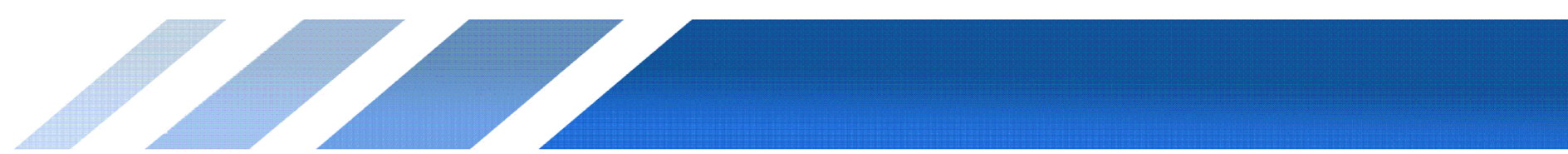


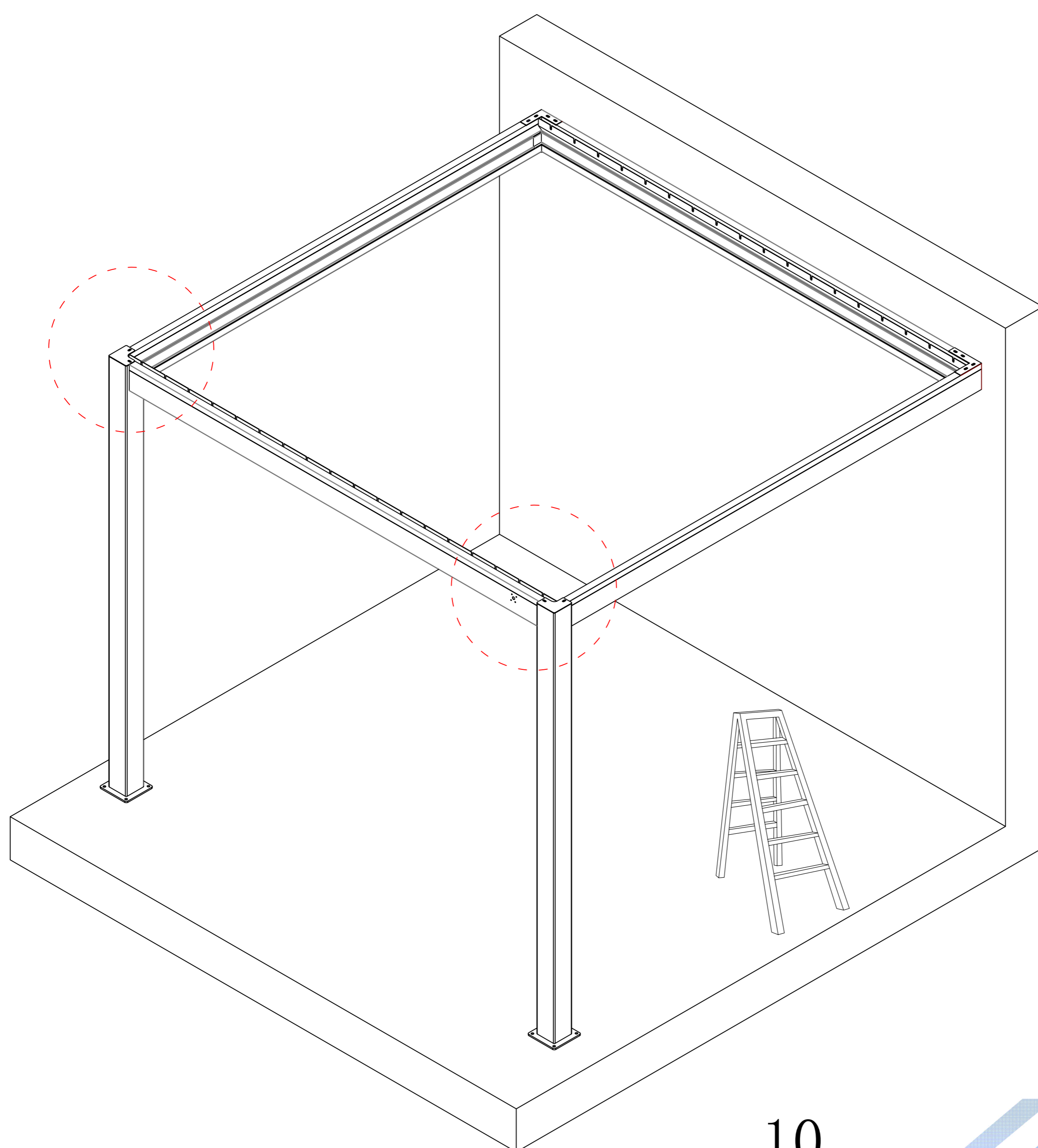
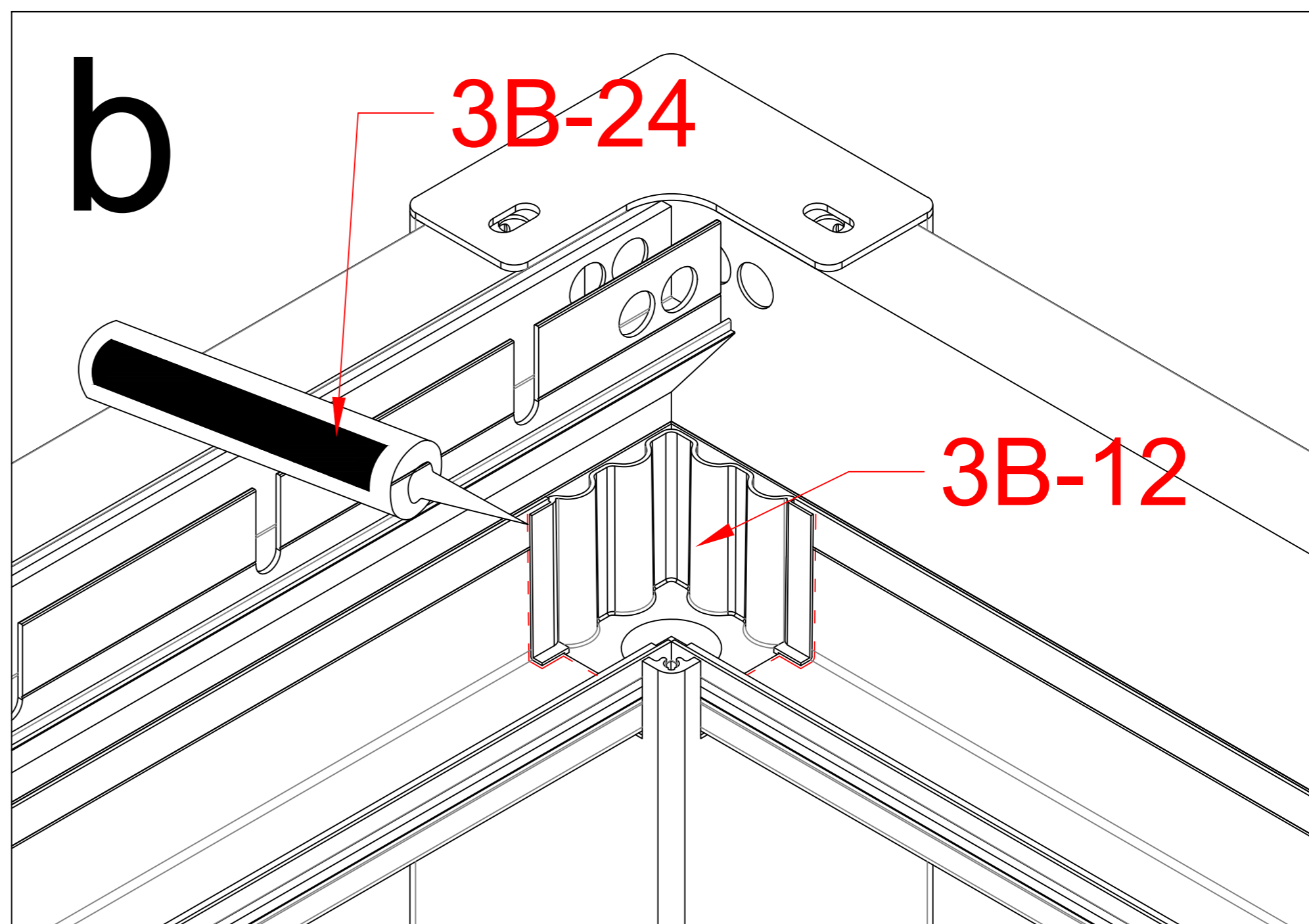
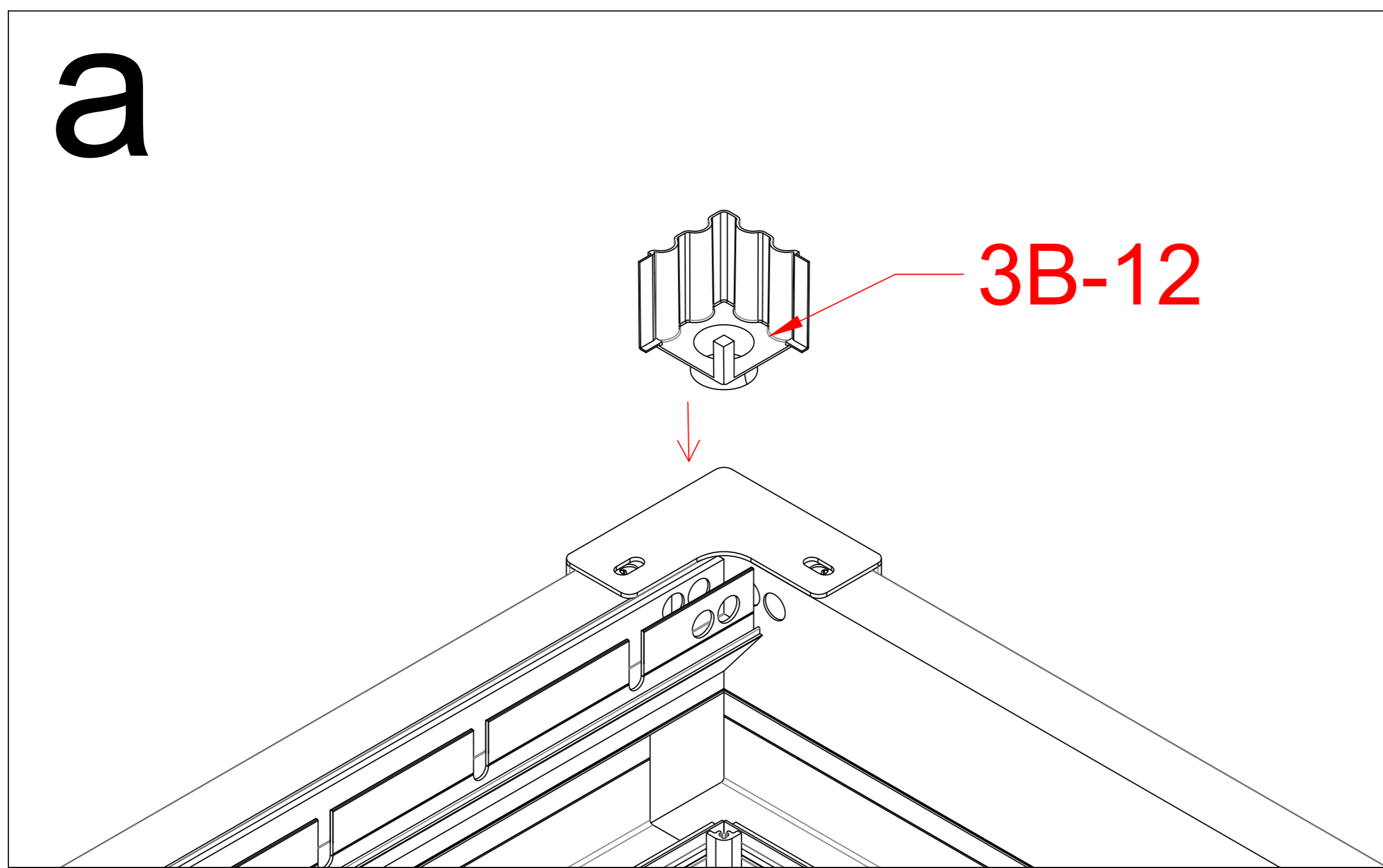
3B-35		2
3B-11		2
3B-19		12



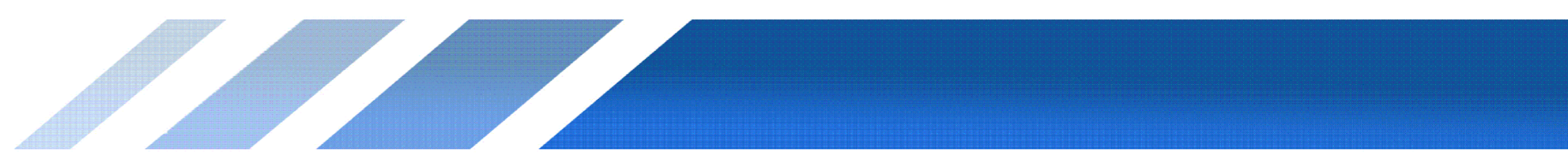


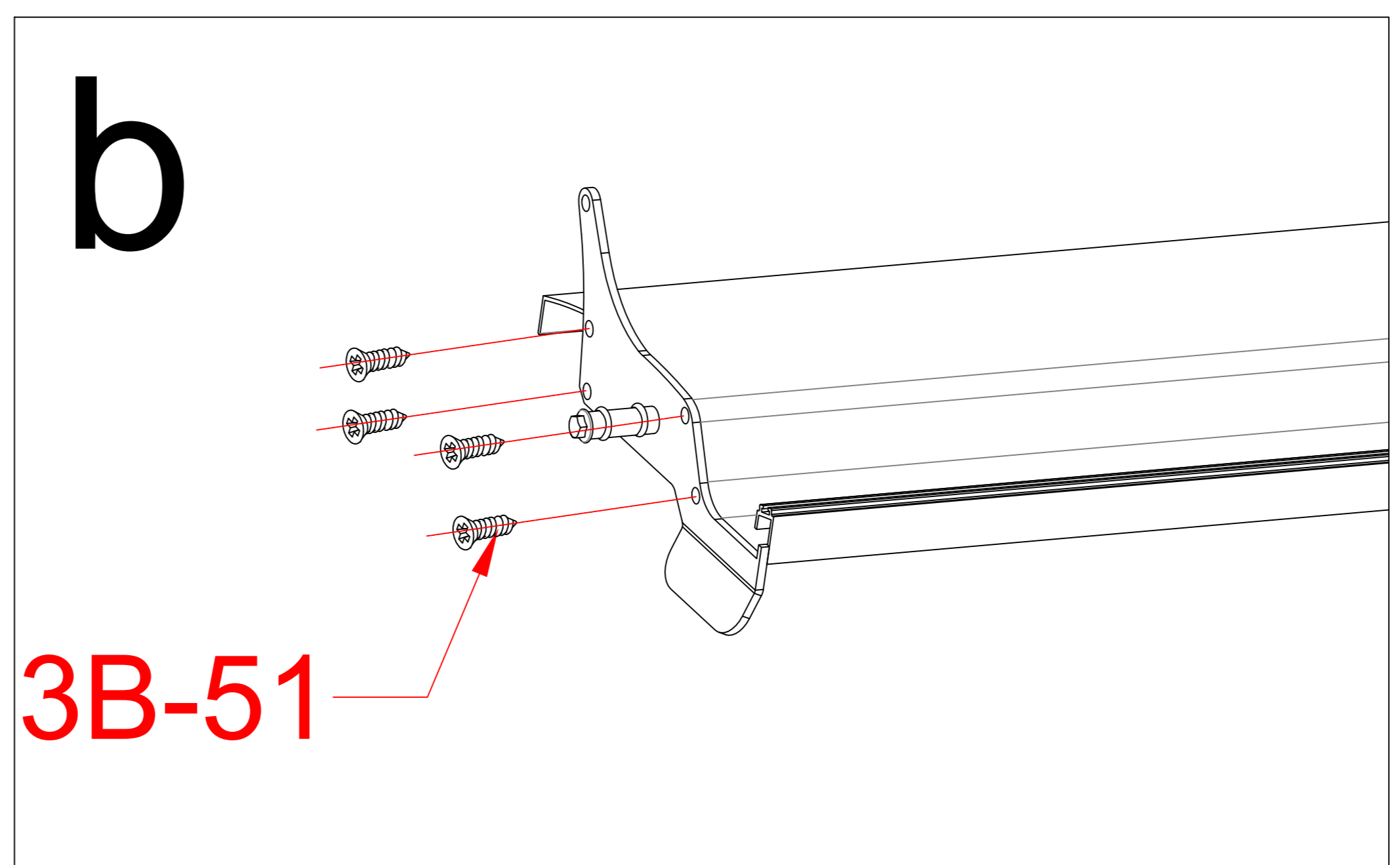
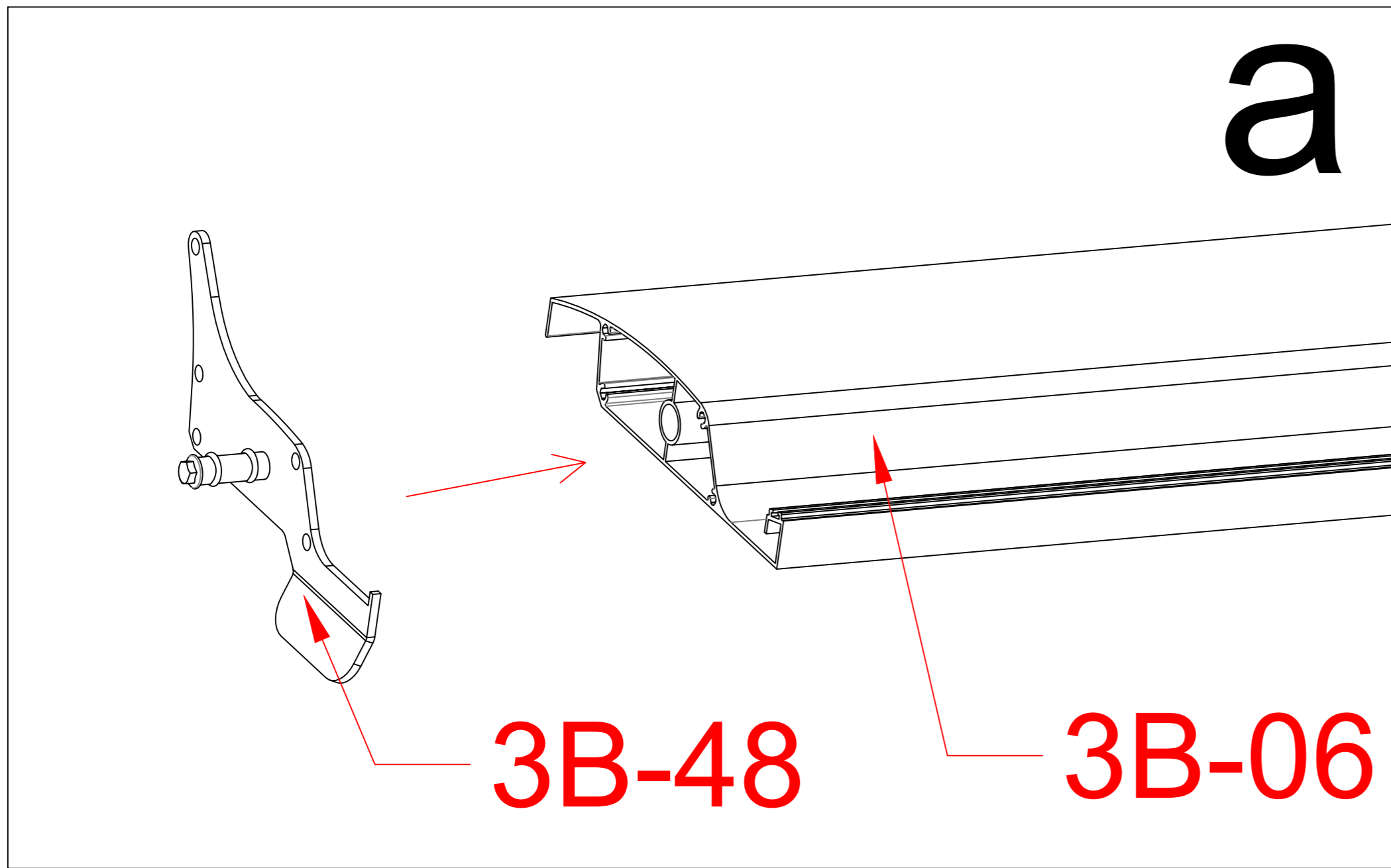
3B-55		2
3B-56		1
3B-23		5





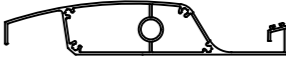
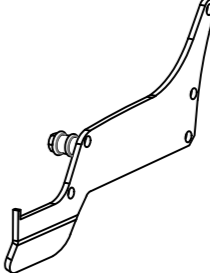


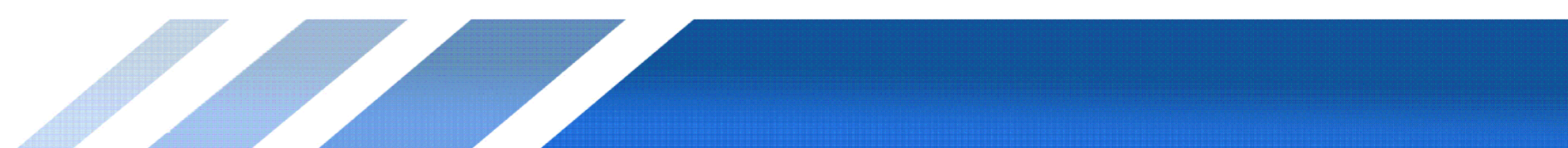
3B-24		1
3B-12		2

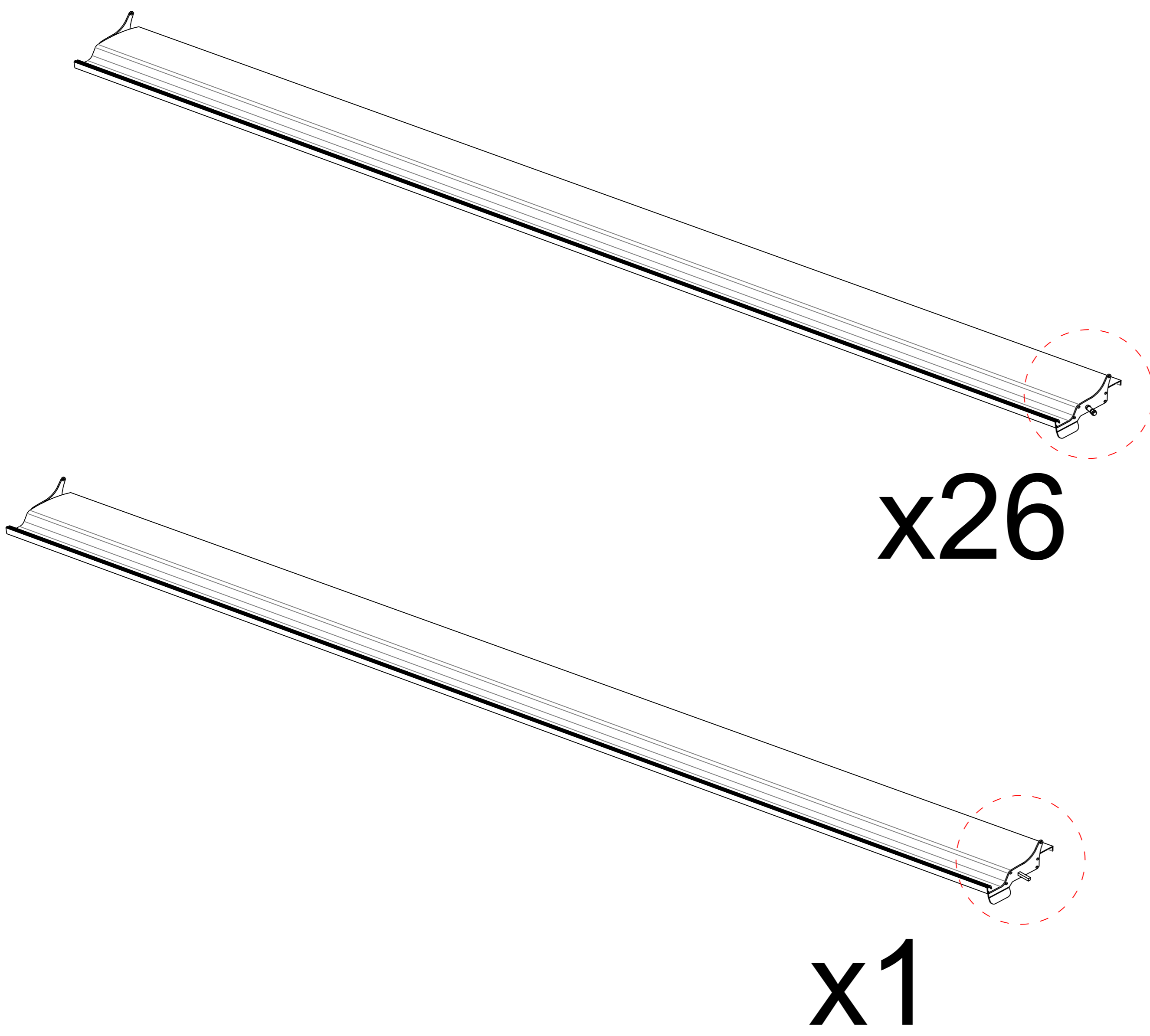
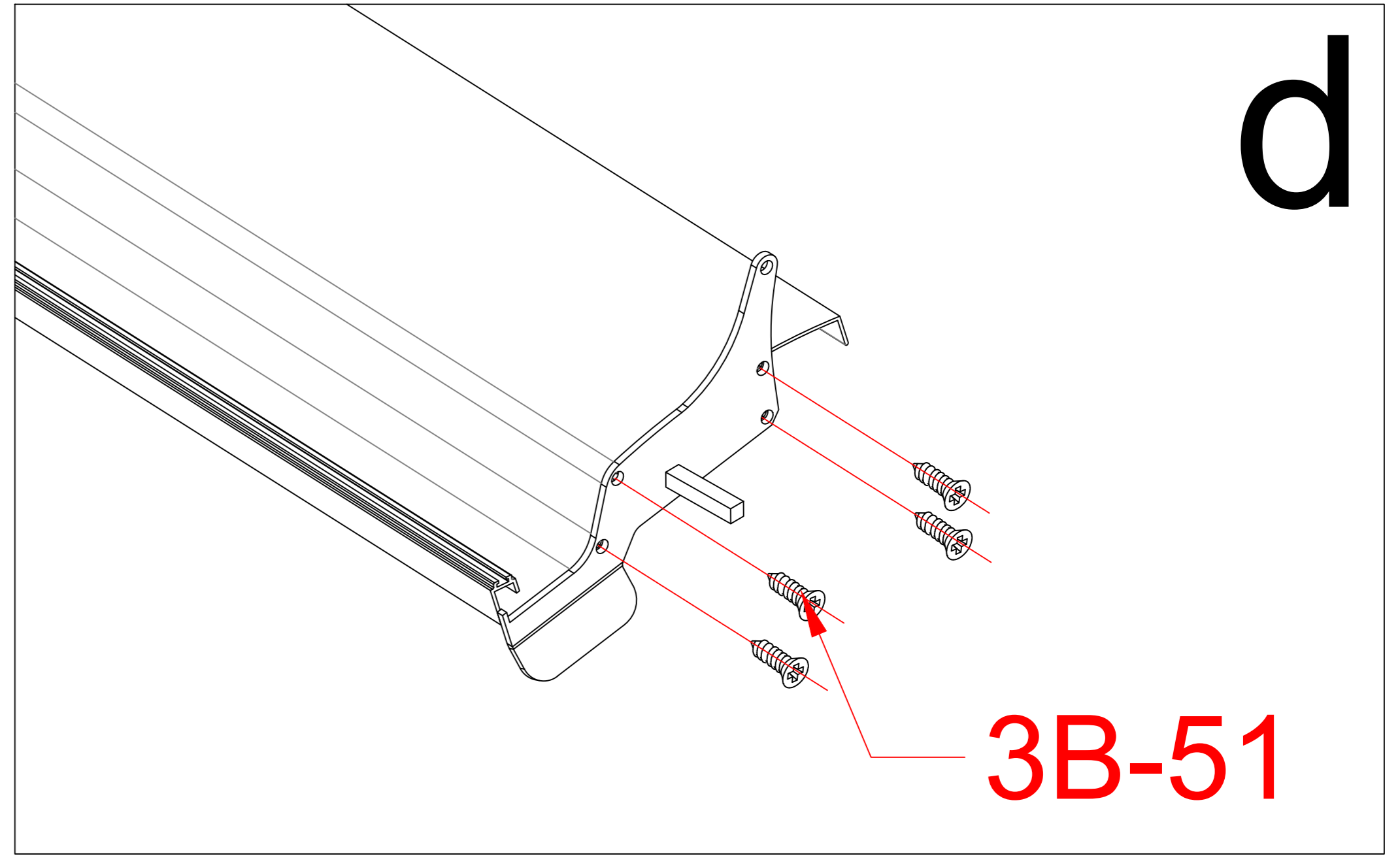
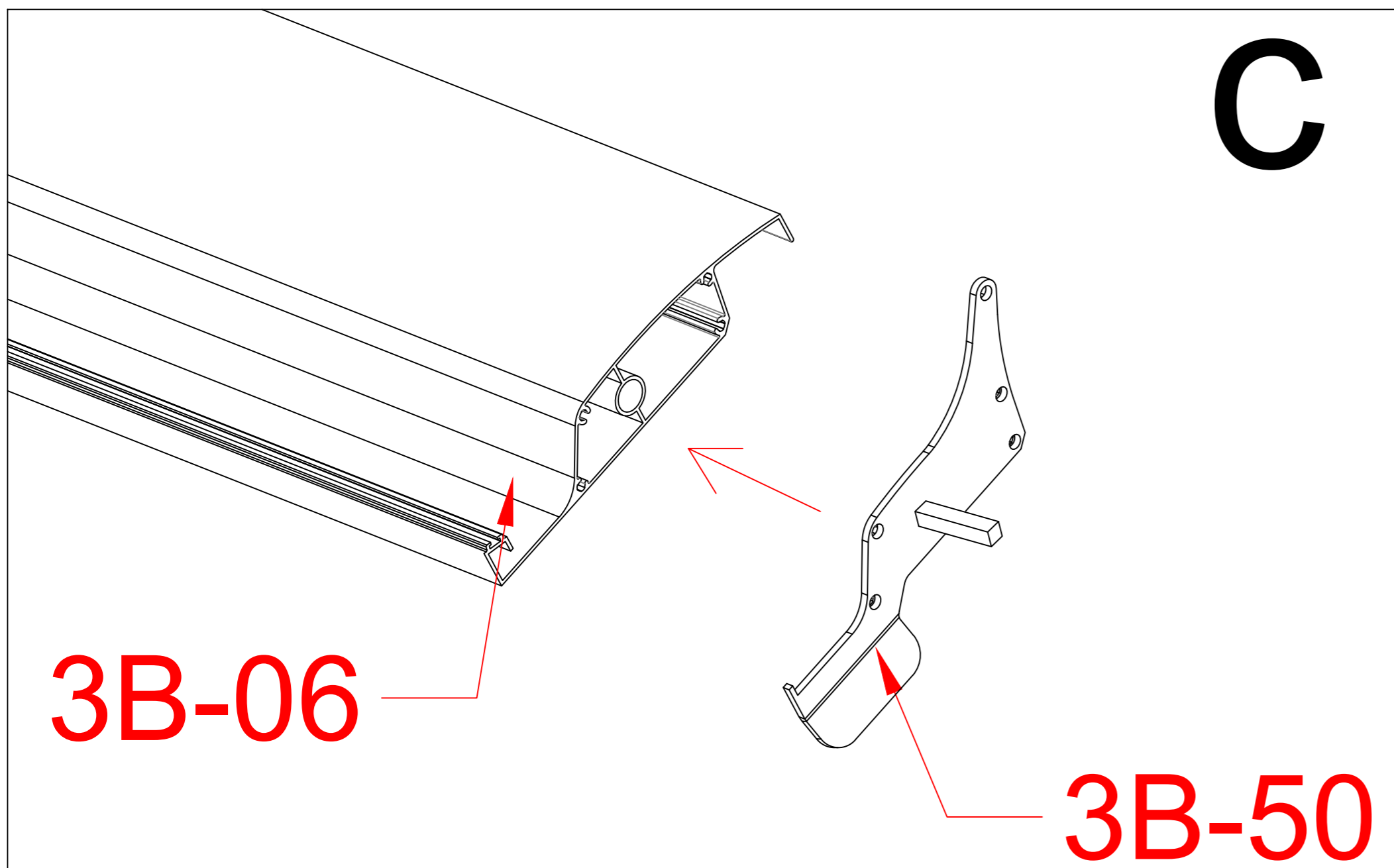
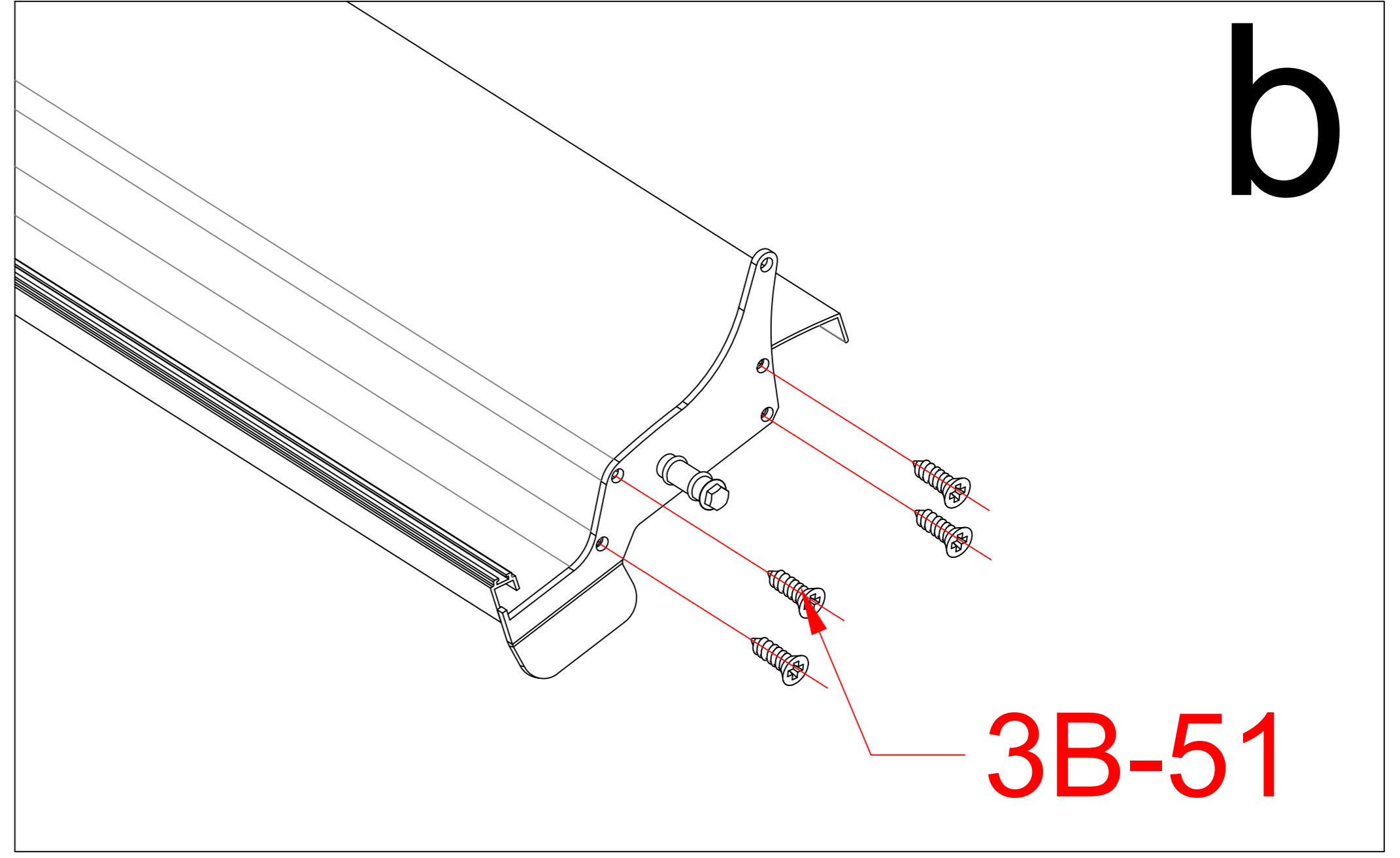
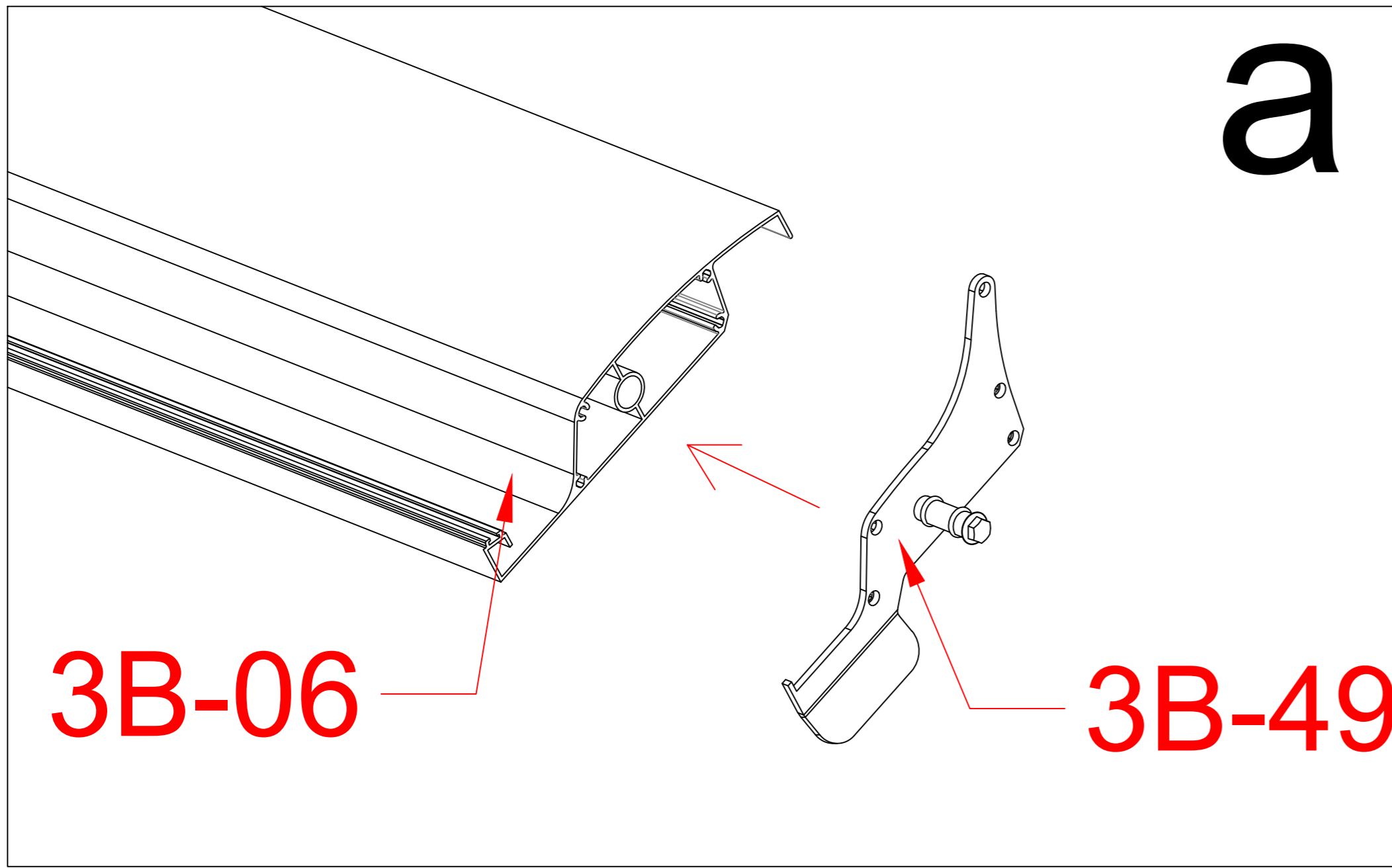


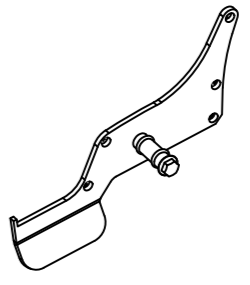
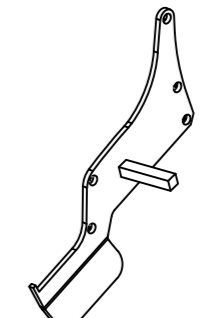



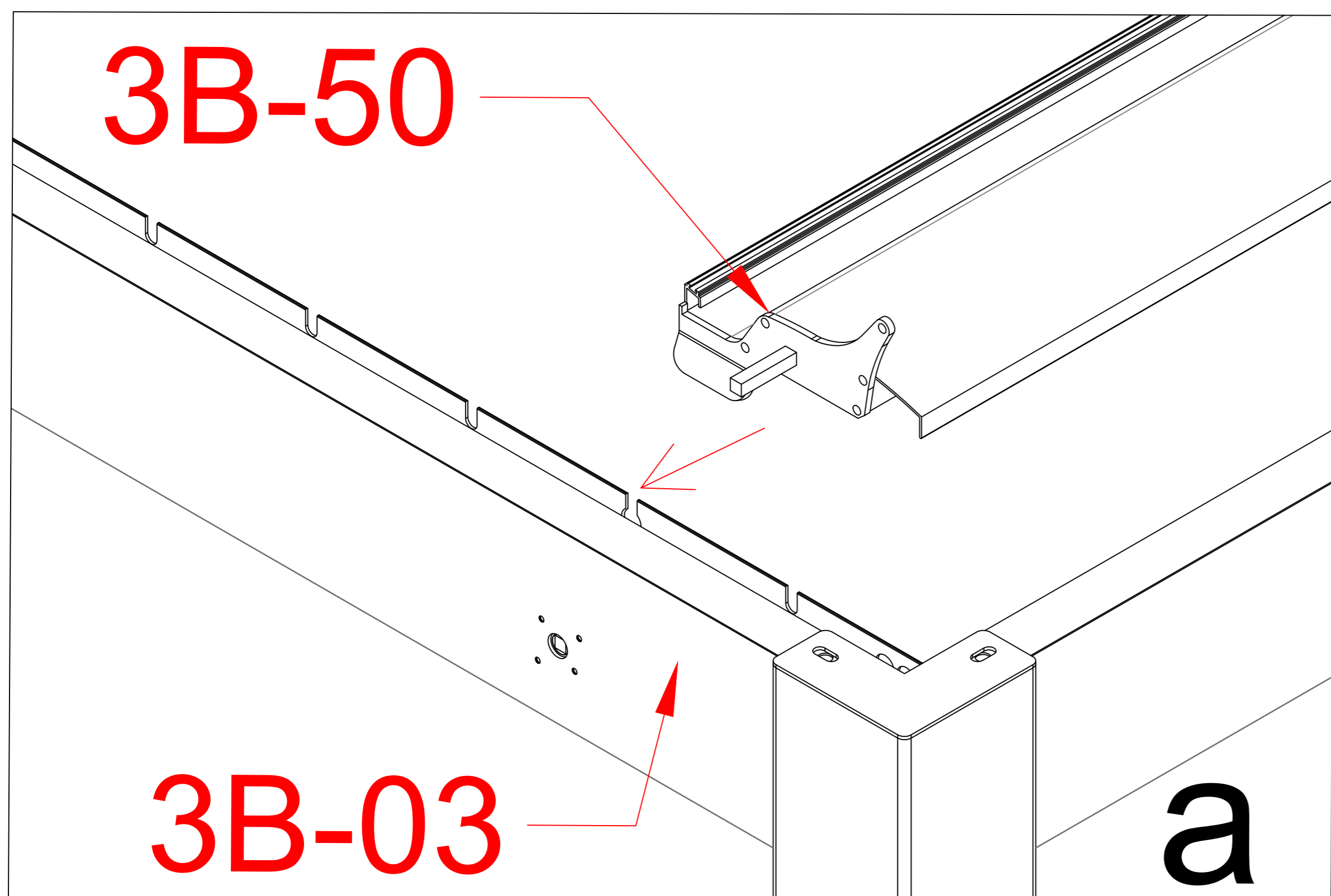
x27

3B-51		108
3B-06	 	27
3B-48		27

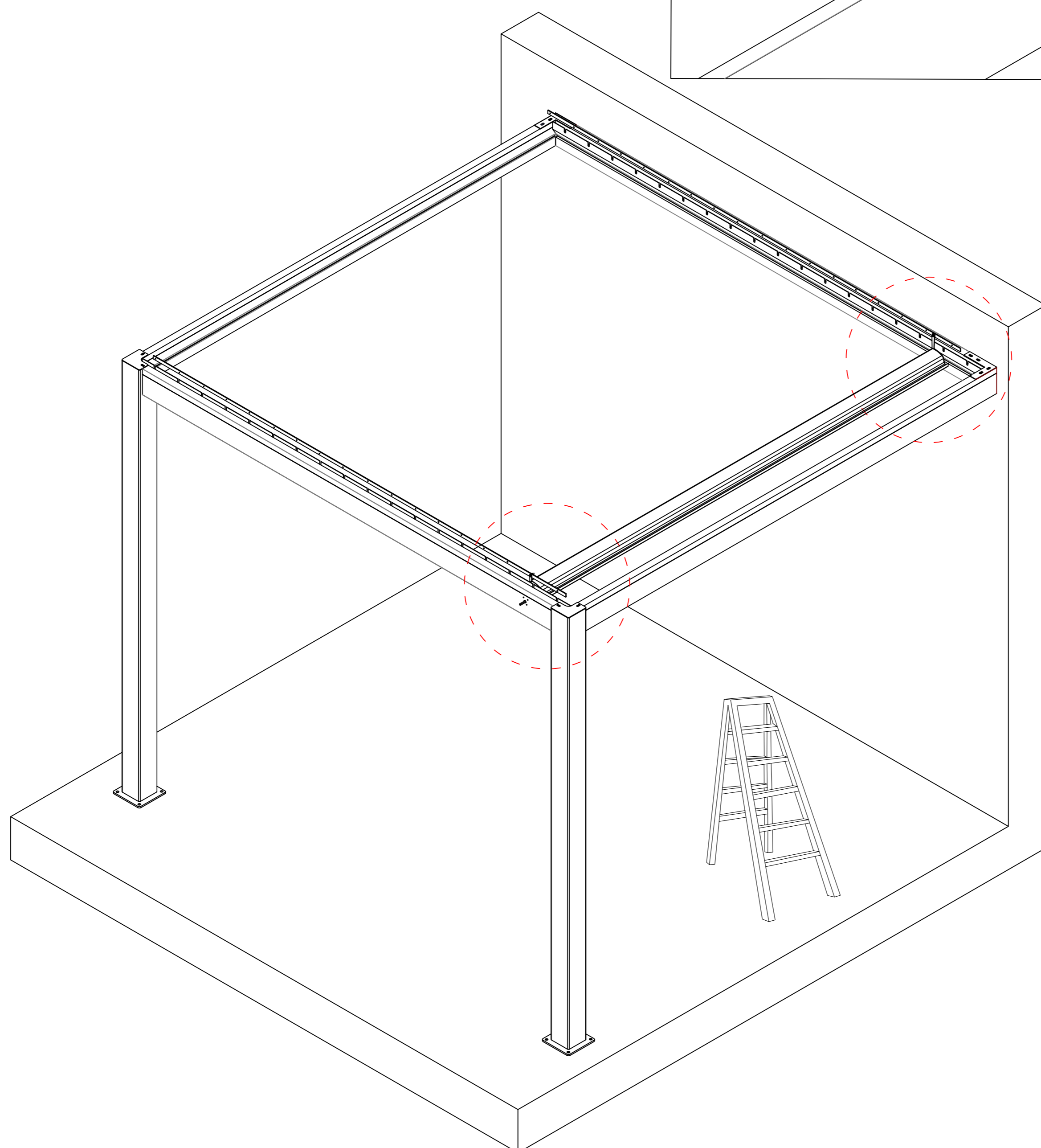
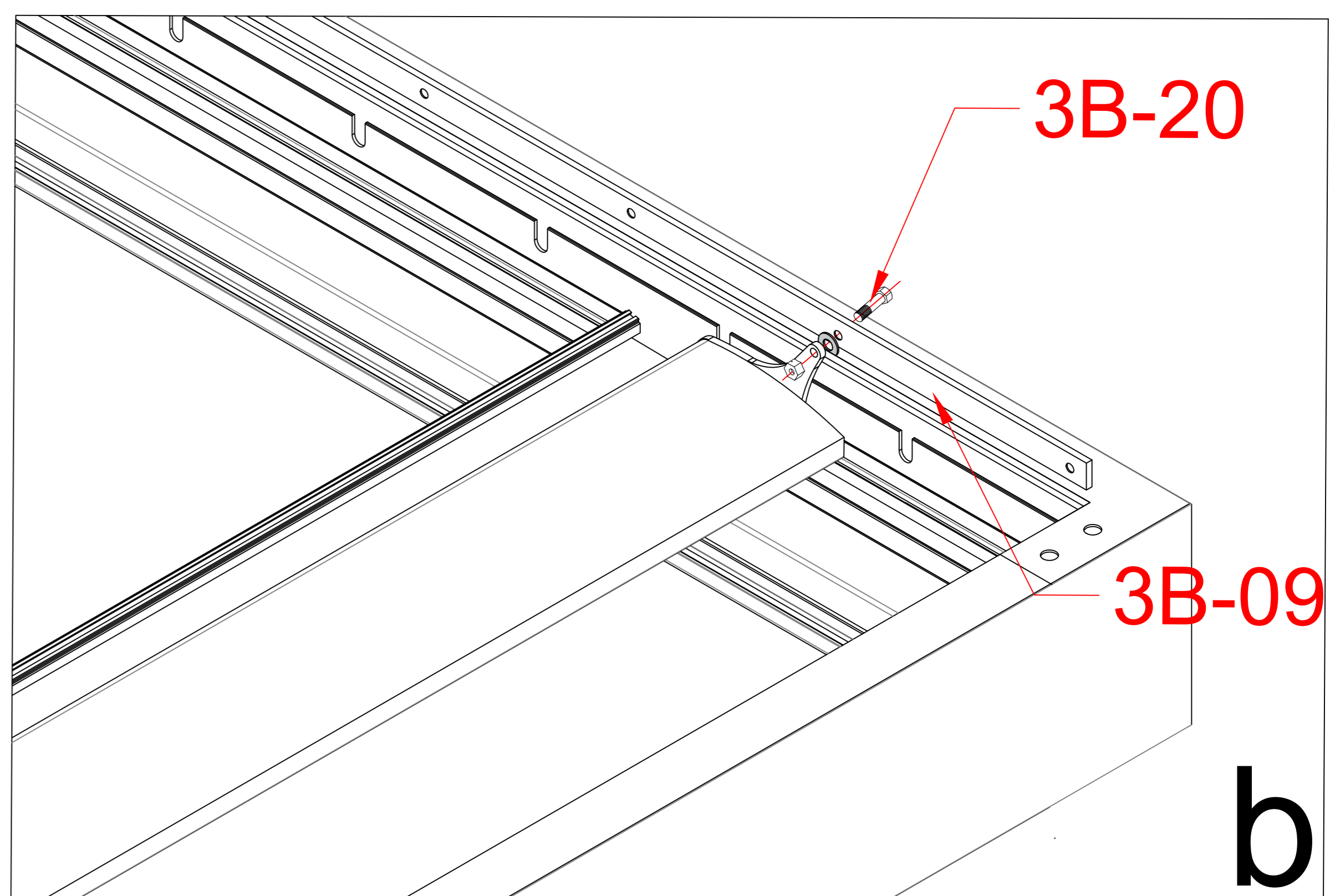




3B-49		26
3B-50		1
3B-51		108

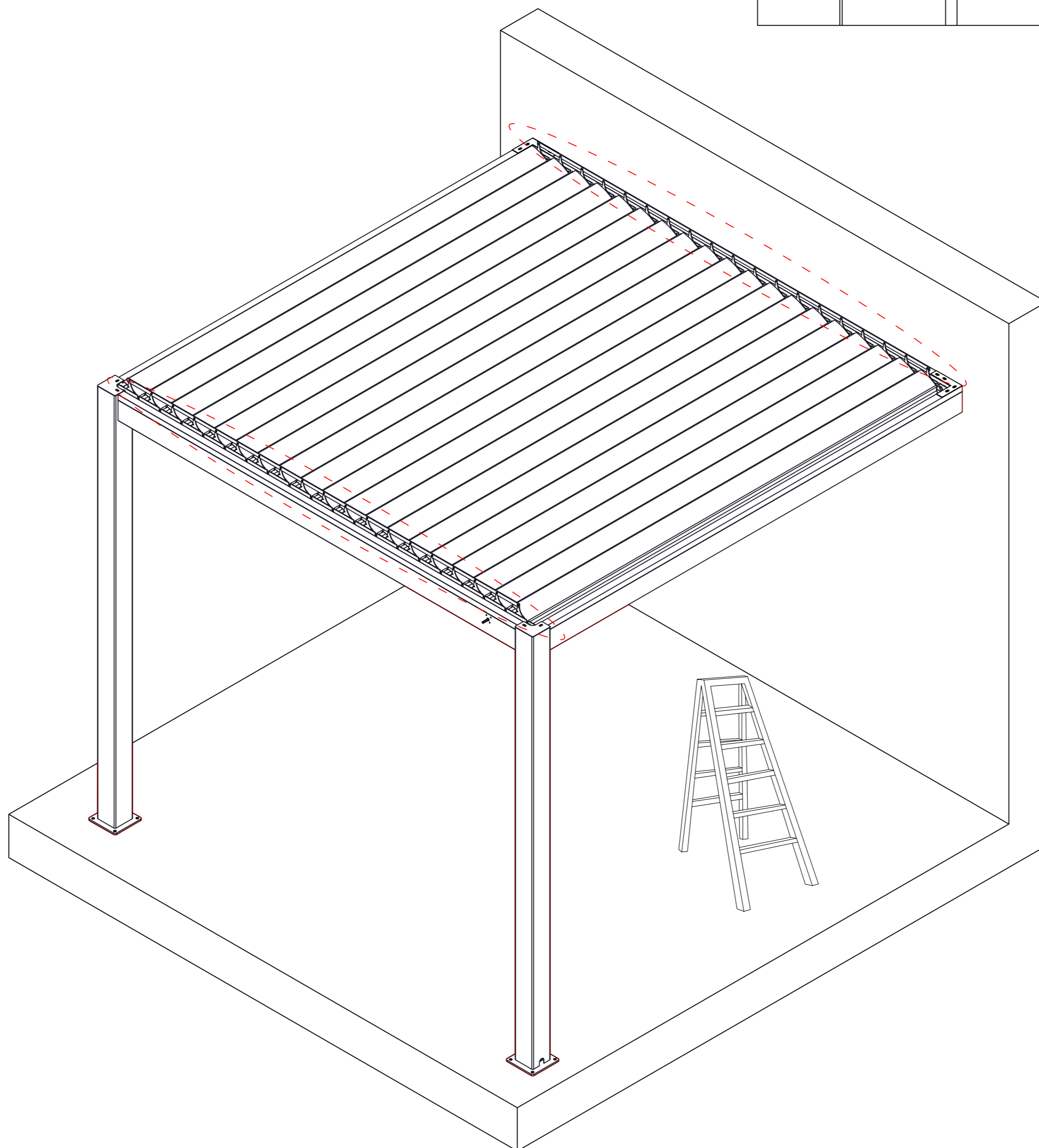
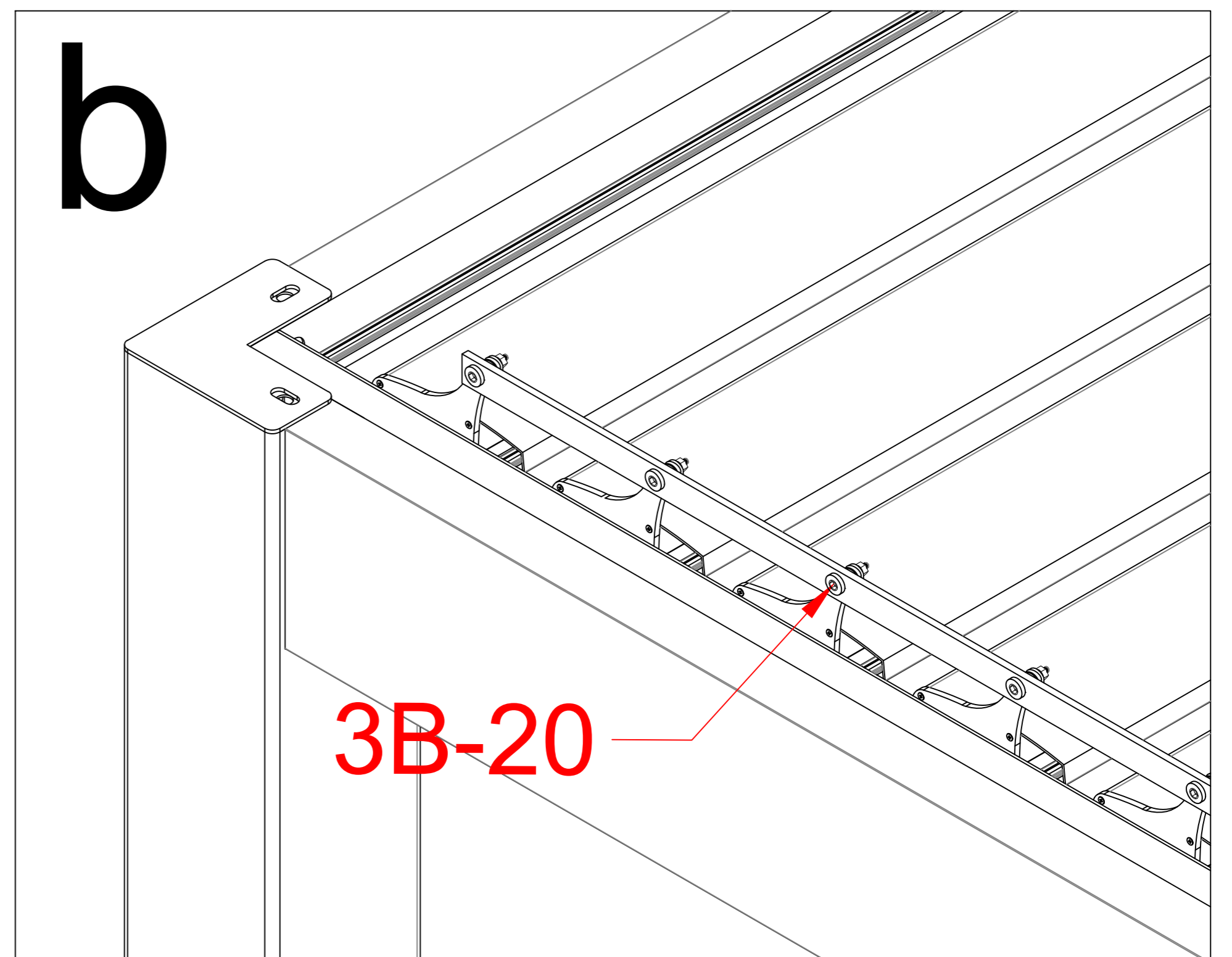
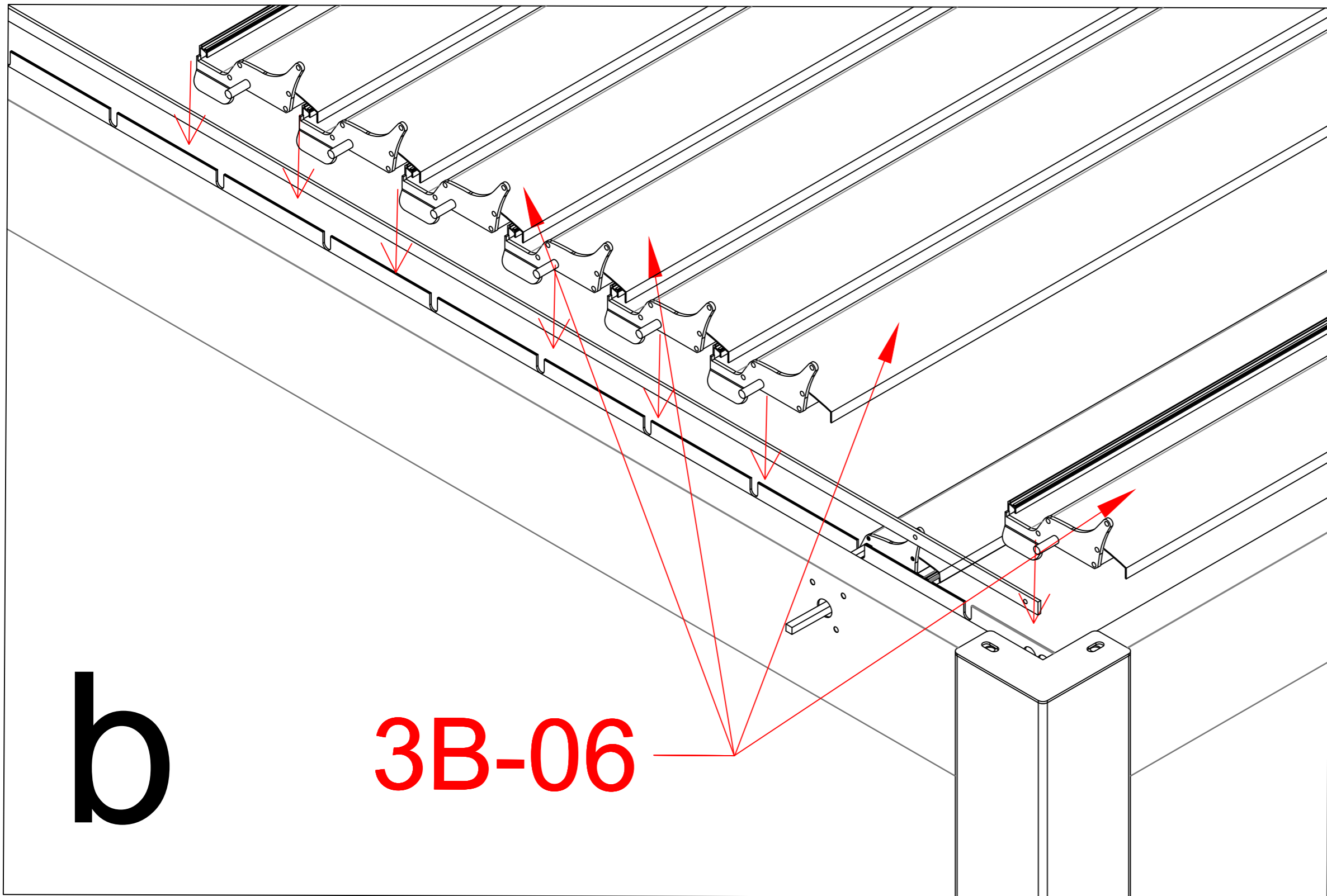


warning:
Bolts must be tightened,
but not overtight as
louvres have to move.

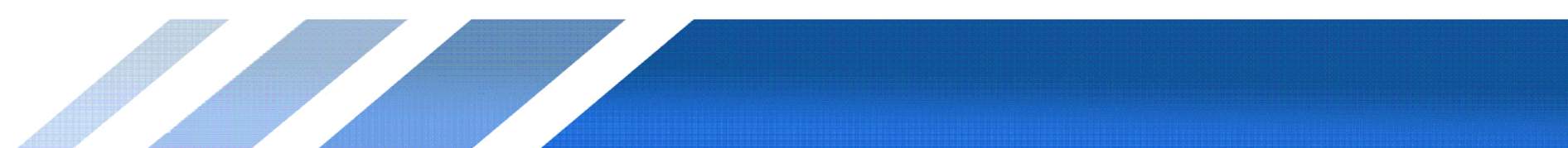


3B-09		2
3B-20		2
3B-06 /50		1



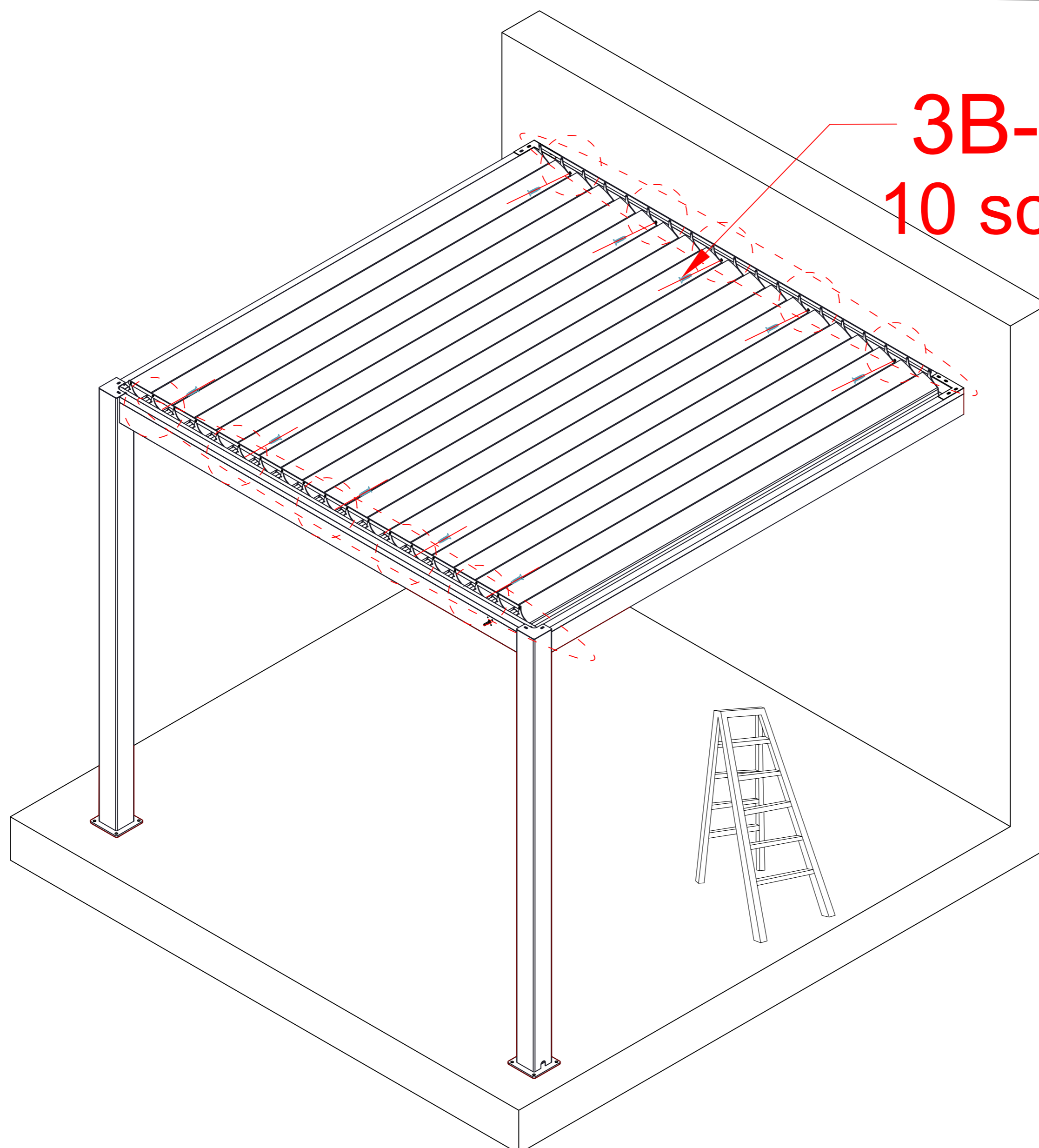
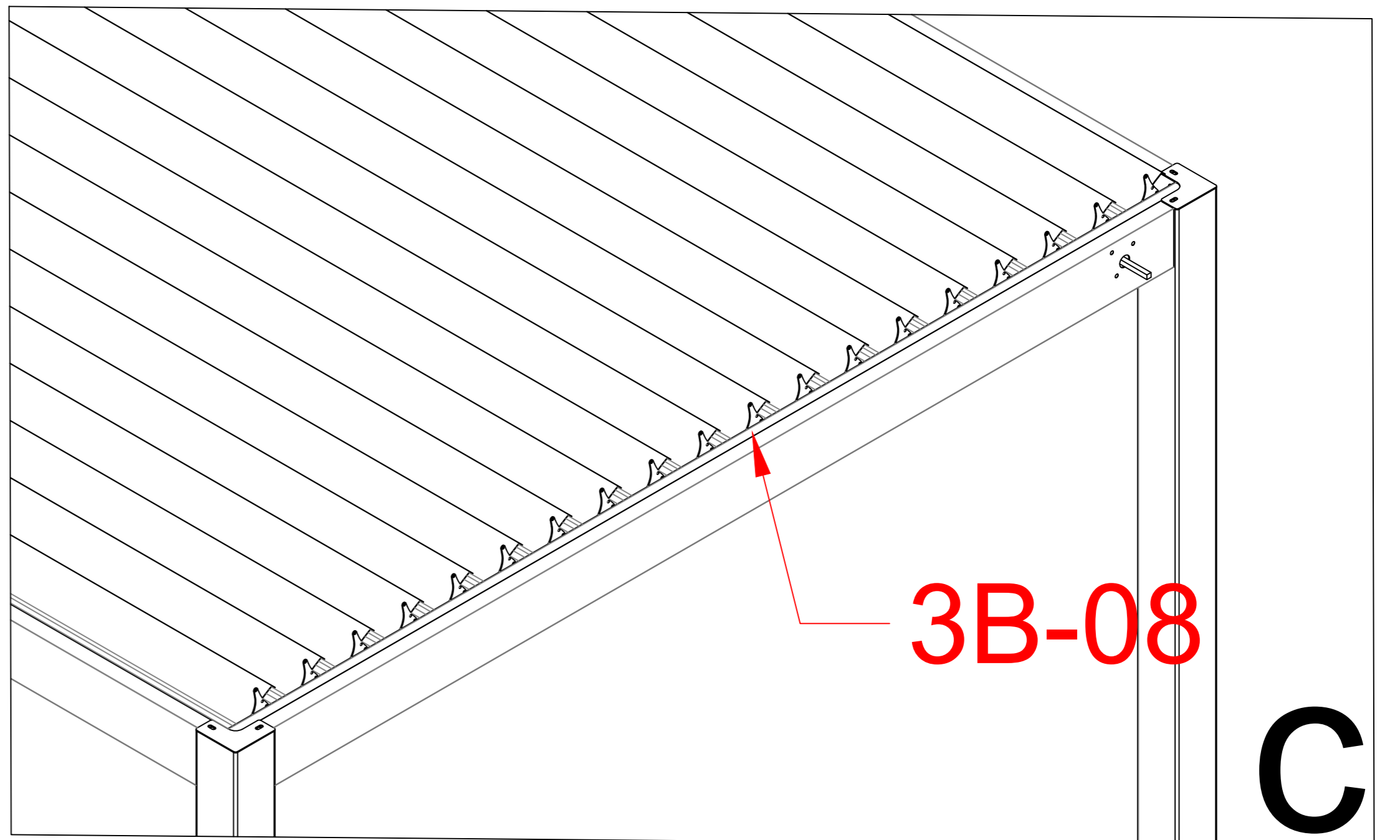
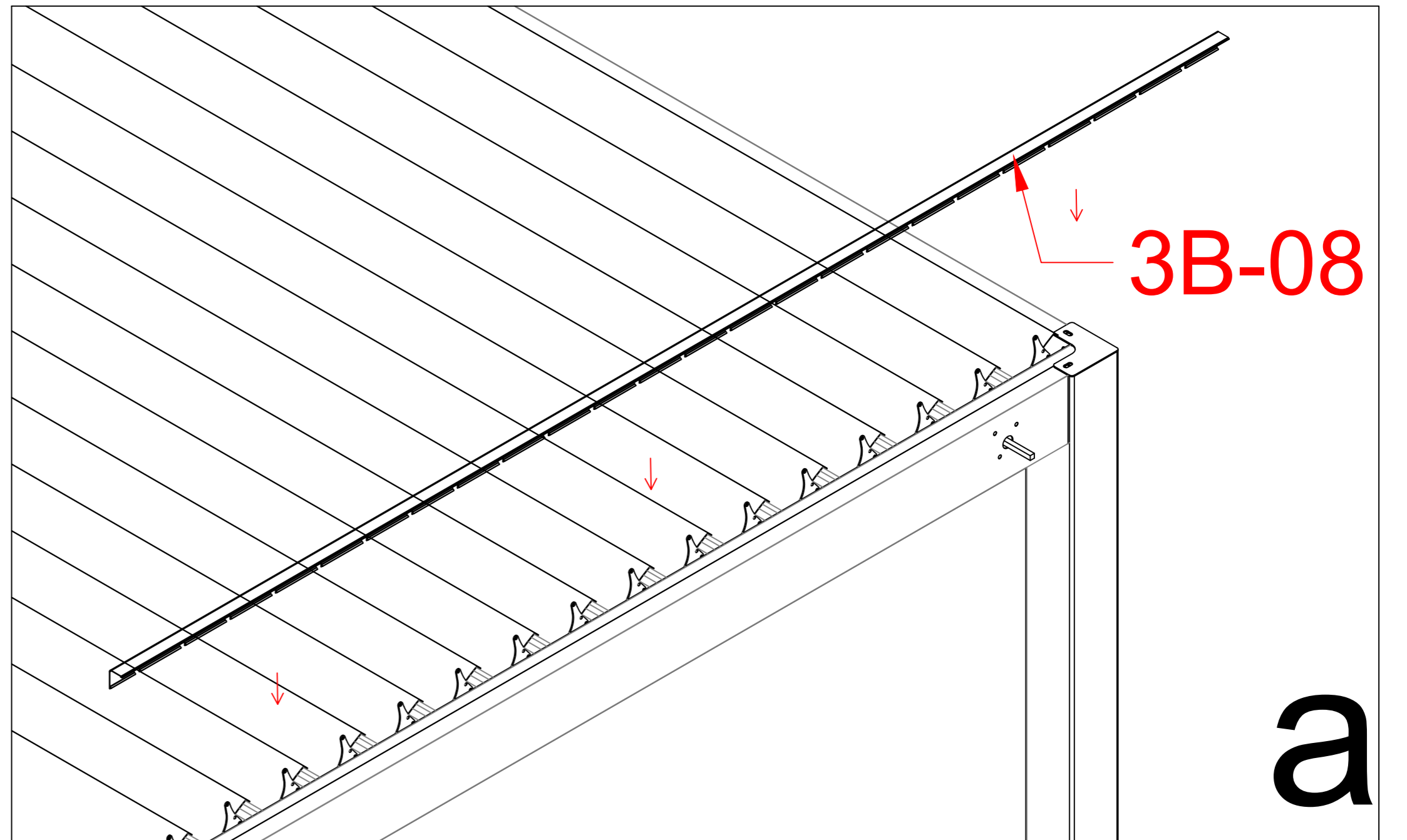
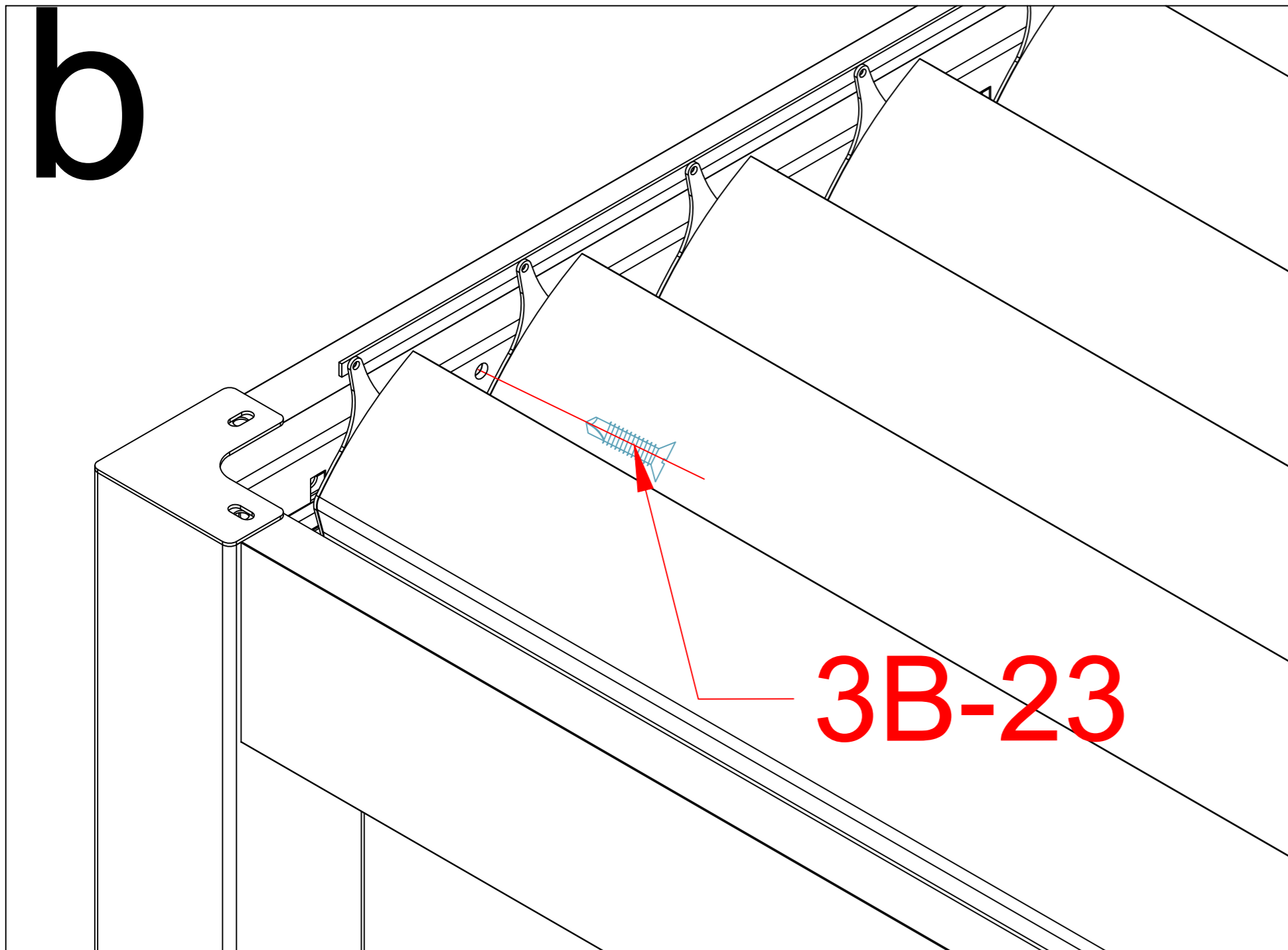


3B-20		52
3B-06		26

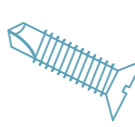
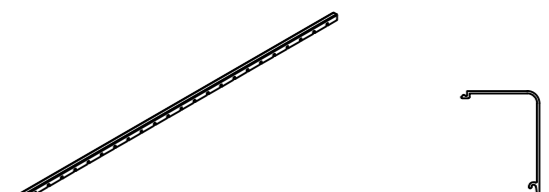


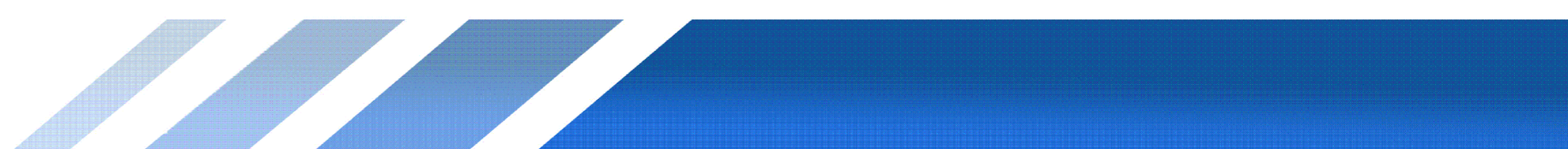


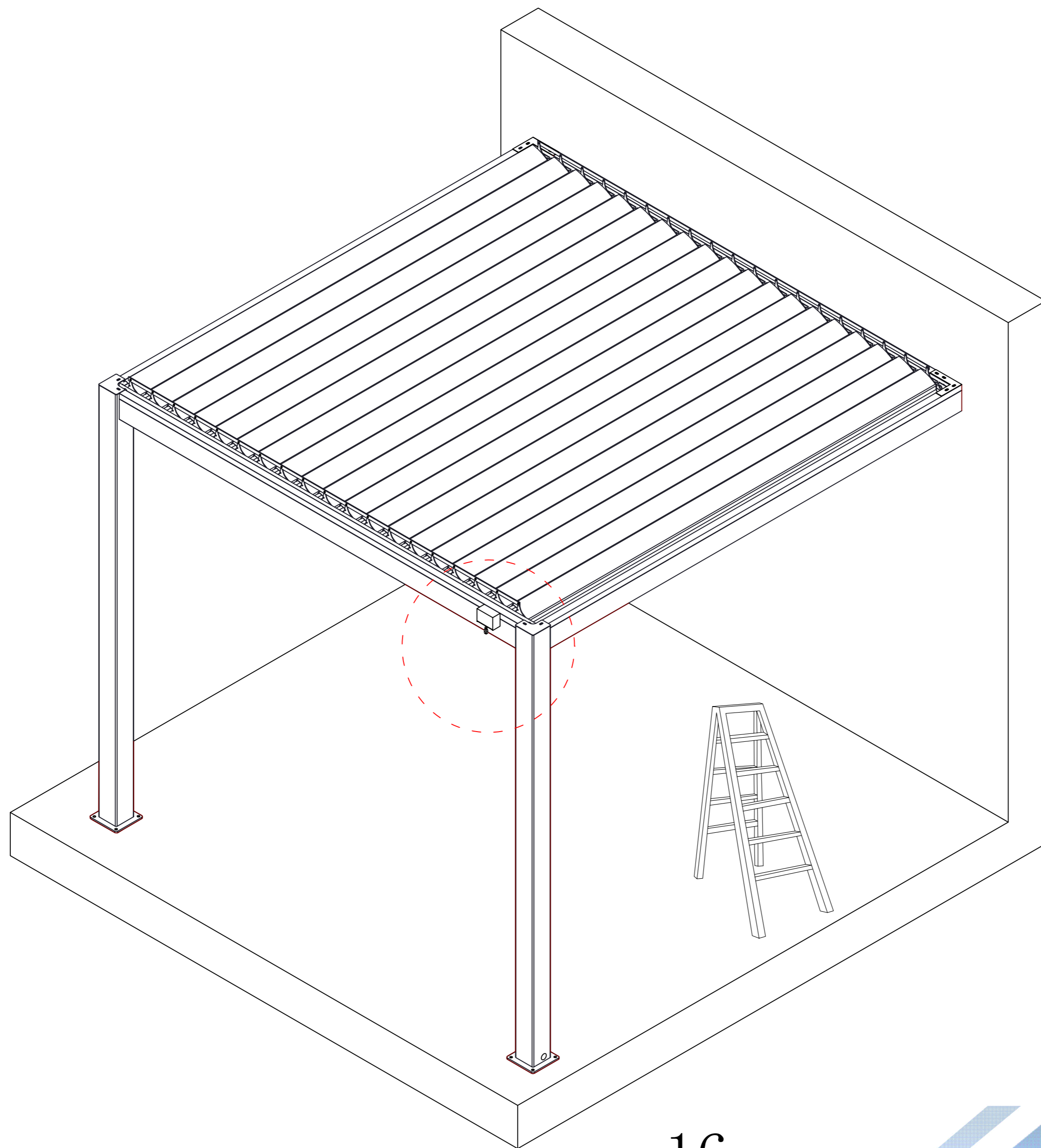
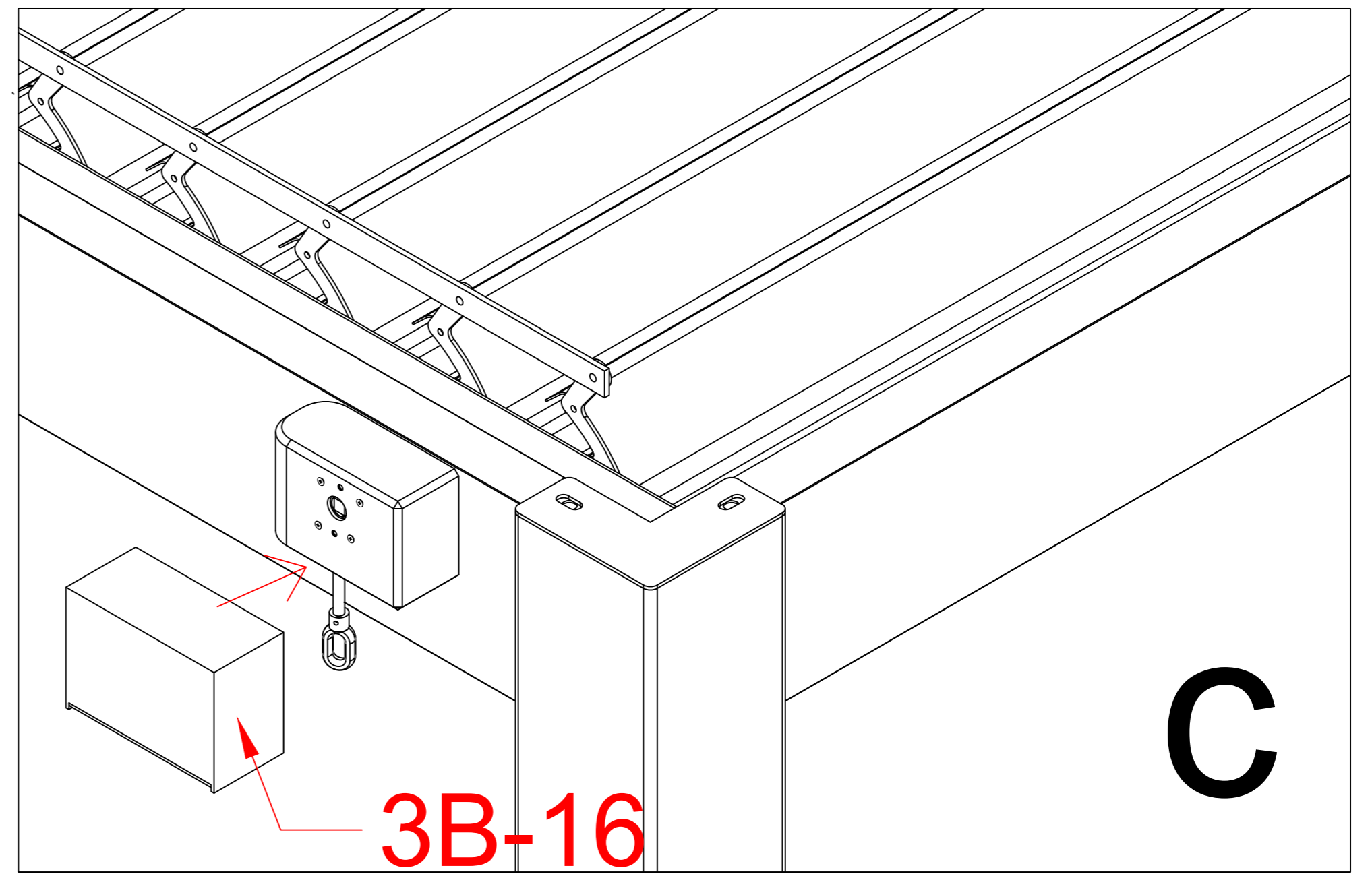
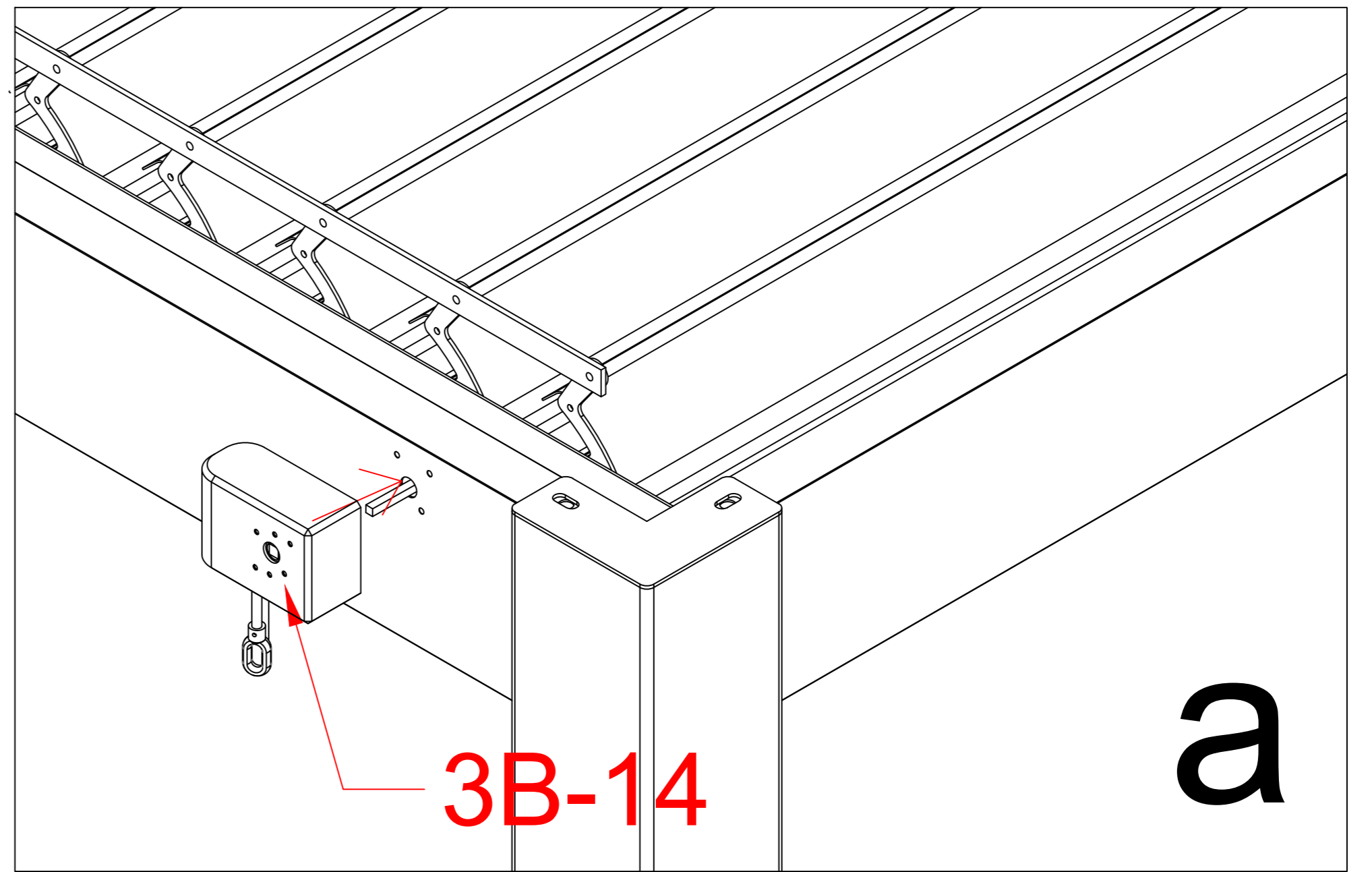
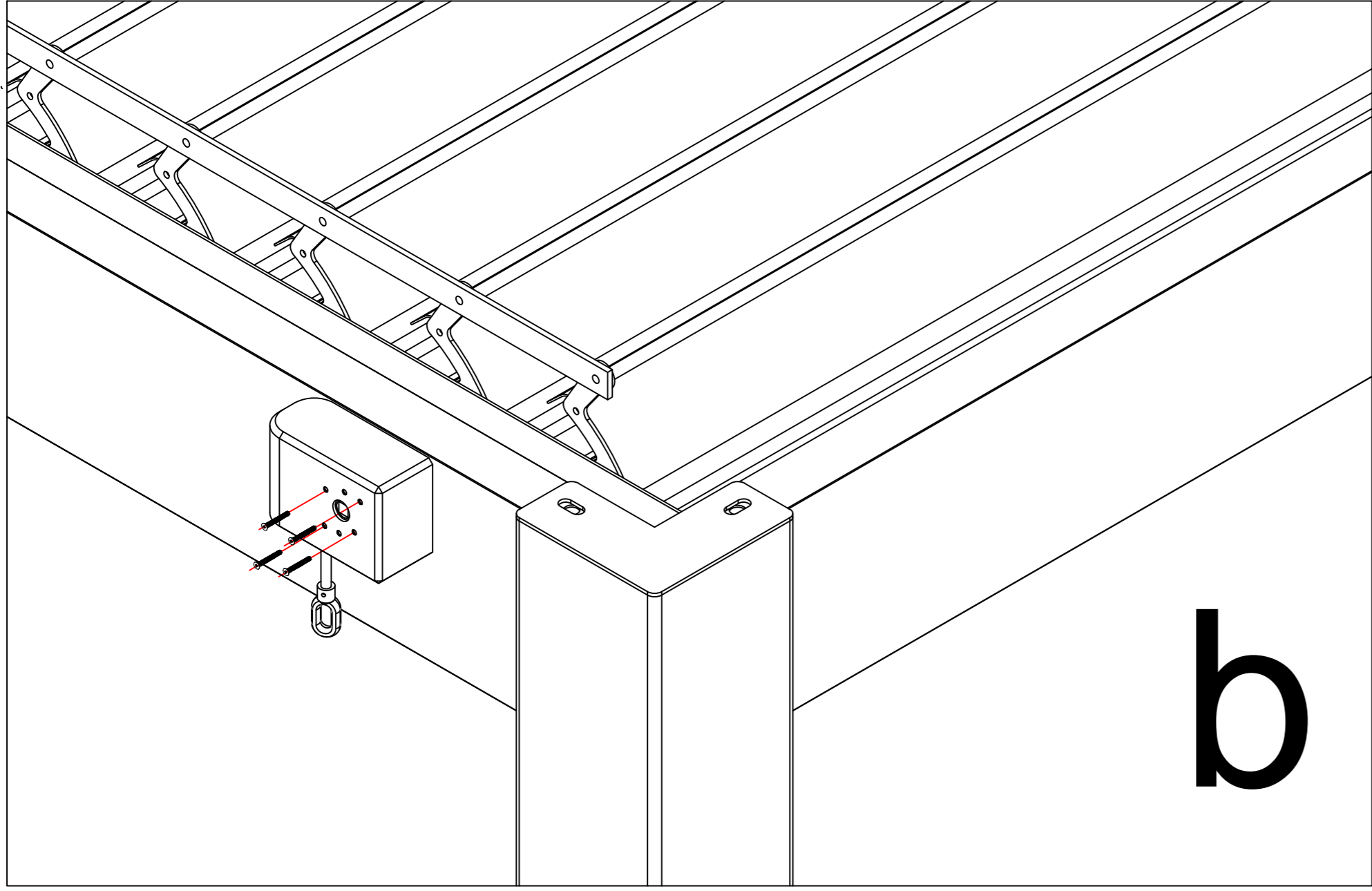
Attention: Please pay attention to differentiation during installation, as the hole positions on both sides are different

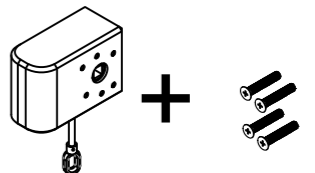
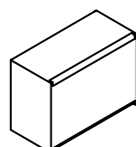


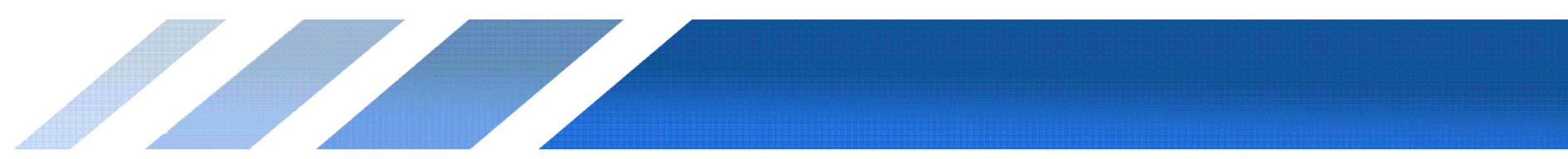
3B-23
10 screws: 5 screws / strip

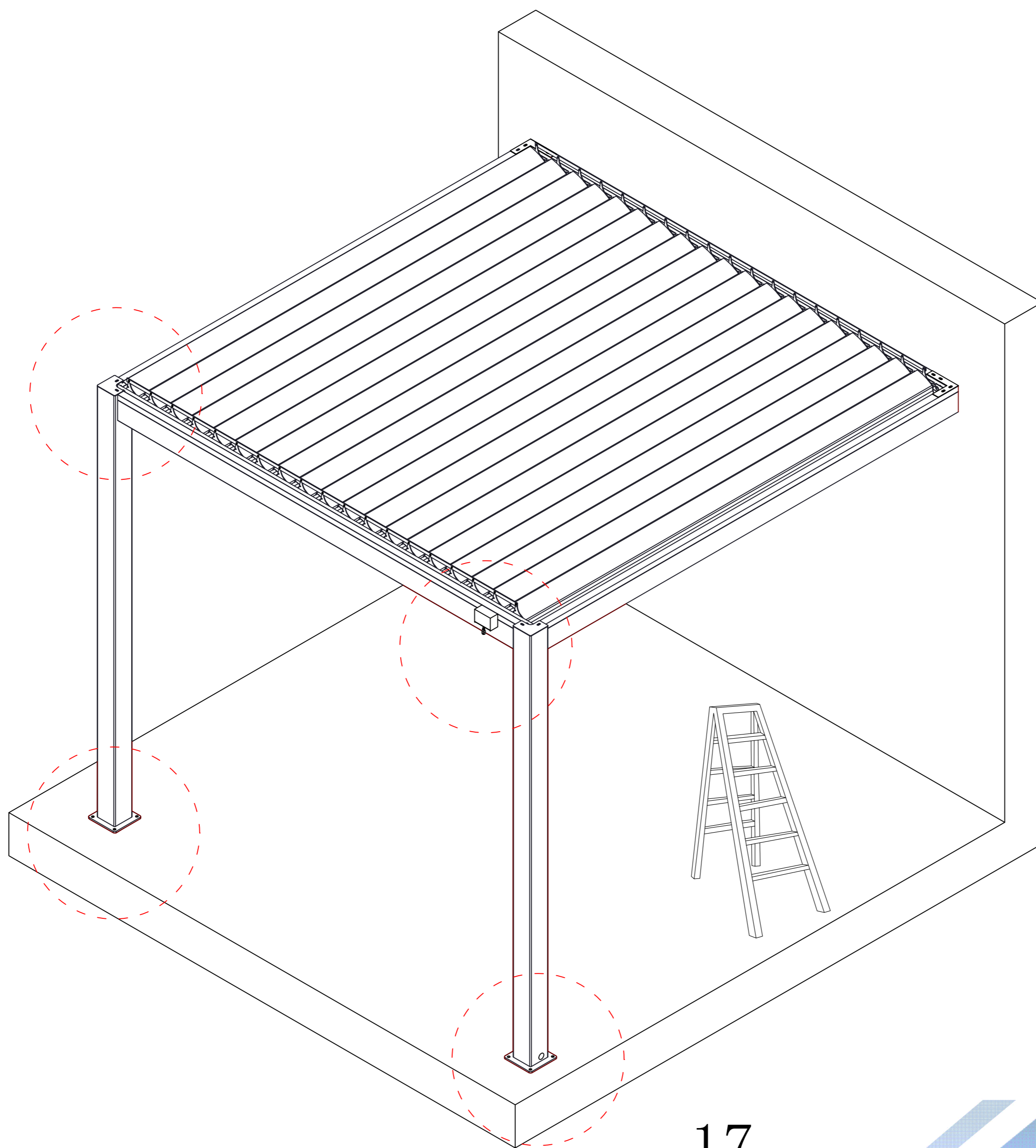
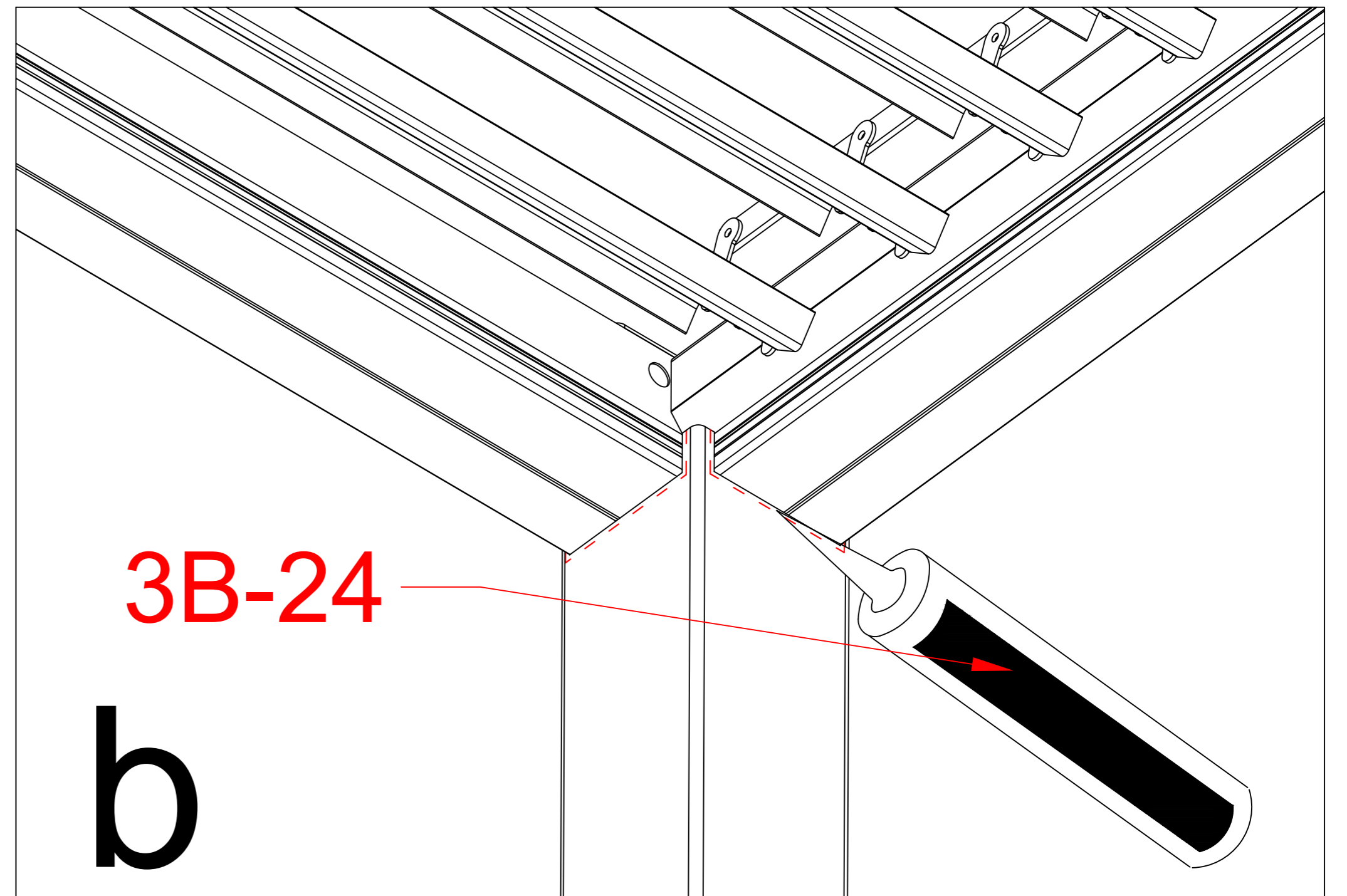
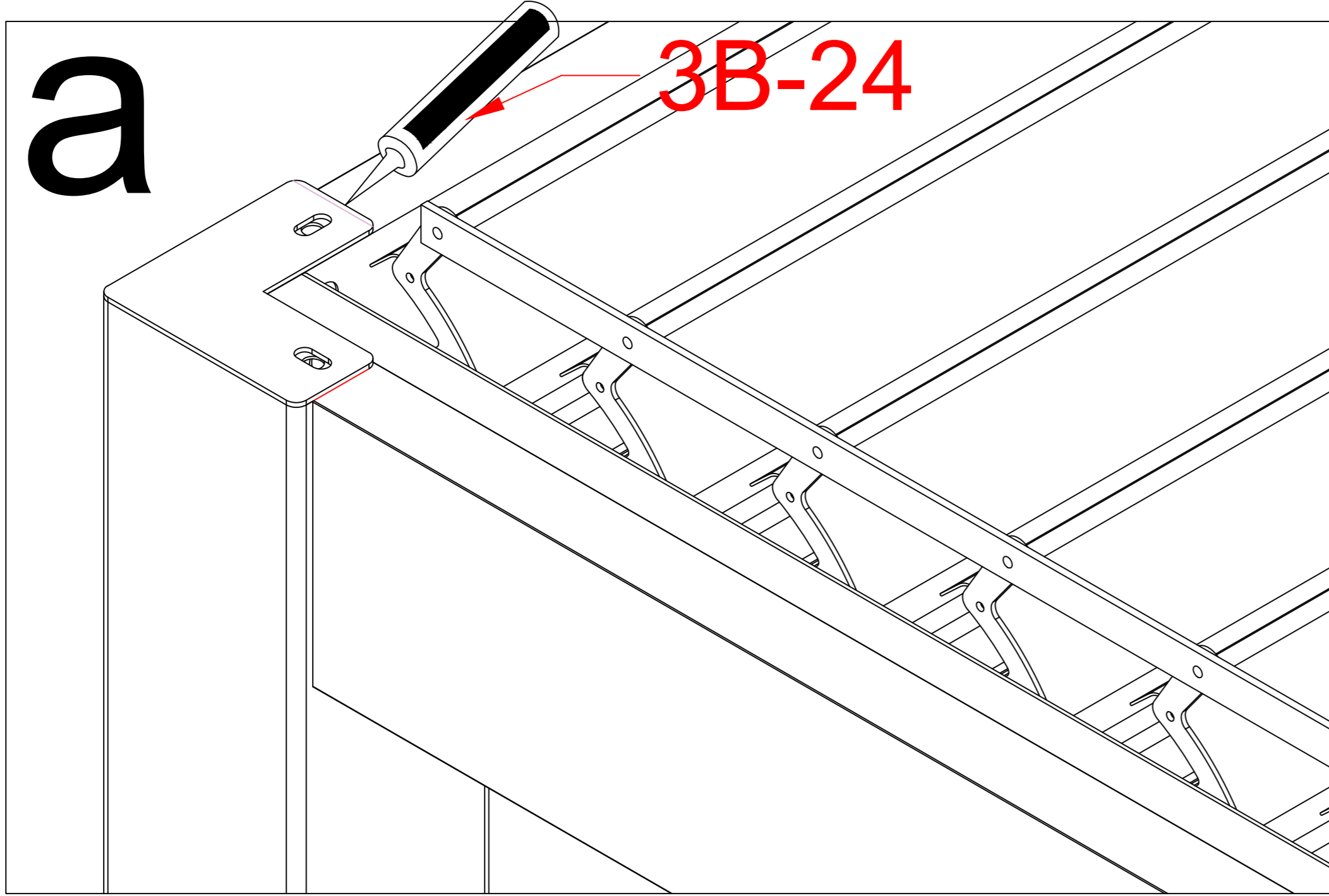
3B-23		10
3B-08		2

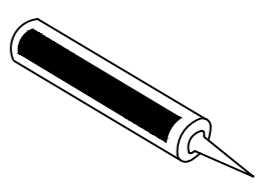


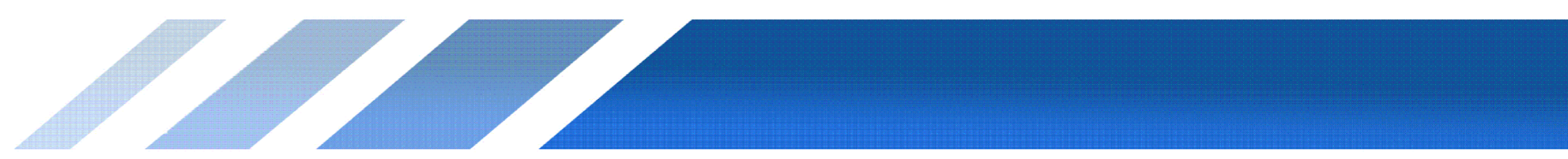


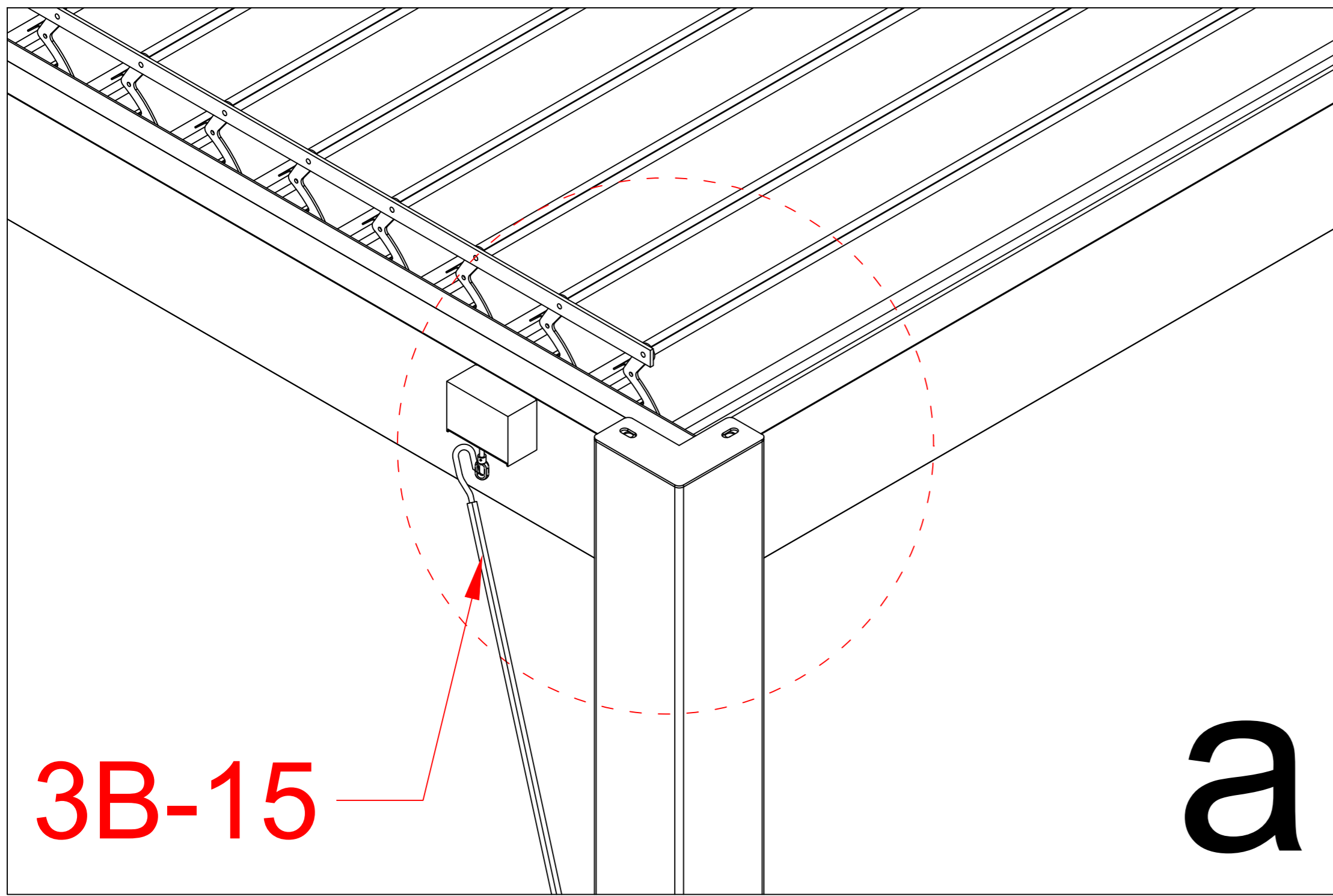
3B-14		1
3B-16		1





3B-24		1
-------	---	---

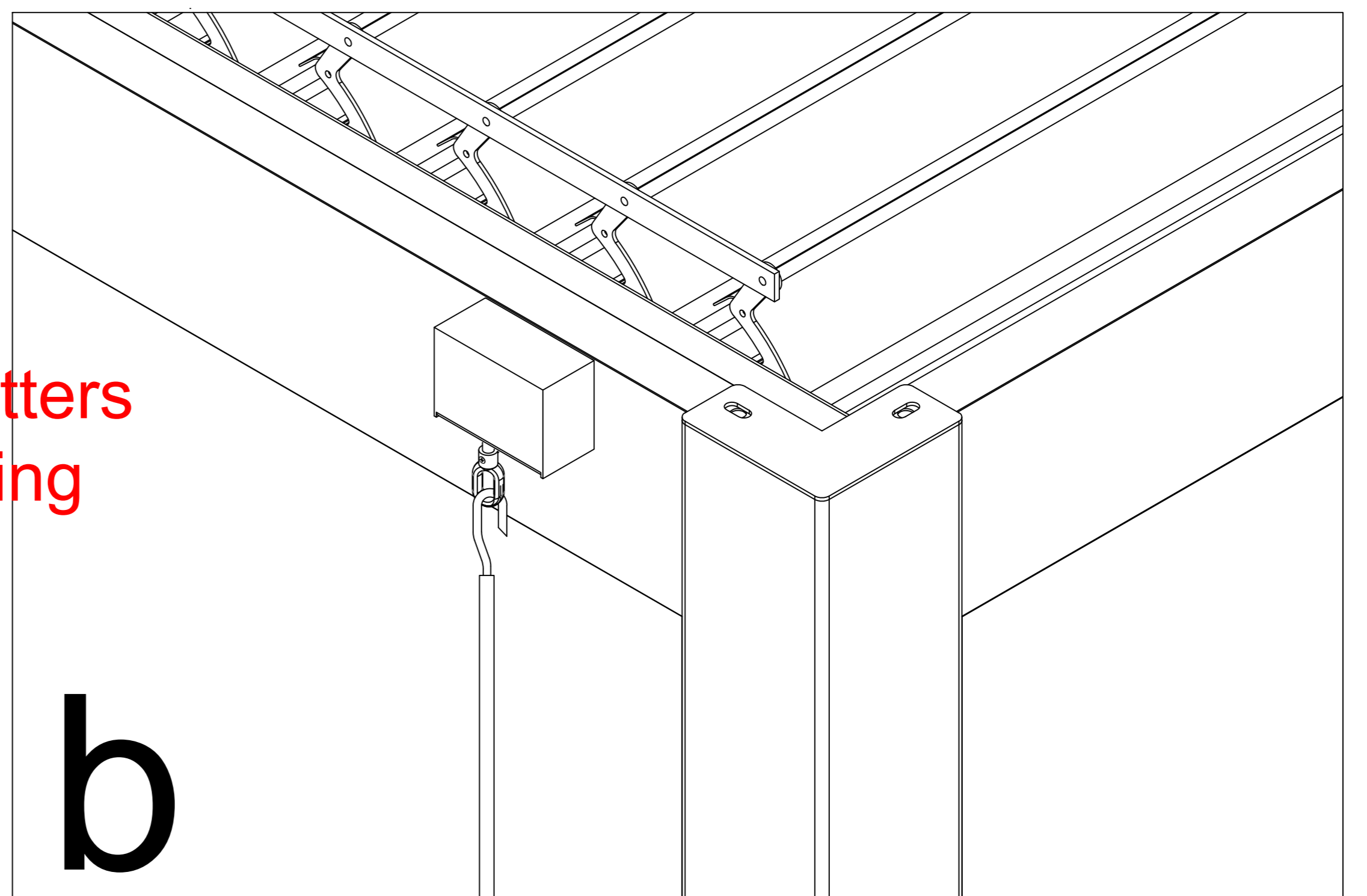




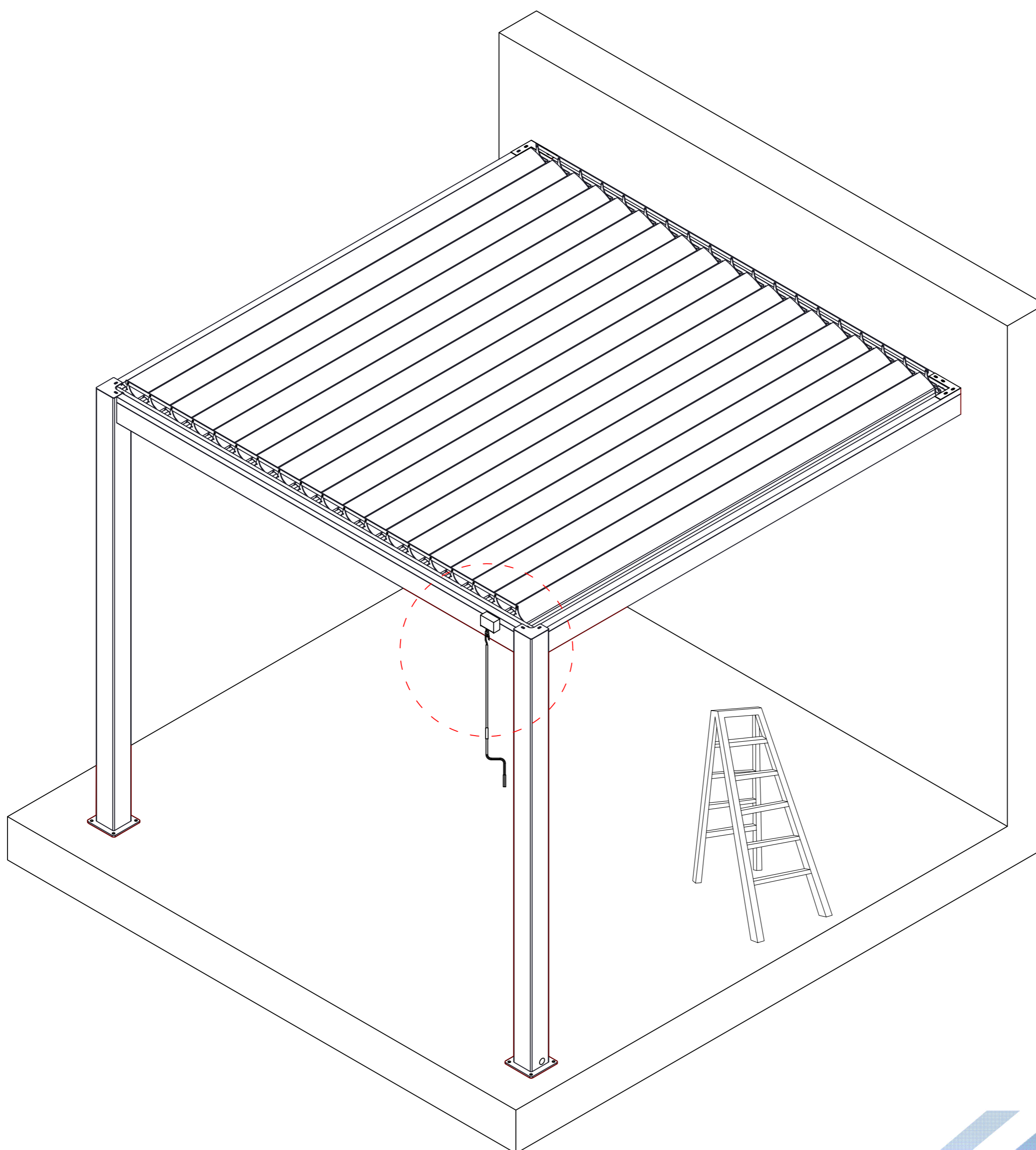
3B-15

a

Warning
In Snow / Wind season or in case of
snow / wind forecast open up your shutters
in vertical position to avoid any damaging
on your pergola.



b



3B-15		1
-------	--	---

