

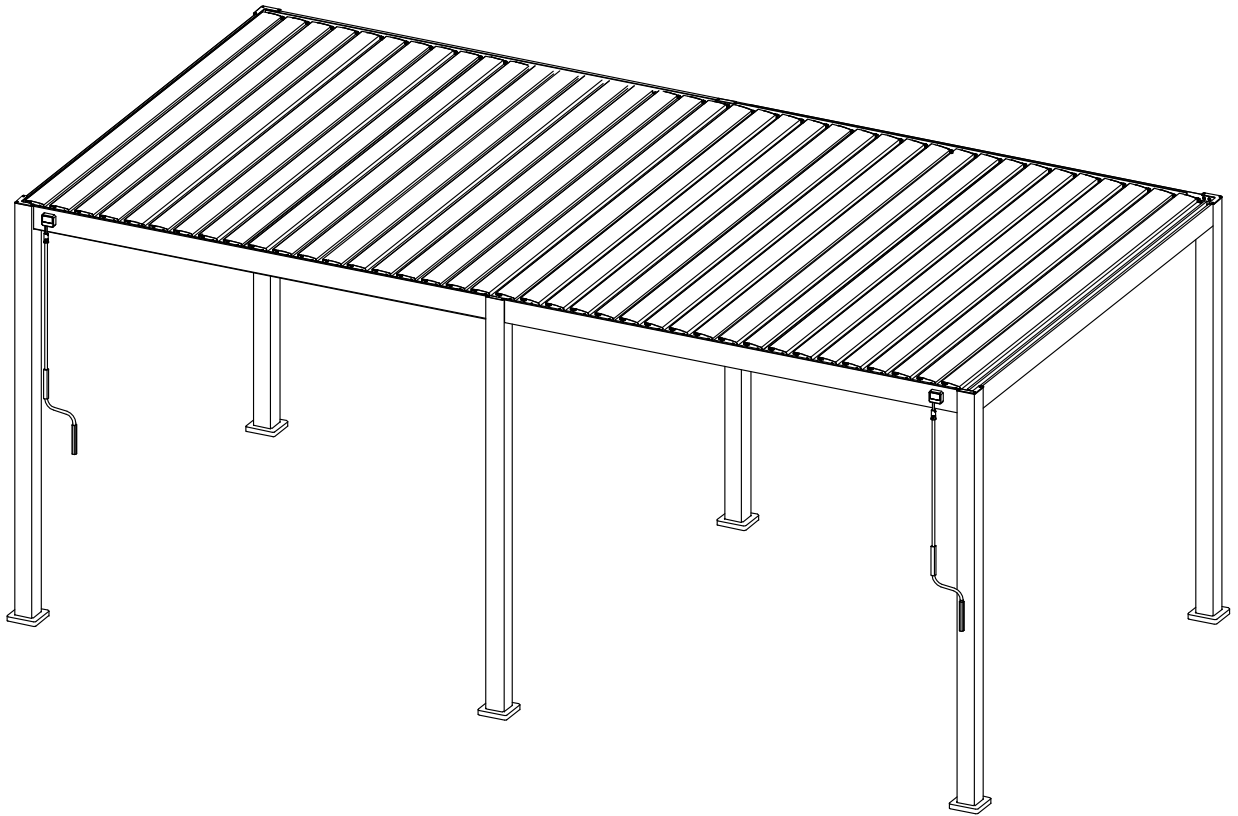


LIVING CULTURE

ALUMINIUM PER GOLA

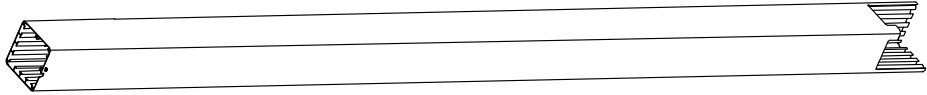

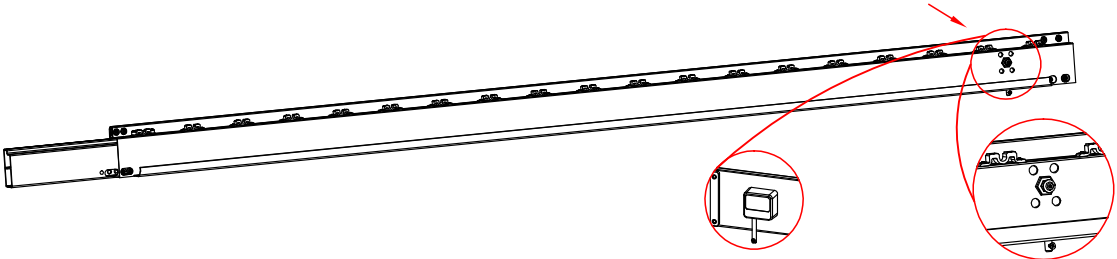
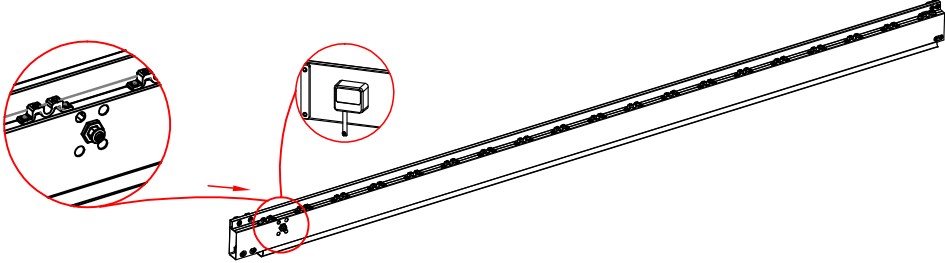
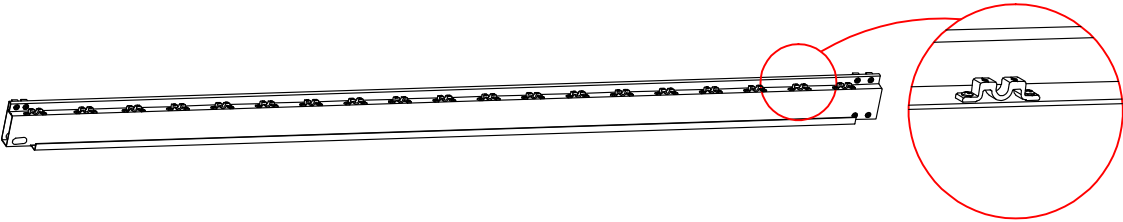
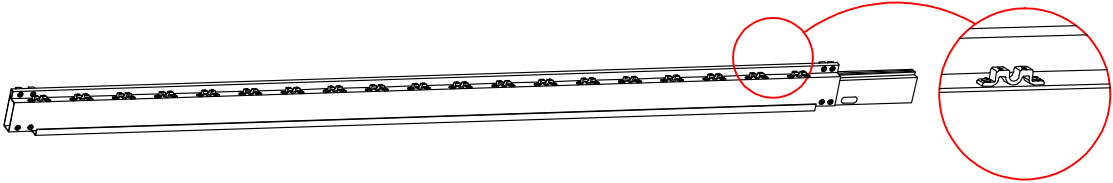
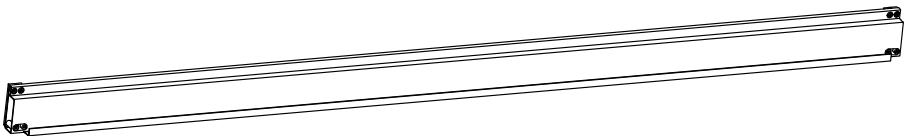
3x6m

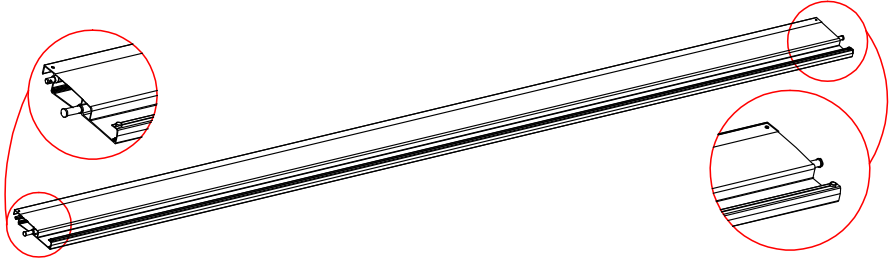
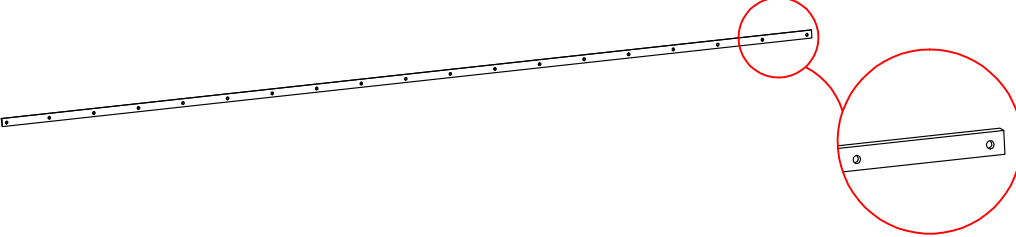

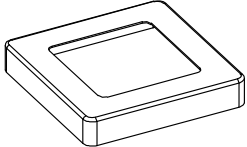
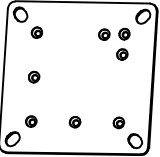
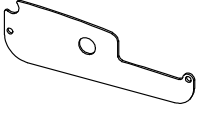
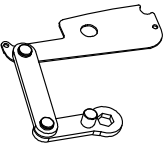
User Manual

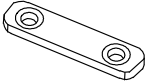


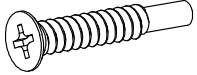
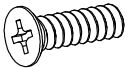


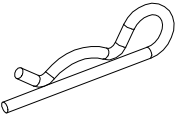


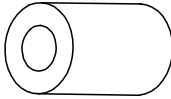
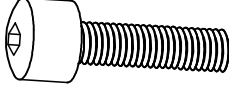
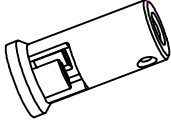
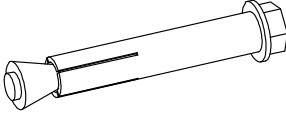

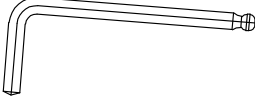
Reminder: "Ensure louvres are lined up and mounted perfectly square and perpendicular otherwise top fin alignment will be incorrect."

| | REF | QTY | REF | QTY | REF | QTY |
|---------------|----------------|--------|------|--------|------|-------|
| Carton 1/5 | (A) | 4PCS | (A1) | 2PCS | | |
| Carton 2/5 | (B) | 1PC | (B1) | 1PC | (B2) | 1PC |
| | (B3) | 1PC | (C) | 2PCS | (G) | 2PCS |
| | (H) | 2PCS | (I) | 6PCS | (J) | 6PCS |
| | (K) | 77PCS | (L) | 2PCS | (M) | 79PCS |
| | (N) | 4PCS | (N1) | 2PCS | (O) | 36PCS |
| | (P) | 158PCS | (Q) | 158PCS | (R) | 16PCS |
| | (S) | 44PCS | | | (T1) | 4PCS |
| | | | (U1) | 4PCS | (V) | 2PCS |
| | (W) | 24PCS | (X) | 1PC | (Y) | 2PCS |
| | User Manual | 1SET | | | | |
| Carton 3/5 | (D) | 13PCS | | | | |
| Carton 4/5 | (D) | 13PCS | | | | |
| Carton 5/5 | (D) | 12PCS | | | | |

| REF | PICTURE | QTY |
|-----|--|------|
| A |  | 4PCS |
| A1 |  | 2PCS |
| B |  | 1PC |
| B1 |  | 1PC |
| B2 |  | 1PC |
| B3 |  | 1PC |
| C |  | 2PCS |

| REF | PICTURE | QTY |
|-----|---|-------|
| D |  | 38PCS |
| G |  | 2PCS |
| H |  | 2PCS |
| I |  | 6PCS |
| J |  | 6PCS |
| K |  | 77PCS |
| L |  | 2PCS |

| REF | PICTURE | QTY |
|-----|---|--------|
| M |  | 79PCS |
| N |  | 4PCS |
| N1 |  | 2PCS |
| O |  | 36PCS |
| P |  M5x12mm | 158PCS |
| Q |  4.2x25mm | 158PCS |
| R |  5.5x19mm | 16PCS |
| S |  | 44PCS |

| REF | PICTURE | QTY |
|-----|--|-------|
| T1 |  | 4PCS |
| U1 |  M8x45mm | 4PCS |
| V |  | 2PCS |
| W |  | 24PCS |
| X |  | 1PC |
| Y |  | 2PCS |
| | | |
| | | |

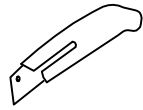
Warning

In snow season or in case of snow forecast open up your shutters in vertical position to avoid any damaging on your pergola.

What you need?



Glove



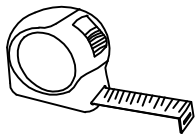
Knife



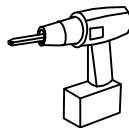
Hammer



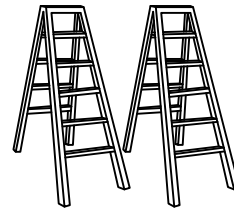
Safety hat



Tapeline

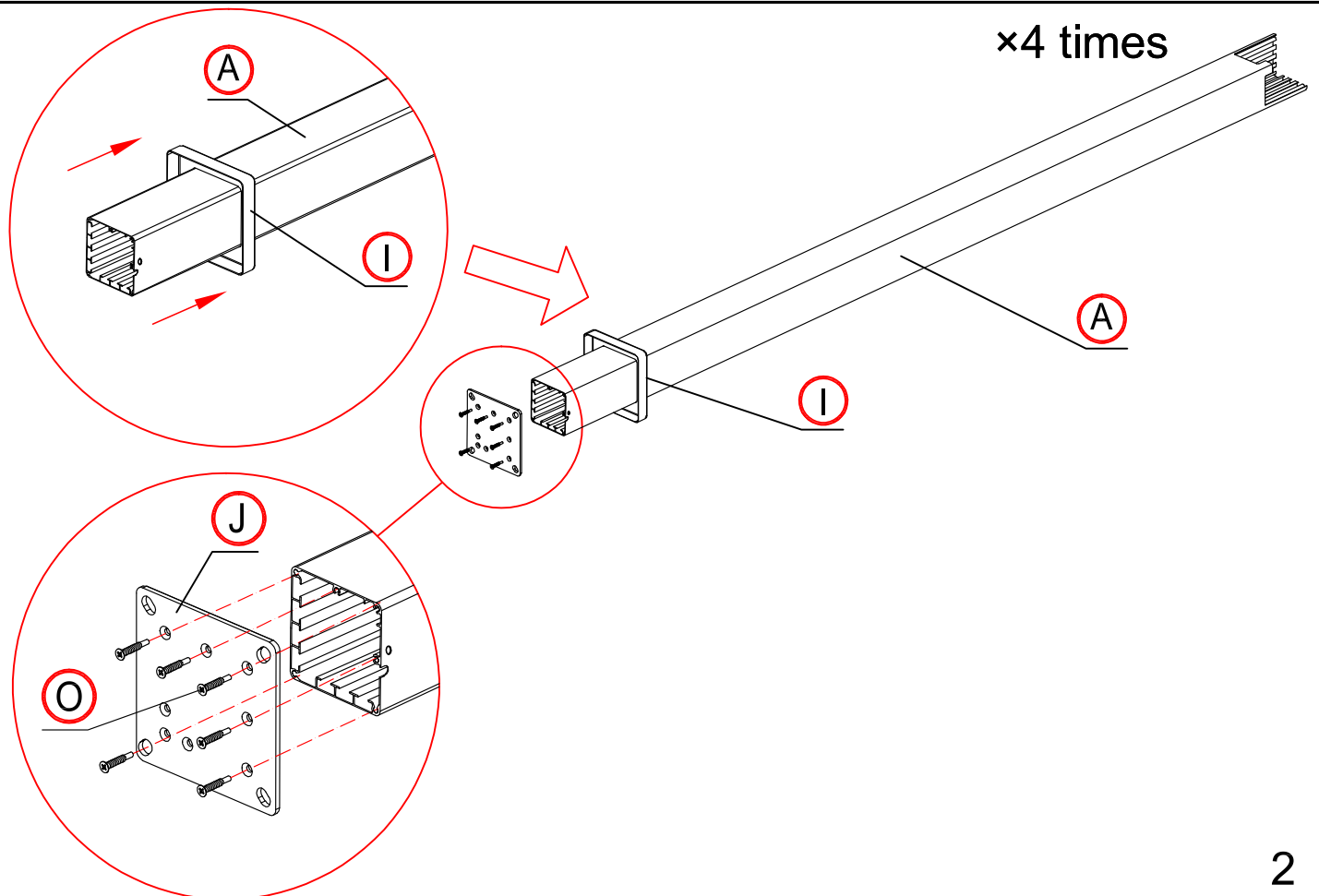


Electric screw driver

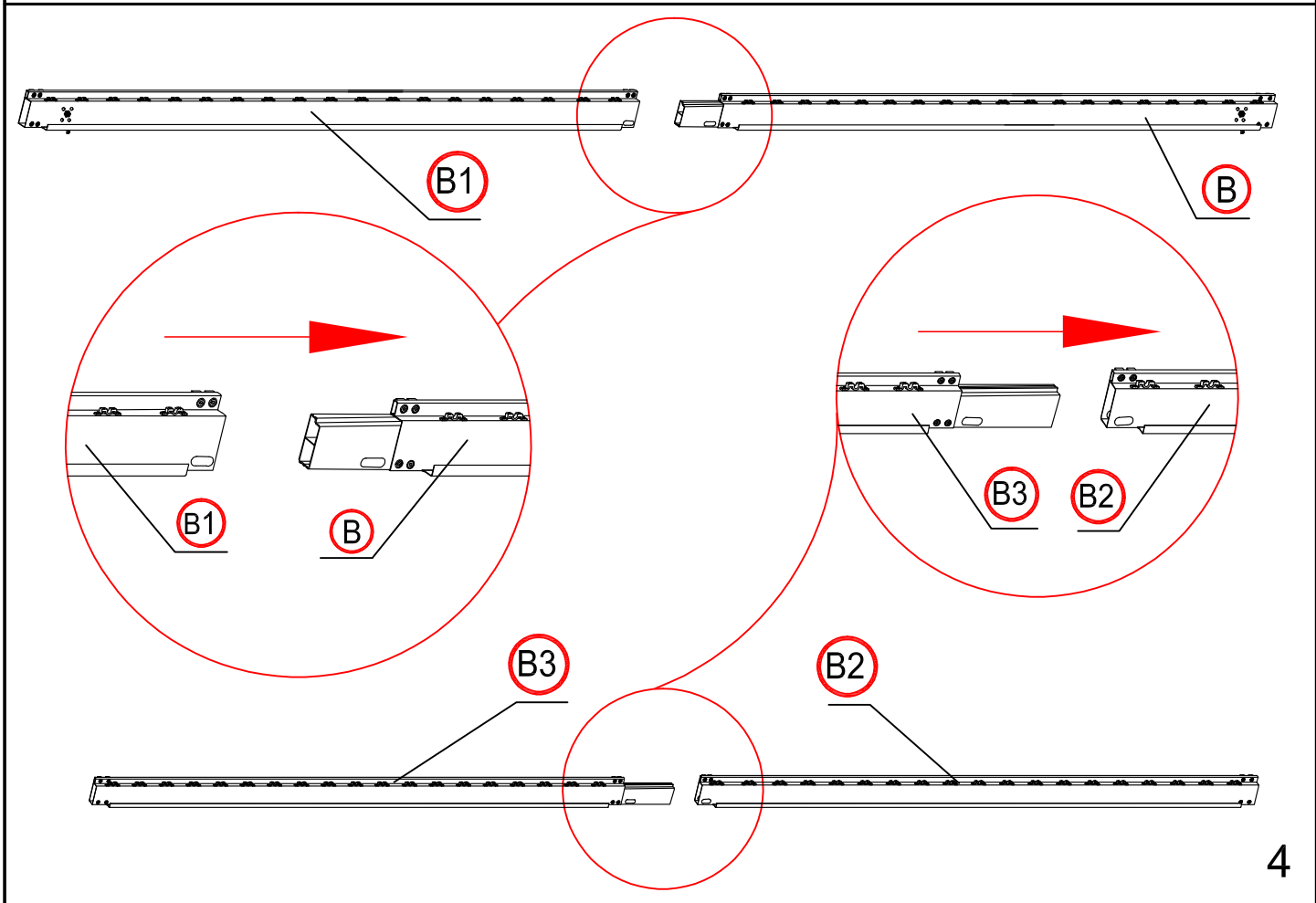
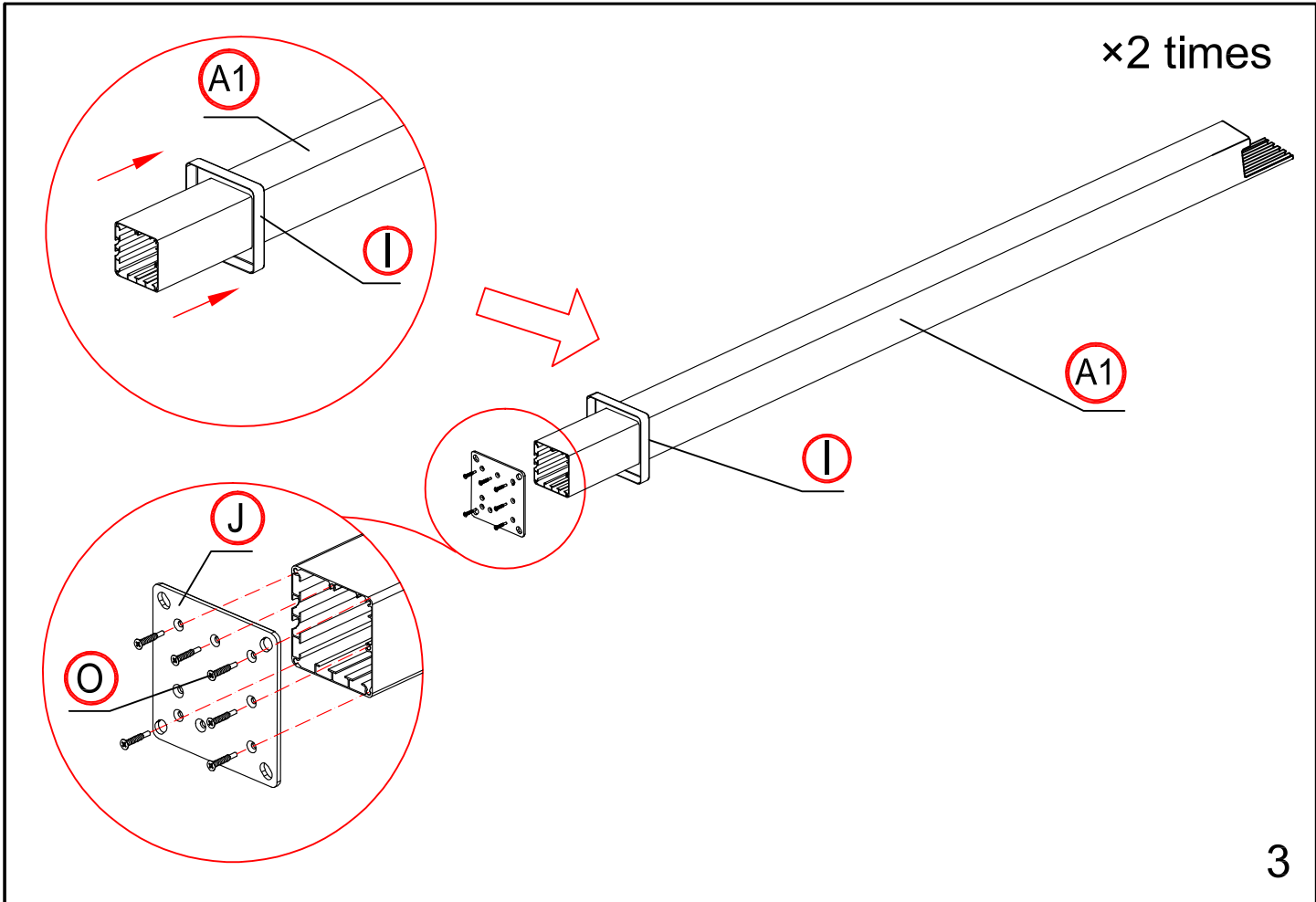


Ladder

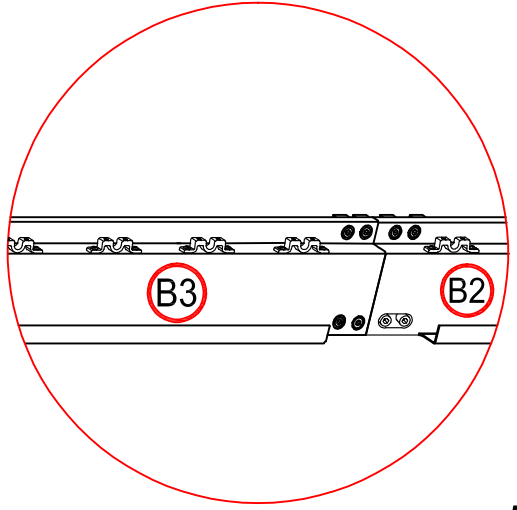
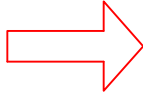
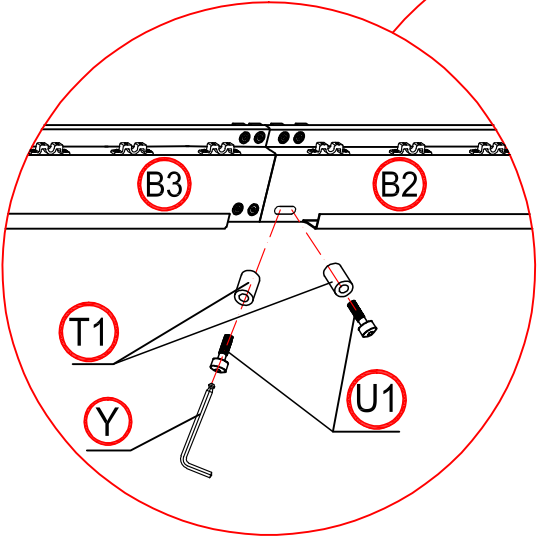
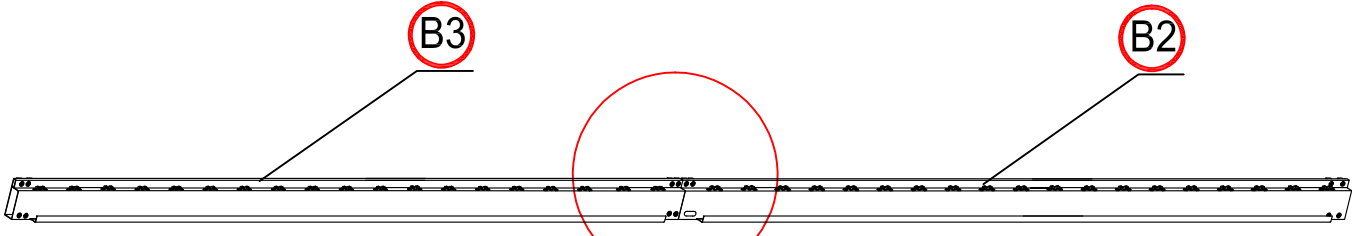
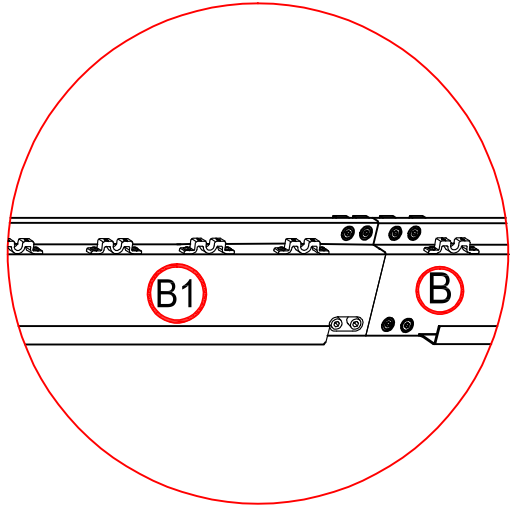
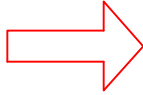
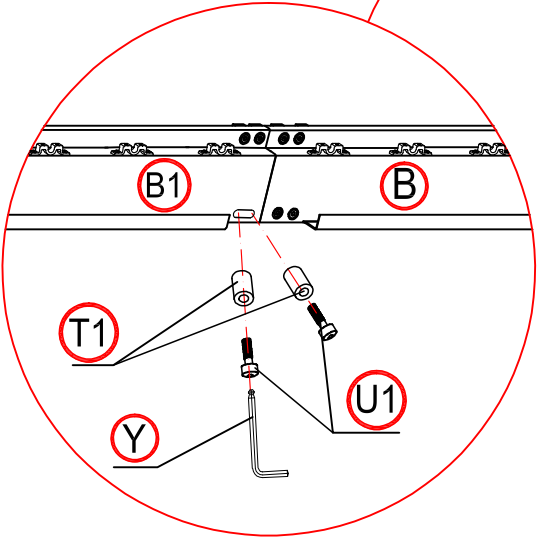
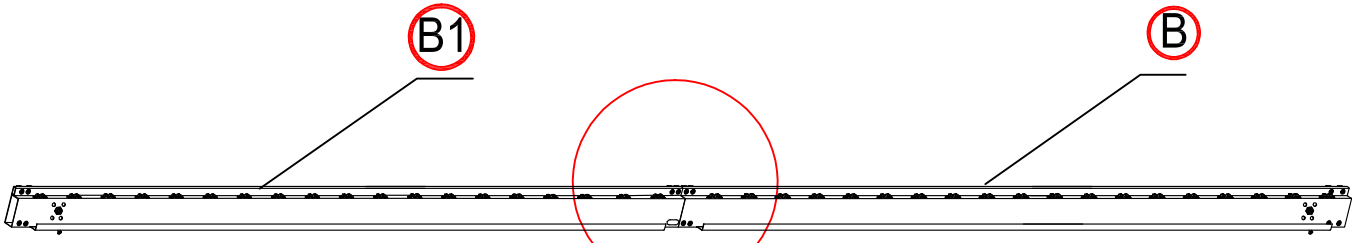
1

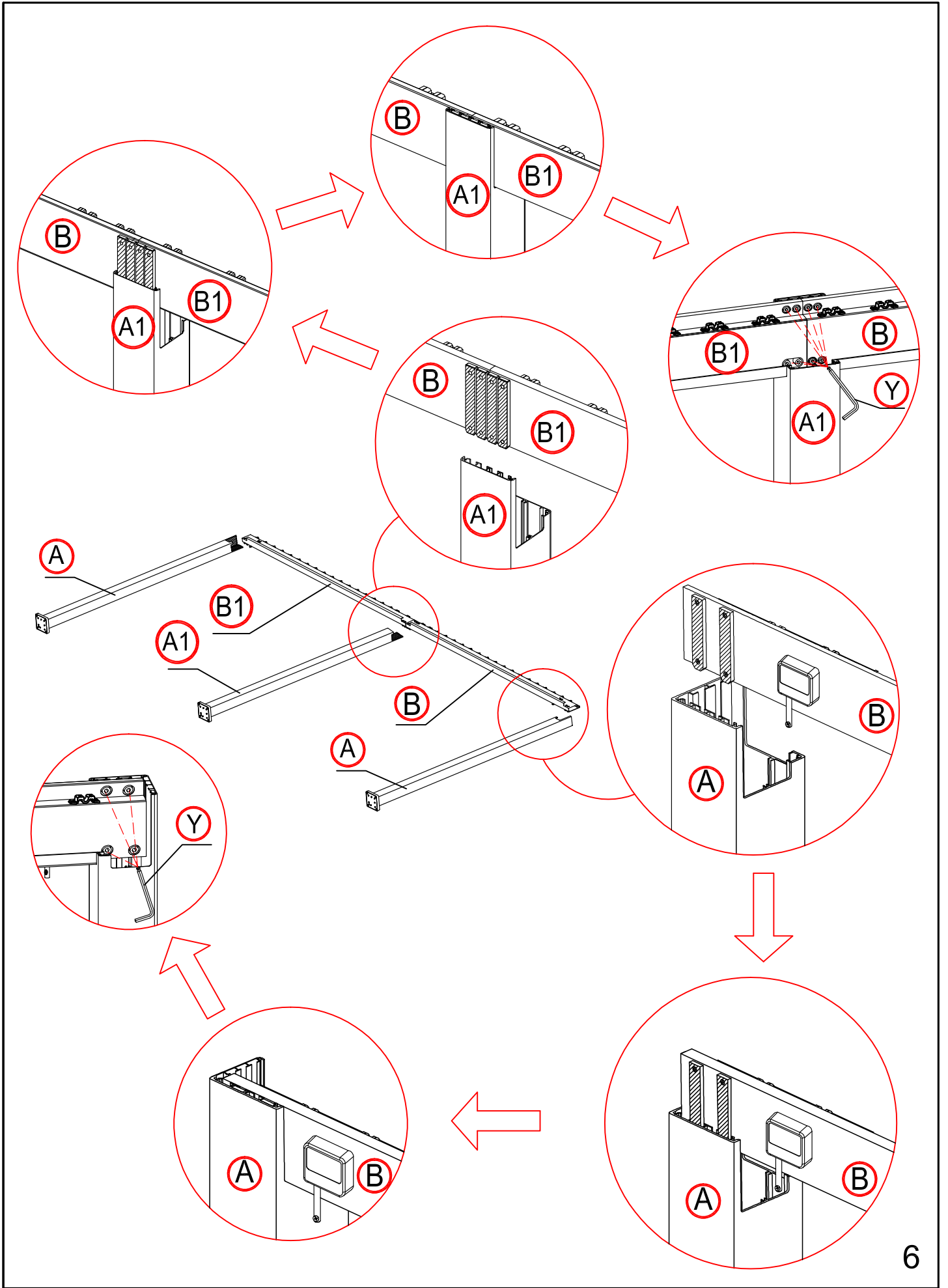


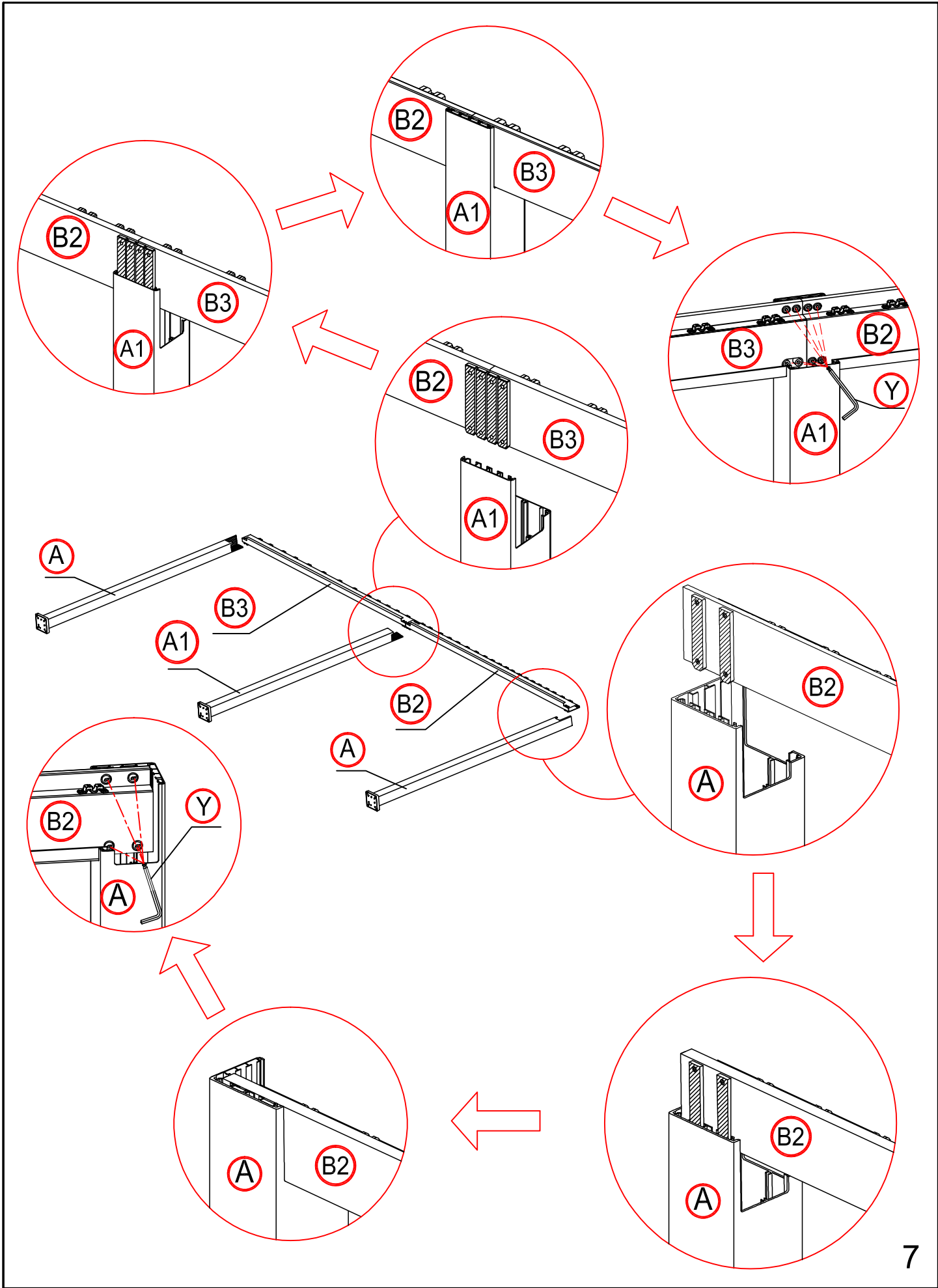
2

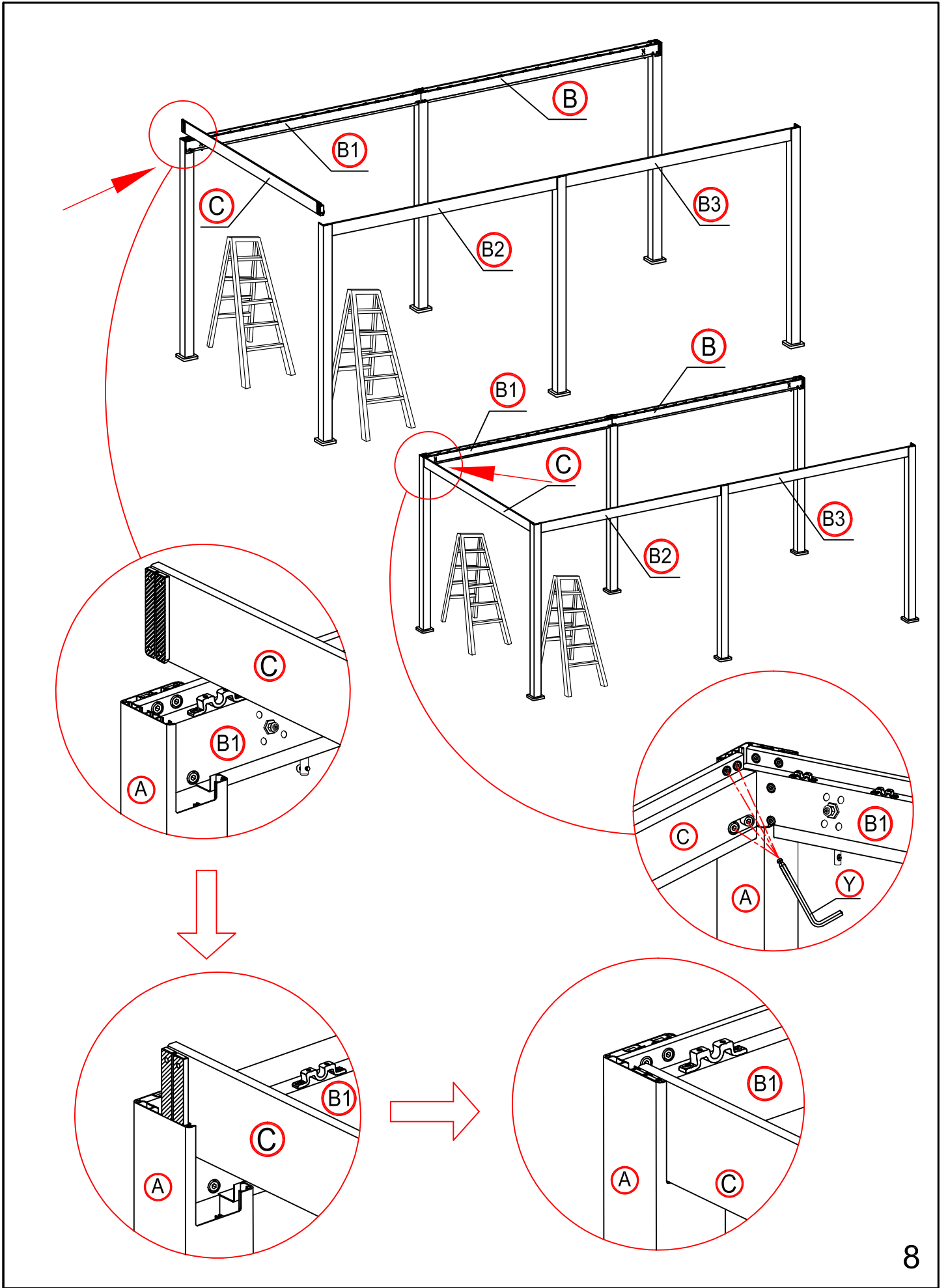


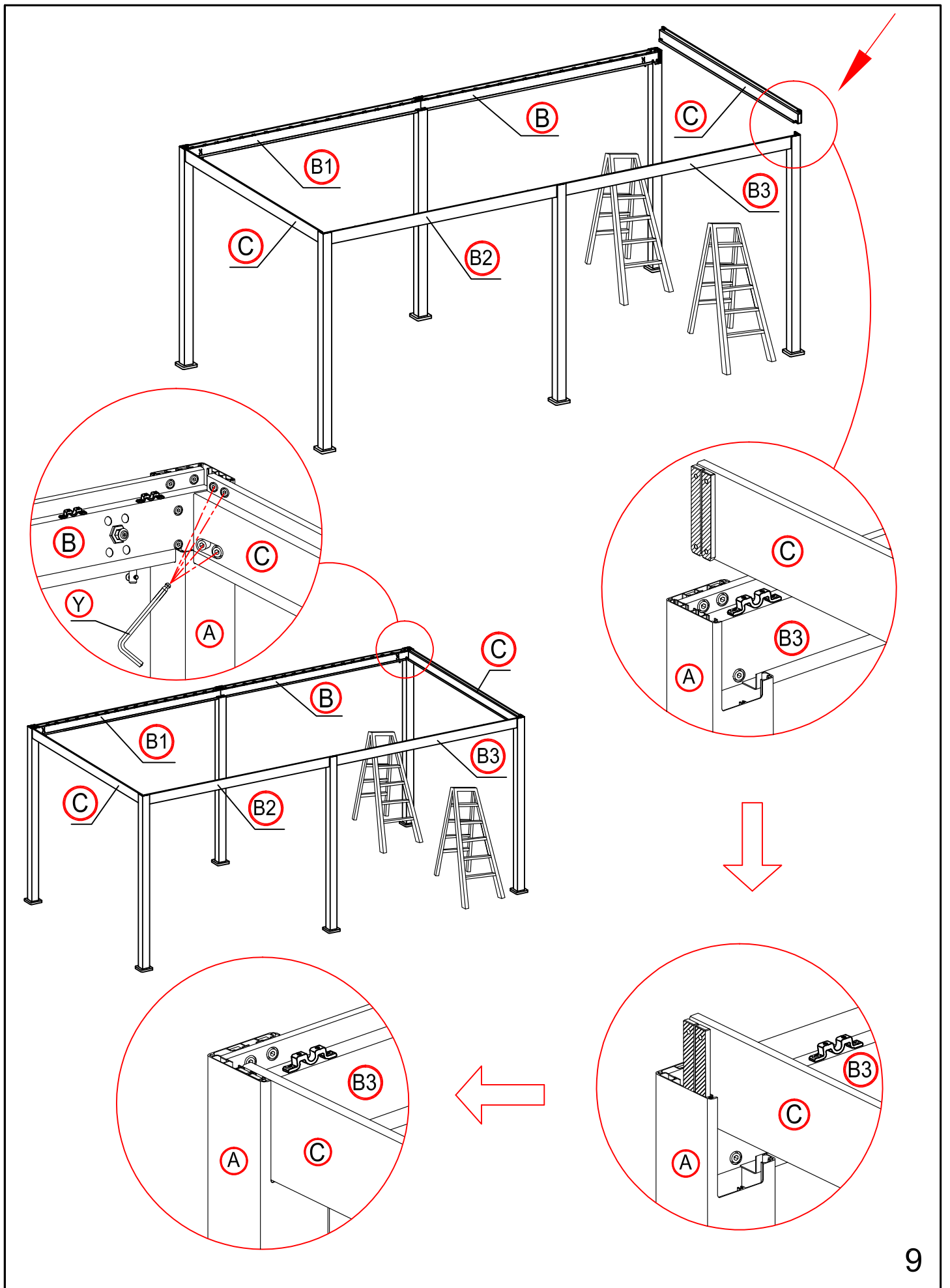
5

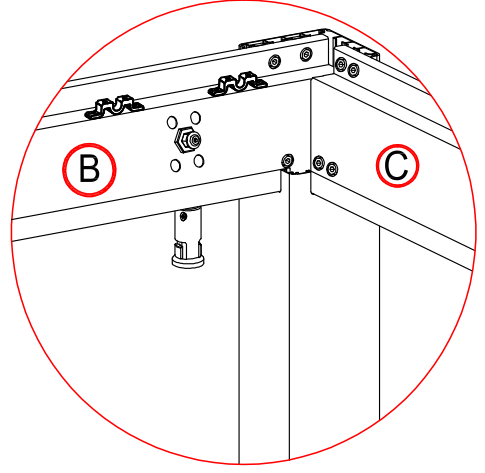
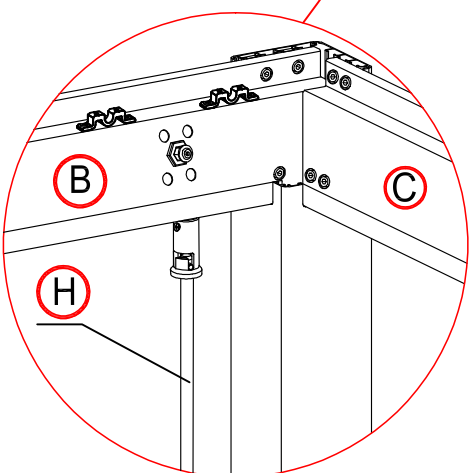
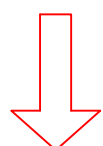
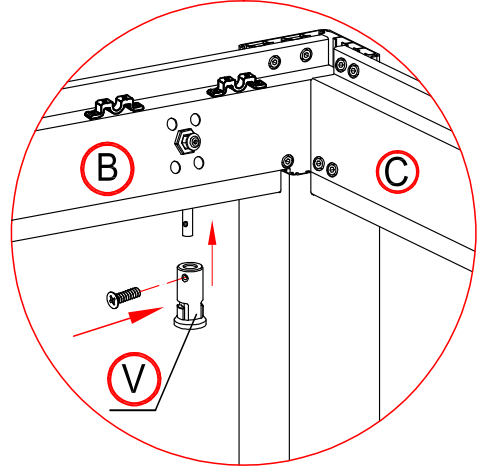
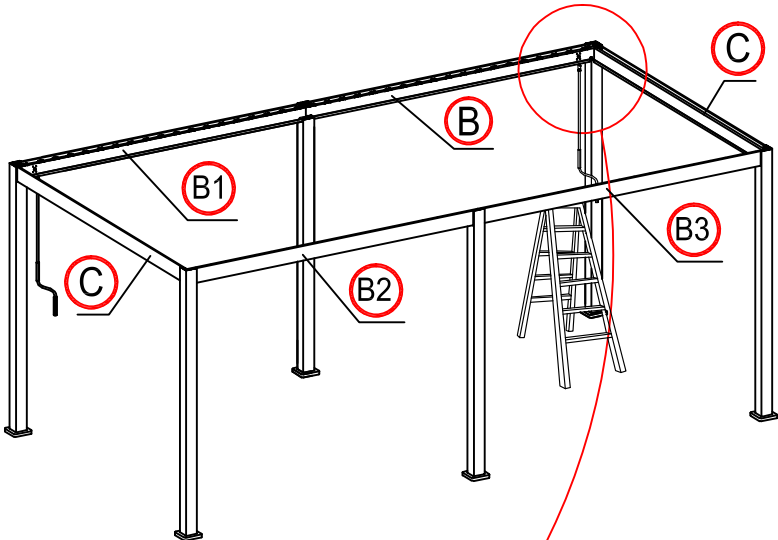
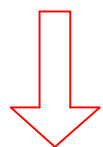
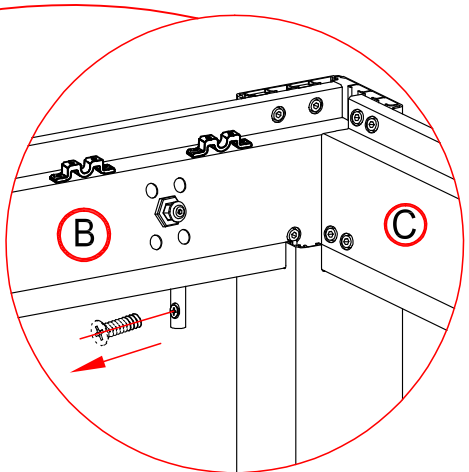
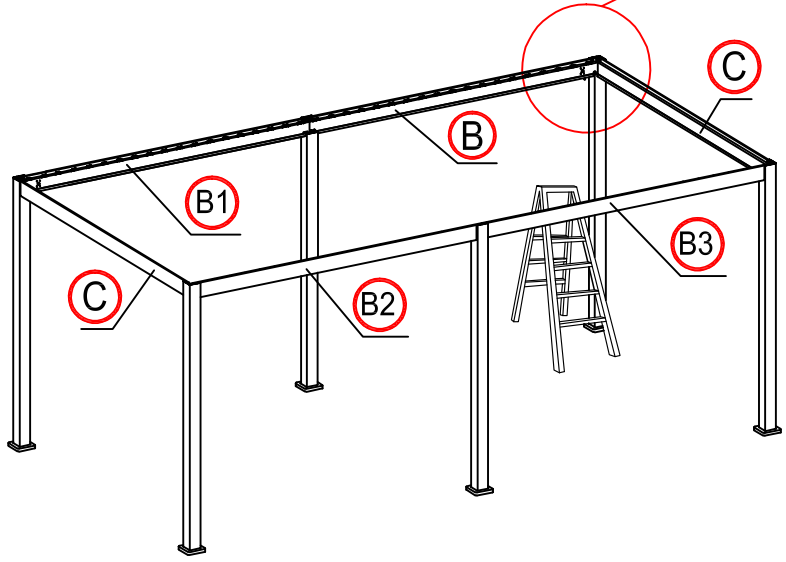




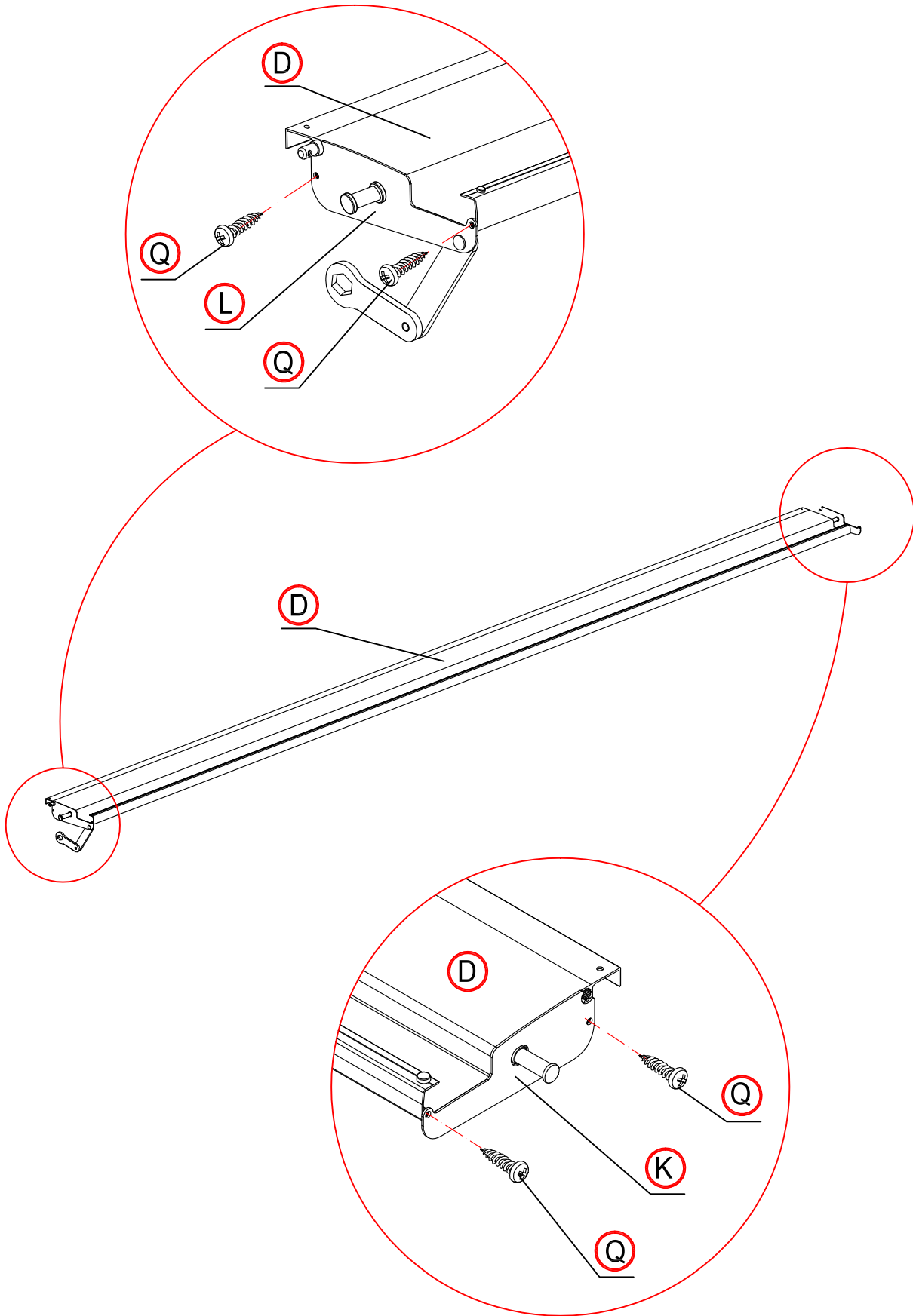




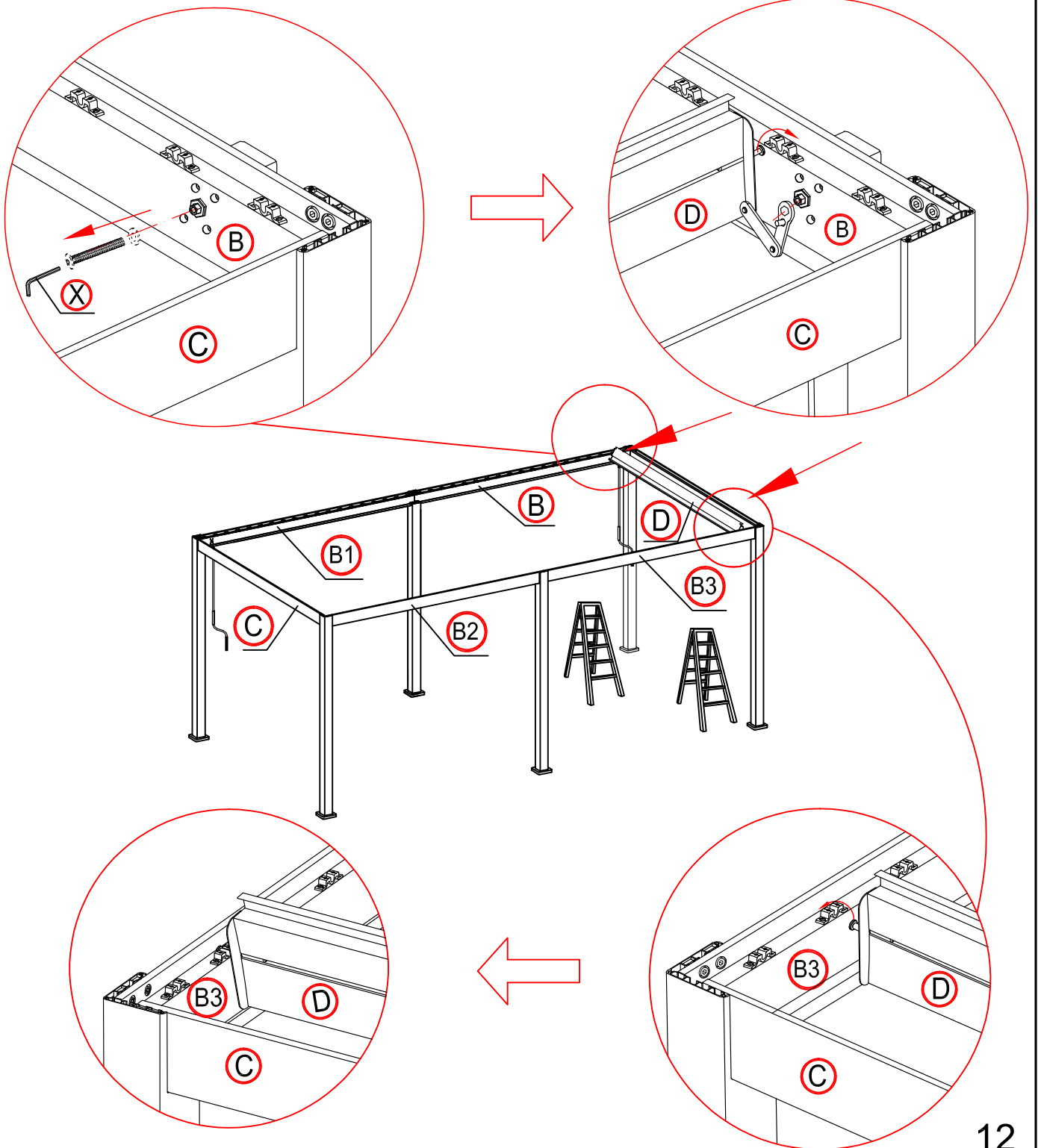


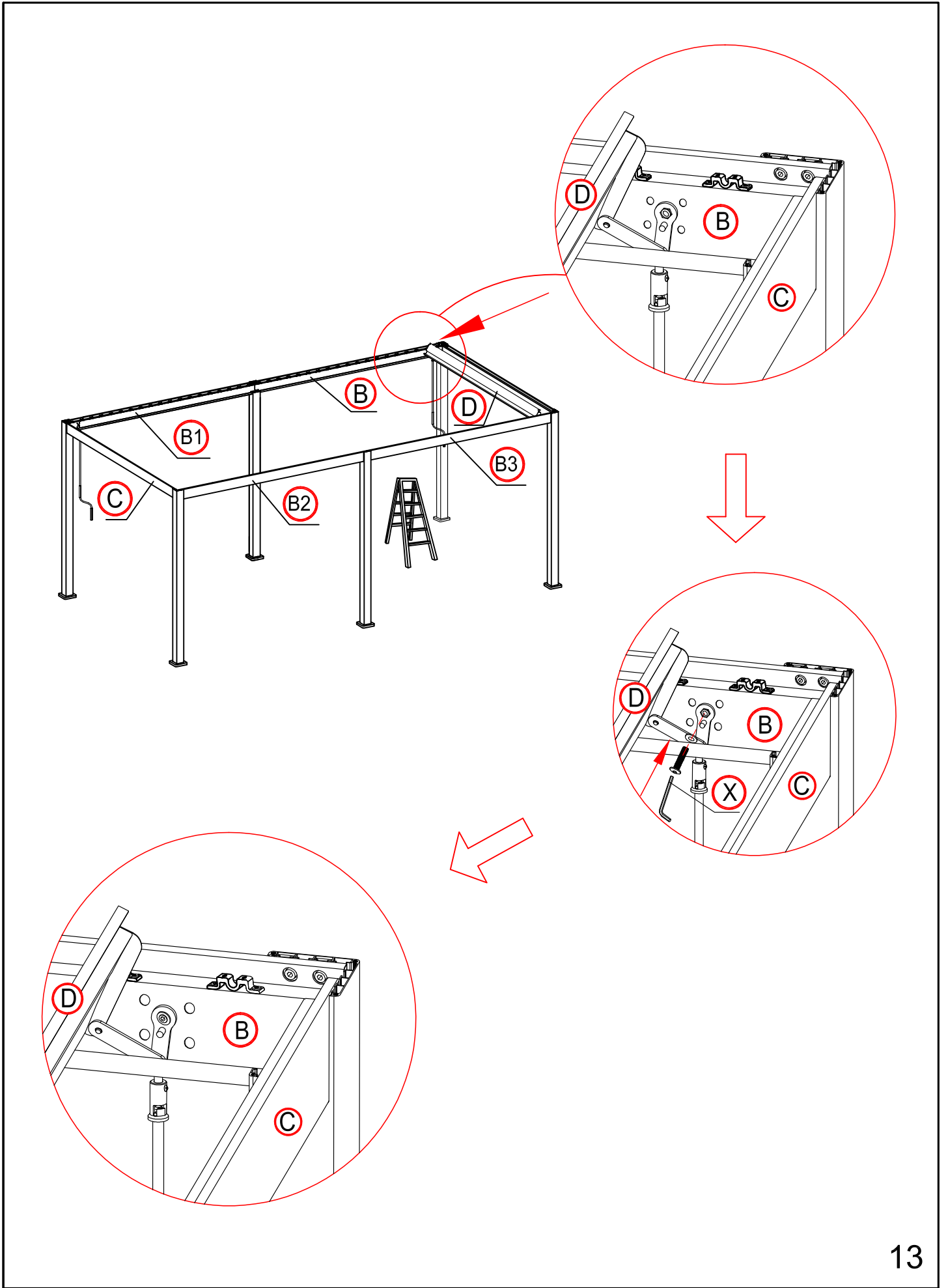


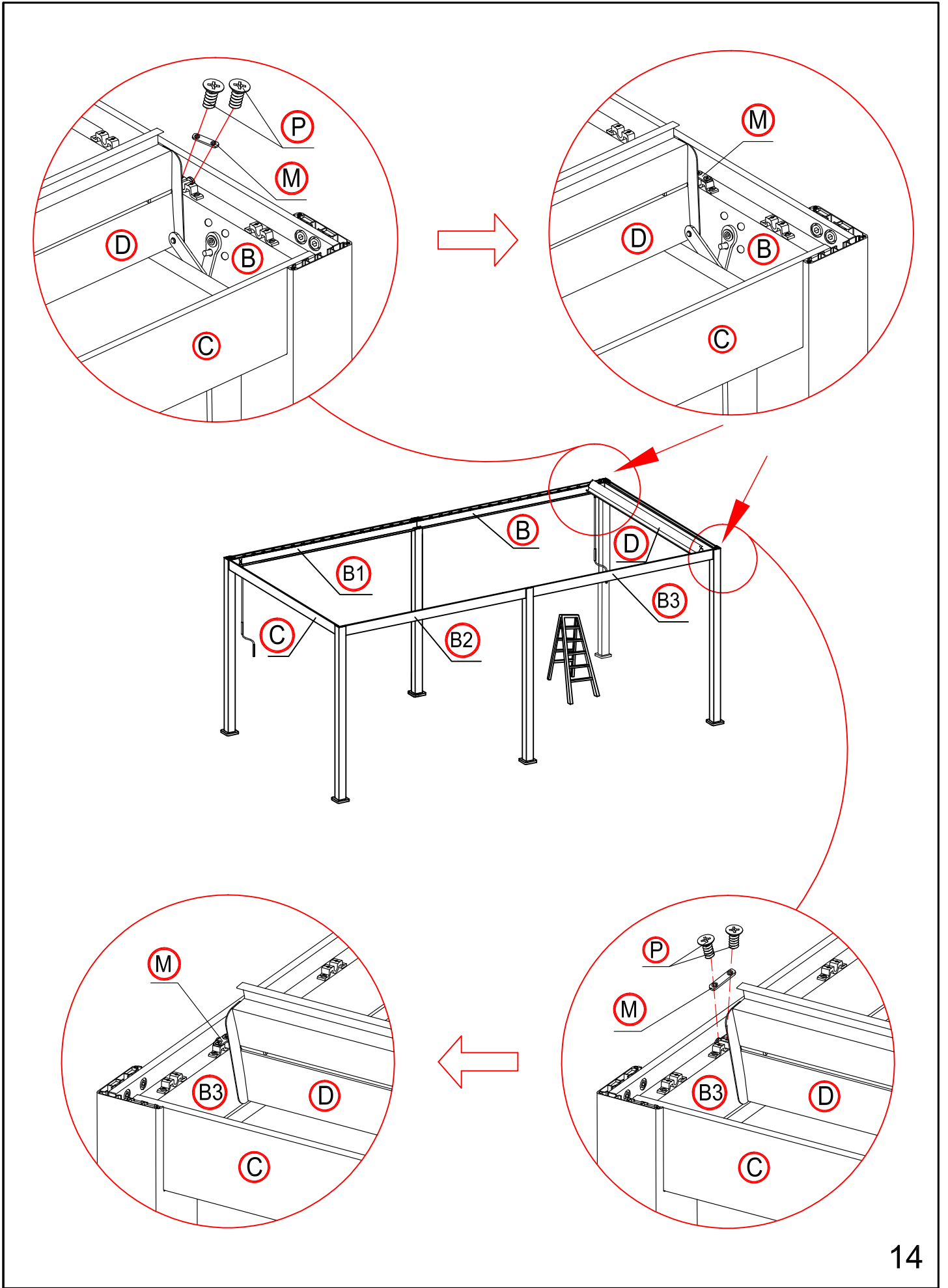
×2 times



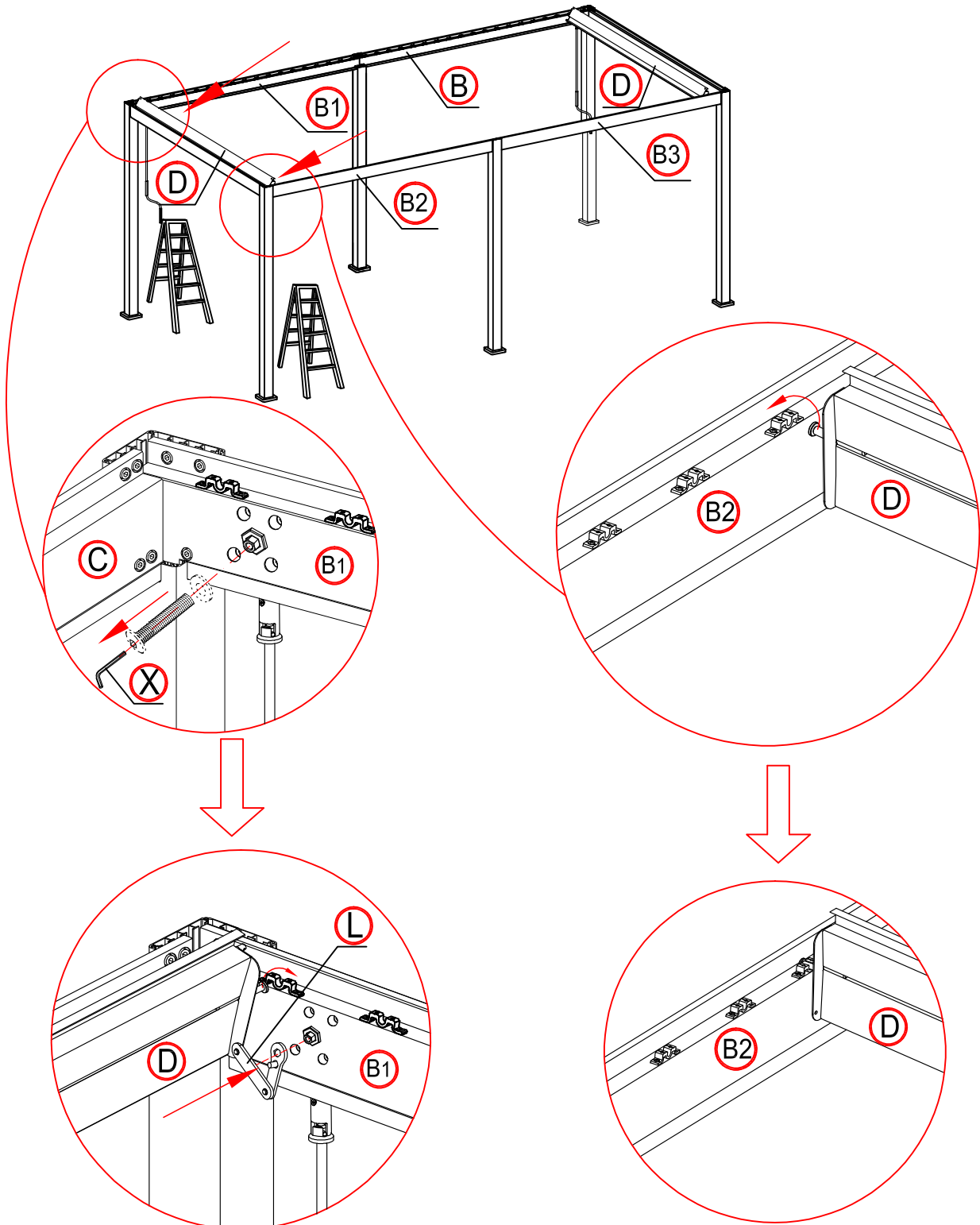
Assemble the second slice to the right.

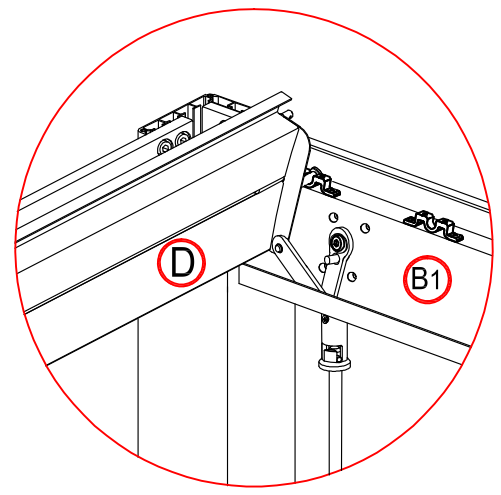
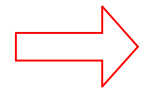
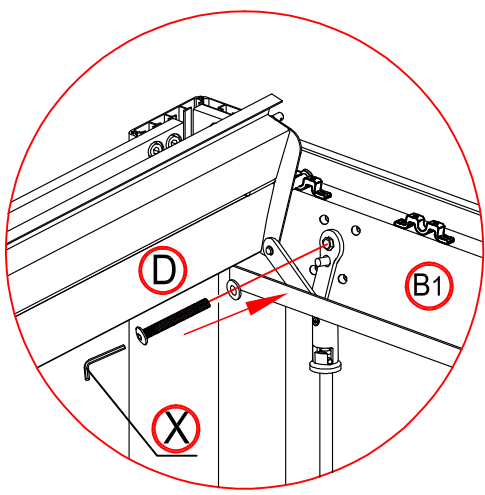
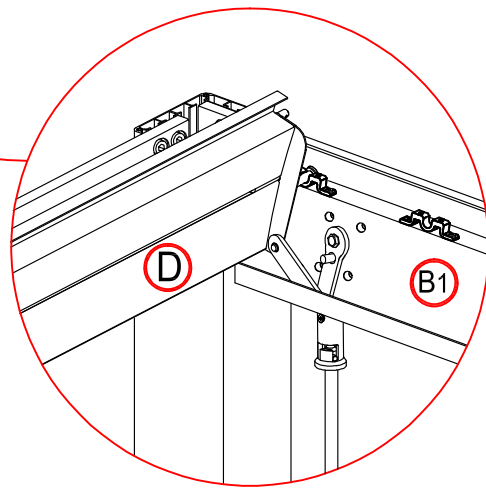
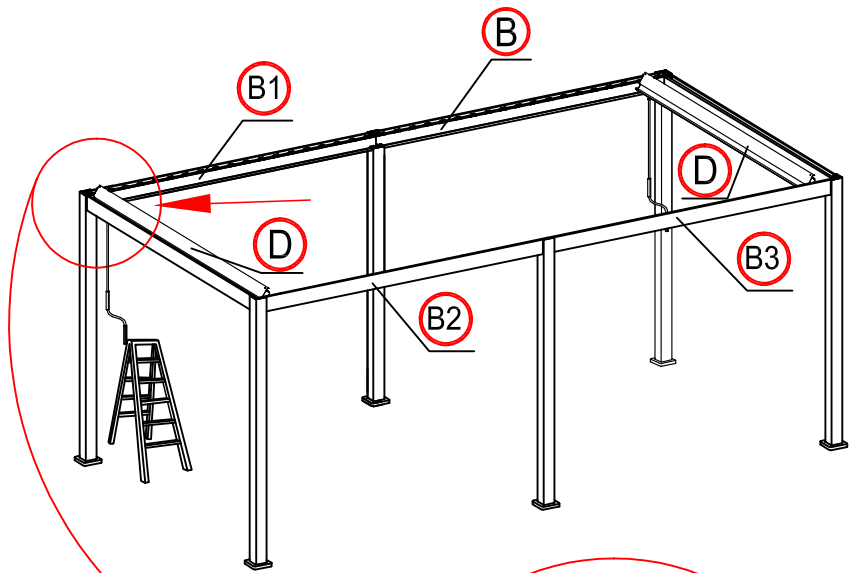


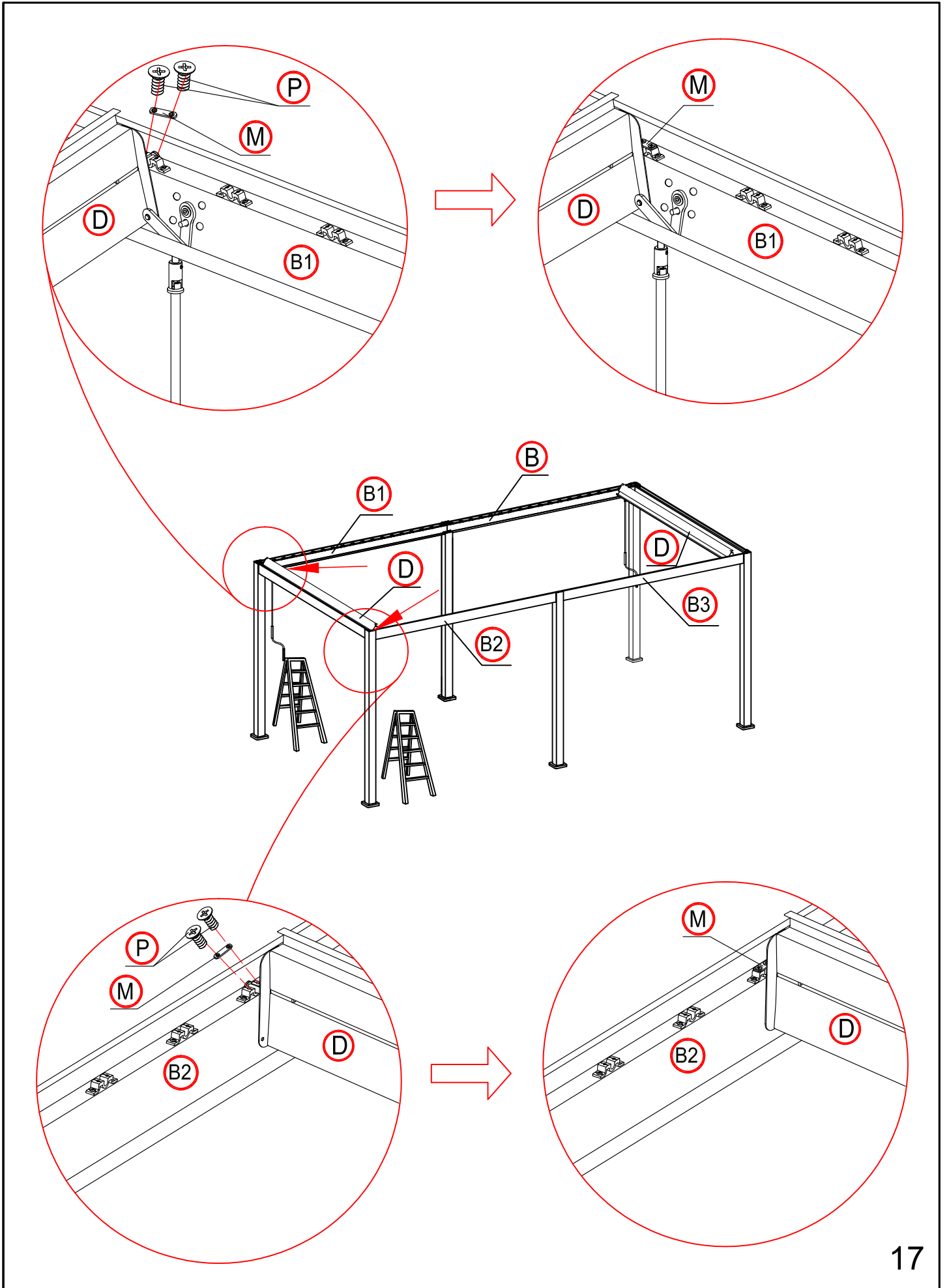




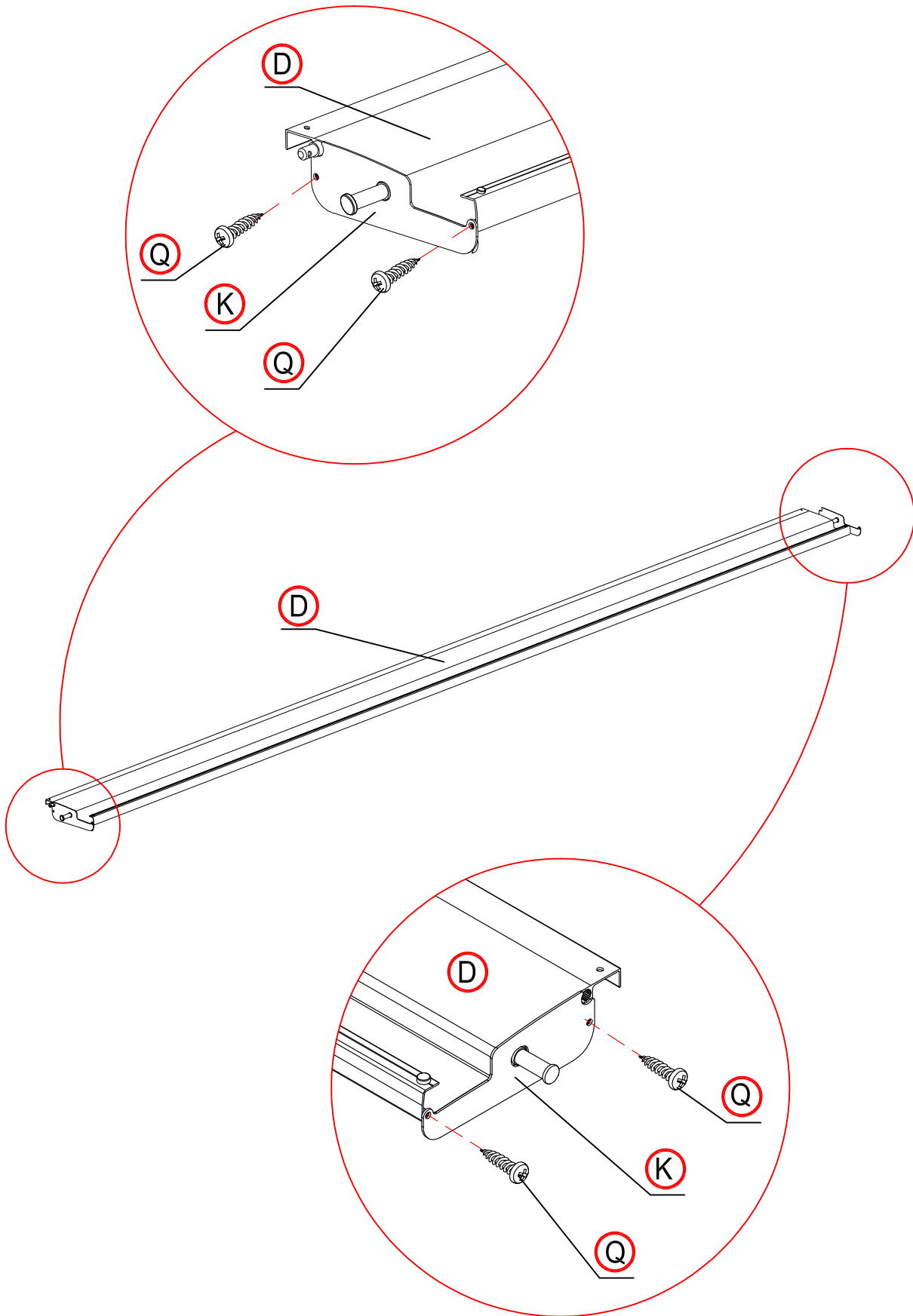
Assemble the first slice to the left.

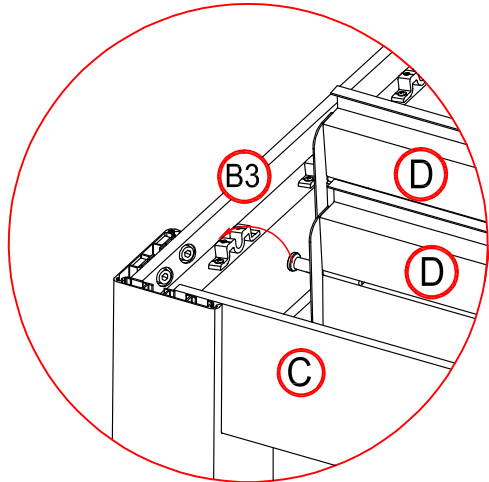
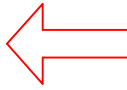
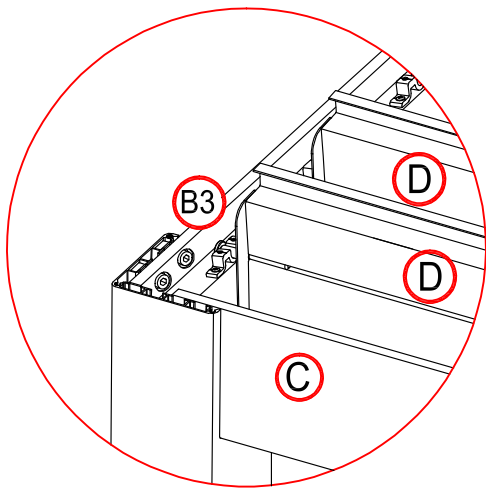
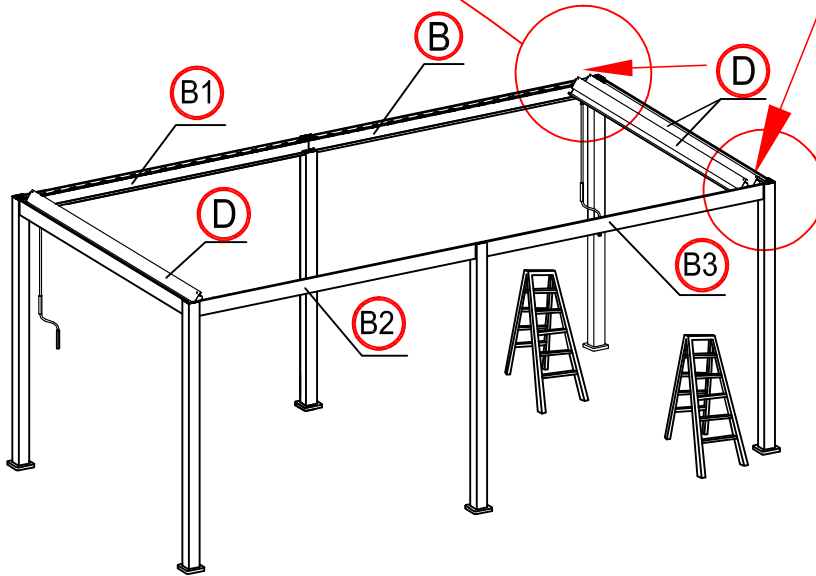
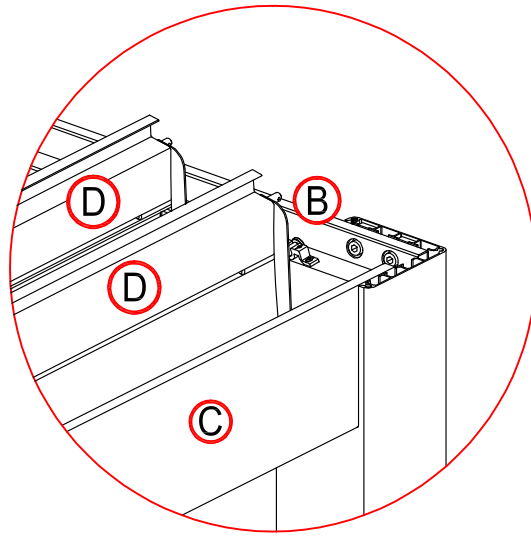
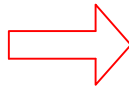
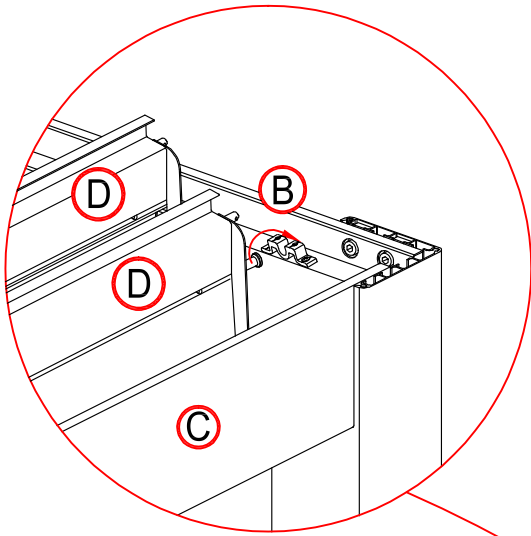


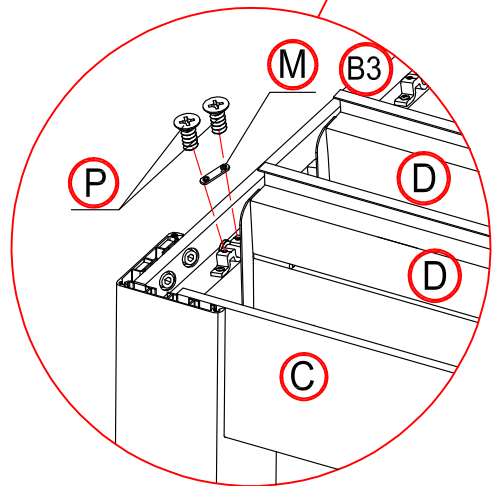
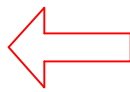
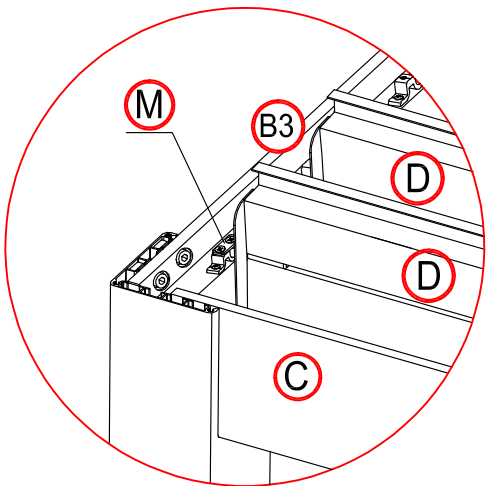
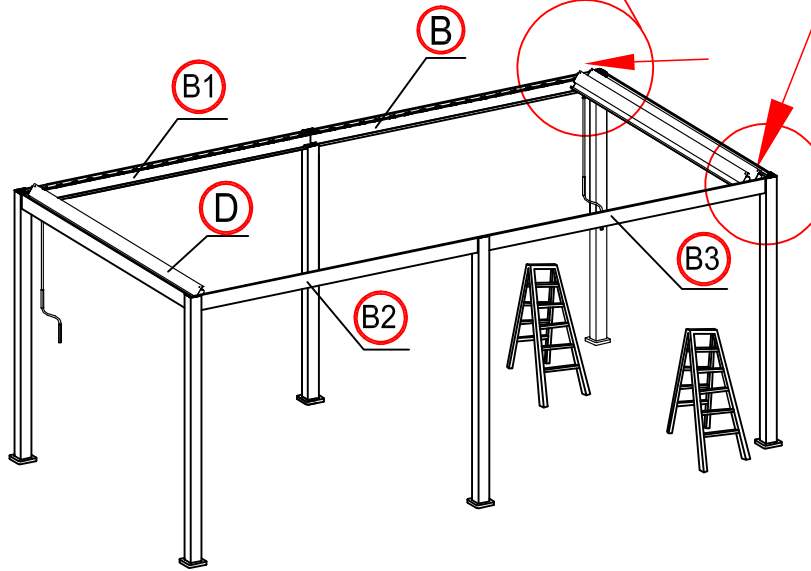
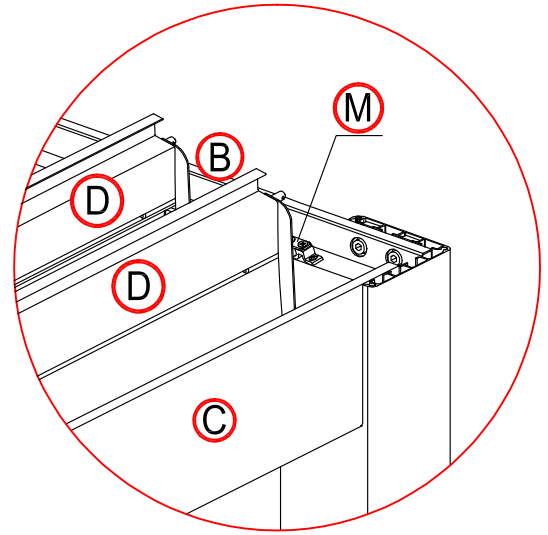
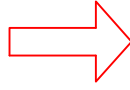
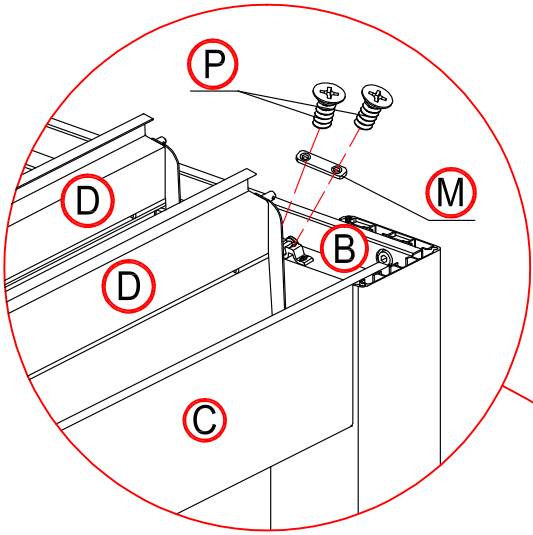




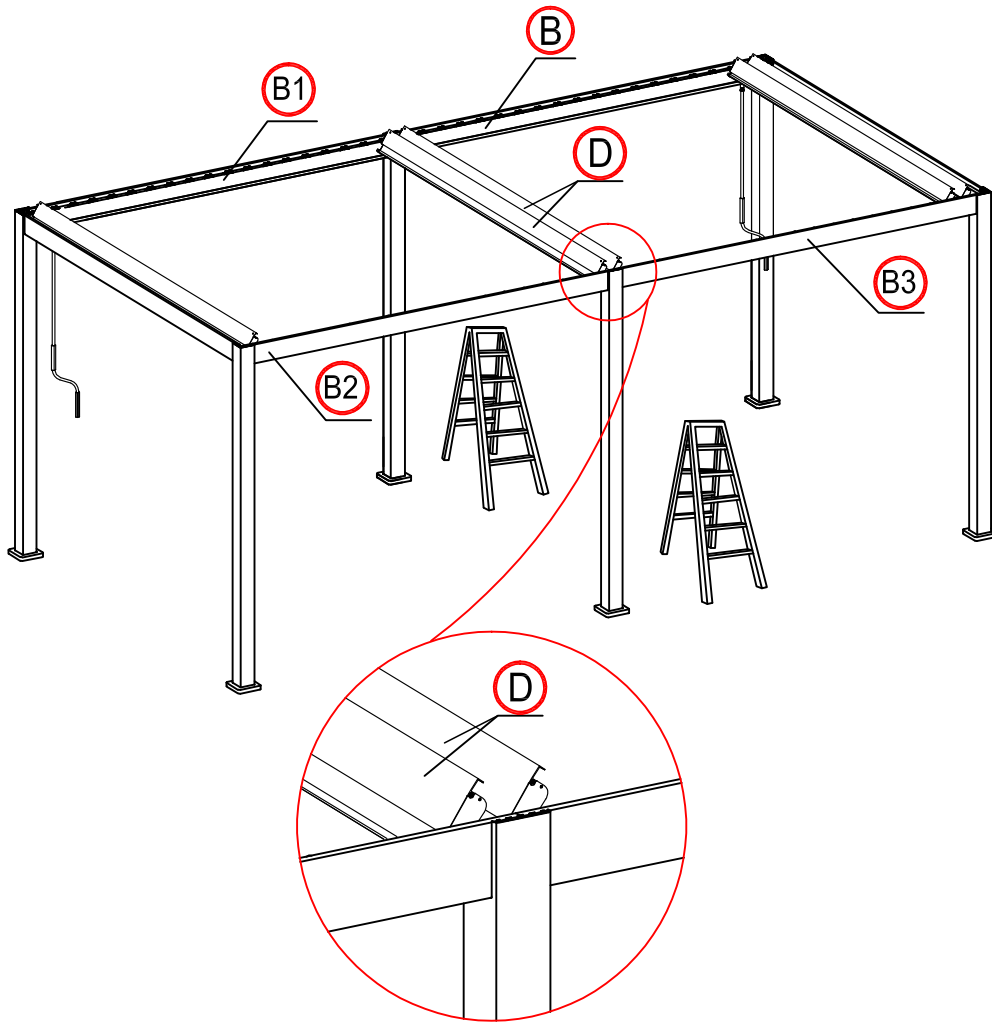
×36 times



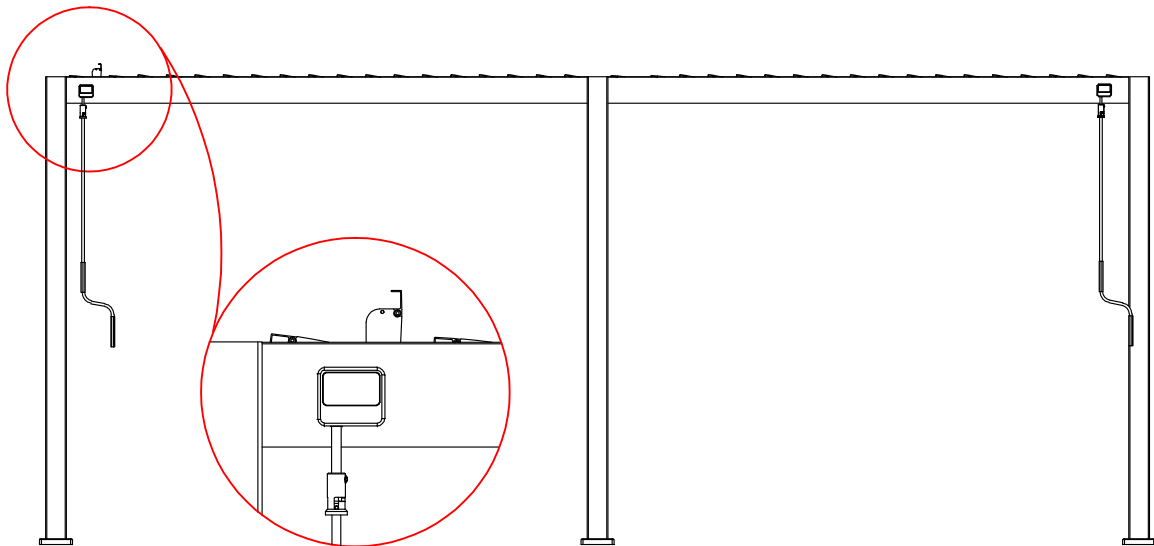


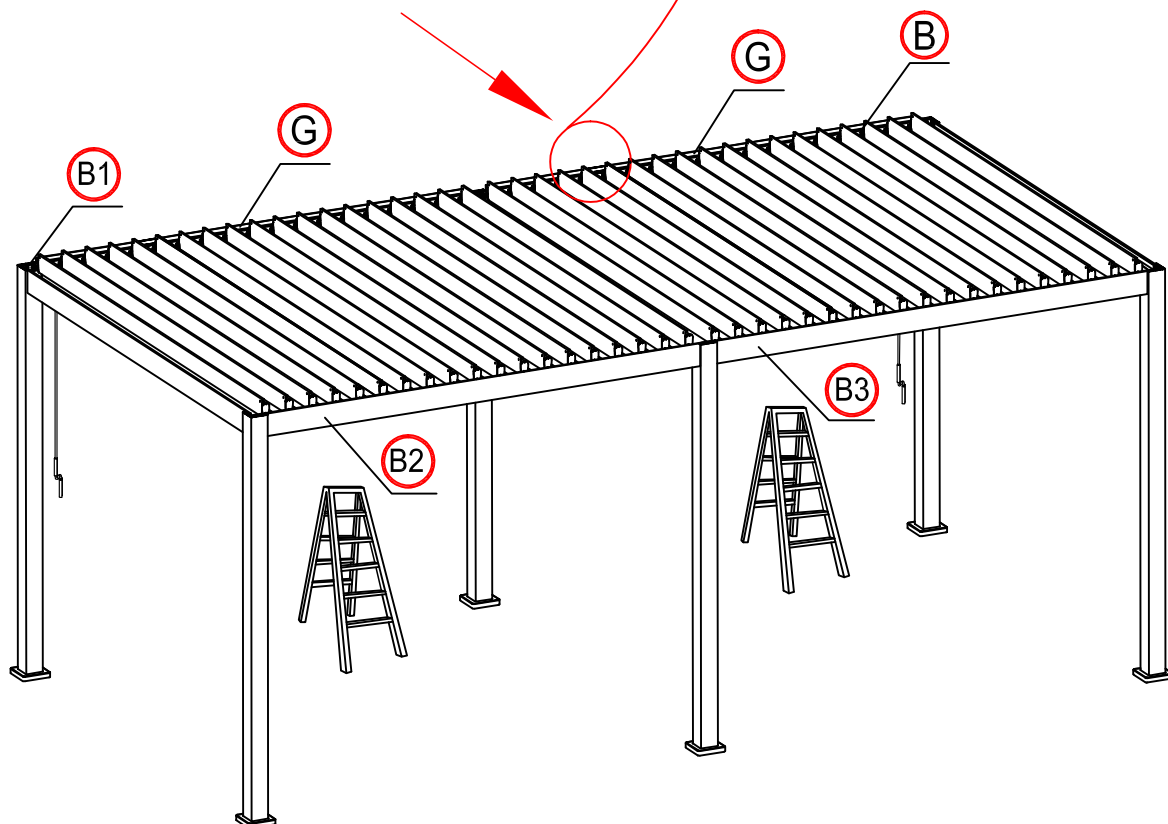
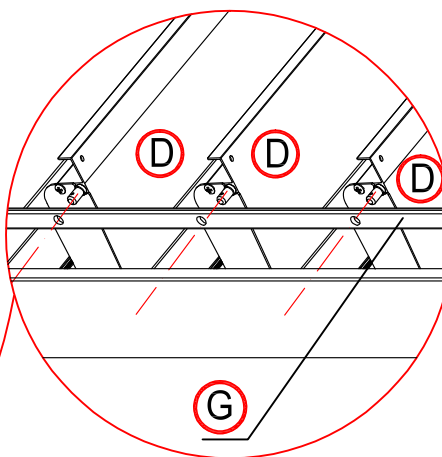
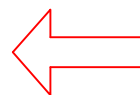
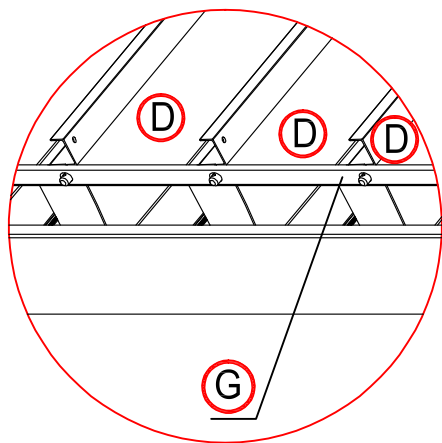
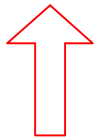
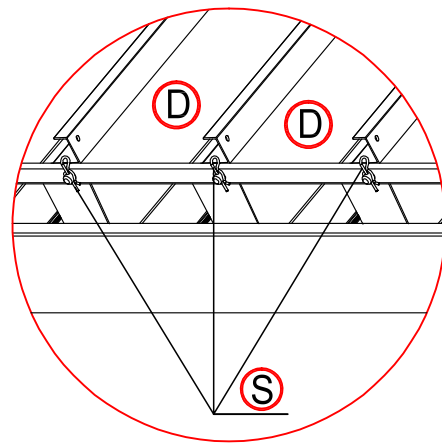
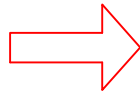
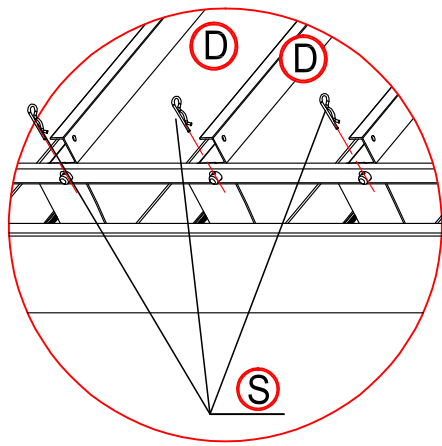


Please install the middle two shutter first.

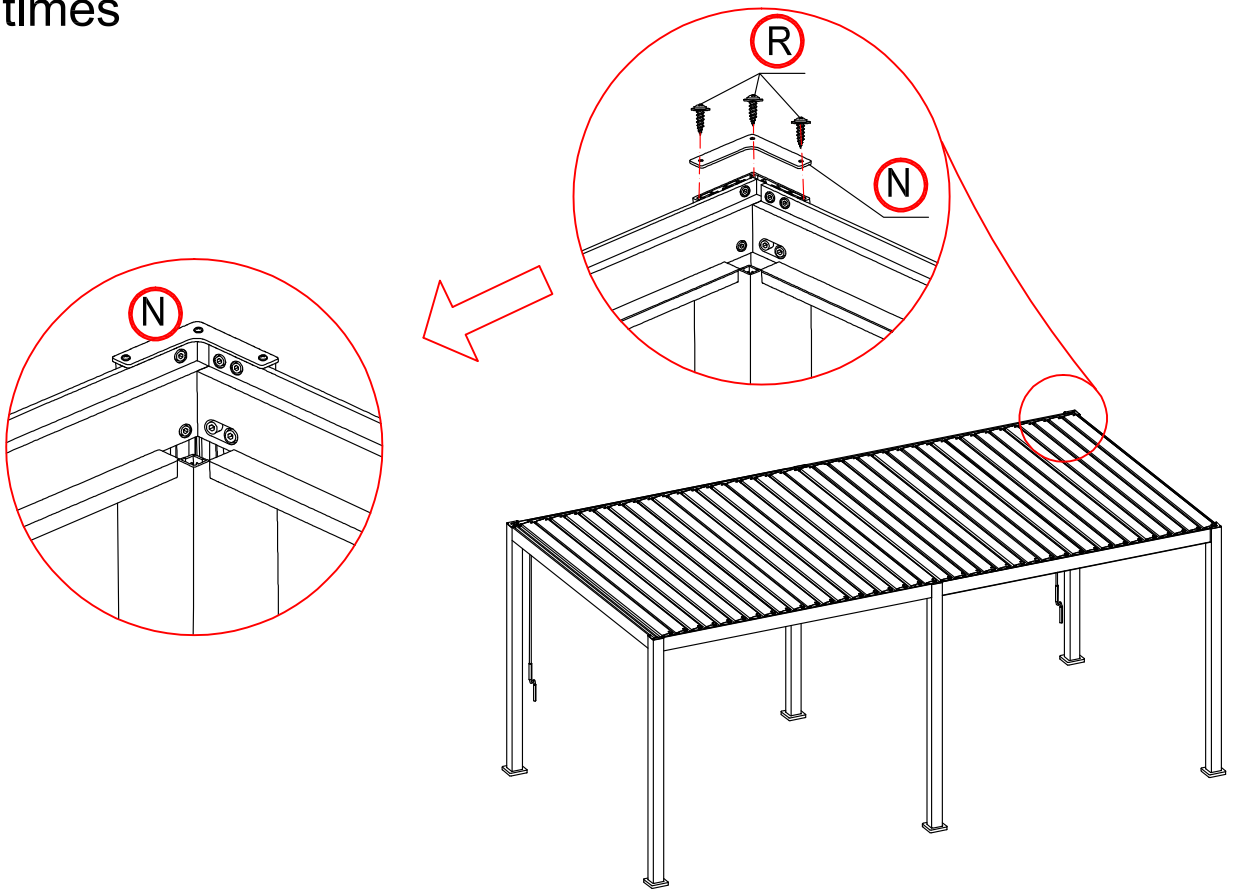


Make the shutter as vertical.

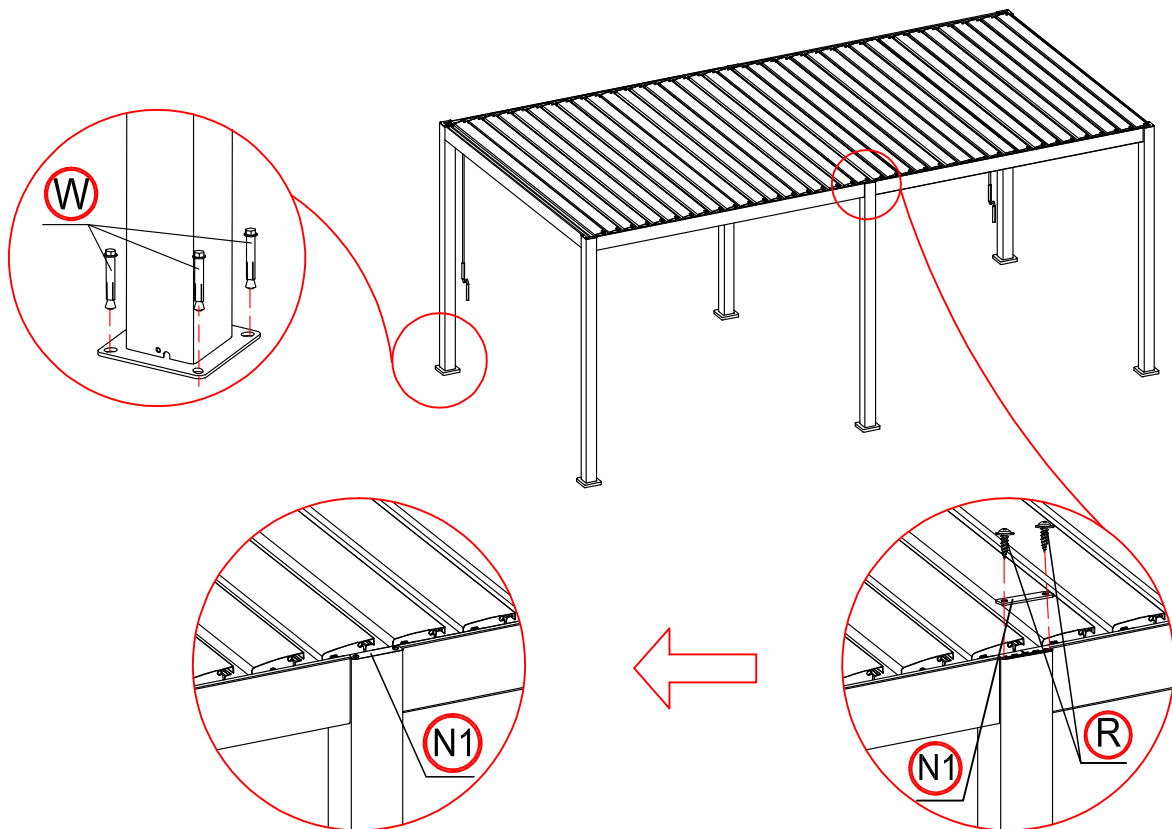




×4 times



23



24

24

