

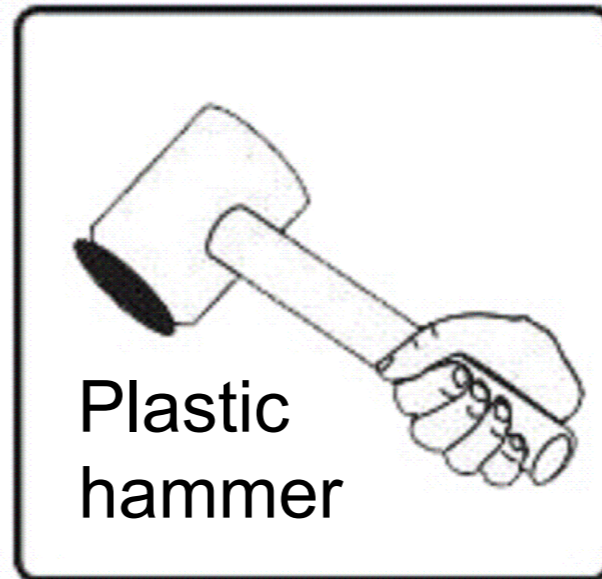
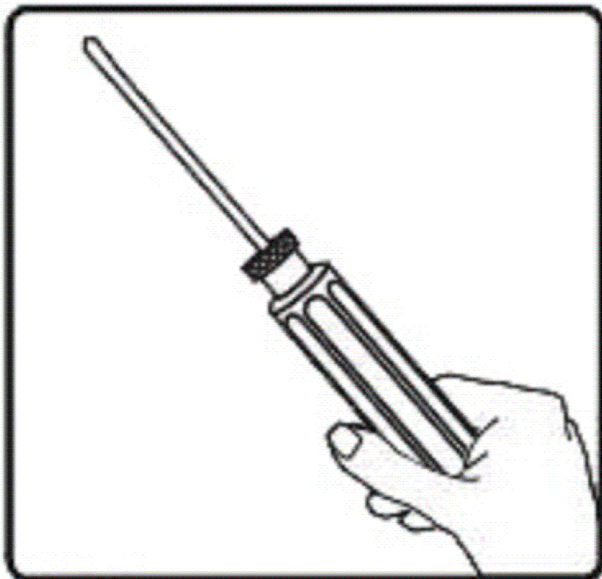
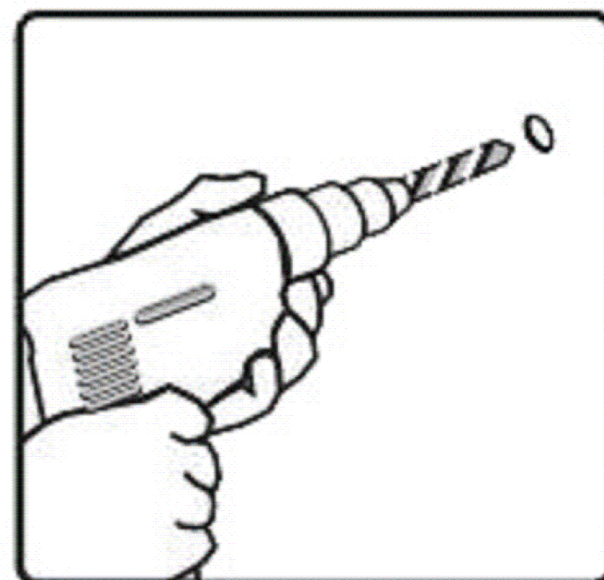
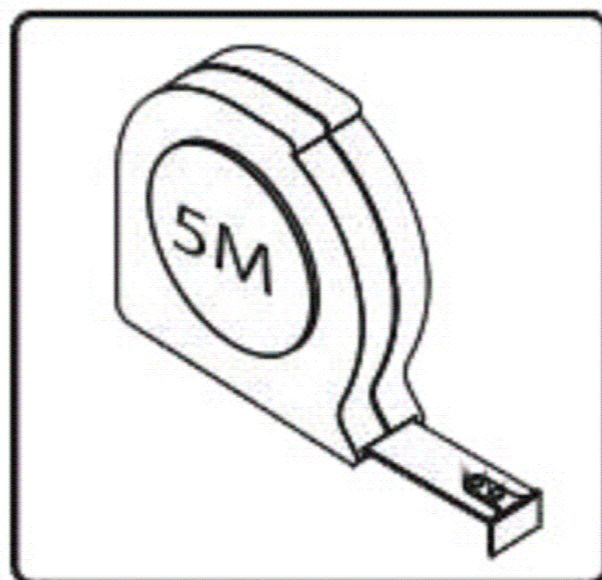
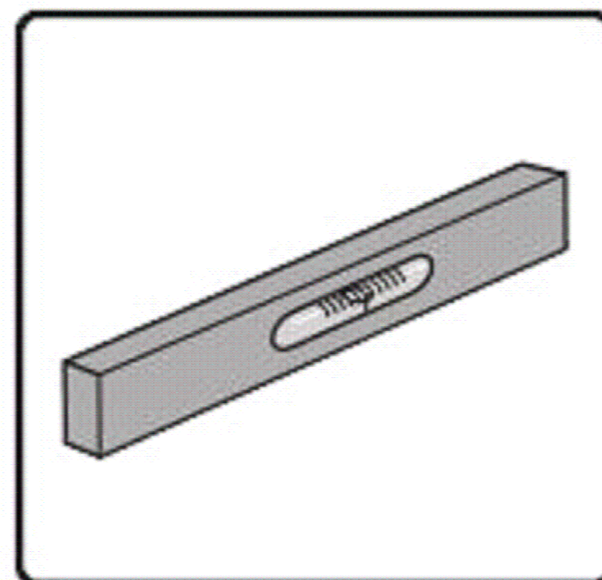
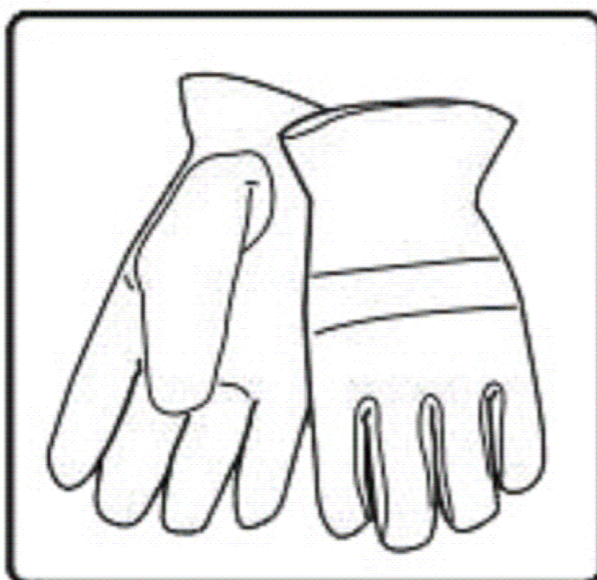
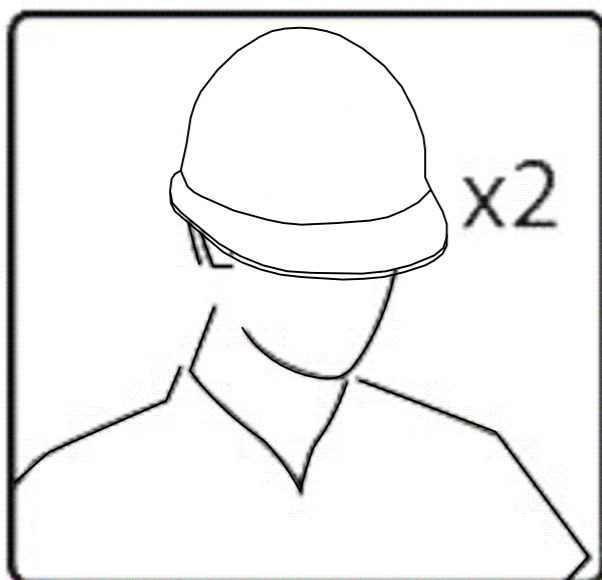
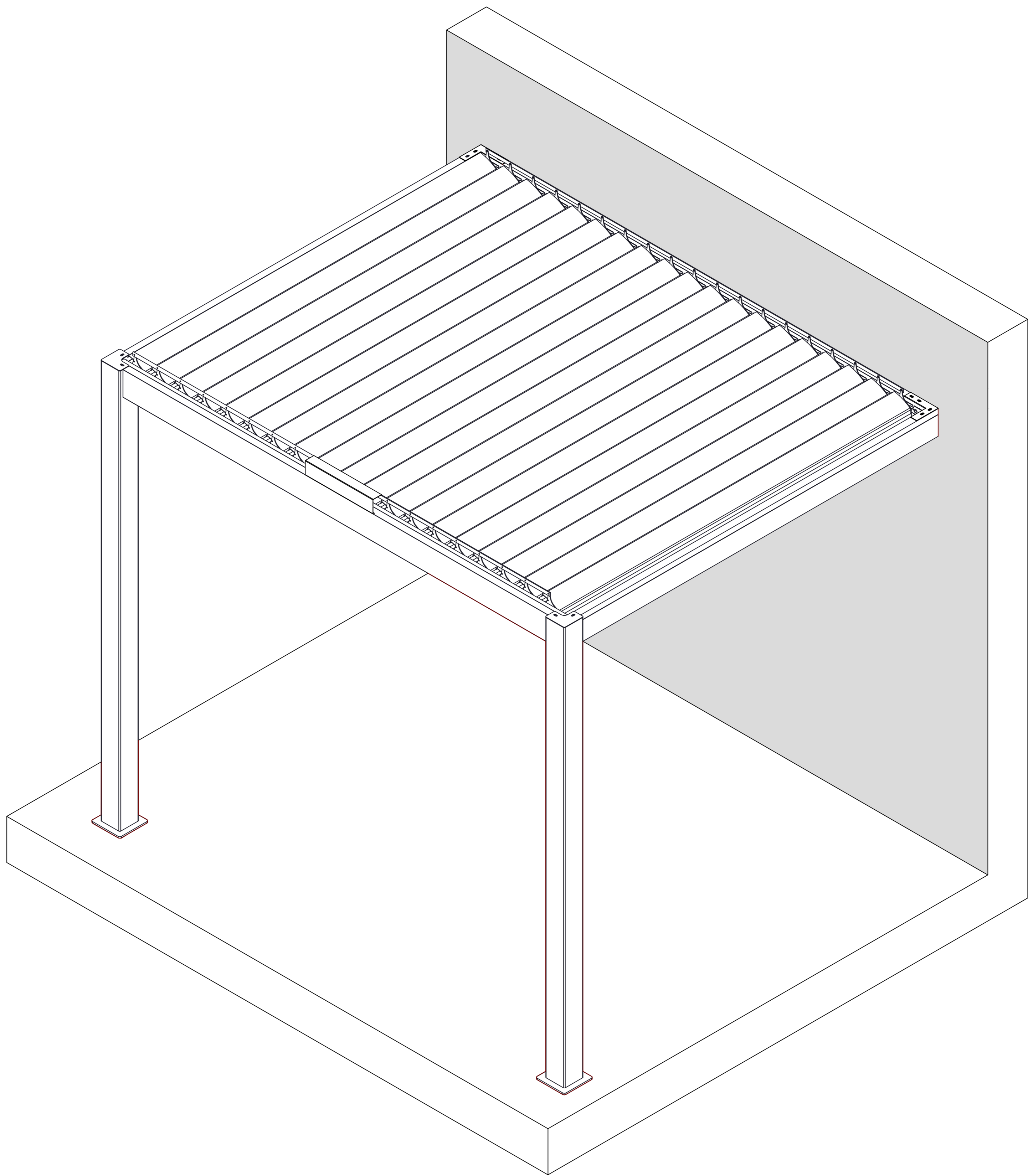


LIVING CULTURE

ELECTRIC PERGOLA WALL MOUNTED 2 POSTS

MOTORIZED 3x3/3x4m





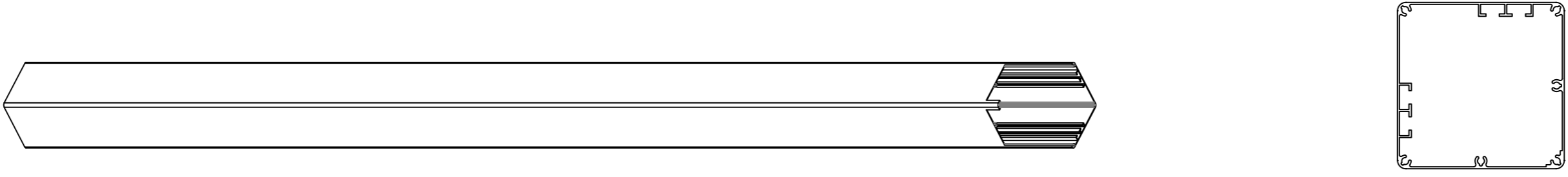
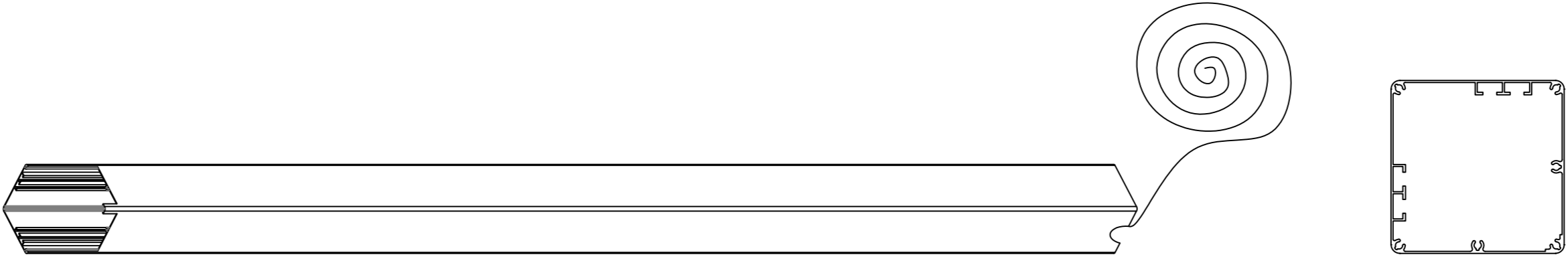
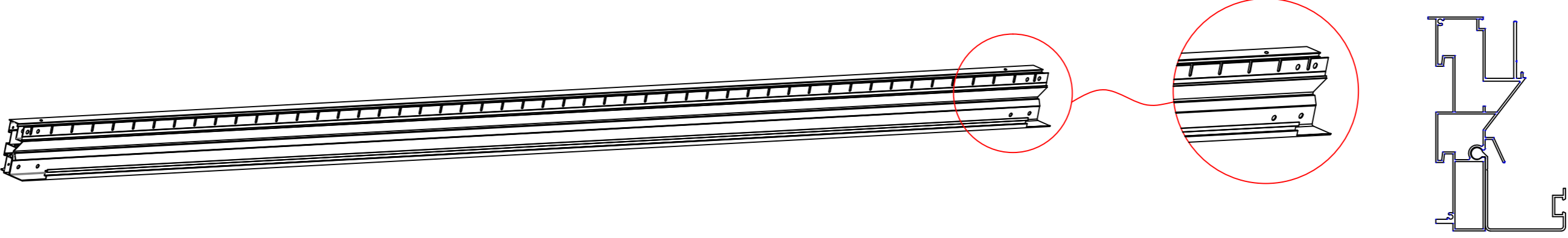
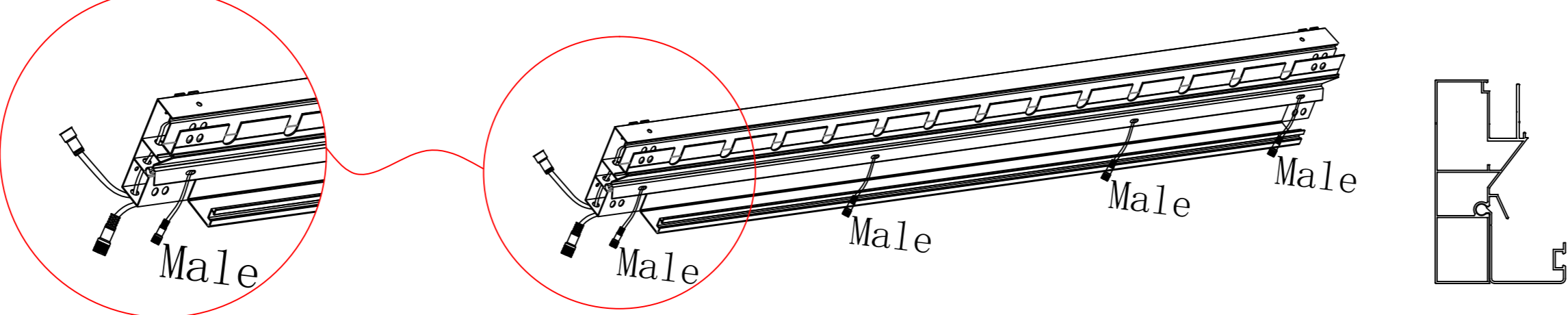
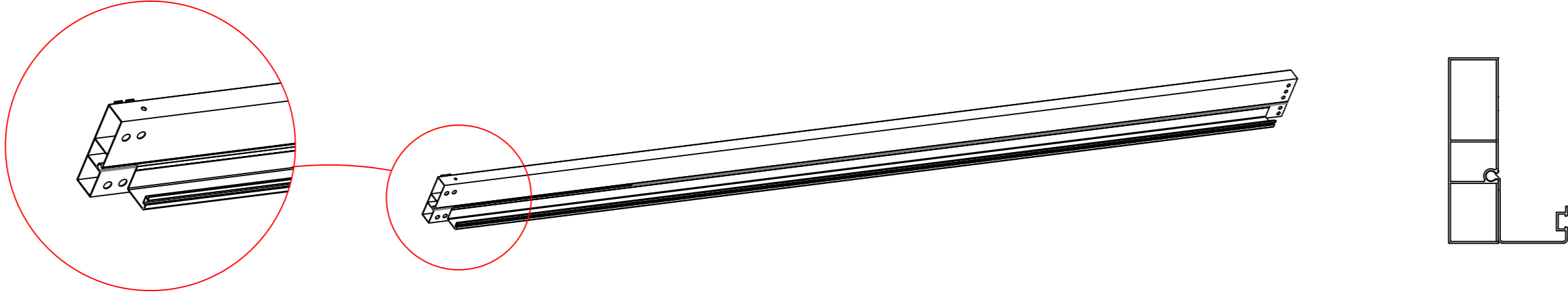
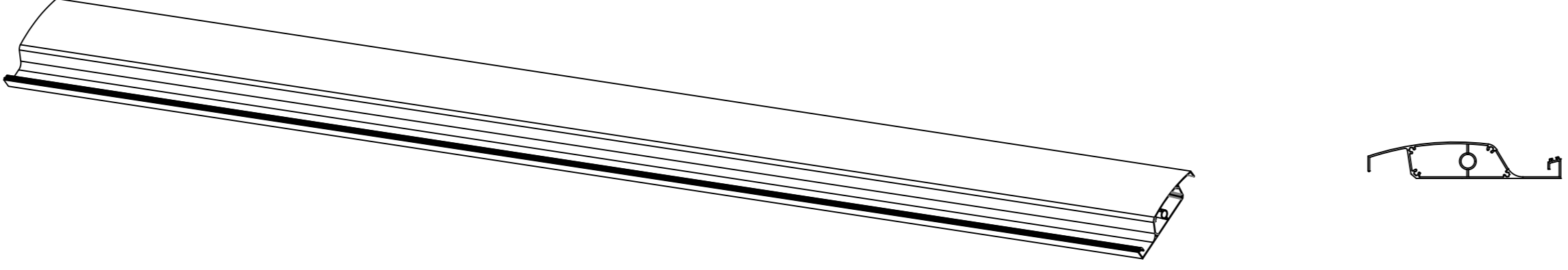
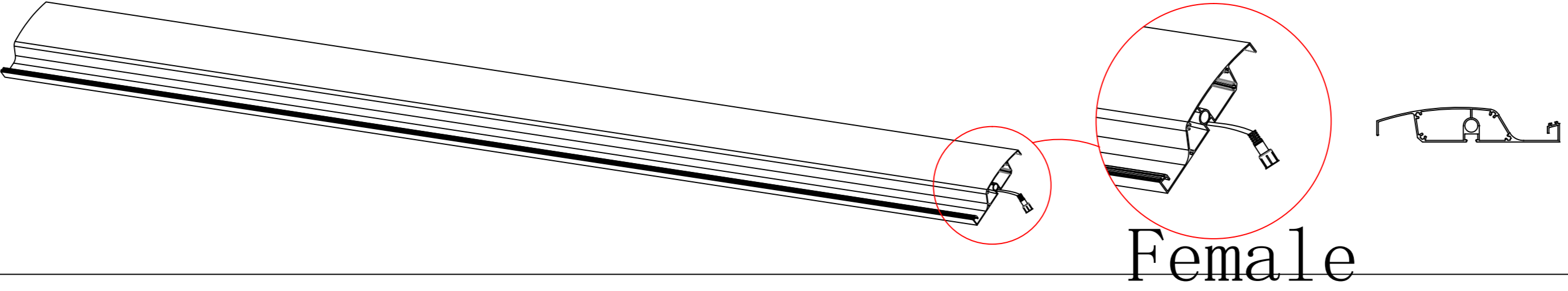
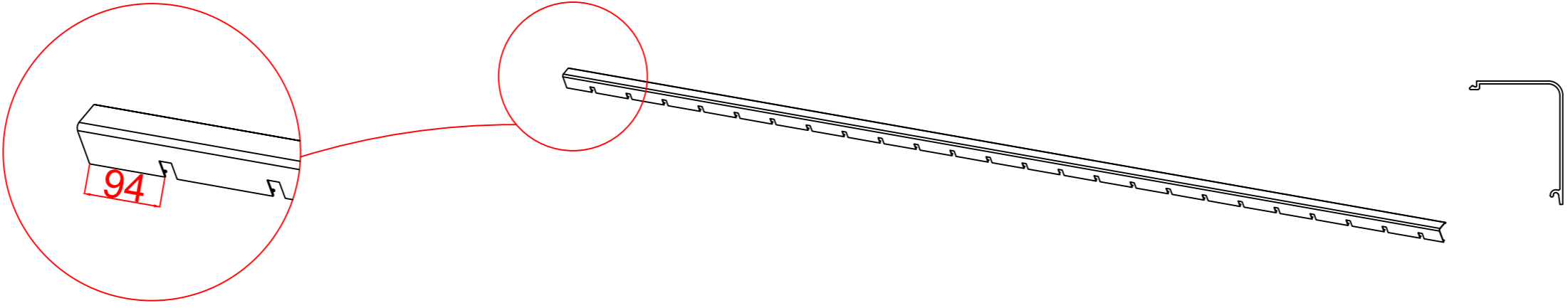
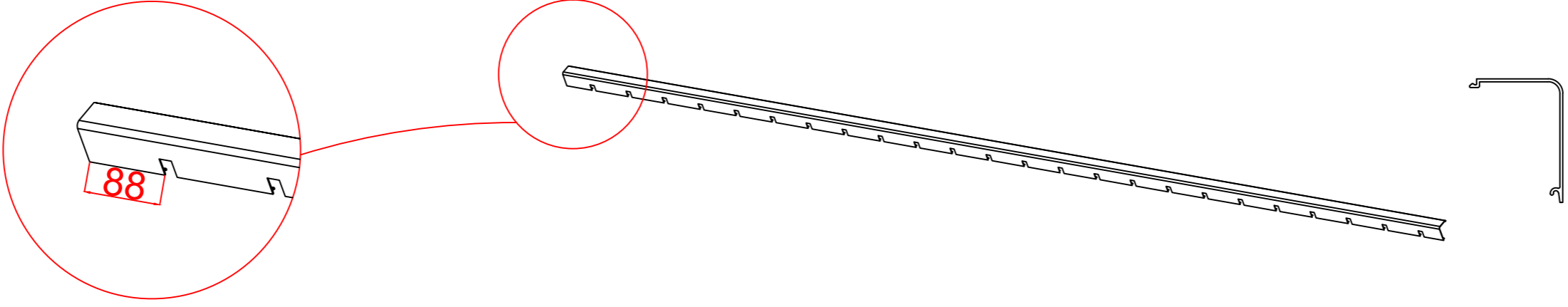
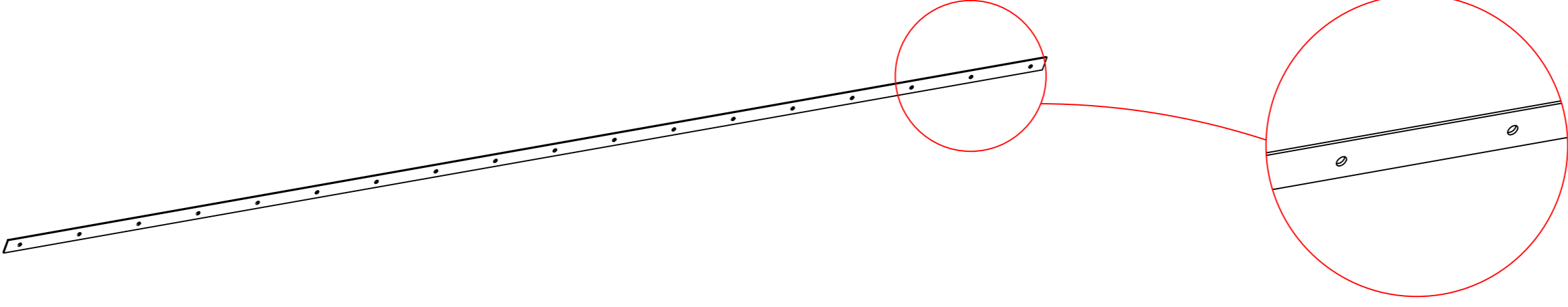
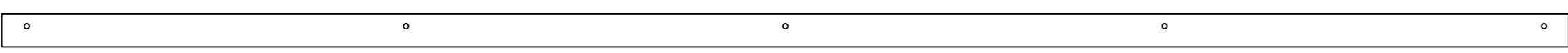


3×3m

	Item	Qty	Item	Qty	Item	Qty	Item	Qty
Carton 1/3	3B-01/ 01B	2	3B-11	2	3B-12	2	3B-13	2
	3B-14	1	3B-18	1	3B-19	16	3B-20/ 20B	38
	3B-21	8	3B-23	18	3B-24	1	3B-30	1
	3B-31	1	3B-35	2	3B-40	2	3B-41	2
	3B-42a	10	3B-42b	8	3B-46a	1	3B-46b	1
	3B-48	15	3B-48B	4	3B-49	15	3B-49B	4
	3B-51	152	3B-53	4	3B-54	4	3B-55	2
	3B-62	8	3B-57	4	3B-58	1	3B-59	1
	3B-60	1	3B-39	8	3B-22	12		
Carton 2/3	3B-02	1	3B-03	1	3B-04	2	3B-56	1
	3B-08A/B	2	3B-09	2	3B-06	1		
Carton 3/3	3B-06	14	3B-07	4				





Item	Drawings	Qty
3B-01		1
3B-01B		1
3B-02		1
3B-03		1
3B-04		2
3B-06		15
3B-07		4
3B-08A		1
3B-08B		1
3B-09		2
3B-56		1



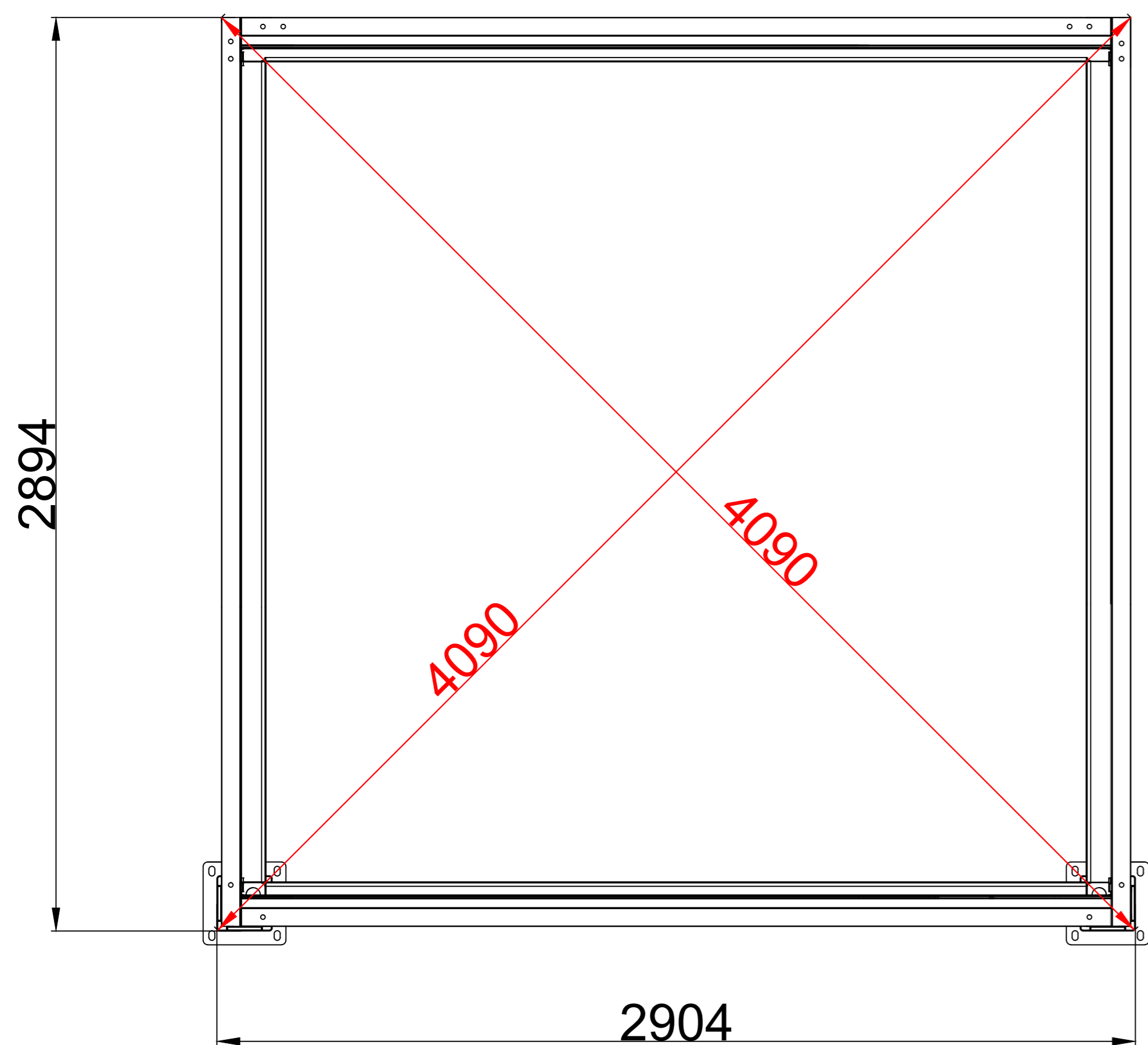
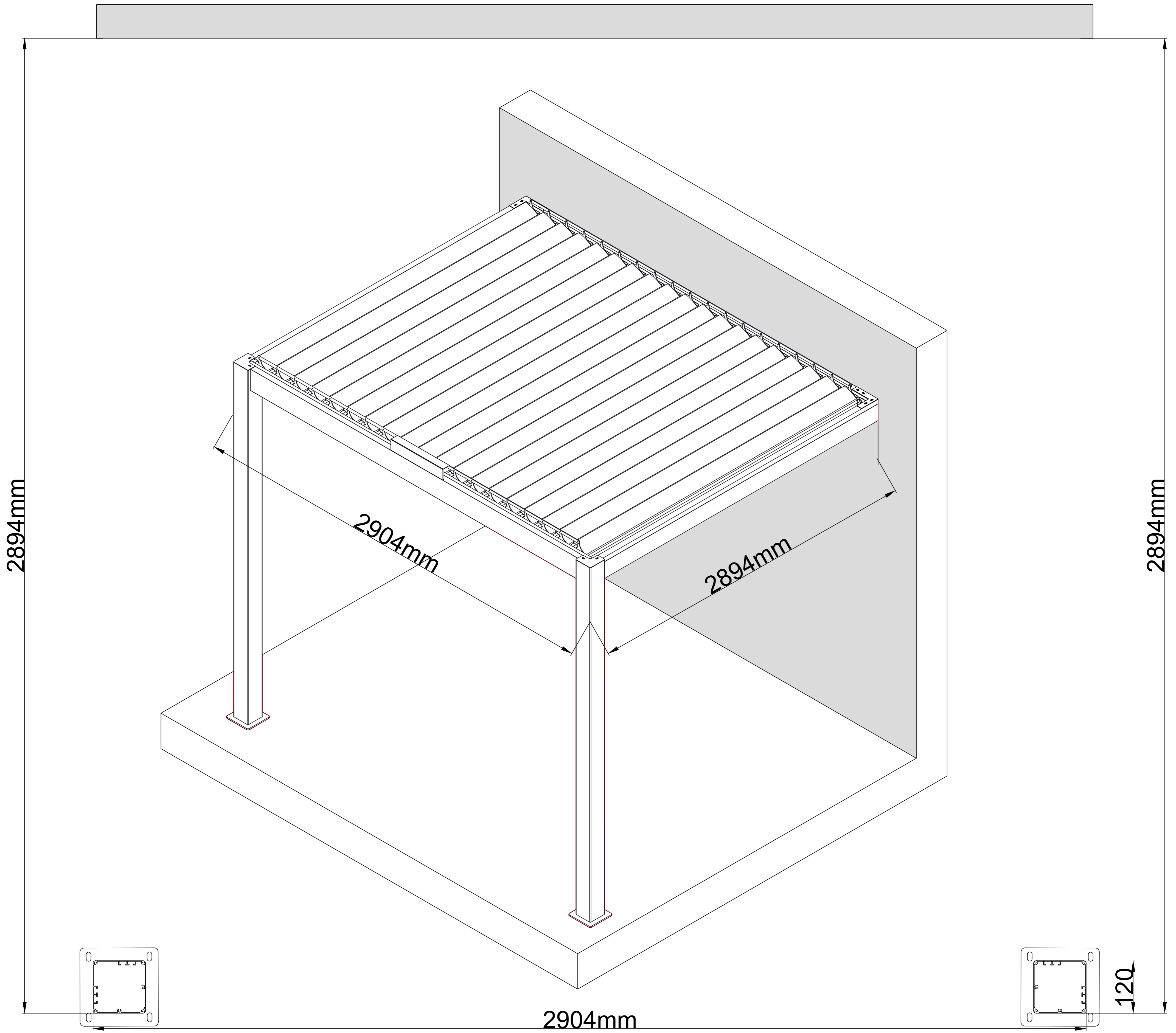


Item	Drawings	Qty
3B-11		2
3B-12		2
3B-13		2
3B-14		1
3B-18		1
3B-19	 M8*20	12+2
3B-20	 5-12-M4	34+2
3B-20B	 5-16-M4	4+2
3B-21	 M10*80	8
3B-22	 M5.5*60	12+2
3B-23	 M4.2*19	18+2
3B-24		1
3B-30		1
3B-31		1
3B-35		2
3B-39	 M8*100	8

Item	Drawings	Qty
3B-40		2
3B-41		2
3B-42a	 M6*16	10
3B-42b	 M6*16 P	8
3B-46a		1
3B-46b		1
3B-48		15
3B-48B		4
3B-49		15
3B-49B		4
3B-51	 M4.2*25	152+4
3B-53		4
3B-54	 M4.2*25	4
3B-55		2
3B-57		4
3B-58		1

Item	Drawings	Qty
3B-59	 M5*20	1
3B-60	 M4.2*19/8pcs	1
3B-62	 M14*75 M10*100	8

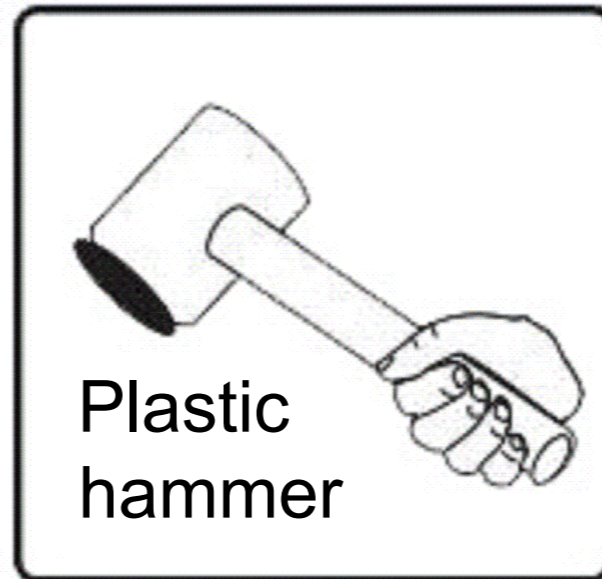
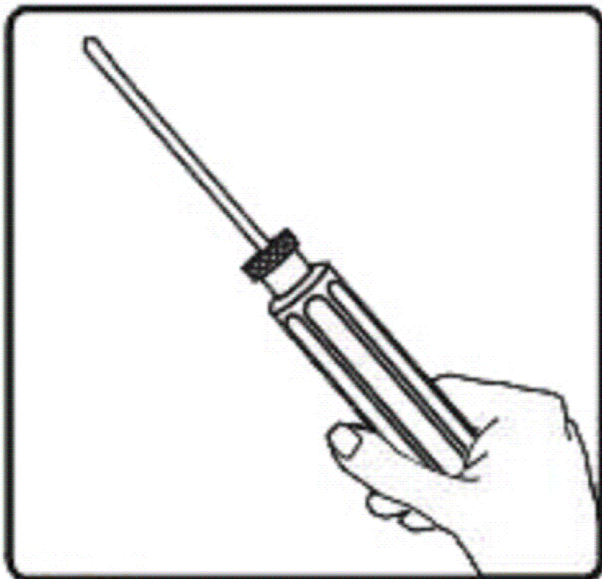
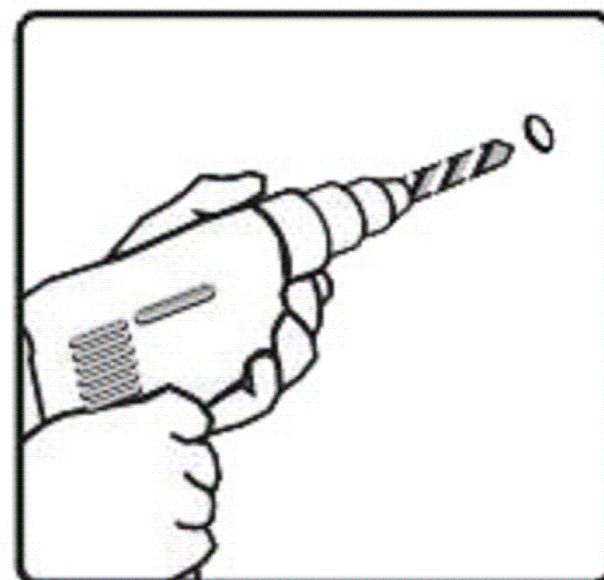
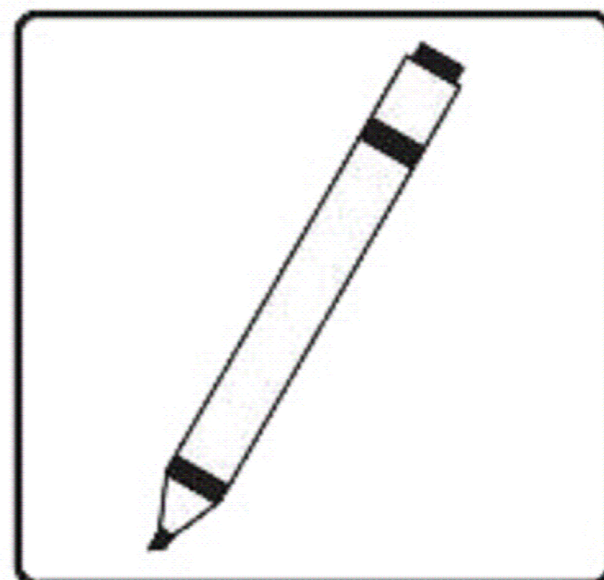
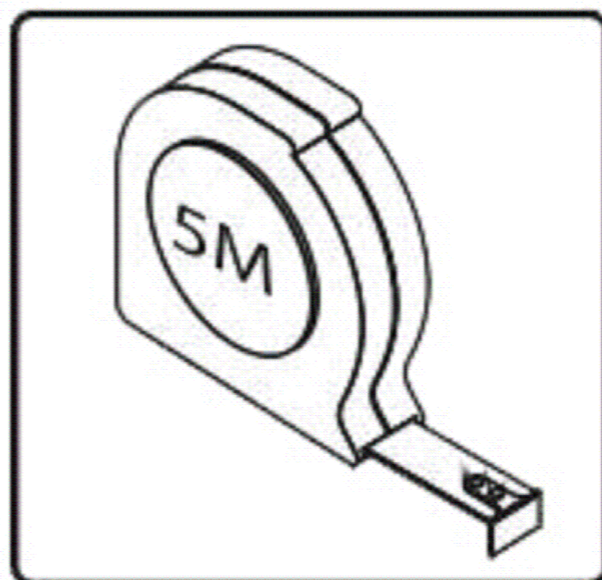
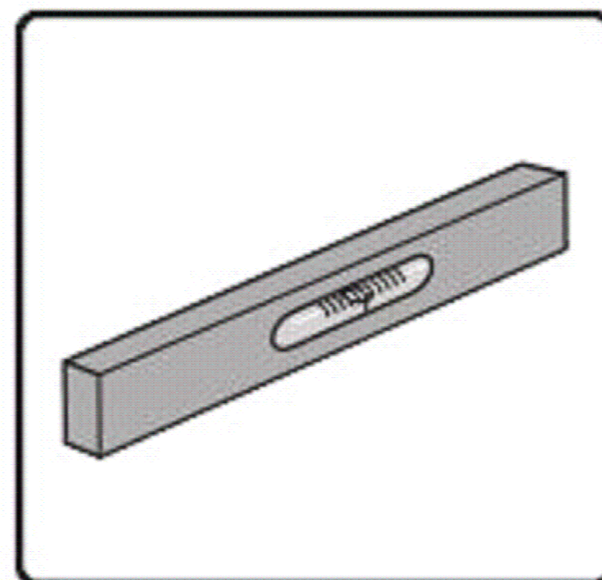
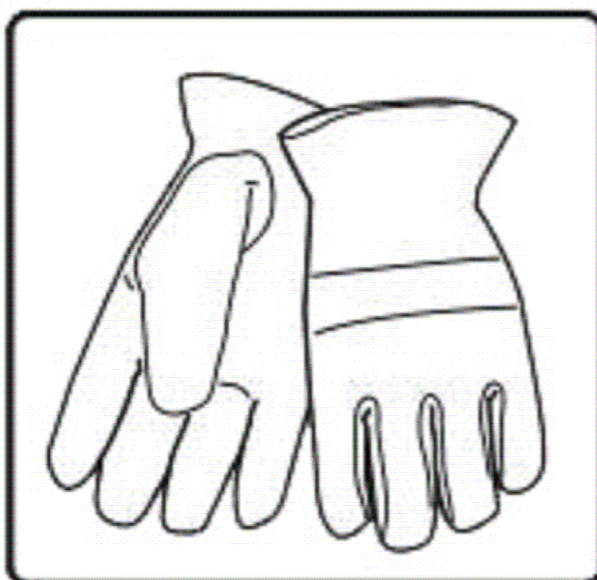
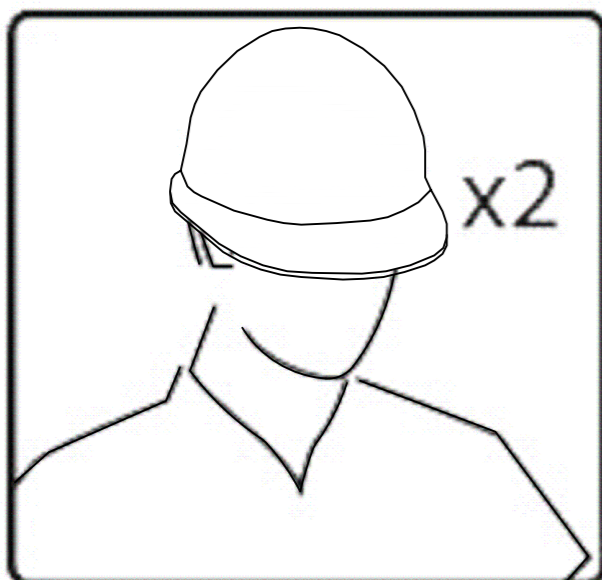
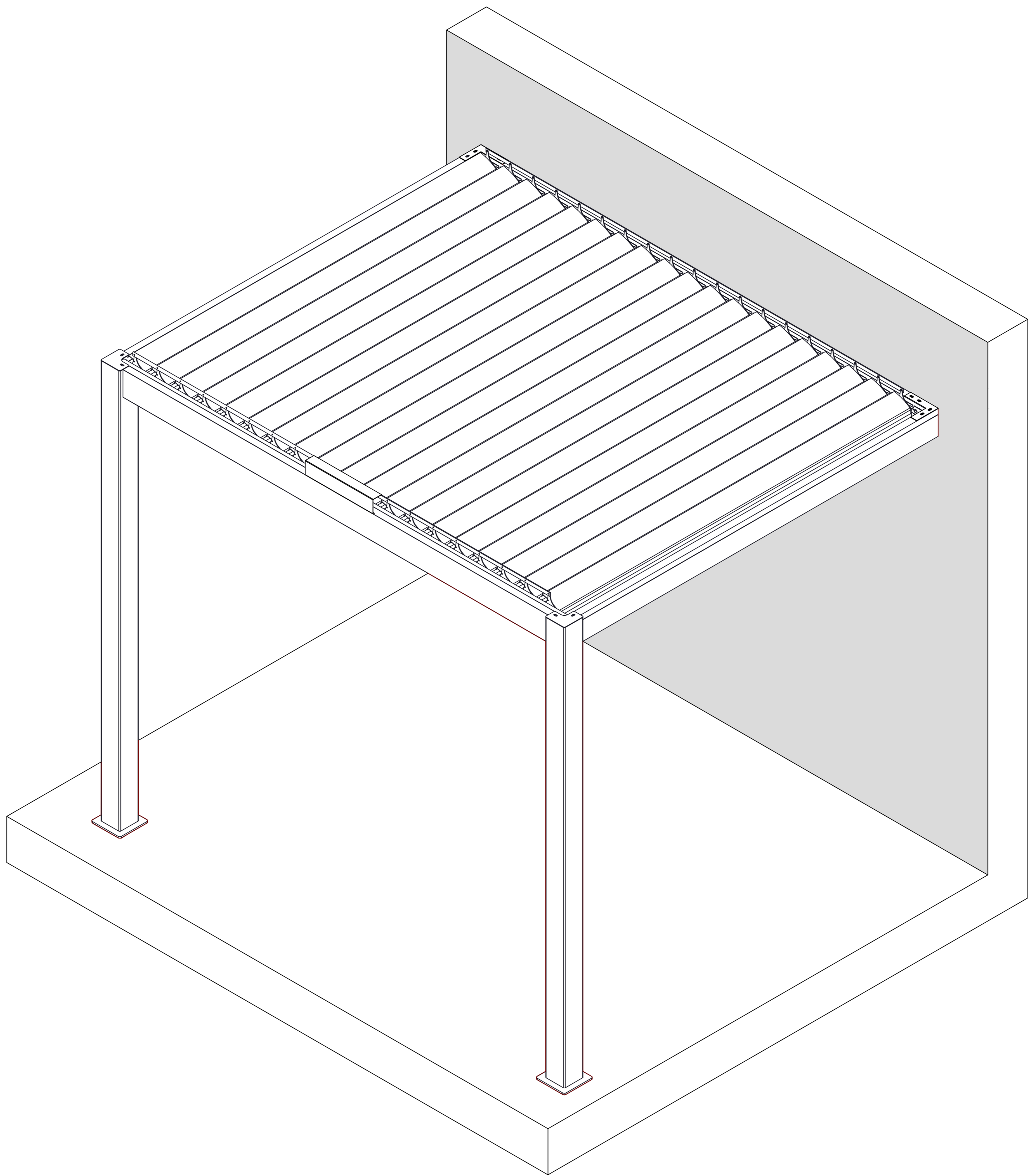




Before installing the bottom expansion screws, please be sure to correct the frame size

3*3-4





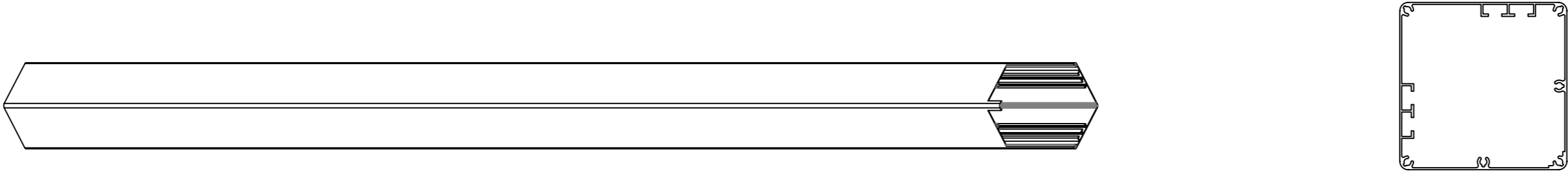
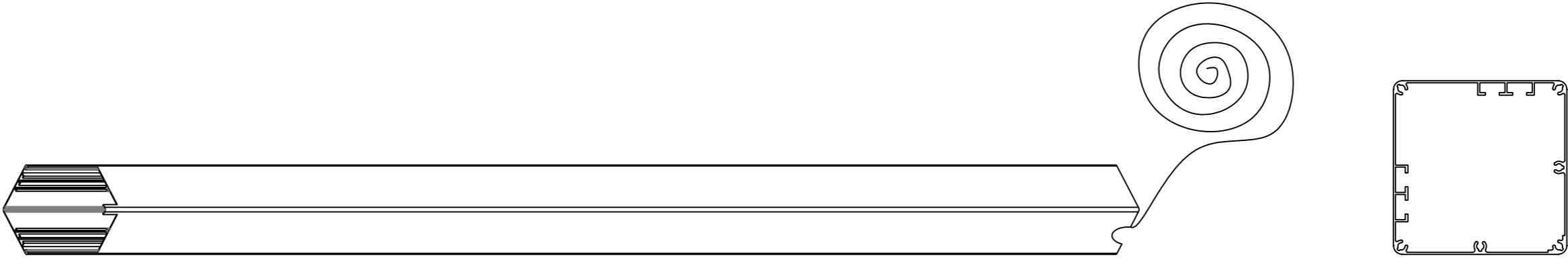
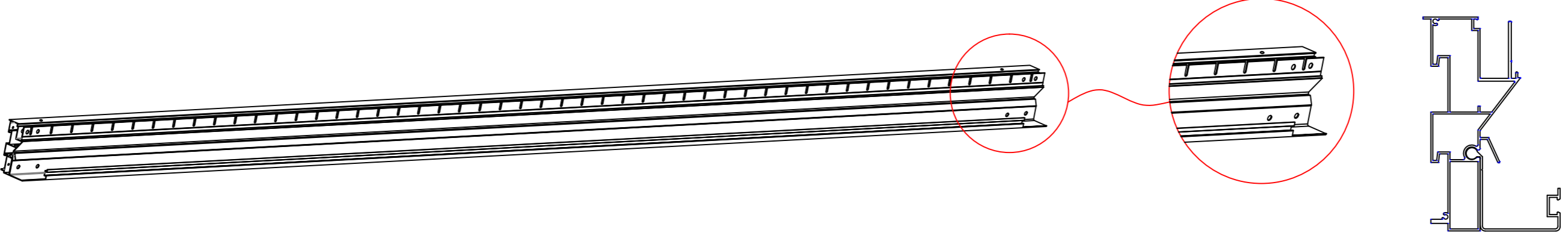
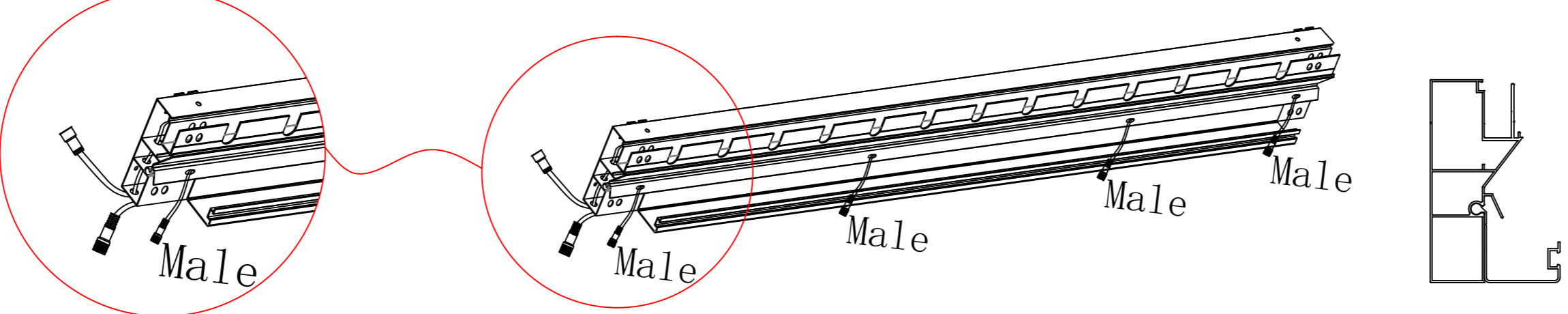
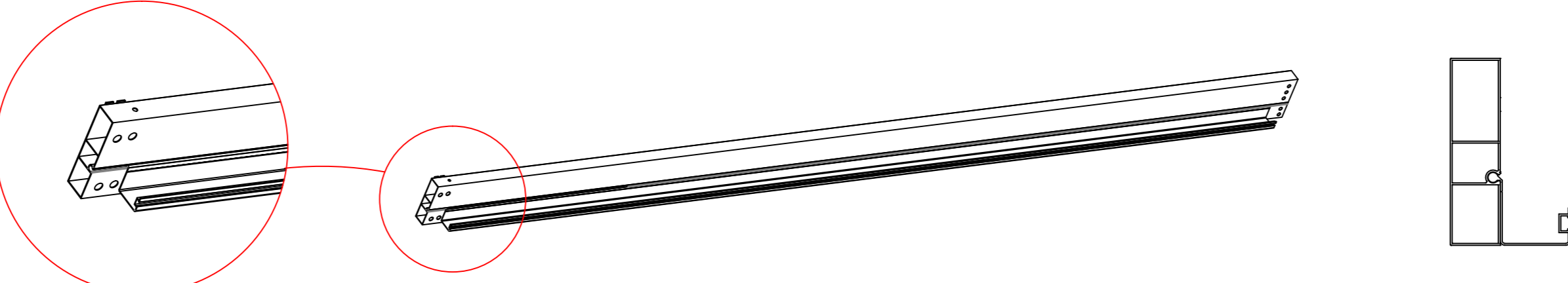
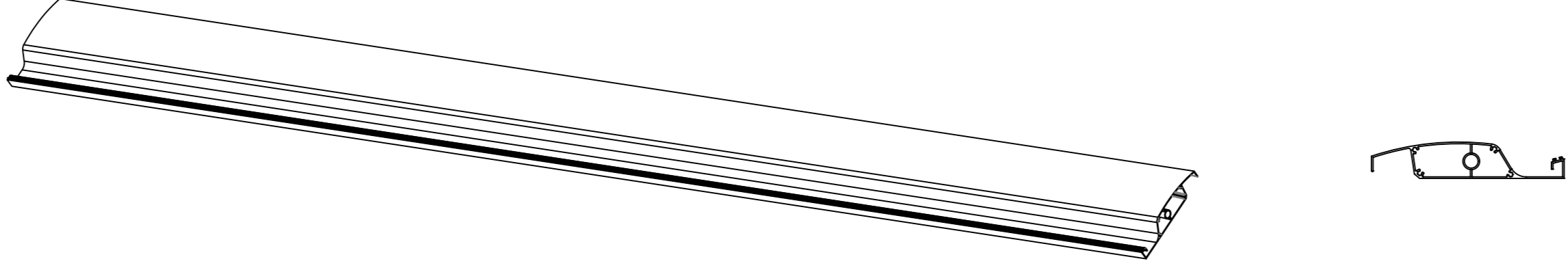
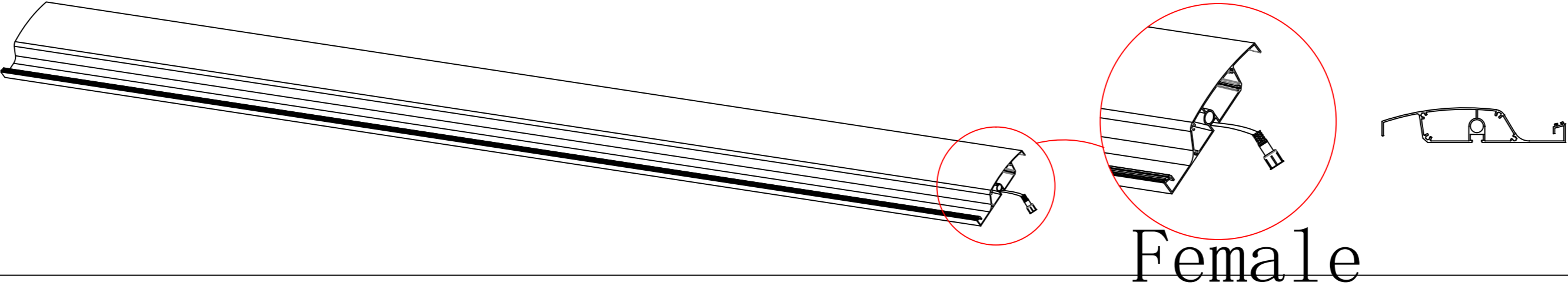
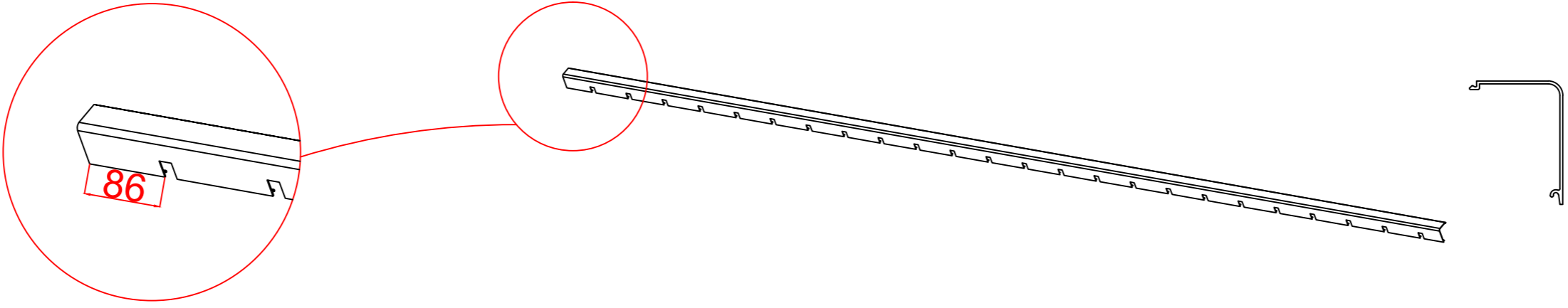
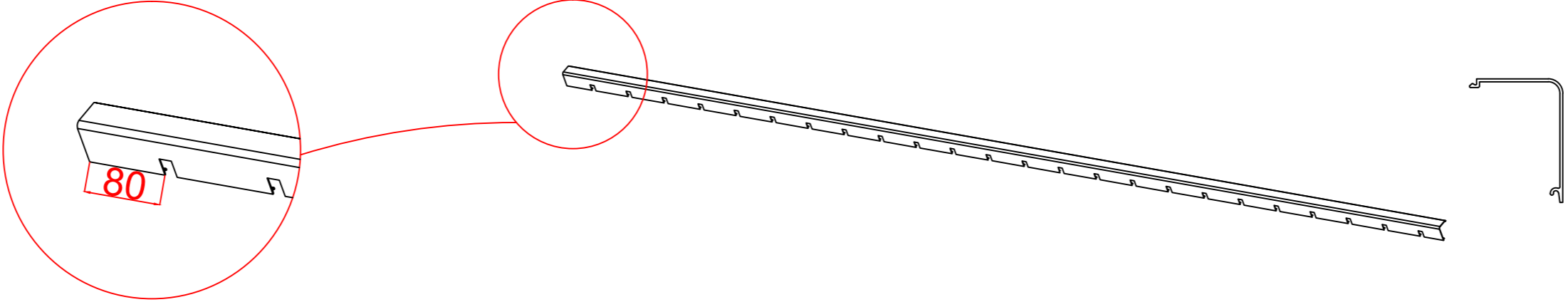
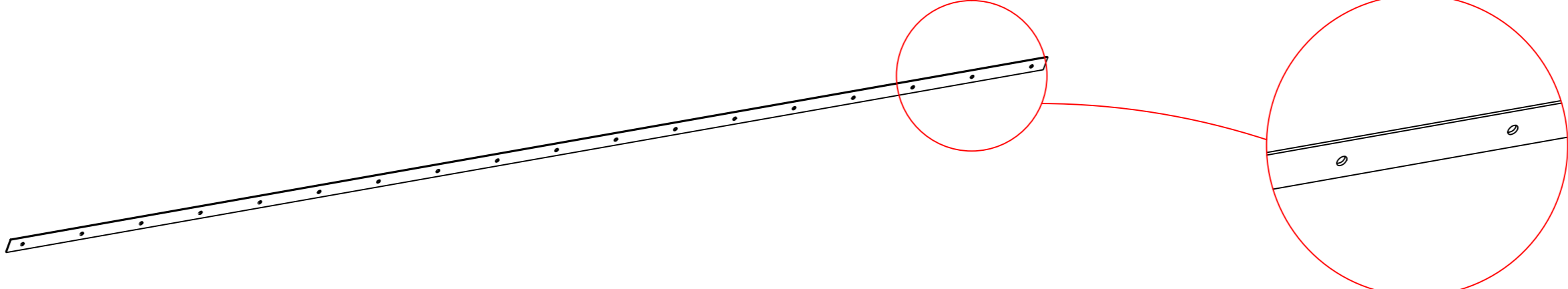
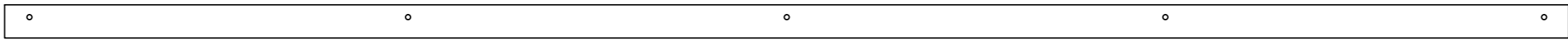


3×4m

	Item	Qty	Item	Qty	Item	Qty	Item	Qty
Carton 1/4	3B-01/ 01B	2	3B-11	2	3B-12	2	3B-13	2
	3B-14	1	3B-18	1	3B-19	12	3B-20/ 20B	54
	3B-21	8	3B-23	18	3B-24	1	3B-30	1
	3B-31	1	3B-35	2	3B-40	2	3B-41	2
	3B-42a	10	3B-42b	8	3B-46a	1	3B-46b	1
	3B-48	23	3B-48B	4	3B-49	23	3B-49B	4
	3B-51	216	3B-53	5	3B-54	5	3B-55	2
	3B-62	8	3B-57	4	3B-58	1	3B-59	1
	3B-60	1	3B-39	8	3B-22	12		
Carton 2/4	3B-02	1	3B-03	1	3B-04	2	3B-56	1
	3B-08A/B	2	3B-09	2				
Carton 3/4	3B-06	18						
Carton 4/4	3B-06	5	3B-07	4				





Item	Drawings	Qty
3B-01		1
3B-01B		1
3B-02		1
3B-03		1
3B-04		2
3B-06		23
3B-07		4
3B-08A		1
3B-08B		1
3B-09		2
3B-56		1



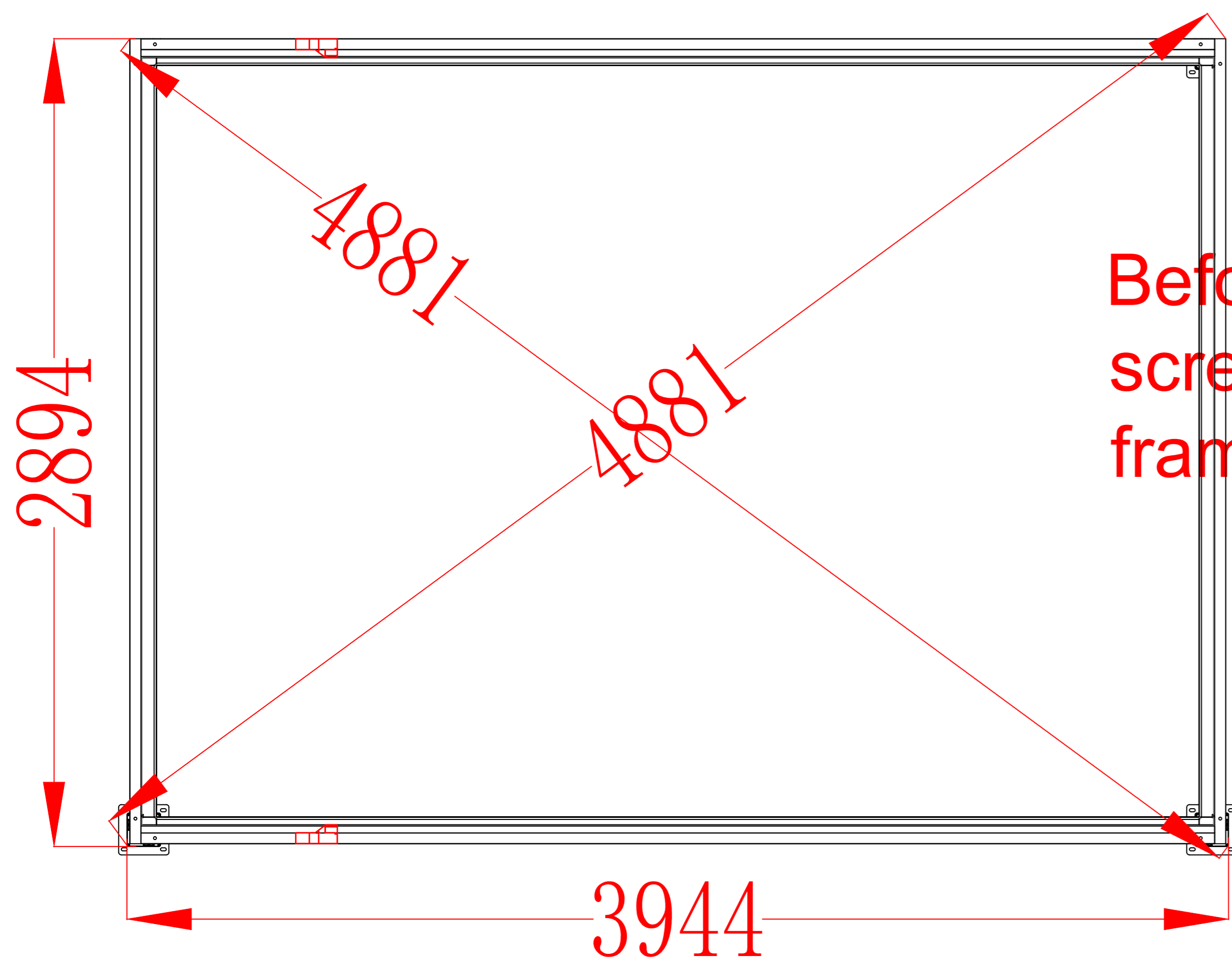
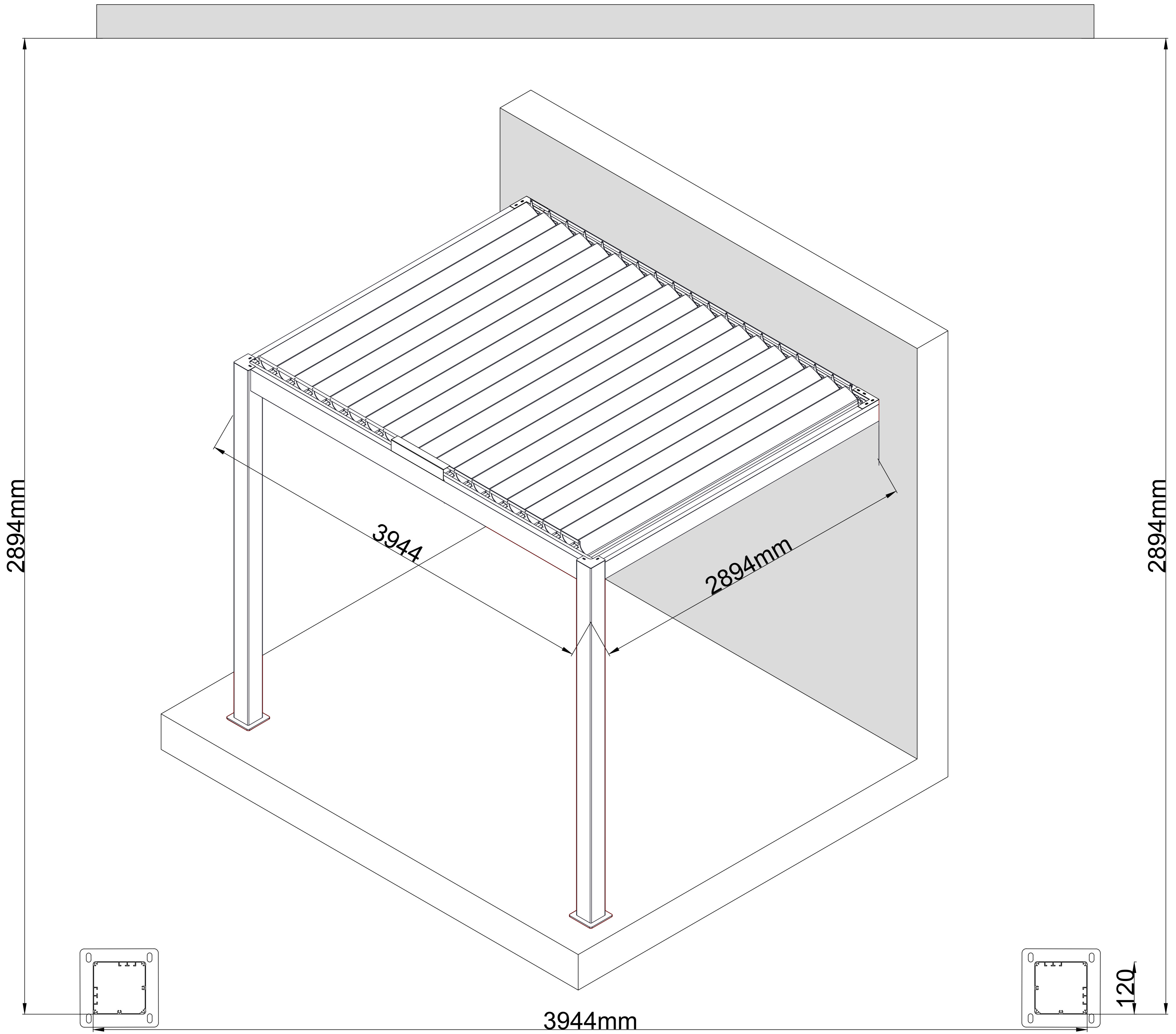


Item	Drawings	Qty
3B-11		2
3B-12		2
3B-13		2
3B-14		1
3B-18		1
3B-19	 M8*20	12+2
3B-20	 5-12-M4	50+2
3B-20B	 5-16-M4	4+2
3B-21	 M10*80	8
3B-22	 M5.5*60	12+2
3B-23	 M4.2*19	18+2
3B-24		1
3B-30		1
3B-31		1
3B-35		2
3B-39	 M8*100	8

Item	Drawings	Qty
3B-40		2
3B-41		2
3B-42a	 M6*16	10
3B-42b	 M6*16 ^P	8
3B-46a		1
3B-46b		1
3B-48		23
3B-48B		4
3B-49		23
3B-49B		4
3B-51	 M4.2*25	216+4
3B-53		5
3B-54	 M4.2*25	5
3B-55		2
3B-57		4
3B-58		1

Item	Drawings	Qty
3B-59	 M5*20	1
3B-60	 M4.2*19/8pcs	1
3B-62	 M14*75 M10*100	8





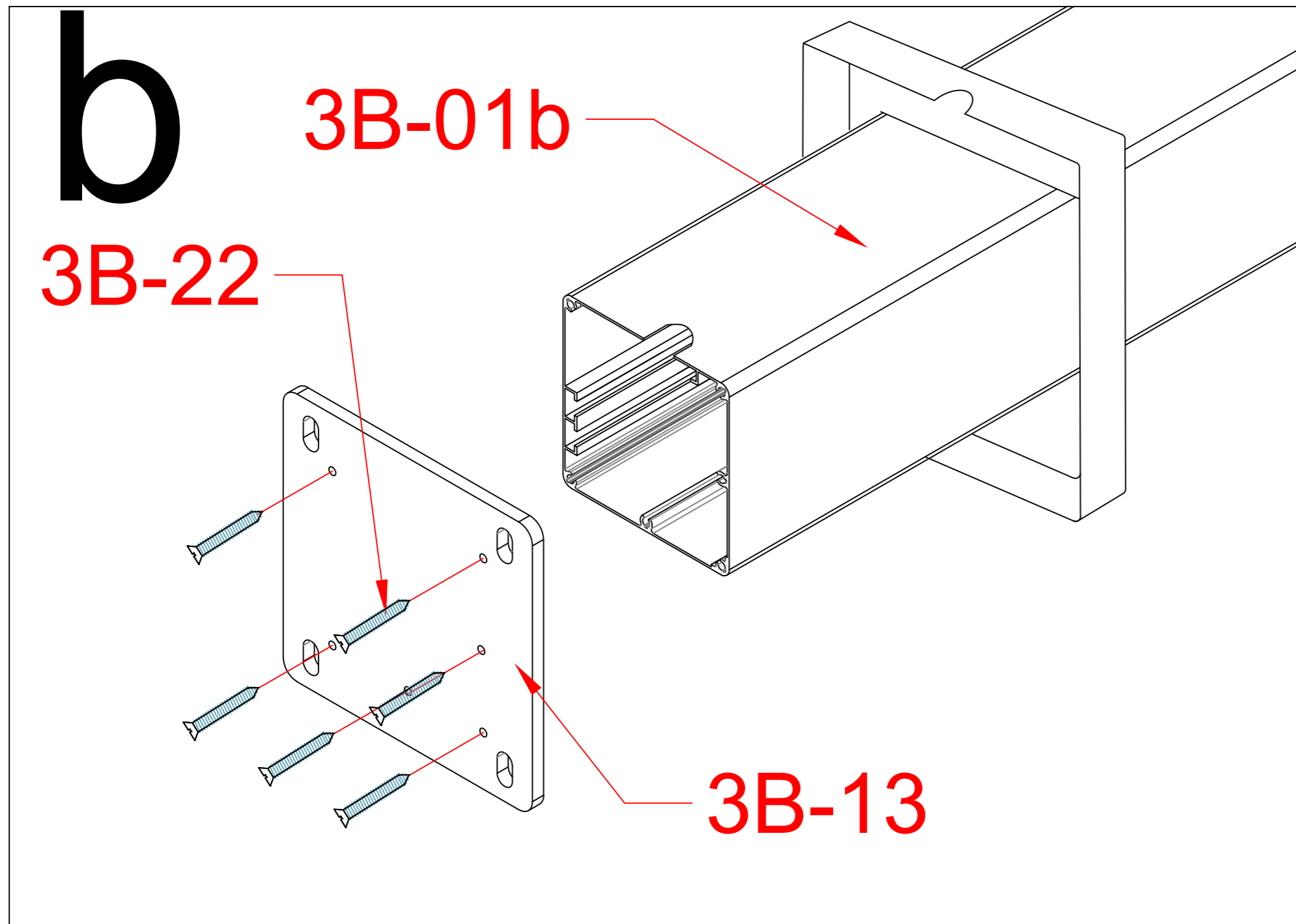
Before installing the bottom expansion screws, please be sure to correct the frame size

3*4-4

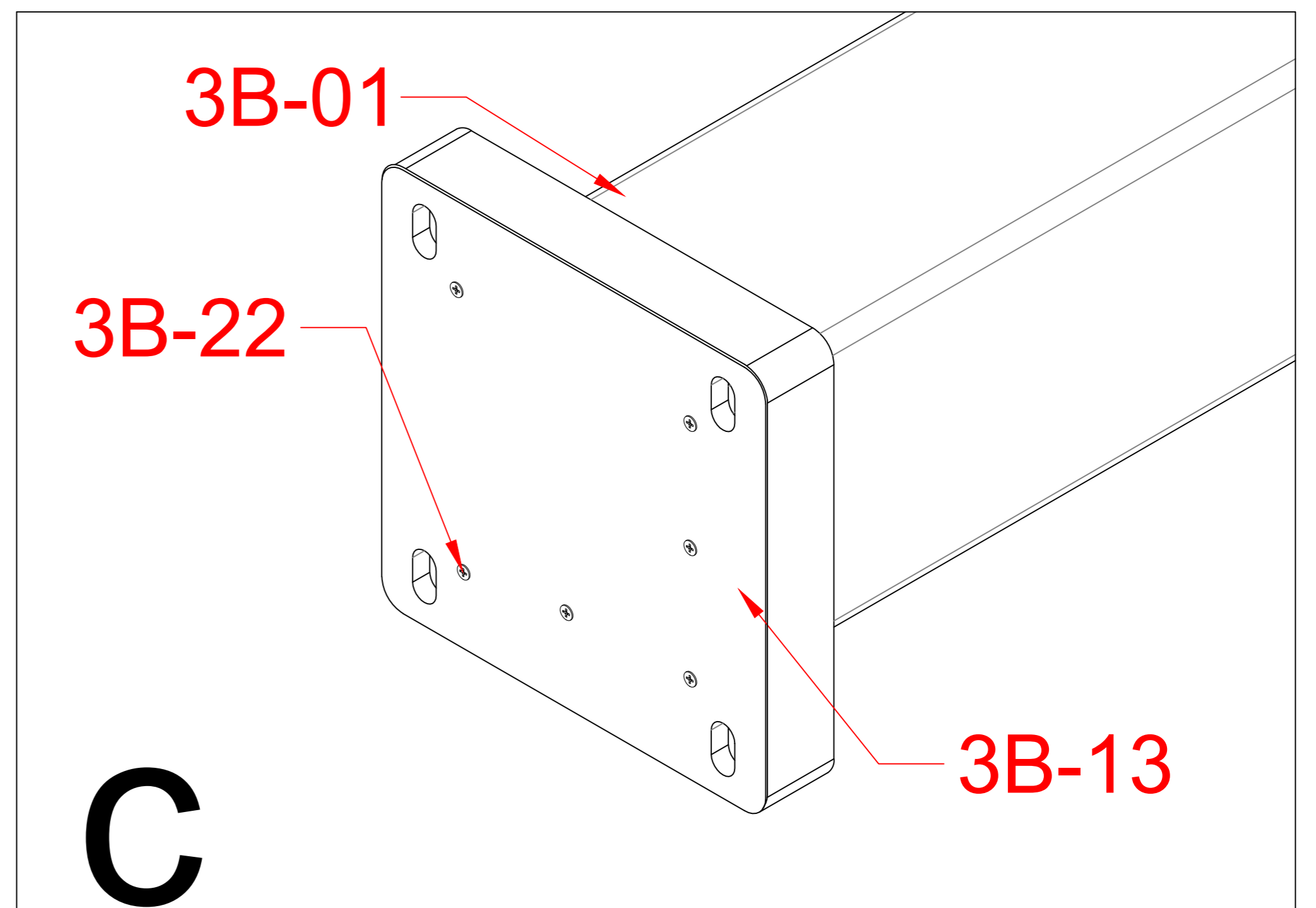
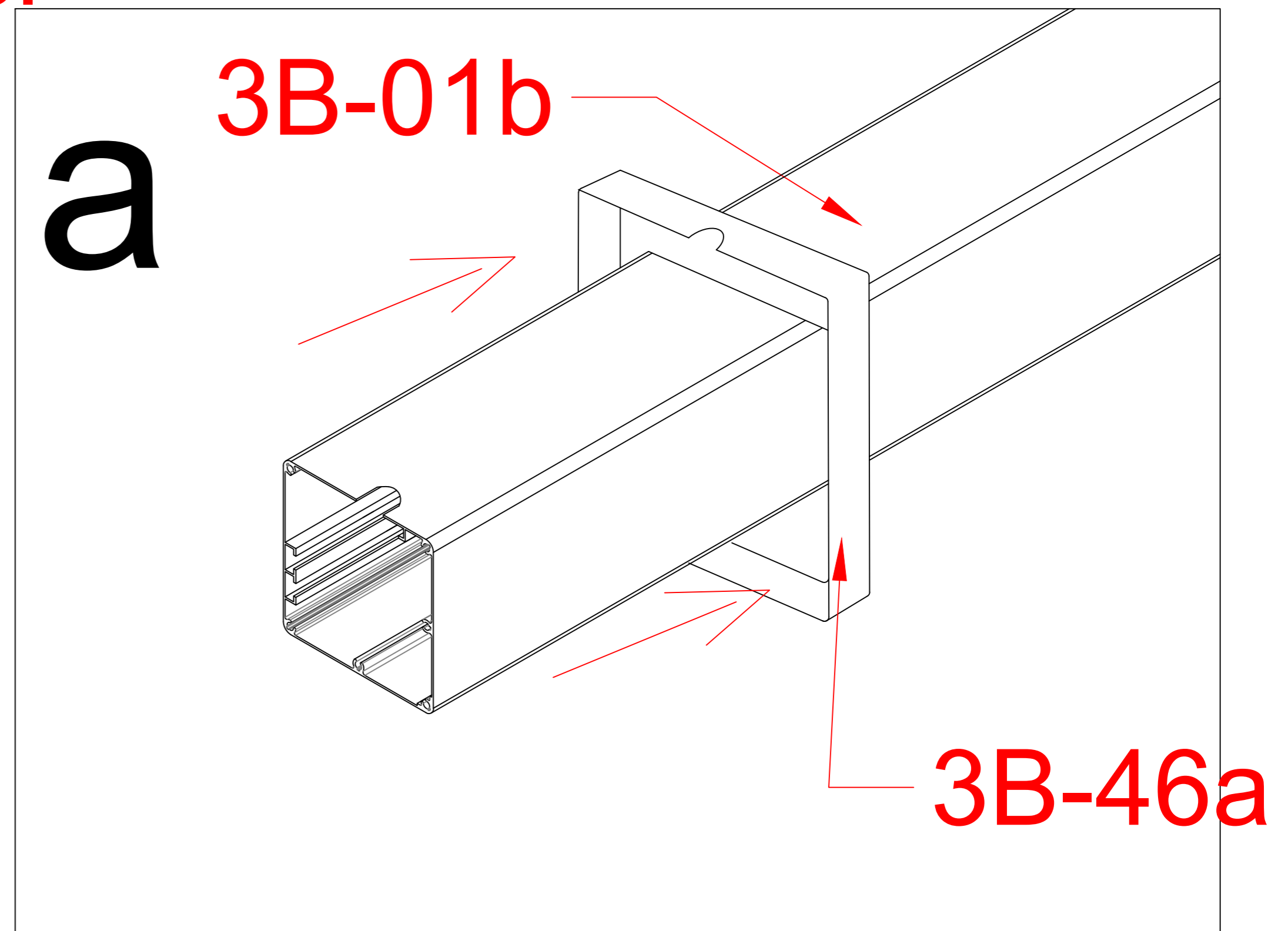




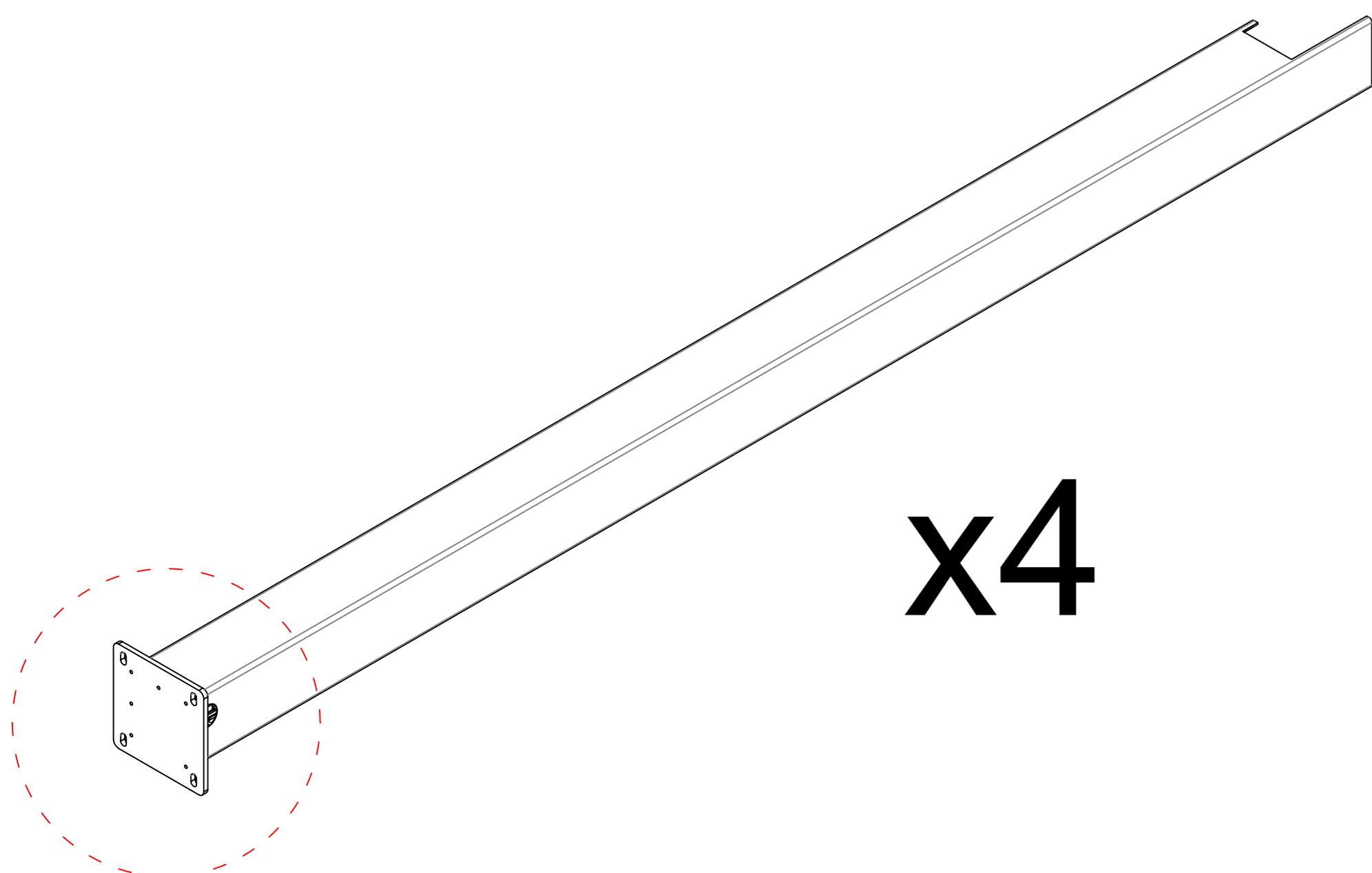
During the installation process, if you encounter any uncertainties, please refer to the installation instructions on the product page of the website.



Before installing the base plate, please connect the wires first

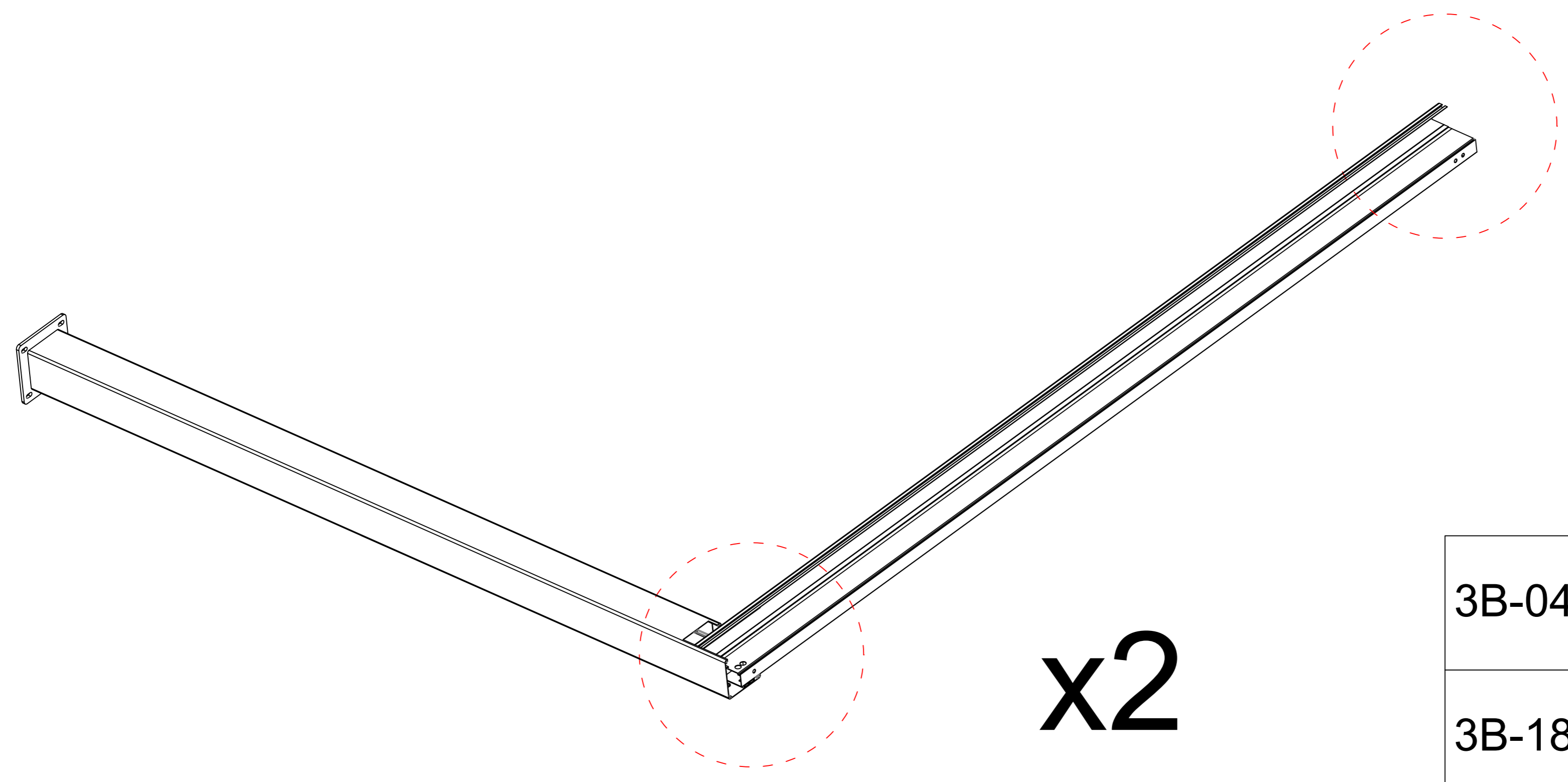
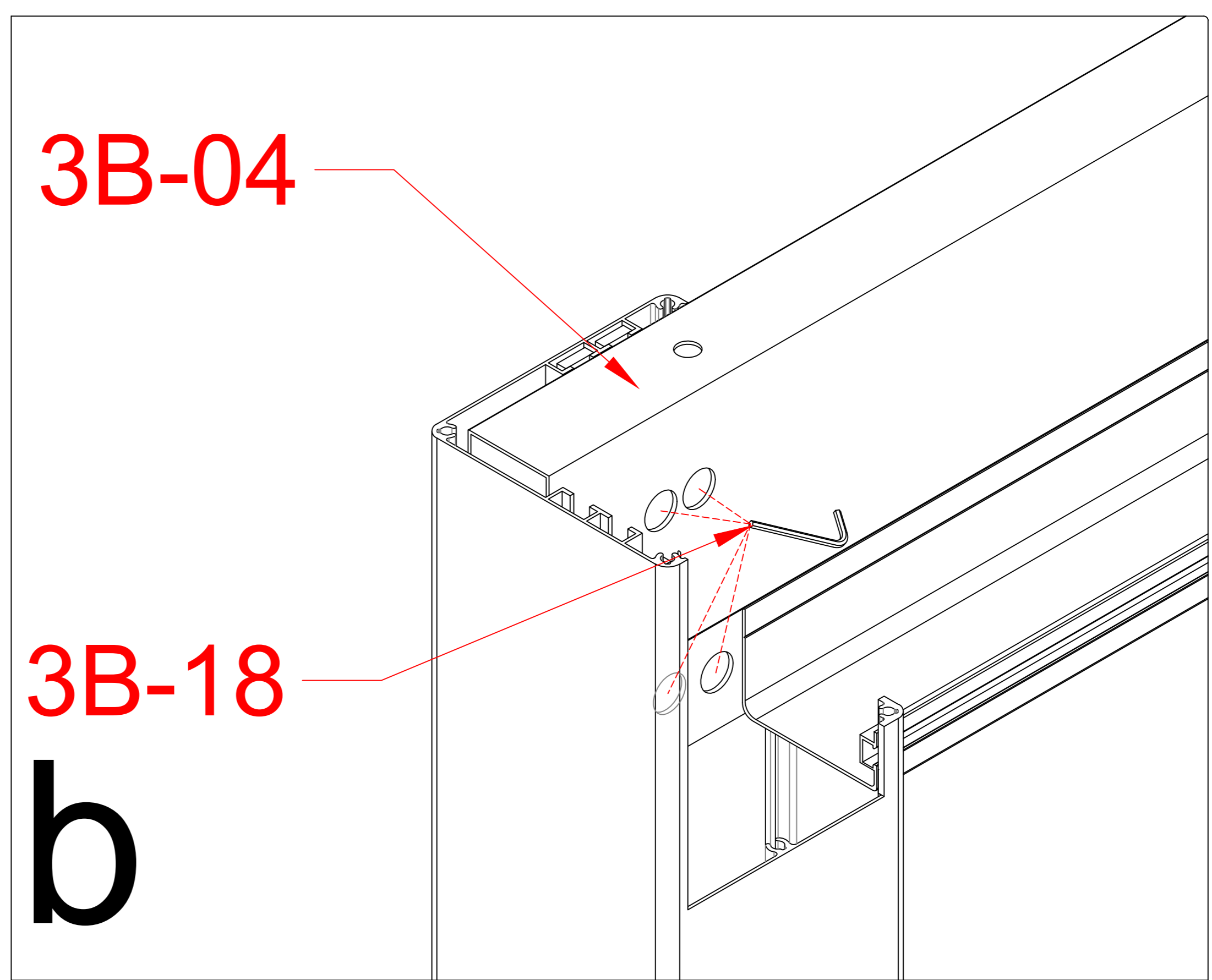
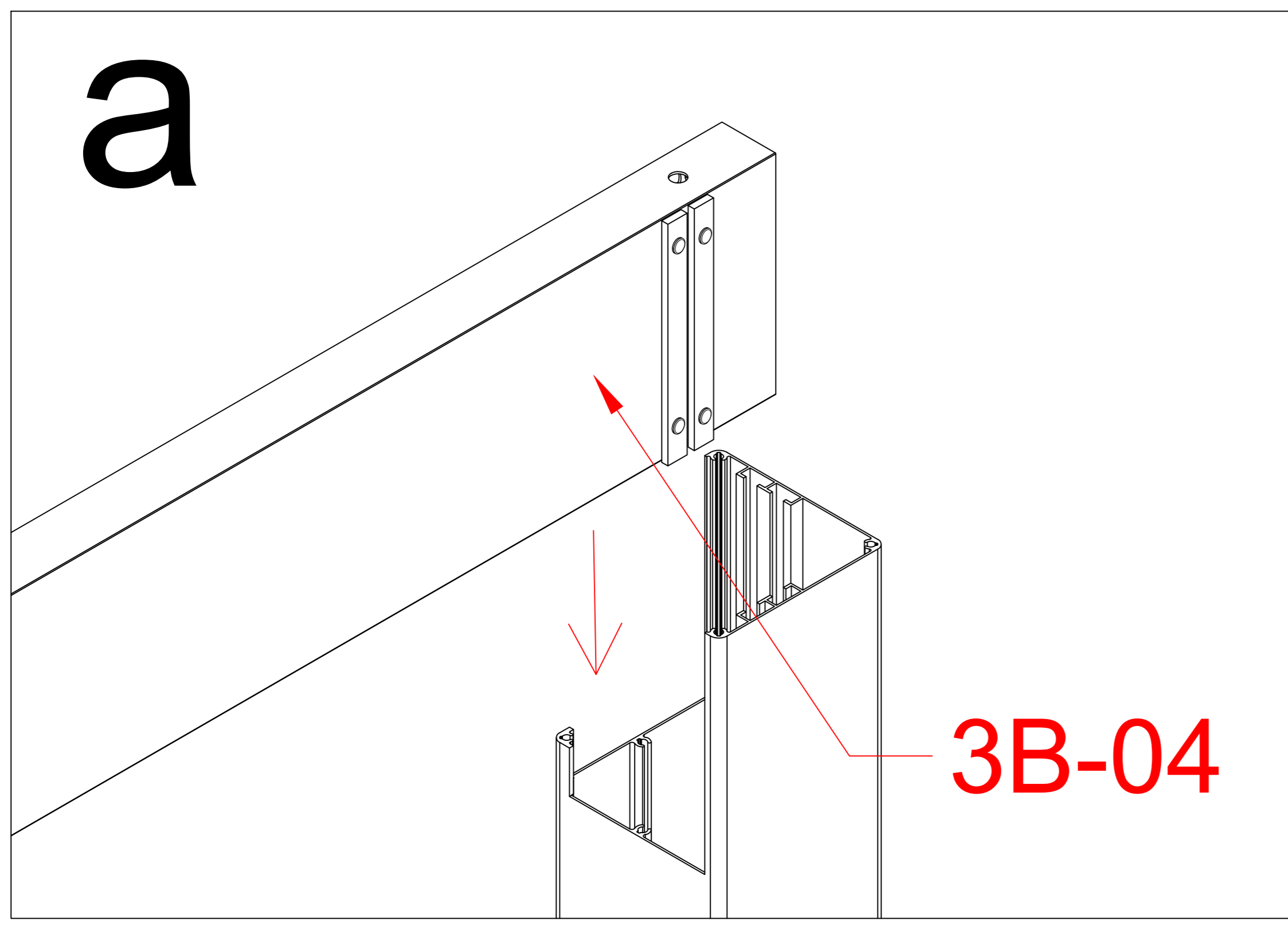


Post containing electrical wires, please use base plate 3B-46A.



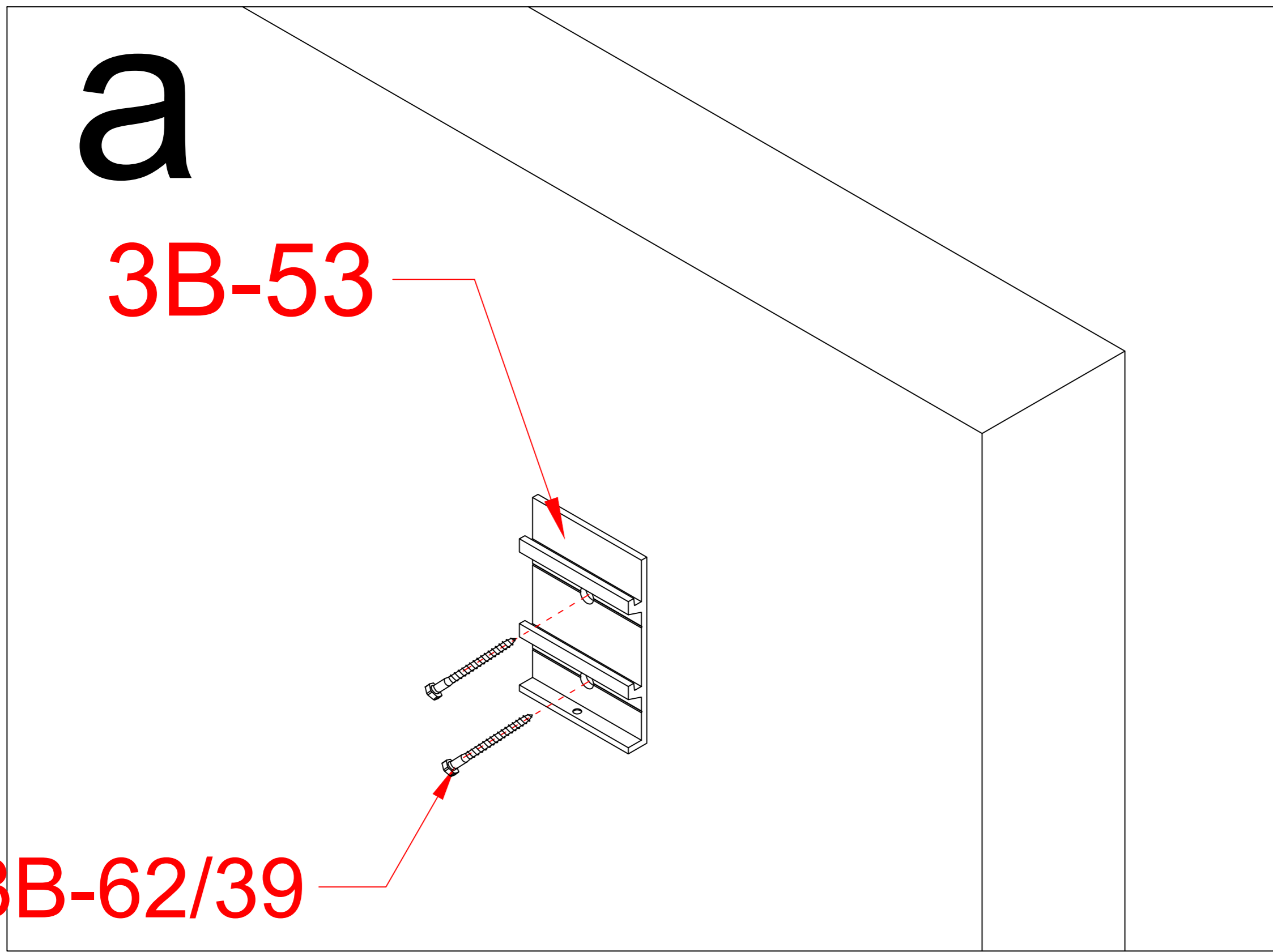
3B-46a		1
3B-46b		1
3B-01/ 01B		4
3B-13		4
3B-22	 M5.5*60	12



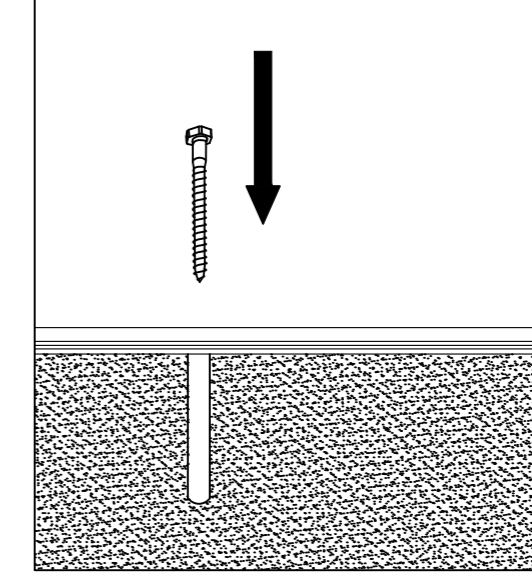
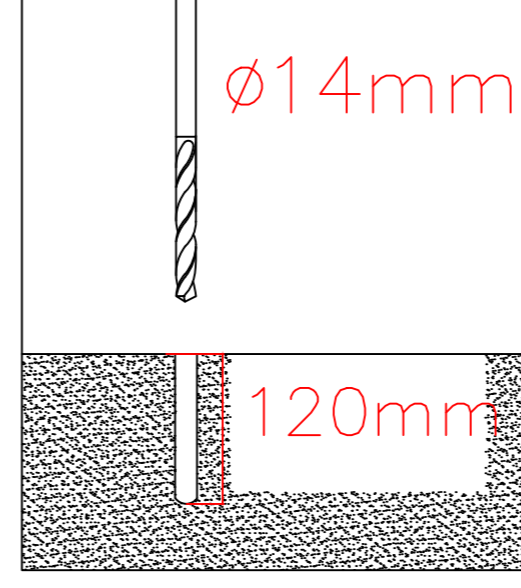


3B-04		2
3B-18		1

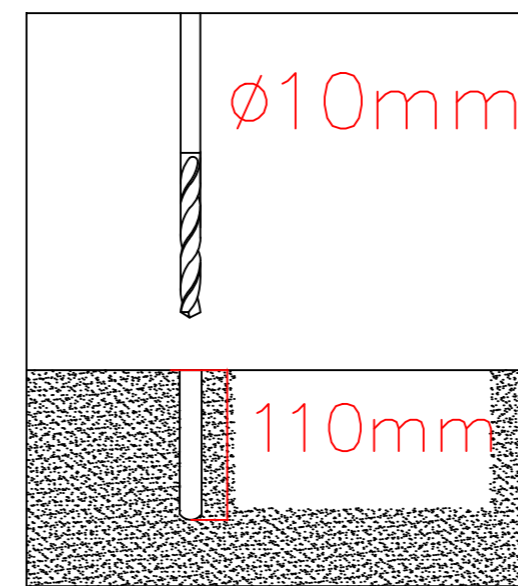




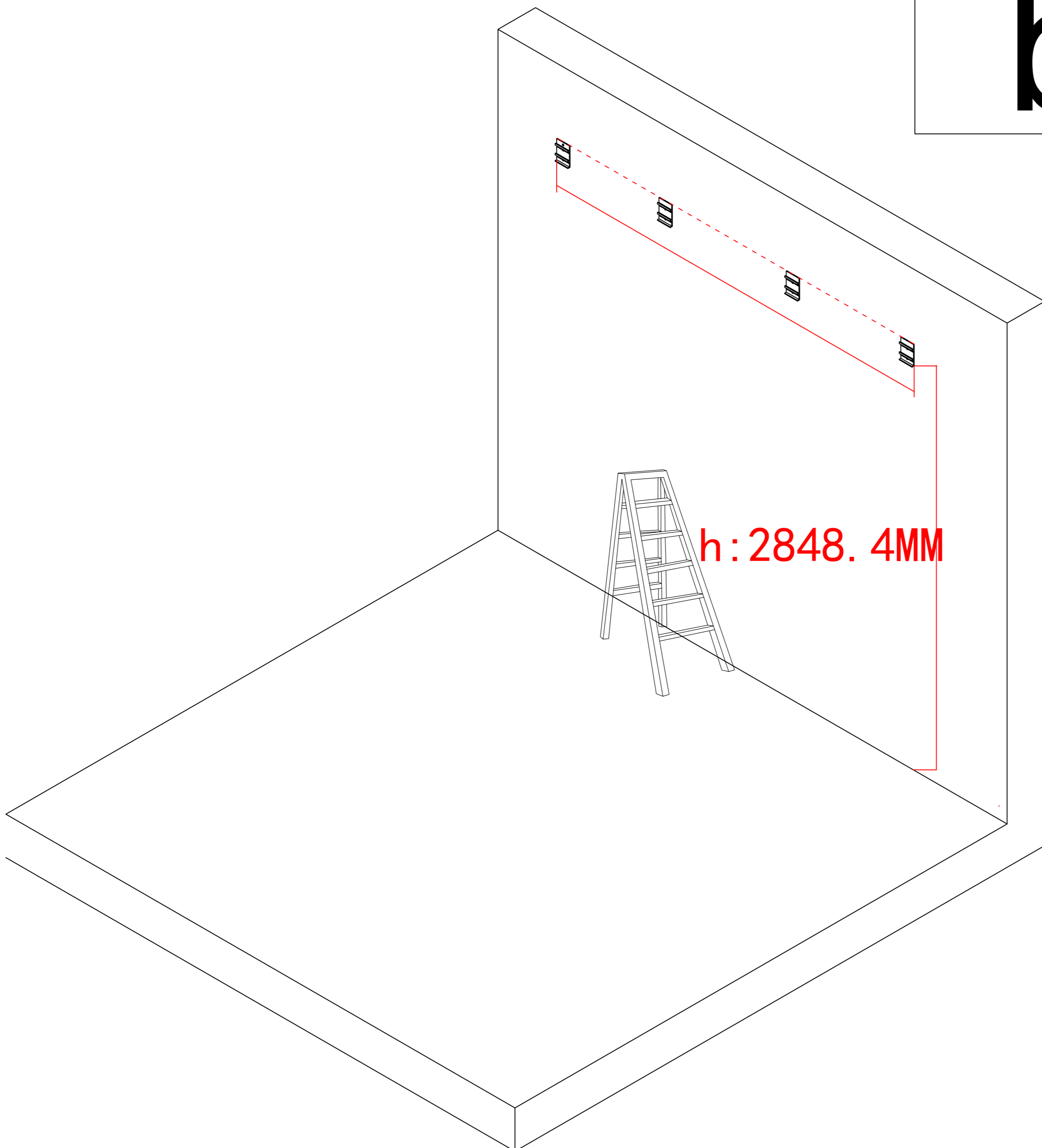
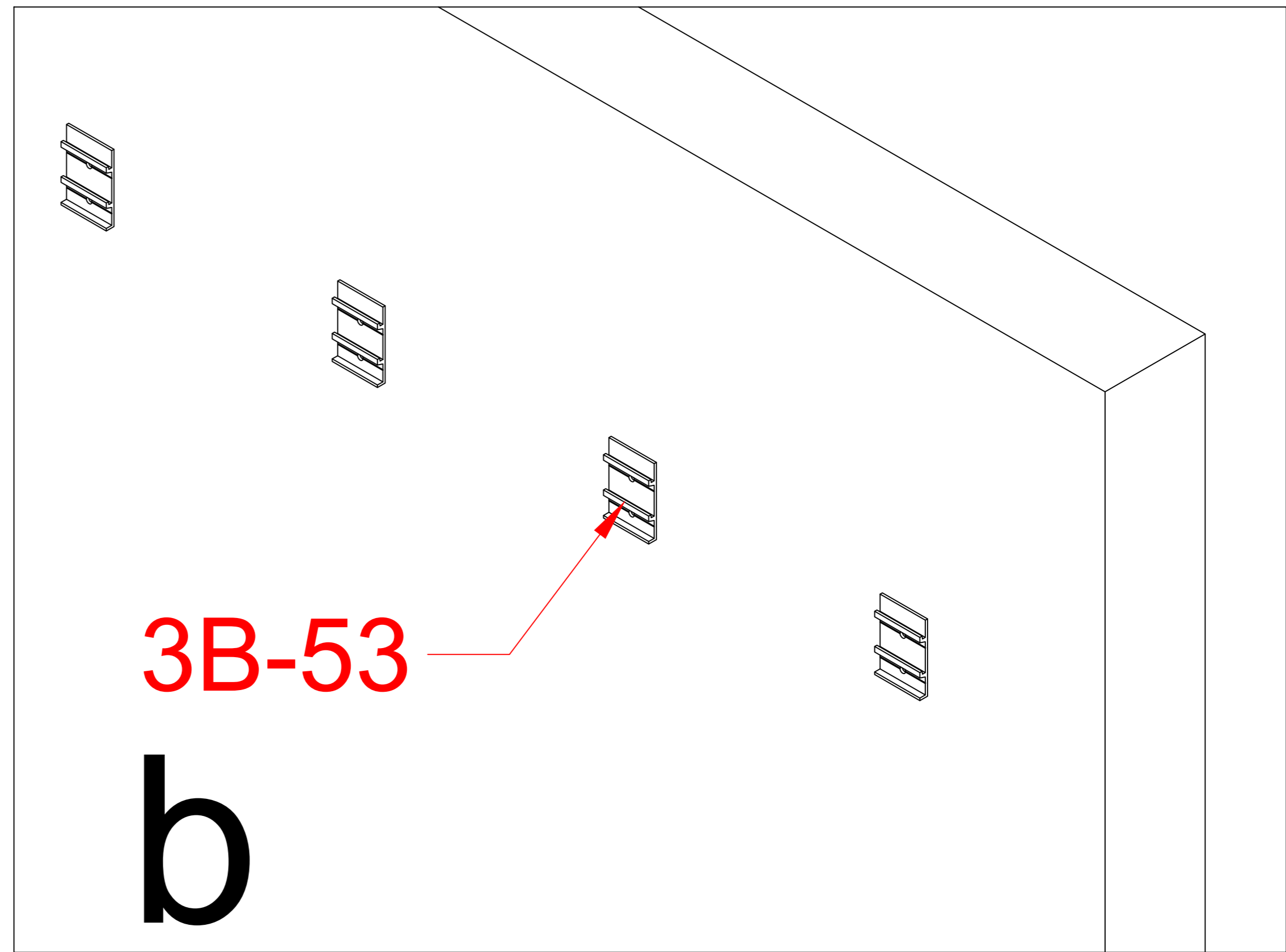
3B-62:

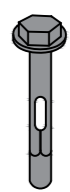
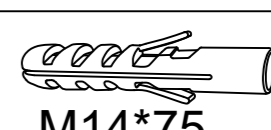
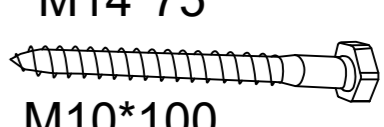
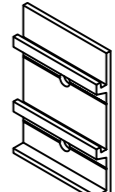


3B-39:



- Attention:**
1. Before installing here, please ensure that the wall is flat
 2. If it is a wooden wall, please use 3B-62, and if it is the Cement wall, please use 3B-39
 3. When installing on wooden walls, cap for expansion bolt does not need to be used.

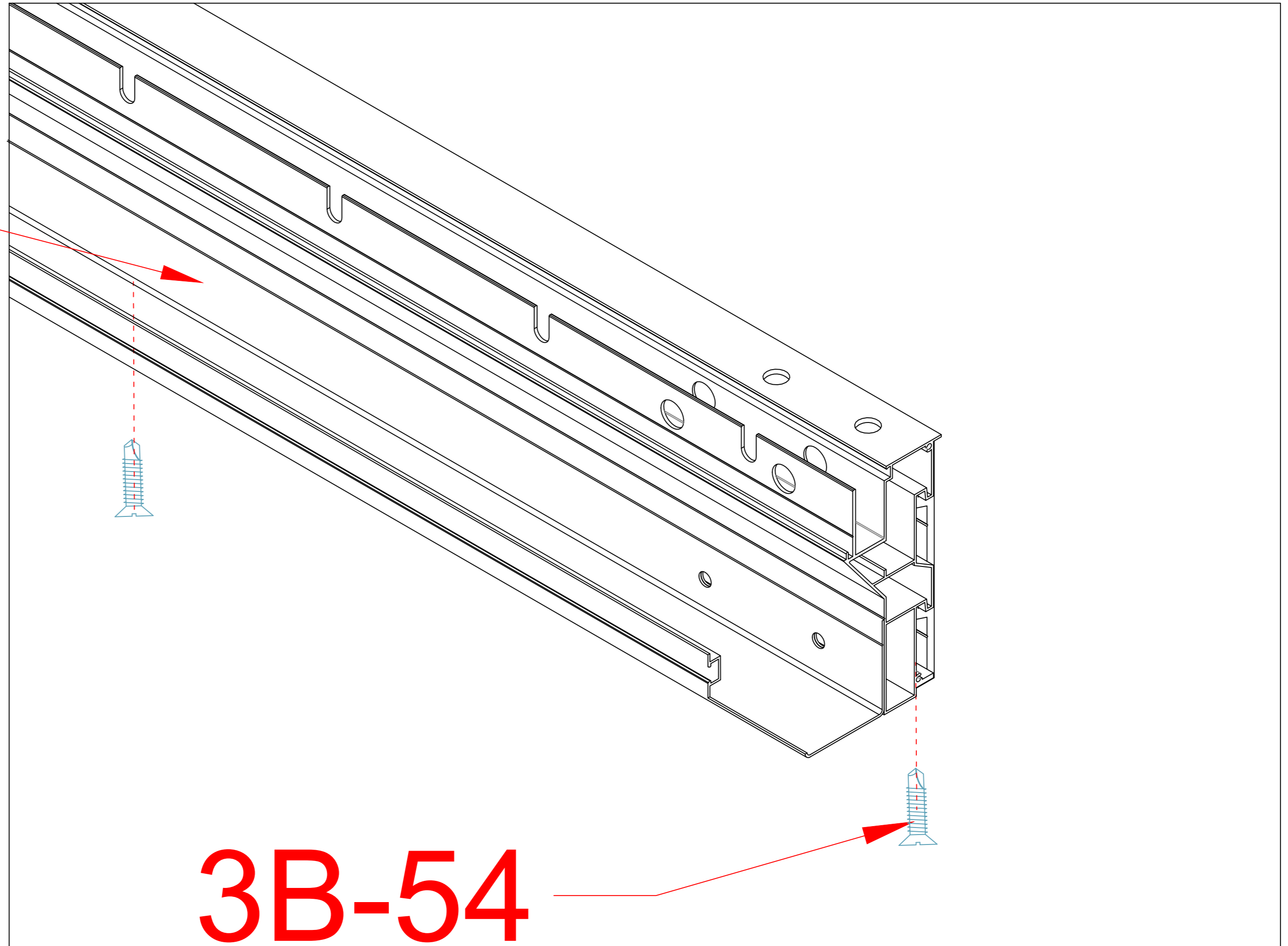


3B-39		8
3B-62	 M14*75  M10*100	8
3B-53		4

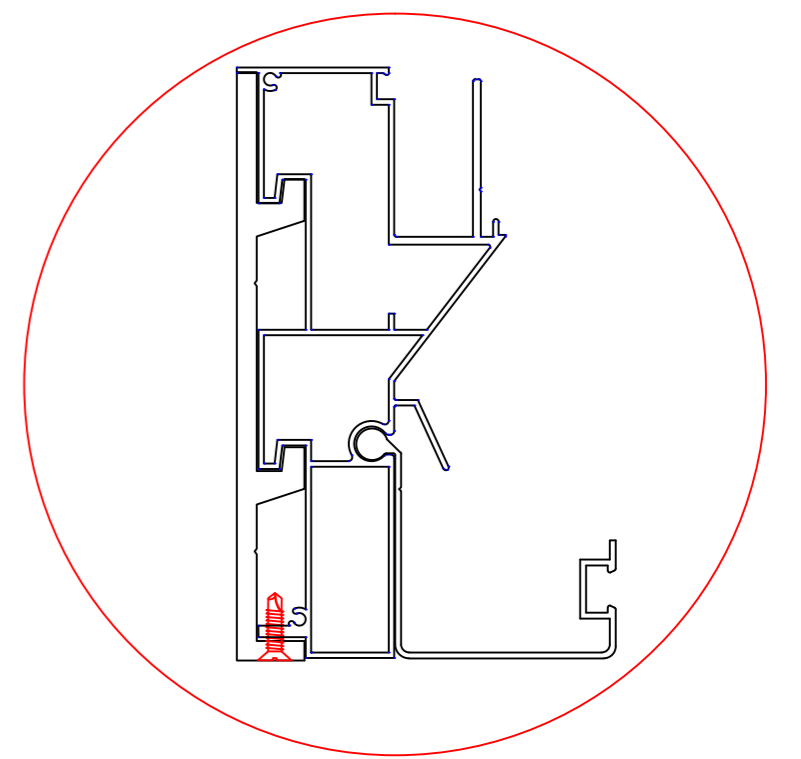




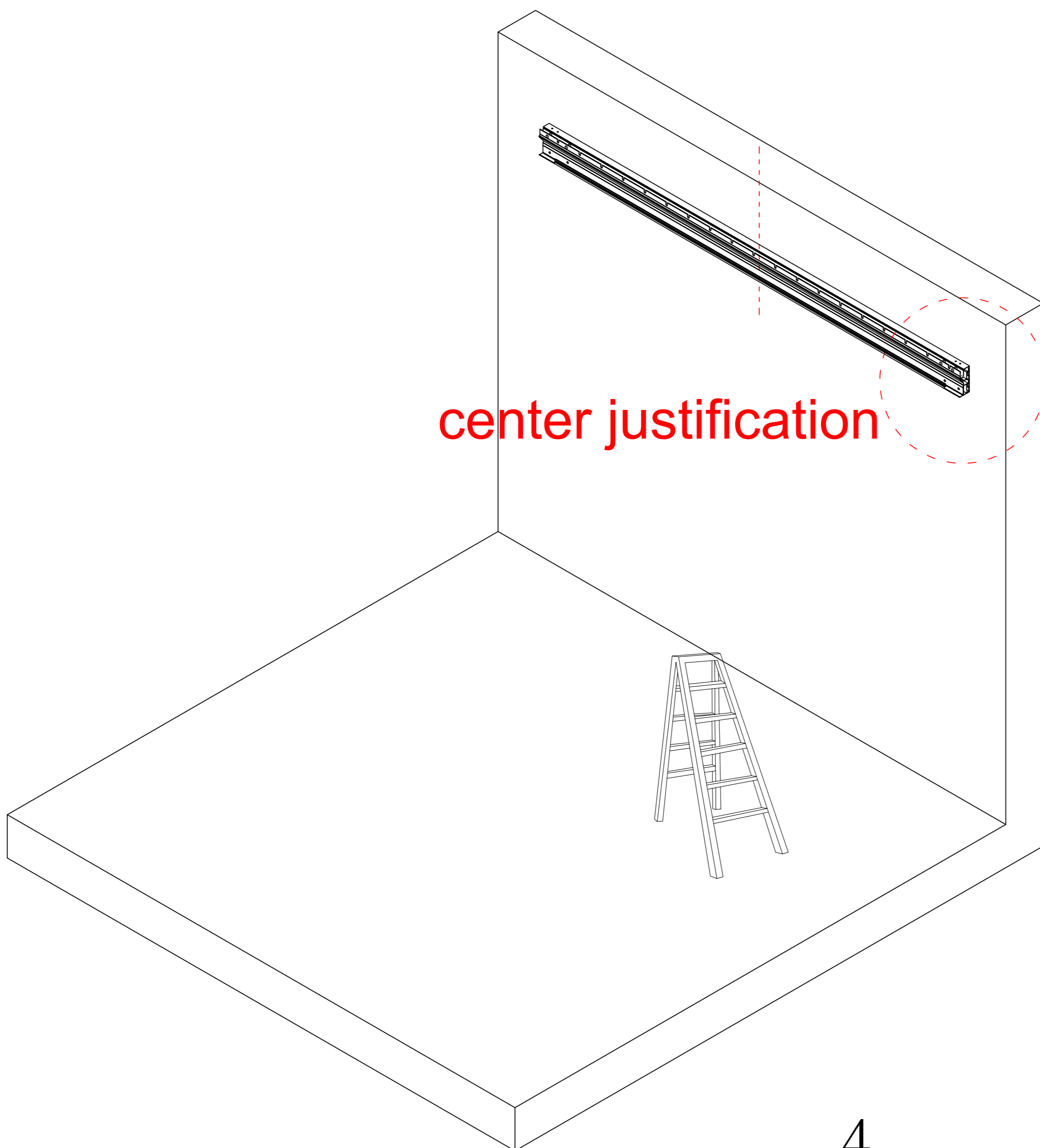
3B-02

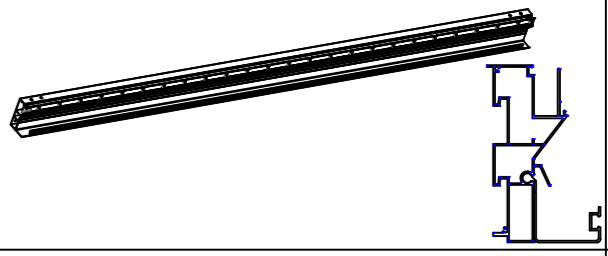
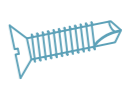


3B-54

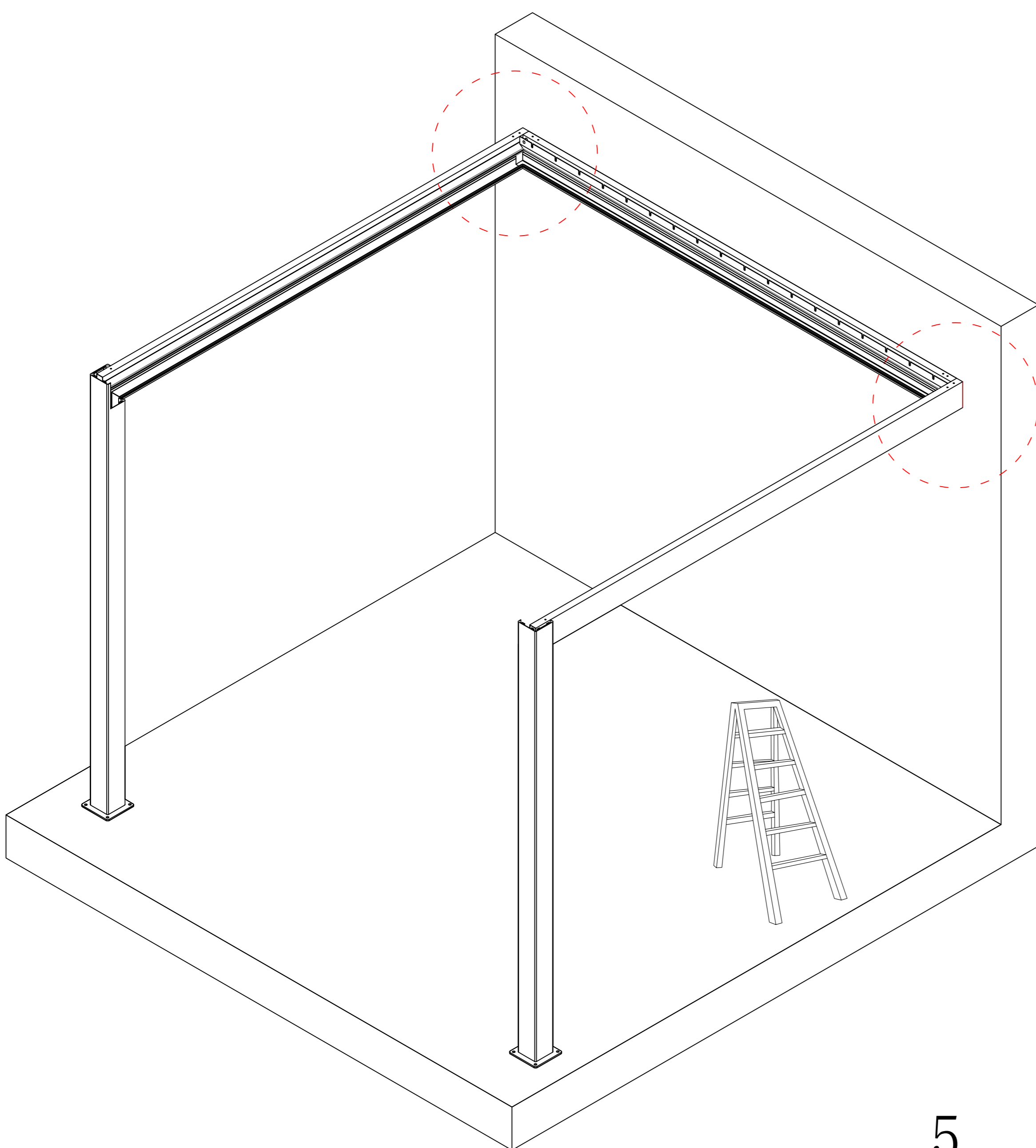
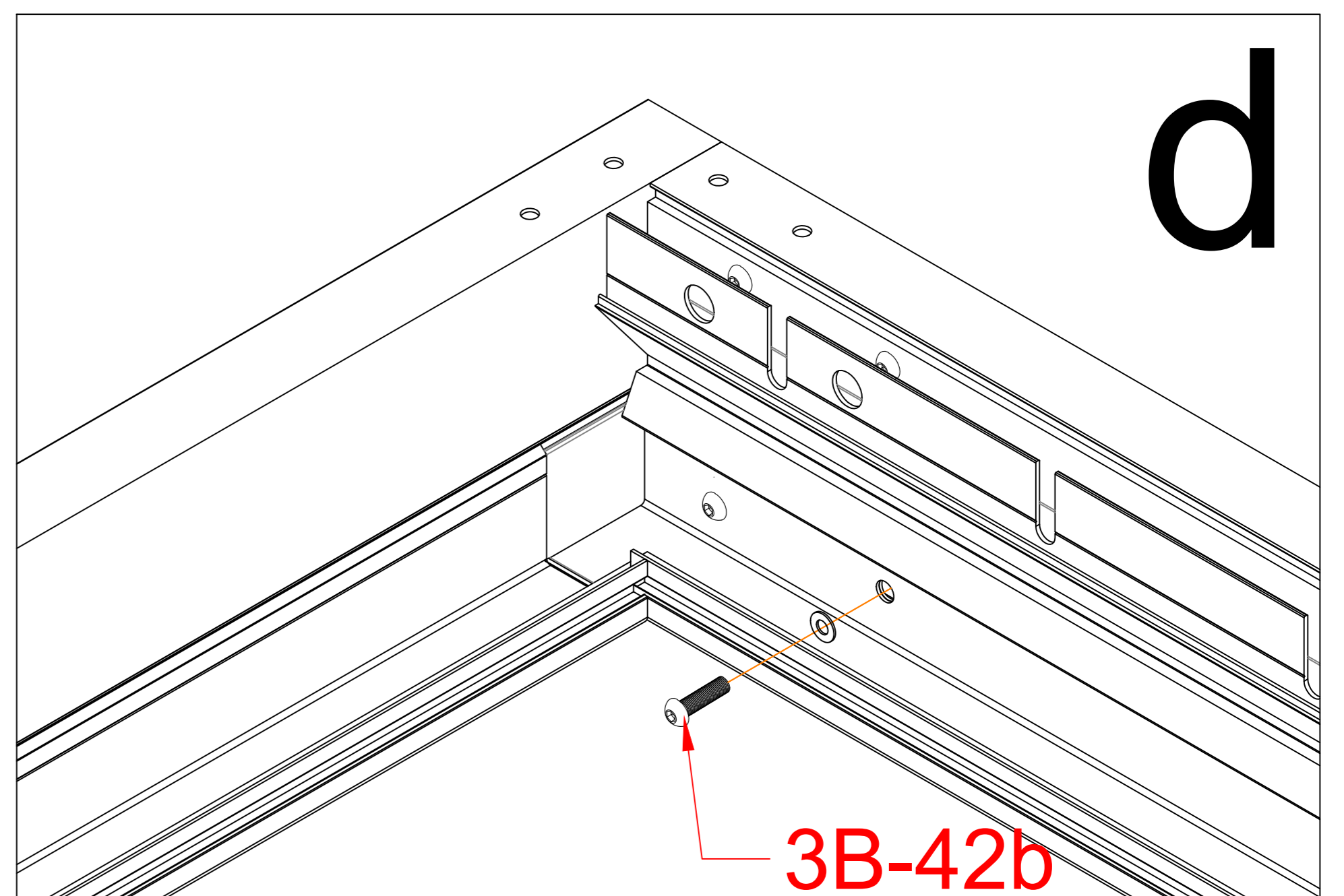
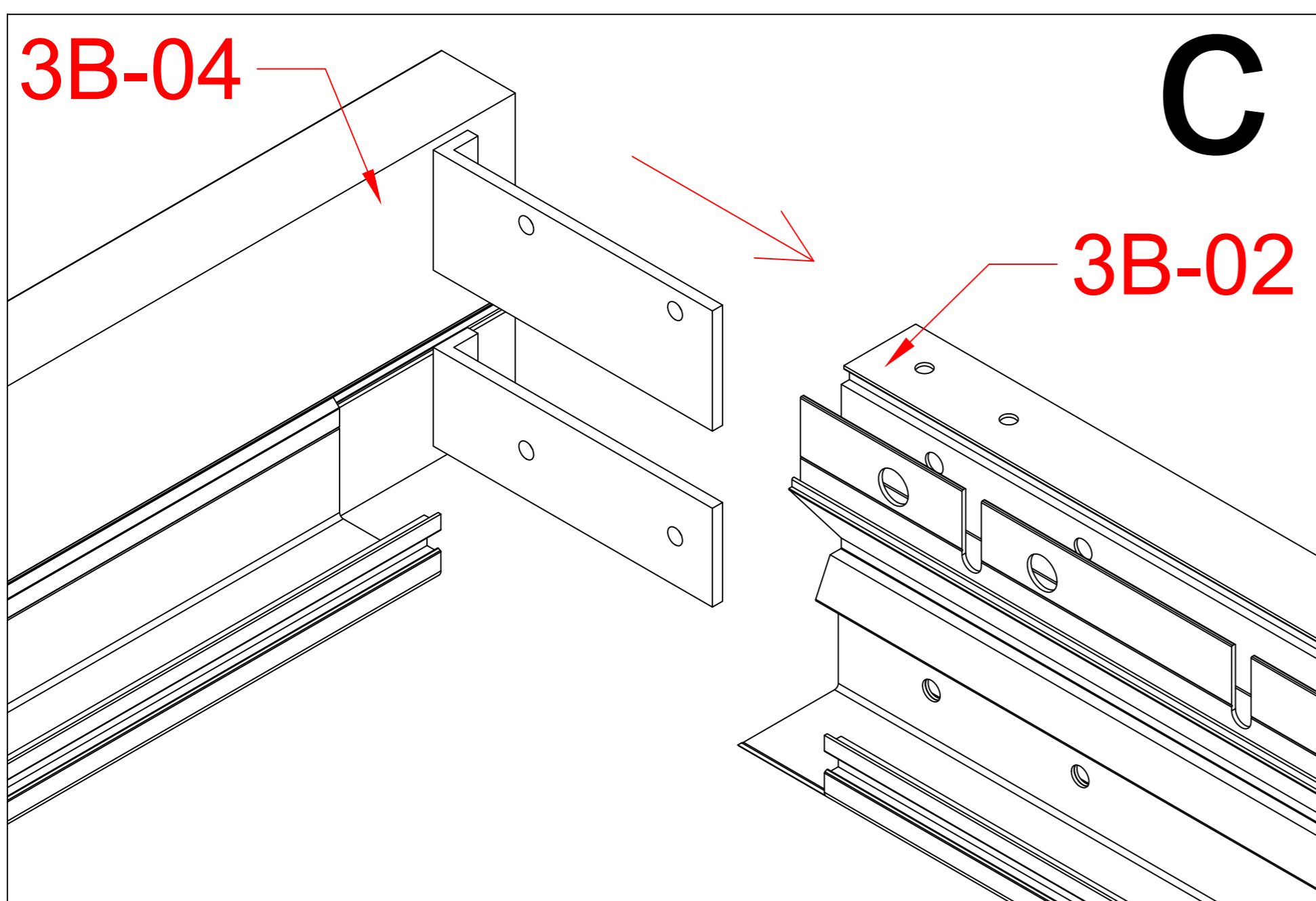
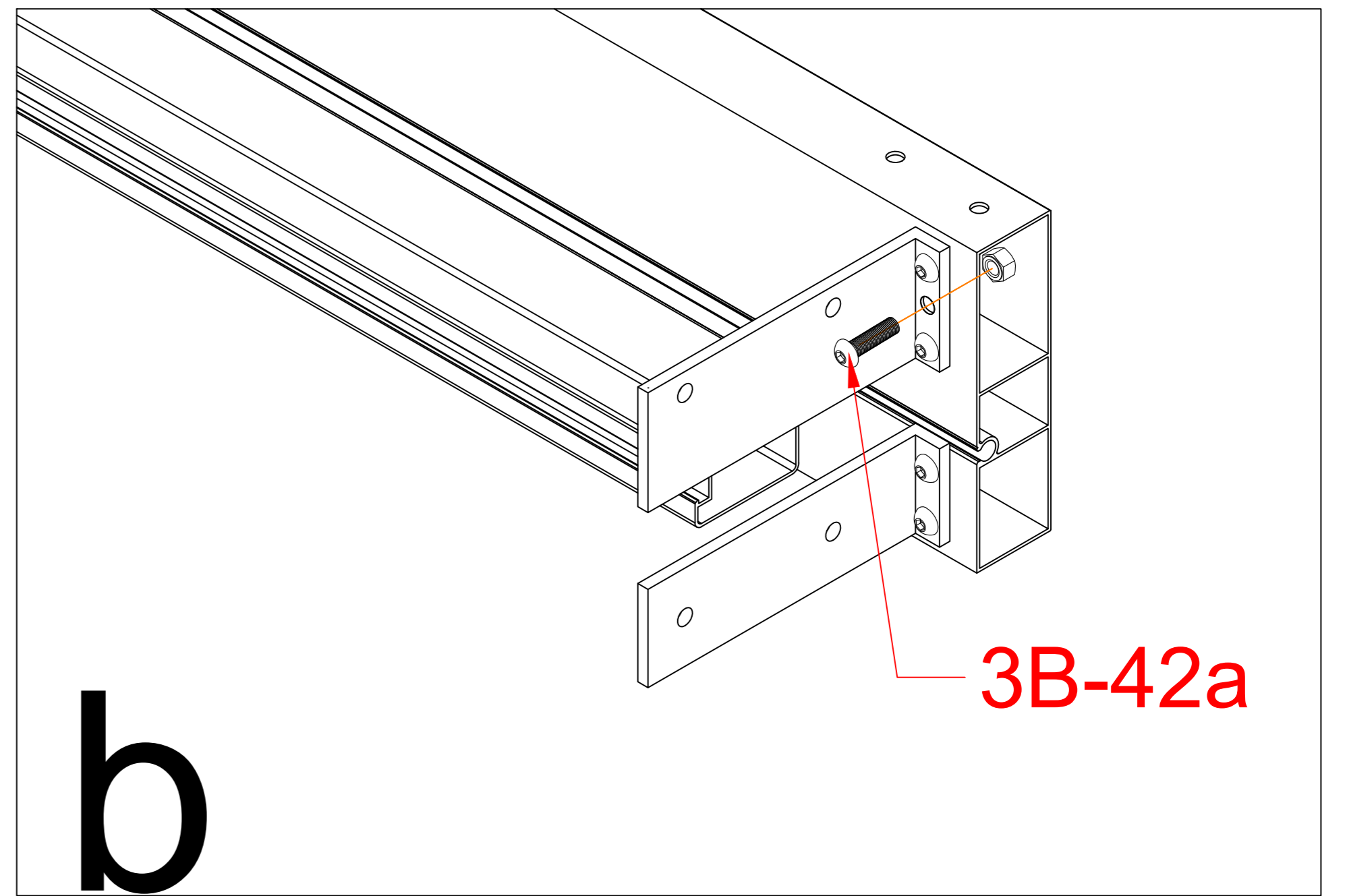
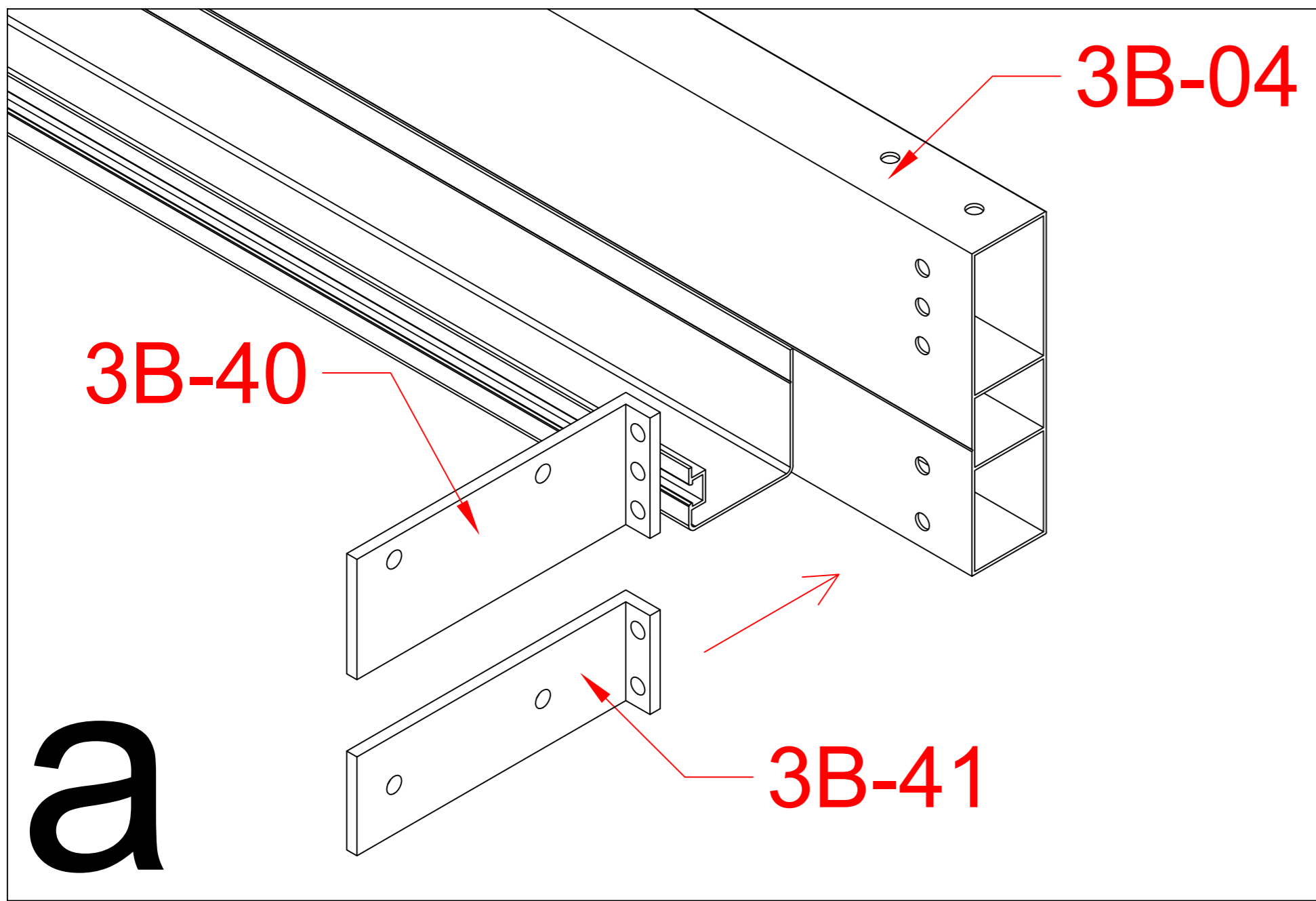


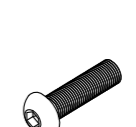
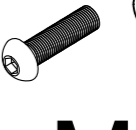
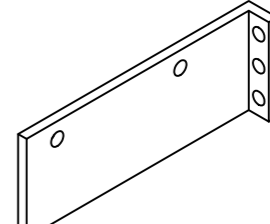
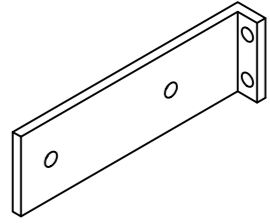
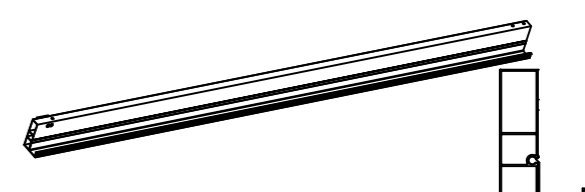
center justification



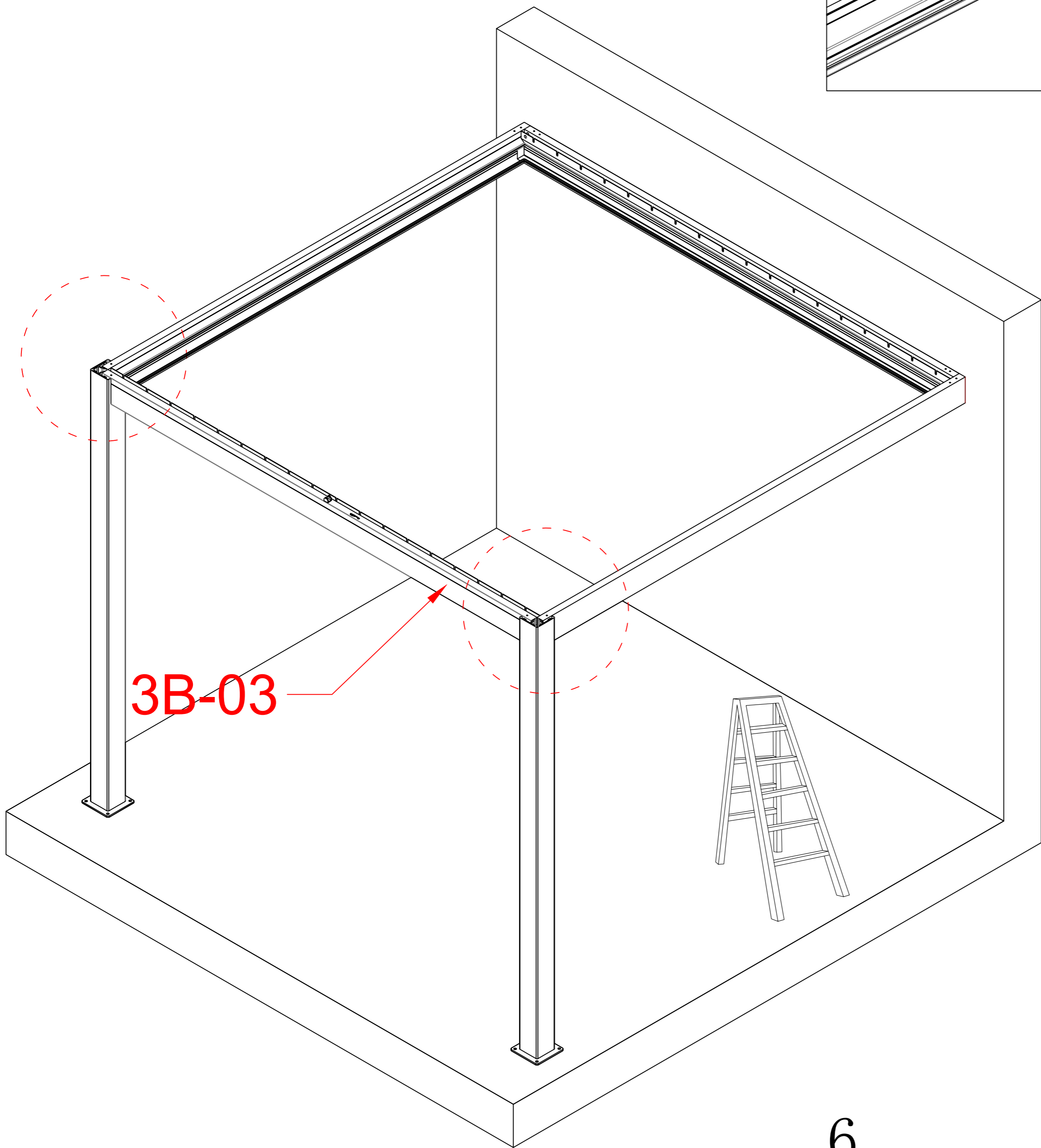
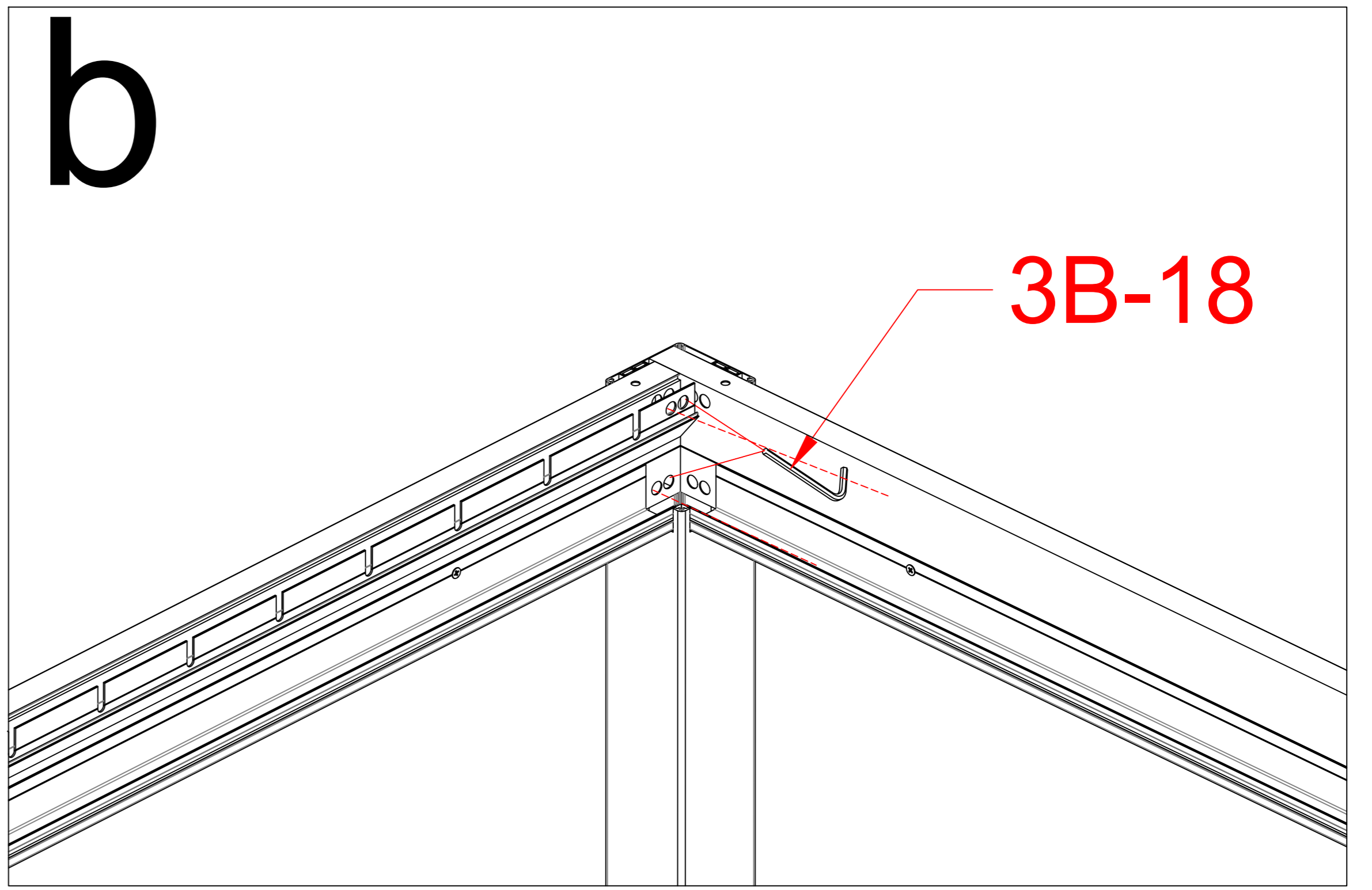
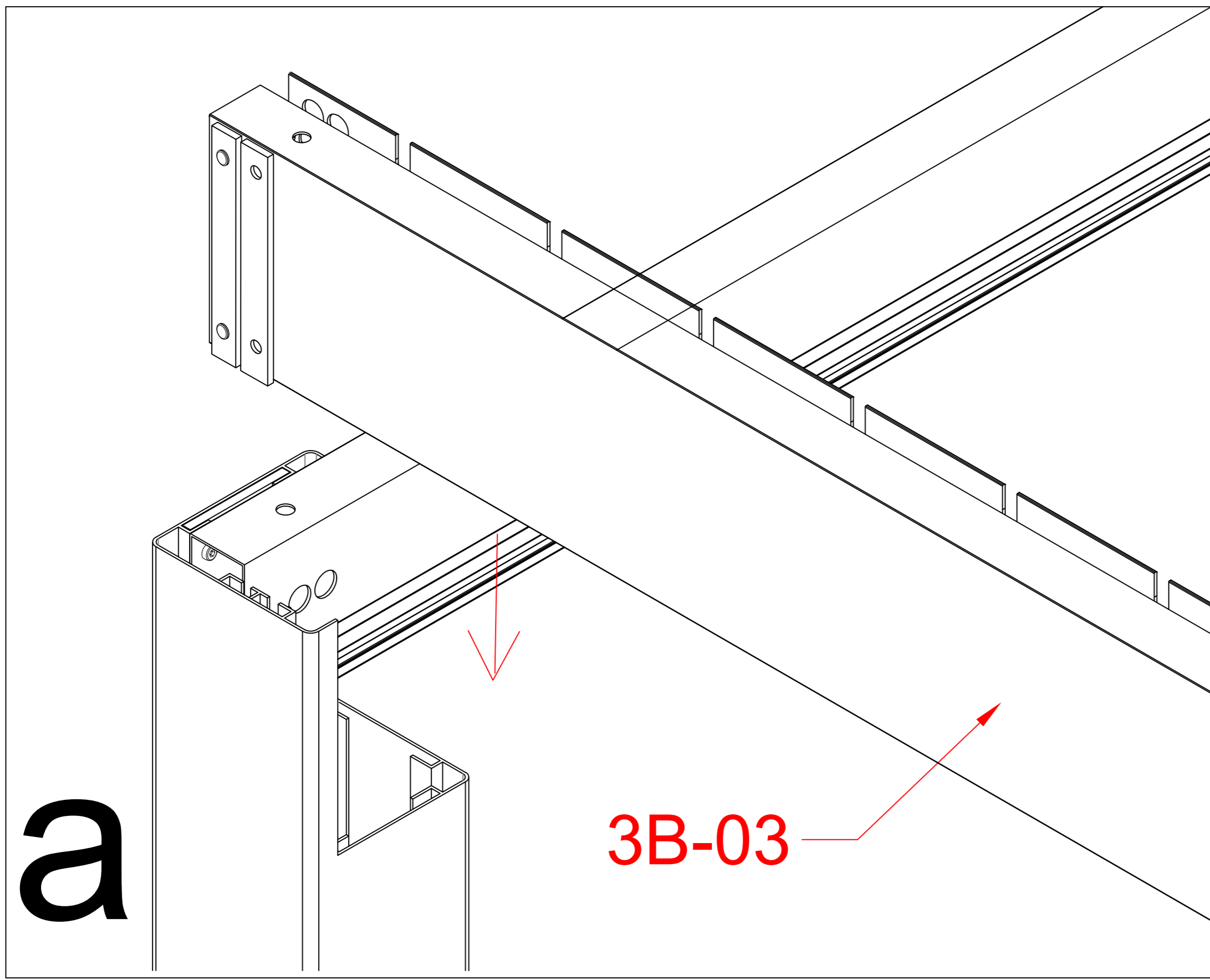
3B-02		1
3B-54	 M4.2*25	4

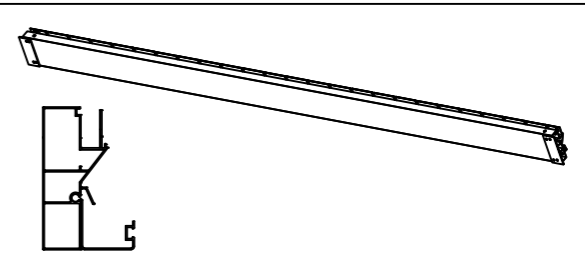




3B-42a	 M6*16	10
3B-42b	 M6*16 P	8
3B-40		2
3B-41		2
3B-04		2





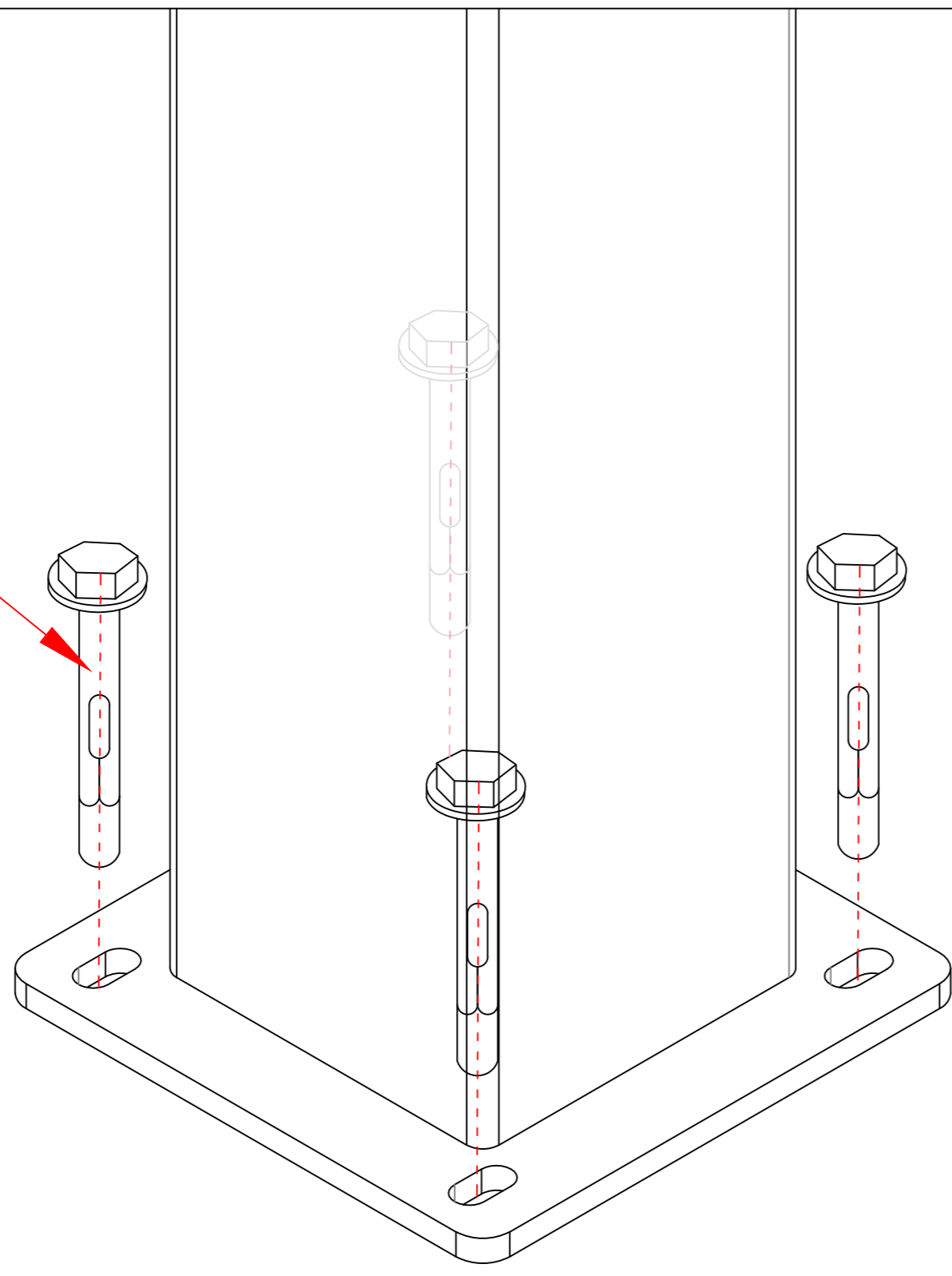
3B-02		1





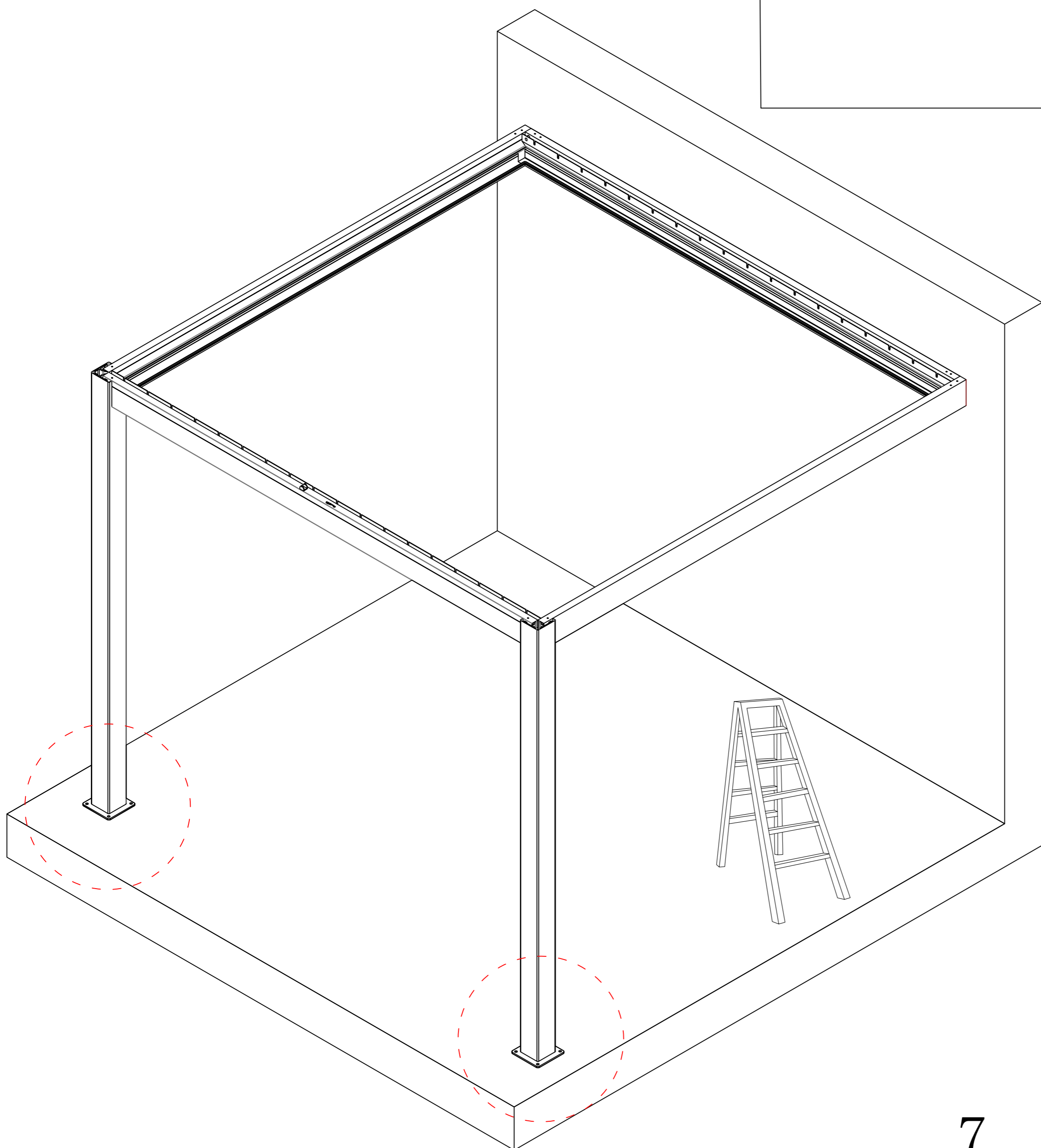
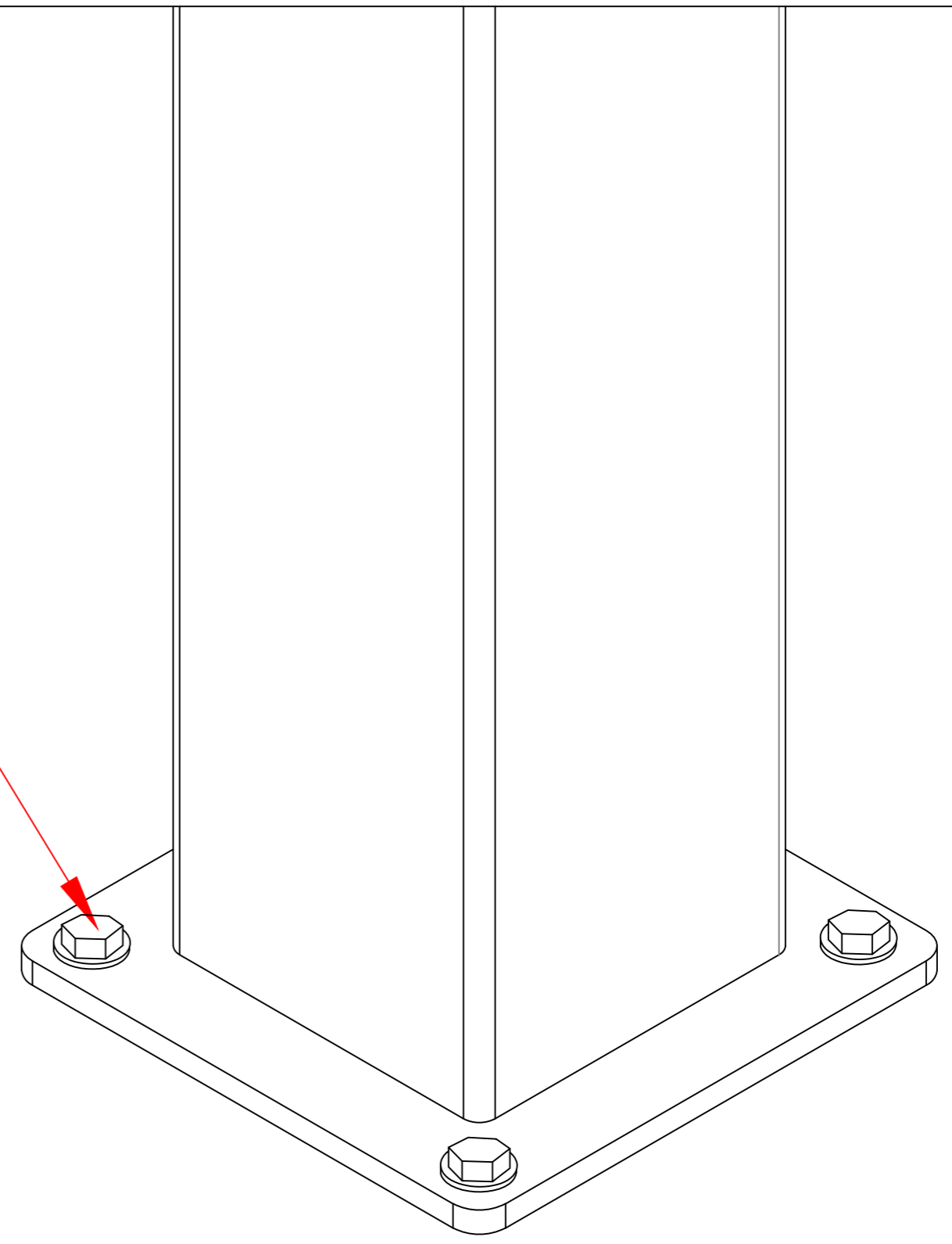
a

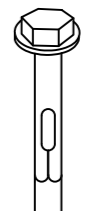
3B-21



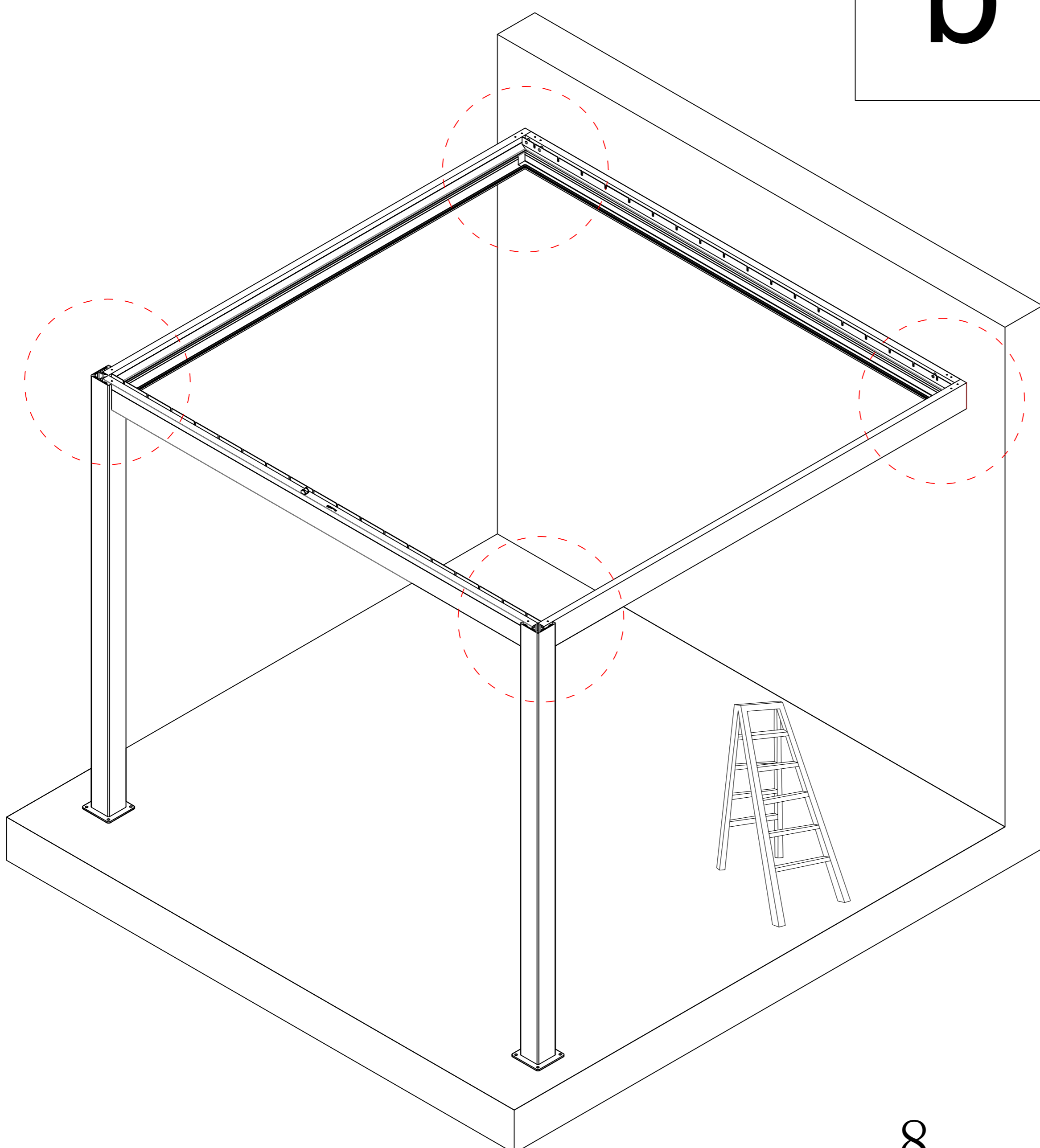
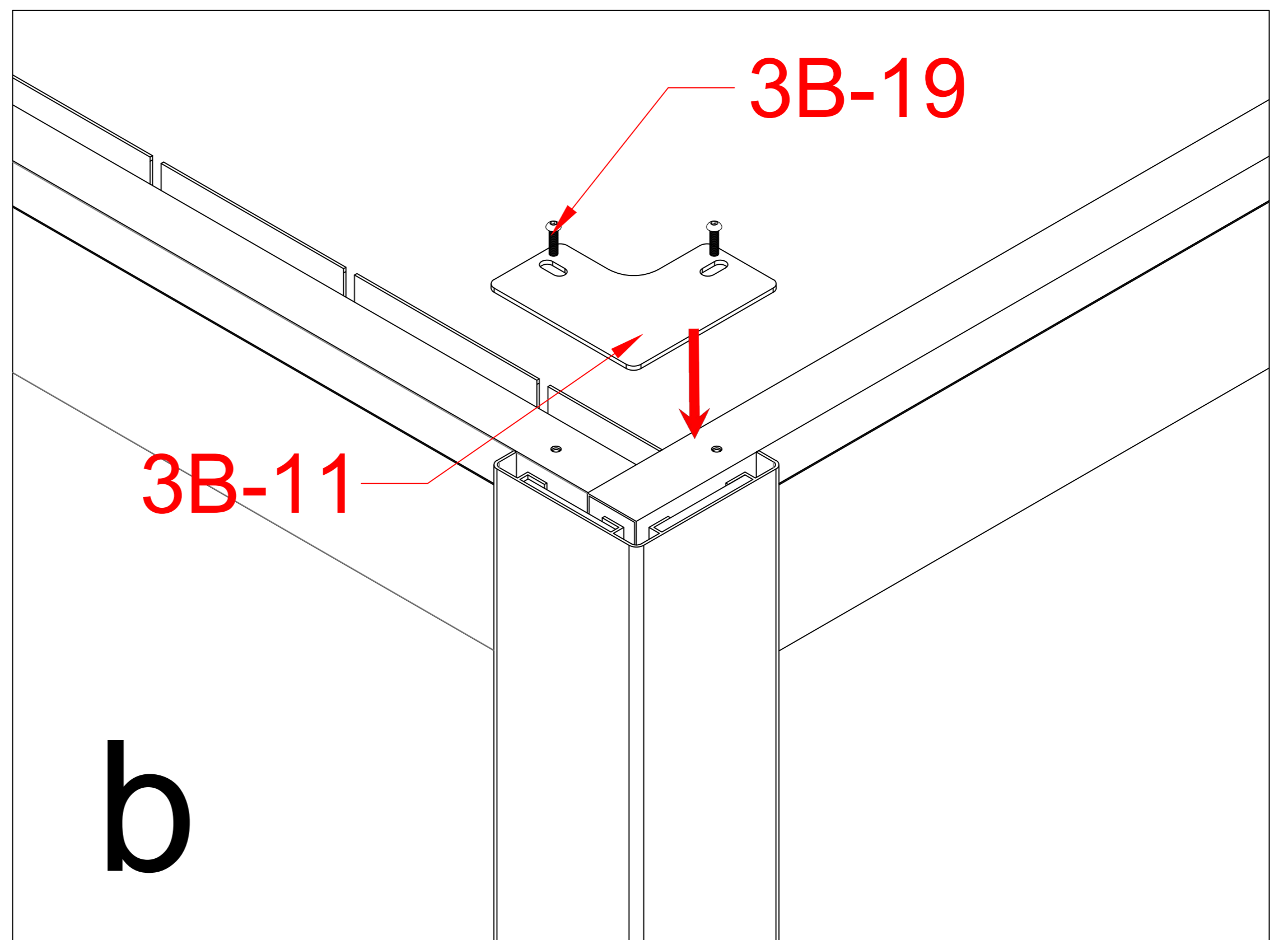
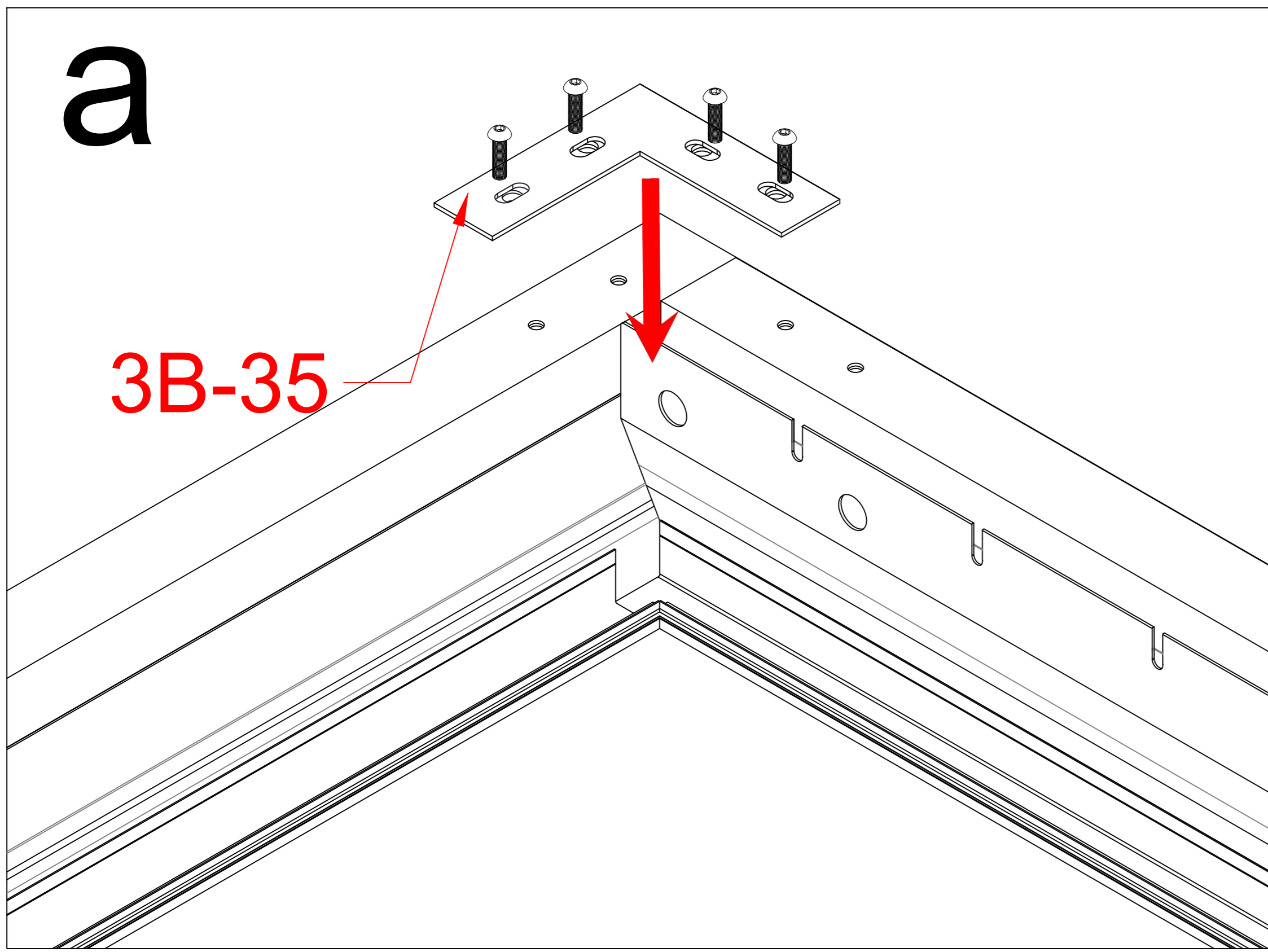
b

3B-21



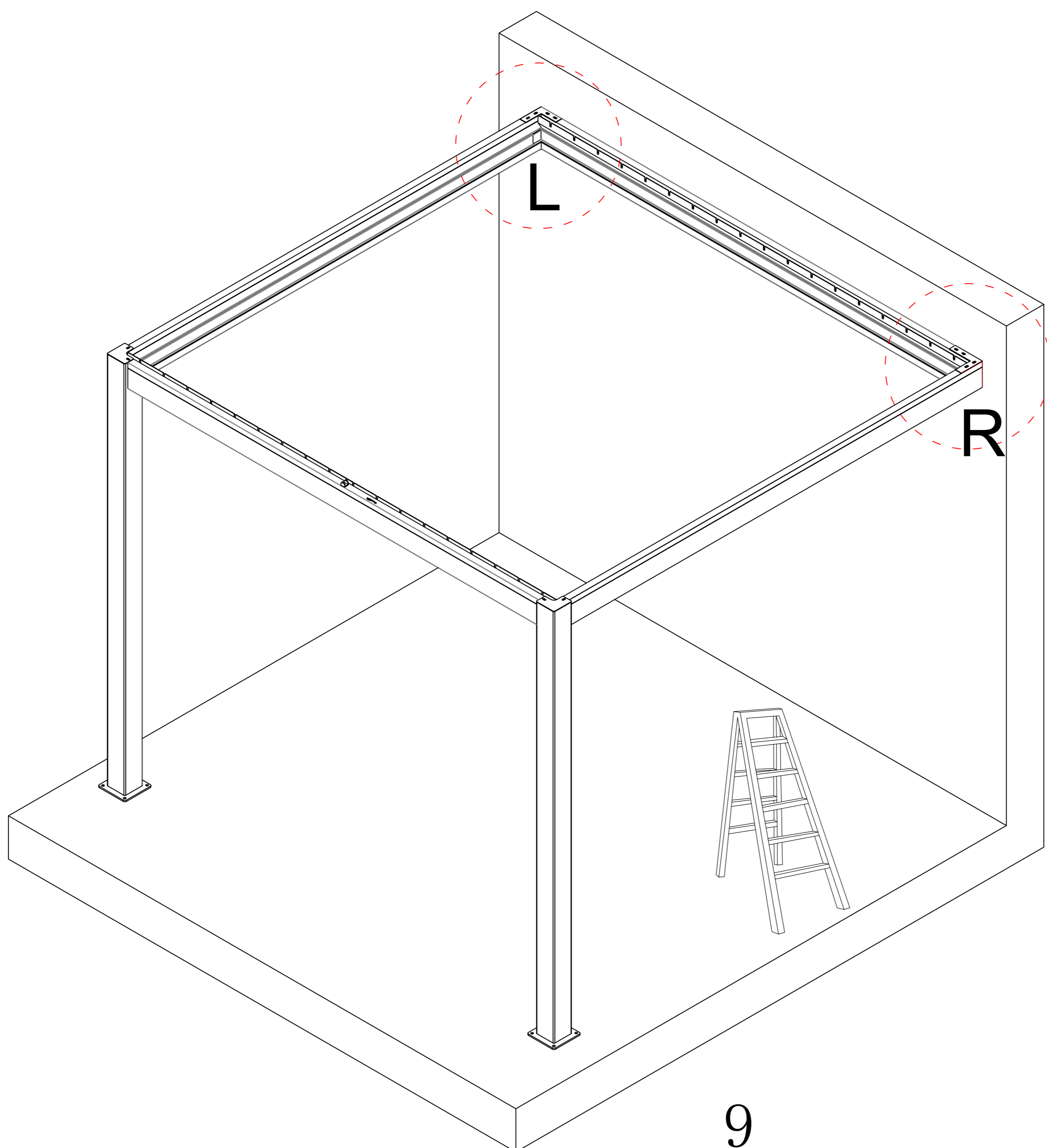
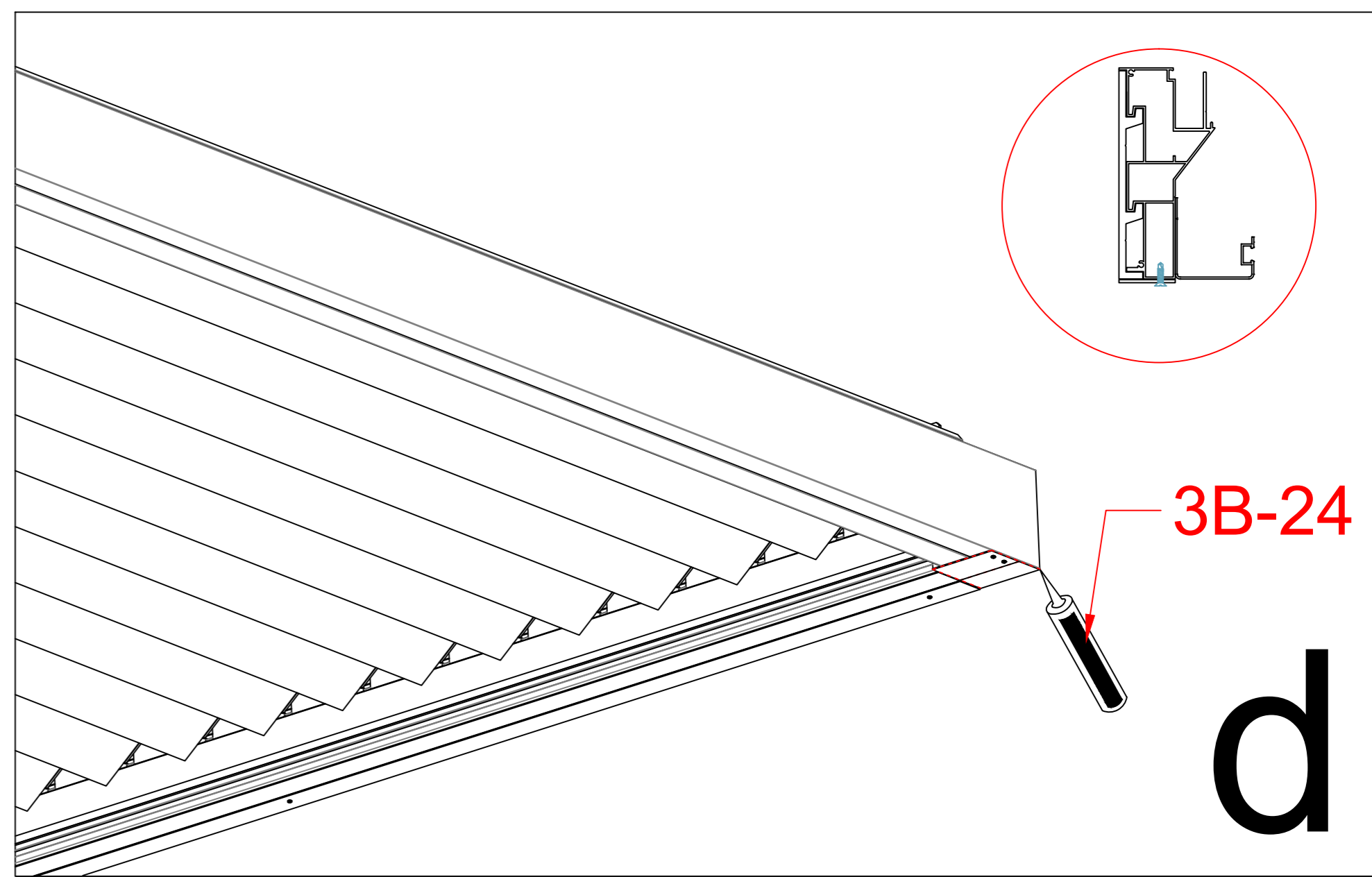
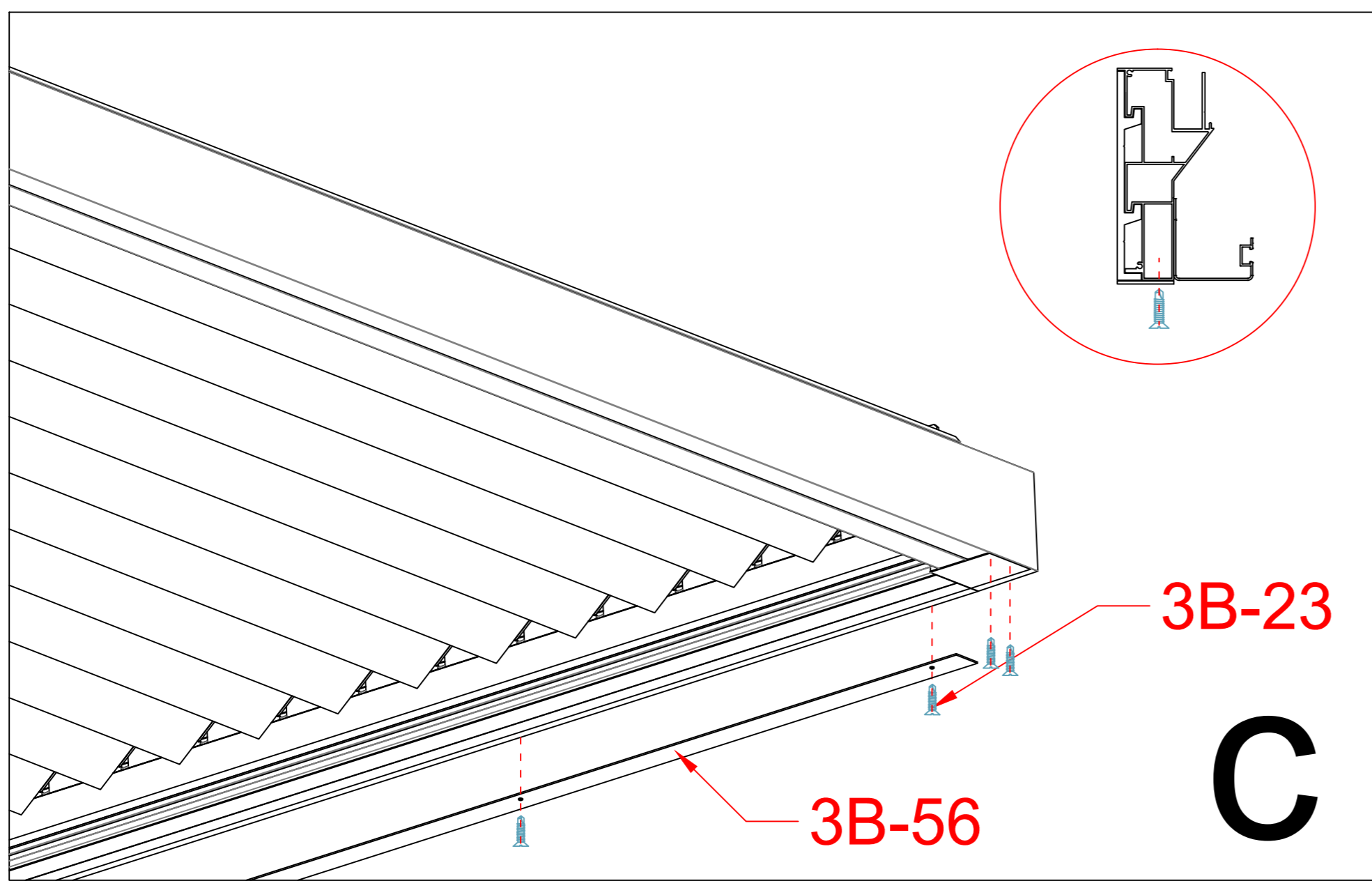
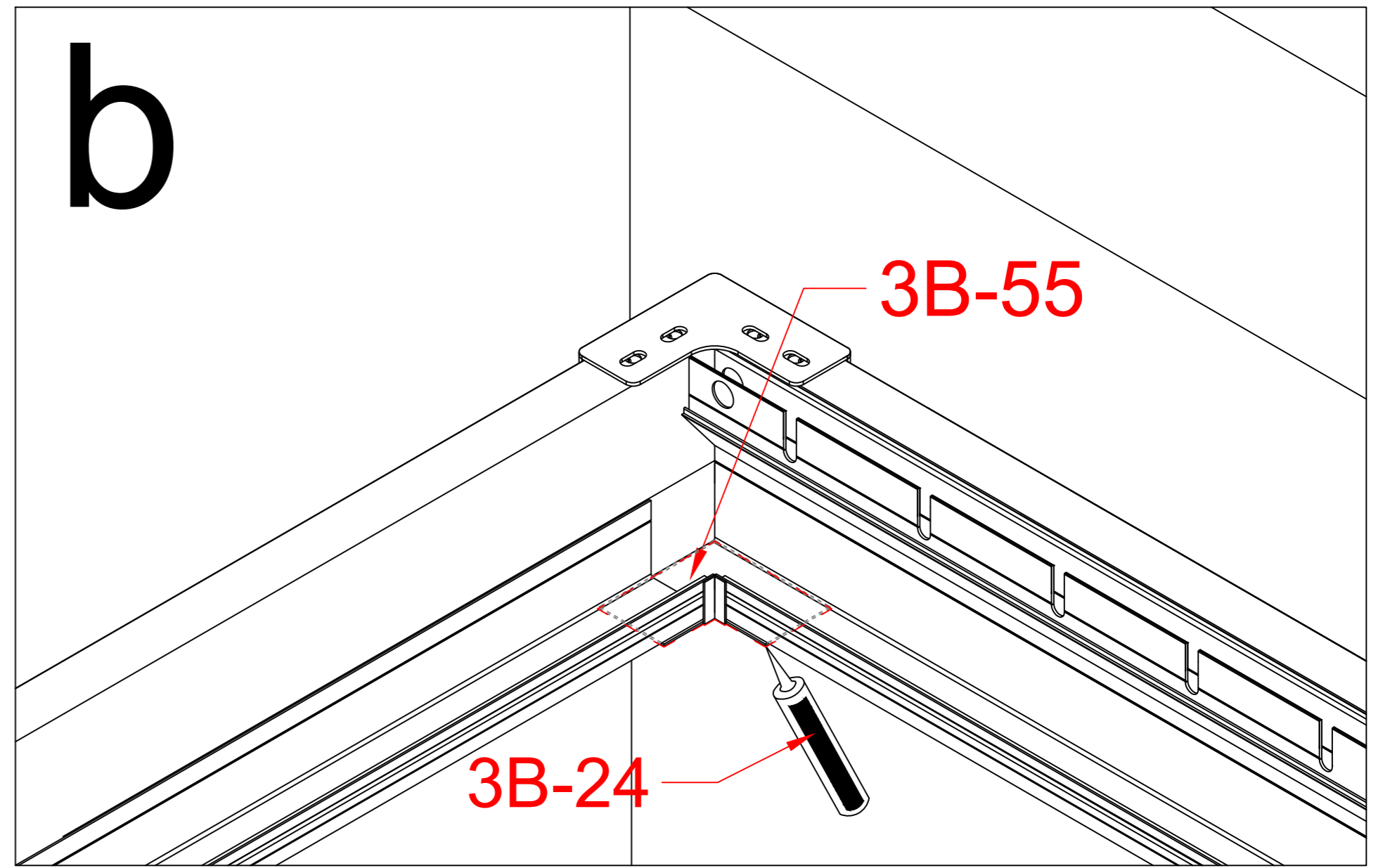
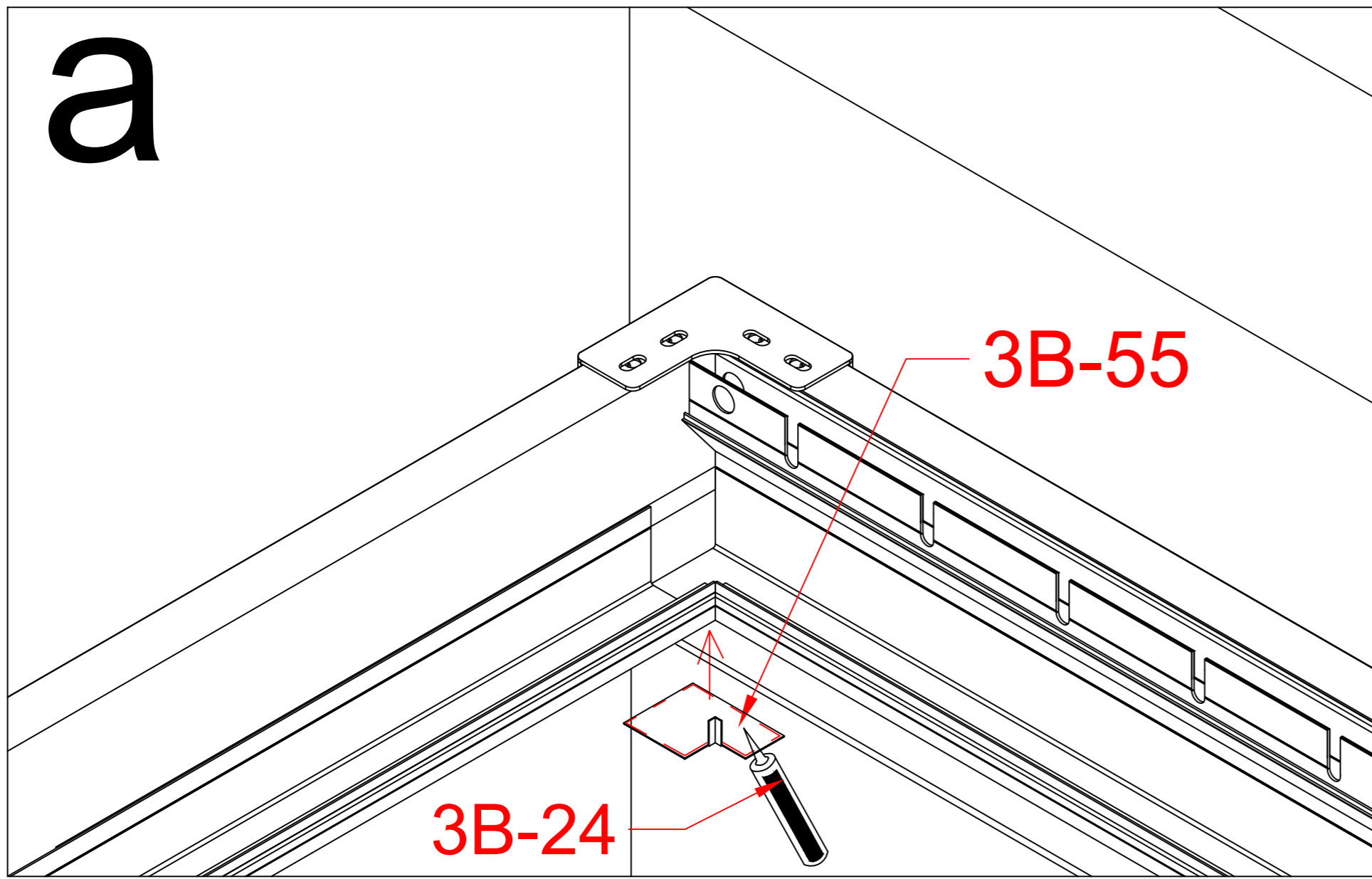
3B-21		8
-------	---	---





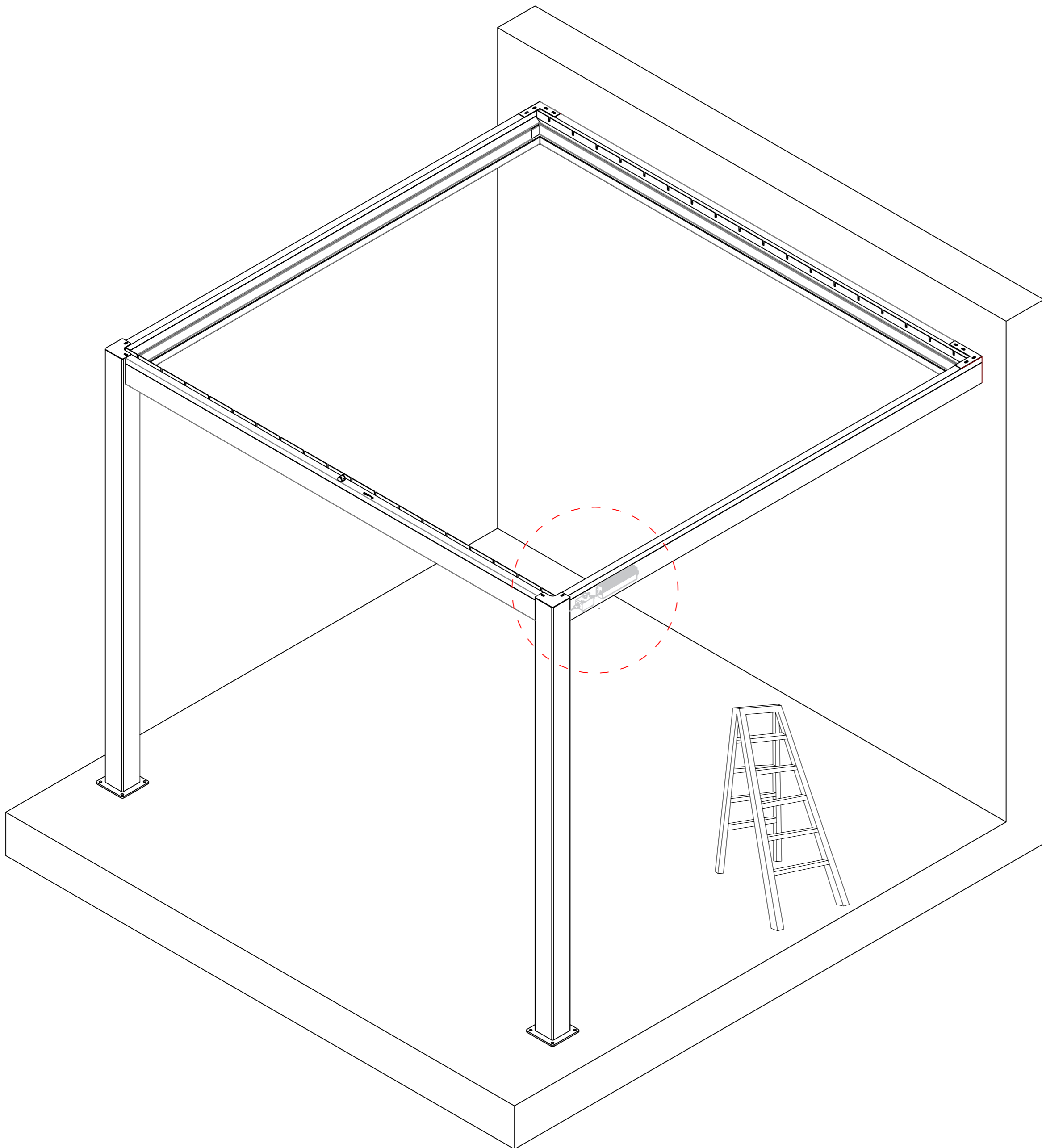
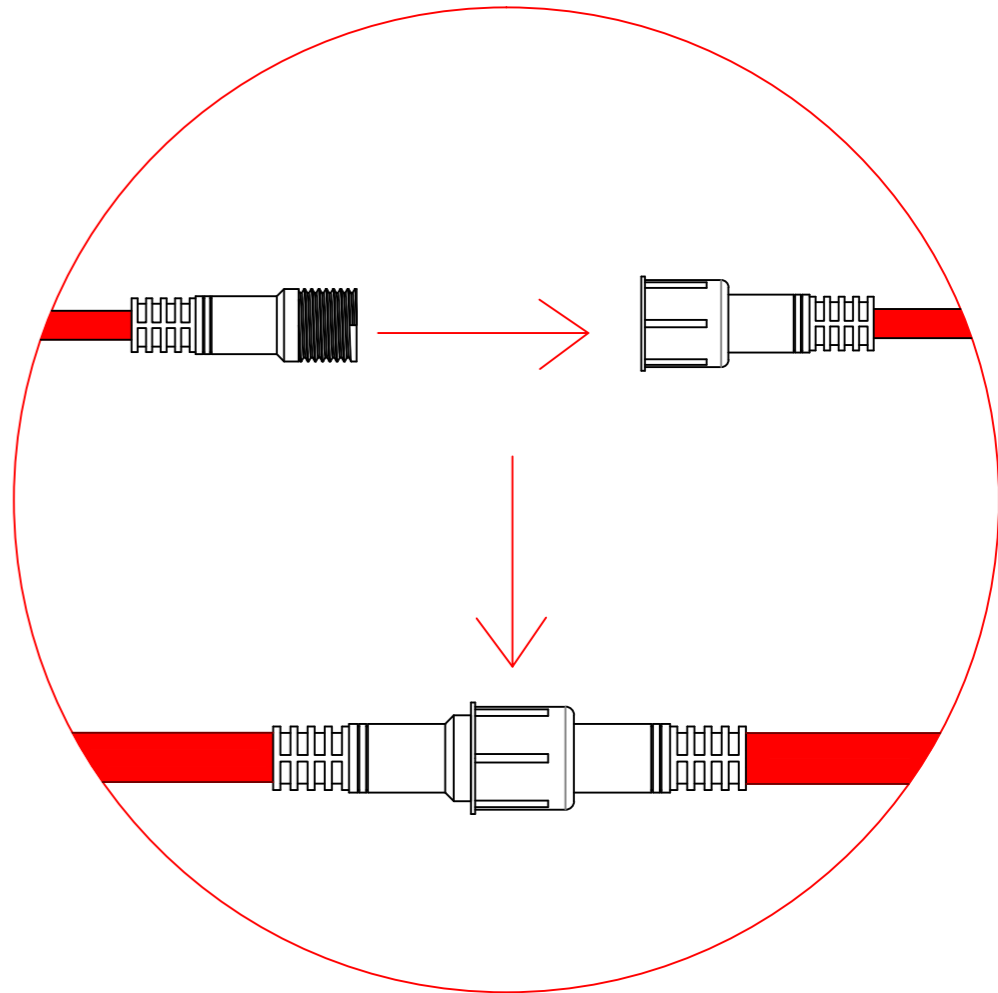
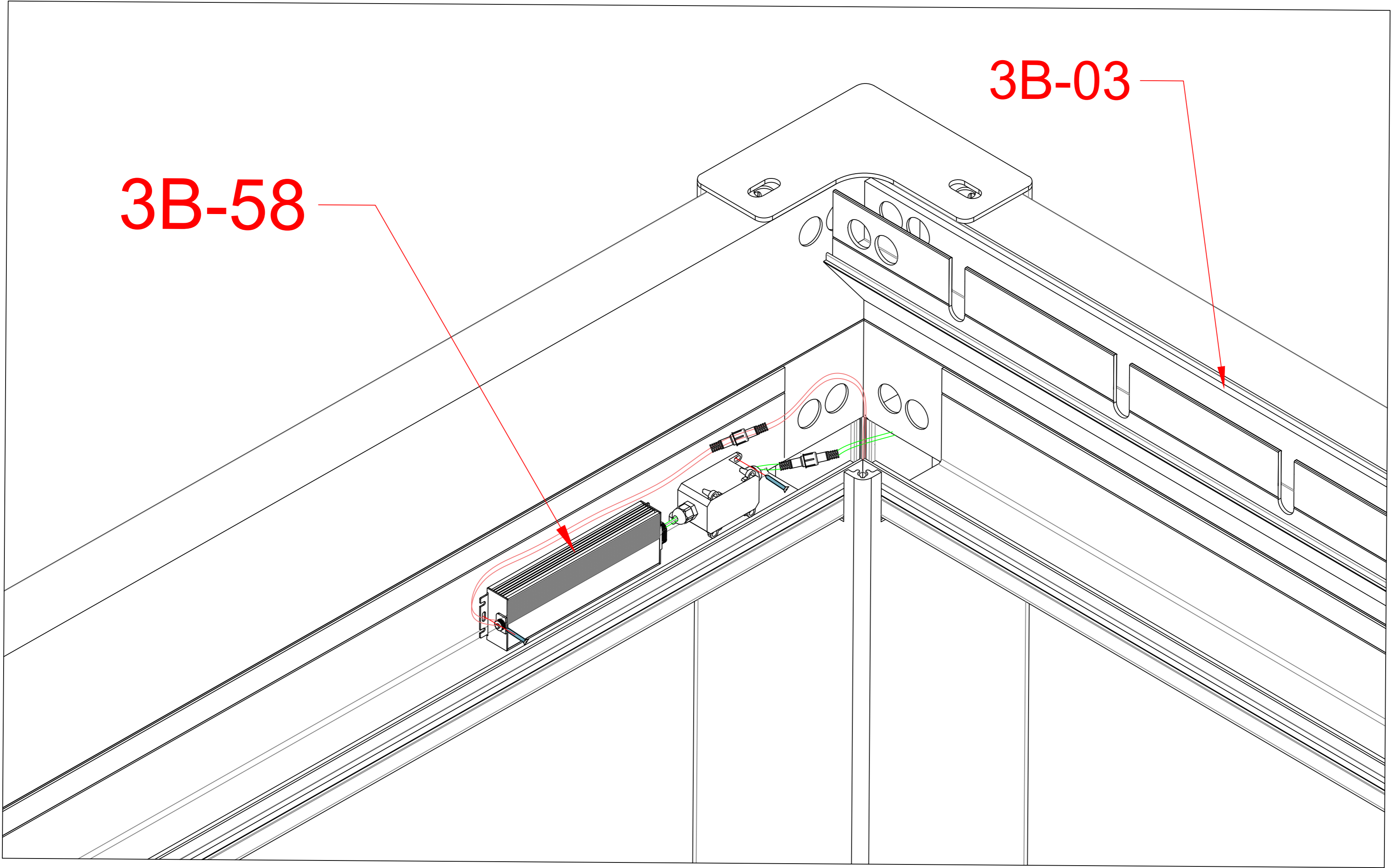
3B-35		2
3B-11		2
3B-19		12

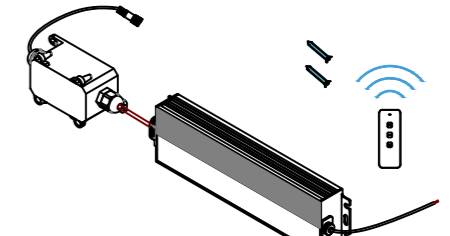




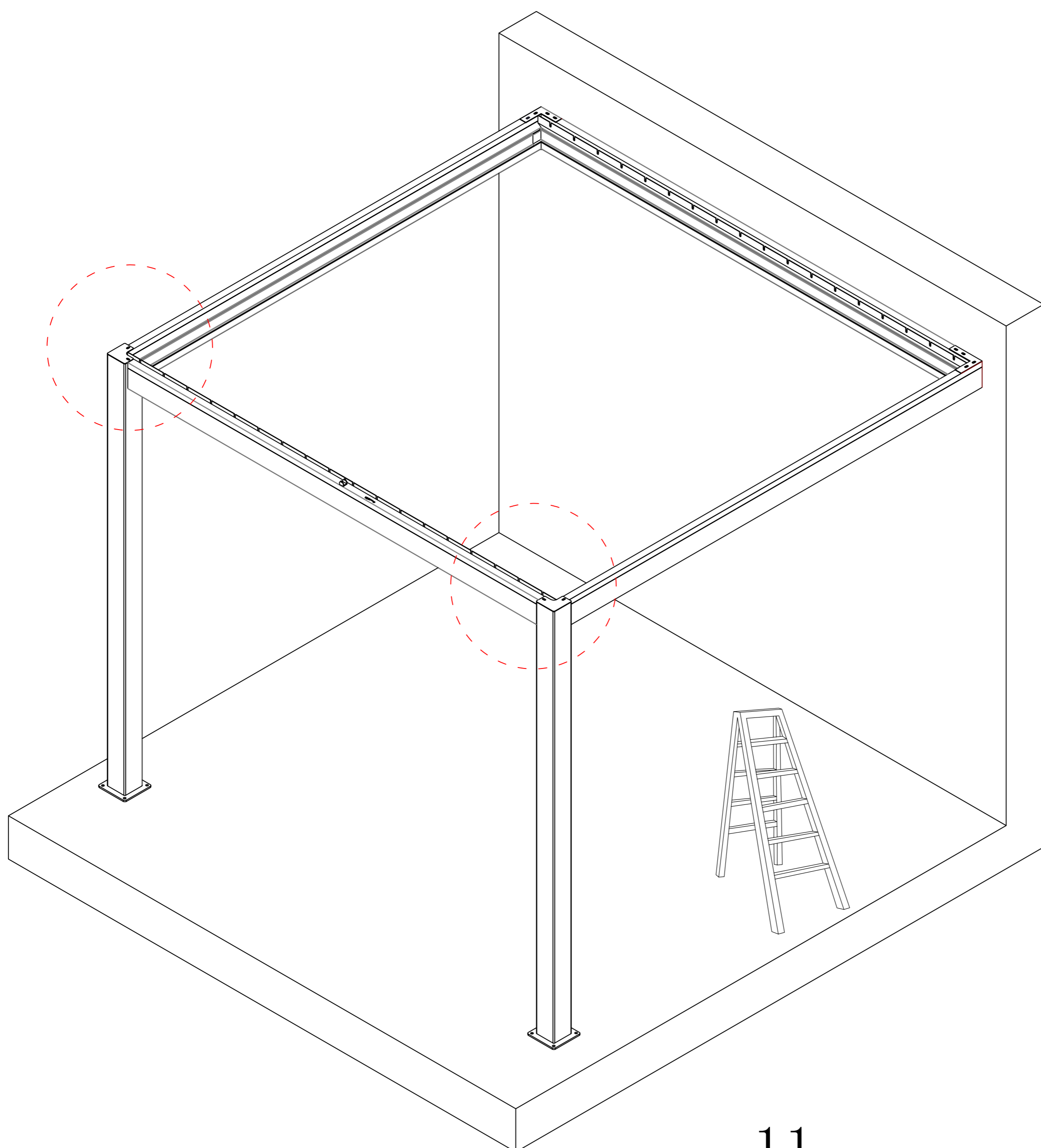
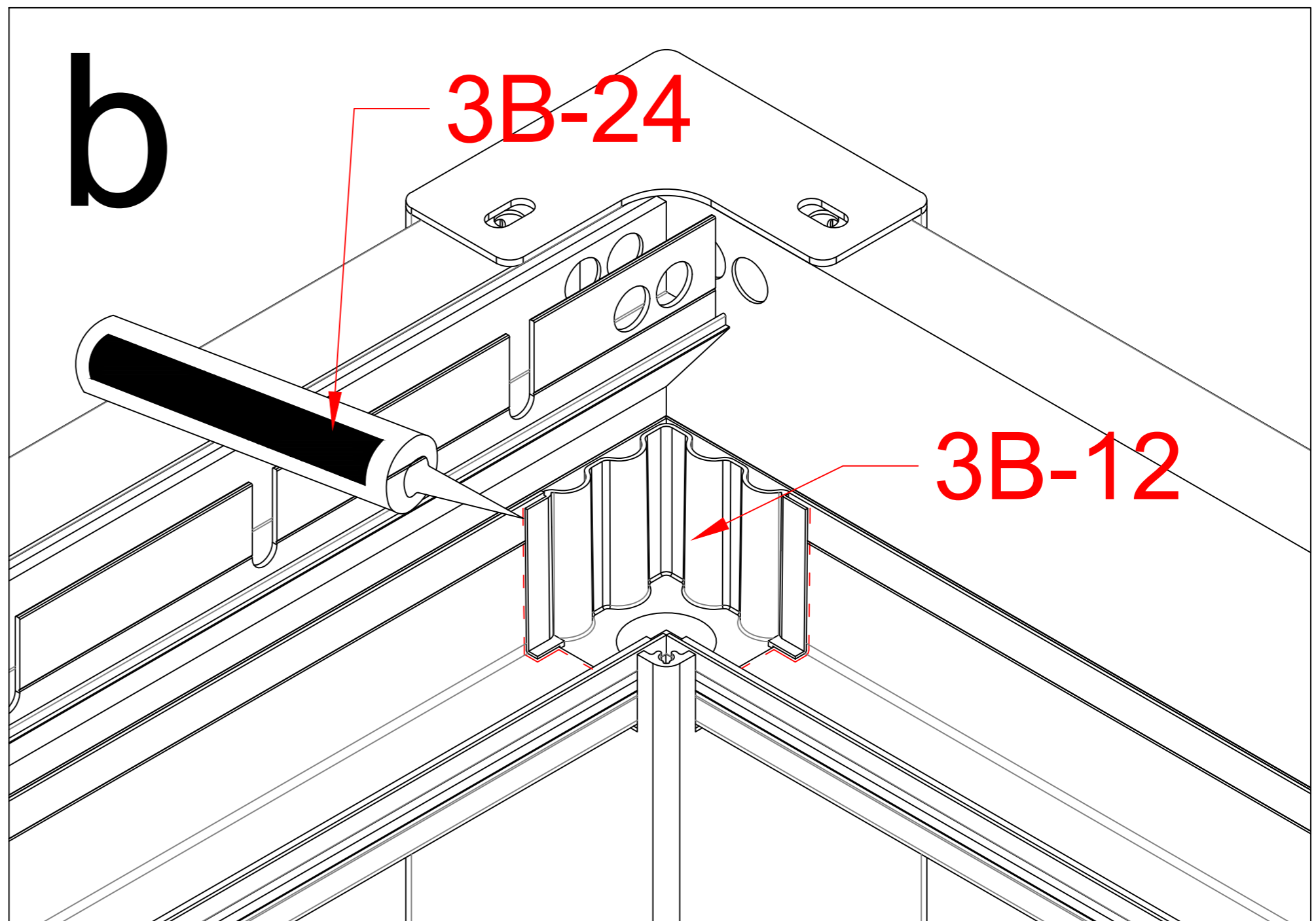
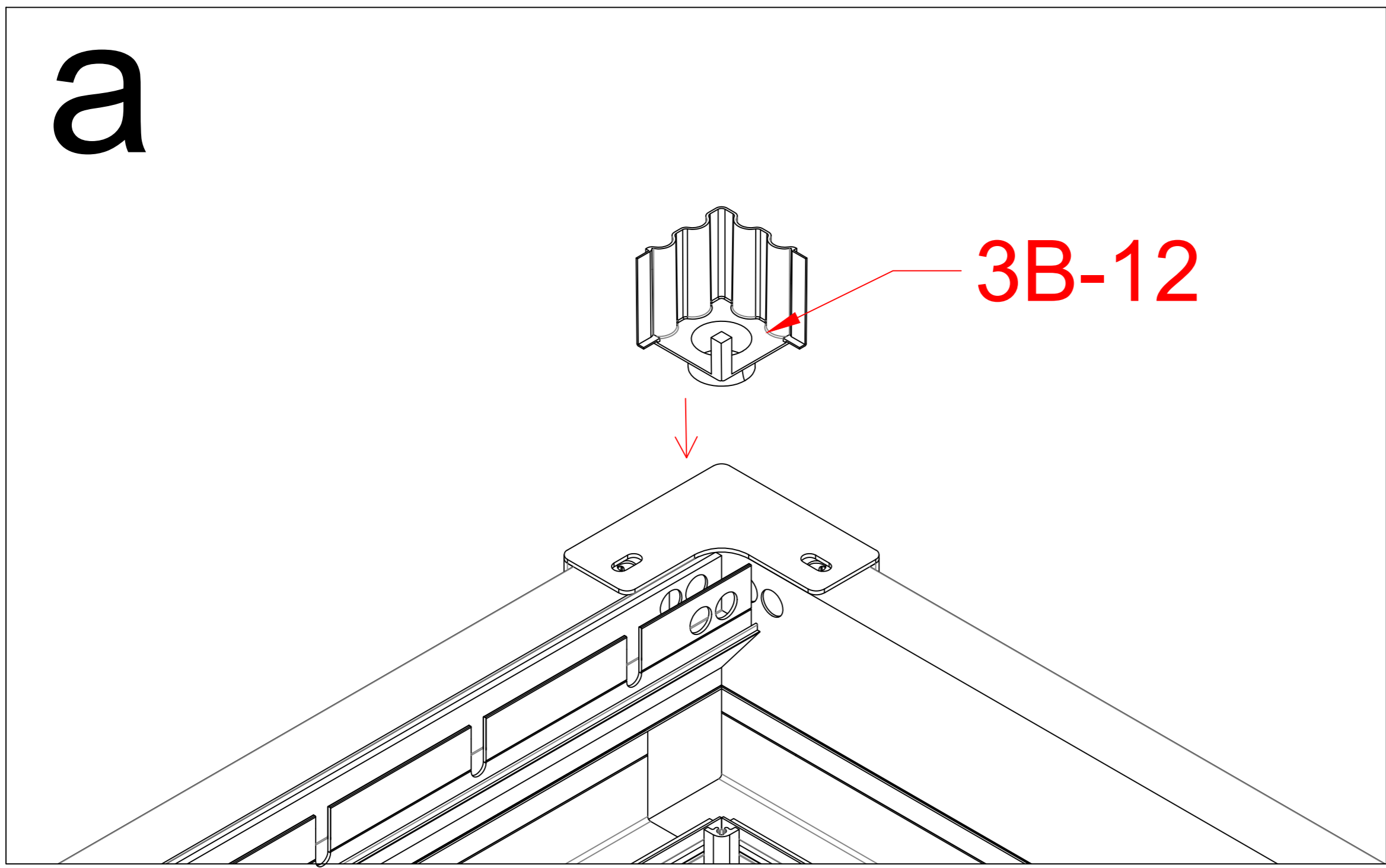
3B-55		2
3B-56		1
3B-23		9

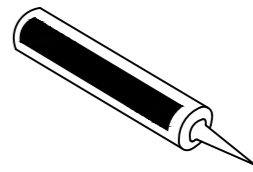
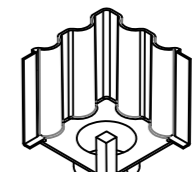




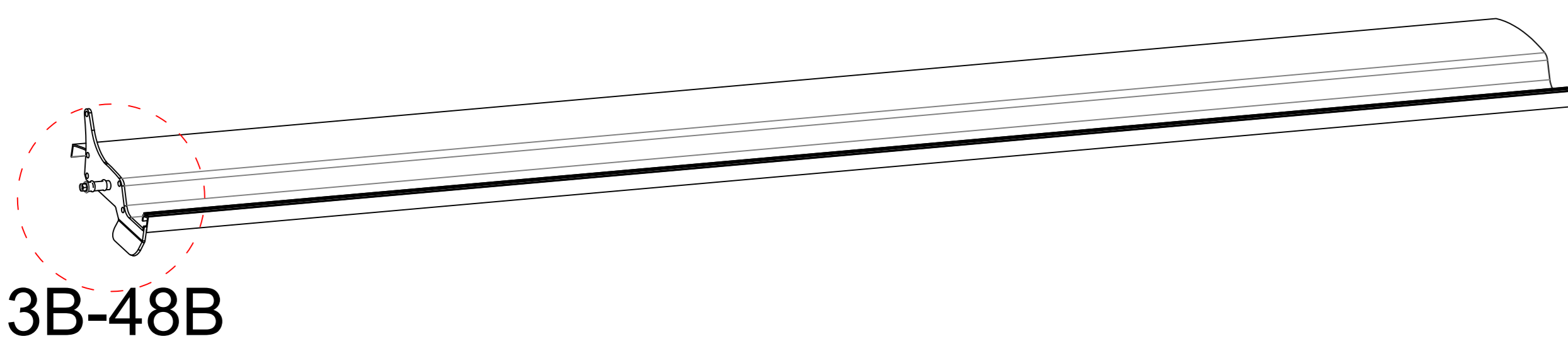
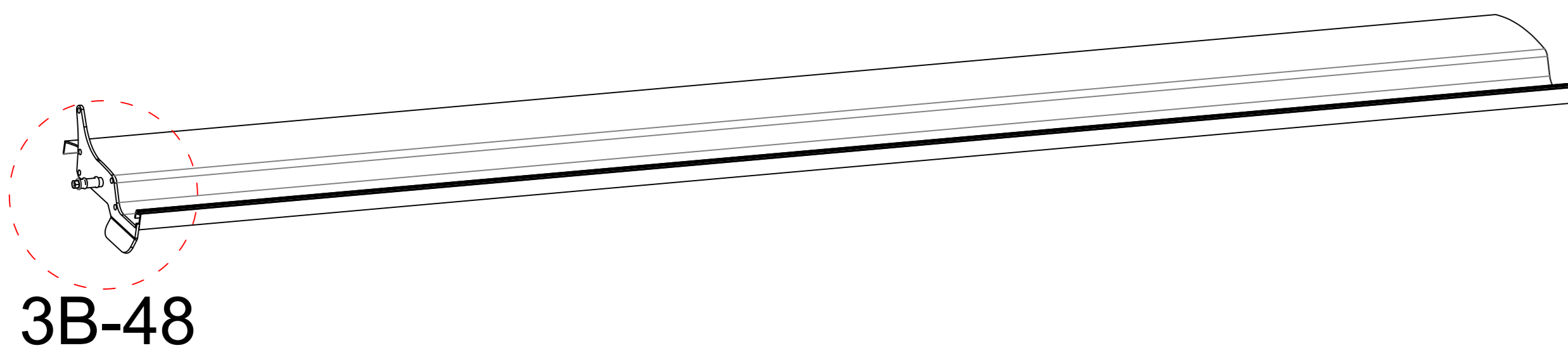
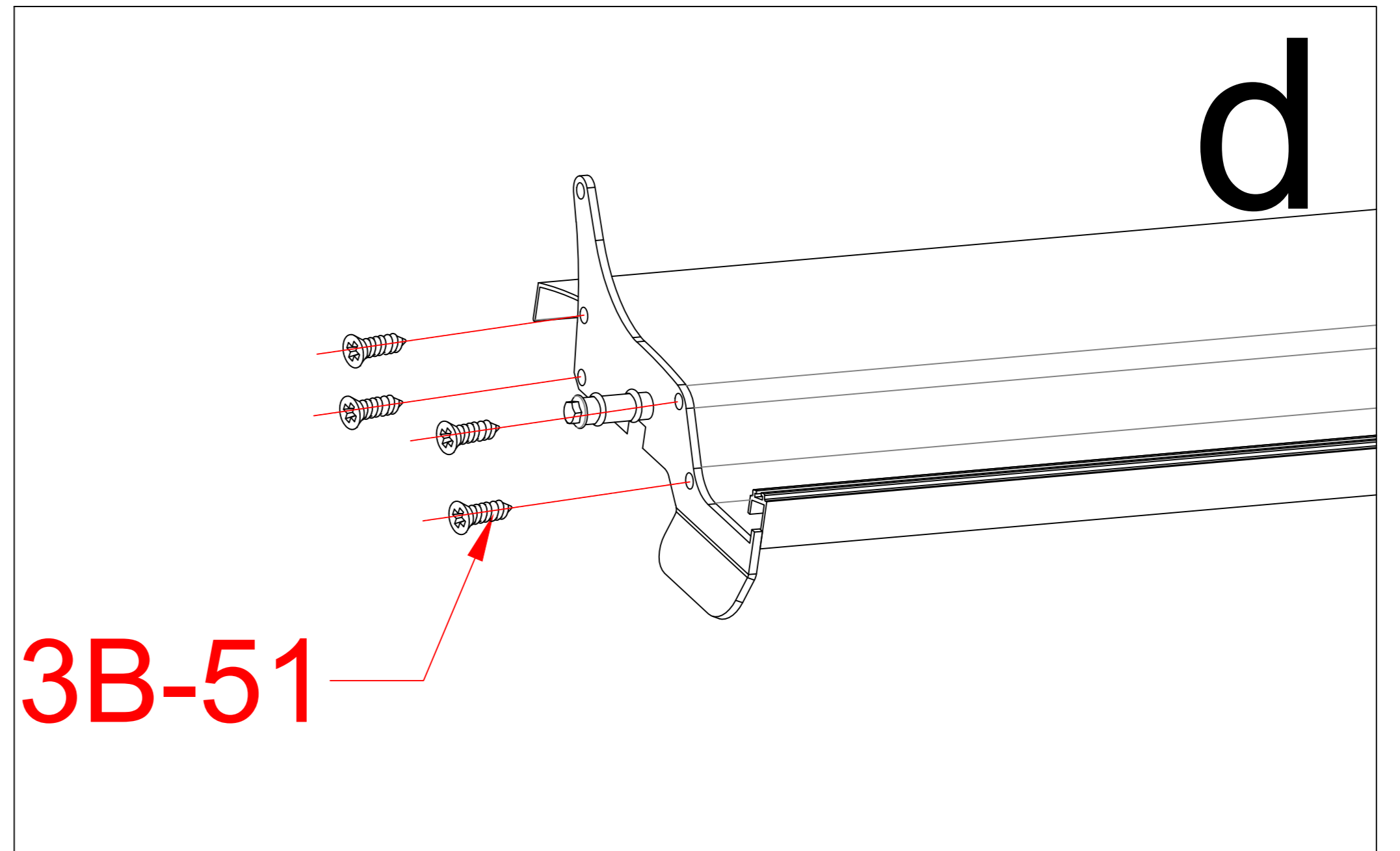
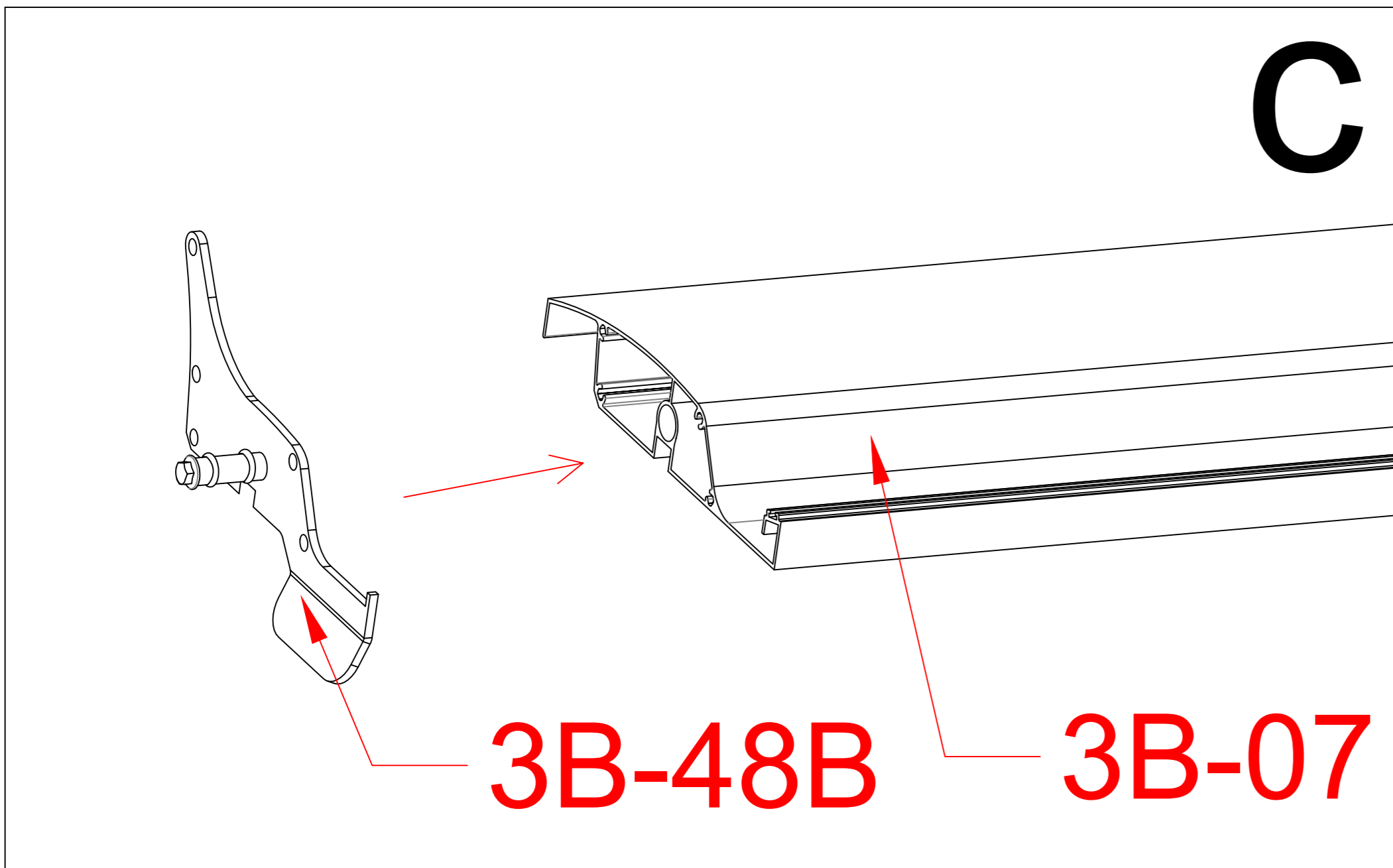
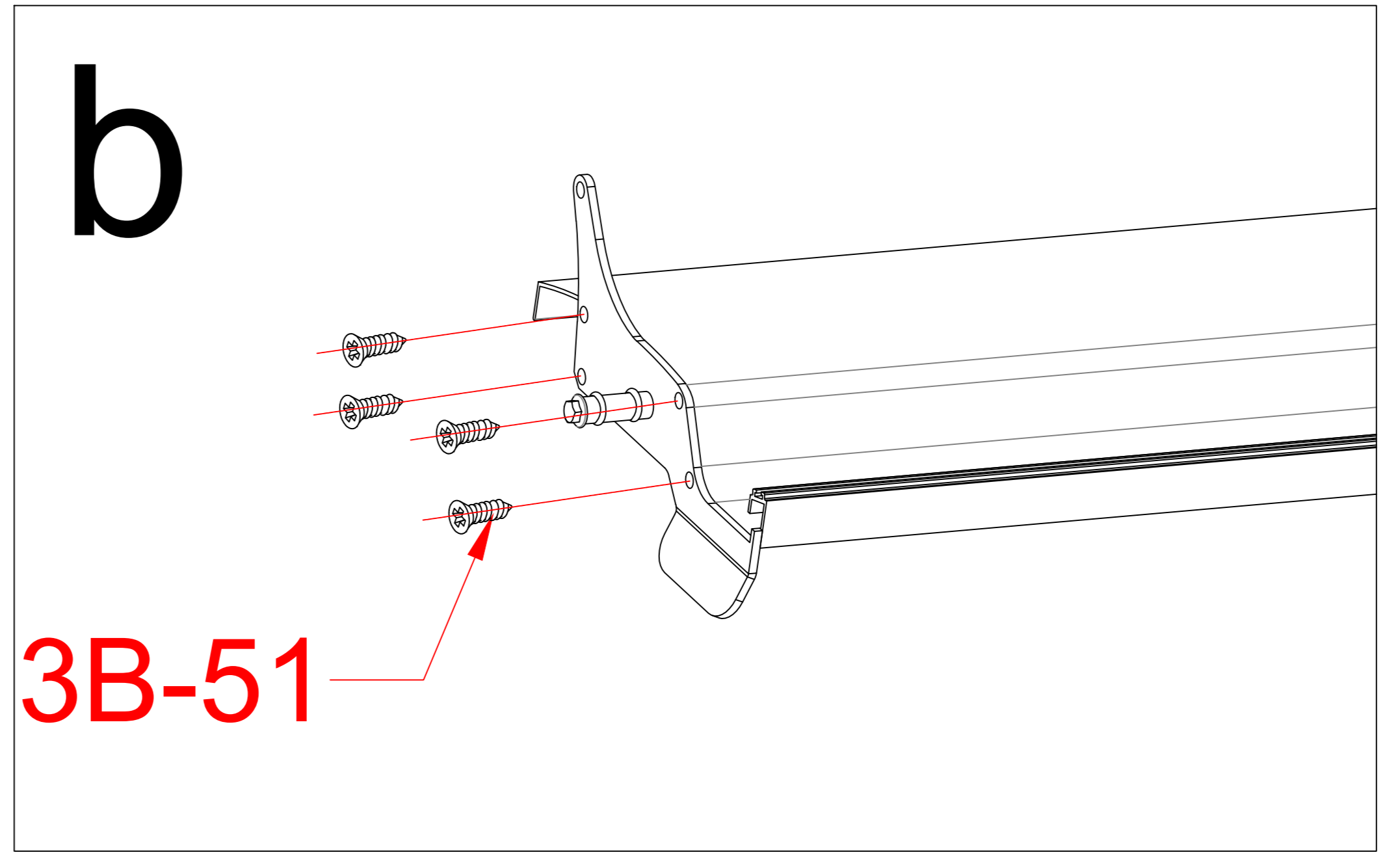
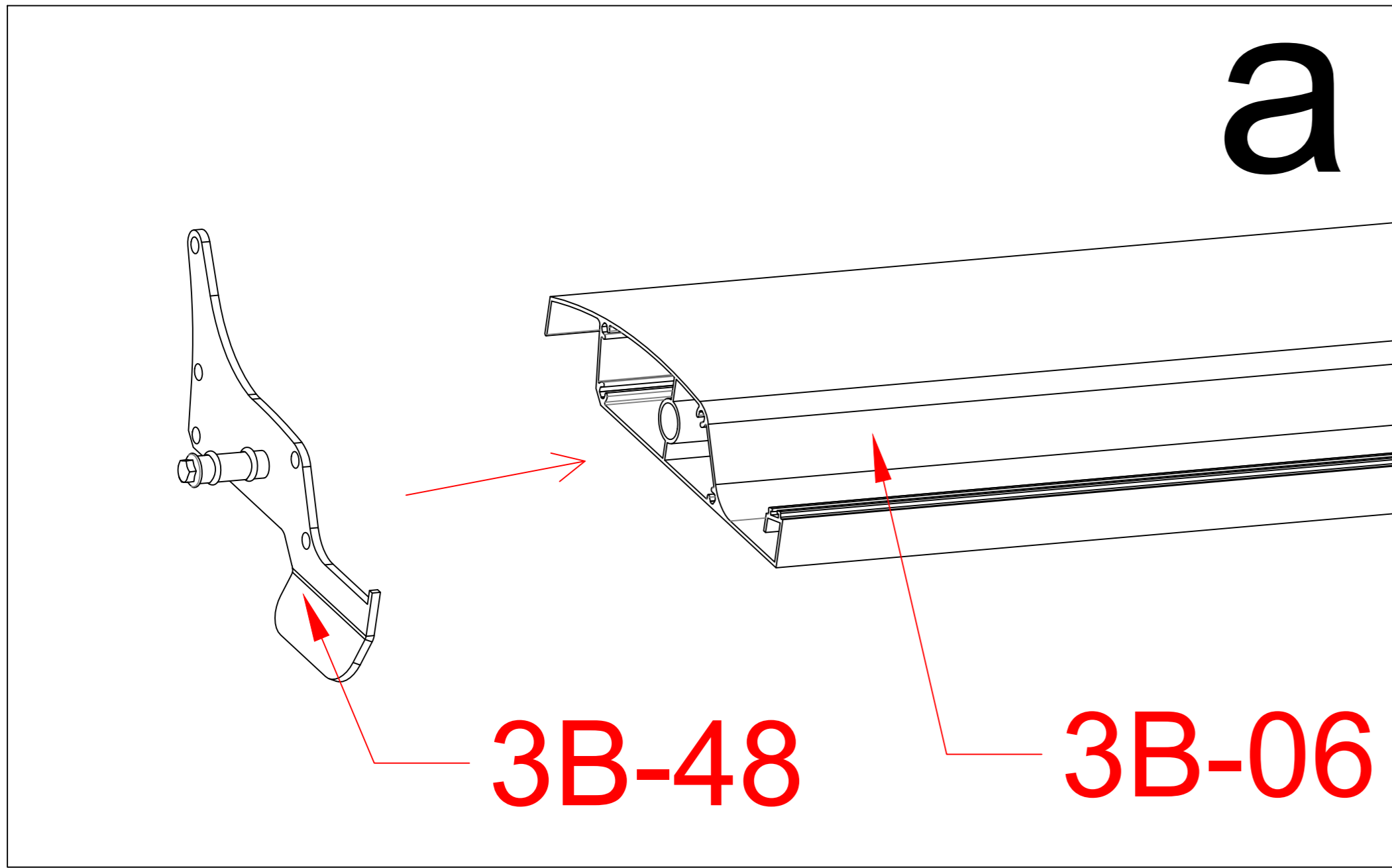
3B-58		1
-------	---	---



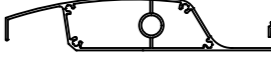
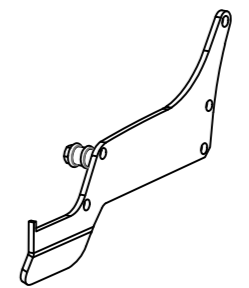

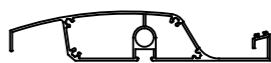
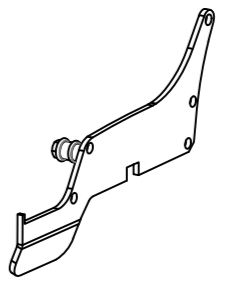




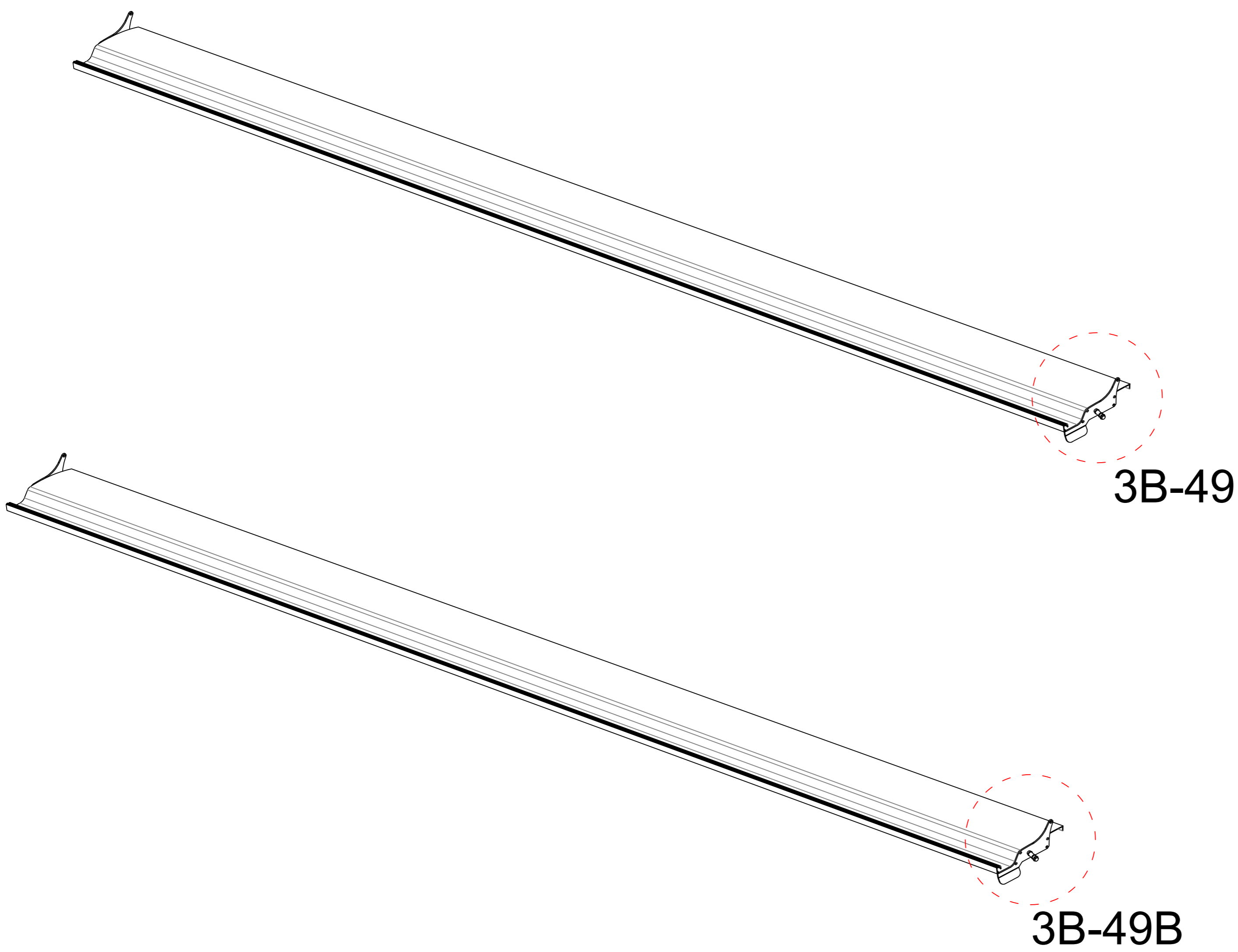
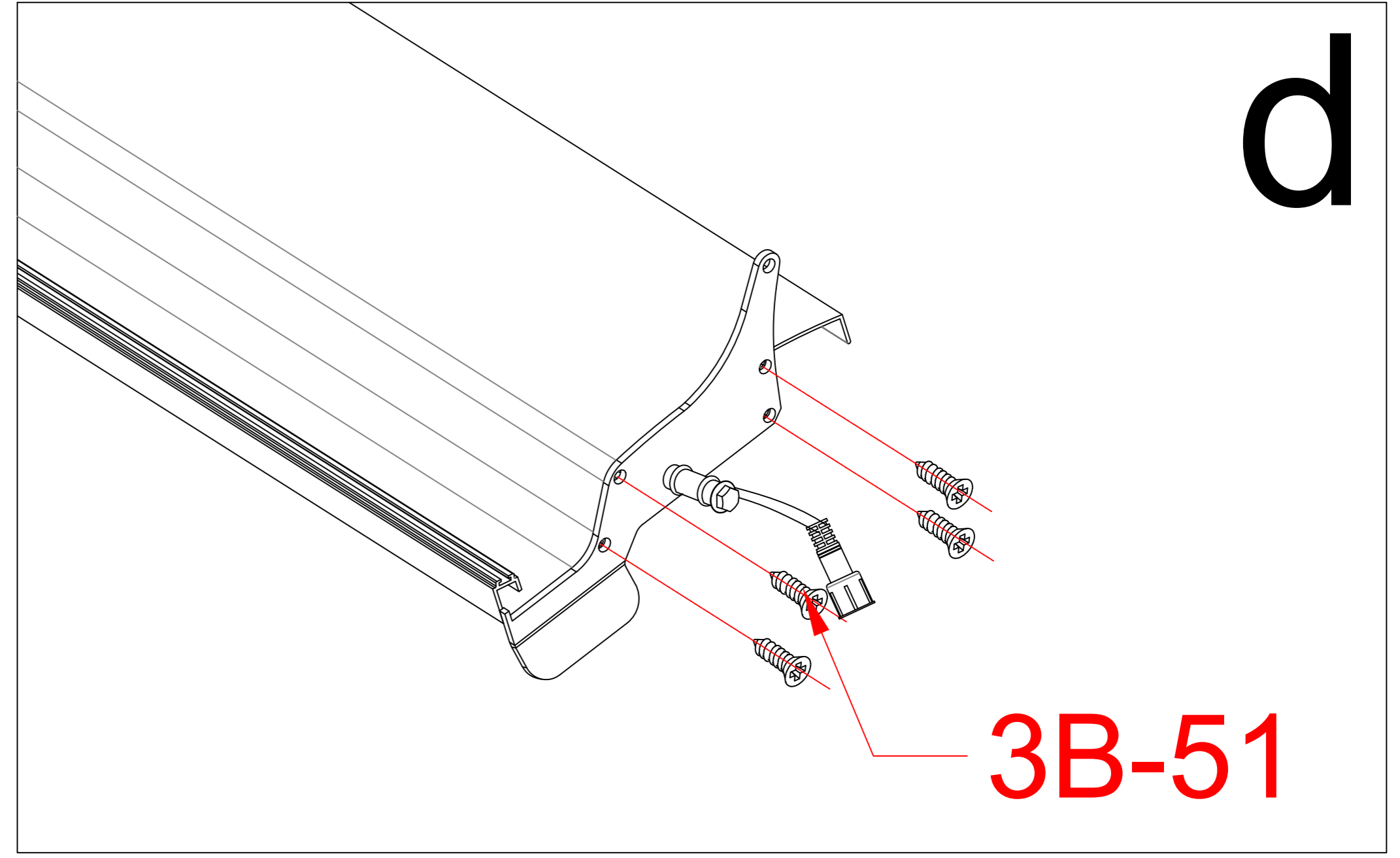
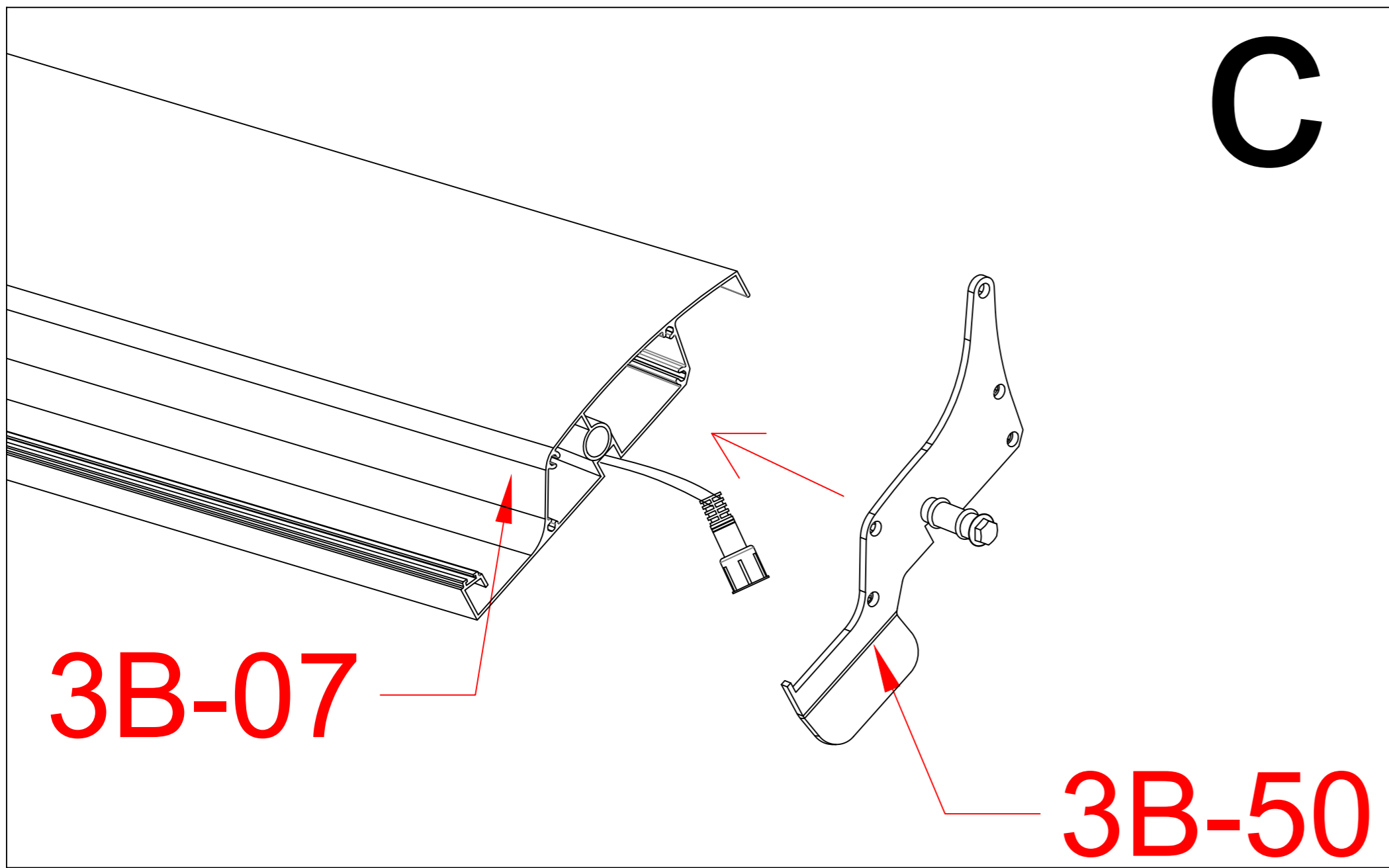
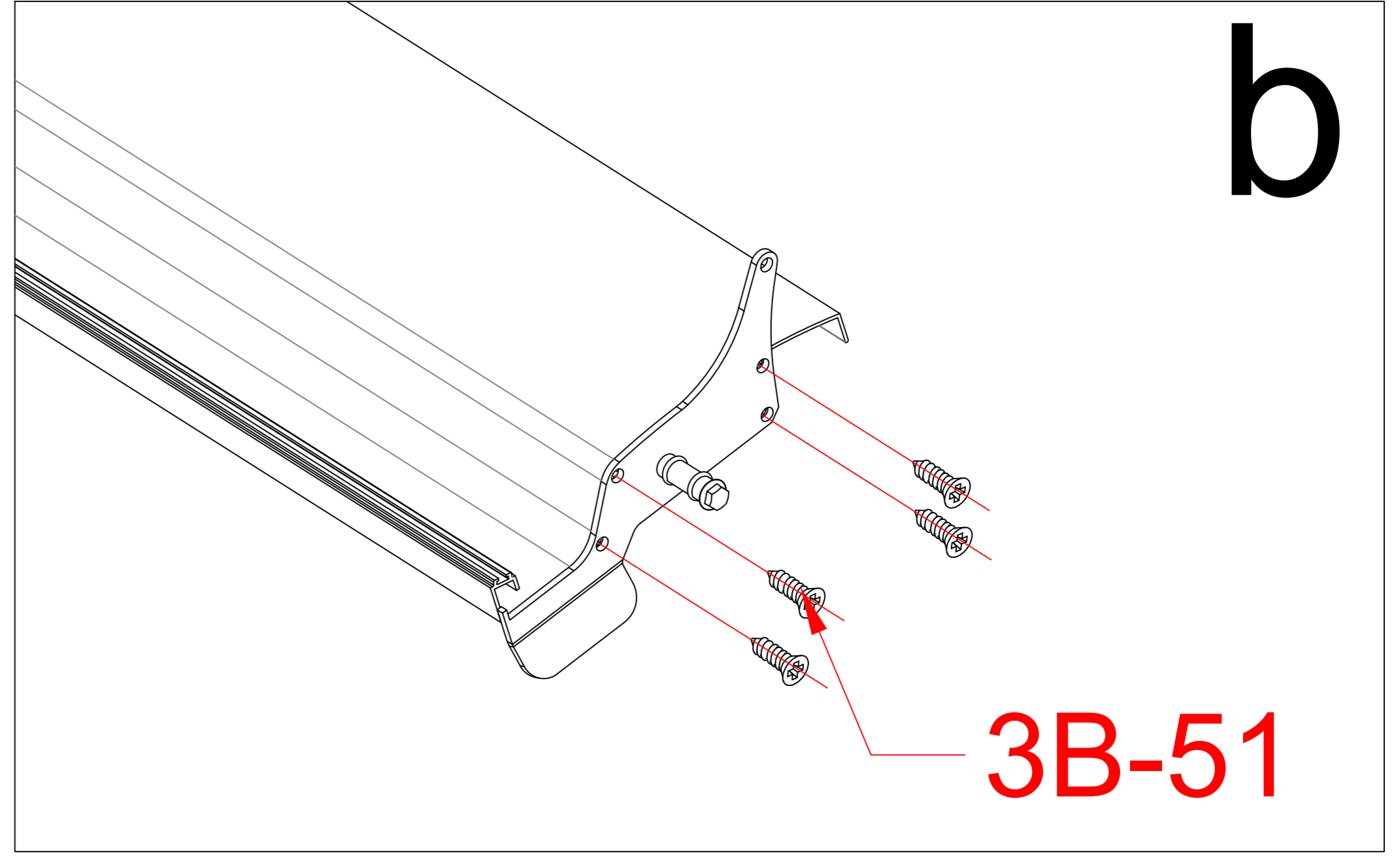
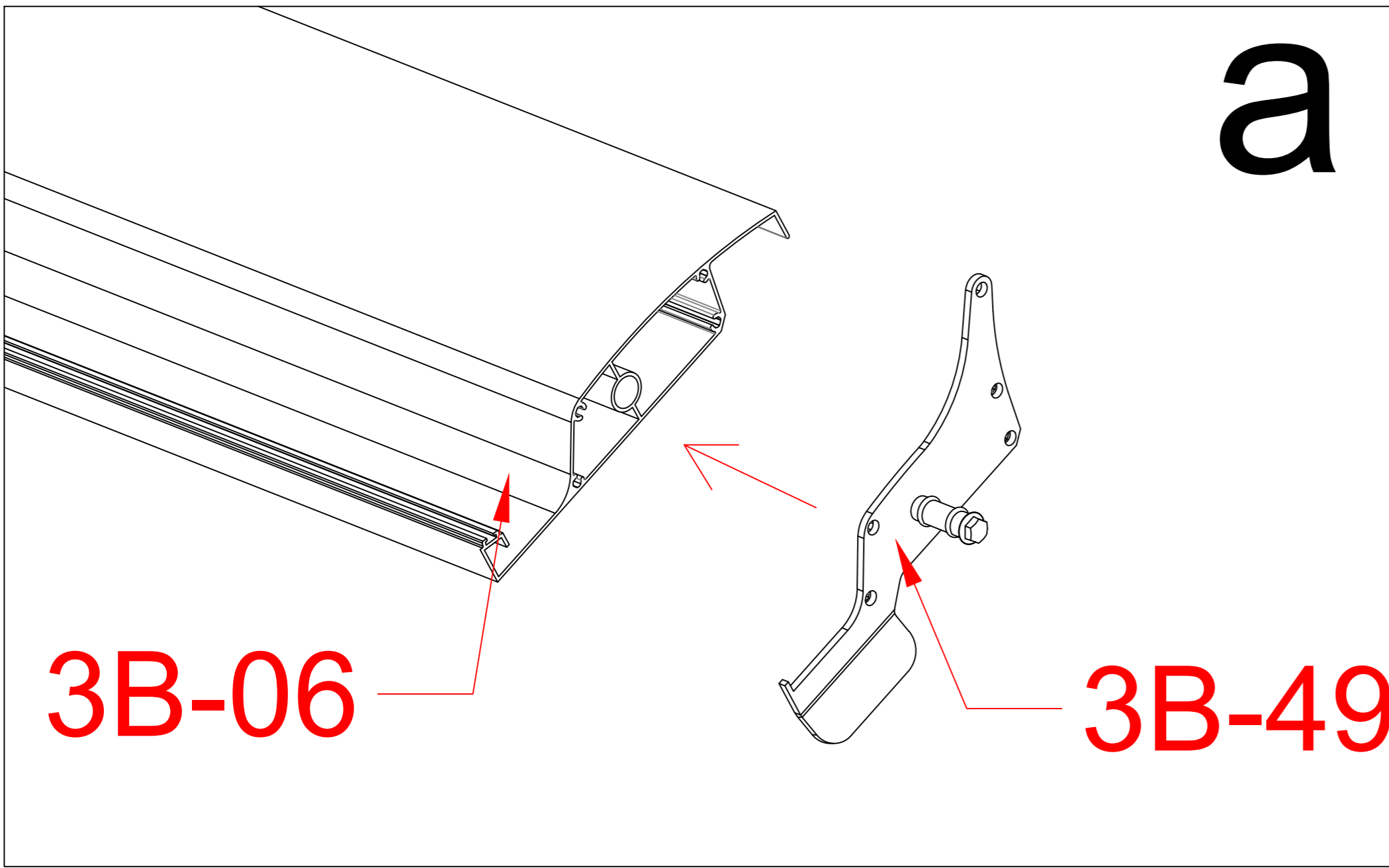
3B-24		1
3B-12		2





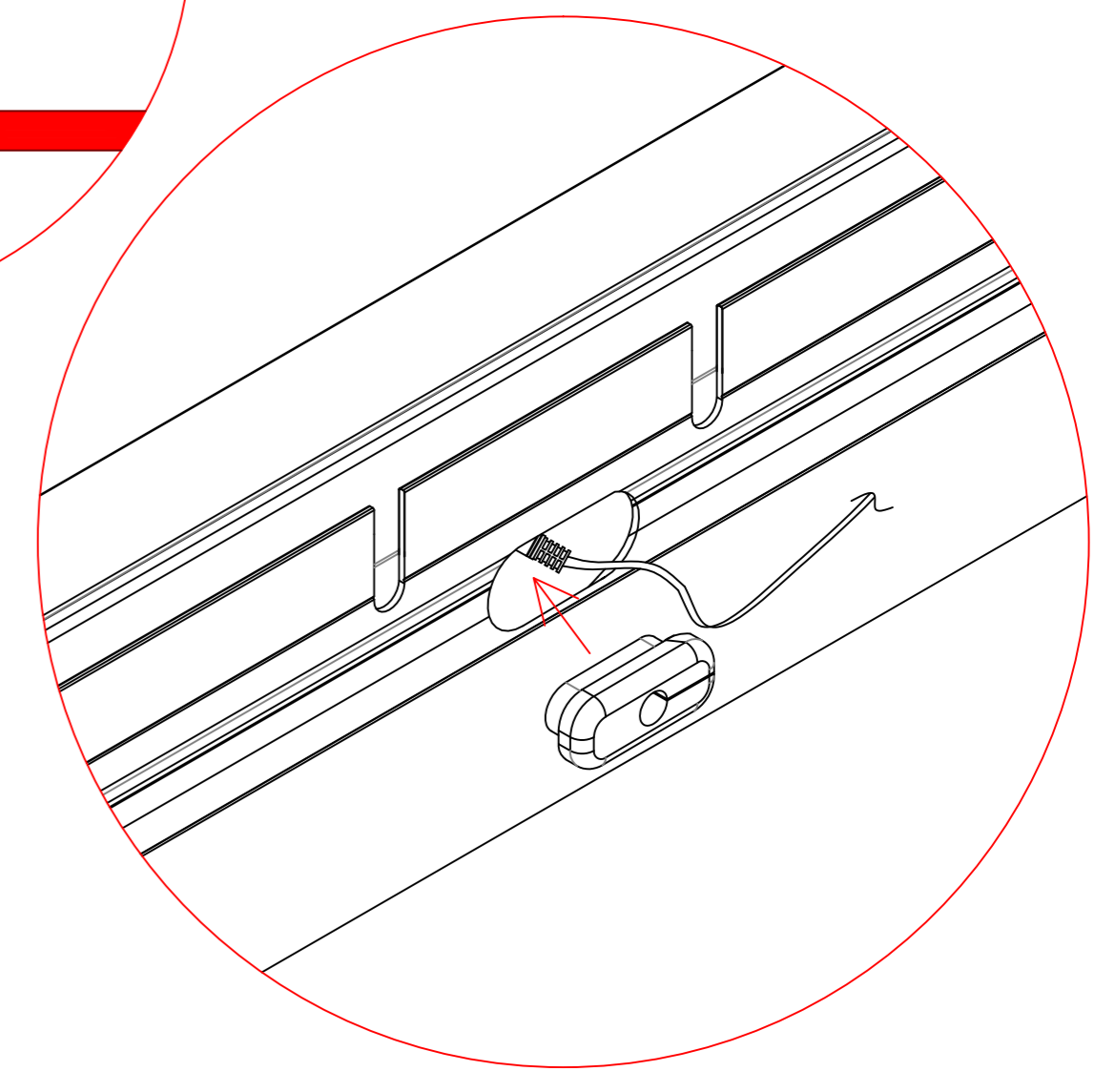
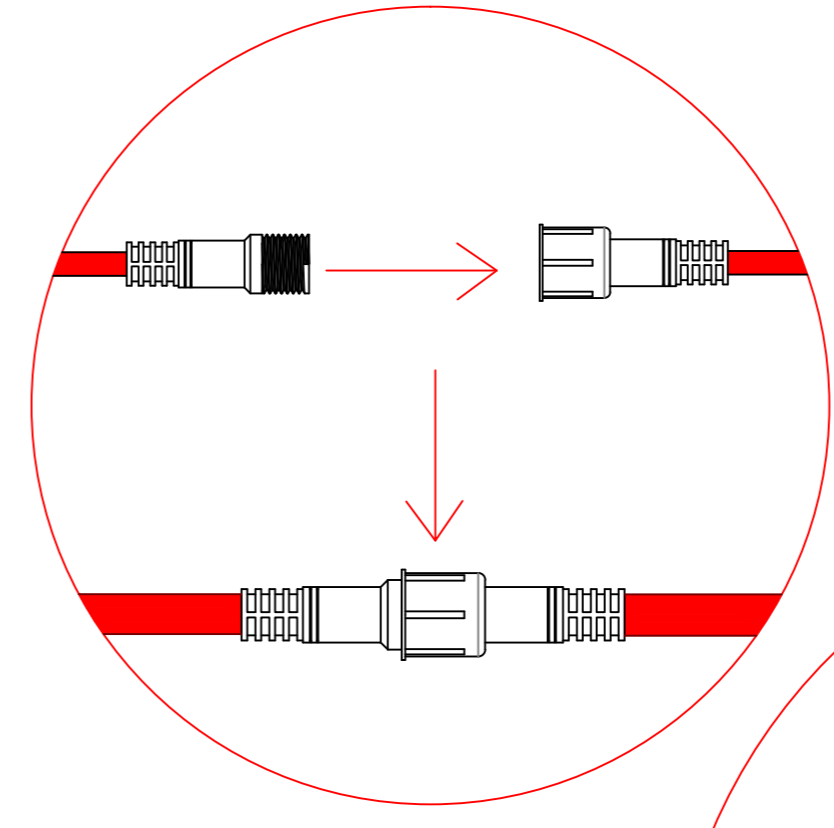
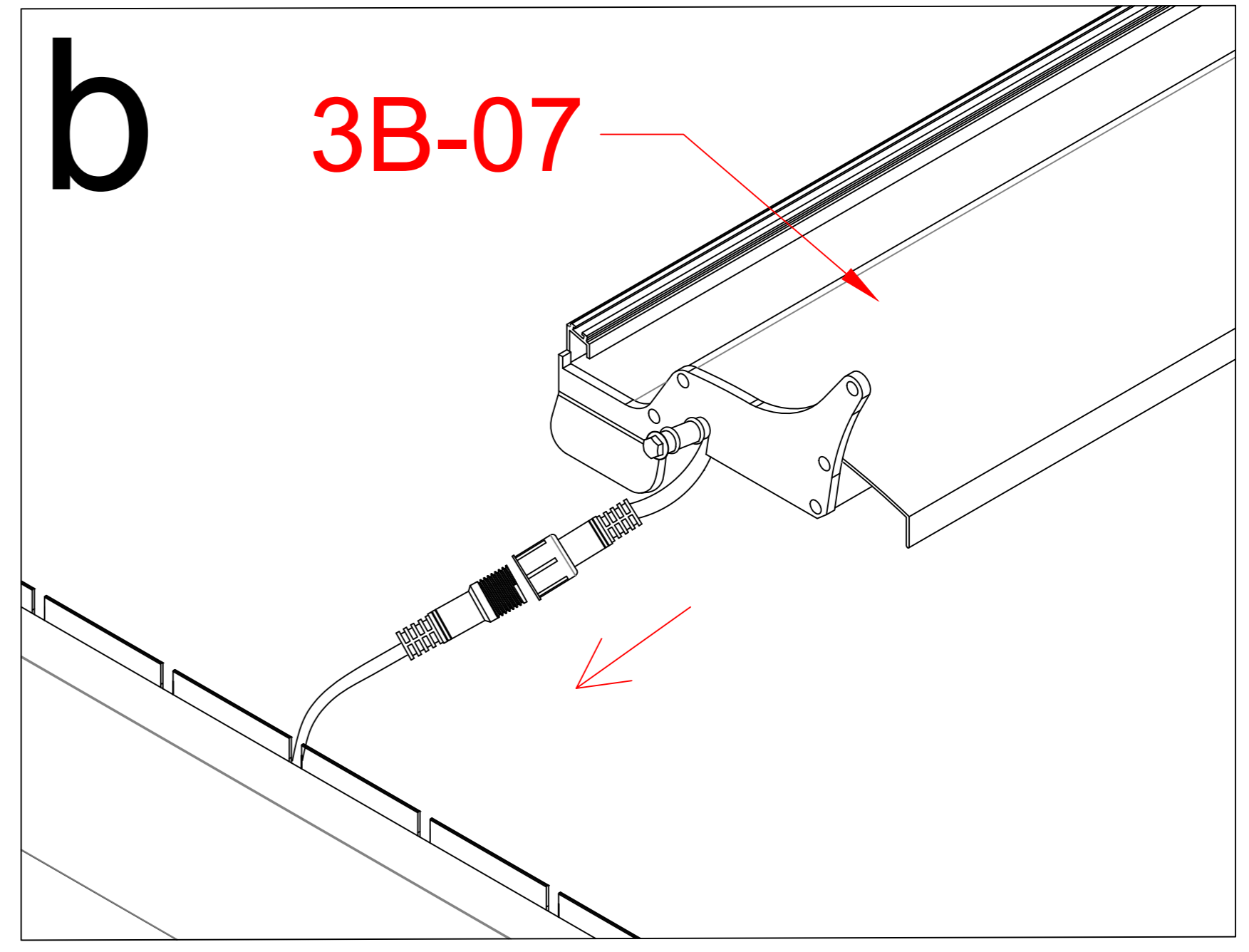
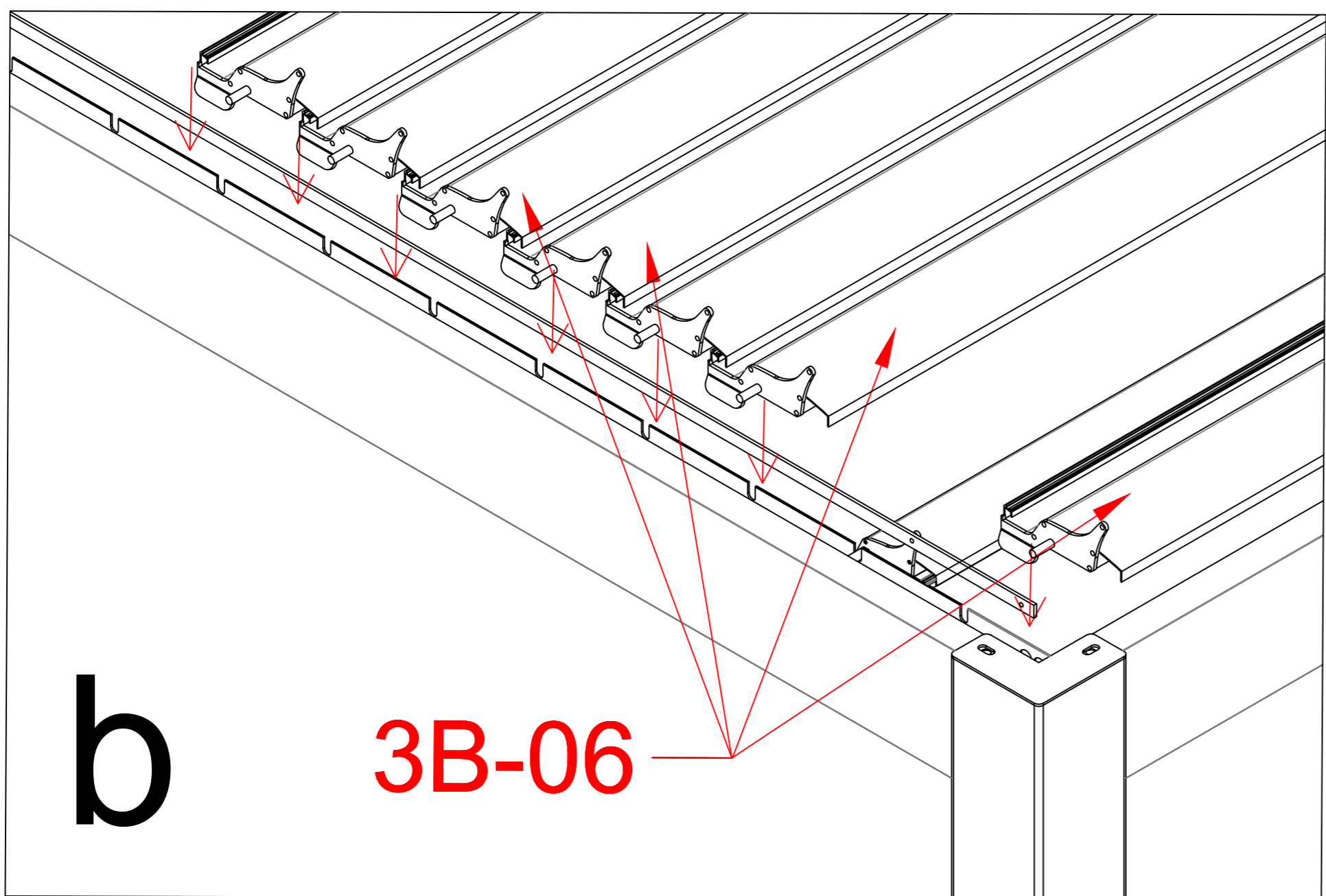
3B-51		76
3B-06	 	18
3B-48		15
3B-07	 	4
3B-48B		4



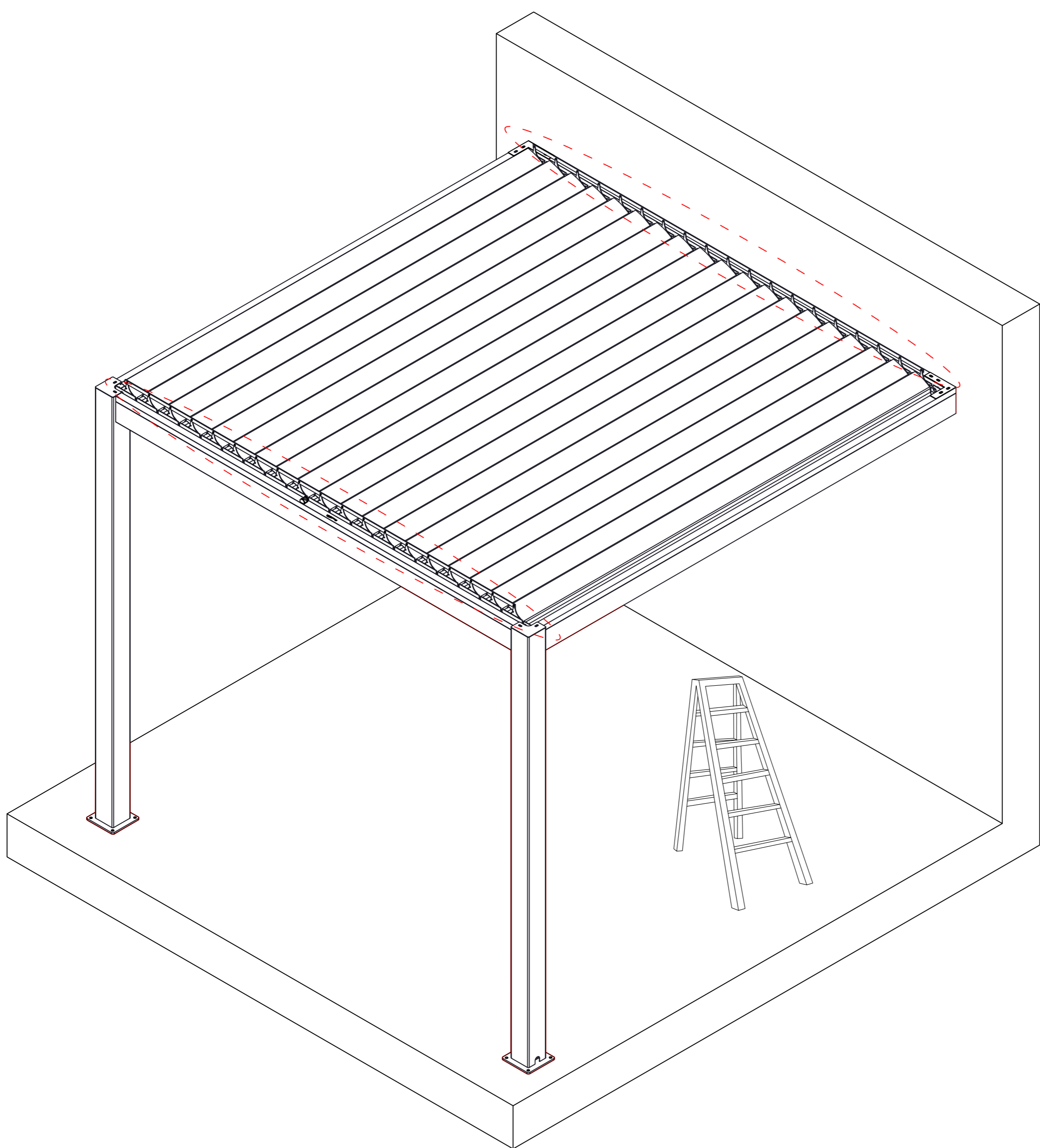


3B-49		15
3B-49B		4
3B-07		4
3B-51		76





Connecting the male and female connectors, then put them into the holes in the main beam, and finally insert the plugs.

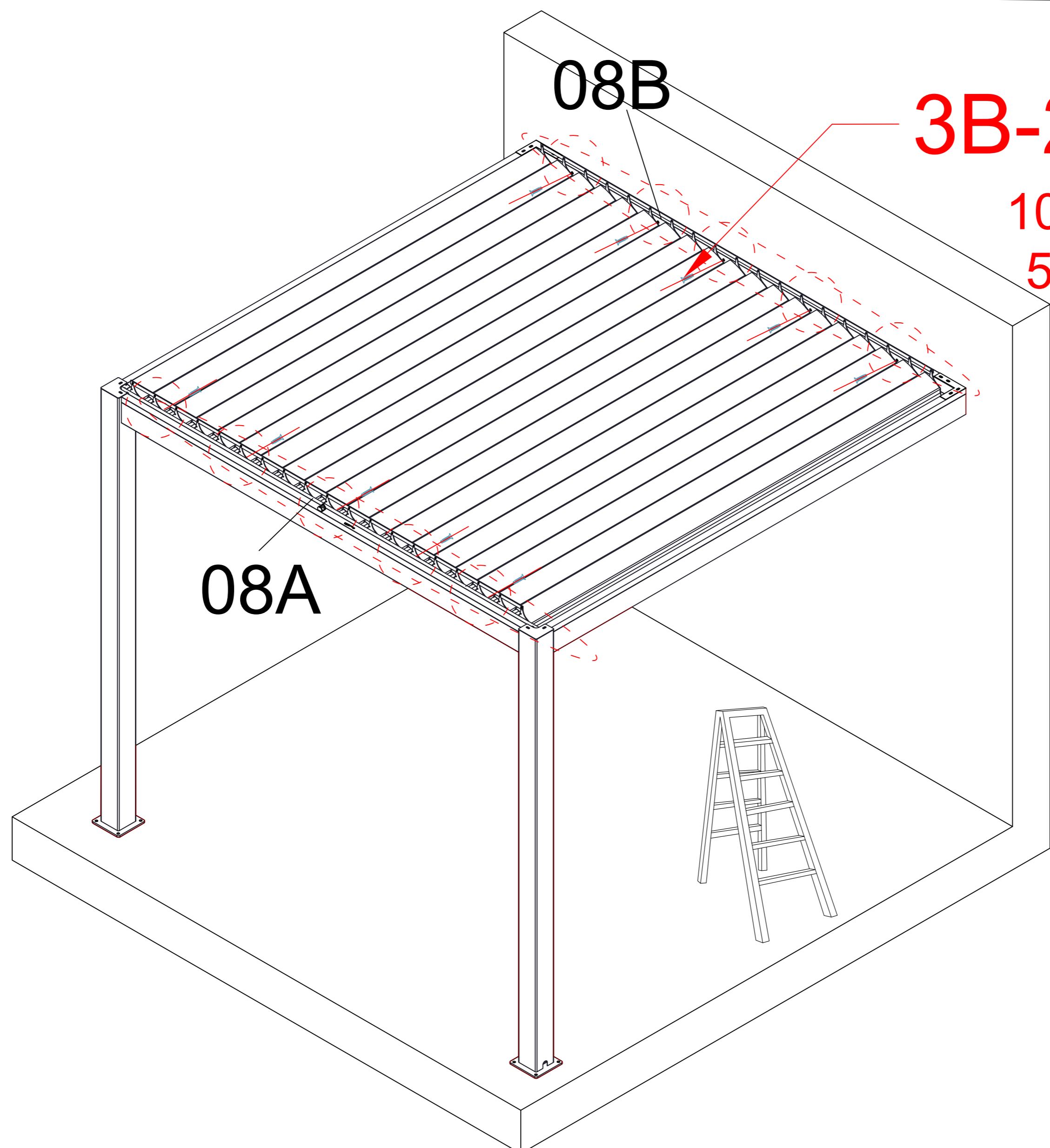
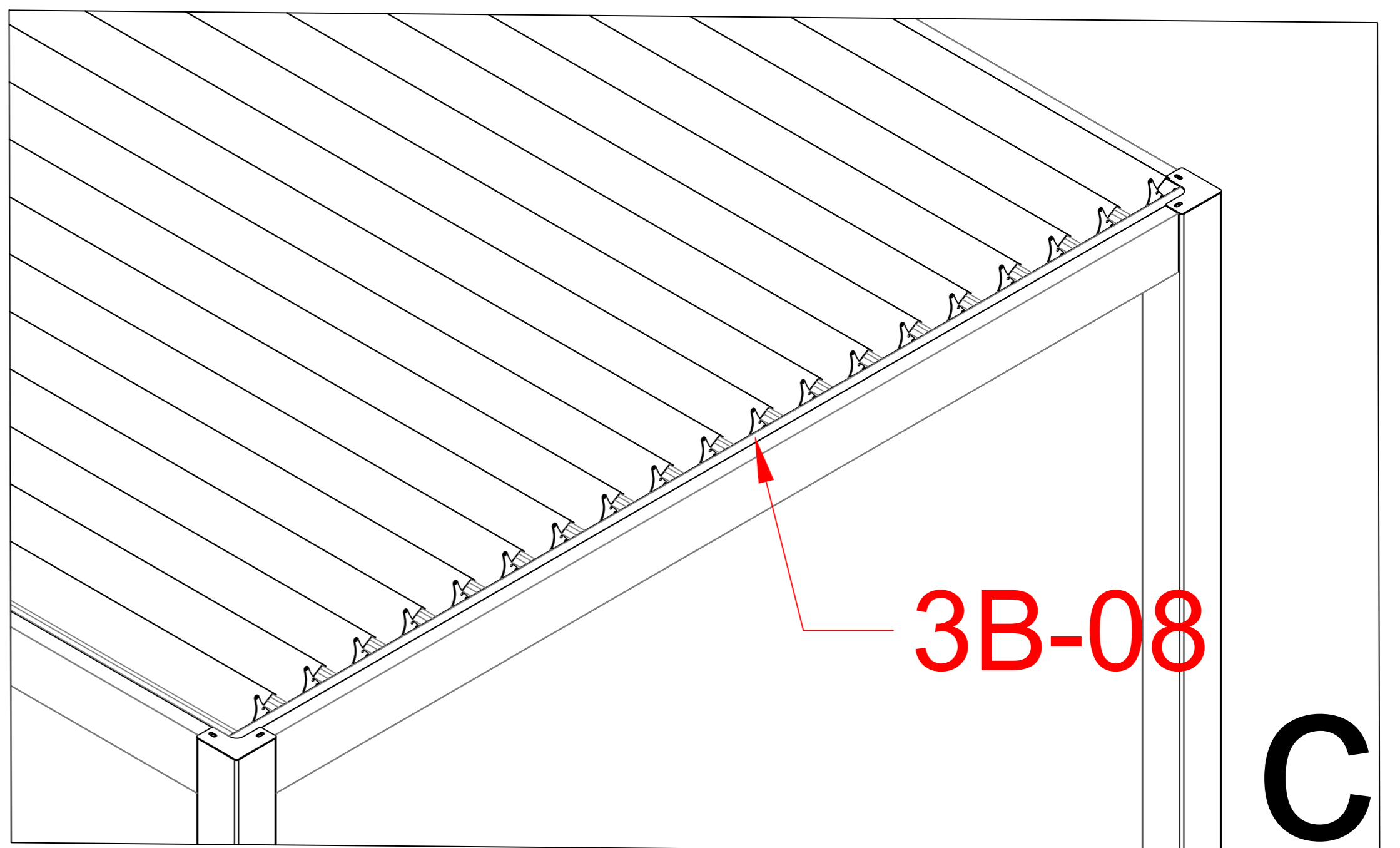
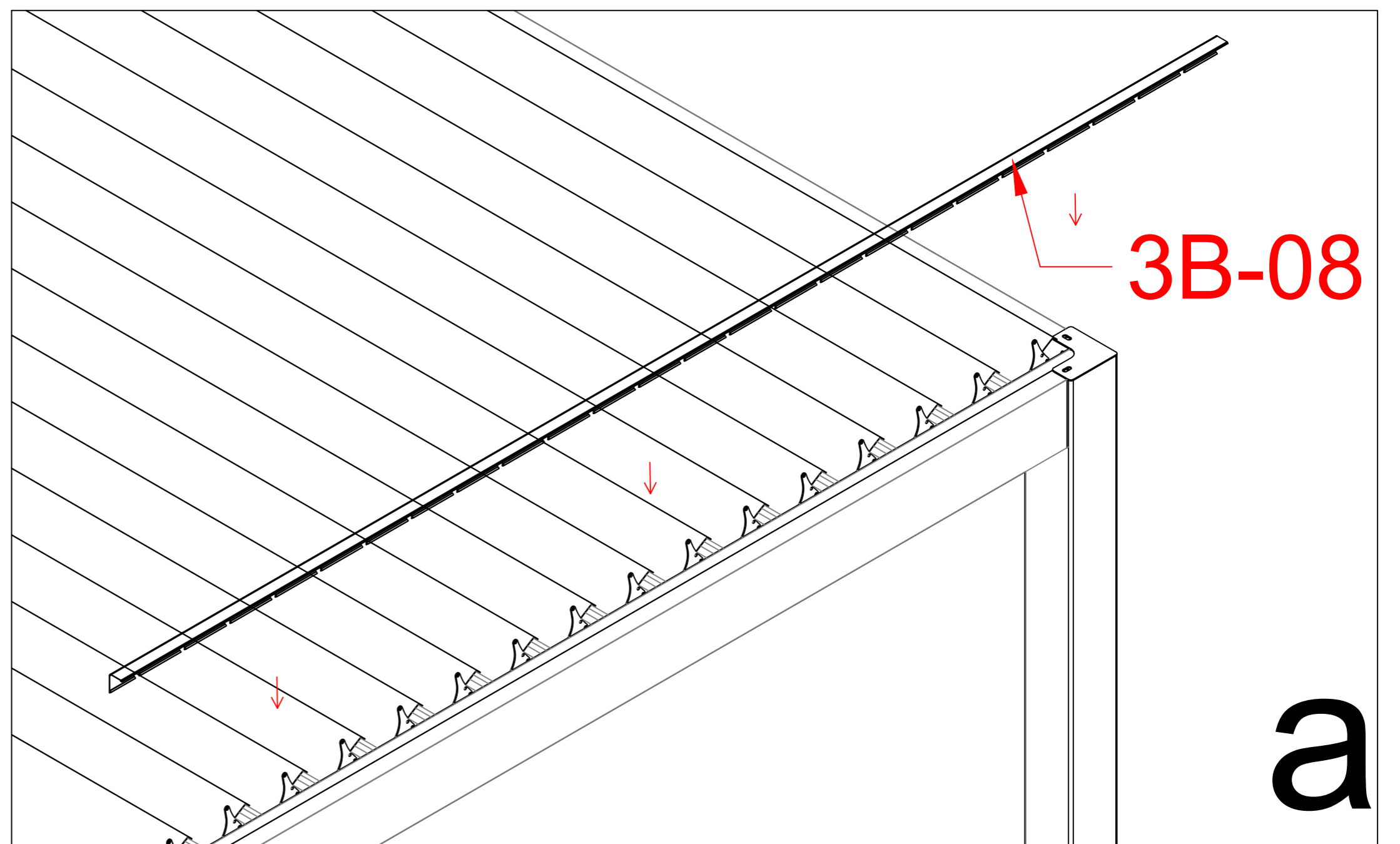
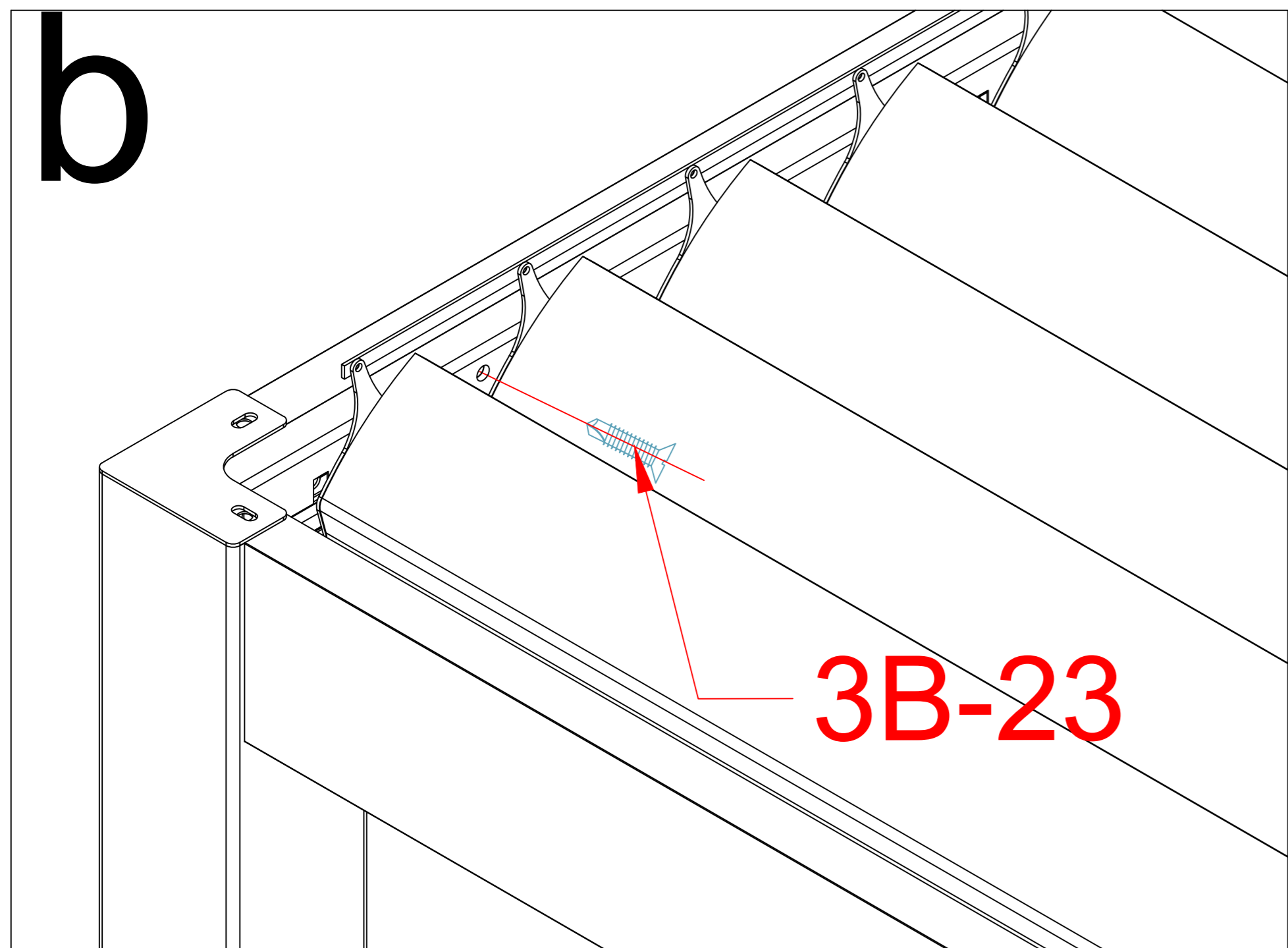


3B-57		4
3B-06		15
3B-07		4

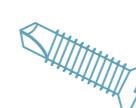
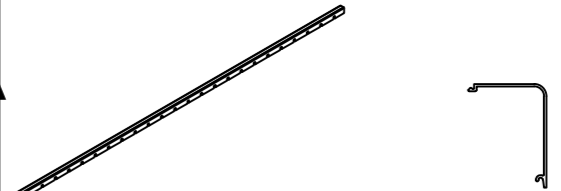




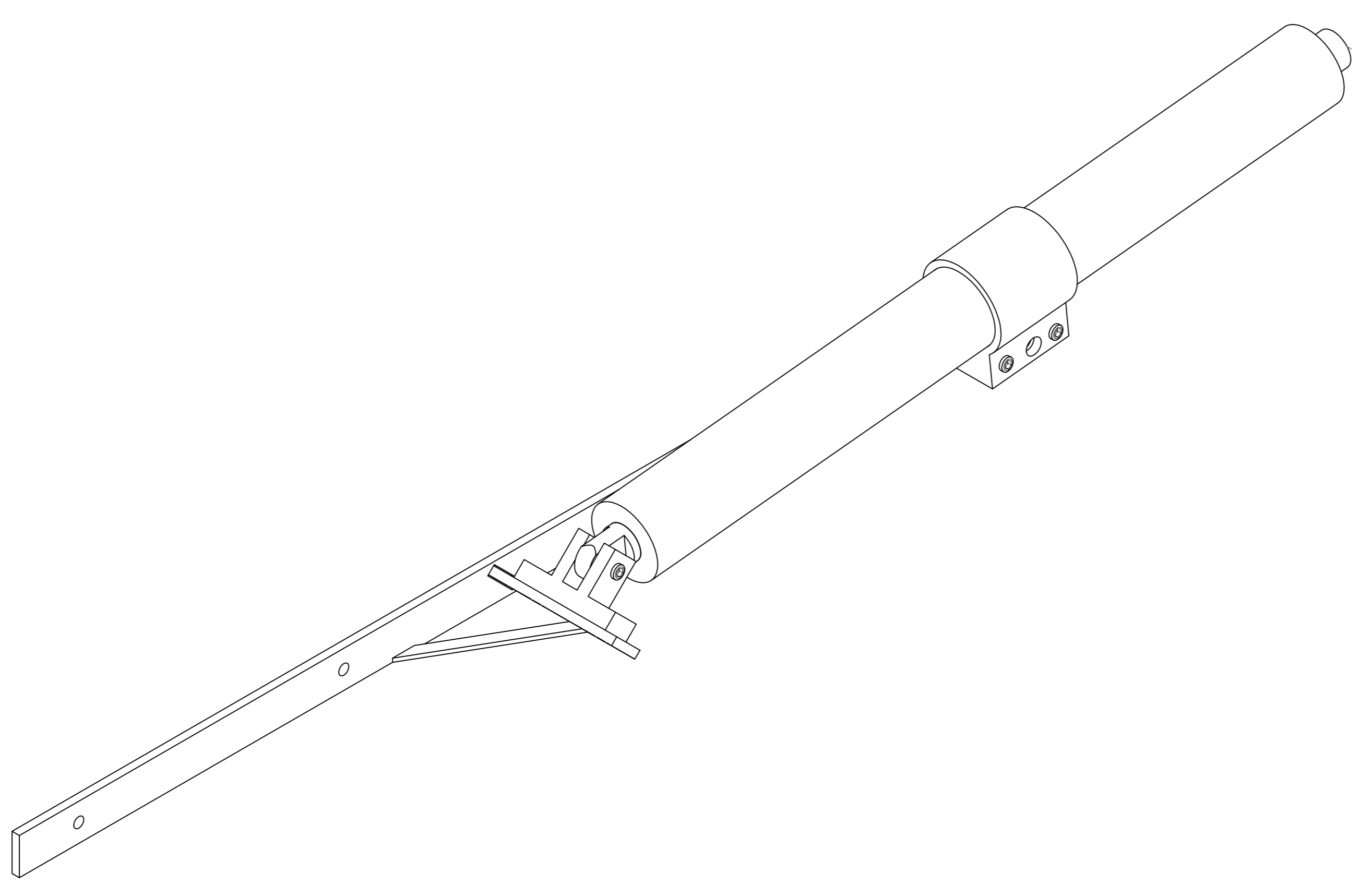
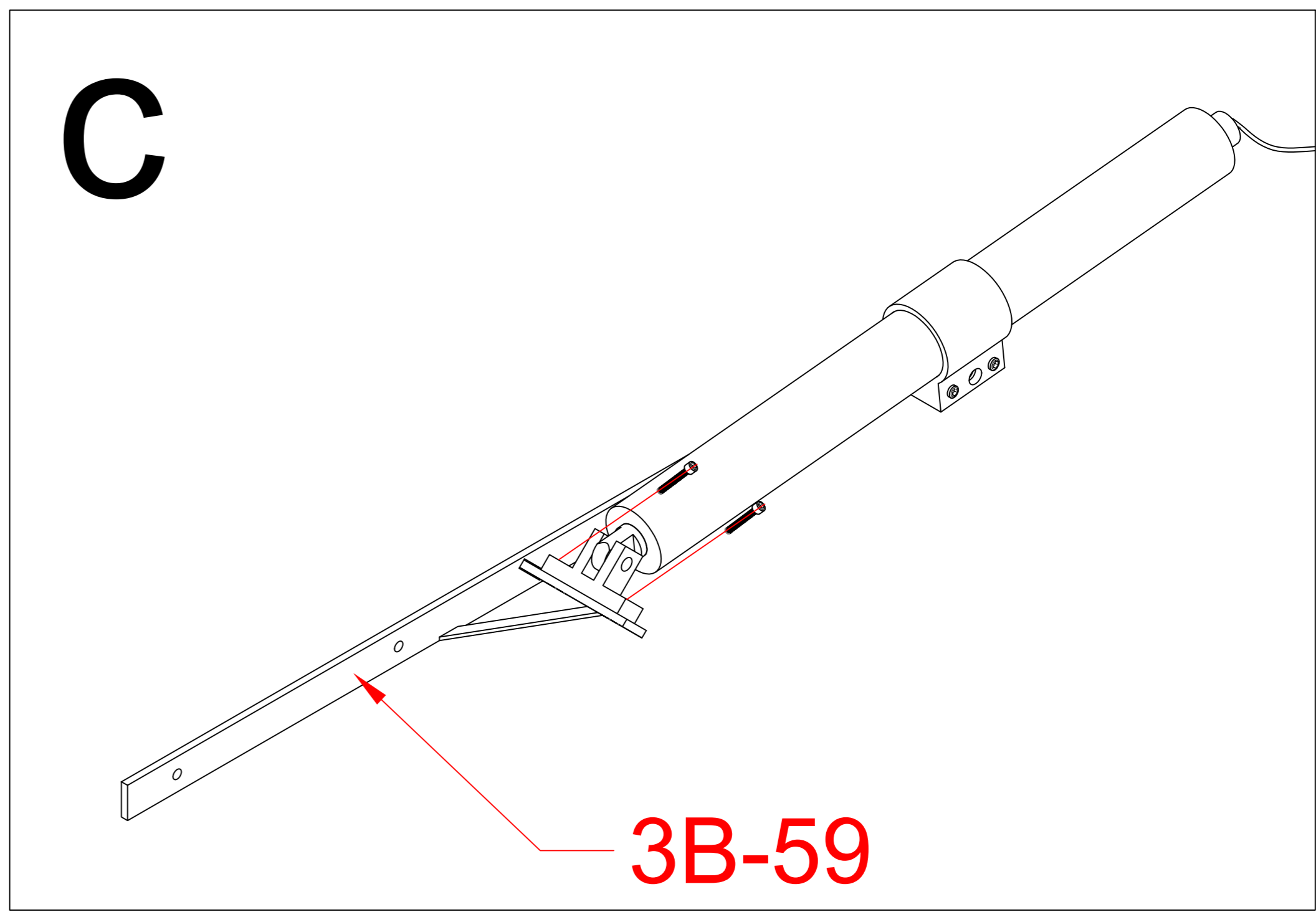
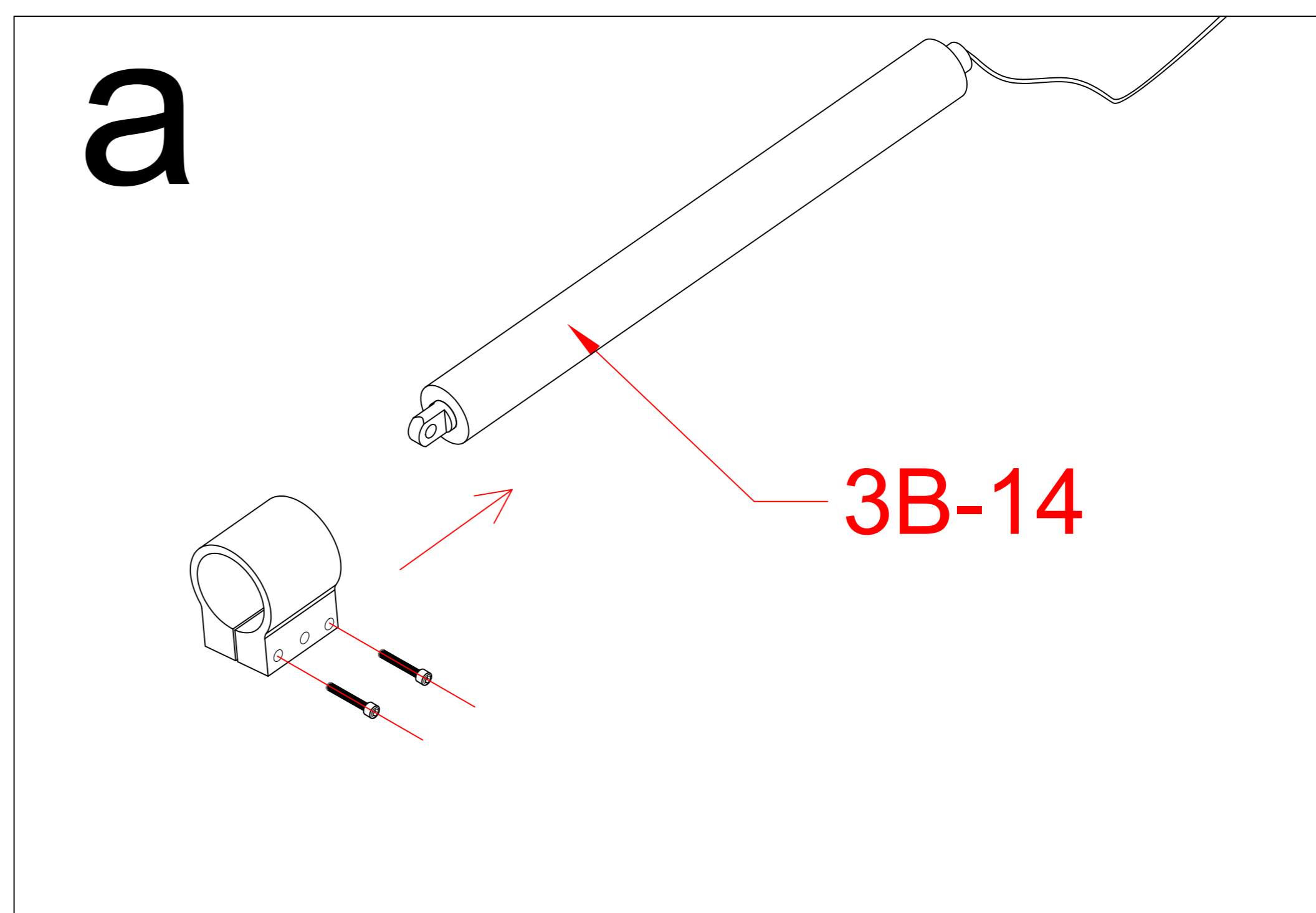
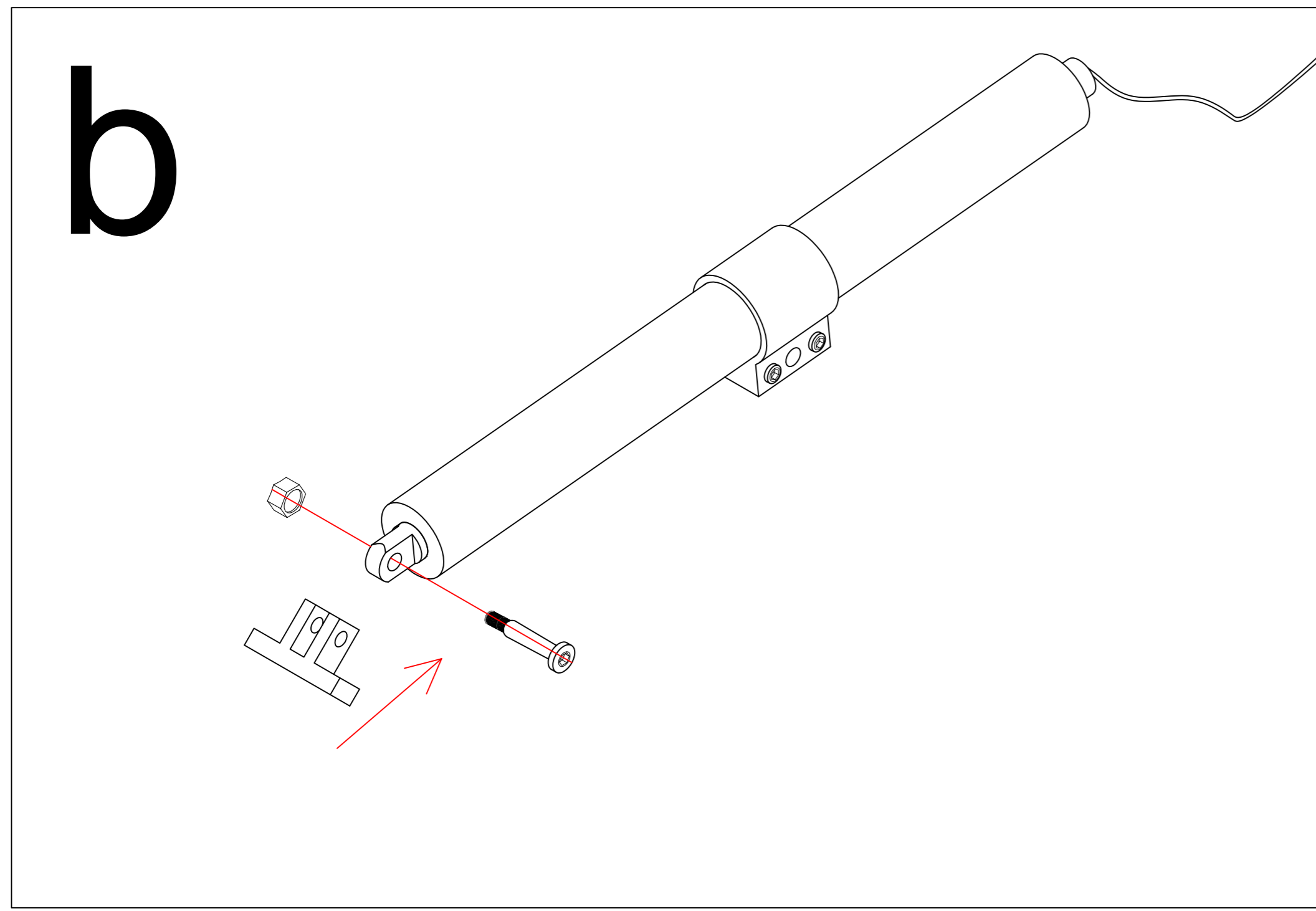
Attention: Please pay attention to differentiation during installation, as the hole positions on both sides are different



10 screws: 5 screws / strip
5M:20 screws: 5 screws / strip

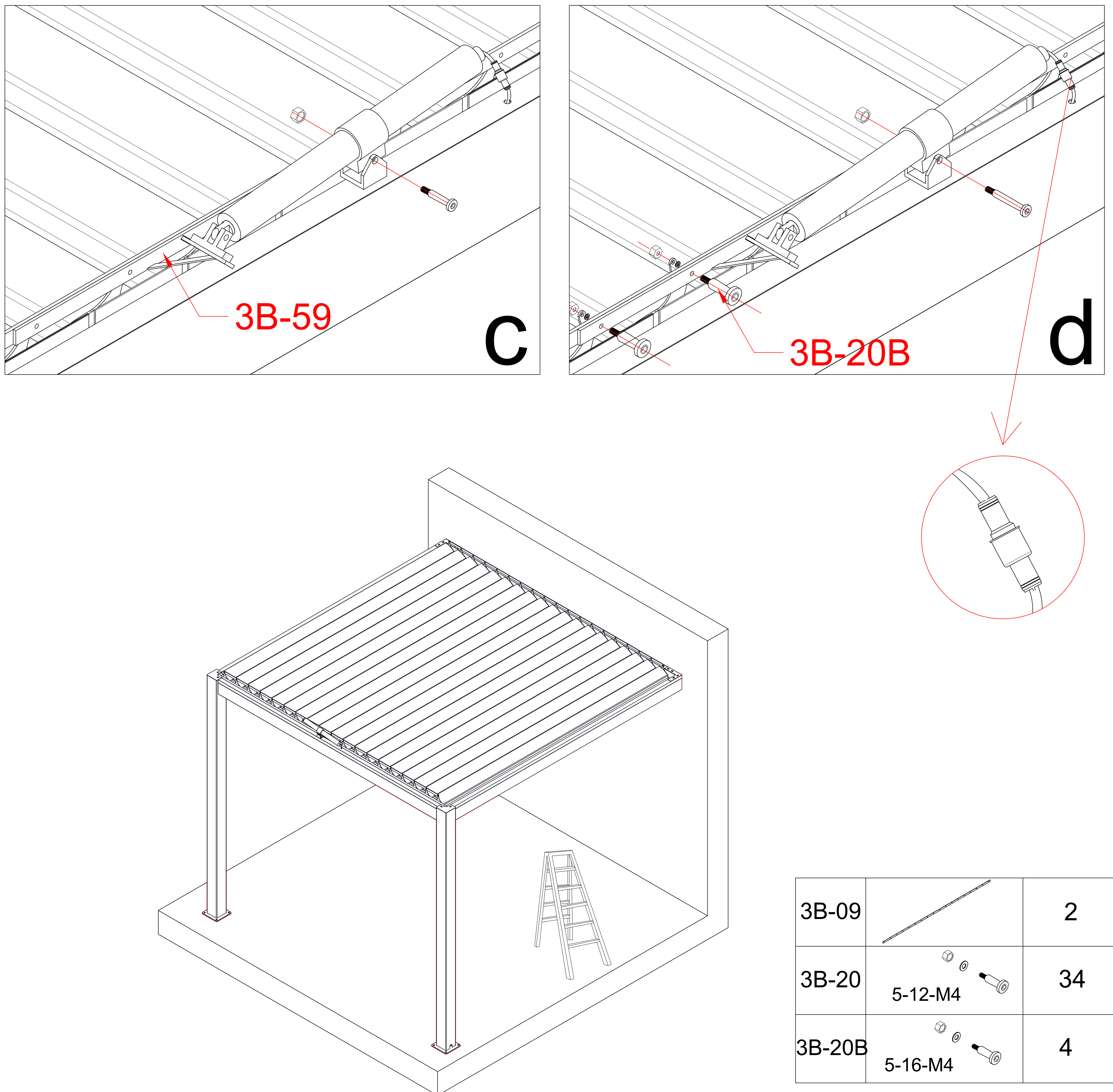
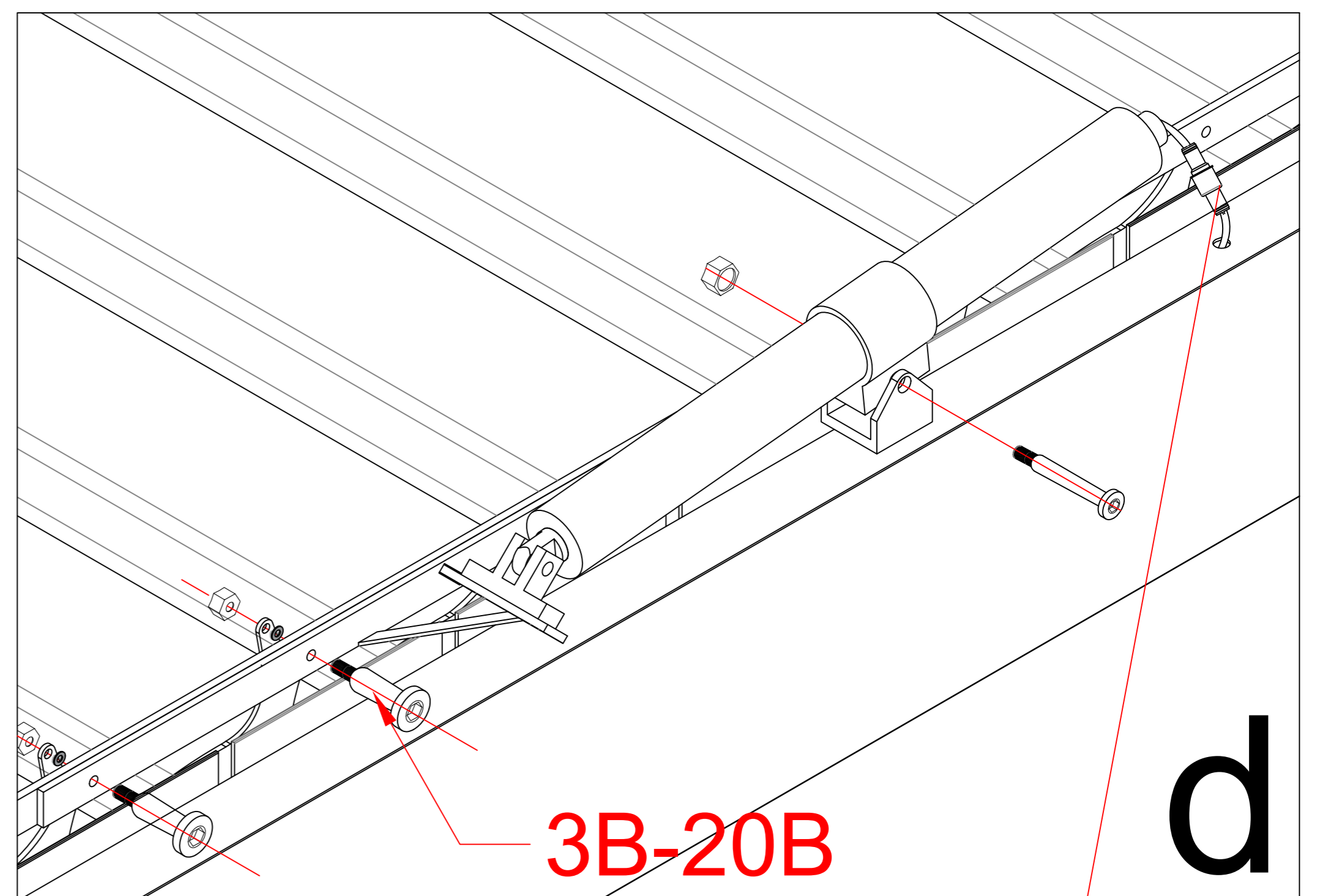
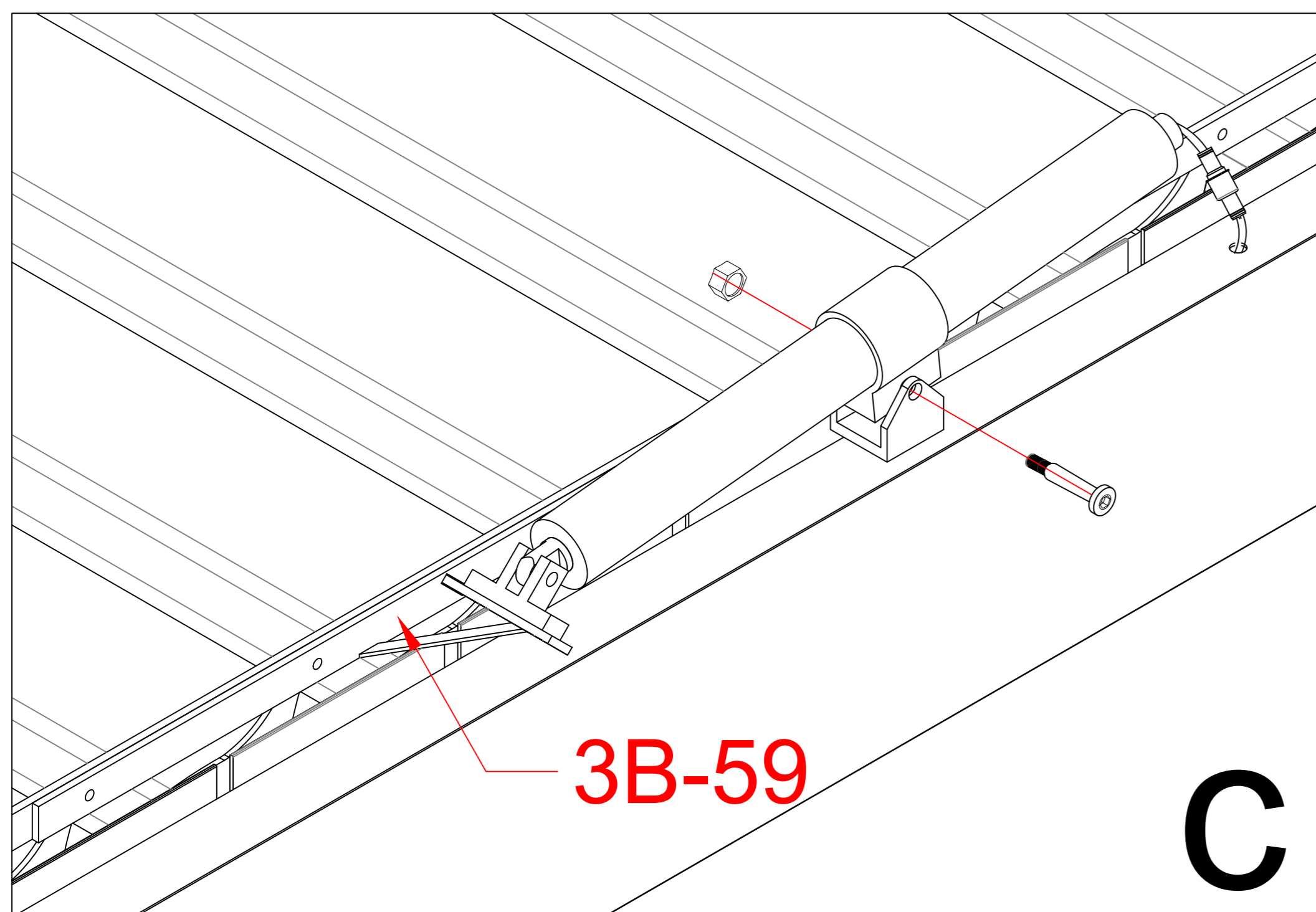
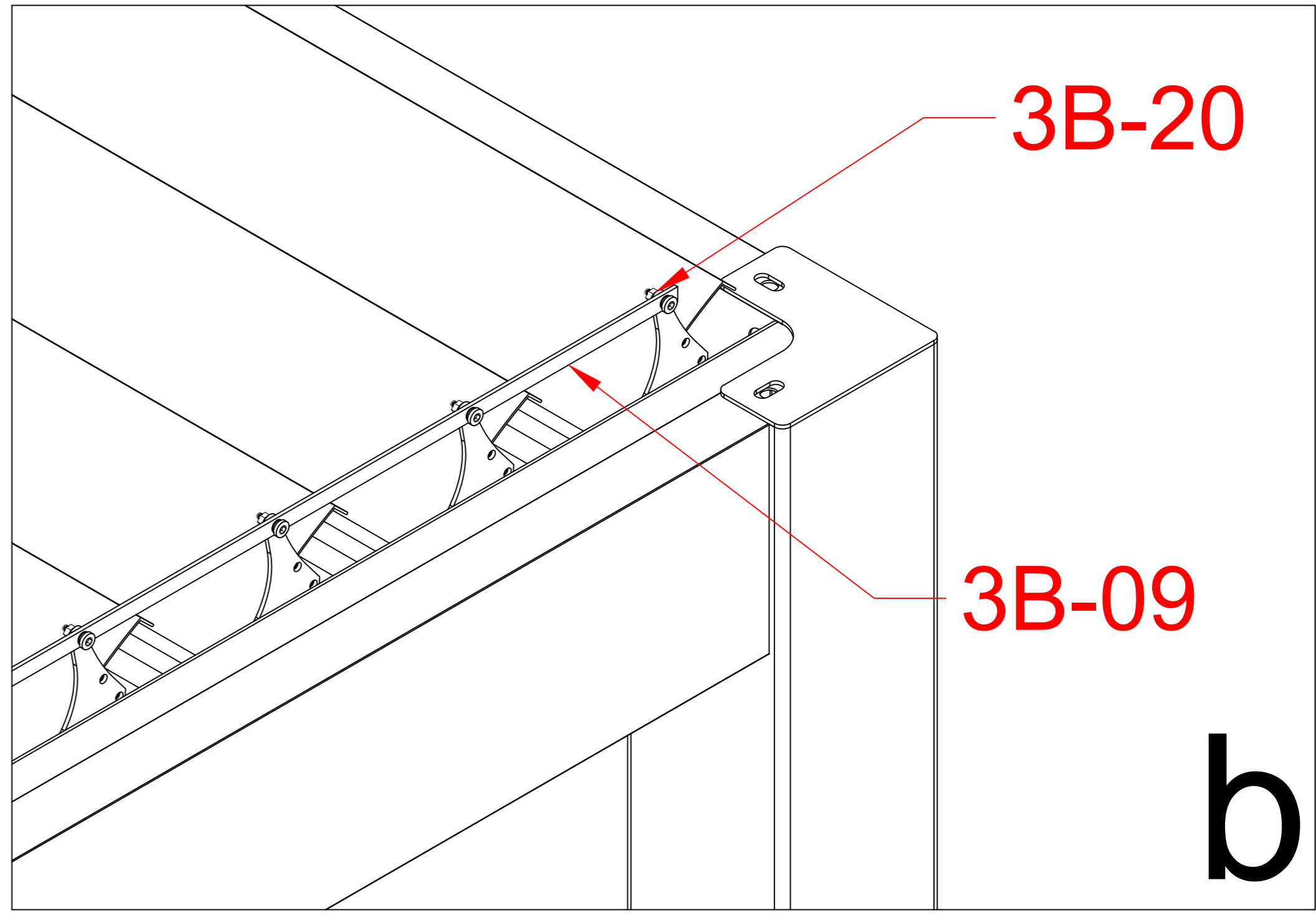
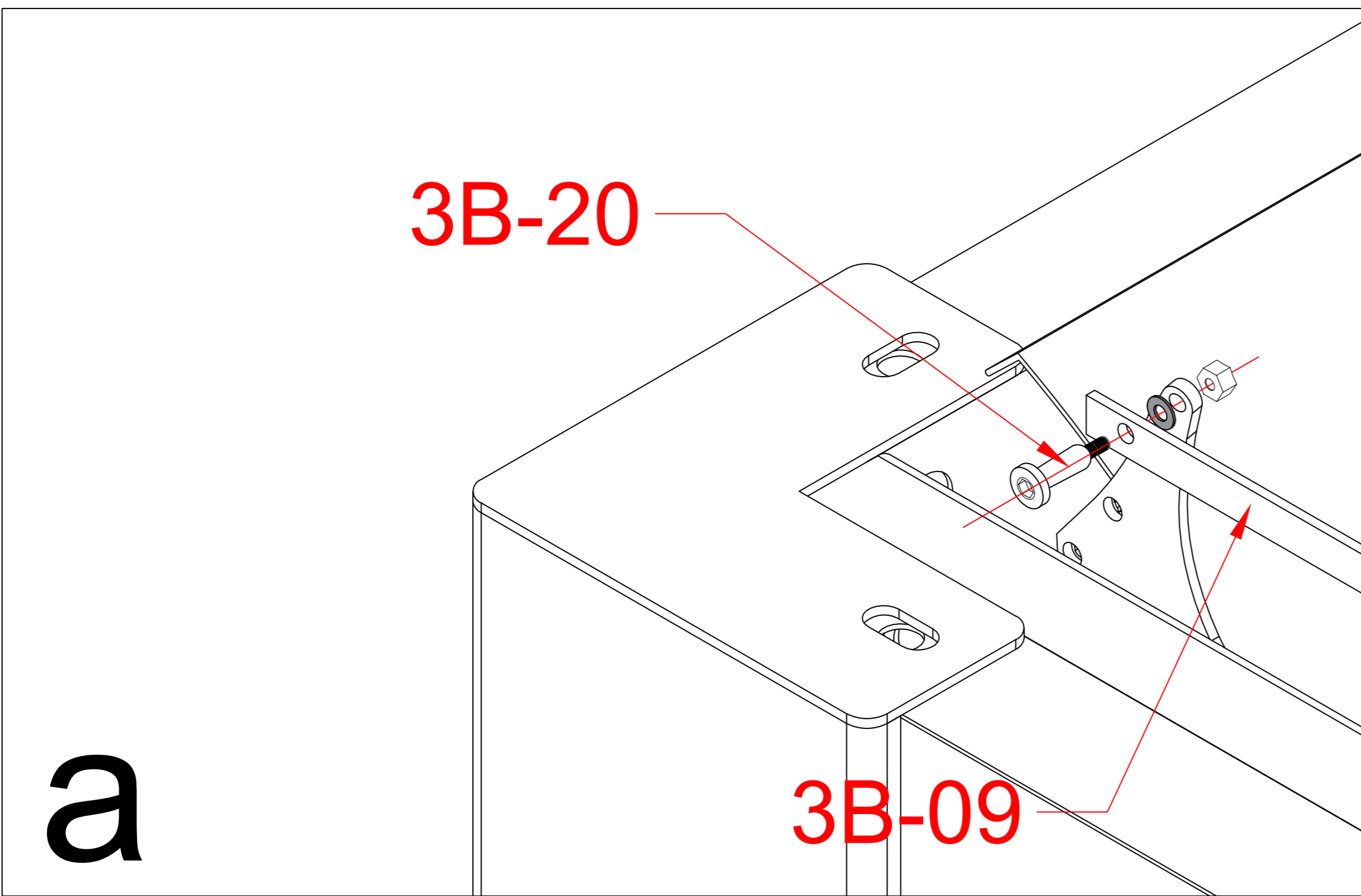
3B-23		10
3B-08A 08B		2





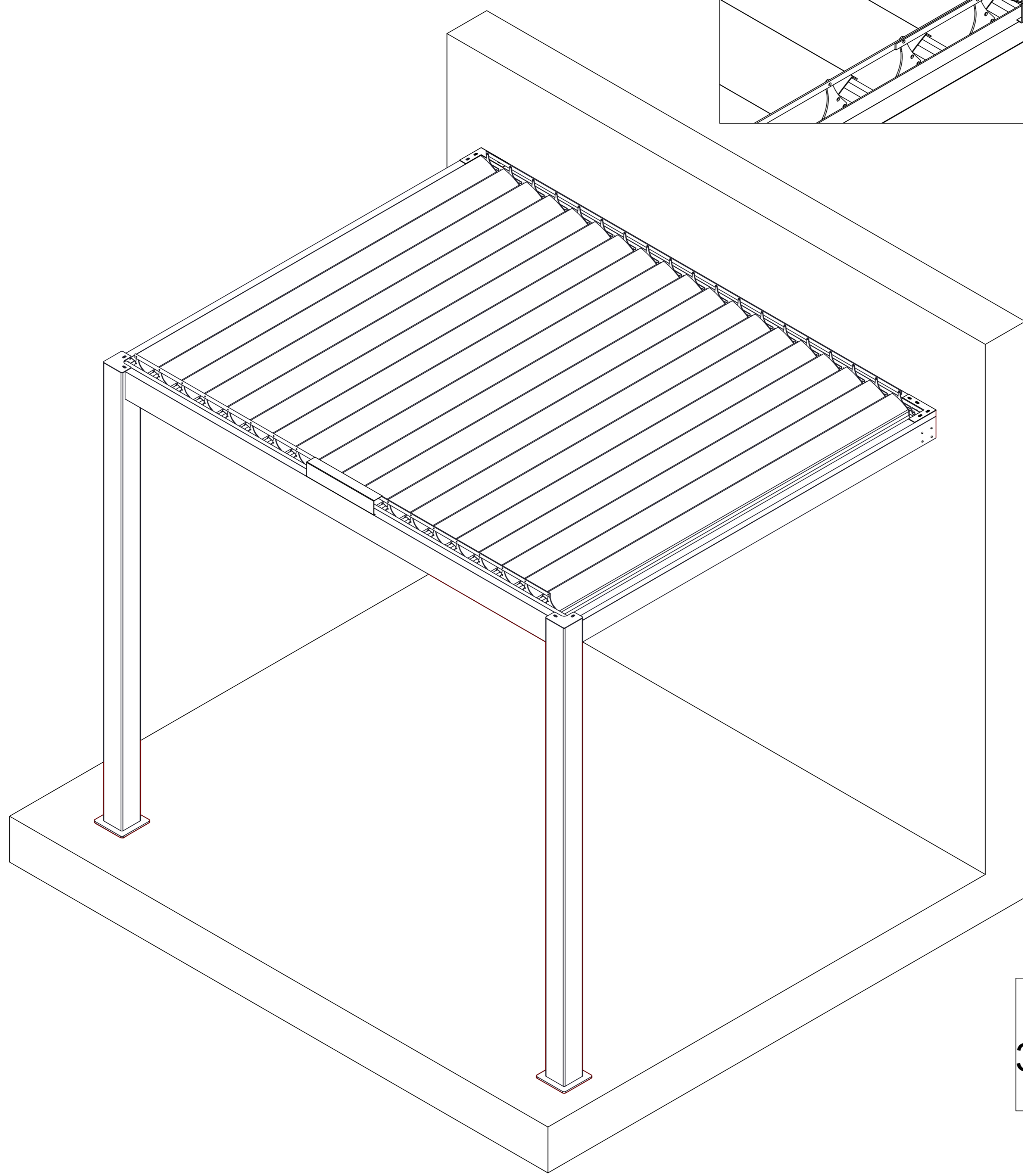
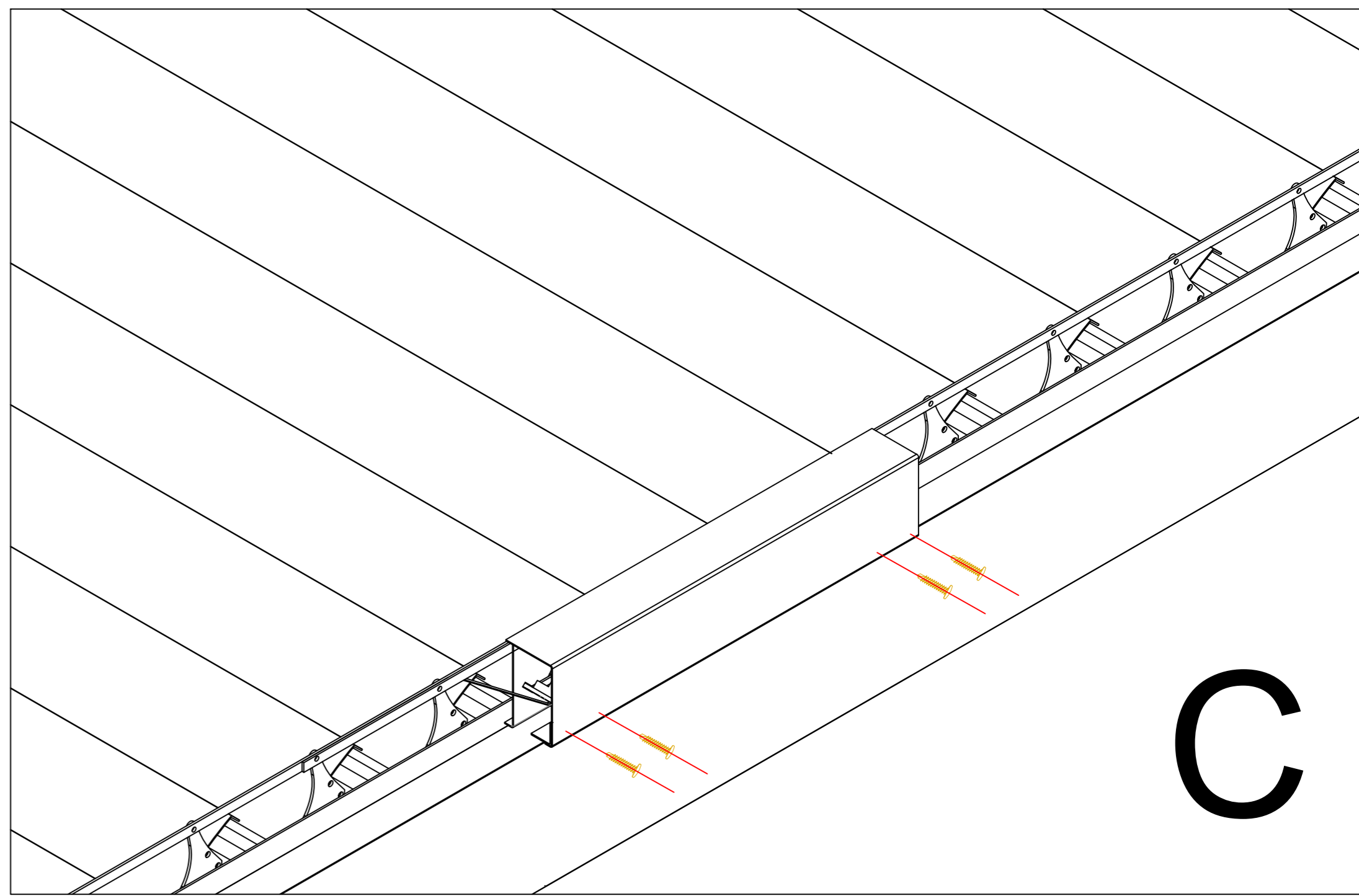
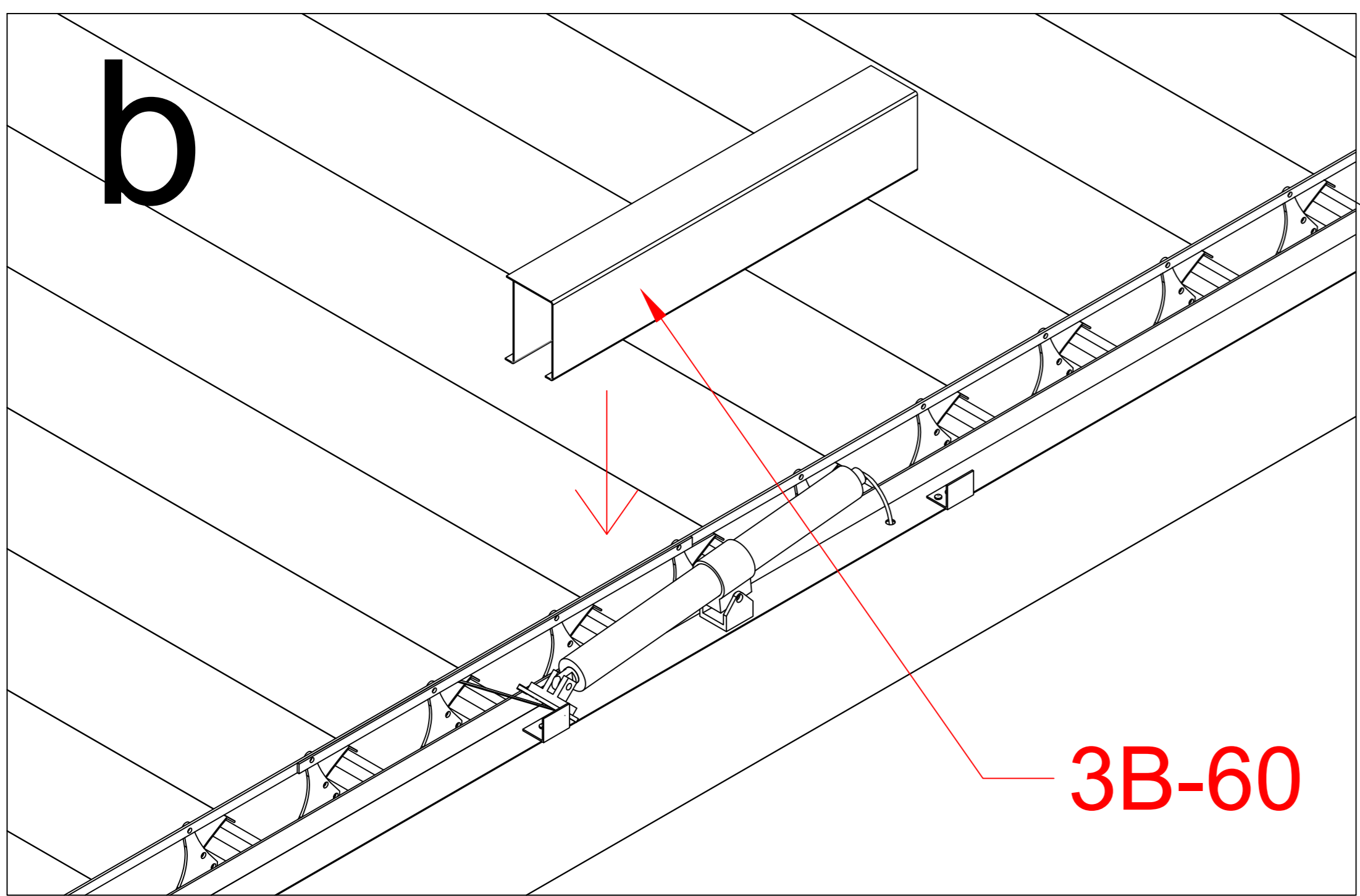
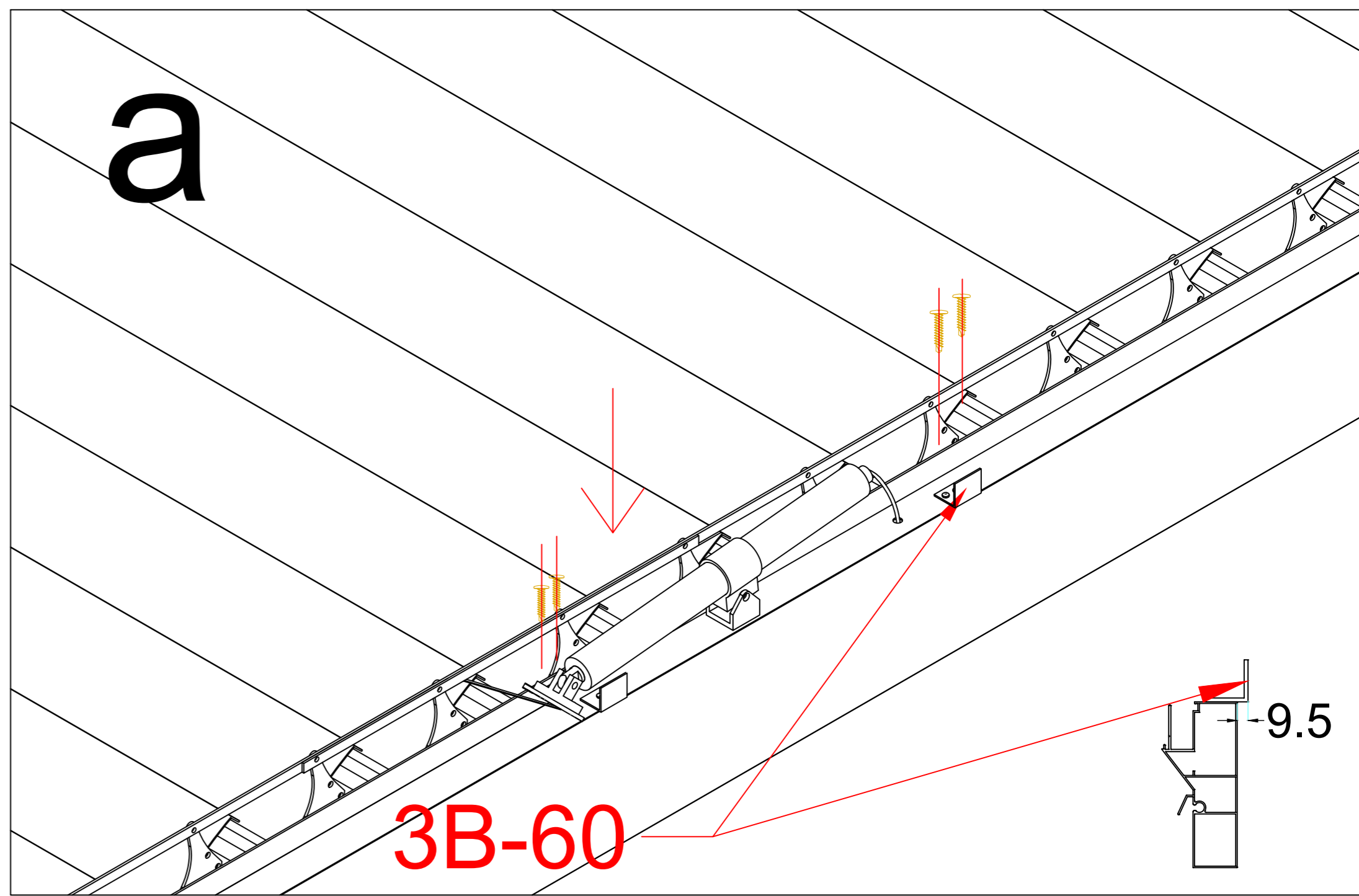
3B-14		1
3B-59		1


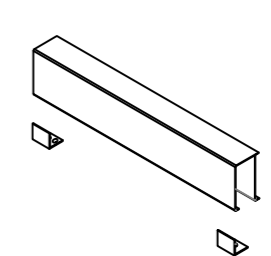




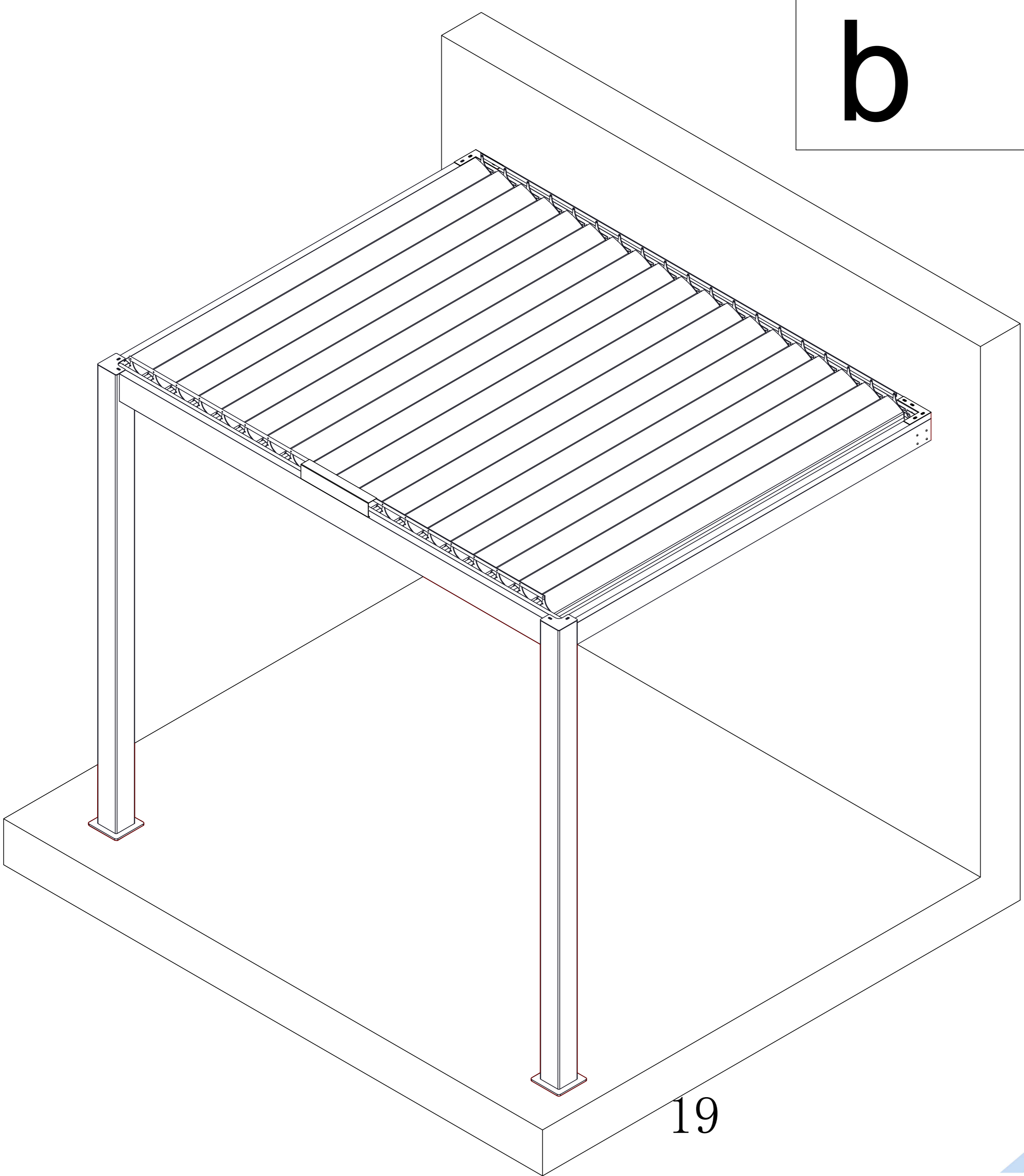
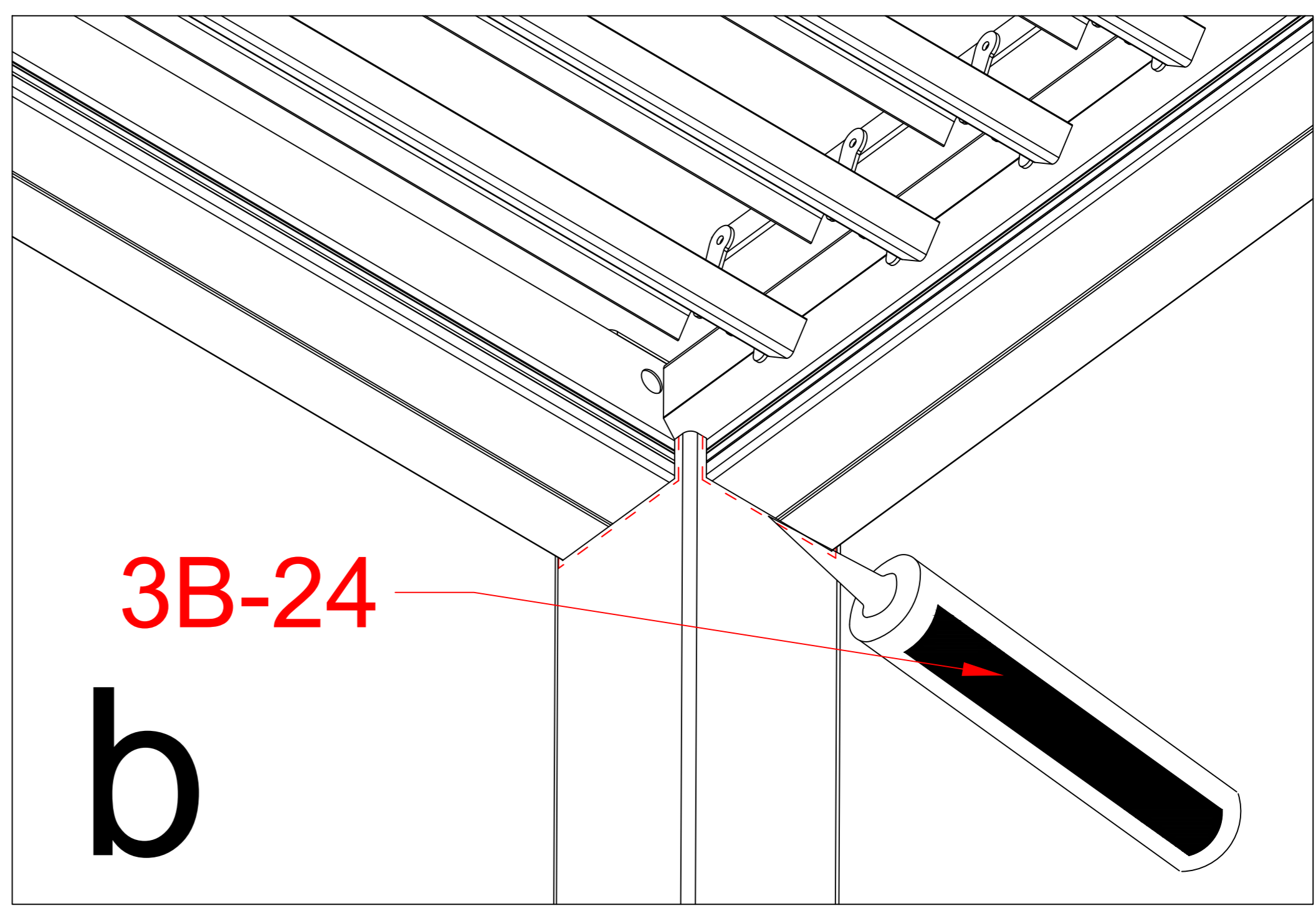
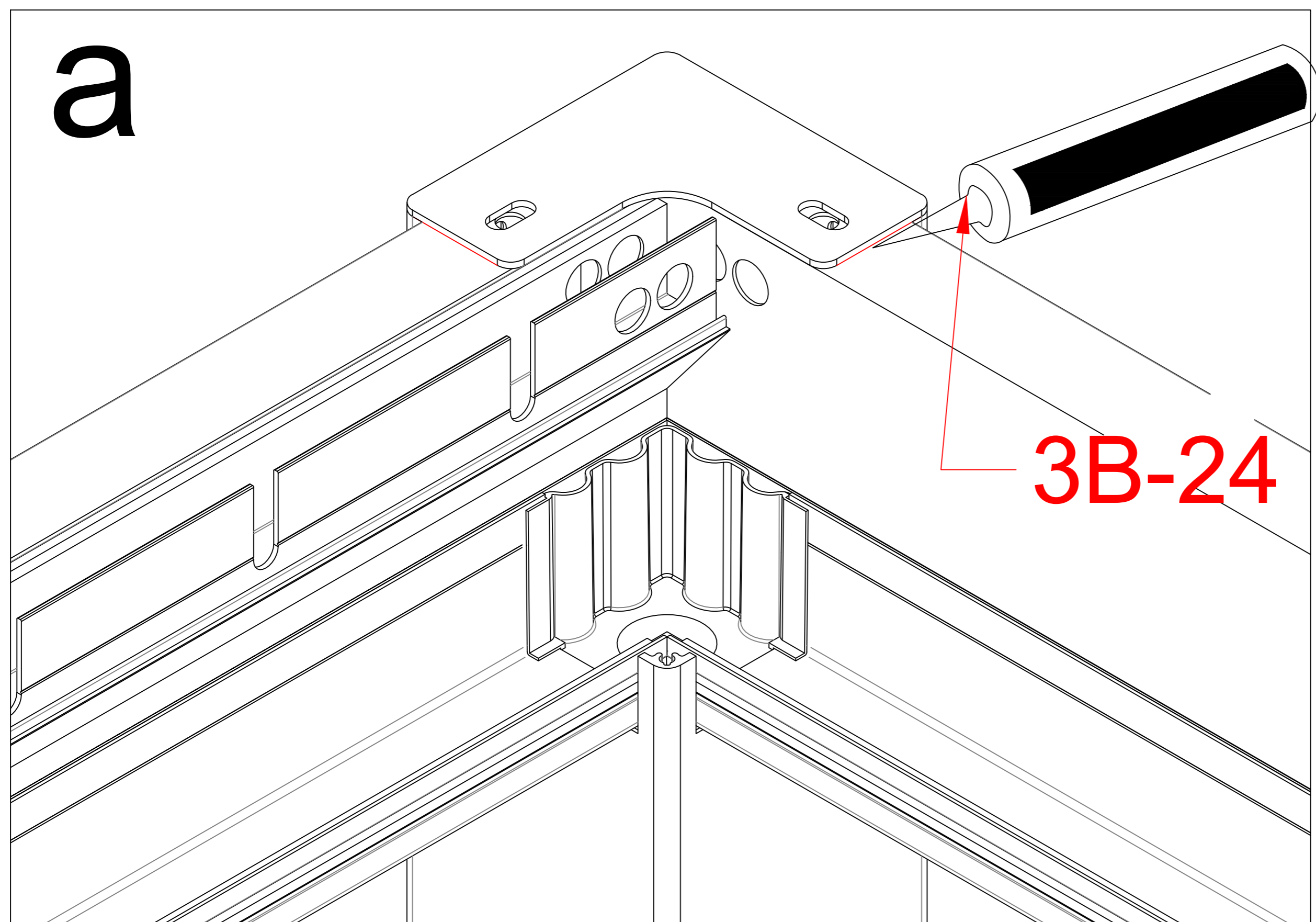
3B-09		2
3B-20	 5-12-M4	34
3B-20B	 5-16-M4	4





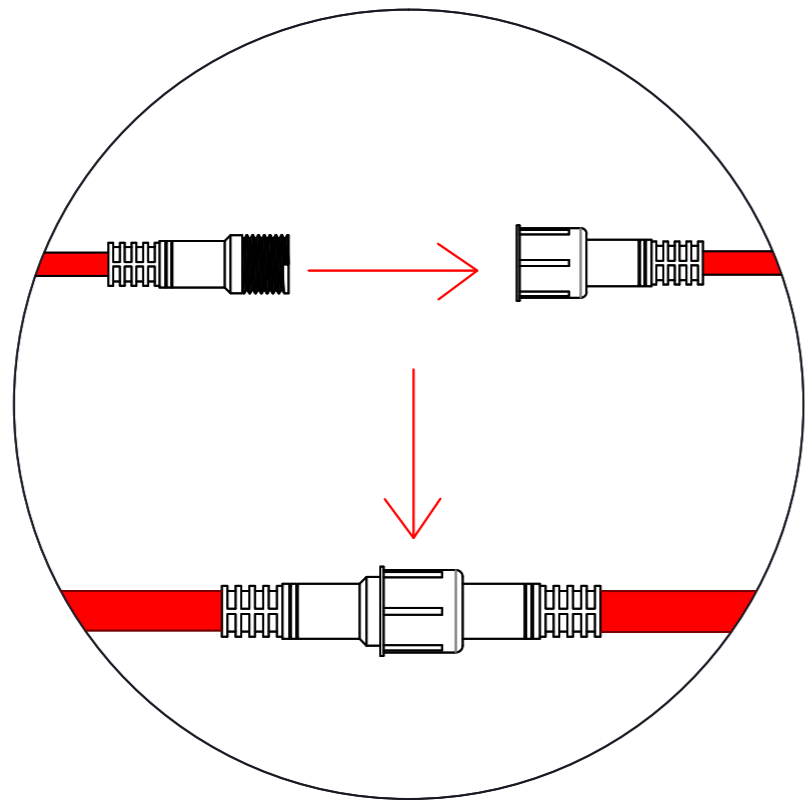
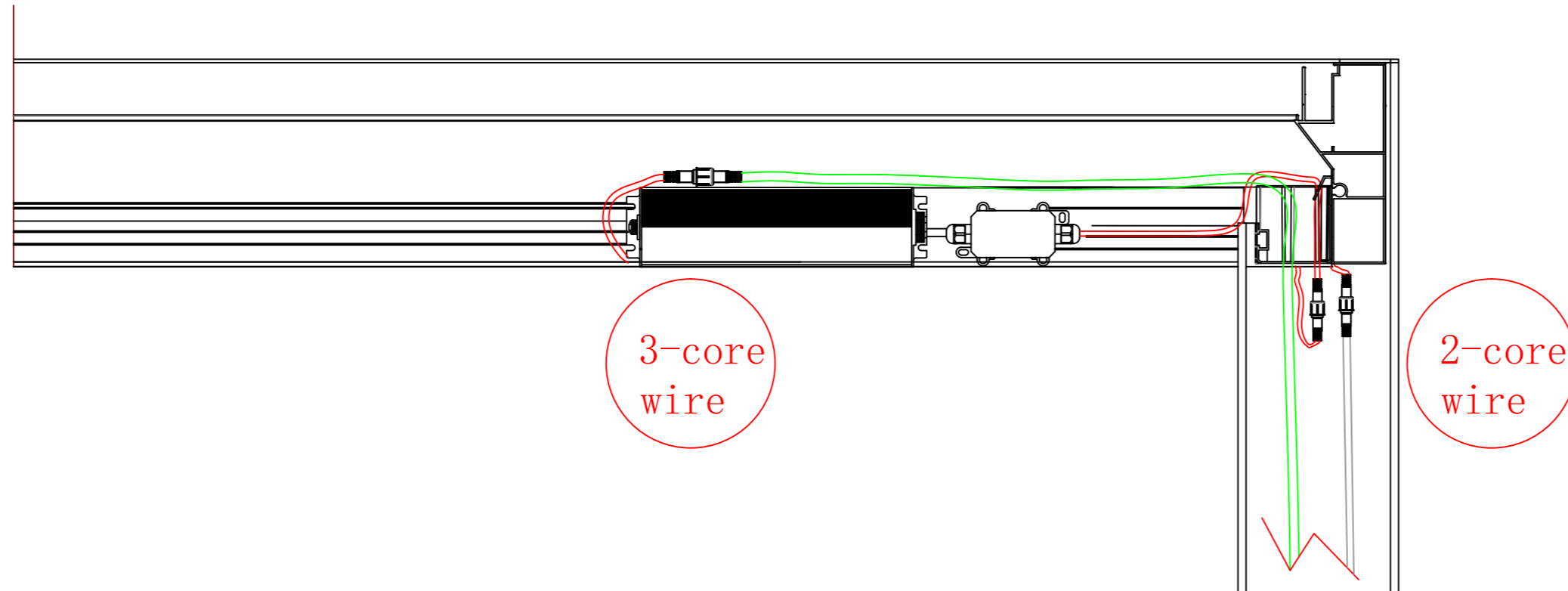
3B-60	  M4.2*19/8pcs	1
-------	--	---





3B-24		1
-------	--	---





Wires Diagram

Power in: 220V
Power Out To
Motor: DC24V

