

LEFTON[®]
INSTALLATION MANUAL

**Single Knob Bathroom
Basin Faucet
with Temperature Display**

BF2201

Congratulations on the purchase of your new Lefton plumbing fixture!

Please keep the box and packaging materials until your product is completely installed. If you have any questions, require technical assistance or have any problems with your product:



DO NOT RETURN TO STORE

**Please contact our Customer Service Team
customer@leftonhome.com**

Have the model number available and retain a copy of your receipt with purchase date for reference.

If for any reason this product does not meet your expectations, please be sure to repack this product in the original box and packaging material to avoid damage during transit.

Prior to Installation:

- Make sure you have all necessary parts by checking the diagram and parts list. If any part is missing or damaged, please contact Lefton Customer Service at customer@leftonhome.com for a replacement.
- Turn off the hot and cold water supply at the angle stops and turn on the old faucet to release any built up pressure. Remove existing faucet. Clean sink or countertop to remove any debris, plumber's putty, or silicone.
- Flush angle stops to release any debris prior to installation.
- Pre-drilled hole size requirement: 1 3/8" (min)
- Max countertop thickness: 1 3/4"

Tools Required

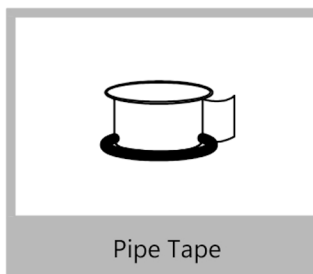
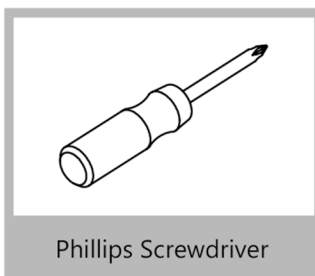
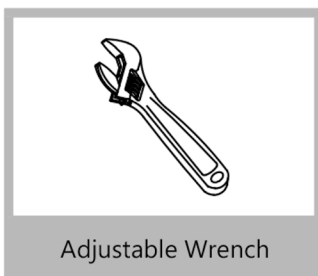
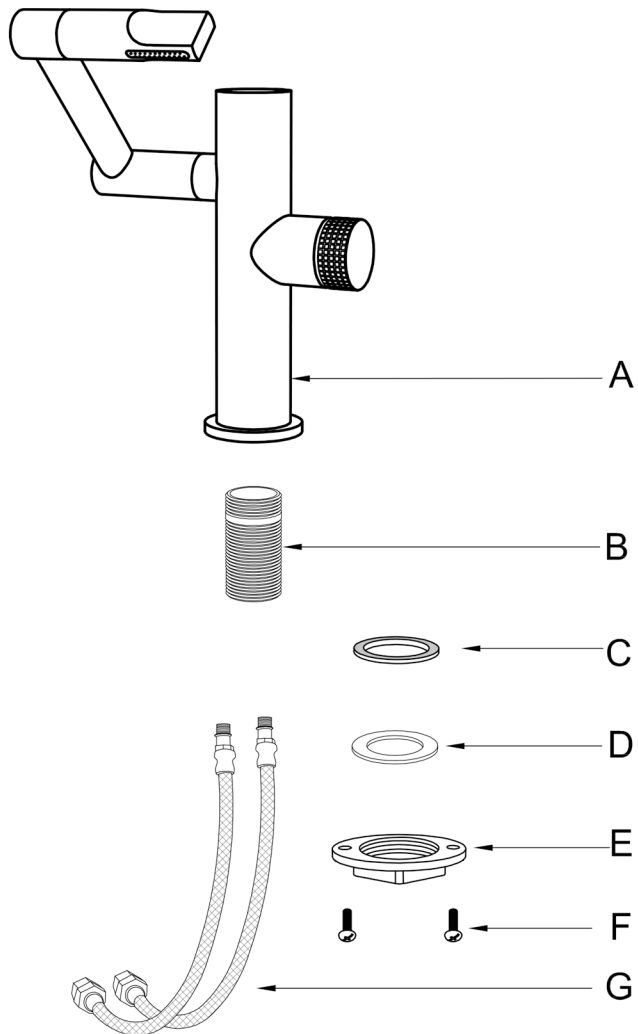
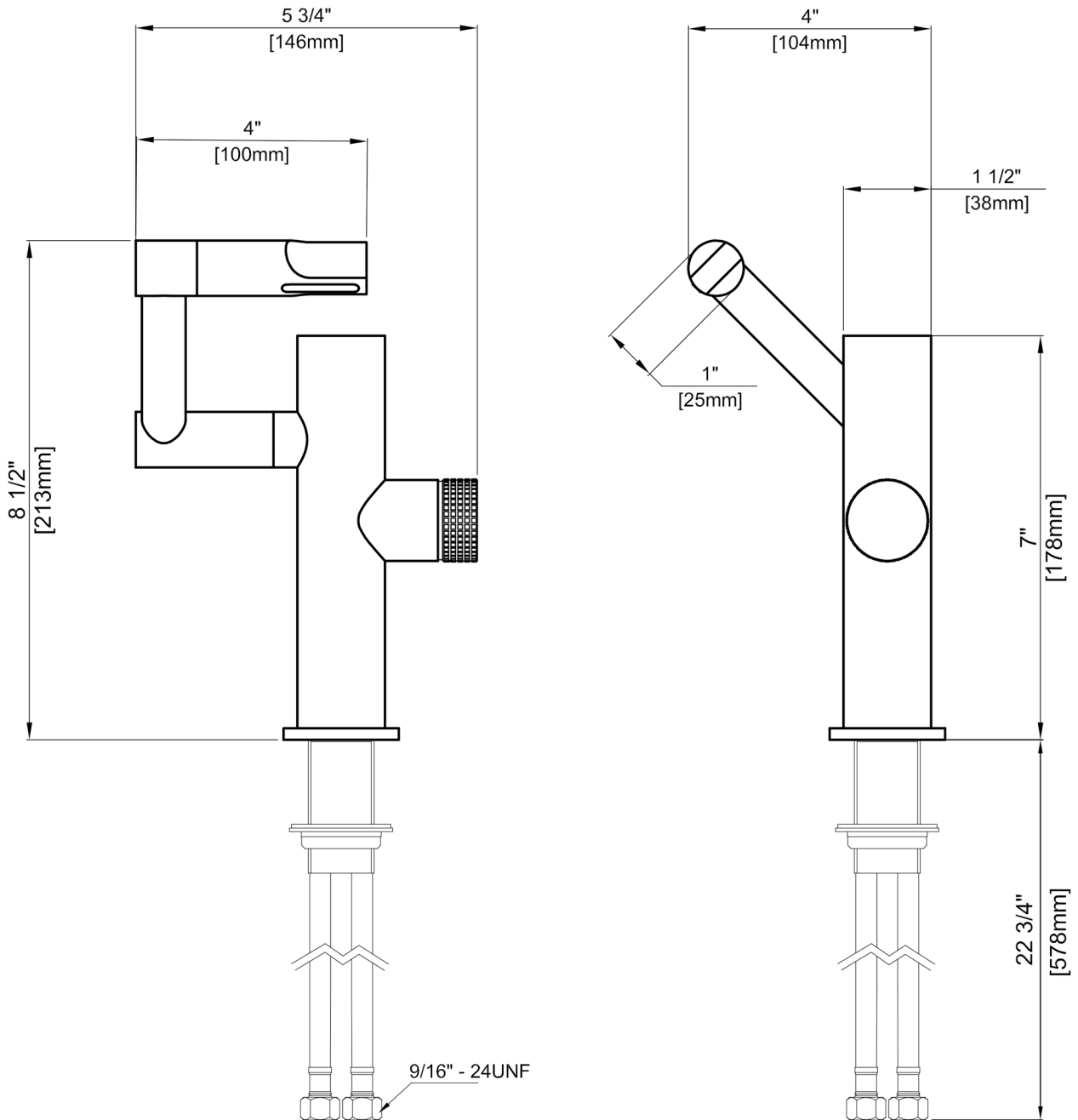


Diagram and Parts List



- A. Faucet Body
- B. Threaded Metal Pipe
- C. Rubber Gasket
- D. Metal Gasket
- E. Mounting Nut
- F. Mounting Screws
- G. Hot & Cold Water Pipes

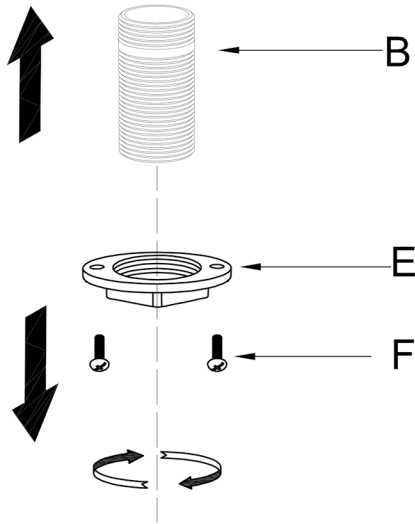
Faucet Dimension



Installer Tip:

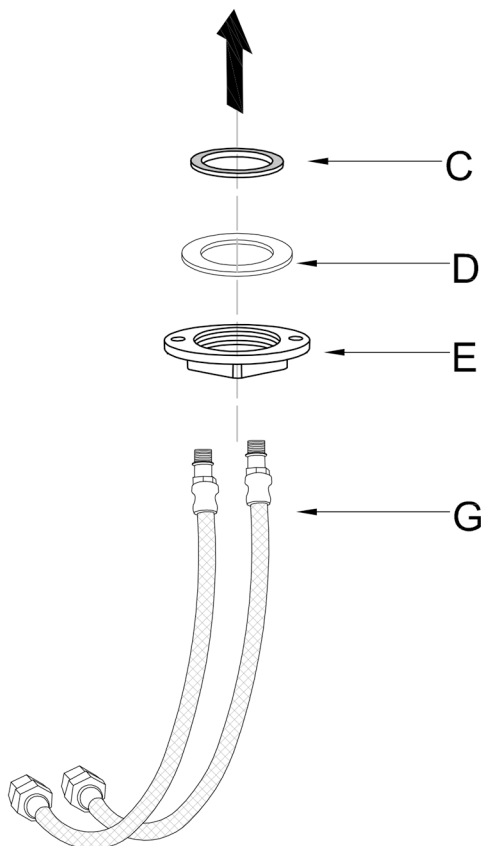
Shut off main water supply before installing new faucet.

Step 1. Remove mounting hardware



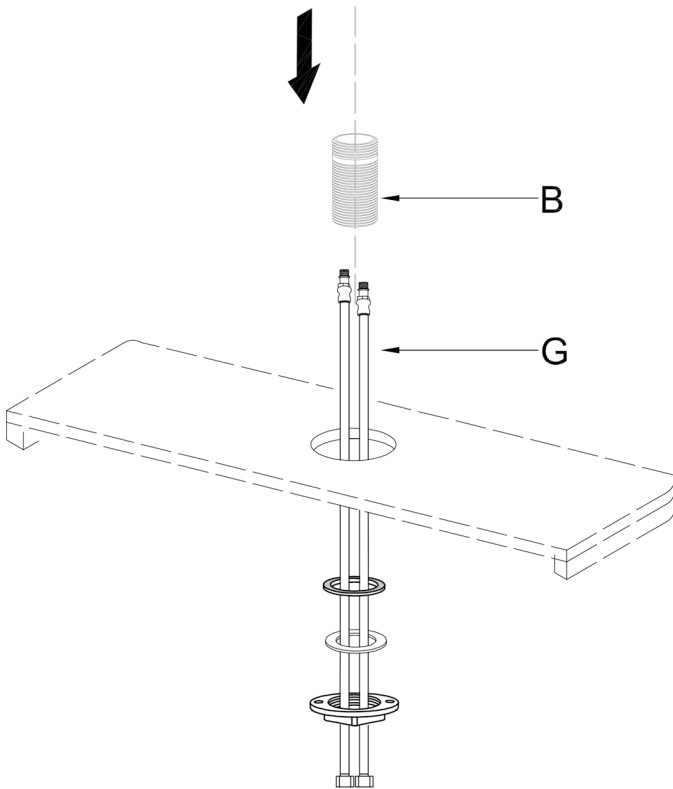
Shut off the water supply. Remove the old faucet. Clean the mounting surface. Remove mounting hardware (E & F) from threaded metal pipe (G).

Step 2. Installing the hot and cold water pipes



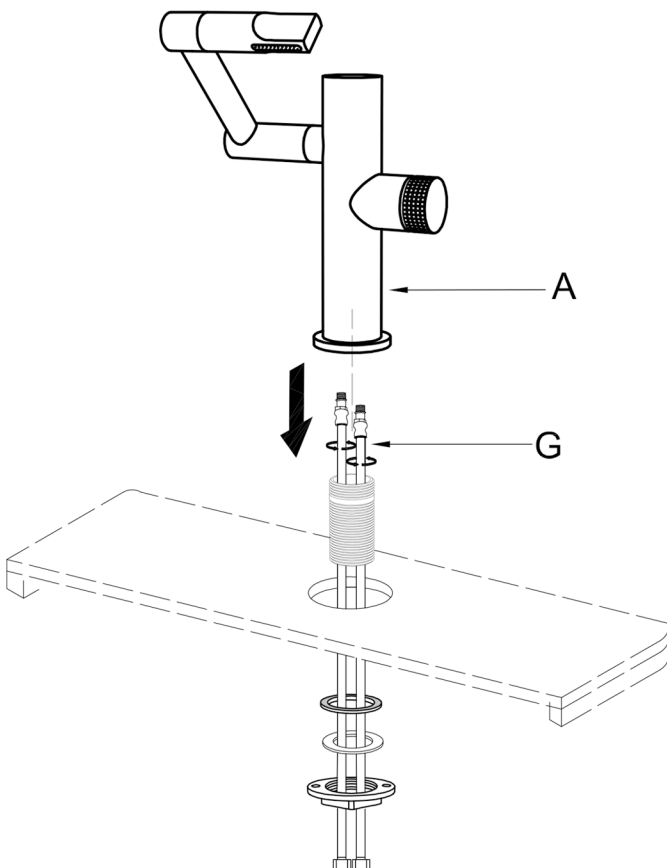
Install the hot and cold water pipes (G) through the mounting hardware (E) and screw in tightly.

Step 3. Install the hot and cold water pipes



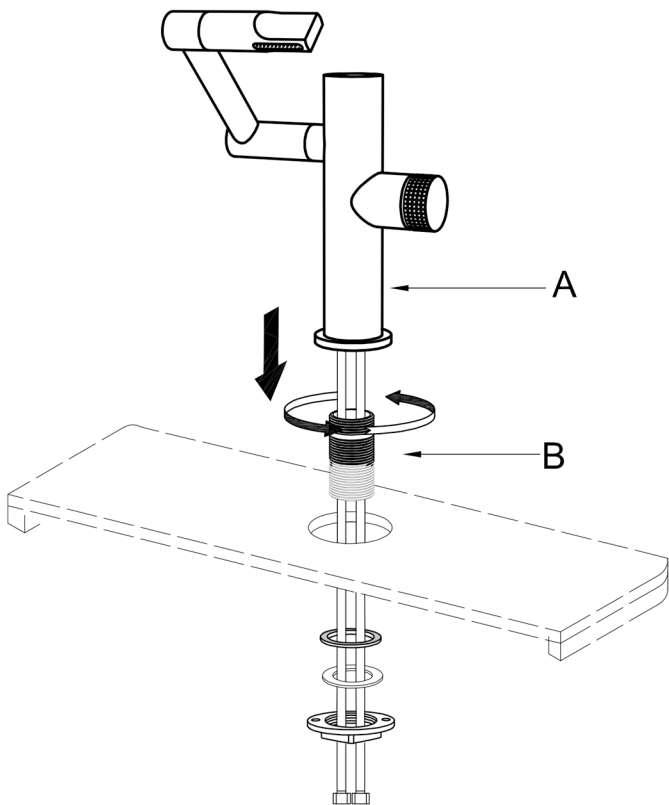
Swivel the hot and cold water pipes (G) through threaded metal pipe (B) into the faucet body.

Step 4. Install faucet body to countertop



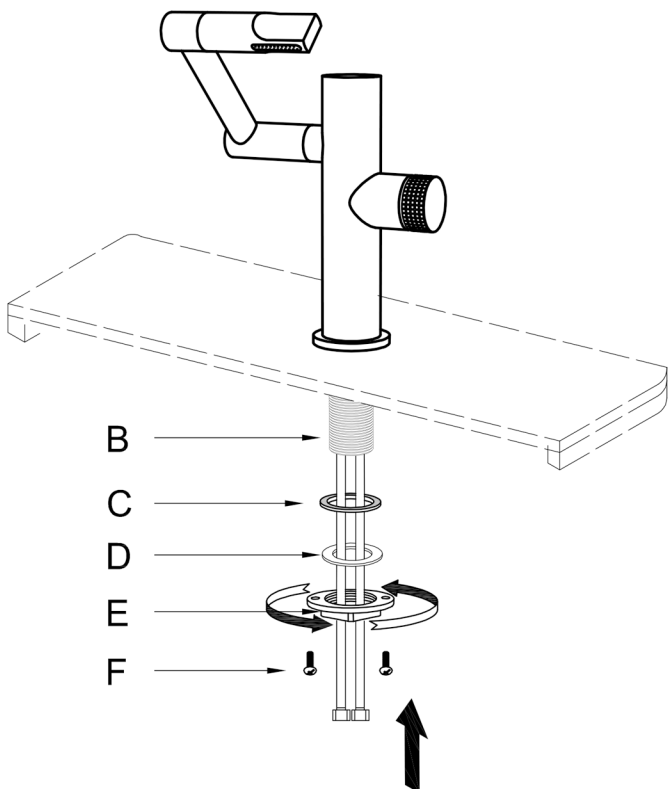
Insert faucet body (A) through the hole in the sink or the countertop.

Step 5. Install mounting hardware



Pass the rubber gasket, metal gasket and mounting hardware through the metal pipe in turn and tighten them.

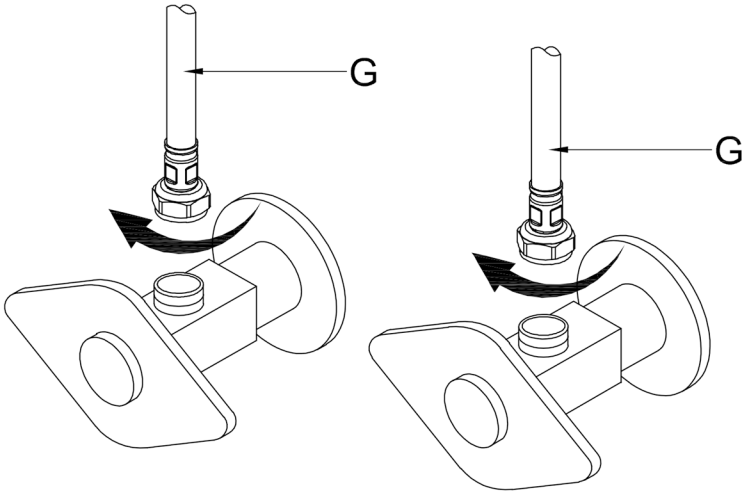
Step 6. Install mounting hardware



Install the mounting hardwares in sequence.
Do not overtighten.

Step 7. Making the waterline connections

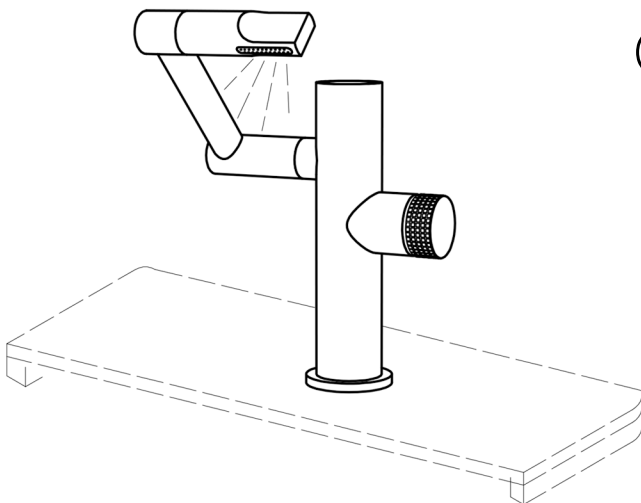
Thread the nut on the supply line onto the outlet of the water supply valve and tighten with a wrench. Do not overtighten.



Step 8. Turn the faucet on and check for leaks

Turn on angle stops, turn the faucet on and check for leaks.

(DO NOT TURN FAUCET ON BEFORE THE INSTALLATION IS COMPLETE)



Trouble-Shooting

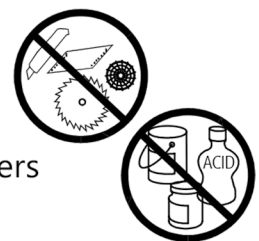
If you have followed the instructions carefully and your faucet still does not work properly, take the following corrective steps:

PROBLEM	CAUSE	ACTION
Leakage under faucet handle	Bonnet nut (11) has come loose	Remove the cover button (15). Loosen set screw (14) with hex wrench (22). Remove the handle. Unscrew cap (12). Tighten bonnet nut (11) with an adjustable wrench.
The aerator has an irregular or reduced water flow	The aerator is dirty or mis-fitted	Remove the aerator and check for debris. Ensure that the rubber washer is properly installed.
The water pressure is low.	The connector underneath the deck is clogged with debris The aerator is clogged	Turn off the water supply and disconnect the connector / aerator. Unscrew the connector / aerator and clean under running water. Screw the connector / aerator back. Test water flow. If water pressure is still low then replace the connector / aerator.
There is a low flow of water.	The screen filter in the hose connectors is dirty.	Turn off the water supply at water valve and unscrew the hose connectors from water supply lines. Clean the screen in the water lines with hot water, removing any debris or calcium build up.

Care & Maintenance

To keep the product clean & shining, follow the steps below:

1. Rinse with clean water & dry with a soft cloth
2. Do not clean with soaps, acid, polish, abrasives or harsh cleaners
3. Do not use cloth with a coarse surface
4. Unscrew the aerator and clean when necessary



This installation manual is subject to change without further notice.

LEFTON

Enjoy Smart and Creative Life

THANK YOU!



www.leftonhome.com