

## Product Manual

### Installation Notes steps manual single slot

#### Features

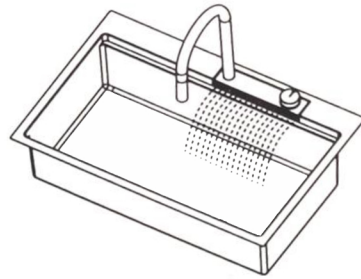
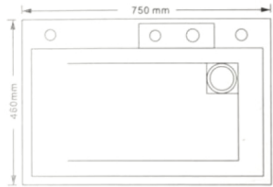
Stainless steel thickened panel 3.0mm + thickened basin 1.5mm  
High-grade stainless steel snow sand surface treatment  
Luxurious, trendy PDV nano-coating--scratch resistant and durable  
Thickened bottom spray layer and environmentally friendly, odorless sound pads -- anti-noise and anti-condensation  
Gold inner four-sided angle R10--Easier to clean

#### Accessories

High-end stainless steel handmade sink  
All copper hot and cold dual water outlet, thermostatic faucet  
Stainless steel triangular draining basket, mahogany cutting board  
stainless steel basin  
Stainless steel high-end console drain

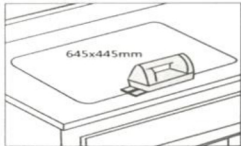
#### Dimensions

Model number	Overall width	Overall length	overall depth
KS2203	460mm	750mm	220mm



#### Installation of the sink

1. The opening size of this handmade sink is 720\*430mm. Use a pencil to draw the opening size on the table, and then use a tool to open the hole.



2. Before installing the sink, install the drain and overflow pipe cover.  
(This sink is suitable for 110mm aperture drain)



3. Install the deodorant water seal cup and the drain connection pipe.



4. Apply adhesive or caulk around the bottom of the sink panel. Turn the sink over, carefully place it into the countertop opening, and secure all drains and accessories. Press down firmly so that the sink rests on the countertop.



5. Install the drain pipe and insert the drain pipe into the sewer pipe.



6. Gently place the triangular drain basket and the stainless steel basin into the steps in the sink, which can be moved left and right at will.



## Installation Precautions

1. The installation of the sink must follow the plumbing and building codes of the user's location.
2. The hot and cold water supply must be turned off.
3. Before installation, please unpack the new water tank and check whether the product is damaged.
4. The size of the opening of the sink is 3-4cm in length and width of the sink. It is recommended to open the hole according to the actual object after receiving the goods, to avoid the error of opening the hole, which may lead to the production of mildew and the breeding of cockroaches. (There are many installation methods, which can be negotiated with the installer according to the actual situation.)
5. The size of the opening of the sink can be changed according to the actual situation. Because the size of the opening for the installation of the under-counter basin must be accurate, the installation of the under-counter basin must be installed by the master.

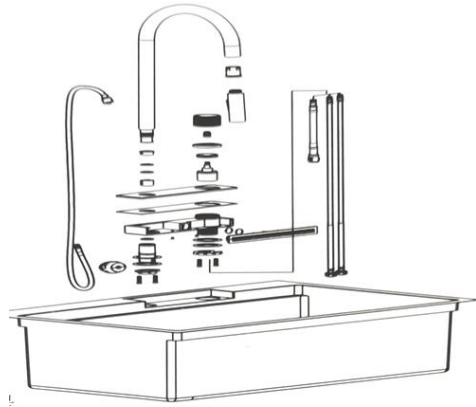


Kind tips: Use gloves when handling and handle the sink with care, as the metal surface is very sharp and can easily cause scratches.

## Care and Maintenance

serial number	problems	cause of the problem	Solution
1	Drainer is leaking	1. The nut is not tightened 2. Missing sealing ring	1. Tighten the nut 2. Install the sealing ring
2	Water on the faucet	The faucet will test the water before leaving the factory to ensure that the water from the faucet is normal, which is a normal phenomenon	Wipe clean with a dry cloth
3	There is rust on the surface of the sink	The sink is corroded by corrosive gases, liquids, dusts of newly renovated houses, or exposed to acid and alkaline substances for a long time. (non-304 material problem)	Slight rust can be removed by repeatedly wiping with cotton cloth dipped in toothpaste. For more serious rust, professional after-sales personnel will send you a special scouring pad to remove it.
4	Scale or discoloration on the surface of the sink	Formed from calcium and magnesium minerals in tap water or residual water on the surface of the sink	Use a dry rag dipped in cleaning powder to wipe back and forth on the dirty surface. After cleaning, rinse the sink with clean water, and finally dry the water.

## Pull-out kitchen sink faucet



### Installation steps

<p>1. Install the gasket (1) with the rubber ring facing down. Install the faucet handle on the right.</p>	<p>2. Screw the screw (2) into the mounting ring (3) until the screw protrudes 6mm from the mounting ring.</p>	<p>3. Install the gasket (4) on the tooth tube (5) and screw the mounting ring onto the tooth tube.</p>
<p>4. Adjust the position of the screws on the mounting ring and tighten.</p>	<p>5. Link and lock the hose (6) to the water source. Connect the hose with the "GOLD" sticker (7) to the cold water.</p>	<p>6. Turn on the hot and cold water source and let the water flow out for about a minute.</p>
<p>7. Insert the faucet body into the sink hole in the direction indicated by the arrow.</p>	<p>8. The pull-out pipe is connected to the shower head and penetrated from the elbow to check whether the pull-out is smooth.</p>	<p>9. Loosely install the weight (9) on the shower hose (8).</p>
<p>10. Connect the shower hose to the faucet adapter.</p>	<p>11. As shown in the picture, adjust the weight to the proper position and lock it.</p>	<p>12. If necessary, adjust the weight to the proper position.</p>

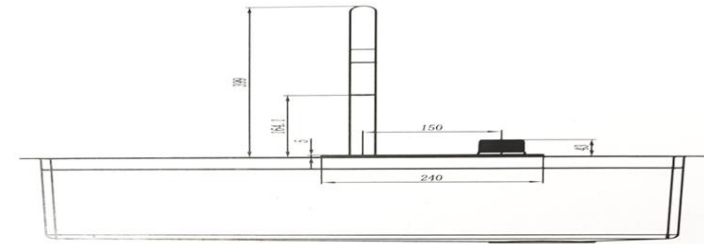
### Before installation

All information is based on the latest published product information. The company reserves the right to change product characteristics at any time without notice. Right to the type of packaging or product available. The manual includes important installation, maintenance and cleaning contents, please give this information to the user to read.

### Precautions

1. Be sure to rinse the water supply pipe thoroughly first to remove impurities in the pipe.
2. If installing a new sink, install the faucet on the sink first.
3. The maximum working pressure of the shower head: 0.5Mpa (5bar). When the water pressure exceeds 0.5Mpa (5bar), a pressure reducing valve must be installed. The maximum working temperature and ambient temperature of the shower head: 60°C. Please pay special attention to the fact that the arm tube connecting the shower to the shower needs to be separated from the heater, otherwise the shower and its seals may be damaged, and even the user may be injured.

### Installation size



### How to use

<p>.Handwheel switch, turn right cold water-mixed water-hot water, return to middle off .Handwheel switch, turn left cold water-mixed water-hot water, return to middle off</p>	<p>.Pull head free extraction</p>
<p>.Press to switch the shower sprinker</p>	<p>.Press the bubbles to release the water</p>
<p>Faucet maintenance 1. Turn on the faucet and rub the nozzle to remove impurities.</p>	<p>2. When there are impurities that make the water flow smaller, remove the shower head bubbler and clean the bubbles. Just put it back on.</p>

### Installation result check

Check to make sure all joints are tight and make sure the handwheel is in the closed position. Turn on the main water supply and drain system and inspect and repair leaking connections.

### Cleaning Instructions

Applicable to all processed surfaces: Wash the coating surface with neutral soapy water, then dry the entire surface thoroughly with a clean, soft cloth. Many cleaning agents, such as ammonia, detergent powder and toilet cleaner, will damage, do not use. Abrasive cleaning utensils or detergents should also not be used on the faucet and its accessories