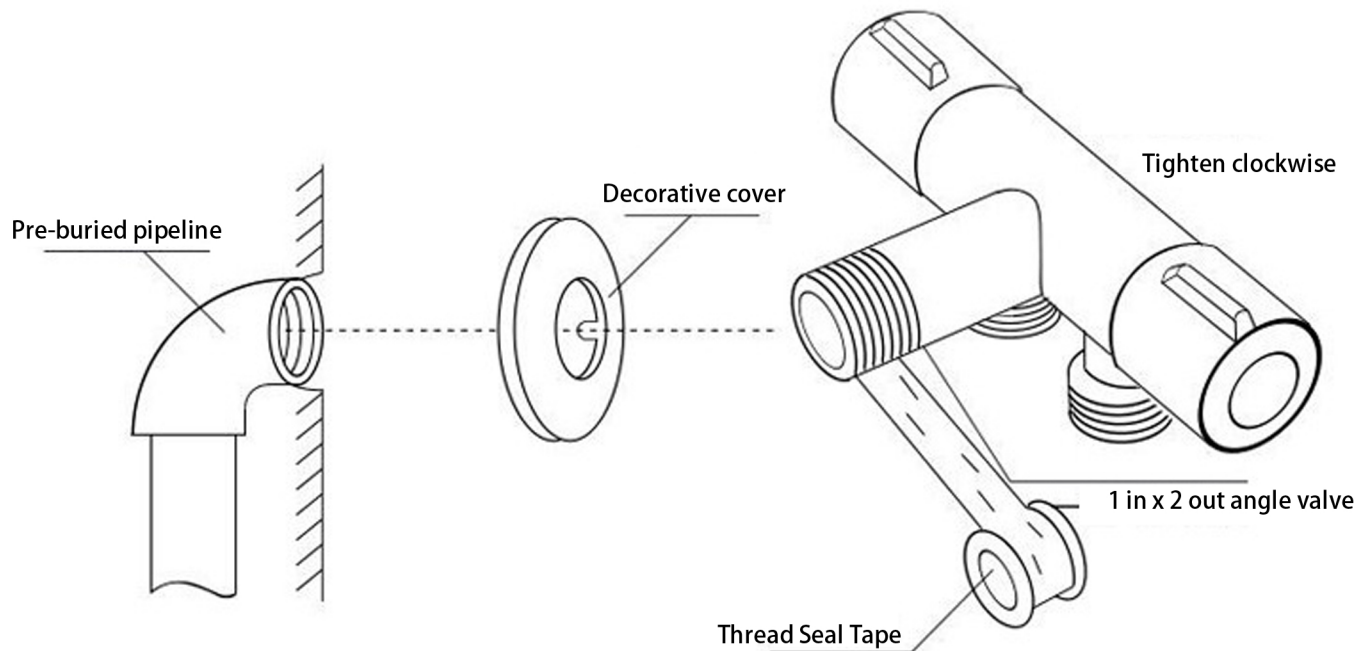


Installation Diagram



Installation Steps:

1. Let the water clean the dirt inside the pipes before installation;
2. Put the decorative cover over the water entrance of the angle valve;
3. Wrap the threaded water entrance of the angle valve with the seal tape, and screw the valve into the pre-buried pipeline.
4. Screw the valve clockwise until it's tightened, and adjust the angle of the valve outlet to the right place.
5. Open the valve, check if the threaded connection part is sealed well, and the installation would be finished if there's no dripping.