

P85AS

4.5 M³/H-28.4 M³/H

SR75

6.8 M³/H-36.3 M³/H

SRNV100

11.4 M³/H-68.2 M³/H

800P VALVE

SR100

11.4 M³/H-68.2 M³/H

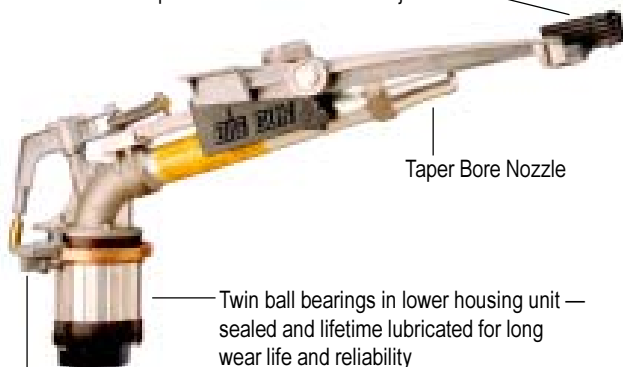
pivot END GUN irrigation

In the field of large-volume sprinklers, Nelson Big Guns® are recognized the world over as the leader in quality and performance. They are engineered and precision manufactured for heavy-duty reliability and long wear life with minimum maintenance required. The SR (Slow Reverse) series of Big Gun® sprinklers is far and away the number one choice for center pivot end gun use around the world.

SR series BIG GUN®

SLOW, STEADY REVERSE ACTION
EXTRA HEAVY-DUTY CONSTRUCTION
100% WATER TESTED

Patented pressure compensating drive spoon eliminates need for adjustments



Taper Bore Nozzle

Twin ball bearings in lower housing unit — sealed and lifetime lubricated for long wear life and reliability

Positive Lock Stops



P85AS IMPACT. This low angle, part circle pivot end gun sprinkler has been designed to meet the demanding conditions of pivot end gun operation where the flow rate and distance of throw required is less than that of Big Gun® Sprinklers. An optional diffuser is available for low pressure systems.

SR75 BIG GUN®. With proven dependability, performance, long wear life and repairability known from Big Gun® Sprinklers, the SR75 is an affordable Big Gun option that performs well at low pressures.

SR100 BIG GUN®. The SR100 Big Gun with an 18 degree trajectory is the most popular Pivot End Gun used on center pivots today.

SRNV100 NOZZLE VALVE. The SRNV100 is the standard SR100 Big Gun configured with a simple mechanical valve which can be either hydraulically or electrically controlled and linked to the pivot control system. Because the Nozzle Valve is externally mounted there is no friction loss, turbulence, or debris hang-up.

800P PIVOT GUN CONTROL VALVE. Winner of AE50 2001 Outstanding Innovations — the Pivot Gun Control Valve combines a Big Gun® Sprinkler and an 800 Series valve (A2 B7 C3). No solenoid is needed for this gun-control system (when a booster pump is used).

The **PIVOT PURGE VALVE** is also available. It is a self-cleaning, automatic drain for the end of the system.

SAVE WATER, SAVE ENERGY AND
DO A BETTER JOB OF IRRIGATING

> NELSON SPRINKLER PERFORMANCE*

P85A PART CIRCLE IMPACT SPRINKLER — on 3.7 m riser — 18° trajectory

Noz. Diam. = 8,7mm 9,5mm 10,3mm 11,1mm 11,9mm 12,7mm 13,5mm 14,3mm 15,1mm 15,9mm 16,7mm 17,5mm


BASE BAR	M ³ /Hr	DIAM. M	M ³ /Hr	DIAM. M	M ³ /Hr	DIAM. M	M ³ /Hr	DIAM. M	M ³ /Hr	DIAM. M	M ³ /Hr	DIAM. M	M ³ /Hr	DIAM. M	M ³ /Hr	DIAM. M	M ³ /Hr	DIAM. M						
1.5	3.64	30	4.30	31	5.03	32	5.61	33	6.60	33	7.43	34	8.37	35	9.39	36	10.40	36	11.30	37	12.50	38	13.40	39
2.0	4.21	33	4.99	34	5.84	35	6.57	36	7.67	37	8.67	38	9.74	39	10.90	39	12.10	40	13.20	41	14.80	42	15.60	43
2.5	4.70	36	5.60	36	6.56	38	7.41	39	8.60	40	9.70	41	10.90	42	12.30	42	13.50	43	14.80	44	16.60	45	17.80	46
3.0	5.17	38	6.15	39	7.21	40	8.19	41	9.45	42	10.70	43	12.00	44	13.50	45	14.90	46	16.30	47	18.20	47	19.80	48
3.5	5.63	39	6.66	40	7.81	42	8.91	43	10.20	43	11.60	45	13.00	46	14.50	47	16.10	48	17.70	48	19.70	49	21.50	50
4.0	6.02	40	7.16	42	8.38	43	9.58	44	11.00	45	12.40	46	13.90	47	15.60	48	17.20	49	19.00	50	21.10	51	23.00	52
4.5	6.37	41	7.61	43	8.91	44	10.20	45	11.70	47	13.20	47	14.80	49	16.60	50	18.30	50	20.30	52	22.40	52	24.40	53
5.0	6.70	43	8.05	44	9.42	45	10.80	47	12.30	48	14.00	49	15.70	50	17.50	51	19.40	52	21.40	53	23.60	53	25.70	55
5.5	7.03	44	8.46	45	9.91	46	11.30	48	12.90	49	14.70	50	16.40	51	18.40	52	20.40	53	22.50	54	24.90	55	27.00	56

SR75 BIG GUN® SPRINKLER — Taper Bore Nozzle — 24° trajectory

Noz. Diam. = 10,2mm 11,4mm 12,7mm 14,0mm 15,2mm 16,5mm 17,8mm 19,1mm 20,3mm

kg/cm ²	L/S	M ³ /H	M	L/S	M ³ /H	M	L/S	M ³ /H	M	L/S	M ³ /H	M	L/S	M ³ /H	M	L/S	M ³ /H	M	L/S	M ³ /H	M	L/S	M ³ /H	M	L/S	M ³ /H	M		
1.75							2.64	9.5	44	3.17	11.4	48	3.72	13.4	49	4.30	15.5	51	4.91	17.7	54	5.59	20.1	56					
2.00							2.33	8.4	48	2.82	10.2	48	3.39	12.2	51	3.98	14.3	52	4.59	16.5	56	5.25	18.9	58	5.97	21.5	59		
2.50				2.11	7.6	47	2.61	9.4	50	3.16	11.4	53	3.79	13.6	55	4.45	16.0	58	5.14	18.5	60	5.87	21.1	62	6.68	24.0	64		
3.00	1.83	6.6	47	2.32	8.3	50	2.86	10.3	53	3.46	12.4	57	4.15	14.9	59	4.88	17.6	61	5.63	20.3	63	6.43	23.1	66	7.32	26.3	69		
3.50	1.98	7.1	49	2.50	9.0	52	3.09	11.1	57	3.74	13.4	60	4.48	16.1	62	5.27	19.0	64	6.08	21.9	67	6.95	25.0	70	7.90	28.4	73		
4.00	2.11	7.6	50	2.67	9.6	54	3.30	11.9	59	3.99	14.4	62	4.79	17.2	65	5.63	20.3	67	6.50	23.4	71	7.43	26.7	73	8.45	30.4	76		
4.50	2.24	8.1	52	2.84	10.2	57	3.50	12.6	62	4.24	15.2	66	5.08	18.3	68	5.97	21.5	71	6.89	24.8	75	7.88	28.4	78	8.96	32.3	80		
5.00	2.36	8.5	53	2.99	10.8	60	3.69	13.3	64	4.46	16.1	68	5.35	19.3	70	6.30	22.7	74	7.26	26.1	78	8.30	29.9	80	9.45	34.0	84		
5.50	2.48	8.9	55	3.13	11.3	62	3.87	13.9	66	4.68	16.9	70	5.61	20.2	73	6.60	23.8	77	7.62	27.4	81	8.71	31.3	83	9.9	35.7	86		
6.00	2.59	9.3	56	3.27	11.8	63	4.04	14.6	68	4.89	17.6	72	5.86	21.1	74	6.90	24.8	79	7.96	28.6	84	9.09	32.7	85	10.3	37.2	87		

Diameter (M) in meters and flowrate (L/S = liter/sec; M³/H = cubic meter per hour) are based on CIT (Center for Irrigation Technology) testing and some comparisons (dated 10/9/02). For 43° performance consult factory. In general, throw distance is reduced ~ 3% with each 3° drop in trajectory.

 Pressure/nozzle combinations OUTSIDE of the shaded-in areas produce a more desirable stream.

SR100 BIG GUN® SPRINKLER — Taper Bore Nozzle — 24° trajectory

Noz. Diam. = 12,7mm 14,0mm 15,2mm 16,5mm 17,8mm 19,1mm 20,3mm 21,6mm 22,9mm 25,4mm

kg/cm ²	L/S	M ³ /H	M	L/S	M ³ /H	M	L/S	M ³ /H	M	L/S	M ³ /H	M	L/S	M ³ /H	M	L/S	M ³ /H	M	L/S	M ³ /H	M	L/S	M ³ /H	M	L/S	M ³ /H	M			
3,0	3,00	10,8	59,5	3,73	13,4	62,6	4,33	15,6	66,1	5,09	18,3	66,8	5,84	21,0	71,4	6,71	24,1	74,5	7,64	27,5	77,5	8,74	31,5	79,5	9,67	34,8	81,4	11,9	42,8	88,1
4,0	3,40	12,2	64,3	4,25	15,3	67,8	5,00	18,0	71,8	5,86	21,1	74,8	6,82	24,6	77,8	7,73	27,8	81,0	8,66	31,2	82,8	10,05	36,2	86,4	11,2	40,4	88,6	13,8	49,5	94,8
5,0	3,79	13,6	69,0	4,72	17,0	72,7	5,59	20,1	76,4	6,56	23,6	80,2	7,62	27,5	84,4	8,66	31,2	86,7	9,91	34,9	90,4	11,26	40,5	92,5	12,5	45,2	94,7	15,5	55,6	103
6,0	4,17	15,0	73,4	5,14	18,5	77,3	6,12	22,1	80,7	7,19	25,9	85,0	8,35	30,1	88,7	9,51	34,3	91,8	10,9	38,2	94,7	12,35	44,5	97,7	13,7	49,5	101	16,8	60,5	109
7,0	4,53	16,3	77,6	5,52	19,9	81,6	6,61	23,8	85,0	7,75	27,9	89,3	9,02	32,5	93,0	10,3	37,0	96,1	11,7	41,3	99,0	13,3	48,0	102,2	14,8	53,5	105	18,2	65,5	113
8,0	4,89	17,6	81,7	5,84	21,0	85,7	7,07	25,5	89,3	8,25	29,7	93,1	9,64	34,8	97,3	10,95	39,4	99,7	12,5	44,1	103	14,22	51,2	105,8	15,9	57,2	109	19,5	70,2	116

*Performance data has been obtained under ideal test conditions and may be adversely affected by wind, poor hydraulic entrance conditions or other factors. Nelson Irrigation Corporation makes no representation regarding droplet condition, uniformity, or application rates.

WARRANTY AND DISCLAIMER: Nelson Big Gun® Sprinklers are warranted for one year from date of original sale to be free of defective materials and workmanship when used within the working specifications for which the products were designed and under normal use and service. The manufacturer assumes no responsibility for installation, removal or unauthorized repair of defective parts. The manufacturer's liability under this warranty is limited solely to replacement or repair of defective parts and the manufacturer will not be liable for any crop or other consequential damages resulting from defects or breach of warranty. THIS WARRANTY IS EXPRESSLY IN LIEU OF ALL OTHER WARRANTIES, EXPRESS OR IMPLIED, INCLUDING THE WARRANTIES OF MERCHANTABILITY AND FITNESS FOR PARTICULAR PURPOSES AND OF ALL OTHER OBLIGATIONS OR LIABILITIES OF MANUFACTURER. No agent, employee or representative of the manufacturer has authority to waive, alter or add to the provisions of this warranty, nor to make any representations or warranty not contained herein.

This product may be covered by one or more of the following U.S. Patent Nos. 3,744,720, 3,559,887 and other U.S. Patents pending or corresponding issued or pending foreign patents.



Nelson Irrigation Corporation

848 Airport Rd., Walla Walla, WA 99362 USA

Tel: 509.525.7660 Fax: 509.525.7907 info@nelsonirrigation.com

Nelson Irrigation Corporation of Australia Pty. Ltd.

35 Sudbury Street, Darra QLD 4074 info@nelsonirrigation.com.au

Tel: +61 7 3715 8555 Fax: +61 7 3715 8666

WWW.NELSONIRRIGATION.COM