



**GENERAL INFO**

**DESIGNED FOR MAINS WATER**

### Sparkling, Chilled & Boiling Hot\* Water on Tap

The SPARQ S6 chilled, sparkling, and boiling hot\* water filter system will make a statement in your entertaining space. Having a SPARQ S6 makes all the difference as beverages are more refreshing, easier to make and instantly delivered, meaning you can spend more time with your guests. With the SPARQ S6, you won't need to wait for the kettle to boil or the need to store bulky sparkling water bottles. Imagine having ready-to-use hot, chilled, or sparkling filtered water, all from one modern tap with an easy-to-use touch LED control panel.

The intelligent ECO mode saves energy and money by detecting activity in its installed environment, meaning it will enter into a sleep mode, using less power when the system is not needed but will awaken ready for use once it detects activity again.

The SPARQ S6 Series offers two colour choices in tapware, with a classic chrome or modern matt black finish.

**FEATURES & BENEFITS**

- A choice of sparkling, chilled & hot water, straight from the tap.
- Soft touch buttons on the stylish LED panel.
- Compact under sink system.
- Sediment, dirt and other particles filtered down to 0.1 micron\* including Giardia and Cryptosporidium cysts.
- DIY quick-twist cartridge change.
- Using Ultra Z Filtration Technology, the Z1-R cartridge has the ability to protect against cysts and bacteria such as E. coli. and reduces Trihalomethane (THM's).
- Provides pure, safe, filtered water, free of chlorine.
- The SPARQ S6 includes a built in cooling system that chills the water down to 2°C for a refreshingly cold drink.
- The SPARQ S6 also includes a boiling system for those ready-to-make hot beverages with a max temperature of 97°C - no more waiting for the kettle to boil.
- Smart ECO mode detects activity in its installed environment, allowing the system to go into sleep mode when it is not needed, saving energy, money and the environment.
- Adjustable hot water tank temperature override from 80 to 100°C.
- WaterMark approved.



**SPARQ-S6-CH**

Chilled, Sparkling & Hot Unit with Chrome Tap



**SPARQ-S6-BK**

Chilled, Sparkling & Hot Unit with Matt Black Tap

\*Micron rating is nominal. \*Temperature of the hot water dispensed is max 97°C and tends to vary with usage

**TECHNICAL DATA**

Ordering Code	SPARQ-S6-CH	SPARQ-S6-BK
Replacement Filter Cartridge:	Z1-R	
Filtration:	Ultra Z Technology, 0.1* micron	
Filter Capacity:	23,000 L	
Replacement CO <sub>2</sub> Canister:	SPARQ-CO2 (single) / SPARQ-CO2-2 (twin pack)	
Flow:	Chilled Water Flow: 100 glasses/hour <sup>~</sup> Hot Water Flow: 72 cups/hour <sup>*</sup>	
Min/Max Pressure:	138 - 500 <sup>~</sup> kPa	
Min/Max Air Temperature:	2°C - 50°C (protect from freezing)	
Chilled Temperature:	2°C - 10°C	
Max Boiling Temperature:	97°C	
Adjustable Hot Water Override (Tank Temperature):	80°C, 90°C & 100°C	
Power Requirements:	220-240 V / 50 Hz	
Maximum Power Consumption:	900 W	
Tap Colour:	Chrome	Matt Black
Tap Dimensions:	345 (h) x 197 (w) mm	350 (h) x 197 (w) mm
Appliance Dimensions:	390 (h) x 230 (w) x 370 (d) mm	
Weight:	19 kg	
Filter Dimensions:	290 (h) x 93 (w) x 110 (d) mm	
Water Connection:	1/2" BSP (1/4" tube)	
Water Supply:	Mains/Towns Water Supply Only	
Required Hole For Tap:	26 mm	
Warranty:	2 years <sup>^</sup>	

\*Micron rating is nominal. <sup>~</sup>Glass size is based on 200ml. <sup>\*</sup>Cup size is based on 167ml. <sup>~</sup>Where line pressure exceeds 500 kPa, an approved pressure limiting device must be installed to comply with Australian & New Zealand Plumbing Standards. (Ref. AS/NZS 3500.1:2021, Clause 3.3.4). <sup>^</sup>2 year warranty is 1 year parts and labour plus 1 year parts only. Excludes consumables. Use only genuine Puretec cartridges and replacements.

**FILTRATION TECHNOLOGY**

The Sparq S6 system uses Ultra Z Filtration Technology to reduce unwelcome elements in your water. With 3 levels of filtration, the cartridge filters out sediment down to 0.1 micron\* as well as filtering out bad taste, odour, chlorine and protects against cysts and bacteria such as E. coli. Leaving you with healthy, great tasting, clean, safe and pure water.

### Carbonation system

If sparkling water is selected Puretec injection technology enables a high saturation of CO<sub>2</sub> that gives you chilled, pure water with just the right amount of sparkle. The CO<sub>2</sub> canister is easy to replace and usually lasts between 9 to 12 months, depending on individual use.

### Heating the water

The SPARQ S6 holds ample filtered heated hot water in a stainless steel tank. The hydrodynamically designed chamber allows the hot water to flow to the top of the tank preventing the mixing of already heated water with the chilled water. The system draws from the already heated water to conserve energy use and deliver instant hot filtered water straight to the tap.

### Chilling the water

The SPARQ S6 includes a built in cooling system that chills the water down to 2°C for a refreshingly cold drink. You can choose between ambient or chilled when dispensing still water. The sparkling water is delivered chilled only.


**Stage 1**

- Removes particles.
- Clarifies the water.
- Removes sediment, rust, sand, silt & algae.

**Stage 2**

- Chlorine and chloramine reduction.
- Eliminates bad taste and odours.
- Chemical pesticides & sulphur reduction.

**Stage 3**

- Ultra Z Filtration membrane finely filters to 0.1 micron\*.
- Provides protection against cysts and bacteria, such as E. coli.
- Removes the finest particles.

**DIAGRAM & FILTRATION TECHNOLOGY**

The SPARQ S6 is surprisingly cost effective, which means it's a luxury you can afford.

Choice of tap colours, classic chrome or a modern matt black finish.



Reduce the number of plastic water bottles you throw away. With the Sparq S6, you can fill up your own reusable bottle with fresh, filtered sparkling or still water, anytime.

With sparkling water available on demand, you can spice up your daily water drinking habits. No more sugary soft drinks, just fresh clean water that you can drink all day.

Stylish and modern tap with a simple touch LED panel enables you to choose from chilled, sparkling or hot filtered water.



The do-it-yourself, valve-in-filter head makes replacing cartridges quick, easy and with less mess. Mounting is simple too, and can be installed horizontally or vertically.

Includes a pressure limiting valve to ensure your system and tap is protected from extreme pressures and water hammer, ensuring good consistent pressure and reduces noise.



Features Ultra Z Filtration Technology, a three stage process to filter down sediment to 0.1 micron\* as well as filtering out bad taste, odour, chlorine and protects against cysts and bacteria such as E. coli.

Shut off valve makes maintenance even easier to perform (1/4" tube x 1/2" BSPM x 1/2" BSPF)

The unit can be installed wherever there is mains water access. Using a qualified plumber to perform the initial installation, who should have the unit installed and ready to use in less than 90 minutes.

The compact and stylish under sink system has been designed to fit beneath most kitchen benches, saving you precious countertop space. The rear panel with clearly labeled connections makes installation a breeze.

The CO2 canister is easy to replace and usually lasts between 9 to 12 months, depending on individual use

**Note:** All cold water lines are 1/4" tube.  
\*Micron rating is nominal.



**VENTILATION REQUIREMENTS**

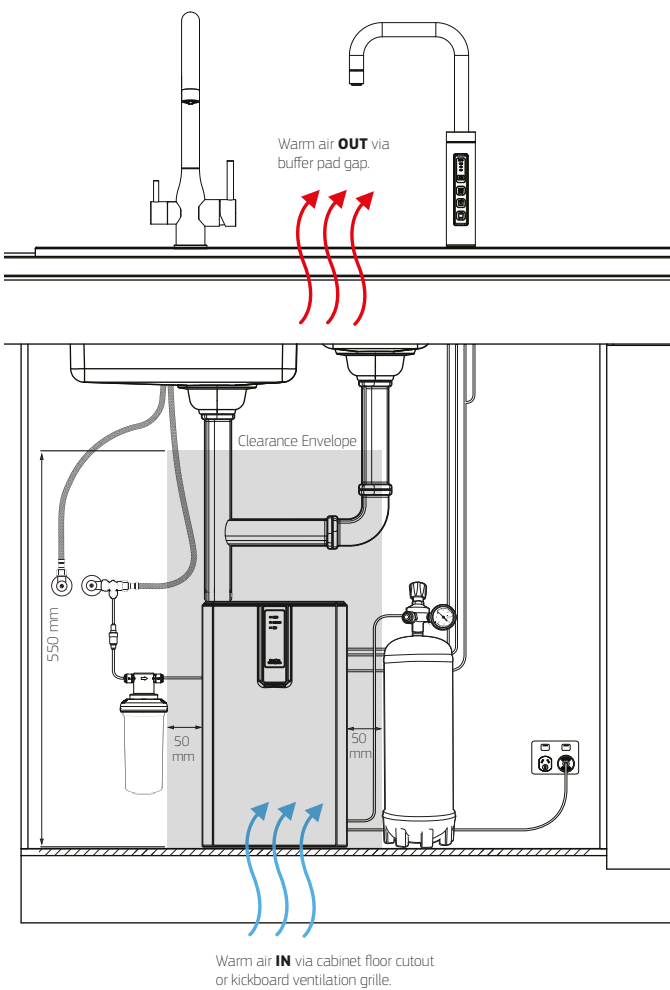
**Ventilation**

**Ventilation Requirements**

**WARNING!** Allow at least 50 mm clearance on either side of the unit, 150 mm at the rear and 200 mm above the main unit.

Sufficient air circulation **MUST** be provided in order for the system to operate and function correctly. Allow enough space for the system to be easily accessed for any servicing needs.

Fit the upper cabinet rail (where the cabinet door rests) with 3 mm silicon door buffers. This will allow for the warm air to be expelled from the cabinet.



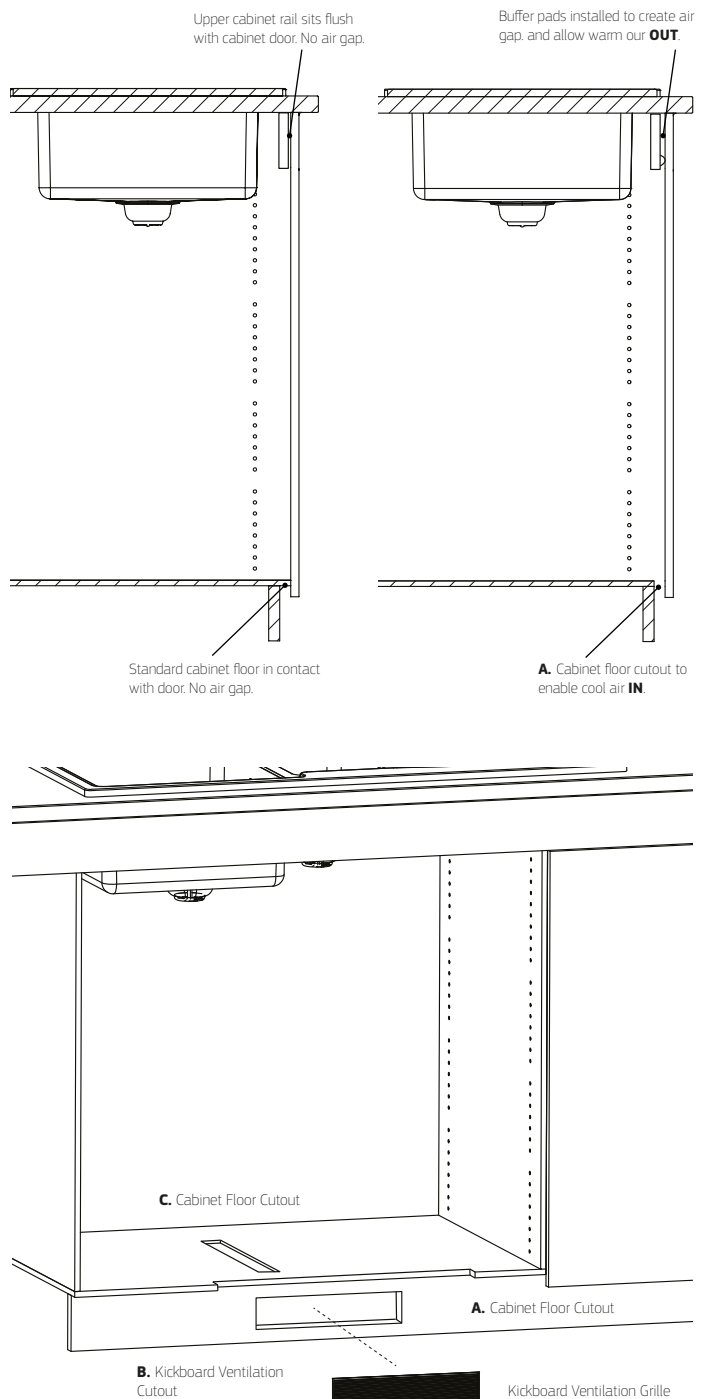
**NOTE:** Clearance at the back of the unit from the wall needs to be 150 mm.

**Cutouts**

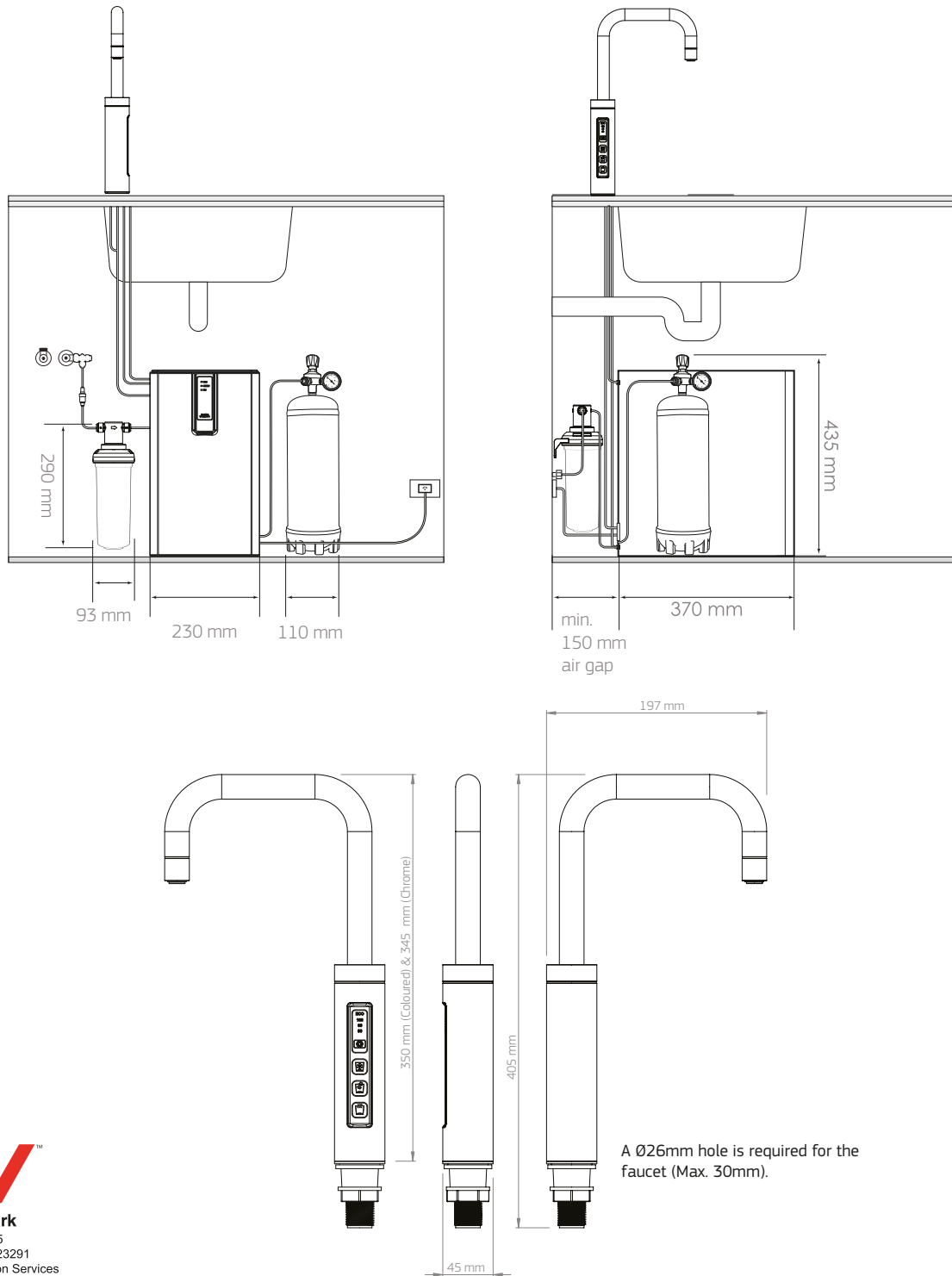
To allow the cool air to be drawn into the cabinet, cut out the cabinet floor (**A. Cabinet Floor cutout**). Ideally this should be as large as possible along the cabinet for maximum ventilation.

Alternatively, a ventilation kit (not included) can be installed by cutting out a hole for a kickboard ventilation grille (**B. Kickboard Ventilation Cutout**), a cutout on the cabinet floor (**C. Floor Cabinet Cutout**) and ducting to connect them. Follow the manufacturer's installation guide included with your kit.

Where cabinet temperatures are higher than 35°C, it is recommended an exhaust fan kit is fitted (not included) in place of the kickboard ventilation grille.



**PRODUCT DIMENSIONS** Measurements in Millimetres (mm)



**Note:**

1. No claims can be made based on the specifications and images in this document. The design, technology, colours, features and prices are subject to change.
  2. This document and all its contents are copyright protected. All rights are reserved, particularly alteration, translation and reproduction using electronic systems.
  3. ^Warranties in this document cover parts and labour for the first year where applicable, subject to approval. Excludes consumables.
- Our Water Filtration Specialists can provide you with advice to suit your needs.