

JET PUMP RANGE

Approved for
Drinking Water
AS/NZS 4020 ✓

2
YEAR
WARRANTY

DOMESTIC SELF-PRIMING JET PUMP

WATER SOURCE



Above
Pump Level



Below
Pump Level



Mains
Water

APPLICATION



Household
Water



Irrigation



Mains
Boosting*

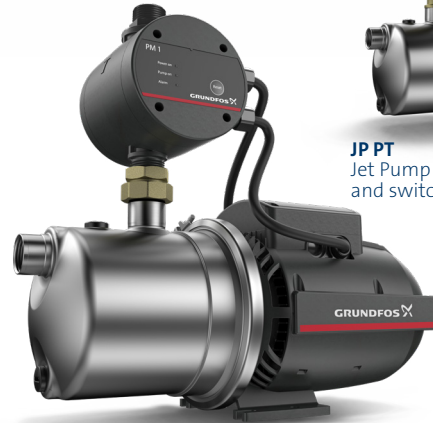
- Suitable for pumping from **water sources above and below the level of the pump**, including from above or below ground water tanks
- **Excellent value for money** for small to medium household use
- **High quality composite and stainless steel construction inside and out**
- **Easy installation – plug & pump** - Connect to the pipework, prime the pump, plug into a power outlet and you're ready to pump



JP
Pump Only



JP PT
Jet Pump with pressure tank
and switch



JP PM
Jet Pump with Pressure Manager controller

70 dB **PUMP NOISE**



PUMP CONTROL & PROTECTION FEATURES



ANTI-CYCLING PROTECTION

The pump will be stopped and alarm activated if it repeatedly turns on and off over a short period of time (called 'cycling'), which could indicate a leaking pipe or dripping tap.



DRY-RUN PROTECTION

The pump will be stopped if no water is detected at the inlet, preventing internal damage and protecting your motor from damage.



LED STATUS INDICATORS

LED indicator shows whether the pump has power to it, is currently running or whether a protection feature has been activated alarm (JP PM only).



AUTO START/STOP

The pump will automatically start and stop when outlets (eg: taps) are turned on or off.

* Subject to local legislation

be
think
innovate

GRUNDFOS

PROTECTED INSTALLATION RECOMMENDED

To maximise the life of your Grundfos pump, it is important to shield it from harsh weather conditions. Undercover installation protects the pump from:



HEAVY RAIN



DIRECT SUNLIGHT



HIGH TEMPERATURE



FREEZING OR FROSTY CONDITIONS



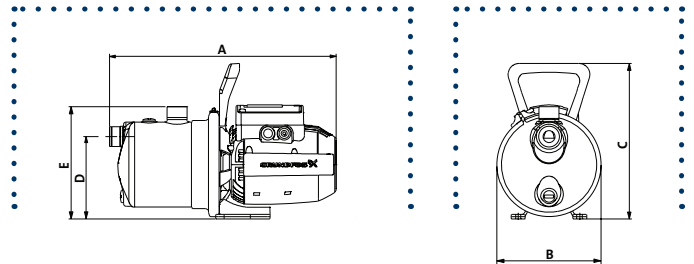
KEEP THE PUMP WELL VENTILATED TO PREVENT OVERHEATING

FIND SPACE FOR YOUR PUMP

Minimum installation clearance recommended 150 mm

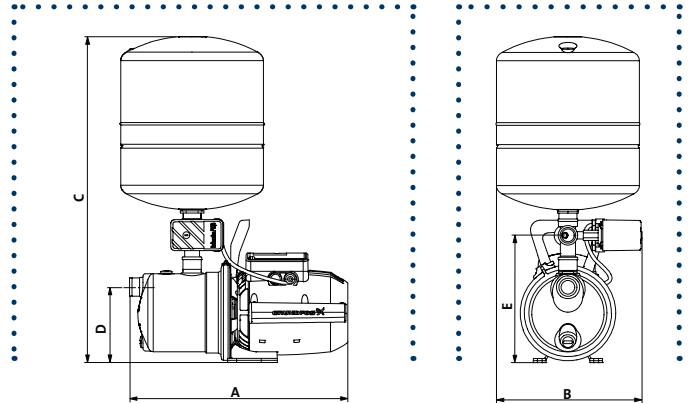
JP - JET PUMP ONLY

Model	Connections		Dimensions (mm)				
	Inlet	Outlet	A (l)	B (w)	C (h)	D (inlet)	E (outlet)
JP 3-42 99458782	1" Female	1" Male	405	186	278	147	200
JP 4-47 99458783			405	186	278	147	200
JP 4-54 99458784			424	186	278	147	200
JP 5-48 99458785			424	186	278	147	200



JP PT - JET PUMP WITH PRESSURE TANK AND SWITCH

Model	Connections		Dimensions (mm)				
	Inlet	Outlet	A (l)	B (w)	C (h)	D (inlet)	E (outlet)
JP 3-42 PT-V 99463894	1" Female	1" Male	405	186	278	147	200
JP 4-47 PT-V 99463895			405	186	278	147	200
JP 4-54 PT-V 99463896			424	186	278	147	200
JP 5-48 PT-V 99463897			424	186	278	147	200



JP PM - JET PUMP WITH PRESSURE MANAGER CONTROLLER

Model	Connections		Dimensions (mm)				
	Inlet	Outlet	A (l)	B (w)	C (h)	D (inlet)	E (outlet)
JP 3-42 PM1 99463898	1" Female	1" Male	405	186	390	147	390
JP 4-47 PM1 99463899			405	186	390	147	390
JP 4-54 PM1 99463900			424	186	390	147	390
JP 5-48 PM1 99463901			424	186	390	147	390

