



APsystems EMEA(EZ1) Accessories

Rev 1.4

ALTENERGY POWER SYSTEM Inc.
emea.APsystems.com

APsystems EMEA
22 Avenue Lionel Terray, 69330 Jonage, France
Mail: info.emea@APsystems.com

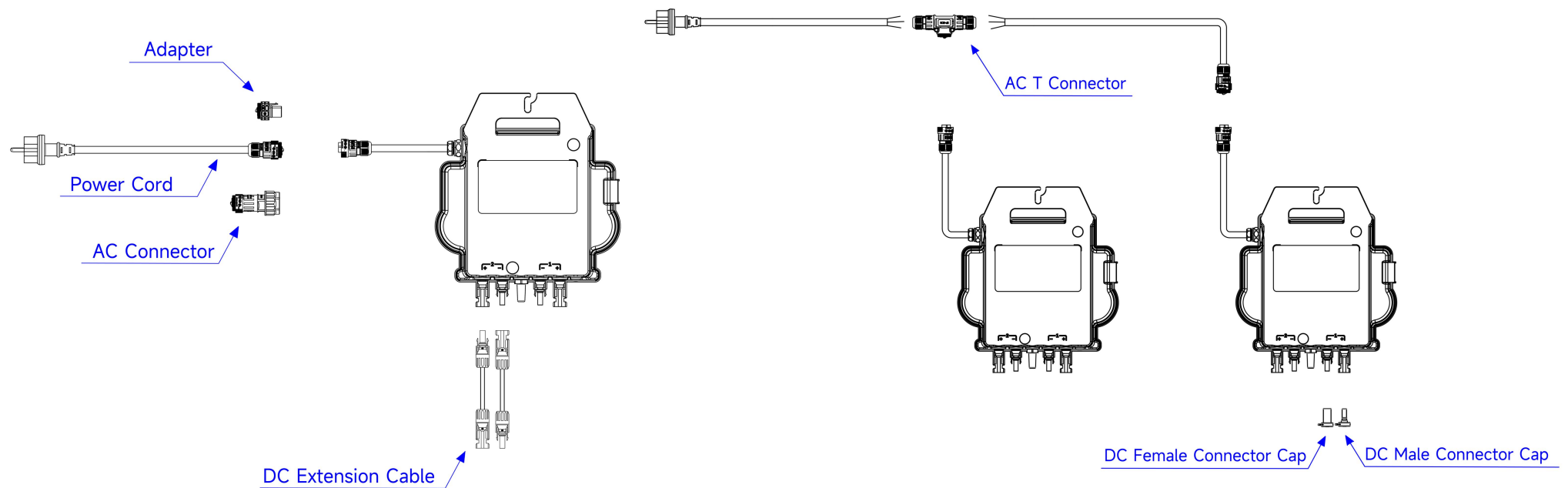
© All Rights Reserved

Contents

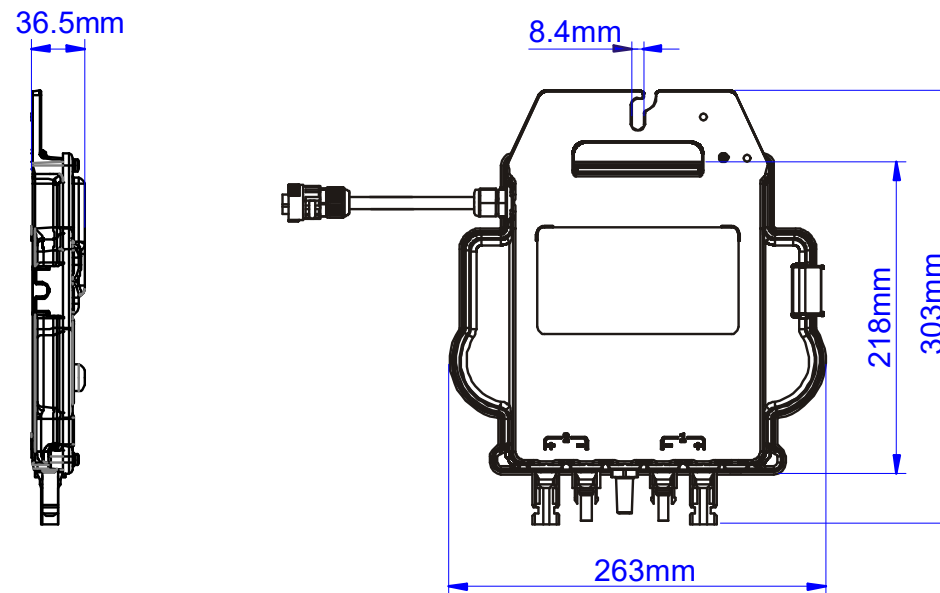
EZ1 Series Accessories(EP030)	2
1.Wiring Diagram	2
2.EZ1 Dimensions	3
3.Accessories Summary	3
4. Physical Picture	4
5. Accessories information	5
EZ1 Series Accessories(BC01)	12
1. Wiring Diagram	12
2.EZ1 Dimensions	13
3.Accessories Summary	13
4. Physical Picture	14
5. Accessories information	15
EZ1 Series Accessories(Y3)	17
1.Wiring Diagram	17
2.EZ1 Dimensions	18
3.Accessories Summary	19
4. Physical Picture	19
5.Accessories information	20

EZ1 Series Accessories(EP030)

1.Wiring Diagram



2.EZ1 Dimensions





3.Accessories Summary

Region	Accessories						
	Power Cord (Optional)	AC Connector (Female) (Optional)	AC T Connector (Optional)	Adapter (Optional)	DC Male Connector Cap (Optional)	DC Female Connector Cap (Optional)	DC Extension Cable (Optional)
Europe -S-EU (133018) -M-EU(800W) (132018) -M-EU(600W) (134018)	2337011113_EU Power Cord(EP030,1.5mm ² , H07,5m) (See Pic. A)	2301132022_AC Extended Connector(3C,17.5A, Female) (See Pic. B)	2301232012_AC T Connector(3C,17.5A) (See Pic. C)	2040230003_Adapter (BC01-EP030) (See Pic. D)	2060401006_DC Male Connector Cap (MC4) (See Pic. E)	2060402006_DC Female Connector Cap (MC4) (See Pic. F)	2310360214_2m DC Extension Cable (MC4) (See Pic. G)

Notes: The cables in this table are recommended by APsystems, and the O.D. and length of the cable can be customized according to customer needs.

4. Physical Picture

Power Cord	AC Connector	ACT Connector	Adapter	DC Male Connector Cap	DC Female Connector Cap
 <p data-bbox="212 703 280 727">Pic. A</p>	 <p data-bbox="564 703 631 727">Pic. B</p>	 <p data-bbox="913 703 981 727">Pic. C</p>	 <p data-bbox="1263 703 1330 727">Pic. D</p>	 <p data-bbox="1615 703 1682 727">Pic. E</p>	 <p data-bbox="1964 703 2031 727">Pic. F</p>
<p data-bbox="136 738 353 762">DC Extension Cable</p>  <p data-bbox="212 1134 280 1158">Pic. G</p>					

5. Accessories information

2337011113_EU Power Cord(EP030,1.5mm²H07,5m)

RoHS
REACH

CHANGE NO.	CHANGE CONTENTS	REV.	NAME/DATE

①
Packing

WIRE RUN LIST		
WIRE	P1	P2
BROWN	L	L
BLUE	N	N
YELLOW/GREEN	PE	PE

3	Plug			1	Schuko Plug	
2	AC Cable			1	3G1.5mm ² , Brown-Blue-Yellow/Green	
1	AC Connector (Female)	EP030-2224-00		1	17.5A, IP68	

NO.	NAME	TYPE	MAT.	QTY.	DESCRIPTION	REMARK
TOLERANCES UNLESS OTHERWISE SPECIFIED						
电器组件未注线性公差:						
> 0-100	±5	> 2500-3500	±45			
> 100-500	±10	> 3500-4500	±50			
> 500-900	±15	> 4500-5500	±65			
> 900-1500	±25	> 5500-6500	±80			
> 1300-1800	±30	> 6500-8000	±90			
> 1800-2500	±35	> 8000-10000	±100			

DWN.	UNIT	mm	
CHK.	SHEET	OF	REV.

ALTERNATE ENERGY POWER

NAME
EU Power Cord(EP030,1.5mm², H07,5m)

DRAWING NO.

Notes:

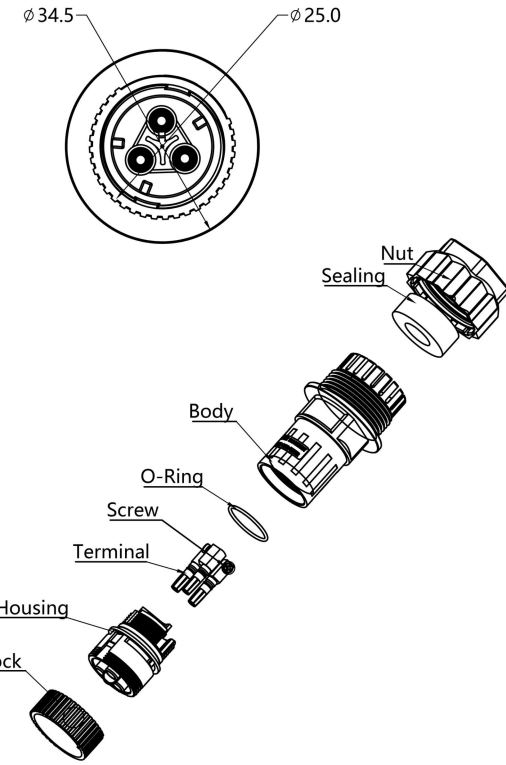
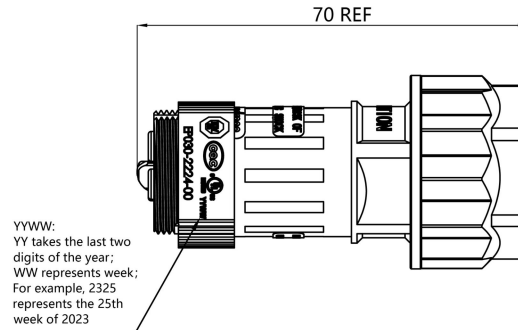
1.Cable: 3G1.5mm², UV resistance;

2.The cable and connector connect firmly, has no looseness, scratches, crack and other defects

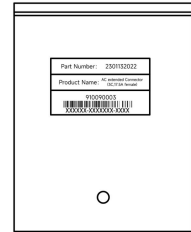
2301132022_AC Extended Connector(3C,17.5A,Female)



CHANGE NO.	CHANGE CONTENTS	REV.	NAME/DATE



Packing



Technical Data:

Electrical:

- 1.Rated Voltage : TUV/CQC: 450V AC
UL: 600V AC;
- 2.Rated Impulse Voltage: 2500V;
- 3.Rated Current : 17.5A;
- 4.Contact Resistance : $\leq 10\text{m}\Omega$;
- 5.Insulation Resistance : $\geq 500\text{M}\Omega$;

Mechanical:

- 1.Cable Retention Force :
OD:9-12mm,F $\geq 100\text{N}$;
- 2.Mating and Unmating Force $\leq 80\text{N}$;
- 3.Cable OD : 9.5~11.5mm;

Environmental:

- 1.Waterproof Rate : IP68 1m-1H;
- 2.Application Temperature : -40°C~+85°C;
- 3.Flammng Level : UL94-V2;

Material:

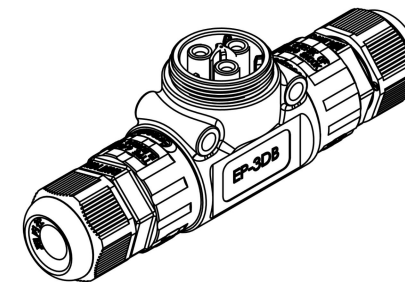
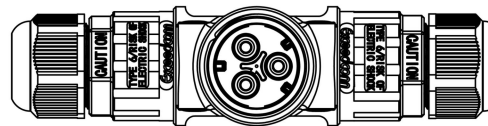
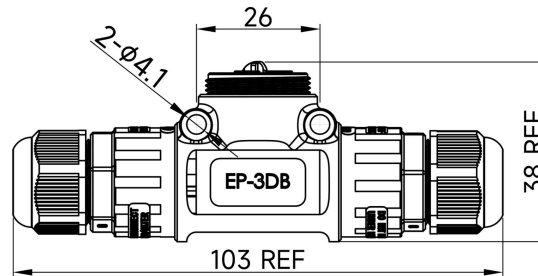
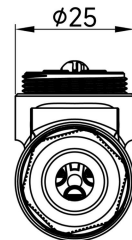
- 1.Plastic Material : PA66 and PA66 30%GF;
- 2.Terminal :Copper Alloy,Ni Plating;
- 3.Sealing Material: Silicone Rubber;
- 4.Screw Material: Fe Alloy, Ni Palting;
- 5.Type:EP030-2224-11

TOLERANCES UNLESS OTHERWISE SPECIFIED		MATERIAL		 NAME AC Extended Connector (3C,17.5A,female)
X:	± 0.50	X*:	$\pm 3.00^*$	
.X:	± 0.30	.X*:	$\pm 2.00^*$	
.XX:	± 0.20	.XX*:	$\pm 1.00^*$	
.XXX:	± 0.10	.XXX*:	$\pm 0.50^*$	
DWN.	UNIT	mm		
CHK.	SHEET	OF	REV.	

2301232012_AC T Connector(3C,17.5A)

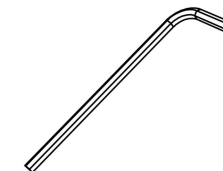
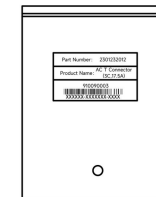


CHANGE NO.	CHANGE CONTENTS	REV.	NAME/DATE



Packing

Wrench



Notes:

Electrical

1. Rated Voltage: 250V;
2. Rated Current: 17.5A;
3. Contact Resistance: $\leq 10\text{m}\Omega$;
4. Insulation Resistance: $\geq 500\text{M}\Omega$;

Mechanical:


1. Mating Cycle: ≥ 500 ;
2. Cable Retention Force: $\geq 100\text{N}$;
3. Sealing Size: $\phi 11.5\text{mm}$;
4. Cable O.D: 9.5~11.5mm;
5. Wire Size: 1.5mm^2 ;

Environmental:

1. Waterproof Rate: IP68;
2. Application Temperature: $-40^\circ\text{C} \sim +85^\circ\text{C}$;
3. Flaming Level: UL94-V0;

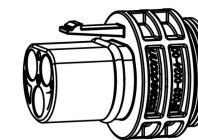
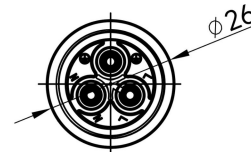
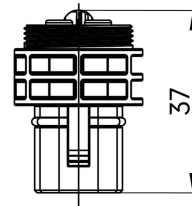
Others:

1. Type No.: EP-3DB;

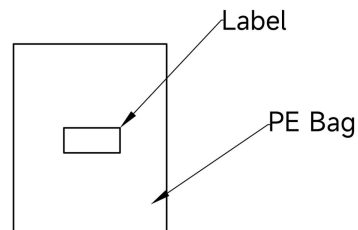
TOLERANCES UNLESS OTHERWISE SPECIFIED		MATERIAL		 APsystems ALTERNATE POWER
X:	± 1.00	X*:	$\pm 3.00^\circ$	
.X:	± 0.50	.X*:	$\pm 2.00^\circ$	AC T Connector(3C,17.5A)
.XX:	± 0.20	.XX*:	$\pm 1.00^\circ$	DRAWING NO.
.XXX:	± 0.10	.XXX*:	$\pm 0.50^\circ$	
DWN.		UNIT	mm	
CHK.		SHEET	OF	
			REV.	



CHANGE NO.	CHANGE CONTENTS	REV.	NAME/DATE



Packing



Technical Data :

Electrical:


1. Rated Voltage :300V ;
2. Rated Current :17.5A,
3. Contact Resistance : $\leq 5m\Omega$;
4. Dielectric Withstanding Voltage: 4000V ;
5. Insulation Resistance : $\geq 500M\Omega$;

Mechanical:

1. Mating Cycle : ≥ 50 ;

Enviromental:

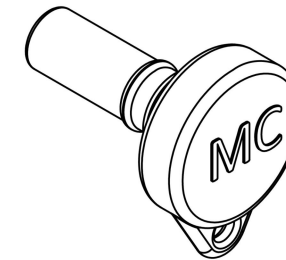
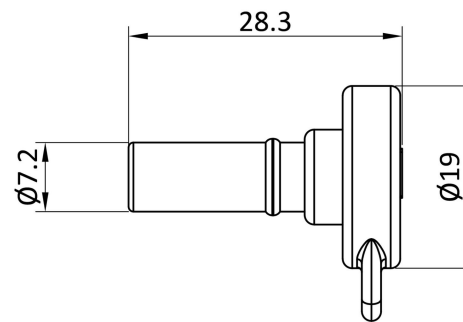
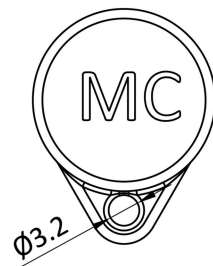
1. Protection Level : IP68 1m-2H (After mating) ;
2. Environment Temperature : -40°C~+85°C ;

TOLERANCES UNLESS OTHERWISE SPECIFIED		MATERIAL	
X.± 0.50	X'± 2.00°	 NAME Adapter (EP030-BC01) DRAWING NO. -	
.X± 0.30	.X'± 1.00°		
.XX± 0.20	.XX'± 0.50°		
.XXX± 0.10	.XXX'± 0.30°		
DWN.			
CHK.	SHEET -- OF --	REV.	0.0


2060401006_DC Male Connector Cap (MC4)



CHANGE NO.	CHANGE CONTENTS	REV.	NAME/DATE



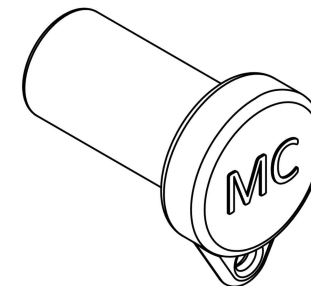
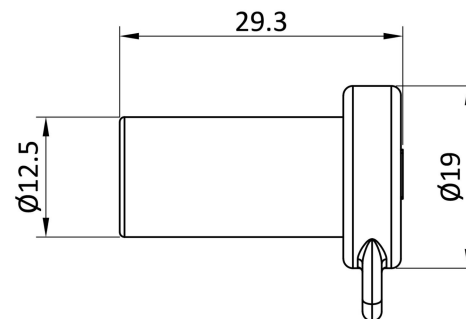
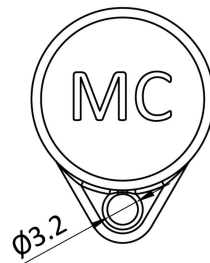
Notes:
 1. Type: PV-SVK4;
 2. Degree of protection: IP67;

TOLERANCES UNLESS OTHERWISE SPECIFIED ±0.5	MATERIAL TPE	 NAME DC Male Connector Cap (MC4)
DWN.	UNIT mm	DRAWING NO.
CHK.	SHEET -- OF --	REV. 0.0


2060402006_DC Female Connector Cap (MC4)

RoHS
REACH

CHANGE NO.	CHANGE CONTENTS	REV.	NAME/DATE



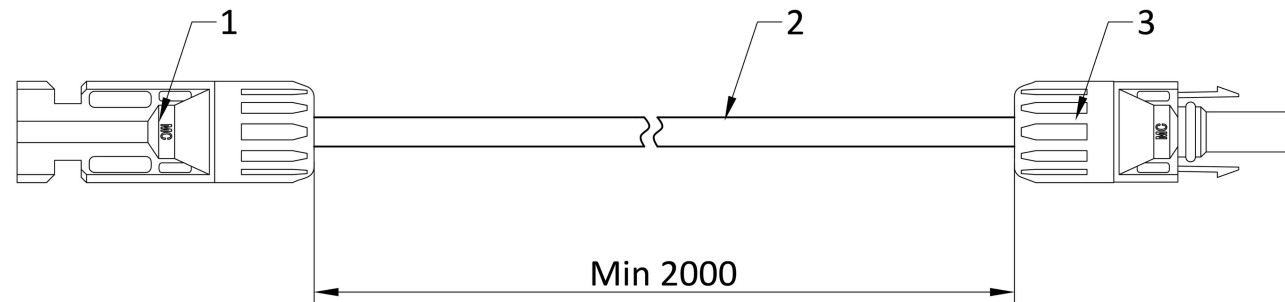
- Notes:
 1. Type: PV-BVK4;
 2. Degree of protection: IP67;

TOLERANCES UNLESS OTHERWISE SPECIFIED ±0.5	MATERIAL TPE	 ALTENERGY POWER
DWN.	UNIT mm	NAME DC Female Connector Cap (MC4)
CHK.	SHEET -- OF -- REV. 0.0	DRAWING NO. -

2310360214_2m DC Extension Cable (MC4)



CHANGE NO.	CHANGE CONTENTS	REV.	NAME/DATE
②	Add alternative cable	0.2	YFT 2022-9-14



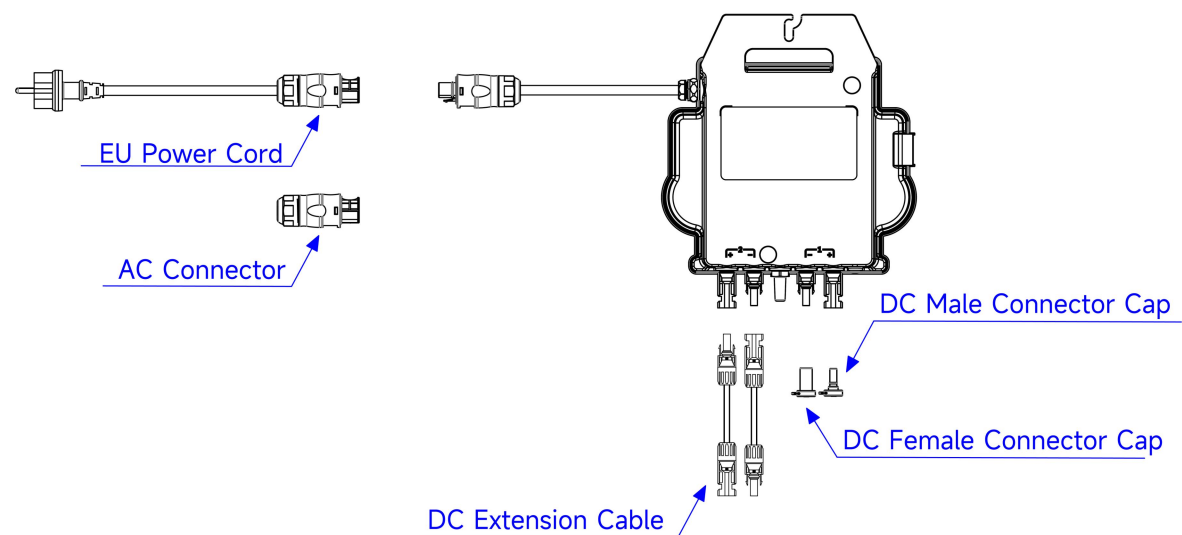
3	DC Connector (female)	MC4 PV-KBT4/6II		1	Female, STAUBLI	
① 2	DC Cable	FLEX-SOL-EVO-DX 4.0		1	4.0mm ² , TUV/UL certification	
		62930 IEC 131/PV		1	4.0mm ² /12AWG, TUV/UL certification	Alternative
1	DC Connector (male)	MC4 PV-KST4/6II		1	Male, STAUBLI	

Notes:
 1. The DC cable and connector connect firmly, can sustain 100N-60s tension
 2. The pin concentric with plastic parts, ensure that there is no contradict phenomenon when male connector inserts into female connector

NO.	NAME	TYPE	MAT.	QTY.	DESCRIPTION	REMARK
TOLERANCES UNLESS OTHERWISE SPECIFIED		MATERIAL				
> 0-100	±5	> 2500-3500	±45	 NAME 2m DC Extension Cable (MC4)		
> 100-500	±10	> 3500-4500	±50			
> 500-900	±15	> 4500-5500	±65			
> 900-1300	±25	> 5500-6500	±80			
> 1300-1800	±30	> 6500-8000	±90			
> 1800-2500	±35	> 8000-10000	±100			
DWN.		UNIT	mm		DRAWING NO.	
CHK.		SHEET	--	OF	--	REV. 0.2

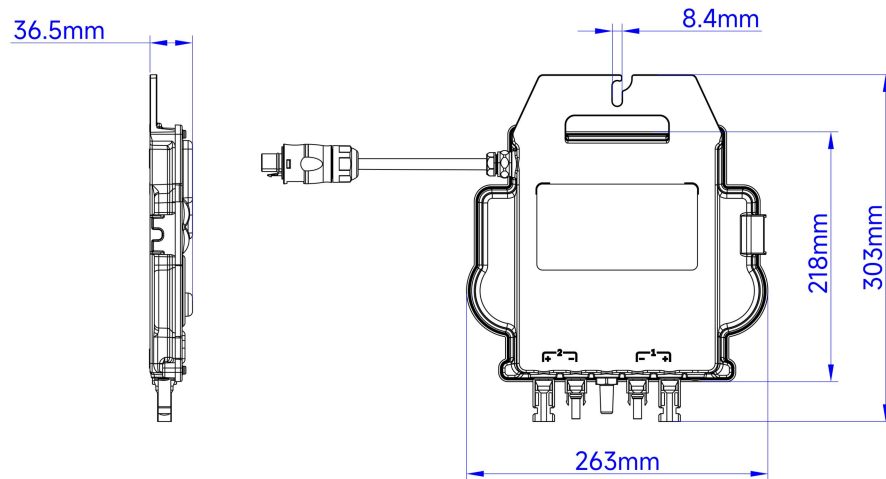
EZ1 Series Accessories(BC01)

1. Wiring Diagram

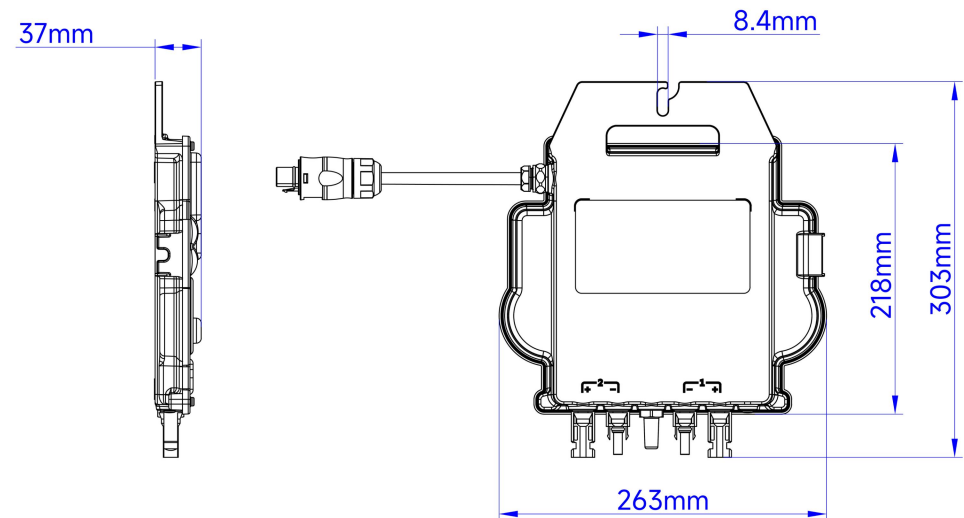


2.EZ1 Dimensions

EZ1-S/EZ1-M Dimensions



EZ1-H Dimensions



3.Accessories Summary

Region	Accessories				
	EU Power Cord (Optional)	AC Connector (Female) (Optional)	DC Male Connector Cap (Optional)	DC Female Connector Cap (Optional)	DC Extension Cable (Optional)
Europe -M-EU(600W) (134068) -M-EU(800w) (132068) -H-EU (129070)	2337041134_EU Power Cord(1.5mm ² ,BC01,H07,5m) (See Pic. A)	2301632304_AC Connector(3C,25A,Female) (See Pic. B)	2060401006_DC Male Connector Cap (MC4) (See Pic. C)	2060402006_DC Female Connector Cap (MC4) (See Pic. D)	2310360214_2m DC Extension Cable (MC4) (See Pic. E)

Notes: The cables in this table are recommended by APsystems, and the O.D. and length of the cable can be customized according to customer needs.

4. Physical Picture

EU Power Cord	AC Connector	DC Male Connector Cap	DC Female Connector Cap	DC Extension Cable
 <p data-bbox="389 635 456 660">Pic. A</p>	 <p data-bbox="739 635 806 660">Pic. B</p>	 <p data-bbox="1090 635 1158 660">Pic. C</p>	 <p data-bbox="1438 635 1505 660">Pic. D</p>	 <p data-bbox="1787 635 1854 660">Pic. E</p>

5. Accessories information

2337041134_EU Power Cord(1.5mm²,BC01,H07,5m)

CHANGE NO.	CHANGE CONTENTS	REV.	NAME/DATE

WIRE RUN LIST			
mm ²	CONN	COLOR	EU power plug
1.5	L	BROWN	L
	N	BLUE	N
	PE	YELLOW/GREEN	PE

Note:

- CABLE PRINTING : ◀VDE▶ H07RN-F 3G1.5mm² WUXI ZHONGHUI WIRE & CABLE CO.,LTD
CCC A005618 60245 IEC 66(YCW) 450/750V 3×1.5mm²
- WATERPROOF RATING: CONN:IP67 EU Power Plug: IP44
- WIRING: BROWN-L, BLUE-N, YELLOW/GREEN-PE
- ELECTRICAL PARAMETERS :
WORKING VOLTAGE RATING: 250V
WORKING CURRENT RATING CABLE 16A
RESISTANCE VOLTAGE: AC 2500V 10mA 1 Minute
CONDUCTOR RESISTANCE: 13.3Ω/km 20C°

Bag label

Part Number : 2337041134
 Product Name: EU Power Cord (1.5mm²,BC01,H07,5m)

Packing:

TOLERANCES UNLESS OTHERWISE SPECIFIED	
1-10:±1	11-30:±2
31-50:±3	51-200:±5
200-400:±7	> 401:±10
ANGLES:±1°	

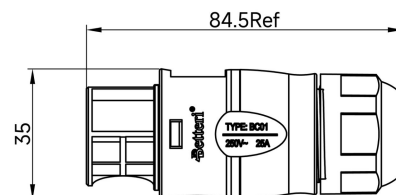
MATERIAL	
NAME	
EU Power Cord(1.5mm ² ,BC01,H07,5m)	
DRAWING NO.	

DWN.	UNIT	mm	
CHK.	SHEET	OF	REV.

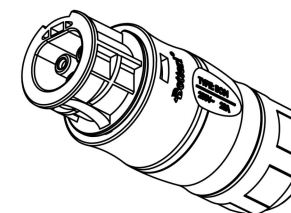
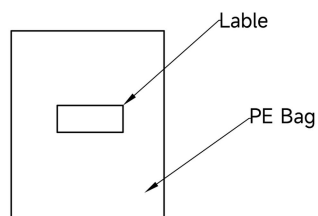
2301632304_AC Connector(3C,25A,Female)




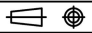
CHANGE NO.	CHANGE CONTENTS	REV.	NAME/DATE



Packing

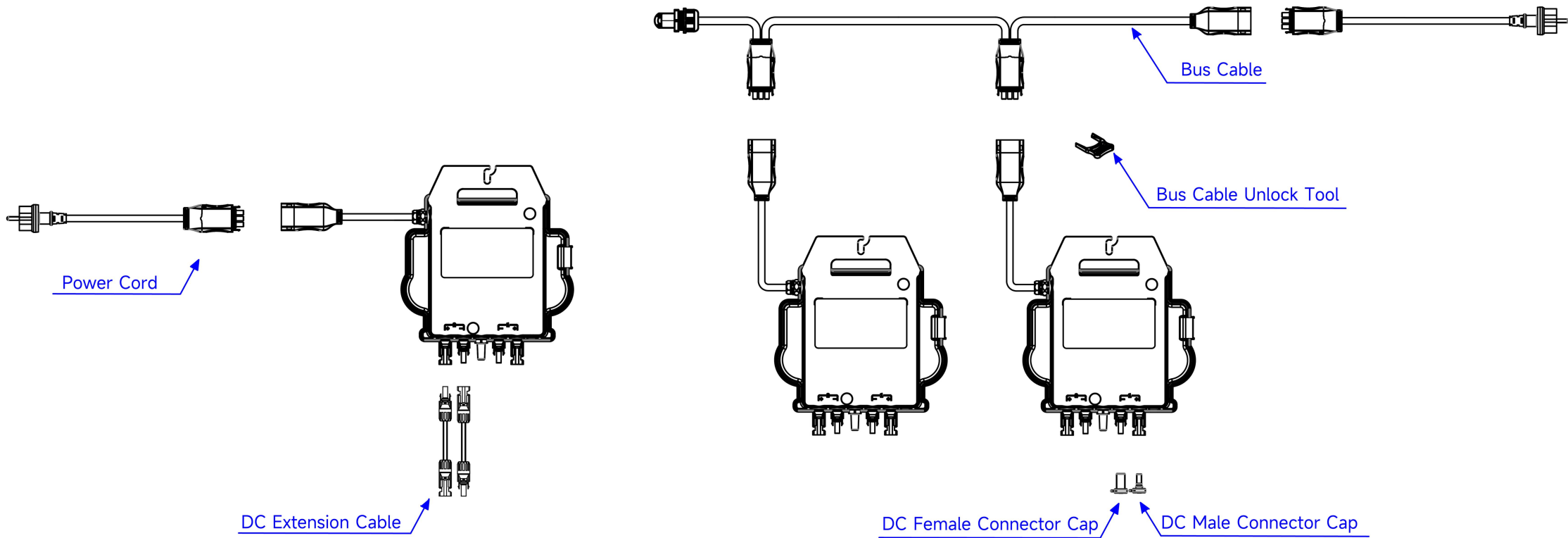


- Notes:
- Electric testing:
1. Rated Voltage:CSA:250/350V AC; TUV:250 AC;
 2. Rated Current:25A;
 3. Contact Resistance: $\leq 1\text{m}\Omega$;
 4. Dielectric Withstanding Voltage:4000V
 5. Insulation resistance: $\geq 500\text{M}\Omega$;
- Mechanical property:
1. Mating Cycle: ≥ 500 times;
 - 2.Cable O.D: 10~13mm;
- Environmental performance:
1. Waterproof rating: IP68 1m-60min(After mating);
 2. Operating Temperature: $-40^{\circ}\text{C}\sim+85^{\circ}\text{C}$
- Others:
- 1.Type No:BC01-3F22-15

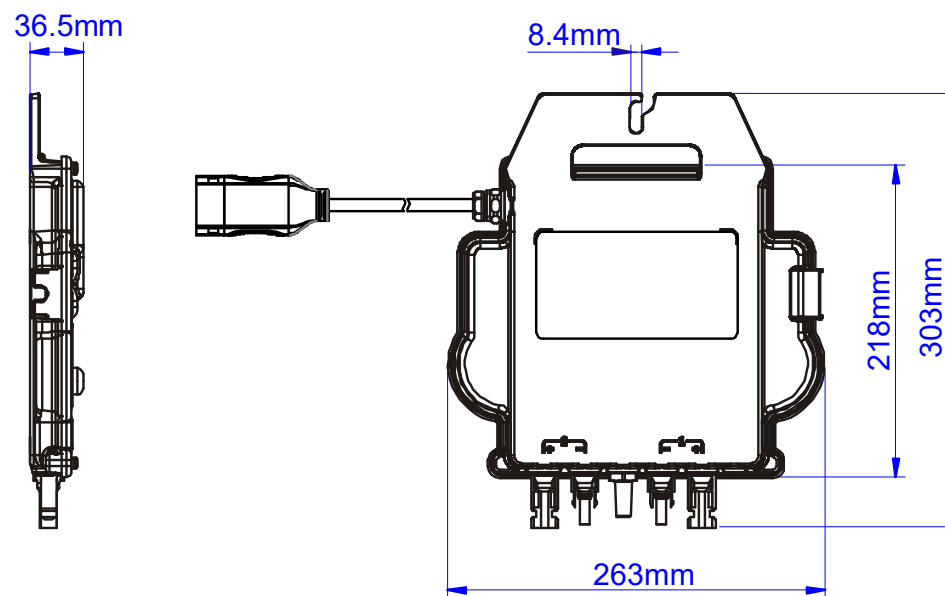
TOLERANCES UNLESS OTHERWISE SPECIFIED		MATERIAL		 APsystems ALTENERGY POWER
X.	± 3.00	X°	$\pm 3.00^{\circ}$	
.X	± 2.00	.X°	$\pm 2.00^{\circ}$	
.XX	± 1.00	.XX°	$\pm .00^{\circ}$	
.XXX	± 0.50	.XXX°	$\pm 0.50^{\circ}$	
DWN.	UNIT	mm		
CHK.	SHEET	OF	REV.	

EZ1 Series Accessories(Y3)

1.Wiring Diagram



2.EZ1 Dimensions



3. Accessories Summary

Region	Accessories				
	Power Cord (Optional)	Bus Cable (Optional)	DC Male Connector Cap (Optional)	DC Female Connector Cap (Optional)	DC Extension Cable (Optional)
Europe	2337023232_EU Power Cord(Y3,2.5mm ² ,H07,4m) (See Pic. A)	2322974903_Dual Parallel Bus Cable(2.5mm ² ,H07,2m) (See Pic. B)	2060401006_DC Male Connector Cap (MC4) (See Pic. C)	2060402006_DC Female Connector Cap (MC4) (See Pic. D)	2310360214_2m DC Extension Cable (MC4) (See Pic. E)
	2337023332_EU Power Cord(Y3,2.5mm ² ,H07,1m) (See Pic. A)				
	2337023432_EU Power Cord(Y3,2.5mm ² ,H07,10m) (See Pic. A)	2322984903_Dual Parallel Bus Cable(2.5mm ² ,H07,4m) (See Pic. B)			

Notes: The cables in this table are recommended by APsystems, and the O.D. and length of the cable can be customized according to customer needs

4. Physical Picture

Power Cord	Bus Cable	DC Male Connector Cap	DC Female Connector Cap	DC Extension Cable
				
Pic. A	Pic. B	Pic. C	Pic. D	Pic. E

APsystems

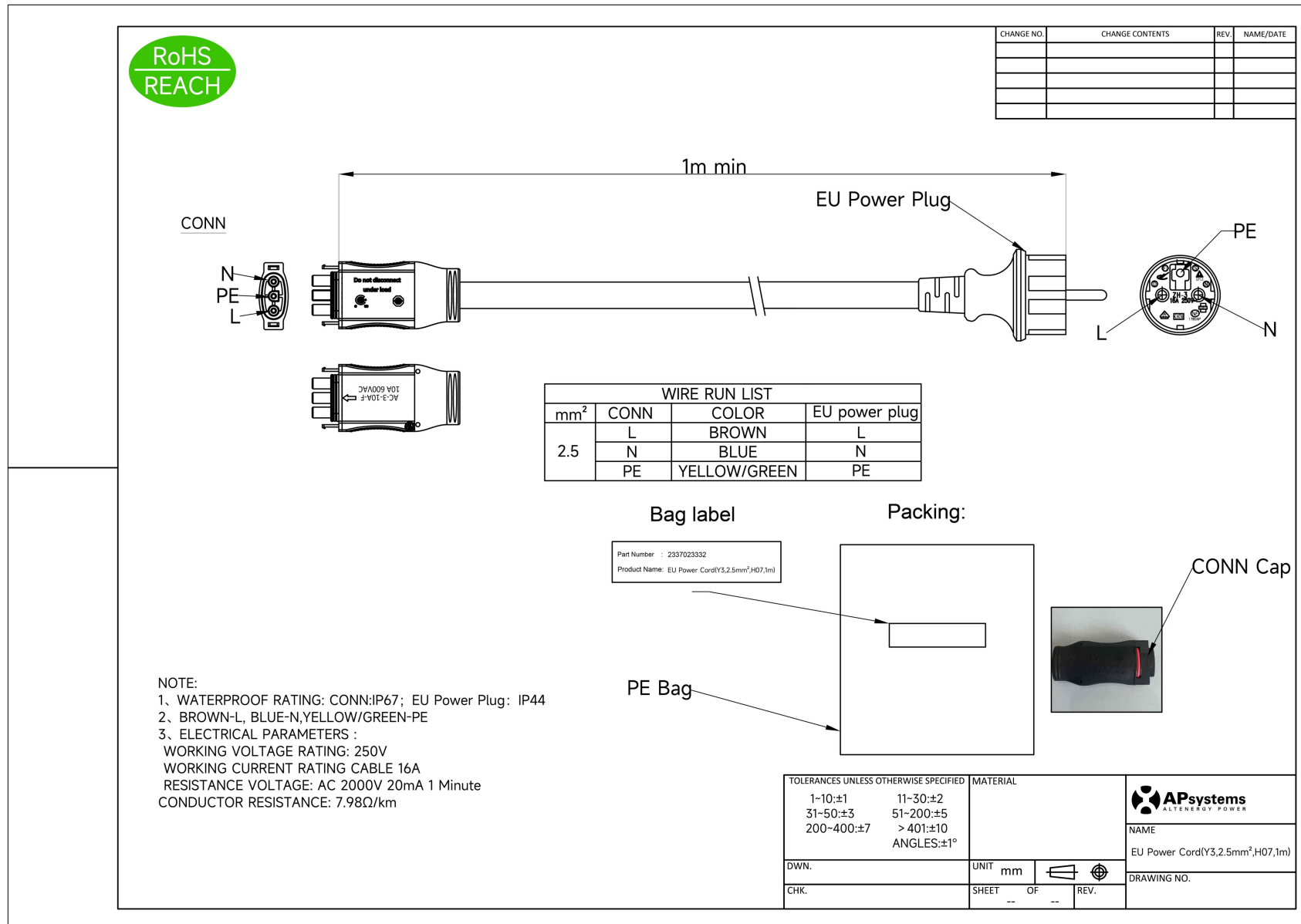
APsystems EMEA

22 Avenue Lionel Terray, 69330 Jonage, France

emea.APsistemas.com

5. Accessories information

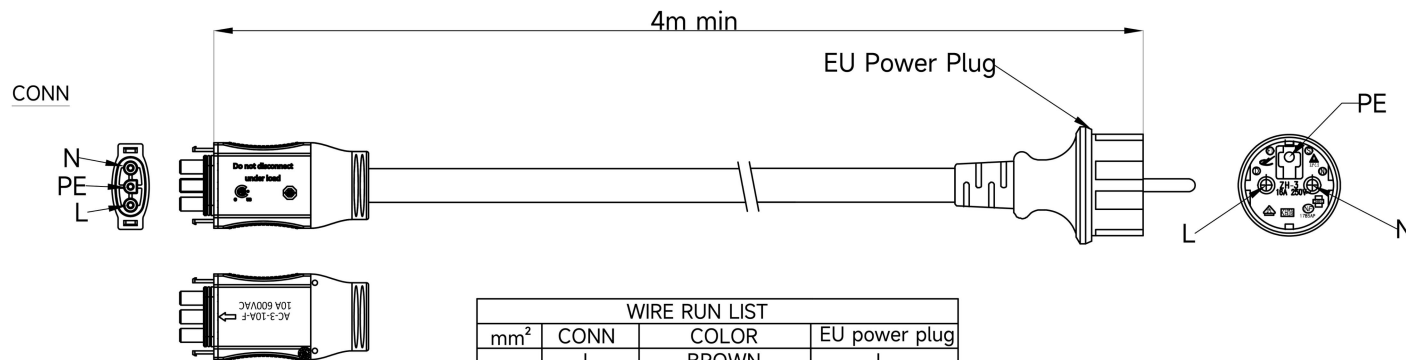
2337023332_EU Power Cord(Y3,2.5mm²,H07,1m)



2337023232_EU Power Cord(Y3,2.5mm²,H07,4m)



CHANGE NO.	CHANGE CONTENTS	REV.	NAME/DATE



WIRE RUN LIST			
mm ²	CONN	COLOR	EU power plug
2.5	L	BROWN	L
	N	BLUE	N
	PE	YELLOW/GREEN	PE

Bag label



Packing:

Part Number :2337023232
Product Name :EU Power Cord(Y3,2.5mm²,H07,4m)

PE Bag

CONN Cap

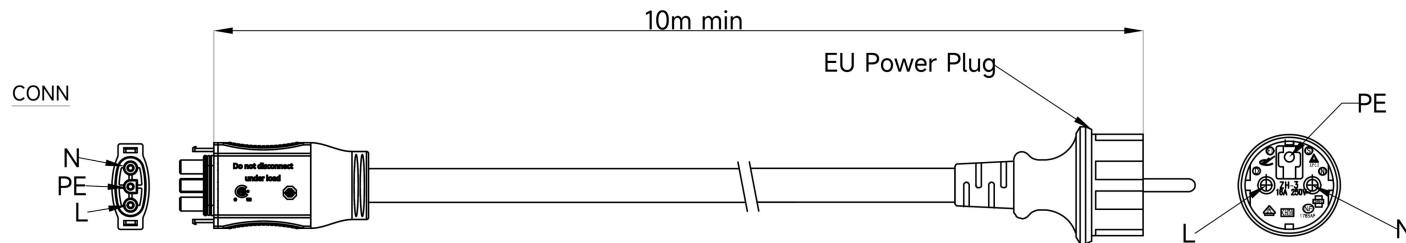
NOTE:
 1. WATERPROOF RATING: CONN:IP67; EU Power Plug: IP44
 2. BROWN-L, BLUE-N,YELLOW/GREEN-PE
 3. ELECTRICAL PARAMETERS :
 WORKING VOLTAGE RATING: 250V
 WORKING CURRENT RATING CABLE 16A
 RESISTANCE VOLTAGE: AC 2000V 20mA 1 Minute
 CONDUCTOR RESISTANCE: 7.98Ω/km

TOLERANCES UNLESS OTHERWISE SPECIFIED		MATERIAL	
1-10:±1	11-30:±2	 NAME EU Power Cord(Y3,2.5mm ² ,H07,4m)	
31-50:±3	51-200:±5		
200-400:±7	> 401:±10		
ANGLES:±1°		DRAWING NO.	
DWN.	UNIT mm		REV.
CHK.	SHEET --	OF --	REV.

2337023432_EU Power Cord(Y3,2.5mm²,H07,10m)



CHANGE NO.	CHANGE CONTENTS	REV.	NAME/DATE



WIRE RUN LIST			
mm ²	CONN	COLOR	EU power plug
2.5	L	BROWN	L
	N	BLUE	N
	PE	YELLOW/GREEN	PE

Bag label



Packing:

Part Number: 2337023432
Product Name: EU Power Cord(Y3,2.5mm²,H07,10m)

PE Bag

CONN Cap

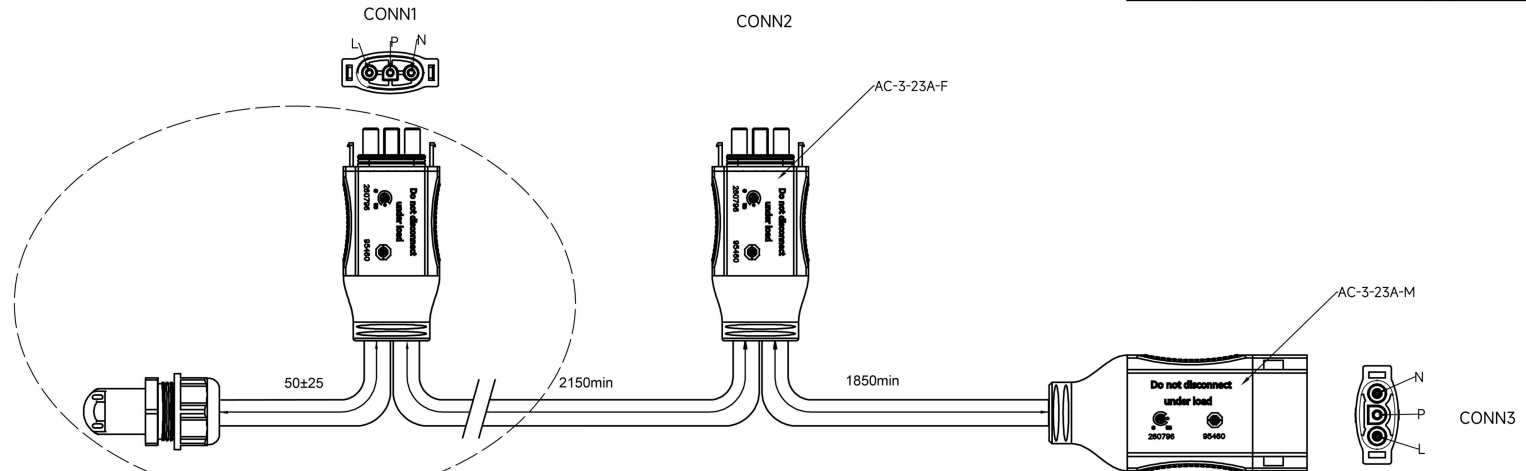
NOTE:
 1. WATERPROOF RATING: CONN:IP67 ; EU Power Plug: IP44
 2. BROWN-L, BLUE-N,YELLOW/GREEN-PE
 3. ELECTRICAL PARAMETERS :
 WORKING VOLTAGE RATING: 250V
 WORKING CURRENT RATING CABLE 16A
 RESISTANCE VOLTAGE: AC 2000V 20mA 1 Minute
 CONDUCTOR RESISTANCE: 7.98Ω/km

TOLERANCES UNLESS OTHERWISE SPECIFIED		MATERIAL		 NAME EU Power Cord(Y3,2.5mm ² ,H07,10m)
1-10:±1	11-30:±2	UNIT	mm	
31-50:±3	51-200:±5		SHEET OF REV.	
200-400:±7	> 401:±10			
ANGLES:±1°		DRAWING NO.		

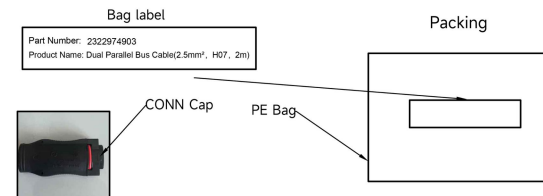
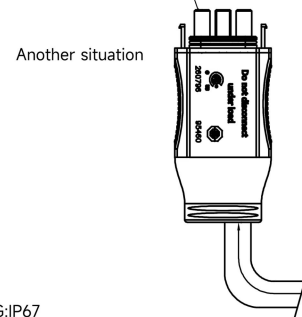
2322974903_Dual Parallel Bus Cable(2.5mm²,H07,2m)





CHANGE NO.	CHANGE CONTENTS	REV.	NAME/DATE



WIRE RUN LIST		
mm ²	COLOR	CONN1-CONN3
2.5mm ²	BROWN	L
	BLUE	N
	YELLOW/GREEN	PE



- Notes:
- 1.WATERPROOF RATING:IP67
RESISTANCE VOLTAGE AC 2500V 50MA 1 Minute
 - 2.WORKING VOLATAGE RATING:MAX 600V AC
 - 3.WORKING CURRENT RATING CABLE MAX 23A
 - 4.ELECTRIC TESTING:
CONDUCTOR RESISTANCE: 10Ω/km
 - 5.PACKING:PE BAG

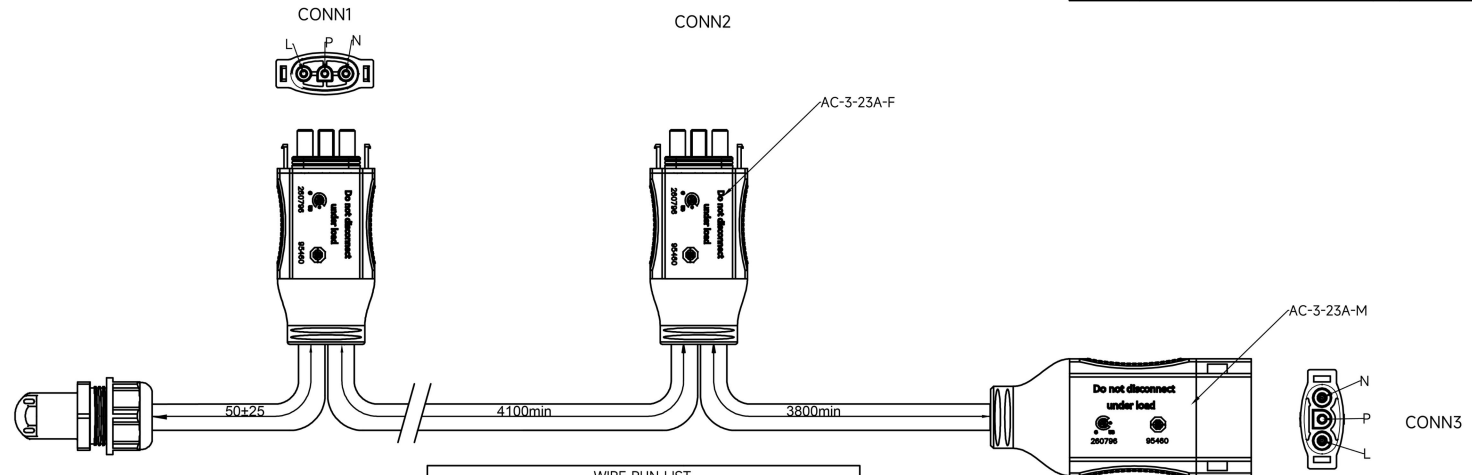
TOLERANCES UNLESS OTHERWISE SPECIFIED		MATERIAL	
>0-100 ±5	>2500-3500 ±45	 APsystems ALTERNATIVE ENERGY POWER NAME Dual Parallel Bus Cable (2.5mm ² , H07, 2m)	
>100-500 ±10	>3500-4500 ±50		
>500-900 ±15	>4500-5500 ±65		
>900-1300 ±25	>5500-6500 ±80		
>1300-1800 ±30	>6500-8000 ±90		
>1800-2500 ±35	>8000-10000 ±100	DRAWING NO.	
DWN.	UNIT mm		
CHK.	SHEET OF	REV.	0.0

tems
s EMEA
France

2322984903_Dual Parallel Bus Cable(2.5mm²,H07,4m)



CHANGE NO.	CHANGE CONTENTS	REV.	NAME/DATE

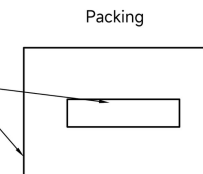


WIRE RUN LIST		
mm ²	COLOR	CONN1-CONN3
2.5mm ²	BROWN	L
	BLUE	N
	YELLOW/GREEN	PE

Bag label
 PartNumber: 2322984903
 Product Name: Dual Parallel Bus Cable(2.5mm², H07, 4m)



CONN Cap PE Bag



- Notes:
- 1.WATERPROOF RATING:IP67
RESISTANCE VOLTAGE AC 2500V 50MA 1 Minute
 - 2.WORKING VOLATAGE RATING:MAX 600V AC
 - 3.WORKING CURRENT RATING CABLE MAX 23A
 - 4.ELECTRIC TESTING:
CONDUCTOR RESISTANCE: 10Ω/km
 - 5.PACKING:PE BAG

TOLERANCES UNLESS OTHERWISE SPECIFIED		MATERIAL		
>0-100 ±5	>2500-3500 ±45	-		
>100-500 ±10	>3500-4500 ±50			
>500-900 ±15	>4500-5500 ±65			
>900-1300 ±25	>5500-6500 ±80			
>1300-1800 ±30	>6500-8000 ±90			
>1800-2500 ±35	>8000-10000 ±100			
DWN.	UNIT mm			APsystems ALTERNATELY POWER
CHK.	SHEET -- OF --	REV. 0.0	NAME Dual Parallel Bus Cable (2.5mm ² , H07, 4m)	
			DRAWING NO. -	

Revision history		
Version	Change contents	Date
REV1.0	First edition	2023-04-17
REV1.1	Update the name of power cord	2023-06-16
REV1.2	Update AC connector	2023-06-29
REV1.3	Update all drawings	2023-07-24
REV1.4	UpdateEZ1(EP030),add EZ1(BC01),EZ1(Y3)	2023-09-21