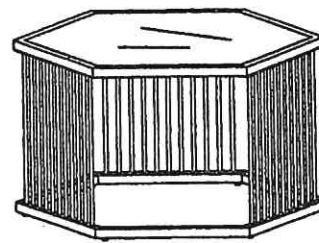
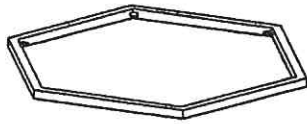
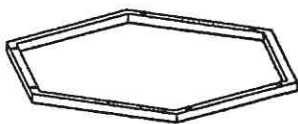
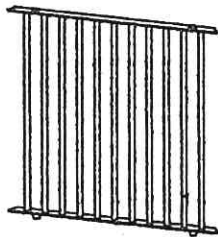

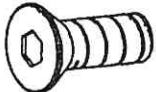
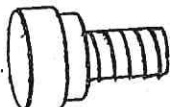




ITEM NO.81240ST/81241GL COFFEE TABLE

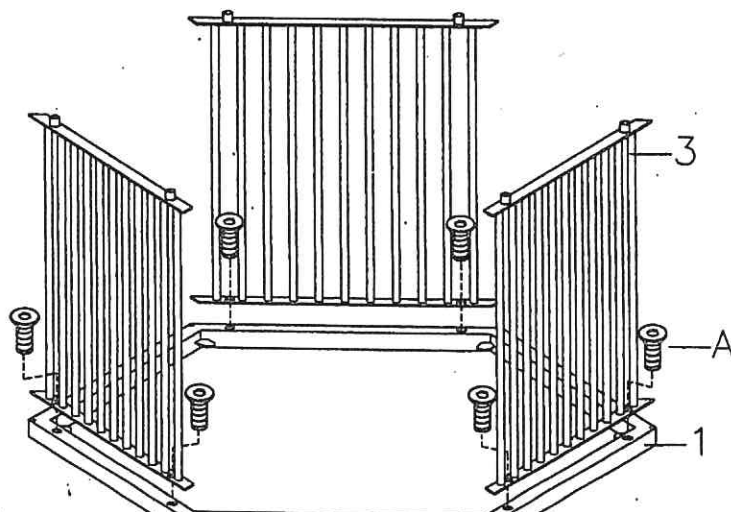


ASSEMBLY INSTRUCTIONS

1	2	3	4
 <p>TOP FRAME 1PC</p> <p>A</p>	 <p>BOTTOM FRAME 1PC</p> <p>B</p>	 <p>SIDE PANEL 3PCS</p> <p>C</p>	 <p>GLASS TOP 1PC</p> <p>D</p>
 <p>BOLT 1/4"x1/2" 12PCS</p>	 <p>LEVELER 6PCS</p>	 <p>GLASS PAD 6PCS</p>	 <p>ALLEN KEY 1PC</p>

***** Do not tighten screws & bolts until the entire unit is completely assembled. *****

STEP 1



Please make sure the top edge of trapezoid metal sheet on side panel (3) facing inwards while attaching side panel (3) to top frame (1) using bolts (A) as shown.