

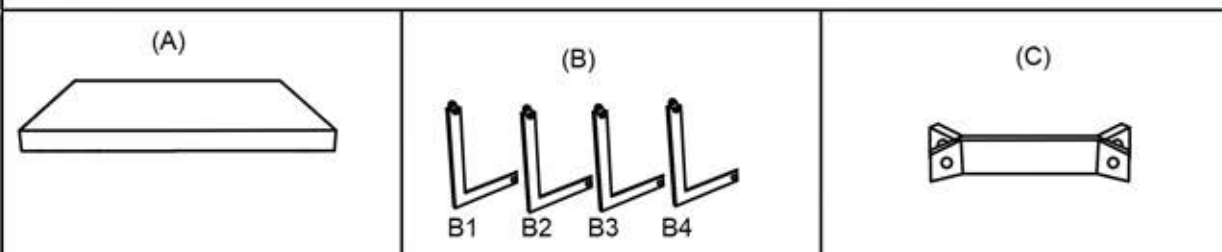
# ZIVAH-501-621

## Assembly Instruction/Instructions D'assemblage

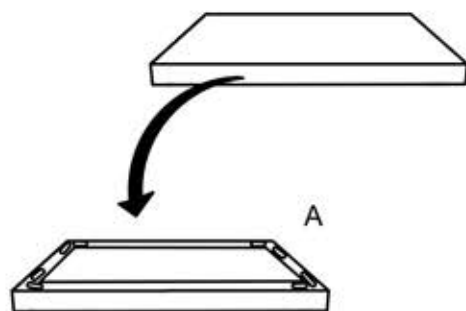
### Hardware List/ Liste de Materiel

 H1 X 8 BIG	 H2 X 4 SMALL	 H3 X 1 BIG	 H4 X 1 SMALL
--	---	---	---

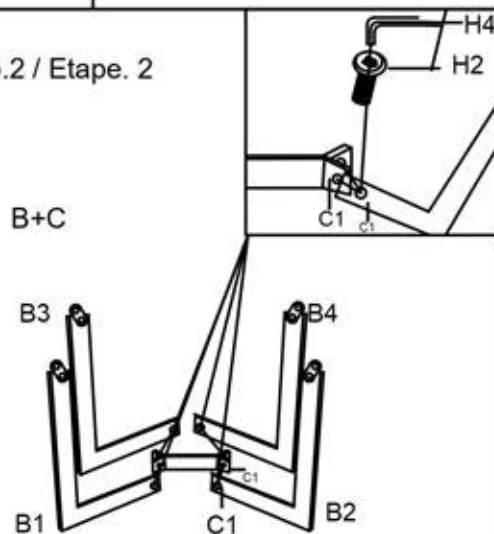
### Parts List/ Liste des Pieces



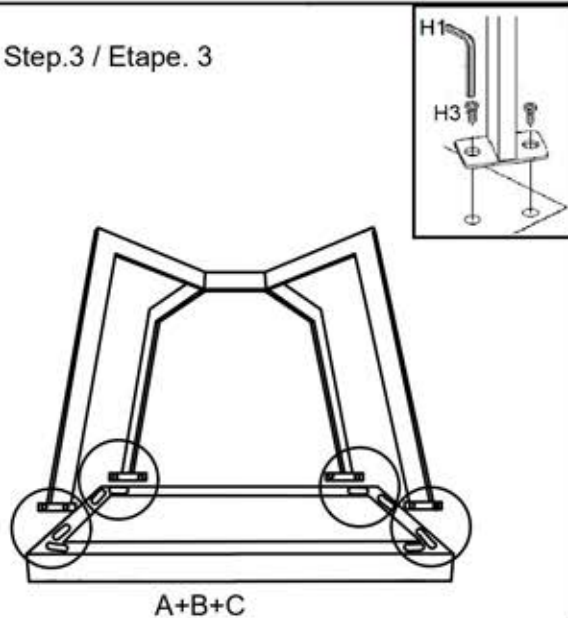
### Step.1 / Etape. 1



### Step.2 / Etape. 2



### Step.3 / Etape. 3



### Step.4 / Etape. 4

