

MATTEURS

SUSTAINABLE WASTE MADE BEAUTIFUL

INTRODUCING

COTTON STONE VASE COLLECTION

MATTEURS

SUSTAINABLE WASTE MADE BEAUTIFUL

COTTON STONE VASE COLLECTION

Cotton Stone™ is the result of years of research into how to use the cotton waste created by India's growing fashion industry. And as the world's fastest growing apparel market it's a problem that's not going away.

We're playing our small part by using the cotton scrap from clothing factories and transforming it into earthenware style products that are biodegradable, lightweight, unbreakable and beautiful.

By upcycling waste in this way, not only are we reducing post-manufacturing waste, we're reducing demand for mass produced traditional earthenware products.

MOTTEURS



COTTON STONE VASE COLLECTION





COTTON STONE VASE COLLECTION

SHATTERPROOF

LIGHTWEIGHT

100% UPCYCLED COTTON

WATERPROOF

NON-SCRATCH

BIODEGRADABLE

SUSTAINABLY HAND CRAFTED

COTTON STONE VASE COLLECTION



COTTON STONE VASE COLLECTION



We manufacture our products in green-energy factories that support local women with reliable, fair and ethically managed employment.

MATTEURS

COTTON STONE VASE COLLECTION

SHATTERPROOF

Unlike our delicate earthenware cousins, our vases can be dropped from a great height without any risk of breakage. Think of this as a insurance policy, against children and shipping companies.

100% UPCYCLED COTTON

We take industrial cotton waste from the fashion industry and upcycle it into beautiful objects worthy of collection. All made with GRS Certification.

SUPER SUSTAINABLE

The material we are made from is sustainable cotton. We also waterproof and dye in a sustainable way. So we think that deserves to be called Super Sustainable.

LIGHTWEIGHT AND NON-SCRATCH

Being lightweight means lower shipping costs and easier handling. And being non-scratch means your fancy French Oak surfaces will never know we've been there.

ETHICAL PRODUCTION

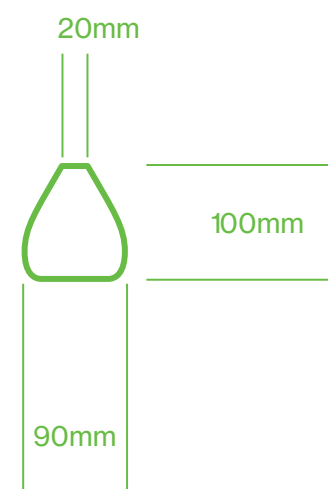
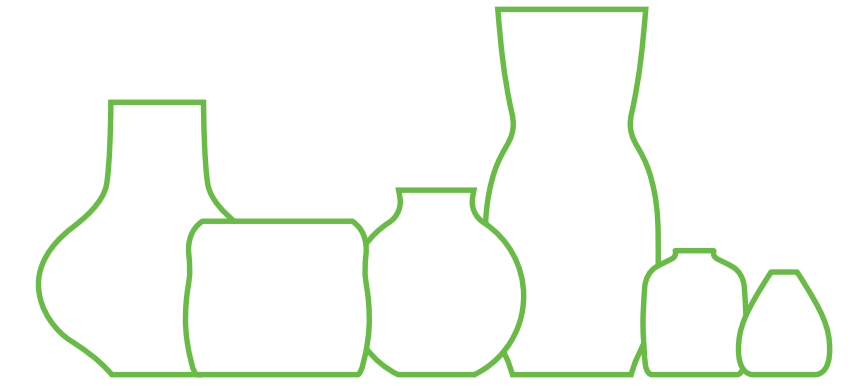
There's no use in creating products to help reduce waste if we don't look after our environment and our people in doing so. So we make sure that we look after both.

MATTEURS

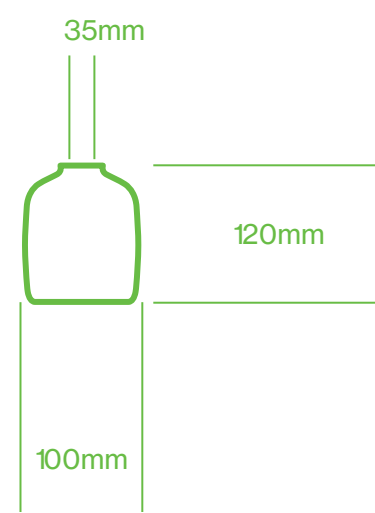


MATTEURS

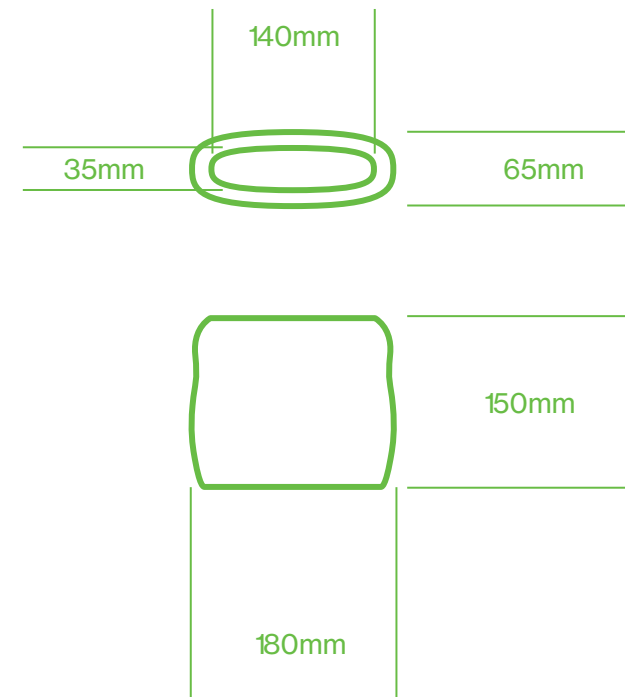
COTTON STONE VASE COLLECTION



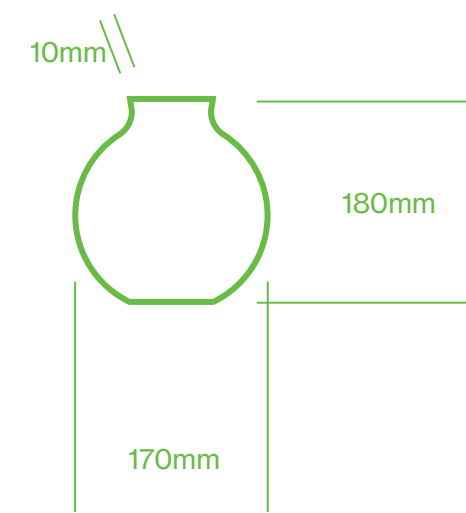
1.
PETITE
TEAR VASE



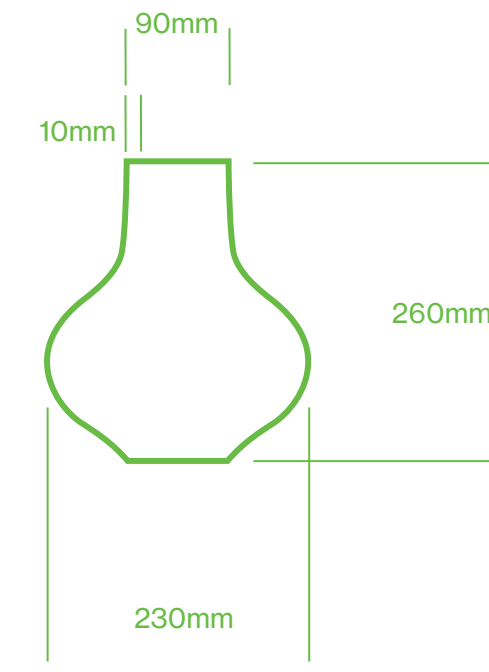
2.
SMALL
JAR VASE



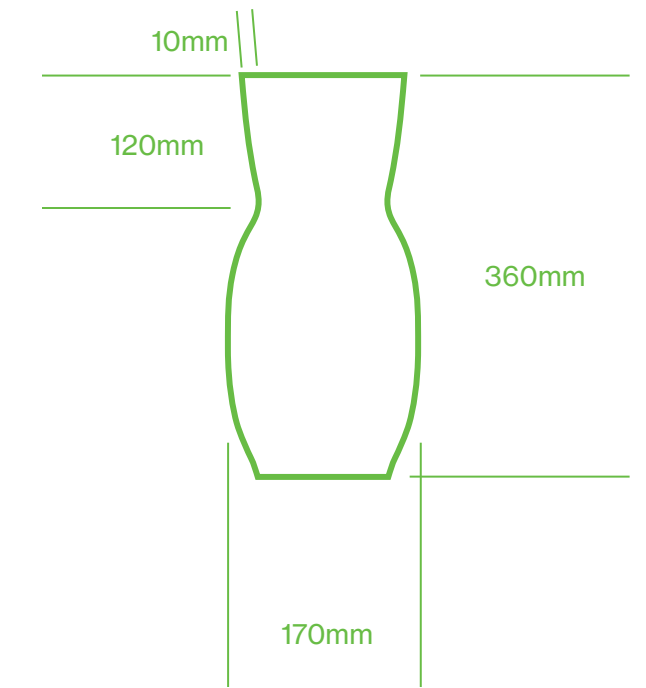
3.
MEDIUM
OVAL VASE



4.
LARGE
ROUND VASE



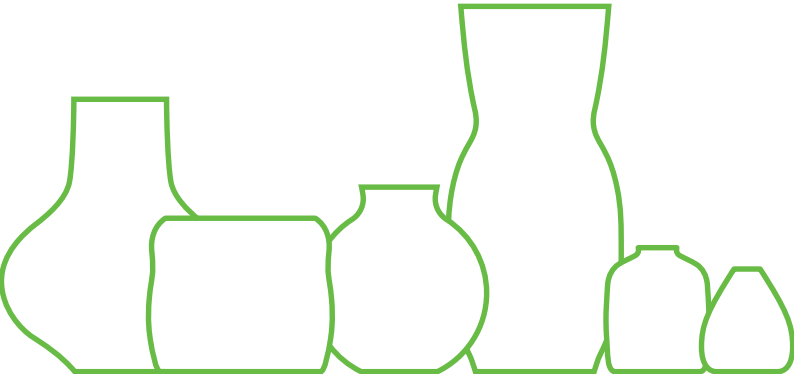
5.
XL
GOURD VASE



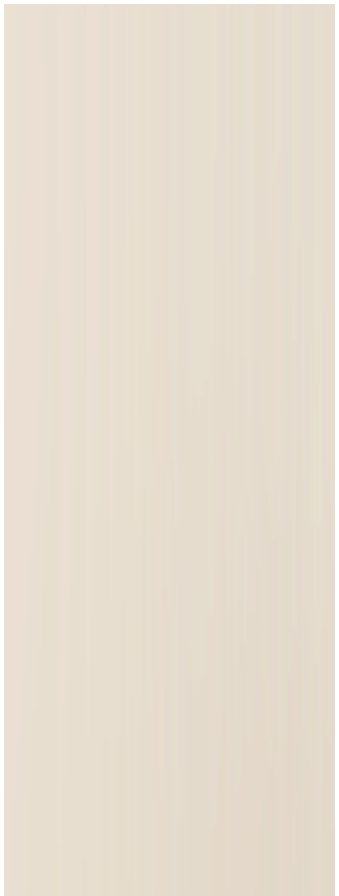
6.
XXL
LONG STEM VASE

MATTEURS

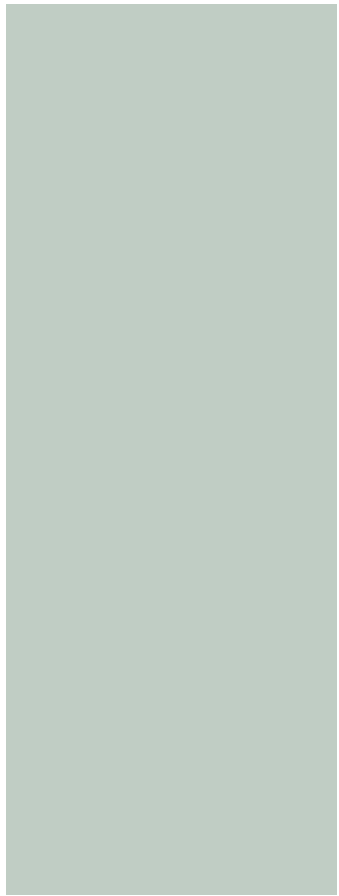
COTTON STONE VASE COLLECTION



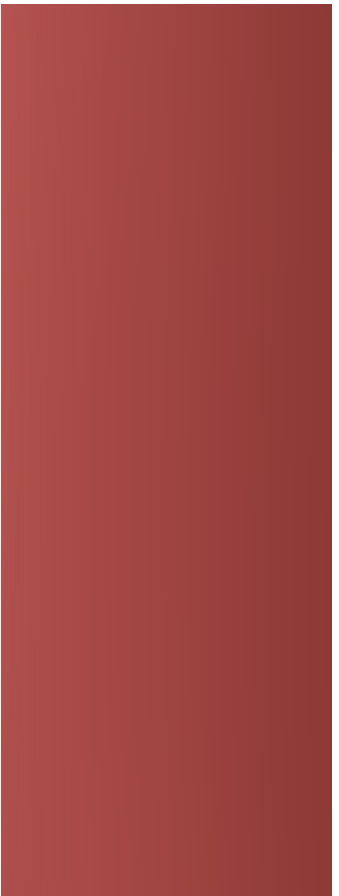
1.
EGG
SHELL



2.
RAW
LINEN



4.
DUCK
EGG



5.
MULBERRY
RUST



MATTEURS

SUSTAINABLE WASTE MADE BEAUTIFUL

matteurs.com

contact@matteurs.com

[wearematteurs](https://www.instagram.com/wearematteurs)

Anders Gabrielsson – 0411 604 594

Matt Gilmour – 0429 343 868

MATTEURS

SUSTAINABLE WASTE MADE BEAUTIFUL