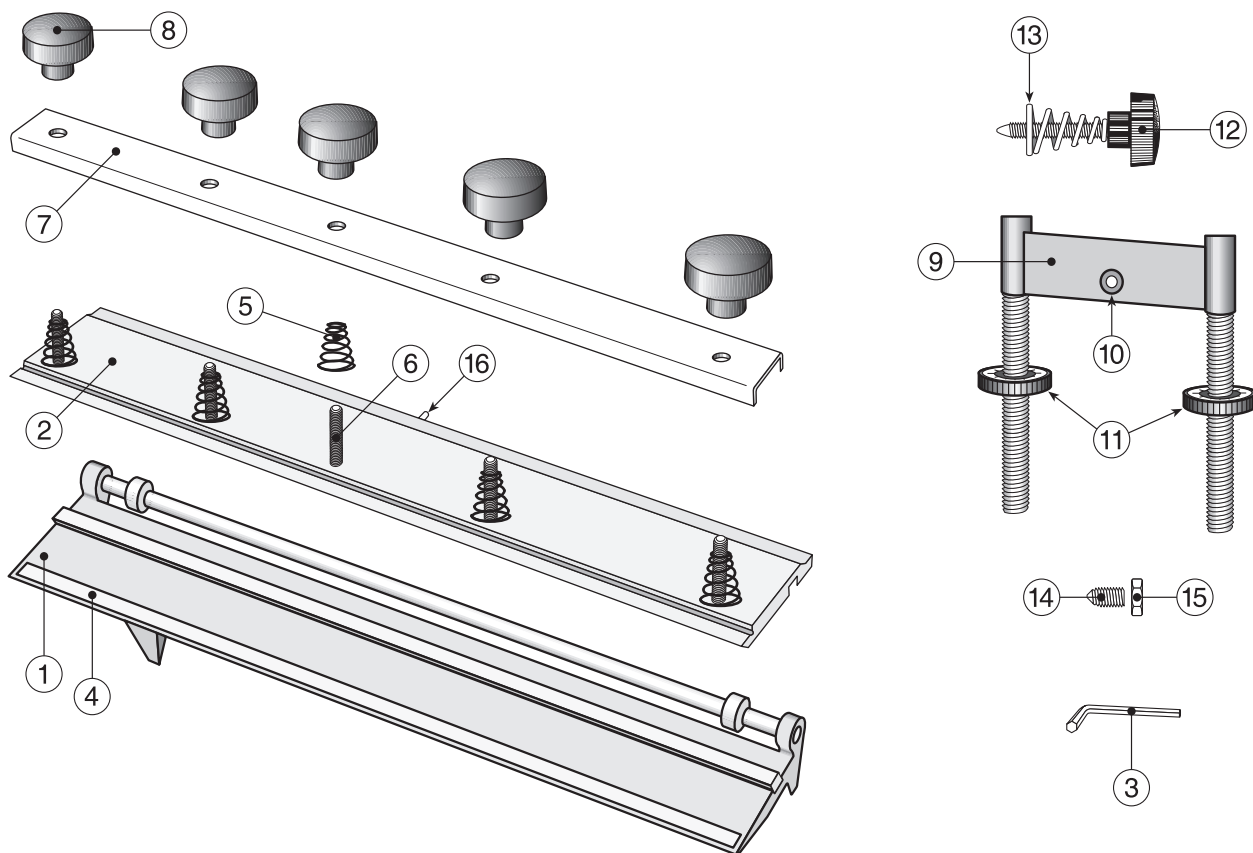


SVH-320 Planer Blade Attachment



Item no.	Article no.	Denomination	Quantity	Weight/piece	
				g	oz
1	2110	Support	1	545	19,22
2	2120	Blade holder	1	324	11,43
3	5090	Allen key, 2 mm	1	2	0,07
4	9494	Sliding film	1	1	0,04
5	0500	Spring	5	1	0,04
6	5500	Screw	5	5	0,18
7		Mounting plate	1		
8	7020	Knob nut	5	8	0,28
9		Base	1		
10	1050	Brass bushing, M6	1	4	0,14
11		Setting wheel with scale	2		
12	7070	Setting screw	1	13	0,46
13	0540	Spring	1	2	0,07
14	5210	Screw	2	4	0,14
15	5200	Nut	2	3	0,11
16	5130	Pin	1	1	0,04