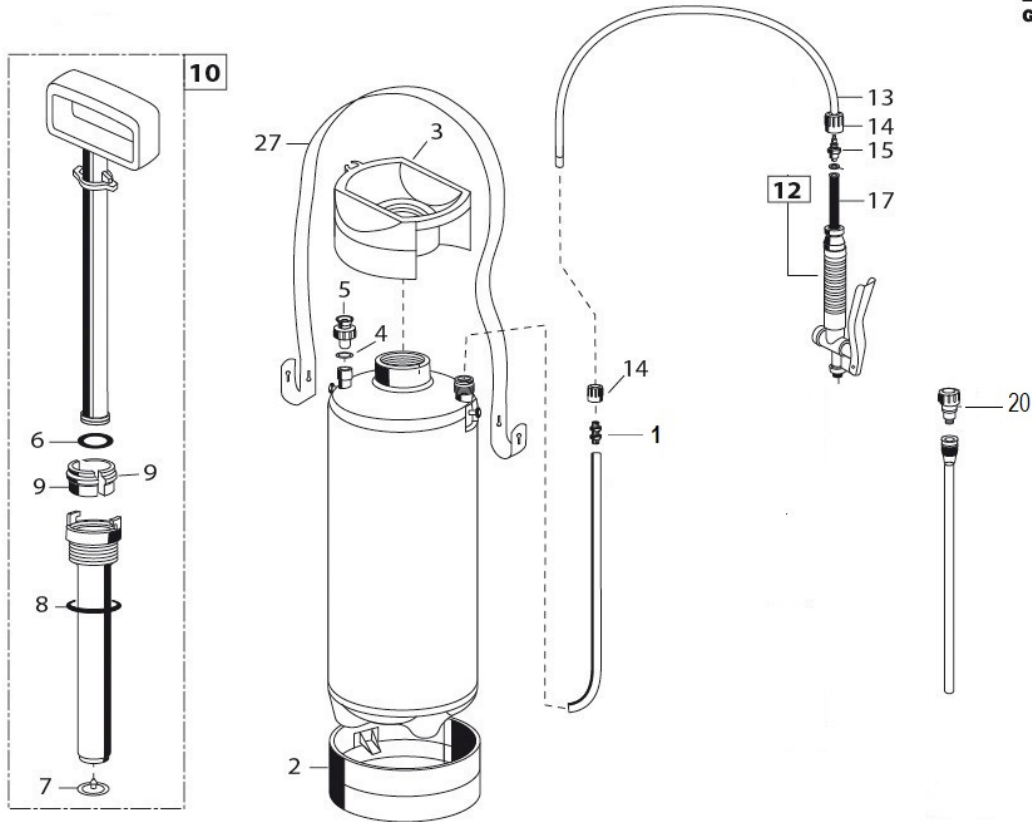


# Termifoam5 | 5.0L Termicide Foam Injector

Product #02 000081.TF15

Pressure sprayer

**GLORIA**  
Geräte für Haus und Garten



Technische Änderungen vorbehalten!

#	Article name	Article number
1	Foaming Segment	09 40-BCAI
2	Bottom Ring	P2 518280.0000
3	Filling Funnel	P2 540298.0000
4, 6, 7, 8	Viton Repair Kit Pressure	S2 728739.NYRD
5	Release Valve Nylon Rod	P2 728651.0000
9	Guide Set	P2 729096.0000
10	Complete Pump	P2 727281.0000
12	Trigger Valve	14322-4049
13	PU Foaming Tube	08 ATE-08M
14	Tube Connector	P2 521400.0000
15	Quick Trigger Tube	08 PC08-02
17	Filter	P2 613320.0000
20	Foam Injector	01 02INJNZL
27	Carrying Strap	2 509280.0000