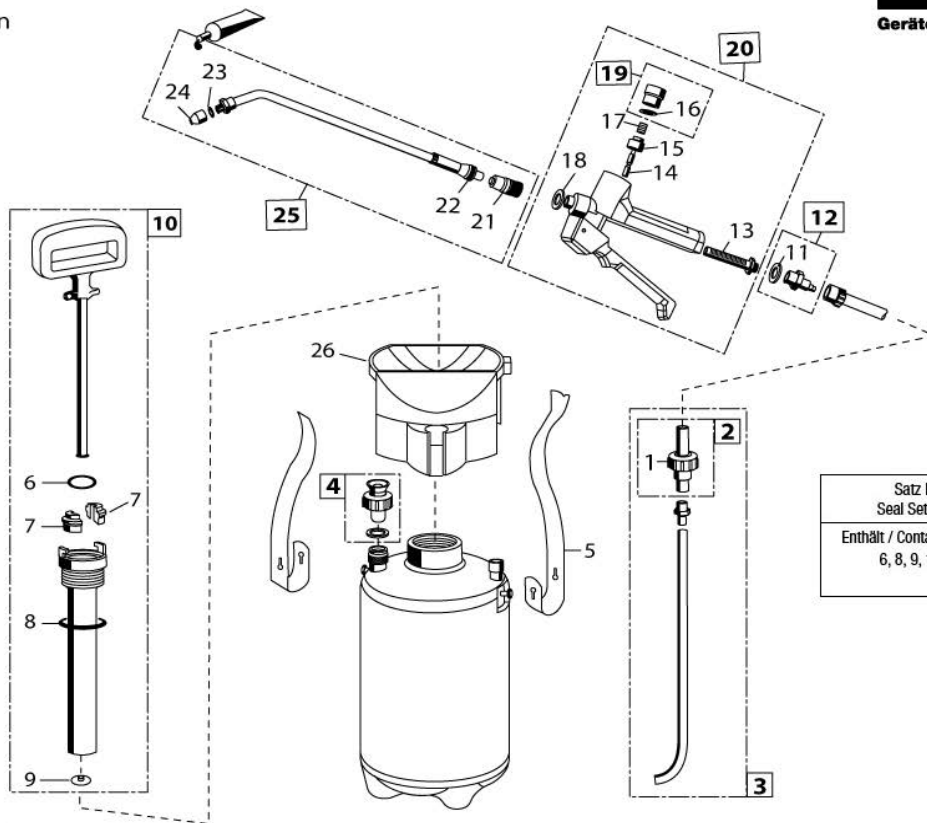


PRIMA3 | TERMIFOAM

Art.Nr. 02 000078.00FI

Drucksprüngerät
Pressure sprayer
Pulvérisateur a pression

GLORIA®
Geräte für Haus und Garten



Technische Änderungen vorbehalten!

#	Article name	Article number
1	Foaming Segment	09 40-BCAI
2	Foaming hose	706940.0000
3	Section Hose	728588.0000
4	Ventilating valve	728566.0000
5	Carrying strap	509280.0000
6	O-Ring	540386.0000
6	O-Ring	541806.0000
6, 8, 9, 11, 16, 18, 23	Seal set (SB)	728626.0000
7	Guide shell set Guide	729096.0000
7	shell set	729096.0000
8	O-Ring (SB)	706400.0000
9	Valve membrane (SB)	728086.0000
10	Pump	728614.0000
12	Hose Connector	09 40-BCMI
13	Filter sieve	513340.0000

#	Article name	Article number
15	Valve cone	539357.0000
17	Valve spring	612071.0000
19	Lock nut	723510.0000
20	Quick-acting valve	726993.0000
21	Transition piece	539359.0000
22	Union nut	539358.0000
23		
24		
25	Foaming Injector	728589.INJT
26	Filling funnel	539225.0000