



**Hills**®

**Single  
Retracting  
Clothesline**

Owner's Manual  
80156526



# Contacts

We are committed to providing you with complete customer satisfaction. If you have any questions or comments about our products or services please contact your nearest Customer Service Centre during their local business hours:

## **Australia**

1300 300 564

## **New Zealand**

0800 021 027

## **Email**

[hhl.enquiries@amesau.com](mailto:hhl.enquiries@amesau.com)

## **Hills Websites**

### **Hills Home Living**

[hillshome.com.au](http://hillshome.com.au)

### **Hills Consumer Advice**

[hillshome.com.au/need-help](http://hillshome.com.au/need-help)



**AMES Australasia Pty Ltd.**

ABN 89 169 427 061

Issue August 2019

# Hills Lifetime Warranty

AMES Australasia Pty Ltd warrants that this Hills product will be free from defects in manufacturing for the lifetime of the original purchaser of the product. This warranty does not extend to plastic hanging line or the surface finish of the product from weathering. If a defect covered by this warranty becomes evident during that period, AMES Australasia Pty Ltd will, at its option, replace the product, supply replacement parts for the product or refund the product. The cost or labour required to install any replacement part or product supplied under a valid warranty claim is not covered.

In the event of a defect covered by this warranty, you should contact the Hills Customer Service Centre using the details below. You will require proof of purchase. Any expenses incurred in making a claim under this warranty are not covered by the warranty.

This warranty does not apply to any defect or damage caused by accident, improper use, abuse, neglect, or unauthorised alteration or repair. This warranty does not apply where the product was not installed in accordance with the product installation instructions. This warranty does not apply to any costs incurred in the installation of the product.

## For products purchased in Australia

Our goods come with guarantees that cannot be excluded under the Australian Consumer Law. You are entitled to a replacement or refund for a major failure and compensation for any other reasonably foreseeable loss or damage. You are also entitled to have the goods repaired or replaced if the goods fail to be of acceptable quality and the failure does not amount to a major failure.

## For products purchased in New Zealand

Our goods come with guarantees that cannot be excluded under the Consumer Guarantees Act. AMES Australasia Pty Ltd will comply with our obligations to you under the Consumer Guarantees Act.

8

AMES Australasia Pty Ltd.  
ABN 89 169 427 061  
Level 1, 660 Doncaster Road,  
Doncaster, VIC 3108 Australia

# Introduction

## Congratulations

Congratulations on the purchase of your new **Hills Single Retracting Clothesline**, which will bring you many years of trouble free and efficient drying.

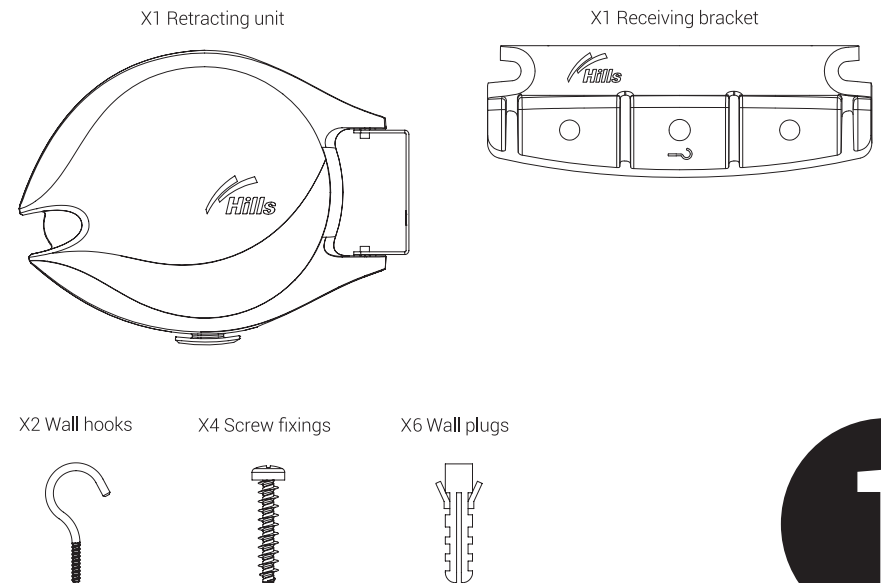
It is important that you read over this Owner's Manual thoroughly before installation and use. In this way you will benefit from all the design features and enjoy safe use of the product. Thank you for choosing Hills.

## Warning

- Do not allow children or pets to swing on the Clothesline or items of laundry.
- Do not use for any purpose other than to hang and dry washing.
- Do not use your Clothesline if parts are worn or damaged.
- Do not release the line mechanism when there are clothes attached to the lines.
- Do not allow lines to retract uncontrolled as this may lead to personal injury or property damage. Hold the clip securely and walk it back to the unit.

## Fig.1 Carton contents

Single line Retracting. (Figure 1)



1

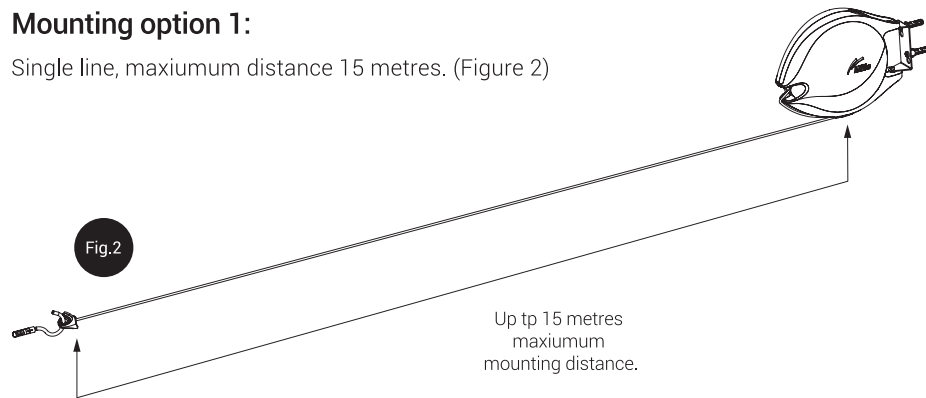
# Mounting Options

**\*Note:** This product must only be installed onto sound structural surfaces. If mounting to an external or internal cladded surface, ensure the wall fixings are securely fastened into a solid substrate, i.e wall studs etc. Consult your local hardware specialist for advice on which wall fixings are most suitable for your building structure.

There are two mounting options for your **Hills Single Retracting Clothesline**. Determine which mounting method is preferable for your installation and follow the instructions accordingly.

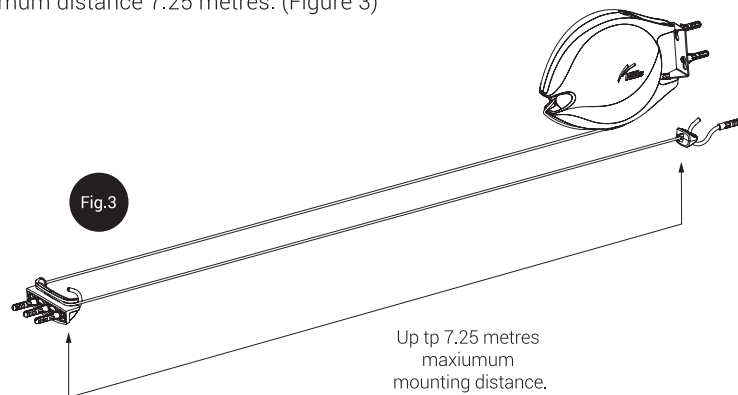
## Mounting option 1:

Single line, maximum distance 15 metres. (Figure 2)



## Mounting option 2:

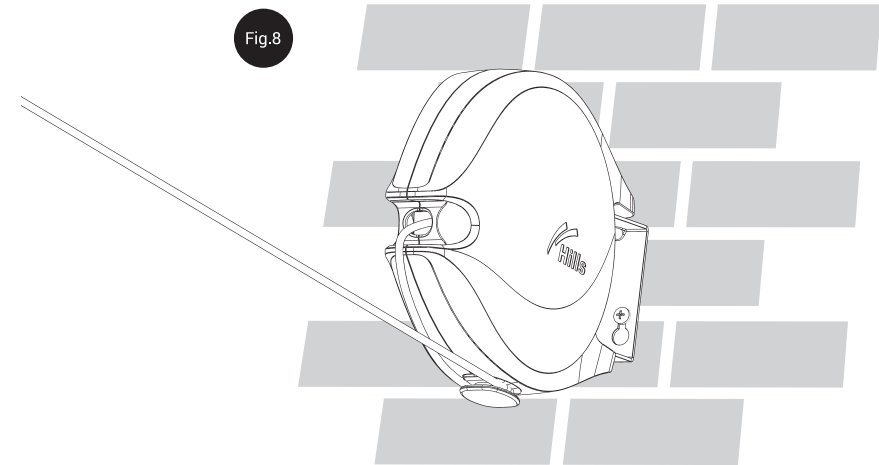
Double line, maximum distance 7.25 metres. (Figure 3)



2

# General Operation

- 1.1 Pull the line down and in a clockwise direction wrap the line around the Retracting unit tie-off cleat twice. Adjust accordingly until the line is taut. (Figure 8)

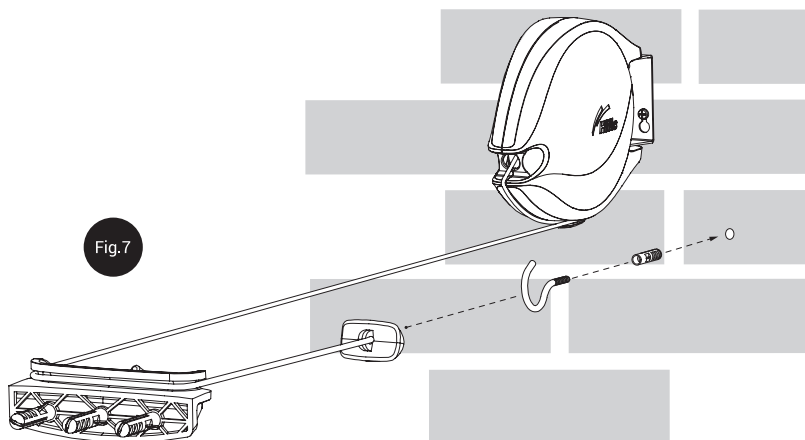


**WARNING:** The lines are under spring tension. Do not allow the lines to retract uncontrolled as this may lead to personal injury or property product/damage. Hold the line hook and walk it back to the cabinet.

**WARNING:** Do not release the locking mechanism when there are clothes attached to the lines.

7

- 3.3 Pull the line around the bracket, returning it to the wall the retracting unit is mounted on. Mark the location for retention hook ensuring lines are even by using a spirit level as a guide. Drill hole at marked positions. Insert wall plugs provided, screw retention hook into position. (Figure 7)

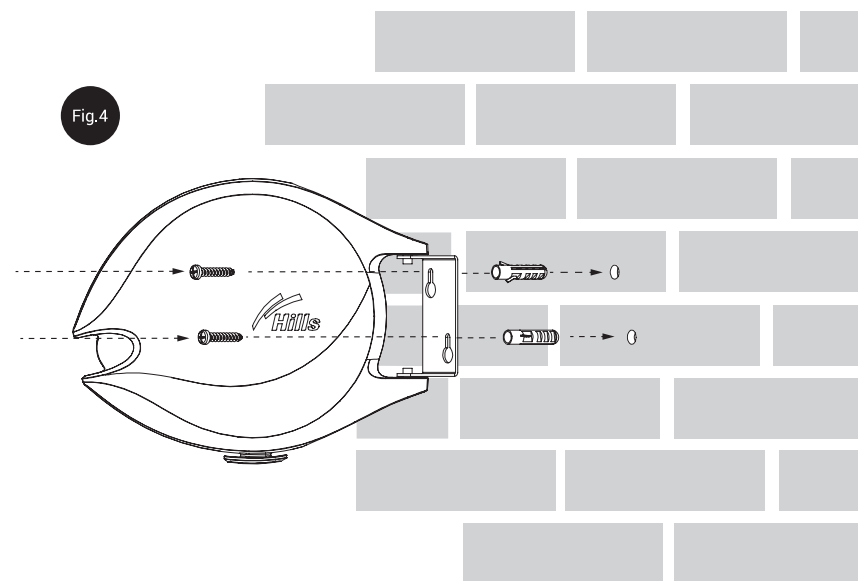


# Installation

## Mounting your retracting unit onto the wall

**\*Note:** The wall fixings included are for mounting to masonry materials only. For fixing to any other type of substrate other than masonry, consult your local hardware specialist for advice on which wall fixings are most suitable for your building structure.

- 1.1 Select the wall position allowing up to 1 metre clearance either side of the line. Using the holes in the retracting unit bracket mark the mounting hole positions on the wall. With a spirit level ensure the retracting unit is level. (Figure 4)
- 1.2 Drill the marked hole positions with an 8mm drill bit to a depth of 38mm. Insert the wall plugs provided and screw the retracting unit to the wall.



6

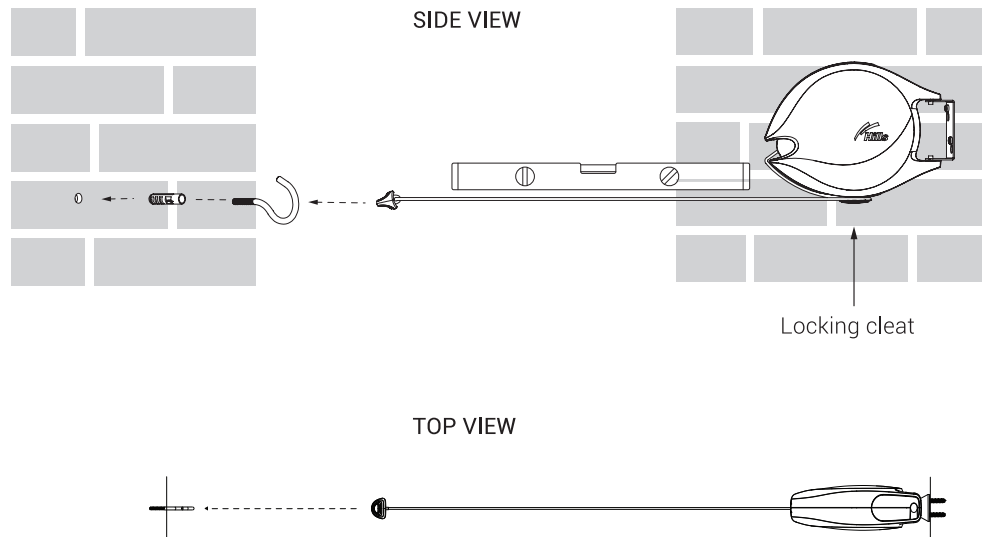
3

## Installation - Single line mounting option 1

\*Note: Maximum mounting distance is up to 15 metres. (See Figure 2)

- 2.1 Extend the line from the retracting unit to the desired location for the wall hook. Wrap the line around the locking cleat on the unit. Mark the hole position for the wall hook. Use a spirit level to ensure the line is level. (Figure 5)
- 2.2 Drill an 8mm hole at the marked position. Insert wall plug provided and screw wall hook in to the wall.

Fig.5



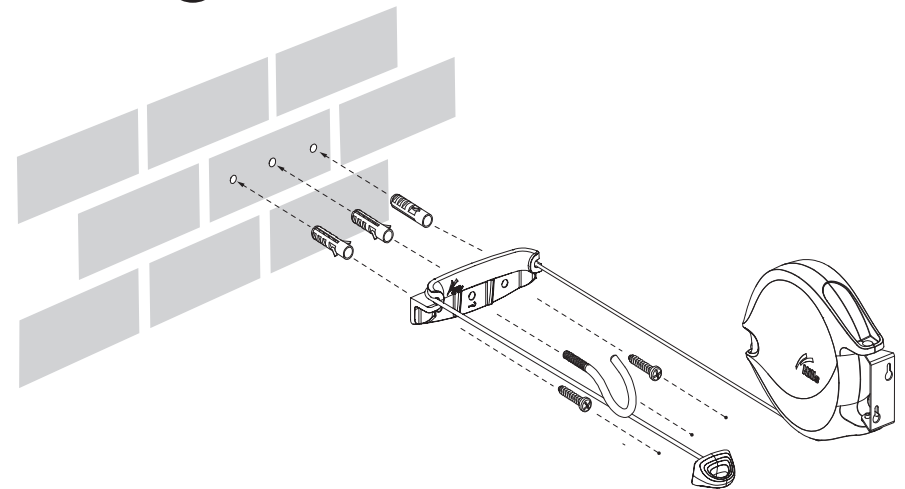
4

## Installation - Single line mounting option 2

\*Note: Maximum mounting distance is up to 7.25 metres. (See Figure 3)

- 3.1 Extend the line from the unit to the desired location for the receiving bracket. Wrap the line around the locking cleat on the unit. Use the receiving bracket as a guide to mark the fixing holes. Use a spirit level to ensure the holes are level. (Figure 6)
- 3.2 Drill the marked hole positions with an 8mm drill bit to a depth of 38mm. Insert the wall plugs provided and screw the receiving bracket to the wall.

Fig.6



5