

# Contacts

We are committed to providing you with complete customer satisfaction.  
If you have any questions or comments about our products or services please  
contact your nearest Customer Service Centre during their local business hours:

**Australia**  
1300 327 293

**New Zealand**  
0800 021 027

**Email**  
hills@amesau.com

**Hills Websites**

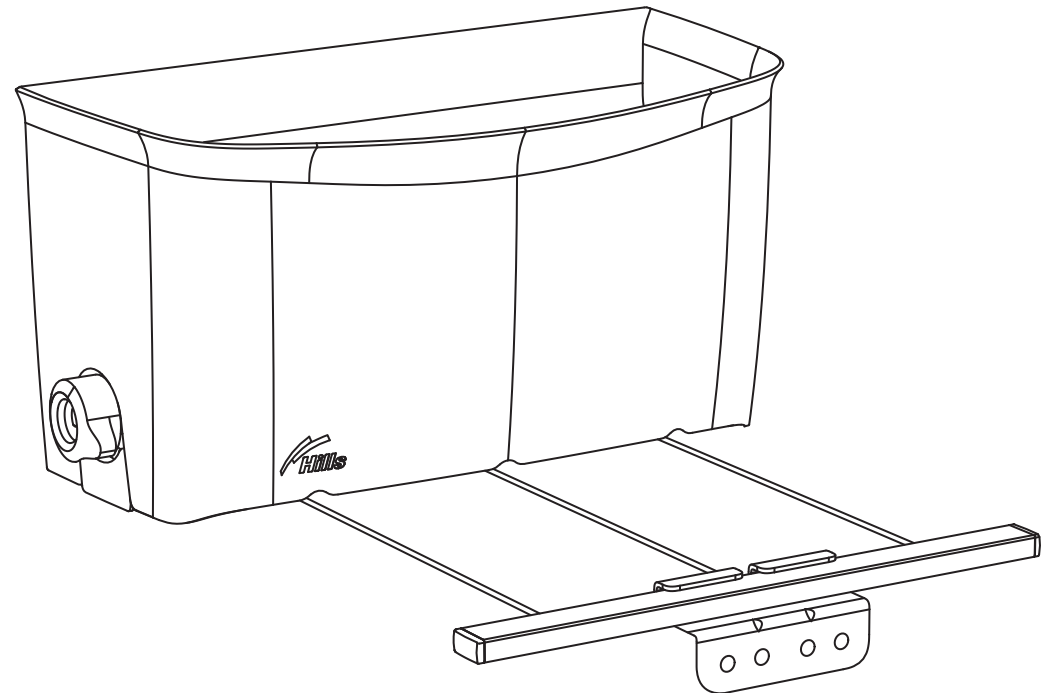
**Hills Home Living**  
hillshome.com.au

**Hills Consumer Advice**  
hillshome.com.au/need-help



## Planter Retracting Clothesline

Owner's Manual  
80150067



**Important** - Read this manual carefully before installation.



AMES Australasia Pty Ltd.  
ABN 89 169 427 061  
Issue January 2021

# Introduction

## Congratulations!

Congratulations on the purchase of your new **Hills Planter Retracting Clothesline**. It is important that you read this manual thoroughly before installation and use. In this way you will benefit from all the design features and enjoy safe use of the product. Thank you for choosing Hills.

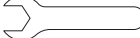
## Warning

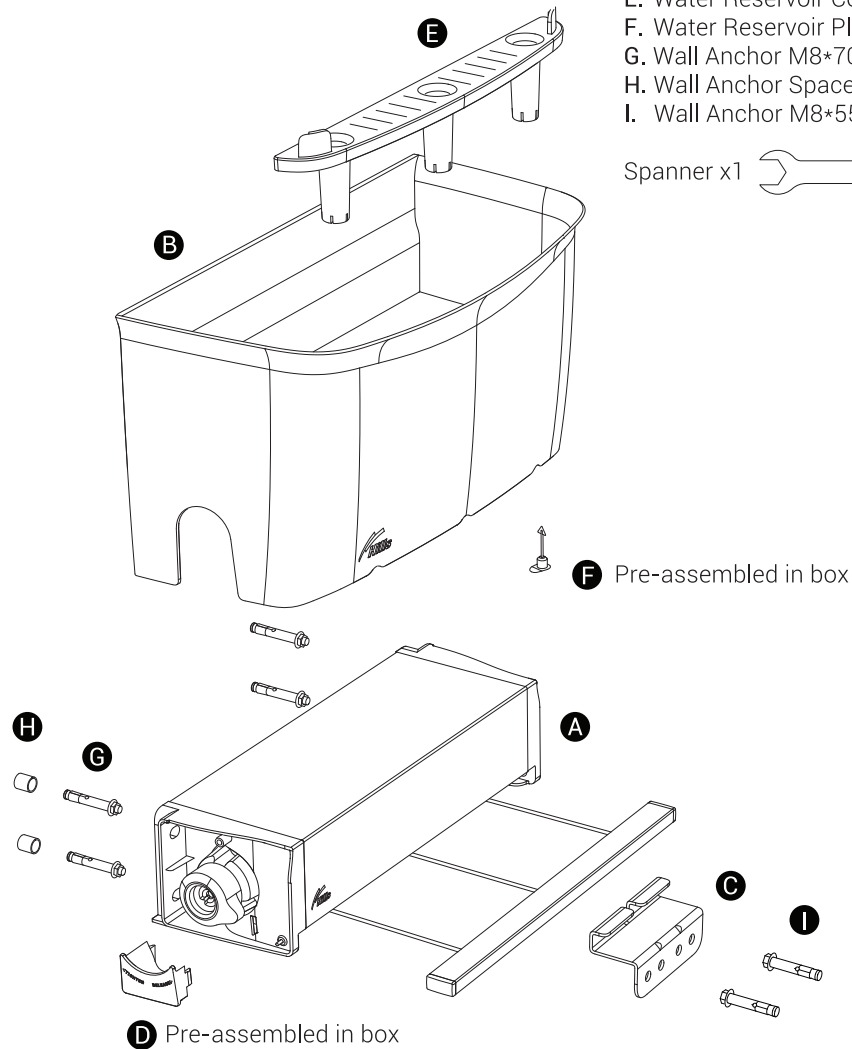
- Do not allow lines to retract uncontrolled as this may lead to personal injury or property damage. Hold the Line Bar securely and walk it back to the cabinet.
- Do not release the line when there are clothes hanging.
- Do not allow children or pets to swing on the Clothesline or items of laundry.
- Do not use for any purpose other than to hang and dry washing.
- Do not use your Clothesline if parts are worn or damaged.
- Please take extra care lifting when pot is full of soil.

## Carton Contents

Hills Planter Retracting Clothesline.

- A. Retracting Clothesline x1
- B. Planter Box x1
- C. Receiving Bracket x1
- D. Snap Fit Cover x1
- E. Water Reservoir Cover x1
- F. Water Reservoir Plug x1
- G. Wall Anchor M8\*70mm x4
- H. Wall Anchor Spacer x2
- I. Wall Anchor M8\*55mm x2

Spanner x1 



2

## Hills Warranty

AMES Australasia Pty Ltd warrants that this Hills product will be free from defects in manufacturing for the lifetime of the original purchaser of the product. This warranty does not extend to plastic hanging line or the surface finish of the product from weathering. If a defect covered by this warranty becomes evident during that period, AMES Australasia Pty Ltd will, at its option, replace the product, supply replacement parts for the product or refund the product. The cost or labour required to install any replacement part or product supplied under a valid warranty claim is not covered.

In the event of a defect covered by this warranty, you should contact the Hills Customer Service Centre using the details below. You will require proof of purchase. Any expenses incurred in making a claim under this warranty are not covered by the warranty.

This warranty does not apply to any defect or damage caused by accident, improper use, abuse, neglect, or unauthorised alteration or repair. This warranty does not apply where the product was not installed in accordance with the product installation instructions. This warranty does not apply to any costs incurred in the installation of the product.

### For products purchased in Australia

Our goods come with guarantees that cannot be excluded under the Australian Consumer Law. You are entitled to a replacement or refund for a major failure and compensation for any other reasonably foreseeable loss or damage. You are also entitled to have the goods repaired or replaced if the goods fail to be of acceptable quality and the failure does not amount to a major failure.

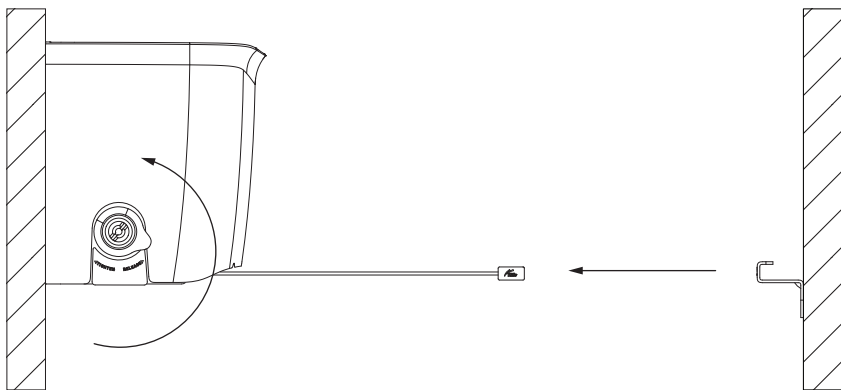
### For products purchased in New Zealand

Our goods come with guarantees that cannot be excluded under the Consumer Guarantees Act. AMES Australasia Pty Ltd will comply with our obligations to you under the Consumer Guarantees Act.

ABN 89 169 427 061  
Level 1, 660 Doncaster Road,  
Doncaster, VIC 3108 Australia

13

- 5.3** To unlock and store the line, rotate the Locking Dial anti clockwise until it can't be rotated further. Retrieve the line from receiving bracket and walk it back into the clothesline ensure all lines are evenly retracted. Slide beneath the clothesline until it is being held into its designated slot.



- 5.4** To remove excess water from your unit, pull on the Water Reservoir Plug on the underside of the unit. Once water has drained, return the Water Reservoir Plug. It is Ok to have the plug permanently removed.
- 5.5** To re plant your pot, use a sidestep to allow for adequate height. Alternatively raise the pot off the unit – Two people are required.

# Installation

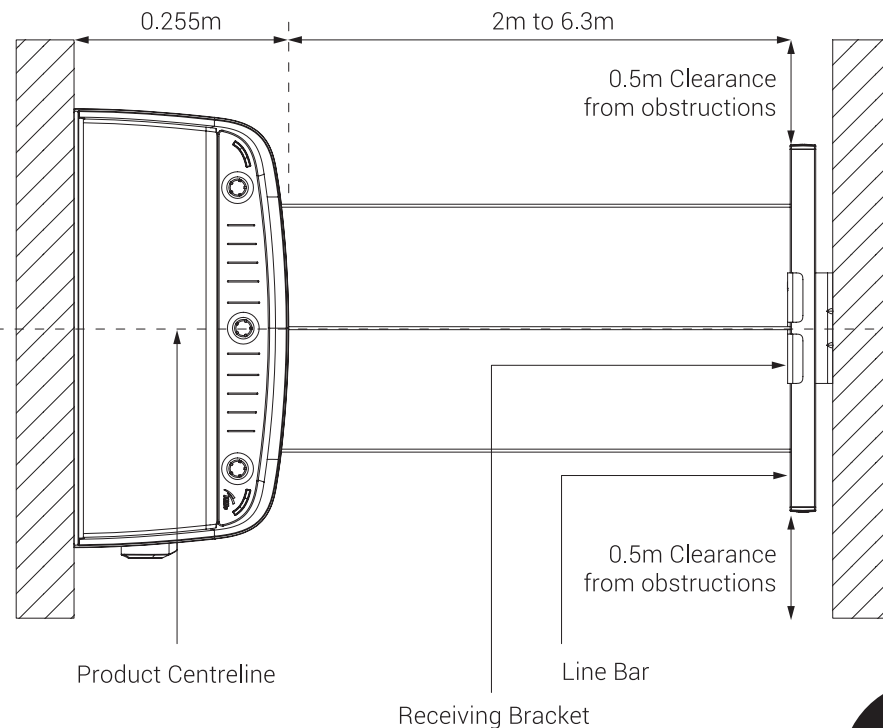
## Important! Read before installing.

This product must only be installed between two structurally sound surfaces. The wall anchors supplied are for mounting to masonry materials only (e.g. brick or stone). Do not use the supplied wall anchors if mounting to a different surface. Consult your local hardware store or installer for advice on appropriate fixings for your substrate if unsure.

## Part 1 - Select a suitable location

Ensure the installation surface is flat and even. Ensure the installation surfaces are directly parallel. If not parallel, the line tension will be inconsistent once installed. Always allow 0.5m clearance (Figure 1) The maximum installation width is 6.3m. (Figure 1)

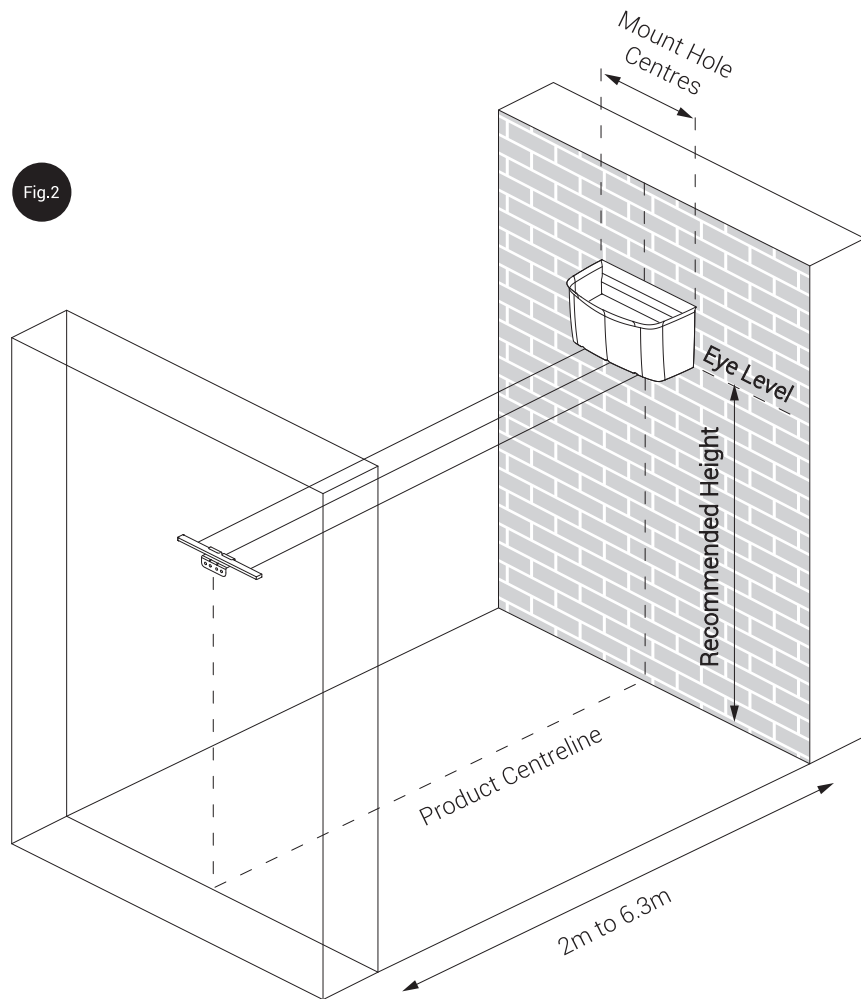
Fig.1



## Part 2 - Mark and drill cabinet hole centres

For optimum use, we recommend installing so the bottom of the clothesline box sits at the user's eye level. Please however ensure to additionally consider the aesthetic of the planter on your wall when deciding the installation height. (Figure 2)

Fig.2

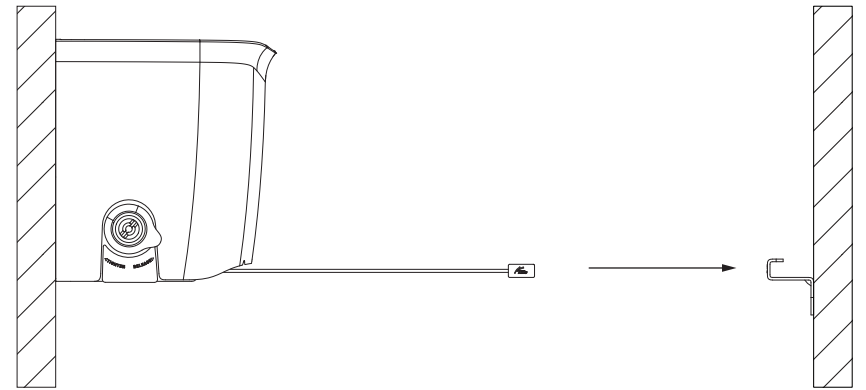


4

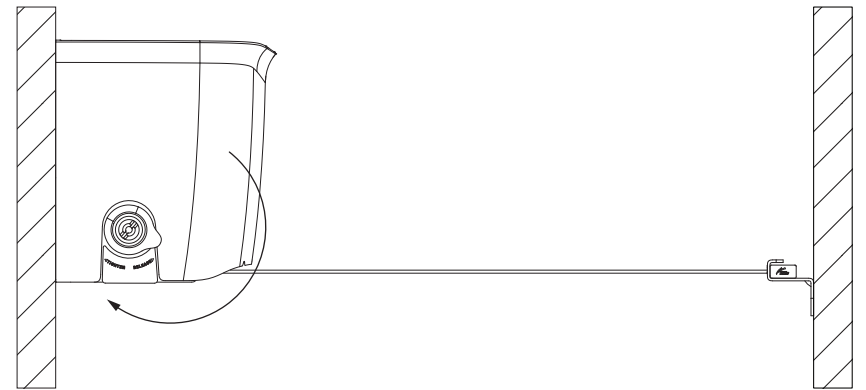
## Part 5 - Using your clothesline

**WARNING:** Do not release the Locking Dial when there are clothes attached to the lines.  
**WARNING:** The lines are under spring tension. Do not allow the Line Bar and lines to retract uncontrolled as this may lead to personal injury or property product/damage. Hold the Line Bar securely and walk it back to the cabinet.

- 5.1 To extend the clothesline pull the Line Bar out from beneath the unit and place into the Receiving Bracket.

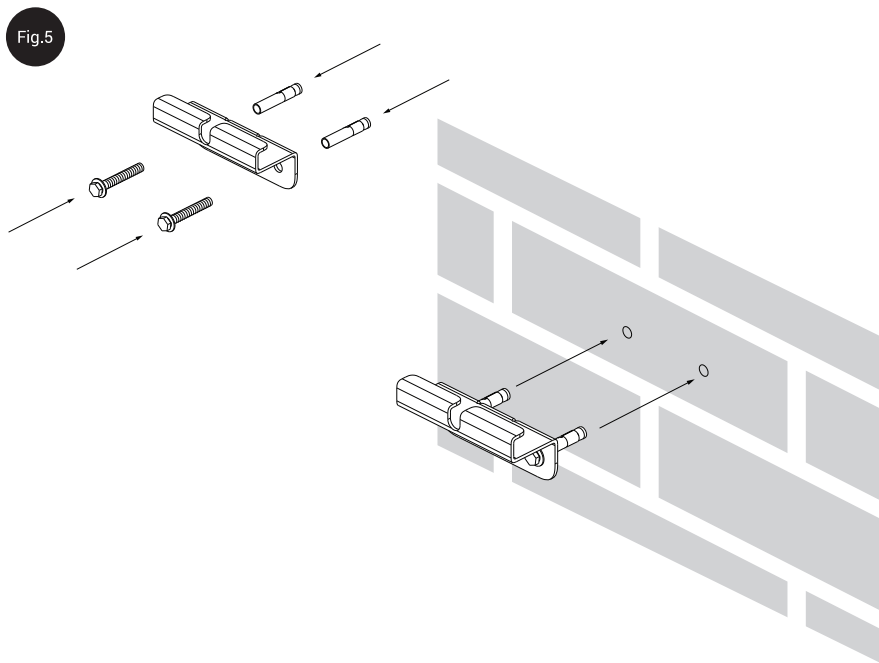


- 5.2 Tighten the Locking Dial clockwise until a clicking sound is heard. Rotate until an adequate tension is achieved. The line is ready for clothes to be hung.

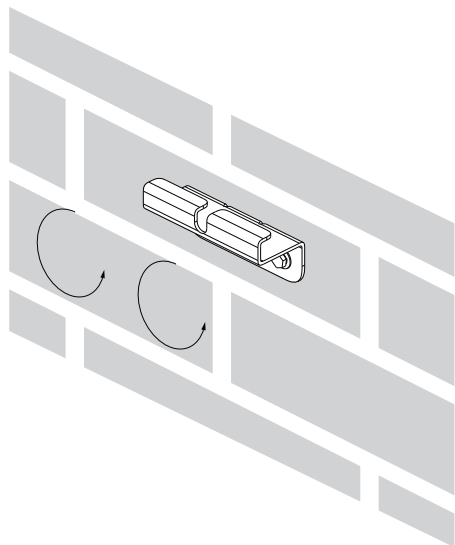


11

**4.4** Attach both M8\*55mm Wall Anchors M8\*55mm to the Retaining bracket and insert into the drilled holes. (Figure 5)

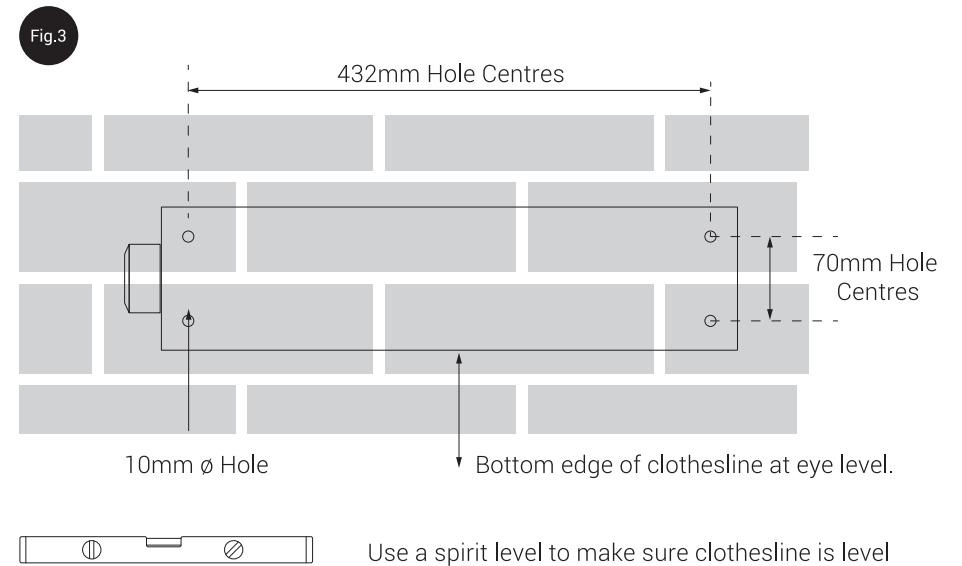


**4.5** Using the spanner, tighten all nuts until the retaining bracket is secured firmly to the wall.



**4.5** Tighten Wall Anchor bolts with spanner.

**2.1** Using a spirit level, draw a straight line at the recommended eye level height and space the hole centres at 432mm apart. Measure 70mm up from here and mark the locations for the remaining holes. Using a spirit level make sure holes are square horizontal and vertically. Place the unit against the wall and ensure the holes are centred and correct. (Figure 3)



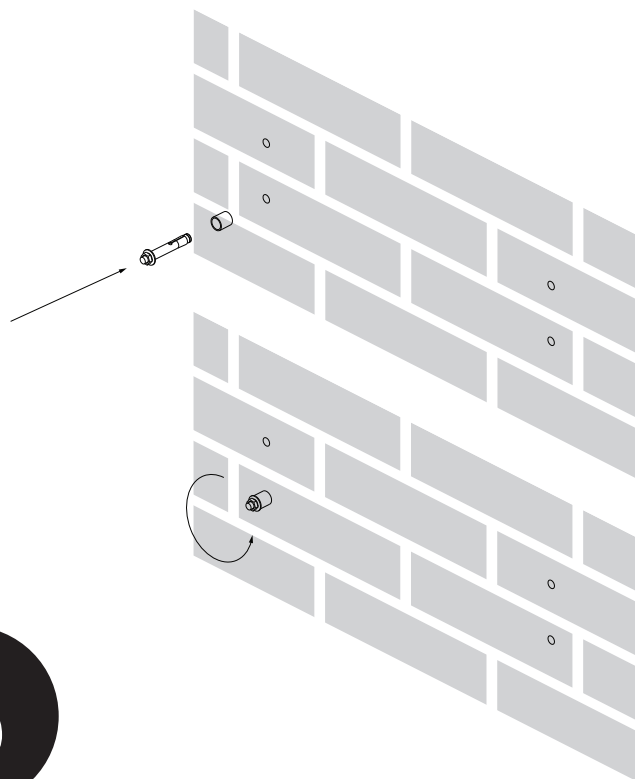
**2.2** If using the supplied masonry wall anchors, use a 10mm masonry drill bit to drill the holes. Depth of drill holes should be approx. 60mm. If using alternative fixings, proceed as appropriate to those fixings.

### Part 3 - Install the cabinet

If using the wall anchors supplied, follow as per below. If using alternative fixings, follow method appropriate for those fixings.

**Note:** It's important to use the Wall Anchor Spacer when installing the bolts to ensure the unit will fit securely onto the fixings. Don't tighten the bolts in place without using the spacer.

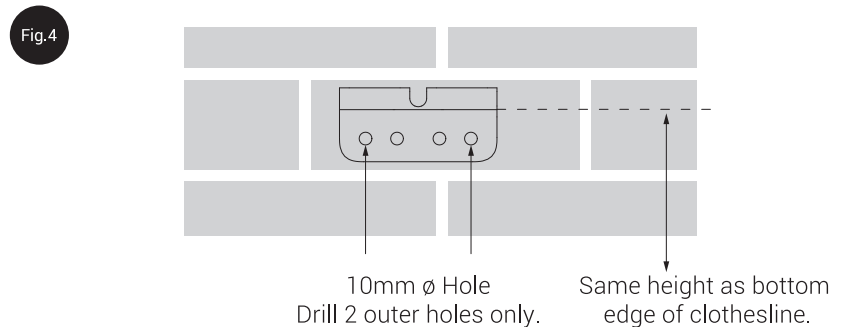
- 3.1 Place the M8\*70mm Wall Anchor bolt into the spacer and push it into the first hole. A mallet or hammer may be needed to lightly tap it into place.
- 3.2 Using a spanner tighten the nut until the bolt is firmly held into the wall. Final tightening can be done once the unit is installed.
- 3.3 Remove the nut, washers and the spacer.
- 3.4 Using the spacer again, install the remaining bolts ensuring they protrude from the wall.



6

### Part 4 - Secure the Receiving Bracket

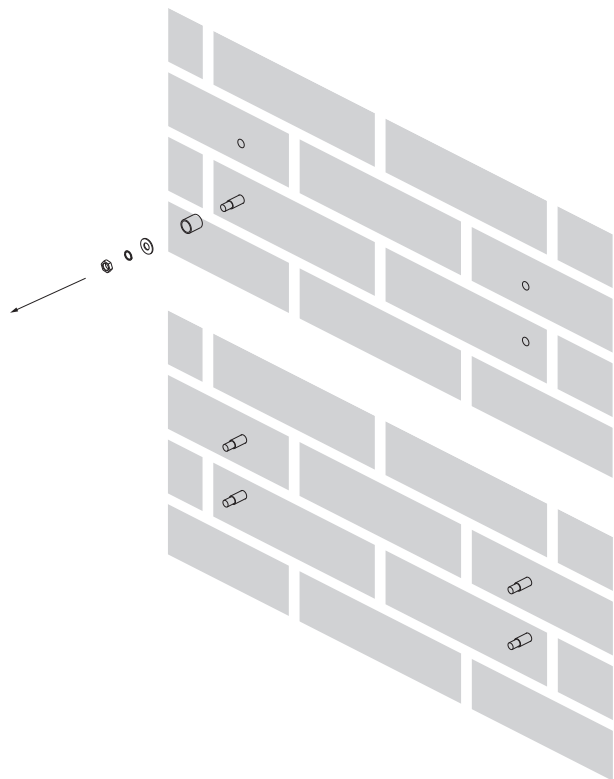
- 4.1 On the opposing wall, using the receiving bracket as a guide, mark the 2 outer hole centres on your pre-determined centre line at the desired height. (Figure 2)
- 4.2 Use a tape measure to ensure the hole centres are level vertically with the proposed line height. If not level, the effectiveness of the units tensioning will be impacted. (Figure 4)



Use a spirit level to make sure clothesline is level

- 4.3 If using the supplied M8\*55mm Wall Anchors, use a 10mm masonry drill bit to drill the holes. Depth of drill holes should be approx. 60mm. If using alternative fixings, proceed as appropriate to those fixings.

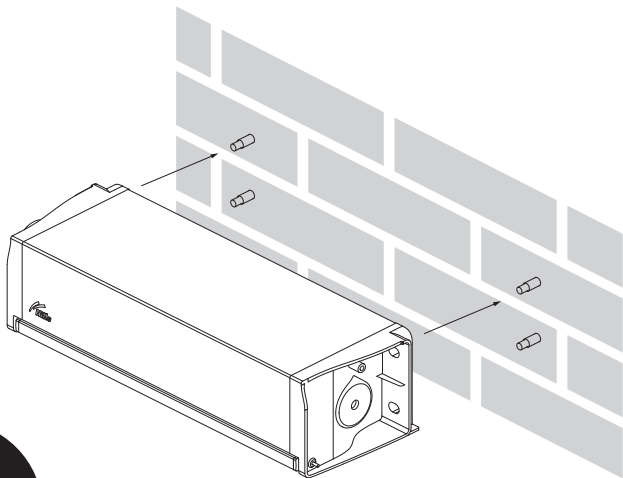
9



**3.3** Remove Nut, washers and spacer.

**3.4** Repeat first 3 steps with remaining 3 Wall Anchors.

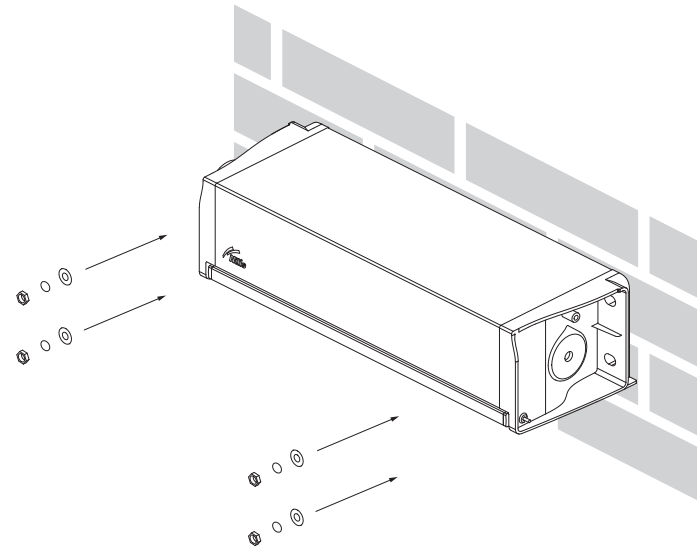
**3.5** Slide the unit onto the bolts and hold in place while you attach the nuts.



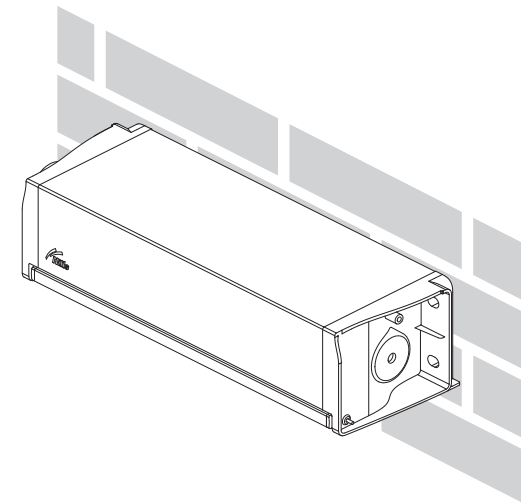
**3.5** Mount Clothesline to Wall Anchors.

**3.6** Using the spanner, tighten all nuts until the unit is secured firmly to the wall. The Snap Fit Cover can be removed to create more space when tightening all the nuts.

**3.7** Press the Snap Fit Cover into place until it is fixed to the unit. Place the Planter Box on top of the unit and slide it into place.



**3.6** Attach and fasten nuts and washers.



**3.7** Installed Clothesline.

**7**

**8**