

# Contacts

We are committed to providing you with complete customer satisfaction.  
If you have any questions or comments about our products or services please  
contact your nearest Customer Service Centre during their local business hours:

**Australia**  
1300 300 564

**New Zealand**  
0800 021 027

**Email**  
[hhl.enquiries@amesau.com](mailto:hhl.enquiries@amesau.com)

#### Hills Websites

**Hills Home Living**  
[hillshome.com.au](http://hillshome.com.au)

**Hills Consumer Advice**  
[hillshome.com.au/need-help](http://hillshome.com.au/need-help)

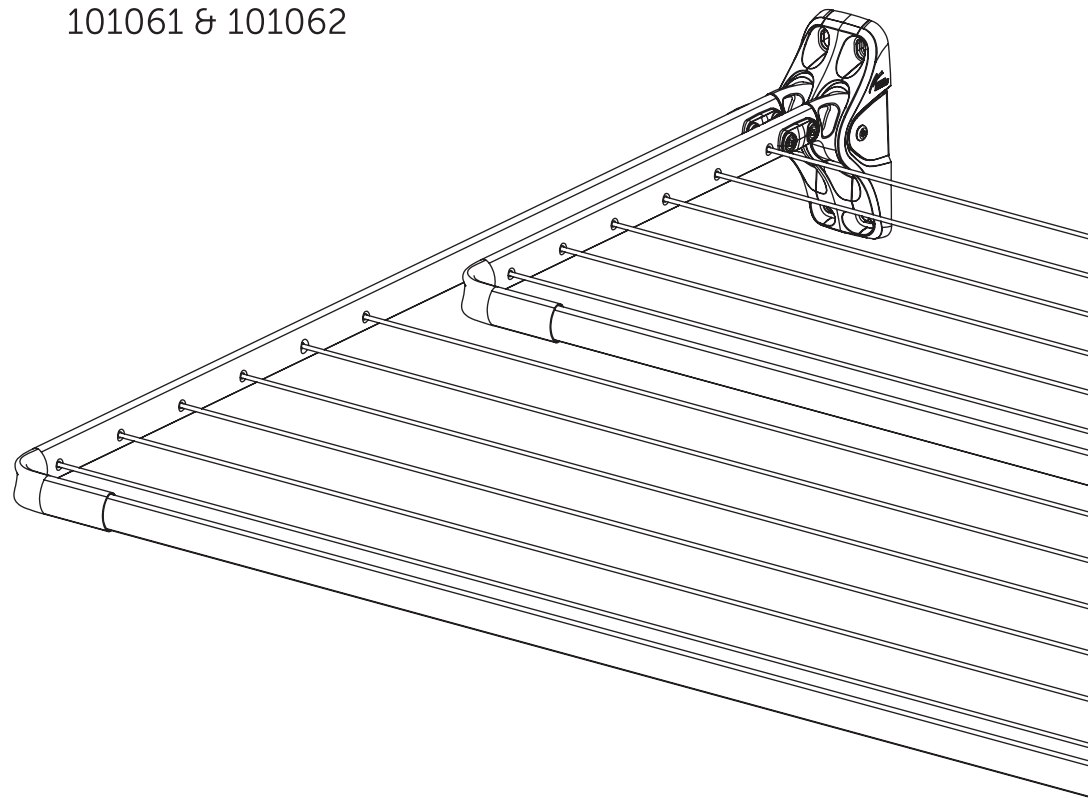


AMES Australasia Pty Ltd.  
ABN 89 169 427 061  
Issue August 2019



## Double Folding Frame Clothesline

Owner's Manual  
101061 & 101062



# Hills Lifetime Warranty

AMES Australasia Pty Ltd warrants that this Hills product will be free from defects in manufacturing of the frame and lifting mechanisms for the lifetime of the original purchaser of the product. This warranty does not extend to plastic hanging line or the surface finish of the product from weathering. If a defect covered by this warranty becomes evident during that period, AMES Australasia Pty Ltd will, at its option, replace the product, supply replacement parts for the product or refund the product. The cost or labour required to install any replacement part or product supplied under a valid warranty claim is not covered.

In the event of a defect covered by this warranty, you should contact the Hills Customer Service Centre using the details below. You will require proof of purchase. Any expenses incurred in making a claim under this warranty are not covered by the warranty.

This warranty does not apply to any defect or damage caused by accident, improper use, abuse, neglect, or unauthorised alteration or repair. This warranty does not apply where the product was not installed in accordance with the product installation instructions. This warranty does not apply to any costs incurred in the installation of the product.

## For products purchased in Australia

Our goods come with guarantees that cannot be excluded under the Australian Consumer Law. You are entitled to a replacement or refund for a major failure and compensation for any other reasonably foreseeable loss or damage. You are also entitled to have the goods repaired or replaced if the goods fail to be of acceptable quality and the failure does not amount to a major failure.

## For products purchased in New Zealand

Our goods come with guarantees that cannot be excluded under the Consumer Guarantees Act. AMES Australasia Pty Ltd will comply with our obligations to you under the Consumer Guarantees Act.

18

AMES Australasia Pty Ltd.  
ABN 89 169 427 061  
Level 1, 660 Doncaster Road,  
Doncaster, VIC 3108 Australia

# Introduction

## Congratulations!

Congratulations on the purchase of your new **Hills Double Folding Frame Clothesline**, which will bring you many years of trouble free and efficient drying.

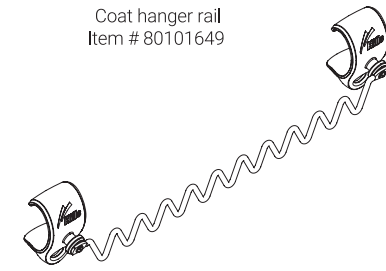
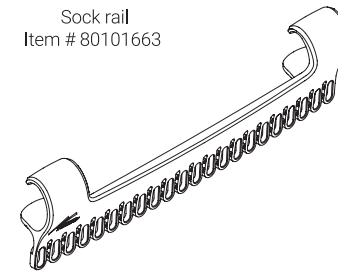
Your **Hills Double Folding Frame Clothesline** can be either wall or post mounted. If you are planning to post mount, you will need to purchase a post kit (sold separately - item code 101079 or 101080).

It's important that you read this Owner's Manual thoroughly before installation to benefit from the design features and enjoy safe use of this product. Thank you for choosing Hills.

## Warning

- Do not allow children or pets to swing on the Clothesline or items of laundry.
- Do not use for any purpose other than to hang and dry washing.
- Do not use your Clothesline if parts are worn or damaged.

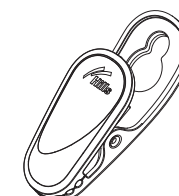
\* Get the most out of your Hills product with our additional accessories sold separately.



Accessory clip  
Item # 80101656



Sheet and towel peg  
Item # 80101670



Line cleaner  
Item # 80101632

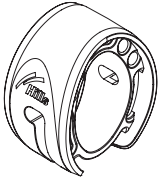


1

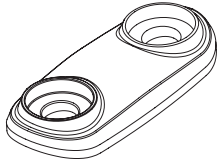
## Carton contents

Hills Double Folding Frame Clothesline.

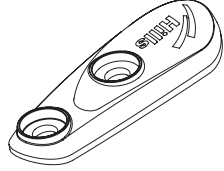
X2 Line tie off clips



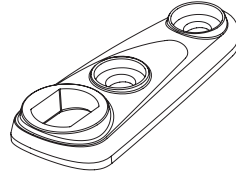
X6 Bolt bushes



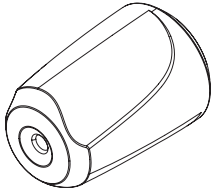
X2 Line tensioner bolt bushes



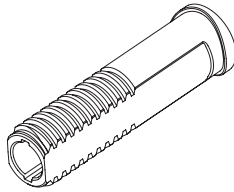
X2 Line tensioner guides



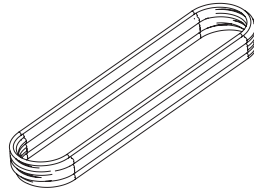
X2 Line tensioner dials



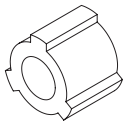
X2 Line tensioner threaded inserts



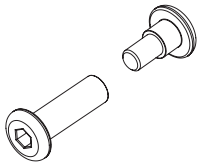
X2 Lines



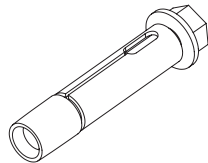
X2 Line tensioner sliding inserts



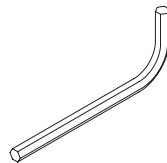
X10 Chicago bolts



X8 Wall fixings M8x70

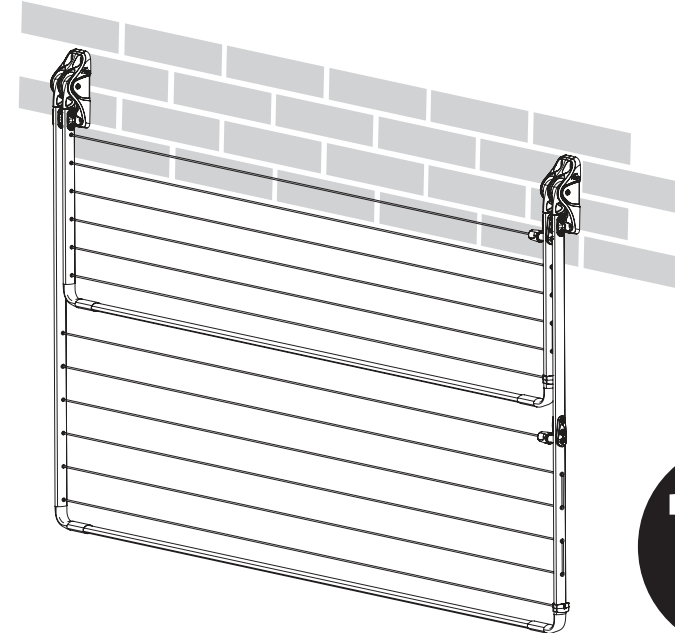
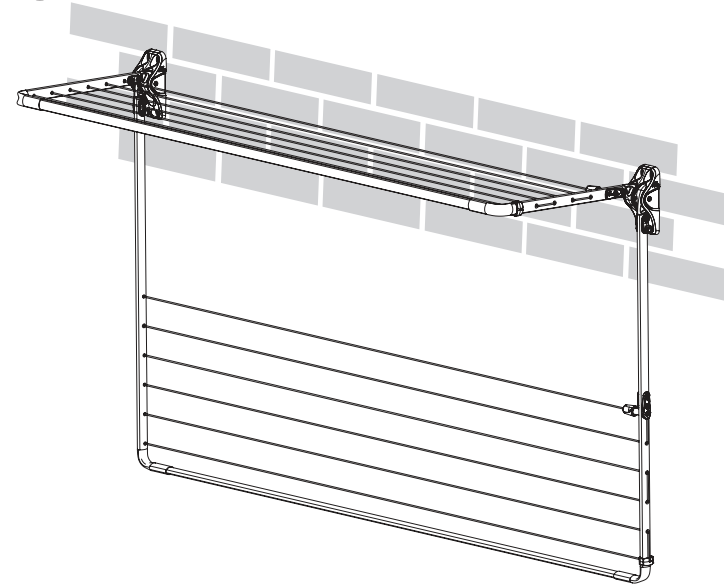


X2 Hex keys



4.3 Holding each frame, guide to its closed position. (Figure 20)

Fig.20

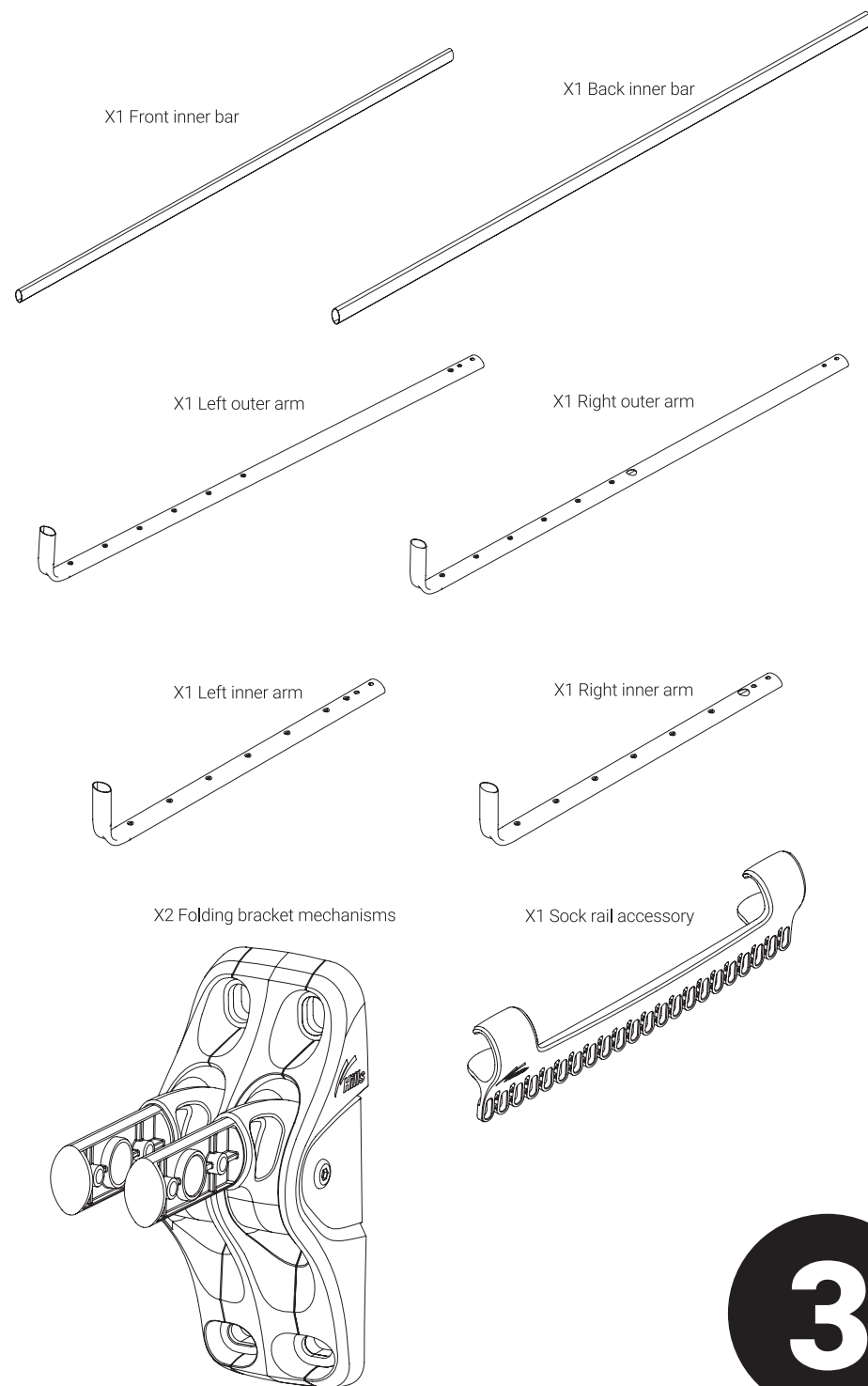
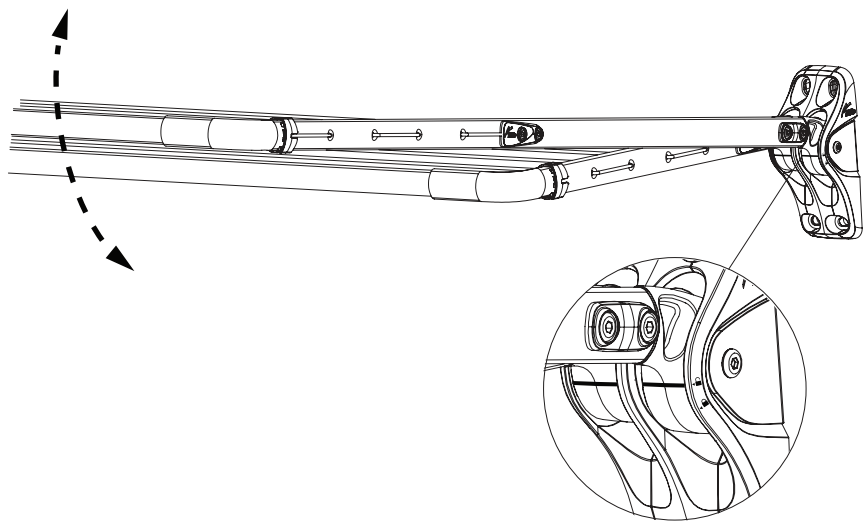


2

17

4.2 To lower either of the frames, grip in the middle and raise slightly above your head until you hear the folding bracket 'click' and the folding bracket indicator is in the unlocked position. (Figure 19)

Fig.19



# Mounting Options

**\*Note:** This product must be installed onto sound structural surfaces. If mounting to a cladded surface, ensure the wall fixings are securely fastened into a solid substrate i.e wall studs etc. Consult your local hardware specialist for advice on which wall fixings are most suitable for your particular building structure.

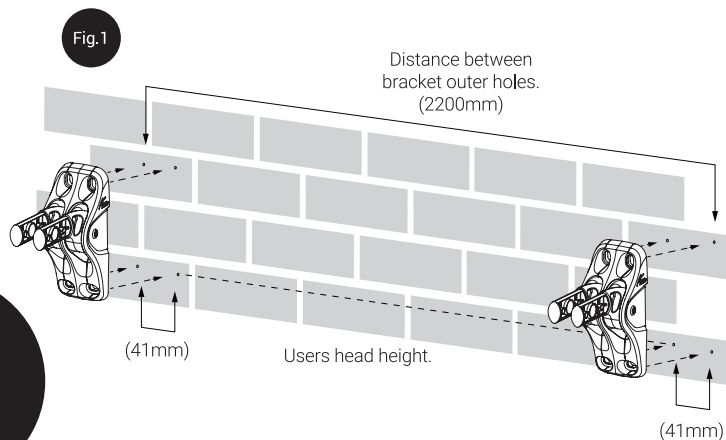
This product should either be installed onto a sound structural surface or it can be mounted to a ground mount post kit. If you choose to mount your **Double Folding Frame Clothesline** onto a post kit, the following products are available:

- 101079 – Folding frame post kit dune
- 101080 – Folding frame post kit woodland grey

## Mounting your folding clothesline to masonry walls

**\*Note:** The wall fixings included are for mounting to masonry materials only. For fixing to any other type of substrate, consult your local hardware specialist for advice on which wall fixings are most suitable.

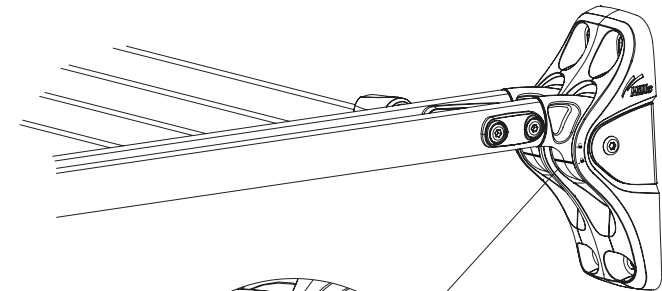
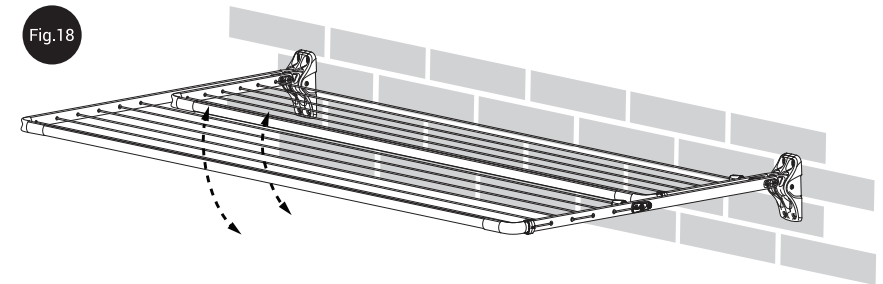
- 1.1 Hold the first bracket against the wall and use it as a template to mark where to drill the holes. Mark in the centres of the slots. Use a spirit level to ensure markings are vertical. We recommend the lowest mounting bolt is aligned with the user's head height.
- 1.2 Measure 2200mm from the first mounted bracket outer hole to identify the appropriate mounting distance for the second bracket. Mark the hole centres for the second bracket. Ensure the hole centres for both brackets are horizontal. (Figure 1)



4

## Operating the folding clothesline

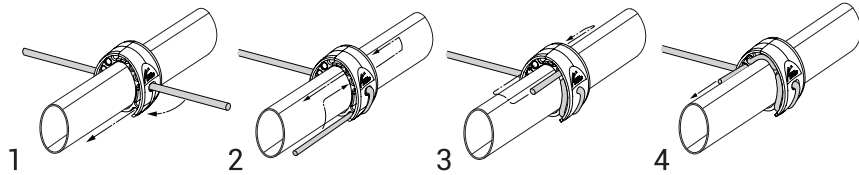
- 4.1 To raise and lock either of the frames, grip in the middle and lift upwards until you hear the folding bracket 'click', and the folding bracket indicator is in the locked position. (Figure 18)



15

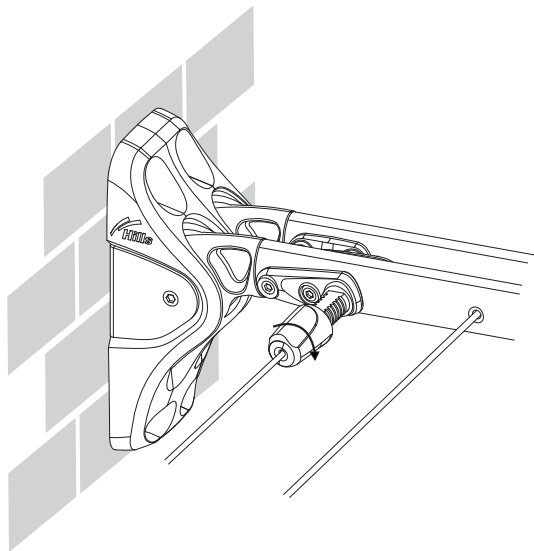
3.4 Once the line has been installed feed the line end through the tie off clip while keeping tension. Wrap the line around the collar and pass through the first hole. Pull the remaining line through the second hole. (Figure 16)

Fig.16



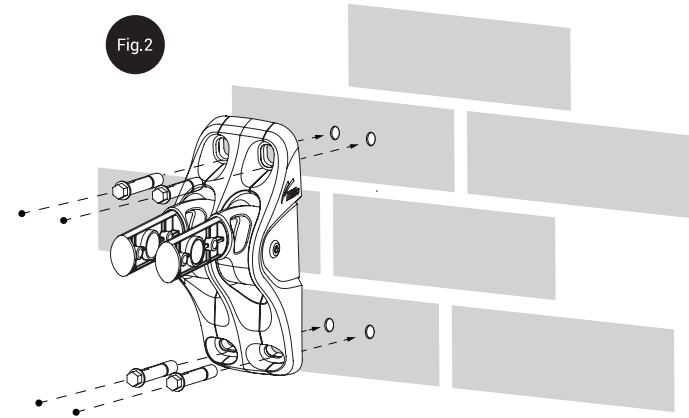
3.5 To tension the line, rotate the line tension dial in a clockwise direction until the lines are taut. (Figure 17)

Fig.17



1.3 Drill the holes on the marked points with a 10mm diameter masonry drill bit. Clean the holes free from debris and dust before mounting the two folding brackets to the wall with the wall fixings provided. (Figure 2)

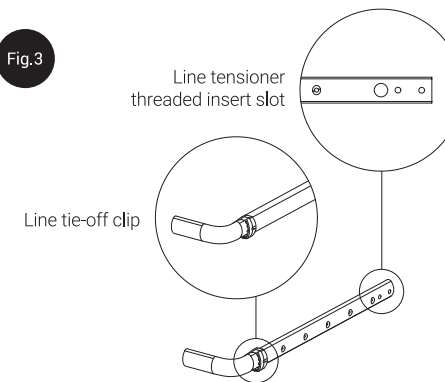
Fig.2



### Mounting your folding clothesline to masonry walls

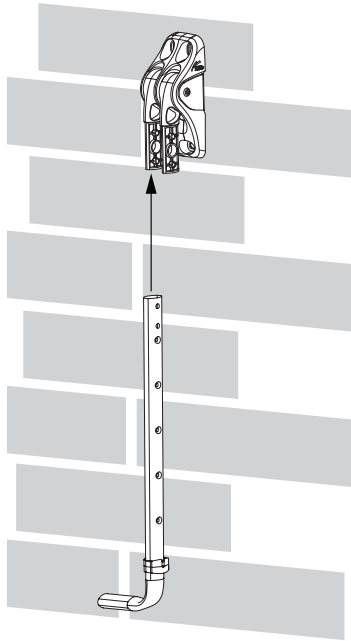
2.1 Slide one of the line tie off clips onto the right inner arm. Ensure it is the correct arm - it is a short one with a large hole for the line tensioner. (Figure 3)

Fig.3



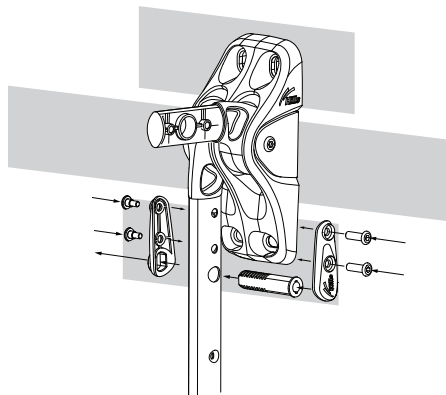
2.2 Ensure the mounted brackets are in the unlocked position. Insert the right inner arm into the inner right side bracket. (Figure 4)

Fig.4



2.3 Whilst holding the inner right arm in position, insert the line tensioner threaded insert through the hole on the right arm. Insert the Chicago bolts through the line tensioner guide and bolt bush, and tighten into position with the provided hex keys. (Figure 5)

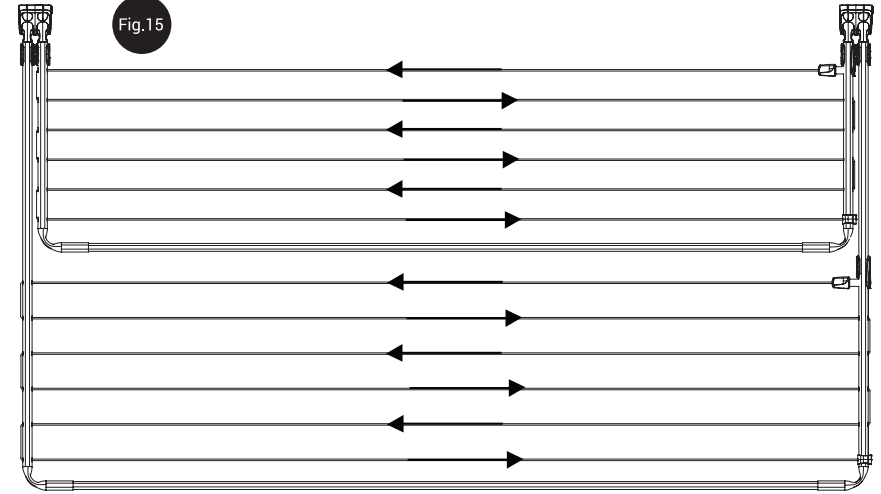
Fig.5



Right side

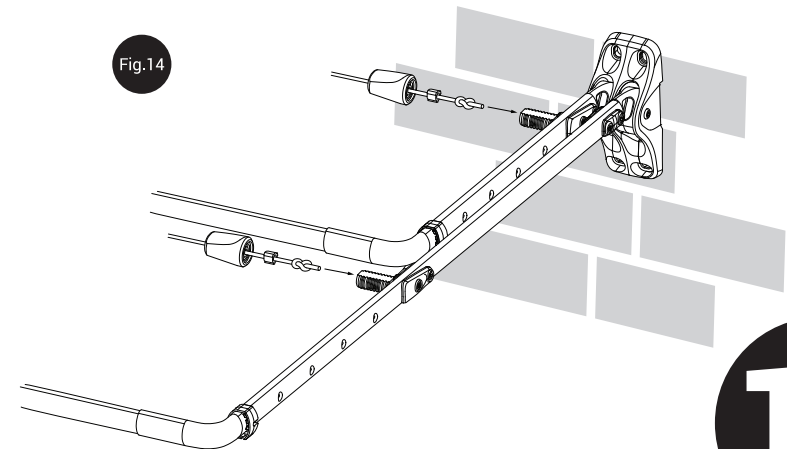
3.3 Feed the line through the clothesline in alternating directions keeping tension as you go. (Figure 15)

Fig.15



3.2 Feed the line through the line tensioner dial and sliding insert; then tie a simple small knot. Slide the knotted line into the threaded sleeve and tighten the dial onto the threaded insert. Tighten only two turns, allowing sufficient thread to tension later. Repeat for both line tensioners. (Figure 14)

Fig.14

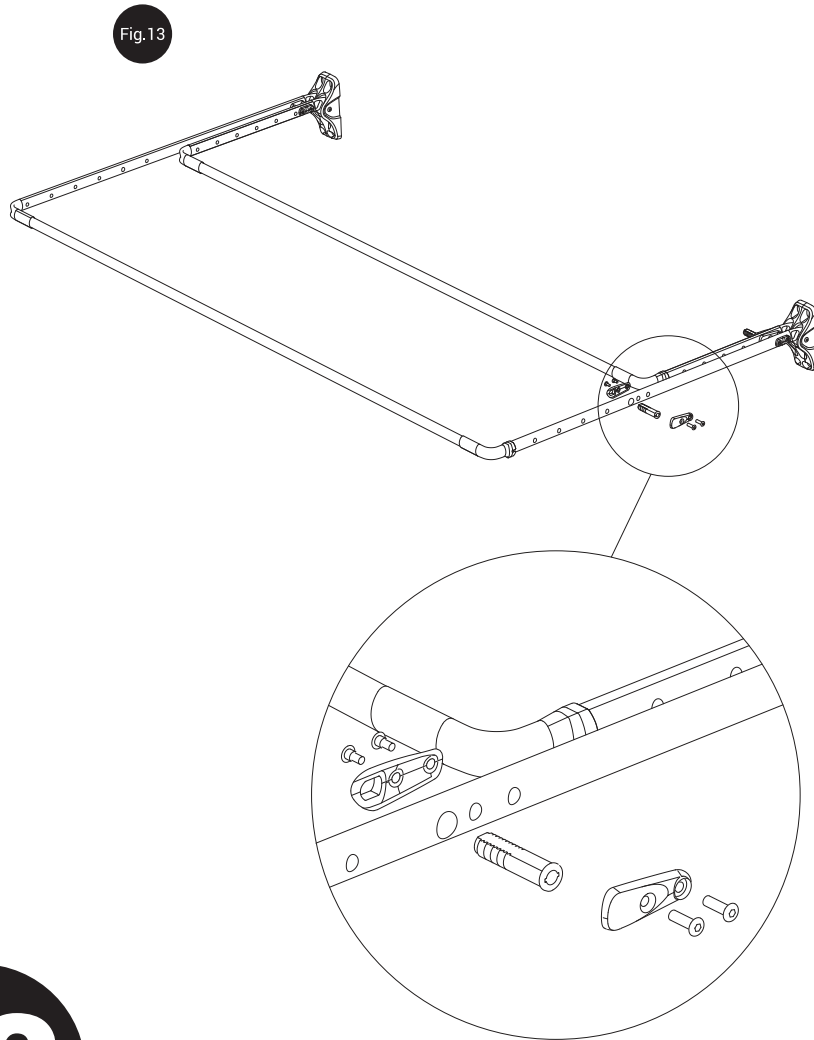


6

13

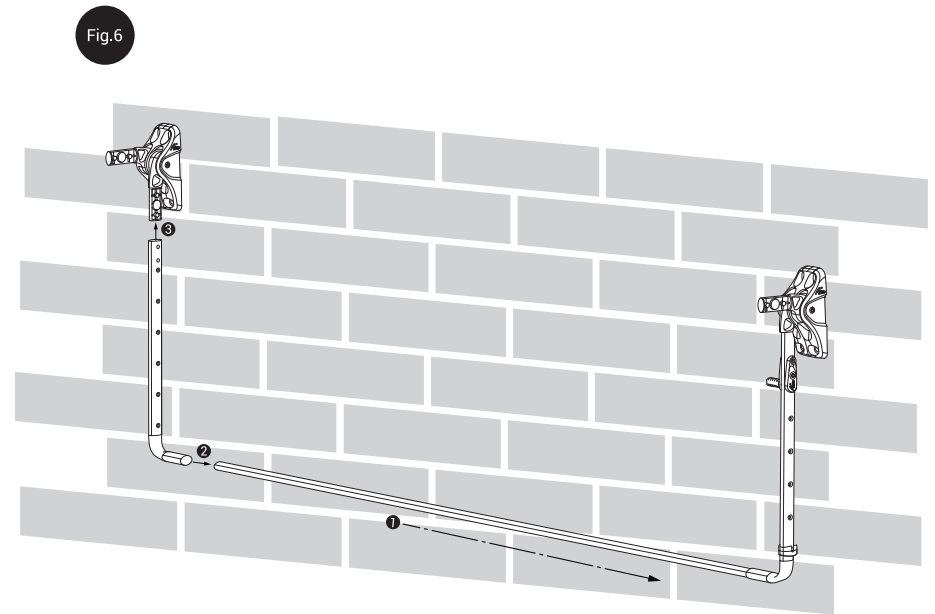
## Attaching the line

- 3.1 Using the remaining line tensioning components, install the second line tensioner on the right arm of the outer frame. (Figure 13)



- 2.4 Before assembling further, place the inner left arm near the left wall bracket for easy access. Slot the inner front bar into the inner right arm (1). While holding the inner front bar, collect the inner left arm and slot it onto the inner front bar (2). Now, while still supporting the assembly, guide the inner left arm onto inner the left bracket assembly (3). (Figure 6)

**WARNING:** Once the front bar is slotted into the right arm, it is critical to keep the weight of this assembly supported. Do not leave it unsupported until Step 2.5 is complete.



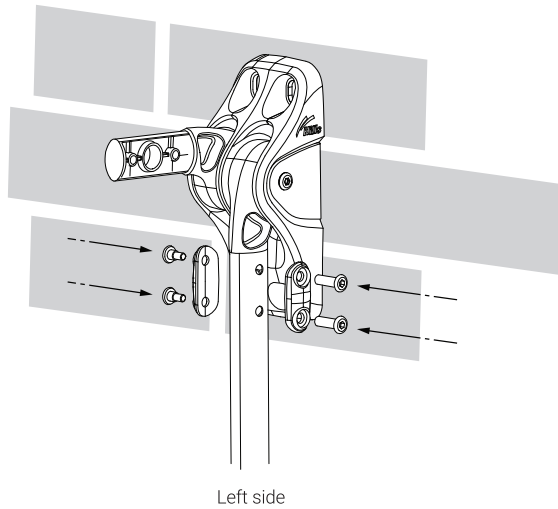
12

7



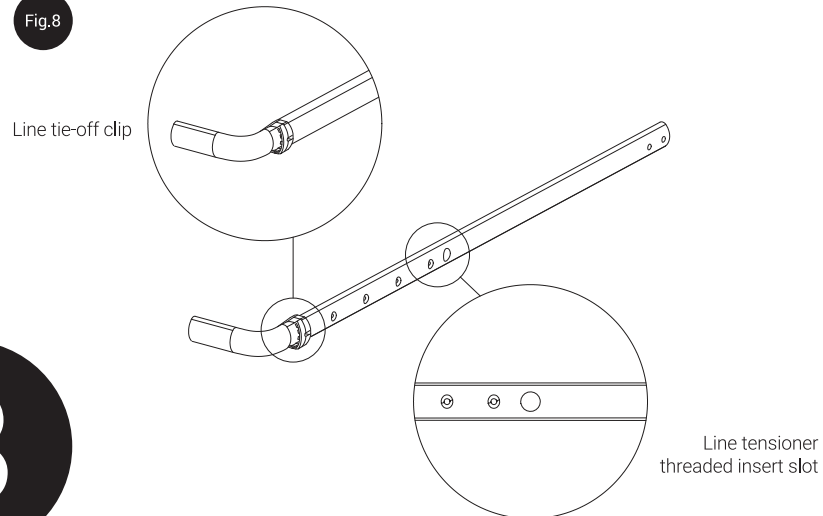
- 2.5 Whilst holding the frame in position, insert the Chicago bolts through the plastic bolt bushes on the inner left hand arm, and tighten into position. (Figure 7). After tightening the bolts, lift the assembled inner frame into the 'up' position.

Fig.7



- 2.6 Slide the line tie off clip onto the outer right arm - this is the longer arm with the slot for the line tensioner insert. (Figure 8)

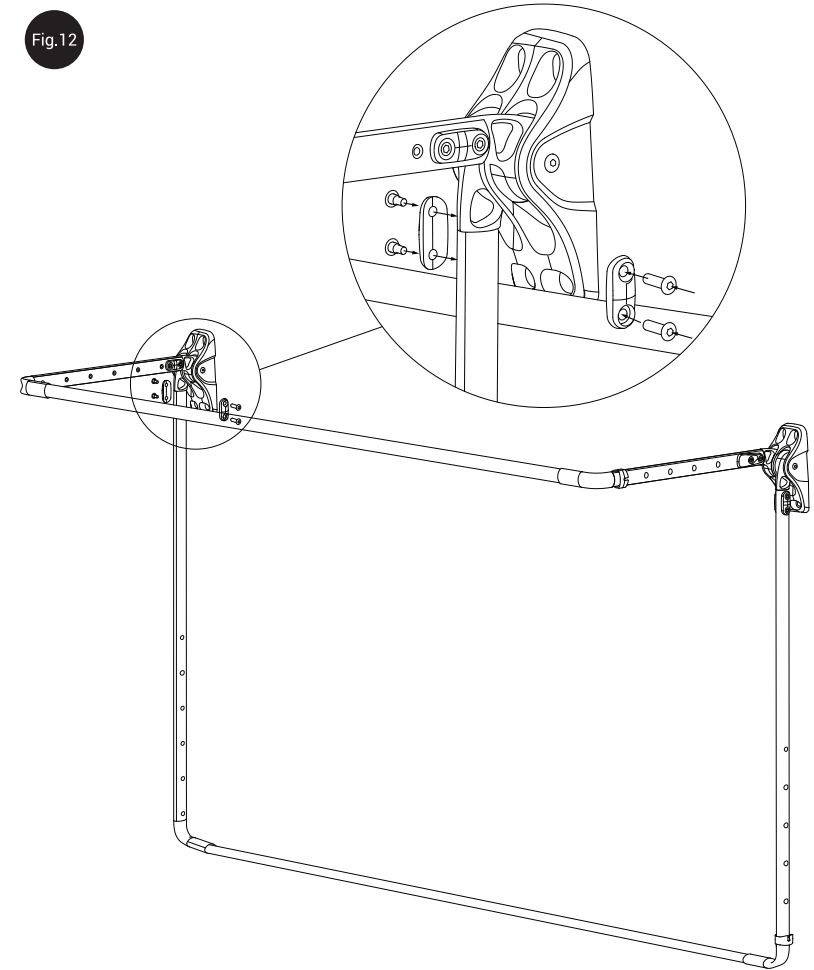
Fig.8



8

- 2.10 Whilst holding the frame in position, insert the Chicago bolts through the plastic bolt bushes on the outer left hand arm, and tighten into position. (Figure 12). After tightening the bolts, lift the assembled outer frame into the 'up' position.

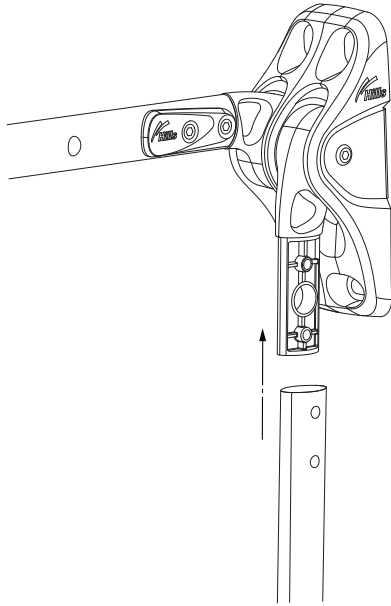
Fig.12



11

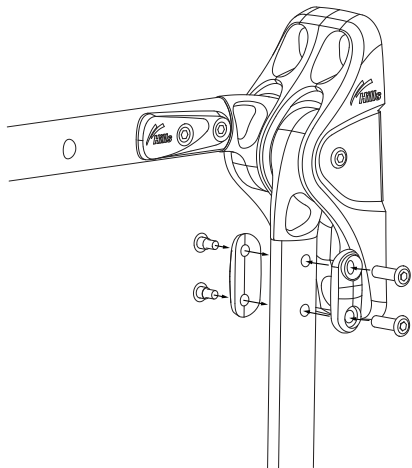
- 2.7 Ensure the outer mounted brackets are in the unlocked position. Insert the outer right-hand side arm into the outer right-hand side bracket. (Figure 9)

Fig.9



- 2.8 Whilst holding the outer right arm in position, insert two Chicago bolts through the plastic bolt bushes and tighten using provided hex keys. (Figure 10)

Fig.10

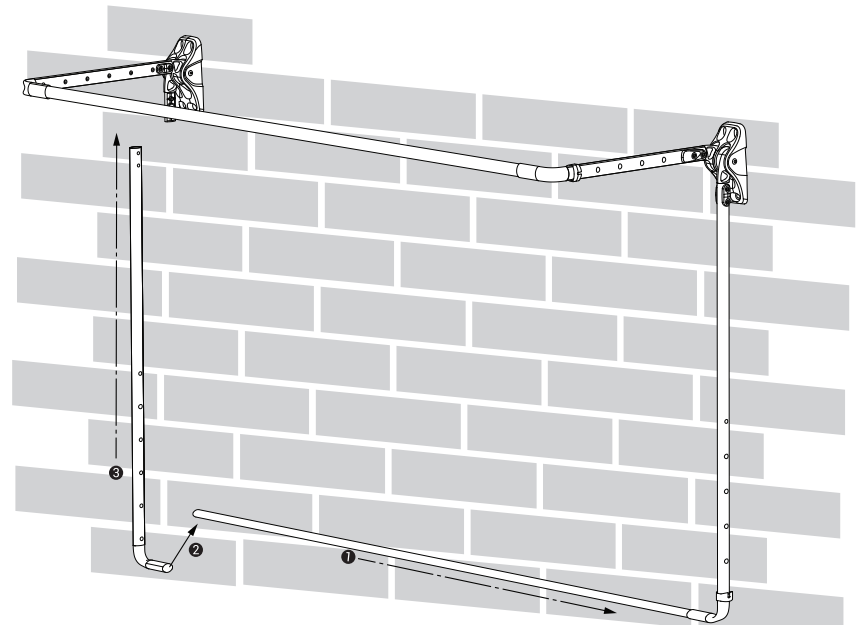


9

- 2.9 Before assembling further, place the outer left arm near the left wall bracket for easy access. Both outer brackets should be in the 'unlocked' position. Slot the outer front bar into the outer right arm (1). While holding the outer front bar, collect the outer left arm and slot it onto the outer front bar (2). Now, while still supporting the assembly, guide the outer left arm onto outer the left bracket assembly (3). (Figure 11)

**WARNING:** Once the front bar is slotted into the right arm, it is critical to keep the weight of this assembly supported. Do not leave it unsupported until Step 2.10 is complete.

Fig.11



10